

brother

**SINGLE NEEDLE LOCK STITCH UNISON FEED SEWING MACHINE
EINZELNADEL-VERRIEGELUNGSSTICHNÄHMASCHINE MIT NADELTRANSPORT
MACHINE À POINT PIQURE, UNE AIGUILLE AVEC ENTRAÎNEMENT TRIPLE COMBINÉ
MÁQUINA DE TRANSPORTE DE AGUJA ÚNICA RIBETeadora DE DOBLE
PESPUNTE**

LS2-B837

**PARTS BOOK
TEILEKATALOG
LIVRE DES PIECES
LIBRO DE REFERENCIA DE PIEZAS**

P837302

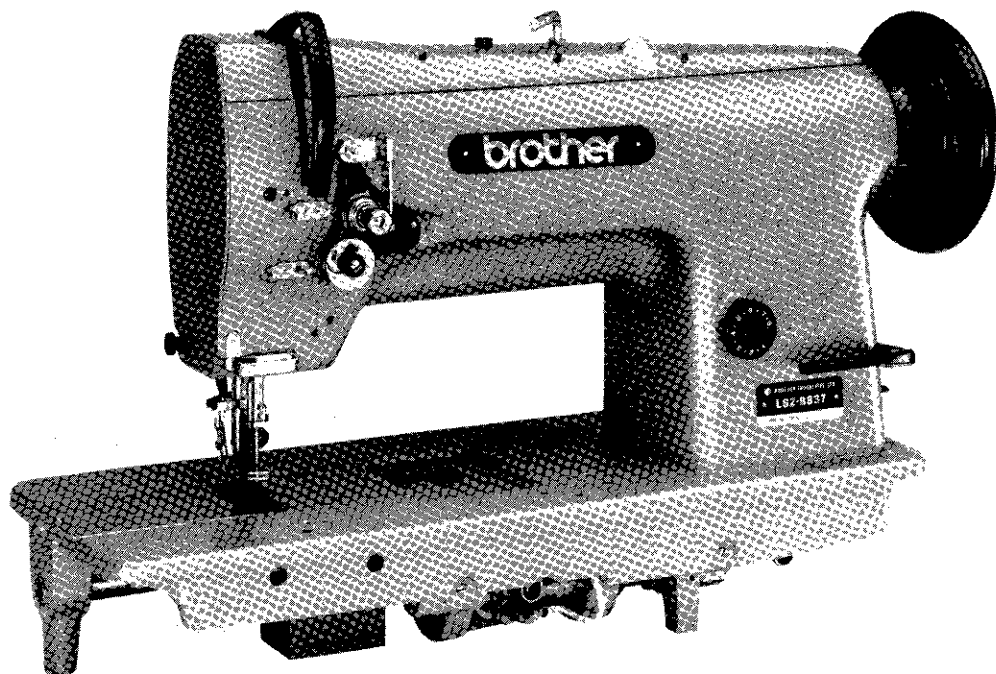


TABLE DES MATIERES

A. Corps de la machine.....	1
B. Mécanisme de Jénfilage	2
C. Mécanisme de l'arbre supérieur	3
D. Mécanisme de balancement de la barre à aiguille	4
E. Mécanisme de l'entraînement supérieur	5
F. Mécanisme du pied presseur	6
G. Mécanisme de l'entraînement	7
H. Pièces d'écartement	8
J. Mécanisme de l'arbre entraînement	8
K. Mécanisme du crochet rotatif	9
L. Mécanisme de l'arbre inférieur	10
M. Lubrification (1)	11
M. Lubrification (2)	12
N. Mécanisme de coupe-fill (-300)	13
P. Mécanisme de relâche-tension (-300)	14
Q. Mécanisme de interrupteur de marche arrière rapide (-300)	14
R. Mécanisme de marche arrière rapide (-300)	15
S. Synchronisateur (-300)	16
Z. Accessoires (1)	17
Z. Accessoires (2)	18
Liste des pièces d'écartement	19
INDEX	21

INDICE

A. Denominación del mecanismo	1
B. Mécanismo de la enhebrado	2
C. Mécanismo de la eje superior	3
D. Mécanismo de oscilación de la barra de aguja ...	4
E. Mécanismo de la alimentación superior	5
F. Mécanismo del prensa telas	6
G. Mécanismo de la alimentación	7
H. Piezas calibradoras	8
J. Mécanismo de la eje alimentación	8
K. Mécanismo del cangrejo	9
L. Mécanismo de la eje inferior	10
M. Lubricación (1)	11
M. Lubricación (2)	12
N. Mécanismo de recortadora de orillos (-300)	13
P. Mécanismo de liberador de tensión (-300)	14
Q. Mécanismo de conmutador de inversión rápida (-300)	14
R. Mécanismo de inversión rápida (-300).....	15
S. Sincronizador (-300)	16
Z. Accesorios (1)	17
Z. Accesorios (2)	18
Lista de piezas calibradoras.....	19
INDICE	21

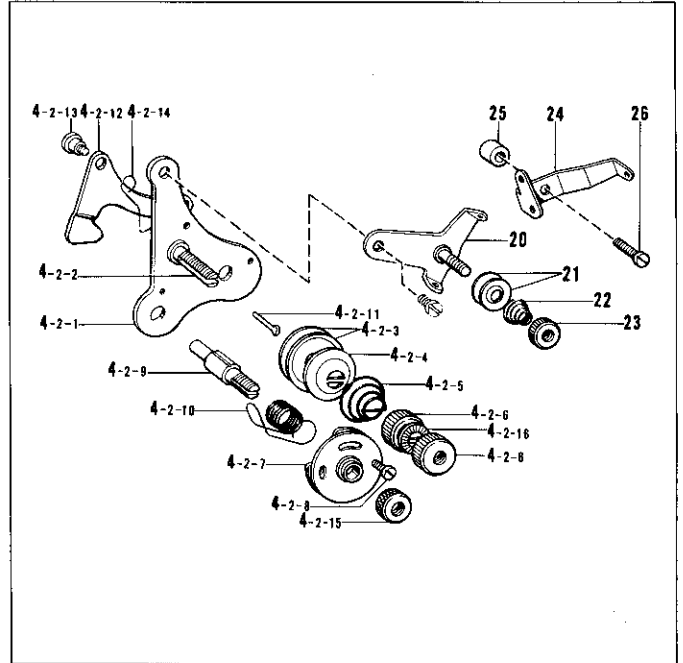
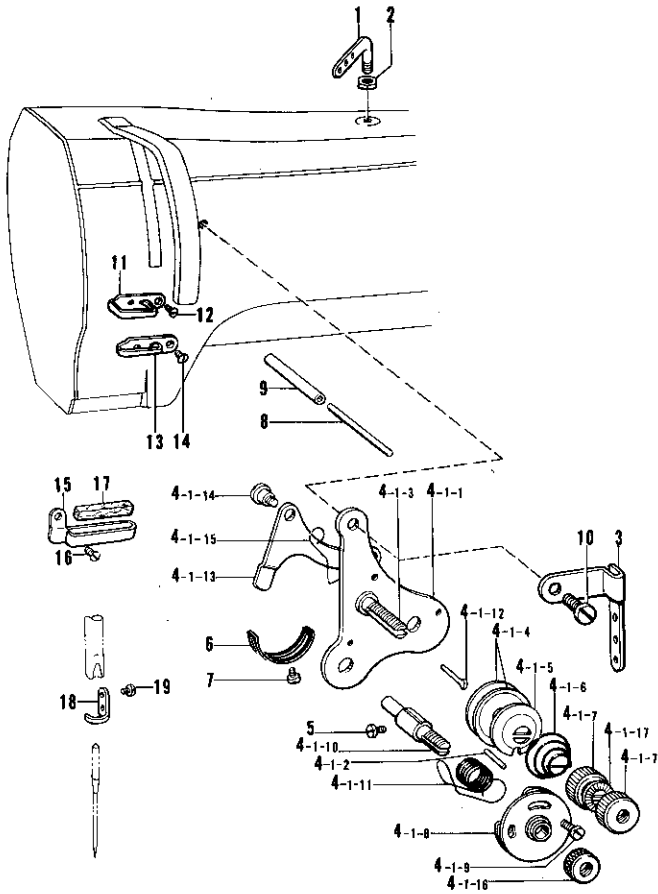
CONTENTS

A. Machine body	1
B. Threading mechanism.....	2
C. Upper shaft mechanism.....	3
D. Needle bar rocking mechanism	4
E. Upper Feed Mechanism	5
F. Presser foot mechanism	6
G. Feed mechanism	7
H. Gauge parts mechanism	8
J. Feed shaft mechanism	8
K. Rotary hook mechanism	9
L. Lower shaft mechanism	10
M. Lubrication (1)	11
M. Lubrication (2)	12
N. Thread trimmer mechanism (-300)	13
P. Tension release mechanism (-300)	14
Q. Quick reverse switch mechanism (-300)....	14
R. Quick reverse mechanism (-300)	15
S. Synchronizer (-300)	16
Z. Accessories (1)	17
Z. Accessories (2)	18
Gauge parts list	19
INDEX.....	21

INHALTSVERZEICHNIS

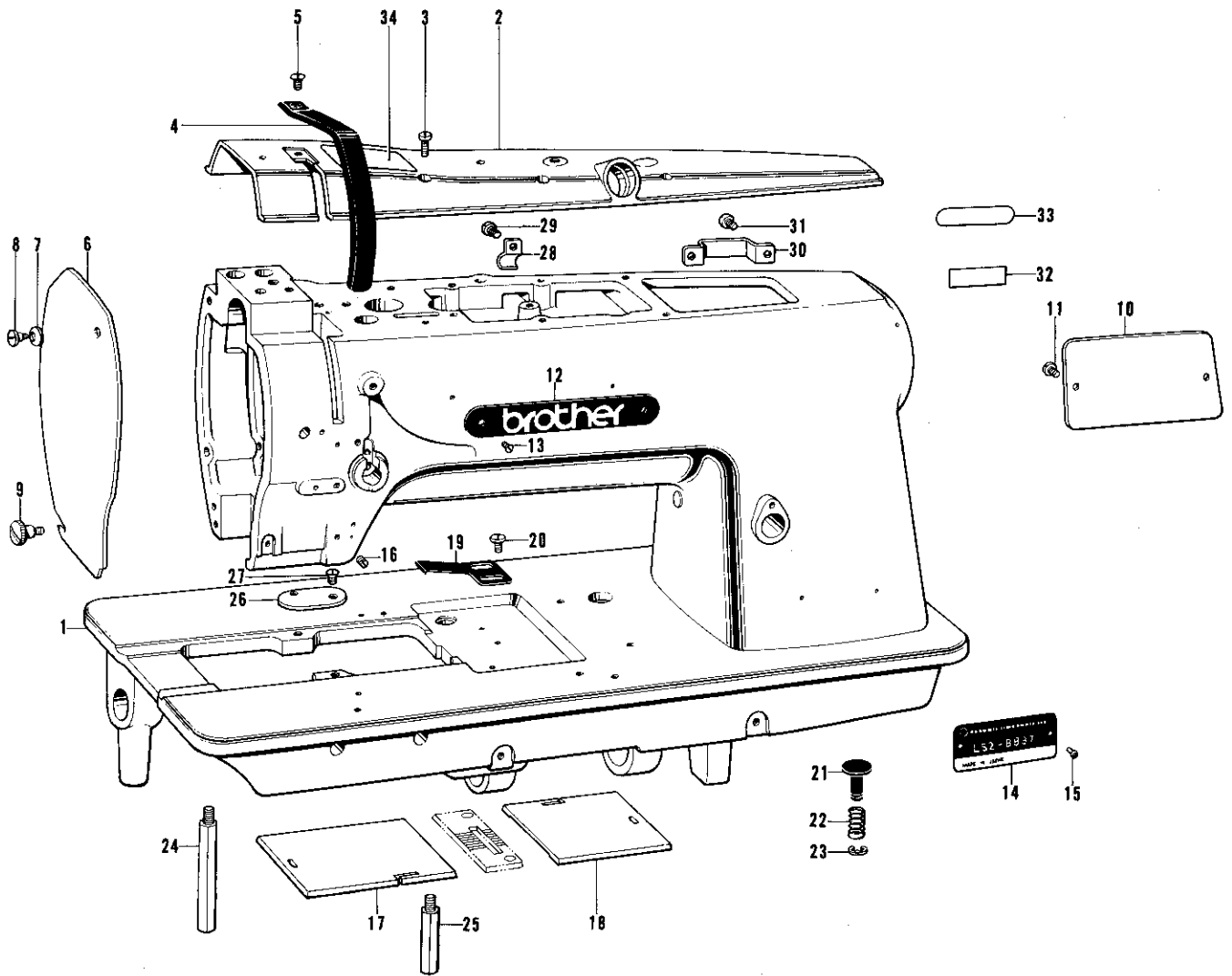
A. Maschinengehäuse	1
B. Fadenführungsvorrichtung	2
C. Obere Welle	3
D. Nadelstangenbetätigung	4
E. Obertransportvorrichtung	5
F. Stoffdrückerfuß	6
G. Transportvorrichtung	7
H. Lehren.....	8
J. Transport welle	8
K. Greifervorrichtung.....	9
L. Untere welle	10
M. Schmierung (1)	11
M. Schmierung (2)	12
N. Fadenabschneidevorrichtung (-300)	13
P. Spannung sverminderung svorrichtung (-300)...	14
Q. Umkehrschalter (-300)	14
R. Umkehr (-300)	15
S. Synchronisator (-300)	16
Z. Zubehör (1)	17
Z. Zubehör (2)	18
Lehrenliste	19
VERZEICHNIS	21

B. Threading mechanism / Fadenführungsrichtung
 Mécanisme de Jénfilage / Mécanismo de la enhebrado



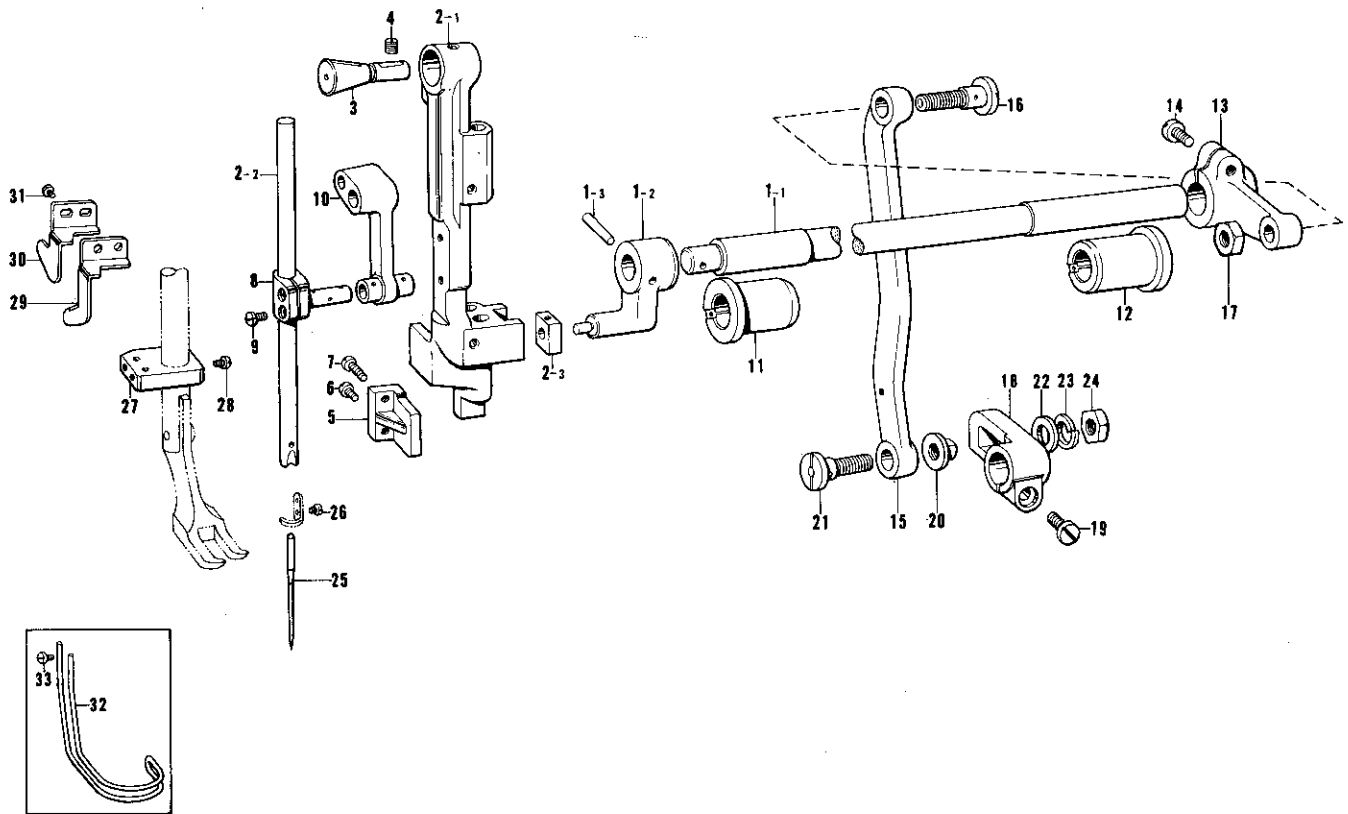
Ref. No.	Name of Parts	Q'ty	Parts No.	Assembly No.	Ref. No.	Name of Parts	Q'ty	Parts No.	Assembly No.
1	Top Cover Therad Guide	1	140527-001		4-2-10	Thread Take-up Spring	1	151011-001	B-4-2
2	Nut 5.95	1	150553-003		4-2-11	Pin	1	148670-001	Upper Tension
3	Thread Retainer (for Standard)	1	151008-001		4-2-12	Tension Release Lever	1	156394-001	Control
4-1-1	Under Thread Tension Plate	1			4-2-13	Stud Screw 3.57	2	112712-001	Assembly
4-1-2	Pin	1			4-2-14	Tension Release Spring	1	118320-001	(for Thread
4-1-3	Tension Stud	1			4-2-15	Upper Thread Tension Adjusting Nut	1	151012-001	Trimmer)
4-1-4	Tension Disc	2	108263-001		4-2-16	Stop Ring	1	151148-001	156393-001
4-1-5	Tension Disc	1	148669-001		5	Screw 357-40 x 10	1	062671-012	
4-1-6	Tension Spring	1	145153-001	B-4-1	6	Stopper	1	112709-001	
4-1-7	Tension Control Nut	2	108265-001	Upper	7	Screw 357-40 x 6	1	062670-612	
4-1-8	Spring Guide Assembly	1	108254-001	Tension	8	Thread Tension Releaser	1	112713-001	
4-1-9	Screw 2.38	1	118319-001	Control	9	Pipe	1	112714-000	
4-1-10	Tension Stud	1	108260-001	Assembly	10	Screw 437-40 x 10	1	062681-012	
4-1-11	Thread Take-up Spring	1	151011-001	(for Standard)	11	Arm Thred Guide (Upper)	1	151013-001	
4-1-12	Pin	1	112710-001	151009-001	12	Screw 3.57	1	108960-002	
4-1-13	Tension Release Lever	1	112711-001		13	Arm Thread Guide (Center)	1	112658-001	
4-1-14	Stud Screw 3.57	2	112712-001		14	Screw 3.57	1	108960-002	
4-1-15	Tension Release Sprng	1	118320-001		15	Arm Thread Guide (Lower)	1	112715-001	
4-1-16	Upper Thread Tension Adjusting Nut	1	151012-001		16	Screw 3.57	1	108960-002	
4-1-17	Stop Ring	1	151148-001		17	Felt	1	114941-001	
4-2-1	Under Thread Tension Plate	1			18	Needle Bar Thread Guide	1	151014-001	
4-2-2	Tension Stud	1		B-4-2	19	Screw 2.38	1	104336-003	
4-2-3	Tension Disc	2	145446-001	Upper Tension	20	Thread Guide Assembly (for Thread Trimmer)	1	156395-001	
4-2-4	Tension Disc Washer	1	159805-001	Control	21	Thread Guide Disc (for Thread Trimmer)	2	144504-001	
4-2-5	Tension Spring	1	145153-001	Assembly	22	Spring (for Thread Trimmer)	1	158782-101	
4-2-6	Tension Control Nut	2	108265-001	(for Thread	23	Nut (for Thread Trimmer)	1	155510-001	
4-2-7	Spring Guide Assembly	1	108254-001	Trimmer)	24	Thread Guide F1 (for Thread Trimmer)	1	155493-001	
4-2-8	Screw 2.38	1	118319-001	156393-001	25	Mounting Bracket Collar 2l (for Thread Trimmer)	1	153215-001	
4-2-9	Tension Stud	1	108260-001		26	Screw 357-40 x 14 (for Thread Trimmer)	1	062671-412	

A. Machine body / Maschinengehäuse
 Corps de la machine / Denominación del mecanismo



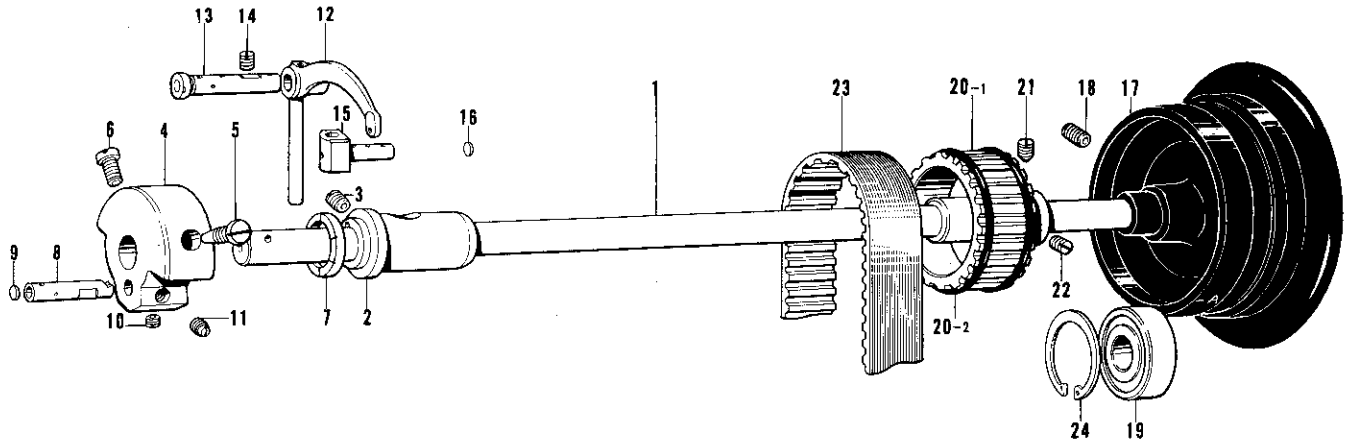
Ref. No.	Name of Parts	Q'ty	Parts No.	Assembly No.	Ref. No.	Name of Parts	Q'ty	Parts No.	Assembly No.
1	Arm Bed	1			19	Slide Plate Stopper	1	150897-001	
2	Top Cover	1	150890-002		20	Screw 4.37	2	106629-002	
3	Screw 437-40 x 12	7	062681-212		21	Pressing Button (for Standard)	1	112677-001	
4	Thread Take-up Cover	1	150891-002			Pressing Button (for Thread Trimmer)	1	156384-001	
5	Screw 4.76	1	107231-002		22	Spring	1	103607-000	
6	Face Plate	1	150892-002		23	Stop Ring E4	1	048040-342	
7	Spring Washer	1	146598-001		24	Bed Leg	1	156352-001	
8	Stud Screw 3.57	1	153112-001		25	Bed Leg (S)	1	156353-001	
9	Screw 3.57	1	129984-002		26	Cover	1	148614-001	
10	Rear Cover	1	112566-003		27	Screw 3.18	2	149288-002	
11	Screw 357-40 x 6	2	062670-612		28	Supporter	4	140647-001	
12	Name Plate	1			29	Screw 357-40 x 6	4	062670-612	
13	Pin	2			30	Cord Holder (LL)	1	148818-001	
14	Model Plate	1			31	Screw 357-40 x 6	2	062670-612	
15	Pin	2			32	Name Plate	1		
16	Screw 4.37	1	151602-002		33	Parts Book Number Plate	1		
17	Slide Plate (L)	1	150895-001		34	Label	1		
18	Slide Plate (R)	1	150896-001						

D. Needle bar rocking mechanism / Nadelstangebetätigung
 Mécanisme de balancement de la barre à aiguille / Mecanismo de oscilación de la barra de aguja



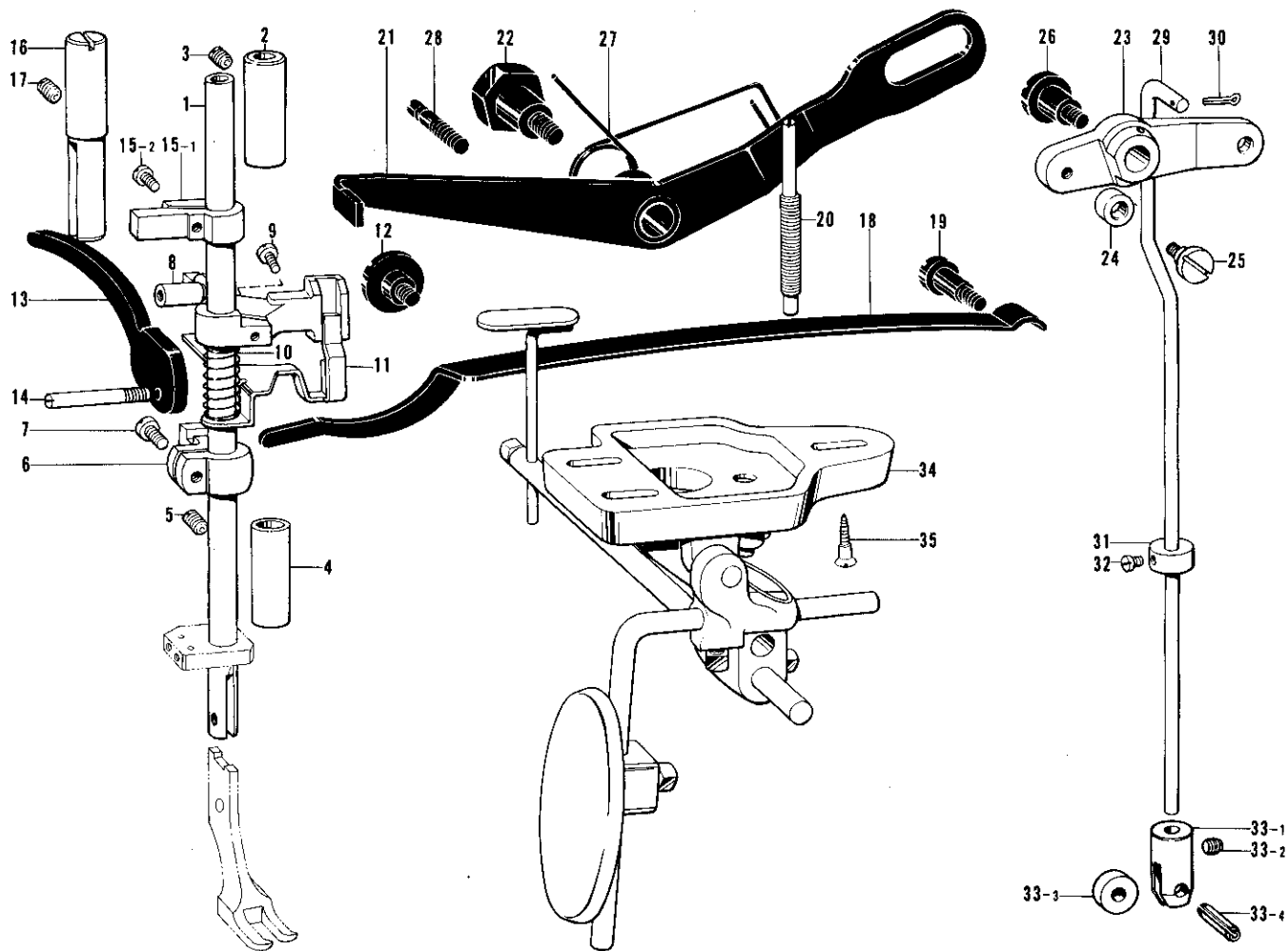
Ref. No.	Name of Parts	Q'ty	Parts No.	Assembly No.	Ref. No.	Name of Parts	Q'ty	Parts No.	Assembly No.
1-1	Needle Bar Rock Shaft	1		D-1 Needle Bar Rock Shaft Assembly 150901-001	16	Needle Bar Rock Link Stud	1	112597-001	
1-2	Needle Bar Rock Arm	1	150902-001		17	Nut 7.94	1	101268-002	
1-3	Taper Pin	1	107030-001		18	Needle Bar Rock Crank	1	150914-001	
2-1	Needle Bar Support	1		D-2 Needle Bar Support Assembly 150904-001	19	Screw 6.35 x 18	1	S01304-001	
2-2	Needle Bar	1	150906-001		20	Needle Bar Rock Crank Collar	1	150915-001	
2-3	Needle Bar Guide Slide Block	1	150907-001		21	Needle Bar Rock Link Stud	1	150916-001	
3	Needle Bar Sutud	1	150908-001	22	Washer	1	100197-002		
4	Screw 6.35 x 10	1	013781-012	23	Washer 7	1	203735-001		
5	Needle Bar Support Swing Stopper	1	150909-001	24	Nut 7.14	1	021800-102		
6	Screw 437-40 x 14	1	062681-412	25	Needle DP x 17 #23 (for Standard)	1	145646-023		
7	Screw 437-40 x 20	1	062682-012		Needle DP x 17 #22 (for Thread Trimmer)	1	145646-022		
8	Needle Bar Clamp	1	150910-001	26	Screw 3.57	1	144458-001		
9	Screw 357-40 x 8	2	062670-812	27	Finger Guard Supporter	1	151191-001		
10	Needle Bar Crank Rod	1	150911-001	28	Screw 3.57	1	144458-001		
11	Needle Bar Rock Shaft Bushing (Left)	1	112594-001	29	Thread Cutter (for Standard)	1	151192-001		
12	Needle Bar Rock Shaft Bushing (Right)	1	112764-001	30	Thread Cutter Guide Plate (for Standard)	1	151193-001		
13	Needle Bar Rock Connecting Rod	1	150912-000	31	Screw 318-40 x 5 (for Standard)	2	062660-512		
14	Screw 6.35 x 18	1	S01304-001	32	Finger Guard (Option Parts)	1	150917-001		
15	Needle Bar Rock Link	1	150913-001	33	Screw (Option Parts)	2	149177-001		

C. Upper shaft mechanism / Obere Welle
 Mécanisme de l'arbre supérieur / Mecanismo de la eje superior



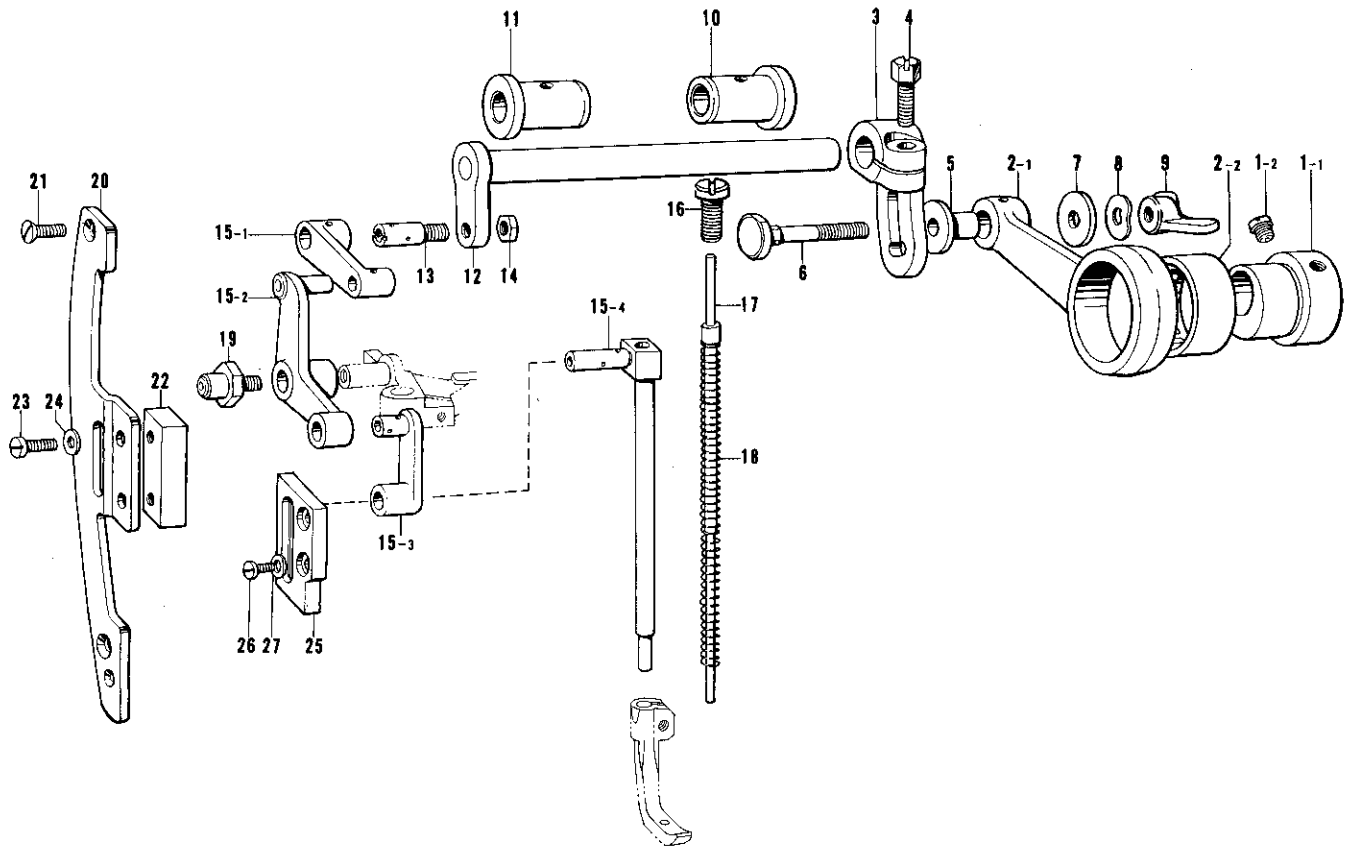
Ref. No.	Name of Parts	Q'ty	Parts No.	Assembly No.	Ref. No.	Name of Parts	Q'ty	Parts No.	Assembly No.
1	Upper Shaft	1	112572-001		14	Screw 5.95	2	013761-410	
2	Upper Shaft Bushing (Left)	1	112573-001		15	Thread Take-up Lever Slide Block	1	150899-001	
3	Screw 5.95	1	013761-410		16	Pusher	1	113024-000	
4	Counter Weight	1	112574-000		17	Pulley (for Standard)	1	150900-101	
5	Screw 7.14	1	100250-001			Pulley (for Thread Trimmer)	1	S01035-001	
6	Screw 7.14	1	146141-001		18	Screw 5.95	2	013761-410	
7	Thrust Ring	1	112576-001		19	Bearing 6204	1	072620-460	
8	Needle Bar Crank	1	112577-001		20-1	Timing Belt Wheel (Upper)	1		C-20 Timing Belt Wheel (Upper Assembly) 180157-001
9	Pusher	1	113014-000		20-2	Side Ring	2		
10	Screw 6.35	1	101706-001		21	Screw 6.35 x 12	1	015771-212	
11	Screw 6.35	1	100251-001		22	Screw 6.35 x 12	1	013771-212	
12	Thread Take-up Lever (for Standard)	1	150898-001		23	Timing Belt	1	112586-001	
	Thread Take-up Lever (for Thread Trimmer)	1	S01022-001		24	Stop Ring C	1	112760-001	
13	Stud	1	112579-001						

F. Presser foot mechanism / Stoffdrückerfuß
 Mécanisme du pied presseur / Mécanismo del prensa telas



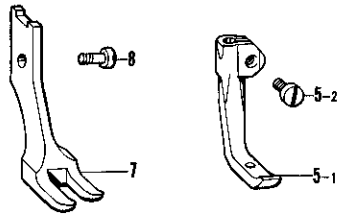
Ref. No.	Name of Parts	Q'ty	Parts No.	Assembly No.	Ref. No.	Name of Parts	Q'ty	Parts No.	Assembly No.
1	Presser Bar	1	112614-001		21	Knee Lifter Lever	1	150923-101	
2	Presser Bar Bushing (Upper)	1	112615-001		22	Stud Screw 6.35	1	151073-001	
3	Screw 5.95 x 6	1	013760-610		23	Knee Lifter Connecting Lever (for Standard)	1	151072-001	
4	Presser Bar Bushing (Lower)	1	112763-001			Knee Lifter Connecting Lever (for Thread Trimmer)	1	156453-001	
5	Screw 5.95	1	151605-001		24	Roller	1	141868-001	
6	Presser Bar Bracket	1	112616-001		25	Stud Screw	1	145094-001	
7	Screw 357-40 x 8	1	062670-812		26	Screw 6.35	1	149991-001	
8	Presser Bar Lifter	1	150918-001		27	Knee Lifter Lever Spring	1	150924-001	
9	Screw 476-32 x 20	1	062712-012		28	Stopper Screw	1	112630-001	
10	Tension Release Spring	1	150919-001		29	Knee Lifter Connecting Rod	1	155447-101	
11	Tension Release Plate	1	150920-001		30	Pin	1	114909-000	
12	Screw (for Standard)	1	112631-001		31	Set Collar	1	159436-001	
13	Presser Foot Lifter	1	150921-001		32	Screw 4.37	1	104908-004	
14	Screw	1	112619-001		33-1	Roller Bracket	1	156825-001	F-33
15-1	Presser Bar Guide	1		F-1.5 Presser Bar Bracket Assembly 150920-001	33-2	Screw 4.37	1	151601-002	Roller Bracket
15-2	Screw 437-40 x 7	1	062680-712		33-3	Roller	1	112636-001	Assembly
16	Presser Bar Guide Shaft	1	150922-001		33-4	Spring Pin AW5	1	047501-242	156824-001
17	Screw 5.95 x 6	1	013760-610		34	Knee Lifter Assembly (for Standard)	1	151098-001	
18	Presser Plate Spring	1	118170-101			Knee Lifter Assembly (for Thread Trimmer)	1	156454-001	
19	Stud Screw 6.35	1	112623-001		35	Screw 6.2 x 32	3	106030-001	
20	Presser Adjusting Screw	1	112624-001						

E. Upper Feed Mechanism / Obertransportvorrichtung
 Mécanisme de l'entraînement supérieur / Mecanismo de la alimentación superior



Ref No.	Name of Parts	Q'ty	Parts No.	Assembly No.	Ref. No.	Name of Parts	Q'ty	Parts No.	Assembly No.
1-1	Upper Feed Eccentric Wheel	1		E-1 Upper Feed Eccentric Wheel Assembly 150931-001	15-1	Bell Crank Link	1	150945-001	E-15
1-2	Screw 6.35	2	102627-001		15-2	Bell Crank	1	150946-001	Upper Feed
2-1	Upper Feed Connecting Rod	1	150934-000	E-2 Upper Feed Connecting Rod Assembly 150933-000	15-3	Upper Feed Presser Link	1	150947-001	Assembly
2-2	Needle Bearing	1	118954-000		15-4	Upper Feed Presser Bar	1	150948-001	150944-001
3	Upper Feed Eccentric Wheel Crank	1	150935-001		16	Adjusting Screw	1	150949-001	
4	Screw 6.35	1	150936-001		17	Presser Bar Presser	1	150950-001	
5	Collar	1	150937-001		18	Presser Bar Presser Spring	1	150951-001	
6	Hinge Screw	1	150938-001		19	Bell Crank Roller Stud Assembly	1	150952-001	
7	Thrust Collar	1	151090-001		20	Roller Stud Guide Plate	1	150954-001	
8	Washer	1	107017-002		21	Screw 4.76	2	107231-002	
9	Nut 6.35	1	151015-001		22	Roller Stud Guide	1	150955-001	
10	Upper Feed Shaft Bushing (R)	1	150940-000		23	Screw 437-40 x 12	2	062681-212	
11	Upper Feed Shaft Bushing (L)	1	150941-000		24	Washer 4.37	2	025680-132	
12	Upper Feed Shaft	1	150942-001		25	Guide Plate	1	150956-001	
13	Stud Screw	1	150943-001		26	Screw 437-40 x 12	2	062681-212	
14	Nut 6.35	1	150554-002		27	Washer 4.37	2	025680-132	

H. Gauge parts mechanism / Lehren
 Pièces d'écartement / Piezas calibradoras



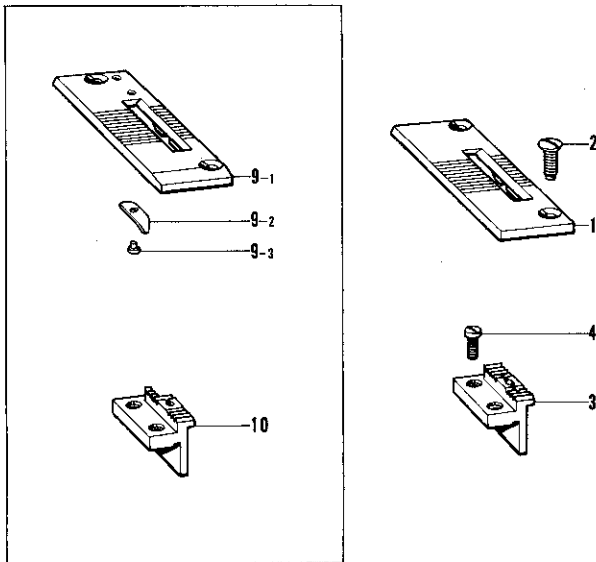
Ref. No.	Name of Parts	Q'ty	Parts No.	Assembly No.
1	Needle Plate (for Standard)	1	150959-001	
2	Screw 4.37	2	158384-001	
3	Feed Dog (for Standard)	1	150960-001	
4	Screw 3.18	2	116283-001	
5-1	Presser Foot	1		14-5 Presser Foot Assembly ※
5-2	Screw 437-40 x 6	1	062680-612	
7	Walking Foot	1	※	
8	Screw 3.57	1	113050-001	
9-1	Needle Plate	1		H-9 Needle Plate Assembly (for Thread Trimmer) 156374-001
9-2	Spring	1	148708-101	
9-3	Pin	1	148709-001	
10	Feed Dog (for Thread Trimmer)	1	156376-001	

* If there is a "※" mark in the part code column or assembly code column, refer to the gauge assembly guide on page 19, 20.

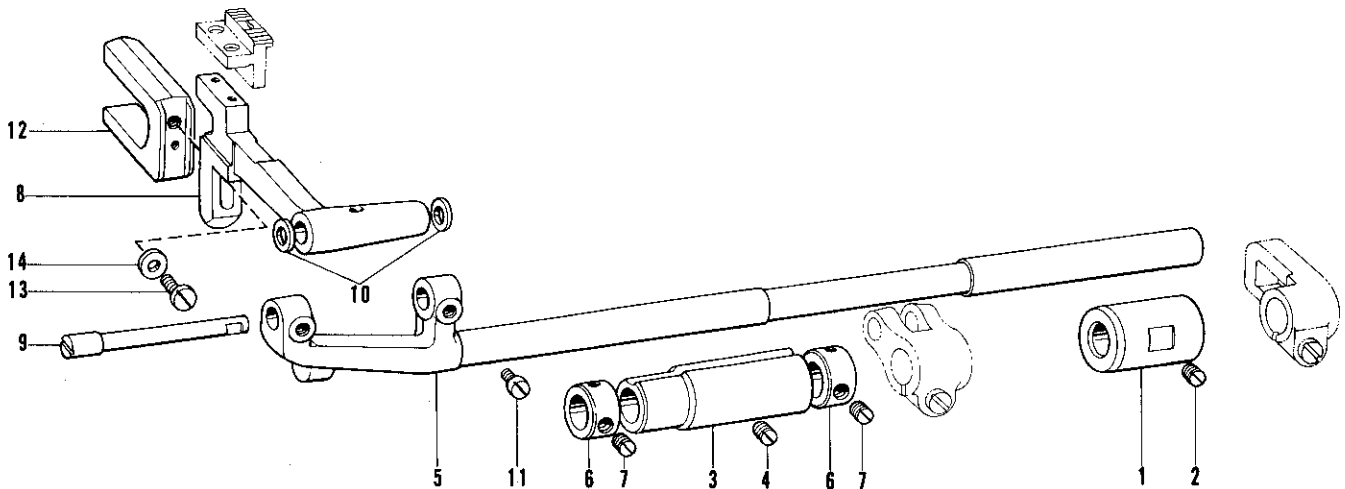
* Falls in den Kolonnen für Teilcode und Satzcode das Zeichen "※" steht, wird auf die Zusammenstellung der Vorrichtungen auf Seite 19,20 verwiesen.

* Si le signe apparaît dans la colonne du code des pièces ou dans celle du code d'assemblage, se reporter à la page 19,20 du guide de montage de la jauge.

* Si aparece una marca "※" en la columna de código de piezas o en la columna de código de armado, consultar la guía de armado de galga en la página 19,20.

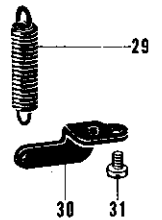
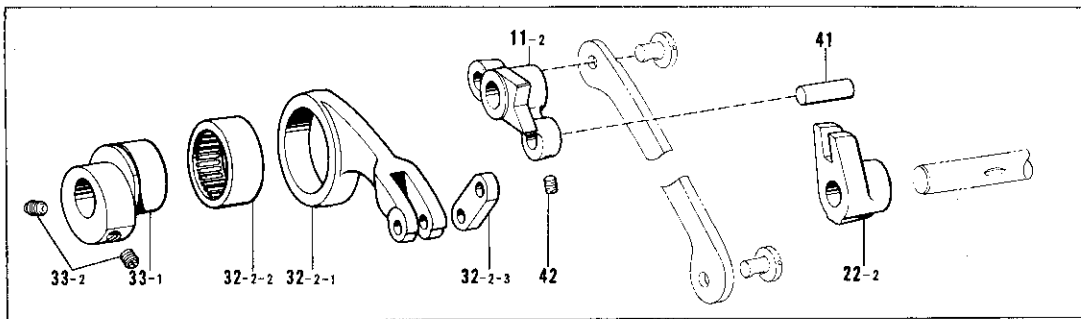
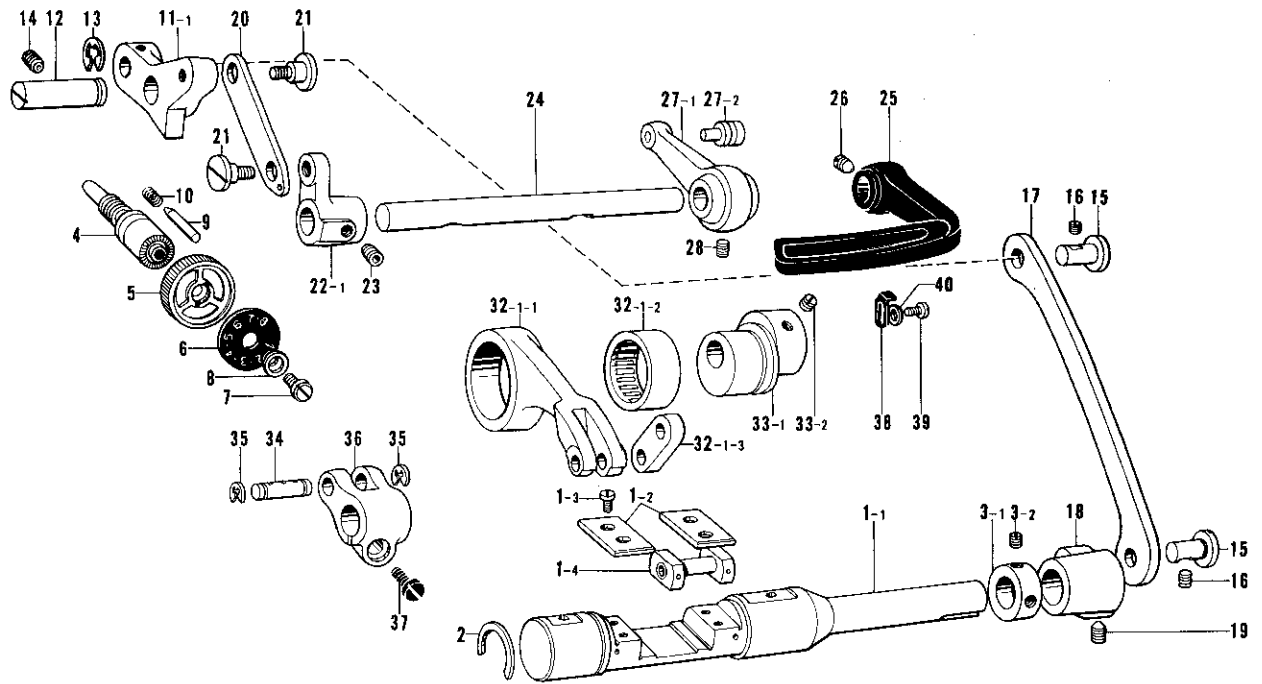


J. Feed shaft mechanism / Transport welle
 Mécanisme de l'arbre entraînement / Mecanismo de la eje alimentación



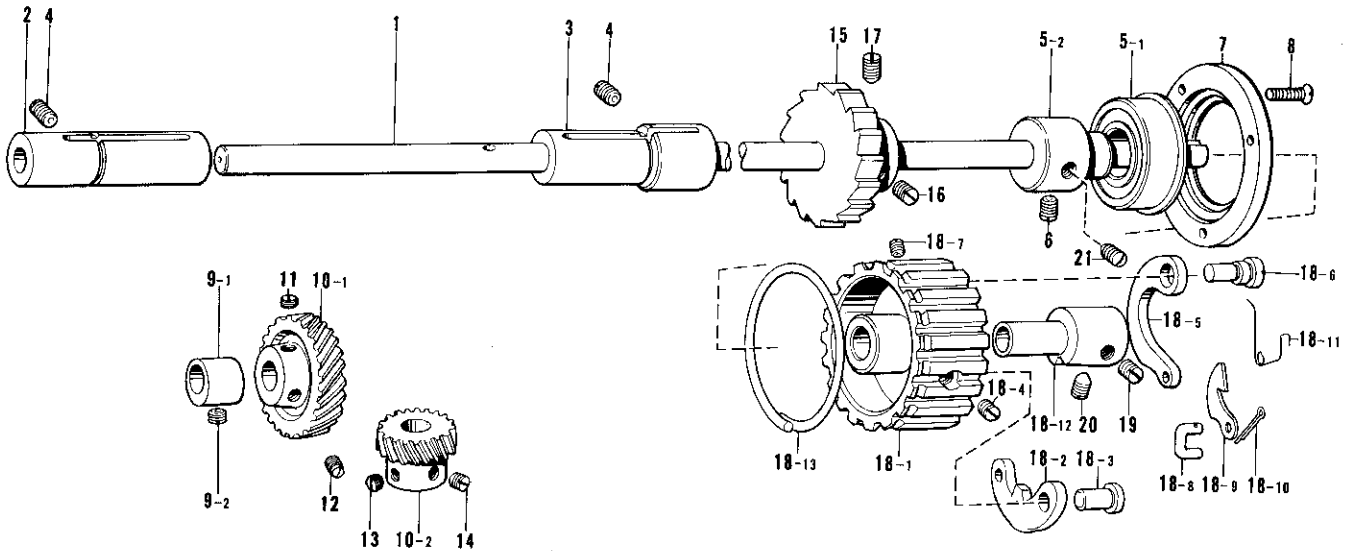
Ref. No.	Name of Parts	Q'ty	Parts No.	Assembly No.	Ref. No.	Name of Parts	Q'ty	Parts No.	Assembly No.
1	Feed Rock Shaft Bushing (Right)	1	148493-001		8	Feed Bar	1	150957-001	
2	Screw 5.95 (for Standard)	1	013761-410		9	Feed Bar Shaft	1	148977-001	
3	Feed Rock Shaft Bushing (Left)	1	148494-001		10	Thrust Ring	2	143591-001	
4	Screw 5.95	1	013761-410		11	Screw 4.37	2	104908-004	
5	Feed Rock Shaft	1	148976-001		12	Feed Bar Fork	1	150958-001	
6	Feed Rock Shaft Collar	2	113074-001		13	Screw 595-28 x 14	1	062761-412	
7	Screw 6.35	4	101706-001		14	Washer 6	1	025060-132	

G. Feed mechanism / Transportvorrichtung
 Mécanisme de l'entraînement / Mecanismo de la alimentación



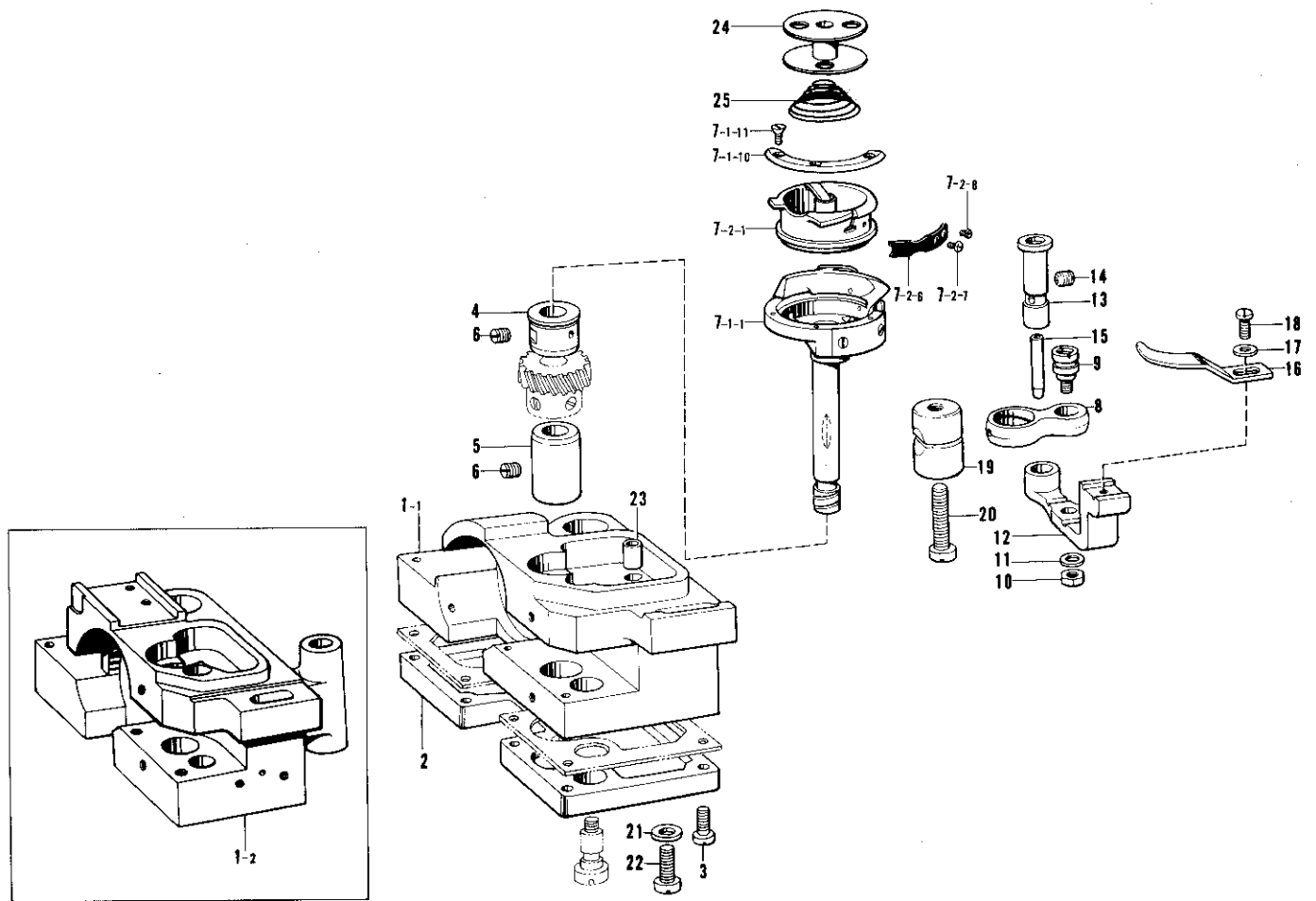
Ref. No.	Name of Parts	Q'ty	Parts No.	Assembly No.	Ref. No.	Name of Parts	Q'ty	Parts No.	Assembly No.
1-1	Feed Regulator Shaft	1		G-1	22-1	Feed Regulator Bracket (for Standard)	1	118747-001	
1-2	Guide Plate	2	143594-001	Feed Regulator Shaft Assembly 148771-001	22-2	Feed Regulator Bracket (for Thread Trimmer)	1	158748-001	
1-3	Screw 437-40 x 10	4	062681-012		23	Screw 5.95	1	118853-001	
1-4	Slide Block	1	145328-001		24	Feed Regulator Lever Shaft (for Standard)	1	151080-001	
2	Stop Ring	1	143597-001	G-3 Collar Assembly 180321-001	25	Reverse Lever (for Thread Trimmer)	1	118752-003	
3-1	Collar	1			26	Screw 6.35 x 10 (for Standard)	1	015771-012	
3-2	Screw 6.35	2	101706-001		27-1	Link (B)	1		G-27 Link Assembly (for Standard) 143608-001
4	Length Control Screw	1	109151-101	27-2	Spring Hook	1			
5	Length Control Dial	1	153168-001	28	Screw 5.95 x 6 (for Standard)	1	014760-622		
6	Dial Plate	1	153231-001	29	Spring	1	143609-001		
7	Screw 4.76	1	142747-002	30	Spring Hook Plate	1	143610-001		
8	Length Control Supporter	1	142746-002	31	Screw 476-32 x 8	1	062710-812		
9	Pin	1	145502-001	32-1-1	Lever Feed Connecting Rod	1		G-32-1 Lever Feed Connecting Rod Assembly (for Standard) 150926-001	
10	Notch Spring	1	100328-001	32-1-2	Needle Bearing	1	118954-000		
11-1	Feed Regulator (for Standard)	1	148489-001	32-1-3	Level Feed Connecting Link	1	143613-001		
11-2	Feed Regulator (for Thread Trimmer)	1	158747-001	32-2-1	Lever Feed Connecting Rod	1		G-32-2 Lever Feed Connecting Rod Assembly (for Thread Trimmer) 156360-001	
12	Feed Regulator Stud	1	148488-001	32-2-2	Needle Bearing	1	118954-000		
13	Stop Ring E7	1	048070-342	32-2-3	Level Feed Connecting Link	1	143613-001		
14	Screw 5.95	1	013761-410	33-1	Eccentric Wheel	1		G-33 Eccentric Wheel with Screw 150928-001	
15	Pin (for Standard)	2	118713-001	33-2	Screw 5.95	2	151605-001		
16	Screw 4.37	2	151602-001	34	Stud	1	143616-001		
17	Feed Regulator Connecting Link (for Standard)	1	148487-001	35	Stop Ring E6	2	048060-342		
17	Feed Regulator Connecting Link (for Thread Trimmer)	1	155448-001	36	Lever Feed Arm	1	150930-001		
18	Feed Regulator Arm (for Standard)	1	150925-001	37	Screw 6.35 x 18	1	S01304-001		
18	Feed Regulator Arm (for Thread Trimmer)	1	155449-001	38	Reverse Lever Stopper	1	118865-001		
19	Screw 5.95	1	118853-001	39	Screw 437-40 x 7	1	062680-712		
20	Connecting Plate (for Standard)	1	118746-001	40	Washer	1	100645-003		
21	Stud Screw 4.37 (for Standard)	2	112072-001	41	Link Shaft (for Thread Trimmer)	1	156956-001		
				42	Screw 4.37 (for Thread Trimmer)	1	151602-001		

L. Lower shaft mechanism / Untere
 Mécanisme de l'arbre inférieur / Mecanismo de la eje inferior



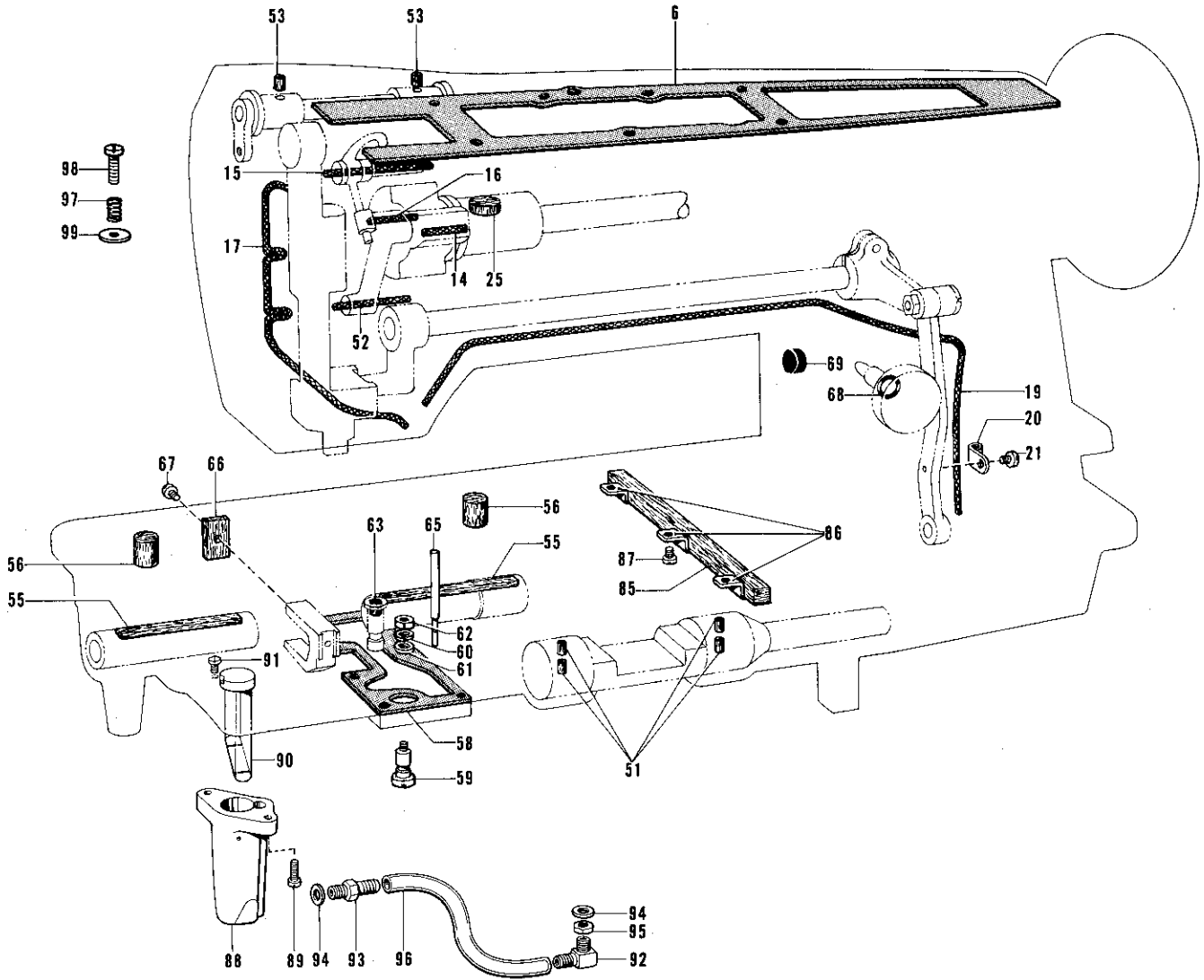
Ref. No.	Name of Parts	Q'ty	Parts No.	Assembly No.	Ref. No.	Name of Parts	Q'ty	Parts No.	Assembly No.
1	Lower Shaft (for Standard)	1	150972-101		16	Screw 6.35 (for Thread Trimmer)	1	112684-001	
	Lower Shaft (for Thread Trimmer)	1	S01027-001		17	Screw 6.35 (for Standard)	1	015771-212	
2	Rotary Hook Base Bushing (Left)	1	148503-000			Screw 6.35 x 12 (for Thread Trimmer)	1	100251-001	
3	Rotary Hook Base Bushing (Right)	1	148502-000		18-1	Timing Belt Pulley (Lower)	1		L-18 Timing Belt Pulley (Lower) Assembly (for Standard) 150978-001 (for Thread Trimmer) 156382-001
4	Screw 5.95	2	151605-001		18-2	Rock Lever	1	150980-001	
5-1	Ball Bearing	1		L-5 Lower Shaft Bearing Assembly 150975-001	18-3	Lever Stud	1	150981-001	
5-2	Bearing Bushing	1	150976-001		18-4	Screw 4.37	1	151603-001	
6	Screw 6.35 x 12	1	013771-212		18-5	Lever Spring	1	150982-001	
7	Presser	1	112668-001		18-6	Stud	1	150983-001	
8	Screw 3.57 x 12	3	005671-212		18-7	Screw 4.37	1	013680-512	
9-1	Vertical Feed Eccentric Wheel	1		L-9 Vertical Feed Eccentric Assembly 181486-001	18-8	Link	1	150984-001	
9-2	Screw 6.35	1	112684-001		18-9	Ratchet	1	150985-001	
10-1	Spiral Gear	1		L-10 Spiral Gear Assembly 180949-001	18-10	Pin	1	114909-000	
10-2	Pinion Gear	1	112689-001		18-11	Ratchet Spring	1	150986-001	
11	Screw 6.35	1	112684-001		18-12	Collar (for Standard)	1	150987-001	
12	Screw 6.35	2	100251-001			Collar (for Thread Trimmer)	1	156383-001	
13	Screw 6.35	1	112684-001		18-13	Side Ring	1		
14	Screw 6.35	2	101706-001		19	Screw 6.35 x 12 (for Standard)	1	013771-212	
15	Rock Ratchet (for Standard)	1	150977-001			Screw 6.35 x 12 (for Thread Trimmer)	2	013771-212	
	Rock Ratchet (for Thread Trimmer)	1	156385-001		20	Screw 6.35	1	148821-001	
16	Screw 6.35 x 12 (for Standard)	1	013771-212		21	Screw 6.35 (for Standard)	1	015771-212	
						Screw 6.35 x 12 (for Thread Trimmer)	1	148821-001	

K. Rotary hook mechanism / Greifervorrichtung
Mécanisme du crochet rotatif / Mécanismo del cangrejo



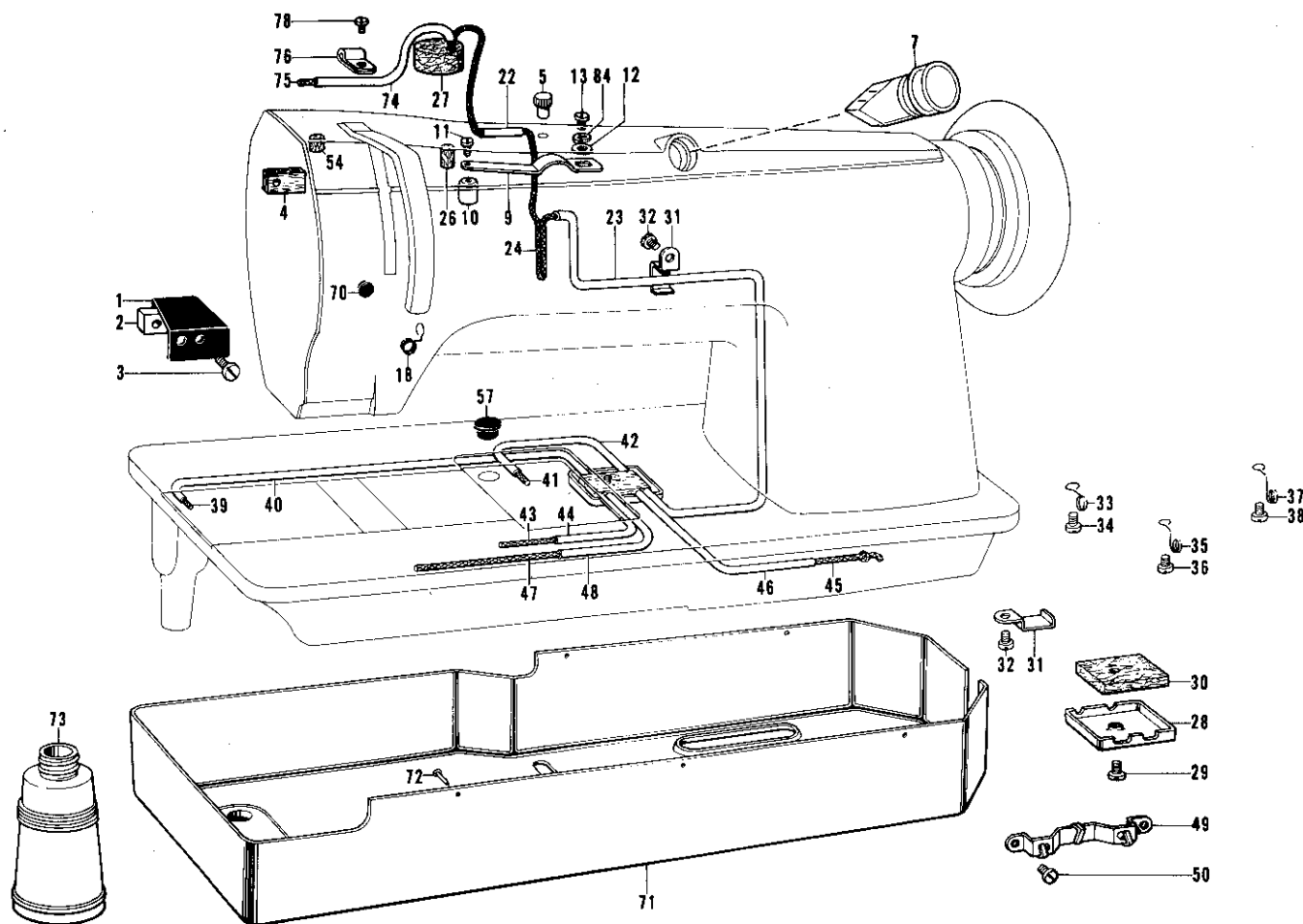
Ref. No.	Name of Parts	Q'ty	Parts No.	Assembly No.	Ref. No.	Name of Parts	Q'ty	Parts No.	Assembly No.
1-1	Rotary Hook Base (Right)(for Standard)	1	150963-001		8	Opener Link	1	150967-001	
1-2	Rotary Hook Base (Right)(for Thread Trimmer)	1	156377-001		9	Stud	1	148005-001	
2	Rotary Hook Base Oil Reservoir (Right)(for Standard)	1	112702-001		10	Nut 4.76	1	110161-006	
	Rotary Hook Base Oil Reservoir (Right)(for Thread Trimmer)	1	156378-001		11	Washer 4.76	1	025710-232	
3	Screw 4.76	8	100320-002		12	Opener Crank	1	150968-001	
4	Rotary Hook Shaft Bushing (Upper)	1	150964-101		13	Opener Crank Stud	1	150969-001	
5	Rotary Hook Shaft Bushing (Lower)	1	150965-001		14	Screw 4.76	1	153483-001	
6	Screw 4.76	2	107794-001		15	Pipe	1	112696-000	
7-1- 1	Outer Rotary Hook	1		K-7-1 Outer Rotary Hook Assembly (for Standard) 159944-001 (for Thread Trimmer) S01025-001	16	Bobbin Case Opener	1	150970-001	
7-1-10	Inner Rotary Hook Presser	1			17	Washer	1	105161-002	
7-1-11	Screw	3	151027-001		18	Screw 357-40 x 8	1	062670-812	
7-2- 1	Inner Rotary Hook	1		K-7 Rotary Hook Assembly (for Standard) 150966-001 (for Thread Trimmer) S01023-001	19	Pinch Sleeve	1	112699-001	
					20	Screw 5.95	1	112700-001	
7-2- 6	Tension Adjusting Spring	1	151495-001	K-7-2 Inner Rotary Hook Assembly (for Standard) 151491-001 (for Thread Trimmer) 156473-001	21	Washer	1	100197-002	
7-2- 7	Tension Adjusting Screw	1	151029-001		22	Screw 6.35 Screw	1	105351-002	
7-2- 8	Screw	1	151030-001		23	Oil Pipe (for Standard)	1	115287-000	
					24	Bobbin (for Standard)	1	150971-001	
						Bobbin (for Thread Trimmer)	1	156380-001	
					25	Bobbin Tension Spring (for Thread Trimmer)	1	156463-001	

M. Lubrication (2) / Schmierung (2)
Lubrification (2) / Lubricación (2)



Ref. No.	Name of Parts	Q'ty	Parts No.	Assembly No.	Ref. No.	Name of Parts	Q'ty	Parts No.	Assembly No.
6	Packing	1	150989-000		65	Oil Gauge (for Standard)	1	151006-001	
14	Wick 6 x 6 (12 cm)	1	112735-000		66	Felt	1	112759-001	
15	Wick 6 x 6 (10 cm)	1	150995-000		67	Screw 3.57	1	100242-003	
16	Wick 3 x 3 (3 cm)	1	114693-001		68	Packing	1	108549-001	
17	Wick 4 x 4 (44 cm)	1	150996-000		69	Oil Cap	1	143766-001	
19	Wick 4 x 4 (85 cm)	1	112736-000		85	Felt (for Thread Trimmer)	1	156386-000	
20	Wick Supporter	2	112739-001		86	Felt Presser (for Thread Trimmer)	3	155487-001	
21	Screw 357-40 x 5	2	062670-512		87	Screw 357-40 x 5 (for Thread Trimmer)	3	062670-512	
25	Felt	1	112734-001		88	Oil Gauge (for Thread Trimmer)	1	156387-001	
51	Felt	4	148743-001		89	Screw 476-32 x 16 (for Thread Trimmer)	2	062711-612	
52	Wick 4 x 4 (5 cm)	1	112728-001		90	Oil Gauge Window (for Thread Trimmer)	1	156388-000	
53	Felt	2	107155-001		91	Screw 3.57 (for Thread Trimmer)	1	112751-003	
55	Felt	2	113362-001		92	Oil Joint (1) (for Thread Trimmer)	1	156389-001	
56	Felt	2	112753-001		93	Oil Joint (2) (for Thread Trimmer)	1	156390-001	
58	Packing	1	112755-000		94	Packing (for Thread Trimmer)	2	156391-000	
59	Oil Adjusting Screw	1	112756-001		95	Nut 7.94 (for Thread Trimmer)	1	106147-002	
60	Washer 2-4.37	1	028680-242		96	Oil Tube (for Thread Trimmer)	1	156392-000	
61	Washer	1	100645-003		97	Spring	1	155485-001	
62	Nut 4.37	1	105234-003		98	Screw 476-32 x 16	1	062711-612	
63	Felt	1	107155-001		99	Washer	1	116662-003	

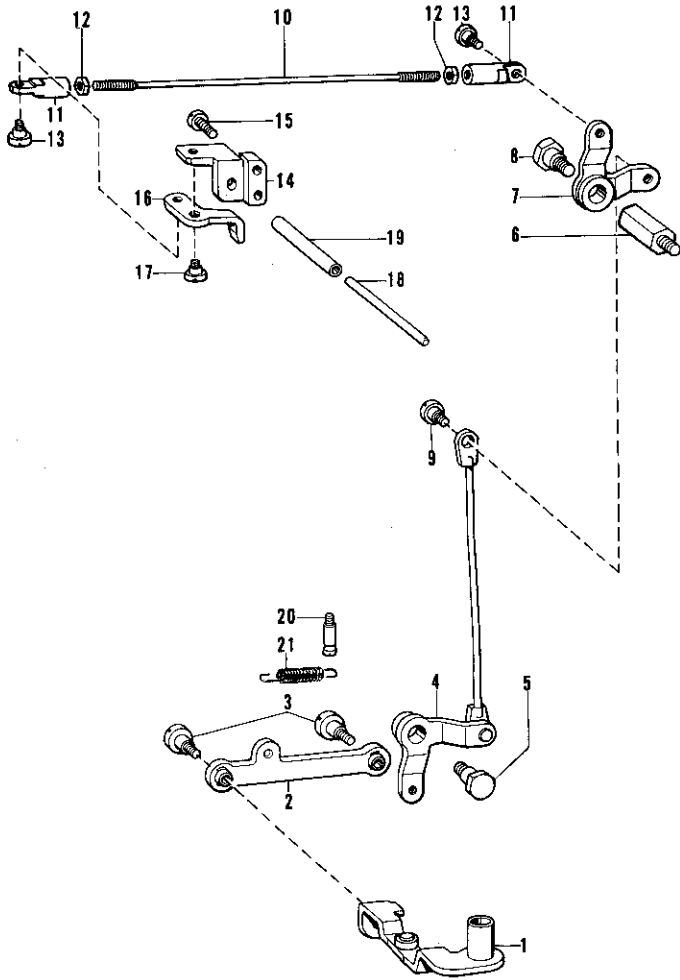
M. Lubrication (1) / Schmierung (1)
Lubrification (1) / Lubricación (1)



Ref. No.	Name of Parts	Q'ty	Parts No.	Assembly No.	Ref. No.	Name of Parts	Parts No.	Assembly No.
1	Oil Stopper Plate	1	150988-001		38	Screw 357-40 x 5 (for Standard)	1	062670-512
2	Oil Stopper Plate Presser	1	112717-001			Screw 357-40 x 5 (for Thread Trimmer)	2	062670-512
3	Screw 476-32 x 10	1	062711-212		39	Wick 4 x 4 (36 cm) (for Standard)	1	150999-000
4	Felt	1	148762-001			Wick 4 x 4 (36 cm) (for Thread Trimmer)	1	143660-000
5	Cap for Oil Inlet	1	113526-001		40	Oil Tube (for Standard)	1	151000-100
7	Oil Gauge Window	1	150990-001			Oil Tube (for Thread Trimmer)	1	143661-000
9	Spring	1	150993-101		41	Wick 4 x 4 (16 cm)	1	151001-000
10	Oil Pendulum	1	150994-000		42	Oil Tube	1	148733-001
11	Screw 357-40 x 6	1	062670-612		43	Wick 4 x 4 (34 cm)	1	151002-000
12	Washer 4.37	1	025680-232		44	Oil Tube	1	143671-000
13	Screw 437-40 x 6	1	062680-612		45	Wick 4 x 4 (31 cm)	1	151003-000
18	Tube Holder	1	112744-001		46	Oil Tube (for Standard)	1	151004-000
22	Oil Tube	1	150997-000			Oil Tube (for Thread Trimmer)	1	143669-000
23	Oil Tube	1	150998-000		47	Wick 4 x 4 (61 cm)	1	151005-000
24	Wick 4 x 4 (84 cm)	1	148731-000		48	Oil Tube (for Standard)	1	148733-001
26	Felt	1	112754-001			Oil Tube (for Thread Trimmer)	1	143671-000
27	Felt (A)	1	141742-001		49	Wick Support	1	143673-001
28	Bed Oil Tube Holder (for Standard)	1	148729-001		50	Screw 318-40 x 4	2	062660-412
29	Screw 476-32 x 10 (for Standard)	1	062711-012		54	Felt	1	107155-001
30	Felt (for Standard)	1	148732-001		57	Oil Cap	1	112758-001
31	Felt Presser (for Standard)	2	114297-001		70	Oil Cap	1	104450-001
32	Screw 357-40 x 5 (for Standard)	2	062670-512		71	Oil Pan	1	151007-101
33	Tube Holder (for Standard)	3	112743-001		72	Nail	5	109714-000
	Tube Holder (for Thread Trimmer)	2	112743-001		73	Oiler	1	114486-002
34	Screw 357-40 x 5 (for Standard)	3	062670-512		74	Oil Tube	1	143671-000
	Screw 357-40 x 5 (for Thread Trimmer)	2	062670-512		75	Wick 4 x 4 (32 cm)	1	151097-000
35	Tube Stopper (for Standard)	3	112744-001		76	Tube Holder	1	112743-001
36	Screw 357-40 x 5 (for Standard)	3	062670-512		78	Screw 357-40 x 5	1	062670-512
	Wick Holder (for Standard)	1	112745-001		84	Washer 2-4.37	1	028680-242
37	Wick Holder (for Thread Trimmer)	2	112745-001					

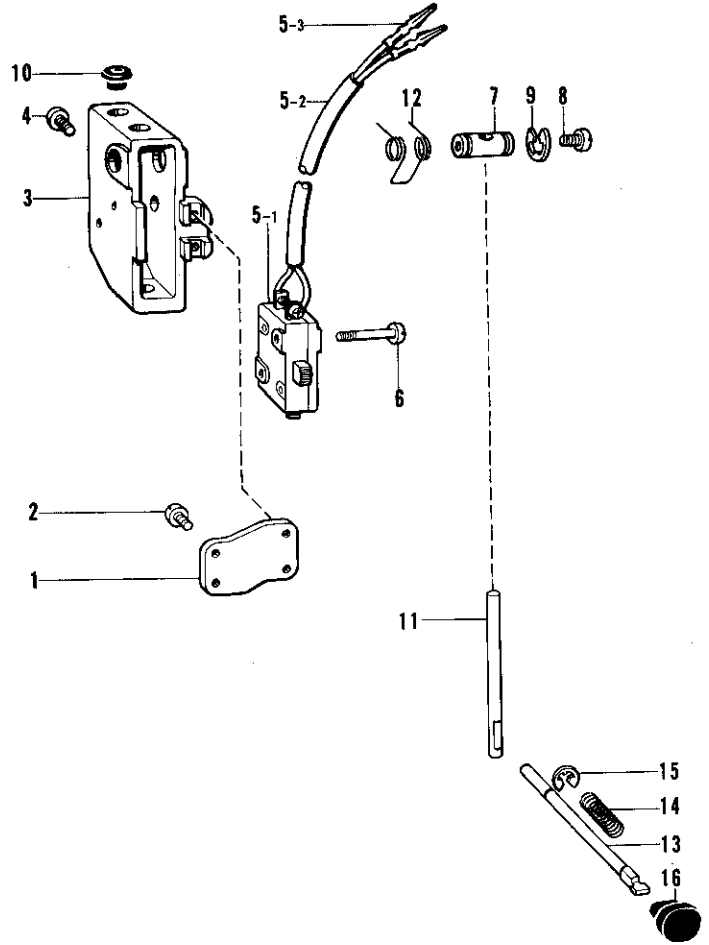
P.

Tension release mechanism (-300)
 Spannung sverminderung svorrichtung (-300)
 Mécanisme de interrupteur de marche arrière rapide (-300)
 Mecanismo de liberador de tensión (-300)



Q.

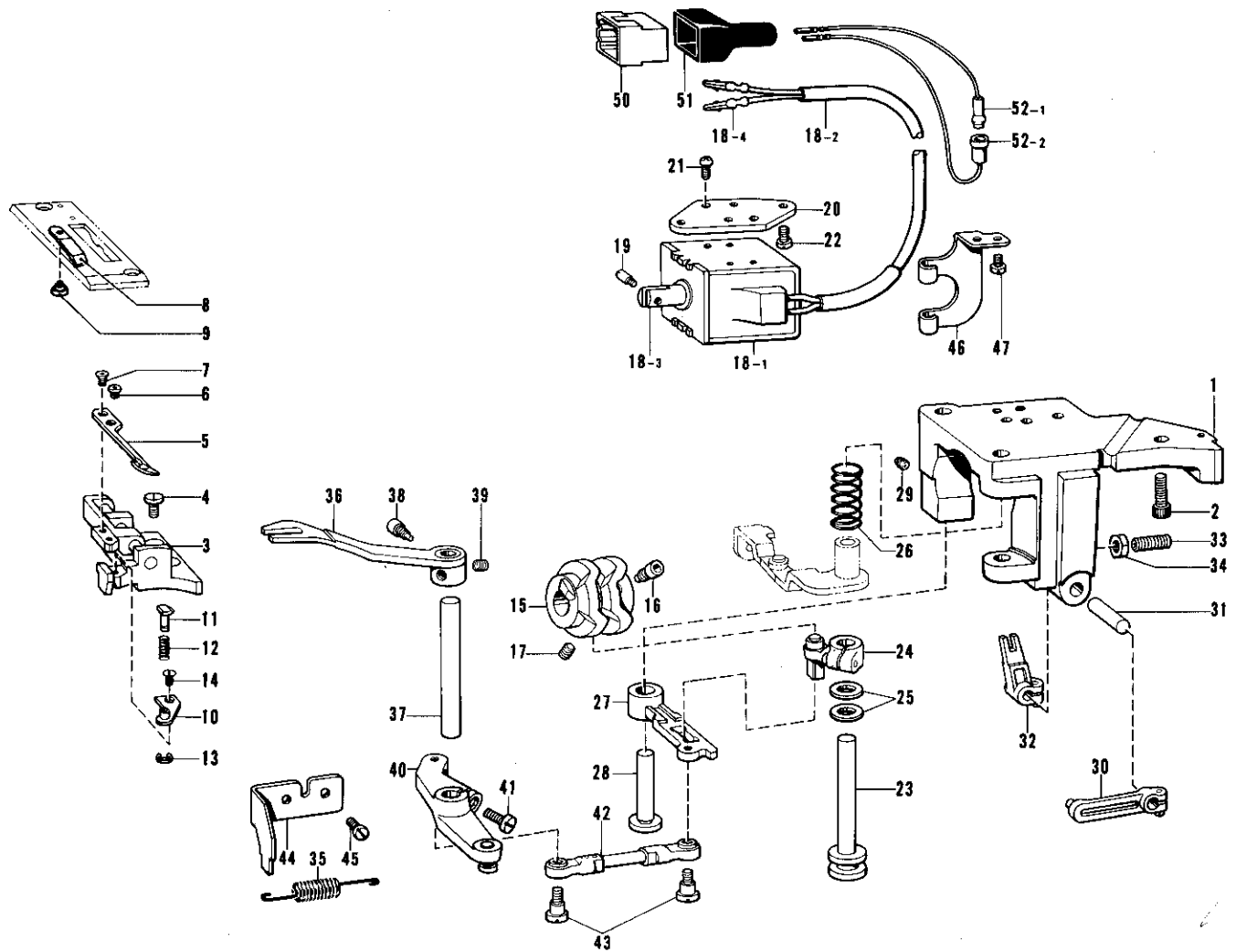
Quick reverse switch mechanism (-300)
 Umkehrschalter (-300)
 Mécanisme de interrupteur de marche arrière rapide (-300)
 Mecanismo de conmutador de inversión rápida (-300)



Ref. No.	Name of Parts	Q'ty	Parts No.	Assembly No.
1	Tension Release Rock Lever Assembly	1	148619-001	
2	Tension Release Connecting Rod (Lower) Assembly	1	148623-001	
3	Stud Screw 4.37	2	123882-001	
4	Tension Release Crank (Lower)	1	148625-001	
5	Stud Screw 6.35	1	148628-001	
6	Stud	1	148629-001	
7	Tension Release Crank	1	156409-001	
8	Stud Screw 6.35	1	148628-001	
9	Stud Screw 4.76	1	110171-001	
10	Tension Release Rod (Upper)	1	156412-001	
11	Joint	2	148632-001	
12	Nut 3.57	2	021670-102	
13	Screw	2	148768-001	
14	Tension Release Base	1	156410-001	
15	Screw 437-40 x 14	2	062681-412	
16	Tension Release Plate	1	156411-001	
17	Stud Screw 3.57	1	148633-001	
18	Tension Release Shaft	1	156413-001	
19	Pipe	1	112714-000	
20	Spring Hook	1	115177-001	
21	Spring	1	148654-001	

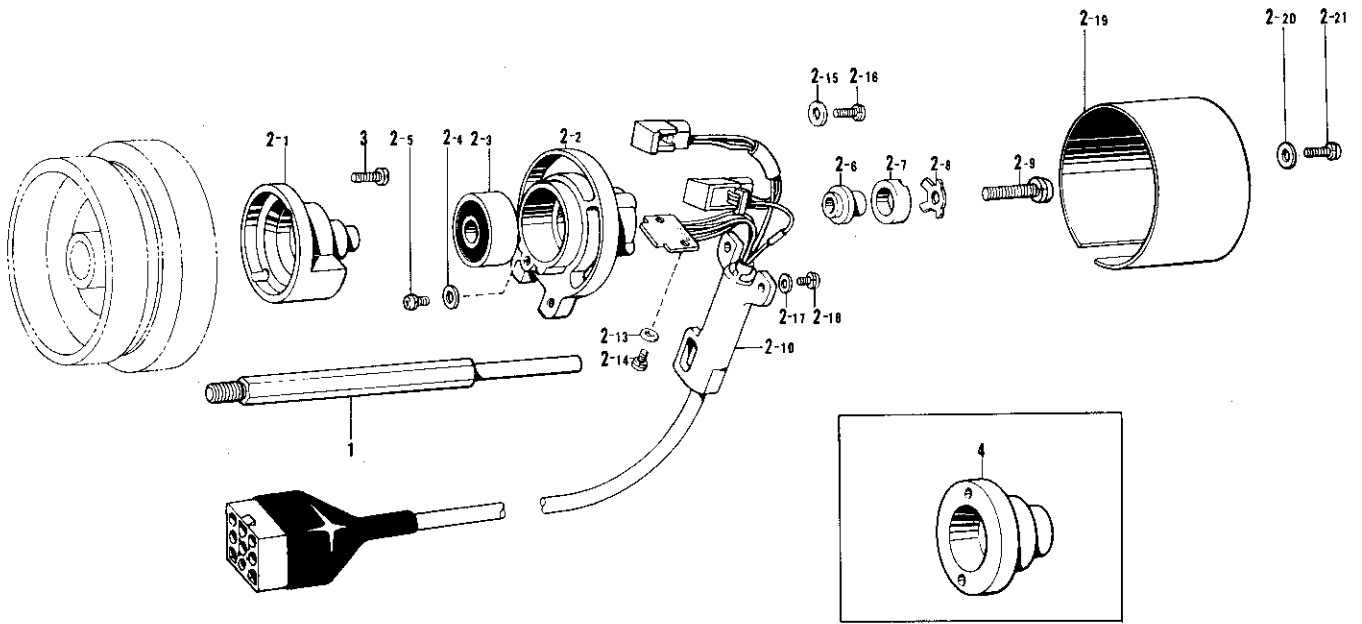
Ref. No.	Name of Parts	Q'ty	Parts No.	Assembly No.
1	Micro Switch Base	1	156415-001	
2	Screw	2	062680-812	
3	Reverse Switch Case	1	146120-002	
4	Screw 357-40 x 8	2	062670-812	
5-1	Micro Switch	1		Q-5 Reverse Switch Assembly (for BROTHER Motor) 159896-000 (for EFK A Motor) 156548-001
5-2	Reverse Switch Cord	1		
5-3	Terminal Pin (for BROTHER Motor)	2	143549-000	
6	Screw 2.38	2	146124-001	
7	Actuator Pin	1	146125-001	
8	Screw 437-40 x 14	1	062681-412	
9	Stop Ring E8	2	048080-342	
10	Bushing	1	146080-000	
11	Actuator Bar	1	156418-001	
12	Spring	1	156419-001	
13	Actuator Bar	1	156416-001	
14	Spring	1	156417-001	
15	Stop Ring E4	1	048040-342	
16	Button	1	156479-000	

N. Thread trimmer mechanism (-300) / Fadenabschneidevorrichtung (-300)
 Mécanisme de coupe-fill (-300) / Mecanismo de recortadora de orillos (-300)



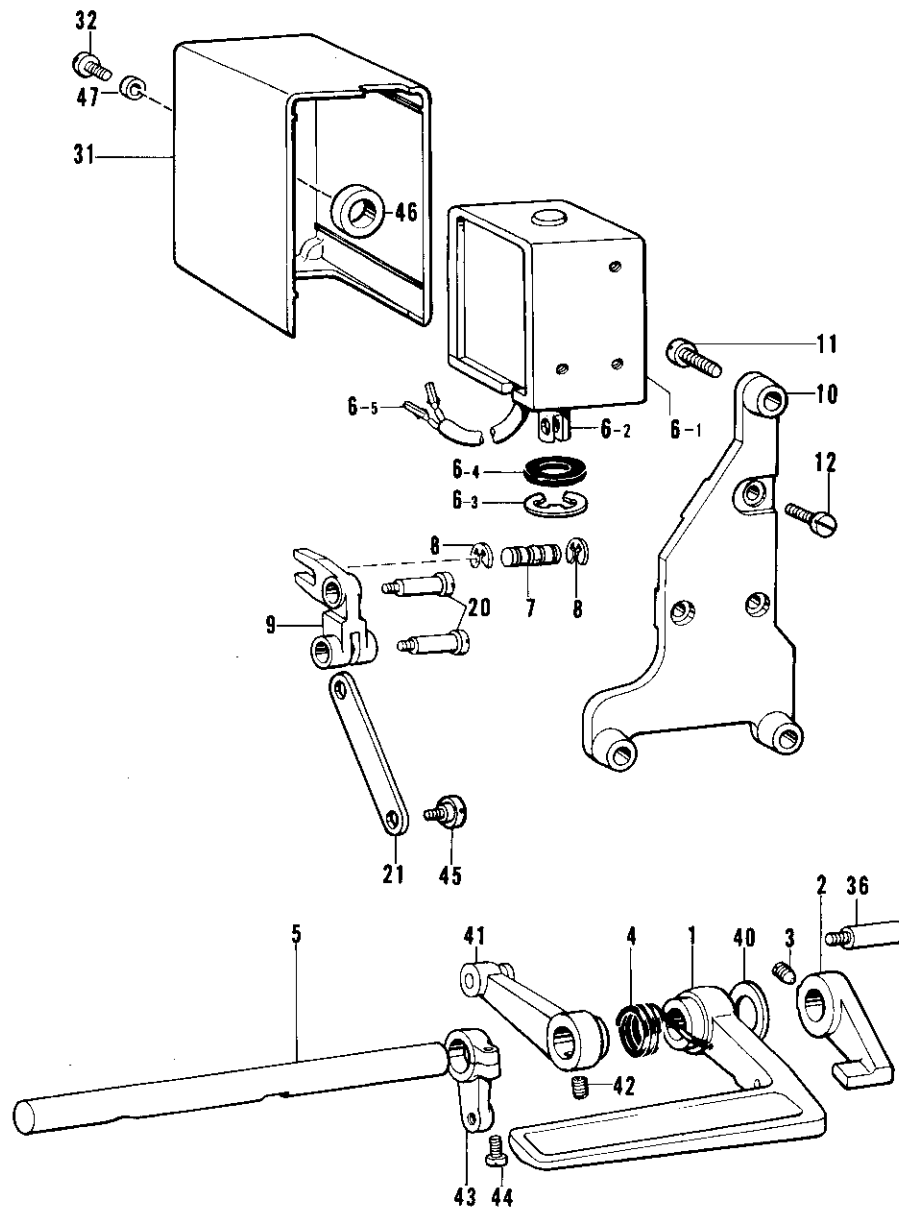
Ref. No.	Name of Parts	Q'ty	Parts No.	Assembly No.	Ref. No.	Parts No.	Q'ty	Parts No.	Assembly No.
1	Movable Knife Base Bracket	1	148482-101		25	Rubber	2	148559-000	
2	Bolt 6 x 16	3	018061-622		26	Spring	1	148555-001	
3	Movable Knife Base Assembly	1	S01028-001		27	Knife Sub Lever	1	158814-001	
4	Screw 476-32 x 8	2	062710-812		28	Knife Sub Lever Shaft	1	148554-001	
5	Movable Knife	1	159365-001		29	Screw 5.95	1	100289-003	
6	Screw 4.37	1	148536-001		30	Pin Lever	1	181712-001	
7	Screw 4.37	1	148537-001		31	Shaft 6.35 x 27	1	148557-001	
8	Fixed Knife (Right)	1	149169-001		32	Plunger Lever	1	181713-001	
9	Stud Screw 2.38	1	148539-001		33	Screw 7.14	1	011802-012	
10	Thread Presser Plate	1	156403-001		34	Nut 7.14	1	100078-003	
11	Thread Presser	1	156404-001		35	Spring	1	148571-001	
12	Thread Presser Spring	1	156405-101		36	Knife Rock Arm	1	S01036-001	
13	Stop Ring E1.5	1	048015-346		37	Knife Rock Arm Shaft	1	148573-001	
14	Screw 3.18	1	141542-001		38	Screw 6.35	1	148574-001	
15	Knife Driving Cam	1	S01032-001		39	Screw 6.35 x 6	1	014770-622	
16	Screw 6.35	1	148574-001		40	Knife Rock Lever (Right) Assembly	1	S01033-001	
17	Screw 6.35 x 6	1	014770-622		41	Screw 476-32 x 14	1	062711-412	
18-1	Thread Trimmer Solenoid	1		N-18 Thread Trimmer Solenoid Assembly (for BROTHER Motor) 159900-001 (for EFKA Motor) 156550-001	42	Joint Assembly	1	156406-001	
18-2	Solenoid Cord	1			43	Screw	2	141494-001	
18-3	Plunger	1	148545-001		44	Spring Hook (Right)	1	156408-001	
18-4	Terminal Pin (for BROTHER Motor)	2	143549-000		45	Screw 476-32 x 10	2	062711-012	
19	Pin	1	148546-001		46	Cord Supporter	1	148655-001	
20	Solenoid Bracket	1	148561-101	47	Screw 476-32 x 18	2	062710-812		
21	Screw 4 x 8	4	002400-803	50	Nylon Connector 12P	1	153969-000		
22	Screw 476-32 x 10	2	062711-012	51	Connector Cap 5	1	153971-001		
23	Knife Main Lever Shaft	1	148547-001	52-1	Cord (R)	1	S00897-000	N-52 Cord Assembly (for BROTHER Motor) S00896-000	
24	Knife Main Lever	1	148548-001	52-2	Cord (P)	1	S00899-000		

S. Synchronizer (-300) / Synchronisator (-300)
 Synchronisateur (-300) / Sincronizador (-300)



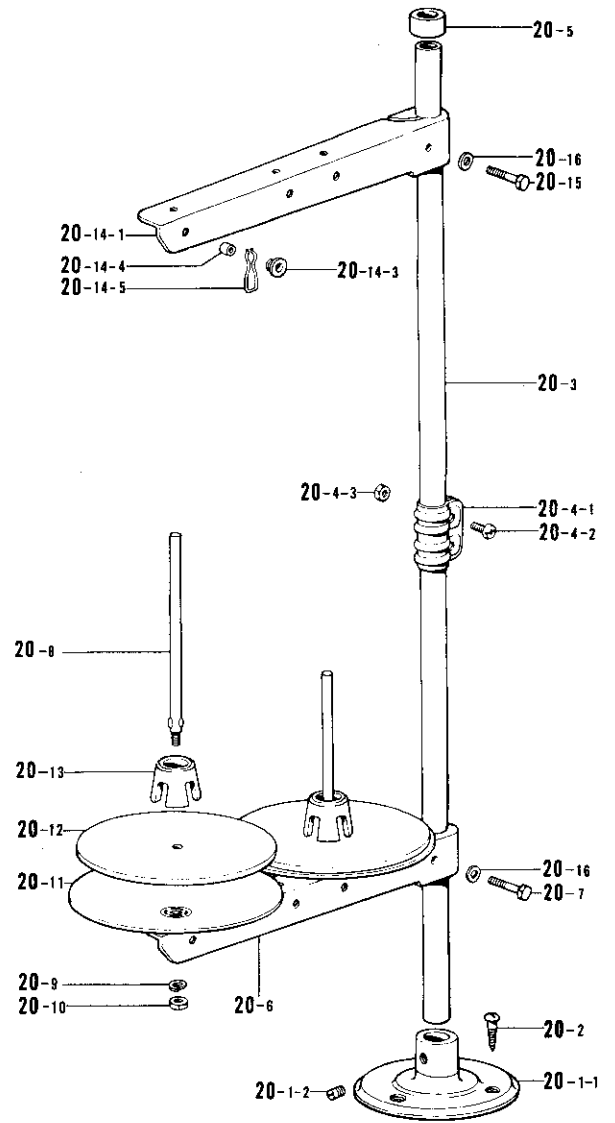
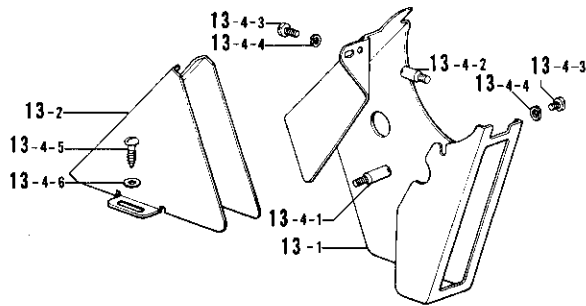
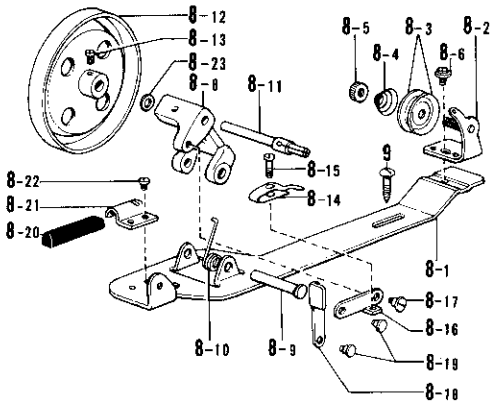
Ref. No.	Name of Parts	Q'ty	Parts No.	Assembly No.	Ref. No.	Name of Parts	Q'ty	Parts No.	Assembly No.
1	Synchronizer Holder Stud		156414-001		2-13	Washer 3	2	025030-135	
2- 1	Magnet Stud #3				2-14	Screw 3 x 6D	2	215083-001	
2- 2	Synchronizer Holder #3				2-15	Washer 4	2	025040-335	S-2
2- 3	Ball Bearing 6201				2-16	Screw 4 x 12D	2	217093-001	Synchronizer
2- 4	Washer 3		025030-335	S-2	2-17	Washer 4	2	025040-135	Assembly
2- 5	Screw 3 x 6D		215083-001	# 10-2	2-18	Screw 4 x 12D	2	217093-001	# 10-2
2- 6	Magnet Setting Bracket		219557-000	224357-001	2-19	Synchronizer Cover #4	1	224349-001	224357-001
2- 7	Magnet 12 x 18.7 x 6		219558-000		2-20	Washer 4	2	025040-335	
2- 8	Magnet Holder Plate		219559-001		2-21	Screw 4 x 12D	2	217093-001	
2- 9	Screw 6 x 25D		221421-001		3	Screw 476-32 x 14	2	062711-412	
2-10	Hole I.C with Cord #7				4	Slip Ring Support (for EFKA Motor)	1	148825-001	

R. Quick reverse mechanism (-300) / Umkehr
 Mécanisme de marche arrière rapide (-300) / Mecanismo de inversión rápida (-300)



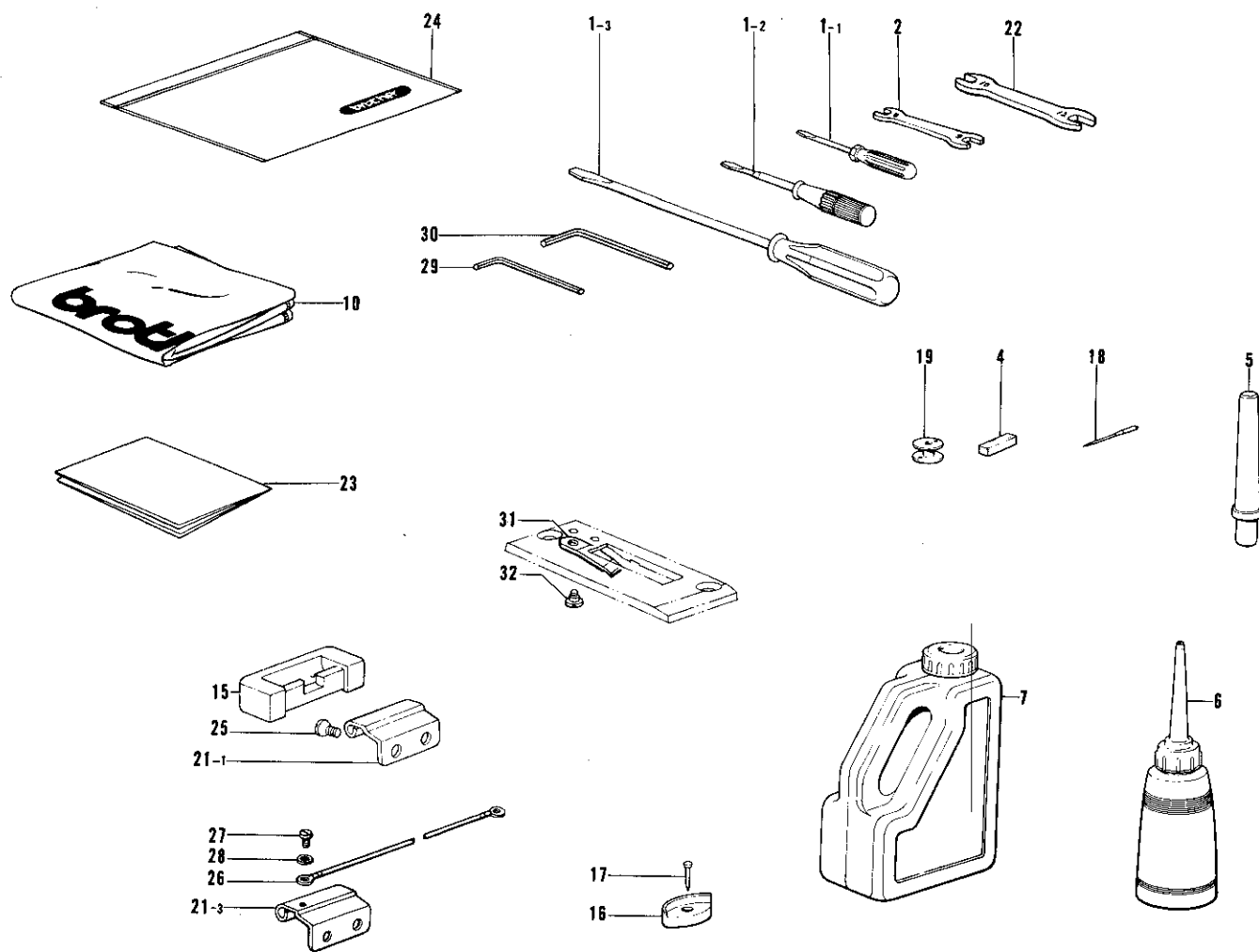
Ref. No.	Name of Parts	Q'ty	Parts No.	Assembly No.	Ref. No.	Name of Parts	Q'ty	Parts No.	Assembly No.
1	Reverse Lever	1	156362-001		12	Screw 5 x 8	3	007500-802	
2	Reverse Lever (B)	1	148607-002		20	Stud Screw 4.76	2	148764-001	
3	Screw 6.35 x 10	1	015771-012		21	Reverse Link	1	149063-001	
4	Spring	1	148608-001		31	Solenoid Cover	1	146105-000	
5	Reverse Lever Shaft	1	159429-001		32	Screw 5 x 6	1	007500-602	
6-1	Solenoid	1		R-6	36	Screw	1	141748-001	
6-2	Plunger	1	154729-001	Reverse Solenoid Assembly (for BROTHER Motor) 159902-001 (for EPKA Motor) 154734-001	40	Thrust Ring	1	149554-001	
6-3	Stop Ring E15	1	154730-001		41	Feed Regulator Link	1	148638-001	
6-4	Rubber Stopper	1	154731-000		42	Screw 5.95 x 6	1	014760-622	
6-5	Terminal Pin (for BROTHER Motor)	2	143549-000		43	Reverse Lever Shaft Arm	1	148640-001	
7	Pin	1	149174-001		44	Screw 476-32 x 14	1	062711-412	
8	Stop Ping E4	2	048040-342		45	Stud Screw 4.76	1	110171-001	
9	Reverse Crank	1	158753-001		46	Solenoid Rubber	1	S01327-001	
10	Reverse Solenoid Bracket	1	158752-001		47	Collar	1	S01328-001	
11	Screw 635-28 x 25	3	062782-512						

Z. Accessories (2) / Zubehör (2)
 Accessoires (2) / Accesorios (2)



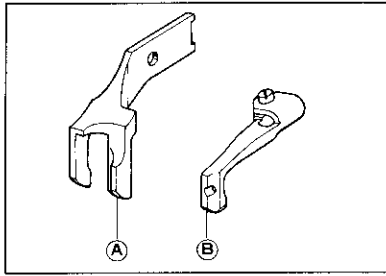
Ref. No.	Name of Parts	Q'ty	Parts No.	Assembly No.	Ref. No.	Name of Parts	Q'ty	Parts No.	Assembly No.
8- 1	Bobbin Winder Wheel Bracket	1		Z-8 Bobbin Winder Assembly 117963-001	13- 4-3	Screw 437-40 x 8	2	062680-812	Z-13
8- 2	Bobbin Winder Guide Assembly	1			13- 4-4	Washer 2-4.37	2	028680-242	Belt Cover
8- 3	Tension Disc	2	145446-001		13- 4-5	Screw 5.5 x 20	2	100666-002	Complete (D)
8- 4	Tension Spring	1	100401-001		13- 4-6	Washer 5.56	2	025750-132	147908-001
8- 5	Tension Control Nut	1	100136-002		20- 1-1	Cotton Stand Base	1		Z-20-1 Cotton Stand Base Assembly 150139-001
8- 6	Screw 4.37	1			20- 1-2	Screw 6 x 7	2	150181-101	
8- 8	Bobbin Winder Wheel Shaft Supporter	1			20- 2	Screw 4.5 x 22	3	031452-203	
8- 9	Pin	1			20- 3	Pipe	2	150172-001	
8-10	Spring	1	117969-001		20- 4-1	Joint	1		Z-20-4 Joint for Cotton Stand 150106-001
8-11	Bobbin Winder Shaft	1	117970-001		20- 4-2	Screw 5 x 14	1	150202-001	
8-12	Bobbin Winder Wheel Assembly	1			20- 4-3	Nut 5	1	021500-103	
8-13	Screw 4.37 x 5	1	100366-002		20- 5	Cap	1		
8-14	Bobbin Presser	1	100656-001		20- 6	Spool Holder 2	1	150178-001	
8-15	Screw 3.18	1	100657-001		20- 7	Bolt 5 x 28	1	017502-803	Z-20 Cotton Stand Assembly 150150-003
8-16	Bobbin Presser Arm	1			20- 8	Spool Shaft (B)	2	150179-001	
8-17	Stud Screw 3.18	1	100659-001		20- 9	Washer 2-5	2	028050-243	
8-18	Bobbin Presser Bracket	1			20-10	Nut 5	2	021500-103	
8-19	Pin	2			20-11	Spool Stand Base	2	150180-000	
8-20	Bobbin Winder Wheel Stopper	1	100662-001		20-12	Spool Mat	2	150182-000	
8-21	Bobbin Winder Wheel Stopper	1			20-13	Spool Cushion	2	126863-000	
8-22	Screw 3.57 x 3.5	1	S01297-001		20-14-1	Spool Holder 2	1	150178-001	Z-20-14 Thread Hanger
8-23	Washer	2			20-14-3	Thread Hanger	2		Assmmbly
9	Screw 5.5 x 20	2	100666-002		20-14-4	Thread Bushing	2	142990-001	150192-003
13- 1	Belt Cover (UD)	1		20-14-5	Thread Guide Spring	2	150184-001		
13- 2	Belt Cover (D)	1		20-15	Bolt 5 x 28	1	017502-803		
13- 4-1	Belt Cover Stud (B)	1	147856-002	20-16	Washer 5	2	025050-233		
13- 4-2	Stud (D)	1	147858-001						

Z. Accessories (1) / Zubehör (1)
 Accessorios (1) / Accesorios (1)



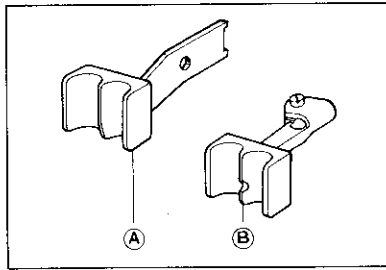
Ref. No.	Name of Parts	Q'ty	Parts No.	Assembly No.	Ref. No.	Name of Parts	Q'ty	Parts No.	Assembly No.
1-1	Screw Driver 1.9 x 52	1	142443-001		19	Bobbin (for Thread Trimmer)	5	156380-001	
1-2	Screw Driver 3.4 x 70	1	118837-001		21-1	Head Hinge (for Standard)	2	148882-001	
1-3	Screw Driver 5.5 x 190	1	101572-101		21-3	Head Hinge (for Thread Trimmer)	1	148882-001	
2	Spanner 8 x 9	1	100887-001		21-3	Hinge (E) (for Thread Trimmer)	1	150557-001	
4	Felt	2	114941-001		22	Spanner 10 x 12	1	107780-001	
5	Head Rest (for Standard)	1	100477-001		23	Table Sheet	1	150381-001	
5	Head Rest (for Thread Trimmer)	1	149010-000		24	Vinyl Bag	1	122991-001	
6	Oiler	1	114483-002		25	Screw 6.35	4	112569-001	
7	Oil Tank	1	154702-001		26	Earth Wire (for Thread Trimmer)	1	145946-001	
10	Head Cover	1	144222-001		27	Screw 437-40 x 6 (for Thread Trimmer)	1	062680-616	
15	Rubber Hinge	2	143910-001		28	Washer 4.37 (for Thread Trimmer)	1	025680-133	
16	Head Cushion	4	148890-101		29	Spanner 2 (for Thread Trimmer)	1	142002-001	
17	Nail	8	109714-000		30	Spanner 3 (for Thread Trimmer)	1	142721-001	
18	Needle DP x 17 #23 (for Standard)	4	145646-023		31	Fixed Knife (Right) (for Thread Trimmer)	1	149169-001	
18	Needle DP x 17 #22 (for Thread Trimmer)	4	145646-022		32	Stud Screw 2.38 (for Thread Trimmer)	1	148539-001	
19	Bobbin (for Standard)	4	150971-001						

5) Curved welting feet



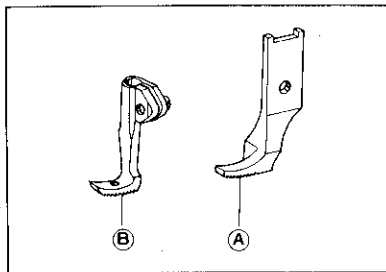
Size	Parts No.	
	Ⓐ Walking Foot	Ⓑ Presser Foot Assembly
3/16" (4.8mm)	151548-001	183022-001
1/4" (6.4mm)	151550-001	183023-001
5/16" (7.9mm)	151552-001	183024-001
3/8" (9.5mm)	151554-001	183025-001
1/2" (12.7mm)	151556-001	183026-001

6) Double welting feet



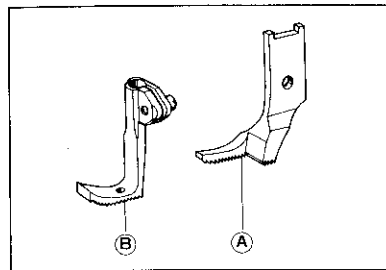
Size	Parts No.	
	Ⓐ Walking Foot	Ⓑ Presser Foot Assembly
3/16" (4.8mm)	151558-001	183027-001
1/4" (6.4mm)	151560-001	183028-001
3/8" (9.5mm)	151562-001	183029-001

7) Feet with teeth, right



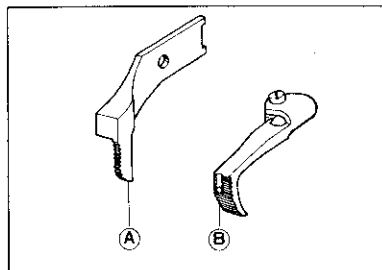
Size	Parts No.	
	Ⓐ Walking Foot	Ⓑ Presser Foot Assembly
3/16" (4.8mm)	151564-001	183030-001

8) Feet with teeth, left



Size	Parts No.	
	Ⓐ Walking Foot	Ⓑ Presser Foot Assembly
3/16" (4.8mm)	151566-001	183031-001

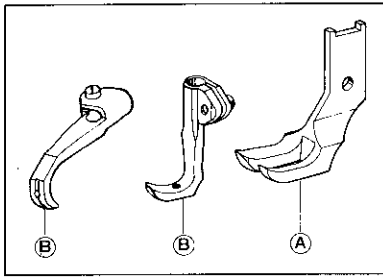
9) Narrow type feet for leather



Size	Parts No.	
	Ⓐ Walking Foot	Ⓑ Presser Foot Assembly
3/16" (4.8mm)	151568-001	183032-001

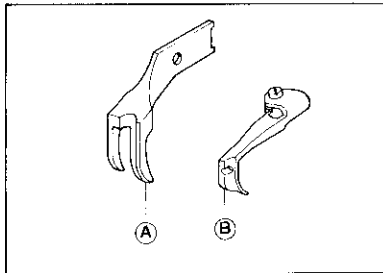
Gauge parts list / Lehrenliste
 Liste des pièces d'écartement / Lista de piezas calibradoras

1) Standard feet



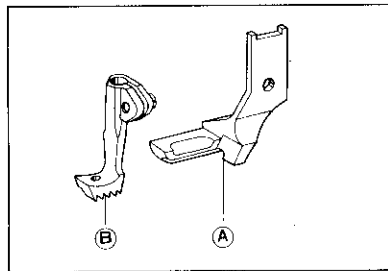
	Parts No.	
	(A) Walking Foot	(B) Presser Foot Assembly
Without Groove (for Standard)	150962-001	183007-001
With Groove (for Thread Trimmer)		183181-001

2) Welting feet



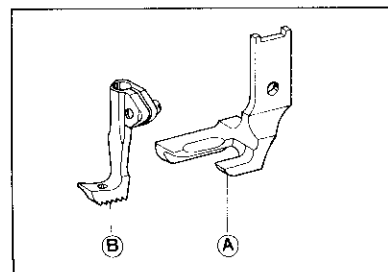
Size	Parts No.	
	(A) Walking Foot	(B) Presser Foot Assembly
1/8" (3.2mm)	151520-001	183008-001
5/32" (4.0mm)	151522-001	
3/16" (4.8mm)	151524-001	
1/4" (6.4mm)	151526-001	
5/16" (7.9mm)	151528-001	
3/8" (9.5mm)	151530-001	
1/2" (12.7mm)	151532-001	183014-001
5/8" (15.9mm)	151534-001	183015-001

3) Welting feet with teeth on presser foot



Size	Parts No.	
	(A) Walking Foot	(B) Presser Foot Assembly
3/16" (4.8mm)	151536-001	183016-001
1/4" (6.4mm)	151538-001	183017-001
5/16" (7.9mm)	151540-001	183018-001

4) Welting feet with teeth on presser foot



Size	Parts No.	
	(A) Walking Foot	(B) Presser Foot Assembly
3/16" (4.8mm)	151540-001	183019-001
1/4" (6.4mm)	151544-001	183020-001
5/16" (7.9mm)	151546-001	183021-001

Parts No.	Ref. No.	Remark	Parts No.	Ref. No.	Remark	Parts No.	Ref. No.	Remark	Parts No.	Ref. No.	Remark
150987-001	L-18-12		151601-002	F-33-2		156453-001	F-23		100136-002	Z-8-5	
150988-001	M-1		151602-001	G-16		156454-001	F-34		100656-001	Z-8-14	
150989-000	M-6			G-42		156463-001	K-25		151027-001	K-7-1-11	
150990-001	M-7		151602-002	A-16		156479-000	Q-16		151491-001	K-7-2	
150993-101	M-9		151603-001	L-18-4		156548-001	Q-5		156473-001	K-7-2	
150994-000	M-10		151605-001	F-5		156550-001	N-18		159944-001	K-7-1	
150995-000	M-15			G-33-2		156824-001	F-33				
150996-000	M-17			L-4		156825-001	F-33 1				
150997-000	M-22		153112-001	A-8		156956-001	G-41				
150998-000	M-23		153168-001	G-5		158384-001	H-2				
150999-000	M-39		153215-001	B-25		158747-001	G-11-2				
151000-100	M-40		153231-001	G-6		158748-001	G-22-2				
151001-000	M-41		153483-001	K-14		158752-001	R-10				
151002-000	M-43		153969-000	N-50		158753-001	R-9				
151003-000	M-45		153971-001	N-51		158782-101	B-22				
151004-000	M-46		154702-001	Z-7		158814-001	N-27				
151005-000	M-47		154729-001	R-6-2		159365-001	N-5				
151006-001	M-65		154730-001	R-6-3		159429-001	R-5				
151007-101	M-71		154731-000	R-6-4		159436-001	F-31				
151008-001	B-3		154734-001	R-6		159805-001	B-4-2-4				
151009-001	B-4-1		155447-101	F-29		159896-000	Q-5				
151011-001	B-4-1-11		155448-001	G-17		159900-001	N-18				
	B-4-2-10		155449-001	G-18		159902-001	R-6				
151012-001	B-4-1-16		155485-001	M-97		180157-001	C-20				
	B-4-2-15		155487-001	M-86		180321-001	G-3				
151013-001	B-11		155493-001	B-24		180949-001	L-10				
151014-001	B-18		155510-001	B-23		180950-001	F-15				
151015-001	E-9		156352-001	A-24		181486-001	L-9				
151029-001	K-7-2-7		156353-001	A-25		181712-001	N-30				
151030-001	K-7-2-8		156360-001	G-32-2		181713-001	N-32				
151072-001	F-23		156362-001	R-1		183007-001	H-5				
151073-001	F-22		156374-001	H-9		183008-001	H-5				
151080-001	G-24		156376-001	H-10		183014-001	H-5				
151090-001	E-7		156377-001	K-1-2		183015-001	H-5				
151097-000	M-75		156378-001	K-2		183016-001	H-5				
151098-001	F-34		156380-001	K-24		183017-001	H-5				
151148-001	B-4-1-17			Z-19		183018-001	H-5				
	B-4-2-16		156382-001	L-18		183019-001	H-5				
151191-001	D-27		156383-001	L-18-12		183020-001	H-5				
151192-001	D-29		156384-001	A-21		183021-001	H-5				
151193-001	D-30		156385-001	L-15		183022-001	H-5				
151495-001	K-7-2-6		156386-000	M-85		183023-001	H-5				
151520-001	H-7		156387-001	M-88		183024-001	H-5				
151522-001	H-7		156388-000	M-90		183025-001	H-5				
151524-001	H-7		156389-001	M-92		183026-001	H-5				
151526-001	H-7		156390-001	M-93		183027-001	H-5				
151528-001	H-7		156391-000	M-94		183028-001	H-5				
151530-001	H-7		156392-000	M-96		183029-001	H-5				
151532-001	H-7		156393-001	B-4-2		183030-001	H-5				
151534-001	H-7		156394-001	B-4-2-12		183031-001	H-5				
151536-001	H-7		156395-001	B-20		183032-001	H-5				
151538-001	H-7		156403-001	N-10		183181-001	H-5				
151540-001	H-7		156404-001	N-11		203735-001	D-23				
151542-001	H-7		156405-101	N-12		215083-001	S-2-5				
151544-001	H-7		156406-001	N-42			S-2-14				
151546-001	H-7		156408-001	N-44		217093-001	S-2-16				
151548-001	H-7		156409-001	P-7			S-2-18				
151550-001	H-7		156410-001	P-14			S-2-21				
151552-001	H-7		156411-001	P-16		219557-000	S-2-6				
151554-001	H-7		156412-001	P-10		219558-000	S-2-7				
151556-001	H-7		156413-001	P-18		219559-001	S-2-8				
151558-001	H-7		156414-001	S-1		221421-001	S-2-9				
151560-001	H-7		156415-001	Q-1		224349-001	S-2-19				
151562-001	H-7		156416-001	Q-13		224357-001	S-2				
151564-001	H-7		156417-001	Q-14		224358-001	S-2-10				
151566-001	H-7		156418-001	Q-11							
151568-001	H-7		156419-001	Q-12		S01025-001	K-7-1				

118-837
195837-302
1983, 9