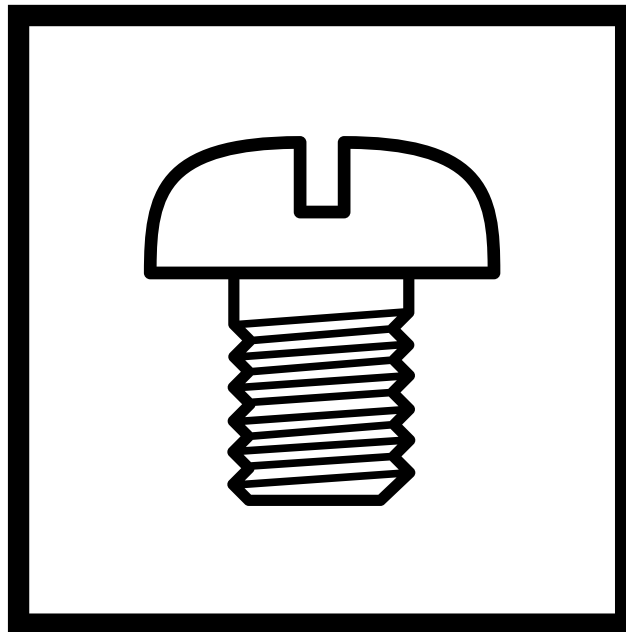


BAS-705

PARTS BOOK
TEILEKATALOG
LIVRE DES PIECES
LIBRO DE REFERENCIA DE PIEZAS

AUTOMATIC TWIN NEEDLE BELT LOOP SEWER
ZWEINADEL GÜTELSCHLAUFEN AUFNÄH -AUTOMAT
POSE PASSANTS AUTOMATIQUE - 2 AIGUILLES
COSEDORA AUTOMATICA DE PASADORES CON DOS AGUJAS



Notes for using this parts book

1. This book was prepared based on information available in May 1998.
2. Parts are subject to changes in design without prior notice.
3. Parts supplied as complete assemblies are circled by a dotted line: [.....].
4. If the symbol * is found in the "Parts No." column, refer to the gauge parts list on page 75.

CONTENTS

A1	Machine body	1
A2	Machine body	3
B	Upper shaft and needle bar mechanism	7
C1	Feed mechanism	9
C2	Feed mechanism	11
D1	Feeder mechanism	13
D2	Feeder mechanism	15
D3	Feeder mechanism	19
D4	Feeder mechanism	23
D5	Feeder mechanism (Option parts)	27
E	Lower shaft mechanism	29
F	Lower shaft module mechanism	31
G1	Lubrication	35
G2	Lubrication	37
H	Thread wiper mechanism	37
J	Threading mechanism	39
K	Bobbin winder mechanism	41
L	Thread trimmer mechanism	43

M	Thread nipper mechanism	47
N	Synchronizer	47
P	Control box mechanism	49
Q	Air pressure mechanism	51
R1	Power supply equipment mechanism	55
R2	Power supply equipment mechanism	61
S	Attachment set (Option parts)	61
T	Printed circuit board mechanism	63
U	Machine head parts	63
V	Power table	65
W1	Attachment set (Option parts)	67
W2	Attachment set (Option parts)	69
Z	Accessories	71
Ga	Gauge parts List	75
Wa1	Warning labels	77
Wa2	Warning labels	78

Hinweise zur Verwendung dieser Teileliste

1. Dieses Buch basiert auf den Informationen vom Mai 1998.
2. Modelländerungen sind vorbehalten.
3. Die Teile, die als kompletter Satz geliefert werden, sind mit einer gestrichelten Linie umrandet.
4. Dieses Zeichen * in der Spalte "Parts No. (Teil-nummer)" verweist auf die Lehrenliste auf Seite 75.

INHALTSVERZEICHNIS

A1	Maschinengehäuse	1
A2	Maschinengehäuse	3
B	Obere Welle und Nadelstangenvorrichtung	7
C1	Transportvorrichtung	9
C2	Transportvorrichtung	11
D1	Knopfsortierer	13
D2	Knopfsortierer	15
D3	Knopfsortierer	19
D4	Knopfsortierer	23
D5	Knopfsortierer (Sonderzubehör)	27
E	Untere Welle	29
F	Module für untere Welle	31
G1	Schmierung	35
G2	Schmierung	37
H	Fadenwischvorrichtung	37
J	Fadenführungsvorrichtung	39
K	Spuler	41
L	Fadenabschneidevorrichtung	43

M	Fadenspannvorrichtung	47
N	Synchronisator	47
P	Schaltkasten	49
Q	Luftdruck	51
R1	Stromversorgung	55
R2	Stromversorgung	61
S	Anbausatz (Sonderzubehör)	61
T	Leiterplatten	63
U	Teile des maschinenbeteils	63
V	Motorgestell	65
W1	Anbausatz (Sonderzubehör)	67
W2	Anbausatz (Sonderzubehör)	69
Z	Zubehör	71
Ga	Lehrenliste	75
Wa1	Warnschilder	77
Wa2	Warnschilder	78

Notes sur l'utilisation de ce manuel de pièces détachées

1. Ce manuel a été fait d'après les renseignements valables au mois de Mai 1998.
2. Les pièces peuvent être sujettes à des modifications sans préavis.
3. Les pièces fournies en tant qu'assemblages complets sont encadrées avec un trait pointillé.
4. Si le symbole * se trouve dans la colonne "Parts No. (N° de pièce)" veuillez la Liste des Pièces de cartment annexe page 75.

TABLE DES MATIERES

A1	Corps de la machine	1
A2	Corps de la machine	3
B	Mécanisme de arbre supérieur et barra á aiguille	7
C1	Mécanisme de l'entraînement	9
C2	Mécanisme de l'entraînement	11
D1	Tricur de boutons	13
D2	Tricur de boutons	15
D3	Tricur de boutons	19
D4	Tricur de boutons	23
D5	Tricur de boutons (Pièces en option)	27
E	Mécanisme de l'arbre inférieur	29
F	Mécanisme de module d' arbre inférieur	31
G1	Lubrification	35
G2	Lubrification	37
H	Mécanisme de tire-fil	37
J	Mécanisme de l'enfilage	39
K	Mécanisme du bobineur	41
L	Mécanisme de coupe-fil	43

M	Mécanisme de pince-fil	47
N	Synchronisateur	47
P	Mécanisme du boîtier de contrôle	49
Q	Mécanisme de la pression d'air	51
R1	Mécanisme de l'equipment en alimentation électrique	55
R2	Mécanisme de l'equipment en alimentation électrique	61
S	Jeu d'accessoires (Pièces en option)	61
T	Circuits imprimés	63
U	Pièces supérieures de la machine	63
V	Mécanisme du plateau de la machine	65
W1	Jeu d'accessoires (Pièces en option)	67
W2	Jeu d'accessoires (Pièces en option)	69
Z	Accessoires	71
Ga	Liste des Pièces de cartment	75
Wa1	Etiquettes d'avertissement	77
Wa2	Etiquettes d'avertissement	78

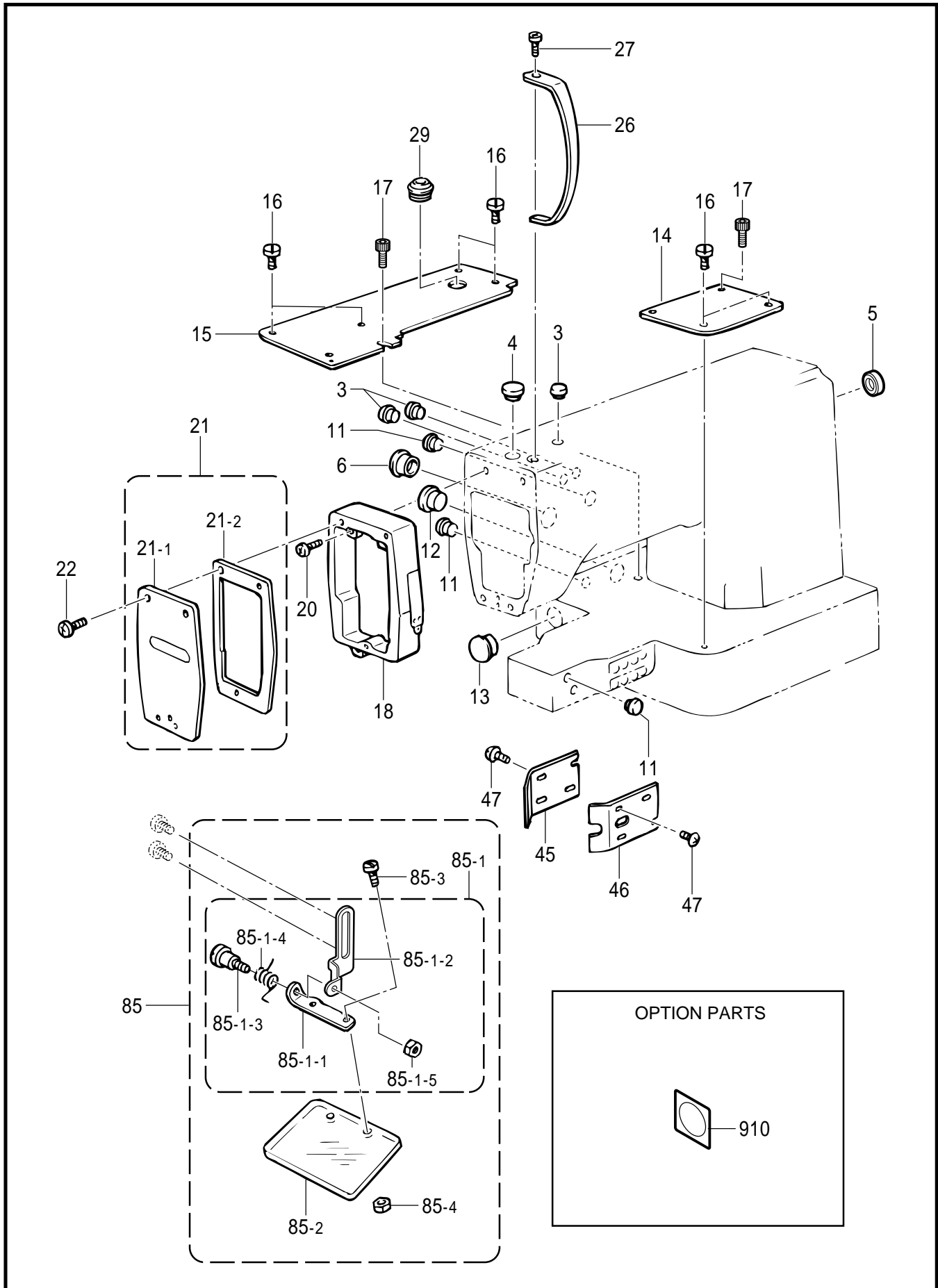
Notas para usar este Manual de Piezas

1. Este libro ha sido compilado basándose en los datos de que se disponía en mayo 1998.
2. Las piezas quedan sujetas a cambios de diseño sin aviso previo.
3. Las piezas suministradas como conjuntos completos se enmarcan con una línea punteada.
4. De haber un símbolo * junto al "Parts No. (Número de Pieza)", habrá que mirar la lista de piezas separada de la página 75.

INDICE

A1	Cuerpo de la máquina	1	M	Mecanismo de la mordaza para hilo	47
A2	Cuerpo de la máquina	3	N	Sincronizador	47
B	Mecanismo del eje superior y la barra de aguaja	7	P	Mecanismo de la caja de controles	49
C1	Mecanismo de la alimentación	9	Q	Mecanismo de la presión de aire	51
C2	Mecanismo de la alimentación	11	R1	Mecanismo del equipo de alimentación de corriente	55
D1	Mecanismo de botones	13	R2	Mecanismo del equipo de alimentación de corriente	61
D2	Mecanismo de botones	15	S	Juego de fijación (Piezas opcionales)	61
D3	Mecanismo de botones	19	T	Tableros de circuitos impresos	63
D4	Mecanismo de botones	23	U	Piezas de la cabeza de la máquina	63
D5	Mecanismo de botones (Piezas opcionales)	27	V	Mecanismo de la mesa de la máquina	65
E	Mecanismo del eje inferior	29	W1	Juego de fijación (Piezas opcionales)	67
F	Mecanismo de módulo de eje inferior	31	W2	Juego de fijación (Piezas opcionales)	69
G1	Lubricación	35	Z	Accesorios	71
G2	Lubricación	37	Ga	Lista de Piezas de calibradores	75
H	Mecanismo del limpiador de hilo	37	Wa1	Etiquetas de advertencia	77
J	Mecanismo del enhebrado	39	Wa2	Etiquetas de advertencia	78
K	Mecanismo del devanador de la canilla	41			
L	Mecanismo de la cortadura de hiros	43			

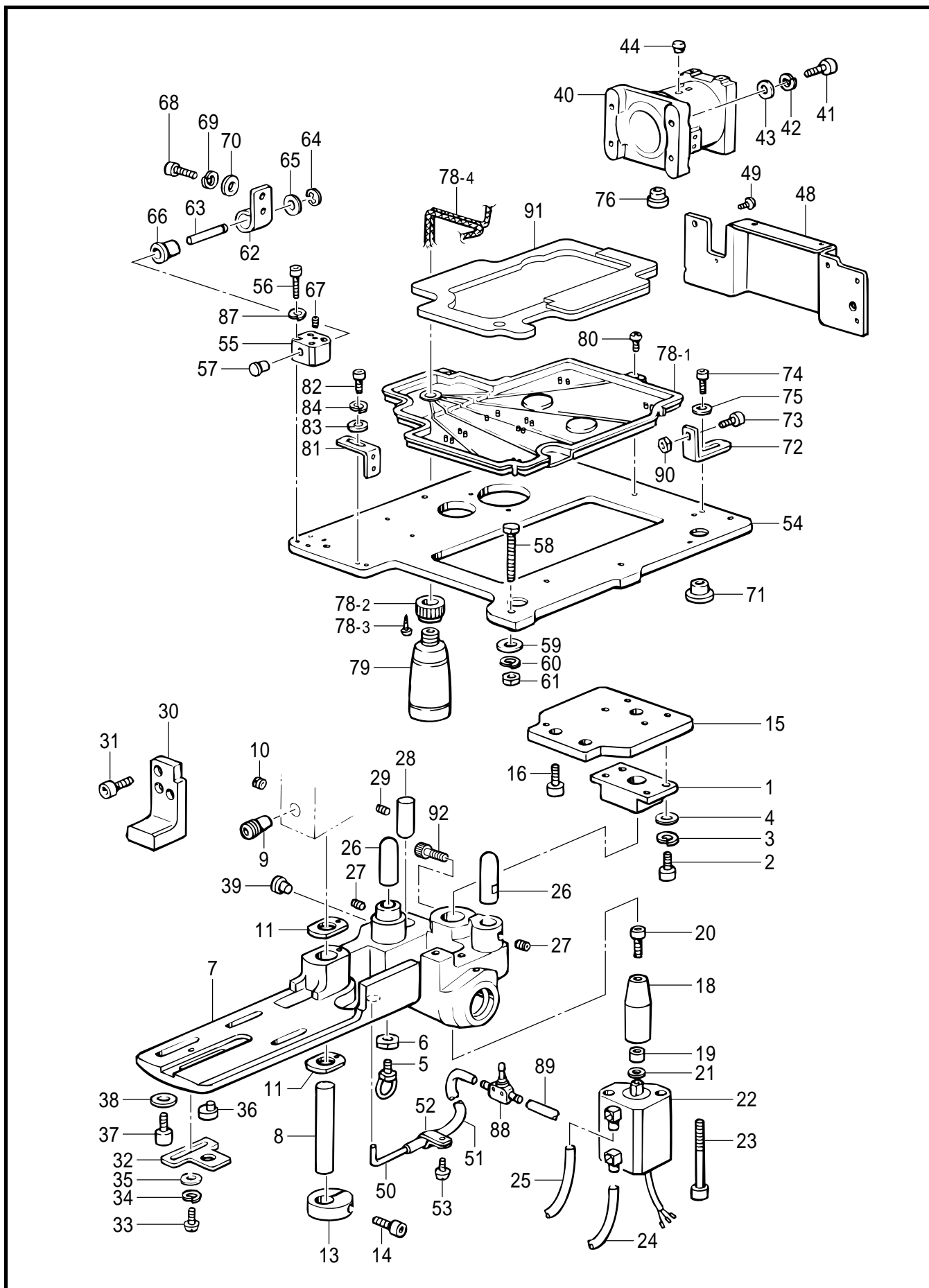
A1 . Machine body / Maschinengehäuse / Corps de la machine / Cuerpo de la máquina



A1. Machine body / Maschinengehäuse / Corps de la machine / Cuerpo de la máquina

REF.NO.	CODE	Q'TY	NAME OF PARTS	RM
3	104450109	3	RUBBER CAP, 8	
4	159928009	1	RUBBER CAP, 15	
5	S20164009	1	RUBBER CAP, 13	
6	140392009	1	OIL CAP	
11	104450109	3	RUBBER CAP, 8	
12	104449009	1	RUBBER CAP, 15.5	
13	140392009	1	OIL CAP	
14	S37915009	1	BED COVER, R	
15	S41675109	1	BED COVER, L	
16	106629002	6	SCREW, SM4.37	
17	018680522	2	BOLT, SOCKET SM4.37X5	
18	S41669009	1	ARM SPACER	
20	062711212	3	SCREW, PAN SM4.76-32X12	
21	S41670009	1	FACE PLATE ASSY	
21-1	S41671009	1	FACE PALTE	
21-2	S41672000	1	PACKING	
22	062401012	3	SCREW, PAN M4X10	
26	S37920009	1	THREAD TAKE-UP COVER	
27	062680612	1	SCREW, PAN SM4.37-40X6	
29	S42227009	1	RUBBER CAP, MG-3	
45	S41763009	1	SIDE COVER, L	
46	S41764009	1	SIDE COVER, R	
47	008300604	8	SCREW, TRUSS M3X6	
85	S41673001	1	EYE GUARD ASSY	
85-1	S41733001	1	EYE GUARD SETTING PLATE ASSY	
85-1-1	S34844001	1	EYE GUARD SETTING PLATE	
85-1-2	S41709001	1	EYE GUARD BASE	
85-1-3	S36071001	1	EYE GUARD SCREW	
85-1-4	S36070001	1	SPRING, EYE GUARD	
85-1-5	106129002	1	NUT, SM3.57	
85-2	S41674000	1	EYE GUARD	
85-3	100257010	2	SCREW, SM3.57	
85-4	106129002	2	NUT, SM3.57	
			" OPTION PARTS "	
910	S37057001	1	EM SWITCH SPACER, 3	

A2 . Machine body / Maschinengehäuse / Corps de la machine / Cuerpo de la máquina



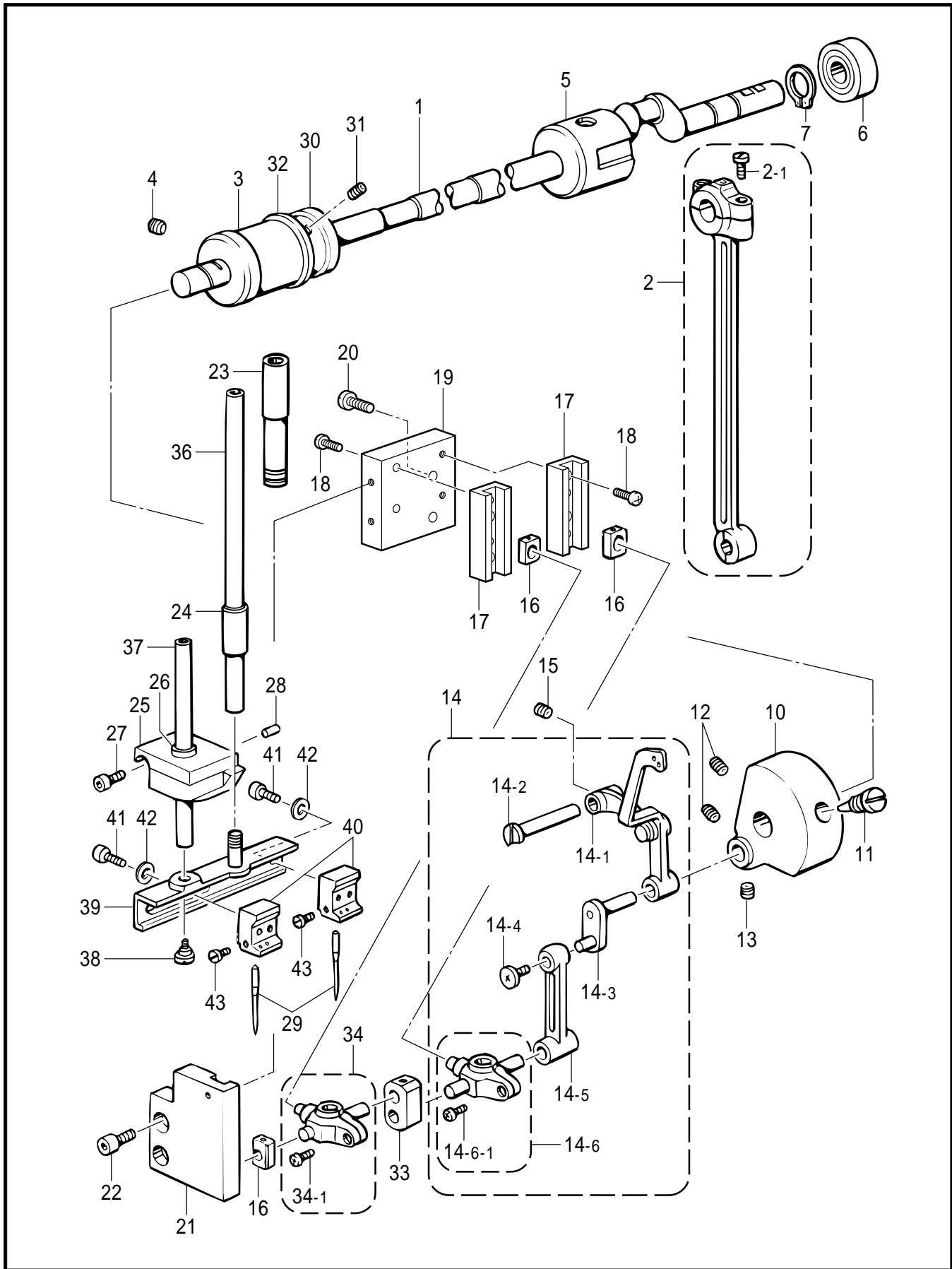
A2. Machine body / Maschinengehäuse / Corps de la machine / Cuerpo de la máquina

REF.NO.	CODE	Q'TY	NAME OF PARTS	RM
1	S41745001	1	POSITIONING BEARING	
2	018501236	4	BOLT, SOCKET M5X12	
3	028050246	4	WASHER, SPRING 2-5	
4	025050236	4	WASHER, PLAIN M 5	
5	S41746000	1	EYE BOLT	
6	021060206	1	NUT, 2 M6	
7	S41747009	1	BM SUPPORT BASE	
8	S41748001	1	BM SUPPORT FULCRUM SHAFT	
9	149996001	1	STOP CAM SET SCREW	
10	105299002	1	SET SCREW, SM6.35	
11	S41749001	2	WASHER, THRUST 16	
13	S41750001	1	COLLAR, 16	
14	018061636	1	BOLT, SOCKET M6X16	
15	S41751001	1	BOTTOM PLATE	
16	018501036	3	BOLT, SOCKET M5X10	
18	S41752001	1	BM SUPPORT SLIDE SHAFT	
19	S41753001	1	SPACER, 5.6	
20	018061636	1	BOLT, SOCKET M6X16	
21	S03695001	1	WASHER, PLAIN 6	
22	S41754000	1	SLIDE CYLINDER ASSY	
23	S14473000	2	BOLT, CQ2 M5X60	
24	S41940000	1	AIR TUBE, 0425S (L=1240)	
25	S18387004	1	AIR TUBE, 4 (L=1300)	
26	S41757001	2	BM SUPPORT BASE SLIDE SHAFT	
27	012060636	4	SET SCREW, SOCKET (FT) M6X6	
28	S41758001	1	SLIDE SHAFT, BM SUPPORT (R)	
29	012060636	2	SET SCREW, SOCKET (FT) M6X6	
30	S41759001	1	BM SUPPORT, R	
31	018501236	3	BOLT, SOCKET M5X12	
32	S41760001	1	SLIDE PLATE	
33	062401016	1	SCREW, PAN M4X10	
34	028040246	1	WASHER, SPRING 2-4	
35	025040236	1	WASHER, PLAIN M 4	
36	S41761001	1	ADJUSTING SHAFT, BM BASE	
37	018061636	3	BOLT, SOCKET M6X16	
38	S03695001	3	WASHER, PLAIN 6	
39	104833009	1	RUBBER CAP, 4.3	
40	S41762009	1	MOTOR BASE, 750	
41	018062036	4	BOLT, SOCKET M6X20	
42	028060246	4	WASHER, SPRING 2-6	
43	025060236	4	WASHER, PLAIN M 6	
44	104450109	4	RUBBER CAP, 8	
48	S41765009	1	REAR COVER	
49	008400604	5	SCREW, TRUSS M4X6	
50	S41767000	1	BLOW PIPE	
51	S31704000	1	AIR TUBE, 4X1260	
52	625010000	1	CORD HOLDER, NK-2N	
53	062400616	1	SCREW, PAN M4X6	
54	S41768001	1	BEAD BASE	
55	S41769001	2	HINGE SHAFT SUPPORT	
56	018403036	8	BOLT, SOCKET M4X30	
57	104821009	2	RUBBER CAP, 10.5	
58	017086006	6	BOLT, M8X60	
59	213650001	6	WASHER, 2.3X8.5X38ST	
60	028080246	6	WASHER, SPRING 2-8	
61	021080206	6	NUT, 2 M8	
62	158830001	2	BED HINGE	
63	158831001	2	PIN	
64	048080342	2	RETAINING RING, E8	

A2. Machine body / Maschinengehäuse / Corps de la machine / Cuerpo de la máquina

REF.NO.	CODE	Q'TY	NAME OF PARTS	RM
65	025100132	2	WASHER, PLAIN S 10	
66	158832009	2	HINGE PIN SUPPORTER RUBBER	
67	012060636	2	SET SCREW, SOCKET (FT) M6X6	
68	018061636	4	BOLT, SOCKET M6X16	
69	028060246	4	WASHER, SPRING 2-6	
70	025060236	4	WASHER, PLAIN M 6	
71	S41770009	2	CUSHION	
72	S41771001	1	BED SETTING BASE	
73	018061636	1	BOLT, SOCKET M6X16	
74	018401236	2	BOLT, SOCKET M4X12	
75	025040236	2	WASHER, PLAIN M 4	
76	159928009	1	RUBBER CAP, 15	
78	S41772009	1	OIL PAN ASSY	
78-1	S41773009	1	OIL PAN	
78-2	154467001	1	DUST OILER	
78-3	037301215	2	TAPPING SCREW, PAN V M3X12	
78-4	S18093100	1	WICK, 4X4 (L=1100)	
79	114486002	1	OILER	
80	062300616	5	SCREW, PAN M3X6	
81	S41774001	1	SENSOR BASE	
82	018400836	2	BOLT, SOCKET M4X8	
83	025040236	2	WASHER, PLAIN M 4	
84	028040246	2	WASHER, SPRING 2-4	
85	S41673001	1	EYE GUARD ASSY	
87	028040246	8	WASHER, SPRING 2-4	
88	S09197000	1	SPEED CONTROLLER	
89	S14085001	1	AIR TUBE, 4X82	
90	021060206	1	NUT, 2 M6	
91	S44775000	1	FELT	
92	018401236	1	BOLT, SOCKET M4X12	

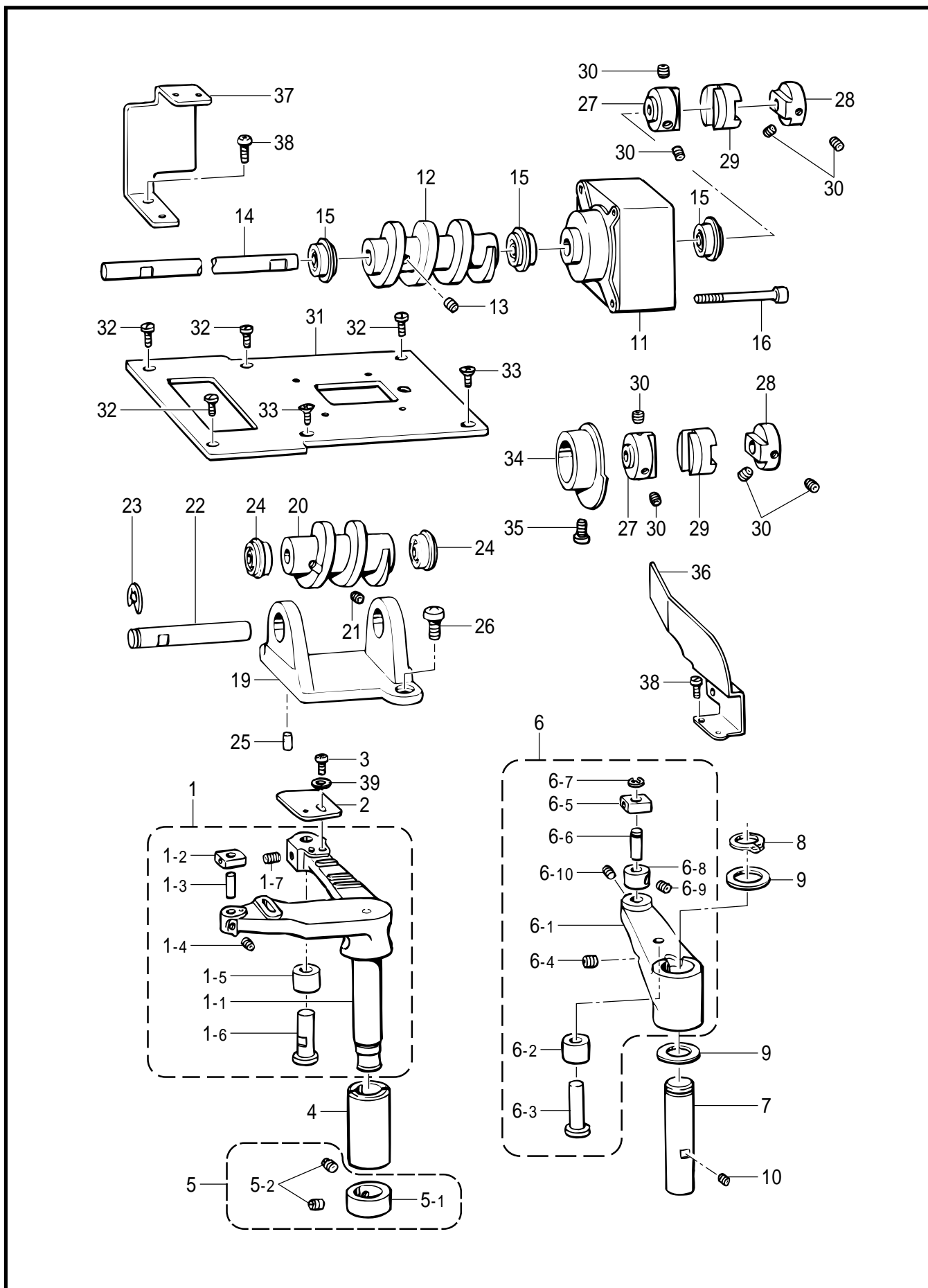
B . Upper shaft and needle bar mechanism
 / Obere Welle und Nadelstangenvorrichtung
 / Mécanisme de arbre supérieur et barra á aigulle
 / Mecanismo del eje superior y la barra de aguja



B . Upper shaft and needle bar mechanism
 / Obere Welle und Nadelstangenvorrichtung
 / Mécanisme de arbre supérieur et barra á aigulle
 / Mecanismo del eje superior y la barra de aguaja

REF.NO.	CODE	Q'TY	NAME OF PARTS	RM
1	S41677001	1	UPPER SHAFT	
2	153040001	1	CRANK ROD ASSY	
2-1	144712001	2	SCREW, SM4.76	
3	S41678001	1	UPPPER SHAFT BUSH, F	
4	014780622	1	SET SCREW, SOCKET (CP) SM6.35	
5	140726000	1	UPPER SHAFT BUSH, M	
6	072630260	1	BALL BEARING, 6302VV	
7	048150142	1	RETAINING RING, C15	
10	152231000	1	COUNTER WEIGHT	
11	100250001	1	SCREW, SM7.14	
12	014770622	2	SET SCREW, SOCKET (CP) SM6.35	
13	101706001	1	SET SCREW, SM6.35	
14	S41679001	1	THREAD TAKE-UP LEVER ASSY	
14-1	S41680001	1	THREAD TAKE-UP ASSY	
14-2	152236001	1	THREAD TAKE-UP SUPPORT STUD	
14-3	152237001	1	NEEDLE BAR CRANK	
14-4	132051001	1	SCREW, FLAT SM3.57L	
14-5	152238001	1	NEEDLE BAR CONNECTING ROD	
14-6	S41696001	1	NEEDLE CLAMP ASSY, 8.72	
14-6-1	062680812	1	SCREW, PAN SM4.37-40X8	
15	014760622	1	SET SCREW, SOCKET SM5.95	
16	S41928001	3	NEEDLE BAR GUIDE SLIDE BLOCK	
17	S37927000	2	NEEDLE BAR GUIDE	
18	062670612	4	SCREW, PAN SM3.57-40X6	
19	S41683000	1	NEEDLE BAR GUIDE BASE	
20	062781412	2	SCREW, PAN SM6.35-28X14	
21	S41684000	1	NEEDLE BAR GUIDE, F	
22	018501036	2	BOLT, SOCKET M5X10	
23	S41685001	1	NEEDLE BAR BUSH, U	
24	S41686001	1	NEEDLE BAR BUSH, D	
25	S41687001	1	NEEDLE BAR BUSH BASE, F	
26	154627001	1	NEEDLE BAR BUSH, DS	
27	018681232	2	BOLT, SOCKET SM4.37-40X12	
28	S37940001	1	LOCATOR PIN	
29	S37928019	2	NEEDLE, DPX17NY (#19)	
30	S41688000	1	THRUST COLLAR	
31	014760622	2	SET SCREW, SOCKET SM5.95	
32	101482001	1	CONNECTING ROD PARTITION PLATE	
33	S41689001	1	NEEDLE BAR CLAMP LEVER	
34	S41697001	1	NEEDLE BAR CLAMP ASSY, 7.92	
34-1	062680812	1	SCREW, PAN SM4.37-40X8	
36	S41691001	1	NEEDEL BAR, IP	
37	S41692001	1	AUXILIARY NEEDLE BAR	
38	S41693001	1	SHOULDER SCREW, M4	
39	S41694001	1	NEEDLE CLAMP GUIDE	
40	S41695001	2	NEEDLE CLAMP	
41	018680822	2	BOLT, SOCKET SM4.37X8	
42	110735002	2	WASHER	
43	144458001	2	SET SCREW, SM3.57	
29	S37928021	2	" OPTION PARTS " NEEDLE, DPX17NY (#21)	

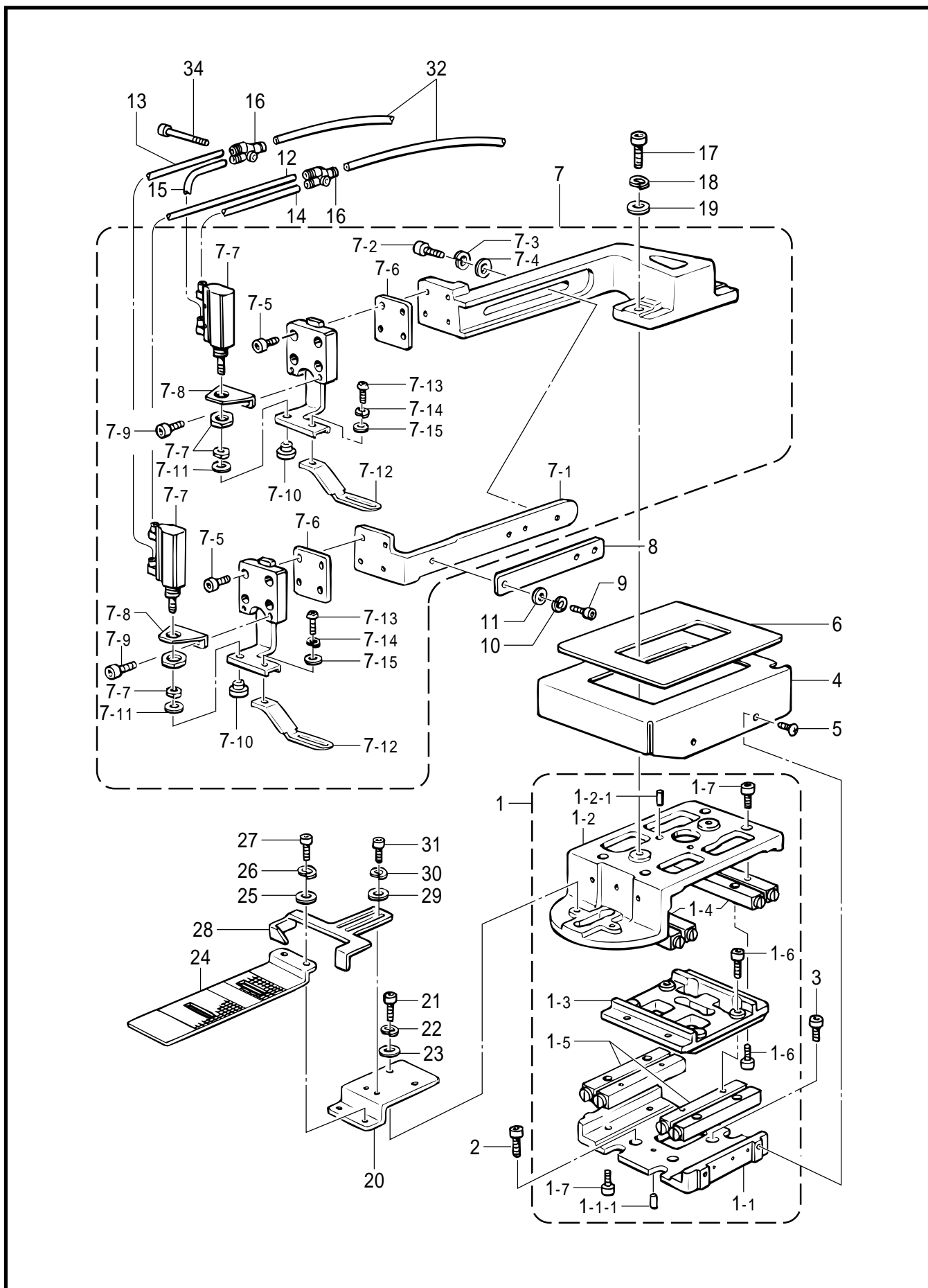
C1 . Feed mechanism / Transportvorrichtung / Mécanisme de l'entraînement / Mecanismo de la alimentación



C1 . Feed mechanism / Transportvorrichtung / Mécanisme de l'entraînement
/ Mecanismo de la alimentación

REF.NO.	CODE	Q'TY	NAME OF PARTS	RM
1	S41698001	1	X-FEED LEVER ASSY	
1-1	S41699000	1	X-FEED LEVER, 100	
1-2	152743001	1	TACK LENGTH SLIDE BLOCK	
1-3	156956001	1	LINK SHAFT	
1-4	014760622	1	SET SCREW, SOCKET SM5.95	
1-5	S37932001	1	FEED CAM ROLLER	
1-6	S37933001	1	ROLLER SHAFT	
1-7	014760622	1	SET SCREW, SOCKET SM5.95	
2	S41700001	1	HOME POSITION DOG, X	
3	062680612	1	SCREW, PAN SM4.37-40X6	
4	S37934001	1	FEED LEVER BUSH, X	
5	183493001	1	SET SCREW COLLAR ASSY	
5-1	S09212001	1	SET SCREW COLLAR	
5-2	101706001	2	SET SCREW, SM6.35	
6	S41701001	1	Y-FEED LEVER ASSY	
6-1	S37936001	1	Y-FEED LEVER	
6-2	152743001	1	TACK LENGTH SLIDE BLOCK	
6-3	S37933001	1	ROLLER SHAFT	
6-4	014760622	1	SET SCREW, SOCKET SM5.95	
6-5	152743001	1	TACK LENGTH SLIDE BLOCK	
6-6	S41702001	1	SLIDE BLOCK SHAFT	
6-7	048040342	1	RETAINING RING, E4	
6-8	S28090001	1	SET SCREW COLLAR	
6-9	014680422	1	SET SCREW, SOCKET (CP) SM4.37	
6-10	014760622	1	SET SCREW, SOCKET SM5.95	
7	152760051	1	VERTICAL FEEDING LEVER SHAFT	
8	048180142	1	RETAINING RING, C18	
9	152756001	2	THRUST WASHER, 18	
10	014760622	1	SET SCREW, SOCKET SM5.95	
11	S41703000	1	PM BRACKET, X	
12	S41704001	1	FEED CAM	
13	014760622	2	SET SCREW, SOCKET SM5.95	
14	S41705001	1	CAM SHAFT, X	
15	070688850	3	BALL BEARING, 688ZZNR	
16	018404532	4	BOLT, SOCKET M4X45	
19	S37937001	1	FEED CAM BRACKET	
20	S37941001	1	FEED CAM, Y	
21	014760622	2	SET SCREW, SOCKET SM5.95	
22	S37939001	1	CAM SHAFT	
23	048060342	1	RETAINING RING, E6	
24	070688850	2	BALL BEARING, 688ZZNR	
25	S37940001	2	LOCATOR PIN	
26	062681012	2	SCREW, PAN SM4.37-40X10	
27	S37942000	2	COUPLING HUB, 8	
28	S37943000	2	COUPLING HUB, 6.35	
29	S37944000	2	COUPLING SPACER	
30	014760622	8	SET SCREW, SOCKET SM5.95	
31	S41706001	1	FEED BAR GUIDE PLATE	
32	145318001	4	SCREW, SM4.37	
33	100032004	2	SCREW, FLAT SM4.37	
34	S37946001	1	FEED HOME POSITION DOG	
35	062300512	1	SCREW, PAN M3X5	
36	S37947001	1	HOME POSITION SENSOR SET PLATE	
37	S41707001	1	X-SENSOR SETTING PLATE	
38	062680612	2	SCREW, PAN SM4.37-40X6	
39	100645003	1	WASHER	

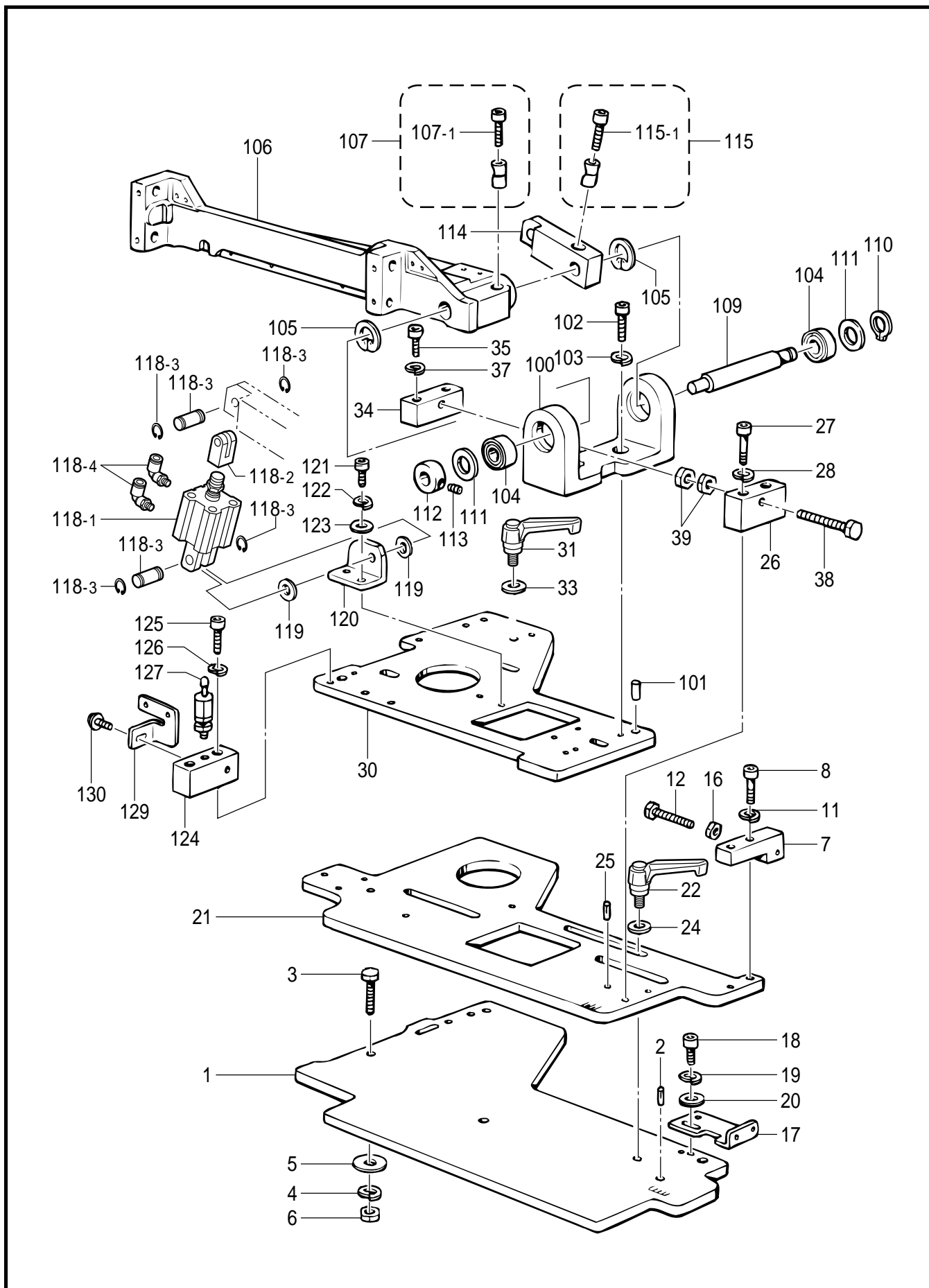
C2 . Feed mechanism / Transportvorrichtung / Mécanisme de l'entraînement / Mecanismo de la alimentación



C2 . Feed mechanism / Transportvorrichtung / Mécanisme de l'entraînement
/ Mecanismo de la alimentación

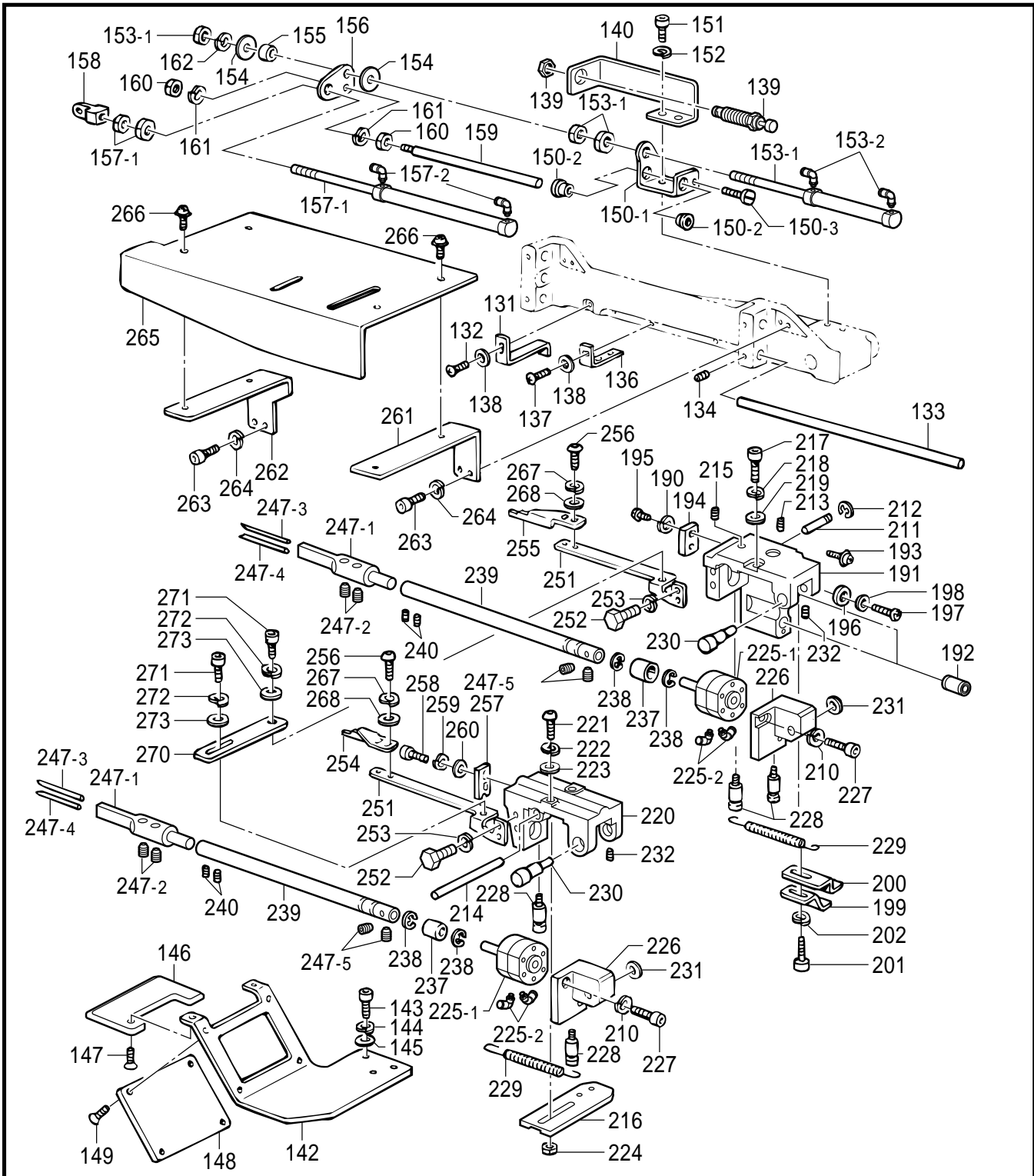
REF.NO.	CODE	Q'TY	NAME OF PARTS	RM
1	S41777001	1	FEED BAR ASSY	
1-1	S41778001	1	FEED BASE ASSY	
1-1-1	S16431001	2	STUD, 5X11	
1-2	S41780001	1	FEED BAR ASSY, X	
1-2-1	S16431001	2	STUD, 5X11	
1-3	S41782001	1	FEED BAR, Y	
1-4	S41783000	1	CROSS ROLLER, X	
1-5	S41784000	1	CROSS ROLLER, Y	
1-6	018501636	8	BOLT, SOCKET M5X16	
1-7	018501036	8	BOLT, SOCKET M5X10	
2	018500836	3	BOLT, SOCKET M5X8	
3	018500636	1	BOLT, SOCKET M5X6	
4	S41785001	1	FEED COVER	
5	008400604	2	SCREW, TRUSS M4X6	
6	S41786000	1	FEED DECORATIVE PLATE	
7	S41787101	1	WORK CLAMP ARM ASSY, A	
7-1	S41789001	1	WOOK CLAMP SET ARM	
7-2	018401636	2	BOLT, SOCKET M4X16	
7-3	028040246	2	WASHER, SPRING 2-4	
7-4	025040236	2	WASHER, PLAIN M 4	
7-5	018401036	8	BOLT, SOCKET M4X10	
7-6	S41791000	2	SPACER	
7-7	S41792000	2	CYLINDER ASSY	
7-8	S41794001	2	FOOT, A	
7-9	018400836	4	BOLT, SOCKET M4X8	
7-10	S14974001	2	PRESSER NUT	
7-11	102707002	2	WASHER, PLAIN 4	
7-12	*	2	WORK CLAMP	
7-13	S21716001	2	SCREW, BUTTON HEAD M4X10	
7-14	028040246	2	WASHER, SPRING 2-4	
7-15	102707002	2	WASHER, PLAIN 4	
8	S41801001	1	FEED PROTECTED PLATE	
9	018401036	2	BOLT, SOCKET M4X10	
10	028040246	2	WASHER, SPRING 2-4	
11	025040236	2	WASHER, PLAIN M 4	
12	S18387007	1	AIR TUBE, 4 (L=370)	
13	S08125000	1	AIR TUBE, 4-S1 (L=410)	
14	S41635000	1	AIR TUBE, 0425S (L=310)	
15	S41935000	1	AIR TUBE, 0425S (L=350)	
16	S19557000	2	MINIATURE UNION, Y4	
17	018501636	2	BOLT, SOCKET M5X16	
18	028050246	2	WASHER, SPRING 2-5	
19	025050236	2	WASHER, PLAIN M 5	
20	S41802001	1	FEED PLATE BASE	
21	018401036	2	BOLT, SOCKET M4X10	
22	028040242	2	WASHER, SPRING 2-4	
23	025040136	2	WASHER, PLAIN S 4	
24	*	1	FEED PLATE	
25	S19543001	2	WASHER	
26	028040246	2	WASHER, SPRING 2-4	
27	018400636	2	BOLT, SOCKET M4X6	
28	S41804001	1	RULLER	
29	025040236	2	WASHER, PLAIN M 4	
30	028040246	2	WASHER, SPRING 2-4	
31	018400836	2	BOLT, SOCKET M4X8	
32	S41943000	2	AIR TUBE, 0425S (L=1450)	
34	S46740001	1	SCREW, PAN M3X42	

D1 . Feeder mechanism / Knopfsortierer / Tricur de boutons / Mecanismo de botones



D1 . Feeder mechanism / Knopfsortierer / Tricur de boutons
/ Mecanismo de botones

REF.NO.	CODE	Q'TY	NAME OF PARTS	RM
1	S41511001	1	FEEDER BASE PLATE	
2	118550001	2	PIN, DOWEL	
3	017086006	3	BOLT, M8X60	
4	028080246	3	WASHER, SPRING 2-8	
5	213650001	3	WASHER, 2.3X8.5X38ST	
6	021080206	3	NUT, 2 M8	
7	S41512001	1	POSITIONING BLOCK, C	
8	018062036	2	BOLT, SOCKET M6X20	
11	028060246	2	WASHER, SPRING 2-6	
12	S24089001	1	BOLT, M8X50	
16	021080206	1	NUT, 2 M8	
17	S41960001	1	SENSOR SETTING PLATE	
18	018401036	2	BOLT, SOCKET M4X10	
19	028040246	2	WASHER, SPRING 2-4	
20	025040236	2	WASHER, PLAIN M 4	
21	S41513001	1	FEEDER TAKE SHELTER PLATE	
22	S44688000	1	CLAMPING LEVER	
24	S43640001	1	WASHER	
25	118550001	2	PIN, DOWEL	
26	S41514001	1	POSITIONING BLOCK, B	
27	018063036	2	BOLT, SOCKET M6X30	
28	028060246	2	WASHER, SPRING 2-6	
30	S41515001	1	LOOP WIDTH ADJUSTING PLATE	
31	S44688000	1	CLAMPING LEVER	
33	S43640001	1	WASHER	
34	S41516001	1	POSITIONING BLOCK, A	
35	018063036	2	BOLT, SOCKET M6X30	
37	028060246	2	WASHER, SPRING 2-6	
38	S24250001	1	BOLT, M8X90	
39	021080206	2	NUT, 2 M8	
100	S41517000	1	CYLINDER ARM BRACKET	
101	156958001	2	FEED ROCK ARM STUD	
102	018062036	2	BOLT, SOCKET M6X20	
103	028060246	2	WASHER, SPRING 2-6	
104	076002800	2	BALL BEARING, 6002ZZ	
105	048320242	2	RETAINING RING, C32	
106	S41518101	1	DRIVING CYLINDER ARM	
107	S09132051	1	PINCH SLEEVE ASSY	
107-1	018063022	1	BOLT, SOCKET M6X30	
109	S41519001	1	CYLINDER SETTING ARM SHAFT	
110	048150142	1	RETAINING RING, C15	
111	116920001	2	THRUST RING	
112	S12134001	1	INNER PRESSER COLLAR	
113	012060636	2	SET SCREW, SOCKET (FT) M6X6	
114	S41520001	1	CYLINDER CONNECTING ROD	
115	S09132051	1	PINCH SLEEVE ASSY	
115-1	018063022	1	BOLT, SOCKET M6X30	
118	S41521000	1	CYLINDER ASSY, 25X10	
118-1	S41522000	1	CYLINDER, 25X10	
118-2	S41523000	1	KNUKLE JOINT	
118-3	S41524000	2	PIN	
118-4	S11426000	2	ELBOW UNION, 4M5	
119	025100236	2	WASHER, PLAIN M 10	
120	S41525001	1	CYLINDER SUPPORT	
121	018061636	2	BOLT, SOCKET M6X16	
122	028060246	2	WASHER, SPRING 2-6	
123	025060236	2	WASHER, PLAIN M 6	
124	S41526001	1	STOPPER BASE	
125	018061636	2	BOLT, SOCKET M6X16	
126	028060246	2	WASHER, SPRING 2-6	
127	S14874000	1	SHOCK ABSORBER	
129	S41527001	1	SENSOR SETTING PLATE	
130	0A5401006	1	SCREW, PAN (S/P WASHER) M4X10	

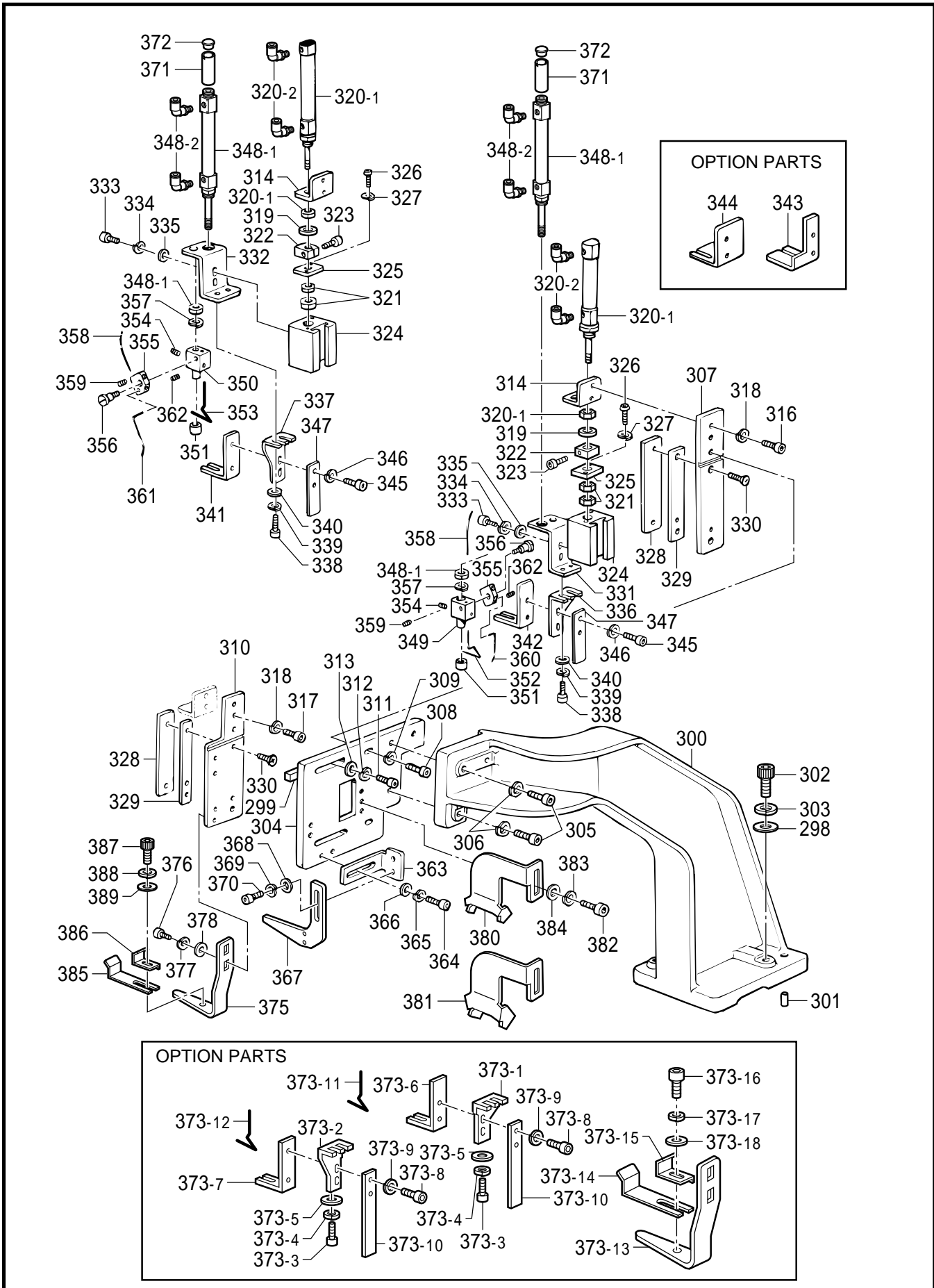


OPTION PARTS

For light materials loop	For heavy materials loop

D2 . Feeder mechanism / Knopfsortierer / Tricur de boutons
 / Mecanismo de botones

REF.NO.	CODE	Q'TY	NAME OF PARTS	RM
131	S41528001	1	SENSOR DOG	
132	060400816	1	SCREW, BIND M4X8	
133	S41529001	2	FORK UNIT GUIDE SHAFT	
134	012500536	4	SET SCREW, SOCKET (FT) M5X5	
136	S41530001	4	SENSOR SETTING PLATE	
137	060400816	4	SCREW, BIND M4X8	
138	025040236	5	WASHER, PLAIN M 4	
139	S44979000	1	SHOCK ABSOBER	
140	S44978001	1	ABSOBER BRACKET	
142	S41912001	1	HAND GUARD SUPPORT	
143	018061436	2	BOLT, SOCKET M6X14	
144	028060246	2	WASHER, SPRING 2-6	
145	025060236	2	WASHER, PLAIN M 6	
146	S41913100	1	HAND GUARD, 1	
147	004400814	2	SCREW, FLAT M4X8	
148	S41914000	1	HAND GUARD, 2	
149	S31258001	4	SCREW, FLAT M4X6	
150	S41531001	1	CYLINDER BASE ASSY	
150-1	S41532001	1	CYLINDER BASE	
150-2	S41533000	2	FLANGE BUSHING	
150-3	060400616	2	SCREW, BIND M4X6	
151	018062036	2	BOLT, SOCKET M6X20	
152	028060246	2	WASHER, SPRING 2-6	
153	S41534000	1	CYLINDER ASSY, 16X40	
153-1	S41535000	1	CYLINDER, 16X40	
153-2	S11426000	2	ELBOW UNION, 4M5	
154	116662004	2	WASHER, PLAIN	
155	153218001	1	LOWER THREAD RETAINER COLLAR	
156	S41536001	1	CYLINDER CONNECTING PLATE	
157	S41537000	1	CYLINDER ASSY, 16X125	
157-1	S41538000	1	CYLINDER, 16X125	
157-2	S11426000	2	ELBOW UNION, 4M5	
158	S37454000	1	KNUCLE JOINT	
159	S41539001	1	GUIDE SHAFT	
160	021500216	2	NUT, 2 M5	
161	028050246	2	WASHER, SPRING 2-5	
162	028050246	1	WASHER, SPRING 2-5	
190	028030246	2	WASHER, SPRING 2-3	
191	S41540000	1	FORK BRACKET, R	
192	S12004000	4	LINEAR BUSH	
193	0A5400806	2	SCREW, PAN (S/P WASHER) M4X8	
194	S23653001	1	SLIDE BASE STOPPER	
195	062300502	2	SCREW, PAN M3X5	
196	S12054000	1	CUSHION	
197	062401016	1	SCREW, PAN M4X10	
198	025040236	1	WASHER, PLAIN M 4	
199	S41541001	1	FORK POSITION DETECTOR DOG	
200	S41630001	1	FORK POSITION DETECTOR DOG, 2	
201	018401036	2	BOLT, SOCKET M4X10	
202	028040246	2	WASHER, SPRING 2-4	
210	028040246	2	WASHER, SPRING 2-4	
211	S41542001	1	PIN	
212	048050142	1	RETAINING RING, C5	
213	012400436	2	SET SCREW, SOCKET (FT) M4X4	
214	S41544001	1	GUIDE SHAFT	
215	012060636	1	SET SCREW, SOCKET (FT) M6X6	
216	S41545201	1	FORK SLIDE PLATE	
217	018501236	2	BOLT, SOCKET M5X12	
218	028050246	2	WASHER, SPRING 2-5	



D3 . Feeder mechanism / Knopfsortierer / Tricur de boutons
/ Mecanismo de botones

REF.NO.	CODE	Q'TY	NAME OF PARTS	RM
298	025060236	2	WASHER, PLAIN M 6	
299	S44980001	1	KEY, 3X3X77	
300	S41562009	1	LOOP UNIT BASE	
301	156958001	2	FEED ROCK ARM STUD	
302	018062536	3	BOLT, SOCKET M6X25	
303	028060246	3	WASHER, SPRING 2-6	
304	S41564201	1	PRESSER UNIT SETTING PLATE	
305	018502036	3	BOLT, SOCKET M5X20	
306	028050246	3	WASHER, SPRING 2-5	
307	S41565101	1	SLIDER BASE, B	
308	018401036	2	BOLT, SOCKET M4X10	
309	028040246	2	WASHER, SPRING 2-4	
310	S41566101	1	SLIDER BASE, F	
311	018401036	2	BOLT, SOCKET M4X10	
312	028040246	2	WASHER, SPRING 2-4	
313	158722002	4	WASHER, PLAIN 4.2	
314	S41567001	2	CYLINDER SETTING PLATE, A	
316	018400836	2	BOLT, SOCKET M4X8	
317	018400836	2	BOLT, SOCKET M4X8	
318	028040246	4	WASHER, SPRING 2-4	
319	S44976000	2	CUSHION RUBBER	
320	S41568000	2	CYLINDER ASSY, 10X45	
320-1	S41569000	2	CYLINDER, 10X45	
320-2	S11426000	2	ELBOW UNION, 4M5	
321	021400316	4	NUT, 3 M4	
322	S41570001	2	CYLINDER STOPPER	
323	018400836	2	BOLT, SOCKET M4X8	
324	S41571001	2	SLIDER BRACKET	
325	S41572001	2	ROD PRESSER PLATE	
326	060400816	4	SCREW, BIND M4X8	
327	028040246	4	WASHER, SPRING 2-4	
328	S41573001	2	SLIDER GUIDE	
329	S41574001	2	SLIDER GUIDE SPACER	
330	004400814	4	SCREW, FLAT M4X8	
331	S44972001	1	CYLINDER SETTING PLATE, BB	
332	S44973001	1	CYLINDER SETTING PLATE, BF	
333	018401036	4	BOLT, SOCKET M4X10	
334	028040246	4	WASHER, SPRING 2-4	
335	025040236	4	WASHER, PLAIN M 4	
336	S41577001	1	LOOP PRESSER SETTING PLATE, B	
337	S41578001	1	LOOP PRESSER SETTING PLATE, F	
338	018400836	4	BOLT, SOCKET M4X8	
339	028040246	4	WASHER, SPRING 2-4	
340	025040236	4	WASHER, PLAIN M 4	
341	S41579001	1	LOOP PRESSER, B	
342	S41580001	1	LOOP PRESSER, F	
345	018400836	4	BOLT, SOCKET M4X8	
346	028040246	4	WASHER, SPRING 2-4	
347	S41911101	2	LOOP WIPER	
348	S44209000	2	CYLINDER ASSY, 10X30	
348-1	S44210000	2	CYLINDER, 10X30	
348-2	S11426000	2	ELBOW UNION, 4M5	
349	S41583001	1	PRESSER BLOCK, B	
350	S41584001	1	PRESSER BLOCK, F	
351	S05356000	2	BUTTON PRESSER, A	
352	S41585101	1	LOOP PRESSER, UB	
353	S41586101	1	LOOP PRESSER, UF	
354	012400436	2	SET SCREW, SOCKET (FT) M4X4	
355	S41587001	2	WIDTH NARROW BLOCK	

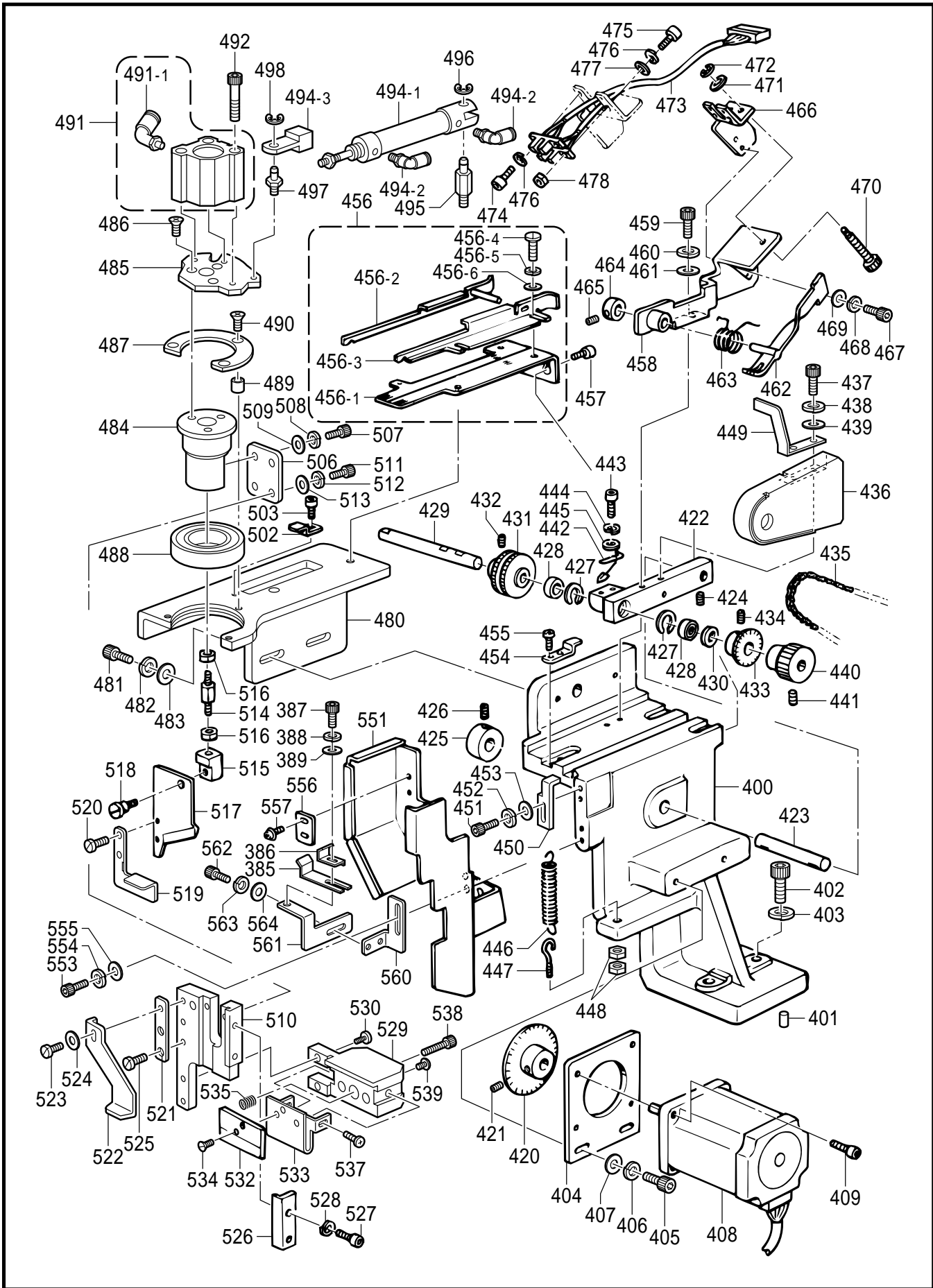
D3 . Feeder mechanism / Knopfsortierer / Tricur de boutons
 / Mecanismo de botones

REF.NO.	CODE	Q'TY	NAME OF PARTS	RM
356	155103001	2	SHOULDER SCREW, SM3.18	
357	028040246	2	WASHER, SPRING 2-4	
358	S41588001	2	GUIDE SPRING	
359	012400436	2	SET SCREW, SOCKET (FT) M4X4	
360	S41589001	1	SPRING, WIDTH NARROW (B)	
361	S41590001	1	SPRING, WIDTH NARROW (F)	
362	012400436	2	SET SCREW, SOCKET (FT) M4X4	
363	S41591001	1	LOOP HOLD SETTING PLATE	
364	018400836	2	BOLT, SOCKET M4X8	
365	028040246	2	WASHER, SPRING 2-4	
366	025040236	2	WASHER, PLAIN M 4	
367	S41592001	1	LOOP HOLD PLATE	
368	018400836	2	BOLT, SOCKET M4X8	
369	028040246	2	WASHER, SPRING 2-4	
370	025040236	2	WASHER, PLAIN M 4	
371	S44975000	2	CYLINDER COVER	
372	117936009	2	RUBBER CAP, 9.4	
375	S41596201	1	LOOP SUPPORT, F	
376	018400636	2	BOLT, SOCKET M4X6	
377	028040246	2	WASHER, SPRING 2-4	
378	158722002	2	WASHER, PLAIN 4.2	
380	S41604101	1	<For stitch interval 52mm over> UPPER GUIDE PLATE, A	
381	S41605101	1	<For stitch interval 56mm over> UPPER GUIDE PLATE, B	
382	018400836	2	BOLT, SOCKET M4X8	
383	028040246	2	WASHER, SPRING 2-4	
384	025040236	2	WASHER, PLAIN M 4	
385	S44964000	1	LOOP GUIDE, 1	
386	S44965000	1	LOOP GUIDE, 2	
387	018400836	1	BOLT, SOCKET M4X8	
388	028040246	1	WASHER, SPRING 2-4	
389	025040236	1	WASHER, PLAIN M 4	
343	S41594001	1	" OPTION PARTS " LOOP PRESSER, 70B	
344	S41595001	1	LOOP PRESSER, 70F	
373	S44974001	1	LOOP PRESSER ASSY, 40	
373-1	S43969001	1	LOOP PRESSER SETTING PLATE, SB	
373-2	S43970001	1	LOOP PRESSER SETTING PLATE, SF	
373-3	018400836	4	BOLT, SOCKET M4X8	
373-4	028040246	4	WASHER, SPRING 2-4	
373-5	025040236	4	WASHER, PLAIN M 4	
373-6	S43967001	1	LOOP PRESSER, 40B	
373-7	S43968001	1	LOOP PRESSER, 40F	
373-8	018400836	4	BOLT, SOCKET M4X8	
373-9	028040246	4	WASHER, SPRING 2-4	
373-10	S43963001	2	LOOP WIPER, S	
373-11	S43965001	1	LOOP PRESSER, UBS	
373-12	S43966001	1	LOOP PRESSER, UFS	
373-13	S41596201	1	LOOP SUPPORT, F	
373-14	S44964000	1	LOOP GUIDE, 1	

D3 . Feeder mechanism / Knopfsortierer / Tricur de boutons
 / Mecanismo de botones

REF.NO.	CODE	Q'TY	NAME OF PARTS	RM
			" OPTION PARTS "	
373-15	S44965000	1	LOOP GUIDE, 2	
373-16	018400836	1	BOLT, SOCKET M4X8	
373-17	028040246	1	WASHER, SPRING 2-4	
373-18	025040236	1	WASHER, PLAIN M 4	

D4 . Feeder mechanism / Knopfsortierer / Tricur de boutons / Mecanismo de botones



D4 . Feeder mechanism / Knopfsortierer / Tricur de boutons
/ Mecanismo de botones

REF.NO.	CODE	Q'TY	NAME OF PARTS	RM
385	S44964000	1	LOOP GUIDE, 1	
386	S44965000	1	LOOP GUIDE, 2	
387	018400836	1	BOLT, SOCKET M4X8	
388	028040246	1	WASHER, SPRING 2-4	
389	025040236	1	WASHER, PLAIN M 4	
400	S41621001	1	UNIT BASE	
401	156958001	2	FEED ROCK ARM STUD	
402	018062536	2	BOLT, SOCKET M6X25	
403	028060246	2	WASHER, SPRING 2-6	
404	S41597001	1	MOTOR SETTING PLATE	
405	018501236	2	BOLT, SOCKET M5X12	
406	028050246	2	WASHER, SPRING 2-5	
407	025050236	2	WASHER, PLAIN M 5	
408	S41598000	1	PULSE MOTOR ASSY	
409	018401036	4	BOLT, SOCKET M4X10	
420	S41600000	1	SPROCKET WHEEL, B	
421	012400436	2	SET SCREW, SOCKET (FT) M4X4	
422	S23696101	1	FEED ROLLER ARM	
423	S14924001	1	ROLLER FULCRUM SHAFT	
424	012400436	1	SET SCREW, SOCKET (FT) M4X4	
425	S07129001	1	SET SCREW COLLAR	
426	014060622	2	SET SCREW, SOCKET (CP) M6X6	
427	048130242	2	RETAINING RING, C13	
428	S14919000	2	BALL BEARING, 1360ZZ	
429	S23697001	1	ROLLER SHAFT	
430	S23698001	1	SPACER	
431	S23699201	1	FEED ROLLER	
432	012400436	2	SET SCREW, SOCKET (FT) M4X4	
433	S14920000	1	SPROCKET WHEEL, A	
434	012400436	2	SET SCREW, SOCKET (FT) M4X4	
435	S41602000	1	CHAIN	
436	S41603101	1	SPROCKET WHEEL COVER	
437	018400836	2	BOLT, SOCKET M4X8	
438	028040246	2	WASHER, SPRING 2-4	
439	026040136	2	WASHER, PLAIN S 4	
440	S15700009	1	KNOB	
441	014680422	2	SET SCREW, SOCKET (CP) SM4.37	
442	S41606100	1	FEED ROLLER GUIDE	
443	018401036	2	BOLT, SOCKET M4X10	
444	028040246	2	WASHER, SPRING 2-4	
445	025040236	2	WASHER, PLAIN M 4	
446	159114001	1	SPRING	
447	140947002	1	ADJUSTING SCREW	
448	021400202	2	NUT, 2 M4	
449	S41925101	1	SUB LEVER	
450	S14958101	1	ROLLER STOPPER	
451	018401036	2	BOLT, SOCKET M4X10	
452	028040246	2	WASHER, SPRING 2-4	
453	025040236	2	WASHER, PLAIN M 4	
454	S23701101	1	CHANNEL SUPPORT	
455	062400816	2	SCREW, PAN M4X8	
456	S23702201	1	CHANNEL ASSY	
456-1	S23703101	1	CHANNEL BASE, L	
456-2	S41926001	1	CHANNEL, B	
456-3	S41927001	1	CHANNEL, F	
456-4	060300516	4	SCREW, BIND M3X5	
456-5	028030246	4	WASHER, SPRING 2-3	
456-6	105161004	4	WASHER	
457	018401036	2	BOLT, SOCKET M4X10	

D4 . Feeder mechanism / Knopfsortierer / Tricur de boutons
/ Mecanismo de botones

REF.NO.	CODE	Q'TY	NAME OF PARTS	RM
458	S14946101	1	JOINT SENSOR BASE	
459	018401036	2	BOLT, SOCKET M4X10	
460	028040246	2	WASHER, SPRING 2-4	
461	025040236	2	WASHER, PLAIN M 4	
462	S14949101	1	JOINT ACTUATOR	
463	S14950001	1	SPRING	
464	149864051	1	SET SCREW COLLAR	
465	100402004	2	SET SCREW, SM3.57	
466	S14947101	1	JOINT SENSOR BASE	
467	018400836	2	BOLT, SOCKET M4X8	
468	028040246	2	WASHER, SPRING 2-4	
469	025040236	2	WASHER, PLAIN M 4	
470	S14948101	1	ADJUST SHAFT, 6	
471	025040236	1	WASHER, PLAIN M 4	
472	048030346	1	RETAINING RING, E3	
473	S40518000	1	LOOP SENSOR ASSY	
474	018300636	2	BOLT, SOCKET M3X6	
475	018301236	2	BOLT, SOCKET M3X12	
476	028030246	4	WASHER, SPRING 2-3	
477	025030236	2	WASHER, PLAIN M 3	
478	021300103	2	NUT, 1 M3	
480	S47399009	1	KNIFE UNIT BASE	
481	018501636	2	BOLT, SOCKET M5X16	
482	028050246	2	WASHER, SPRING 2-5	
483	025050236	2	WASHER, PLAIN M 5	
484	S47393001	1	KNIFE ROTATION BASE	
485	S47394001	1	KNIFE ROTATION BASE, 2	
486	004400814	3	SCREW, FLAT M4X8	
487	S47369001	1	BEARING PRESSER	
488	076805800	1	BALL BEARING, 6805	
489	154514001	3	SPACER	
490	004401414	3	SCREW, FLAT M4X14	
491	S47398000	1	CYLINDER ASSY, 25X15	
491-1	S23741000	2	ELBOW UNION, 4M5	
492	018503536	3	BOLT, SOCKET M5X35	
494	S41609000	1	CYLINDER ASSY, 16X30	
494-1	S24175000	1	CYLINDER, 16X30	
494-2	S11426000	2	ELBOW UNION, 4M5	
494-3	S37454000	1	KNUCLE JOINT	
495	S41610001	1	FULCRUM SHAFT, 2	
496	048050142	1	RETAINING RING, C5	
497	S41611001	1	FULCRUM SHAFT	
498	048050142	1	RETAINING RING, C5	
502	S41612001	1	KNIFE STOPPER	
503	018400836	1	BOLT, SOCKET M4X8	
506	S47395001	1	KNIFE BASE CONNECTING PLATE	
507	018401036	2	BOLT, SOCKET M4X10	
508	028040246	2	WASHER, SPRING 2-4	
509	025040236	2	WASHER, PLAIN M 4	
510	S43997001	1	KNIFE BASE	
511	018401136	2	BOLT, SOCKET M4X10	
512	028040246	2	WASHER, SPRING 2-4	
513	025040236	2	WASHER, PLAIN M 4	
514	S41613001	1	KNIFE CONNECTING BAR	
515	S14935001	1	JOINT	
516	021500102	2	NUT, 1 M5	
517	S23709001	1	MOVABLE KNIFE	
518	148417001	1	SHOULDER SCREW, SM4.37	
519	S41915001	1	LOOP SUPPORT	

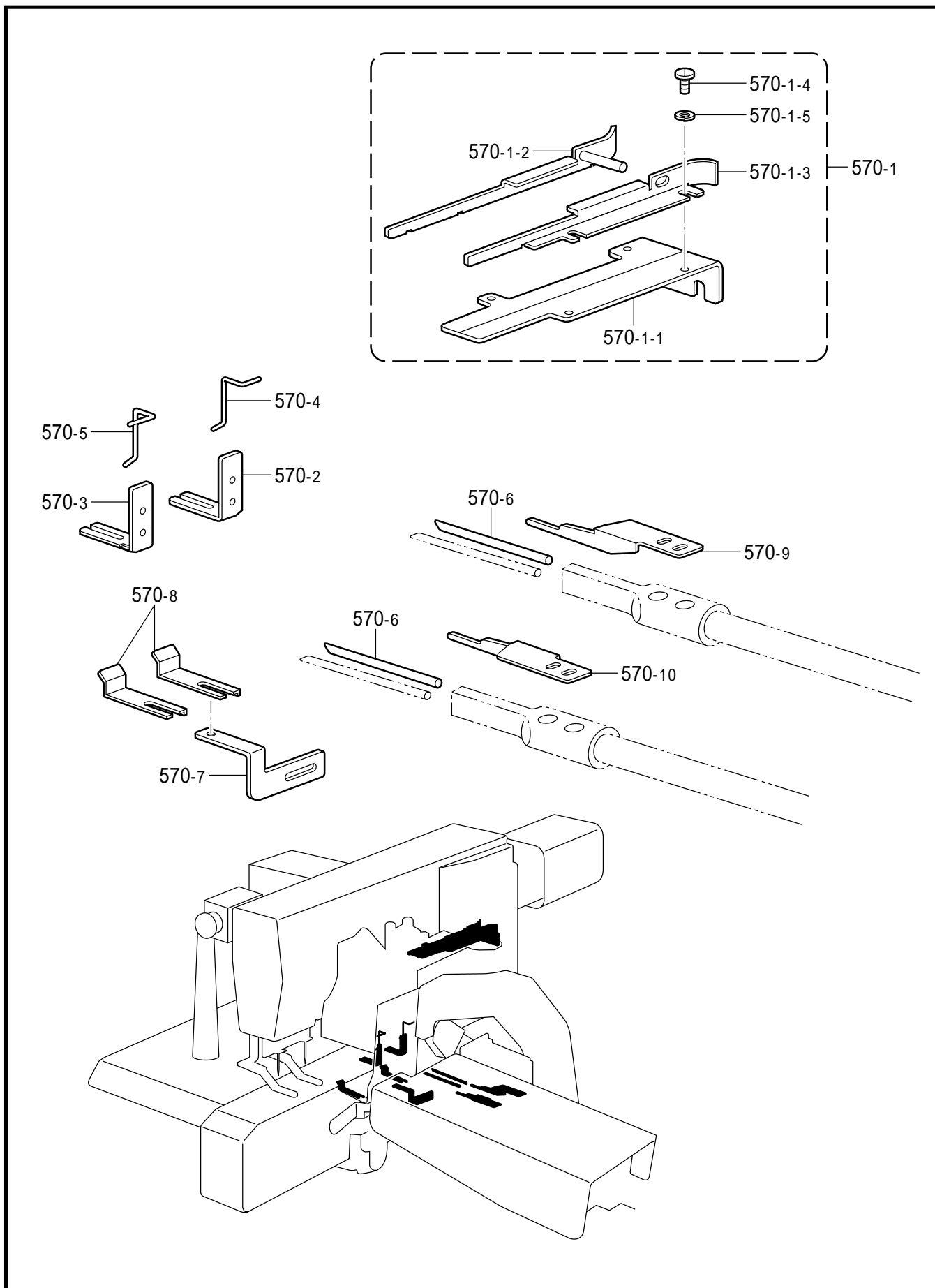
D4 . Feeder mechanism / Knopfsortierer / Tricur de boutons
 / Mecanismo de botones

REF.NO.	CODE	Q'TY	NAME OF PARTS	RM
520	105288001	2	SCREW, SM2.38	
521	S43998001	1	MOVABLE KNIFE GUIDE	
522	S41615001	1	LOOP SUPPORT, T	
523	S13385001	1	SCREW, SM3.57X10	
524	025350236	1	WASHER, PLAIN M 3.5	
525	100257010	2	SCREW, SM3.57	
526	S27853001	1	MOVABLE KNIFE PRESSER	
527	018300822	2	BOLT, SOCKET M3X8	
528	028030242	2	WASHER, SPRING 2-3	
529	S43999001	1	FIXED KNIFE HOLDER BASE	
530	S13385001	2	SCREW, SM3.57X10	
532	S23714001	1	FIXED KNIFE	
533	S44000000	1	FIXED KNIFE HOLDER	
534	141542001	2	SCREW, FLAT SM3.18	
535	S35020001	1	SPREADER SPRING	
537	060400816	2	SCREW, BIND M4X8	
538	018401422	2	BOLT, SOCKET M4X14	
539	008400604	2	SCREW, TRUSS M4X6	
551	S41601101	1	CLIPPING DISPOSAL COVER, A	
553	018401236	2	BOLT, SOCKET M4X12	
554	028040246	2	WASHER, SPRING 2-4	
555	025040236	2	WASHER, PLAIN M 4	
556	S23794001	1	CLIPPING DISPOSAL COVER, B	
557	052300606	2	SCREW, PAN (S/P WASHER) M3X6	
560	S44966001	1	LOOP SUPPORT, B1	
561	S44967001	1	LOOP SUPPOER, B2	
562	018400836	2	BOLT, SOCKET M4X8	
563	028040246	2	WASHER, SPRING 2-4	
564	025040236	2	WASHER, PLAIN M 4	

D5 . Feeder mechanism (Option parts)

/ Knopfsortierer (Sonderzubehör) / Tricur de boutons (Pièces en option)

/ Mecanismo de botones (Piezas opcionales)



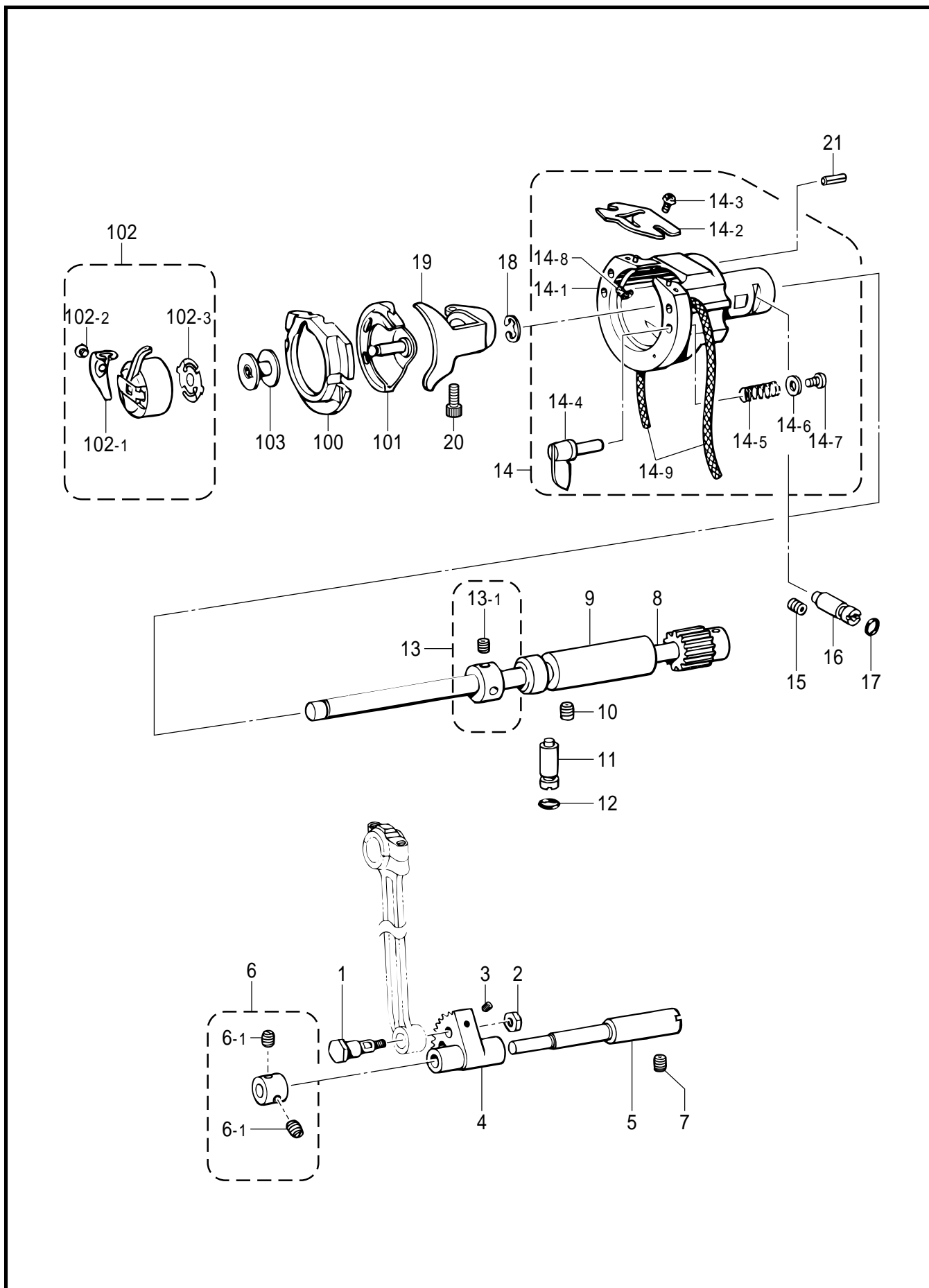
D5 . Feeder mechanism (Option parts)

/ Knopfsortierer (Sonderzubehör) / Tricur de boutons (Pièces en option)

/ Mecanismo de botones (Piezas opcionales)

REF.NO.	CODE	Q'TY	NAME OF PARTS	RM
			<Using the loop width 25.4mm for flat cut only>	
570	S47058001	1	GAUGE SET, 1	
570-1	S44983001	1	CHANNEL ASSY, 25	
570-1-1	S44984001	1	CHANNEL BASE, 25	
570-1-2	S44985001	1	CHANNEL, BACK 25	
570-1-3	S44986001	1	CHANNEL, FRONT 25	
570-1-4	060300516	4	SCREW, BIND M3X5	
570-1-5	028030246	4	WASHER, BIND 2-3	
570-2	S44987001	1	LOOP PRESSER, BL	
570-3	S44988001	1	LOOP PRESSER, FL	
570-4	S44989001	1	SPRING, WIDE NARROW (BL)	
570-5	S44990001	1	SPRING, WIDE NARROW (FL)	
570-6	S41919001	2	FORK SHAFT, 2.0LL	
570-7	S47528001	1	LOOP SUPPORT, B2L	
570-8	S47529001	2	LOOP GUIDE, 1L	
570-9	S47553001	1	LOOSEN PRESSER FOOT, BL	
570-10	S47554001	1	LOOSEN PRESSER FOOT, FL	

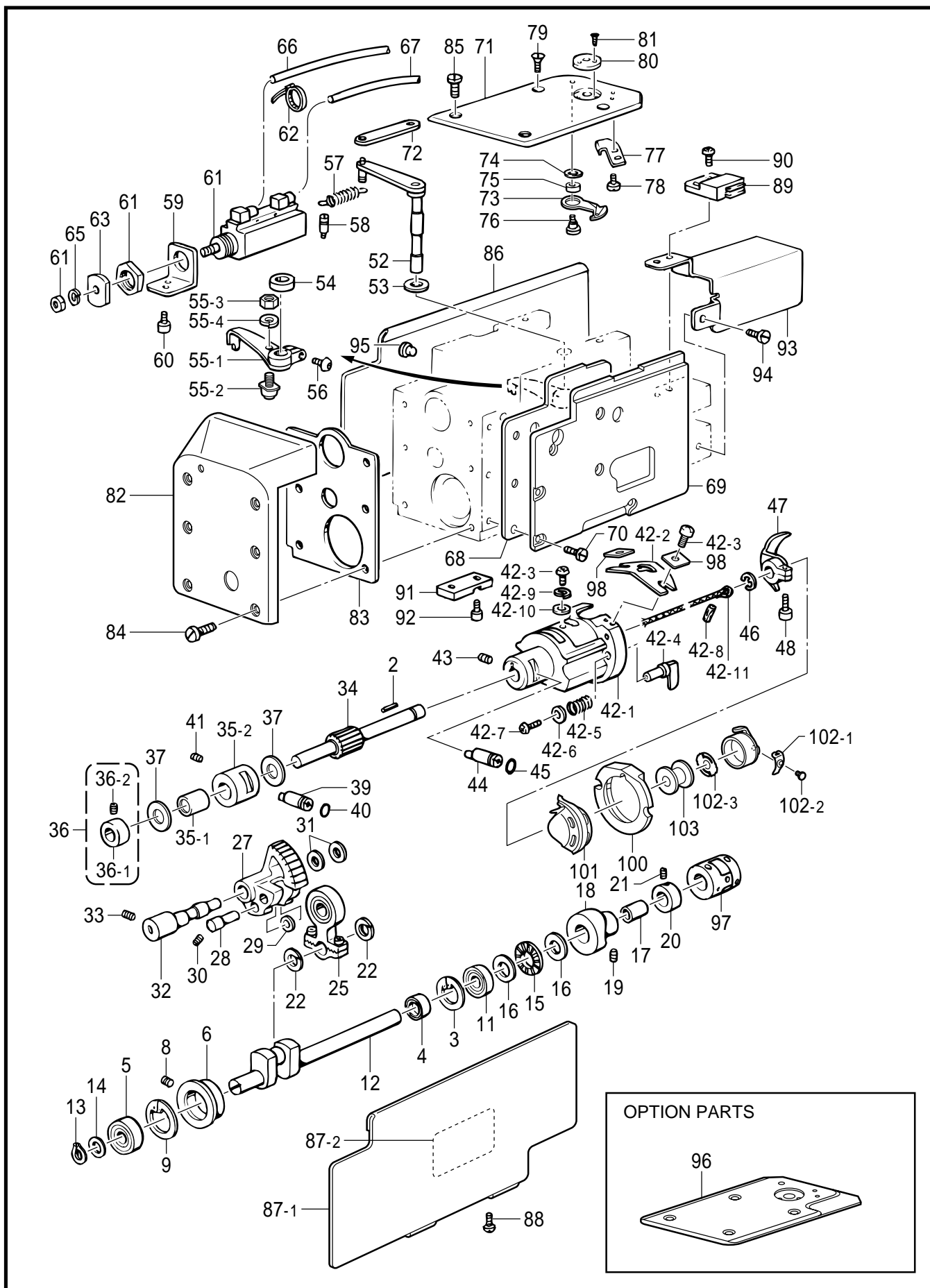
E . Lower shaft mechanism / Untere Welle / Mécanisme de l'arbre inférieur
 / Mecanismo del eje inferior



E . Lower shaft mechanism / Untere Welle / Mécanisme de l'arbre inférieur
/ Mecanismo del eje inferior

REF.NO.	CODE	Q'TY	NAME OF PARTS	RM
1	141786001	1	SHOULDER SCREW, CRANK ROD	
2	100090004	1	NUT, SM7.14	
3	014680622	1	SET SCREW, SOCKET (CP) SM4.37	
4	152245001	1	ROCK GEAR	
5	S37978151	1	ROCK GEAR SHAFT	
6	181995001	1	SET SCREW COLLAR ASSY	
6-1	101706001	2	SET SCREW, SM6.35	
7	014760622	1	SET SCREW, SOCKET SM5.95	
8	S41710001	1	LOWER SHAFT ASSY	
9	S37981051	1	LOWER SHAFT BUSH	
10	014760622	1	SET SCREW, SOCKET SM5.95	
11	152678001	1	ADJUSTING STUD	
12	081003670	1	O RING, PW3	
13	S03704002	1	SET SCREW COLLAR ASSY	
13-1	014770622	2	SET SCREW, SOCKET (CP) SM6.35	
14	S41717001	1	SHUTTLE RACE BASE ASSY	
14-1	S02428001	1	SHUTTLE RACE BASE	
14-2	S41718001	1	SHUTTLE RACE THREAD GUIDE	
14-3	062660412	2	SCREW, PAN SM3.18-40X4	
14-4	152683001	2	SHUTTLE RACE BODY SETTING CLAW	
14-5	152684101	2	SPRING, COMPRESSION	
14-6	402887001	2	WASHER, 3.2	
14-7	062660712	2	SCREW, PAN SM3.18-40X7	
14-8	153050000	2	SHUTTLE RACE BASE FELT	
14-9	S02877000	2	WICK, 4X4 (L=350)	
15	014760622	1	SET SCREW, SOCKET SM5.95	
16	152678001	1	ADJUSTING STUD	
17	081003670	1	O RING, PW3	
18	048080342	1	RETAINING RING, E8	
19	S41712001	1	DRIVER	
20	018501422	1	BOLT, SOCKET M5X14	
21	120438001	1	PIN, DOWEL	
100	S41714101	1	SHUTTLE RACE BODY, D	
101	S41713901	1	SHUTTLE HOOK BOX ASSY, LD	
102	S18974101	1	BOBBIN CASE ASSY, LAN	
102-1	S16074101	1	TENSION SPRING, A	
102-2	S16492101	1	SCREW, BOBBIN CASE SPRING	
102-3	S15667001	1	SPRING, ANTI-SPIN	
103	S15665001	1	BOBBIN, LA	

F . Lower shaft module mechanism / Module für untere Welle
 / Mécanisme de module d' arbre inférieur / Mecanismo de módulo de eje inferior

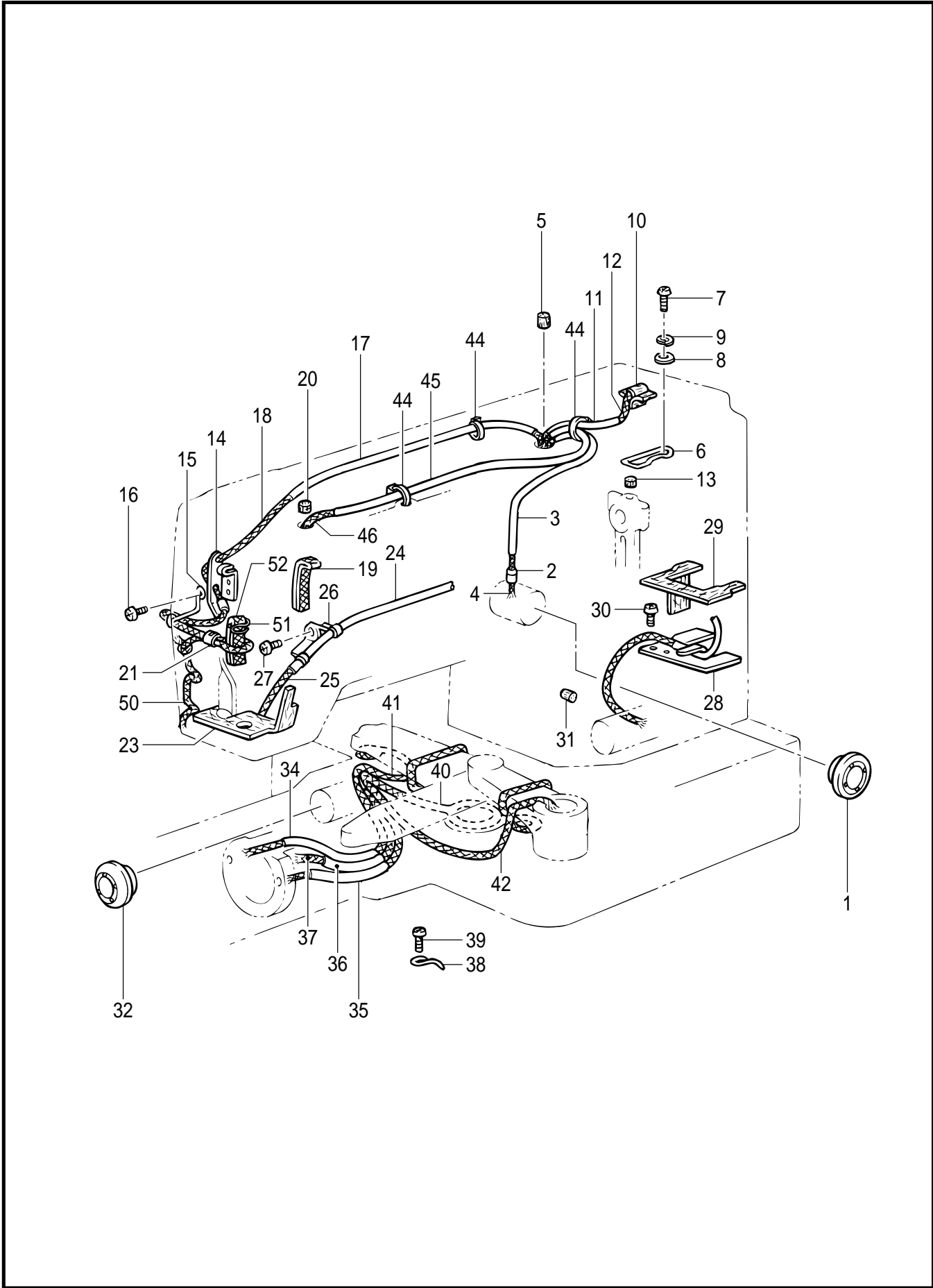


F . Lower shaft module mechanism / Module für untere Welle
 / Mécanisme de module d' arbre inférieur / Mecanismo de módulo de eje inferior

REF.NO.	CODE	Q'TY	NAME OF PARTS	RM
2	120438001	1	PIN, DOWEL	
3	048260242	1	RETAINING RING, C26	
4	S41808000	1	OIL SEAL	
5	072600080	1	BALL BEARING, 6000ZZ	
6	S41809000	1	BALL BEARING CASE	
8	012500536	1	SET SCREW, SOCKET (FT) M5X5	
9	048260242	1	RETAINING RING, C26	
11	072600080	1	BALL BEARING, 6000ZZ	
12	S41810001	1	BM-CRANK SHAFT	
13	048100142	1	RETAINING RING, C10	
14	S09027001	1	WASHER, PLAIN S 10	
15	072512260	1	THRUST BEARING	
16	S41811000	2	WASHER, THURST	
17	S41812001	1	CAM SLEEVE	
18	S41813001	1	THREAD TRIMMING CAM	
19	013719412	2	SET SCREW, (CP) SM4.76	
20	150594001	1	SET SCREW COLLAR	
21	014760622	2	SET SCREW, SOCKET SM5.95	
22	S41814000	2	ROD STOPPER, 1.6	
25	S41815001	1	BM-CRANK ROD ASSY	
27	S41819001	1	ROCK GEAR	
28	S41820001	1	BUSHING	
29	122257001	1	WASHER	
30	151602002	2	SET SCREW, SM4.37	
31	153596001	2	WASHER	
32	S41821001	1	ROCK GEAR SHAFT	
33	012500536	1	SET SCREW, SOCKET (FT) M5X5	
34	S41822001	1	SHUTTLE HOOK SHAFT	
35	S41823001	1	SHUTTLE HOOK SHAFT BUSH. ASSY	
35-1	S13744001	1	NEEDLE BEARING, 9.53	
35-2	S41824001	1	SHUTTLE HOOK SHAFT BUSHING	
36	S03490001	1	SET SCREW COLLAR ASSY	
36-1	115127001	1	SET SCREW COLLAR	
36-2	013710512	2	SET SCREW, (CP) SM4.76	
37	S41805001	2	WASHER, THRUST	
39	152678001	1	ADJUSTING STUD	
40	081003670	1	O RING, PW3	
41	012500536	1	SET SCREW, SOCKET (FT) M5X5	
42	S41825001	1	SHUTTLE RACE BASE ASSY, BM	
42-1	S41826001	1	SHUTTLE RACE BASE, BM	
42-2	S41718001	1	SHUTTLE RACE THREAD GUIDE	
42-3	062660412	3	SCREW, PAN SM3.18-40X4	
42-4	152683001	2	SHUTTLE RACE BODY SETTING CLAW	
42-5	152684101	2	SPRING, COMPRESSION	
42-6	402887001	2	WASHER, 3.2	
42-7	062660712	2	SCREW, PAN SM3.18-40X7	
42-8	153050000	2	SHUTTLE RACE BASE FELT	
42-9	028350243	1	WASHER, SPRING 2-3.5	
42-10	025030335	1	WASHER, PLAIN L 3	
42-11	S02877000	2	WICK, 4X4 (L=350)	
43	012500536	1	SET SCREW, SOCKET (FT) M5X5	
44	152678001	1	ADJUSTING STUD	
45	081003670	1	O RING, PW3	
46	048080342	1	RETAINING RING, E8	
47	S41712001	1	DRIVER	
48	018501422	1	BOLT, SOCKET M5X14	
52	S41829001	1	THREAD TRIMMER LEVER SHAFT	
53	153596001	1	WASHER	
54	148239001	1	THRUST COLLAR	

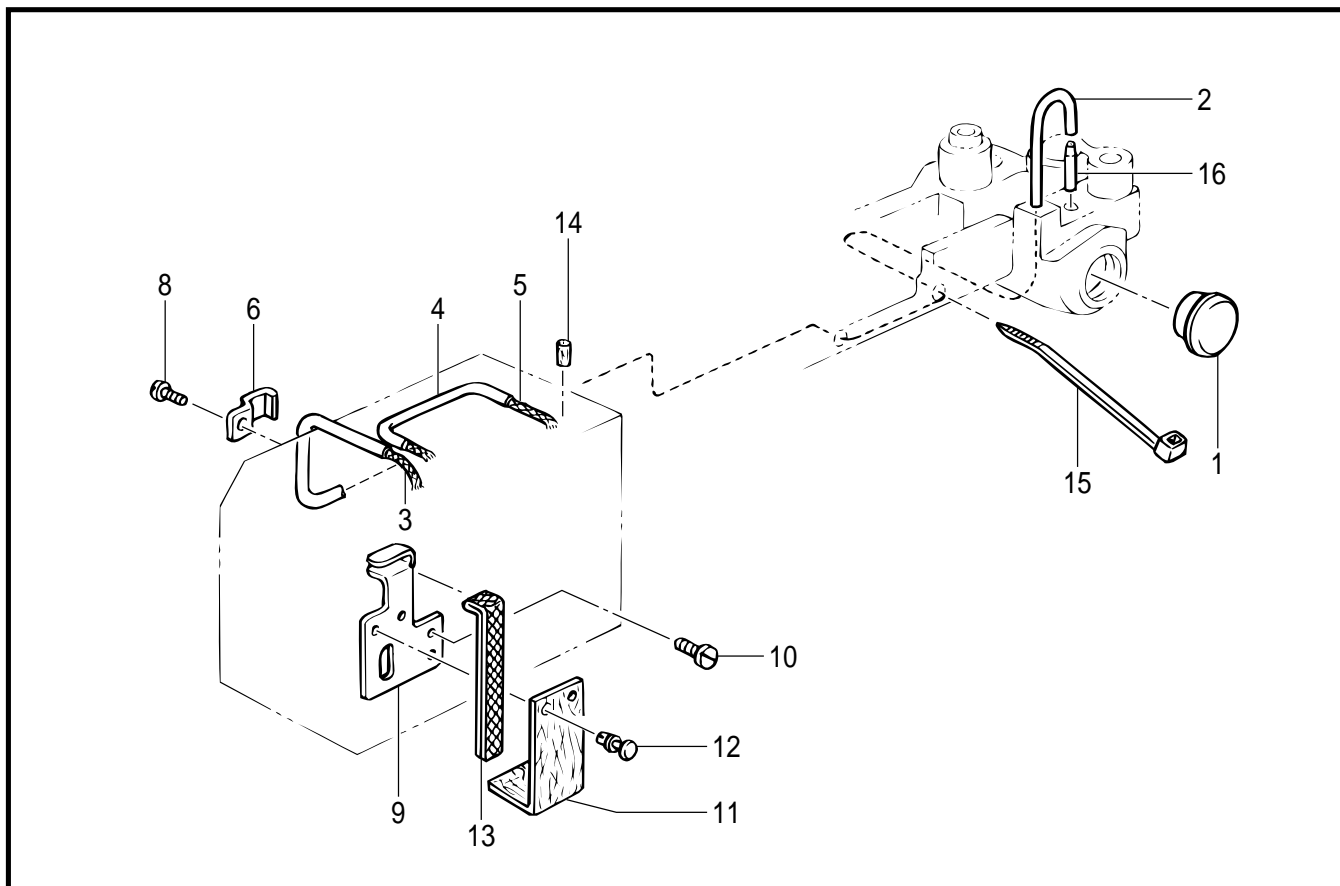
F . Lower shaft module mechanism / Module für untere Welle
 / Mécanisme de module d' arbre inférieur / Mecanismo de módulo de eje inferior

REF.NO.	CODE	Q'TY	NAME OF PARTS	RM
55	S41830001	1	THREAD TRIMMER LEVER ASSY	
55-1	S41831001	1	THREAD TRIMMER LEVER	
55-2	154590001	1	ROLLER SHAFT ASSY, C	
55-3	105234003	1	NUT, SM4.37	
55-4	028680242	1	WASHER, SPRING 2-4.37	
56	S41850001	1	SCREW, BUTTON HEAD M5X14	
57	S41832001	1	SPRING, THREAD TRIMMER	
58	107657001	1	SPRING HOOK	
59	S41833001	1	SETTING PLATE, TR CYLINDER	
60	018400636	2	BOLT, SOCKET M4X6	
61	S41834000	1	THREAD TRIMMER CYLINDER ASSY	
62	228475000	1	FASTENING BAND, 1.9X80	
63	S41836001	1	TR LEVER DRIVING PLATE	
65	028050246	1	WASHER, SPRING 2-5	
66	S41943000	1	AIR TUBE, 0425S (L=1450)	
67	S31706000	1	AIR TUBE, 4X1510	
68	S41837000	1	BM-PACKING	
69	S41838001	1	BM-SIDE COVER	
70	106629002	6	SCREW, SM4.37	
71	S41839001	1	BM-NEEDLE PLATE	
72	S41840001	1	THREAD TRIMMER CONNECTING ROD	
73	S10205001	1	MOVABLE KNIFE ASSY	
74	S10208001	1	WASHER, MOVABLE KNIFE T=0.4	
74	S10208002	1	WASHER, MOVABLE KNIFE T=0.5	
74	S10208003	1	WASHER, MOVABLE KNIFE T=0.6	
75	S00705001	1	MOVABLE KNIFE COLLAR	
76	S10209101	1	SCREW, SM4.37	
77	S41738001	1	FIXED KNIFE	
78	111140002	2	SCREW, SM2.38	
79	100032004	2	SCREW, FLAT SM4.37	
80	S10212101	1	NEEDLE HOLE PLATE, E	
81	100360003	2	SCREW, FLAT SM2.38	
82	S41841109	1	BM-FRONT COVER	
83	S41842000	1	FRONT PACKING	
84	106629002	6	SCREW, SM4.37	
85	153208002	2	SCREW, SM4.37	
86	S41843009	1	BM-COVER, R	
87-1	S41844009	1	BM-COVER, L	
87-2	S45721001	1	LABEL, CLEANING	
88	060300416	8	SCREW, BIND M3X4	
89	S41845000	2	MAGNET CATCH	
90	060300612	4	SCREW, BIND M3X6	
91	S41846001	1	KEY, 18	
92	018400636	2	BOLT, SOCKET M4X6	
93	S41847009	1	BM-MOTOR COVER	
94	106629002	1	SCREW, SM4.37	
95	S41848000	4	RUBBER CAP, 6.6	
97	S41849000	1	COUPLING, 8	
98	S44773101	2	STOPPER PLATE	
100	S41714101	1	SHUTTLE RACE BODY, D	
101	S41713901	1	SHUTTLE HOOK BOX ASSY, LD	
102	S18974101	1	BOBBIN CASE ASSY, LAN	
102-1	S16074101	1	TENSION SPRING, A	
102-2	S16492101	1	SCREW, BOBBIN CASE SPRING	
102-3	S15667001	1	SPRING, ANTI-SPIN	
103	S15665001	1	BOBBIN, LA	
96	S46563001	1	" OPTION PARTS " NEEDLE PLATE, E BM	



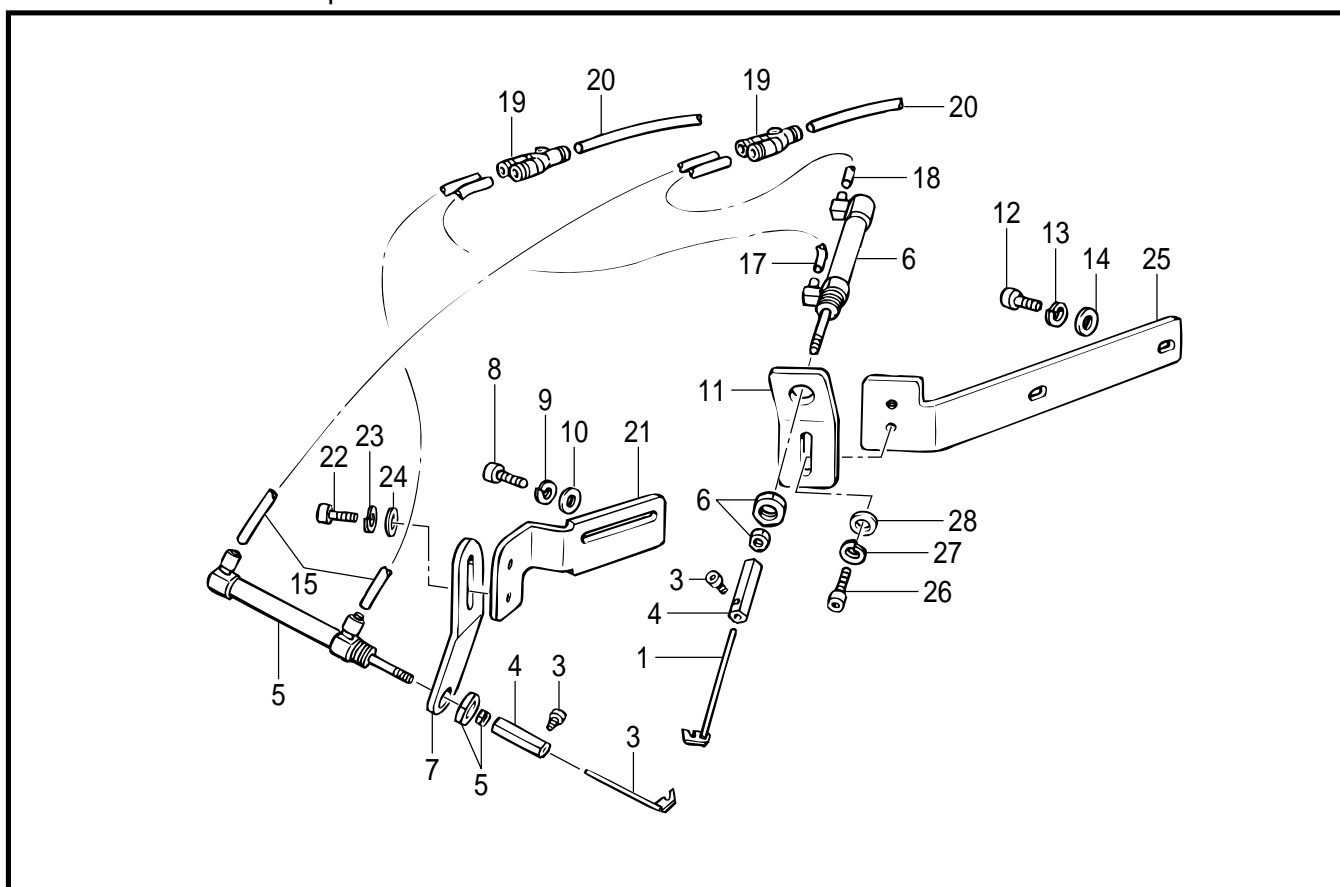
G1 . Lubrication / Schmierung / Lubrification / Lubricación

REF.NO.	CODE	Q'TY	NAME OF PARTS	RM
1	152948001	1	OIL WINDOW	
2	S07333001	1	OIL FEEDING PIPE, S	
3	S07456000	1	OIL TUBE, L=160	
4	148738000	1	WICK, L=335	
5	107149001	1	FELT	
6	S37983001	1	WICK SUPPORT	
7	062680612	1	SCREW, PAN SM4.37-40X6	
8	025680232	1	WASHER, PLAIN M 4.37	
9	028680242	1	WASHER, SPRING 2-4.37	
10	S10478000	1	FELT	
11	S34986000	1	OIL TUBE, L=135	
12	153920001	1	WICK, 4X4 (L=300)	
13	107149001	1	FELT	
14	S21527001	1	WICK SUPPORT	
15	S10162201	1	WICK SUPPORT	
16	060670512	1	SCREW, BIND SM3.57-40X5	
17	S37984000	1	OIL TUBE, L=290	
18	S41715001	1	WICK, 4X4 (L=800)	
19	153562001	1	FLAT WICK, L=150	
20	151927001	1	CLUTCH FELT	
21	104567001	1	WICK SUPPORT	
23	S37985000	1	FELT	
24	S37986000	1	OIL TUBE, L=440	
25	S18093100	1	WICK, 4X4 (L=1100)	
26	145547001	1	TUBE HOLDER	
27	062670512	1	SCREW, PAN SM3.57-40X5	
28	S37987001	1	FELT SUPPORT	
29	S37988000	1	FELT	
30	062680612	1	SCREW, PAN SM4.37-40X6	
31	S09043000	1	FELT	
32	152948001	1	OIL WINDOW	
34	S34983000	1	OIL TUBE, L=160	
35	S34986000	1	OIL TUBE, L=135	
36	S34982000	1	OIL TUBE, L=70	
37	153920001	1	WICK, 4X4 (L=300)	
38	152969001	1	CORD SUPPORT	
39	062670512	1	SCREW, PAN SM3.57-40X5	
40	148738000	1	WICK, L=335	
41	148738000	1	WICK, L=335	
42	152956001	1	WICK, 4X4 (L=500)	
44	228475000	3	FASTENING BAND, 1.9X80	
45	S37984000	1	OIL TUBE, L=290	
46	S41715001	1	WICK, 4X4 (L=800)	
50	S41716000	1	WICK, (L=80)	
51	152962001	1	WICK SUPPORT	
52	152960001	1	FLAT WICK (L=40)	



151-705-350

H . Thread wiper mechanism / Fadenwischvorrichtung / Mécanisme de tire-fil / Mecanismo del limpiador de hilo



151-705-405

G2 . Lubrication / Schmierung / Lubrification / Lubricación

REF.NO.	CODE	Q'TY	NAME OF PARTS	RM
1	152948001	1	OIL WINDOW	
2	S41852000	1	OIL TUBE, (L=480)	
3	S41853001	1	WICK, 4X4 (L=700)	
4	S34982000	1	OIL TUBE, L=70	
5	S41855001	1	WICK, 4X4 (L=40)	
6	140647001	1	CORD HOLDER	
8	062670512	1	SCREW, PAN SM3.57-40X5	
9	S41856000	1	BM-BASE WICK SUPPORT	
10	106629002	2	SCREW, SM4.37	
11	S41857001	1	FELT, BM WICK SUPPORT	
12	S35001000	2	NYLON RIVET	
13	153562001	1	FLAT WICK, L=150	
14	145624000	1	FELT	
15	228475000	1	FASTENING BAND, 1.9X80	
16	S07333001	1	OIL FEEDING PIPE, S	

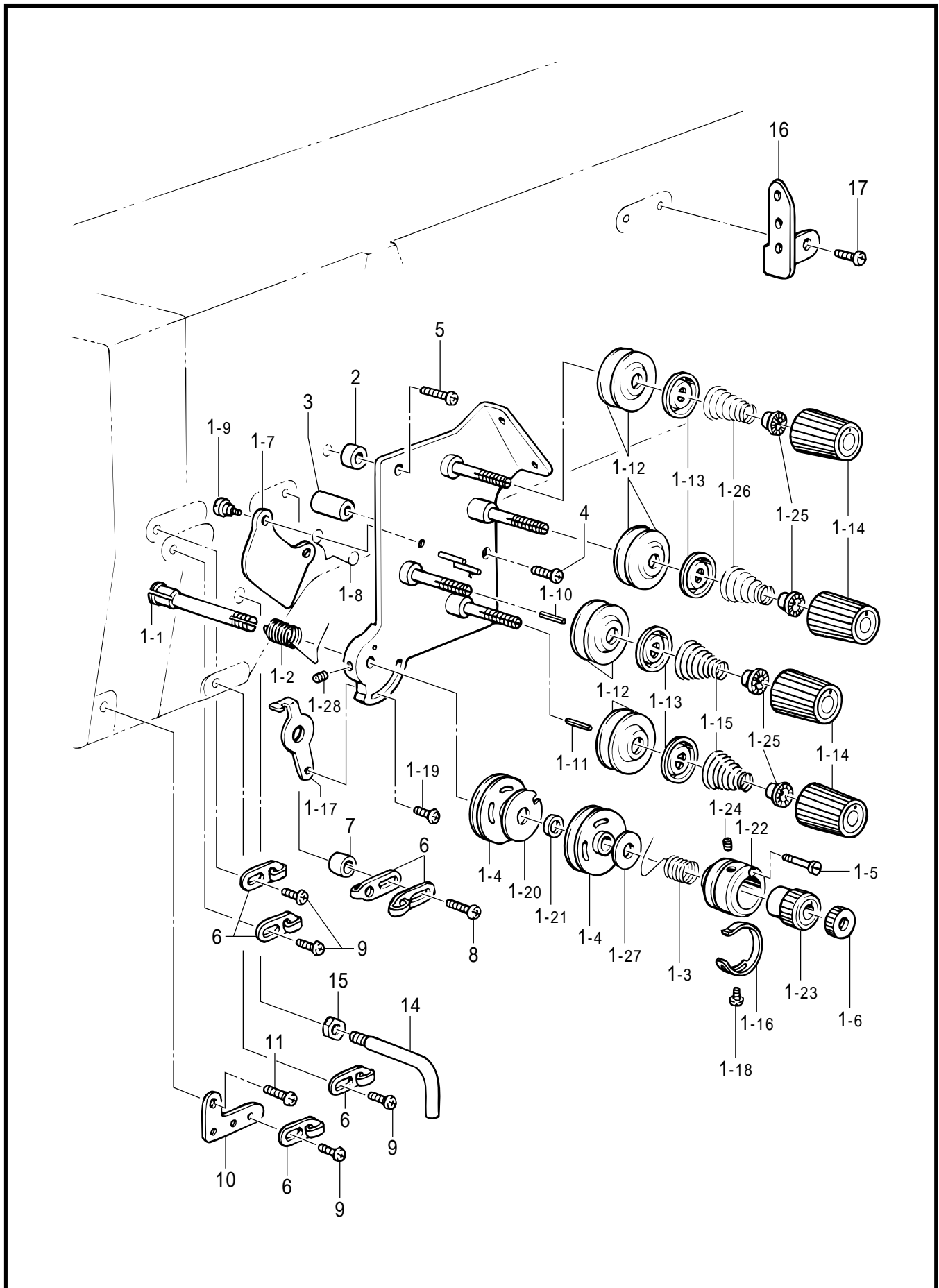
151-705-350

H . Thread wiper mechanism / Fadenwischvorrichtung / Mécanisme de tire-fil / Mecanismo del limpiador de hilo

REF.NO.	CODE	Q'TY	NAME OF PARTS	RM
1	S07553001	1	THREAD WIPER	
2	S41865001	1	THREAD WIPER, F	
3	S07424001	2	BOLT, SOCKET SM3.18X4	
4	S41866001	2	THREAD WIPER ARM	
5	S41867000	1	CYLINDER ASSY	
6	S41581000	1	CYLINDER ASSY, 10X30	
7	S41870001	1	THREAD WIPER SUPPORT PLATE, F	
8	018401036	1	BOLT, SOCKET M4X10	
9	028040246	1	WASHER, SPRING 2-4	
10	025040236	1	WASHER, PLAIN M 4	
11	S41871001	1	THREAD WIPER SUPPORT PLATE, R	
12	018401036	2	BOLT, SOCKET M4X10	
13	028040246	2	WASHER, SPRING 2-4	
14	025040236	2	WASHER, PLAIN M 4	
15	S41936000	2	AIR TUBE, 0425S (L=440)	
17	S41935000	1	AIR TUBE, 0425S (L=350)	
18	S28741000	1	AIR TUBE, L=290	
19	S19557000	2	MINIATURE UNION, Y4	
20	S41943000	2	AIR TUBE, 0425S (L=1450)	
21	S41872001	1	THREAD WIPER SLIDE PLATE, F	
22	018400836	2	BOLT, SOCKET M4X8	
23	028040246	2	WASHER, SPRING 2-4	
24	025040236	2	WASHER, PLAIN M 4	
25	S41873001	1	THREAD WIPER SLIDE PLATE, R	
26	018401236	2	BOLT, SOCKET M4X12	
27	028040246	2	WASHER, SPRING 2-4	
28	025040236	2	WASHER, PLAIN M 4	

151-705-405

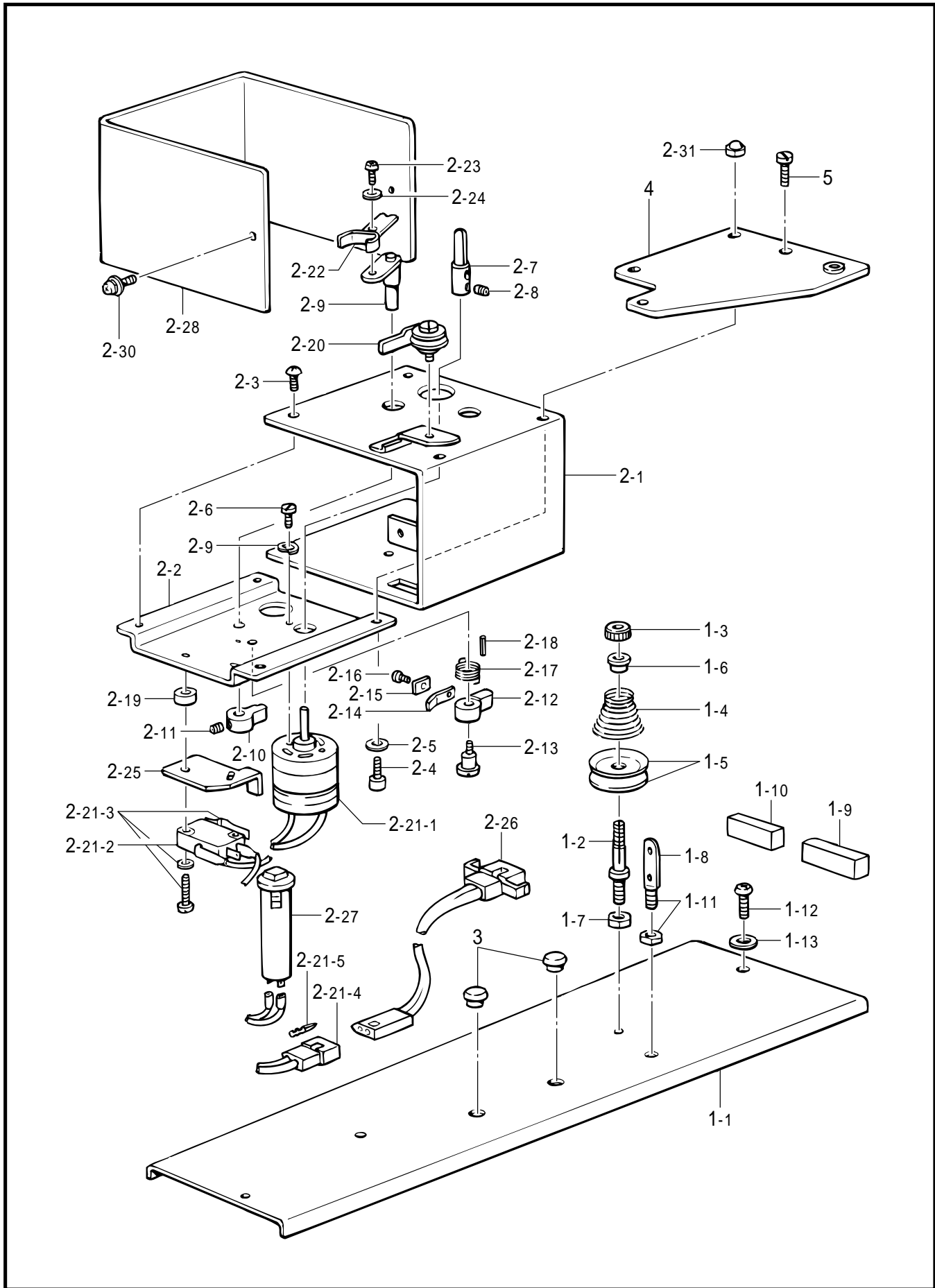
J . Threading mechanism / Fadenführungsrichtung / Mécanisme de l'enfilage / Mecanismo del enhebrado



J . Threading mechanism / Fadenführungsrichtung / Mécanisme de l'enfilage
/ Mecanismo del enhebrado

REF.NO.	CODE	Q'TY	NAME OF PARTS	RM
1	S41719001	1	UPPER THREAD TENSION ASSY	
1-1	S41721001	1	THREAD TENSION STUD	
1-2	S41722001	1	TENSION SPRING, L	
1-3	S41723001	1	TENSION SPRING, R	
1-4	S41724001	2	TENSION SPRING GUIDE ASSY	
1-5	146124001	1	SCREW, SM2.38	
1-6	108265009	1	TENSION NUT	
1-7	S41725001	1	TENSION RELEASE PLATE	
1-8	S38274001	1	SPRING, TENSION RELEASE	
1-9	112712001	2	SHOULDER SCREW, SM3.57	
1-10	S07488001	1	PIN, TENSION RELEASE (L)	
1-11	158769001	1	PIN, TENSION RELEASE (R)	
1-12	145446001	8	TENSION DISC	
1-13	159805001	4	TENSION DISC PRESSER	
1-14	149566109	4	TENSION NUT	
1-15	148851001	2	THREAD TENSION ADJUST SPRING	
1-16	S41726001	1	TENSION SPRING STOPPER	
1-17	S41727001	1	TENSION SPRING STOPPER, L	
1-18	062670512	1	SCREW, PAN SM3.57-40X5	
1-19	060350812	1	SCREW, BIND M3.5X8	
1-20	S08605101	1	SPACER	
1-21	S08606001	1	COLLAR	
1-22	S41728001	1	STOPPER SUPPORT	
1-23	S08610101	1	ADJUST THUMB	
1-24	013660612	1	SET SCREW, (CP) SM3.18	
1-25	144105000	4	FLANGE WASHER, TENSION SPRING	
1-26	144110001	2	THREAD TENSION ADJUST SPRING	
1-27	109893002	1	WASHER	
1-28	012400436	1	SET SCREW, SOCKET (FT) M4X4	
2	S03303001	1	COLLAR	
3	S07071001	1	PRESSER BAR LIFTER ROLLER	
4	062682012	1	SCREW, PAN SM4.37-40X20	
5	062681212	1	SCREW, PAN SM4.37-40X12	
6	S41729001	6	ARM THREAD GUIDE	
7	153215001	1	COLLAR, 21	
8	062671412	1	SCREW, PAN SM3.57-40X14	
9	060670612	4	SCREW, BIND SM3.57-40X6	
10	S41730001	1	GUIDE, ARM THREAD GUIDE	
11	060670612	1	SCREW, BIND SM3.57-40X6	
14	S41731001	1	ARM THREAD GUIDE	
15	021680202	1	NUT, 2 SM4.37	
16	152889001	1	THREAD RETAINER	
17	062670612	2	SCREW, PAN SM3.57-40X6	

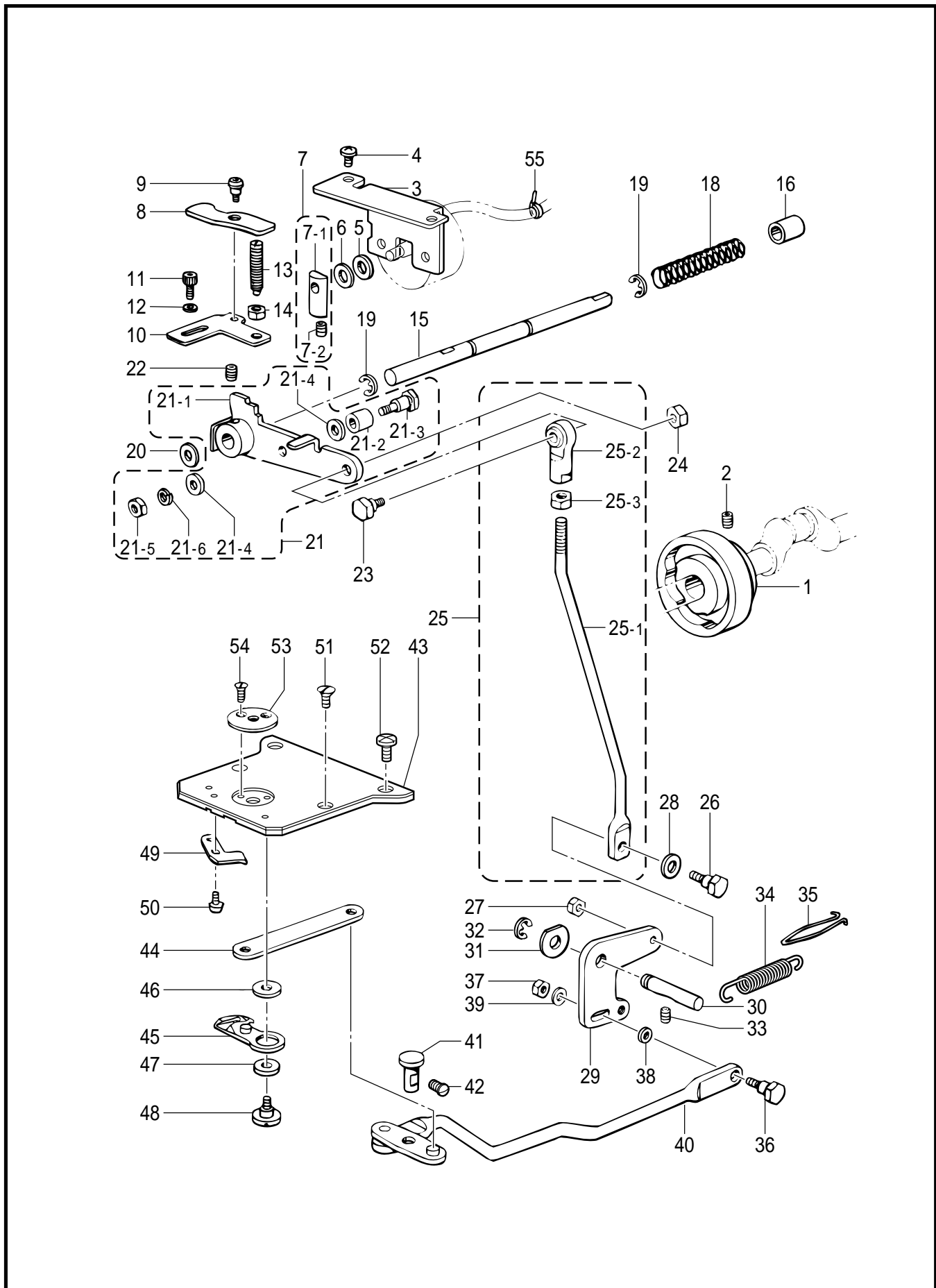
K . Bobbin winder mechanism / Spuler / Mécanisme du bobineur
 / Mecanismo del devanador de la canilla



K . Bobbin winder mechanism / Spuler / Mécanisme du bobineur
/ Mecanismo del devanador de la canilla

REF.NO.	CODE	Q'TY	NAME OF PARTS	RM
1	S41859009	1	TOP COVER ASSY	
1-1	S41860009	1	TOP COVER	
1-2	159574101	1	TENSION STUD	
1-3	100136001	1	TENSION NUT	
1-4	144110001	1	THREAD TENSION ADJUST SPRING	
1-5	145446001	2	TENSION DISC	
1-6	144105000	1	FLANGE WASHER, TENSION SPRING	
1-7	021680202	1	NUT, 2 SM4.37	
1-8	141590001	1	THREADING BAR, U	
1-9	S41861000	1	CUSHION, L	
1-10	S41862000	1	CUSHION, S	
1-11	100022004	2	NUT, SM5.95	
1-12	062681212	3	SCREW, PAN SM4.37-40X12	
1-13	025680232	3	WASHER, PLAIN M 4.37	
2	S41863009	1	BOBBIN WINDER ASSY	
2-1	S41858009	1	BOBBIN WINDER BASE	
2-2	S41851001	1	B-WINDER MOTOR SUPPORT PLATE	
2-3	008300604	2	SCREW, TRUSS M3X6	
2-4	018401236	2	BOLT, SOCKET M4X12	
2-5	110735002	2	WASHER	
2-6	S35032101	2	SCREW, M2.6X5.5	
2-7	S39903001	1	BOBBIN WINDER SHAFT	
2-8	014300332	2	SET SCREW, SOCKET (CP) M3X3	
2-9	154024001	1	BOBBIN PRESSER	
2-10	154092001	1	BOBBIN WINDER CLAW	
2-11	014680422	2	SET SCREW, SOCKET (CP) SM4.37	
2-12	152361001	1	BOBBIN WINDER LEVER	
2-13	152362001	1	BOBBIN WINDER SHOULDER SCREW	
2-14	111942001	1	SPRING, PLATE	
2-15	111943001	1	WASHER	
2-16	060660512	1	SCREW, BIND SM3.18-40X5	
2-17	152363001	1	SPRING, TWIST A	
2-18	047301042	1	PIN, SPRING ROLL AW3	
2-19	152364001	2	COLLAR	
2-20	146197001	1	THREAD CLAMP ASSY	
2-21	S39847001	1	BOBBIN WINDER MOTOR ASSY	
2-21-1	S39908000	1	BOBBIN WINDER MOTOR	
2-21-2	152507000	1	MICRO SWITCH, D	
2-21-3	152508000	1	MICRO ACTUATOR	
2-21-4	152509000	1	NYLON CONNECTOR, E	
2-21-5	552851001	2	TERMINAL PIN, #1854	
2-22	152645001	1	BOBBIN HOLDER PLATE	
2-23	062300616	1	SCREW, PAN M3X6	
2-24	025030236	1	WASHER, PLAIN M 3	
2-25	158597001	1	BOBBIN WINDER STOPPER	
2-26	S21103000	1	BOBBIN WINDER HARNESS, C	
2-27	S16669000	1	PROTECTOR, 0.5A	
2-28	S31960009	1	BOBBIN WINDER COVER	
2-29	028260242	2	WASHER, SPRING 2-2.6	
2-30	052300606	2	SCREW, PAN (S/P WASHER) M3X6	
2-31	S00505001	2	NUT, CAP M4	
3	104450109	2	RUBBER CAP, 8	
4	S41864009	1	SETTING PLATE, BOBBIN WINDER	
5	106629002	2	SCREW, SM4.37	

L . Thread trimmer mechanism / Fadenabschneidevorrichtung
/ Mécanisme de coupe-fil / Mecanismo de la cortadura de hiros



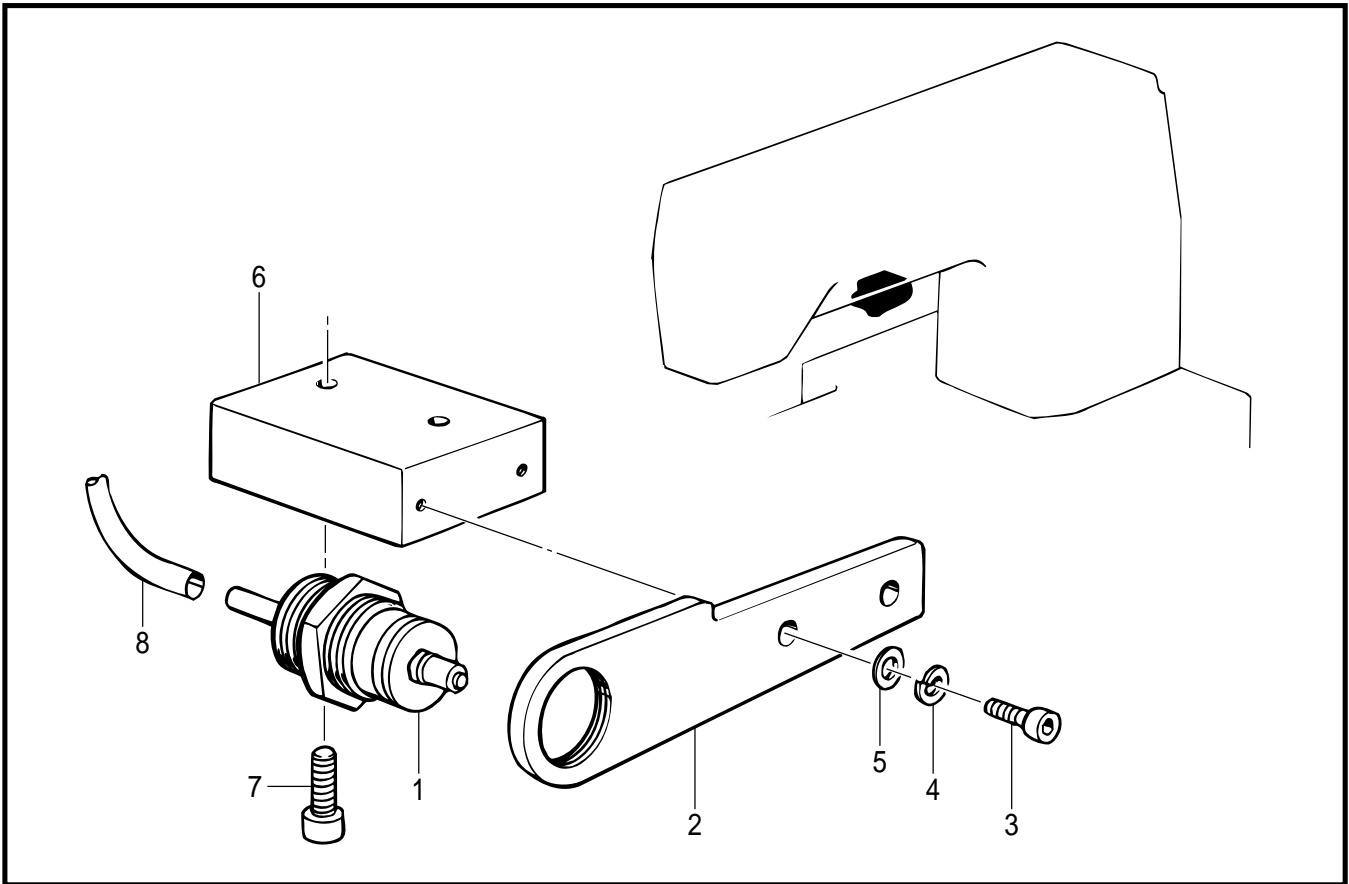
L . Thread trimmer mechanism / Fadenabschneidevorrichtung
 / Mécanisme de coupe-fil / Mecanismo de la cortadura de hiros

REF.NO.	CODE	Q'TY	NAME OF PARTS	RM
1	S38001001	1	THREAD TRIMMER CAM	
2	014770622	2	SET SCREW, SOCKET (CP) SM6.35	
3	S38002101	1	SOLENOID SETTING PLATE	
4	060680712	2	SCREW, BIND SM4.37-40X7	
5	154599000	1	SOLENOID CUSHION	
6	S02652001	1	WASHER	
7	S23836001	1	SOLENOID LEVER ASSY	
7-1	S02654001	1	SOLENOID LEVER	
7-2	014680622	1	SET SCREW, SOCKET (CP) SM4.37	
8	S38003001	1	PUSHING LEVER DRIVING LEVER	
9	145478101	1	SHOULDER SCREW, SM4.76	
10	S38004002	1	DRIVING LEVER STOPPER, H=0.3 <Mark2>	
10	S38004003	1	DRIVING LEVER STOPPER, H=0.6 <Mark3>	
10	S38004004	1	DRIVING LEVER STOPPER, H=0.45 <Mark4>	
11	018681022	2	BOLT, SOCKET SM4.37X10	
12	025680132	2	WASHER, PLAIN S 4.37	
13	159905001	1	ADJUST SCREW	
14	106147002	1	NUT, SM7.94	
15	S38005001	1	DRIVING LEVER SHAFT	
16	231071001	1	BUSH, 8X15	
18	S41734001	1	RETURN SPRING, DRIVING SHAFT	
19	048070342	2	RETAINING RING, E7	
20	154596000	1	CUSHION	
21	S38006001	1	TR. TRIMMER DRIVING LEVER ASSY	
21-1	S38007001	1	THREAD TRIMMER DRIVING LEVER	
21-2	153597001	1	LOWER THREAD RETAINER COLLAR	
21-3	S30033001	1	SHOULDER SCREW, SM3.57	
21-4	148813001	2	WASHER	
21-5	106129002	1	NUT, SM3.57	
21-6	028350242	1	WASHER, SPRING 2-3.5	
22	014770622	1	SET SCREW, SOCKET (CP) SM6.35	
23	S02354001	1	SHOULDER SCREW, B	
24	100022005	1	NUT, SM5.95	
25	S38008001	1	THREAD TRIMMER ROD ASSY	
25-1	S38009001	1	THREAD TRIMMER ROD	
25-2	S07512001	1	ROUND JOINT ASSY, R	
25-3	100022005	1	NUT, SM5.95	
26	110233001	1	SHOULDER SCREW, SM4.76	
27	110161004	1	NUT, SM4.76	
28	109893002	1	WASHER	
29	S38010001	1	THREAD TRIMMER LEVER	
30	S10195001	1	LEVER SHAFT	
31	110367001	1	WASHER, PLAIN SPECIAL 8	
32	048060342	1	RETAINING RING, E6	
33	014760622	1	SET SCREW, SOCKET SM5.95	
34	S38011001	1	THREAD TRIMMER RETURN SPRING	
35	158940001	1	SPRING HOOK	
36	110233001	1	SHOULDER SCREW, SM4.76	
37	110161004	1	NUT, SM4.76	
38	153484001	1	WASHER, PLAIN 4.76	
39	025680232	1	WASHER, PLAIN M 4.37	
40	S41735001	1	CONNECTIG ROD LEVER ASSY	
41	S10202101	1	CONNECTING ROD LEVER SHAFT	
42	121007001	1	SET SCREW, SM4.37	
43	S41737001	1	NEEDLE PLATE	
44	S38016001	1	THREAD TRIMMER CONNECTING ROD	
45	S10205001	1	MOVABLE KNIFE ASSY	
46	S10208001	1	WASHER, MOVABLE KNIFE T=0.4 <t=0.4>	
46	S10208002	1	WASHER, MOVABLE KNIFE T=0.5 <t=0.5>	

L . Thread trimmer mechanism / Fadenabschneidevorrichtung
 / Mécanisme de coupe-fil / Mecanismo de la cortadura de hiros

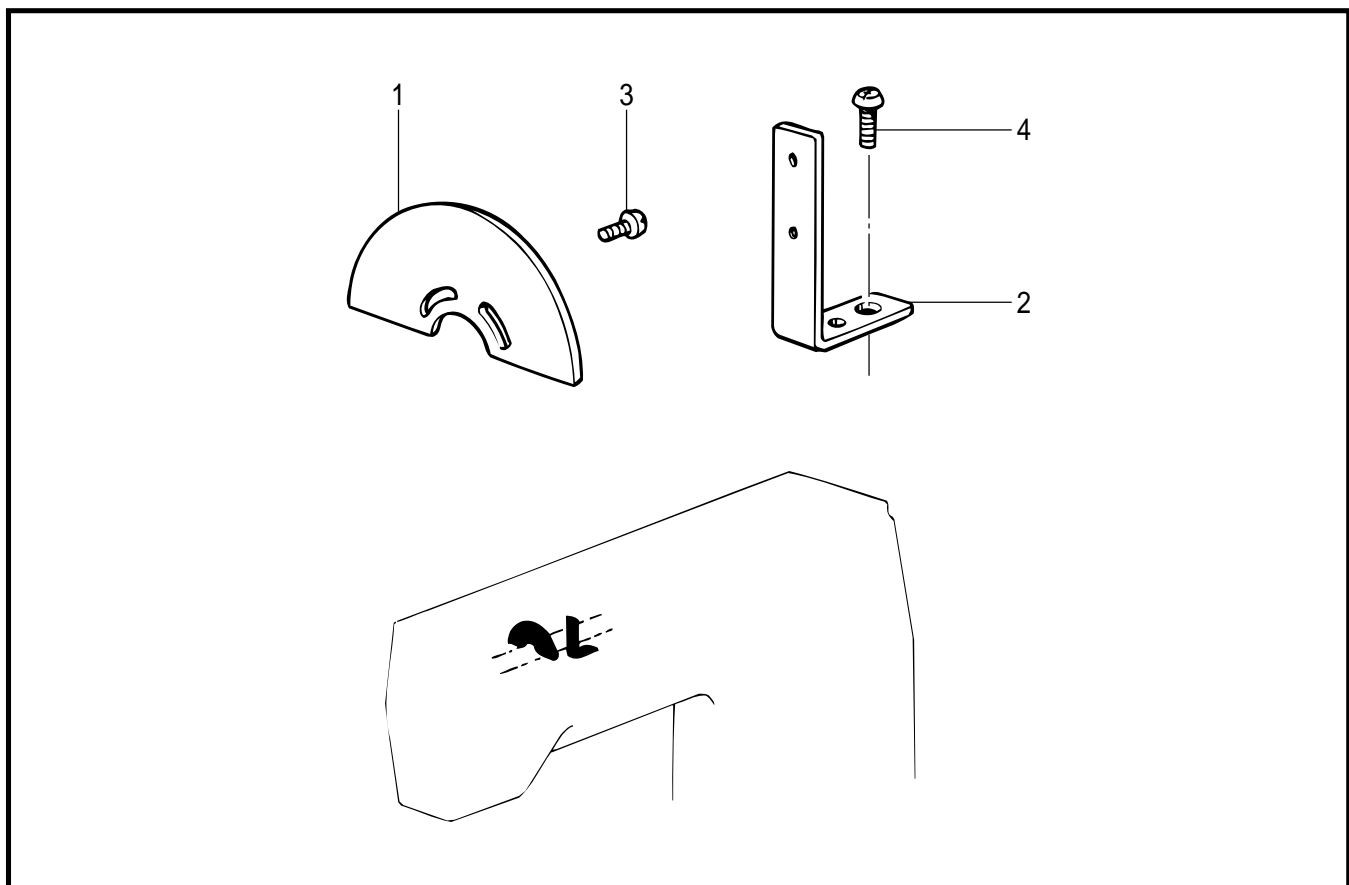
REF.NO.	CODE	Q'TY	NAME OF PARTS	RM
46	S10208003	1	WASHER, MOVABLE KNIFE T=0.6 <t=0.6>	
47	S00705001	1	MOVABLE KNIFE COLLAR	
48	S10209101	1	SCREW, SM4.37	
49	S41738001	1	FIXED KNIFE	
50	111140002	2	SCREW, SM2.38	
51	100032004	2	SCREW, FLAT SM4.37	
52	S11244001	2	SCREW, SM4.37	
53	S10212101	1	NEEDLE HOLE PLATE, E	
54	100360003	2	SCREW, FLAT SM2.38	
55	228475000	1	FASTENING BAND, 1.9X80	

M . Thread nipper mechanism / Fadenspannvorrichtung / Mécanisme de pince-fil / Mecanismo de la mordaza para hilo



151-705-406

N . Synchronizer / Synchronisator / Synchronisateur / Sincronizador



118-705-501

M . Thread mipper mechanism / Fadenspannvorrichtung / Mécanisme de pince-fil
/ Mecanismo de la mordaza para hilo

REF.NO.	CODE	Q'TY	NAME OF PARTS	RM
1	S41874000	1	CYLINDER ASSY	
2	S41877001	1	THREAD RELEASE CYLINDER PLATE	
3	018501436	2	BOLT, SOCKET M5X14	
4	028050246	2	WASHER, SPRING 2-5	
5	025050236	2	WASHER, PLAIN M 5	
6	S41878001	1	THREAD RELEASE BASE	
7	018501636	2	BOLT, SOCKET M5X16	
8	S11440004	1	AIR TUBE, 4 (L=1750)	

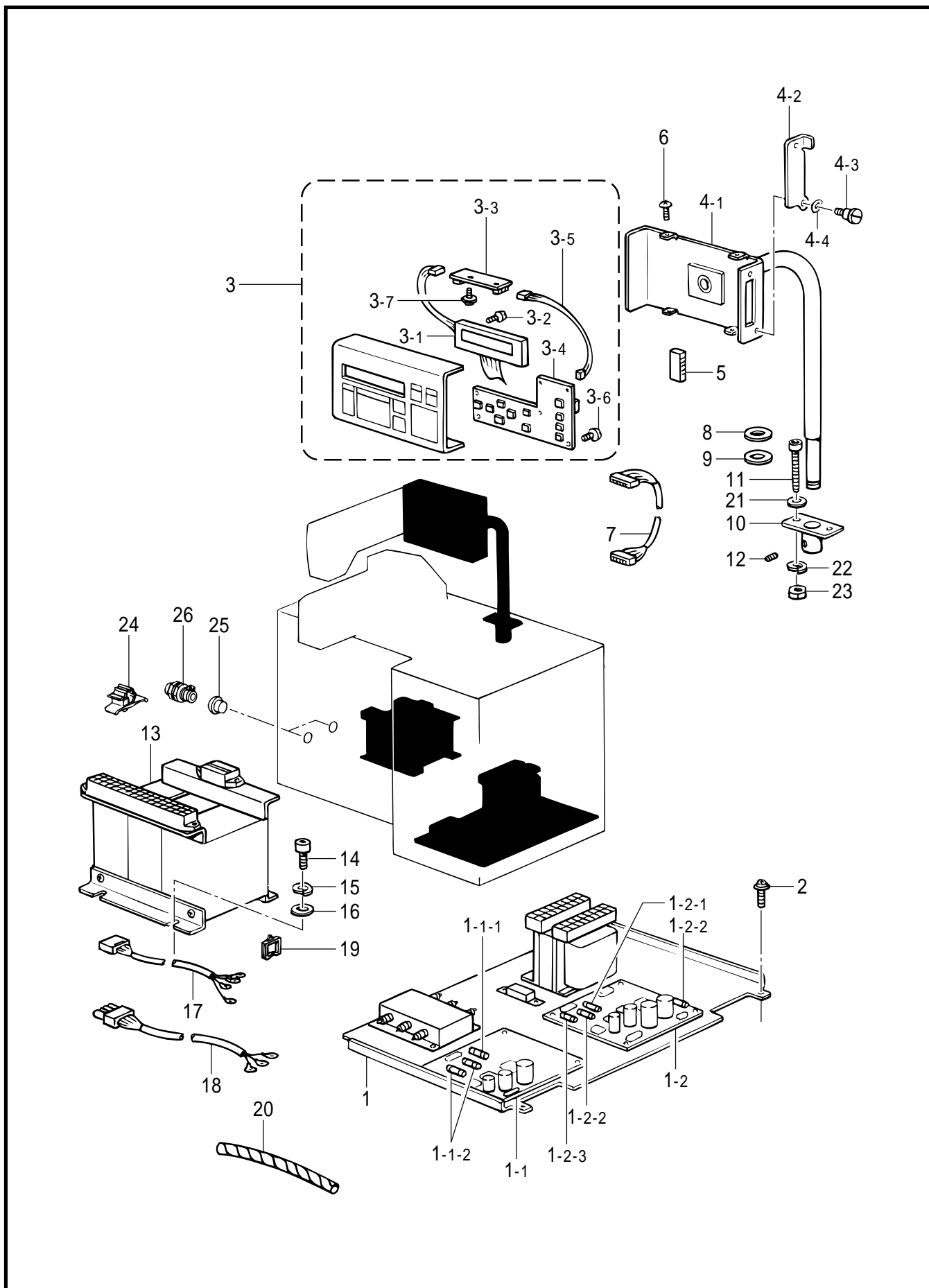
151-705-406

N . Synchronizer / Synchronisator / Synchronisateur / Sincronizador

REF.NO.	CODE	Q'TY	NAME OF PARTS	RM
1	S41741000	1	DIRCTION SENSOR PLATE	
2	S41742000	1	UPPER SHAFT SENSOR PLATE	
3	062300512	2	SCREW, PAN M3X5	
4	062680812	1	SCREW, PAN SM4.37-40X8	

118-705-501

P . Control box mechanism / Schaltkasten / Mécanisme du boîtier de contrôle / Mecanismo de la caja de controles

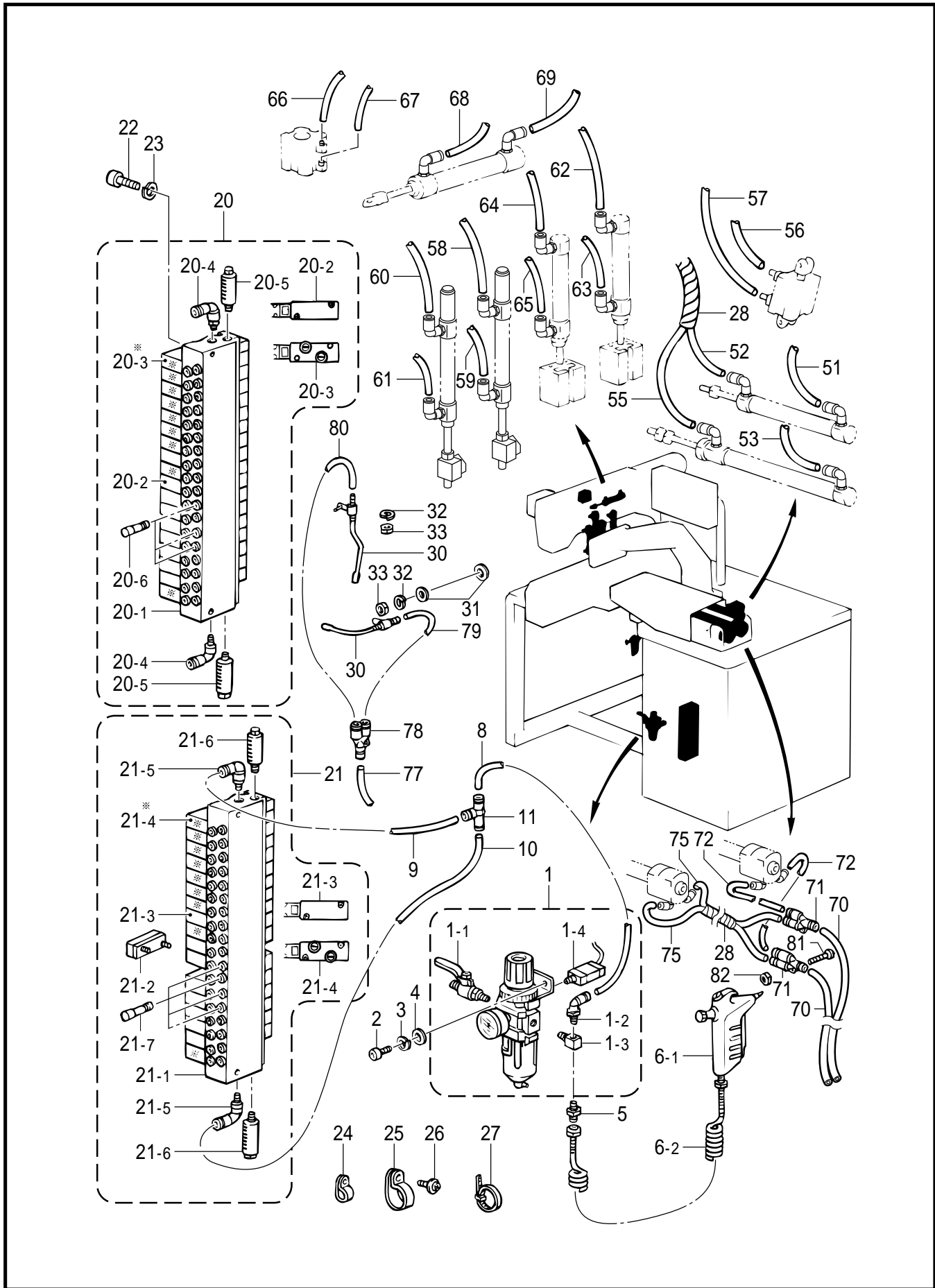


P . Control box mechanism / Schaltkasten

/ Mécanisme du boîtier de contrôle / Mecanismo de la caja de controles

REF.NO.	CODE	Q'TY	NAME OF PARTS	RM
1	S40438001	1	POWER SUPPLY UNIT ASSY	
1-1	S40439001	1	POWER CIRCUIT BOARD ASSY, A	
1-1-1	215769001	1	FUSE, 3A	
1-1-2	152566000	2	FUSE, C 2A	
1-2	S40440001	1	POWER CIRCUIT BOARD ASSY, B	
1-2-1	153242000	1	FUSE, 6A	
1-2-2	157219000	2	FUSE, 5A	
1-2-3	152566000	1	FUSE, C 2A	
2	0A5400806	4	SCREW, PAN (S/P WASHER) M4X8	
3	S40445009	1	CONTROL BOX COVER ASSY	
3-1	S40447000	1	LCD MODULE	
3-2	S46833001	4	SCREW, PAN M1.6	
3-3	S40448000	1	INVERTER	
3-4	S40511001	1	PANEL PCB ASSY	
3-5	S40455000	1	INVERTER HARNESS, PANEL	
3-6	0A5300605	6	SCREW, PAN (S/P WASHER) M3X6	
3-7	0A5301005	3	SCREW, PAN (S/P WASHER) M3X10	
4	S40451009	1	STAND ASSY, OPERATION BOX	
4-1	S40452009	1	STAND, OPERATION BOX	
4-2	S40499009	1	SIDE COVER, PANEL	
4-3	107321003	1	SHOULDER SCREW, SM4.76	
4-4	107017002	1	WASHER, WAVE SPRING 6.45	
5	S40453000	1	<For Japanese & English version> PROM ASSY, 705 PANEL	
6	008400604	4	SCREW, TRUSS M4X6	
7	S40454000	1	PANEL HARNESS	
8	S10409002	1	WASHER	
9	S10408000	1	RUBBER SHEET	
10	S15056001	1	BOX HOLDER	
11	018065036	2	BOLT, SOCKET M6X50	
12	014760622	1	SET SCREW, SOCKET SM5.95	
13	S40504000	1	<For 3-phase "380V, 400V & 415V"> TRANSFORMER, THREE PHASE 705	
14	018081236	4	BOLT, SOCKET M8X12	
15	028080246	4	WASHER, SPRING 2-8	
16	025080236	4	WASHER, PLAIN M 8	
17	S40505000	1	POWER SUPPLY HARNESS, HA	
18	S41969000	1	POWER SUPPLY HARNESS, HB	
19	S41964000	1	BUSH	
20	S11763000	1	SPIRAL, 100S	
24	150357001	2	CORD CLAMP, 13-L	
26	152510000	2	CORD BUSH	
21	025060336	2	WASHER, PLAIN L 6	
22	028060246	2	WASHER, SPRING 2-6	
23	021060206	2	NUT, 2 M6	
25	140392009	2	OIL CAP	
			" OPTION PARTS "	
			<For English & Portuguese version>	
5	S45730000	1	PROM ASSY, P 705 PANEL	
			<For English & Turkish version>	
5	S45731000	1	PROM ASSY, T 705 PANEL	
			<For English & Spanish version>	
5	S45732000	1	PROM ASSY, S 705 PANEL	
			<For English & French version>	
5	S45733000	1	PROM ASSY, F 705 PANEL	

Q . Air pressure mechanism / Luftdruck / Mécanisme de la pression d'air
 / Mecanismo de la presión de aire



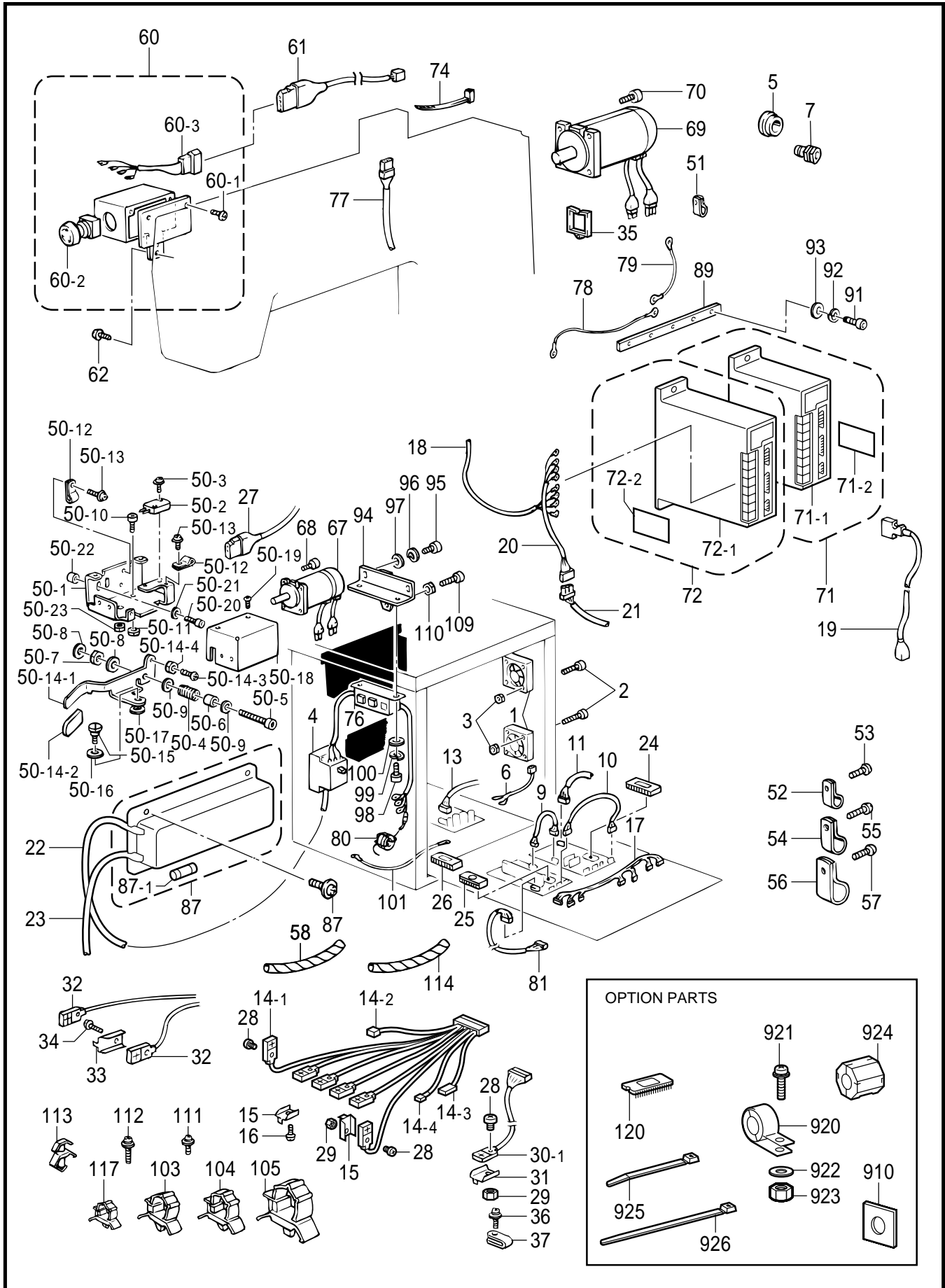
Q . Air pressure mechanism / Luftdruck / Mécanisme de la pression d'air
/ Mecanismo de la presión de aire

REF.NO.	CODE	Q'TY	NAME OF PARTS	RM
1	S41641000	1	FILTER REGULATOR ASSY	
1-1	S09231000	1	BALL VALVE, 1/4	
1-2	S31169000	1	ELBOW UNION, 8	
1-3	153252000	1	PT-JOINT	
1-4	S17028000	1	PRESSURE SWITCH	
2	018061222	2	BOLT, SOCKET M6X12	
3	028060242	2	WASHER, SPRING 2-6	
4	025060232	2	WASHER, PLAIN M 6	
5	S04891000	1	MIDDLE NIPPLE, 1/4	
6	S06857000	1	AIR GUN ASSY	
6-1	S06858000	1	AIR GUN	
6-2	S06859000	1	CURL TUBE	
8	S31764000	1	AIR TUBE, 8 (L=280)	
9	S39113000	1	AIR TUBE, 0806S (L=300)	
10	S41637000	1	AIR TUBE, 0806S (L=240)	
11	S31170000	1	T-JOINT, 8	
			<For Belt feed device>	
20	S41632000	1	VALVE UNIT ASSY, 18	
20-1	S41633000	1	MANIFOLD, 18	
20-2	S39115000	9	VALVE, VQZ1151-5	
20-3	S39116000	9	VALVE, VQZ1151S-5	
20-4	S14159000	2	ELBOW, 1/8-8	
20-5	140682001	2	SILENCER	
20-6	S04897000	3	PLUG, 4	
21	S41631000	1	VALVE UNIT ASSY, 17	
21-1	S41633000	1	MANIFOLD, 18	
21-2	S41634000	1	BLANKING PLATE	
21-3	S39115000	8	VALVE, VQZ1151-5	
21-4	S39116000	9	VALVE, VQZ1151S-5	
21-5	S14159000	2	ELBOW, 1/8-8	
21-6	140682001	2	SILENCER	
21-7	S04897000	4	PLUG, 4	
22	018503036	2	BOLT, SOCKET M5X30	
23	028050246	2	WASHER, SPRING 2-5	
25	554482000	1	CORD HOLDER, 12N	
26	0A5401006	1	SCREW, PAN (S/P WASHER) M4X10	
27	S04557000	20	BAND, PLTIM	
28	S11763000	2	SPIRAL, 100S	
30	S23747001	2	AIR BLOWER ASSY	
31	025050236	2	WASHER, PLAIN M 5	
32	028050246	2	WASHER, SPRING 2-5	
33	021500106	2	NUT, 1 M5	
51	S41938000	1	AIR TUBE, 0425S (L=1050)	
52	S41938000	1	AIR TUBE, 0425S (L=1050)	
53	S41939000	1	AIR TUBE, 0425S (L=1120)	
55	S41636000	1	AIR TUBE, 0425S (L=1000)	
56	S08176000	1	AIR TUBE, 4-O (L=980)	
57	S08176000	1	AIR TUBE, 4-O (L=980)	
58	S41943000	1	AIR TUBE, 0425S (L=1450)	
59	S31706000	1	AIR TUBE, 4X1510	
60	S41943000	1	AIR TUBE, 0425S (L=1450)	
61	S31706000	1	AIR TUBE, 4X1510	
62	S41941000	1	AIR TUBE, 0425S (L=1370)	
63	S41943000	1	AIR TUBE, 0425S (L=1450)	
64	S41941000	1	AIR TUBE, 0425S (L=1370)	

Q . Air pressure mechanism / Luftdruck / Mécanisme de la pression d'air
 / Mecanismo de la presión de aire

REF.NO.	CODE	Q'TY	NAME OF PARTS	RM
65	S31706000	1	AIR TUBE, 4X1510	
66	S41940000	1	AIR TUBE, 0425S (L=1240)	
67	S41940000	1	AIR TUBE, 0425S (L=1240)	
68	S41938000	1	AIR TUBE, 0425S (L=1050)	
69	S41939000	1	AIR TUBE, 0425S (L=1120)	
70	S14085008	2	AIR TUBE, 4X1160	
71	S19557000	2	MINIATURE UNION, Y4	
72	S41916000	2	AIR TUBE, 4 (L=220)	
75	S15031002	2	AIR TUBE, (L=240)	
77	S33870001	1	AIR TUBE, 4 (L=840) BLACK	
78	S19557000	1	MINIATURE UNION, Y4	
79	S41935000	1	AIR TUBE, 0425S (L=350)	
80	S41937000	1	AIR TUBE, 0425S (L=600)	
81	062302506	1	SCREW, PAN M3X25	
82	021300206	1	NUT, 2 M3	

R1 . Power supply equipment mechanism / Stromversorgung
 / Mécanisme de l'équipement en alimentation électrique
 / Mecanismo del equipo de alimentación de corriente



R1 . Power supply equipment mechanism / Stromversorgung
 / Mécanisme de l'équipement en alimentation électrique
 / Mecanismo del equipo de alimentación de corriente

REF.NO.	CODE	Q'TY	NAME OF PARTS	RM
1	S16566000	2	COOLING FAN	
2	S32294001	8	BOLT, SOCKET M4X35	
3	021400206	8	NUT, 2 M4	
4	S38819000	1	BREAKER, EA33/5	
5	S38820000	2	BUSHING, 35	
6	S10333000	2	FAN CORD	
7	152510000	1	CORD BUSH	
9	S40456000	1	RS-XY HARNESS	
10	S40457000	1	SYNCHRONIZER HARNESS	
11	S40458000	2	ACDR HARNESS	
13	S40460000	1	VALVE HARNESS ASSY	
14	S40461000	1	SENSOR ASSY	
14-1	S40462000	6	SENSOR, GL-12L	
14-2	S40500000	1	SET SENSOR HARNESS	
14-3	S41961000	1	PRESSURE SWITCH HARNESS	
14-4	S41963000	1	SWITCH HARNESS, LOOP FOLD	
15	S46476001	6	SENSOR BRACKET	
16	062301006	4	SCREW, PAN M3X10	
17	S40464000	1	POWER SUPPLY HARNESS, MA	
18	S40467000	2	ACDR-POWER SUPPLY HARNESS	
19	S40468000	2	ACDR-SIGNAL HARNESS	
21	S41972000	2	ACDR-POWER SUPPLY HARNESS, B	
22	S40510000	1	POWER SUPPLY HARNESS, FDF	
23	S41967000	1	POWER SUPPLY HARNESS, FA	
24	S40469000	1	PROM MAIN ASSY	
25	S40470000	1	PROM, XY1	
26	S40471000	1	PROM, XY2	
27	S40472000	1	START SWITCH HARNESS	
28	002301203	3	SCREW, PAN M3X12	
29	021300206	7	NUT, 2 M3	
30	S43402000	1	SENSOR ASSY	
30-1	S40462000	1	SENSOR, GL-12L	
31	S46476001	1	SENSOR BRACKET	
32	S40463000	2	SENSOR, GL-12L-A	
33	S46476001	1	SENSOR BRACKET	
34	062300806	1	SCREW, PAN M3X8	
35	S41964000	1	BUSH	
36	0A5400806	1	SCREW, PAN (S/P WASHER) M4X8	
37	625010000	1	CORD HOLDER, NK-2N	
50	S40485001	1	HAND START SWITCH ASSY	
50-1	S40449001	1	SWITCH BASE	
50-2	S20871001	1	HAND SWITCH ASSY	
50-3	0A5301405	2	SCREW, PAN (S/P WASHER) M3X14	
50-4	S40491001	1	SPRING, SWITCH	
50-5	018404036	1	BOLT, SOCKET M4X40	
50-6	154514001	1	SPACER	
50-7	021400216	1	NUT, 2 M4	
50-8	025040236	2	WASHER, PLAIN M 4	
50-9	102707002	2	WASHER, PLAIN 4	
50-10	018400636	1	BOLT, SOCKET M4X6	
50-11	021400216	1	NUT, 2 M4	
50-12	S10243000	2	CORD HOLDER, NK-3N	
50-13	060300612	2	SCREW, BIND M3X6	
50-14	S40492001	1	SWITCH LEVER ASSY	
50-14-1	S40493001	1	SWITCH LEVER	
50-14-2	S40494000	1	SWITCH CAP	
50-14-3	062301005	1	SCREW, PAN M3X10	
50-14-4	021300303	1	NUT, 3 M3	

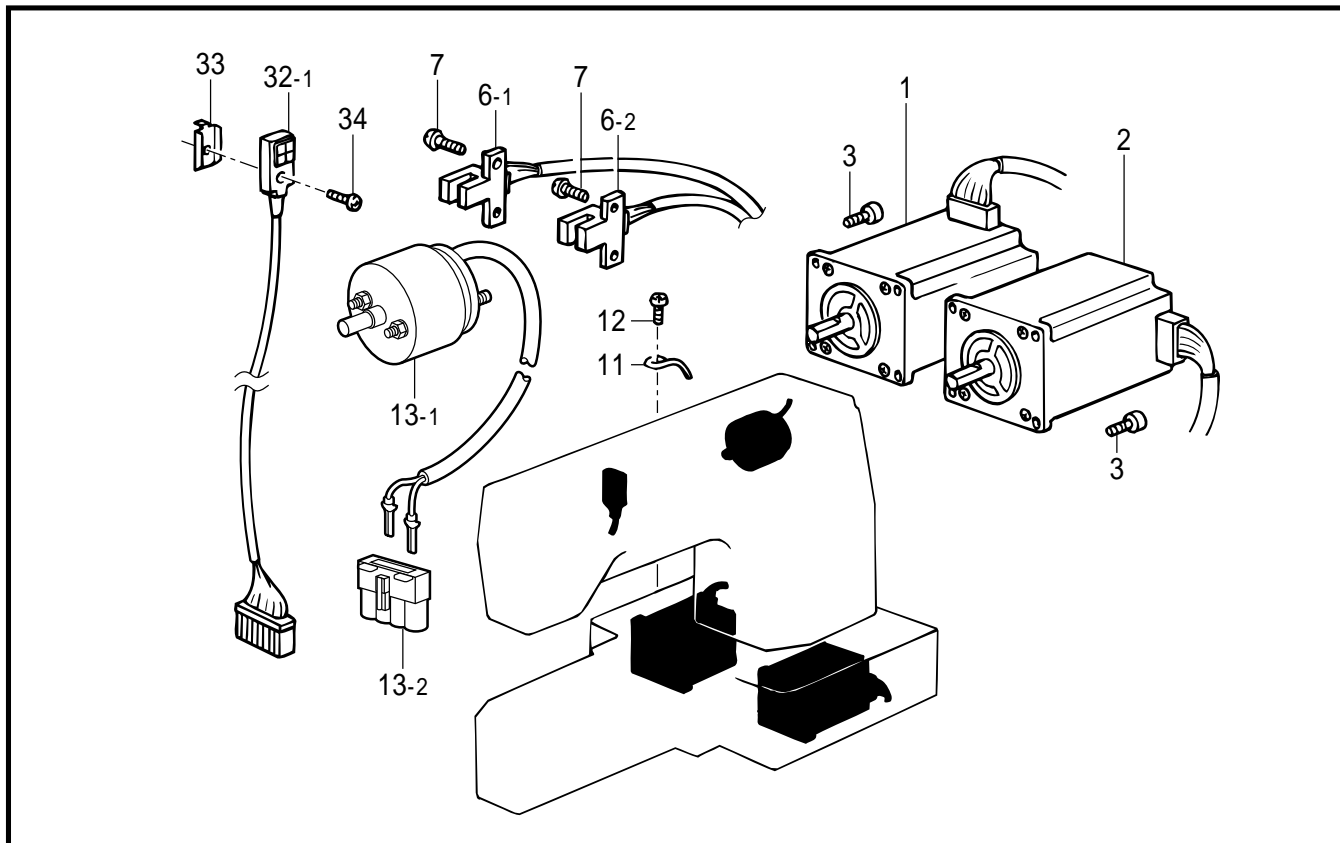
R1 . Power supply equipment mechanism / Stromversorgung
 / Mécanisme de l'équipement en alimentation électrique
 / Mecanismo del equipo de alimentación de corriente

REF.NO.	CODE	Q'TY	NAME OF PARTS	RM
50-15	S07370102	1	SHOULDER SCREW, SM5.95	
50-16	153113001	1	THRUST WASHER	
50-17	S03695001	1	WASHER, PLAIN 6	
50-18	S40495001	1	SWITCH COVER	
50-19	008300604	6	SCREW, TRUSS M3X6	
50-20	018502036	2	BOLT, SOCKET M5X20	
50-21	025050236	2	WASHER, PLAIN M 5	
50-22	152863001	2	CUSHION COLLAR	
50-23	106588003	1	NUT, SM5.95	
51	149547000	1	CORD HOLDER, 4N	
52	S00480000	2	CORD HOLDER, 5N	
53	052400806	2	SCREW, PAN (S/P WASHER) M4X8	
54	525567000	1	CORD HOLDER, 8N	
55	052400806	1	SCREW, PAN (S/P WASHER) M4X8	
56	554482000	1	CORD HOLDER, 12N	
57	052400806	1	SCREW, PAN (S/P WASHER) M4X8	
58	S11763000	1	SPIRAL TUBE, 100S	
60	S40513009	1	EM-LOCK SWITCH ASSY	
60-1	008300604	2	SCREW, TRUSS M3X6	
60-2	S32335000	1	SWITCH, AVS311N	
60-3	S40473000	1	EM-LOCK SWITCH HARNESS	
61	S40474000	1	EM-SWITCH HARNESS	
62	062710812	2	SCREW, PAN SM4.76-32X8	
63	S10243000	2	CORD HOLDER, NK-3N	
64	062670612	2	SCREW, PAN SM3.57-40X6	
65	025350236	2	WASHER, PLAIN M 3.5	
67	S40475000	1	AC-SERVO MOTOR, 100	
68	018301236	4	BOLT, SOCKET M3X12	
69	S40476000	1	AC-SERVO MOTOR, 750	
70	018501636	4	BOLT, SOCKET M5X16	
71	S44823001	1	AC-SERVO ASSY, LOWER	
71-1	S44832001	1	LABEL, SERVO DR 705 (LOWER)	
72	S44822001	1	AC-SERVO ASSY, UPPER	
72-1	S44831001	1	LABEL, SERVO DR 705 (UPPER)	
74	S04557000	20	BAND, PLTIM	
76	S40486000	1	POWER SUPPLY SWITCH ASSY	
77	S40509000	1	BOBBIN WINDER HARNESS	
78	S11733000	2	GROUND WIRE, 1700	
79	S38145000	1	GROUND WIRE, 2	
80	S40497000	1	GROUND INDUCTOR	
81	S40481000	1	EXTENDED HARNESS, THR. TRIMMER	
87	S40503000	1	BOX ASSY, EMC	
87-1	J02469001	3	GLASS FUSE, 10A250V	
88	0A5401006	4	SCREW, PAN (S/P WASHER) M4X10	
89	S41965001	2	DRIVER SUPPORT PLATE	
91	018401236	10	BOLT, SOCKET M4X12	
92	028040246	10	WASHER, SPRING 2-4	
93	025040236	10	WASHER, PLAIN M 4	
94	S41889001	1	SWITCH SETTING PLATE	
95	018400836	2	BOLT, SOCKET M4X8	
96	028040246	2	WASHER, SPRING 2-4	
97	025040236	2	WASHER, PLAIN M 4	
98	018400836	2	BOLT, SOCKET M4X8	
99	028040246	2	WASHER, SPRING 2-4	
100	025040236	2	WASHER, PLAIN M 4	
101	157270101	2	GROUND WIRE ASSY, D	
103	S09142000	24	CORD CLAMP, 20-L	
104	S31760000	8	CORD CLAMP, 26L	

R1 . Power supply equipment mechanism / Stromversorgung
 / Mécanisme de l'équipement en alimentation électrique
 / Mecanismo del equipo de alimentación de corriente

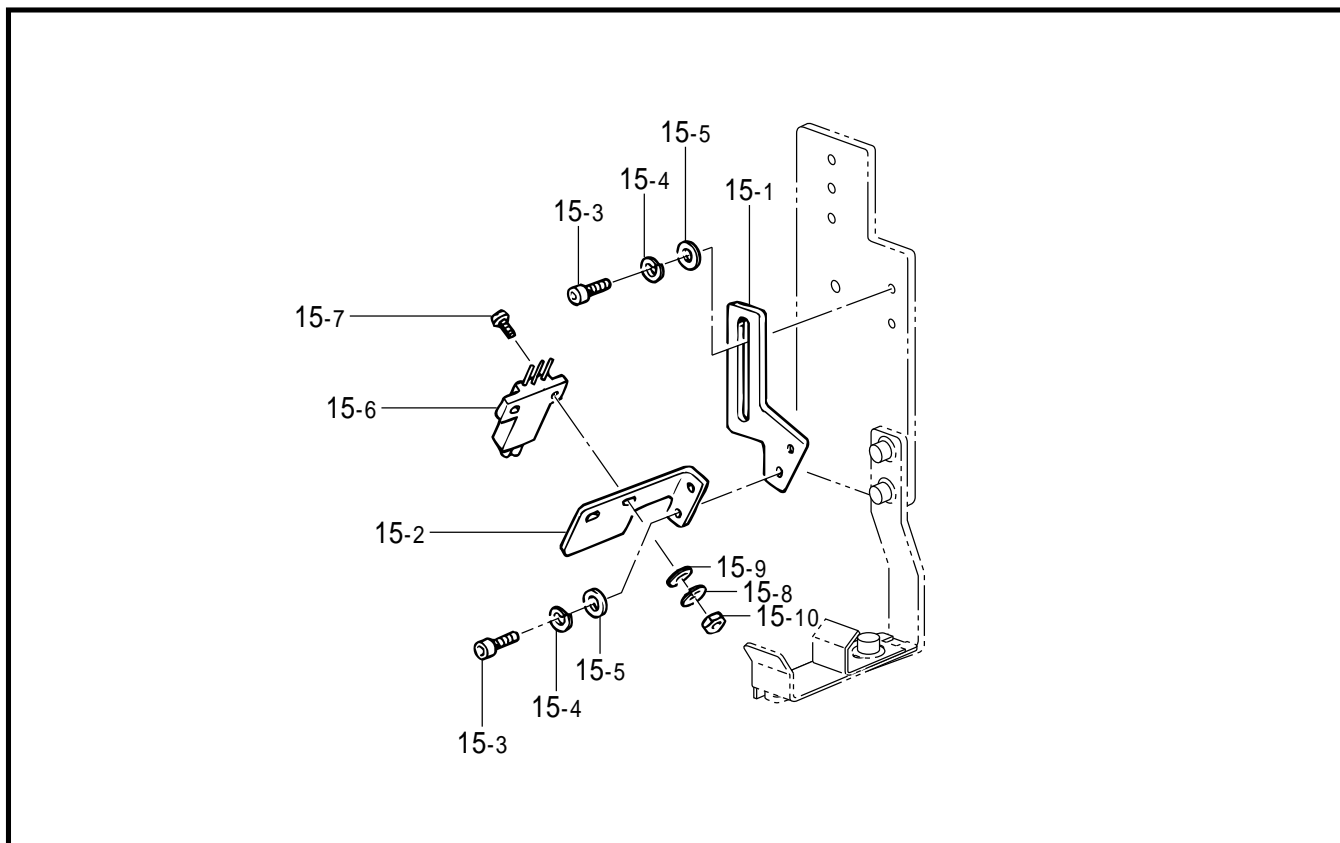
REF.NO.	CODE	Q'TY	NAME OF PARTS	RM
105	S17024000	5	CORD CLAMP, 20-H	
109	018402036	1	BOLT, SOCKET M4X20	
110	021400206	1	NUT, 2 M4	
111	052400606	2	SCREW, PAN (S/P WASHER) M4X6	
112	052401605	1	SCREW, PAN (S/P WASHER) M4X16	
113	S00554000	12	SUPPORT, 6NS	
114	S11763000	1	SPIRAL TUBE, 100S	
115	228475000	1	FASTENING BAND, 1.9X80	
117	150349001	1	CORD CLAMP, 10-L	
			" OPTION PARTS "	
120	S46502000	1	PROM ASSY, I/O CHECK 705	
910	S37057001	1	EM SWITCH SPACER, 3	
920	S40623000	4	EMI CORE, TR-40-27	
921	0A5401605	4	SCREW, PAN (S/P WASHER) M4X16	
922	025040236	4	WASHER, PLAIN M 4	
923	021400106	4	NUT, 1 M4	
924	S40622000	4	EMI CORE, ESD-SR-25	
925	S04557000	2	BAND, PLTIM	
926	149809000	1	BEAD BAND, L	

R2 . Power supply equipmet mechanism / Stromversorgung
 / Mécanisme de l'équipement en alimentation électrique
 / Mecanismo del equipo de alimentación de corriente



118-705-515

S . Attachment set (Option parts)
 / Anbausatz (Sonderzubehön) / Jeu d'accessoires (Pièces en option)
 / Juego de fijación (Piezas opcionales)



151-705-940

R2 . Power supply equipment mechanism / Stromversorgung
 / Mécanisme de l'équipement en alimentation électrique
 / Mecanismo del equipo de alimentación de corriente

REF.NO.	CODE	Q'TY	NAME OF PARTS	RM
1	S41975000	1	PULSE MOTOR ASSY, X	
2	S41976000	1	PULSE MOTOR ASSY, Y	
3	018401222	8	BOLT, SOCKET M4X12	
5	0A5401006	2	SCREW, PAN (S/P WASHER) M4X10	
6	S40431000	1	HEAD SENSOR ASSY	
6-1	S40432000	1	HOME POSITION SENSOR HARNESS, X	
6-2	S40433000	1	HOME POSITION SENSOR HARNESS, Y	
7	0A4300605	4	SCREW, PAN (S/P WASHER) M3X6	
11	117150001	2	CORD SUPPORT	
12	062670512	2	SCREW, PAN SM3.57-40X5	
13-1	S38144100	1	THREAD TRIMMER SOLENOID ASSY	
13-2	S38146000	1	CONNECTOR, 3191-04R	
32	S40435000	1	SENSOR ASSY	
32-1	S40436000	1	SENSOR, GL-12L	
33	S40437000	1	SENSOR BRACKET	
34	062300806	3	SCREW, PAN M3X8	

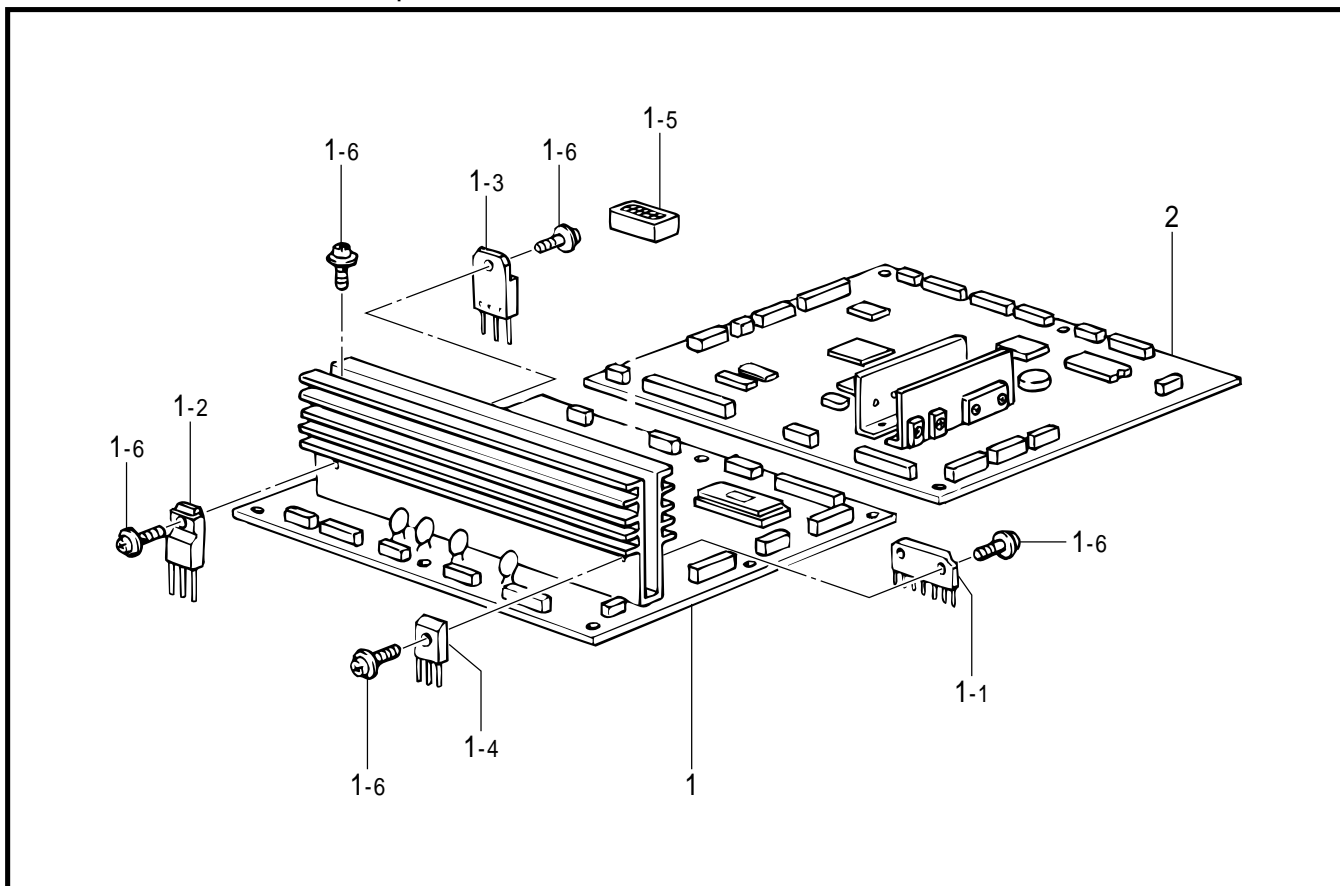
118-705-515

S . Attachment set (Option parts) / Anbausatz (Sonderzubehön)
 / Jeu d'accessoires (Pièces en option) / Juego de fijación (Piezas opcionales)

REF.NO.	CODE	Q'TY	NAME OF PARTS	RM
			<For loop setting detector>	
15	S41959001	1	LOOP SET SENSOR ASSY	
15-1	S41628001	1	SENSOR SUPPORT PLATE, 1	
15-2	S41629001	1	SENSOR SUPPORT PLATE, 2	
15-3	018400636	4	BOLT, SOCKET M4X6	
15-4	028040246	4	WASHER, SPRING 2-4	
15-5	025040236	4	WASHER, PLAIN M 4	
15-6	S31930000	1	FLAP SENSOR	
15-7	062301006	2	SCREW, PAN M3X10	
15-8	028030246	2	WASHER, SPRING 2-3	
15-9	025030236	2	WASHER, PLAIN M 3	
15-10	021300206	2	NUT, 2 M3	

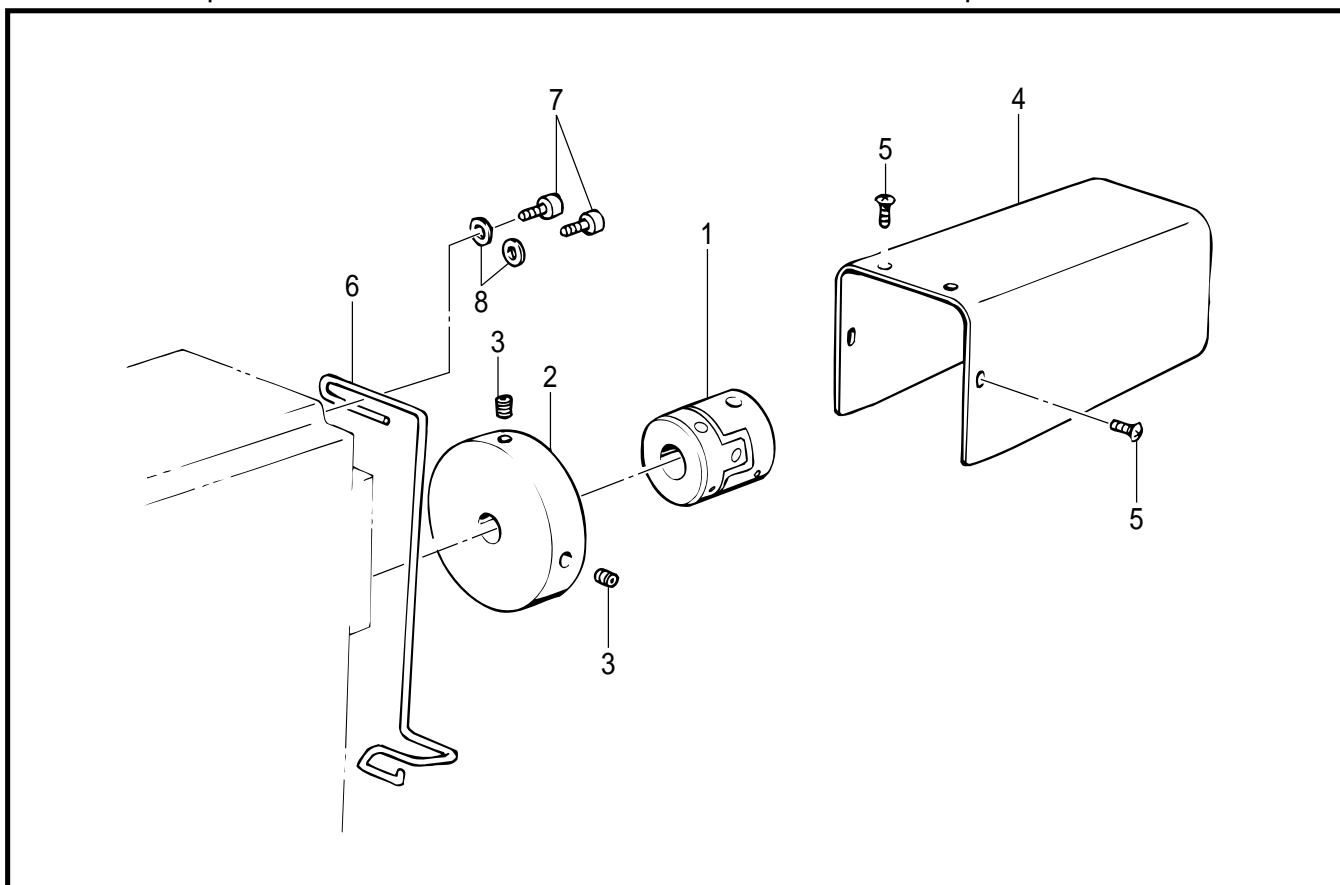
151-705-940

T . Printed circuit board mechanism / Leiterplatten / Circuits imprimés
/ Tableros de circuitos impresos



151-705-518

U . Machine head parts / Teile des maschinenberteils
/ Pièces supérieures de la machine / Piezas de la cabeza de la máquina



151-705-601

T . Printed circuit board mechanism / Leiterplatten / Circuits imprimés
/ Tableros de circuitos impresos

REF.NO.	CODE	Q'TY	NAME OF PARTS	RM
			<For Prited circuit board for "X-Y feeding">	
1	S38151001	1	MAIN PCB ASSY	
1-1	S38154000	4	BIP IC, SLA4390	
1-2	S38155000	3	MOS FET, 2SK1306	
1-3	S38164000	6	MOSFET2SK1937	
1-4	S33849000	8	FRD ARRAY D8LD20U	
1-5	U32744000	1	DIP SWITCH:DSS708	
1-6	0A4301005	27	SCREW, PAN (S/P WASHER) M3X10	
			<For Main printed circuit board>	
2	S40489101	1	MAIN PCB ASSY	

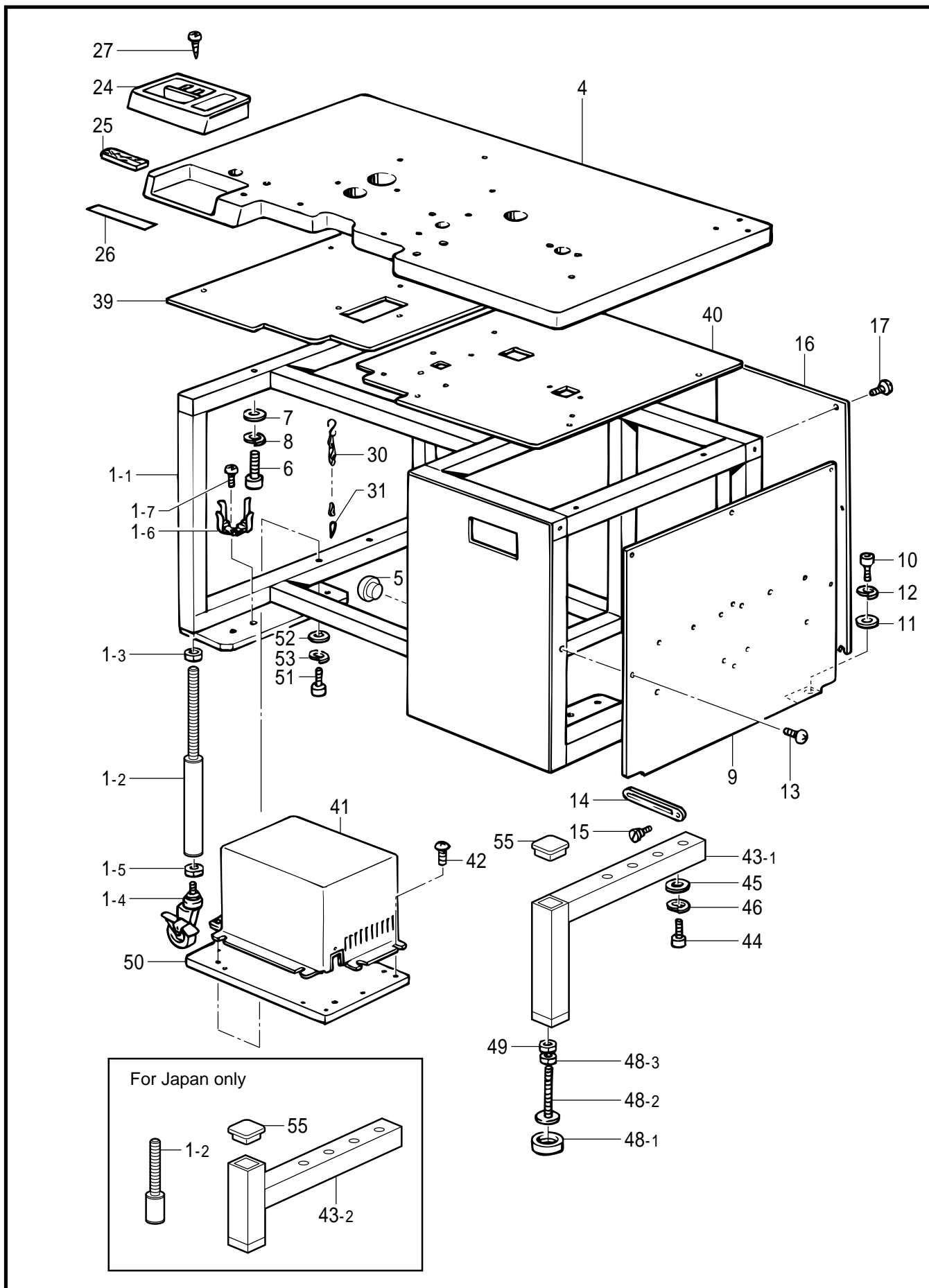
151-705-518

U . Machine head parts / Teile des maschinenberteils
/ Pièces supérieures de la machine / Piezas de la cabeza de la máquina

REF.NO.	CODE	Q'TY	NAME OF PARTS	RM
1	S41881000	1	COUPRING, 19	
2	S41882001	1	HAND PULLEY	
3	012060636	2	SET SCREW, SOCKET (FT) M6X6	
4	S41883009	1	UPPER SHAFT MOTOR COVER	
5	008400604	4	SCREW, TRUSS M4X6	
6	S41884001	1	LOOP GUIDE	
7	018401222	2	BOLT, SOCKET M4X12	
8	146354001	2	WASHER, PLAIN 5	

151-705-601

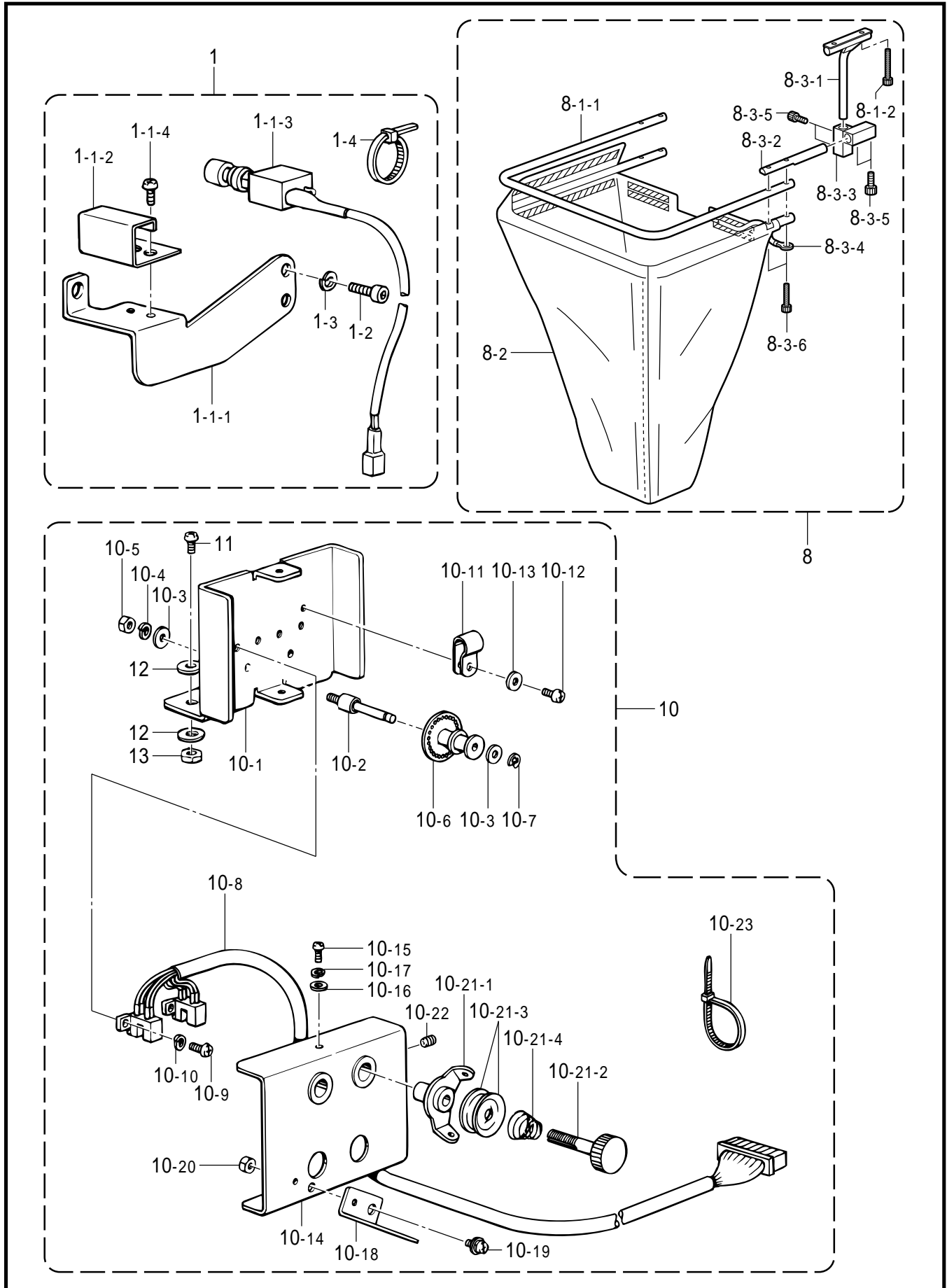
V . Power table / Motorgestell / Mécanisme du plateau de la machine
 / Mecanismo de la mesa de la máquina



V . Power table / Motorgestell / Mécanisme du plateau de la machine
/ Mecanismo de la mesa de la máquina

REF.NO.	CODE	Q'TY	NAME OF PARTS	RM
1	S41885009	1	<For Export> STAND FRAME ASSY, I	
1-2	S41894001	4	ADJUSTTING SCREW, L	
1	S41886009	1	<For Japan only> -----	
1-2	S41893001	4	-----	
1-1	S41887009	1	STAND FRAME	
1-3	021200203	4	NUT, 2 M20	
1-4	152393200	4	CASTER	
1-5	021160303	4	NUT, 3 M16	
1-6	133172003	1	OIL BRACKET	
1-7	062501006	1	SCREW, PAN M5X10	
4	S41888009	1	TABLE, 705	
5	159150009	2	RUBBER CAP, 20.5	
6	018082036	6	BOLT, SOCKET M8X20	
7	025080236	6	WASHER, PLAIN M 8	
8	028080246	6	WASHER, SPRING 2-8	
9	S41890009	1	FRAME SIDE COVER	
10	018400836	6	BOLT, SOCKET M4X8	
11	025040236	6	WASHER, PLAIN M 4	
12	028040246	6	WASHER, SPRING 2-4	
13	008400604	5	SCREW, TRUSS M4X6	
14	S41891001	2	DOOR STAY	
15	S21306001	4	STUD SCREW 6	
16	S41892009	1	REAR COVER	
17	008400604	6	SCREW, TRUSS M4X6	
24	S15158009	1	ACCESSORY CASE	
25	S02740000	1	FELT	
26	S02739000	1	RUBBER MAGNET TAPE	
27	039411215	2	TAPPING SCREW, TRUSS 1 M4X12	
30	S41895001	1	CHAIN ASSY	
31	S41909000	1	HOOK	
39	S41896000	1	GROUND PLATE, L	
40	S41897000	1	GROUND PLATE, R	
43-1	S41899009	2	<For Export> SUB-STAND, A	
43-2	S41900009	2	<For Japan only> SUB-STAND, B	
44	018081636	4	BOLT, SOCKET M8X16	
45	025080236	4	WASHER, PLAIN M 8	
46	028080246	4	WASHER, SPRING 2-8	
48	S01265001	2	LEVEL ADJUSTER ASSY	
48-1	S01004000	2	RUBBER	
48-2	153769001	2	LEVEL ADJUSTER	
48-3	022120306	2	NUT, 3 M12	
49	022120306	2	NUT, 3 M12	
55	S24194009	2	BEAM END CAP	
41	S41898009	1	<For Export "3-Phase 230V over"> TRANSFORMER COVER, THREE PHASE	
42	008400604	8	SCREW, TRUSS M4X6	
50	S41910009	1	SETTING PLATE, TRANSFORMER	
51	018061036	4	BOLT, SOCKET M6X10	
52	025060236	4	WASHER, PLAIN M 6	
53	028060246	4	WASHER, SPRING 2-6	

W1 . Attachment set (Option parts)
 / Anbausatz (Sonderzubehör) / Jeu d'accessoires (Pièces en option)
 / Juego de fijación (Piezas opcionales)



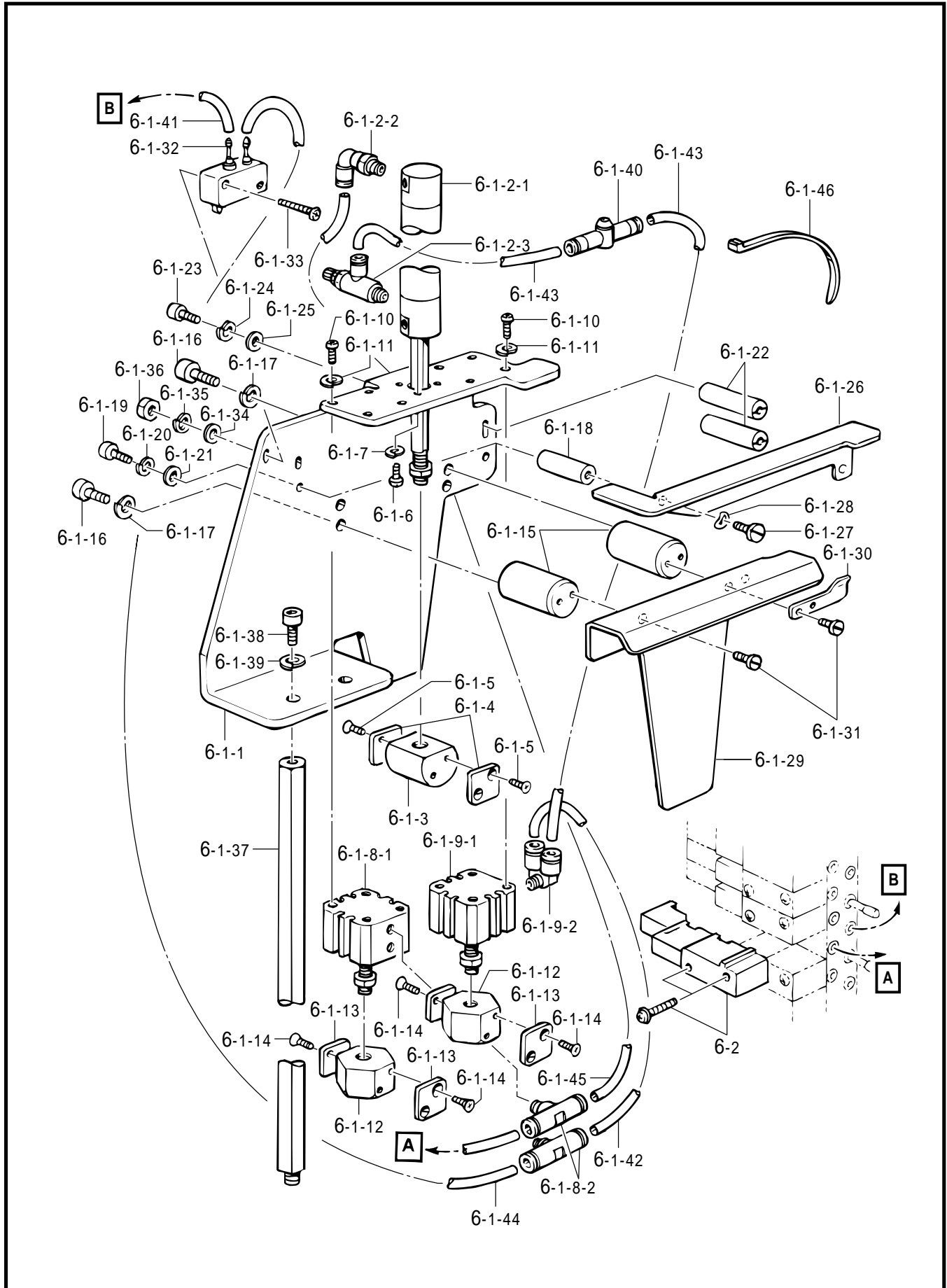
W1 . Attachment set (Option parts)

/ Anbausatz (Sonderzubehör) / Jeu d'accessoires (Pièces en option)

/ Juego de fijación (Piezas opcionales)

REF.NO.	CODE	Q'TY	NAME OF PARTS	RM
			<Hand operation SW for folding the loop>	
1	S41639001	1	HAND SET SWITCH DEVICE	
1-1	S41640001	1	HAND SET SWITCH ASSY	
1-1-1	S41638001	1	HAND SWITCH BASE	
1-1-2	S14972001	1	HAND SWITCH COVER	
1-1-3	S40496000	1	HAND SWITCH ASSY	
1-1-4	008300604	2	SCREW, TRUSS M3X6	
1-2	018400636	2	BOLT, SOCKET M4X6	
1-3	028040246	2	WASHER, SPRING 2-4	
1-4	S04557000	3	BAND, PLTIM	
			<Clipping disposal funnel assembly>	
8	S41776001	1	ADJUSTING C-DISPOSAL DEVICE	
8-1	S41906001	1	CLIPPING DISPOSAL FUNNEL ASSY	
8-1-1	S41907001	2	CLOTH SUPPORT BAR	
8-1-2	018065022	4	BOLT, SOCKET M6X50	
8-2	S41908001	1	CLIPPING DISPOSAL FUNNEL	
8-3	S41744001	1	AJUSTING DEVICE SET	
8-3-1	S41732009	2	VERTICAL BAR	
8-3-2	S41739001	2	BAR	
8-3-3	S41740009	2	ADJUSTING BLOCK	
8-3-4	S41743000	1	CABLE	
8-3-5	018081236	8	BOLT, SOCKET M8X12	
8-3-6	018063036	4	BOLT, SOCKET M6X30	
			<Upper thread breakage detector>	
10	S40520009	1	U-TR. BREAKAGE DETECTOR ASSY	
10-1	S09400009	1	SETTING BRACKET	
10-2	S09401001	2	FULCRUM SHAFT	
10-3	025030233	4	WASHER, PLAIN M 3	
10-4	028030243	2	WASHER, SPRING 2-3	
10-5	021300103	2	NUT, 1 M3	
10-6	S09402101	2	PULLEY	
10-7	048020342	2	RETAINING RING, E2	
10-8	S40519000	1	THREAD BREAKAGE SENSOR ASSY	
10-9	062300616	4	SCREW, PAN M3X6	
10-10	028030243	4	WASHER, SPRING 2-3	
10-11	S00480000	1	CORD HOLDER, 5N	
10-12	062400616	1	SCREW, PAN M4X6	
10-13	025040233	1	WASHER, PLAIN M 4	
10-14	S09403009	1	COVER	
10-15	062300616	2	SCREW, PAN M3X6	
10-16	025030233	2	WASHER, PLAIN M 3	
10-17	028030243	2	WASHER, SPRING 2-3	
10-18	S03566001	1	FACE PLATE THREAD HOOK	
10-19	052400806	1	SCREW, PAN (S/P WASHER) M4X8	
10-20	021400202	1	NUT, 2 M4	
10-21	183377001	2	PRE-TENSION ASSY, A	
10-21-1	S02611001	2	THREAD GUIDE	
10-21-2	S02612001	2	PRE-TENSION STUD	
10-21-3	144504001	2	THREAD GUIDE DISC	
10-21-4	154560001	2	SPRING, PRE-TENSION (A)	
10-22	014500522	2	SET SCREW, SOCKET (CP) M5	
10-23	S04557000	1	BAND, PLTIM	
11	062761212	2	SCREW, PAN SM5.95-28X12	
12	025060232	4	WASHER, PLAIN M 6	
13	100022005	2	NUT, SM5.95	

W2 . Attachment set (Option parts)
 / Anbausatz (Sonderzubehör) / Jeu d'accessoires (Pièces en option)
 / Juego de fijación (Piezas opcionales)

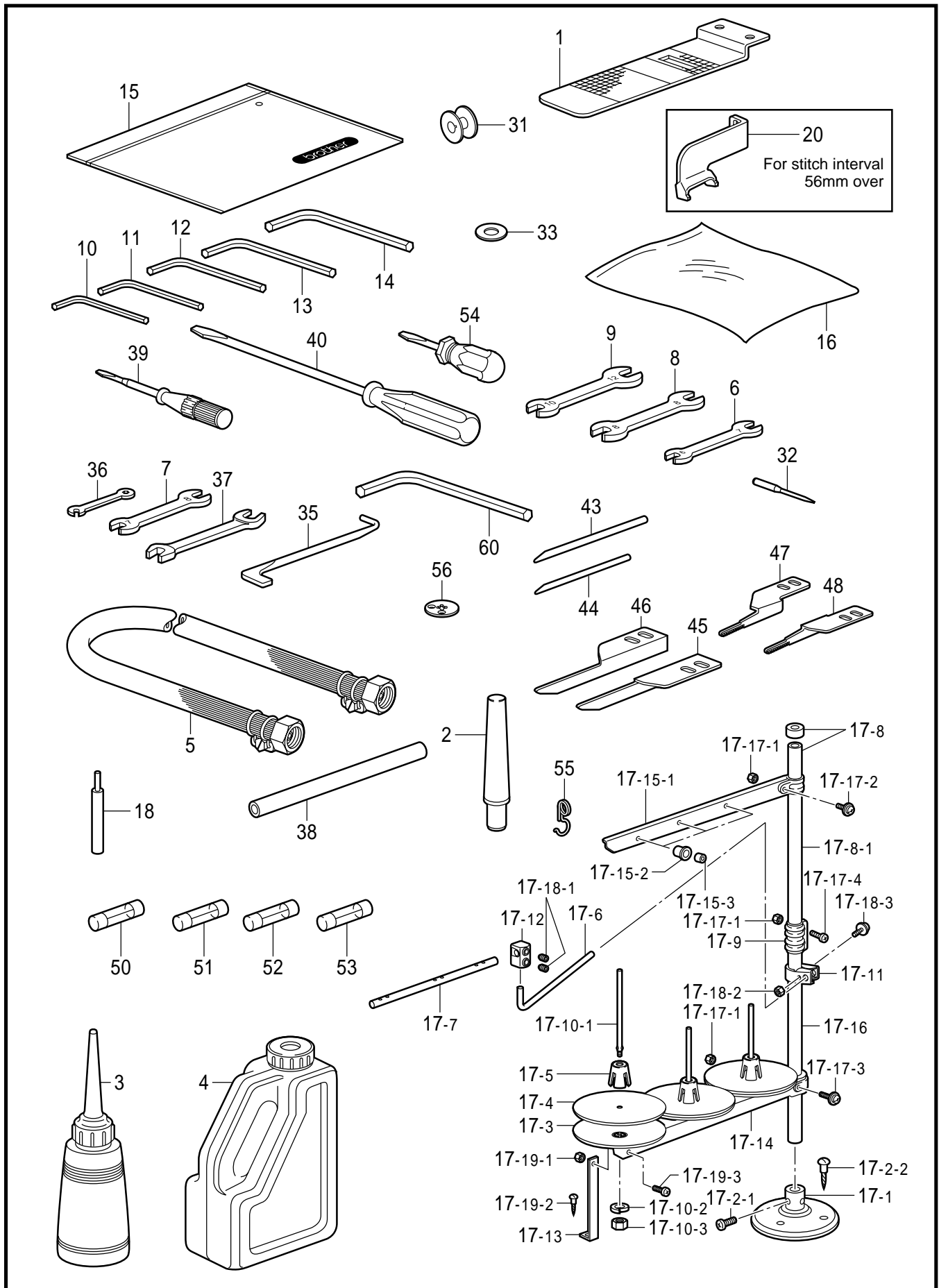


W2 . Attachment set (Option parts)

/ Anbausatz (Sonderzubehör) / Jeu d'accessoires (Pièces en option)

/ Juego de fijación (Piezas opcionales)

REF.NO.	CODE	Q'TY	NAME OF PARTS	RM
			<Belt feed device>	
6	S43632001	1	BELT FEED DEVICE	
6-1	S43622001	1	BELT FEED DEVICE, SUB	
6-1-1	S43611001	1	BELT FEED BASE	
6-1-2	S43623000	1	CYLINDER ASSY, 20-125	
6-1-2-1	S43624000	1	CYLYNDER, 20-125	
6-1-2-2	S04909000	1	ELBOW UNION	
6-1-2-3	S23647000	1	SPEED CONTROLLER	
6-1-3	S43612001	1	BELT GUIDE	
6-1-4	S43613000	2	SPACER	
6-1-5	061300616	4	SCREW, FLAT M3X6	
6-1-6	062401016	4	SCREW, PAN M4X10	
6-1-7	028040246	4	WASHER, SPRING 2-4	
6-1-8	S43625000	1	CYLINDER ASSY, 16-5	
6-1-8-1	S43627000	1	CYLINDER, 16-5	
6-1-8-2	S43628000	2	T-JOINT, 4M5	
6-1-9	S43629000	1	CYLINDER ASSY, 16-5	
6-1-9-1	S43630000	1	CYLINDER, 16-5	
6-1-9-2	S43631000	1	BRANCH ELBOW, 4M5	
6-1-10	062401416	8	SCREW, PAN M4X14	
6-1-11	028040246	8	WASHER, SPRING 2-4	
6-1-12	S43614001	2	BELT PRESSER	
6-1-13	S43613000	4	SPACER	
6-1-14	061300616	8	SCREW, FLAT M3X6	
6-1-15	S43615001	2	GUIDE SHAFT, B	
6-1-16	018501236	4	BOLT, SOCKET M5X12	
6-1-17	028050246	4	WASHER, SPRING 2-5	
6-1-18	S43616001	1	GUIDE SHAFT, A	
6-1-19	018401236	1	BOLT, SOCKET M4X12	
6-1-20	028040246	1	WASHER, SPRING 2-4	
6-1-21	025040236	1	WASHER, PLAIN M 4	
6-1-22	S43617001	2	GUIDE SHAFT, C	
6-1-23	018401236	2	BOLT, SOCKET M4X12	
6-1-24	028040246	2	WASHER, SPRING 2-4	
6-1-25	025040236	2	WASHER, PLAIN M 4	
6-1-26	S43619001	1	GUIDE COVER	
6-1-27	S35221001	1	SHOULDER SCREW, M4	
6-1-28	107017002	1	WASHER, WAVE SPRING 6.45	
6-1-29	S43618001	1	GUIDE PLATE	
6-1-30	S43620001	1	SPRING, PLATE	
6-1-31	008400604	3	SCREW, TRUSS M4X6	
6-1-32	S01557000	1	MICRO VALVE, D	
6-1-33	062302016	2	SCREW, PAN M3X20	
6-1-34	025030233	2	WASHER, PLAIN M 3	
6-1-35	028030243	2	WASHER, SPRING 2-3	
6-1-36	021300103	2	NUT, 1 M3	
6-1-37	S43621001	2	POST	
6-1-38	018061236	2	BOLT, SOCKET M6X12	
6-1-39	028060246	2	WASHER, SPRING 2-6	
6-1-40	S37445000	1	QUICK EXHAUST	
6-1-41	S15031006	2	AIR TUBE, L=1400	
6-1-42	S14085005	1	AIR TUBE, 4X145	
6-1-43	S14085012	2	AIR TUBE, 4X73	
6-1-44	S15031001	1	AIR TUBE, L=120	
6-1-45	S18387003	1	AIR TUBE, 4 (L=260)	
6-1-46	S04557000	2	BAND, PLTIM	
6-2	S39115000	1	VALVE, VQZ1151-5	



Z . Accessories / Zubehör / Accessoires / Accesorios

REF.NO.	CODE	Q'TY	NAME OF PARTS	RM
1	S41803001	1	FEED PLATE	
2	S41901009	1	HEAD REST ASSY	
3	114483002	1	OILER ASSY	
4	154702101	1	OIL TANK	
5	149796001	1	AIR TUBE WITH CONNECTOR	
6	107779001	1	WRENCH, 6X7	
7	142205001	1	WRENCH, 7X8	
8	100887001	1	WRENCH, 8X9	
9	107780001	1	WRENCH, 10X12	
10	142002001	1	HEXAGONAL WRENCH, 2	
11	154125001	1	HEXAGONAL WRENCH, 2.5	
12	142721001	1	HEXAGONAL WRENCH, 3	
13	118064001	1	HEXAGONAL WRENCH, 4	
14	150335001	1	HEXAGONAL WRENCH, 5	
15	122991001	1	ACCESSORY BAG	
16	120192000	1	PE. BAG, 78X80	
17	S02767309	1	COTTON STAND ASSY, 3THF	
17-1	150189109	1	COTTON STAND BASE	
17-2	S02773001	1	COTTON STAND BRACKET SCREW SET	
17-2-1	062060806	2	SCREW, PAN M6X8	
17-2-2	031452206	3	WOOD SCREW, ROUND M4.5X22	
17-3	150180001	3	SPOOL STAND BASE	
17-4	150182000	3	SPOOL MAT	
17-5	126863001	3	SPOOL CUSHION	
17-6	S04109001	1	THREAD GUIDE SUPPORT BAR	
17-7	142997001	1	THREAD GUIDE, 3	
17-8	S40639001	1	COLUMN PIPE WITH CAP	
17-8-1	150172003	1	COLUMN PIPE	
17-9	150173003	1	COLUMN JOINT	
17-10	S21798001	3	SPOOL SCREW SET	
17-10-1	150179002	3	SPOOL SHAFT, B	
17-10-2	028050246	3	WASHER, SPRING 2-5	
17-10-3	021500106	3	NUT, 1 M5	
17-11	150185009	1	THREAD GUIDE HOLDER	
17-12	138843001	1	JOINT	
17-13	150188009	1	SPOOL HOLDER SUPPORT, A	
17-14	S02779009	1	SPOOL HOLDER, 3	
17-15	S02788009	1	THREAD HANGER ASSY, 3	
17-15-1	S02789009	1	THREAD HANGER, 3	
17-15-2	150183000	3	THREAD HANGER BASE	
17-15-3	142990001	3	THREAD BUSH	
17-16	150172003	1	COLUMN PIPE	
17-17	S40641001	1	SPOOL SCREW SET, A	
17-17-1	021500106	4	NUT, 1 M5	
17-17-2	S37038001	1	SCREW, PAN (S/P WASHER) M5X14	
17-17-3	S37037001	1	SCREW, PAN (S/P WASHER) M5X32	
17-17-4	062501406	2	SCREW, PAN M5X14	
17-18	S40643001	1	HOLDER JOINT SCREW SET	
17-18-1	014060632	2	SET SCREW, SOCKET (CP) M6X6	
17-18-2	021500106	1	NUT, 1 M5	
17-18-3	S37037001	1	SCREW, PAN (S/P WASHER) M5X32	
17-19	S40644001	1	HOLDER JOINT SCREW SET	
17-19-1	021500106	1	NUT, 1 M5	

151-705-910

* The details of included accessories are subject to change.

* Änderungen in der Aufstellung der Mitgelieferten Zubehöre sind vorbehalten.

* Les détails des accessoires inclus sont sujets à des changements.

* Los detalles de los accesorios incluidos pueden variar.

Z . Accessories / Zubehör / Accessoires / Accesorios

REF.NO.	CODE	Q'TY	NAME OF PARTS	RM
17-19-2	031452206	1	WOOD SCREW, ROUND M4.5X22	
17-19-3	062501006	1	SCREW, PAN M5X10	
18	S41903001	1	NEEDLE HOLE JIG	
			<For stitch interval 56mm over>	
20	S41605101	1	UPPER GUIDE PLATE, B	
31	S15665001	4	BOBBIN, LA	
32	S37928419	1	NEEDLE ASSY, DPX17NY (#19)	
33	S10208001	2	WASHER, MOVABLE KNIFE T=0.4 <t=0.4>	
33	S10208002	2	WASHER, MOVABLE KNIFE T=0.5 <t=0.5>	
33	S10208003	2	WASHER, MOVABLE KNIFE T=0.6 <t=0.6>	
35	S08170001	1	SCREW DRIVER, Z-STEEL	
36	S23926001	1	WRENCH, 5	
37	S14696001	1	WRENCH, 11X13	
38	154760001	1	PIPE, WRENCH	
39	118837001	1	SCREW DRIVER, 3.4X70	
40	101572101	1	SCREW DRIVER, 5.5X190	
43	S41626001	2	FORK SHAFT, 2.0L	
44	S41627001	2	FORK SHAFT, 2.0S	
45	S44968001	1	LOOP PRESSER PLATE, B	
46	S44969001	1	LOOP PRESSER PLATE, F	
47	S44970001	1	LOOSEN LOOP PRESSER FOOT, B	
48	S44971001	1	LOOSEN LOOP PRESSER FOOT, F	
50	215769001	1	FUSE, 3A	
51	152566000	3	FUSE, C 2A	
52	153242000	1	FUSE, 6A	
53	157219000	2	FUSE, 5A	
54	S11243001	1	SCREW DRIVER	
55	S02747101	3	SPRING	
56	S45188001	2	NEEDLE HOLE PLATE, EX	
60	115157001	1	HEXAGONAL WRENCH, 6	

151-705-910

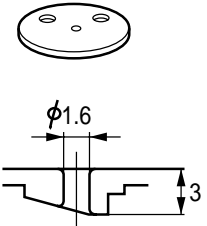
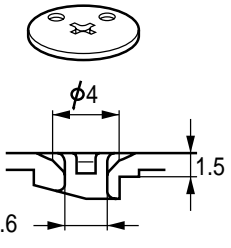
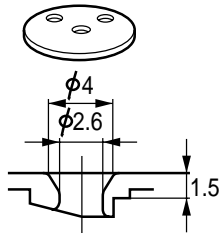
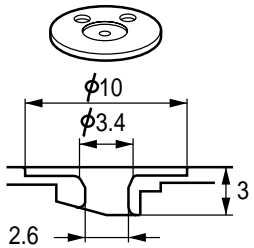
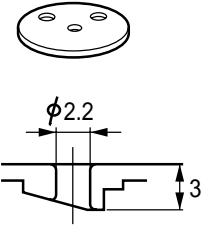
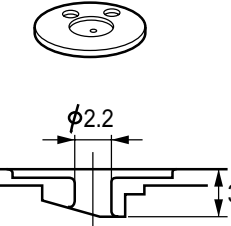
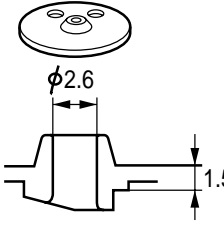
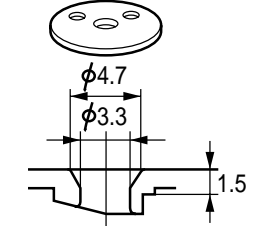
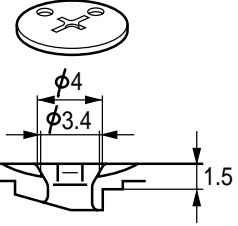
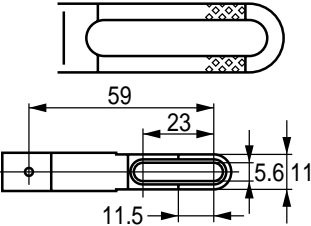
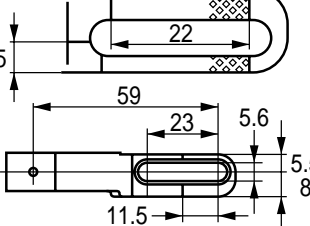
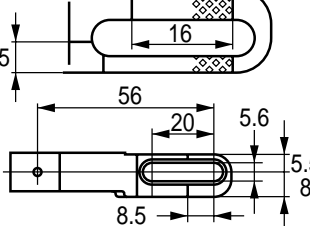
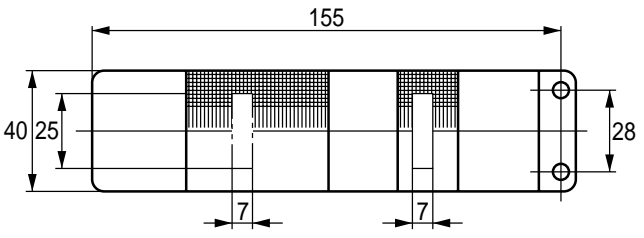
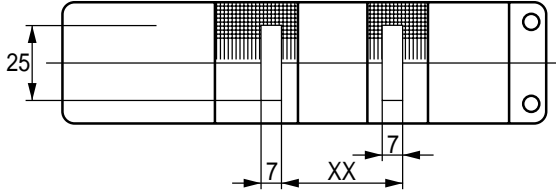
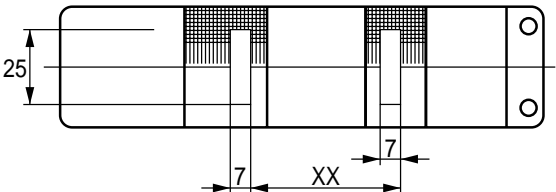
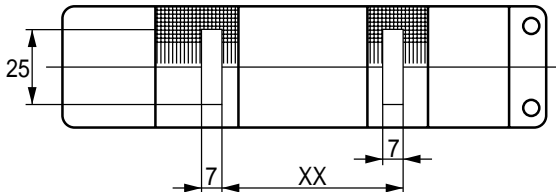
* The details of included accessories are subject to change.

* Änderungen in der Aufstellung der Mitgelieferten Zubehöre sind vorbehalten.

* Les détails des accessoires inclus sont sujets à des changements.

* Los detalles des accesorios incluidos pueden variar.

Ga . Gauge parts List / Lehrenliste / Liste des Pièces decartment
 / Lista d'ePiezas de calibradores

<p>Ref No.1 ※</p> 	<p>Ref No.2</p> 	<p>Ref No.3 ※</p> 	<p>Ref No.4</p> 
<p>Ref No.5</p> 	<p>Ref No.6</p> 	<p>Ref No.7</p> 	<p>Ref No.8</p> 
<p>Ref No.9 ※</p> 	<p>Ref No.10 ※</p> 	<p>Ref No.11</p> 	<p>Ref No.12</p> 
<p>Ref No.13 ※</p> 	<p>Ref No.14</p> 		
<p>Ref No.15</p> 	<p>Ref No.16</p> 		

Ga . Gauge parts List / Lehrenliste / Liste des Pièces decartment
/ Lista d'ePiezas de calibradores

REF.NO.	CODE	Q'TY	NAME OF PARTS	RM
1	S10211001	1	NEEDLE HOLE PLATE, A	
2	S29997001	1	NEEDLE HOLE PLATE, D	
3	S10212101	1	<For Denim> NEEDLE HOLE PLATE, E	*
4	S30925001	1	NEEDLE HOLE PLATE, ED	
5	S10213001	1	NEEDLE HOLE PLATE, F	
6	S30926001	1	NEEDLE HOLE PLATE, FD	
7	S30450001	1	NEEDLE HOLE PLATE, H	
8	S25127001	1	NEEDLE HOLE PLATE, L	
9	S45188001	1	<In case of using the heavy weight thread> NEEDLE HOLE PLATE, EX	*
10	S41796101	2	<For bar tack length "Max. 23mm"> WORK CLAMP	*
11	S44762001	1	<For bar tack length "Max. 22mm"> WORK CLAMP, F	
12	S44763001	1	<For bar tack length "Max. 16mm"> WORK CLAMP, FS	
13	S41803001	1	<Blank plate for "feed plate"> FEED PLATE	*
14	S449610XX	1	" Stitch interval = XX " <For stitch interval "40-53mm"> FEED PLATE, S	
15	S449620XX	1	<For stitch interval "48-63mm"> FEED PLATE, M	
16	S449630XX	1	<For stitch interval "58-70mm"> FEED PLATE, L	

151-705



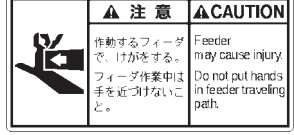
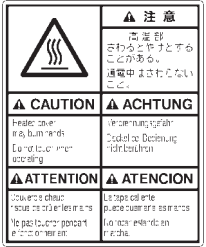

The * symbol is for Standar parts.

Mit dem Zeichen * Standardteile bezeichnet.

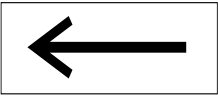


Le symbol * correspond aux pièces.

El asterisco * es para piezas normales.

Wa 1. Warning labels / Warnschilder / Etiquettes d'avertissement / Etiquetas de advertencia

Warning labels	Name of Parts	Size(mm)	Code
	Label, elec. shock 4 lang.	35X118	S38352-101
	Label, operation (BAS) Eng.	40X64	S38571-001
		52X84	S38571-002
	Label, Pinch	40X84	S38355-001
	Label, Entanglement.	72X59	S38351-001
	Mark, Injury	L=16	S36924-001

Wa 2. Warning labels / Warnschilder / Etiquettes d'avertissement / Etiquetas de advertencia

Warning labels	Name of Parts	Size(mm)	Code
	Label, arrow	10X30	S37058-001
	Label, PE	7.5X12.5	S37059-001
	Label, grounding	ø12	S37060-001