

DT4-B266

INSTRUCTION MANUAL
BEDIENUNGSANLEITUNG
MANUEL D'INSTRUCTIONS
MANUAL DE INSTRUCCIONES

FLAT BED SINGLE NEEDLE DOUBLE CHAIN STITCHER WITH THREAD TRIMMER

Please read this manual before using the machine.
Please keep this manual within easy reach for quick reference.

EINNADEL-FLACHBETT-DOPPELKETTENSTICHMASCHINE MIT FADENABSCHNEIDER

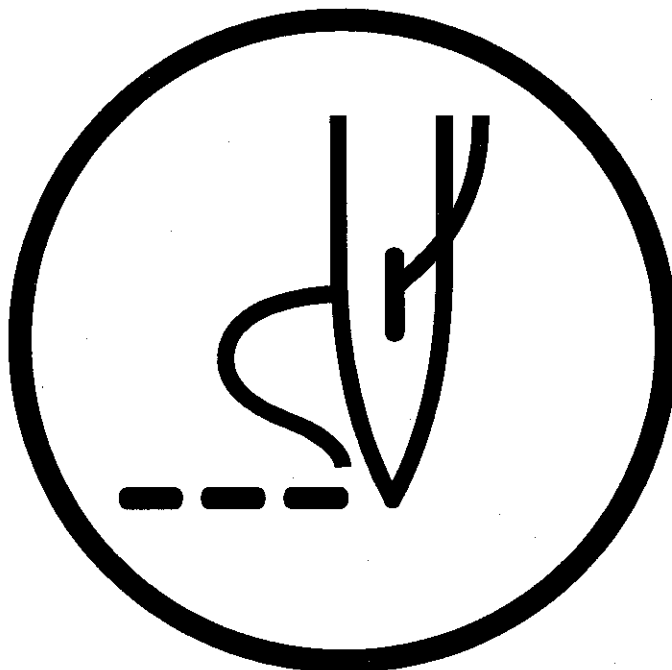
Bitte vor Gebrauch der Maschine diese Anleitung lesen!
Bitte halten Sie diese Anleitung stets griffbereit zur schnellen Orientierung!

MACHINE POINT DE CHAINETTE A PLATEAU - 1 AIGUILLE AVEC COUPE-FIL

Veillez lire ce manuel avant d'utiliser la machine.
Veillez garder ce manuel près de vous pour une vérification rapide.

RECUBRIDORA PLANA, UNA AGUJA CON CORTAHILOS

Por favor lea este manual antes de usar la máquina.
Por favor guarde este manual al alcance de la mano para una rápida referencia.



Thank you very much for buying a BROTHER sewing machine. Before using your new machine, please read the safety instructions below and the explanations given in the instruction manual.


With industrial sewing machines, it is normal to carry out work while positioned directly in front of moving parts such as the needle and thread take-up lever, and consequently there is always a danger of injury that can be caused by these parts. Follow the instructions from training personnel and instructors regarding safe and correct operation before operating the machine so that you will know how to use it correctly.

SAFETY INSTRUCTIONS

1 Safety indications and their meanings

This instruction manual and the indications and symbols that are used on the machine itself are provided in order to ensure safe operation of this machine and to prevent accidents and injury to yourself or other people. The meanings of these indications and symbols are given below.

Indications

 <b style="font-size: 1.2em;">CAUTION	The instructions which follow this term indicate situations where failure to follow the instructions could cause injury when using the machine or physical damage to equipment and surroundings.
----------------------------------------------------------------------------------------------------------------------------	--------------------------------------------------------------------------------------------------------------------------------------------------------------------------------------------------

Symbols



..... This symbol (\triangle) indicates something that you should be careful of. The picture inside the triangle indicates the nature of the caution that must be taken.
(For example, the symbol at left means "beware of injury".)















..... This symbol ($\textcircled{/}$) indicates something that you must not do.












..... This symbol (\bullet) indicates something that you must do. The picture inside the circle indicates the nature of the thing that must be done.
(For example, the symbol at left means "you must make the ground connection".)

2 Notes on safety




 CAUTION	
Installation	
<ul style="list-style-type: none">  • Machine installation should only be carried out by a qualified technician.  • Contact your Brother dealer or a qualified electrician for any electrical work that may need to be done.  • The sewing machine weighs more than 49 kg. The installation should be carried out by two or more people.  • Do not connect the power cord until installation is complete, otherwise the machine may operate if the treadle is depressed by mistake, which could result in injury.  • Be sure to connect the ground. If the ground connection is not secure, you run the risk of receiving a serious electric shock.  • All cords should be secured at least 25 mm away from any moving parts. Furthermore, do not excessively bend the cords or secure them too firmly with staples, otherwise there is the danger that fire or electric shocks could occur.  	<ul style="list-style-type: none">  • Install the belt covers to the machine head and motor.  • If using a work table which has casters, the casters should be secured in such a way so that they cannot move.  • Be sure to wear protective goggles and gloves when handling the lubricating oil, so that no oil gets into your eyes or onto your skin, otherwise inflammation can result. Furthermore, do not drink the oil under any circumstances, as they can cause vomiting and diarrhoea. Keep the oil out of the reach of children.  • Avoid setting up the sewing machine near sources of strong electrical noise such as highfrequency welding equipment. If this precaution is not taken, incorrect machine operation may result.

CAUTION










Sewing

- | | |
|-------------------------------------------------------------------------------------------------------------------------------------------------------------------------------------------------------------------------------------------------------------------------------------------------------------------------------------------------------------------------------------------------------------------------------------------------------------------------------------------------------------------------------------------------------------------------------------------------------------------------------------------------------------------------------------------------------------------------------------------------------------------------------------------------------------------------------------------------------------------------------------------------------------------------------------------------------------------------------------------------------------------------------------------------------------------------|--------------------------------------------------------------------------------------------------------------------------------------------------------------------------------------------------------------------------------------------------------------------------------------------------------------------------------------------------------------------------------------------------------------------------------------------------------------------------------------------------------------------------------------------------------------------------------------------------------------------------------------------------------------------------------------------------------------------------------------------------------------------------------------------------------------------------------------------------------------------------------------------------------------------------------------------------------------------------------------------------------------------------------------------------------------------------------------------------------------------------------------------------------------------------------------------------------------------------|
| <ul style="list-style-type: none"> This sewing machine should only be used by operators who have received the necessary training in safe use beforehand. The sewing machine should not be used for any applications other than sewing. Turn off the power switch at the following times, otherwise the machine may operate if the treadle is depressed by mistake, which could result in injury.<ul style="list-style-type: none">When threadingWhen replacing the needleWhen not using the machine and when leaving the machine unattended If using a work table which has casters, the casters should be secured in such a way so that they cannot move. | <ul style="list-style-type: none"> Attach all safety devices before using the sewing machine. If the machine is used without these devices attached, injury may result. Do not touch any of the moving parts or press any objects against the machine while sewing, as this may result in personal injury or damage to the machine. For machines with automatic presser lifter, do not touch the solenoid section, otherwise burns may result. If an error occurs in machine operation, or if abnormal noises or smells are noticed, immediately turn off the power switch. Then contact your nearest Brother dealer or a qualified technician. If the machine develops a problem, contact your nearest Brother dealer or a qualified technician. |
|-------------------------------------------------------------------------------------------------------------------------------------------------------------------------------------------------------------------------------------------------------------------------------------------------------------------------------------------------------------------------------------------------------------------------------------------------------------------------------------------------------------------------------------------------------------------------------------------------------------------------------------------------------------------------------------------------------------------------------------------------------------------------------------------------------------------------------------------------------------------------------------------------------------------------------------------------------------------------------------------------------------------------------------------------------------------------|--------------------------------------------------------------------------------------------------------------------------------------------------------------------------------------------------------------------------------------------------------------------------------------------------------------------------------------------------------------------------------------------------------------------------------------------------------------------------------------------------------------------------------------------------------------------------------------------------------------------------------------------------------------------------------------------------------------------------------------------------------------------------------------------------------------------------------------------------------------------------------------------------------------------------------------------------------------------------------------------------------------------------------------------------------------------------------------------------------------------------------------------------------------------------------------------------------------------------|

Cleaning

- | | |
|-------------------------------------------------------------------------------------------------------------------------------------------------------------------------------------------------------------------------------------------------------------------------------------------------------------------------------------------------------------------------------------------------------------------------------------------------------------------------------------------------------------|--------------------------------------------------------------------------------------------------------------------------------------------------------------------------------------------------------------------------------------------------------------------------------------------------------------------------------------------------------------------------------------------------------------------------------------------------------------|
| <ul style="list-style-type: none"> Turn off the power switch before carrying out cleaning, otherwise the machine may operate if the treadle is pressed by mistake, which could result in injury. If using a work table which has casters, the casters should be secured in such a way so that they cannot move. | <ul style="list-style-type: none"> Be sure to wear protective goggles and gloves when handling the lubricating oil, so that no oil gets into your eyes or onto your skin, otherwise inflammation can result. Furthermore, do not drink the oil under any circumstances, as they can cause vomiting and diarrhoea. Keep the oil out of the reach of children. |
|-------------------------------------------------------------------------------------------------------------------------------------------------------------------------------------------------------------------------------------------------------------------------------------------------------------------------------------------------------------------------------------------------------------------------------------------------------------------------------------------------------------|--------------------------------------------------------------------------------------------------------------------------------------------------------------------------------------------------------------------------------------------------------------------------------------------------------------------------------------------------------------------------------------------------------------------------------------------------------------|

Maintenance and inspection

- | | |
|---------------------------------------------------------------------------------------------------------------------------------------------------------------------------------------------------------------------------------------------------------------------------------------------------------------------------------------------------------------------------------------------------------------------------------------------------------------------------------------------------------------------------------------------------------------------------------------------------------------------------------------------------------------------------------------------------------------------------------------------------------------------------------------------------------------------------------------------------------------------------------------------------------------------------------------------------------------------------------------------------------------------------------------------------------------------------------------------------------------------------------------------------------------------------------------------------------------------------------------------------------------------|-----------------------------------------------------------------------------------------------------------------------------------------------------------------------------------------------------------------------------------------------------------------------------------------------------------------------------------------------------------------------------------------------------------------------------------------------------------------------------------------------------------------------------------------------------------------------------------------------------------------------------------------------------------------------------------------------------------------------------------------------------------------------------------------------------------------------------------------------------------------------------------------------------------------------------------------------------------------------------------------------------------------------------------------------------------------------------------------------------------------------------------------------------------|
| <ul style="list-style-type: none"> Maintenance and inspection of the sewing machine should only be carried out by a qualified technician. Ask your Brother dealer or a qualified electrician to carry out any maintenance and inspection of the electrical system. Turn off the power switch and disconnect the power cord from the wall outlet at the following times, otherwise the machine may operate if the treadle is depressed by mistake, which could result in injury.<ul style="list-style-type: none">When carrying out inspection, adjustment and maintenanceWhen replacing consumable parts such as the loopers and knife. Disconnect the air hoses from the air supply and wait for the needle on the pressure gauge to drop to "0" before carrying out inspection, adjustment and repair of any parts which use the pneumatic equipment. | <ul style="list-style-type: none"> If using a work table which has casters, the casters should be secured in such a way so that they cannot move. If the power switch and air need to be left on when carrying out some adjustment, be extremely careful to observe all safety precautions. Use only the proper replacement parts as specified by Brother. If any safety devices have been removed, be absolutely sure to re-install them to their original positions and check that they operate correctly before using the machine. Any problems in machine operation which result from unauthorized modifications to the machine will not be covered by the warranty. |
|---------------------------------------------------------------------------------------------------------------------------------------------------------------------------------------------------------------------------------------------------------------------------------------------------------------------------------------------------------------------------------------------------------------------------------------------------------------------------------------------------------------------------------------------------------------------------------------------------------------------------------------------------------------------------------------------------------------------------------------------------------------------------------------------------------------------------------------------------------------------------------------------------------------------------------------------------------------------------------------------------------------------------------------------------------------------------------------------------------------------------------------------------------------------------------------------------------------------------------------------------------------------|-----------------------------------------------------------------------------------------------------------------------------------------------------------------------------------------------------------------------------------------------------------------------------------------------------------------------------------------------------------------------------------------------------------------------------------------------------------------------------------------------------------------------------------------------------------------------------------------------------------------------------------------------------------------------------------------------------------------------------------------------------------------------------------------------------------------------------------------------------------------------------------------------------------------------------------------------------------------------------------------------------------------------------------------------------------------------------------------------------------------------------------------------------------|

Vielen Dank, daß Sie sich für eine BROTHER-Nähmaschine entschieden haben. Lesen Sie bitte vor der Inbetriebnahme der neuen Nähmaschine die nachstehenden Sicherheitshinweise und die in der Bedienungsanleitung angegebenen Erklärungen durch.


Bei industriellen Nähmaschinen ist es üblich direkt vor sich bewegenden Teilen zu arbeiten und deshalb besteht immer eine gewisse Verletzungsgefahr durch die Nadel und den Fadenabnahmehebel. Befolgen Sie bitte alle die Anweisungen und Instruktionen für eine sichere und fehlerfreie Bedienung sorgfältig und machen Sie sich vor der Inbetriebnahme mit der Maschine vertraut.

SICHERHEITSHINWEISE




1 Sicherheitshinweise und ihre Bedeutung

Diese Bedienungsanleitung und die Hinweise und Symbole auf der Maschine sollen einen sicheren Betrieb der Maschine sicherstellen und die Unfall- und Verletzungsgefahr verringern. Die Bedeutung dieser Hinweise und Symbole wird nachstehend erklärt.

Hinweise

 ACHTUNG	<p>Diese Anweisungen, die diesem Ausdruck folgen, sind für Situationen, bei deren Mißachtung Verletzungsgefahr für das Bedienungspersonal vorhanden ist oder das Nähgut und die Maschinenteile beschädigt werden können.</p>
--------------------------------------------------------------------------------------------------	------------------------------------------------------------------------------------------------------------------------------------------------------------------------------------------------------------------------------











Symbole

-  Bei diesem Symbol (△) müssen Sie Sorgfalt anwenden. Das Symbol im Dreieck weist auf die Natur der Gefahr hin.
(Zum Beispiel weist das linksstehende Symbol auf eine Verletzungsgefahr hin.)
-  Dieses Symbol (⊘) weist darauf hin, daß Sie etwas nicht machen dürfen.
-  Dieses Symbol (●) weist darauf hin, daß Sie etwas machen müssen. Das Symbol im Kreis gibt einen Hinweis darauf, was gemacht werden muß.
(Zum Beispiel bedeutet das links stehende Symbol, daß der Erdungsanschluß gemacht werden muß.)

2 Hinweise zur Sicherheit










⚠ ACHTUNG

Montage




- | | |
|----------------------------------------------------------------------------------------------------------------------------------------------------------------------------------------------------------------------------------------------------------------------------------------------------------------------------------------------------------------------------------------------------------------------------------------------------------------------------------------------------------------------------------------------------------------------------------------------------------------------------------------------------------------------------------------------------------------------------------------------------------------------------------------------------------------------------------------------------------------------------------------------------------------------------------------------------------------------------------------------------------------------------------------------------------------------------------------------------------------------------------------------------------------------------------------------------------------------------------------------------------------------------------------------------------------------------------------------------------------------------------------------------------------------------------------------------------------------------------------------|-----------------------------------------------------------------------------------------------------------------------------------------------------------------------------------------------------------------------------------------------------------------------------------------------------------------------------------------------------------------------------------------------------------------------------------------------------------------------------------------------------------------------------------------------------------------------------------------------------------------------------------------------------------------------------------------------------------------------------------------------------------------------------------------------------------------------------------------------------------------------------------------------------------------------------------------------------------------------------------------------------------------------------------------------------------------------------------------------------------------------------------------------------------------------------------------------------------------|
| <ul style="list-style-type: none">  • Die Nähmaschine darf nur von einem Fachmann montiert werden.  • Falls Elektrikerarbeiten gemacht werden müssen, wenden Sie sich an Ihren Brother-Händler oder an einen qualifizierten Elektriker.  • Weil die Nähmaschine mehr als 49 kg wiegt, sind zur Montage mindestens zwei Personen notwendig.  • Schließen Sie das Netzkabel erst nach vollständiger Montage an, weil sonst Verletzungsgefahr besteht, wenn die Nähmaschine durch unbeabsichtigtes Betätigen des Pedals in Gang gesetzt wird.  • Erden Sie die Maschine unbedingt. Bei falsch geerdeter Maschine besteht die Gefahr eines elektrischen Schlages.  • Alle Kabel müssen mindestens 25 mm von sich bewegenden Teilen entfernt sicher befestigt werden. Die Kabel dürfen auch nicht zu stark gebogen oder zu fest mit Klammern befestigt werden, weil sonst die Gefahr eines elektrischen Schlages besteht. | <ul style="list-style-type: none">  • Bringen Sie den Riemenschutz am Maschinenoberteil und am Motor an.  • Falls Sie einen Nähtisch mit Rollen verwenden, müssen die Rollen richtig blockiert werden, so daß sich der Nähtisch nicht bewegen kann.  • Tragen Sie zur Handhabung von Schmieröl eine Schutzbrille und Schutzhandschuhe. Falls Öl in die Augen oder auf die Haut gelangt, können sich diese Stellen entzünden. Bei irrtümlicher Einnahme von Öl kann Erbrechen und Durchfall auftreten. Bewahren Sie das Öl nicht in Reichweite von Kindern auf.  • Stellen Sie die Nähmaschine nicht an Orten, an denen starke elektrische Störsignale auftreten, wie in der Nähe von Hochfrequenz-Schweißgeräten auf. Durch Mißachtung dieser Vorsichtsmaßnahmen können Betriebsstörungen der Maschine verursacht werden. |
|----------------------------------------------------------------------------------------------------------------------------------------------------------------------------------------------------------------------------------------------------------------------------------------------------------------------------------------------------------------------------------------------------------------------------------------------------------------------------------------------------------------------------------------------------------------------------------------------------------------------------------------------------------------------------------------------------------------------------------------------------------------------------------------------------------------------------------------------------------------------------------------------------------------------------------------------------------------------------------------------------------------------------------------------------------------------------------------------------------------------------------------------------------------------------------------------------------------------------------------------------------------------------------------------------------------------------------------------------------------------------------------------------------------------------------------------------------------------------------------------|-----------------------------------------------------------------------------------------------------------------------------------------------------------------------------------------------------------------------------------------------------------------------------------------------------------------------------------------------------------------------------------------------------------------------------------------------------------------------------------------------------------------------------------------------------------------------------------------------------------------------------------------------------------------------------------------------------------------------------------------------------------------------------------------------------------------------------------------------------------------------------------------------------------------------------------------------------------------------------------------------------------------------------------------------------------------------------------------------------------------------------------------------------------------------------------------------------------------|

ACHTUNG










Nähen

- | | |
|-------------------------------------------------------------------------------------------------------------------------------------------------------------------------------------------------------------------------------------------------------------------------------------------------------------------------------------------------------------------------------------------------------------------------------------------------------------------------------------------------------------------------------------------------------------------------------------------------------------------------------------------------------------------------------------------------------------------------------------------------------------------------------------------------------------------------------------------------------------------------------------------------------------------------------------------------------------------------------------------------------------------------------------------------------------------------------------------------------------------------------|---------------------------------------------------------------------------------------------------------------------------------------------------------------------------------------------------------------------------------------------------------------------------------------------------------------------------------------------------------------------------------------------------------------------------------------------------------------------------------------------------------------------------------------------------------------------------------------------------------------------------------------------------------------------------------------------------------------------------------------------------------------------------------------------------------------------------------------------------------------------------------------------------------------------------------------------------------------------------------------------------------------------------------------------------------------------------------------------------------------------------------------------------------------------------------------------------------------------------------------------------------------------------------------------------------------------------------------------------------|
| <ul style="list-style-type: none"> Diese Nähmaschine darf nur von Personen bedient werden, die zuerst das notwendige Training zur sicheren Bedienung absolviert haben. Diese Nähmaschine darf nur zum Nähen verwendet werden. Schalten Sie den Netzschalter in den folgenden Fällen immer aus, weil sonst Verletzungsgefahr besteht, wenn die Nähmaschine durch unbeabsichtigtes Betätigen des Pedals in Gang gesetzt wird.<ul style="list-style-type: none">• Zum Einfädeln• Zum Auswechseln der Nadel• Wenn die Maschine nicht verwendet wird oder unbeaufsichtigt ist Falls Sie einen Nähtisch mit Rollen verwenden, müssen die Rollen richtig blockiert werden, so daß sich der Nähtisch nicht bewegen kann. | <ul style="list-style-type: none"> Vor Inbetriebnahme müssen alle Sicherheitsvorrichtungen angebracht werden. Beim Betrieb ohne Sicherheitsvorrichtungen können Verletzungen verursacht werden. Berühren Sie keine sich bewegenden Teile und drücken Sie auch keine Gegenstände an solche Teile, weil Sie sich verletzen können und die Nähmaschine beschädigt werden kann. Bei Maschinen mit einem automatischen Stoffdrückerfuß dürfen Sie den Teil mit dem Solenoid nicht berühren, weil Verbrennungsgefahr besteht. Bei einem Bedienungsfehler oder falls abnormale Geräusche oder Gerüche auftreten, muß der Netzschalter sofort ausgeschaltet werden. Wenden Sie sich danach an den nächsten Brother-Händler oder an einen qualifizierten Fachmann. Bei einer Betriebsstörung wenden Sie sich bitte an den nächsten Brother-Händler oder an einen qualifizierten Fachmann. |
|-------------------------------------------------------------------------------------------------------------------------------------------------------------------------------------------------------------------------------------------------------------------------------------------------------------------------------------------------------------------------------------------------------------------------------------------------------------------------------------------------------------------------------------------------------------------------------------------------------------------------------------------------------------------------------------------------------------------------------------------------------------------------------------------------------------------------------------------------------------------------------------------------------------------------------------------------------------------------------------------------------------------------------------------------------------------------------------------------------------------------------|---------------------------------------------------------------------------------------------------------------------------------------------------------------------------------------------------------------------------------------------------------------------------------------------------------------------------------------------------------------------------------------------------------------------------------------------------------------------------------------------------------------------------------------------------------------------------------------------------------------------------------------------------------------------------------------------------------------------------------------------------------------------------------------------------------------------------------------------------------------------------------------------------------------------------------------------------------------------------------------------------------------------------------------------------------------------------------------------------------------------------------------------------------------------------------------------------------------------------------------------------------------------------------------------------------------------------------------------------------|

Reinigen

- | | |
|---------------------------------------------------------------------------------------------------------------------------------------------------------------------------------------------------------------------------------------------------------------------------------------------------------------------------------------------------------------------------------------------------------------------------------------------------------------------------------------------------------------------------------------------------|--------------------------------------------------------------------------------------------------------------------------------------------------------------------------------------------------------------------------------------------------------------------------------------------------------------------------------------------------------------------------------------------------------------------------------------------|
| <ul style="list-style-type: none"> Schalten Sie zum Reinigen immer den Netzschalter aus. Es besteht Verletzungsgefahr, wenn die Nähmaschine durch unbeabsichtigtes Betätigen des Pedals in Gang gesetzt wird. Falls Sie einen Nähtisch mit Rollen verwenden, müssen die Rollen richtig blockiert werden, so daß sich der Nähtisch nicht bewegen kann. | <ul style="list-style-type: none"> Tragen Sie zur Handhabung von Schmieröl eine Schutzbrille und Schutzhandschuhe. Falls Öl in die Augen oder auf die Haut gelangt, können sich diese Stellen entzünden. Bei irrtümlicher Einnahme von Öl kann Erbrechen und Durchfall auftreten. Bewahren Sie das Öl nicht in Reichweite von Kindern auf. |
|---------------------------------------------------------------------------------------------------------------------------------------------------------------------------------------------------------------------------------------------------------------------------------------------------------------------------------------------------------------------------------------------------------------------------------------------------------------------------------------------------------------------------------------------------|--------------------------------------------------------------------------------------------------------------------------------------------------------------------------------------------------------------------------------------------------------------------------------------------------------------------------------------------------------------------------------------------------------------------------------------------|

Wartung und Inspektion

- | | |
|---------------------------------------------------------------------------------------------------------------------------------------------------------------------------------------------------------------------------------------------------------------------------------------------------------------------------------------------------------------------------------------------------------------------------------------------------------------------------------------------------------------------------------------------------------------------------------------------------------------------------------------------------------------------------------------------------------------------------------------------------------------------------------------------------------------------------------------------------------------------------------------------------------------------------------------------------------------------------------------------------------------------------------------------------------------------------------------------------------------------------------------------------------------------------------------------------------------------------------------------------------------------------------------------------------------------------------------------------------------|---------------------------------------------------------------------------------------------------------------------------------------------------------------------------------------------------------------------------------------------------------------------------------------------------------------------------------------------------------------------------------------------------------------------------------------------------------------------------------------------------------------------------------------------------------------------------------------------------------------------------------------------------------------------------------------------------------------------------------------------------------------------------------------------------------------------------------------------------------------------------------------------------------------------------------------------------------------------------------------------------------------------------------------------------------------------------------------------------------------------------------------------------------------------------------------------------------------------------------------------------------------------------------------------------------|
| <ul style="list-style-type: none"> Die Wartung und Inspektion darf nur durch einen qualifizierten Fachmann ausgeführt werden. Wenden Sie sich für die Wartung und Inspektion des elektrischen Systems an Ihren Brother-Händler oder an einen qualifizierten Elektriker. Schalten Sie den Netzschalter in den folgenden Fällen immer aus und ziehen Sie das Netzkabel aus der Steckdose, weil sonst Verletzungsgefahr besteht, wenn die Nähmaschine durch unbeabsichtigtes Betätigen des Pedals in Gang gesetzt wird.<ul style="list-style-type: none">• Zum Ausführen von Inspektionen, Einstellungen und Wartungsarbeiten• Beim Ersetzen von Verbrauchsteilen, wie Greifer und Messer. Lösen Sie die Druckluftleitungen von der Druckluftversorgung und warten Sie, bis die Manometeranzeige auf "0" abgefallen ist, bevor Sie mit dem Kontrollieren, Einstellen oder mit der Reparatur von Teilen beginnen, die mit Druckluft betrieben werden. | <ul style="list-style-type: none"> Falls Sie einen Nähtisch mit Rollen verwenden, müssen die Rollen richtig blockiert werden, so daß sich der Nähtisch nicht bewegen kann. Falls bestimmte Einstellungen bei eingeschaltetem Netzschalter und eingeschalteter Druckluft vorgenommen werden, so müssen die Sicherheitsmaßnahmen sorgfältig beachtet werden. Verwenden Sie nur die richtigen, von Brother vorgeschriebenen Austauschteile. Falls Sicherheitsvorrichtungen entfernt wurden, müssen sie unbedingt wieder in den ursprünglichen Positionen montiert werden. Kontrollieren Sie vor der Inbetriebnahme die Sicherheitsvorrichtungen auf richtige Funktion. Störungen der Nähmaschine, die auf unerlaubte Modifikationen der Nähmaschine zurückgeführt werden können, werden nicht durch die Garantie gedeckt. |
|---------------------------------------------------------------------------------------------------------------------------------------------------------------------------------------------------------------------------------------------------------------------------------------------------------------------------------------------------------------------------------------------------------------------------------------------------------------------------------------------------------------------------------------------------------------------------------------------------------------------------------------------------------------------------------------------------------------------------------------------------------------------------------------------------------------------------------------------------------------------------------------------------------------------------------------------------------------------------------------------------------------------------------------------------------------------------------------------------------------------------------------------------------------------------------------------------------------------------------------------------------------------------------------------------------------------------------------------------------------|---------------------------------------------------------------------------------------------------------------------------------------------------------------------------------------------------------------------------------------------------------------------------------------------------------------------------------------------------------------------------------------------------------------------------------------------------------------------------------------------------------------------------------------------------------------------------------------------------------------------------------------------------------------------------------------------------------------------------------------------------------------------------------------------------------------------------------------------------------------------------------------------------------------------------------------------------------------------------------------------------------------------------------------------------------------------------------------------------------------------------------------------------------------------------------------------------------------------------------------------------------------------------------------------------------|

Nous vous remercions d'avoir acheté une machine à coudre BROTHER. Avant d'utiliser votre nouvelle machine, veuillez lire attentivement les instructions de sécurité ci-dessous et les explications données dans le manuel d'instructions.


Pour utiliser les machines à coudre industrielles, l'opérateur doit se trouver juste en face des parties mobiles telles que l'aiguille et le levier de releveur de fil; par conséquent, ces pièces présentent un risque permanent de blessures. Pour utiliser la machine correctement et en toute sécurité, se conformer aux instructions données par les instructeurs et le personnel de formation.

INSTRUCTIONS DE SECURITE


1 Indications de sécurité et leur signification


Ce manuel d'instructions et les indications et symboles figurant sur la machine elle-même permettent d'utiliser la machine en toute sécurité et d'éviter des accidents et des blessures à votre entourage et à vous-même. Les significations de ces indications et de ces symboles sont indiquées ci-dessous.


Indications

 ATTENTION	<p>Ces terme désigne les instructions qui, faute d'être respectées, risqueraient de provoquer des blessures lors de l'utilisation de la machine, ou d'endommager la machine et les objets environnants.</p>
----------------------------------------------------------------------------------------------------	-------------------------------------------------------------------------------------------------------------------------------------------------------------------------------------------------------------

Symboles

 Ce symbole (\triangle) indique la chose à laquelle vous devez faire attention. L'image contenue dans le triangle indique la nature de la précaution à prendre.
(Par exemple, le symbole à gauche signifie "Risque de blessures".)












 Ce symbole (\otimes) indique une chose que vous ne devez pas faire.

 Ce symbole (\bullet) indique une chose que vous devez faire. L'image contenue dans le cercle indique la nature de la chose à effectuer.
(Par exemple, le symbole à gauche signifie "Vous devez effectuer le branchement de terre".)

2 Remarques concernant la sécurité

ATTENTION

Installation

- | | |
|---------------------------------------------------------------------------------------------------------------------------------------------------------------------------------------------------------------------------------------------------------------------------------------------------------------------------------------------------------------------------------------------------------------------------------------------------------------------------------------------------------------------------------------------------------------------------------------------------------------------------------------------------------------------------------------------------------------------------------------------------------------------------------------------------------------------------------------------------------------------------------------------------------------------------------------------------------------------------------------------------------------------------------------------------------------------------------------------------------------------------------------------------------------------------------------------------------------------------------------------------------------------------------------------------------------------------------------------------------------------------------------------------------------------------------------------------------------------------------------------------------------------------------------------------------------------------------------------------------------------------------------------------------------------|------------------------------------------------------------------------------------------------------------------------------------------------------------------------------------------------------------------------------------------------------------------------------------------------------------------------------------------------------------------------------------------------------------------------------------------------------------------------------------------------------------------------------------------------------------------------------------------------------------------------------------------------------------------------------------------------------------------------------------------------------------------------------------------------------------------------------------------------------------------------------------------------------------------------------------------------------------------------------------------------------------------------------------------------------------------------------------------------------------------------------------------------------------------------------------------------------------------------------------------------------------------------------------------------------|
| <ul style="list-style-type: none">  • L'installation de la machine doit être confiée exclusivement à un personnel qualifié.  • S'adresser à votre revendeur Brother ou à un électricien qualifié pour effectuer toute réparation éventuelle du système électrique.  • La machine à coudre pèse plus de 49 kg. L'installation nécessite donc le concours de deux personnes ou plus.  • Ne pas brancher le cordon d'alimentation avant d'avoir complètement terminé l'installation, sinon la machine risquera de se mettre en marche si on relâche la pédale par erreur, et on risquera alors de se blesser.  • Veiller à bien brancher la machine à la terre. Si le branchement de terre est mal fait, il y aura risque d'électrocution grave.  • Tous les câbles doivent être fixés à au moins 25 mm des parties mobiles. De plus, ne pas plier excessivement les câbles ni les fixer trop fermement avec des agrafes, sinon on risquera de provoquer un choc électrique ou un incendie.  | <ul style="list-style-type: none">  • Installer les couvercles de courroie sur la tête de machine et sur le moteur.  • Si on utilise une table de travail équipée de roulettes, il faut veiller à fixer les roulettes de manière qu'elles soient parfaitement immobilisées.  • Veiller à mettre des lunettes et des gants de protection lors de la manipulation d'huile lubrifiante, afin de préserver les yeux et la peau de tout contact avec l'huile, et d'éviter tout risque d'inflammation.
De plus, l'ingestion de l'huile est à proscrire absolument, car elle pourrait causer des vomissements et des diarrhées.
Ranger l'huile hors de portée des enfants.  • Eviter d'installer la machine près de sources de bruit électrique intense, telles que des appareils de soudure haute fréquence.
Si on n'observe pas cette précaution, une anomalie de fonctionnement risque de s'en-suivre. |
|---------------------------------------------------------------------------------------------------------------------------------------------------------------------------------------------------------------------------------------------------------------------------------------------------------------------------------------------------------------------------------------------------------------------------------------------------------------------------------------------------------------------------------------------------------------------------------------------------------------------------------------------------------------------------------------------------------------------------------------------------------------------------------------------------------------------------------------------------------------------------------------------------------------------------------------------------------------------------------------------------------------------------------------------------------------------------------------------------------------------------------------------------------------------------------------------------------------------------------------------------------------------------------------------------------------------------------------------------------------------------------------------------------------------------------------------------------------------------------------------------------------------------------------------------------------------------------------------------------------------------------------------------------------------|------------------------------------------------------------------------------------------------------------------------------------------------------------------------------------------------------------------------------------------------------------------------------------------------------------------------------------------------------------------------------------------------------------------------------------------------------------------------------------------------------------------------------------------------------------------------------------------------------------------------------------------------------------------------------------------------------------------------------------------------------------------------------------------------------------------------------------------------------------------------------------------------------------------------------------------------------------------------------------------------------------------------------------------------------------------------------------------------------------------------------------------------------------------------------------------------------------------------------------------------------------------------------------------------------|

ATTENTION

Couture



• Cette machine à coudre doit être utilisée seulement par des opérateurs qui ont préalablement reçu la formation nécessaire à l'utilisation sûre de la machine.



• Cette machine ne doit pas être utilisée pour d'autres usages que la couture.



• Mettre l'interrupteur d'alimentation sur la position d'arrêt aux moments suivants, sinon la machine risquera de se mettre en marche si on relâche la pédale par erreur, et on risquera alors de se blesser.

- Lors de l'enfilage
- Lors du remplacement de l'aiguille
- Lorsqu'on n'utilise pas la machine et lorsqu'on laisse la machine sans surveillance



• Si on utilise une table de travail équipée de roulettes, il faut veiller à fixer les roulettes de manière qu'elles soient parfaitement immobilisées.



• Fixer tous les dispositifs de sécurité avant d'utiliser la machine à coudre. Si on utilise la machine sans avoir d'abord fixé ces dispositifs, on risquera de se blesser.



• Ne toucher aucune des parties mobiles, et ne pas presser d'objets contre la machine pendant la couture, car ceci pourrait causer des blessures ou endommager la machine.



• Pour les machines équipées d'un releveur de pied presseur automatique, ne pas toucher la section du solénoïde, sinon on risquera de se brûler.



• Si une anomalie de fonctionnement se produit, ou si on remarque des bruits ou des odeurs anormaux, mettre immédiatement l'interrupteur d'alimentation en position d'arrêt. S'adresser ensuite à un concessionnaire Brother ou à un technicien qualifié.



• En cas d'anomalie de fonctionnement, s'adresser à un concessionnaire Brother ou à un technicien qualifié.

Nettoyage



• Mettre l'interrupteur d'alimentation sur la position d'arrêt avant d'entreprendre les travaux de nettoyage. La machine risquera de se mettre en marche si on relâche la pédale par erreur, et on risquera alors de se blesser.



• Si on utilise une table de travail équipée de roulettes, il faut veiller à fixer les roulettes de manière qu'elles soient parfaitement immobilisées.



• Veiller à mettre des lunettes et des gants de protection lors de la manipulation d'huile lubrifiante, afin de préserver les yeux et la peau de tout contact avec l'huile, et d'éviter tout risque d'inflammation.

De plus, l'ingestion de l'huile est à proscrire absolument, car elle pourrait causer des vomissements et des diarrhées.

Ranger l'huile hors de portée des enfants.

Entretien et vérification



• L'entretien et la vérification de la machine à coudre doivent être confiés exclusivement à un technicien qualifié.



• S'adresser à un concessionnaire Brother ou à un électricien qualifié pour effectuer des travaux d'entretien ou de vérification du système électrique.



• Mettre l'interrupteur d'alimentation sur la position d'arrêt et débrancher le cordon d'alimentation de la prise murale aux moments suivants, sinon la machine risquera de se mettre en marche si on relâche la pédale par erreur, et on risquera alors de se blesser.

- Lorsqu'on effectue des travaux de vérification, de réglages ou d'entretien.
- Lors du remplacement des accessoires tels que les boucleurs et le couteau.



• Débrancher les tuyaux d'air de l'alimentation d'air et attendre que l'aiguille de la jauge de pression soit descendue jusqu'à "0" avant d'entreprendre les vérifications, les réglages ou les réparations de pièces utilisant l'équipement pneumatique.



• Si on utilise une table de travail équipée de roulettes, il faut veiller à fixer les roulettes de manière qu'elles soient parfaitement immobilisées.



• Si l'on veut laisser l'interrupteur d'alimentation et l'alimentation d'air sur la position de marche pendant qu'on effectue des réglages, veiller à respecter rigoureusement toutes les consignes de précaution.



• Utiliser seulement les pièces de rechange recommandées par Brother.



• Si des dispositifs de sécurité ont été déposés, veiller absolument à les remettre à leur place initiale et vérifier qu'ils fonctionnent correctement avant d'utiliser la machine.



• Toute anomalie de fonctionnement de la machine résultant de transformations non autorisées de la machine ne sera pas couverte par la garantie.

Muchas gracias por haber adquirido una máquina de coser BROTHER. Antes de usar su nueva máquina, por favor lea las instrucciones de seguridad a continuación y las explicaciones en este manual.


Al usar máquinas de coser industriales, es normal trabajar ubicado directamente delante de piezas móviles como la aguja y la palanca del tirahilos, y por consiguiente siempre existe peligro de sufrir heridas ocasionadas por estas partes. Siga las instrucciones para entrenamiento del personal y las instrucciones de seguridad y funcionamiento correcto antes de usar la máquina de manera de usarla correctamente.

INSTRUCCIONES DE SEGURIDAD




1 Indicaciones de seguridad y sus significados

Las indicaciones y símbolos usados en este manual de instrucciones y en la misma máquina son para asegurar el funcionamiento seguro de la máquina y para evitar accidentes y heridas. El significado de estas indicaciones y símbolos se indica a continuación.













Indicaciones

 ATENCIÓN	Las instrucciones a continuación de este término representan situaciones en las cuales el no respetar las instrucciones podría causar heridas durante el uso de la máquina o podrían dañar la máquina y otros objetos a su alrededor.
---------------------------------------------------------------------------------------------------	---------------------------------------------------------------------------------------------------------------------------------------------------------------------------------------------------------------------------------------

Símbolos

-  Este símbolo (△) indica algo con lo que usted debe tener cuidado. Esta figura dentro del triángulo indica la naturaleza de la precaución que se debe tener.
(Por ejemplo, el símbolo a la izquierda significa "cuidado puede resultar herido".)
-  Este símbolo (⊘) indica algo que no de hacer.
-  Este símbolo (●) indica algo que debe hacer. La figura dentro del círculo indica la naturaleza de la acción a realizar.
(Por ejemplo, el símbolo a la izquierda significa "debe hacer la conexión a tierra".)

2 Notas sobre seguridad

 ATENCIÓN	
Instalación	
<ul style="list-style-type: none">  • La máquina debe ser instalada sólo por personal especializado.  • Consultar a su distribuidor Brother o un electricista calificado por cualquier trabajo de electricidad que se debiera realizar.  • La máquina de coser pesa más de 49 kg. La instalación debe ser realizada por dos o más personas.  • No conectar el cable de alimentación hasta haber completado la instalación, de lo contrario la máquina podría comenzar a funcionar si por descuido se pisara el pedal, lo que podría resultar en heridas.  • Asegurarse de hacer la conexión a tierra. Si la conexión a tierra no fuera segura, se corre el peligro de sufrir golpes eléctricos serios.  • Todos los cables deben mantenerse al menos a 25 mm de las piezas móviles. Además, no se deben doblar demasiado los cables o apretarlos demasiado con grapas, de lo contrario existe el peligro de que ocurra un incendio o golpes eléctricos.  	<ul style="list-style-type: none">  • Instalar las cubiertas de correas en la cabeza de la máquina y el motor.  • Si se usa una mesa de trabajo con ruedas, las ruedas deben estar trancadas de manera que no se puedan mover.  • Asegurarse de usar anteojos de seguridad y guantes al manipular aceites lubricantes, de manera que el aceite lubricante no salpique sus ojos o la piel, de lo contrario podrían resultar inflamados. Además, bajo ningún concepto beba aceite lubricante pues podría ocasionar vómitos y diarrea. Mantener el aceite lubricante lejos del alcance de los niños.  • Evitar instalar la máquina de coser próxima a fuentes de ruidos eléctricos fuertes como equipos de soldadura de alta frecuencia. Si no se tienen en cuenta estas precauciones, la máquina podría funcionar mal.

ATENCION

Costura



• Sólo operarios que hayan sido entrenados especialmente deben usar esta máquina de coser.



• La máquina de coser no debe ser usada para otro uso que no sea coser.



• Desconectar el interruptor principal en los siguientes casos, de lo contrario la máquina podría comenzar a funcionar si por descuido se pisara el pedal, lo que podría resultar en heridas.

- Al enhebrar
- Al cambiar la aguja
- Al no usar la máquina y alejarse de ella dejándola sin cuidado



• Si se usa una mesa de trabajo con ruedas, las ruedas deben estar trancadas de manera que no se puedan mover.



• Instalar todos los dispositivos de seguridad antes de usar la máquina de coser. Si la máquina de coser se usa sin los dispositivos de seguridad podría resultar herido.



• No tocar ninguna de las piezas móviles o presionar ningún objeto contra la máquina al coser, pues podría resultar en heridas o la máquina podría resultar dañada.



• Para máquinas con levantador automático de prensatelas, no tocar la sección del solenoide, de lo contrario se podría quemar.



• Si se comete un error al usar la máquina, o si se escuchan ruidos extraños o se sienten olores extraños, desconectar inmediatamente el interruptor principal. Luego consultar al distribuidor Brother más cercano o a un técnico calificado.



• Si la máquina no funcionara correctamente, consultar al distribuidor Brother más cercano o a un técnico calificado.

Limpieza



• Desconectar el interruptor principal antes de comenzar cualquier trabajo de limpieza. La máquina podría comenzar a funcionar si por descuido se pisara el pedal, lo que podría resultar en heridas.



• Si se usa una mesa de trabajo con ruedas, las ruedas deben estar trancadas de manera que no se puedan mover.



• Asegurarse de usar anteojos de seguridad y guantes al manipular aceites lubricantes, de manera que el aceite lubricante no salpique sus ojos o la piel, de lo contrario podrían resultar inflamados.

Además, bajo ningún concepto beba aceite lubricante pues podría ocasionar vómitos y diarrea.

Mantener el aceite lubricante lejos del alcance de los niños.

Mantenimiento e inspección



• El mantenimiento y la inspección de la máquina debe ser realizado sólo por un técnico calificado.



• Consultar a su distribuidor Brother o un electricista calificado por cualquier trabajo de mantenimiento e inspección eléctrica que se debiera realizar.



• Desconectar el interruptor principal y desenchufar el cable de alimentación del tomacorriente en la pared en los siguientes casos, de lo contrario la máquina podría comenzar a funcionar si por descuido se pisara el pedal, lo que podría resultar en heridas.

- Al inspeccionar, ajustar o realizar el mantenimiento
- Al cambiar piezas como el formador del ojo-guía y la cuchilla



• Desconectar las mangueras de aire de la alimentación de aire y espere que la aguja del indicador de presión baje a "0" antes de realizar la inspección, ajuste y reparación de cualquier de las partes que usan el equipo neumático.



• Si se usa una mesa de trabajo con ruedas, las ruedas deben estar trancadas de manera que no se puedan mover.



• Si el interruptor principal y el aire deben de quedar activados mientras se realiza un ajuste, tenga mucho cuidado en tener en cuenta todas las precauciones de seguridad.



• Usar sólo las piezas de repuesto especificadas por Brother.



• Si se hubieran desmontado alguno de los dispositivos de seguridad, asegurarse de volver a instalarlos a su posición original y verificar que funcionan correctamente antes de usar la máquina.

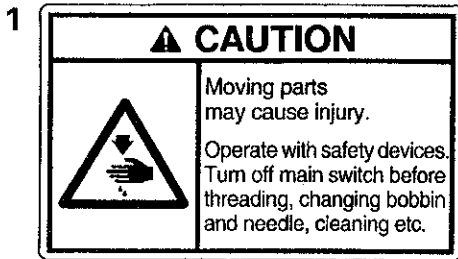


• Los problemas que resultaran de modificaciones no autorizadas en la máquina no serán cubiertos por la garantía.

3 Warning labels
3 Warnschilder

3 Etiquettes d'avertissement
3 Etiquetas de advertencia

- ★ The following warning labels appear on the sewing machine. Please follow the instructions on the labels at all times when using the machine. If the labels have been removed or are difficult to read, please contact your nearest Brother dealer.
- ★ An der Nähmaschine sind die folgenden Warnschilder angebracht. Falls Schilder entfernt wurden oder unleserlich geworden sind, wenden Sie sich an den nächsten Brother-Händler.
- ★ Les étiquettes d'avertissement suivantes sont fixées sur la machine à coudre. Veiller à suivre les instructions figurant sur les étiquettes à tout moment lors de l'utilisation de la machine. Si les étiquettes ont été retirées ou si elles sont difficiles à lire, contacter un concessionnaire Brother.
- ★ Las siguientes etiquetas de advertencia se encuentran en la máquina. Se deben tener en cuenta las instrucciones en las etiquetas en todo momento que se usa la máquina. Si las etiquetas fueron despegadas o no se pueden leer claramente, consultar al distribuidor Brother más cercano.



ACHTUNG

Verletzungsgefahr durch sich bewegende Teile!
 Die Maschine darf nur mit angebrachten Sicherheitsvorrichtungen in Betrieb genommen werden. Zum Einfädeln, Spulen- und Nadelwechseln, Reinigen usw. muß der Hauptschalter ausgeschaltet werden.

ATTENTION

Les parties mobiles risquent de provoquer des blessures.
 Utiliser la machine équipée de ses dispositifs de sécurité. Mettre l'interrupteur principal sur la position d'arrêt avant d'entreprendre l'enfilage, le changement de la canette et de l'aiguille, le nettoyage, etc.

ATENCION

Las piezas móviles pueden provocar heridas.
 Trabajar con dispositivos de seguridad. Desconectar el interruptor principal antes de enhebrar la aguja, cambiar la bobina y la aguja, limpiar, etc.

Safety devices

- 1 Needle thread take-up cover
- 2 Eye guard
- 3 Needle bar take-up cover
- 4 Finger guard
- 5 Belt cover, etc.

Sicherheitsvorrichtungen

- 1 Oberfadenabnahmeabdeckung
- 2 Augenschutz
- 3 Nadelstangenabnahmeabdeckung
- 4 Fingerschutz
- 5 Riemenschutz, usw.

Dispositifs de sécurité

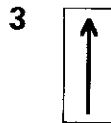
- 1 Couvercle du releveur de fil d'aiguille
- 2 Garde-chas
- 3 Couvercle du releveur de barre à aiguille
- 4 Garde-doigts
- 5 Couvercle de courroie, etc.

Dispositivos de seguridad

- 1 Cubierta del tirahilos de aguja
- 2 Protector de ojos
- 3 Cubierta del tirahilos de la barra de agujas
- 4 Protector de dedos
- 5 Cubierta de la correa, etc.

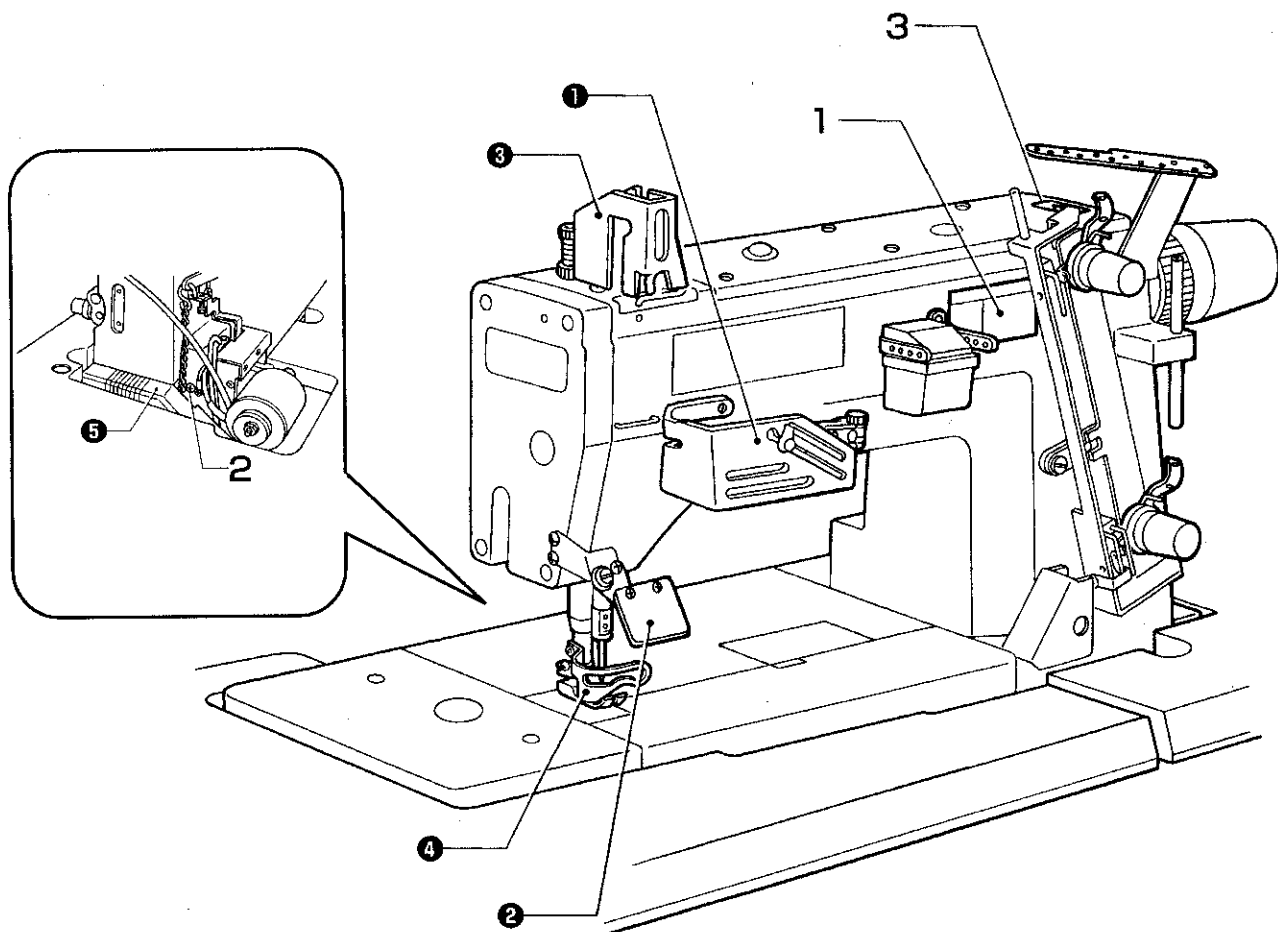


- Be sure to connect the ground. If the ground connection is not secure, you run the risk of receiving a serious electric shock.
- Erden Sie die Maschine unbedingt. Bei falsch geerdeter Maschine besteht die Gefahr eines elektrischen Schlages.
- Veiller à bien brancher la machine à la terre. Si le branchement de terre est mal fait, il y aura risque d'électrocution grave.
- Asegurarse de hacer la conexión a tierra. Si la conexión a tierra no fuera segura, se corre el peligro de sufrir golpes eléctricos serios.

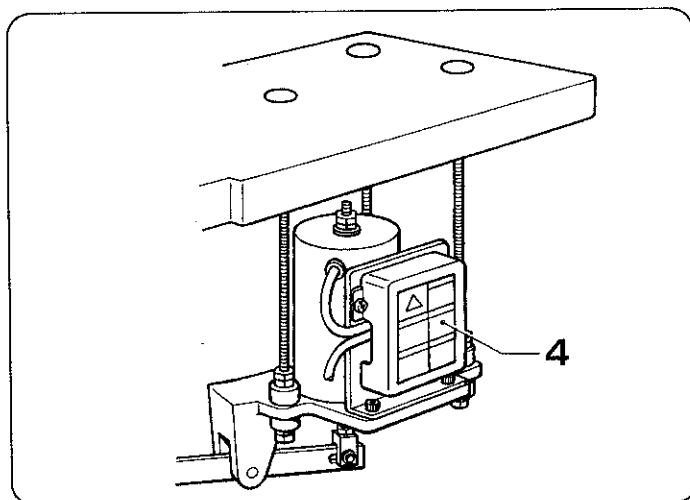


- Direction of operation
- Drehrichtung
- Sens de fonctionnement
- Sentido de uso





- Solenoid-type presser foot lifter
- Solenoid-Stoffdrückerfußheber
- Releveur de presseur à solénoïde
- Elevador de prensatelas de tipo solenoide



CONTENTS

1. NAMES OF MAJOR PARTS	1
2. MACHINE SPECIFICATIONS	3
3. OPTIONAL PARTS	5
5. INSTALLATION	7
5-1. Processing the work table	8
5-2. Installing the machine head support	13
5-3. Installing the belt cover	14
5-4. Installing the machine head	15
5-5. Installing the presser lifter pedal (When not using an automatic presser foot lifter)	16
5-6. Installing the cotton stand	16
5-7. Installing the solenoid-type presser foot lifter (UT13, option)	17
5-8. Installing the air unit assembly (UT21, UT23) ..	20
5-9. Installing the pneumatic-type presser foot lifter (UT23, option)	21
5-10. Adjusting the air pressure	22
5-11. Lubrication	23
5-12. Checking the machine pulley rotating direction ..	25
5-13. Checking the needle up stop position	26
6. PREPARATION BEFORE SEWING	27
6-1. Needles	27
6-2. Installing the needle	27
6-3. Threading	28
6-4. Using the needle thread cooler	33
6-5. Adjusting the stitch length	33
6-6. Locking the stitch length setting	35
6-7. Adjusting the differential feed ratio (OD2 - 0) ..	36
7. SEWING	37
7-1. Sewing speed	38
7-2. Sewing	38
8. ADJUSTING THE THREAD TENSION	40
8-1. Thread tension	40
8-1-1. Adjusting the needle thread tension	40
8-1-2. Adjusting the looper thread tension	41
8-1-3. Using the needle thread guard	42
8-1-4. Needle thread take-up position	43
8-1-5. Middle thread guide position	44
8-1-6. Looper thread take-up thread guide position	44
8-1-7. Looper thread take-up position	45
8-1-8. Looper thread guide F and thread guide positions	46
8-1-9. Looper thread guide R position (If looper thread has snapped during thread trimming)	47
8-2. Adjusting the presser foot pressure	49
9. CLEANING	50
9-1. Daily cleaning procedures	50
9-2. Changing the lubrication oil (every three months) ..	52
9-3. Replacing the oil filter (every six months)	53
10. Replacing the upper knife and lower knife	54
11. STANDARD ADJUSTMENTS	56
11-1. Removing parts which need to be removed before adjustment	57
11-1-1. Presser foot	57
11-1-2. Feed dog	58
11-1-3. Cloth plate R, thread trimming unit and bed upper cover	59
11-2. Adjusting the machine head	60
11-2-1. Adjusting the height of the needle bar	60
11-2-2. Needle and looper positions	61
11-2-3. Adjusting the needle and looper timing ..	63
11-2-4. Adjusting the rear needle guard	64
11-2-5. Needle and rear needle guard timing ..	66
11-2-6. Adjusting the feed dog height	67
11-2-7. Adjusting the feed dog angle	69
11-2-8. Adjusting the presser foot height	71
11-2-9. Needle and looper forward/back movement timing	72
11-2-10. Adjusting the forward-backward stroke of the looper	73
11-3. Adjusting the thread trimmer	75
11-3-1. Adjusting the upper knife, lower knife and thread clamp spring positions	75
11-3-2. Adjusting the meshing amount of the upper knife and lower knife	78
11-3-3. Adjusting the thread clamp spring pressure	79
11-3-4. Adjusting the thread trimming Solenoid stroke (Models with solenoid- type thread trimmer)	80
11-3-5. Adjusting the lower knife and looper positions	81
11-3-6. Adjusting the lower knife and needle positions	82
11-3-7. Adjusting the upper knife stopper	83
11-3-8. Adjusting the looper and thread clamp spring height	84
11-3-9. Adjusting the speed controllers (Models with pneumatic-type thread trimmer) ..	85
11-3-10. Adjusting the safety switch	86
11-4. Adjusting the tension release assembly	87
11-4-1. Adjusting the tension release arm	87
11-4-2. Adjusting the thread take-up shaft	88
11-5. Adjusting the synchronizer	89
11-6. Adjusting the pneumatic-type presser foot lifter (UT23, option)	92
11-7. Connection of each cord	93
12. INSTALLING OPTIONAL PARTS	94
12-1. Pneumatic-type presser foot lifter	94
12-2. Solenoid-type presser foot lifter	95
12-3. Knee switch	95
12-4. Solenoid-type thread wiper	96
12-4-1. Installation	96
12-4-2. Adjusting the thread wiper	98
12-5. Pneumatic-type thread wiper	103
12-5-1. Installation	103
12-5-2. Adjusting the thread wiper	105
12-6. Feeding presser foot (012-0)	107
12-7. Narrow pitch feed dog (012-0)	112
13. TIMING BELT REPLACEMENT	113
14. TROUBLESHOOTING	117
14-1. Machine head	117
14-2. Thread trimmer	120

INHALT

1. HAUPTTEILE	1	11-1-1. Stoffdrückerfuß	57
2. TECHNISCHE DATEN	3	11-1-2. Transporteure	58
3. SONDERZUBEHÖRTEILE	5	11-1-3. Stoffplatte R, Fadenabschneidereinheit und obere Abdeckung	59
5. MONTAGE	7	11-2. Einstellen des Maschinenoberteils	60
5-1. Vorbereiten des Nähtisches	8	11-2-1. Einstellung der Nadelstangenhöhe	60
5-2. Montage der Maschinenoberteilstützplatten	13	11-2-2. Nadel- und Greiferposition	61
5-3. Montage des Riemenschutzes	14	11-2-3. Einstellen der Nadel- und Greifersyn- chronisation	63
5-4. Montage des Maschinenoberteils	15	11-2-4. Einstellung des hinteren Nadelschutzes ..	64
5-5. Montage des Stoffdrückerfußpedals (Wenn kein automatischer Stoffdrückerfußheber verwendet wird)	16	11-2-5. Synchronisation zwischen Nadel und hinterem Nadelschutz	66
5-6. Montage des Spulenträgers	16	11-2-6. Einstellen der Transporteurhöhe	67
5-7. Montage des Solenoid-Stoffdrückerfußhebers (UT13, Sonderausrüstung)	17	11-2-7. Einstellen des Transporteurneigung ...	69
5-8. Montage der Drucklufteinheit (UT21, UT23)	20	11-2-8. Einstellen der Stoffdrückerfußhöhe	71
5-9. Montage des pneumatischen Stoffdrückerfuß- hebers (UT23, Sonderausrüstung)	21	11-2-9. Synchronisation zwischen Nadel und Greifer in Vor/Rückwärtsrichtung	72
5-10. Einstellen des Luftdrucks	22	11-2-10. Einstellen des Vor/Rückwärtshubs des Greifers	73
5-11. Schmierung	23	11-3. Einstellen des Fadenabschneiders	75
5-12. Kontrolle der Nähmaschinen-Riemenscheiben- drehrichtung	25	11-3-1. Einstellen des oberen und unteren Messers und der Fadengreiferfeder- position.	75
5-13. Kontrolle der oberen Nadelstopposition	26	11-3-2. Einstellen des Eingriffs zwischen oberem und unterem Messer	78
6. VORBEREITUNGEN ZUM NÄHEN	27	11-3-3. Einstellen der Fadengreiferfederkraft	79
6-1. Nadeln	27	11-3-4. Einstellen des Hubs des Fadenabschnei- dersolenoids (Maschinen mit Solenoid- Fadenabschneider)	80
6-2. Einsetzen der Nadel	27	11-3-5. Einstellen der unteren Messer-und der Greiferposition	81
6-3. Einfädeln	28	11-3-6. Einstellen der unteren Messer-und der Nadelposition	82
6-4. Verwendung des Oberfadenkühlers	33	11-3-7. Einstellen des Obermesseranschlags	83
6-5. Einstellen der Stichlänge	33	11-3-8. Einstellen des Greifers und der Fadengreiferfederhöhe	84
6-6. Verriegeln der Stichlängeneinstellung	35	11-3-9. Einstellen der Geschwindigkeitsregler (Maschinen mit pneumatischem Fadenabschneider)	85
6-7. Einstellen des Differentialtransports (0D2 - 0)	36	11-3-10. Einstellen des Sicherheitsschalters	86
7. HÄHEN	37	11-4. Einstellen der Spannungsverminderung- svorrichtung	87
7-1. Nähgeschwindigkeit	38	11-4-1. Einstellen des Spannungsvermin- derungsarms	87
7-2. Nähen	38	11-4-2. Einstellen der Fadenabnahmewelle	88
8. EINSTELLEN DER FADENSPIGUNG	40	11-5. Einstellen des Synchronisators	89
8-1. Fadenspannung	40	11-6. Einstellen des pneumatischen Stoffdrückerfuß- hebers (UT23, Sonderausrüstung)	92
8-1-1. Einstellen der Oberfadenspannung	40	11-7. Anschließen der Kabel	93
8-1-2. Einstellen der Unterfadenspannung	41	12. ANBRINGEN VON ZUBEHÖRTEILEN	94
8-1-3. Verwendung des Oberfadenschutzes	42	12-1. Pneumatischer Stoffdrückerfußheber	94
8-1-4. Oberfadenabnahme-position	43	12-2. Solenoid-stoffdrückerfußheber	95
8-1-5. Position der mittleren Fadenführung	44	12-3. Knieschalters	95
8-1-6. Position der Unterfadenabnahm- eführung	44	12-4. Solenoid Fadenwischer	96
8-1-7. Position der Unterfadenabnahme	45	12-4-1. Einbau	96
8-1-8. Position der Unterfadenführung F und der Fadenführung	46	12-4-2. Einstellen des Fadenwischers	98
8-1-9. Position der Unterfadenführung R (Falls sich der Faden beim Abschneiden gelöst hat)	47	12-5. Pneumatischer Fadenwischer	103
8-2. Einstellen des Stoffdrückerfußdrucks	49	12-5-1. Montage	103
9. REINIGUNG	50	12-5-2. Einstellen des Fadenwischers	105
9-1. Tägliche Reinigung	50	12-6. Transport-Stoffdrückerfußes (012-0)	107
9-2. Wechseln des Öls (alle 3 Monate)	52	12-7. Transporteurs für enge Stiche (012-0)	112
9-3. Auswechseln des Ölfilters (alle 6 Monate)	53	13. AUSTAUSCH DES SYNCHRONRIEMENS	113
10. Ersetzen des oberen und unteren Messers	54	14. FEHLERSUCHE	122
11. STANDARDEINSTELLUNGEN	56	14-1. Nähmaschinenoberteil	122
11-1. Ausbau von Teilen zum Vornehmen der Einstellungen	57	14-2. Fadenabschneider	125

TABLE DES MATIERES

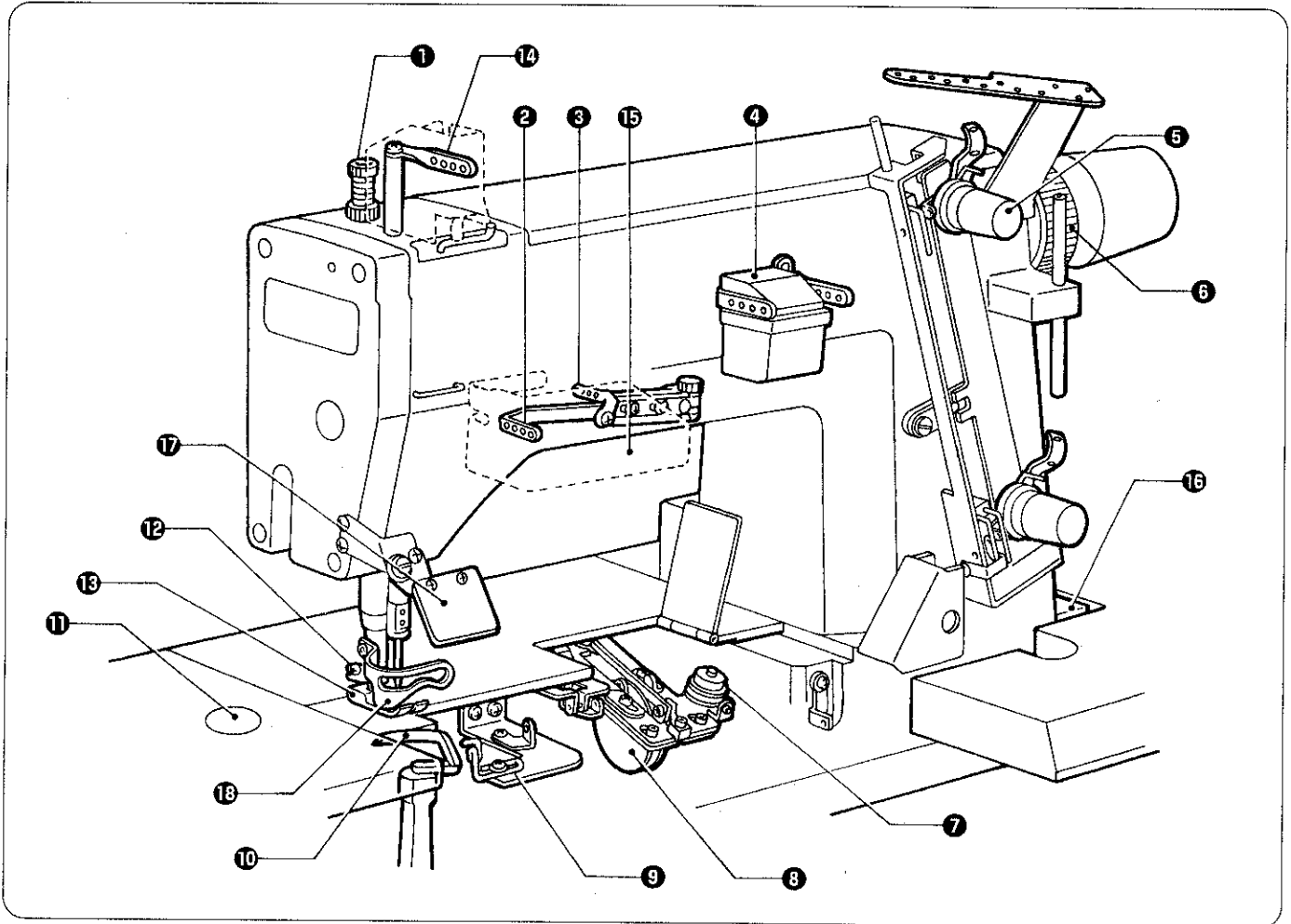
1. NOM DES PIÈCES PRINCIPALES	1	11-1. Dépose des pièces devant être retirées avant le réglage	57
2. SPECIFICATIONS DE LA MACHINE	3	11-1-1. Pied presseur	57
3. PIÈCES EN OPTION	5	11-1-2. Griffes d'entraînement	58
5. INSTALLATION	7	11-1-3. Plaque à tissu R, unité de coupe-fils et couvercle supérieur de plateau	59
5-1. Traitement de la table de travail	8	11-2. Réglage de la tête de machine	60
5-2. Installation du support de tête de machine	13	11-2-1. Réglage de la hauteur de la barre à aiguille	60
5-3. Installation du couvercle de courroie	14	11-2-2. Positions de l'aiguille et du boucleur	61
5-4. Installation de la tête de machine	15	11-2-3. Réglage de la synchronisation de l'aiguille et du boucleur	63
5-5. Installation de la pédale du relève-presseur (Lorsqu'on n'utilise pas un releveur de pied presseur à solénoïde)	16	11-2-4. Réglage du protège-aiguille arrière	64
5-6. Installation de la broche porte-bobine	16	11-2-5. Synchronisation de l'aiguille et du protège-aiguille arrière	66
5-7. Installation du releveur de pied presseur à solénoïde (UT13, option)	17	11-2-6. Réglage de la hauteur de la griffe d'entraînement	67
5-8. Installation de l'unité pneumatique (UT21, UT23)	20	11-2-7. Réglage de l'angle de la griffe d'entraînement	69
5-9. Installation du releveur de presseur pneumatique (UT23, option)	21	11-2-8. Réglage de la hauteur du pied presseur	71
5-10. Réglage de la pression d'air	22	11-2-9. Synchronisation du mouvement avant/arrière de l'aiguille et du boucleur	72
5-11. Lubrification	23	11-2-10. Réglage de la course avant/arrière du boucleur	74
5-12. Vérification du sens de rotation de la poulie de machine	25	11-3. Réglage du coupe-fils	75
5-13. Vérification de la position d'arrêt supérieur de l'aiguille	26	11-3-1. Réglage des positions du couteau supérieur, du couteau inférieur et du ressort de pince-fil	75
6. PRÉPARATIFS AVANT LA COUTURE	27	11-3-2. Réglage de la quantité de chevauchement du couteau supérieur et du couteau inférieur	78
6-1. Aiguilles	27	11-3-3. Réglage de la compression du ressort de pince-fil	79
6-2. Installation de l'aiguille	27	11-3-4. Réglage de la course du solénoïde coupe-fils (Modèles avec coupe-fils à solénoïde)	80
6-3. Enfilage	28	11-3-5. Réglage des positions de couteau inférieur et de boucleur	81
6-4. Utilisation du refroidisseur de fil d'aiguille	33	11-3-6. Réglage des positions de couteau inférieur et d'aiguille	82
6-5. Réglage de la longueur de point	33	11-3-7. Réglage de la butée de couteau supérieur	83
6-6. Verrouillage du réglage de longueur de point	35	11-3-8. Réglage du boucleur et de la hauteur du ressort de pince-fil	84
6-7. Réglage du rapport d'entraînement différentiel (OD2-0)	36	11-3-9. Réglage des dispositifs de contrôle de vitesse (Modèles à coupe-fils pneumatique)	85
7. COUTURE	37	11-3-10. Réglage de l'interrupteur de sécurité	86
7-1. Vitesse de couture	38	11-4. Réglage du dispositif de relâche-tension	87
7-2. Couture	38	11-4-1. Réglage du bras de relâche-tension	87
8. REGLAGE DE LA TENSION DU FIL	40	11-4-2. Réglage de la broche du releveur de fil	88
8-1. Tension du fil	40	11-5. Réglage du synchroniseur	89
8-1-1. Réglage de la tension du fil d'aiguille	40	11-6. Réglage du releveur de presseur pneumatique (UT23, option)	92
8-1-2. Réglage de la tension du fil de boucleur	41	11-7. Raccordement des câbles	93
8-1-3. Utilisation du protège-fil d'aiguille	43	12. INSTALLATION DES PIÈCES EN OPTION	94
8-1-4. Position du releveur de fil d'aiguille	43	12-1. Releveur de presseur pneumatique	94
8-1-5. Position du guide du fil central	44	12-2. Releveur de presseur à solénoïde	95
8-1-6. Position du guide du fil du releveur de fil de boucleur	44	12-3. Interrupteur au genou	95
8-1-7. Position du releveur de fil de boucleur	45	12-4. Tire-fils à solénoïde	96
8-1-8. Positions du guide F de fil de boucleur et du guide de fil	46	12-4-1. Installation	96
8-1-9. Position du guide de fil de boucleur R (Si le fil de boucleur s'est cassé pendant la coupe du fil)	47	12-4-2. Réglage du tire-fils	98
8-2. Réglage de la pression du pied presseur	49	12-5. Tire-fils pneumatique	103
9. NETTOYAGE	50	12-5-1. Installation	103
9-1. Méthodes de nettoyage quotidien	50	12-5-2. Réglage du tire-fils	105
9-2. Changement de l'huile lubrifiante (tous les trois mois)	52	12-6. Pied presseur d'entraînement (012-0)	107
9-3. Remplacement du filtre à huile (tous les six mois)	53	12-7. Griffes d'entraînement à faible hauteur (012-0)	112
10. Remplacement du couteau supérieur et du couteau inférieur	54	13. REMPLACEMENT DE LA COURROIE DE SYNCHRONISATION	113
11. REGLAGES STANDARD	56	14. RESOLUTION DES PROBLÈMES	127
		14-1. Tête de machine	127
		14-2. Coupe-fils	130

CONTENIDO

1. NOMBRES DE LAS PIEZAS PRINCIPALES	1	11. AJUSTES ESTANDARES	56
2. ESPECIFICACIONES DE LA MAQUINA	3	11-1. Desmontar las partes que deben ser desmontadas	
3. PARTES OPCIONALES	5	antes de ajustar	57
5. INSTALACION	7	11-1-1. Prensateles	57
5-1. Preparación de la mesa de trabajo	8	11-1-2. Alimentador	58
5-2. Instalación del soporte de la cabeza de la máquina	13	11-1-3. Placa de tela R, cortahilos y cubierta superior de la cama	59
5-3. Instalación de la cubierta de la correa	14	11-2. Ajuste de la cabeza de la máquina	60
5-4. Instalación de la cabeza de la máquina	15	11-2-1. Ajuste de la altura de la barra de agujas	60
5-5. Instalación del pedal levantador del prensateles (Cuando no se use un levantador de prensateles automático)	16	11-2-2. Posiciones de la aguja y el ojo-guía	61
5-6. Instalación del soporte del carrete	16	11-2-3. Ajuste de la sincronización de la aguja y el ojo-guía	63
5-7. Instalación del levantador del prensateles de tipo solenoide (UT13, opción)	17	11-2-4. Ajuste del protector trasero de agujas	64
5-8. Instalación del conjunto de la unidad neumática (UT21, UT23)	20	11-2-5. Sincronización del protector trasero de agujas y la aguja	66
5-9. Instalación de elevador de prensateles de tipo neumático (UT23, opción)	21	11-2-6. Ajuste de la altura del alimentador	67
5-10. Ajuste de la presión de aire	22	11-2-7. Ajustar el ángulo del alimentador	69
5-11. Lubricación	23	11-2-8. Ajuste de la altura del prensateles	71
5-12. Verificación de la dirección de rotación de la polea de la máquina	25	11-2-9. Sincronización del movimiento hacia adelante/atrás de la aguja y el ojo-guía ...	72
5-13. Verificación de la posición de parada con la aguja levantada	26	11-2-10. Ajuste del recorrido hacia adelante y atrás del ojo-guía	74
6. PREPARATIVOS ANTES DE COSER	27	11-3. Ajuste del cortahilos	75
6-1. Agujas	27	11-3-1. Ajuste de las posiciones de la cuchilla superior, la cuchilla inferior y el resorte de la pinza de hilo	75
6-2. Colocación de la aguja	27	11-3-2. Ajuste de la superposición de la cuchilla superior y la cuchilla inferior	78
6-3. Enhebrado	28	11-3-3. Ajuste de la presión del resorte de la pinza de hilo	79
6-4. Uso del enfriador de hilo de aguja	33	11-3-4. Ajuste del recorrido del solenoide de cortahilos (Modelos con cortahilos tipo solenoide)	80
6-5. Ajuste del largo de puntada	33	11-3-5. Ajuste de la posición de la cuchilla inferior y el ojo-guía	81
6-6. Bloqueo del ajuste de largo de puntada	35	11-3-6. Ajuste de la posición de la cuchilla inferior y la aguja	82
6-7. Ajuste de la relación de alimentación del diferencial (0D2-0)	36	11-3-7. Ajuste del retén de la cuchilla superior	83
7. COSTURA	37	11-3-8. Ajuste de la altura del resorte de pinza de hilo y ojo-guía	84
7-1. Velocidad de la costura	38	11-3-9. Ajuste de los controladores de velocidad (Modelos con cortahilos de tipo neumático) ..	85
7-2. Costura	38	11-3-10. Ajuste del interruptor de seguridad	86
8. AJUSTE DE TENSION DEL HILO	40	11-4. Ajuste del conjunto de liberación de tensión ...	87
8-1. Tensión del hilo	40	11-4-1. Ajuste del brazo de liberación de tensión ...	87
8-1-1. Ajuste de la tensión del hilo de aguja	40	11-4-2. Ajuste de vástago de tirahilos	88
8-1-2. Ajuste de la tensión del hilo del ojo-guía	41	11-5. Ajuste del sincronizador	91
8-1-3. Uso del protector del hilo de aguja	43	11-6. Ajuste del elevador de prensateles de tipo neumático (UT23, opción)	92
8-1-4. Posición del tirahilos de aguja	43	11-7. Conexión de cada cable	93
8-1-5. Posición de la guía de hilo intermedio ...	44	12. INSTALACION DE PIEZAS OPCIONALES	94
8-1-6. Posición de la guía de tirahilos del ojo-guía	44	12-1. Elevador de prensateles de tipo neumático	94
8-1-7. Posición del tirahilos del ojo-guía	45	12-2. Elevador de prensateles de tipo solenoide	95
8-1-8. Posiciones de la guía F de hilo de ojo-guía y guía de hilo	46	12-3. Interruptor de rodilla	95
8-1-9. Posición del guiahilos del ojo-guía R.(Si el hilo inferior se rompe durante el corte de hilo)	47	12-4. Limpiahilos de tipe solenoide	96
8-2. Ajuste de la presión del prensateles	49	12-4-1. Instalación	96
9. LIMPIEZA	50	12-4-2. Ajuste del limpiahilos	98
9-1. Procedimientos diarios de limpieza	50	12-5. Limpiahilos de tipo neumático	103
9-2. Cambiar el aceite lubricante (cada tres meses) ..	52	12-5-1. Instalación	103
9-3. Cambio del filtro de aceite (cada seis meses) ..	53	12-5-2. Ajuste del limpiahilos	105
10. Cambio de la cuchilla superior y la cuchilla inferior	54	12-6. Prensateles alimentador (012-0)	107
		12-7. Alimentador angosto (012-0)	112
		13. CAMBIO DE LA CORREA DE SINCRONIZACION ...	113
		14. LOCALIZACION DE AVERIAS	132
		14-1. Cabeza de la máquina	132
		14-2. Cortahilos	135

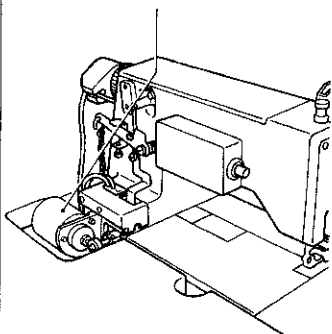
1. NAMES OF MAJOR PARTS
 1. HAUPTTEILE
 1. NOM DES PIÈCES PRINCIPALES
 1. NOMBRES DE LAS PIEZAS PRINCIPALES

1. NAMES OF MAJOR PARTS
 1. HAUPTTEILE
 1. NOM DES PIÈCES PRINCIPALES
 1. NOMBRES DE LAS PIEZAS PRINCIPALES



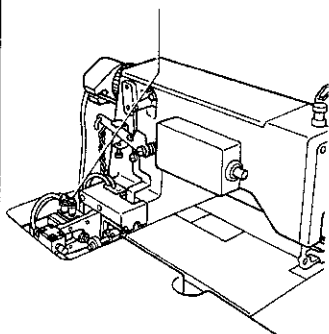
[0 □ 2-0/UT11,UT13]

Solenoid-type thread trimmer
 Solenoid-Fadenabschneider
 Coupe-fils à solénoïde
 Cortahilos de tipo solenoide



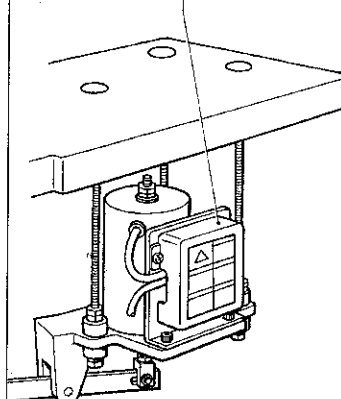
[0 □ 2-0/UT21,UT23]

Pneumatic-type thread trimmer
 pneumatischer Fadenabschneider
 Coupe-fils pneumatique
 Cortahilos de tipo neumático



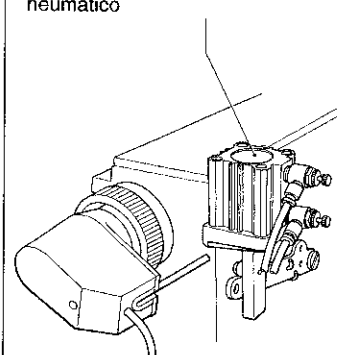
[0 □ 2-0/UT13]

Solenoid-type presser foot lifter
 Solenoid-Stoffdrückerfußheber
 Releveur de presseur à solénoïde
 Elevador de prensatelas de tipo solenoide



[0 □ 2-0/UT23]

Pneumatic-type presser foot lifter
 pneumatischer
 Stoffdrückerfußheber
 Releveur de presseur pneumatique
 Elevador de prensatelas de tipo neumático



1. NAMES OF MAJOR PARTS
1. HAUPTTEILE
1. NOM DES PIÈCES PRINCIPALES
1. NOMBRES DE LAS PIEZAS PRINCIPALES

- ① Presser adjust screw
- ② Needle thread take-up
- ③ Needle thread take-up guide
- ④ Needle cooler
- ⑤ Tension nut

- ⑥ Machine pulley
- ⑦ Sub tension nut
- ⑧ Looper thread take-up
- ⑨ Looper thread guide F
- ⑩ Looper

- ⑪ Push button
- ⑫ Trimming knife
- ⑬ Presser foot

Safety devices:

- ⑭ Needle bar take-up cover
- ⑰ Eye guard

- ⑮ Needle thread take-up cover
- ⑱ Finger guard

- ⑯ Belt cover

- ① StoffdrückerfußEinstellschraube
- ② Nadelstangenabnahme
- ③ Oberfadenabnahmeführung
- ④ Nadelkühlungsvorrichtung
- ⑤ Spannungsmutter

- ⑥ Riemenscheibe
- ⑦ Unterspannungsmutter
- ⑧ Unterfadenabnahme
- ⑨ Unterfadenführung F
- ⑩ Greifer

- ⑪ Taste
- ⑫ Fadenabschneidemesser
- ⑬ Stoffdrückerfuß

Sicherheitsvorrichtungen:

- ⑭ Nadelstangenabnahmeabdeckung
- ⑰ Augenschutz

- ⑮ Oberfadenabnahmeabdeckung
- ⑱ Fingerschutz

- ⑯ Riemenschutz

- ① Vis de réglage de pied presseur
- ② Releveur de fil d'aiguille
- ③ Guide du releveur de fil d'aiguille
- ④ Refroidisseur d'aiguille
- ⑤ Ecrou de tension

- ⑥ Poulie de machine
- ⑦ Ecrou de tension auxiliaire
- ⑧ Releveur de fil de boucleur
- ⑨ Guide F de fil de boucleur
- ⑩ Boucleur

- ⑪ Bouton-poussoir
- ⑫ Couteau
- ⑬ Pied presseur

Dispositifs de sécurité:

- ⑭ Couvercle du releveur de barre à aiguille
- ⑰ Garde-chas

- ⑮ Couvercle du releveur de fil d'aiguille
- ⑱ Garde-doigts

- ⑯ Couvercle de courroie

- ① Tornillo de ajuste del prensatelas
- ② Tirahilos de aguja
- ③ Guía de tirahilos de hilo de aguja
- ④ Mecanismo del enfriador de aguja
- ⑤ Tuerca de tensión

- ⑥ Polea de la máquina
- ⑦ Tuerca de tensión secundaria
- ⑧ Tirahilos de ojo-guía
- ⑨ Guía F de hilo de ojo-guía
- ⑩ Ojo-guía

- ⑪ Botón pulsador
- ⑫ Cuchilla de recorte
- ⑬ Prensatelas

Dispositivos de seguridad:

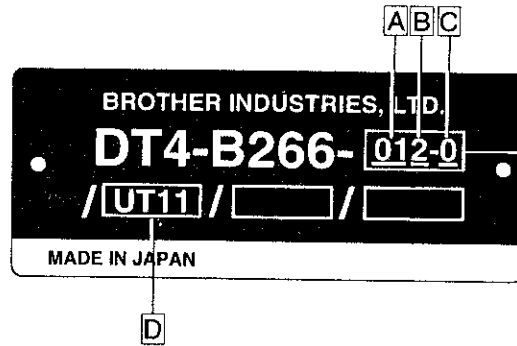
- ⑭ Cubierta del tirahilos de la barra de agujas
- ⑰ Protector de ojos

- ⑮ Cubierta del tirahilos de aguja
- ⑱ Protector de dedos

- ⑯ Cubierta de la correa

2. MACHINE SPECIFICATIONS
 2. TECHNISCHE DATEN
 2. SPECIFICATIONS DE LA MACHINE
 2. ESPECIFICACIONES DE LA MAQUINA

2. MACHINE SPECIFICATIONS
 2. TECHNISCHE DATEN
 2. SPECIFICATIONS DE LA MACHINE
 2. ESPECIFICACIONES DE LA MAQUINA







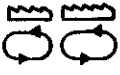
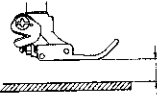

A	Feed method/Transport Méthode d'entraînement/Método de alimentación
01	Uniform feed Gleichlauftransport Entraînement uniforme Alimentación uniforme
0D	Differential feed Differentialtransport Entraînement différentiel Alimentación diferencial

B	Specifications/Technische Daten Spécifications/Especificaciones
2	Standard gauge for medium-thick materials Standardlehre für mitteldicke Stoffe Calibre standard pour les tissus mi-épais Calibre normal para materiales medianos a gruesos

C	No. of needles/Nadelzahl Nombre d'aiguilles/Número de agujas
0	Single needle Einnadel Une aiguille Una aguja

D	Devices/Vorrichtungen/Dispositifs accessoires/Dispositivos			
	UT11	UT13	UT21	UT23
Solenoid-type thread trimmer Solenoid-Fadenabschneider Coupe-fils à solénoïde Cortahilos de tipo solenoïde	○	○	/	/
Pneumatic-type thread trimmer pneumatischer Fadenabschneider Coupe-fils pneumatique Cortahilos de tipo neumático	/	/	○	○
Solenoid-type presser foot lifter Solenoid-Stoffdrückerfußheber Releveur de presseur à solénoïde Elevador de prensatelas de tipo solenoïde	/	○	/	/
Pneumatic-type presser foot lifter pneumatischer Stoffdrückerfußheber Releveur de presseur pneumatique Elevador de prensatelas de tipo neumático	/	/	/	○

2. MACHINE SPECIFICATIONS
 2. TECHNISCHE DATEN
 2. SPECIFICATIONS DE LA MACHINE
 2. ESPECIFICACIONES DE LA MAQUINA

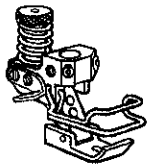
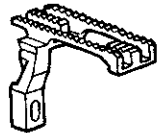
Sub-class/Unterklasse Sous-classe/Sub-clase		012 - 0	0D2 - 0
Use		For plain stitching (Single needle, lower feed, medium-thick material) • For general sewing of medium-thick materials such as the sides of slacks.	For plain stitching (Single needle, differential feed, medium-thick material) • For general sewing of stretch materials such as knitted wear.
Verwendung		Für normale Stiche (Eine Nadel, Untertransport, mitteldickes Nähgut) • Für allgemeines Nähen von mitteldickem Nähgut, wie Seiten von Hosen.	Für normale Stiche (Eine Nadel, Differentialtransport, mitteldickes Nähgut) • Für allgemeines Nähen von Stretchgeweben, wie Trikot.
Utilisation		Pour la couture ordinaire (Aiguille unique, entraînement inférieur, tissu mi-épais) • Pour la couture générale de tissus mi-épais tels que les côtés des pantalons.	Pour la couture ordinaire (Aiguille unique, entraînement différentiel, tissus mi-épais) • Pour la couture générale des tissus élastiques tels que les tricots.
Uso		Para pespunte (Una aguja, alimentación inferior, material mediano a grueso) • Para costura general de materiales medianos a gruesos como las costuras laterales de pantalones.	Para pespunte (Una aguja, alimentación diferencial, material mediano a grueso) • Para costura de materiales elásticos como vestimenta de tejido de punto.
	No. of needles Anzahl Nadeln Nombre d'aiguilles No. de agujas	1	1
	Needle size (UY128GAS) Nadelgröße (UY128GAS) Taille d'aiguille (UY128GAS) Tamaño de aguja (UY128GAS)	Schmetz #80 - #120 (Organ #12 - #19)	Schmetz #80 - #120 (Organ #12 - #19)
	No. of threads Anzahl Fäden Nombre de fils NO. de bobinas	2	2
	Max. stitch length (mm) Max. Stichlänge (mm) Longueur max. de point (mm) Máx. long. de puntada (mm)	3,6 3,6	3,6 3,6
	Differential ratio Differentialtransportverhältnis Rapport différentiel Relación de diferencial		0,7 - 1,6 0,7 - 1,6
	Presser foot lift height (mm) Stoffdrückerfußhub (mm) Hauteur de relevée du pied-presseur (mm) Altura de elevación del prensatelas (mm)	7	7
	Max. sewing speed (spm) Max. Nähgeschwindigkeit (Stiche pro Minute) Vitesse max. de couture (pts/min) Máx. velocidad de costura (ppm)	6,500 6.500	6,000 6.000

3. OPTIONAL PARTS
 3. SONDERZUBEHÖRTEILE
 3. PIÈCES EN OPTION
 3. PARTES OPCIONALES

3. OPTIONAL PARTS
 3. SONDERZUBEHÖRTEILE

3. PIÈCES EN OPTION
 3. PARTES OPCIONALES










The following optional parts are available for the DT4 - B266.
 Für die DT4 - B266 ist das folgende Sonderzubehör erhältlich.
 Les pièces en option suivantes sont disponibles pour le modèle DT4 - B266.
 Las siguientes partes opcionales están disponibles para la DT4 - B266.










Part name/Bezeichnung/Nom des pièces/Nombre de parte		Part code Teilecode Pièce N° Código de parte	Applicable class Anwendbare Klasse Classe concernée Clase aplicable
Solenoid-type presser foot lifter A(*1) Solenoid-Stoffdrückerfußheber A(*1) Releveur de presseur à solénoïde A(*1) Elevador de prensatelas de tipo solenoide A(*1)	With knee switch Mit Knieschalter Avec interrupteur au genou Con interruptor de rodilla	183795-401	012-0/UT11 012-0/UT21 0D2-0/UT11 0D2-0/UT21
Solenoid-type presser foot lifter B(*1) Solenoid-Stoffdrückerfußheber B(*1) Releveur de presseur à solénoïde B(*1) Elevador de prensatelas de tipo solenoide B(*1)	Without knee switch Ohne Knieschalter Sans interrupteur au genou Sin interruptor de rodilla	183796-401	
Pneumatic-type presser foot lifter pneumatischer Stoffdrückerfußheber Releveur de presseur pneumatique Elevador de prensatelas de tipo neumático	Without knee switch Ohne Knieschalter Sans interrupteur au genou Sin interruptor de rodilla	S28904-001	012-0/UT11(*2) 012-0/UT21 0D2-0/UT11(*2) 0D2-0/UT21
Solenoid-type thread wiper B(*3) Solenoid-Fadenwischer B(*3) Tire-fils à solénoïde B(*3) Limpiahilos de tipo solenoide B(*3)	Serves to reduce the length of trailing needle thread at the sewing start. Zum Reduzieren des vorstehenden Oberfadens beim Nähbeginn Sert à réduire la longueur de fil d'aiguille excessive en début de couture. Sirve para reducir el largo del hilo de aguja libre al comienzo de la costura.	S44920-001	012-0 0D2-0
Pneumatic-type thread wiper pneumatischer Fadenwischer Tire-fils pneumatique Limpiahilos de tipo neumático		S28896-001	(*4)
Knee switch (*5) Knieschalter (*5) Interrupteur au genou (*5) Interruptor de rodilla (*5)	Allows the presser foot to be raised at any position desired during sewing. Während dem Nähen kann der Stoffdrückerfuß an jeder Position angehoben werden. Permet de relever le pied presseur à la position voulue pendant la couture. Permite levantar el prensatelas en cualquier posición durante la costura.	S28720-009	(*5)
	Feeding presser foot (*6) (For preventing seam slippage) Transport-Stoffdrückerfuß (*6) (Zur Verhütung von Nahtschlupf) Pied presseur d'entraînement (*6) (Pour éviter les glissements de tissu) Prensatelas alimentador (*6) (Para evitar deslizamientos de costuras)	S40548301	012 - 0
	Feed dog (For thin materials) Transporteur (Für dünnes Nähgut) Griffe d'entraînement (Pour les tissus fins) Alimentador (Para materiales finos)	S40564001	










- (*1) ... When a solenoid-type presser foot lifter has been installed to the fully submerged-type work table (standard type), the following parts must also be used. (Refer to pages 10 and 11 for details on the shapes and dimensions for the machine head support and work table.)
- (*1) ... Wenn ein Solenoid-Stoffdrückerfußheber an der voll versenkten Nähmaschine (Standardausführung) montiert wird, müssen die folgenden Teile verwendet werden. (Für die Einzelheiten über die Form und Abmessungen der Teile für das Maschinenoberteil und über den Nähtisch wird auf die Seite 10 und 11 verwiesen.)
- (*1) ... Lorsqu'un releveur de pied presseur à solénoïde a été installé sur la table de travail de type entièrement submergé (type standard), les pièces suivantes doivent aussi être utilisées. (Pour plus de détails concernant les formes et les dimensions du support de tête de machine et de la table de travail, se reporter aux pages 10 et 11.)
- (*1) ... Cuando se haya instalado un levantador de prensatelas de tipo solenoide en la mesa de trabajo de tipo completamente sumergida (tipo estándar), también se deben usar las siguientes partes. (Consultar las páginas 10 y 11 por detalles sobre la forma y dimensiones del soporte de la cabeza de la máquina y la mesa de trabajo.)
- Bolt (S11562-001) × 1
 - Washer, plain L 8 (025080-336) × 3
 - Spring washer 2-8 (028080-242) × 2
 - Nut, 1 M8 (021080-106) × 3
- (*2) ... When a pneumatic-type presser foot lifter has been installed to sewing machines with 012-0/UT11 or OD2-0/UT11 specifications, replace the T-union with the elbow union (S04896-000) which is sold separately. (Refer to the Parts Book.)
- (*2) ... Bei Verwendung eines pneumatischen Stoffdrückerfußhebers für die Maschinenausführungen 012-0/UT11 oder OD2-0/UT11 muß das T-Stück gegen das separat erhältliche Bogenstück (S04896-000) ausgetauscht werden. (Siehe Teilekatalog.)
- (*2) ... Lorsqu'un pied presseur pneumatique a été installé sur les machines à coudre de spécifications 012-0/UT11 ou OD2-0/UT11, remplacer l'union en T par une union coudée (S04896-000) vendue séparément. (Se reporter au manuel des pièces.)
- (*2) ... Cuando se haya instalado un levantador de prensatelas de tipo neumático en las máquinas de coser con especificaciones 012-0/UT11 o OD2-0/UT11, cambie la unión en T por la unión tipo codo (S04896-000) en venta por separado. (Consultar el Libro de partes.)
- (*3) ... When a solenoid-type thread wiper has been installed, replace the finger guard with finger guard C (S28800-001) which is sold separately.
- (*3) ... Bei der Montage eines Solenoid-Fadenwischers muß der Fingerschutz gegen den separat erhältlichen Fingerschutz C (S28800-001) ausgetauscht werden.
- (*3) ... Lorsqu'un tire-fils à solénoïde a été installé, remplacer le protège-doigts par un protège-doigt C (S28800-001) vendu séparément.
- (*3) ... Cuando se haya instalado un limpiahilos de tipo solenoide, cambie el protector de dedos por el protector de dedos C (S28800-001) en venta por separado.
- (*4) ... The pneumatic-type thread wiper can be used on sewing machines with a pneumatic-type presser foot lifter.
- (*4) ... Der pneumatische Fadenwischer kann für Nähmaschinen mit pneumatischem Stoffdrückerfußheber verwendet werden.
- (*4) ... Le tire-fils pneumatique peut être utilisé sur les machines possédant un releveur de pied presseur pneumatique.
- (*4) ... El limpiahilos de tipo solenoide puede ser usado en máquinas de coser con levantador de prensatelas tipo neumático.
- (*5) ... The knee switch can be used on sewing machines with a solenoid-type or pneumatic-type presser foot lifter. When installing the knee switch, the following parts will also be necessary.
- (*5) ... Der Knieschalter kann sowohl für Nähmaschinen mit Solenoid-Stoffdrückerfußheber als auch mit pneumatischem Stoffdrückerfußheber verwendet werden. Zur Montage des Knieschalters sind die folgenden Teile notwendig.
- (*5) ... L'interrupteur au genou peut être utilisé sur des machines à coudre possédant un releveur de pied presseur pneumatique ou à solénoïde. Lorsqu'on installe l'interrupteur au genou, les pièces suivantes seront aussi nécessaires.
- (*5) ... El interruptor de rodilla puede ser usado en máquinas de coser con un levantador de hilos tipo solenoide o tipo neumático. Al instalar el interruptor de rodilla, también serán necesarias las siguientes partes.
- Wood screw, flat M4.1 × 25 (034422-503) × 4
- (*6) ... If using the feeding presser foot, use it in conjunction with the following parts. (Refer to page 107.)
- (*6) ... Der Transport-Stoffdrückerfuß muß zusammen mit den folgenden Teilen verwendet werden. (Siehe Seite 107.)
- (*6) ... Si l'on utilise le pied presseur d'entraînement, l'utiliser conjointement avec les pièces suivantes. (Se reporter à la page 107.)
- (*6) ... Si se usa un prensatelas de alimentación, usarlo junto con las siguientes partes. (Consultar la página 107.)
- Presser bar spring (S18947001) × 1
 - Presser bar stopper (S40539001) × 1
 - 4.37 bolt (154574001) × 1
 - 4.37 nut (102571001) × 1
 - Bolt (117516001) × 2
 - Washer (100645003) × 2
 - Washer (140407001) × 2

5. INSTALLATION
 5. MONTAGE
 5. INSTALLATION
 5. INSTALACION










⚠ CAUTION/ACHTUNG/ATTENTION

- | | |
|------------------------------------------------------------------------------------------------------------------------------------------------------------------------------------------------------------------------------------------------------------------------------------------------------------------------------------------------------------------------------------------------------------------------------------------------------------------------------------------------------------------------------------------------------------------------------------------------------------------------------------------------------------------------------------------------------------------------------------------------------------------------------------------------------------------------------------------------------------------------------------------------------------------------------------------------------------------------------------------------------------------------------------------------------------------------------------------------------------------------|------------------------------------------------------------------------------------------------------------------------------------------------------------------------------------------------------------------------------------------------------------------------------------------------------------------------------------------------------------------------------------------------------------------------------------------------------------------------------------------------------------------------------------------------------------------------------------------------------------------------------------------------------------------------------------------------------------------------------------------------------------------------------------------------------------------------------------------------------------------------------------------------------------|
| <ul style="list-style-type: none">  • Machine installation should only be carried out by a qualified technician.  • Contact your Brother dealer or a qualified electrician for any electrical work that may need to be done.  • The sewing machine weighs more than 49 kg. The installation should be carried out by two or more people.  • Do not connect the power cord until installation is complete, otherwise the machine may operate if the treadle is depressed by mistake, which could result in injury.  • Be sure to connect the ground. If the ground connection is not secure, you run the risk of receiving a serious electric shock. | <ul style="list-style-type: none">  • All cords should be secured at least 25 mm away from any moving parts. Furthermore, do not excessively bend the cords or secure them too firmly with staples, otherwise there is the danger that fire or electric shocks could occur.   • Install the belt cover to the machine head.  • Avoid setting up the sewing machine near sources of strong electrical noise such as highfrequency welding equipment. If this precaution is not taken, incorrect machine operation may result. |
|------------------------------------------------------------------------------------------------------------------------------------------------------------------------------------------------------------------------------------------------------------------------------------------------------------------------------------------------------------------------------------------------------------------------------------------------------------------------------------------------------------------------------------------------------------------------------------------------------------------------------------------------------------------------------------------------------------------------------------------------------------------------------------------------------------------------------------------------------------------------------------------------------------------------------------------------------------------------------------------------------------------------------------------------------------------------------------------------------------------------|------------------------------------------------------------------------------------------------------------------------------------------------------------------------------------------------------------------------------------------------------------------------------------------------------------------------------------------------------------------------------------------------------------------------------------------------------------------------------------------------------------------------------------------------------------------------------------------------------------------------------------------------------------------------------------------------------------------------------------------------------------------------------------------------------------------------------------------------------------------------------------------------------------|

- | | |
|-------------------------------------------------------------------------------------------------------------------------------------------------------------------------------------------------------------------------------------------------------------------------------------------------------------------------------------------------------------------------------------------------------------------------------------------------------------------------------------------------------------------------------------------------------------------------------------------------------------------------------------------------------------------------------------------------------------------------------------------------------------------------------------------------------------------------------------------------------------------------------------------------------------------------------------------------------------------------------------------------------------------------------------------------------------------------------------------------------------------------------------------|---------------------------------------------------------------------------------------------------------------------------------------------------------------------------------------------------------------------------------------------------------------------------------------------------------------------------------------------------------------------------------------------------------------------------------------------------------------------------------------------------------------------------------------------------------------------------------------------------------------------------------------------------------------------------------------------------------------------------------------------------------------------------------------------------------------------------------------------------------------------------------------------------------------------------------------------------------------------------------------------------------|
| <ul style="list-style-type: none">  • Die Nähmaschine darf nur von einem Fachmann montiert werden.  • Falls Elektrikerarbeiten gemacht werden müssen, wenden Sie sich an Ihren Brother-Händler oder an einen qualifizierten Elektriker.  • Weil die Nähmaschine mehr als 49 kg wiegt, sind zur Montage mindestens zwei Personen notwendig.  • Schließen Sie das Netzkabel erst nach vollständiger Montage an, weil sonst Verletzungsgefahr besteht, wenn die Nähmaschine durch unbeabsichtigtes Betätigen des Pedals in Gang gesetzt wird.  • Erden Sie die Maschine unbedingt. Bei falsch geerdeter Maschine besteht die Gefahr eines elektrischen Schlages. | <ul style="list-style-type: none">  • Alle Kabel müssen mindestens 25 mm von sich bewegenden Teilen entfernt sicher befestigt werden. Die Kabel dürfen auch nicht zu stark gebogen oder zu fest mit Klammern befestigt werden, weil sonst die Gefahr eines elektrischen Schlages besteht.   • Bringen Sie den Riemenschutz am Maschinenoberteil an.  • Stellen Sie die Nähmaschine nicht an Orten, an denen starke elektrische Störsignale auftreten, wie in der Nähe von Hochfrequenz-Schweißgeräten auf.
Durch Mißachtung dieser Vorsichtsmaßnahmen können Betriebsstörungen der Maschine verursacht werden. |
|-------------------------------------------------------------------------------------------------------------------------------------------------------------------------------------------------------------------------------------------------------------------------------------------------------------------------------------------------------------------------------------------------------------------------------------------------------------------------------------------------------------------------------------------------------------------------------------------------------------------------------------------------------------------------------------------------------------------------------------------------------------------------------------------------------------------------------------------------------------------------------------------------------------------------------------------------------------------------------------------------------------------------------------------------------------------------------------------------------------------------------------------|---------------------------------------------------------------------------------------------------------------------------------------------------------------------------------------------------------------------------------------------------------------------------------------------------------------------------------------------------------------------------------------------------------------------------------------------------------------------------------------------------------------------------------------------------------------------------------------------------------------------------------------------------------------------------------------------------------------------------------------------------------------------------------------------------------------------------------------------------------------------------------------------------------------------------------------------------------------------------------------------------------|

- | | |
|----------------------------------------------------------------------------------------------------------------------------------------------------------------------------------------------------------------------------------------------------------------------------------------------------------------------------------------------------------------------------------------------------------------------------------------------------------------------------------------------------------------------------------------------------------------------------------------------------------------------------------------------------------------------------------------------------------------------------------------------------------------------------------------------------------------------------------------------------------------------------------------------------------------------------------------------------------------------------------------------------------------------------------------------------------------------------------------------------------------------------------------------------------------------------------------------------------------------------|-------------------------------------------------------------------------------------------------------------------------------------------------------------------------------------------------------------------------------------------------------------------------------------------------------------------------------------------------------------------------------------------------------------------------------------------------------------------------------------------------------------------------------------------------------------------------------------------------------------------------------------------------------------------------------------------------------------------------------------------------------------------------------------------------------------------------------------------------------------------------------------------------------------------------------------------------------------------|
| <ul style="list-style-type: none">  • L'installation de la machine doit être confiée exclusivement à un personnel qualifié.  • S'adresser à votre revendeur Brother ou à un électricien qualifié pour effectuer toute réparation éventuelle du système électrique.  • La machine à coudre pèse plus de 49 kg. L'installation nécessite donc le concours de deux personnes ou plus.  • Ne pas brancher le cordon d'alimentation avant d'avoir complètement terminé l'installation, sinon la machine risquera de se mettre en marche si on relâche la pédale par erreur, et on risquera alors de se blesser.  • Veiller à bien brancher la machine à la terre. Si le branchement de terre est mal fait, il y aura risque d'électrocution grave. | <ul style="list-style-type: none">  • Tous les câbles doivent être fixés à au moins 25 mm des parties mobiles. De plus, ne pas plier excessivement les câbles ni les fixer trop fermement avec des agrafes, sinon on risquera de provoquer un choc électrique ou un incendie.   • Installer le couvercle de courroie sur la tête de machine.  • Eviter d'installer la machine près de sources de bruit électrique intense, telles que des appareils de soudure haute fréquence. Si on n'observe pas cette précaution, une anomalie de fonctionnement risque de s'en suivre. |
|----------------------------------------------------------------------------------------------------------------------------------------------------------------------------------------------------------------------------------------------------------------------------------------------------------------------------------------------------------------------------------------------------------------------------------------------------------------------------------------------------------------------------------------------------------------------------------------------------------------------------------------------------------------------------------------------------------------------------------------------------------------------------------------------------------------------------------------------------------------------------------------------------------------------------------------------------------------------------------------------------------------------------------------------------------------------------------------------------------------------------------------------------------------------------------------------------------------------------|-------------------------------------------------------------------------------------------------------------------------------------------------------------------------------------------------------------------------------------------------------------------------------------------------------------------------------------------------------------------------------------------------------------------------------------------------------------------------------------------------------------------------------------------------------------------------------------------------------------------------------------------------------------------------------------------------------------------------------------------------------------------------------------------------------------------------------------------------------------------------------------------------------------------------------------------------------------------|

ATENCION

- | | | | |
|-----------------------------------------------------------------------------------|-------------------------------------------------------------------------------------------------------------------------------------------------------------------------------------------------------------|-----------------------------------------------------------------------------------|-------------------------------------------------------------------------------------------------------------------------------------------------------------------------------------------------------------------------------------------------|
|  | • La máquina debe ser instalada sólo por personal especializado. |  | • Todos los cables deben mantenerse al menos a 25 mm de las piezas móviles. Además, no se deben doblar demasiado los cables o apretarlos demasiado con grapas, de lo contrario existe el peligro de que ocurra un incendio o golpes eléctricos. |
|  | • Consultar a su distribuidor Brother o un electricista calificado por cualquier trabajo de electricidad que se debiera realizar. |  | |
|  | • La máquina de coser pesa más de 49 kg. La instalación debe ser realizada por dos o más personas. |  | • Instalar la cubierta de la correa en la cabeza de la máquina. |
|  | • No conectar el cable de alimentación hasta haber completado la instalación, de lo contrario la máquina podría comenzar a funcionar si por descuido se pisara el pedal, lo que podría resultar en heridas. |  | • Evitar instalar la máquina de coser próxima a fuentes de ruidos eléctricos fuertes como equipos de soldadura de alta frecuencia. Si no se tienen en cuenta estas precauciones, la máquina podría funcionar mal. |
|  | • Asegurarse de hacer la conexión a tierra. Si la conexión a tierra no fuera segura, se corre el peligro de sufrir golpes eléctricos serios. | | |

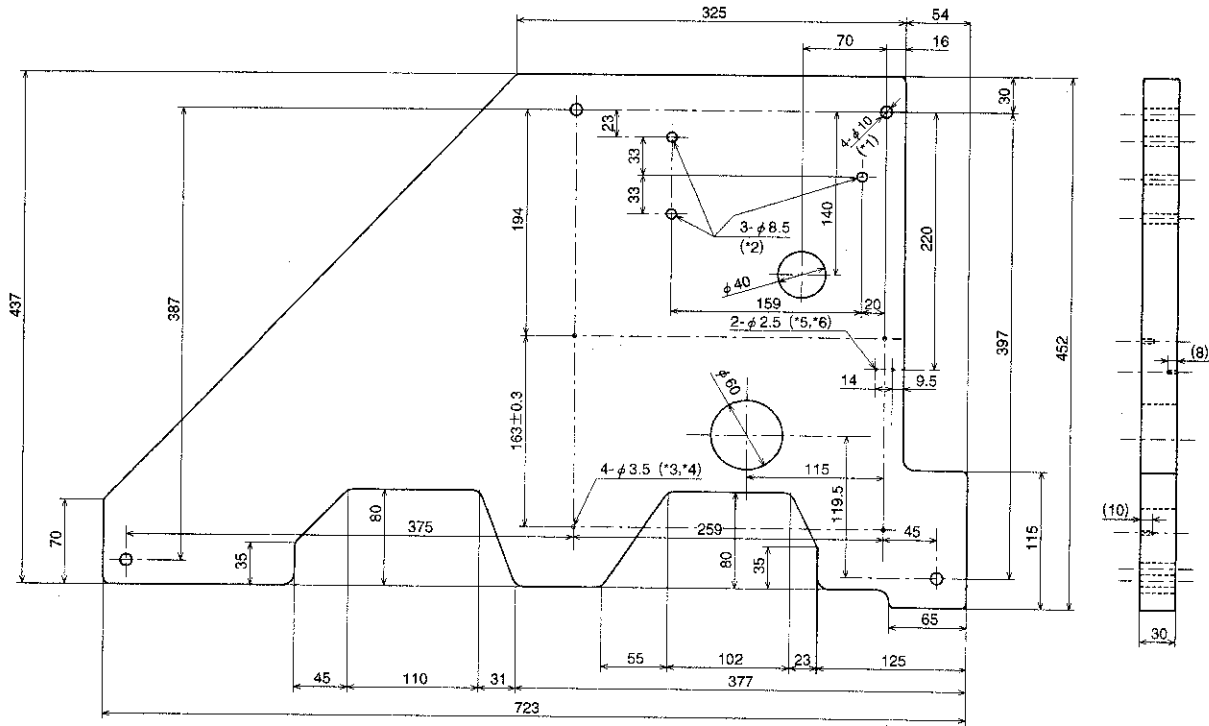
5-1. Processing the work table 5-1. Vorbereiten des Nähtisches 5-1. Traitement de la table de travail 5-1. Preparación de la mesa de trabajo

- This sewing machine is a fully-submerged type. Refer to the diagrams on the following pages to prepare the work table and the machine head support.
- The top of the table should be 40 mm in thickness and should be strong enough to hold the weight and withstand the vibration of the sewing machine.
- Diese Nähmaschine ist ganz versenkt. Für die Vorbereitung des Nähtisches und zur Abstützung des Maschinenoberteils wird auf die Zeichnungen auf den folgenden Seiten verwiesen.
- Die Tischplatte sollte 40 mm dick sein und der Nähtisch sollte stabil genug sein das Gewicht der Nähmaschine aufnehmen und den Betriebsvibrationen widerstehen zu können.
- Cette machine à coudre est de type entièrement submergé. En ce qui concerne les préparatifs de la table de travail et du support de tête de machine, se reporter aux schémas des pages suivantes.
- La partie supérieure de la table doit avoir 40 mm d'épaisseur et doit être assez solide pour pouvoir supporter le poids et les vibrations de la machine à coudre.
- Esta máquina de coser es de tipo completamente sumergido. Consultar los diagramas en las siguientes páginas para preparar la mesa de trabajo y el soporte de la cabeza de la máquina.
- La parte de arriba de la mesa debe ser de 40 mm de espesor y lo suficientemente fuerte como para soportar el peso y las vibraciones de la máquina de coser.

5. INSTALLATION
 5. MONTAGE
 5. INSTALLATION
 5. INSTALACION

- Machine head support
- Abstützung des Maschinenoberteils
- Support de tête de machine
- Soporte de la cabeza de la máquina

When not using a solenoid-type presser foot lifter
 Wenn kein Solenoid-Stoffdrückerfußheber verwendet wird
 Lorsqu'on n'utilise pas un releveur de pied presseur à solénoïde
 Cuando no se use un levantador de prensatelas de tipo solenoide



*1 Machine head support connection positions (4 places)
 Stellen für die Maschinenoberteilabstützung (4 Stellen)
 Positions de connexion du support de tête de machine
 (4 emplacements)
 Posiciones de conexión del soporte de la cabeza de la
 máquina (4 lugares)

*2 Motor mounting holes (3 places)
 Motormontagelöcher (3 Stellen)
 Trous de montage du moteur (3 emplacements)
 Orificios de montaje del motor (3 lugares)

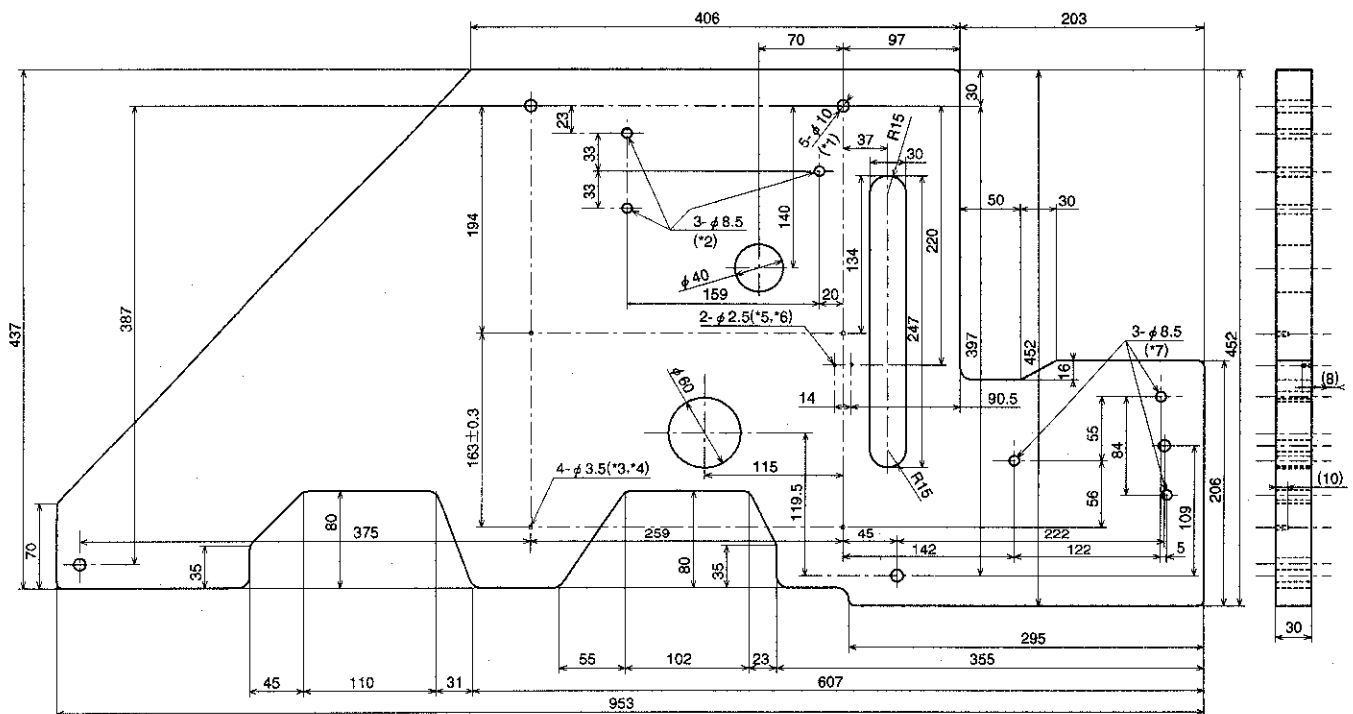
*3 Depth 10
 Tiefe 10
 Profondeur 10
 Profundidad 10

*4 Machine head support plate mounting holes (4 places)
 Löcher für die Maschinenoberteilstützplatte (4 Stellen)
 Trous de montage de plaque de support de tête de machine
 (4 emplacements)
 Orificios de montaje de la placa de soporte de la cabeza
 de la máquina (4 lugares)

*5 Depth 8
 Tiefe 8
 Profondeur 8
 Profundidad 8

*6 Chain guide mounting hole (2 places)
 Kettenführungsloch (2 Stellen)
 Trou de montage du guide-chaînette (2 emplacements)
 Orificio de montaje de la guía de cadena (2 lugares)

When using a solenoid-type presser foot lifter
 Wenn ein Solenoid-Stoffdrückerfußheber verwendet wird
 Lorsqu'on utilise un releveur de pied presseur à solénoïde
 Cuando se use un levantador de prensatelas de tipo solenoide



*1 Machine head support connection positions (4 places)
 Stellen für die Maschinenoberteilabstützung (4 Stellen)
 Positions de connexion du support de tête de machine (4 emplacements)
 Posiciones de conexión del soporte de la cabeza de la máquina (4 lugares)

*2 Motor mounting holes (3 places)
 Motormontagelöcher (3 Stellen)
 Trous de montage du moteur (3 emplacements)
 Orificios de montaje del motor (3 lugares)

*3 Depth 10
 Tiefe 10
 Profondeur 10
 Profundidad 10

*4 Machine head support plate mounting holes (4 places)
 Löcher für die Maschinenoberteilstützplatte (4 Stellen)
 Trous de montage de plaque de support de tête de machine (4 emplacements)
 Orificios de montaje de la placa de soporte de la cabeza de la máquina (4 lugares)

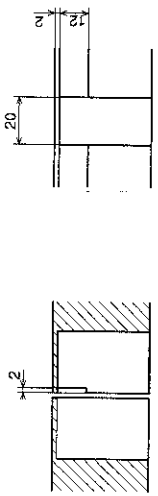
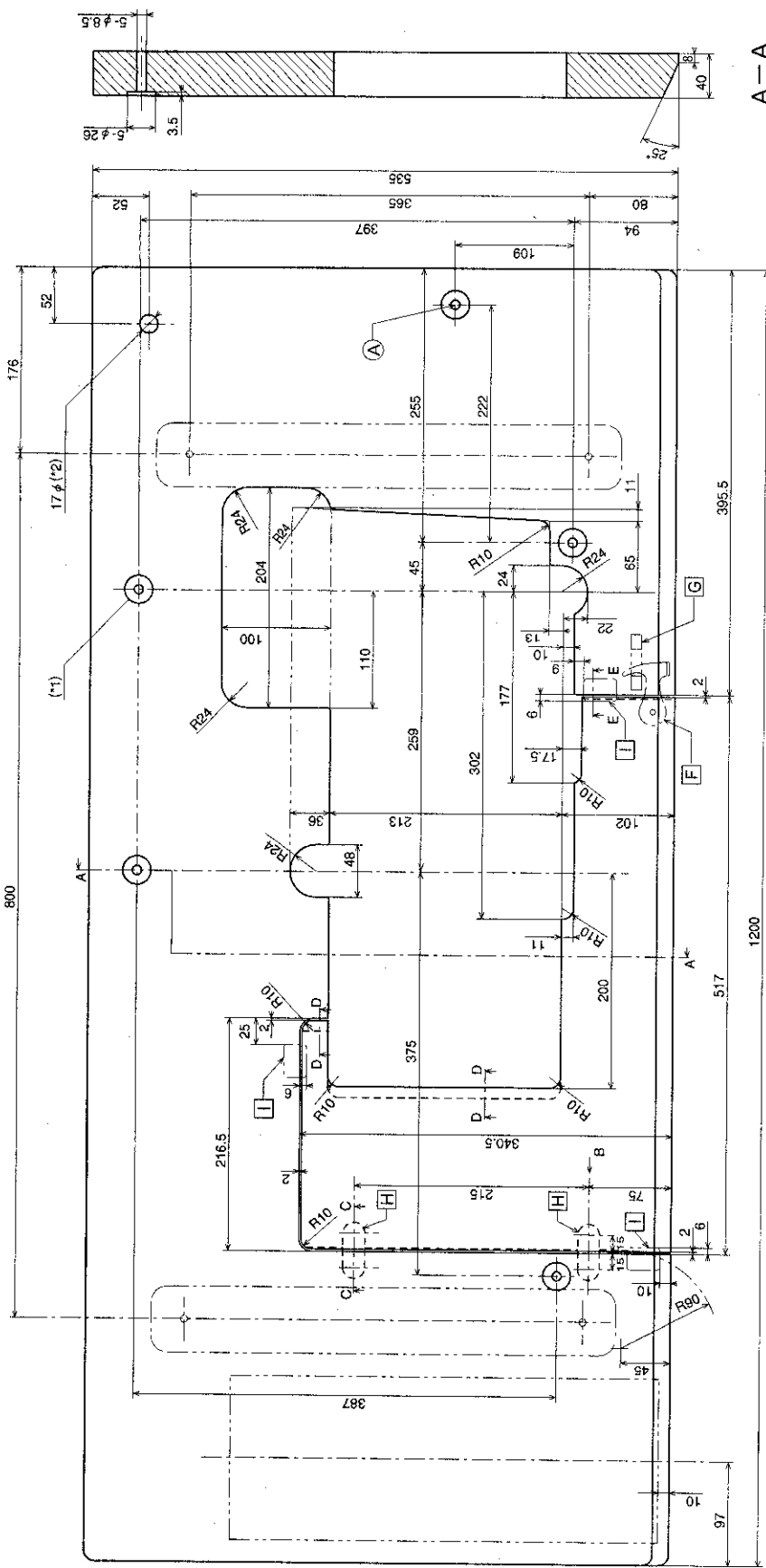
*5 Depth 8
 Tiefe 8
 Profondeur 8
 Profundidad 8

*6 Chain guide mounting hole (2 places)
 Kettenführungsloch (2 Stellen)
 Trou de montage du guide-chaînette (2 emplacements)
 Orificio de montaje de la guía de cadena (2 lugares)

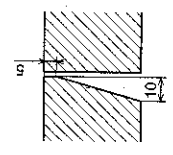
*7 Solenoid-type presser foot lifter mounting holes
 Montagelöcher für den Solenoid-Stoffdrückerfußheber
 Trous de montage du releveur de pied presseur à solénoïde
 Orificios de montaje del levantador de prensatelas de tipo solenoide

5. INSTALLATION
5. MONTAGE
5. INSTALLATION
5. INSTALACION

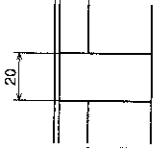
- Work table ■ Table de travail
- Nähtisch ■ Mesa de trabajo



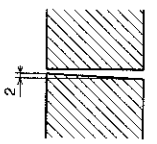
C—C



D—D



B



E—E

*1 Machine head support connection positions (5 places)
When not using a solenoid-type presser foot lifter, it is not necessary to make the counterbore (A) and the holes.

Stellen für die Maschinenoberteilabstützung (5 Stellen)
Wenn kein Solenoid-Stoffdruckerfüßheber verwendet wird, brauchen die Versenkung (A) und die Locher nicht gebohrt zu werden.

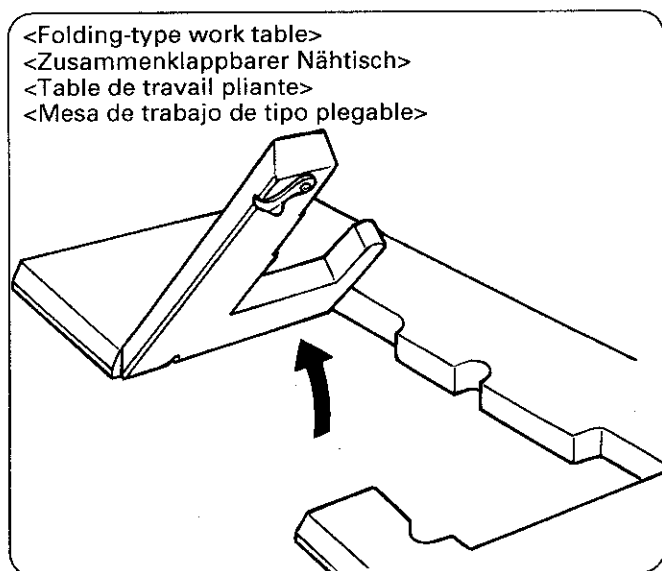
Positions de connexion du support de tête de machine (5 emplacements)
Lorsqu'on n'utilise pas un releveur de pied presseur à solénoïde, il n'est pas nécessaire d'effectuer le réévasage (A) et les trous.

Posiciones de conexión del soporte de la cabeza de la máquina (5 lugares)
Cuando no se use un levantador de prensatelas de tipo solenoide, no es necesario hacer el agujero escariado (A) y los agujeros.

*2 Cotton stand hole
Spulensänderloch
Trou de la broche porte-bobine
Orificio del soporte del carrete

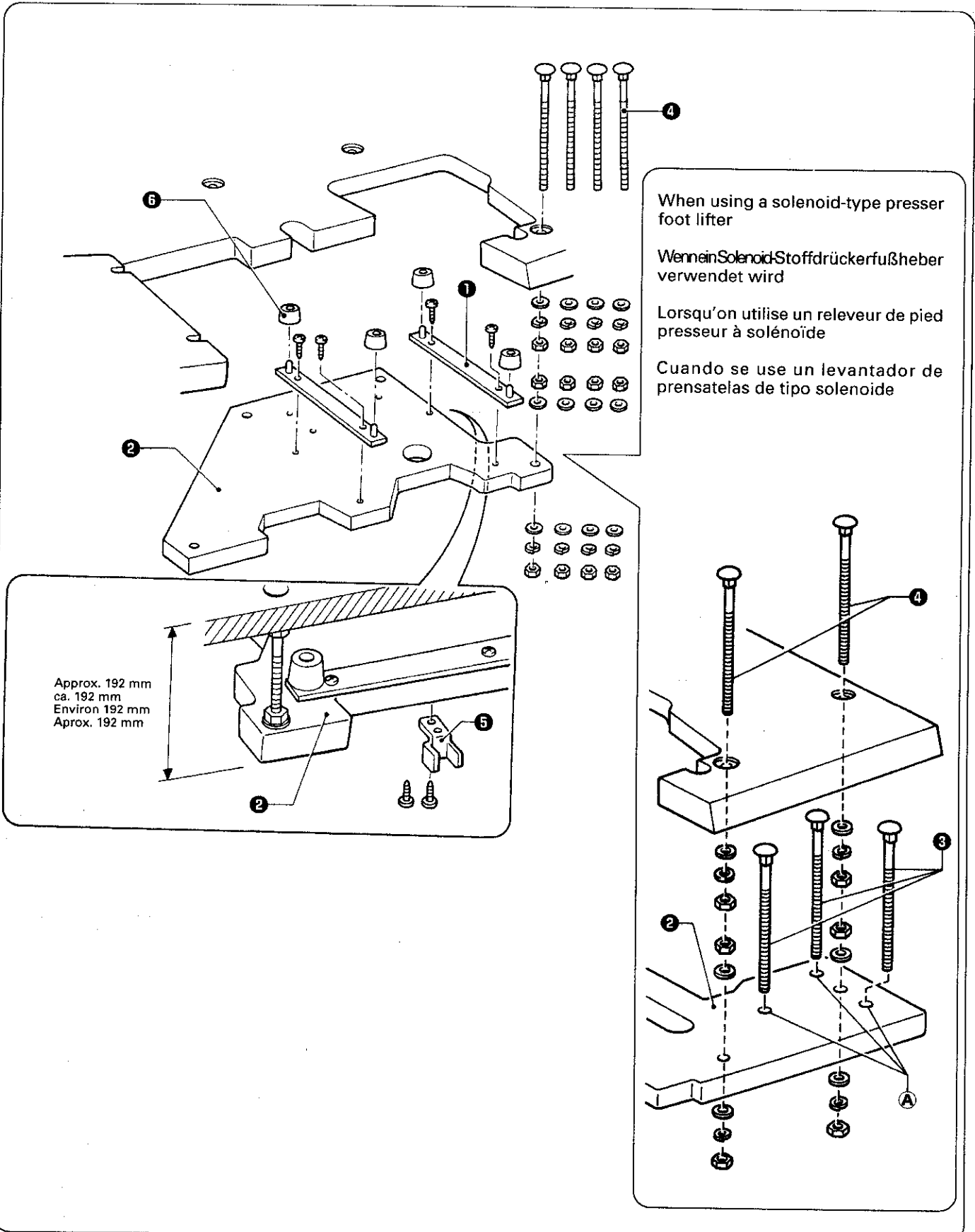
A—A

- Dimensions in brackets, diagram B and cross-sectional diagrams C-C, D-D and E-E indicate the dimensions for processing a folding-type work table with hinges.
* When processing a folding-type work table, please use the following parts which are available by separate purchase.
- Einheiten in Klammern, die Zeichnung B und die Schnittzeichnungen C-C, D-D und E-E geben die Abmessungen für einen zusammenklappbaren Nähtisch mit Scharnieren an.
* Für die Bearbeitung eines zusammenklappbaren Nähtisches müssen die folgenden separat erhältlichen Teile verwendet werden.
- Les dimensions entre crochets, le schéma B et les schémas transversaux C-C, D-D et E-E indiquent les dimensions pour le traitement d'une table de travail pliante à charnières.
* Lors du traitement d'une table de travail pliante, utiliser les pièces suivantes qui sont vendues séparément.
- Las dimensiones entre paréntesis, el diagrama B y los diagramas de sección transversal C-C, D-D y E-E indican las dimensiones para preparar la mesa de trabajo de tipo plegable con bisagras.
* Al preparar una mesa de trabajo de tipo plegable, usar las siguientes partes disponibles a la venta por separado.



	Part name Bezeichnung Nom des pièces Nombre de parte	Part code Teilecode Pièce N° Código de parte	Qty. Menge Quantité Cantidad
F	Vibration stopper Vibrationsdämpfer Atté nuateur de vibrations Tope de vibraciones	101117-001	1
	Round + screw (4,5 x 16) Rundkopfschrauben (16 x 4,5) Vis + ronde (4,5 x 16) Redondo + tornillo (4,5 x 16)	032461-606	1
G	Stopper bracket Anschlaghalterung Support de butée Ménsula de tope	119561-001	1
	Round + screw (3,5 x 13) Rundkopfschrauben (13 x 3,5) Vis + ronde (3,5 x 13) Redondo + tornillo (3,5 x 13)	032361-306	2
H	Hinge Scharniere Charnière Bisagra	S42189-000	2
	Countersunk + screw (2,7 x 16) versenkte Schraube (16 x 2,7) Vis + fraisée (2,7 x 16) Avellanado + tornillo (2,7 x 16)	034281-605	8
I	Stiffening plate Versteifungsplatte Plaque de raidissement Placa de refuerzo	106292-001	3
	Countersunk + screw (3,5 x 16) Versenkte Schraube (16 x 3,5) Vis + fraisée (3,5 x 16) Avellanado + tornillo (3,5 x 16)	034361-606	6

5-2. Installing the machine head support
 5-2. Montage der Maschinenoberteilstützplatten
 5-2. Installation du support de tête de machine
 5-2. Instalación del soporte de la cabeza de la máquina



1. Install the two machine head support plates ① to the machine head support ②.
2. When using a solenoid-type presser foot lifter, pass the three solenoid-type presser lifter hanging bolts ③ through the three holes ④ in the machine head support ②.
3. Install the machine head support ② to the underside of the table with the four bolts ④ (The number of bolts ④ becomes five when a solenoid-type presser foot lifter is used.)
4. Install the chain guide ⑤ to the chain guide mounting hole in the machine head support ②. (Refer to page 9-10.)
5. Place the four rubber cushions ⑥ onto the machine head support plates ①.

1. Bringen Sie die beiden Maschinenoberteilstützplatten ① an der Maschinenoberteilstütze ② an.
2. Bei Verwendung eines Solenoid-Stoffdrückerfußhebers stecken Sie die drei Schrauben ③ durch die drei Löcher ④ der Maschinenoberteilstütze ②.
3. Befestigen Sie die Maschinenoberteilstütze ② mit den vier Schrauben ④ an der Unterseite des Nähtisches (Bei Verwendung eines Solenoid-Stoffdrückerfußhebers werden 5 Schrauben ④ verwendet.)
4. Bringen Sie die Kettenführung ⑤ am Kettenführungsloch in der Maschinenoberteilstütze ② an. (Siehe Seite 9-10.)
5. Bringen Sie die vier Gummidämpfer ⑥ an den Maschinenoberteilstützplatten ① an.

1. Monter les deux plaques ① de support de tête de machine sur le support ② de tête de machine.
2. Lorsqu'on utilise un pied presseur à solénoïde, passer les trois boulons de pose ③ de pied presseur à solénoïde par les trois trous ④ dans le support ② de la tête de machine.
3. Monter le support ② de tête de machine sur le dessous de la table à l'aide des quatre boulons ④ (Il faut utiliser cinq boulons ④ lorsqu'on utilise un releveur de pied presseur à solénoïde.)
4. Monter le guide-chaînette ⑤ sur le trou de montage du guide-chaînette dans le support ② de tête de machine. (Se reporter à la page 9-10.)
5. Placer les quatre coussinets ⑥ en caoutchouc sur les plaques ① de support de tête de machine.

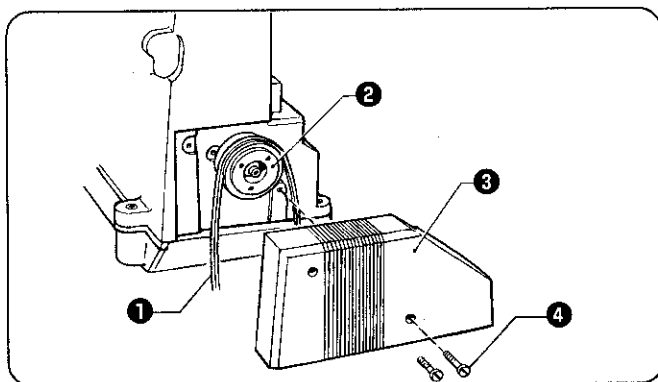
1. Instalar las dos placas de soporte de la cabeza de la máquina ① para soportar la cabeza de la máquina ②.
2. Cuando se use un levantador de prensatelas de tipo solenoide, pasar los tres pernos colgantes del levantador de prensatelas de tipo solenoide ③ a través de los tres orificios ④ en el soporte de la cabeza de la máquina ②.
3. Instalar el soporte de la cabeza de la máquina ② del lado de abajo de la mesa con los cuatro pernos ④ (El número de pernos ④ se vuelve cinco cuando se usa un levantador de prensatelas de tipo solenoide.)
4. Instalar la guía de cadena ⑤ en el orificio de montaje de la guía de cadena en el soporte de la cabeza de la máquina ②. (Consultar la página 9-10.)
5. Colocar las cuatro almohadillas de caucho ⑥ en las placas de soporte de la cabeza de la máquina ①.

5-3. Installing the belt cover

5-3. Montage des Riemenschutzes

5-3. Installation du couvercle de courroie

5-3. Instalación de la cubierta de la correa



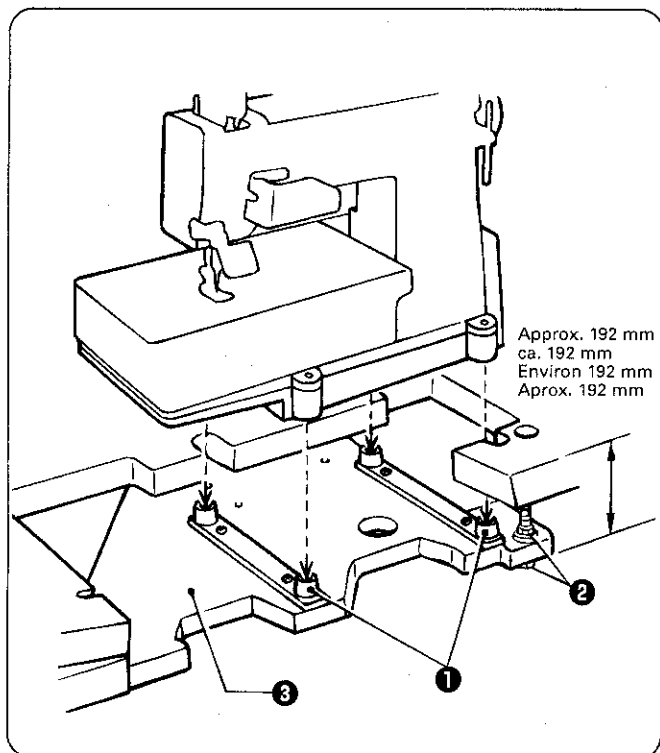
1. Place the V-belt ① onto the V-belt pulley ②.
2. Install the belt cover ③ to the machine head with the two screws ④.

1. Bringen Sie den Keilriemen ① an der Riemenscheibe ② an.
2. Montieren Sie den Riemenschutz ③ mit den beiden Schrauben ④ am Maschinenoberteil.

1. Placer la courroie en V ① sur la poulie de courroie en V ②.
2. Monter le couvercle de courroie ③ sur la tête de machine à l'aide des deux vis ④.

1. Colocar la correa en V ① en la polea de la correa en V ②.
2. Instalar la cubierta de la correa ③ en la cabeza de la máquina con dos tornillos ④.

5-4. Installing the machine head
5-4. Montage des Maschinenoberteils
5-4. Installation de la tête de machine
5-4. Instalación de la cabeza de la máquina



* Be careful not to damage the cords when installing the machine head.

1. Place the machine head on top of the rubber cushions ①.
2. Turn the nuts ② to adjust the height of the machine head support ③ so that the top of the machine bed is approximately 3 mm higher than the top of the work table.

* Bei der Montage des Maschinenoberteils dürfen die Kabel nicht beschädigt werden.

1. Stellen Sie das Maschinenoberteil auf die Gummidämpfer ①.
2. Stellen Sie die Höhe der Maschinenoberteilstütze ③ mit den Muttern ② so ein, daß das Maschinenunterteil etwa 3 mm höher als die Näh­tischoberseite ist.

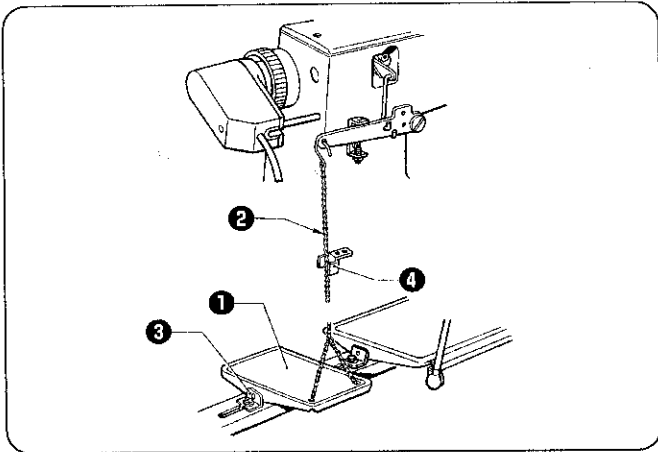
* Veiller à ne pas endommager les cordons lorsqu'on installe la tête de machine.

1. Placer la tête de machine sur les coussinets en caoutchouc ①.
2. Tournez les écrous ② pour régler la hauteur du support ③ de tête de machine de manière que le haut du plateau de machine soit environ 3 mm plus haut que le haut de la table de travail.

* Tener cuidado de no dañar las cuerdas cuando instala la cabeza de la máquina.

1. Colocar la cabeza de la máquina sobre las almohadillas de caucho ①.
2. Girar las tuercas ② para ajustar la altura del soporte de la cabeza de la máquina ③ de manera que la parte de arriba de la cama de la máquina se encuentre 3 mm más arriba que la parte de arriba de la mesa de trabajo.

- 5-5. Installing the presser lifter pedal (When not using an automatic presser foot lifter)
 5-5. Montage des Stoffdrückerfußpedals (Wenn kein automatischer Stoffdrückerfußheber verwendet wird)
 5-5. Installation de la pédale du relève-presseur (Lorsqu'on n'utilise pas un releveur de pied presseur à solénoïde)
 5-5. Instalación del pedal levantador del prensatelas (Cuando no se use un levantador de prensatelas automático)



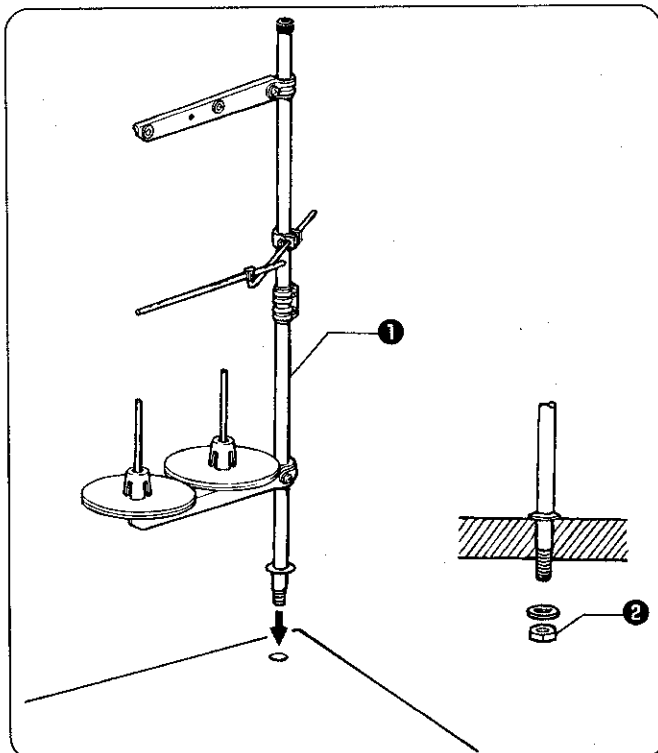
1. Install the presser lifter pedal ① and the chain ② as shown in the illustration.
2. Fix the position of the presser lifter pedal ① with the pedal blocks ③ so that the chain ② is straight.
3. Pass the chain ② through the chain guide ④ fork.

1. Montieren Sie das Stoffdrückerfußpedal ① und die Kette ② wie in der Abbildung gezeigt.
2. Das Stoffdrückerfußpedal ① mit den Pedalanschlügen ③ so positionieren, daß die Kette ② gerade ist.
3. Die Kette ② durch die Kettenführung ④ ziehen.

1. Installer la pédale ① de releveur de pied presseur et la chaînette ② de la manière indiquée sur l'illustration.
2. Fixer la pédale du relève-presseur ① avec les cales à pédale ③, de sorte que la chaîne ② soit tendue.
3. Passer la chaîne ② à travers la fourchette du guide-chaîne ④.

1. Instalar el pedal del levantador del prensatelas ① y la cadena ② tal como se muestra en la figura.
2. Asegurar la posición del pedal levantador del prensatelas ① con los bloques de pedal ③ de tal forma que la cadena ② quede tensa.
3. Pasar la cadena ② por la horquilla de la guía de cadena ④.

- 5-6. Installing the cotton stand
 5-6. Montage des Spulenträgers
 5-6. Installation de la broche porte-bobine
 5-6. Instalación del soporte del carrete



1. Assemble the cotton stand ① while referring to the cotton stand instruction manual.
2. Install the cotton stand ① to the cotton stand mounting hole in the work table with the nut ②.

1. Setzen Sie den Spulenträger ①, wie in der Anleitung beschrieben.
2. Befestigen Sie den Spulenträger ① mit der Mutter ② am Nähtischloch.

1. Assembler la broche porte-bobine ① en se reportant au manuel d'instructions de la broche porte-bobine.
2. Installer la broche porte-bobine ① sur le trou de montage de broche porte-bobine situé dans la table de travail à l'aide de l'écrou ②.

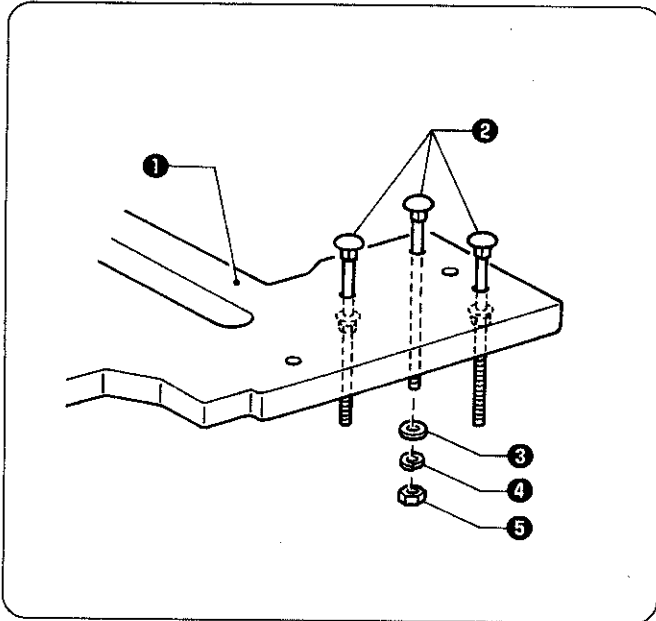
1. Armar el soporte del carrete ① consultando el manual de instrucciones del soporte.
2. Instalar el soporte del carrete ① en su orificio de instalación en la mesa de trabajo usando la tuerca ②.

5-7. Installing the solenoid-type presser foot lifter (UT13, option)

5-7. Montage des Solenoid-Stoffdrückerfußhebers (UT13, Sonderausrüstung)

5-7. Installation du releveur de pied presseur à solénoïde (UT13, option)

5-7. Instalación del levantador del prensatelas de tipo solenoide (UT13, opción)

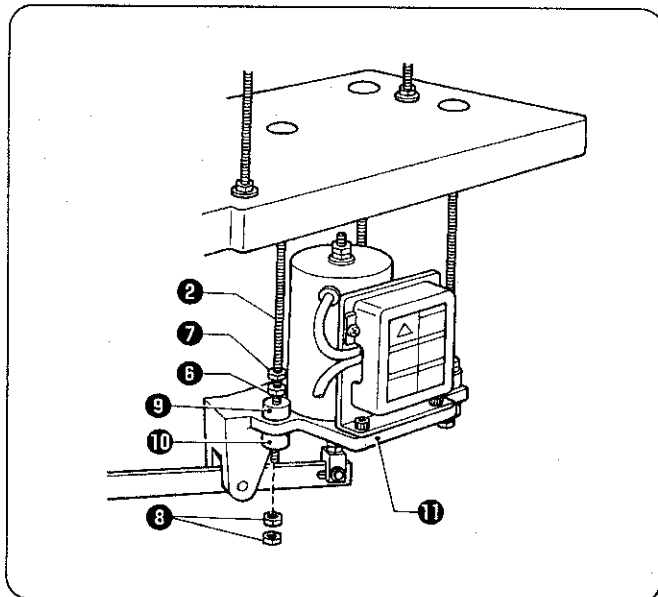


1. Prepare the work table and the machine head support to receive the solenoid-type presser foot lifter. (Refer to pages 10 - 14.)
2. Secure the three bolts **2** which were passed through the machine head support **1** from above to the machine head support **1** with the washers **3**, spring washers **4** and nuts **5**.

1. Bereiten Sie den Nähtisch und die Maschinenoberteilstütze für die Montage des Solenoid-Stoffdrückerfußes vor. (Siehe Seite 10 bis 14.)
2. Sichern Sie die drei Schrauben **2**, die von oben durch die Maschinenoberteilstütze **1** gesteckt wurden mit den Unterlegscheiben **3**, den Federscheiben **4** und den Muttern **5**.

1. Préparer la table de travail et le support de tête de machine pour le montage du releveur de pied presseur à solénoïde. (Se reporter aux pages 10 à 14.)
2. Fixer par le dessus les trois boulons **2** que l'on a auparavant fait passer par le support **1** de tête de machine sur le support **1** de tête de machine à l'aide des rondelles **3**, des rondelles à ressort **4** et des écrous **5**.

1. Preparar la mesa de trabajo y el soporte de la cabeza de la máquina para recibir el levantador del prensatelas de tipo solenoide. (Consultar las páginas 10 - 14.)
2. Asegurar los tres pernos **2** que hayan sido pasados por el soporte de la cabeza de la máquina **1** desde arriba al soporte de la cabeza de la máquina **1** con las arandelas **3**, las arandelas de resorte **4** y las tuercas **5**.

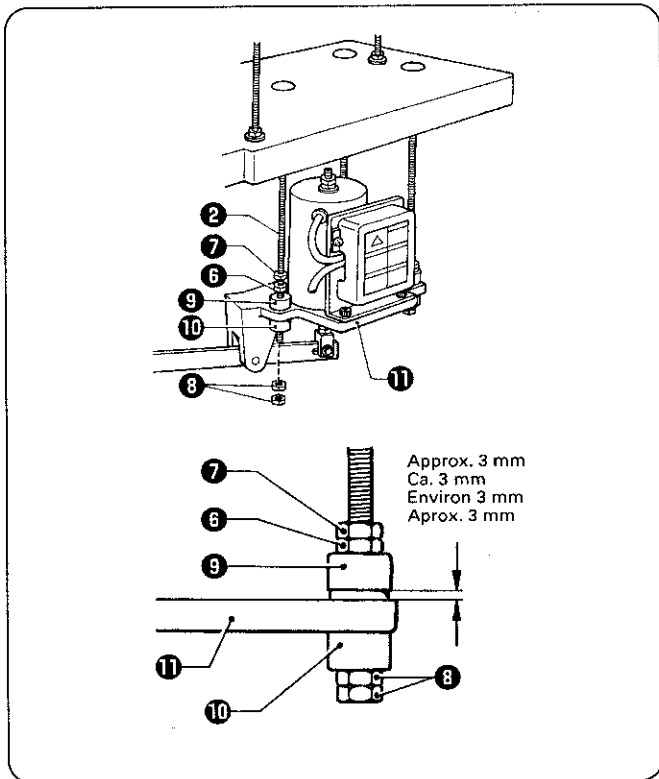


3. Place the nuts **7** and **6**, the cushioning washers **9**, the solenoid bracket **11**, the cushioning washers **10** and then the nuts **8** onto the bolts **2** in that order.
4. Turn the nuts **8** so that they are securely against each other and the lower ones are flush with the ends of the bolts **2**.

3. Die Muttern **7** und **6** einschrauben, the Dämpfungsscheiben **9**, die Magnethalterung **11** und die Dämpfungsscheiben **10** einsetzen und mit den Schrauben **8** an den Bolzen **2** befestigen.
4. Die Muttern **8** aufschrauben, so daß sie mit dem Bolzen **2** bündig sind und gegeneinander festziehen, um sie zu sichern.

3. Placer les écrous **7** et **6**, les rondelles d'amortissement **9**, le support de solénoïde **11**, les rondelles d'amortissement **10** puis les écrous **8**, dans cet ordre, sur les boulons **2**.
4. Tourner les écrous **8**, de façon qu'ils soient bien serrés l'un contre l'autre et que ceux du dessous arrivent à fleur des extrémités des boulons **2**.

3. Colocar, en el siguiente orden, las tuercas **7** y **6**, las almohadillas **9**, la ménsula de solenoide **11**, las almohadillas **10** y luego las tuercas **8** en los pernos **2**.
4. Girar las tuercas **8** de forma que queden seguras una contra otra y que las de más abajo queden a nivel con los extremos de los pernos **2**.



5. After turning the upper nuts **6** so that they touch the cushioning washers **9**, turn them a further 1/2 turn, and then secure them with the nuts **7**.

6. Check to be sure that the gap between the solenoid bracket **11** and each of the cushioning washers **9** is approximately 3 mm.

5. Die oberen Muttern **6** drehen bis sie die Dämpfungsscheiben **9** berühren und um eine weitere halbe Umdrehung festziehen und mit den Schrauben **7** sichern.

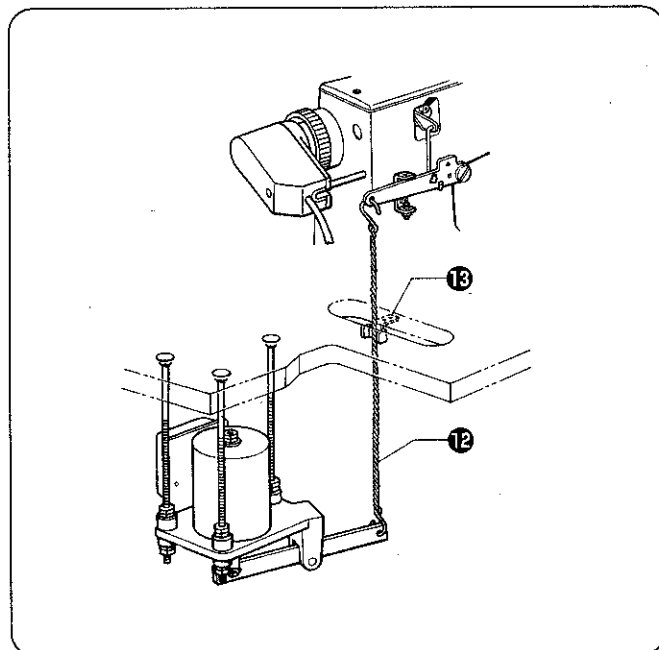
6. Kontrollieren, ob der Abstand zwischen der Magnethalterung **11** und der Dämpfungsscheiben **9** ungefähr 3 mm beträgt.

5. Après avoir tourné les boulons du dessus **6** de façon qu'ils entrent en contact avec les rondelles d'amortissement **9**, les tourner, encore d'un demi tour, puis les serrer fermement au moyen des écrous **7**.

6. Vérifier que l'écart entre le support de solénoïde **11** et chacune des rondelles d'amortissement **9** est d' environ 3 mm.

5. Luego de girar las tuercas superiores **6** de forma que toquen las almohadillas **9**, girarlas otara 1/2 vuelta y asegurar las con las tuercas **7**.

6. Verificar que la separación entre la ménsula de solenoide **11** y cada una de las almohadillas **9** sea aproximadamente 3 mm.

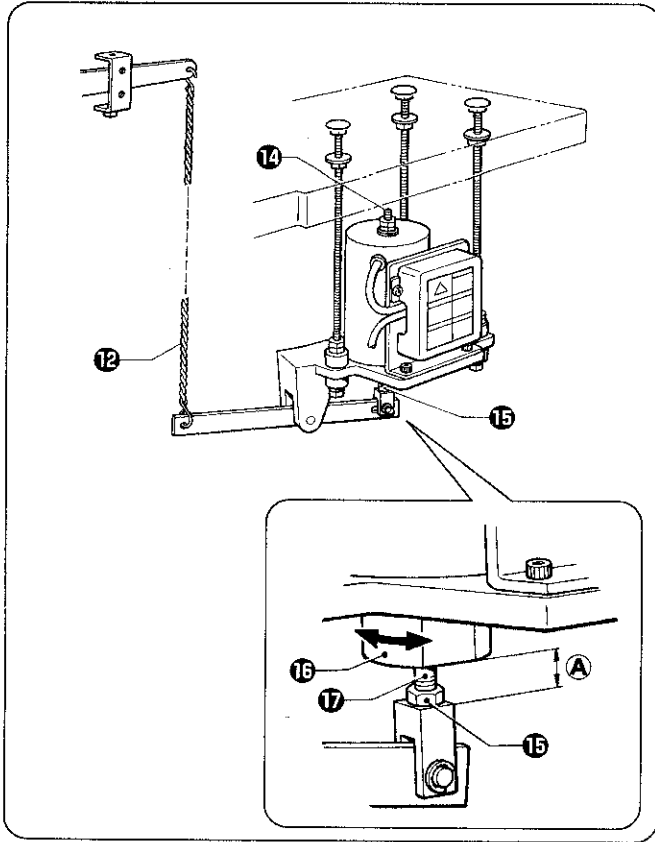


7. Install the chain **12** as shown in the illustration, and then pass it through the fork of the chain guide **13**.

7. Bringen Sie die Kette **12** wie in der Abbildung gezeigt an und ziehen Sie sie durch die Gabel der Kettenführung **13**.

7. Installer la chaîne **12** comme indiqué sur l'illustration, puis la passer par la fourche du guide-chaîne **13**.

7. Instalar la cadena **12** tal como se indica en la figura, y luego pasarla a través de la horquilla de la guía de cadena **13**.



8. Adjust so that there is a small amount of looseness in the chain 12 when the presser foot lifter plunger 14 is lowered.
- (1) Loosen the nut 15.
 - (2) Adjust the tension of the chain 12 by turning the plunger 16 to adjust the amount of protrusion (dimension A) of the plunger shaft 17.
 - (3) Tighten the nut 15.

- * If the chain 12 is too loose, the presser foot lift amount will become smaller.
- * If the chain 12 is too tight, the presser foot will not be able to apply sufficient enough pressure to the material during sewing.

9. Check the presser foot lift amount. (Refer to page 71.)

8. Stellen Sie die Kette 12 so ein, daß beim Absenken des Stoffdrückerfußheberstopfens 14 ein geringes Spiel vorhanden ist.

- (1) Lösen Sie die Mutter 15.
- (2) Stellen Sie die Spannung der Kette 12 durch Drehen des Stopfens 16 ein, um den Vorstand (Abmessung A) der Stange 17 einzustellen.
- (3) Ziehen Sie die Mutter 15 wieder fest.

- * Bei zu lockerer Kette 12 verkleinert sich der Hub des Stoffdrückerfußhebers.
- * Bei zu straff gespannter Kette 12 kann der Stoffdrückerfuß während dem Nähen nur einen unzureichenden Druck auf das Nähgut ausüben.

9. Kontrollieren Sie den Hub des Stoffdrückerfußhebers. (Siehe Seite 71.)

8. Effectuer le réglage de manière que la chaîne 12 soit légèrement détendue lorsque le plongeur 14 du releveur de pied presseur est abaissé.

- (1) Desserrer l'écrou 15.
- (2) Régler la tension de la chaîne 12 en tournant le plongeur 16 pour régler la quantité de saillie (dimension A) de l'arbre de plongeur 17.
- (3) Resserrer l'écrou 15.

- * Si la chaîne 12 est trop détendue, la quantité de relèvement du pied presseur diminue.

- * Si la chaîne 12 est trop tendue, le pied presseur ne pourra pas appliquer une pression suffisante sur le tissu pendant la couture.

9. Vérifier la quantité de relèvement du pied presseur. (Se reporter à la page 71.)

8. Ajustar de manera que haya una pequeña flojedad en la cadena 12 cuando el émbolo del levantador del prensatelas 14 está abajo.

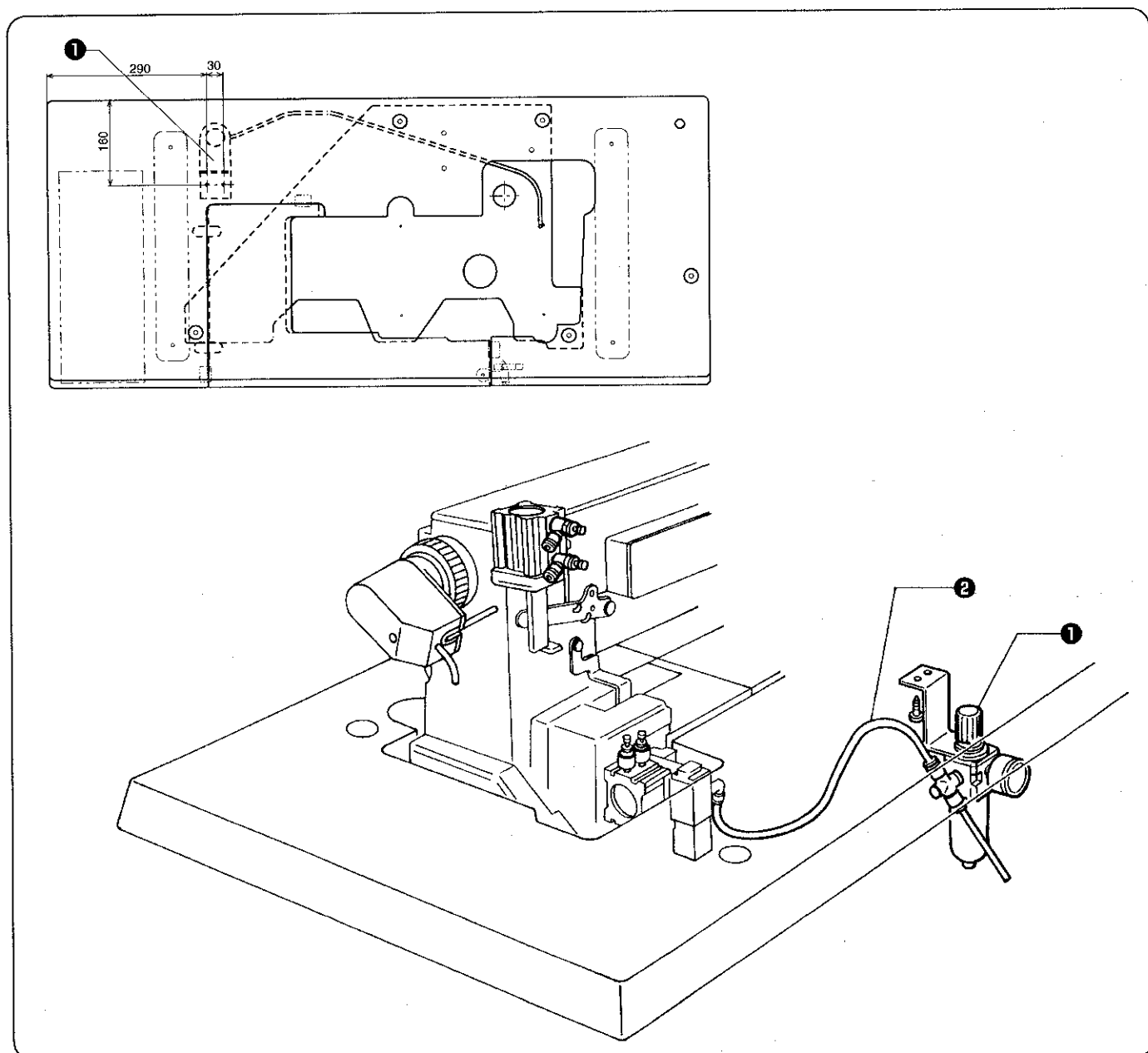
- (1) Aflojar la tuerca 15.
- (2) Ajustar la tensión de la cadena 12 girando el émbolo 16 para ajustar la saliente (dimensión A) del eje del émbolo 17.
- (3) Apretar la tuerca 15.

- * Si la cadena 12 está demasiado floja, la elevación del prensatelas será menor.

- * Si la cadena 12 está demasiado apretada, el prensatelas no podrá aplicar suficiente presión al material durante la costura.

9. Verificar la elevación del prensatelas. (Consultar la página 71.)

5-8. Installing the air unit assembly (UT21, UT23)
5-8. Montage der Drucklufteinheit (UT21, UT23)
5-8. Installation de l'unité pneumatique (UT21, UT23)
5-8. Instalación del conjunto de la unidad neumática (UT21, UT23)



1. Install the air unit assembly ❶ to the work table as shown in the above illustration.
2. Connect the air tube ❷.





1. Bringen Sie die Drucklufteinheit ❶ wie in der obenstehenden Abbildung gezeigt am Nähtisch an.
2. Schließen Sie die Druckluftleitung ❷ an.

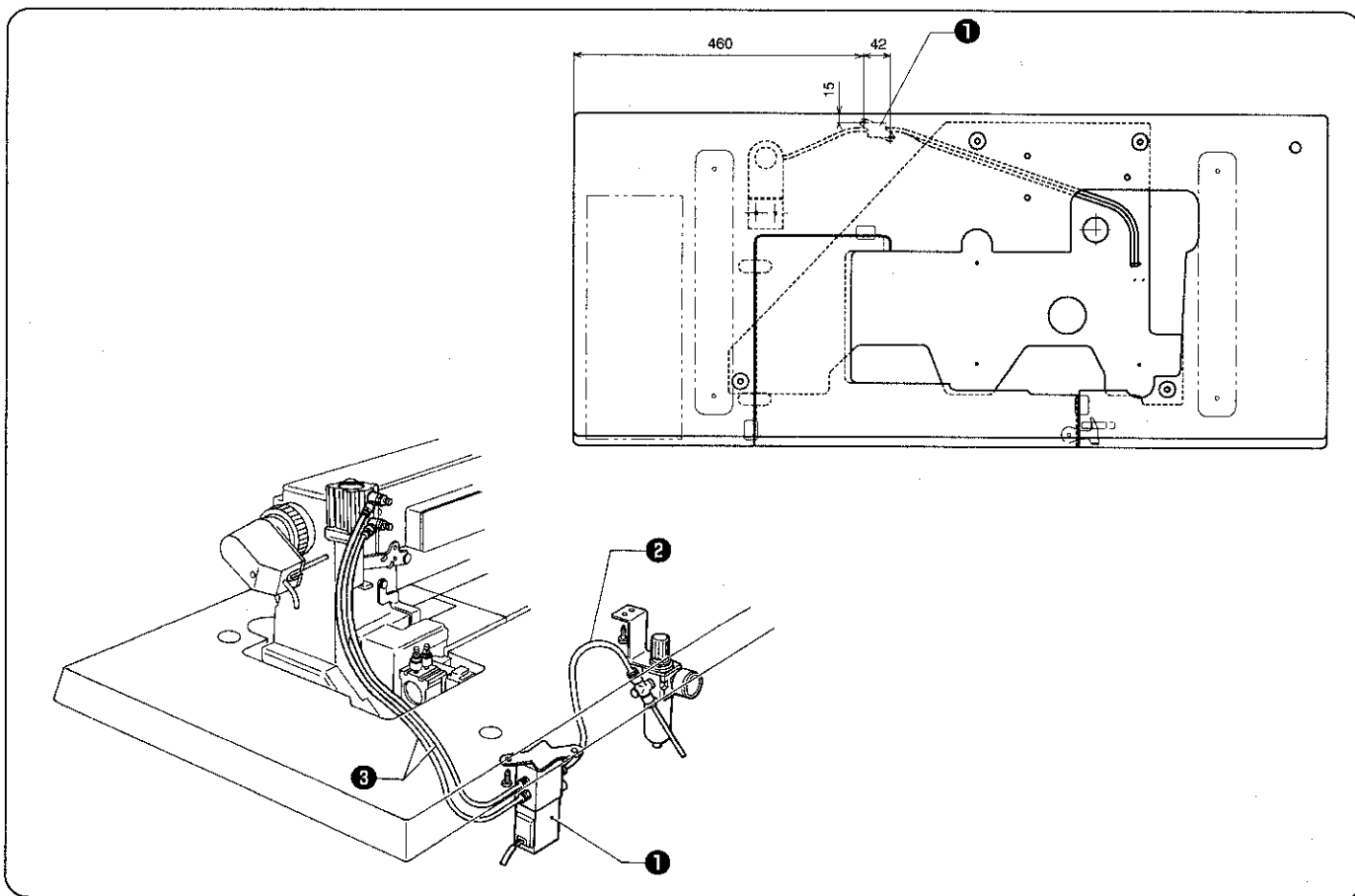
1. Installer l'unité pneumatique ❶ sur la table de travail comme indiqué sur l'illustration ci-dessus.
2. Brancher le tube à air ❷.

1. Instalar el conjunto de la unidad neumática ❶ en la mesa de trabajo tal como se indica en la figura anterior.
2. Conectar la tubería de aire ❷.

5-9. Installing the pneumatic-type presser foot lifter (UT23, option)
5-9. Montage des pneumatischen Stoffdrückerfußhebers (UT23, Sonderausrüstung)
5-9. Installation du releveur de presseur pneumatique (UT23, option)
5-9. Instalación de elevador de prensatelas de tipo neumático (UT23, opción)

⚠ CAUTION/ACHTUNG/ATTENTION/ATENCIÓN

-  • If using pneumatic devices, disconnect the air hoses from the air supply and wait for the needle on the pressure gauge to drop to "0" before carrying out installation.
-  • Falls pneumatische Vorrichtungen verwendet werden, müssen Sie die Druckluftschläuche von der Druckluftversorgung lösen und warten bis die Manometernadel auf den Wert "0" abgefallen ist, bevor Sie mit der Montage beginnen.
-  • Si l'on utilise des dispositifs pneumatiques, débrancher les tuyaux d'air de l'alimentation d'air et attendre que l'aiguille de la jauge de pression soit descendue jusqu'à "0" avant d'entreprendre l'installation.
-  • Si se usan dispositivos neumáticos, desconectar las tuberías de aire del suministro de aire y esperar para que la aguja en el medidor de presión caiga a "0" antes de realizar la instalación.



1. Install the presser lifter valve assembly **1** to the work table as shown in the above illustration.
2. Connect the air tubes **2** (310mm) and **3** (900mm).





1. Bringen Sie das Stoffdrückerfußheberventil **1** wie in der obenstehenden Abbildung gezeigt am Nähtisch an.
2. Die Druckluftleitungen **2** (310mm) und **3** (900mm) anschließen.

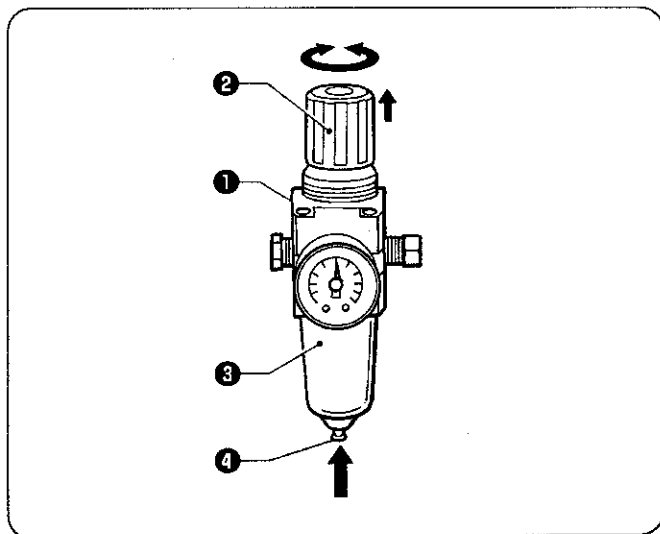
1. Installer l'ensemble de soupape de releveur de pied presseur **1** sur la table de travail comme indiqué sur l'illustration ci-dessus.
2. Raccorder les tubes à air **2** (310mm) et **3** (900mm).

1. Instalar el conjunto de la válvula del levantador de prensatelas **1** en la mesa de trabajo tal como se indica en la figura anterior.
2. Conectar la cañería de aire **2** (310mm) y **3** (900mm).

5-10. Adjusting the air pressure
5-10. Einstellen des Luftdrucks
5-10. Réglage de la pression d'air
5-10. Ajuste de la presión de aire

⚠ CAUTION/ACHTUNG/ATTENTION/ATENCIÓN

-  • If the power switch and air need to be left on when carrying out some adjustment, be extremely careful to observe all safety precautions.
-  • Falls bestimmte Einstellungen bei eingeschaltetem Netzschalter und eingeschalteter Druckluft vorgenommen werden, so müssen die Sicherheitsmaßnahmen sorgfältig beachtet werden.
-  • Si l'on veut laisser l'interrupteur d'alimentation et l'alimentation d'air sur la position de marche pendant qu'on effectue des réglages, veiller à respecter rigoureusement toutes les consignes de précaution.
-  • Si el interruptor principal y el aire deben de quedar activados mientras se realiza un ajuste, tenga mucho cuidado en tener en cuenta todas las precauciones de seguridad.



The air pressure should be set to 0.49 MPa (5 kgf/cm²) before use.

1. Pull up the knob **2** of the air unit **1**, and turn it to adjust the air pressure.
 2. After adjusting, push the knob **2** back in.
- * If water collects in the bottle **3**, turn off the air, and then push the button **4** in the direction of the arrow to drain the water.
Use this procedure when bleeding the air also.

Vor der Inbetriebnahme muß der Luftdruck auf 0,49 MPa (5 kg/cm²) eingestellt werden.

1. Ziehen Sie den Knopf **2** der Drucklufteinheit **1** und drehen Sie ihn zum Einstellen des Luftdrucks.
 2. Drücken Sie nach dem Einstellen des Luftdrucks den Knopf **2** wieder zurück.
- * Falls sich im Behälter **3** Wasser abgeschieden hat, schalten Sie die Druckluft aus und drücken Sie den Knopf **4** zum Ablassen des Wassers in Pfeilrichtung.
Auf die gleiche Weise können Sie den Überdruck im System ausgleichen.

La pression d'air doit être réglée à 0,49 MPa (5 kgf/cm²) avant l'utilisation.

1. Soulever le bouton **2** de l'unité pneumatique **1**, puis le tourner pour régler la pression d'air.
 2. Après le réglage, enfoncer à nouveau le bouton **2**.
- * Si de l'eau s'accumule dans la bouteille **3**, couper l'alimentation d'air, puis pousser le bouton **4** dans le sens de la flèche pour évacuer l'eau.
Utiliser aussi cette procédure pour évacuer l'air.

Antes de usar la presión de aire debe ser ajustada a 0,49 MPa (5 kgf/cm²).

1. Tirar de la perilla **2** de la unidad de aire **1**, y girarla para ajustar la presión del aire.
 2. Después de ajustar, empujar la perilla **2** de vuelta hacia adentro.
- * Si se junta agua en la botella **3**, apagar el aire, y luego empujar el botón **4** en la dirección de la flecha para drenar el agua.
Usar este procedimiento también para purgar el aire.

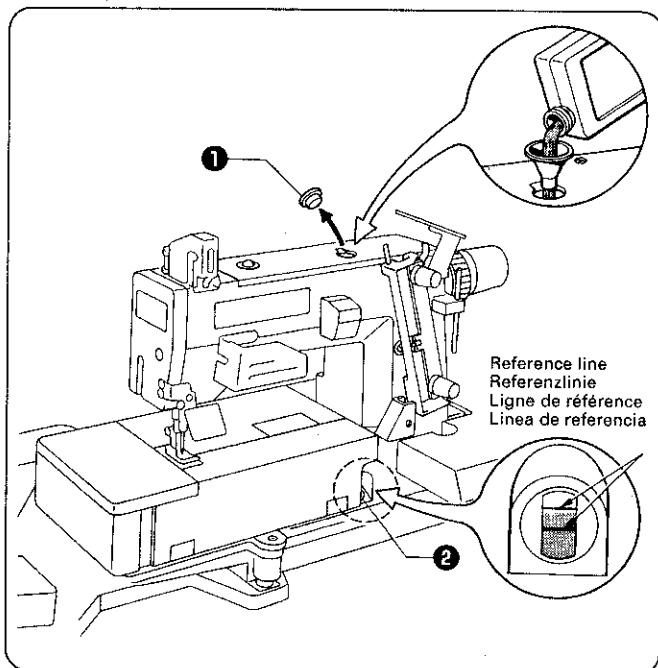
5-11. Lubrication
 5-11. Schmierung

5-11. Lubrification
 5-11. Lubricación

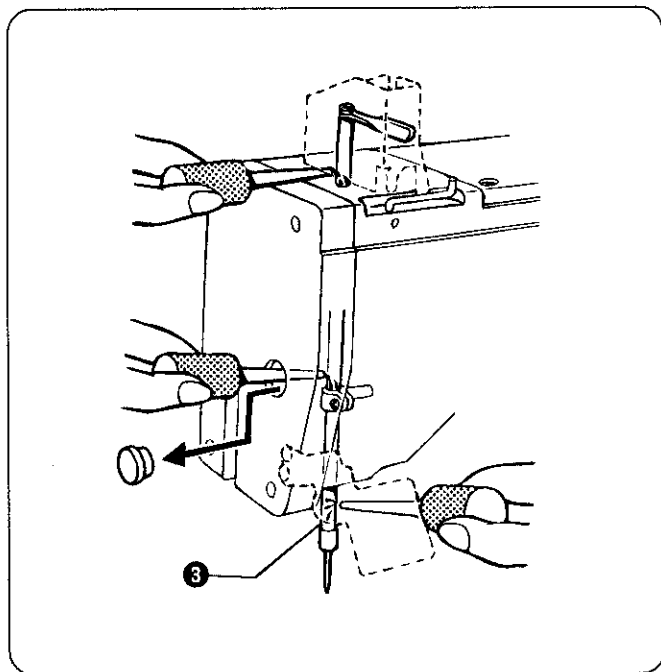
⚠ CAUTION/ACHTUNG/ATTENTION/ATENCION

- ⊘ Be sure to wear protective goggles and gloves when handling the lubricating oil, so that no oil gets into your eyes or onto your skin, otherwise inflammation can result. Furthermore, do not drink the oil under any circumstances, as they can cause vomiting and diarrhoea. Keep the oil out of the reach of children.
- ⊘ Tragen Sie zur Handhabung von Schmieröl eine Schutzbrille und Schutzhandschuhe. Falls Öl in die Augen oder auf die Haut gelangt, können sich diese Stellen entzünden. Bei irrtümlicher Einnahme von Öl kann Erbrechen und Durchfall auftreten. Bewahren Sie das Öl nicht in Reichweite von Kindern auf.
- ⊘ Veiller à mettre des lunettes et des gants de protection lors de la manipulation d'huile lubrifiante, afin de préserver les yeux et la peau de tout contact avec l'huile, et d'éviter tout risque d'inflammation. De plus, l'ingestion de l'huile est à proscrire absolument, car elle pourrait causer des vomissements et des diarrhées. Ranger l'huile hors de portée des enfants.
- ⊘ Asegurarse de usar anteojos de seguridad y guantes al manipular aceites lubricantes, de manera que el aceite lubricante no salpique sus ojos o la piel, de lo contrario podrían resultar inflamados. Además, bajo ningún concepto beba aceite lubricante pues podría ocasionar vómitos y diarrea. Mantener el aceite lubricante lejos del alcance de los niños.

- The sewing machine should always be lubricated and the oil supply replenished before it is used for the first time, and also after long periods of non-use.
- Use only the lubricating oil (Nisseki Sewing Lube 15) specified by Brother.
- Vor der ersten Inbetriebnahme oder wenn die Maschine längere Zeit nicht verwendet wurde, muß die Maschine immer geschmiert und Öl nachgefüllt werden.
- Verwenden Sie nur das von Brother vorgeschriebene Schmieröl (Nisseki Sewing Lube 15).
- Il faut toujours effectuer la lubrification de la machine à coudre et faire le plein d'huile avant d'utiliser la machine pour la première fois, et aussi lorsque la machine n'a pas été utilisée pendant une longue période.
- Utiliser seulement l'huile de lubrification (Nisseki Sewing Lube 15) recommandée par Brother.
- La máquina de coser debe ser lubricada y se le debe agregar aceite antes de ser usada por primera vez, también después de no usarla durante períodos largos de tiempo.
- Usar sólo aceite lubricante (Nisseki Sewing Lube 15) especificado por Brother.



1. Remove the rubber plug ①, and then use a funnel to pour lubricating oil into the machine head until the oil level reaches the upper reference line of the oil gauge ②.
 * If the oil level drops to the lower reference line in the oil gauge ②, add more lubricating oil.
1. Entfernen Sie den Gummistopfen ① und füllen Sie mit einem Trichter Öl in das Maschinenoberteil, so daß sich der Ölstand an der oberen Bezugslinie des Sichtglases ② befindet.
 * Falls der Ölstand bis zur unteren Bezugslinie des Sichtglases ② abgefallen ist, muß Öl nachgefüllt werden.
1. Retirer le bouchon en caoutchouc ①, puis, à l'aide d'un entonnoir, verser de l'huile lubrifiante dans la tête de machine jusqu'à ce que le niveau d'huile atteigne la ligne de référence supérieure de la jauge d'huile ②.
 * Si le niveau d'huile baisse jusqu'à la ligne de référence inférieure de la jauge d'huile ②, ajouter de l'huile lubrifiante.
1. Quitar el tapón de caucho ①, y luego usar un embudo para agregar aceite lubricante en la cabeza de la máquina hasta que el nivel de aceite llegue a la línea de referencia del medidor de aceite ②.
 * Si el nivel de aceite del medidor baja por debajo de la línea de referencia inferior en el medidor de aceite ②, agregar más aceite lubricante.

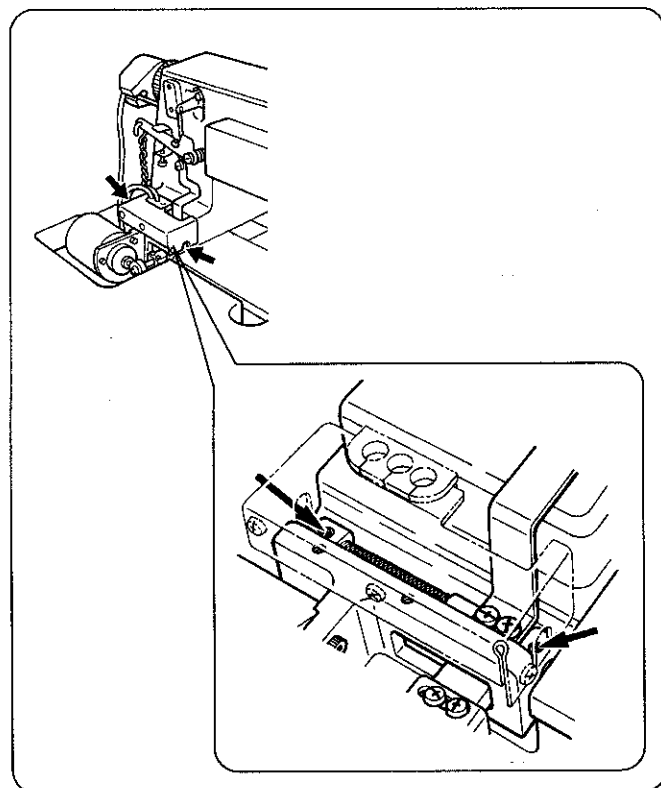


2. The first time the machine is used, and the first time the machine is used after being idle for several days, apply 2 or 3 drops of oil to the needle bar ③ before starting to sew.

2. Wenn die Maschine zum ersten Mal oder nach einer Standzeit von einige Tagen in Betrieb genommen wird, muß die Nadelstange ③ vor dem Nähbeginn mit 2 bis 3 Tropfen Öl geschmiert werden.

2. Lorsque la machine est mise en marche pour la première fois, ou après plusieurs jours de non utilisation, appliquer 2 ou 3 gouttes d'huile sur la barre à aiguille ③ avant que la machine commence à coudre.

2. Cuando se usa la máquina de coser por primera vez y cuando se usa la máquina después de haberla dejado sin usar durante varios días, colocar 2 ó 3 gotas de aceite en la barra de agujas ③ antes de comenzar a coser.



3. Apply 2 - 3 drops of lubricating oil to both the thread trimmer driving shaft and the bearing in the places indicated by the arrows.
 (Repeat this operation once every 2 - 3 days.)

3. Tragen Sie an den mit Pfeilen bezeichneten Stellen 2 bis 3 Tropfen Öl auf die Fadenabschneiderwelle und das Lager auf.
 (Tragen Sie das Öl alle 2 bis 3 Tage auf.)

3. Mettre deux ou trois gouttes d'huile de lubrification sur l'arbre d'entraînement du coupe-fils et sur le roulement aux emplacements indiqués par les flèches.
 (Répéter cette opération tous les deux ou trois jours.)

3. Aplicar 2 - 3 gotas de aceite lubricante al eje de impulsión del cortahilos y el cojinete en los lugares indicados por las flechas.
 (Repetir esta operación una vez cada 2 - 3 días.)

5-12. Checking the machine pulley rotating direction

5-12. Kontrolle der Nähmaschinen-Riemenscheibendrehrichtung

5-12. Vérification du sens de rotation de la poulie de machine

5-12. Verificación de la dirección de rotación de la polea de la máquina

⚠ CAUTION/ACHTUNG/ATTENTION/ATENCIÓN



- Do not touch any of the moving parts or press any objects against the machine while sewing, as this may result in personal injury or damage to the machine.



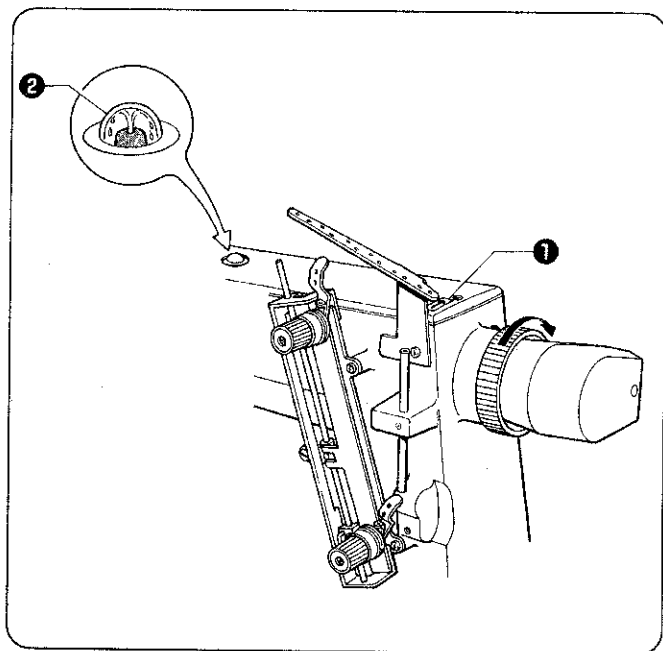
- Berühren Sie keine sich bewegenden Teile und drücken Sie auch keine Gegenstände an solche Teile, weil Sie sich verletzen können und die Nähmaschine beschädigt werden kann.



- Ne toucher aucune des parties mobiles, et ne pas presser d'objets contre la machine pendant la couture, car ceci pourrait causer des blessures ou endommager la machine.



- No tocar ninguna de las piezas móviles o presionar ningún objeto contra la máquina al coser, pues podría resultar en heridas o la máquina podría resultar dañada.



1. Insert the power cord plug into the wall outlet, and then turn on the power switch.
2. Depress the treadle slightly and check that the machine pulley starts to turn in the direction of the arrow ①.
 - * Do not allow the machine pulley to turn too fast at this time.
 - * If the rotating direction of the machine pulley is reversed, a mistake has been made in the selection of the motor. Use the correct motor.
3. Depress the treadle and check that the lubricating oil is blown up into the oil sight glass ②.





1. Schließen Sie den Netzstecker an einer Steckdose an und schalten Sie den Netzschalter ein.
2. Drücken Sie das Pedal leicht und kontrollieren Sie, ob sich die Riemenscheibe in Pfeilrichtung ① dreht.
 - * Die Riemenscheibe darf sich nicht zu schnell drehen.
 - * Beim Umkehren der Drehrichtung der Riemenscheibe kann bei der Auswahl des Motors ein Fehler gemacht werden. Verwenden Sie den richtigen Motor.
3. Drücken Sie das Pedal und kontrollieren Sie, ob das Öl im Sichtglas ② nach oben gespritzt wird.

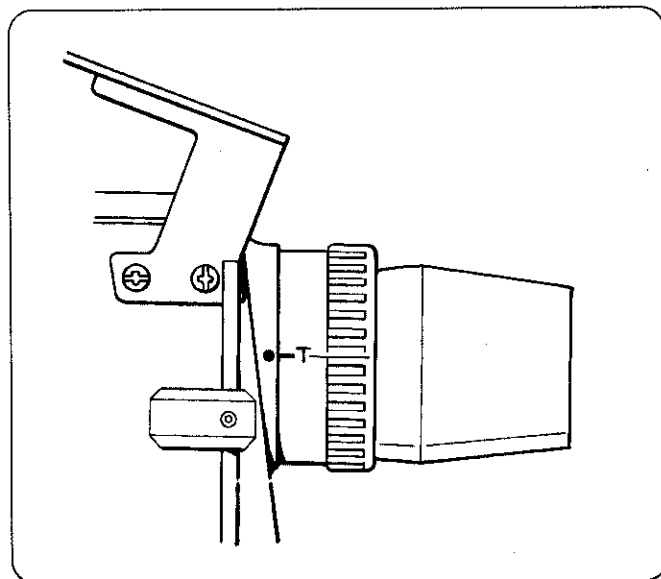
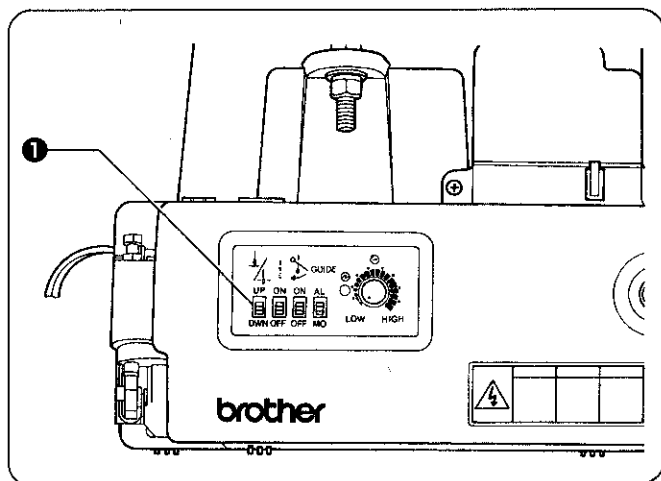
1. Insérer la fiche du cordon d'alimentation dans la prise murale, puis mettre l'interrupteur d'alimentation sur la position de marche.
2. Appuyer légèrement sur la pédale et vérifier que la poulie de machine se mette bien à tourner dans le sens de la flèche ①.
 - * Ne pas faire tourner la poulie de machine trop vite à ce moment.
 - * Si le sens de rotation de la poulie de machine est inversé, alors le choix du moteur est inadéquat. Utiliser le moteur adéquat.
3. Enfoncer la pédale et vérifier que l'huile lubrifiante s'élève bien dans la fenêtre de niveau d'huile ②.

1. Insertar el enchufe del cable de alimentación en el tomacorriente de la pared, y luego conectar el interruptor principal.
2. Pisar el pedal ligeramente y verificar que la polea de la máquina comienza a girar en dirección de la flecha ①.
 - * No permitir que la polea de la máquina gire demasiado rápido en este momento.
 - * Si la dirección de rotación de la polea de la máquina está invertida, se ha cometido un error en la elección del motor. Usar el motor correcto.
3. Pisar el pedal y verificar que el aceite sale hacia arriba en la mirilla del medidor de aceite ②.

5-13. Checking the needle up stop position
5-13. Kontrolle der oberen Nadelstopposition
5-13. Vérification de la position d'arrêt supérieur de l'aiguille
5-13. Verificación de la posición de parada con la aguja levantada

⚠ CAUTION/ACHTUNG/ATTENTION/ATENCIÓN

-  • Do not touch any of the moving parts or press any objects against the machine while sewing, as this may result in personal injury or damage to the machine.
-  • Berühren Sie keine sich bewegenden Teile und drücken Sie auch keine Gegenstände an solche Teile, weil Sie sich verletzen können und die Nähmaschine beschädigt werden kann.
-  • Ne toucher aucune des parties mobiles, et ne pas presser d'objets contre la machine pendant la couture, car ceci pourrait causer des blessures ou endommager la machine.
-  • No tocar ninguna de las piezas móviles o presionar ningún objeto contra la máquina al coser, pues podría resultar en heridas o la máquina podría resultar dañada.



1. Set the needle position switch **1** on the motor control box to the "UP" position.
 1. Stellen Sie den Stoppositionsschalter **1** am Motorschaltkasten in die Position "UP".
 1. Mettre l'interrupteur **1** de position d'aiguille du boîtier de commande du moteur sur la position "UP".
 1. Ajustar el interruptor de posición de aguja **1** en la caja de control del motor a la posición "UP".
2. After depressing the treadle, return the treadle to the neutral position to stop the sewing machine. Check that the T mark on the machine pulley is aligned with the matching mark on the arm as shown in the illustration at this time.
* If the T mark is not aligned with the matching mark, adjust the synchronizer. (Refer to page 89.)
 2. Drücken Sie das Pedal, stellen Sie das Pedal in die Neutralposition zurück und stoppen Sie die Maschine. Kontrollieren Sie, ob die T-Markierung der Riemenscheibe auf die Bezugsmarkierung des Arms ausgerichtet ist, wie in der Abbildung gezeigt.
* Falls die T-Markierungen nicht aufeinander ausgerichtet sind, muß der Synchronisator eingestellt werden. (Siehe Seite 89.)
 2. Après avoir enfoncé la pédale, remettre la pédale en position neutre pour arrêter la machine à coudre. Vérifier que le repère T marqué sur la poulie de machine soit bien aligné à ce moment avec le repère correspondant marqué sur le bras comme indiqué sur l'illustration.
* Si le repère T n'est pas aligné avec le repère correspondant, régler le synchroniseur. (Se reporter à la page 89.)
 2. Después de pisar el pedal, volver el pedal a la posición neutral para parar la máquina de coser. Verificar que la marca T en la polea de la máquina esté alineada con la marca de alineación en el brazo tal como se indica en la figura en este momento.
* Si la marca T no está alineada con la marca de alineación, ajustar el sincronizador. (Consultar la página 91.)

6. PREPARATION BEFORE SEWING 6. VORBEREITUNGEN ZUM NÄHEN 6. PREPARATIFS AVANT LA COUTURE 6. PREPARATIVOS ANTES DE COSER

6-1. Needles 6-1. Nadeln

6-1. Aiguilles 6-1. Agujas

- Use a SCHMETZ and ORGAN UY128GAS needle.
Select the needle size according to the type and thickness of the material being sewn.
- SCHMETZ-und ORGAN-Nadeln UY128GAS verwenden.
Die Nadelgröße nach der Art und der Dicke des zu verarbeitenden Nähguts auswählen.
- Utiliser une aiguille SCHMETZ et une aiguille ORGAN UY128GAS.
Choisir la taille de l'aiguille en fonction du type et de l'épaisseur du tissu à coudre.
- Usar una aguja SCHMETZ u ORGAN UY128GAS.
Seleccionar el tamaño de la aguja de acuerdo al tipo y espesor de tejido que se va a coser.

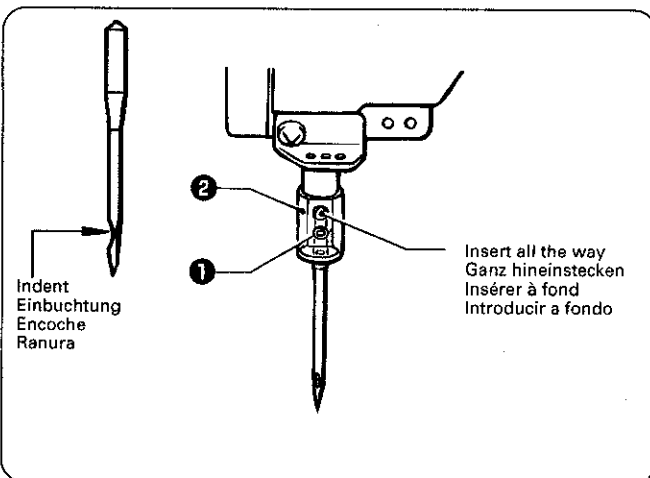
German count/Deutsche Bezeichnung Mesure allemande/Media alemana	65	70	75	80	85	90	95	100	105	110	120
Japanese count/Japanische Bezeichnung Mesure japonaise/Medida japonesa	9	10	11	12	13	14	15	16	17	18	19

6-2. Installing the needle 6-2. Einsetzen der Nadel

6-2. Installation de l'aiguille 6-2. Colocación de la aguja

⚠ CAUTION/ACHTUNG/ATTENTION/ATENCIÓN

- Turn off the power switch before installing the needle, otherwise the machine will operate if the treadle is pressed by mistake, which could result in injury.
- Schalten Sie den Netzschalter vor dem Einsetzen der Nadel aus, weil sonst durch eine unbeabsichtigte Betätigung des Pedals die Maschine in Gang gesetzt und Verletzungen verursachen kann.
- Mettre l'interrupteur d'alimentation sur la position d'arrêt avant d'installer l'aiguille, sinon la machine risquera de se mettre en marche si on enfonce accidentellement la pédale, et donc de causer des blessures.
- Desconectar el interruptor principal antes de colocar la aguja, de lo contrario la máquina podría comenzar a funcionar si por descuido se pisara el pedal, lo que podría resultar en heridas.



1. Turn the machine pulley to move the needle bar to its highest position.
2. Loosen screws ①. Insert the needles all the way into the needle clamp ② with the indent to the back, and re-tighten the screws ①.





1. Stellen Sie die Nadelstange durch Drehen der Nähmaschinenriemenscheibe in die höchste Position.
2. Die Schraube ① lösen und die Nadel mit der eingebuchteten Seite nach hinten gerichtet ganz in die Nadelhalterung ② hineinstecken, und mit den Schraube ① befestigen.

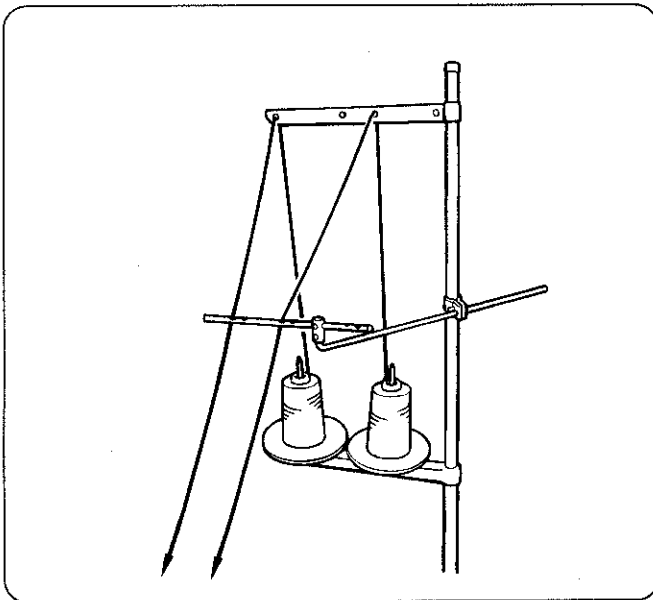
1. Tourner la poulie de machine de manière à amener la barre à aiguille à sa position la plus haute.
2. Desserrer les vis ①. Insérer à fond les aiguilles dans le pince-aiguille ②, l'encoche étant dirigée vers l'arrière et serrer les vis ①.

1. Girar la polea de la máquina para levantar la barra de aguja hasta quede en la posición más alta.
2. Aflojar los tornillos ①. Introducir las agujas completamente en la ménsula de aguja ② con la parte ranurada hacia atrás, y volver a apretarlas con los tornillos ①.

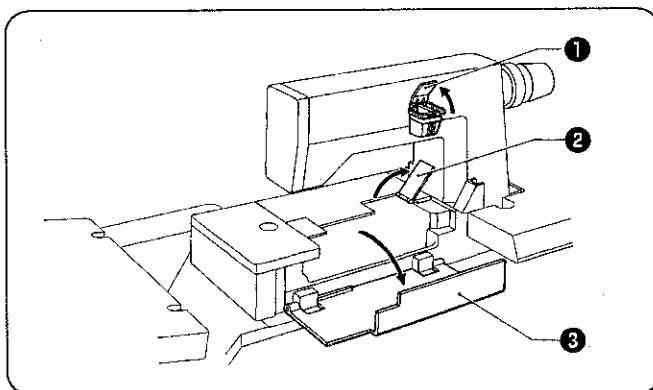
6-3. Threading
 6-3. Einfädeln
 6-3. Enfilage
 6-3. Enhebrado

⚠ CAUTION/ACHTUNG/ATTENTION/ATENCIÓN

-  • Turn off the power switch before threading the upper thread, otherwise the machine will operate if the treadle is pressed by mistake, which could result in injury.
-  • Schalten Sie den Netzschalter vor dem Einfädeln des Oberfadens aus, weil sonst durch eine unbeabsichtigte Betätigung des Pedals die Maschine in Gang gesetzt und Verletzungen verursachen kann.
-  • Mettre l'interrupteur d'alimentation sur la position d'arrêt avant d'enfiler le fil supérieur, sinon la machine risquera de se mettre en marche si on enfonce accidentellement la pédale, et donc de causer des blessures.
-  • Desconectar el interruptor principal antes de enhebrar el hilo superior, de lo contrario la máquina podría comenzar a funcionar si por descuido se pisara el pedal, lo que podría resultar en heridas.



1. Pass the thread through the cotton stand as shown in the illustration.
1. Ziehen Sie den Faden durch den Spulenträger, wie in der Abbildung gezeigt.
1. Passer le fil dans la broche porte-bobine comme indiqué sur l'illustration.
1. Pasar el hilo por el soporte del carrete tal como se indica en la figura.



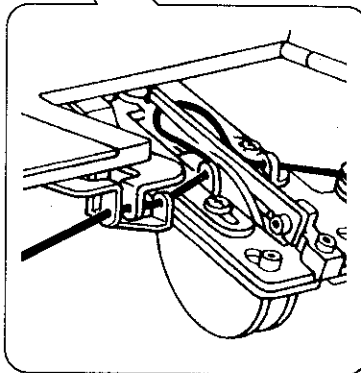
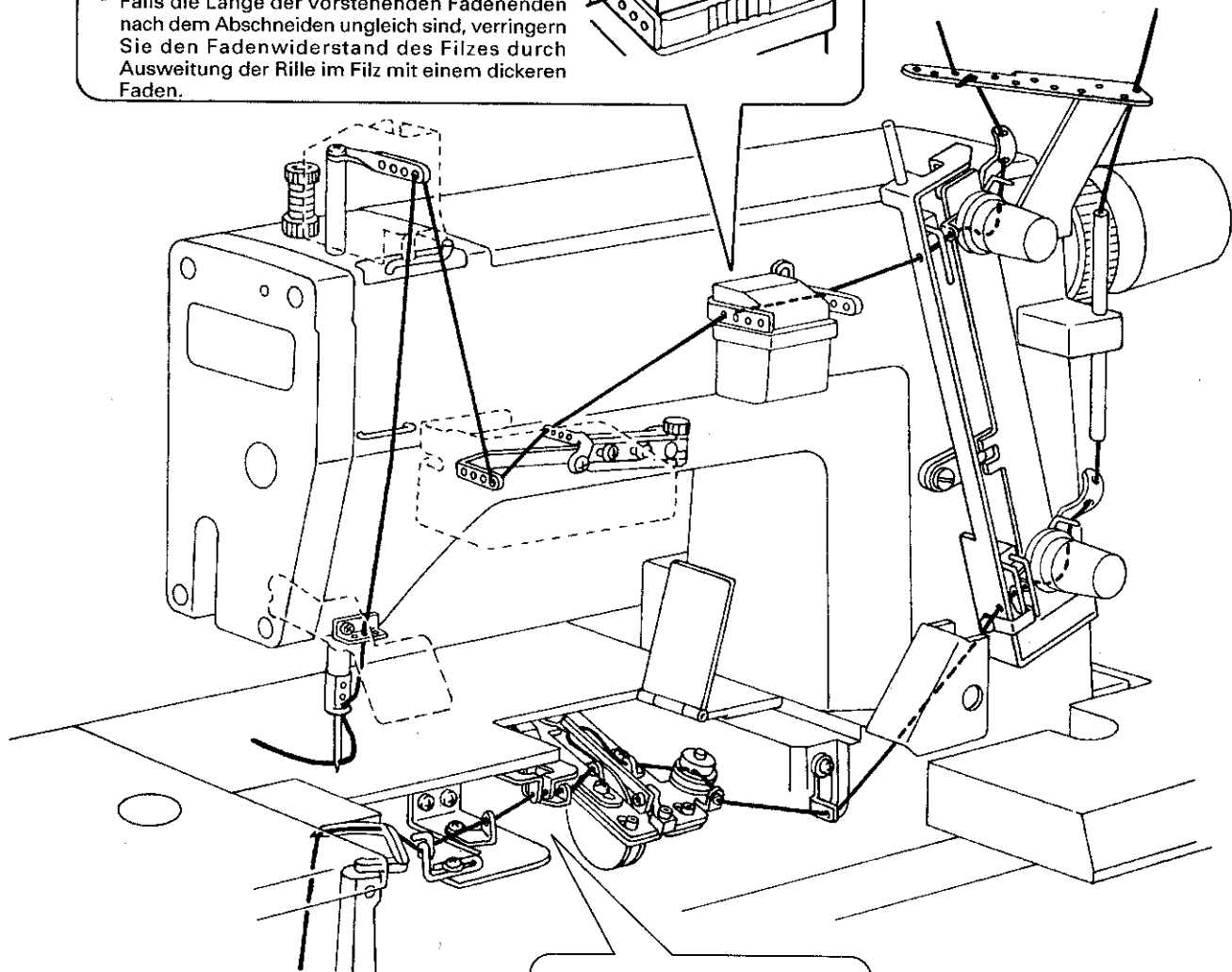
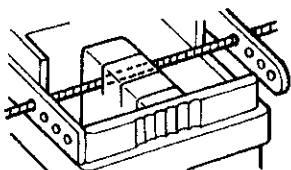
2. Open the needle thread cooling tank cover **1**, the looper thread take-up cover **2** and the front cover **3**.
2. Öffnen Sie den Deckel **1** des Nadelkühlbehälters, den Deckel **2** der Greiferfadenabnahme und die Frontabdeckung **3**.
2. Ouvrir le couvercle **1** du réservoir de refroidissement de fil d'aiguille, le couvercle **2** du releveur de fil de boucleur et le couvercle avant **3**.
2. Abrir la cubierta del tanque de enfriamiento del hilo de aguja **1**, la cubierta del tirahilos del hilo del ojo-guía **2** y la cubierta delantera **3**.

6. PREPARATION BEFORE SEWING
6. VORBEREITUNGEN ZUM NÄHEN
6. PREPARATIFS AVANT LA COUTURE
6. PREPARATIVOS ANTES DE COSER

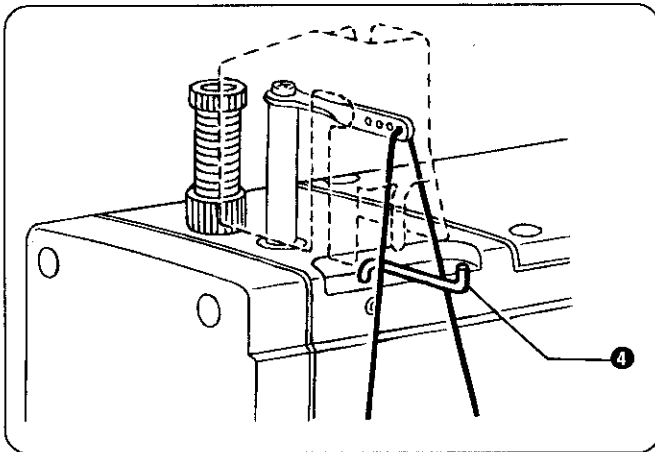
3. Thread the threads while referring to the illustration below.
* If the threads are difficult to thread in parts, turn the machine pulley to a position where it becomes easier to thread the threads.
3. Fädeln Sie den Faden wie in der nachstehenden Abbildung gezeigt ein.
* Falls das Einfädeln schwierig ist, kann das Handrad etwas gedreht werde, um das Einfädeln zu erleichtern.

* If the amount of trailing needle thread remaining after the thread has been trimmed is uneven in length, reduce the thread resistance of the felt by using some thicker thread to open up the groove in the felt.

* Falls die Länge der vorstehenden Fadenenden nach dem Abschneiden ungleich sind, verringern Sie den Fadenwiderstand des Filzes durch Ausweitung der Rille im Filz mit einem dickeren Faden.



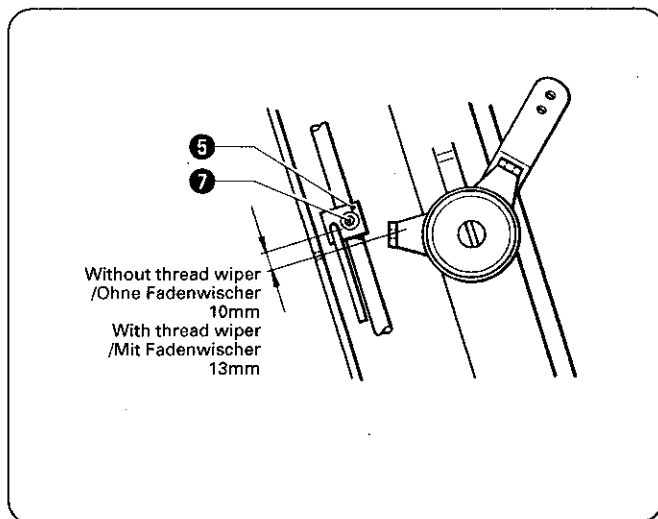
■ Needle thread guard
 ■ Oberfadenschutz



- * The needle thread guard ④ should be used if the loops in the needle thread are too small for the looper to pick them up, which can happen if the needle thread has a lot of stretch in it, for example. (Refer to page 42.)
- * Der Oberfadenschutz ④ sollte verwendet werden, falls die Oberfadenschlaufen zu klein sind, so daß sie vom Greifer nicht erfaßt werden. Dies kann z.B. bei einem gespannten Faden auftreten. (Siehe Seite 42.)

■ Adjusting the thread take-up block positions
 ■ Einstellen der Positionen des Fadenabnahmeblocks

- * The standard positions of thread take-up block ⑤ and thread take-up block ⑥ are shown in the illustration. Loosen the set screw ⑦ and adjust the positions of the thread take-up blocks ⑤ and ⑥.
- * Die normalen Positionen des Fadenabnahmeblocks ⑤ und des Fadenabnahmeblocks ⑥ sind in der Abbildung gezeigt. Lösen Sie die Schraube ⑦, um die Position der Fadenabnahmeblöcke ⑤ und ⑥ einzustellen.

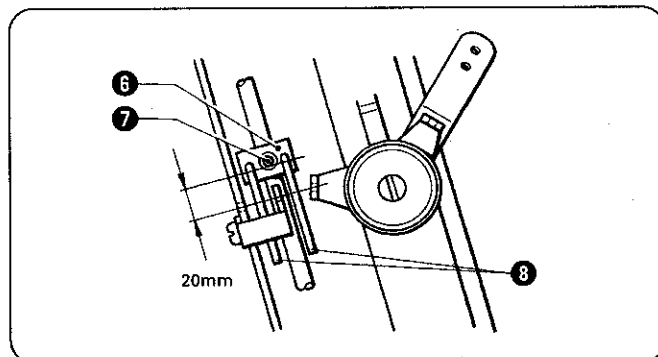


<For needle thread>

- If the height of the thread take-up block ⑤ is increased, the amount of trailing needle thread after thread trimming will become shorter, but it may also cause the thread to pull out or skipped stitches to occur at the sewing start.
- If the height of the thread take-up block ⑤ is decreased, it will help to prevent the thread from pulling out or skipped stitches from occurring at the sewing start, but the amount of trailing needle thread at the sewing start will become longer.

<Oberfaden>

- Beim Erhöhen der Höhe des Fadenabnahmeblocks ⑤ wird das vorstehende Fadenende nach dem Abschneiden des Fadens verkürzt; es kann aber auch vorkommen, daß am Nähbeginn der Faden herausgezogen wird oder Stiche übersprungen werden.
- Durch Verringern der Höhe des Fadenabnahmeblocks ⑤ kann vermieden werden, daß der Faden am Nähbeginn herausgezogen wird oder daß Stiche übersprungen werden; dadurch wird aber auch das vorstehende Fadenende am Nähbeginn länger.



<For looper thread>

During thread-trimming operations, the rods ⑧ of thread take-up block ⑥ should not be touching the thread when they are at their standard positions.

- * If the thread comes out easily from the looper at the sewing start when a stretchable thread is being used, lower the position of thread take-up block ⑥ slightly.

<Unterfaden>

Beim Abschneiden des Fadens dürfen die Stangen i des Fadenabnahmeblocks W y den Faden in der Normalposition nicht berühren.

- * Falls beim Verwenden eines dehnbaren Fadens der Faden am Nähbeginn leicht aus dem Greifer herauskommt, müssen Sie die Position des Fadenabnahmeblocks ⑥ etwas absenken.

6. PREPARATION BEFORE SEWING
6. VORBEREITUNGEN ZUM NÄHEN
6. PREPARATIFS AVANT LA COUTURE
6. PREPARATIVOS ANTES DE COSER

3. Enfiler les fils en se reportant à l'illustration ci-dessous.

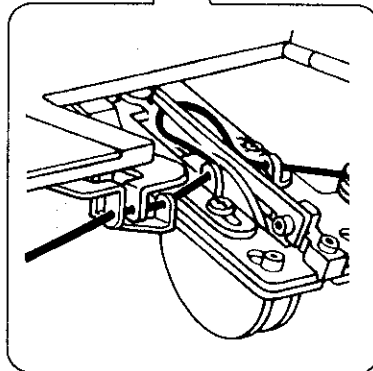
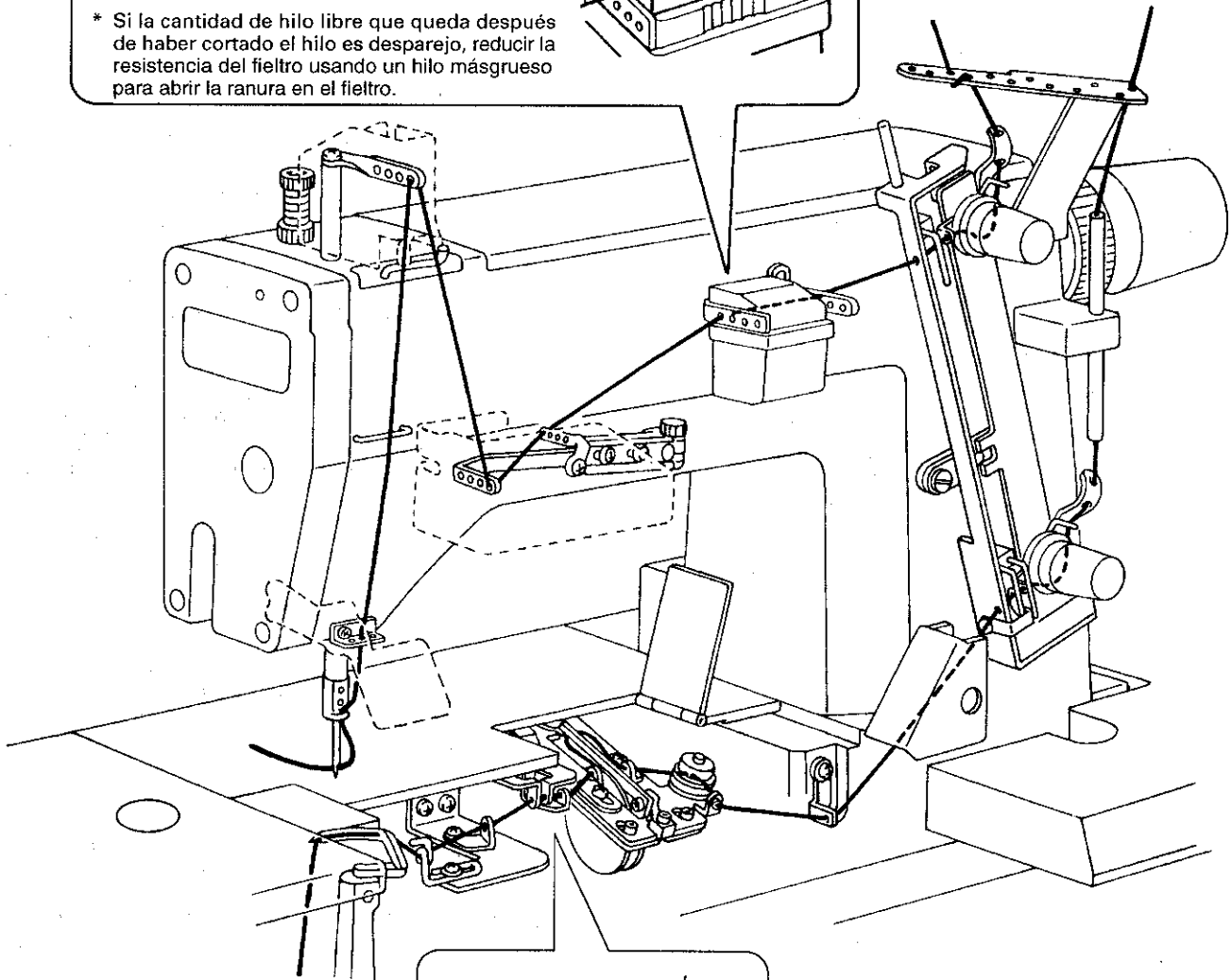
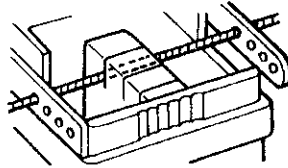
* S'il est difficile d'enfiler les fils, tourner la poulie de machine jusqu'à une position à laquelle il soit plus facile d'enfiler les fils.

3. Enhebrar los hilos mientras se consulta la figura a continuación.

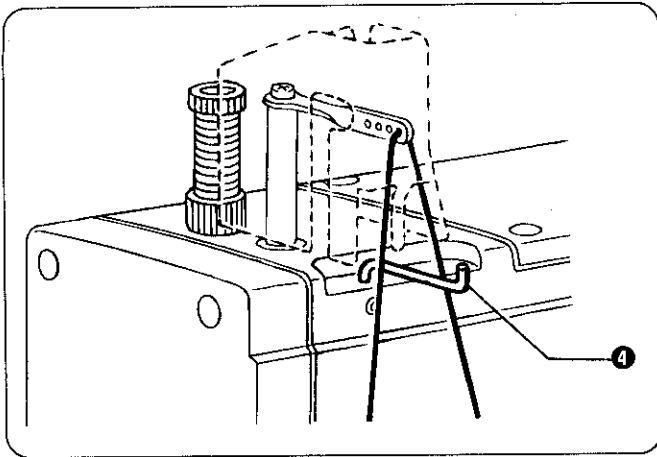
* Si los hilos resultarían difíciles de enhebrar por algunas partes, girar la polea de la máquina a una posición donde sea fácil enhebrar los hilos.

* Si la quantité de fil d'aiguille excessive restant après que le fil ait été coupé n'a pas une longueur régulière, diminuer la résistance du feutre au fil en utilisant un fil plus gros pour ouvrir la rainure du feutre.

* Si la cantidad de hilo libre que queda después de haber cortado el hilo es desparejo, reducir la resistencia del fieltro usando un hilo más grueso para abrir la ranura en el fieltro.



■ **Protège-fil d'aiguille**
 ■ **Protector del hilo de aguja**

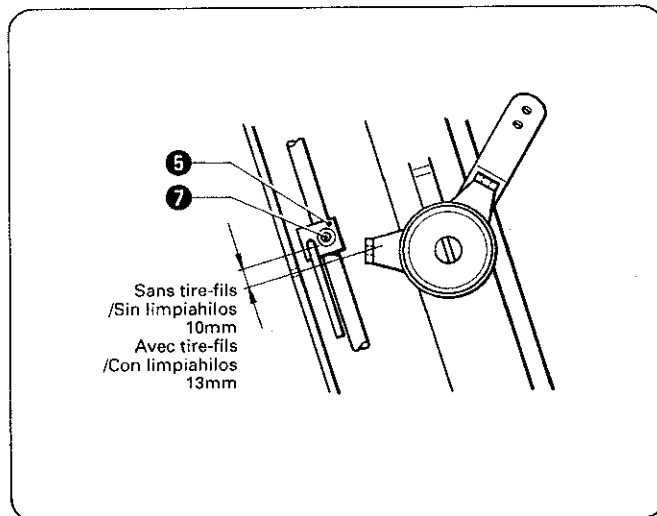


* Le protège-fil d'aiguille ④ doit être utilisé si les boucles du fil d'aiguille sont trop petites pour que le boucleur puisse les saisir, ce qui peut se produire si le fil d'aiguille est facilement extensible, par exemple. (Se reporter à la page 43.)

* El protector del hilo de aguja ④ deberá ser usado si los lazos en el hilo de aguja son tan pequeños que el ojo guía no los puede levantar, lo cual puede ocurrir si por ejemplo el hilo de aguja se estira mucho. (Consultar la página 43.)

■ **Réglage de la position des blocages de releveur de fil**
 ■ **Ajuste de las posiciones del bloque del tirador de hilo**

* Les positions standard du blocage de releveur de fil ⑤ ⑥ et du blocage de releveur de fil ④ ⑥ sont indiquées sur l'illustration. Desserrer la vis de fixation ⑦ et régler la position des blocages de releveur de fil ⑤ et ⑥.
 * Las posiciones estándar del bloque del tirador de hilo ⑤ ⑥ y bloque del tirador de hilo ④ ⑥ se muestran en la figura. Aflojar el tornillo de ajuste ⑦ y ajustar las posiciones del bloque del tirador de hilo ⑤ y ⑥.

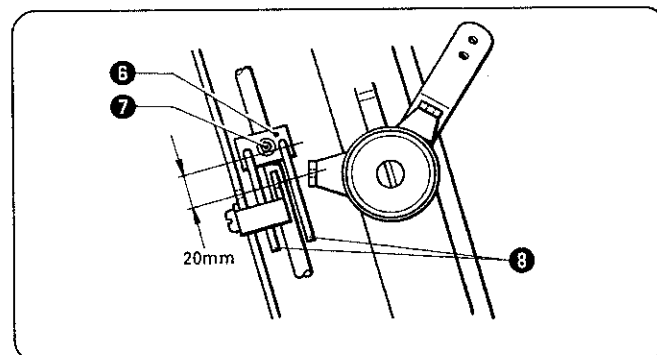


<Pour le fil d'aiguille>

- Si la hauteur du blocage de releveur de fil ⑤ ⑥ est augmentée, la quantité de fil d'aiguille en excès après la coupe des fils sera plus petite, mais le fil risquera de se défaire et des points risqueront de sauter en début de couture.
- Si l'on diminue la hauteur du blocage de releveur de fil ⑤ ⑥, on pourra éviter que le fil se défasse ou que les points sautent en début de couture, mais la quantité de fil excessive en début de couture sera plus grande.

<Para el hilo de aguja>

- Si la altura del bloque del tirador de hilo ⑤ ⑥ aumenta, la cantidad del hilo libre después de cortar el hilo será menor, pero también hará que el hilo se salga o se salten puntadas al comienzo de la costura.
- Si la altura del bloque del tirador de hilo ⑤ ⑥ disminuye, permitirá evitar que el hilo se salga o se salten las puntadas al comienzo de la costura, pero la cantidad de hilo libre al comienzo de la costura será mayor.



<Pour le fil de boucleur>

Pendant les opérations de coupe du fil, les tiges ⑧ du blocage de releveur de fil ④ ⑥ ne doivent pas entrer en contact avec le fil lorsqu'elles se trouvent à leur position standard.

* Si le fil sort facilement du boucleur en début de couture lorsqu'on utilise un fil élastique, abaisser légèrement la position du blocage de releveur de fil ④ ⑥.

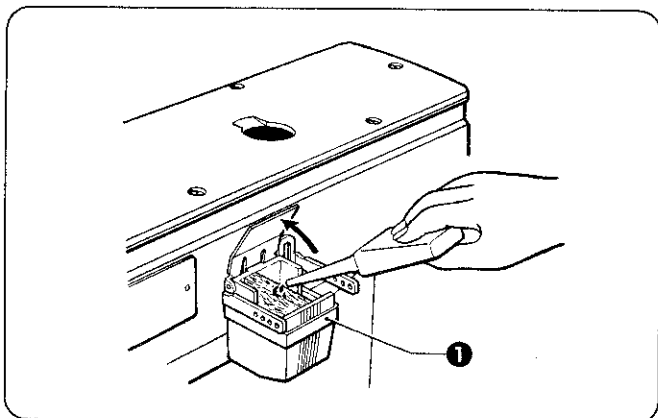
<Para el hilo del ojo-guía>

Durante las operaciones de corte del hilo, las varillas ⑧ del bloque del tirador de hilo ④ ⑥ no deben estar tocando el hilo cuando se encuentren en sus posiciones estándar.

* Si el hilo se sale fácilmente del ojo-guía al comienzo de la costura cuando se usa un hilo elástico, bajar ligeramente la posición del bloque del tirador de hilo ④ ⑥.

6. PREPARATION BEFORE SEWING
6. VORBEREITUNGEN ZUM NÄHEN
6. PREPARATIFS AVANT LA COUTURE
6. PREPARATIVOS ANTES DE COSER

6-4. Using the needle thread cooler
6-4. Verwendung des Oberfadenkühlers
6-4. Utilisation du refroidisseur de fil d'aiguille
6-4. Uso del enfriador de hilo de aguja



If sewing at high speeds, or if using synthetic thread or synthetic materials, it is recommended that you add the accessory silicon oil to the needle thread cooler ❶ in order to prevent thread breakages due to heat and skipped stitches.

Beim Nähen mit hoher Nähgeschwindigkeit oder bei Verwendung von Synthetikfaden und Synthetikstoffen wird empfohlen, Silikonöl aus dem Zubehör in den Oberfadenkühler ❶ zu füllen, um Fadenbruch wegen Überhitzung und übersprungene Stiche zu verhüten.

Lorsque la couture est effectuée à grande vitesse, ou si l'on utilise des fils ou des tissus synthétiques, il est conseillé d'ajouter de l'huile de silicone fournie sur le refroidisseur ❶ de fil d'aiguille afin d'éviter des ruptures de fil dues à la chaleur et des points sautés.

Si se cose a alta velocidad, o si se usan hilos sintéticos o materiales sintéticos, se recomienda agregar un poco de aceite de siliconas al enfriador de hilo de aguja ❶ de manera de impedir que el hilo se rompa debido al calor y que se salten puntadas.

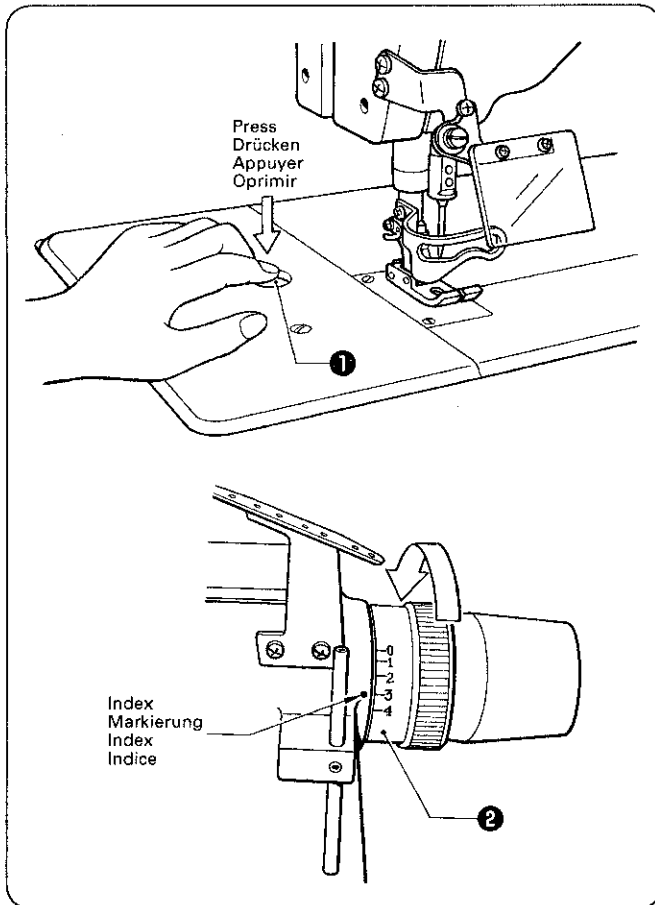
6-5. Adjusting the stitch length
6-5. Einstellen der Stichlänge
6-5. Réglage de la longueur de point
6-5. Ajuste del largo de puntada

⚠ CAUTION/ACHTUNG/ATTENTION/ATENCIÓN

- Turn off the power supply before adjusting the stitch length, otherwise the machine will operate if the treadle is pressed by mistake, which could result in injury.
- Vor dem Einstellen der Stichlänge muß die Stromversorgung ausgeschaltet werden, weil sonst durch eine unbeabsichtigte Betätigung des Pedals die Maschine in Gang gesetzt und Verletzungen verursachen kann.
- Couper l'alimentation électrique avant de régler la longueur de point, sinon la machine risquera de se mettre en marche si on enfonce accidentellement la pédale, et donc de causer des blessures.
- Desconectar la fuente de alimentación antes de ajustar el largo de la puntada, de lo contrario la máquina podría comenzar a funcionar si por descuido se pisara el pedal, lo que podría resultar en heridas.

6. PREPARATION BEFORE SEWING
6. VORBEREITUNGEN ZUM NÄHEN
6. PREPARATIFS AVANT LA COUTURE
6. PREPARATIVOS ANTES DE COSER

- The numbers marked on the machine pulley indicate the approximate stitch length in millimeters. The actual stitch length will vary according to the type and thickness of material, and the differential feed setting.
- Mit den auf dem Rad angegebenen Zahlen wird die ungefähre Stichlänge in Millimeter bezeichnet. Die tatsächliche Stichlänge hängt von der Art und der Dicke des Nähguts und den Stofftransporteinstellungen ab.
- Les numéros inscrits sur la poulie de la machine indiquent une longueur approximative de point en millimètres. La longueur actuelle des points variera en fonction du type et de l'épaisseur du tissu, et du réglage de l'entraînement différentiel.
- Los números que aparecen en la polea de la máquina indican la longitud de puntada aproximada en milímetros. La longitud de puntada real dependerá del tipo y espesor del tejido y de la posición de alimentación del diferencial.



1. Press and hold the push button ❶ and turn the pulley ❷ in the direction of normal rotation. The push button ❶ will retract in another step.
2. Now turn the pulley ❷ either forward or back to reset the pulley ❷ stitch length scale to the index.
3. Release the push button ❶. (Check that the pushbutton ❶ is raised up.)

NOTE: Do not touch the pushbutton ❶ while the machine is operating.

1. Den Knopf ❶ gedrückt halten und das Rad ❷ in die normale Drehrichtung drehen. Der Knopf ❶ rastet in der nächsten Stellung ein.
2. Danach mit dem Rad ❷ die gewünschte Stichlänge der Skala auf die Markierung einstellen.
3. Den Knopf ❶ loslassen. (Kontrollieren, ob der Knopf ❶ ausgerastet ist.)

HINWEIS: Bei laufender Maschine darf der Knopf ❶ nicht berührt werden.

1. Appuyer et maintenir enfoncé le bouton-poussoir ❶, puis tourner la poulie ❷ dans le sens de rotation normal. Le bouton-poussoir s'enfoncera davantage.
2. Tourner la poulie ❷ soit en avant soit en arrière, afin de régler l'échelle de longueur de point ❷ de la poulie sur l'index.
3. Relâcher le bouton-poussoir ❶. (Vérifier que le bouton-poussoir ❶ soit bien relevé.)

REMARQUE: Ne pas toucher le bouton-poussoir ❶ pendant que la machine fonctionne.

1. Oprimir y sujetar el botón pulsador ❶ y girar la polea ❷ en el sentido de giro normal. El botón pulsador ❶ volverá a su posición original en otro paso.
2. A continuación, girar la polea ❷ hacia adelante o hacia atrás para volver a programar la escala de longitud de puntada de la polea ❷ en el índice.
3. Soltar el botón pulsador ❶. (Verificar que el botón pulsador ❶ está levantado.)

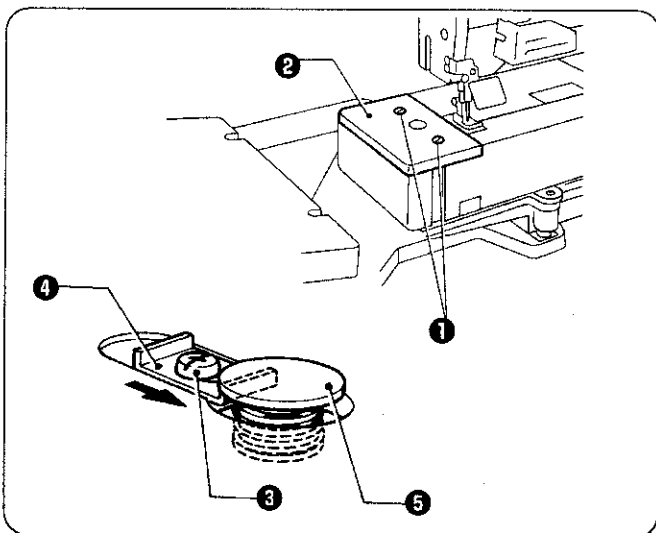
NOTA: No oprimir el botón pulsador ❶ mientras la máquina está funcionando.

6-6. Locking the stitch length setting
6-6. Verriegeln der Stichlängeneinstellung
6-6. Verrouillage du réglage de longueur de point
6-6. Bloqueo del ajuste de largo de puntada

⚠ CAUTION/ACHTUNG/ATTENTION/ATENCIÓN

- Turn off the power supply before locking the stitch length setting, otherwise the machine will operate if the treadle is pressed by mistake, which could result in injury.
- Zum Verriegeln der Stichlängeneinstellung muß der Netzschalter ausgeschaltet werden, weil sonst Verletzungen verursacht werden können, wenn die Maschine durch unbeabsichtigtes Betätigen des Pedals eingeschaltet wird.
- Couper l'alimentation électrique avant de verrouiller le réglage de longueur de point, sinon la machine se mettra en marche si l'on enfonce la pédale par erreur, ce qui risque de provoquer des blessures.
- Desconectar la fuente de alimentación antes de bloquear el ajuste del largo de puntada, de lo contrario la máquina podría funcionar si por descuido se pisara el pedal, lo cual podría resultar en heridas.

- Use the push button stopper so that the operator cannot easily adjust the preset stitch pitch.
- Der Tastenanschlag kann zum Verhüten einer unbeabsichtigten Stichweitenänderung verwendet werden.
- Utiliser la butée du bouton-poussoir de façon à ce que l'opératrice ne puisse pas changer facilement l'écartement de point pré réglé.
- Utilizar el retén del botón pulsador de forma que el operario no pueda ajustar con facilidad el largo de puntada prefijada.



1. Remove the two screws ①, and then remove cloth plate L ②.
2. Loosen set screw ③, pull the push button stopper ④ toward you, and set the push button ⑤ to the down position.
3. Tighten the set screw ③.
4. Install cloth plate L ②.





1. Entfernen Sie die beiden Schrauben ① und nehmen Sie die Platte L ② ab.
2. Die Schraube ③, lösen und den Tastenanschlag ④ gegen sich und die Taste ⑤ nach unten stellen.
3. Die Schraube ③ wieder festziehen.
4. Bringen Sie die Platte L ② an.

1. Retirer les deux vis ①, puis retirer la plaque à tissu L ②.
2. Desserrer la vis d'arrêt ③, tirer la butée de bouton-poussoir ④ vers soi et mettre le bouton-poussoir ⑤ sur la position basse.
3. Resserrer la vis d'arrêt ③.
4. Installer la plaque à tissu L ②.

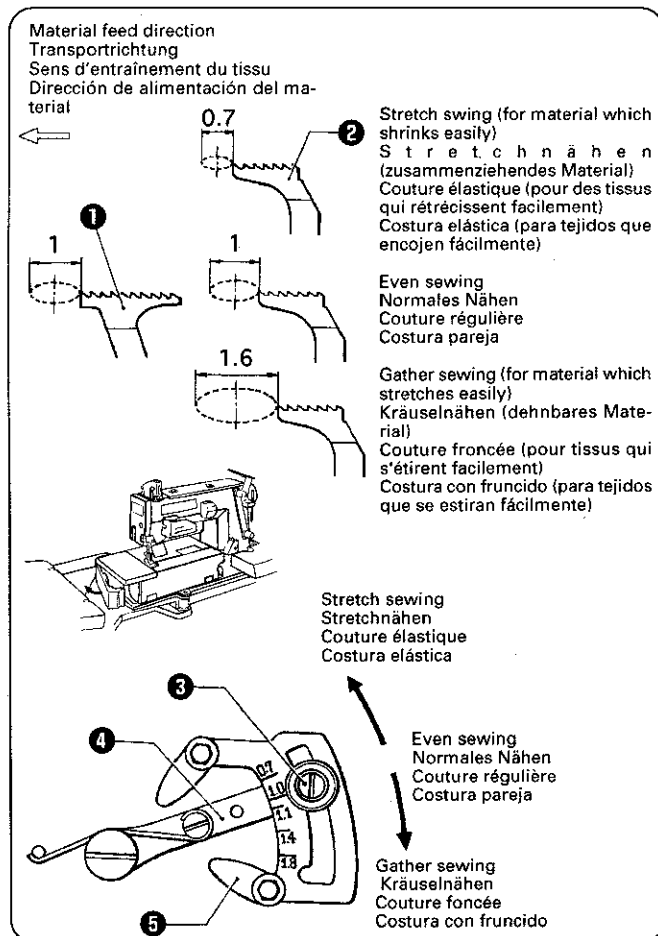
1. Quitar los dos tornillos ①, y luego quitar la placa de tela L ②.
2. Aflojar el tornillo de fijación ③, tirar el retén del botón pulsador ④ hacia Ud., y fijar el botón pulsador ⑤ en la posición inferior.
3. Apretar el tornillo de fijación ③.
4. Instalar la placa de tela L ②.

6-7. Adjusting the differential feed ratio (0D2 - 0)
6-7. Einstellen des Differentialtransports (0D2 - 0)
6-7. Réglage du rapport d'entraînement différentiel (0D2-0)
6-7. Ajuste de la relación de alimentación del diferencial (0D2-0)

⚠ CAUTION/ACHTUNG/ATTENTION/ATENCIÓN

-  • Turn off the power supply before adjusting the differential feed ratio, otherwise the machine will operate if the treadle is pressed by mistake, which could result in injury.
-  • Zum Einstellen des Differentialtransportverhältnisses muß der Netzschalter ausgeschaltet werden, weil sonst Verletzungen verursacht werden können, wenn die Maschine durch unbeabsichtigtes Betätigen des Pedals eingeschaltet wird.
-  • Couper l'alimentation électrique avant de régler le rapport d'entraînement différentiel, sinon la machine se mettra en marche si l'on enfonce la pédale par erreur, ce qui risque de provoquer des blessures.
-  • Desconectar la fuente de alimentación antes de ajustar la relación de alimentación diferencial, de lo contrario la máquina podría funcionar si por descuido se pisara el pedal, lo cual podría resultar en heridas.

- The differential feed ratio, which is the ratio of differential feed dog **2** travel to main feed dog **1** travel, makes stretch sewing, even sewing, and gather sewing possible.
- Mit dem Differentialtransport, d.h. dem Bewegungsverhältnis zwischen dem Differentialtransporteur **2** und dem Haupttransporteur **1**, kann das Nähgut auseinandergezogen, normal oder gekräuselt genäht werden.
- La rapport d'entraînement différentiel (rapport entre la course de la griffe d'entraînement différentiel **2** et la course de la griffe d'entraînement principal **1**) permet, selon sa valeur, de réaliser des coutures élastiques, des coutures régulières et des coutures froncées.
- La relación de alimentación del diferencial, que es la relación entre el recorrido del alimentador de diferencial **2** con respecto al recorrido del alimentador **1**, posibilita la costura elástica, la costura pareja y la costura con fruncido.



1. Loosen knob **3**, adjust the position of the lever **4**.
2. Retighten the knob **3**.

NOTE:

The scale setting goes up to a differential feed ratio of 1.8, but the maximum allowable setting for this sewing machine is 1.6. The adjustment lever stopper **5** is set to the 1.6 differential feed ratio position, so do not change the position of this stopper. If the position of the stopper is changed, there is the danger that the feed dog may strike the needle plate.

1. Den Knopf **3** lösen, den Hebel **4** einstellen.
2. Den Knopf wieder festziehen.

Hinweis:

Auf der Skala wird ein Differentialtransportverhältnis von bis zu 1,8 gezeigt. Bei dieser Maschine kann jedoch nur ein Verhältnis von bis zu 1,6 eingestellt werden.

Der Hebelanschlag **5** ist auf ein Differentialtransportverhältnis von 1,6 eingestellt; deshalb darf die Position dieses Hebelanschlags nicht geändert werden.

Beim Verändern der Hebelanschlags kann der Transporteur die Stichplatte berühren.

1. Desserrer le bouton **3**, régler la position du levier **4**.
2. Resserrer le bouton **3**.

REMARQUE:

Le réglage de l'échelle peut augmenter jusqu'à un rapport d'entraînement différentiel de 1,8, mais le réglage acceptable maximum pour cette machine à coudre est de 1,6.

La butée **5** du levier de réglage est réglée à la position de rapport d'entraînement différentiel 1,6; il est donc inutile le changer la position de cette butée.

Si la position de la butée est changée, la griffe d'entraînement risque de percuter la plaque à aiguille.

1. Aflojar la perilla **3**, ajustar la posición de la palanca **4**.
2. Volver a apretar la perilla **3**.

NOTA:

El ajuste de escala va hasta una relación de alimentación diferencial de 1,8, pero el ajuste máximo posible para la máquina de coser es de 1,6.

El tope de la palanca de ajuste **5** se ajusta a la posición de relación de alimentación diferencial de 1,6, por lo tanto no cambiar la posición de este tope.

Si la posición del tope se cambia, existe la posibilidad que el alimentador golpee la placa de agujas.

7. SEWING
7. HÄHEN
7. COUTURE
7. COSTURA

 **CAUTION/ACHTUNG/ATTENTION/ATENCIÓN**



- Attach all safety devices before using the sewing machine. If the machine is used without these devices attached, injury may result.



- Turn off the power switch at the following times, otherwise the machine may operate if the treadle is depressed by mistake, which could result in injury.
 - When threading
 - When replacing the needle
 - When not using the machine and when leaving the machine unattended



- Do not touch any of the moving parts or press any objects against the machine while sewing, as this may result in personal injury or damage to the machine.



- For machines with automatic presser lifter, do not touch the solenoid section, otherwise burns may result.



- Vor Inbetriebnahme müssen alle Sicherheitsvorrichtungen angebracht werden. Beim Betrieb ohne Sicherheitsvorrichtungen können Verletzungen verursacht werden.



- Schalten Sie den Netzschalter in den folgenden Fällen immer aus, weil sonst Verletzungsgefahr besteht, wenn die Nähmaschine durch unbeabsichtigtes Betätigen des Pedals in Gang gesetzt wird.
 - Zum Einfädeln
 - Zum Auswechseln der Nadel
 - Wenn die Maschine nicht verwendet wird oder unbeaufsichtigt ist



- Berühren Sie keine sich bewegenden Teile und drücken Sie auch keine Gegenstände an solche Teile, weil Sie sich verletzen können und die Nähmaschine beschädigt werden kann.



- Bei Maschinen mit einem automatischen Stoffdrückerfuß dürfen Sie den Teil mit dem solenoid nicht berühren, weil Verbrennungsgefahr besteht.



- Fixer tous les dispositifs de sécurité avant d'utiliser la machine à coudre. Si on utilise la machine sans avoir d'abord fixé ces dispositifs, on risquera de se blesser.



- Mettre l'interrupteur d'alimentation sur la position d'arrêt aux moments suivants, sinon la machine risquera de se mettre en marche si on relâche la pédale par erreur, et on risquera alors de se blesser.
 - Lors de l'enfilage
 - Lors du remplacement de l'aiguille
 - Lorsqu'on n'utilise pas la machine et lorsqu'on laisse la machine sans surveillance



- Ne toucher aucune des parties mobiles, et ne pas presser d'objets contre la machine pendant la couture, car ceci pourrait causer des blessures ou endommager la machine.



- Pour les machines équipées d'un relever de pied presseur automatique, ne pas toucher la section du solénoïde, sinon on risquera de se brûler.



- Instalar todos los dispositivos de seguridad antes de usar la máquina de coser. Si la máquina de coser se usa sin los dispositivos de seguridad podría resultar herido.



- Desconectar el interruptor principal en los siguientes casos, de lo contrario la máquina podría comenzar a funcionar si por descuido se pisara el pedal, lo que podría resultar en heridas.
 - Al enhebrar
 - Al cambiar la aguja
 - Al no usar la máquina y alejarse de ella dejándola sin cuidado



- No tocar ninguna de las piezas móviles o presionar ningún objeto contra la máquina al coser, pues podría resultar en heridas o la máquina podría resultar dañada.



- Para máquinas con levantador automático de prensatelas, no tocar la sección del solenoide, de lo contrario se podría quemar.

7-1. Sewing speed 7-1. Nähgeschwindigkeit

7-1. Vitesse de couture 7-1. Velocidad de la costura

- The maximum sewing speed will vary depending on individual model specifications. Refer to the table on pages 3 and 4 for details.
 - If using polyester thread, do not sew at speeds greater than 5,000 spm.
 - When breaking in a new machine, operate the machine with a maximum speed 1000 spm lower than the rating for the first 100 actual sewing hours (2 to 3 months) to improve durability and product service life.
- Die maximal zulässige Nähgeschwindigkeit ist für einzelne Nähmaschinenmodelle verschieden. Für Einzelheiten wird auf die Tabelle auf Seite 3 und 4 verwiesen.
 - Bei Verwendung eines Polyesterfadens darf die Nähgeschwindigkeit nicht mehr als 5000 Stiche pro Minute betragen.
 - Eine neue Nähmaschine muß während den ersten 100 Betriebsstunden (2 bis 3 Monate) mit einer Nähgeschwindigkeit betrieben werden, die um 1000 Stiche pro Minute tiefer als die Maximalgeschwindigkeit liegt, um die Lebensdauer der Maschine zu verlängern.
- La vitesse de couture maximale varie selon les spécifications du modèle particulier. Pour plus de détails, se reporter au tableau des pages 3 et 4.
 - Si l'on utilise du fil de polyester, ne pas coudre à des vitesses supérieures à 5.000 pt/mn.
 - Lorsqu'on rode une nouvelle machine, la faire fonctionner à une vitesse maximum inférieure de 1000 pts/min par rapport à la vitesse nominale, et ceci pendant les 100 premières heures de couture effective (2 à 3 mois). Cette précaution assurera une durée de vie plus longue à la machine.
- La velocidad máxima de costura variará dependiendo de las especificaciones del modelo individual. Consultar el cuadro en las páginas 3 y 4 para más detalles.
 - Si se usa hilo poliéster, no coser a velocidades mayores de 5.000 ppm.
 - Cuando se comienza a usar una nueva máquina, hacerla funcionar a un máximo de 1.000 ppm por debajo de las especificaciones durante las primeras 100 horas de uso real (2 ó 3 meses) para aumentar su vida útil y durabilidad.

7-2. Sewing 7-2. Nähen

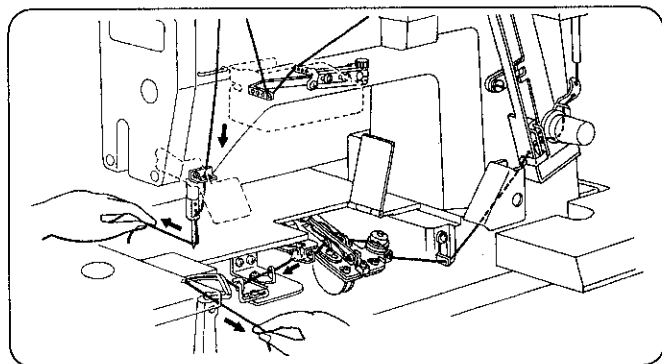
7-2. Couture 7-2. Costura

Because no chaining-off stitch is sewn at the sewing start, thread the threads and then carry out a test sewing according to the procedure given below.

Weil am Nähbeginn kein Kettenstich genäht wird, müssen die Fäden richtig eingefädelt werden und eine Nähprobe nach den nachstehenden Anweisungen ausgeführt werden.

Aucun point de fin de chaînette n'étant cousu en début de couture, enfiler les fils puis effectuer une couture d'essai en suivant la procédure ci-dessous.

Debido a que no se cose ninguna puntada de cadena libre al comienzo de la costura, enhebrar los hilos y luego hacer una costura de prueba de acuerdo con el procedimiento indicado a continuación.

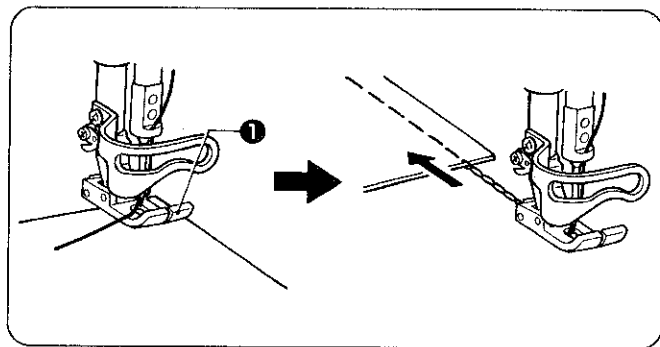


1. Turn the machine pulley to set the needle bar to its highest position.
2. Take up any slack in the needle thread and looper thread along the thread paths.

1. Drehen Sie das Handrad, um die Nadelstange in die höchste Position zu stellen.
2. Straffen Sie den Ober- und Unterfaden im ganzen Fadenweg.

1. Tourner la poulie de machine pour régler la barre à aiguille à sa position la plus haute.
2. Eliminer le mou du fil d'aiguille et du fil de boucleur le long des passages de fils.

1. Girar la polea de la máquina para ajustar la barra de agujas a su posición más alta.
2. Eliminar cualquier flojedad en el hilo de aguja y el hilo de ojo-guía a lo largo del pasaje de los hilos.



3. Turn on the power supply.
4. Depress the presser lifter pedal, raise the presser foot ❶ and then place the material under it in a position slightly behind the needle down position. (If using an automatic presser foot lifter, depress the treadle backward to raise the presser foot ❶.)
5. Depress the treadle to start sewing. (Refer to the Instruction Manual for the motor for details on operating the treadle.)

3. Schalten Sie die Stromversorgung ein.
 4. Drücken Sie das Stoffdrückerfußpedal, um den Stoffdrückerfußes ❶ anzuheben und schieben Sie das Nähgut unmittelbar hinter der Nadeleinstichposition unter den Stoffdrückerfuß. (Bei Verwendung eines automatischen Stoffdrückerfußes müssen Sie zum Anheben des Stoffdrückerfußes ❶ das Pedal nach hinten drücken.)
 5. Drücken Sie das Pedal, um mit dem Nähen zu beginnen. (Für Einzelheiten zur Bedienung des Pedals wird auf die Bedienungsanleitung des Motors verwiesen.)
3. Rétablir l'alimentation électrique.
 4. Appuyer sur la pédale du releveur de pied presseur, relever le pied presseur ❶ puis placer le tissu sous le pied presseur légèrement à l'arrière de la position de chute de l'aiguille. (Si l'on utilise un releveur de pied presseur automatique, appuyer sur la pédale vers l'arrière pour élever le pied presseur ❶.)
 5. Appuyer sur la pédale pour commencer à coudre. (Pour plus de détails concernant l'utilisation de la pédale, se reporter au mode d'emploi du moteur.)
3. Conectar la fuente de alimentación.
 4. Pisar el pedal del levantador del prensatelas, levantar el prensatelas ❶ y luego colocar el material debajo del mismo en una posición un poco detrás de la posición de bajada de la aguja. (Si se usa un levantador de prensatelas automático, pisar el pedal hacia atrás para levantar el prensatelas ❶.)
 5. Pisar el pedal para comenzar a coser. (Consultar el manual de instrucciones del motor por los detalles sobre el funcionamiento del pedal.)

8. ADJUSTING THE THREAD TENSION 8. EINSTELLEN DER FADENSPIANNUNG 8. REGLAGE DE LA TENSION DU FIL 8. AJUSTE DE TENSION DEL HILO

8-1. Thread tension
 8-1. Fadenspiannung

8-1. Tension du fil
 8-1. Tension del hilo

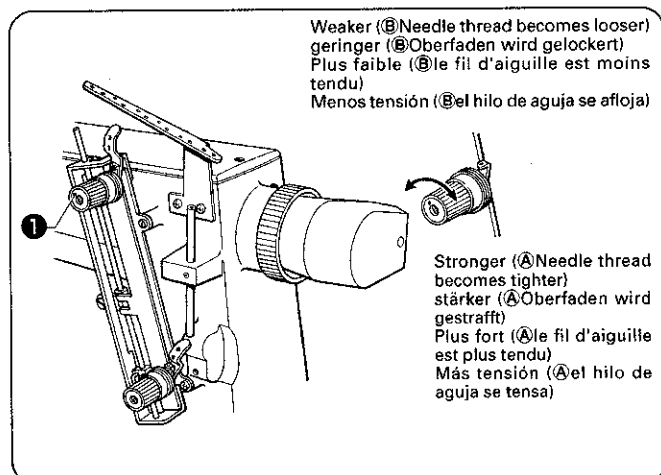
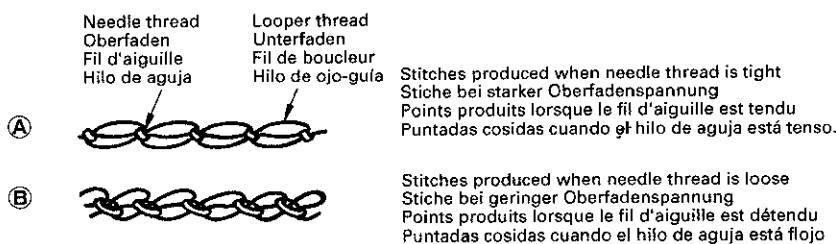
⚠ CAUTION/ACHTUNG/ATTENTION/ATENCIÓN

- ⚠ • Turn off the power supply before adjusting the thread tension, otherwise the machine will operate if the treadle is pressed by mistake, which could result in injury.
- ⚠ • Zum Einstellen der Fadenspiannung muß der Netzschalter ausgeschaltet werden, weil sonst Verletzungen verursacht werden können, wenn die Maschine durch unbeabsichtigtes Betätigen des Pedals eingeschaltet wird.
- ⚠ • Couper l'alimentation électrique avant de régler la tension du fil, sinon la machine se mettra en marche si l'on enfonce la pédale par erreur, ce qui risque de provoquer des blessures.
- ⚠ • Desconectar la fuente de alimentación antes de ajustar la tensión del hilo, de lo contrario la máquina podría funcionar si por descuido se pisara el pedal, lo cual podría resultar en heridas.

- The proper thread tension varies according to the material, type of thread, needle width, and stitch length. Adjust the thread tension according to the current sewing conditions as described below.
- Make the thread tension as weak as possible.
- Die richtige Fadenspiannung hängt vom Nähgut, dem Faden, dem Nadelabstand und der Stichelänge ab. Der Faden kann wie nachstehend beschrieben auf die jeweiligen Nähbedingungen eingestellt werden.
- Stellen Sie die Fadenspiannung so gering wie möglich ein.
- La tension de fil adéquate varie selon le tissu, le type de fil, l'écartement d'aiguille et la longueur de point. Régler la tension du fil en fonction des conditions de couture, comme indiqué ci-dessous.
- Tendez le fil à la plus faible tension possible.
- La tensión del hilo correcta depende del tipo de tejido, del tipo de hilo, del ancho de la aguja y de la longitud de la puntada. Ajustar la tensión del hilo de acuerdo a las condiciones de costura actuales, tal como se describe a continuación.
- Asegurarse que la tensión del hilo sea lo más débil posible.

8-1-1. Adjusting the needle thread tension 8-1-1. Einstellen der Oberfadenspiannung

8-1-1. Réglage de la tension du fil d'aiguille 8-1-1. Ajuste de la tensión del hilo de aguja



Turn the thread tension nut ❶ to adjust the needle thread tension.

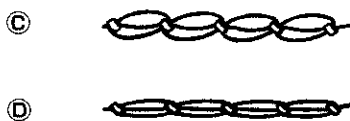
Stellen Sie die Oberfadenspiannung mit der Fadenspiannungsmutter ❶ ein.

Tourner l'écrou ❶ de tension du fil pour régler la tension du fil d'aiguille.

Girar la tuerca de tensión del hilo ❶ para ajustar la tensión del hilo de aguja.

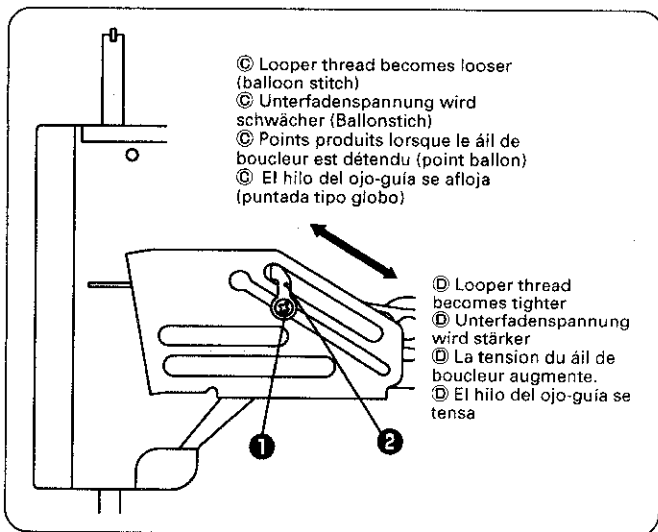
8. ADJUSTING THE THREAD TENSION
8. EINSTELLEN DER FADENSPIANNUNG
8. REGLAGE DE LA TENSION DU FIL
8. AJUSTE DE TENSION DEL HILO

8-1-2. Adjusting the looper thread tension
8-1-2. Einstellen der Unterfadenspannung
8-1-2. Réglage de la tension du fil de boucleur
8-1-2. Ajuste de la tensión del hilo del ojo-guía



Stitch produced when looper thread is loose (balloon stitch)
 Stiche bei geringer Unterfadenspannung (Ballonstich)
 Point produit lorsque le fil de boucleur est détendu (point ballon)
 Puntada producida cuando el hilo del ojo/guía está afloja (puntada tipo globo)

Stitch produced when looper thread is tight
 Stiche bei starker Unterfadenspannung
 Point produit lorsque le fil de boucleur est tendu
 Puntada producida cuando el hilo del ojo-guía está tenso.



■ Adjusting the needle thread take-up guide

- Loosen the screw ① and adjust the position of the needle thread take-up guide ②.
 * The needle thread take-up guide should normally be set to its highest position.
- Securely tighten the screw ①.

■ Einstellen der Oberfadenabnahmeführung

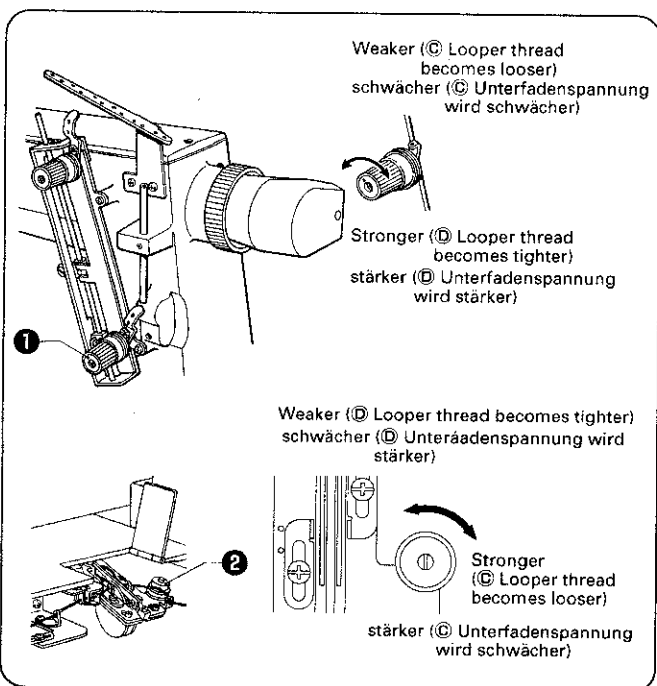
- Lösen Sie die Schraube ①, um die Position der Oberfadenabnahmeführung ② einzustellen.
 * Normalerweise sollte sich die Oberfadenabnahmeführung in der höchsten Position befinden.
- Ziehen Sie die Schraube ① wieder fest.

■ Réglage du guide du releveur de fil d'aiguille

- Desserrer la vis ① et régler la position du guide ② du releveur de fil d'aiguille.
 * Le guide du releveur de fil d'aiguille doit normalement être réglé à sa position la plus haute.
- Bien serrer la vis ①.

■ Ajuste de la guía de tirahilos del hilo de aguja

- Aflojar el tornillo ① y ajustar la posición de la guía de tirahilos de hilo de aguja ②.
 * La guía de tirahilos de hilo de aguja se debe ajustar normalmente a la posición superior.
- Apretar bien el tornillo ①.



■ Adjusting the thread tension nuts

Turn the thread tension nuts ① and ② to adjust.

<Thread tension nut ①>

Weak ← → Strong
 [Ⓒ Looper thread becomes looser (balloon stitch)] [Ⓓ Looper thread becomes tighter]

<Thread tension nut ②>

Weak ← → Strong
 [Ⓓ Looper thread becomes tighter] [Ⓒ Looper thread becomes looser (balloon stitch)]

■ Einstellen der Fadenspannungsmuttern

Drehen Sie zum Einstellen die Fadenspannungsmutter ① und ②.

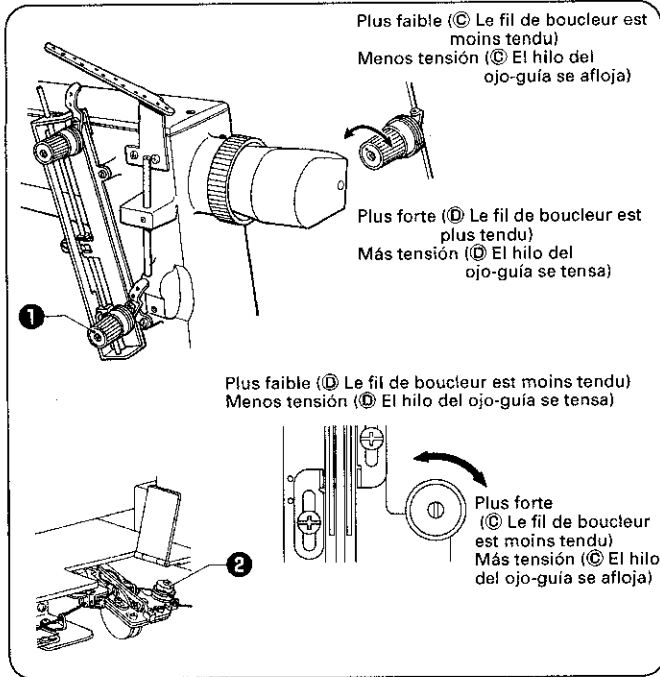
<Fadenspannungsmutter ①>

schwach ← → stark
 [Ⓒ Unterfadenspannung wird schwächer (Ballonstich)] [Ⓓ Unterfadenspannung wird stärker]

<Fadenspannungsmutter ②>

schwach ← → stark
 [Ⓓ Unterfadenspannung wird stärker] [Ⓒ Unterfadenspannung wird schwächer (Ballonstich)]

8. ADJUSTING THE THREAD TENSION
8. EINSTELLEN DER FADENSPIANNUNG
8. REGLAGE DE LA TENSION DU FIL
8. AJUSTE DE TENSION DEL HILO



■ **Réglage des écrous de tension du fil**
 Tourner les écrous de tension du fil ① et ② pour régler.

<Ecrrou de tension du fil ①>

Faible ← → Forte
 [C] Le fil de boucleur est moins tendu (point ballon) [D] Le fil de boucleur est plus tendu

<Ecrrou de tension du fil ②>

Faible ← → Forte
 [D] Le fil de boucleur est plus tendu [C] Le fil de boucleur est moins tendu (point ballon)]

■ **Ajuste las tuercas de tensión de hilo y la de tensión secundaria**

Girar las tuercas de tensión de hilo ① y ② para ajustar la tensión.

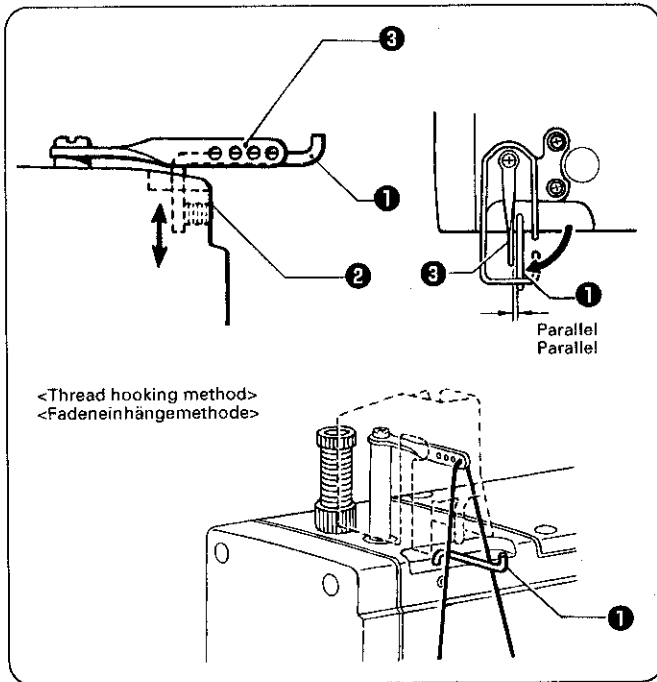
<Tuerca de tensión de hilo ①>

Menos tensión ← → Más tensión
 [C] El hilo del ojo-guía se afloja (puntada tipo globo) [D] El hilo del ojo-guía se tensa

<Tuerca de tensión de hilo ②>

Menos tensión ← → Más tensión
 [D] El hilo del ojo-guía se tensa [C] El hilo del ojo-guía se afloja (puntada tipo globo)]

8-1-3. Using the needle thread guard
8-1-3. Verwendung des Oberfadenschutzes



• The needle thread guard ① should be used if the loops in the needle thread are too small for the looper to pick them up, which can happen if the needle thread has a lot of stretch in it, for example.

• It will be easier to produce balloon stitches if the needle thread guard ① is used.

1. Turn the machine pulley to set the needle bar to its lowest position.
2. Loosen the set screw ②, and then position so that the upper edge of the needle thread guard ① is aligned with the center of the thread hole in the needle bar take-up ③, and so that the needle thread guard ① is parallel to the needle bar take-up ③.
3. Securely tighten the screw ②.

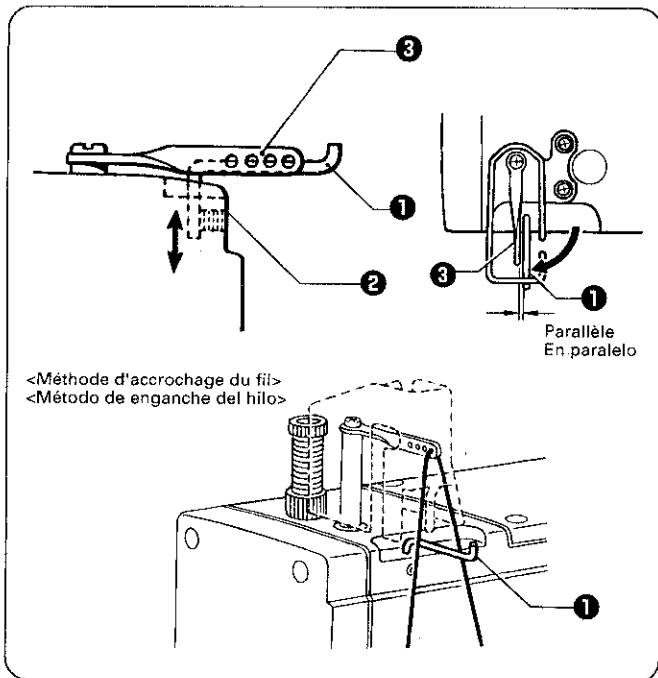
• Der Oberfadenschutz ① muß verwendet werden, wenn die Oberfadenschlaufen zu klein sind, so daß sie vom Greifer nicht erfaßt werden können, was z.B. bei einem angespannten Oberfaden auftreten kann.

• Bei Verwendung des Oberfadenschutzes ① ist es einfacher Ballonstiche zu nähen.

1. Stellen Sie die Nadelstange durch Drehen des Handrads in die unterste Position.
2. Lösen Sie die Schraube ② und positionieren Sie den Oberfadenschutz ① so, daß die obere Kante auf die Fadenlochmitte des Nadelstangenabnahme ③ ausgerichtet ist und sich der Oberfadenschutz ① parallel zum Nadelstangenabnahme ③ befindet.
3. Ziehen Sie die Schraube ② wieder fest.

8. ADJUSTING THE THREAD TENSION
 8. EINSTELLEN DER FADENSCHNUNG
 8. REGLAGE DE LA TENSION DU FIL
 8. AJUSTE DE TENSION DEL HILO

8-1-3. Utilisation du protège-fil d'aiguille
 8-1-3. Uso del protector del hilo de aguja



• Le protège-fil d'aiguille ① doit être utilisé si les boucles du fil d'aiguille sont trop petites pour que le boucleur puisse les saisir, ce qui peut se produire si le fil d'aiguille est facilement extensible, par exemple.

• Il sera plus facile de créer des points ballon si on utilise le protège-fil d'aiguille ①.

1. Tourner la poulie de machine de manière à mettre la barre à aiguille à sa position la plus basse.

2. Desserrer la vis de fixation ②, puis disposer de manière que le bord supérieur du protège-fil d'aiguille ① soit aligné avec le centre du trou du releveur de barre à aiguille ③, et que le protège-fil d'aiguille ① soit parallèle au releveur de barre à aiguille ③.

3. Resserrer fermement la vis ②.

• El protector del hilo de aguja ① deberá ser usado si los lazos en el hilo de aguja son tan pequeños que el ojo guía no los puede levantar, lo cual puede ocurrir si por ejemplo el hilo de aguja se estira mucho.

• Será más fácil lograr puntadas tipo globo si se usa el protector del hilo de aguja ①.

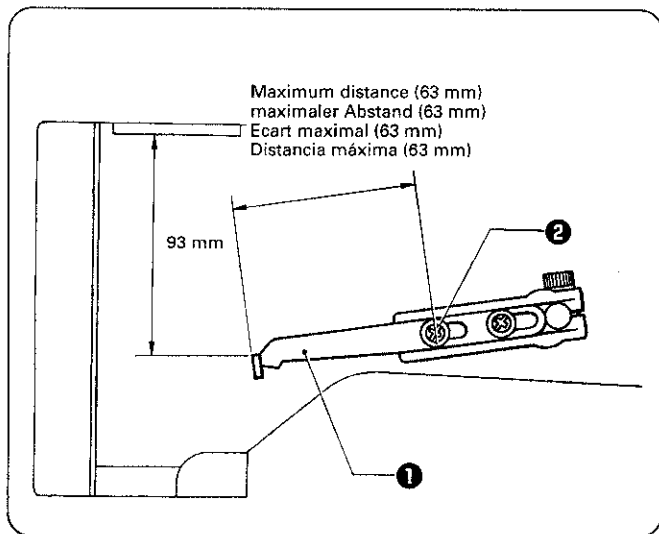
1. Girar la polea de la máquina para ajustar la barra de agujas a su posición más baja.

2. Aflojar el tornillo de sujeción ②, y luego ubicarlo de manera que el borde superior del protector de hilo de aguja ① se encuentre alineado con el centro del orificio del hilo en el tirahilos de la barra de agujas ③, y de manera que el protector de hilo de aguja ① se encuentre paralelo al tirahilos de la barra de agujas ③.

3. Apretar bien el tornillo ②.

8-1-4. Position du releveur de fil d'aiguille
 8-1-4. Posición del tirahilos de aguja

8-1-4. Needle thread take-up position
 8-1-4. Oberfadenabnahmeposition



The needle thread take-up ① is set to the following position.

* The needle thread take-up ① should not be adjusted.

• The distance from the tip of the needle thread take-up ① to the center of the screw ② at the left side is the maximum distance (63 mm).

• When the needle thread take-up ① is at its lowest position, the distance from the tip of the needle thread take-up ① to the notch in the top of the arm is 93 mm.

Die Oberfadenabnahme ① wird auf die folgende Position gestellt.

* Die Oberfadenabnahme ① sollte nicht eingestellt werden.

• Der Abstand zwischen der Spitze der Oberfadenabnahme ① zur Schraubenmitte ② auf der linken Seite entspricht dem maximalen Abstand von 63 mm.

• Wenn sich die Fadenabnahme ① in der tiefsten Position befindet, beträgt der Abstand zwischen der Spitze der Oberfadenabnahme ① zur Kerbe auf der Oberseite des Arms 93 mm.

Le releveur de fil d'aiguille ① est réglé à la position suivante.

* Le releveur de fil d'aiguille ① ne doit pas être réglé.

• L'écart entre la pointe du releveur de fil d'aiguille ① et le centre de la vis ② située sur le côté gauche est l'écart maximal (63 mm).

• Lorsque le releveur de fil d'aiguille ① est à sa position la plus basse, l'écart entre la pointe du releveur de fil d'aiguille ① et l'encoche du haut du bras est de 93 mm.

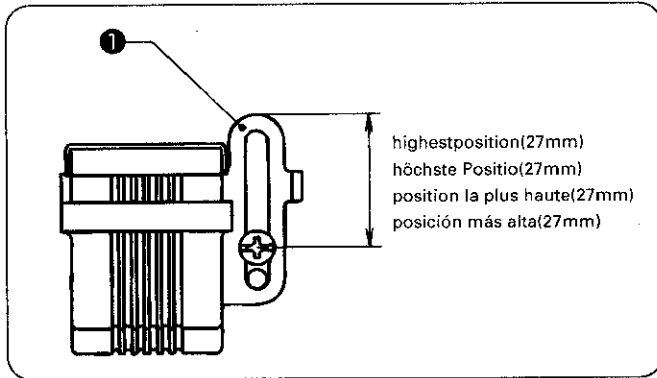
El tirahilos de aguja ① se ajusta a la siguiente posición.

* El tirahilos de aguja ① no debe ser ajustado.

• La distancia entre la punta del tirahilos de aguja ① y el centro del tornillo ② del lado izquierdo es la distancia máxima (63 mm).

• Cuando el tirahilos de aguja ① se encuentra en su posición más baja, la distancia desde la punta del tirahilos de aguja ① a la ranura en la parte de arriba del brazo es 93 mm.

8-1-5. Middle thread guide position
8-1-5. Position der mittleren Fadenführung
8-1-5. Position du guide du fil central
8-1-5. Posición de la guía de hilo intermedio



The middle thread guide ❶ is set to its highest position, and the distance from the upper edge of the middle thread guide ❶ to the center of the screw is 27 mm.

* The middle thread guide ❶ should not be adjusted.

Die mittlere Fadenführung ❶ ist auf die höchste Position eingestellt und der Abstand zwischen der oberen Kante der mittleren Fadenführung ❶ zur Schraubenmutter beträgt 27 mm.

* Die mittlere Fadenführung ❶ sollte nicht eingestellt werden.

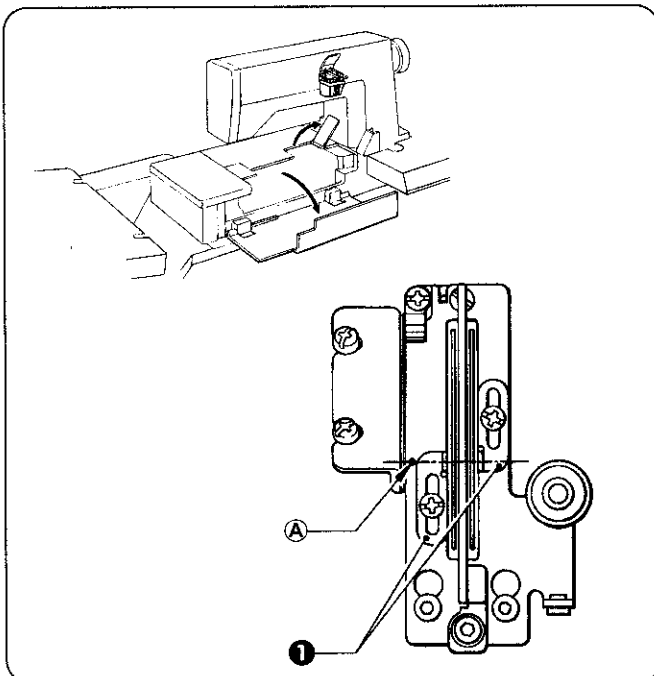
Le guide ❶ du fil central est réglé à sa position la plus haute, et l'écart entre le bord supérieur du guide ❶ du fil central et le centre de la vis est de 27 mm.

* Le guide ❶ du fil central ne doit pas être réglé.

La guía de hilo intermedio ❶ está instalada en su posición más alta, y la distancia desde el borde superior de la guía de hilo intermedio ❶ al centro del tornillo es 27 mm.

* La guía de hilo intermedio ❶ no debe ser ajustada.

8-1-6. Loper thread take-up thread guide position
8-1-6. Position der Unterfadenabnahmeführung
8-1-6. Position du guide du fil du releveur de fil de boucleur
8-1-6. Posición de la guía de tirahilos del ojo-guía



The looper thread take-up thread guide ❶ is set so that the center of the thread hole is aligned with the • mark (A).

* The looper thread take-up thread guide ❶ should not be adjusted.

Die Unterfadenabnahmeführung ❶ ist so eingestellt, da die Mitte des Fadenlochs auf die Markierung • (A) ausgerichtet ist.

* Die Unterfadenabnahmeführung ❶ sollte nicht eingestellt werden.

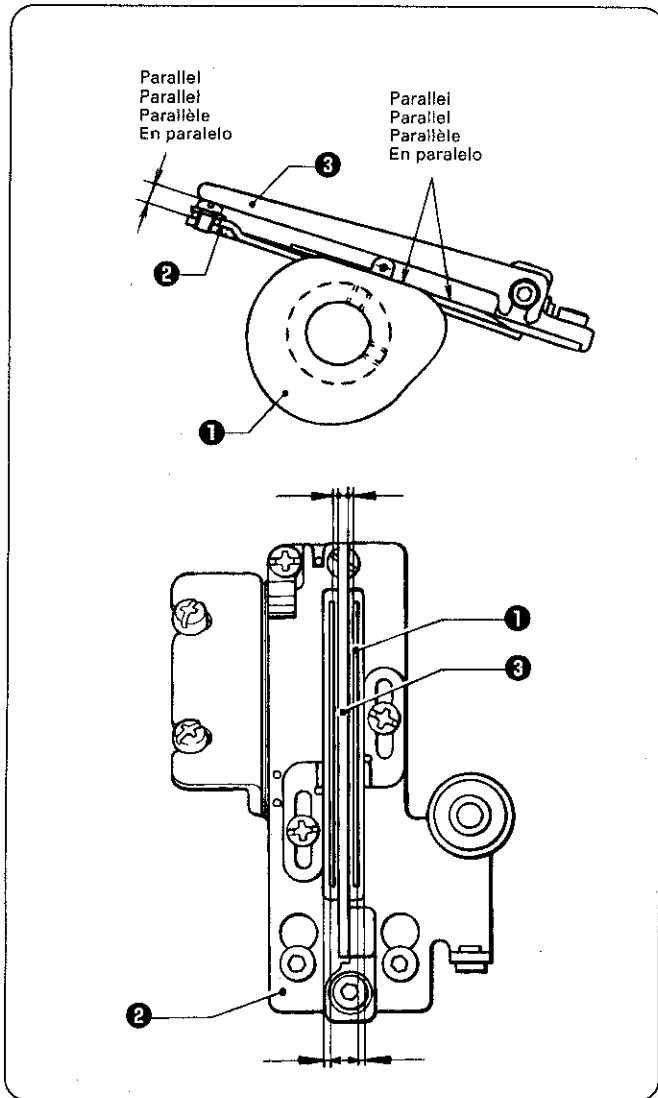
Le guide ❶ du fil du releveur de fil de boucleur est réglé de manière que le centre du trou de fil soit aligné avec le repère • (A).

* Le guide ❶ du fil du releveur de fil de boucleur ne doit pas être réglé.

La guía de tirahilos del ojo-guía ❶ está instalada de manera que el centro del orificio del hilo está alineado con la marca • (A).

* La guía de tirahilos del ojo-guía ❶ no debe ser ajustada.

8-1-7. Looper thread take-up position
 8-1-7. Position der Unterfadenabnahme
 8-1-7. Position du releveur de fil de boucleur
 8-1-7. Posición del tirahilos del ojo-guía



The looper thread take-up ① is set to the following condition.

- * The looper thread take-up ① should not be adjusted.
- When the needle bar is at its highest position, the straight section of the looper thread take-up ① is parallel to the top of the looper thread take-up base ②. Furthermore, the looper thread take-up presser ③ is parallel to the looper thread take-up base ②.
- The looper thread take-up ① has the same amount of clearance between both it and the looper thread take-up base ② and between it and the looper thread take-up presser ③.

Die Unterfadenabnahme ① ist wie folgt eingestellt.

- * Die Unterfadenabnahme ① sollte nicht eingestellt werden.
- Wenn sich die Nadelstange in der höchsten Position befindet, ist der gerade Teil der Unterfadenabnahme ① parallel zur Oberseite der Unterfadenabnahmebasis ②. Außerdem steht der Unterfadenabnahmendrucker ③ parallel zur Unterfadenabnahmebasis ②.
- Die Unterfadenabnahme ① hat den gleichen Abstand zur Unterfadenabnahmebasis ② und dem Unterfadenabnahmendrucker ③.

Le releveur de fil de boucleur ① est réglé à l'état suivant.

- * Le releveur de fil de boucleur ① ne doit pas être réglé.
- Lorsque la barre à aiguille est placée à sa position la plus haute, la partie droite du releveur de fil de boucleur ① est parallèle à la partie supérieure de la base ② du releveur de fil de boucleur. En outre, le presseur ③ du releveur de fil de boucleur est parallèle à la base ② du releveur de fil de boucleur.
- Le releveur de fil de boucleur ① possède la même quantité d'écart avec respectivement la base ② du releveur de fil de boucleur et le presseur ③ du releveur de fil de boucleur.

El tirahilos del ojo-guía ① está instalado en las siguientes condiciones.

- * El tirahilos del ojo-guía ① no debe ser ajustado.
- Cuando la barra de agujas se encuentra en su posición más alta, la sección recta del tirahilos del ojo-guía ① está paralela a la parte superior de la base del tirahilos del ojo-guía ②. Además, el prensor del tirahilos del ojo-guía ③ se encuentra paralelo a la base del tirahilos del ojo-guía ②.
- El tirahilos del ojo-guía ① tiene la misma separación entre el y la base del tirahilos del ojo-guía ② y entre el y el prensor del tirahilos del ojo-guía ③.

8-1-8. Looper thread guide F and thread guide positions
8-1-8. Position der Unterfadenführung F und der Fadenführung
8-1-8. Positions du guide F de fil de boucleur et du guide de fil
8-1-8. Posiciones de la guía F de hilo de ojo-guía y guía de hilo

The looper thread guide F ① and the thread guide ② are positioned as follows.

* The looper thread guide F ① and the thread guide ② should not be adjusted.

Die Position der Unterfadenführung F ① und der Fadenführung ② ist wie folgt eingestellt.

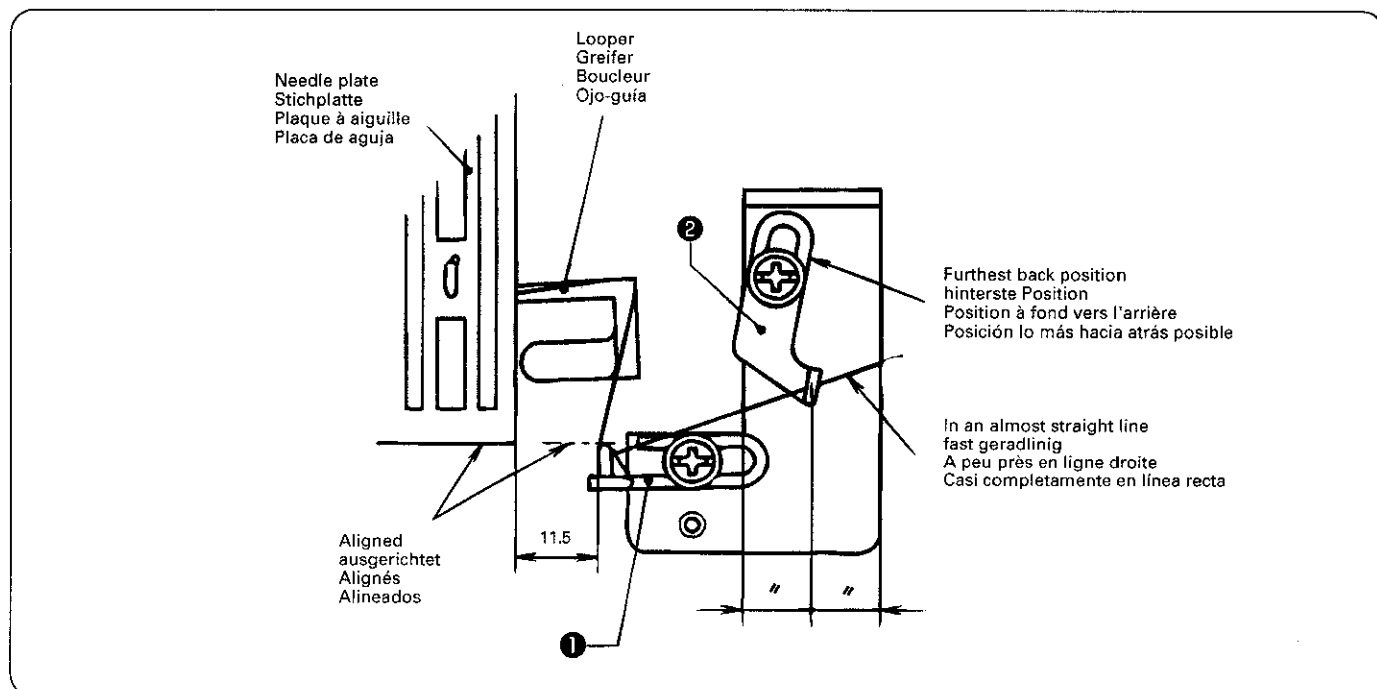
* Die Unterfadenführung F ① und die Fadenführung ② nicht eingestellt werden.

Le guide F de fil de boucleur ① et le guide de fil ② sont placés de la manière suivante.

* Le guide F de fil de boucleur ① et le guide de fil ② ne doivent pas être réglés.

La guía F de hilo de ojo-guía ① y la guía de hilo ② se encuentran de la siguiente manera.

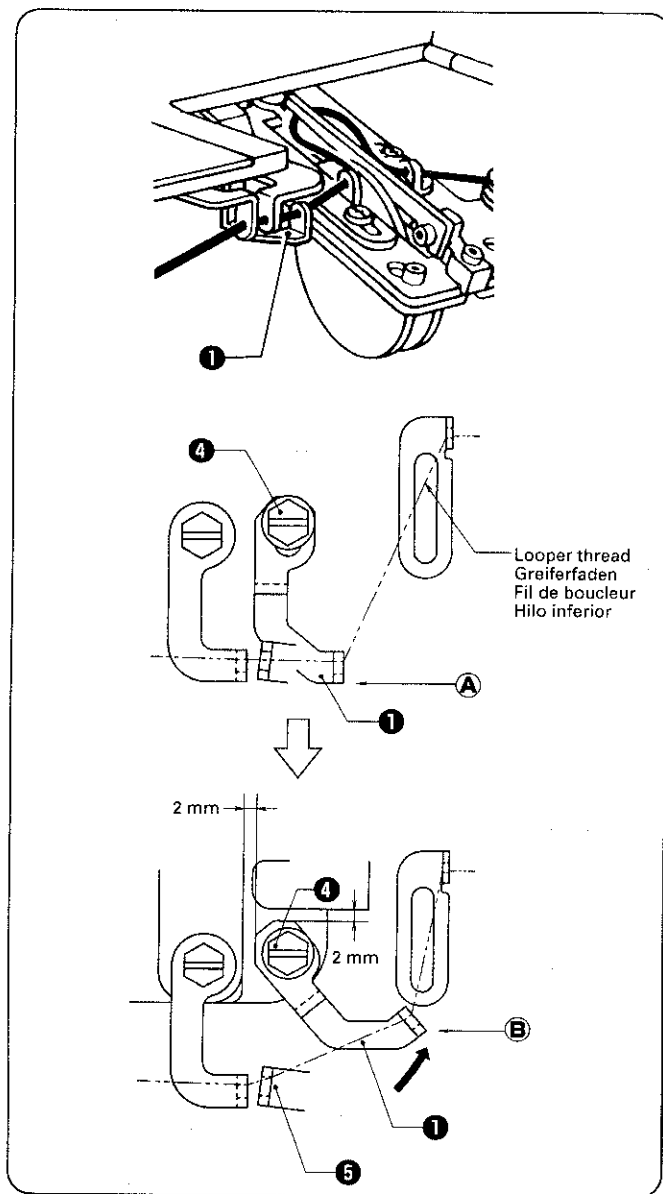
* La guía F de hilo de ojo-guía ① y la guía de hilo ② no deben ser ajustadas.



- The looper thread guide F ① is set in the position shown in the above illustration for all model specifications.
- The thread guide ② is set so that the looper thread is in an almost straight line.
- Die Unterfadenführung F ① ist bei allen Modellen in die, in der obenstehenden Abbildung gezeigten Position eingestellt.
- Die Fadenführung ② ist so eingestellt, daß sich der Unterfaden fast in einer geraden Linie befindet.
- Le guide F de fil de boucleur ① est réglé à la position montrée sur l'illustration ci-dessus pour toutes les spécifications de modèle.
- Le guide-fil ② est réglé de manière que le fil de boucleur soit placé à peu près en ligne droite.
- La guía F de hilo de ojo-guía ① está instalada en la posición indicada en la figura anterior para todas las especificaciones.
- La guía de hilo ② está instalada de manera que el hilo de ojo-guía se encuentra casi en línea recta.

8. ADJUSTING THE THREAD TENSION
 8. EINSTELLEN DER FADENSCHNUNG
 8. REGLAGE DE LA TENSION DU FIL
 8. AJUSTE DE TENSION DEL HILO

- 8-1-9. Looper thread guide R position.
 (If looper thread has snapped during thread trimming)
 8-1-9. Position der Unterfadenföhrung R
 (Falls sich der Faden beim Abschneiden gelöst hat)
 8-1-9. Position du guide de fil de boucleur R
 (Si le fil de boucleur s'est cassé pendant la coupe du fil)
 8-1-9. Posición del guiahilos del ojo-guía R.
 (Si el hilo inferior se rompa durante el corte de hilo)



The standard position for looper thread guide R ❶ is shown by position A in the illustration.

* However, if the looper thread snaps during thread trimming because the thread is weak, turn looper thread guide R ❶ to position B in the illustration to reduce the thread take-up amount.

Die Standardposition für die Unterfadenföhrung R ❶ ist in der Abbildung als Position A bezeichnet.

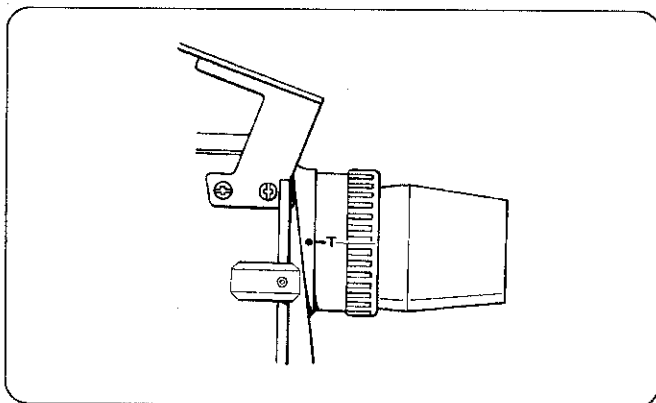
* Falls der Unterfaden beim Abschneiden abspringt, weil er schwach ist, müssen Sie die Unterfadenföhrung R ❶ in die Position B in der Abbildung drehen, um die Fadenabnahme zu verringern.

La position standard du guide de fil de boucleur R ❶ est indiquée par la position A sur l'illustration.

* Toutefois, si le fil de boucleur claque lors de la coupe du fil en raison de la faiblesse du fil, tourner le guide de fil de boucleur R ❶ à la position B indiquée sur l'illustration afin de diminuer la quantité de relèvement du fil.

La posición estándar para el guiahilos del ojo-guía R ❶ se indica mediante la posición A en la figura.

* Sin embargo, si el hilo del ojo-guía se resbala durante el corte del hilo debido a que el hilo es débil, girar el guiahilos del ojo-guía R ❶ a la posición B en la figura para reducir la cantidad de hilo que tira.



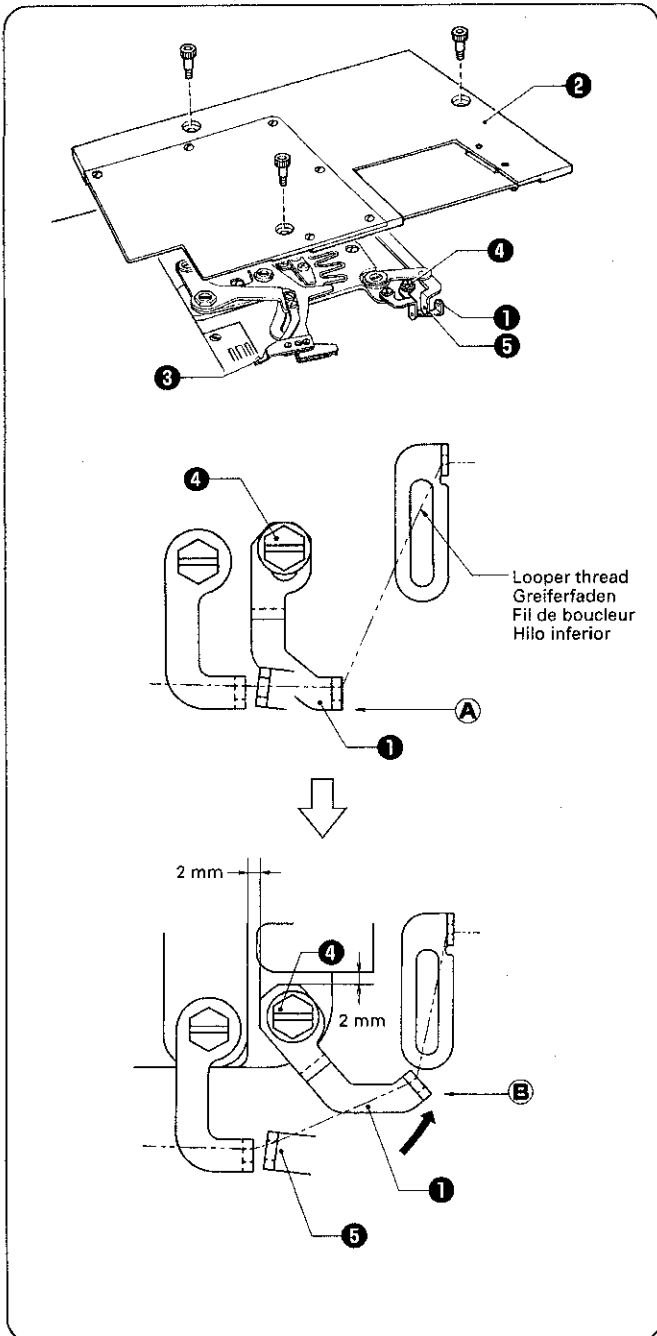
1. Turn the pulley to align T mark of the pulley with the matching indication on the arm.

1. Die Markierung T auf der Riemenscheibe durch Drehen der Riemenscheibe auf die Markierung am Arm ausrichten.

1. Tourner la poulie de la machine de façon à aligner le repère T marqué sur la poulie avec le repère correspondant marqué sur le bras.

1. Girar la polea de la máquina de coser para alinear la marca T de la polea con la marca correspondiente en el brazo.

8. ADJUSTING THE THREAD TENSION
8. EINSTELLEN DER FADENSPIANNUNG
8. REGLAGE DE LA TENSION DU FIL
8. AJUSTE DE TENSION DEL HILO



2. Remove the cloth plate R ②.
3. With the upper knife ③ moved to the left, adjust the position of looper thread guide R ①.
 - ① Loosen the bolt ④ a little.
 - ② Move looper thread guide R ③ from position A to position B, and tighten the bolt ④.
4. After adjustment, move the upper knife ② to the left, and make sure that the looper thread take-up lever ⑤ does not make contact with looper thread guide R ③.

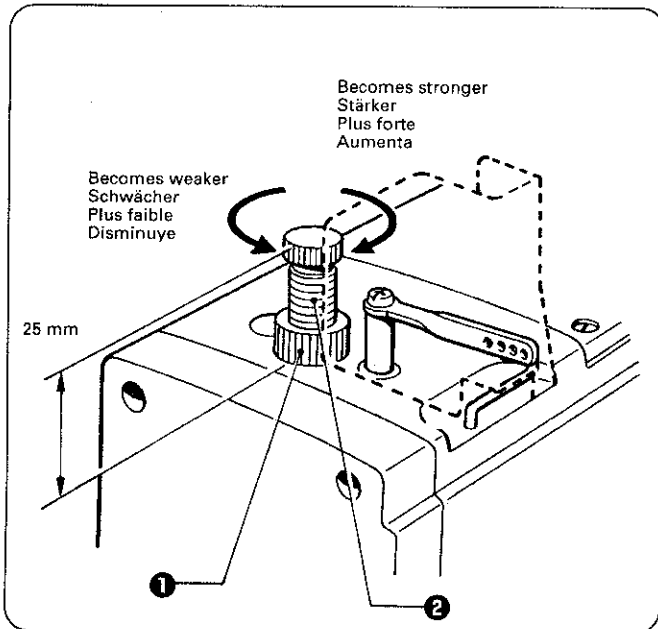
2. Die Platte R ② abnehmen.
3. Bewegen Sie zum Einstellen der Position der rechten Greiferfadenführung ① das obere Messer ③ nach links.
 - ① Lösen Sie die Schraube ④ ein wenig.
 - ② Stellen Sie die rechte Greiferfadenführung ③ von der Position A nach B und ziehen Sie die Schraube ④ wieder fest.
4. Bewegen Sie nach abgeschlossener Einstellung das obere Messer ② nach links und kontrollieren Sie, ob der Fadenabnahmehebel ⑤ die rechte Greiferfadenführung ③ nicht berührt.

2. Retirer la plaque à tissu R ②.
3. Le couteau supérieur ③ étant placé à gauche, régler la position du guide droit ① du fil de boucleur.
 - ① Desserrer un peu le boulon ④.
 - ② Déplacer le guide droit ③ du fil de boucleur de la position A à la position B, et serrer le boulon ④.
4. Une fois le réglage accompli, déplacer le couteau supérieur ② vers la gauche, et s'assurer que le levier ⑤ du releveur de fil de boucleur n'entre pas en contact avec le guide droit ③ du fil de boucleur.

2. Quitar la placa de tala R ②.
3. Con la cuchilla superior ③ hacia la izquierda, ajustar la posición de la guía R de hilo inferior ①.
 - ① Aflojar el perno ④ un poco.
 - ② Mover la guía R de hilo inferior ③ desde la posición A a la posición B, y apretar el perno ④.
4. Después de ajustar, mover la cuchilla superior ② a la izquierda, y asegurarse que la palanca del tirahilos del hilo inferior ⑤, no toca la guía R de hilo inferior ③.

8. ADJUSTING THE THREAD TENSION
 8. EINSTELLEN DER FADENSPIANNUNG
 8. REGLAGE DE LA TENSION DU FIL
 8. AJUSTE DE TENSION DEL HILO

8-2. Adjusting the presser foot pressure
 8-2. Einstellen des Stoffdrückerfußdrucks
 8-2. Réglage de la pression du pied presseur
 8-2. Ajuste de la presión del prensatelas



The presser foot pressure should be as weak as possible while still ensuring that the material feeding does not deteriorate and the presser foot does not rattle when sewing chaining-off stitches.

1. Loosen the adjustment nut ①.
2. Turn the adjustment screw ② to adjust the presser foot pressure.
(The standard height of the presser foot adjustment screw ② is 25 mm.)
3. Tighten the adjustment nut ①.
* If using the optional feeding presser foot, refer to "Installing the feeding presser foot" on page 110.

Der Stoffdrückerfußdruck sollte möglichst gering eingestellt werden, ohne daß jedoch den Stofftransport beeinträchtigt wird oder der Stoffdrückerfuß beim Nähen von Kettenstichen nicht klappert.

1. Die Mutter ① lösen.
2. Den Stoffdrückerfußdruck mit der Schraube ② einstellen.
(Die Standardhöhe der StoffdrückerfußEinstellschraube ② beträgt 25 mm.)
3. Die Mutter ① wieder festziehen.
* Bei Verwendung des Sonderstoffdrückerfußes wird auf den Abschnitt "Montage des Stoffdrückerfußes" auf Seite 110 verwiesen.

La pression du pied presseur doit être aussi faible que possible tout en veillant à ce que l'entraînement du tissu ne se détériore pas et que le pied presseur ne vibre pas lors de la couture de points de fin de chaînette.

1. Desserrer l'écrou de réglage ①.
2. Tourner la vis de réglage ② pour régler la pression du pied presseur.
(La hauteur normale de la vis ② de réglage de pied presseur est de 25 mm.)
3. Serrer l'écrou de réglage ①.
* Si l'on utilise le pied presseur d'entraînement en option, se reporter à la section "Installation du pied presseur d'entraînement" à la page 110.

La presión del prensatelas debe ser lo más débil posible y aún así asegurar que el material no se alimenta mal y el prensatelas no hace ruido al coser puntadas de cadena libre.

1. Alojarse la tuerca de ajuste ①.
2. Girar el tornillo de ajuste ② para ajustar la presión del prensatelas.
(La altura normal del tornillo de ajuste del prensatelas ② es 25 mm.)
3. Aprender la tuerca de ajuste ①.
* Si se usa el prensatelas de alimentación opcional, consultar la sección "Instalación del prensatelas de alimentación" en la página 110.

9. CLEANING 9. REINIGUNG

9. NETTOYAGE 9. LIMPIEZA

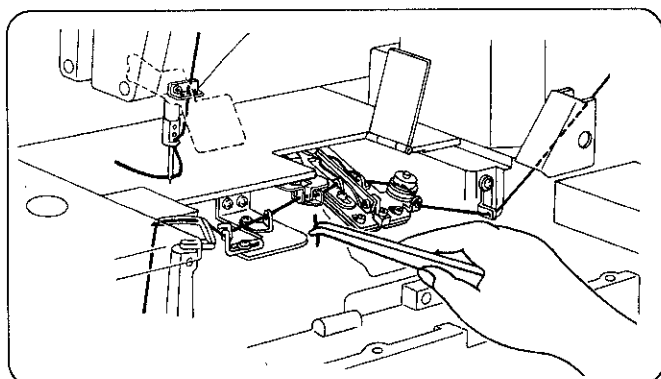
⚠ CAUTION/ACHTUNG/ATTENTION/ATENCIÓN

- | | |
|---|----------------------------------------------------------------------------------------------------------------------------------------------------------------------------------------------------------------------------------------------------------------------------------------------------------------------------------------------------------------------------------------|
| ⚠ | • Turn off the power switch before carrying out cleaning, otherwise the machine will operate if the treadle is pressed by mistake, which could result in injury. |
| ⊘ | • Be sure to wear protective goggles and gloves when handling the lubricating oil, so that no oil gets into your eyes or onto your skin, otherwise inflammation can result. Furthermore, do not drink the oil under any circumstances, as they can cause vomiting and diarrhoea. Keep the oil out of the reach of children. |
| ⚠ | • Schalten Sie vor dem Reinigen zuerst den Netzschalter aus, weil sonst durch eine unbeabsichtigte Betätigung des Pedals die Maschine in Gang gesetzt und Verletzungen verursachen kann. |
| ⊘ | • Tragen Sie zur Handhabung von Schmieröl eine Schutzbrille und Schutzhandschuhe. Falls Öl in die Augen oder auf die Haut gelangt, können sich diese Stellen entzünden. Bei irrtümlicher Einnahme von Öl kann Erbrechen und Durchfall auftreten. Bewahren Sie das Öl nicht in Reichweite von Kindern auf. |
| ⚠ | • Mettre l'interrupteur d'alimentation en position d'arrêt avant d'entreprendre le nettoyage, sinon la machine risquera de se mettre en marche si on enfonce accidentellement la pédale, et donc de causer des blessures. |
| ⊘ | • Veiller à mettre des lunettes et des gants de protection lors de la manipulation d'huile lubrifiante, afin de préserver les yeux et la peau de tout contact avec l'huile, et d'éviter tout risque d'inflammation. De plus, l'ingestion de l'huile est à proscrire absolument, car elle pourrait causer des vomissements et des diarrhées. Ranger l'huile hors de portée des enfants. |
| ⚠ | • Desconectar el interruptor principal antes de limpiar, de lo contrario la máquina podría comenzar a funcionar si por descuido se pisara el pedal, lo que podría resultar en heridas. |
| ⊘ | • Asegurarse de usar anteojos de seguridad y guantes al manipular aceites lubricantes, de manera que el aceite lubricante no salpique sus ojos o la piel, de lo contrario podrían resultar inflamados. Además, bajo ningún concepto beba aceite lubricante pues podría ocasionar vómitos y diarrea. Mantener el aceite lubricante lejos del alcance de los niños. |

9-1. Daily cleaning procedures 9-1. Tägliche Reinigung

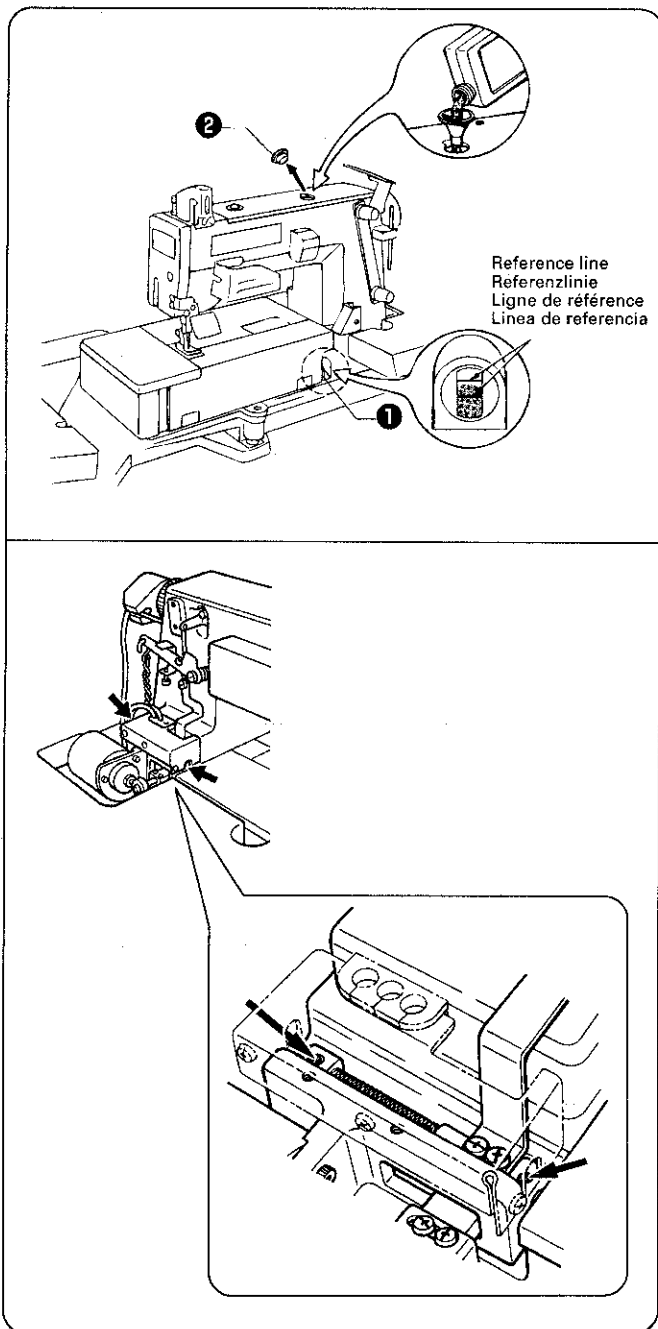
9-1. Méthodes de nettoyage quotidien 9-1. Procedimientos diarios de limpieza

- The following cleaning operations should be carried out each day in order to maintain the performance of this machine and to ensure a long service life. Furthermore, if the sewing machine has not been used for a long period of time, carry out the following cleaning procedures before using it again.
- Für eine hohe Nähmaschinenleistung und eine lange Lebensdauer muß die Nähmaschine täglich wie folgt gereinigt werden. Falls die Nähmaschine für längere Zeit nicht verwendet wurde, müssen vor der Wiederinbetriebnahme die folgenden Reinigungsarbeiten ausgeführt werden.
- Les opérations de nettoyage suivantes doivent être effectuées tous les jours afin de maintenir cette machine en bon état de marche et d'assurer sa longue durée de vie. En outre, si la machine à coudre n'a pas été utilisée pendant une longue période, effectuer les opérations de nettoyage suivantes avant de l'utiliser à nouveau.
- Los siguientes procedimientos de limpieza se deben realizar todos los días para mantener el rendimiento correcto de la máquina y asegurar una vida útil prolongada. Además, si la máquina de coser no hubiera sido usada durante un largo período de tiempo se deberá limpiar antes de volver a usarla.



- **Cleaning**
Remove all scraps of thread from inside the machine bed.
- **Reinigung**
Entfernen Sie alle Fadenreste aus dem Maschinenbett.
- **Nettoyage**
Enlever tous les morceaux de fil de l'intérieur du plateau de machine.
- **Limpieza**
Limpiar todos los restos de hilo del interior de la cama de la máquina.

9. CLEANING
9. REINIGUNG
9. NETTOYAGE
9. LIMPIEZA



■ **Lubrication**

Use only the lubricating oil (Nisseki Sewing Lube 15) specified by Brother.

1. If the oil level drops to the lower reference line in the oil gauge ❶, remove the rubber plug ❷ and add more lubricating oil until the oil level reaches the upper reference line of the oil gauge ❶.
2. Apply 2 - 3 drops of lubricating oil to both the thread trimmer driving shaft and the bearing in the places indicated by the arrows.

Repeat this operation once every 2 - 3 days.

* If the machine has not been used for a long period of time, add 2 - 3 drops of lubricating oil to the needle bar. (Refer to page 24.)

■ **Schmieren**

Verwenden Sie nur das von Brother vorgeschriebene Schmieröl (Nisseki Sewing Lube 15).

1. Falls der Ölstand im Sichtglas ❶ auf die untere Bezugslinie abfällt, entfernen Sie den Gummistopfen ❷ und füllen Sie Öl bis zur oberen Bezugslinie des Sichtglases ❶ nach.
2. Tragen Sie an den in der Abbildung mit Pfeilen bezeichneten Stellen 2 bis 3 Tropfen Öl auf die Fadenabschneiderwelle und das Lager auf. Tragen Sie alle das Öl 2 bis 3 Tage auf.

* Falls die Nähmaschine für längere Zeit nicht verwendet wurde, müssen Sie die Nadelstange mit 2 bis 3 Tropfen Öl schmieren. (Siehe Seite 24.)

■ **Lubrification**

Utiliser seulement l'huile de lubrification (Nisseki Sewing Lube 15) recommandée par Brother.

1. Si le niveau d'huile baisse jusqu'à la ligne de référence inférieure de la jauge d'huile ❶, retirer le bouchon en caoutchouc ❷ et ajouter de l'huile lubrifiante jusqu'à ce que le niveau d'huile atteigne la ligne de référence supérieure de la jauge d'huile ❶.
2. Mettre deux ou trois gouttes d'huile de lubrification sur l'arbre d'entraînement du coupe-fils et sur le roulement aux emplacements indiqués par les flèches. Répéter cette opération tous les deux ou trois jours.

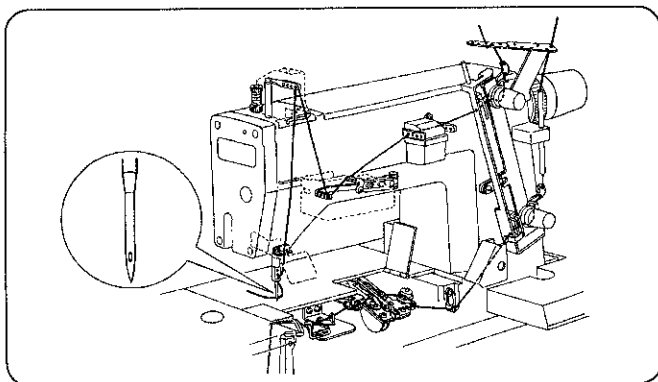
* Si la machine n'a pas utilisée pendant une longue période, ajouter 2 ou 3 gouttes d'huile lubrifiante sur la barre à aiguille. (Se reporter à la page 24.)

■ **Lubricación**

Usar sólo aceite lubricante (Nisseki Sewing Lube 15) especificado por Brother.

1. Si el nivel de aceite baja hasta la línea de referencia inferior del medidor de aceite ❶, quitar el tapón de caucho ❷ y agregar más aceite lubricante hasta que el nivel de aceite llegue a la línea de referencia superior del medidor de aceite ❶.
2. Aplicar 2 - 3 gotas de aceite lubricante al eje de impulsión del cortahilos y el cojinete en los lugares indicados por las flechas. Repetir esta operación una vez cada 2 - 3 días.

* Si la máquina no ha sido usada durante un largo período de tiempo, agregar 2 - 3 gotas de aceite lubricante a la barra de agujas. (Consultar la página 24.)



■ Vérification

1. Vérifier que les fils soient bien correctement enfilés. (Se reporter à la page 28 - 30.)
2. Vérifier que la pointe de l'aiguille ne soit pas cassée.
* Si la pointe de l'aiguille est cassée, il faut remplacer l'aiguille.
3. Effectuer un essai de couture.

■ Verificación

1. Verificar que los hilos hayan sido enhebrados correctamente. (Consultar la página 28 - 30.)
2. Verificar que la punta de la aguja no está rota.
* Si la punta de la aguja estuviera rota, la aguja deberá ser reemplazada.
3. Realizar una costura de prueba.

■ Checking

1. Check that the threads have been threaded correctly. (Refer to page 28 - 30.)
2. Check that the end of the needle is not broken.
* If the end of the needle is broken, the needle should be replaced.
3. Carry out a test sewing.

■ Kontrollieren

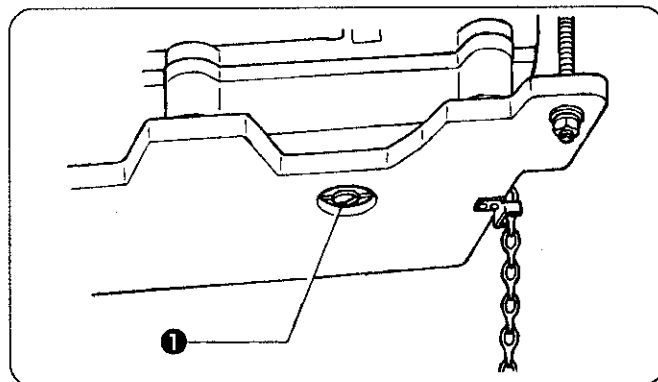
1. Kontrollieren Sie, ob die Fäden richtig eingefädelt sind. (Siehe Seite 28 - 30.)
2. Kontrollieren Sie, ob die Nadelspitze nicht stumpf ist.
* Falls die Nadelspitze abgebrochen ist, muß die Nadel ersetzt werden.
3. Führen Sie eine Nähprobe aus.

9-2. Changing the lubrication oil (every three months)

9-2. Wechseln des Öls (alle 3 Monate)

9-2. Changement de l'huile lubrifiante (tous les trois mois)

9-2. Cambiar el aceite lubricante (cada tres meses)



The oil should be replaced approximately once every three months.

1. Remove the drain plug ❶ on the bottom of the oil pan to drain the oil.

NOTE: When the drain plug ❶ is loosened, the lubricating oil will gush out. Hold a bottle or other container underneath the drain plug ❶ to catch the oil as it comes out.

2. Once all of the oil has drained out, securely tighten the drain plug ❶.
3. Pour in the new lubricating oil. (Refer to page 23.)

Das Öl sollte in Intervallen von etwa drei Monaten ausgewechselt werden.

1. Zum Ablassen die Ablassschraube ❶ an der Ölwanneunterseite entfernen.
HINWEIS: Beim Entfernen der Ablassschraube ❶ fließt das Öl aus. Halten Sie eine Flasche oder einen Behälter unter die Ablassschraube ❶, um das ausfließende Öl aufzufangen.
2. Nach dem das Öl vollständig herausgeflossen ist, ziehen Sie die Ablassschraube ❶ wieder fest.
3. Füllen Sie neues Öl ein. (Siehe Seite 23.)

Remplacer l'huile environ tous les trois mois.

1. Retirer le bouchon de vidange ❶ situé au bas du carter d'huile et vidanger l'huile.
REMARQUE: Lorsque le bouchon de vidange ❶ est desserré, l'huile lubrifiante s'échappera de la machine. Placer une bouteille ou un autre récipient sous le bouchon de vidange ❶ pour recueillir l'huile s'échappant de la machine.
2. Une fois que toute l'huile a été évacuée, resserrer fermement le bouchon de vidange ❶.
3. Verser l'huile lubrifiante neuve dans la machine. (Se reporter à la page 23.)

Se debe cambiar el aceite aproximadamente una vez cada tres meses.

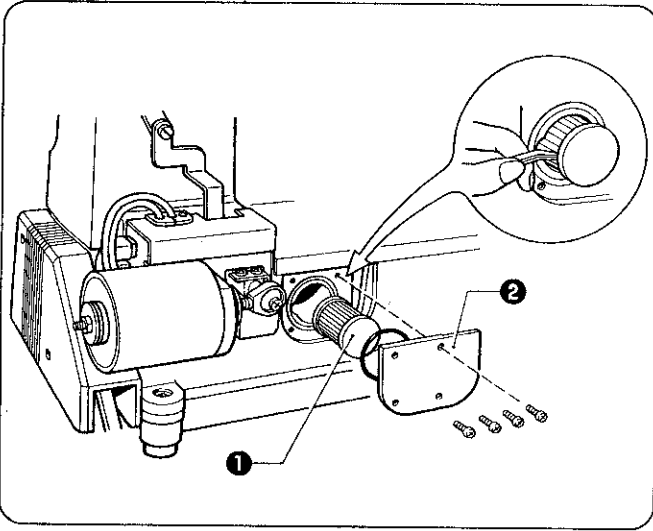
1. Desmontar el tapón de vaciado ❶ en el fondo del depósito de aceite para vaciar el aceite.
NOTA: Al aflojar el tapón de vaciado ❶ comenzará a gotear aceite lubricante. Colocar una botella u otro recipiente debajo del tapón de vaciado ❶ para recoger el aceite cuando comienza a salir.
2. Una vez que haya salido todo el aceite, apretar bien el tapón de vaciado ❶.
3. Agregar aceite lubricante nuevo. (Consultar la página 23.)

9-3. Replacing the oil filter (every six months)

9-3. Auswechseln des Ölfilters (alle 6 Monate)

9-3. Remplacement du filtre à huile (tous les six mois)

9-3. Cambio del filtro de aceite (cada seis meses)



- During normal usage, remove the filter about once every six months to check for clogging.
- The oil filter ❶ should be replaced immediately if very little oil is sprayed onto the oil glass or there are bubbles in the oil supply even though the oil level is OK.

To replace the oil filter ❶, remove the oil filter cover ❷ and remove the filter with tweezers.

CAUTION:

- The oil collected in the oil filter ❶ may leak out when the oil filter cover is removed. Be careful.
- Be careful not to break the oil filter ❶ with the tweezers.

- Unter normalen Betriebsbedingungen das Filter etwa alle sechs Monate auf Verstopfung prüfen.
- Das Ölfiler ❶ muß unverzüglich ausgewechselt werden, falls wenig Öl gegen das Schauglas gespritzt wird oder falls bei korrektem Ölstand Blasen im Öl auftreten.

Zum Auswechseln den Ölfilerdckel ❷ abnehmen und das Ölfiler ❶ mit einer Pinzette herausziehen.

HINWEIS:

- Den Ölfilerdeckel vorsichtig abnehmen, weil das Öl im Ölfiler ❶ auslaufen kann.
- Sind Sie vorsichtig, da das Ölfiler mit der Pinzette nicht beschädigt wird.

- Lors d'une utilisation normale de la machine, retirer le filtre environ tous les six mois et vérifier s'il n'est pas bouché.
- Si de l'huile asperge la fenêtre à huile, même en très petite quantité, ou si des bulles apparaissent dans l'huile, même si le niveau est adéquat, remplacer aussitôt le filtre à huile ❶.

Pour remplacer le filtre à huile ❶, retirer le couvercle du filtre ❷, puis enlever le filtre au moyen d'une pince à épiler.

PRÉCAUTION:

- L'huile accumulée dans le filtre à huile ❶ peut fuir lorsque le couvercle du filtre est retiré. Faire attention.
- Veiller à ne pas rompre le filtre à huile ❶ avec les pincettes.

- Si se usa la máquina en condiciones normales, se debe desmontar el filtro aproximadamente cada seis meses para verificar que no está obstruido.
- Se debe cambiar el filtro de aceite ❶ inmediatamente si se rocía muy poco aceite en la mirilla o si aparecen burbujas en el aceite aunque esté dentro de los niveles correctos.

Para cambiar el filtro de aceite ❶, desmontar la cubierta del filtro de aceite ❷ y desmontar el filtro con pinzas.

PRECAUCIÓN:

- El aceite acumulado en el filtro de aceite ❶ puede salirse al desmontar la cubierta del filtro de aceite. Se debe desmontar cuidadosamente.
- Tener cuidado de no romper el filtro de aceite ❶ con las pinzas.

10. Replacing the upper knife and lower knife

10. Ersetzen des oberen und unteren Messers

10. Remplacement du couteau supérieur et du couteau inférieur

10. Cambio de la cuchilla superior y la cuchilla inferior

⚠ CAUTION/ACHTUNG/ATTENTION/ATENCIÓN



• Replacement of parts should only be carried out by a qualified technician.



• Use only the proper replacement parts as specified by Brother.



• Turn off the power switch and disconnect the power cord from the wall outlet before replacing any parts, otherwise the machine may operate if the treadle is pressed by mistake, which could result in injury.



• Teile dürfen nur von einem qualifizierten Fachmann ausgetauscht werden.



• Verwenden Sie nur die richtigen, von Brother vorgeschriebenen Austauschteile.



• Schalten Sie zum Austauschen den Netzschalter aus und ziehen Sie den Netzstecker aus der Netzsteckdose, weil Verletzungsgefahr besteht, wenn sich die Maschine durch unbeabsichtigtes Drücken des Pedals in Betriebs setzt.



• Le remplacement des pièces doit être confié exclusivement à un technicien qualifié.



• Utiliser seulement les pièces de rechange recommandées par Brother.



• Mettre l'interrupteur d'alimentation sur la position d'arrêt et débrancher le cordon d'alimentation de la prise murale avant d'entreprendre le remplacement des pièces, sinon la machine risquera de ce mettre en marche si on enfonce accidentellement la pédale, ce qui pourrait causer des blessures.



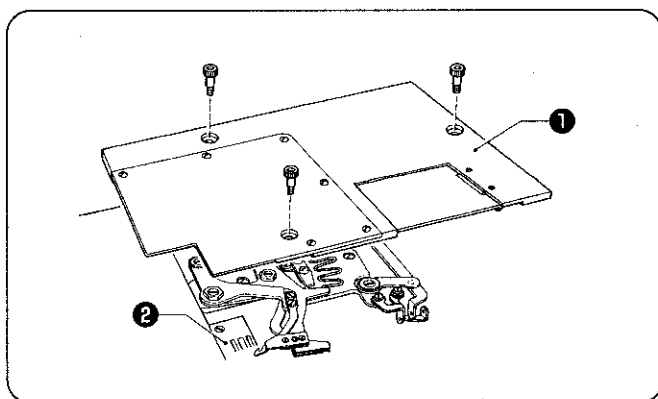
• El cambio de partes sólo debe ser realizado por personal técnico calificado.



• Usar sólo las piezas de repuesto especificadas por Brother.



• Desconectar el interruptor principal y desenchufar el cable del tomacorriente de la pared antes de cambiar una parte cualquiera, de lo contrario la máquina podría comenzar a funcionar si por descuido se pisara el pedal, lo que podría resultar en heridas.



■ Removal
 ■ Ausbau

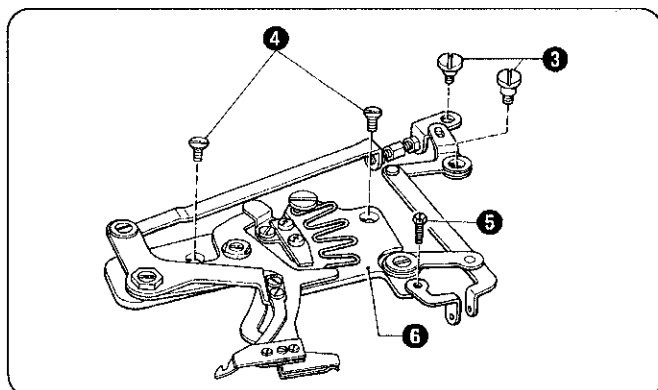
■ Retrait
 ■ Desmontaje

1. Remove cloth plate R ① and the needle plate ②.

1. Entfernen Sie die Stoffplatte R ① und die Stichplatte ②.

1. Retirer la plaque à tissu R ① et la plaque à aiguille ②.

1. Desmontar la placa de tela R ① y la placa de aguja ②.



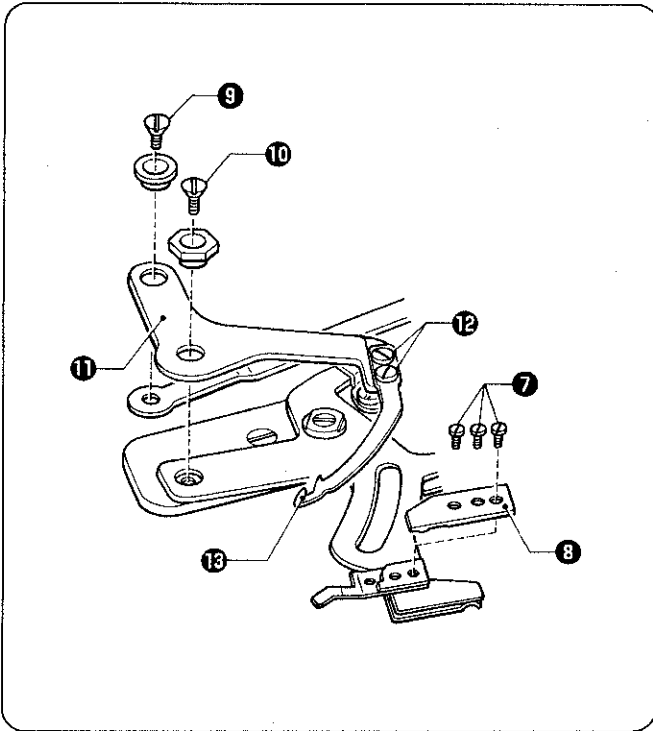
2. Remove the two stud screws ③, the two pan screws ④ and the bolt ⑤, and then remove the thread trimming unit ⑥.

2. Entfernen Sie die beiden Stiftschrauben ③, die beiden Schrauben ④ und die Schraube ⑤ und nehmen Sie die Fadenabschneidereinheit ⑥ ab.

2. Retirer les deux vis à grosse tête ③, les deux vis à cuvette ④ et le boulon ⑤, puis retirer l'unité de coupe-fils ⑥.

2. Desmontar los dos espárragos ③, los dos tornillos de bandeja ④ y el perno ⑤, y luego desmontar el cortahilos ⑥.

10. Replacing the upper knife and lower knife
10. Ersetzen des oberen und unteren Messers
10. Remplacement du couteau supérieur et du couteau inférieur
10. Cambio de la cuchilla superior y la cuchilla inferior



3. Remove the three pan screws **7**, and then remove the upper knife **8**.
4. Remove the pan screws **9** and **10**, and then remove the lower knife lever **11**.
5. Remove the two screws **12**, and then remove the lower knife **13**.

3. Entfernen Sie die drei Schrauben **7** und nehmen Sie das obere Messer **8** ab.
4. Entfernen Sie die Schrauben **9** und **10** und nehmen Sie den Messerhebel **11** ab.
5. Entfernen Sie die beiden Schrauben **12** und nehmen Sie das untere Messer **13** ab.

3. Retirer les trois vis à cuvette **7**, puis retirer le couteau supérieur **8**.
4. Retirer les vis à cuvette **9** et **10**, puis retirer le levier **11** du couteau inférieur.
5. Retirer les deux vis **12**, puis retirer le couteau inférieur **13**.

3. Desmontar los tres tornillos de bandeja **7**, y luego desmontar de la cuchilla superior **8**.
4. Desmontar los tornillos de bandeja **9** y **10**, y luego desmontar la palanca de la cuchilla inferior **11**.
5. Desmontar los dos tornillos **12**, y luego desmontar la cuchilla inferior **13**.

- Installation
- Einbau
- Installation
- Instalación

Install the upper knife **8** and lower knife **13** while carrying out all of the adjustments given on pages 75 - 84.

Bauen Sie das obere **8** und das untere Messer **13** ein und führen Sie dabei alle Einstellungen aus, die auf den Seiten 75 bis 84 beschrieben sind.

Installer le couteau supérieur **8** et le couteau inférieur **13** tout en effectuant tous les réglages indiqués aux pages 75 à 84.

Instalar la cuchilla superior **8** y la cuchilla inferior **13** mientras que realiza todos los ajustes indicados en las páginas 75 - 84.

11. STANDARD ADJUSTMENTS
 11. STANDARDEINSTELLUNGEN
 11. REGLAGES STANDARD
 11. AJUSTES ESTANDARES

⚠ CAUTION/ACHTUNG/ATTENTION



• Maintenance and inspection of the sewing machine should only be carried out by a qualified technician.



• Ask your Brother dealer or a qualified electrician to carry out any maintenance and inspection of the electrical system.



• If any safety devices have been removed, be absolutely sure to re-install them to their original positions and check that they operate correctly before using the machine.



• Turn off the power switch and disconnect the power cord from the wall outlet at the following times, otherwise the machine may operate if the treadle is depressed by mistake, which could result in injury.

- When carrying out inspection, adjustment and maintenance
- When replacing consumable parts such as the loopers and knife.



• Disconnect the air hoses from the air supply and wait for the needle on the pressure gauge to drop to "0" before carrying out inspection, adjustment and repair of any parts which use the pneumatic equipment.



• If the power switch and air need to be left on when carrying out some adjustment, be extremely careful to observe all safety precautions.



• Die Wartung und Inspektion darf nur durch einen qualifizierten Fachmann ausgeführt werden.



• Wenden Sie sich für die Wartung und Inspektion des elektrischen Systems an Ihren Brother-Händler oder an einen qualifizierten Elektriker.



• Falls Sicherheitsvorrichtungen entfernt wurden, müssen sie unbedingt wieder in den ursprünglichen Positionen montiert werden. Kontrollieren Sie vor der Inbetriebnahme die Sicherheitsvorrichtungen auf richtige Funktion.



• Schalten Sie den Netzschalter in den folgenden Fällen immer aus und ziehen Sie das Netzkabel aus der Steckdose, weil sonst Verletzungsgefahr besteht, wenn die Nähmaschine durch unbeabsichtigtes Betätigen des Pedals in Gang gesetzt wird.

- Zum Ausführen von Inspektionen, Einstellungen und Wartungsarbeiten
- Beim Ersetzen von Verbrauchsteilen, wie Greifer und Messer.



• Lösen Sie die Druckluftleitungen von der Druckluftversorgung und warten Sie, bis die Manometeranzeige auf "0" abgefallen ist, bevor Sie mit dem Kontrollieren, Einstellen oder mit der Reparatur von Teilen beginnen, die mit Druckluft betrieben werden.



• Falls bestimmte Einstellungen bei eingeschaltetem Netzschalter und eingeschalteter Druckluft vorgenommen werden, so müssen die Sicherheitsmaßnahmen sorgfältig beachtet werden.



• L'entretien et la vérification de la machine à coudre doivent être confiés exclusivement à un technicien qualifié.



• S'adresser à un concessionnaire Brother ou à un électricien qualifié pour effectuer des travaux d'entretien ou de vérification du système électrique.



• Si des dispositifs de sécurité ont été déposés, veiller absolument à les remettre à leur place initiale et vérifier qu'ils fonctionnent correctement avant d'utiliser la machine.



• Mettre l'interrupteur d'alimentation sur la position d'arrêt et débrancher le cordon d'alimentation de la prise murale aux moments suivants, sinon la machine risquera de se mettre en marche si on relâche la pédale par erreur, et on risquera alors de se blesser.

- Lorsqu'on effectue des travaux de vérification, de réglages ou d'entretien.
- Lors du remplacement des accessoires tels que les boucleurs et le couteau.



• Débrancher les tuyaux d'air de l'alimentation d'air et attendre que l'aiguille de la jauge de pression soit descendue jusqu'à "0" avant d'entreprendre les vérifications, les réglages ou les réparations de pièces utilisant l'équipement pneumatique.



• Si l'on veut laisser l'interrupteur d'alimentation et l'alimentation d'air sur la position de marche pendant qu'on effectue des réglages, veiller à respecter rigoureusement toutes les consignes de précaution.

⚠ ATENCION



• El mantenimiento y la inspección de la máquina debe ser realizado sólo por un técnico calificado.



• Consultar a su distribuidor Brother o un electricista calificado por cualquier trabajo de mantenimiento e inspección eléctrica que se debiera realizar.



• Si se hubieran desmontado alguno de los dispositivos de seguridad, asegurarse de volver a instalarlos a su posición original y verificar que funcionan correctamente antes de usar la máquina.



• Desconectar el interruptor principal y desenchufar el cable de alimentación del tomacorriente en la pared en los siguientes casos, de lo contrario la máquina podría comenzar a funcionar si por descuido se pisara el pedal, lo que podría resultar en heridas.

- Al inspeccionar, ajustar o realizar el mantenimiento
- Al cambiar piezas como el formador del ojo-guía y la cuchilla



• Desconectar las mangueras de aire de la alimentación de aire y espere que la aguja del indicador de presión baje a "0" antes de realizar la inspección, ajuste y reparación de cualquier de las partes que usan el equipo neumático.



• Si el interruptor principal y el aire deben de quedar activados mientras se realiza un ajuste, tenga mucho cuidado en tener en cuenta todas las precauciones de seguridad.

11-1. Removing parts which need to be removed before adjustment

11-1. Ausbau von Teilen zum Vornehmen der Einstellungen

11-1. Dépose des pièces devant être retirées avant le réglage

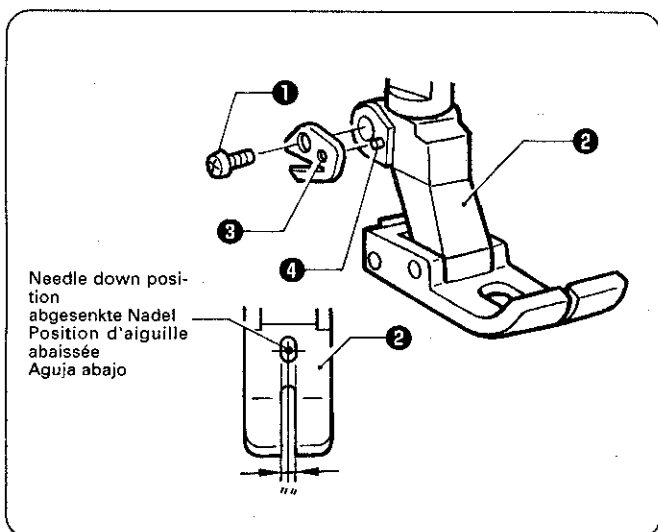
11-1. Desmontar las partes que deben ser desmontadas antes de ajustar

11-1-1. Presser foot

11-1-1. Stoffdrückerfuß

11-1-1. Pied presseur

11-1-1. Prensatelas



■ Removal

Loosen the screw **1**, and then remove the presser foot **2**.

■ Installation

Tighten the screw **1** to install the presser foot **2**.

- * Pass the pin **4** of the presser foot **2** through the hole in the trimming knife **3**, and then secure by tightening the screw **1**.
- * After installing the presser foot **2**, check that the needle is at an even distance from both sides of the needle hole in the presser foot **2** when the needle is in the down position.

■ Ausbau

Lösen Sie die Schraube **1** und entfernen Sie den Stoffdrückerfuß **2**.

■ Einbau

Ziehen Sie die Schraube **1** fest, um den Stoffdrückerfuß **2** einzubauen.

- * Führen Sie den Stift **4** des Stoffdrückerfußes **2** durch das Loch des Fadenabschneidemessers **3** und sichern Sie den Stift mit der Schraube **1**.
- * Nach dem Einbau des Stoffdrückerfußes **2** kontrollieren, ob der Abstand zwischen der abgeseckten Nadel und dem Nadelloch im Stoffdrückerfuß **2** auf allen Seiten gleich ist.

■ Dépose

Desserrer la vis **1**, puis déposer le pied presseur **2**.

■ Installation

Serrer la vis **1** pour monter le pied presseur **2**.

- * Faire passer la broche **4** du pied presseur **2** dans le trou du couteau **3**, puis fixer en serrant la vis **1**.
- * Après avoir installé le pied presseur **2**, vérifier que l'aiguille soit bien à une distance égale des deux côtés du trou d'aiguille du pied presseur **2** lorsque l'aiguille est en position abaissée.

■ **Desmontaje**

Aflojar el tornillo ①, y luego desmontar el prensatelas ②.

■ **Instalación**

Apretar el tornillo ① para instalar el prensatelas ②.

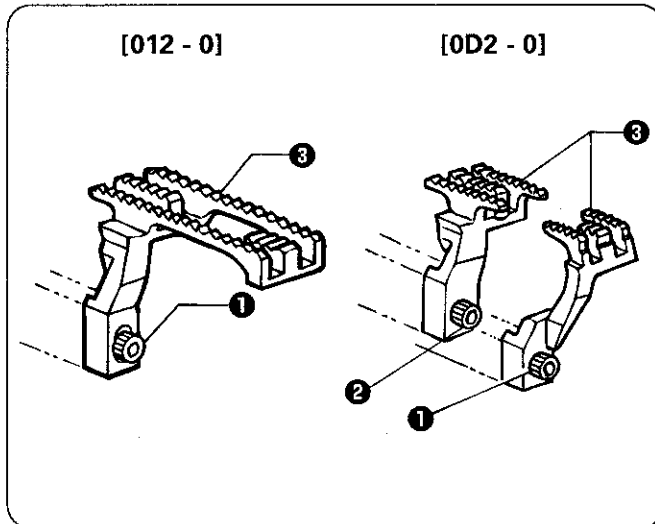
- * Pasar el pasador ④ del prensatelas ② a través del orificio en la cuchilla de recorte ③, y luego asegurarlo apretando el tornillo ①.
- * Después de instalar el prensatelas ② verificar que la aguja se encuentra a igual distancia de ambos lados del orificio de aguja en el prensatelas ② cuando la aguja se encuentra abajo.

11-1-2. Feed dog

11-1-2. Transporteur

11-1-2. Griffe d'entraînement

11-1-2. Alimentador



■ **Removal**

1. Remove the presser foot and the needle plate.
2. Remove the bolt ① (and the bolt ②), and then remove the feed dog(s) ③.

■ **Installation**

1. Install the feed dog(s) ③ with the bolt ① (and the bolt ②).
2. Install the needle plate.
3. Adjust the height of the feed dog(s) ③ while referring to page 67.
4. Install the presser foot.

■ **Ausbau**

1. Entfernen Sie den Stoffdrückerfuß und die Stichplatte.
2. Entfernen Sie die Schraube ① (und die Schraube ②) und nehmen Sie den Transporteur bzw. die Transporteure ③ ab.

■ **Einbau**

1. Bauen Sie den Transporteur bzw. die Transporteure ③ mit der Schraube ① (und der Schraube ②) ein.
2. Bringen Sie die Stichplatte wieder an.
3. Stellen Sie die Höhe des Transporteurs, bzw. der Transporteure ③ ein, dazu wird auf die Seite 67 verwiesen.
4. Montieren Sie den Stoffdrückerfuß.

■ **Dépose**

1. Déposer le pied presseur et la plaque à aiguille.
2. Retirer le boulon ① (et le boulon ②), puis retirer la (les) griffe(s) d'entraînement. ③.

■ **Installation**

1. Monter la (les) griffe(s) d'entraînement ③ à l'aide du boulon ① (et du boulon ②).
2. Monter la plaque à aiguille.
3. Régler la hauteur de la (des) griffe(s) d'entraînement ③ tout en se reportant à la page 67.
4. Monter le pied presseur.

■ **Desmontaje**

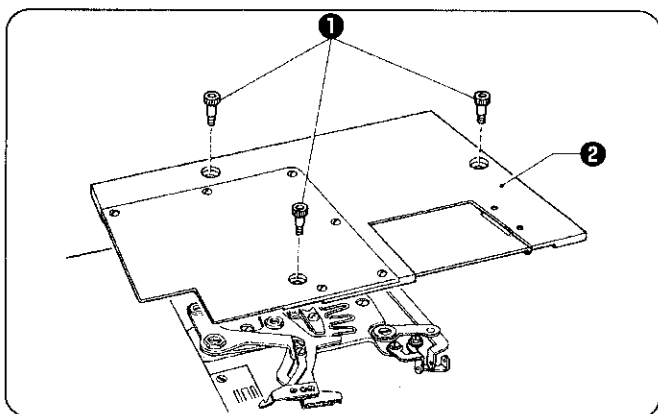
1. Desmontar el prensatelas y la placa de agujas.
2. Desmontar el perno ① (y el perno ②), y luego desmontar el(los) alimentador(es) ③.

■ **Instalación**

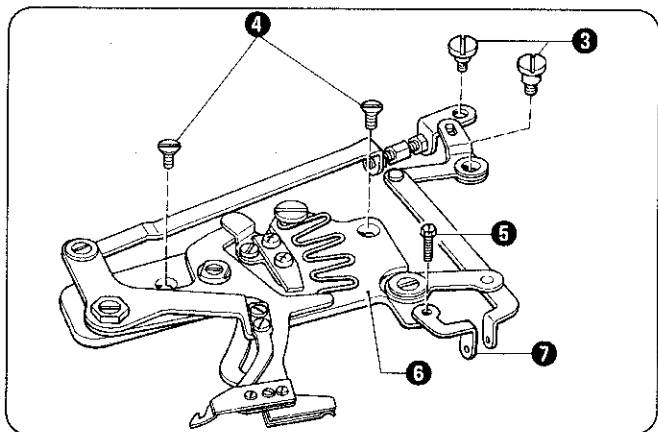
1. Instalar el(los) alimentador(es) ③ con el perno ① (y el perno ②).
2. Instalar la placa de agujas.
3. Ajustar la altura del(los) alimentador(es) ③ consultando la página 67.
4. Instalar el prensatelas.

11. STANDARD ADJUSTMENTS
 11. STANDARDEINSTELLUNGEN
 11. REGLAGES STANDARD
 11. AJUSTES ESTANDARES

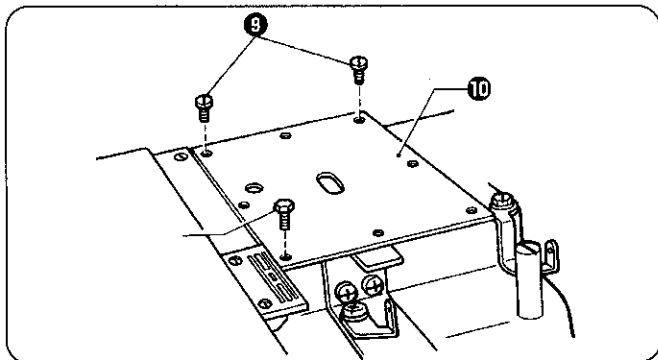
11-1-3. Cloth plate R, thread trimming unit and bed upper cover
 11-1-3. Stoffplatte R, Fadenabschneidereinheit und obere Abdeckung
 11-1-3. Plaque à tissu R, unité de coupe-fils et couvercle supérieur de plateau
 11-1-3. Placa de tela R, cortahilos y cubierta superior de la cama



- | | |
|-----------|--------------|
| ■ Removal | ■ Dépose |
| ■ Ausbau | ■ Desmontaje |
1. Remove the three bolts ①, and then remove cloth plate R ②.
 1. Entfernen Sie die drei Schrauben ① und nehmen Sie die Stoffplatte R ② ab.
 1. Retirer les trois boulons ①, puis retirer la plaque à tissu R ②.
 1. Desmontar los tres pernos ①, y luego desmontar la placa de tela R ②.



2. Remove the two stud screws ③, the two pan screws ④ and the bolt ⑤, and then remove the thread trimming unit ⑥ and looper thread guide L ⑦.
2. Entfernen Sie die beiden Stiftschrauben ③, die beiden Schrauben ④ und die Schraube ⑤ und nehmen Sie die Fadenabschneidereinheit ⑥ und die Unterfadenführung L ⑦ ab.
2. Retirer les deux vis à grosse tête ③, les deux vis à cuvette ④ et le boulon ⑤, puis retirer l'unité de coupe-fils ⑥ et le guide de fil de boucleur L ⑦.
2. Desmontar los dos espárragos ③, los dos tornillos de bandeja ④ y el perno ⑤, y luego desmontar el cortahilos ⑥ y el guiahilos del ojo-guía L ⑦.



3. Remove the bolt ⑧ and the two screws ⑨, and then remove the bed upper cover ⑩.
3. Entfernen Sie die Schraube ⑧ und die beiden Schrauben ⑨ und nehmen Sie die obere Abdeckung ⑩ ab.
3. Retirer le boulon ⑧ et les deux vis ⑨, puis retirer le couvercle supérieur ⑩ de plateau.
3. Desmontar el perno ⑧ y los dos tornillos ⑨, y luego desmontar la cubierta superior de la cama ⑩.

■ Installation

Carry out the above procedure in reverse to install. However, after installing the thread trimming unit ⑥, carry out the adjustments in "11-3-5. Adjusting the lower knife and looper positions", "11-3-6. Adjusting the lower knife and needle positions" and "11-3-7. Adjusting the upper knife stopper".

■ Einbau

Führen Sie zur Montage die obenstehenden Schritte in umgekehrter Reihenfolge aus. Beim Einbau der Fadenabschneidereinheit ⑥ müssen Sie die in den Abschnitten "11-3-5. Einstellen der unteren Messer- und der Greiferposition", "11-3-6. Einstellen der unteren Messer- und der Nadelposition" und "11-3-7. Einstellen des Obermesseranschlages" beschriebenen Einstellungen ausführen.

■ Installation

Pour l'installation, effectuer la procédure ci-dessus en sens inverse. Toutefois, après avoir installé l'unité de coupe-fils ⑥, effectuer les réglages décrits aux sections "11-3-5. Réglage des positions du couteau inférieur et du boucleur", "11-3-6. Réglage des positions du couteau inférieur et de l'aiguille" et "11-3-7. Réglage de la butée du couteau supérieur".

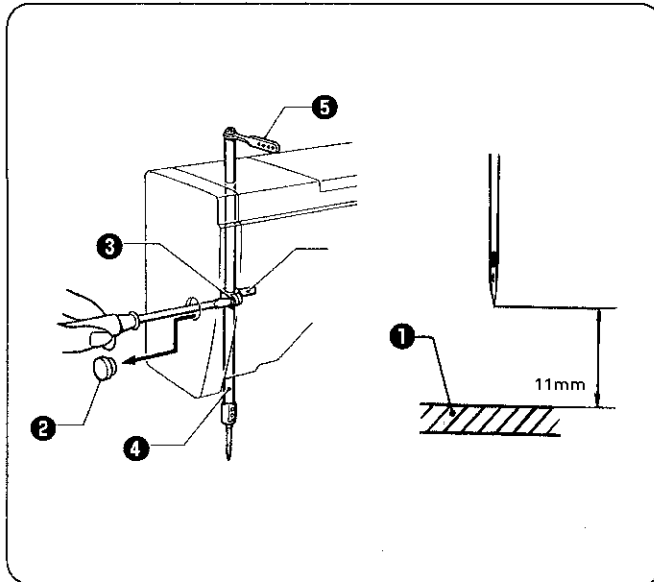
■ Instalación

Realizar el procedimiento anterior en el orden inverso a la instalación. Sin embargo, después de instalar el cortahilos ⑥, realizar los ajustes en la sección "11-3-5. Ajuste de las posiciones de la cuchilla inferior y el ojo-guía", "11-3-6. Ajuste de las posiciones de la cuchilla inferior y la aguja" y "11-3-7. Ajuste del tope de la cuchilla superior".

11-2. Adjusting the machine head
11-2. Einstellen des Maschinenoberteils

11-2. Réglage de la tête de machine
11-2. Ajuste de la cabeza de la máquina

11-2-1. Adjusting the height of the needle bar
11-2-1. Einstellung der Nadelstangenhöhe
11-2-1. Réglage de la hauteur de la barre à aiguille
11-2-1. Ajuste de la altura de la barra de agujas



Turn the machine pulley to set the needle bar to its highest position. The distance from the tip of the needle to the top of the needle plate ① will be 11 mm at this time.

1. Remove the rubber plug ② from the face plate.
2. Loosen the screw ③ of the needle bar clamp, and then move the needle bar ④ up and down to adjust its position.
3. Tighten the screw ③.
4. Check that the needle bar take-up ⑤ is facing directly forward.

Heben Sie die Nadelstange durch Drehen des Handrads in die höchste Position an. Der Abstand zwischen der Nadelspitze zur Oberseite der Stichplatte ① beträgt dann 11 mm.

1. Entfernen Sie den Gummistopfen ② von der Stirnplatte.
2. Lösen Sie die Schraube ③ von der Nadelstangenklammer und stellen Sie die Nadelstange ④ zum Einstellen nach oben oder unten.
3. Ziehen Sie die Schraube ③ wieder fest.
4. Kontrollieren Sie, ob die Nadelstangenabnahme ⑤ direkt nach vorne gerichtet ist.

Tourner la poulie de machine de manière à régler la barre à aiguille à sa position la plus haute. L'écart entre la pointe de l'aiguille et le haut de la plaque à aiguille ① sera alors de 11 mm.

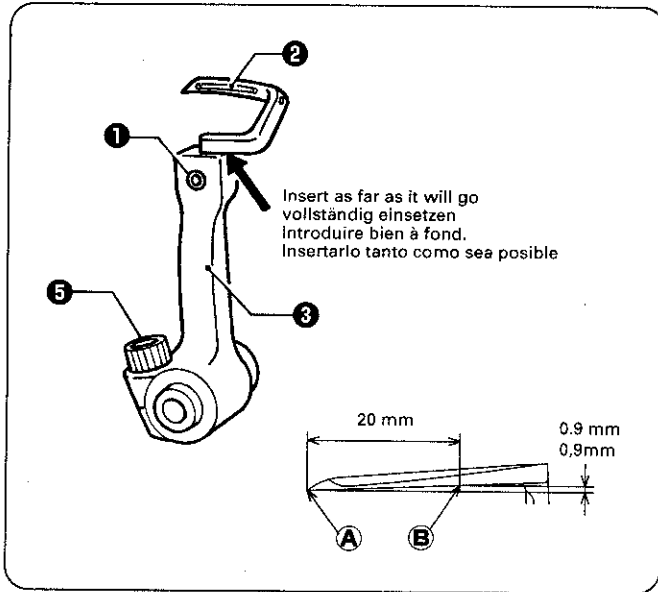
1. Retirer le bouchon en caoutchouc ② de la plaque frontale.
2. Desserrer la vis ③ du collier de barre à aiguille, puis déplacer la barre à aiguille ④ vers le haut et vers le bas pour régler sa position.
3. Resserrer la vis ③.
4. Vérifier que le releveur ⑤ de barre à aiguille soit orienté face à l'avant.

Girar la polea de la máquina para ajustar la barra de agujas a su posición más alta. La distancia desde la punta de la aguja hasta la parte de arriba de la placa de agujas ① será de 11 mm en este momento.

1. Desmontar el tapón de caucho ② desde la placa delantera.
2. Aflojar el tornillo ③ de la abrazadera de la barra de agujas, y luego mover la barra de agujas ④ hacia arriba y abajo para ajustar su posición.
3. Apretar el tornillo ③.
4. Verificar que el tirahilos de la barra de agujas ⑤ está directamente hacia adelante.

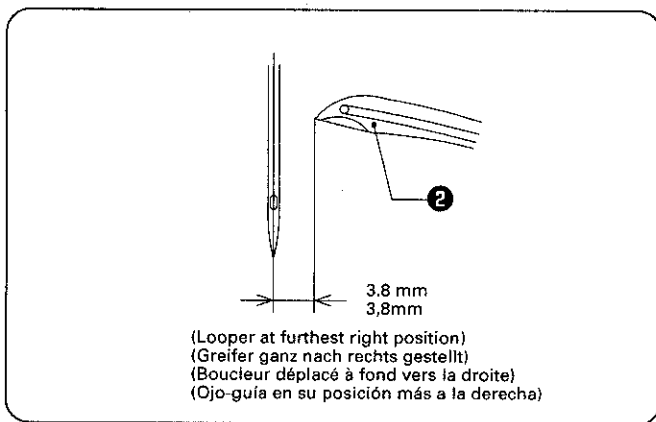
11. STANDARD ADJUSTMENTS
11. STANDARDEINSTELLUNGEN
11. REGLAGES STANDARD
11. AJUSTES ESTANDARES

11-2-2. Needle and looper positions
11-2-2. Nadel- und Greiferposition
11-2-2. Positions de l'aiguille et du boucleur
11-2-2. Posiciones de la aguja y el ojo-guía



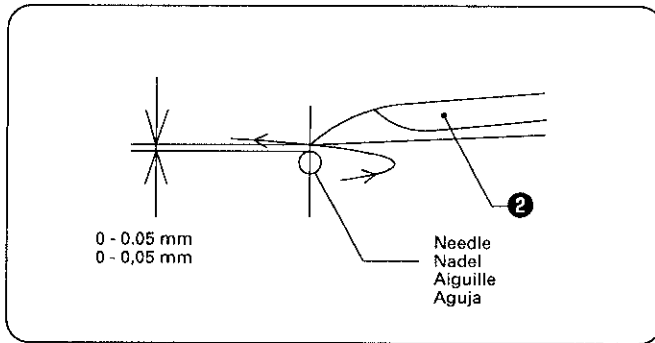
1. Remove the presser foot, needle plate and feed dog(s). (Refer to pages 57 - 58.)
 2. Loosen the set screw ①, and then insert the looper ② as far as it will go into the looper holder ③.
 3. Tighten the screw ①.
 4. The amount of tilt of the looper ② in the forward/back direction is determined by the screw stop position. The standard difference between ① and ② is 0.9 mm.
1. Entfernen Sie den Stoffdrückerfuß, die Stichplatte und den Transporteur, bzw. die Transporteure. (Siehe Seite 57 - 58.)
 2. Lösen Sie die Schraube ① und setzen Sie den Greifer ② vollständig in den Greiferhalter ③.
 3. Ziehen Sie die Schraube ① fest.
 4. Die Neigung des Greifers ② zwischen vorne/hinten wird durch den Schraubenanschlag bestimmt. Der Standardunterschied zwischen ① und ② beträgt 0,9 mm.

1. Déposer le pied presseur, la plaque à aiguille et la (les) griffe(s) d'entraînement. (Se reporter aux pages 57 - 58.)
 2. Desserrer la vis de fixation ①, puis introduire le boucleur ② à fond dans le support de boucleur ③.
 3. Resserrer la vis ①.
 4. La quantité d'inclinaison du boucleur ② dans la direction avant/arrière est déterminée par la position d'arrêt de la vis. La différence normale entre ① et ② est de 0,9 mm.
1. Desmontar el prensatelas, la placa de agujas y el(los) alimentador(es). (Consultar las páginas 57 - 58).
 2. Aflojar el tornillo de sujeción ①, y luego insertar el ojo-guía ② tanto como sea posible dentro del soporte del ojo-guía ③.
 3. Apretar el tornillo ①.
 4. La cantidad de inclinación del ojo-guía ② en la dirección hacia adelante/atrás se determina mediante la posición del tornillo de tope. La diferencia estándar entre ① y ② es de 0,9 mm.



5. Turn the machine pulley to move the looper ② as far to the right as it will go, and then loosen the bolt ⑤ and move the looper holder ③ to adjust so that the distance from the tip of the looper ② to the center of the needle is 3.8 mm. (The distance is the same for all model specifications and for all needles.)
 6. Provisionally tighten the bolt ⑤.
5. Durch Drehen des Handrads den Greifer ② ganz nach rechts stellen. Danach die Schraube ⑤ lösen und den Greiferhalter ③ einstellen, so daß der Abstand zwischen der Greiferspitze ② zur Nadelmitte 3,8 mm beträgt. (Dieser Abstand ist für alle Maschinenausführungen und Nadeln gleich.)
 6. Ziehen Sie die Schraube ⑤ provisorisch fest.

5. Tourner la poulie de machine de manière à déplacer le boucleur ② à fond vers la droite, puis desserrer le boulon ⑤ et déplacer le support de boucleur ③ pour régler de manière que l'écart entre la pointe du boucleur ② et le centre de l'aiguille soit de 3,8 mm. (L'écart est le même pour toutes les spécifications de modèle et pour toutes les aiguilles.)
 6. Resserrer provisoirement le boulon ⑤.
5. Girar la polea de la máquina para mover el ojo-guía ② hacia la derecha tanto como sea posible, y luego aflojar el perno ⑤ y mover el soporte del ojo-guía ③ para ajustar de manera que la distancia desde la punta del ojo-guía ② al centro de la aguja sea 3,8 mm. (La distancia es la misma para todas las especificaciones y para todas las agujas.)
 6. Apretar provisoriamente el perno ⑤.

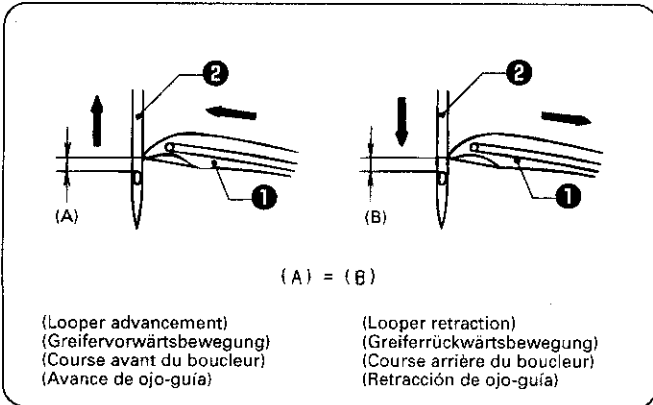


7. Furthermore, once the tip of the looper ② is aligned with the center of the needle, loosen the bolt ⑤ and move the looper holder ③ back and forward to adjust so that the clearance between the looper ② and the needle is 0 - 0.05 mm.
(The clearance is the same for all model specifications and for all needles.)
8. Tighten the bolt ⑤.
9. Check once more that the distance from the tip of the looper ② to the center of the needle is 3.8 mm.

7. Nachdem dem Ausrichten der Greiferspitze ② auf die Nadelmittle lösen Sie die Schraube ⑤ und verschieben Sie den Greiferhalter ③ nach vorne oder hinten, um den Abstand zwischen dem Greifer ② und der Nadel auf 0 - 0,05 mm einzustellen. (Dieser Abstand ist für alle Maschinenausführungen und Nadeln gleich.)
 8. Ziehen Sie die Schraube ⑤ fest.
 9. Kontrollieren Sie noch einmal, ob der Abstand zwischen der Greiferspitze ② und der Nadelmittle 3,8 mm beträgt.
7. En outre, une fois que la pointe du boucleur ② est alignée avec le centre de l'aiguille, desserrer le boulon ⑤ et déplacer le support de boucleur ③ vers l'arrière et vers l'avant de manière que l'écart entre le boucleur ② et l'aiguille soit de 0 - 0,05 mm.
(L'écart est le même pour toutes les spécifications de modèle et pour toutes les aiguilles.)
 8. Resserrer le boulon ⑤.
 9. Vérifier à nouveau que l'écart entre la pointe du boucleur ② et le centre de l'aiguille soit bien de 3,8 mm.
7. Además, una vez que la punta del ojo-guía ② se encuentre alineado con el centro de la aguja, aflojar el perno ⑤ y mover el soporte del ojo-guía ③ hacia atrás y adelante para ajustar de manera que la separación entre el ojo-guía ② y la aguja sea 0 - 0,05 mm.
(La separación es la misma para todas las especificaciones y todas las agujas.)
 8. Apretar el perno ⑤.
 9. Verificar una vez más que la distancia entre la punta del ojo-guía ② y el centro de la aguja sea 3,8 mm.

11. STANDARD ADJUSTMENTS
11. STANDARDEINSTELLUNGEN
11. REGLAGES STANDARD
11. AJUSTES ESTANDARES

11-2-3. Adjusting the needle and looper timing
11-2-3. Einstellen der Nadel- und Greifersynchronisation
11-2-3. Réglage de la synchronisation de l'aiguille et du boucleur
11-2-3. Ajuste de la sincronización de la aguja y el ojo-guía



1. Remove the presser foot, needle plate and feed dog(s). (Refer to pages 57 - 58.)
2. Turn the machine pulley and check that the looper ① crosses the needle ② in exactly the same place during both advancement and retraction.
 * If the crossing positions are different from each other, adjust by the following procedure.

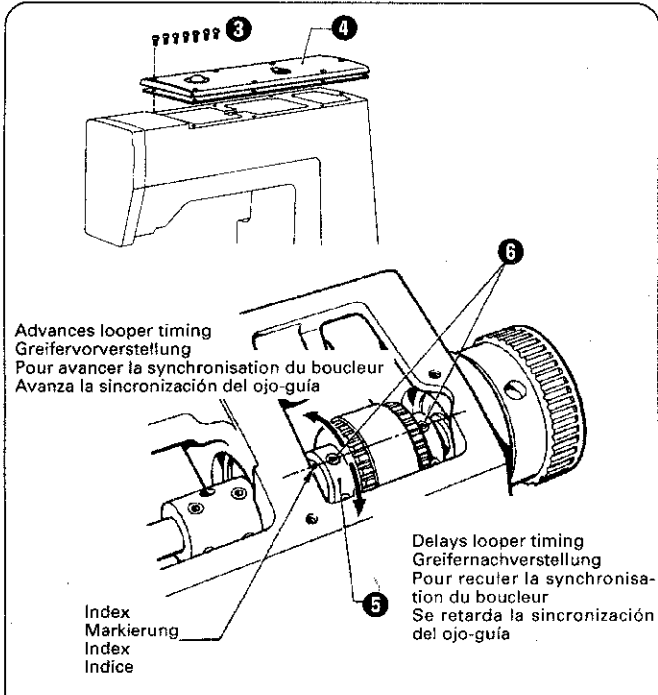
1. Entfernen Sie den Stoffdrückerfuß, die Stichplatte und den Transporteur, bzw. die Transporteure. (Siehe Seite 57 - 58.)
2. Drehen Sie das Handrad und kontrollieren Sie, ob der Greifer ① die Nadel ② bei der Vor- und Zurückbewegung an der genau gleichen Stelle kreuzt.
 * Falls die Kreuzungsstellen verschieden sind, müssen Sie wie folgt einstellen.

1. Déposer le pied presseur, la plaque à aiguille et la (les) griffe(s) d'entraînement. (Se reporter aux pages 57 - 58.)
2. Tourner la poulie de machine et vérifier que le boucleur ① croise bien l'aiguille ② exactement au même endroit pour le déplacement vers l'avant et vers l'arrière.

* Si les deux positions de croisement sont différentes, régler en effectuant la procédure suivante.

1. Desmontar el prensatelas, la placa de agujas y el(los) alimentador(es). (Consultar las páginas 57 - 58.)
2. Girar la polea de la máquina y verificar que el ojo-guía ① cruce la aguja ② en exactamente el mismo lugar durante el avance y la retracción.

* Si las posiciones de cruce son diferentes para cada uno, ajustar de acuerdo con el siguiente procedimiento.



<Adjustment procedure>

1. Loosen the seven screws ③, and then remove the upper cover ④.
2. Loosen the four set screws ⑥ of the timing pulley ⑤, and then turn the timing pulley ⑤ to adjust the timing.
 <Example>
 If the looper clearance (A) is too large during the advancement stage, turn the timing pulley ⑤ toward you.

<Einstellung>

1. Lösen Sie die sieben Schrauben ③ und nehmen Sie die obere Abdeckung ④ ab.
2. Lösen Sie die vier Schrauben ⑥ der Synchronscheibe ⑤, um die Synchronisierung durch Drehen der Synchronscheibe ⑤ einzustellen.
 <Beispiel>
 Falls der Greiferabstand (A) bei der Vorwärtsbewegung zu groß ist, müssen Sie die Synchronscheibe ⑤ gegen sich drehen.

<Procédure de réglage>

1. Desserrer les sept vis ③, puis retirer le couvercle supérieur ④.
2. Desserrer les quatre vis de fixation ⑥ de la poulie de synchronisation ⑤, puis tourner la poulie de synchronisation ⑤ pour régler la synchronisation.
 <Exemple>
 Si l'écart du boucleur (A) est trop grand lors du déplacement vers l'avant, tourner la poulie de synchronisation ⑤ vers soi.

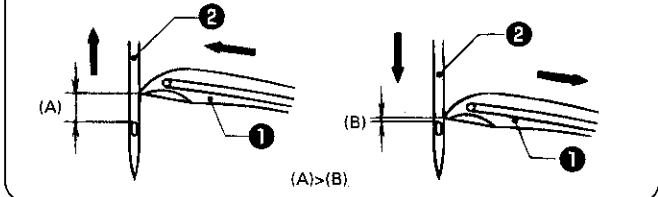
<Procedimiento de ajuste>

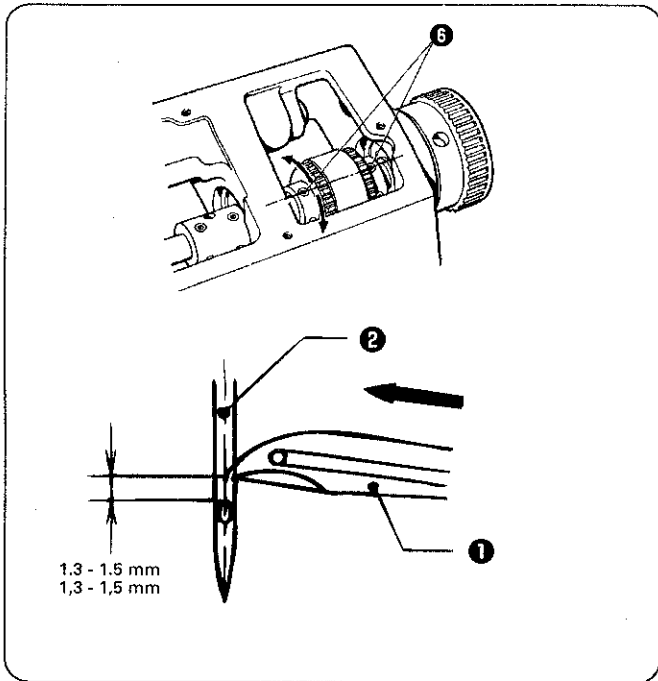
1. Aflojar los siete tornillos ③, y luego desmontar la cubierta superior ④.
2. Aflojar los cuatro tornillos de ajuste ⑥ de la polea de sincronización ⑤ para ajustar la sincronización.
 <Ejemplo>
 Si la separación del ojo-guía (A) es demasiado grande durante la etapa de avance, girar la polea de sincronización ⑤ hacia adelante.

(Example) (Exemple)
 (Beispiel) (Ejemplo)

Gap too large
 Zu großer Abstand
 Jeu trop important
 Espacio demasiado grande

Gap too small
 Zu kleiner Abstand
 Jeu trop petit
 Espacio demasiado pequeño





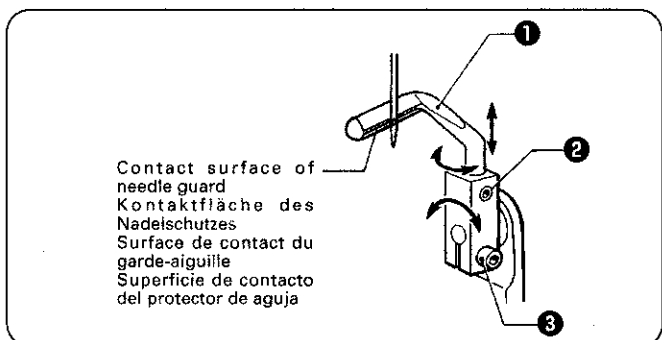
3. Securely tighten the four set screws ⑥.
4. Turn the machine pulley until the tip of the looper ① is aligned with the center of the needle ② during the advancement stage, and check that the distance from the tip of the looper ① to the top of the needle hole in the needle ② is 1.3 - 1.5 mm at this time.
 (The distance is the same for all model specifications and for all needles.)
 * If the distance is not as given above, repeat the adjustment while referring to "11-2-1. Adjusting the height of the needle bar", "11-2-2. Needle and looper positions" and "11-2-3. Adjusting the needle and looper timing".

3. Ziehen Sie die vier Schrauben ⑥ wieder fest.
4. Drehen Sie das Handrad, so daß die Greiferspitze ① bei der Vorwärtsbewegung auf die Nadelmittle ② ausgerichtet ist und kontrollieren Sie, ob der Abstand zwischen der Greiferspitze ① und der oberen Seite des Nadelöhrs ② 1,3 - 1,5 mm betrÑgt. (Dieser Abstand ist für alle Maschinenausführungen und Nadeln gleich.)
 * Falls der Abstand nicht wie obenstehend ist, müssen Sie die Einstellung unter Berücksichtigung von "11-2-1. Einstellung der Nadelstangenhöhe", "11-2-2. Nadel- und Greiferposition" und "11-2-3. Einstellen der Nadel- und Greifersynchronisation" nochmals vornehmen.

3. Bien resserrer les quatre vis de fixation ⑥.
4. Tourner la poulie de machine jusqu'à ce que la pointe du boucleur ① soit alignée avec le centre de l'aiguille ② pendant le déplacement vers l'avant, et vérifier que l'écart entre la pointe du boucleur ① et le haut du trou de l'aiguille ② soit alors de 1,3 - 1,5 mm.
 (L'écart est le même pour toutes les spécifications de modèle et pour toutes les aiguilles.)
 * Si l'écart est différent de celui indiqué ci-dessus, refaire le réglage en se reportant à la section "11-2-1. Réglage de la hauteur de la barre à aiguille", "11-2-2. Positions de l'aiguille et du boucleur" et "11-2-3. Réglage de la synchronisation de l'aiguille et du boucleur".

3. Apretar bien los cuatro tornillos de ajuste ⑥.
4. Girar la polea de la máquina hasta que la punta del ojo-guía ① esté alineada con el centro de la aguja ② durante la etapa de avance, y verificar que la distancia entre la punta del ojo-guía ① y la parte superior del orificio de aguja en la aguja ② en este momento sea 1,3 - 1,5 mm.
 (La distancia es la misma para todas las especificaciones y todas las agujas.)
 * Si la distancia no fuera como la especificada arriba, repetir el ajuste consultando la sección "11-2-1. Ajuste de la altura de la barra de agujas", "11-2-2. Posiciones de la aguja y el ojo-guía" y "11-2-3. Ajuste de la sincronización de la aguja y el ojo-guía".

11-2-4. Adjusting the rear needle guard
11-2-4. Einstellung des hinteren Nadelschutzes
11-2-4. Réglage du protège-aiguille arrière
11-2-4. Ajuste del protector trasero de agujas



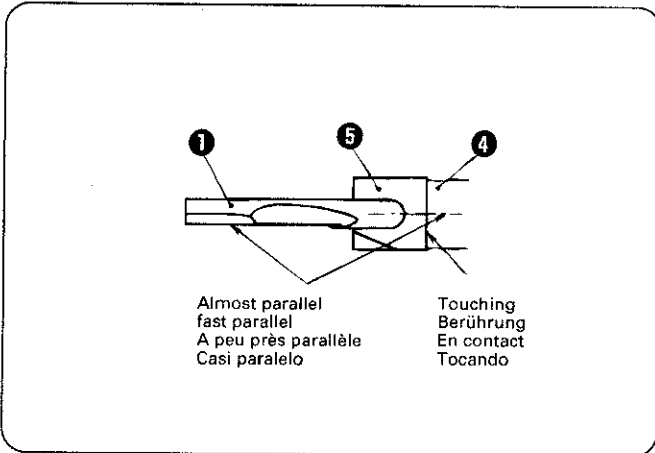
Adjustment of the height, forward/back position and tilt of the rear needle guard ① should be carried out after loosening the set screw ② and the bolt ③. (The adjustment method is the same for all model specifications.)

Für die Einstellung der Höhe, der Vor/Rückwärtsposition und der Neigung des hinteren Nadelschutzes ① muß die Schraube ② und die Schraube ③ gelöst werden. (Diese Einstellung ist für alle Maschinenausführungen gleich.)

Le réglage de la hauteur, de la position avant/arrière et de l'inclinaison du garde-aiguille arrière ① doit être effectué après qu'on ait desserré la vis de fixation ② et le boulon ③. (La méthode de réglage est la même pour toutes les spécifications de modèle.)

El ajuste de la altura, la posición hacia atrás/adelante y la inclinación del protector trasero de agujas ① se deben realizar después de aflojar el tornillo de sujeción ② y el perno ③. (El método de ajuste es el mismo para todas las especificaciones.)

11. STANDARD ADJUSTMENTS
11. STANDARDEINSTELLUNGEN
11. REGLAGES STANDARD
11. AJUSTES ESTANDARES



1. Remove the presser foot, needle plate and feed dog(s). (Refer to pages 57 - 58.)

2. Adjust the rear needle guard ① so that the contact surface is almost parallel with the center line on the rear needle guard shaft ④.

Furthermore, install the rear needle guard ① so that the right side of the rear needle guard mounting base ⑤ is touching the stepped part of the rear needle guard shaft ④.

1. Entfernen Sie den Stoffdrückerfuß, die Stichplatte und den Transporteur, bzw. die Transporteure. (Siehe Seite 57 - 58.)

2. Stellen Sie den hinteren Nadelschutz ① so ein, daß die Kontaktfläche fast parallel auf die Mittellinie der Nadelschutzachse ④ ausgerichtet ist.

Bringen Sie den hinteren Nadelschutz ① so an, daß die rechte Seite der Nadelschutzbasis ⑤ den gestuften Teil der Nadelschutzachse ④ berührt.

1. Déposer le pied presseur, la plaque à aiguille et la (les) griff(e)s d'entraînement. (Se reporter aux pages 57 - 58.)

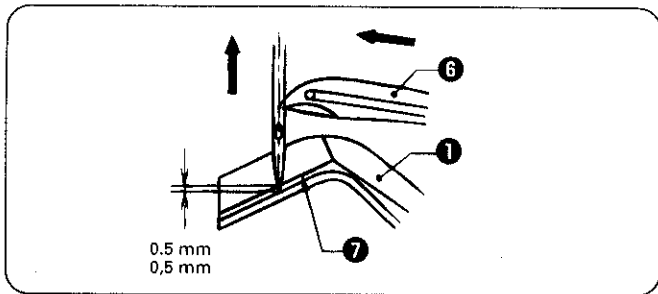
2. Régler le protège-aiguille arrière ① de manière que la surface de contact soit à peu près parallèle à la ligne médiane de l'arbre ④ du protège-aiguille arrière.

En outre, installer le protège-aiguille arrière ① de manière que le côté droit de la base ⑤ de montage du protège-aiguille arrière touche la partie en échelons de l'arbre ④ du protège-aiguille arrière.

1. Desmontar el prensatelas, la placa de agujas y el(los) alimentador(es). (Consultar las páginas 57 - 58.)

2. Ajustar el protector trasero de agujas ① de manera que la superficie de contacto se encuentre paralela a la línea central en el eje del protector trasero de agujas ④.

Además, instalar el protector trasero de agujas ① de manera que el lado derecho de la base de montaje del protector trasero de agujas ⑤ esté tocando la parte escalonada del eje del protector trasero de agujas ④.

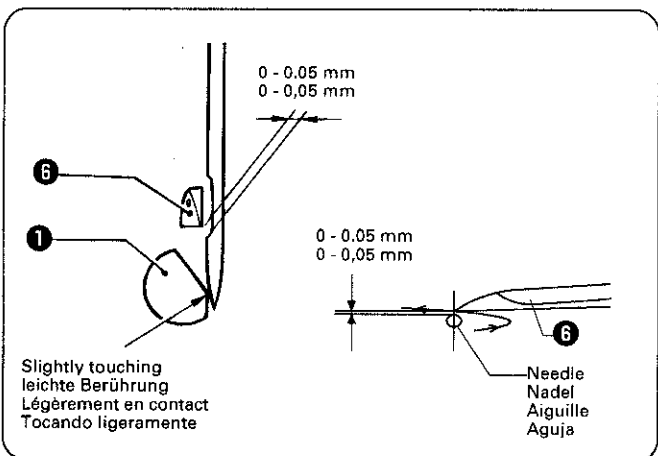


3. Turn the machine pulley to move the looper ⑥ from right to left until the tip of the looper ⑥ reaches the center of the needle, and then adjust so that the tip of the needle projects 0.5 mm below the upper bevel line ⑦ on the contact surface of the rear needle guard ① at this time.

3. Drehen Sie das Handrad, um den Greifer ⑥ von rechts nach links zu stellen, so daß der Greifer ⑥ die Nadelmitte erreicht und machen Sie die Einstellung, daß die Nadelspitze 0,5 mm unter der oberen Konuslinie ⑦ der Kontaktfläche mit dem hinteren Nadelschutz ① steht.

3. Tourner la poulie de machine pour déplacer le boucleur ⑥ de droite à gauche jusqu'à ce que l'extrémité du boucleur ⑥ atteigne le centre de l'aiguille, puis régler de manière que la pointe de l'aiguille dépasse alors de 0,5 mm sous la ligne ⑦ du cône supérieur à la surface de contact du protège-aiguille arrière ①.

3. Girar la polea de la máquina para mover el ojo-guía ⑥ desde la derecha hacia la izquierda hasta que la punta del ojo-guía ⑥ llegue al centro de la aguja, y luego ajustarlo de manera que la punta de la aguja se proyecte 0,5 mm debajo de la línea biselada superior ⑦ en la superficie de contacto del protector trasero de agujas ①.



4. In the condition explained in step 2. with the clearance between the tip of the looper ⑥ and the needle kept at 0 - 0.05 mm (refer to page 62), adjust so that the rear needle guard ① and the needle touch slightly.

4. Im Zustand des Schrittes 2 mit einem Abstand zwischen der Greiferspitze ⑥ und der Nadel von 0 - 0,05 mm (siehe Seite 62) einstellen, daß sich der hintere Nadelschutz ① und die Nadel leicht berühren.

4. A l'état décrit à l'étape 2 avec l'écart entre la pointe du boucleur ⑥ et l'aiguille fixé à 0 - 0,05 mm (Se reporter à la page 62.), régler de manière que le garde-aiguille arrière ① et l'aiguille entrent légèrement en contact.

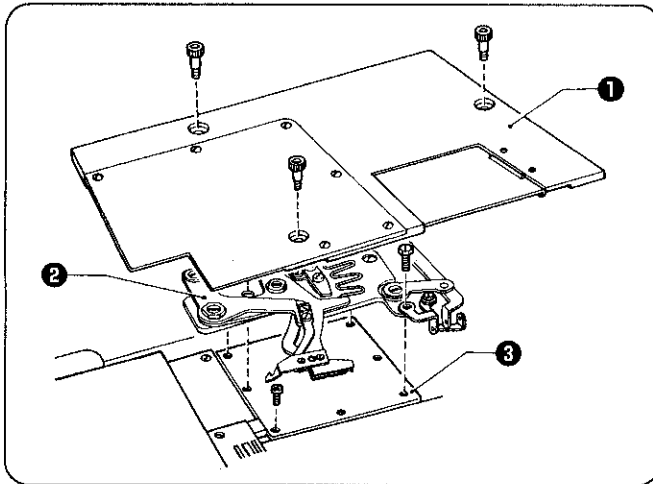
4. En la condición explicada en el paso 2. manteniendo la separación entre la punta del ojo-guía ⑥ y la aguja entre 0 - 0,05 mm (consultar la página 62), ajustar de manera que el protector trasero de agujas ① y la aguja se toquen ligeramente.

11-2-5. Needle and rear needle guard timing

11-2-5. Synchronisation zwischen Nadel und hinterem Nadelschutz

11-2-5. Synchronisation de l'aiguille et du protège-aiguille arrière

11-2-5. Sincronización del protector trasero de agujas y la aguja

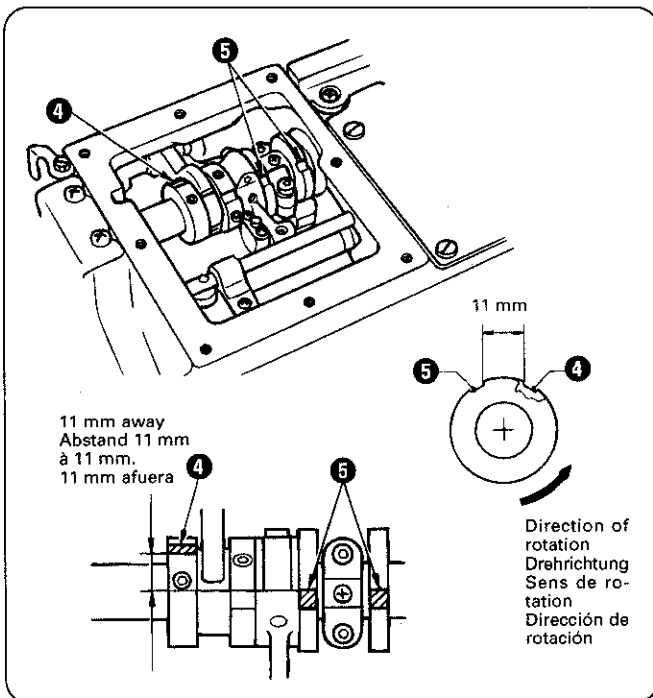


1. Remove cloth plate R **1**, the thread trimming unit **2** and the bed upper cover **3**. (Refer to page 59.)

1. Entfernen Sie die Stoffplatte R **1**, die Fadenabschneidereinheit **2** und die obere Abdeckung **3**. (Siehe Seite 59.)

1. Retirer la plaque à tissu R **1**, l'unité de coupe-fils **2** et le couvercle supérieur **3** de plateau. (Se reporter à la page 59.)

1. Desmontar la placa de tela R **1**, el cortahilos **2** y la cubierta superior de la cama **3**. (Consultar la página 59.)



2. The standard timing of the rear needle guard with respect to the vertical movement of the needle bar should be such that the notch **4** in the rear needle guard cam is 11 mm away from the notches **5** in the looper crankshaft.

3. Install the bed upper cover **3**, the thread trimming unit **2** and cloth plate R **1**. (Refer to page 59.)

* However, after installing the thread trimming unit **2**, carry out the adjustments in "11-3-5. Adjusting the lower knife and looper positions", "11-3-6. Adjusting the lower knife and needle positions" and "11-3-7. Adjusting the upper knife stopper".

2. Bei der Standardsynchronisation des hinteren Nadelschutzes gegen die Vertikalbewegung der Nadelstange sollte sich die Kerbe **4** des hinteren Nadelschutzes 11 mm von den Kerben **5** in der Greiferachse befinden.

3. Bauen Sie die obere Abdeckung **3**, die Fadenabschneidereinheit **2** und die Stoffplatte R **1** wieder an. (Siehe Seite 59.)

* Beim Einbau der Fadenabschneidereinheit müssen Sie die in den Abschnitten "11-3-5. Einstellen der unteren Messer- und der Greiferposition", "11-3-6. Einstellen der unteren Messer- und der Nadelposition" und "11-3-7. Einstellen des Obermesseranschlages" beschriebenen Einstellungen ausführen.

2. La synchronisation normale entre le protège-aiguille arrière et le mouvement vertical de la barre à aiguille doit être réglée de manière que l'encoche **4** de la came du protège-aiguille arrière soit située à 11 mm des encoches **5** du vilebrequin de boucleur.

3. Installer le couvercle supérieur **3** de plateau, l'unité de coupe-fils **2** et la plaque à tissu R **1**. (Se reporter à la page 59.)

* Toutefois, après avoir installé l'unité de coupe-fils **2**, effectuer les réglages décrits aux sections "11-3-5. Réglage des positions du couteau inférieur et du boucleur", "11-3-6. Réglage des positions du couteau inférieur et de l'aiguille" et "11-3-7. Réglage de la butée du couteau supérieur".

2. La sincronización estándar del protector trasero de agujas con respecto al movimiento vertical de la barra de agujas debe ser tal que la muesca **4** en la parte de atrás de la leva del protector trasero de agujas se encuentre 11 mm afuera de las muescas **5** en el cigüeñal del ojo-guía.

3. Instalar la cubierta superior de la cama **3**, el cortahilos **2** y la placa de tela R **1**. (Consultar la página 59.)

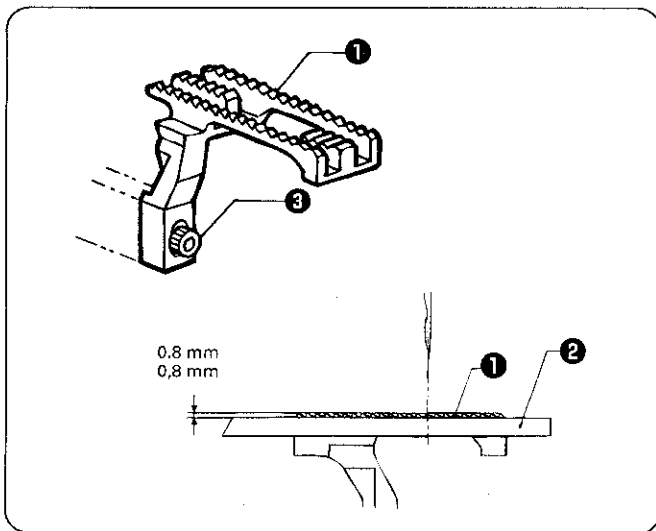
* Sin embargo, después de instalar el cortahilos **2**, realizar los ajustes en la sección "11-3-5. Ajuste de las posiciones de la cuchilla inferior y el ojo-guía", "11-3-6. Ajuste de las posiciones de la cuchilla inferior y la aguja" y "11-3-7. Ajuste del tope de la cuchilla superior".

11-2-6. Adjusting the feed dog height

11-2-6. Einstellen der Transporteurhöhe

11-2-6. Réglage de la hauteur de la griffe d'entraînement

11-2-6. Ajuste de la altura del alimentador



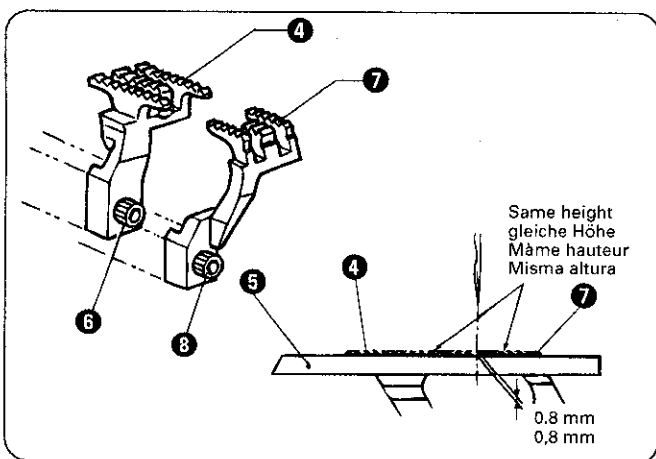
[012-0]

1. Remove the presser foot. (Refer to page 57.)
2. Turn the machine pulley to raise the feed dog ① to its highest position.
3. Loosen the bolt ③, and then move the feed dog ① up and down to adjust so that the height of the feed dog ① above the top of the needle plate ② is 0.8 mm near the point where the needle drops.
4. Tighten the bolt ③.

1. Entfernen Sie den Stoffdrückerfuß. (Siehe Seite 57.)
2. Stellen Sie durch Drehen des Handrads den Transporteur ① in die höchste Position.
3. Lösen Sie die Schraube ③ und stellen Sie die Höhe des Transporteurs ① überhalb der Stichplatte ② in der Nähe der Einstichposition auf 0,8 mm ein.
4. Ziehen Sie die Schraube ③ fest.

1. Déposer le pied presseur. (Se reporter à la page 57.)
2. Tourner la poulie de machine de manière à élever la griffe d'entraînement ① jusqu'à sa position la plus haute.
3. Desserrer le boulon ③, puis déplacer la griffe d'entraînement ① vers le haut et vers le bas pour régler de manière que la hauteur de la griffe d'entraînement ① au-dessus de la plaque à aiguille ② soit à 0,8 mm du point de chute de l'aiguille.
4. Resserrer le boulon ③.

1. Desmontar el prensatelas. (Consultar la página 57.)
2. Girar la polea de la máquina para levantar el alimentador ① a su posición más alta.
3. Aflojar el perno ③, y luego mover el alimentador ① hacia arriba y abajo para ajustarlo de manera que la altura del alimentador ① encima de la parte superior de la placa de agujas ② se encuentre 0,8 mm más cerca del punto donde baja la aguja.
4. Apretar el perno ③.



[0D2-0]

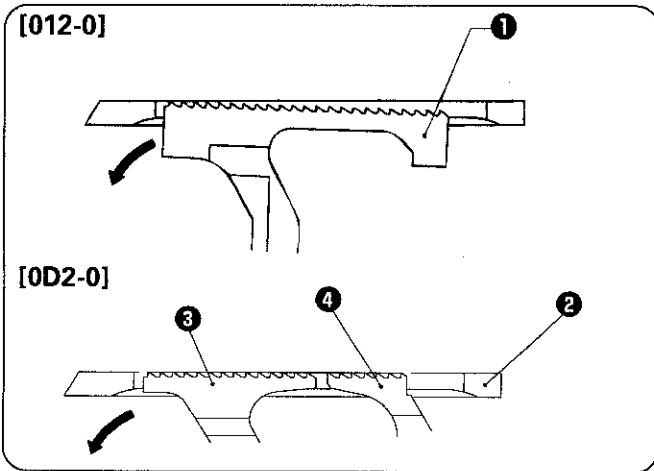
1. Remove the presser foot. (Refer to page 57.)
2. Turn the machine pulley to raise the main feed dog ④ to its highest position.
3. Loosen the bolt ⑥, and then move the main feed dog ④ up and down to adjust so that the height of the main feed dog ④ above the top of the needle plate ⑤ is 0.8 mm near the point where the needle drops.
4. Tighten the bolt ⑥.
5. Loosen the bolt ⑧, and then adjust the height of the differential feed dog ⑦ so that the top of the differential feed dog ⑦ is at the same height as the top of the main feed dog ④.
6. Tighten the bolt ⑧.

1. Entfernen Sie den Stoffdrückerfuß. (Siehe Seite 57.)
2. Stellen Sie durch Drehen des Handrads den Haupttransporteur ④ in die höchste Position.
3. Lösen Sie die Schraube ⑥ und stellen Sie die Höhe des Haupttransporteurs ④ überhalb der Stichplatte ⑤ in der Nähe der Einstichposition auf 0,8 mm ein.
4. Ziehen Sie die Schraube ⑥ fest.
5. Lösen Sie die Schraube ⑧ und stellen Sie die Höhe des Differentialtransporteurs ⑦ so ein, daß die Oberseite des Differentialtransporteurs ⑦ und die Oberseite des Hauttransporteurs ④ gleich ist.
6. Ziehen Sie die Schraube ⑧ fest.

1. Déposer le pied presseur. (Se reporter à la page 57.)
2. Tourner la poulie de machine de manière à élever la griffe d'entraînement principale ④ jusqu'à sa position la plus haute.
3. Desserrer le boulon ④, puis déplacer la griffe d'entraînement principale ④ vers le haut et vers le bas pour régler de manière que la hauteur de la griffe d'entraînement principale ④ au-dessus de la plaque à aiguille ⑤ soit à 0,8 mm du point de chute de l'aiguille.
4. Resserrer le boulon ⑥.
5. Desserrer le boulon ⑧, puis régler la hauteur de la griffe d'entraînement différentiel ⑦ de manière que le haut de la griffe d'entraînement différentiel ⑦ soit à la même hauteur que le haut de la griffe d'entraînement principale ④.
6. Resserrer le boulon ⑧.

1. Desmontar el prensatelas. (Consultar la página 57.)
2. Girar la polea de la máquina para levantar el alimentador principal ④ a su posición de más alta.
3. Aflojar el perno ⑥, y luego mover el alimentador principal ④ hacia arriba y abajo para ajustarlo de manera que la altura del alimentador principal ④ encima de la parte superior de la placa de agujas ⑤ sea 0,8 mm próximo al punto de bajada de la aguja.
4. Apretar el perno ⑥.
5. Aflojar el perno ⑧, y luego ajustar la altura del alimentador diferencial ⑦ de manera que la parte superior del alimentador diferencial ⑦ se encuentre a la misma altura que la parte superior del alimentador principal ④.
6. Apretar el perno ⑧.

11-2-7. Adjusting the feed dog angle
 11-2-7. Einstellen des Transporteurneigung
 11-2-7. Réglage de l'angle de la griffe d'entraînement
 11-2-7. Ajustar el ángulo del alimentador



[012-0]

Adjust the angle of the feed dog ① so that it is sloping down at the front as much as possible.

Stellen Sie den Transporteur ① so weit wie möglich nach vorne geneigt ein.

Régler l'angle de la griffe d'entraînement ① de manière qu'il soit incliné le plus possible vers l'avant.

Ajustar el ángulo del alimentador ① de manera que se deslice hacia abajo lo máximo posible en la parte delantera.

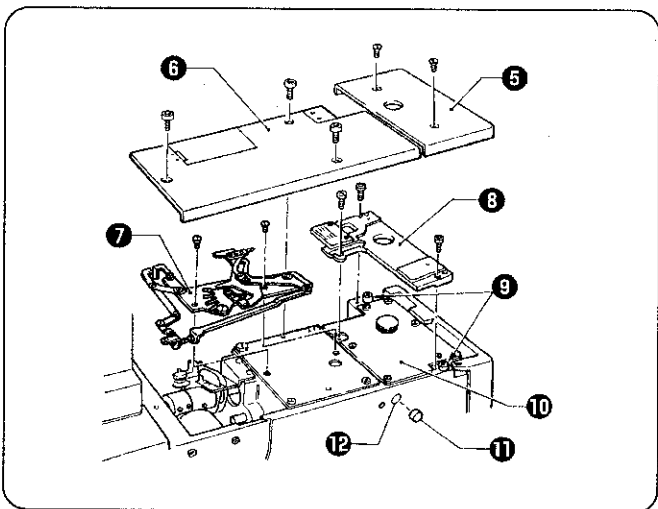
[0D2-0]

Adjust so that the top of the needle plate ②, the top of the main feed dog ③ and the top of the differential feed dog ④ are in a straight line.

Stellen Sie die Oberseite der Stichplatte ②, die Oberseite des Haupttransporteurs ③ und die Oberseite des Differentialtransporteurs ④ auf eine gerade Linie ein.

Régler de manière que le haut de la plaque à aiguille ②, le haut de la griffe d'entraînement principale ③ et le haut de la griffe d'entraînement différentiel ④ soient alignés.

Ajustar de manera que la parte superior de la placa de agujas ②, la parte superior del alimentador principal ③ y la parte superior del alimentador diferencial ④ se encuentren alineados.

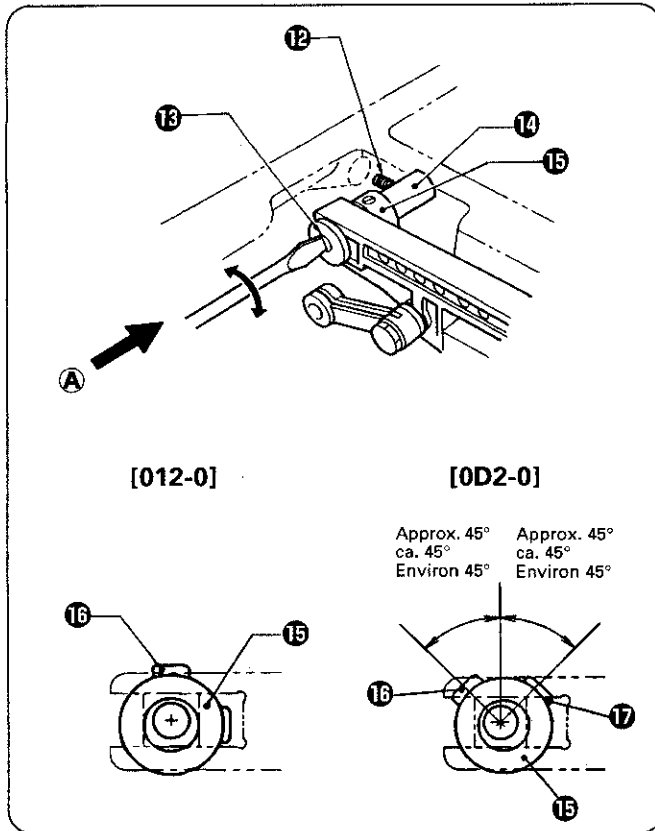


1. Remove the presser foot. (Refer to page 57.)
2. Remove cloth plate L ⑤.
3. Remove cloth plate R ⑥ and the thread trimming unit ⑦. (Refer to page 59.)
4. Remove the needle plate supporting plate ⑧. (Do not loosen the screws ⑨ of the needle plate supporting plate collar.)
5. Remove the feed mechanism cover ⑩.
6. Remove the rubber plug ⑪.

1. Entfernen Sie den Stoffdrückerfuß. (Siehe Seite 57.)
2. Entfernen Sie die Stoffplatte L ⑤.
3. Entfernen Sie die Stoffplatte R ⑥ und die Fadenabschneidereinheit ⑦. (Siehe Seite 59.)
4. Entfernen Sie die Stichplattenstützplatte ⑧. (Verlieren Sie die Schrauben ⑨ der Stichplattenstützplattenmuffe nicht.)
5. Entfernen Sie die Abdeckung ⑩.
6. Entfernen Sie den Gummistopfen ⑪.

1. Déposer le pied presseur. (Se reporter à la page 57.)
2. Retirer la plaque à tissu L ⑤.
3. Retirer la plaque à tissu R ⑥ et l'unité de coupe-fils ⑦. (Se reporter à la page 59.)
4. Déposer la plaque de support ⑧ de plaque à aiguille. (Ne pas desserrer les vis ⑨ du collier de la plaque de support de plaque à aiguille.)
5. Déposer le couvercle du dispositif d'entraînement ⑩.
6. Retirer le bouchon en caoutchouc ⑪.

1. Desmontar el prensatelas. (Consultar la página 57.)
2. Desmontar la placa de tela L ⑤.
3. Desmontar la placa de tela R ⑥ y el cortahilos ⑦. (Consultar la página 59.)
4. Desmontar la placa de soporte de la placa de agujas ⑧. (No aflojar el tornillo ⑨ del cuello de la placa de soporte de la placa de agujas.)
5. Desmontar la cubierta del mecanismo de alimentación ⑩.
6. Desmontar el tapón de caucho ⑪.



7. Loosen the set screw 12.
8. Adjust by using a screwdriver to turn the countersunk screw 13 in order to turn the feed bar slide block shaft 14. (For 0D2-0 specifications, adjust while turning the machine pulley to check the angle of the feed dogs.)

CAUTION: Be careful not to let the feed bar slide block shaft 14 move sideways when turning the countersunk screw 13.

NOTE: In order to obtain the standard amount of tilt for the feed dog(s), the position of the feed bar slide block shaft 14 (set collar 15) should be as shown in the illustration at left when seen from direction A.

[012-0]

Adjust so that the set screw 16 of the set collar 15 is facing directly upward.

[0D2-0]

Adjust so that the set screws 16 and 17 of the set collar 15 are at equal angles from the perpendicular.

9. Tighten the set screw 12.
10. Install the rubber plug 11, the feed mechanism cover 10, the needle plate supporting plate 8.
11. Install the thread trimming unit 7. (Refer to page 59.)
12. Install cloth plate R 6 and cloth plate L 5.
13. Check the height of the feed dog(s) once more. (Refer to page 67.)

7. Lösen Sie die Schraube 12.

8. Drehen Sie zum Einstellen die versenkte Schraube 13 mit einem Schraubenzieher, um den Transportreglerachse 14 zu drehen. (Für die Ausführung 0D2-0 muß beim Einstellen das Handrad zum Kontrollieren der Transporteurneigung gedreht werden.)

VORSICHT: Beim Drehen der versenkten Schraube 13 darf sich die Transportreglerachse 14 nicht seitwärts bewegen.
 HINWEIS: Um die Standardneigung des Transporteurs bzw. der Transporteure einzustellen, muß sich die Transportreglerachse 14 (Einstellmuffe 15) wie in der, in der linksstehenden Abbildung gezeigten Position befinden, wenn von der Richtung A gesehen.

[012-0]

Stellen Sie so ein, daß die Schraube 16 der Einstellmuffe 15 direkt nach oben gerichtet ist.

[0D2-0]

Stellen Sie so ein, daß die Schrauben 16 und 17 der Einstellmuffe 15 sich in gleichen Winkeln zur Senkrechten befinden.

9. Ziehen Sie die Schraube 12 fest.
10. Bringen Sie den Gummistopfen 11, die Abdeckung 10, die Stichplattenstützplatte 8.
11. Bauen Sie die Fadenabschneidereinheit 7 ein. (Siehe Seite 59.)
12. Bauen Sie die Stoffplatte R 6 und die Stoffplatte L 5 wieder ein.
13. Überprüfen Sie die Höhe des Transporteurs, bzw. der Transporteure nochmals. (Siehe Seite 67.)

7. Desserrer la vis de fixation 12.

8. Régler à l'aide d'un tournevis pour tourner la vis fraisée 13 de manière à tourner l'arbre 14 du bloc de régulateur d'entraînement. (Pour les spécifications 0D2-0, régler tout en tournant la poulie de machine pour vérifier l'angle des griffes d'entraînement.)

ATTENTION: Veiller à ce que l'arbre 14 du bloc de régulateur d'entraînement ne se déplace pas latéralement lorsqu'on tourne la vis fraisée 13.

REMARQUE: Afin d'obtenir la quantité normale d'inclinaison pour la (les) griffe(s) d'entraînement, la position de l'arbre 14 du bloc du régulateur d'entraînement (collier de fixation 15) doit être comme indiqué sur l'illustration ci-contre à gauche lorsqu'on regarde de la direction A.

[012-0]

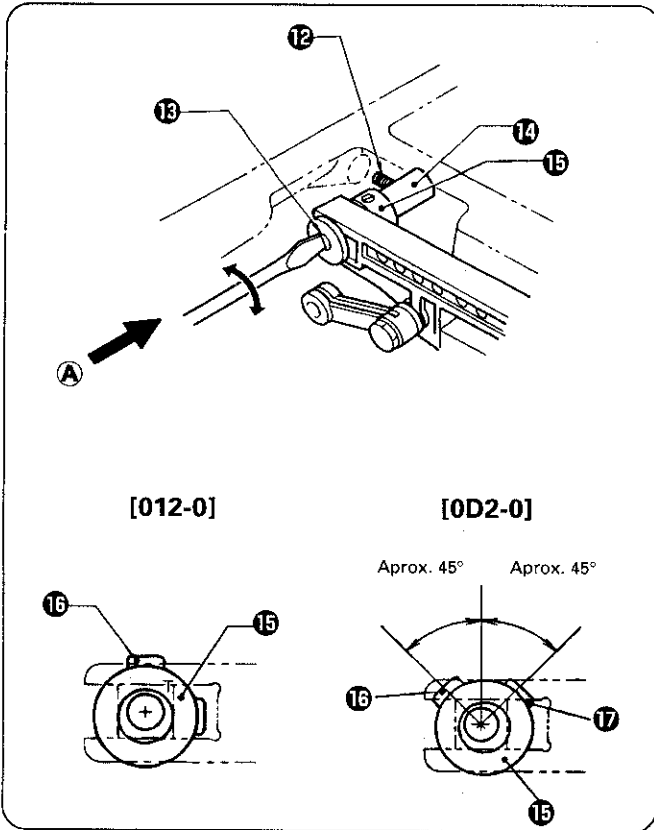
Régler de manière que la vis de fixation 16 du collier de fixation 15 soit orienté droit vers le haut.

[0D2-0]

Régler de manière que les vis de fixation 16 et 17 du collier de fixation 15 soient à des angles égaux par rapport à la perpendiculaire.

9. Resserrer la vis de fixation 12.
10. Installer le bouchon en caoutchouc 11, le couvercle du dispositif d'entraînement 10, la plaque 8 de support de la plaque à aiguille.
11. Installer l'unité de coupe-fils 7. (Se reporter à la page 59.)
12. Installer la plaque à tissu R 6 et la plaque à tissu L 5.
13. Vérifier à nouveau la hauteur de la (des) griffe(s) d'entraînement. (Se reporter à la page 67.)

11. STANDARD ADJUSTMENTS
11. STANDARD EINSTELLUNGEN
11. REGLAGES STANDARD
11. AJUSTES ESTANDARES



7. Aflojar el tornillo de sujeción 12.
8. Ajustar usando un destornillador para girar el tornillo de avellanado 13 de manera de girar el eje de bloqueo del regulador de alimentación 14. (Para las especificaciones 0D2-0, ajustar girando la polea de la máquina para verificar el ángulo de los alimentadores.)

PRECAUCIÓN: Tener cuidado de no dejar que el eje de bloqueo del regulador de alimentación 14 se mueva hacia los lados al girar el tornillo avellanado 13.

NOTA: Para obtener la cantidad estándar de inclinación para el(los) alimentador(es), la posición del eje de bloqueo del regulador de alimentación 14 (ajustar el cuello 15) debe ser tal como se indica en la figura a la izquierda cuando se mira desde la dirección A.

[012-0]

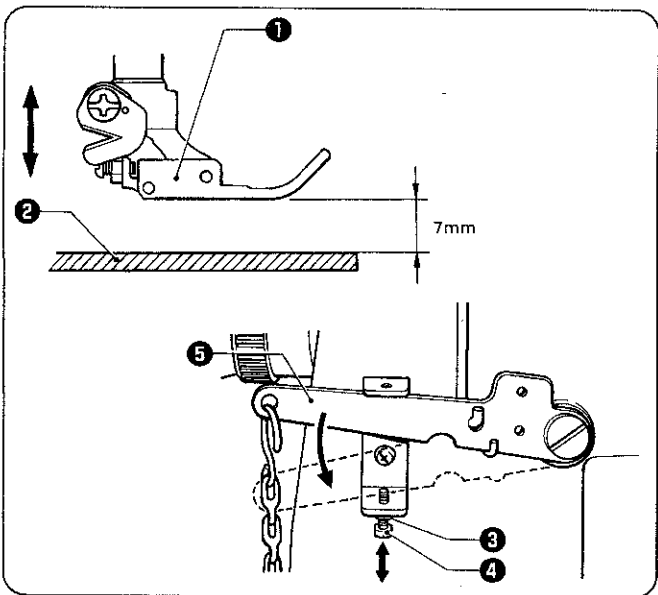
Ajustar de manera que el tornillo de sujeción 15 del cuello 15 esté directamente hacia arriba.

[0D2-0]

Ajustar de manera que los tornillos de sujeción 16 y 17 del cuello 15 estén a ángulos iguales de la perpendicular.

9. Apretar el tornillo de sujeción 12.
10. Instalar el tapón de caucho 11, la cubierta del mecanismo de alimentación 10, la placa de soporte de la placa de agujas 8.
11. Instalar el cortahilos 7. (Consultar la página 59.)
12. Instalar la placa de tela R 6 y la placa de tela L 5.
13. Verificar otra vez la altura del(los) alimentador(es). (Consultar la página 67.)

11-2-8. Adjusting the presser foot height
11-2-8. Einstellen der Stoffdrückerfußhöhe
11-2-8. Réglage de la hauteur du pied presseur
11-2-8. Ajuste de la altura del prensatelas



Adjust the height of the presser foot 1 so that the distance from the bottom of the presser foot 1 to the top of the needle plate 2 is 7 mm when the presser lifter pedal is depressed and the presser foot 1 is raised.

1. Loosen the nut 3. Then turn the bolt 4 to adjust the stopping position of the presser bar lifter lever 5.
2. Tighten the nut 3.

Stellen Sie die Höhe des Stoffdrückerfußes 1 so ein, daß der Abstand von der unteren Seite des Stoffdrückerfußes 1 zur oberen Seite der Stichplatte 2 7 mm beträgt, wenn das Stoffdrückerfußheberpedal zum Anheben des Stoffdrückerfußes 1 gedrückt wird.

1. Lösen Sie die Mutter 3 und drehen Sie die Schraube 4 zum Einstellen der Anschlagposition des Stoffdrückerfußhebels 5.
2. Ziehen Sie die Mutter 3 fest.

Régler la hauteur du pied presseur 1 de manière que l'écart entre le bas du pied presseur 1 et le haut de la plaque à aiguille 2 soit de 7 mm lorsque la pédale du releveur de pied presseur est enfoncée et que le pied presseur 1 est relevé.

1. Desserrer l'écrou 3. Ensuite, tourner le boulon 4 pour régler la position d'arrêt du levier 5 du releveur de pied presseur.
2. Resserrer l'écrou 3.

Ajustar la altura del prensatelas 1 de manera que la distancia desde la parte inferior del prensatelas 1 a la parte superior de la placa de agujas 2 sea 7 mm cuando se pisa el pedal del levantador del prensatelas y el prensatelas 1 está levantado.

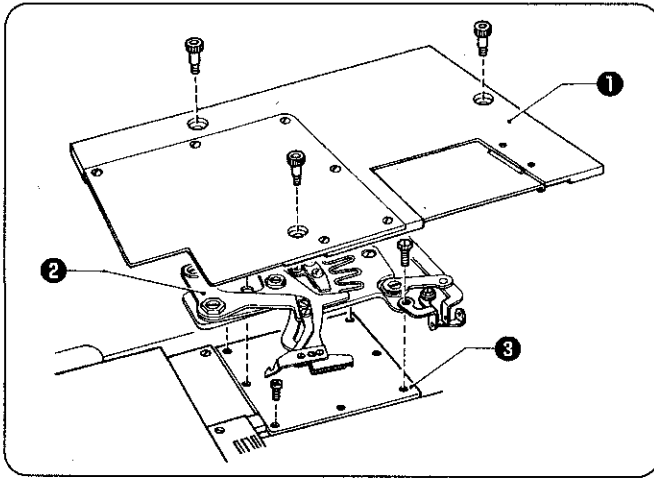
1. Aflojar la tuerca 3. Luego girar el perno 4 para ajustar la posición de parada de la palanca del levantador de la barra del prensatelas 5.
2. Apretar la tuerca 3.

11-2-9. Needle and looper forward/back movement timing

11-2-9. Synchronisation zwischen Nadel und Greifer in Vor/Rückwärtsrichtung

11-2-9. Synchronisation du mouvement avant/arrière de l'aiguille et du boucleur

11-2-9. Sincronización del movimiento hacia adelante/atrás de la aguja y el ojo-guía

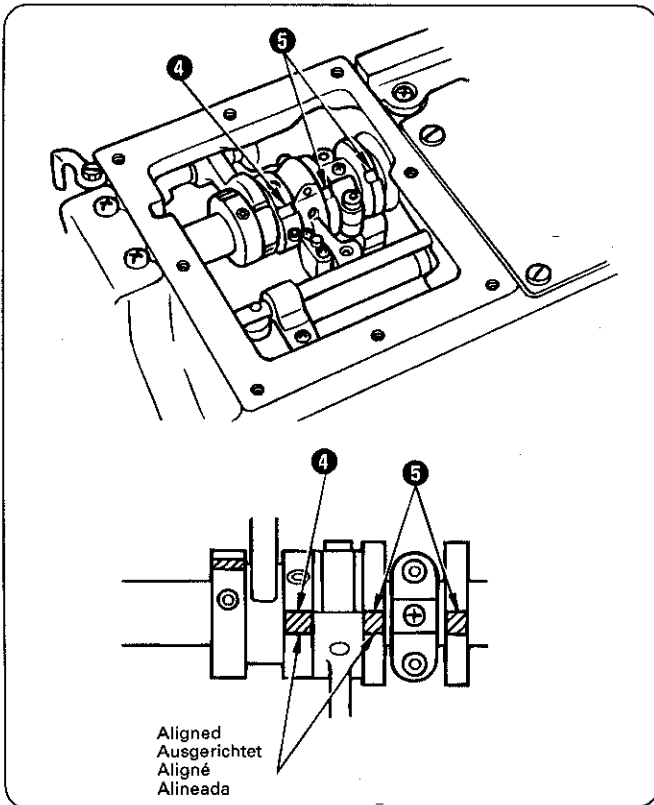


1. Remove cloth plate R **1**, the thread trimming unit **2** and the bed upper cover **3**. (Refer to page 59.)

1. Entfernen Sie die Stoffplatte R **1**, die Fadenabschneidereinheit **2** und die obere Abdeckung **3**. (Siehe Seite 59.)

1. Retirer la plaque à tissu R **1**, l'unité de coupe-fils **2** et le couvercle supérieur **3** de plateau. (Se reporter à la page 59.)

1. Desmontar la placa de tela R **1**, el cortahilos **2** y la cubierta superior de la cama **3**. (Consultar la página 59.)



2. The standard timing for the forward/back movement of the looper with respect to the vertical movement of the needle bar should be such that the notch **4** in the looper longitudinal eccentric cam is aligned with the notches **5** in the looper crankshaft.

3. Install the bed upper cover **3**, the thread trimming unit **2** and cloth plate R **1**. (Refer to page 59.)

* However, after installing the thread trimming unit **2**, carry out the adjustments in "11-3-5. Adjusting the lower knife and looper positions", "11-3-6. Adjusting the lower knife and needle positions" and "11-3-7. Adjusting the upper knife stopper".

2. Für die Standardsynchronisation der Vor/Rückwärtsbewegung des Greifers in Bezug auf die Vertikalbewegung der Nadelstange sollte die Kerbe **4** des exzentrischen Greiferlängsnockens auf die Kerben **5** der Greiferachse ausgerichtet sein.

3. Bauen Sie die obere Abdeckung **3**, die Fadenabschneidereinheit **2** und die Stoffplatte R **1** wieder an. (Siehe Seite 59.)

* Beim Einbau der Fadenabschneidereinheit **2** müssen Sie die in den Abschnitten "11-3-5. Einstellen der unteren Messer- und der Greiferposition", "11-3-6. Einstellen der unteren Messer- und der Nadelposition" und "11-3-7. Einstellen des Obermesseranschlages" beschriebenen Einstellungen ausführen.

2. La synchronisation normale du mouvement avant/arrière du boucleur par rapport au mouvement vertical de la barre à aiguille doit être réglée de manière que l'encoche **4** de la came excentrée longitudinale du boucleur alignée avec les encoches **5** du vilebrequin de boucleur.

3. Installer le couvercle supérieur **3** de plateau, l'unité de coupe-fils **2** et la plaque à tissu R **1**. (Se reporter à la page 59.)

* Toutefois, après avoir installé l'unité de coupe-fils **2**, effectuer les réglages décrits aux sections "11-3-5. Réglage des positions du couteau inférieur et du boucleur", "11-3-6. Réglage des positions du couteau inférieur et de l'aiguille" et "11-3-7. Réglage de la butée du couteau supérieur".

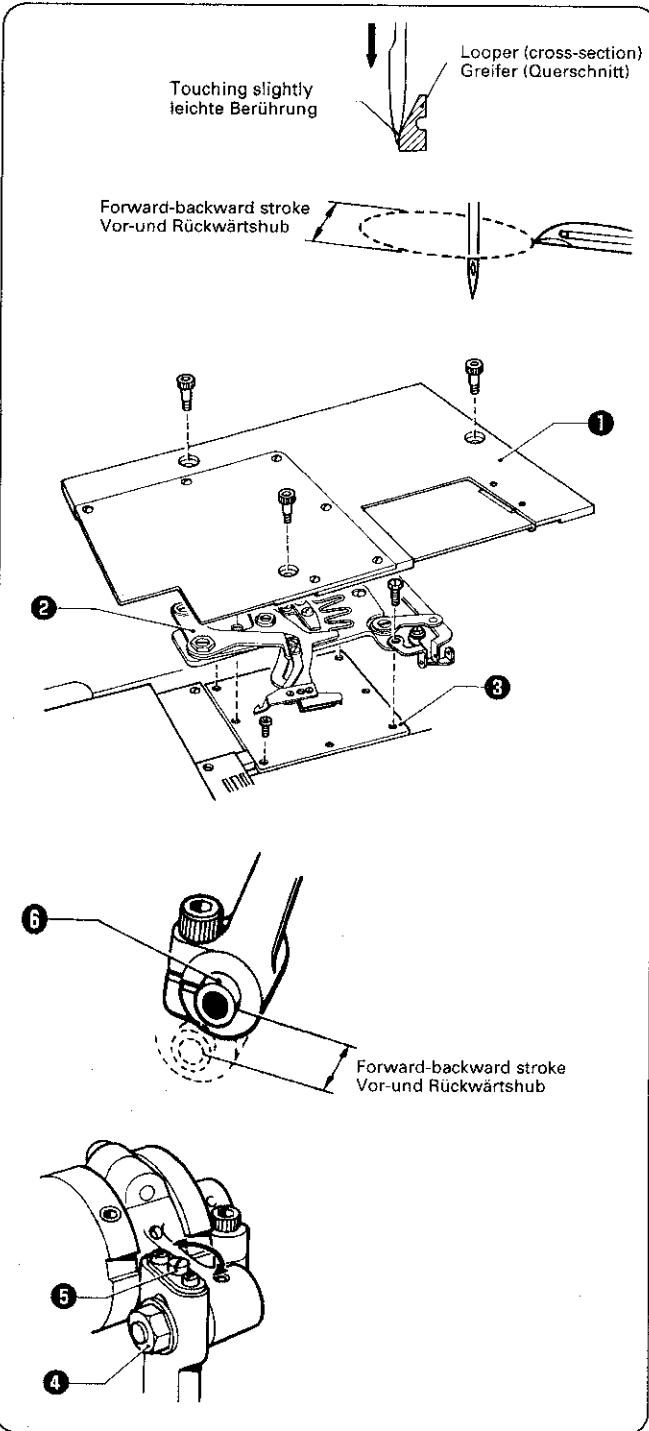
2. La sincronización estándar del movimiento hacia adelante/atrás del ojo-guía con respecto al movimiento vertical de la barra de agujas debe ser tal que la muesca **4** en la leva excéntrica longitudinal del ojo-guía esté alineada con las muescas **5** en el cigüeñal del ojo-guía.

3. Instalar la cubierta superior de la cama **3**, el cortahilos **2** y la placa de tela R **1**. (Consultar la página 59.)

* Sin embargo, después de instalar el cortahilos **2**, realizar los ajustes en la sección "11-3-5. Ajuste de las posiciones de la cuchilla inferior y el ojo-guía", "11-3-6. Ajuste de las posiciones de la cuchilla inferior y la aguja" y "11-3-7. Ajuste del tope de la cuchilla superior".

11. STANDARD ADJUSTMENTS
 11. STANDARDEINSTELLUNGEN
 11. REGLAGES STANDARD
 11. AJUSTES ESTANDARES

11-2-10. Adjusting the forward-backward stroke of the looper
 11-2-10. Einstellen des Vor/Rückwärtshubs des Greifers



- The advance and retract looper stroke need only be adjusted when the size of the needle is changed significantly.
- While keeping the clearance between the needle and the looper at 0 - 0.05 mm (refer to page 62), adjust the forward-backward stroke so that the needle and the looper are touching slightly when the needle has dropped behind the looper.

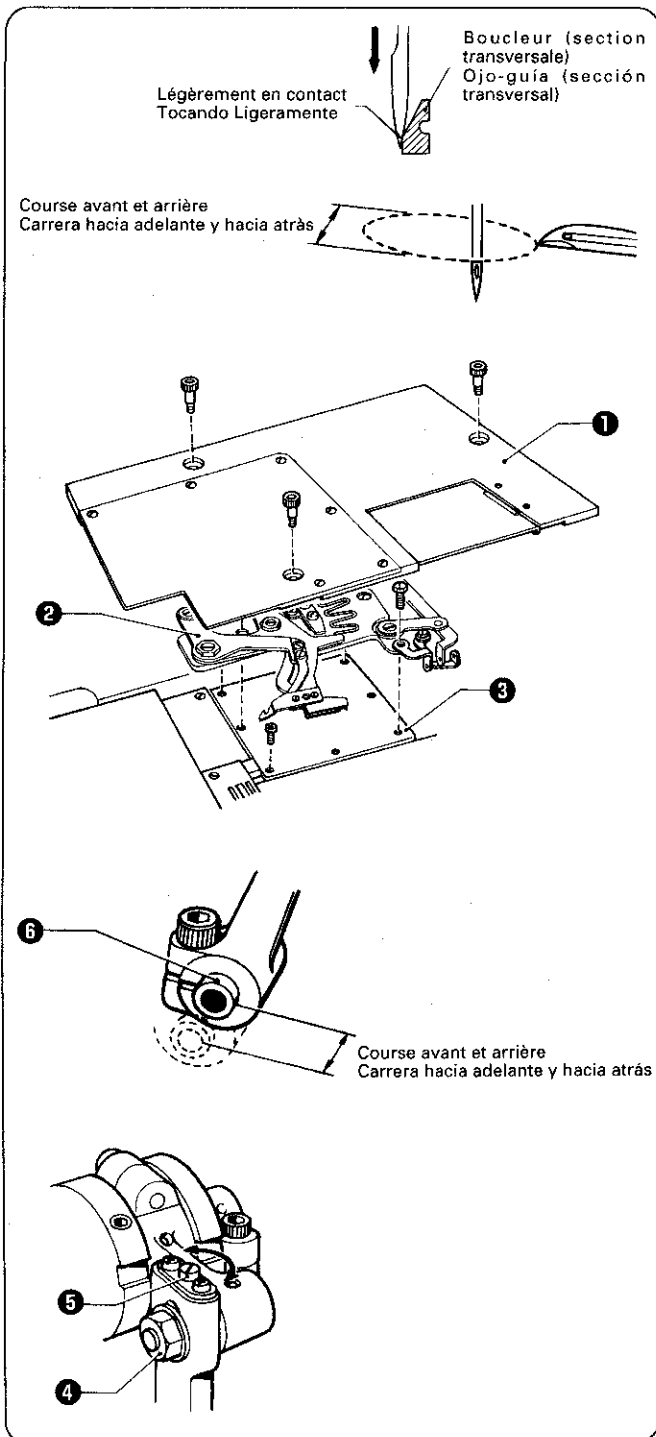
1. Remove the presser foot, needle plate and feed dog(s). (Refer to pages 57 - 58.)
2. Remove cloth plate R ①, the thread trimming unit ② and the bed upper cover ③. (Refer to page 59.)
3. Loosen nut ④.
4. Turn screw ⑤ and adjust according to the table.
 - * Tighten screw ⑤ to decrease the stroke.
 - * Measure the forward and backward stroke of shaft ⑥ to determine the stroke.
5. Tighten the nut ④.
6. Install the bed upper cover ③, the thread trimming unit ② and cloth plate R ①. (Refer to page 59.)
 - * However, after installing the thread trimming unit ②, carry out the adjustments in "11-3-5. Adjusting the lower knife and looper positions", "11-3-6. Adjusting the lower knife and needle positions" and "11-3-7. Adjusting the upper knife stopper".

- Der Greiferhub muß nur eingestellt werden, wenn sich die Nadelgröße stark ändert.
- Den Abstand zwischen der Nadel und dem Greifer auf 0 - 0,05 mm (siehe Seite 62) halten und den Vor/Rückwärtshub einstellen, so daß sich die Nadel und der Greifer leicht berühren, wenn sich die Nadel hinter dem Greifer absenkt.

1. Entfernen Sie den Stoffdrückerfuß, die Stichplatte und den Transporteur, bzw. die Transporteure. (Siehe Seite 57 - 58.)
2. Entfernen Sie die Stoffplatte R ①, die Fadenabschneidereinheit ② und die obere Abdeckung ③. (Siehe Seite 59.)
3. Die Mutter ④ lösen.
4. Die Einstellung mit der Schraube ⑤ entsprechend der Tabelle vornehmen.
 - * Beim Festziehen verringert sich der Hub.
 - * Den Vor- und Rückwärtshub kann an der Welle ⑥ gemessen werden.
5. Ziehen Sie die Mutter ④ fest.
6. Bauen Sie die obere Abdeckung ③, die Fadenabschneidereinheit ② und die Stoffplatte R ① wieder an. (Siehe Seite 59.)
 - * Beim Einbau der Fadenabschneidereinheit ② müssen Sie die in den Abschnitten "11-3-5. Einstellen der unteren Messer- und der Greiferposition", "11-3-6. Einstellen der unteren Messer- und der Nadelposition" und "11-3-7. Einstellen des Obermesseranschlages" beschriebenen Einstellungen ausführen.

Needle count (Organ) Nadelnummer (Organ)	Forward-backward stroke Vor- und Rückwärtshub
#80 (#12)	2.6mm / 2,6mm
#85 - #90 (#13 - #14)	2.7mm / 2,7mm
#95 - #100 (#15 - #16)	2.8mm / 2,8mm
#105 - #120 (#17 - #19)	2.9mm / 2,9mm

11-2-10. Réglage de la course avant/arrière du boucleur
11-2-10. Ajuste del recorrido hacia adelante y atrás del ojo-guía



- Le réglage de la course avant-arrière du boucleur ne devient nécessaire que lorsqu'on change de taille d'aiguille.
- Tout en maintenant l'écart entre l'aiguille et le boucleur à 0 - 0,05 mm (Se reporter à la page 62.), régler la course avant-arrière de manière que l'aiguille et le boucleur soient légèrement en contact lorsque l'aiguille pique derrière le boucleur.

1. Déposer le pied presseur, la plaque à aiguille et la (les) griffe(s) d'entraînement. (Se reporter aux pages 57 - 58.)
2. Retirer la plaque à tissu R ①, l'unité de coupe-fils ② et le couvercle supérieur ③ de plateau. (Se reporter à la page 59.)
3. Desserrer l'écrou ④.
4. Tourner la vis ⑤ et régler en fonction du tableau.
 * Serrer la vis ⑤ pour réduire la course.
 * Mesurer la course avant et la course avant et arrière de l'arbre ⑥ afin de déterminer la valeur de la course du boucleur.
5. Serrer l'écrou ④.
6. Installer le couvercle supérieur ③ de plateau, l'unité de coupe-fils ② et la plaque à tissu R ①. (Se reporter à la page 59.)
 * Toutefois, après avoir installé l'unité de coupe-fils ②, effectuer les réglages décrits aux sections "11-3-5. Réglage des positions du couteau inférieur et du boucleur", "11-3-6. Réglage des positions du couteau inférieur et de l'aiguille" et "11-3-7. Réglage de la butée du couteau supérieur".

- El recorrido del ojo-guía de avance-retroceso sólo se debe ajustar cuanto el cambio de tamaño de la aguja es importante.
- Manteniendo la separación entre la aguja y el ojo-guía en 0-0,05 mm (consultar la página 62), ajustar el recorrido hacia adelante y atrás de manera que la aguja y el ojo-guía se estén tocando ligeramente cuando la aguja haya bajado detrás del ojo-guía.

1. Desmonter el prensatelas, la placa de agujas y el(los) alimentador(es). (Consultar las páginas 57 - 58.)
2. Desmontar la placa de tela R ①, el cortahilos ② y la cubierta superior de la cama ③. (Consultar la página 59.)
3. Aflojar la tuerca ④.
4. Girar el tornillo ⑤ y ajustar de acuerdo al cuadro.
 * Apretar el tornillo ⑤ para disminuir la carrera.
 * Medir el carrera hacia adelante y hacia atrás del eje ⑥ para determinar el recorrido.
5. Apretar la tuerca ④.
6. Instalar la cubierta superior de la cama ③, el cortahilos ② y la placa de tela R ①. (Consultar la página 59.)
 * Sin embargo, después de instalar el cortahilos ②, realizar los ajustes en la sección "11-3-5. Ajuste de las posiciones de la cuchilla inferior y el ojo-guía", "11-3-6. Ajuste de las posiciones de la cuchilla inferior y la aguja" y "11-3-7. Ajuste del tope de la cuchilla superior".

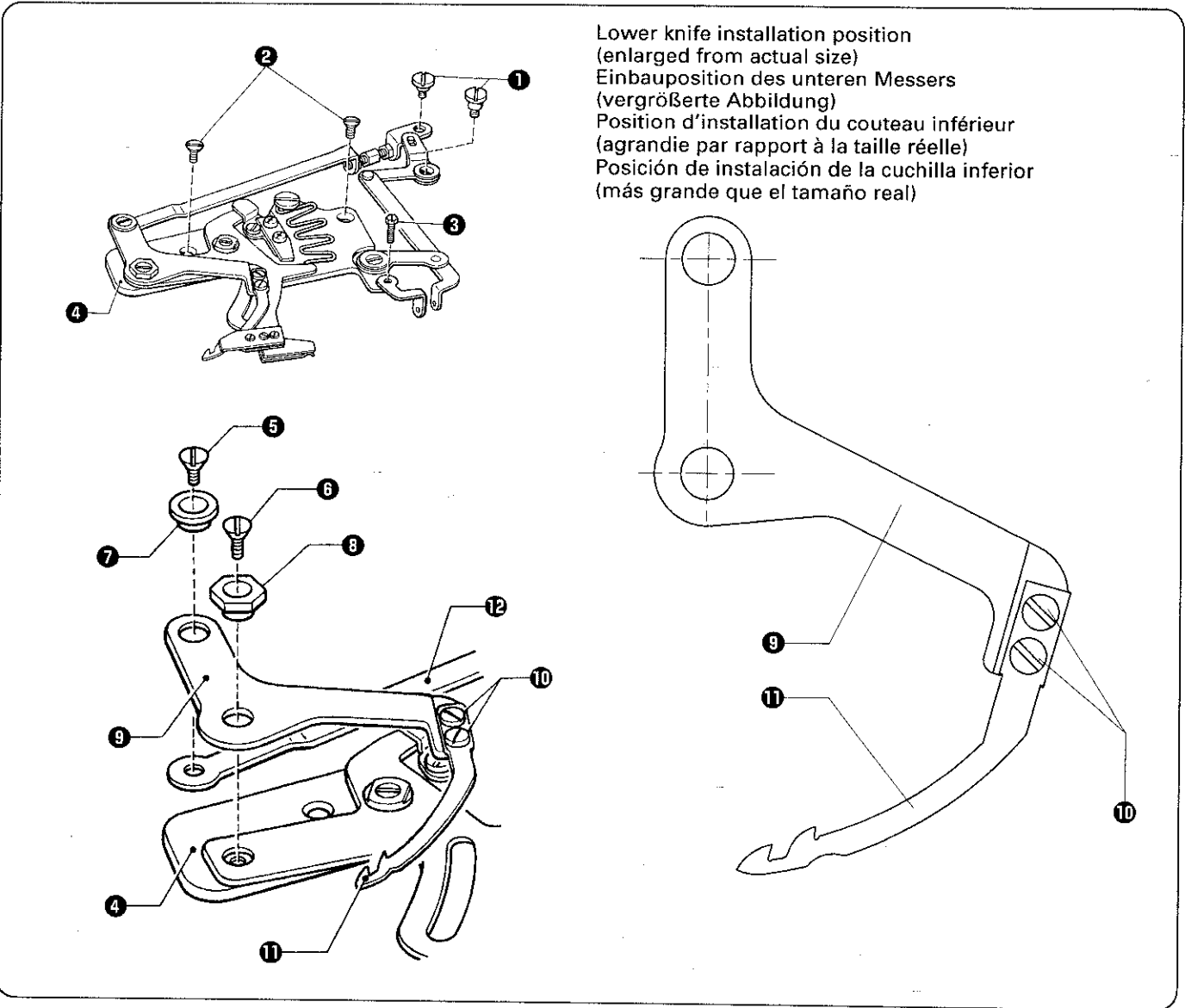
Taille d'aiguille (Organ) Cuenta de la aguja (Organ)	Course avant et arrière Carrera hacia adelante y hacia atrás
#80 (#12)	2,6mm
#85 - #90 (#13 - #14)	2,7mm
#95 - #100 (#15 - #16)	2,8mm
#105 - #120 (#17 - #19)	2,9mm

11. STANDARD ADJUSTMENTS
 11. STANDARDEINSTELLUNGEN
 11. REGLAGES STANDARD
 11. AJUSTES ESTANDARES

11-3. Adjusting the thread trimmer
 11-3. Einstellen des Fadenabschneiders
 11-3. Réglage du coupe-fils
 11-3. Ajuste del cortahilos

- * Remove cloth plate R and the needle plate and open the front cover before adjusting the thread trimmer.
- * Entfernen Sie die Stoffplatte R und die Stichplatte und öffnen Sie den Frontdeckel bevor Sie den Fadenabschneider einstellen.
- * Retirer la plaque à tissu R et la plaque à aiguille puis ouvrir le couvercle avant avant de régler le coupe-fils.
- * Desmontar la placa de tela R y la placa de aguja y abrir la cubierta delantera antes de ajustar el cortahilos.

11-3-1. Adjusting the upper knife, lower knife and thread clamp spring positions
 11-3-1. Einstellen des oberen und unteren Messers und der Fadengreiferfederposition.
 11-3-1. Réglage des positions du couteau supérieur, du couteau inférieur et du ressort de pince-fil
 11-3-1. Ajuste de las posiciones de la cuchilla superior, la cuchilla inferior y el resorte de la pinza de hilo



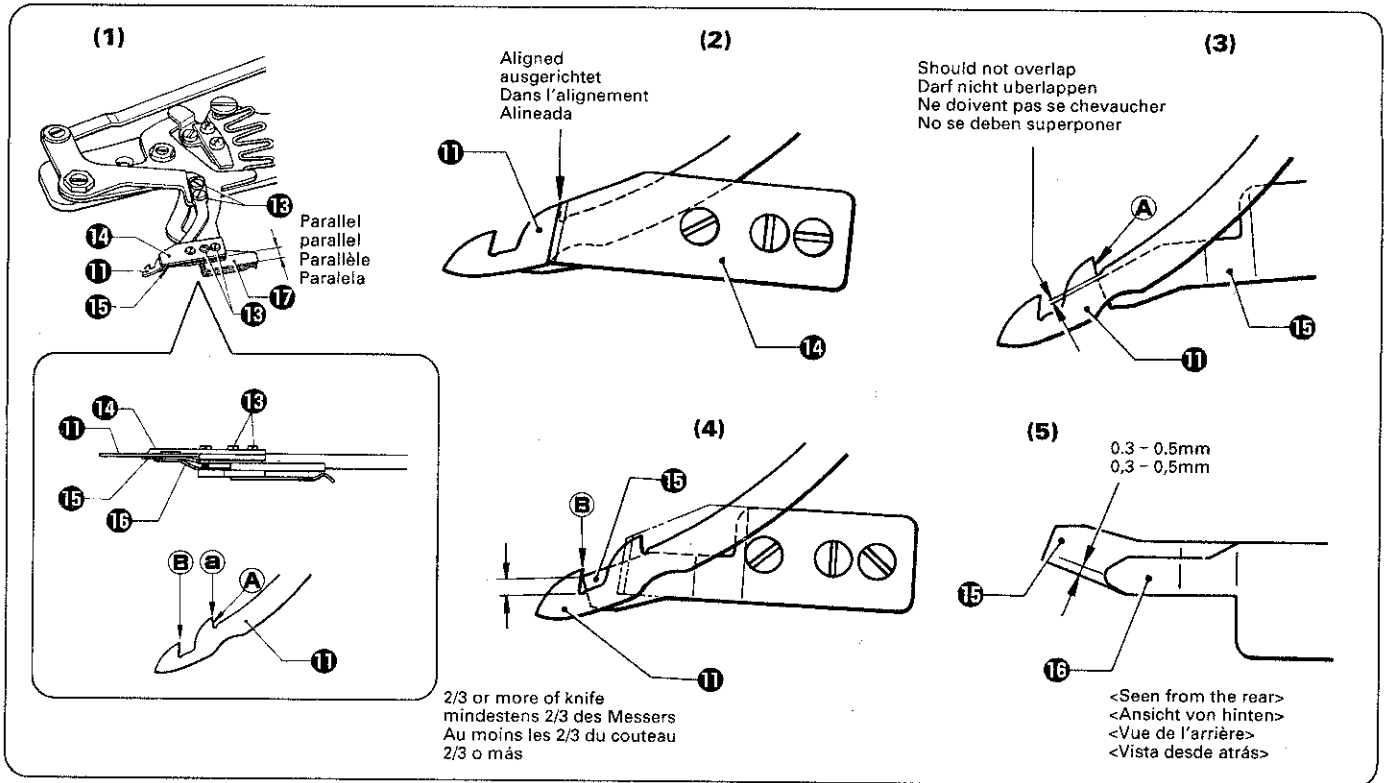
1. Remove the two stud screws ①, the two pan screws ② and the bolt ③, and then remove the lower thread trimmer bracket ④.
2. Remove the pan screws ⑤ and ⑥, and then remove the joint shaft ⑦, eccentric shaft ⑧ and lower knife lever ⑨.
NOTE: The joint shaft ⑦ and eccentric shaft ⑧ have grease applied to them. Be careful not to wipe off this grease.
3. Loosen the two screws ⑩.
4. Align the lower knife lever ⑨ and the lower knife ⑪ with the lower knife installation position (enlarged from actual size), and then secure the lower knife ⑪ to the lower knife lever ⑨ by tightening the screw ⑩.
5. Install the joint shaft ⑦, eccentric shaft ⑧ and lower knife lever ⑨ to the lower thread trimmer bracket ④ and the driving connector ⑫ with the pan screws ⑤ and ⑥.

1. Entfernen Sie die beiden Stiftschrauben ①, die beiden Schrauben ② und die Schraube ③ und nehmen Sie die untere Fadenabschneiderhalterung ④ ab.
2. Entfernen Sie die Schrauben ⑤ und ⑥ und nehmen Sie dann die Zwischenwelle ⑦, die Exzenterwelle ⑧ und den Messerhebel ⑨ ab.
HINWEIS: Die Zwischenwelle ⑦ und die Exzenterwelle ⑧ sind mit Schmierfett behandelt. Wischen Sie das Schmierfett nicht ab.
3. Lösen Sie die beiden Schrauben ⑩.
4. Richten Sie den Messerhebel ⑨ und das untere Messer ⑪ auf die vergrößert abgebildete Einbauposition des unteren Messers aus und befestigen Sie das untere Messer mit der Schraube ⑩ am Messerhebel ⑨.
5. Bauen Sie die Zwischenwelle ⑦, die Exzenterwelle ⑧ und den Messerhebel ⑨ an der unteren Fadenabschneiderhalterung ④ mit den Schrauben ⑤ und ⑥ an der Antriebsverbindung ⑫ an.

1. Retirer les deux vis à grosse tête ①, les deux vis à cuvette ② et le boulon ③, puis retirer le support ④ de coupe-fils inférieur.
2. Retirer les vis à cuvette ⑤ et ⑥, puis retirer l'arbre de raccord ⑦, l'arbre excentré ⑧ et le levier ⑨ du couteau inférieur.
REMARQUE: L'arbre de raccord ⑦ et l'arbre excentré ⑧ sont enduits de graisse. Veiller à ne pas éliminer cette graisse.
3. Desserrer les deux vis ⑩.
4. Aligner le levier ⑨ du couteau inférieur et le couteau inférieur ⑪ sur la position d'installation du couteau inférieur (agrandie par rapport à la taille réelle), puis fixer le couteau inférieur ⑪ sur le levier ⑨ du couteau inférieur en serrant la vis ⑩.
5. Installer l'arbre de raccord ⑦, l'arbre excentré ⑧ et le levier ⑨ du couteau inférieur sur le support ④ de coupe-fils inférieur et sur le connecteur d'entraînement ⑫ à l'aide des vis à cuvette ⑤ et ⑥.

1. Desmontar los dos espárragos ①, los dos tornillos de bandeja ② y el perno ③, y luego desmontar la ménsula del cortahilos inferior ④.
2. Desmontar los tornillos de bandeja ⑤ y ⑥, y luego desmontar el eje de unión ⑦, el eje excéntrico ⑧ y la palanca de la cuchilla inferior ⑨.
NOTA: El eje de unión ⑦ y el eje excéntrico ⑧ están engrasados. Tener cuidado de no quitar esa grasa.
3. Aflojar los dos tornillos ⑩.
4. Alinear la palanca de la cuchilla inferior ⑨ y la cuchilla inferior ⑪ con la posición de instalación de la cuchilla inferior (más grande que el tamaño real), y luego asegurar la cuchilla inferior ⑪ para la palanca de la cuchilla inferior ⑨ apretando el tornillo ⑩.
5. Instalar el eje de unión ⑦, el eje excéntrico ⑧ y la palanca de la cuchilla inferior ⑨ para la ménsula del cortahilos inferior ④ y el conector de impulsión ⑫ con los tornillos de bandeja ⑤ y ⑥.

11. STANDARD ADJUSTMENTS
11. STANDARDEINSTELLUNGEN
11. REGLAGES STANDARD
11. AJUSTES ESTANDARES



6. Loosen the two screws 13.
 7. While moving the lower knife 11 to the left and right from time to time, adjust the positions of the upper knife 14, thread clamp spring 15 and thread clamp adjust spring 16 by following steps (1) to (5) below.
 - (1) Install the upper knife 14, thread clamp spring 15 and thread clamp adjust spring 16 so that they are parallel to the upper knife lever 17.
 - (2) Align the end ② of the needle thread trimming blade of the lower knife 11 with the corner of the upper knife 14.
 - (3) Set the lower knife 11 so that the needle thread trimming blade ① does not overlap with the thread clamp spring 15.
 - (4) Adjust so that the end of the thread clamp spring 15 reaches over 2/3 or more of the looper thread trimming blade ③ of the lower knife 11.
 - (5) Adjust so that the end of the thread clamp adjust spring 16 comes to within 0.3 - 0.5 mm from the edge of the thread clamp spring 15.
 8. After adjusting, tighten the screws 13.
6. Lösen Sie die beiden Schrauben 13.
 7. Bewegen Sie das untere Messer 11 nach links und rechts und stellen Sie die Position des oberen Messers 14, der Fadengreiferfeder 15 und der Fadengreifereinstellfeder 16 wie in den folgenden Schritten (1) bis (5) beschrieben ein.
 - (1) Stellen Sie das obere Messer 14, die Fadengreiferfeder 15 und die Fadengreifereinstellfeder 16 so ein, daß sie parallel zum Hebel des oberen Messers 17 stehen.
 - (2) Richten Sie das Ende ② der Oberfadenmesserschneide des unteren Messers 11 auf die Ecke der oberen Messers 14 aus.
 - (3) Stellen Sie das untere Messer 11 so, daß die Oberfadenmesserschneide ① nicht mit der Fadengreiferfeder 15 überlappt.
 - (4) Stellen Sie das Ende der Fadengreiferfeder 15 so ein, daß es mindestens 2/3 an der Unterfadenmesserschneide ③ des unteren Messers 11 steht.
 - (5) Stellen Sie den Abstand zwischen dem Ende der Fadengreifereinstellfeder 16 und der Kante der Fadengreiferfeder 15 auf 0,3 bis 0,5 mm ein.
 8. Ziehen Sie nach abgeschlossener Einstellung die Schraube 13 fest.

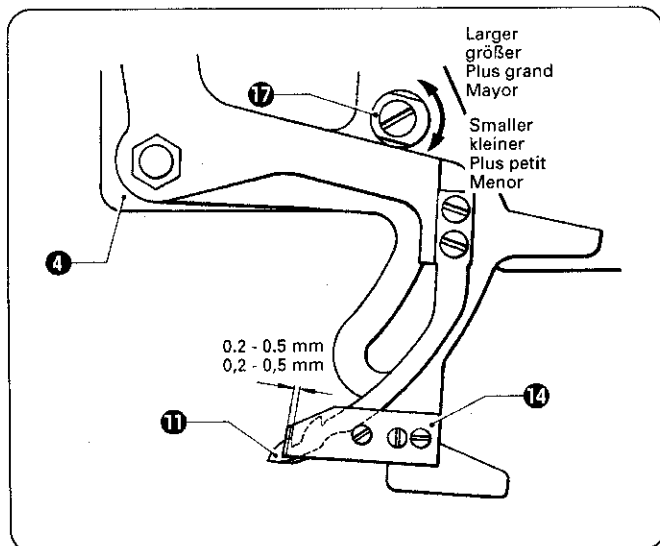
6. Desserrer les deux vis 13.
 7. Tout en déplaçant le couteau inférieur 11 vers la gauche et la droite de temps en temps, régler les positions du couteau supérieur 14, du ressort 15 de pince-fil et du ressort 16 de réglage de pince-fil en suivant les étapes (1) à (5) ci-dessous.
 - (1) Installer le couteau supérieur 14, le ressort 15 de pince-fil et le ressort 16 de réglage de pince-fil de manière qu'ils soient parallèles au levier 17 du couteau supérieur.
 - (2) Aligner l'extrémité 2 de la lame du coupe-fils d'aiguille du couteau inférieur 11 sur le coin du couteau supérieur 14.
 - (3) Régler le couteau inférieur 11 de manière que la lame A du coupe-fils d'aiguille ne chevauche pas le ressort 15 de pince-fil.
 - (4) Régler de manière que l'extrémité du ressort 15 de pince-fil atteigne les 2/3 ou plus de la lame B du coupe-fils de boucleur du couteau inférieur 11.
 - (5) Régler de manière que l'extrémité du ressort 16 de réglage de pince-fil arrive à 0,3 - 0,5 mm du bord du ressort 15 de pince-fil.
 8. Une fois les réglages effectués, resserrer les vis 13.
-
6. Aflojar los dos tornillos 13.
 7. Al mover la cuchilla inferior 11 de izquierda a derecha de vez en cuando, ajustar las posiciones de la cuchilla superior 14, el resorte de la pinza de hilo 15 y el resorte de ajuste de la pinza de hilo 16 mediante los pasos (1) al (5) indicados a continuación.
 - (1) Instalar de la cuchilla superior 14, el resorte de la pinza de hilo 15 y el resorte de ajuste de la pinza de hilo 16 de manera que se encuentren paralelos a la palanca de la cuchilla superior 17.
 - (2) Alinear el extremo 2 de la hoja del cortahilos de la cuchilla inferior 11 con la esquina de la cuchilla superior 14.
 - (3) Ajustar la cuchilla inferior 11 de manera que la hoja del cortahilos A no se superponga con el resorte de la pinza de hilo 15.
 - (4) Ajustar de manera que el extremo del resorte de la pinza de hilo 15 alcance a 2/3 o más de la hoja del cortahilos del ojo-guía B de la cuchilla inferior 11.
 - (5) Ajustar de manera que el extremo del resorte de ajuste de la pinza de hilo 16 llegue a 0,3 - 0,5 mm del borde del resorte de la pinza de hilo 15.
 8. Después de ajustar, apretar los tornillos 13.

11-3-2. Adjusting the meshing amount of the upper knife and lower knife

11-3-2. Einstellen des Eingriffs zwischen oberem und unterem Messer

11-3-2. Réglage de la quantité de chevauchement du couteau supérieur et du couteau inférieur

11-3-2. Ajuste de la superposición de la cuchilla superior y la cuchilla inferior



With the lower thread trimmer bracket 4 removed from the bed, turn the eccentric screw 17 so that the edge of the upper knife 14 and the looper thread trimming knife edge B of the lower knife 11 are meshed by 0.2 - 0.5 mm.

Bei entfernter Unterfadenmesserhalterung 4 die Exzenterschraube 17 drehen, um den Eingriff des oberen Messers 14 mit der Kante B des unteren Messers 11 auf 0,2 - 0,5 mm einzustellen.

Après avoir retiré le support de coupe-fils inférieur 4 du plateau, tourner la vis excentrique 17 de façon que le bord du couteau supérieur 14 et le couteau B de coupe-fils de boucleur du couteau inférieur 11 se chevauchent de 0,2 - 0,5 mm.

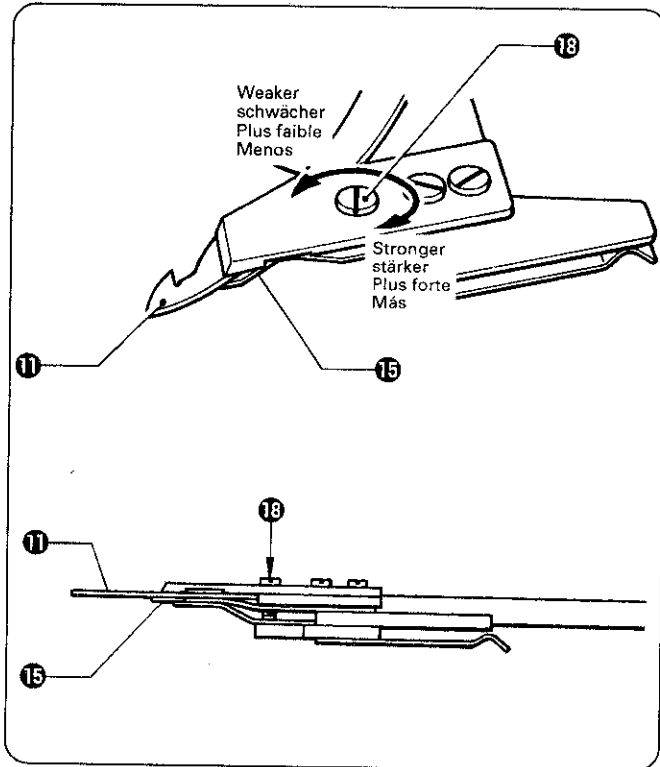
Con el soporte del cortahilos inferior 4 desmontada de la cama, girar la cuchilla excentrica 17 de forma que entre borde de la cuchilla superior 14 y la cuchilla B de cortahilo del ojo-guía de la cuchilla inferior 11 la superposición sea 0,2 - 0,5 mm.

11-3-3. Adjusting the thread clamp spring pressure

11-3-3. Einstellen der Fadengreiferfederkraft

11-3-3. Réglage de la compression du ressort de pince-fil

11-3-3. Ajuste de la presión del resorte de la pinza de hilo



1. With the lower thread trimmer bracket **4** removed from the bed, loosen the screw **18**.
 2. Re-tighten the screw **18**, and after the thread clamp spring **15** touches the lower knife **11**, turn the screw a further 45°.
- * If the spring pressure is too weak, trimming defects or looper thread nipping errors can easily occur, and if the pressure is too tight, the looper thread will not detach from the thread nipper spring **15** at the next sewing start, and material blockages will occur.

1. Bei entfernter Unterfadenmesserhalterung **4** die Schraube **18** lösen.
 2. Wenn die Fadengreiferfeder **15** das untere Messer **11** berührt, die Schraube **18** wieder anziehen, danach die Schraube um weitere 45° festziehen.
- * Bei zu geringer Federkraft treten Störungen beim Abschneiden und beim Greifen des Unterfadens auf. Bei zu hoher Federkraft löst sich der Unterfaden aus der Fadengreiferfeder **15**, so daß beim Nähbeginn ein Materialstau auftreten kann.

1. Retirer le support **4** de coupe-fils inférieur du plateau, puis desserrer la vis **18**.
 2. Resserrer la vis **18**, et après que le ressort de pince-fil **15** entre en contact avec le couteau inférieur **11**, tourner la vis de 45° supplémentaires.
- * Si la compression du ressort est trop faible, des défauts de coupage ou des erreurs de pincage du fil sont susceptibles de se produire; de plus, si la compression est trop forte, le fil de boucleur ne pourra pas se séparer du ressort de pince-fil **15** lors du début de couture, et le tissu pourra se trouver coincé.

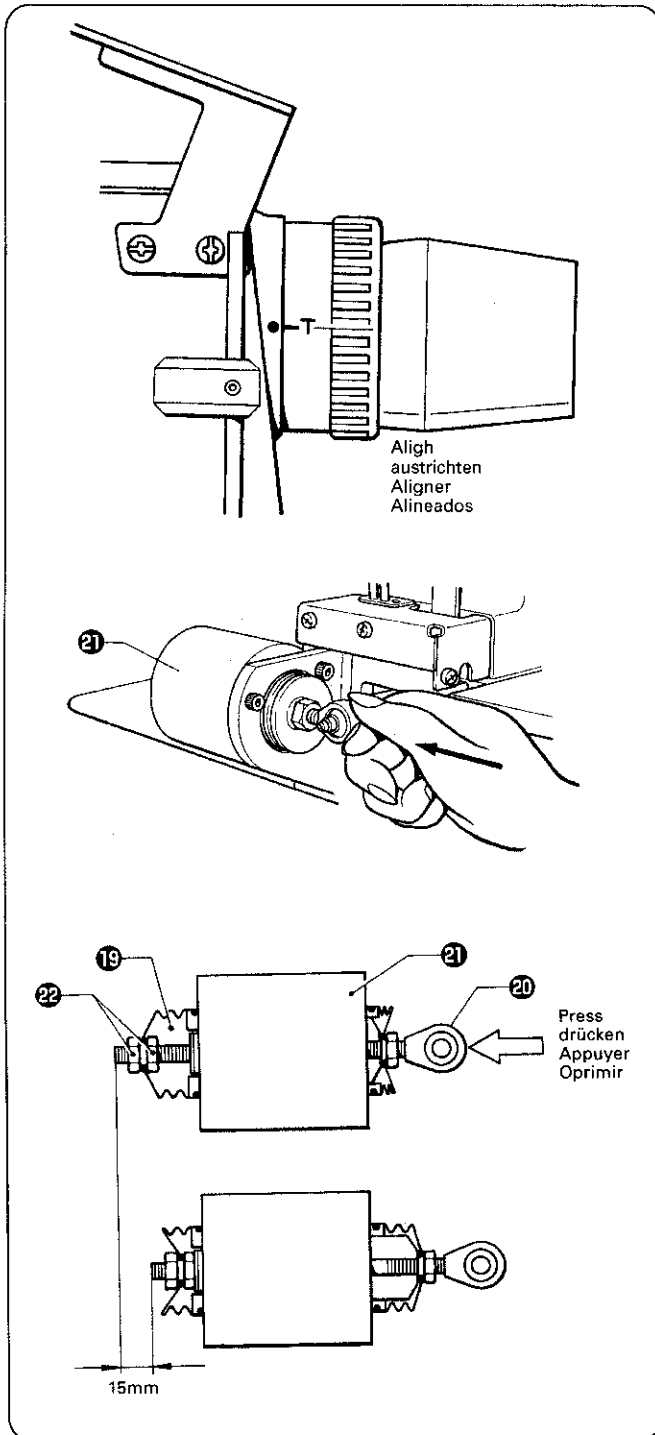
1. Con la ménsula del cortahilos inferior **4** desmontada de la cama, aflojar el tornillo **18**.
 2. Volver a apretar el tornillo **18**, y luego que el resorte de la pinza de hilo **15** toca la cuchilla inferior **11**, girar el tornillo 45 más.
- * Si la presión es muy poca, ocurrirán defectos durante el corte de hilo o problemas con la pinza de hilo del ojo-guía, y si la presión es demasiada, el hilo del ojo-guía no se soltará del resorte de pinza de hilo **15** al comienzo de la próxima costura, y la tela se trabará.

11-3-4. Adjusting the thread trimming Solenoid stroke (Models with solenoid-type thread trimmer)

11-3-4. Einstellen des Hubs des Fadenabschneidersolenoids (Maschinen mit Solenoid-Fadenabschneider)

11-3-4. Réglage de la course du solénoïde coupe-fils (Modèles avec coupe-fils à solénoïde)

11-3-4. Ajuste del recorrido del solenoide de cortahilos (Modelos con cortahilos tipo solenoide)



1. Turn the sewing machine pulley to align the T mark on the pulley with the matching mark on the arm.

2. Remove the rubber boot 19 (on the left side when seen from the rear of the sewing machine) gently by hand.

3. Adjust by fully pressing the joint 20 of the thread trimming solenoid 21 and loosening the two nuts 22 so that the stroke becomes 15 mm.

4. Return the rubber boot 19 to its original position.

* For pneumatic types, the size of the cylinder ensures that the stroke will be 15 mm.

1. Die Markierung T auf der Riemenscheibe durch Drehen der Riemenscheibe auf die Markierung am Arm ausrichten.

2. Entfernen Sie den Gummibalg 19 auf der linken Seite (wenn von der Hinterseite der Maschine gesehen) sorgfältig mit der Hand.

3. Drücken Sie die Verbindung 20 des Fadenabschneidersolenoids 21 fest und stellen Sie den Hub durch Lösen der Mutter 22 auf 15 mm ein.

4. Bringen Sie den Gummibalg 19 wieder in der ursprünglichen Position an.

* Für pneumatische Ausführungen wird der Hub durch die Zylindergröße auf 15 mm festgelegt.

1. Tourner la poulie de la machine de façon à aligner le repère T marqué sur la poulie avec le repère correspondant marqué sur le bras.

2. Retirer la gaine en caoutchouc 19 (située sur le côté gauche en regardant du côté arrière de la machine) doucement avec la main.

3. Régler en pressant complètement le raccord 20 du solénoïde 21 de coupe-fils et en desserrant les deux écrous 22 de manière que la course soit de 15 mm.

4. Remettre la gaine en caoutchouc 19 à sa position initiale.

* Pour ce qui concerne les types pneumatiques, la taille du cylindre garantit une course de 15mm.

1. Girar la polea de la máquina de coser para alinear la marca T de la polea con la marca correspondiente en el brazo.

2. Desmontar la funda de caucho 19 (del lado izquierdo cuando vista desde atrás de la máquina de coser) suavemente a mano.

3. Ajustar presionando completamente la unión 20 del solenoide del cortahilos 21 y aflojar las dos tuercas 22 de manera que el recorrido sea 15 mm.

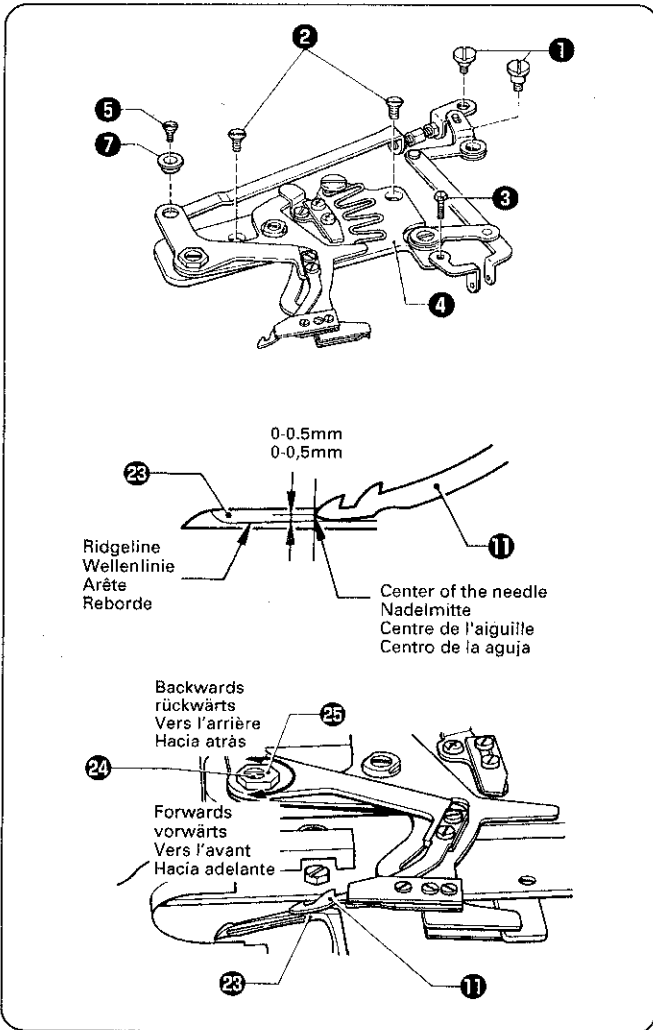
4. Volver la funda de caucho 19 a su posición original.

* Para tipos neumáticos, el tamaño del cilindro asegura que el recorrido será de 15 mm.

11. STANDARD ADJUSTMENTS
 11. STANDARDEINSTELLUNGEN
 11. REGLAGES STANDARD
 11. AJUSTES ESTANDARES

11-3-5. Adjusting the lower knife and looper positions
 11-3-5. Einstellen der unteren Messer- und der Greiferposition
 11-3-5. Réglage des positions de couteau inférieur et de boucleur
 11-3-5. Ajuste de la posición de la cuchilla inferior y el ojo-guía

- * Confirm that the stroke of the thread trimming solenoid is 15 mm.
- * Kontrollieren, ob der Hub des Fadenabschneidersolenoids 15 mm beträgt.
- * S'assurer que la course du solénoïde de coupe-fils est bien de 15 mm.
- * Confirmar que el recorrido del solenoide del cortahilos sea 15 mm.



1. Turn the sewing machine pulley to align the T mark on the pulley with the matching mark on the arm.
2. Attach the lower thread trimmer bracket 4 with the two screws 1, the two screws 2 and the bolt 3.
3. Remove the pan screw 5, and then remove the joint shaft 7.
NOTE: The joint shaft 7 has grease applied to it. Be careful not to wipe off this grease.
4. Move the end of the lower knife 11 to the center of the needle.
5. Loosen the pan screw 24 and turn the eccentric shaft 25 to adjust so that the end of the lower knife 11 is 0 - 0.5 mm behind the ridgeline on the looper 23 at this time.
6. Tighten the pan screw 24.
7. Re-install the joint shaft 7 in its original position with the pan screw 5.

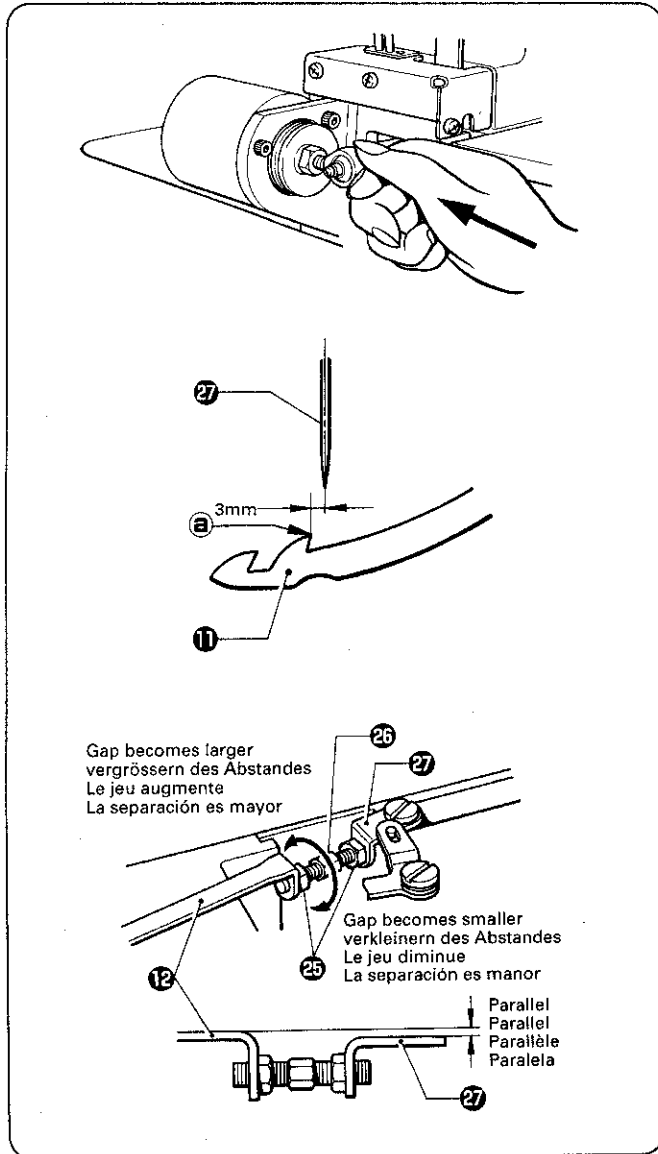
1. Die Markierung T auf der Riemenscheibe durch Drehen der Riemenscheibe auf die Markierung am Arm ausrichten.
2. Befestigen Sie die Unterfadenmesserhalterung 4 mit den beiden Schrauben 1, den beiden Schrauben 2 und der Schraube 3.
3. Lösen Sie die Schraube 5 und entfernen Sie die Zwischenwelle 7.
HINWEIS: Die Zwischenwelle 7 ist mit Fett behandelt. Das Fett darf nicht abgewischt werden.
4. Stellen Sie das Ende des unteren Messers 11 auf die Nadelmitte ein.
5. Lösen Sie die Schraube 24 und stellen Sie das Spitze des unteren Messers 11 durch Drehen der Exzenterwelle 25 auf 0 - 0,5 mm hinter die Scheitellinie des Greifers 23 auf.
6. Ziehen Sie die Schraube 24 wieder fest.
7. Bringen Sie die Zwischenwelle 7 mit der Schraube 5 wieder an der ursprünglichen Position an.

1. Tourner la poulie de la machine de façon à aligner le repère T marqué sur la poulie avec le repère correspondant marqué sur le bras.
2. Fixer le support 4 de coupe-fils inférieur à l'aide des deux vis 1, des deux vis 2 et du boulon 3.
3. Retirer la vis à cuvette 5, puis retirer l'arbre de raccord 7.
REMARQUE: L'arbre de raccord 7 est enduit de graisse. Veiller à ne pas éliminer cette graisse.
4. Déplacer l'extrémité du couteau inférieur 11 vers le centre de l'aiguille.
5. Desserrer la vis à cuvette 24 et tourner l'arbre excentré 25 pour régler de manière que l'extrémité du couteau inférieur 11 soit située à 0 - 0,5 mm derrière l'arête du boucleur 23 à ce moment.
6. Resserrer la vis à cuvette 24.
7. Remettre l'arbre de raccord 7 à sa position initiale à l'aide de la vis à cuvette 5.

1. Girar la polea de la máquina de coser para alinear la marca T de la polea con la marca correspondiente en el brazo.
2. Colocar la ménsula del cortahilos inferior 4 con los dos tornillos 1, los dos tornillos 2 y el perno 3.
3. Desmontar el tornillo de bandeja 5, y luego desmontar el eje de unión 7.
NOTA: El eje de unión 7 está engrasado. Tener cuidado de no quitar esa grasa.
4. Mover el extremo de la cuchilla inferior 11 hacia el centro de la aguja.
5. Aflojar el tornillo de bandeja 24 y girar el eje excéntrico 25 para ajustar de manera que el extremo de la cuchilla inferior 11 se encuentre 0 - 0,5 mm detrás de la divisoria en el ojo-guía 23 en este momento.
6. Apretar el tornillo de bandeja 24.
7. Volver a instalar el eje de unión 7 en su posición original con el tornillo de bandeja 5.

11-3-6. Adjusting the lower knife and needle positions
11-3-6. Einstellen der unteren Messer- und der Nadelposition
11-3-6. Réglage des positions de couteau inférieur et d'aiguille
11-3-6. Ajuste de la posición de la cuchilla inferior y la aguja

- * Confirm that the stroke of the thread trimming solenoid is 15 mm.
- * Kontrollieren, ob der Hub de Fadenabschnidersolenoids 15 mm beträgt.
- * S'assurer que la course du solénoïde de coupe-fils est bien de 15 mm.
- * Confirmar que el recorrido del solenoide de cortahilos sea 15mm.



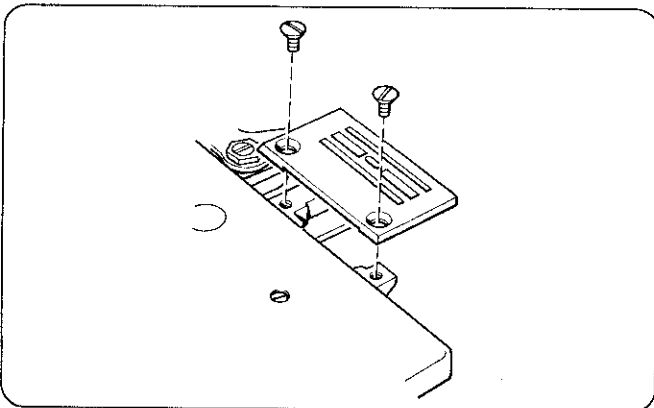
1. Turn the sewing machine pulley to align the T mark on the pulley with the matching mark on the arm.
 2. Adjust by loosening the nuts 25 that are securing the upper knife connecting lever 23 on both sides and then turning the upper knife connecting lever 23 so that the gap between the thread trimming knife edge 3 of the lower knife 11 and the center of the needle 27 is 3 mm when the thread trimming solenoid is fully pressed in.
 3. After adjusting, secure the upper knife connecting lever 23 with the nuts 25, and confirm again that the gap is 3 mm.
- * Install so that the driving connector 12 and the driving connector plate 27 are parallel.

1. Die Markierung T auf der Riemenscheibe durch Drehen der Riemenscheibe auf die Markierung am Arm ausrichten.
 2. Zum Einstellen die Muttern 25 an beiden Seiten lösen, mit denen der Messerhebel 23 befestigt ist und den Messerhebel 23 drehen, um den Abstand zwischen der Messerkante 3 des unteren Messers 11 und der Mitte der Nadel 27 bei zusammengezogenem Solenoid auf 3 mm einzustellen.
 3. Nach abgeschlossener Einstellung den Messerhebel 23 mit den Muttern 25 sichern und nochmals kontrollieren, ob der Abstand 3 mm beträgt.
- * Beim Einbau müssen sich der Antriebsverbindung 12 und die Antriebsverbindungsplatte 27 parallel zueinander befinden.

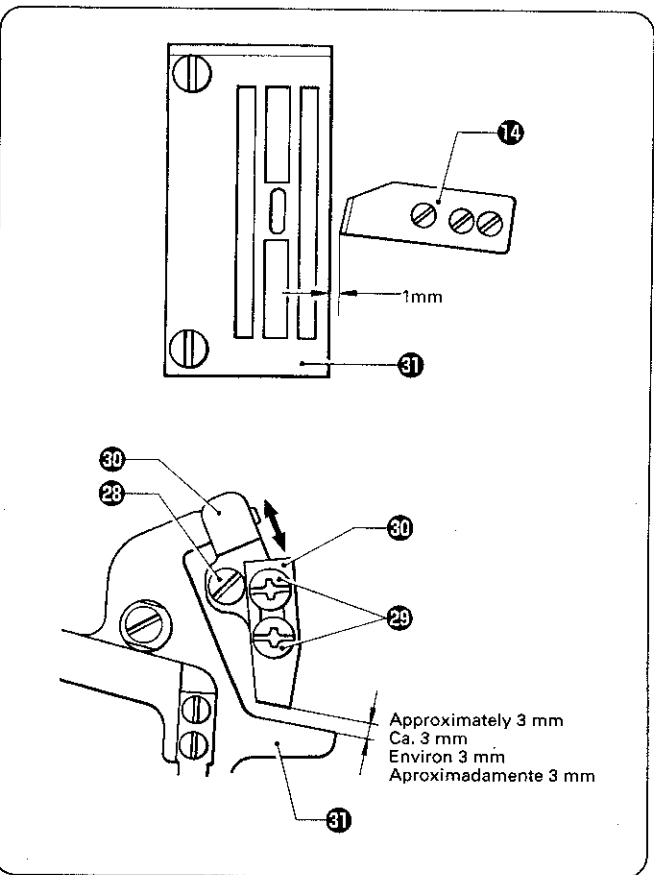
1. Tourner la poulie de la machine de façon à aligner le repère T marqué sur la poulie avec le repère correspondant marqué sur le bras.
 2. Pour effectuer le réglage, desserrer les écrous 25 fixant le levier de connexion du couteau supérieur 23 des deux côtés puis tourner le levier de connexion du couteau supérieur 23, de façon que le jeu entre le bord 3 du couteau de coupe-fils du couteau inférieur 11 et le milieu de l'aiguille 27 soit de 3 mm lorsque le solénoïde de coupe-fils est enfoncé à fond.
 3. Le réglage accompli, fixer le levier de connexion du couteau supérieur 23 à l'aide des écrous 25, et s'assurer à nouveau que le jeu soit bien de 3 mm.
- * Installer de manière que le connecteur d'entraînement 12 et la plaque 27 du connecteur d'entraînement soient parallèles.

1. Girar la polea de la máquina de coser para alinear la marca T de la polea con la marca correspondiente en el brazo.
 2. Ajustar aflojando la tuercas 25 que aseguran la palanca de conexión de la cuchilla superior 23 de ambos lados y luego girar la palanca de conexión de la cuchilla superior 23 de forma que la separación entre el borde 3 de la cuchilla inferior de cortahilos 11 y el centro de la aguja 27 sea 3 mm cuando el solenoide de cortahilos está completamente hacia adentro.
 3. Luego de ajustar, asegurar la palanca de conexión de la cuchilla superior 23 con las tuercas 25, y confirmar nuevamente que la separación sea 3 mm.
- * Instalar de manera que el conector de impulsión 12 y la placa del conector de impulsión 27 están paralelos.

11-3-7. Adjusting the upper knife stopper
11-3-7. Einstellen des Obermesseranschlags
11-3-7. Réglage de la butée de couteau supérieur
11-3-7. Ajuste del retén de la cuchilla superior



- * Attach the needle plate.
- * Die Stichplatte anbringen.
- * Fixer la plaque à aiguille.
- * Colocar la placa de aguja.



- **Upper knife stopper B position**
 1. Loosen the screw 28 and the two screws 29 and move the upper knife stopper B 30 so that the gap between the needle plate 31 and the upper knife 14 is 1 mm when the upper knife 14 is moved all the way to the left.
 2. Tighten the screw 28 and the two screws 29.

- **Upper knife stopper A position**
 1. Loosen screw 28 and move the upper knife stopper A 30 to adjust the gap between the upper knife lever 31 and the upper knife stopper A 30 to approx. 3mm when the upper knife 14 is moved back.
 2. Tighten the two screws 29.

- **Position B des Obermesseranschlags**
 1. Die Schraube 28 und die beiden Schrauben 29 lösen, und den Abstand zwischen der Stichplatte 31 und dem oberen Messer 14 durch Verschieben des Obermesseranschlags B 30 auf 1 mm einstellen, wenn das obere Messer 14 ganz nach links gestellt ist.
 2. Danach die Schraube 28 und die beiden Schrauben 29 wieder festziehen.

- **Position A des Obermesseranschlags**
 1. Die Schraube 28 lösen und den Abstand zwischen dem Messerhebel 31 und dem Obermesseranschlags A 30 durch Verschieben des Obermesseranschlags A 30 auf etwa 3 mm einstellen, wenn das obere Messer 14 zurückgestellt ist.
 2. Danach die beiden Schrauben 29 wieder festziehen.

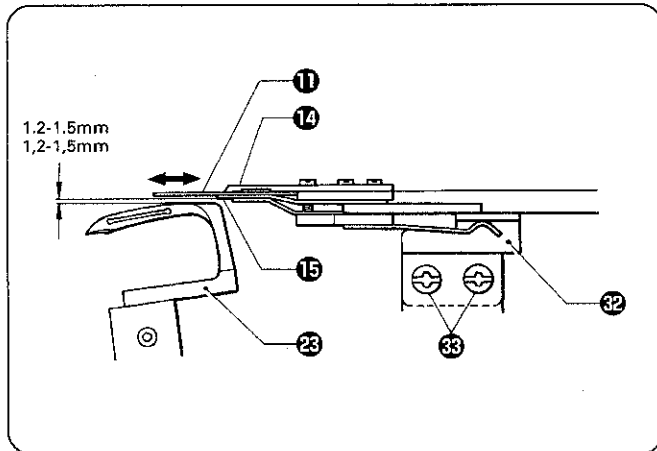
- **Position de la butée B de couteau supérieur**
 1. Desserrer la vis 28 et les deux vis 29 et déplacer la butée B de couteau supérieur 30 de façon que le jeu entre la plaque à aiguille 31 et le couteau supérieur 14 soit de 1 mm lorsque le couteau supérieur 14 est placé complètement à gauche.
 2. Serrer la vis 28 et les deux vis 29.

- **Position de la butée A de couteau supérieur**
 1. Desserrer la vis 28 et déplacer la butée A de couteau supérieur 30 de façon que le jeu entre le levier de couteau supérieur 31 et la butée A de couteau supérieur 30 soit d'environ 3 mm lorsque le couteau supérieur 14 est placé vers l'arrière.
 2. Serrer les deux vis 29.

- **Posición del tope de la cuchilla superior B**
 1. Aflojar el tornillo 28 y los dos tornillos 29 y mover el retén B de la cuchilla superior 30 de forma que la separación entre la placa de aguja 31 y la cuchilla superior 14 sea 1 mm cuando se mueve la cuchilla superior 14 completamente hacia la izquierda.
 2. Apretar el tornillo 28 y los dos tornillos 29.

- **Posición del tope de la cuchilla superior A**
 1. Aflojar el tornillo 28 y mover el retén A de la cuchilla superior 30 para ajustar la separación entre la palanca de la cuchilla superior 31 y el retén A de la cuchilla superior 30 a aproximadamente 3 mm cuando se mueve la cuchilla superior 14 hacia atrás.
 2. Apretar los dos tornillos 29.

11-3-8. Adjusting the looper and thread clamp spring height
11-3-8. Einstellen des Greifers und der Fadengreiferfederhöhe
11-3-8. Réglage du boucleur et de la hauteur du ressort de pince-fil
11-3-8. Ajuste de la altura del resorte de pinza de hilo y ojo-guía



1. Turn the sewing machine pulley to align the T mark on the pulley with the matching mark on the arm.
2. Adjust the height of the upper knife lever guide (14) by loosening the two screws (33) so that the gap between the uppermost surface of the looper (23) and the thread clamp spring (15) is 1.2-1.5 mm when the thread trimming solenoid is fully pressed in and the lower knife (11) is moved all the way to the left.
3. Tighten the two screws (33).

* After adjusting, confirm that the upper knife (14) and the lower knife (11) operate smoothly.

1. Die Markierung T auf der Riemenscheibe durch Drehen der Riemenscheibe auf die Markierung am Arm ausrichten.
2. Die beiden Schrauben (33) lösen und die Höhe der Obermesserhebelführung (14) einstellen, so daß der Abstand zwischen der obersten Kante des Greifers (23) und der Fadengreiferfeder (15) 1,2-1,5 mm beträgt, wenn das Fadenabschneidersolenoid ganz zusammengezogen und das untere Messer (11) ganz nach links gestellt ist.
3. Danach die beiden Schrauben (33) wieder festziehen.

* Kontrollieren Sie nach abgeschlossener Einstellung, ob sich das obere Messer (14) und das untere Messer (11) richtig betätigen lassen.

1. Tourner la poulie de la machine de façon à aligner le repère T marqué sur la poulie avec le repère correspondant marqué sur le bras.
2. Desserrer les deux vis (33) pour régler la hauteur du guide du levier de couteau supérieur (14) de façon que le jeu entre la partie la plus haute du boucleur (23) et le ressort du pince-fil (15) soit de 1,2-1,5 mm lorsque le solénoïde de coupe-fils est complètement enfoncé et que le couteau inférieur (11) est placé complètement vers la gauche.
3. Serrer les deux vis (33).

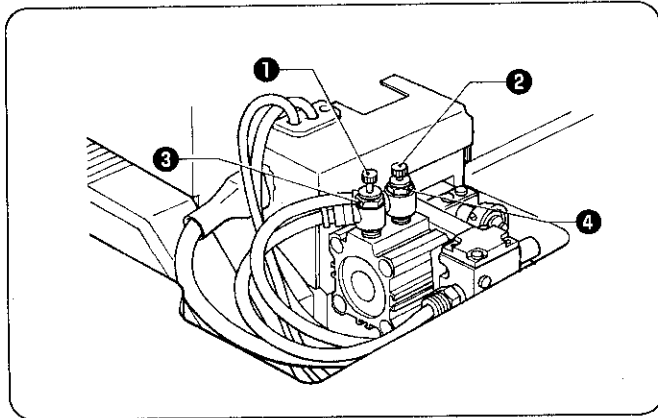
* Une fois le réglage effectué, vérifier si le couteau supérieur (14) et le couteau inférieur (11) fonctionnent bien.

1. Girar la polea de la máquina de coser para alinear la marca T de la polea con la marca correspondiente en el brazo.
2. Ajustar la altura de la guía de palanca de cuchilla superior (14) aflojando los dos tornillos (33) de forma que la separación entre la superficie superior del ojo-guía (23) y el resorte de pinza de hilo (15) sea 1,2-1,5 mm cuando el solenoide del cortahilos está completamente hacia adentro y la cuchilla inferior (11) se mueve completamente hacia la izquierda.
3. Apretar los dos tornillos (33).

* Después de ajustar, confirmar que la cuchilla superior (14) y la cuchilla inferior (11) funcionan suavemente.

11. STANDARD ADJUSTMENTS
 11. STANDARDEINSTELLUNGEN
 11. REGLAGES STANDARD
 11. AJUSTES ESTANDARES

11-3-9. Adjusting the speed controllers (Models with pneumatic-type thread trimmer)
 11-3-9. Einstellen der Geschwindigkeitsregler (Maschinen mit pneumatischem Fadenabschneider)
 11-3-9. Réglage des dispositifs de contrôle de vitesse (Modèles à coupe-fils pneumatique)
 11-3-9. Ajuste de los controladores de velocidad (Modelos con cortahilos de tipo neumático)



The advance speeds of the upper and lower knives can be adjusted by means of speed controller ①, and the return speeds of the upper and lower knives can be adjusted by means of speed controller ②.

Loosen the nuts ③ and ④ and turn the knobs ① and ② first to the left (speed becomes faster), and then back gradually to the right (speed becomes slower) to adjust.

* If the advance speed of the upper and lower knives is too slow, the needle thread and looper thread will not be held. In addition, if the return speed of the upper and lower knives is too fast, some varieties of threads may become cut before the upper and lower knives are meshed.

Die Betätigungsgeschwindigkeit des Ober- und des Untermessers kann mit dem Geschwindigkeitsregler ① und die Rückstellgeschwindigkeit des Ober- und Untermessers kann mit dem Geschwindigkeitsregler ② eingestellt werden. Die Muttern ③ und ④ lösen und die Knöpfe ① und ② zuerst nach links drehen, so daß die Geschwindigkeit erhöht wird; danach die Knöpfe zum Einstellen der Geschwindigkeit langsam zurückdrehen, um die Geschwindigkeit wieder zu vermindern.

* Falls die Betätigungsgeschwindigkeit des Ober- und Untermessers zu langsam ist, wird der Ober- und der Unterfaden nicht festgehalten. Bei zu hoher Rückstellgeschwindigkeit des Ober- und Untermessers werden einige Fadenarten abgeschnitten, bevor Ober- und Untermesser eingreift.

Les vitesses d'avance des couteaux inférieur et supérieur peuvent être réglées au moyen du dispositif de contrôle de vitesse ①, et les vitesses de rétraction des couteaux inférieur et supérieur peuvent être réglées au moyen du dispositif de contrôle de vitesse ②.

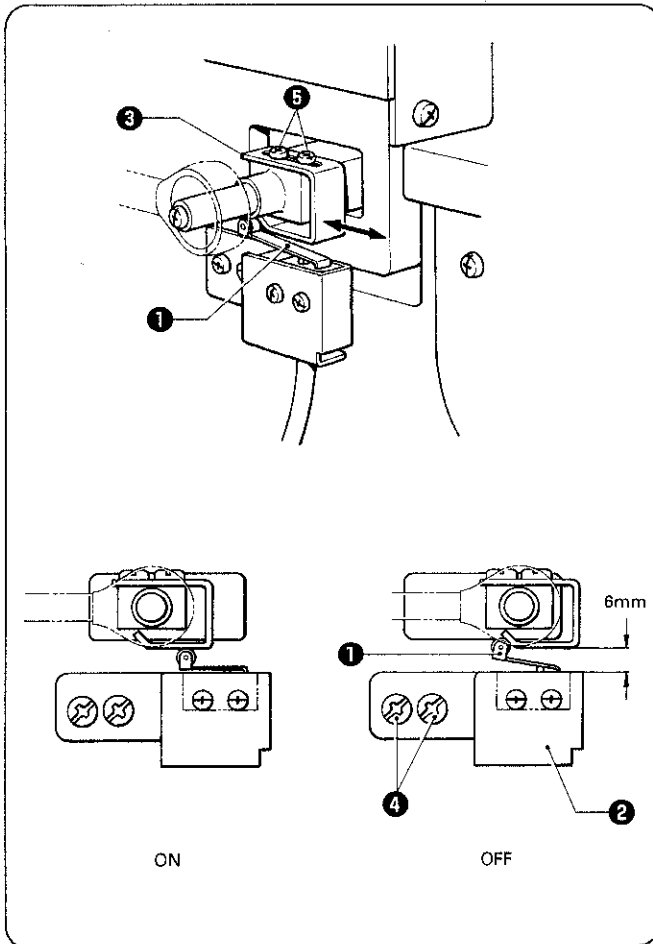
Pour effectuer le réglage, desserrer les écrous ③ et ④ et tourner les boutons ① et ② d'abord vers la gauche (la vitesse augmente), puis graduellement vers la droite (la vitesse diminue).

* Si la vitesse d'avance des couteaux inférieur et supérieur est trop faible, le fil d'aiguille et le fil de boucleur ne seront pas maintenus. En outre, si la vitesse de retour des couteaux inférieur et supérieur est trop grande, certains types de fils pourront se trouver copés avant que les couteaux inférieur et supérieur se soient chevauchés.

Las velocidades de avance de las cuchillas superior e inferior se pueden ajustar mediante el controlador de velocidad ①, y las velocidades de retorno de las cuchillas superior e inferior se pueden ajustar mediante el controlador de velocidad ②. Aflojar las tuercas ③ y ④ y girar las perillas ① y ② primero hacia la izquierda (la velocidad aumenta), y después gradualmente hacia la derecha (la velocidad disminuye) para ajustar.

* Si la velocidad de avance de las cuchillas superior e inferior es demasiado lenta, no se sostendrá el hilo de aguja y el hilo del ojo-guía. Además, si la velocidad de retorno de las cuchillas superior e inferior es demasiado rápida, algunos tipos de hilos se cortarán antes de que las cuchillas funcionen.

11-3-10. Adjusting the safety switch
11-3-10. Einstellen des Sicherheitsschalters
11-3-10. Réglage de l'interrupteur de sécurité
11-3-10. Ajuste del interruptor de seguridad



While the thread trimmer mechanism is operating, the safety switch ① switches to ON so that the sewing machine does not operate.

1. Loosen the two screws ④ and adjust the position of the switch base ② so that the gap between the switch base ② and the switch plate ③ is 6 mm.
 2. When the thread trimmer has fully returned to its starting position, loosen the two screws ⑤ and move the switch plate ③ until a click is heard, and then secure it.
- * When the safety switch ① is ON, the machine will not operate even if the treadle is depressed.

Beim Betätigen des Fadenabschneiders wird der Sicherheitsschalter ① eingeschaltet, so daß die Nähmaschine nicht betätigt werden kann.

1. Die beiden Schrauben ④ lösen und den Abstand zwischen der Grundplatte ② und der Schalterplatte ③ durch Verschieben der Grundplatte ② auf 6 mm einstellen.
 2. Sobald der Fadenabschneider wieder vollständig zurückgestellt ist, die beiden Schrauben ⑤ lösen und die Schalterplatte ③ soweit bewegen, bis ein Klicken hörbar ist; danach den Schalter in dieser Position sichern.
- * Bei eingeschaltetem Sicherheitsschalter ① kann die Nähmaschine nicht durch Drücken des Pedals in Betrieb genommen werden.

Lors du fonctionnement du coupe-fils, l'interrupteur de sécurité ① se met sur la position d'arrêt ON de façon à couper le fonctionnement de la machine.

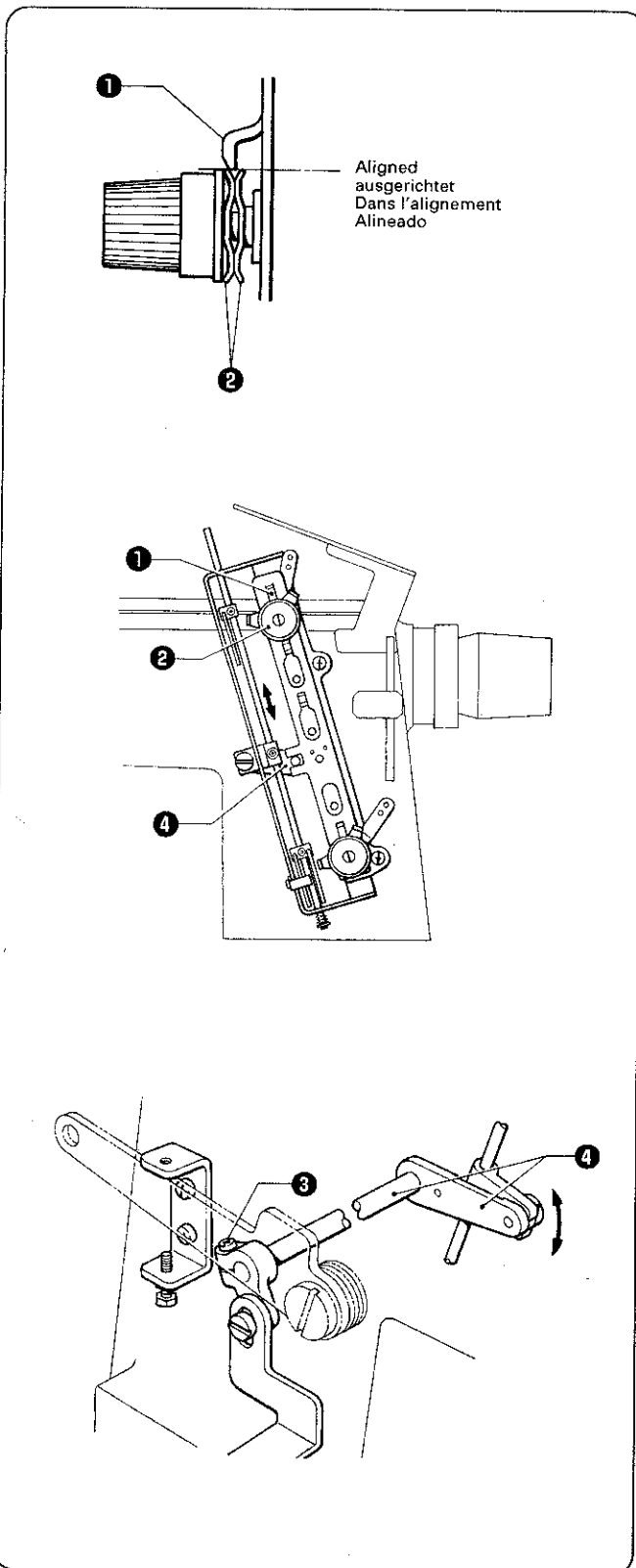
1. Desserrer les deux vis ④ et régler la position de la base d'interrupteur ② de façon que le jeu entre la base d'interrupteur ② et la plaque d'interrupteur ③ soit de 6 mm.
 2. Lorsque le coupe-fils est complètement revenu à sa position d'origine, desserrer les deux vis ⑤ et déplacer la plaque d'interrupteur ③ jusqu'à ce qu'un dé clic se fasse entendre, et le fixer alors.
- * Lorsque l'interrupteur de sécurité ① est sur la position de marche ON, la machine ne se mettra pas en marche même si l'on appuie sur la pédale.

Mientras funciona el cortahilos, el interruptor de seguridad ① se desconecta para que la máquina de coser no funcione.

1. Aflojar los dos tornillos ④ y ajustar la posición de la base del interruptor ② de forma que la separación entre la base del interruptor ② y la placa del interruptor ③ sea 6 mm.
 2. Cuando el cortahilos haya vuelto completamente a su posición de comienzo, aflojar los dos tornillos ⑤ y la placa del interruptor ③ hasta que se escuche un clic y volver a tornillar.
- * Cuando el interruptor de seguridad ① está conectado, la máquina no funcionará aunque se pise el pedal.

11-4. Adjusting the tension release assembly
11-4. Einstellen der Spannungsverminderungs-vorrichtung
11-4. Réglage du dispositif de relâche-tension
11-4. Ajuste del conjunto de liberación de tensión

11-4-1. Adjusting the tension release arm
11-4-1. Einstellen des Spannungsverminderungsarms
11-4-1. Réglage du bras de relâche-tension
11-4-1. Ajuste del brazo de liberación de tensión



Adjust so that the bottom edge of the tension release plate ① is aligned with the top (outside) of the thread tension disc ② when the thread trimmer has returned to its original position.

1. With the thread trimmer returned to its original position, loosen the screw ③.
2. Move the tension release shaft ④ up and down to adjust the position of the tension release plate ①.
3. Tighten the screw ③.
- * Tighten the screw ③ so that there is not too much longitudinal play in the tension release shaft ④.

Richten Sie die untere Kante der Spannungsverminderungsplatte ① auf die Oberseite (außen) der Fadenspannscheibe ② aus, wenn der Fadenabschneider in die ursprüngliche Position zurückgestellt ist.

1. Lösen Sie bei zurückgestelltem Fadenabschneider die Schraube ③.
2. Bewegen Sie die Spannungsverminderungswelle ④ zum Einstellen der Spannungsverminderungsplatte ① nach oben oder nach unten.
3. Ziehen Sie die Schraube ③ fest.
- * Ziehen Sie die Schraube ③ fest, so daß an der Spannungsverminderungswelle ④ nicht ein zu großes Längsspiel vorhanden ist.

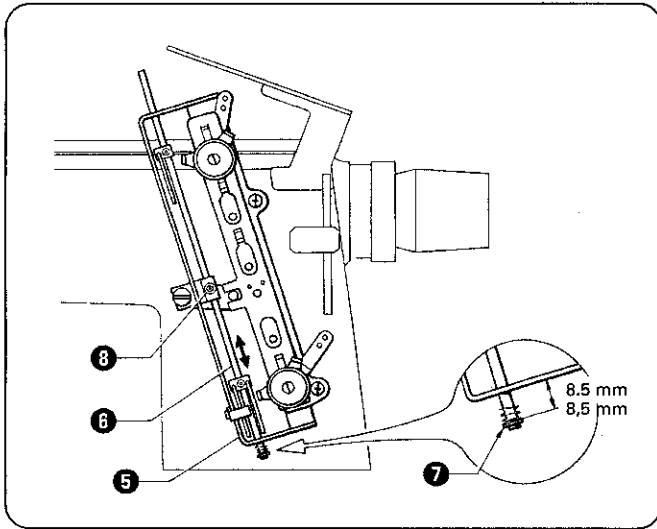
Régler de manière que le bord inférieur de la plaque de relâchement de tension ① soit alignée sur le côté supérieur (extérieur) du disque de tension de fil ② lorsque le coupe-fils est retourné à sa position initiale.

1. Une fois le coupe-fils retourné à sa position initiale, desserrer la vis ③.
2. Déplacer l'arbre de relâchement de tension ④ vers le haut et le bas pour régler la position de la plaque de relâchement de tension ①.
3. Serrer la vis ③.
- * Serrer la vis ③ de manière qu'il n'y ait pas trop de jeu longitudinal dans l'arbre de relâchement de tension ④.

Ajustar de manera que el borde inferior de la placa de liberación de tensión ① esté alineada con la parte superior (exterior) del disco de tensión del hilo ② cuando el cortahilos haya vuelto a su posición original.

1. Con el cortahilos en su posición original, aflojar el tornillo ③.
2. Mover el eje de liberación de tensión ④ hacia arriba y abajo para ajustar la posición de la placa de liberación de tensión ①.
3. Apretar el tornillo ③.
- * Apretar el tornillo ③ de manera que no haya demasiado juego longitudinal del eje de liberación de tensión ④.

11-4-2. Adjusting the thread take-up shaft
11-4-2. Einstellen der Fadenabnahmewelle
11-4-2. Réglage de la broche du releveur de fil
11-4-2. Ajuste de vástago de tirahilos



The distance from the bottom edge of the tension release guide ⑤ to the top of the retaining ring ⑦ on the thread take-up shaft ⑥ should be 8.5 mm.

1. Loosen the set screw ⑧, and then move the thread take-up shaft ⑥ up and down to adjust the distance.
2. Tighten the set screw ⑧.

Der Abstand zwischen der Unterkante der Spannungsverminderungsführung ⑤ und der Oberseite des Halterings ⑦ an der Fadenabnahmewelle ⑥ muß 8,5 mm betragen.

1. Lösen Sie die Schraube ⑧ und stellen Sie den Abstand durch vertikales Verschieben der Fadenabnahmewelle ⑥ ein.
2. Ziehen Sie die Schraube ⑧ fest.

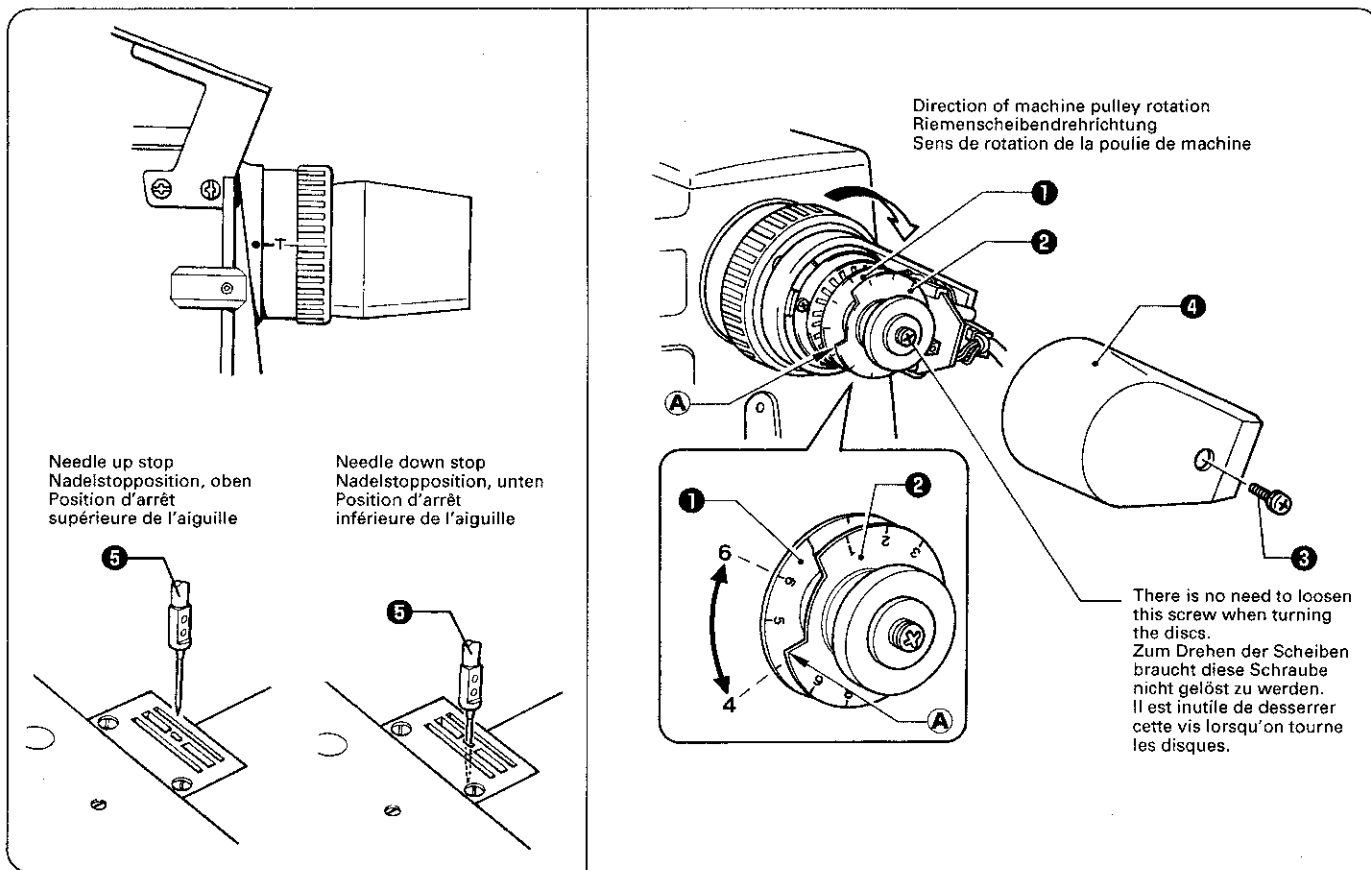
L'écart entre le bord inférieur du guide de relâchement de tension ⑤ et le haut de la bague de retenue ⑦ de l'arbre ⑥ de releveur de fil doit être de 8,5 mm.

1. Desserrer la vis de fixation ⑧, puis déplacer l'arbre ⑥ de releveur de fil vers le haut et le bas pour régler la distance.
2. Serrer la vis de fixation ⑧.

La distancia desde el borde inferior de la guía de liberación de tensión ⑤ a la parte de arriba del anillo de retención ⑦ en el eje del tirahilos ⑥ debe ser 8,5 mm.

1. Aflojar el tornillo de ajuste ⑧, y luego mover el eje del tirahilos ⑥ hacia arriba y abajo para ajustar la distancia.
2. Apretar el tornillo de ajuste ⑧.

11-5. Adjusting the synchronizer
 11-5. Einstellen des Synchronisators
 11-5. Réglage du synchroniseur



The synchronizer uses the two discs ① and ② to detect the needle position.

■ **Adjusting the needle up stop position (thread trimming signal position)**

When the sewing machine is set to stop in the needle up stop position, the needle bar ⑤ stops when the "T" mark on the machine pulley is aligned with the mark on the arm. (If the treadle is pressed when the needle bar ⑤ is in this position, a thread trimming signal is generated.)

* If the "T" mark is not aligned with the mark on the arm, thread trimming errors may result.

If the "T" mark is not correctly aligned, adjust by the following procedure.

1. Turn off the power switch.
2. Loosen the screw ③, and then remove the synchronizer cover ④.
3. Turn the needle up stop disc ① in the direction of machine pulley rotation to make the "T" mark stop in a position which is before the position it stopped at before adjustment. If the disc ① is turned in the opposite direction, the "T" mark will stop after the previous position.
4. Install the synchronizer cover ④ and tighten it with the screw ③.

■ **Adjusting the needle down stop position**

1. Turn off the power switch.
2. Loosen the screw ③, and then remove the synchronizer cover ④.
3. Turn the needle down stop disc ② to adjust so that corner A is in between the "4" and the "6" scale marks on the needle up stop disc ①.
 * If the needle down stop disc ② is turned in the direction of machine pulley rotation, the needle bar ⑤ will stop in a position which is before the position it stopped at before adjustment. If the disc ② is turned in the opposite direction, the needle bar ⑤ will stop after the previous position.
4. Install the synchronizer cover ④ and tighten it with the screw ③.

Der Synchronisator tastet die Nadelposition mit Hilfe der beiden Scheiben ❶ und ❷ ab.

■ **Einstellen der oberen Nadelstopposition (Position für Fadenabschneidesignal)**

Wenn die obere Nadelstopposition eingestellt ist, so stoppt die Nadelstange ❸ sobald die Markierung "T" der Motorriemenscheibe auf die Markierung am Arm ausgerichtet ist. (Wenn in dieser Nadelstangenposition das Pedal gedrückt wird, so wird ein Signal zum Abschneiden des Fadens erzeugt.)

* Falls die Markierung "T" nicht auf die Markierung am Arm ausgerichtet ist, so können Fehler beim Abschneiden des Fadens auftreten.

Stellen Sie eine Fehlausrichtung wie folgt ein.

1. Schalten Sie den Netzschalter aus.
2. Lösen Sie die Schraube ❸ und nehmen Sie die Synchronisatorabdeckung ❹ ab.
3. Drehen Sie die Scheibe ❶ für die obere Nadelstopposition in die Drehrichtung der Riemenscheibe, um die Markierung "T" für eine frühere Stopposition einzustellen. Beim Drehen der Scheibe ❶ in die Gegenrichtung wird eine spätere Stopposition eingestellt.
4. Bringen Sie die Synchronisatorabdeckung ❹ an und ziehen Sie die Schraube ❸ wieder fest.

■ **Einstellen der unteren Nadelstopposition**

1. Schalten Sie den Netzschalter aus.
2. Lösen Sie die Schraube ❸ und nehmen Sie die Synchronisatorabdeckung ❹ ab.
3. Drehen Sie die Scheibe ❷ für die untere Nadelstopposition, um die Ecke A zwischen die Skalenmarkierungen "4" und "6" der Scheibe ❶ für die obere Nadelstopposition einzustellen.
 - * Wenn die Scheibe ❷ für die untere Nadelstopposition in die Drehrichtung der Riemenscheibe gedreht wird, so stoppt die Nadelstange ❸ in einer früheren Position. Beim Drehen der Scheibe ❷ in die Gegenrichtung stoppt die Nadelstange ❸ in einer späteren Stopposition.
4. Bringen Sie die Synchronisatorabdeckung ❹ an und ziehen Sie die Schraube ❸ wieder fest.

Le synchroniseur utilise deux disques ❶ et ❷ pour détecter la position de l'aiguille.

■ **Régler la position d'arrêt supérieure de l'aiguille (position de signal de coupe du fil)**

Lorsqu'on règle la machine pour qu'elle s'arrête en position d'aiguille relevée, la barre à aiguille ❸ s'arrête lorsque le repère "T" marqué sur la poulie de machine est aligné sur le repère marqué sur le bras. (Si l'on appuie sur la pédale lorsque la barre à aiguille ❸ est à cette position, un signal de coupe du fil est produit.)

* Si le repère "T" n'est pas aligné sur le repère marqué sur le bras, des anomalies de coupe du fil pourront être produites.

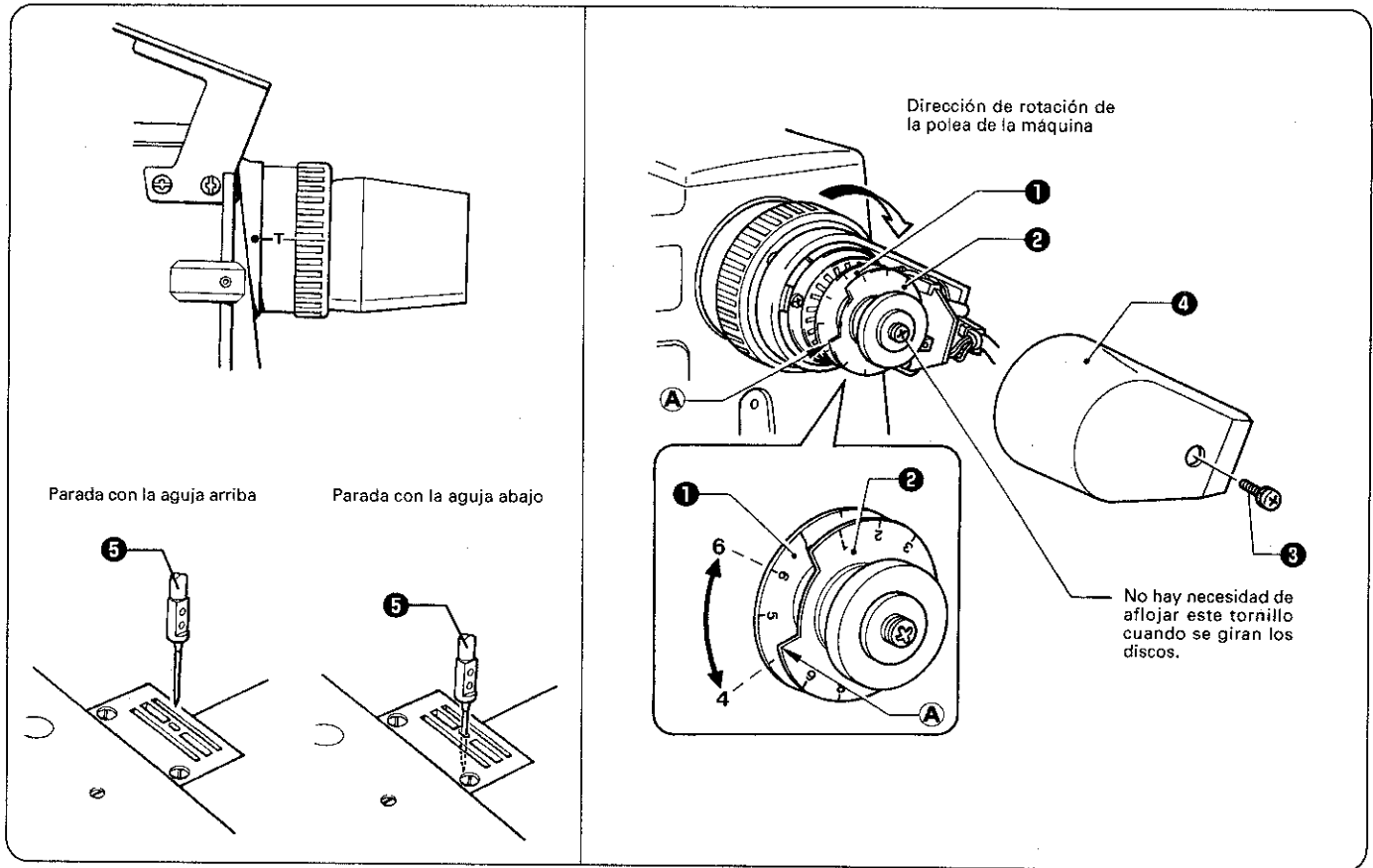
Si le repère "T" n'est pas correctement aligné, régler en procédant de la manière suivante.

1. Mettre l'interrupteur d'alimentation sur la position d'arrêt.
2. Desserrer la vis ❸ puis déposer le couvercle ❹ du synchroniseur.
3. Tourner le disque ❶ d'arrêt supérieur de l'aiguille dans le sens de rotation de la poulie de machine de manière que le repère "T" s'arrête à la position précédant la position à laquelle il était arrêté avant qu'on effectue le réglage.
 - Si le disque ❶ est tourné en sens contraire, le repère "T" s'arrêtera après la position précédente.
4. Poser le couvercle ❹ du synchroniseur et le serrer à l'aide de la vis ❸.

■ **Réglage de la position d'arrêt inférieure de l'aiguille**

1. Mettre l'interrupteur d'alimentation sur la position d'arrêt.
2. Desserrer la vis ❸ puis déposer le couvercle ❹ du synchroniseur.
3. Tourner le disque ❷ d'arrêt inférieur de l'aiguille pour régler de manière que le coin A soit placé entre les repères "4" et "6" de l'échelle marqués sur le disque ❶ d'arrêt supérieur de l'aiguille.
 - * Si le disque ❷ d'arrêt inférieur de l'aiguille est tourné dans le sens de rotation de la poulie de machine, la barre à aiguille ❸ s'arrêtera à la position précédant la position à laquelle elle était arrêtée avant qu'on effectue le réglage. Si le disque ❷ est tourné en sens contraire, la barre à aiguille ❸ s'arrêtera après la position précédente.
4. Poser le couvercle ❹ du synchroniseur et le serrer à l'aide de la vis ❸.

11-5. Ajuste del sincronizador



El sincronizador usa dos discos ① y ② para detectar la posición de la aguja.

■ Ajuste de la posición de parada con la aguja arriba (posición de señal de corte de hilo)

Cuando la máquina de coser se ajusta para parar en la posición con la aguja arriba, la barra de agujas ⑤ para cuando la marca "T" en la polea de la máquina está alineada con la marca en el brazo. (Si se pisa el pedal cuando la barra de agujas ⑤ se encuentra en esta posición, se genera una señal de corte de hilo.)

* Si la marca "T" no está alineada con la marca en el brazo, podría resultar en un error de corte de hilo.

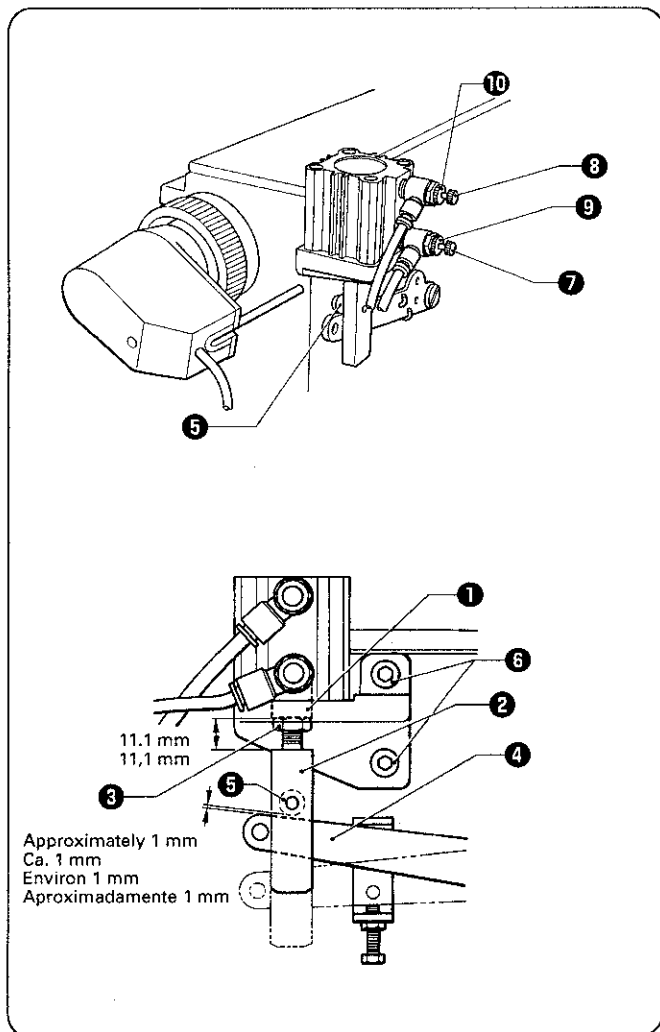
Si la marca "T" no está bien alineada, ajustar usando el siguiente procedimiento.

1. Desconectar el interruptor principal.
2. Aflojar el tornillo ③, y luego desmontar la cubierta del sincronizador ④.
3. Girar el disco de parada con la aguja arriba ① en la dirección de rotación de la polea de la máquina para hacer parar la marca "T" en una posición que se encuentra antes de la posición de parada antes de ajustar. Si el disco ① se gira en la dirección opuesta, la marca "T" parará después de la posición anterior. Instalar la cubierta del sincronizador ④ y apretarla con el tornillo ③.

■ Ajuste de la posición de parada con la aguja abajo

1. Desconectar el interruptor principal.
2. Aflojar el tornillo ③, y luego desmontar la cubierta del sincronizador ④.
3. Girar el disco de parada con la aguja abajo ② para ajustar de manera que la esquina A quede entre las marcas de medida "4" y la "6" en el disco de parada con la aguja arriba ①.
 * Si el disco de parada con la aguja abajo ② se gira en la dirección de rotación de la polea de la máquina, la barra de agujas ⑤ se parará en una posición que se encuentra antes de la posición de parada de antes de ajustar. Si el disco ② se gira en la dirección opuesta, la barra de agujas ⑤ parará después de la posición anterior.
4. Instalar la cubierta del sincronizador ④ y apretarla con el tornillo ③.

11-6. Adjusting the pneumatic-type presser foot lifter (UT23, option)
11-6. Einstellen des pneumatischen Stoffdrückerfußhebers (UT23, Sonderausrüstung)
11-6. Réglage du releveur de presseur pneumatique (UT23, option)
11-6. Ajuste del elevador de prensatelas de tipo neumático (UT23, opción)



1. Loosen the nut ③ and turn the plunger ① to adjust so that the gap between the surface of the plunger ① of the air cylinder and the surface of the presser foot connecting rod ② is 11.1mm.
2. Loosen the bolt ⑥ and adjust so that the gap between the roller ⑤ and presser lifter lever R ④ is approximately 1 mm when presser lifter lever R ④ is raised to the highest position.
3. The speed at which the presser foot rises can be adjusted by means of speed controller ⑦, and the speed at which it drops can be adjusted by means of speed controller ⑧. Loosen the nuts ⑨ and ⑩ and turn the knobs ⑦ and ⑧ first to the left (speed becomes faster), and then back gradually to the right (speed becomes slower) to adjust.
 * If the speed at which the presser foot drops is too slow, the machine pulley may turn before the presser foot applies pressure to the material.

1. Die Mutter ③ lösen und die Stange ① zum Einstellen drehen, so daß der Abstand zwischen der Stangenfläche ① des Druckluftzylinders und der Fläche der Stoffdrückerfußheberstange ② 11,1 mm beträgt.
2. Die Schraube ⑥ lösen und den Abstand zwischen der Rolle ⑤ und dem Stoffdrückerfußhebel R ④ auf etwa 1 mm einstellen, wenn der Stoffdrückerfußhebel R ④ vollständig angehoben ist.
3. Die Anhebegeschwindigkeit des Stoffdrückerfußes kann mit dem Geschwindigkeitsregler ⑦ und die Absenkgeschwindigkeit kann mit dem Geschwindigkeitsregler ⑧ eingestellt werden. Die Muttern ⑨ und ⑩ lösen und die Knöpfe ⑦ und ⑧ zuerst nach links drehen, so daß die Geschwindigkeit erhöht wird; danach die Knöpfe zum Einstellen der Geschwindigkeit langsam zurückdrehen, um die Geschwindigkeit wieder zu vermindern.
 * Falls die Absenkgeschwindigkeit des Stoffdrückerfußes zu langsam ist, beginnt sich die Riemenscheibe schon zu drehen, wenn das Nähgut noch nicht mit dem Stoffdrückerfuß festgehalten wird.

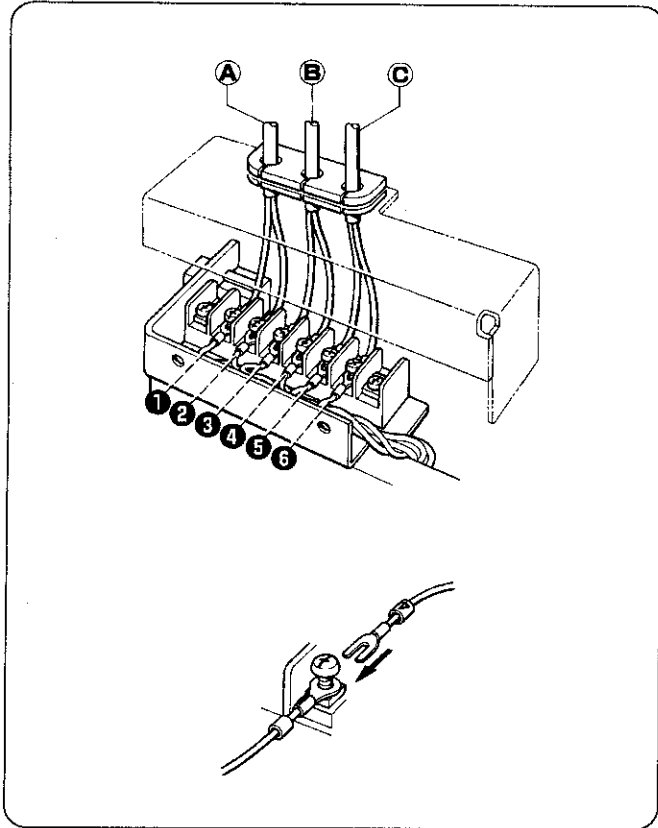
1. Desserrer l'écrou ③ et tourner le plongeur ① de façon que l'écart entre la surface du plongeur ① du cylindre à air et la surface de la tige de connexion ② du pied presseur soit de 11,1 mm.
2. Desserrer le boulon ⑥ et régler de façon que l'écart entre le rouleau ⑤ et le levier R ④ du releveur de presseur soit d'environ 1 mm lorsque le levier R ④ du releveur de presseur est relevé à sa position la plus haute.
3. La vitesse à laquelle le pied presseur se relève peut être réglée au moyen du dispositif ⑦ de contrôle de vitesse, et la vitesse à laquelle il s'abaisse peut être réglée au moyen du dispositif ⑧ de contrôle de vitesse. Pour effectuer le réglage, desserrer les écrous ⑨ et ⑩ et tourner les boutons ⑦ et ⑧ d'abord vers la gauche (la vitesse augmente), puis graduellement vers la droite (la vitesse diminue).
 * Si la vitesse d'abaissement du pied presseur est trop faible, la poulie de machine risque de tourner avant que le pied presseur ait pressé le tissu.

1. Aflojar la tuerca ③ y girar el émbolo ① para ajustar de forma que la separación entre la superficie del émbolo ① del cilindro de aire y la superficie de la varilla de conexión del pie del prensatelas ② sea 11,1 mm.
2. Aflojar el perno ⑥ y ajustar de forma que la separación entre el rodillo ⑤ y la palanca R del elevador del prensatelas ④ sea aproximadamente 1 mm cuando se levanta la palanca R del elevador del prensatelas ④ completamente hacia arriba.
3. La velocidad a la cual el pie del prensatelas se puede ajustar usando el controlador de velocidad ⑦, y la velocidad a la cual baja se puede ajustar usando el controlador de velocidad ⑧. Aflojar las tuercas ⑨ y ⑩ y girar las perillas ⑦ y ⑧ primero hacia la izquierda (la velocidad aumenta) y luego gradualmente hacia la derecha (la velocidad disminuye) para ajustar.
 * Si la velocidad a la que baja el pie del prensatelas es demasiado lenta, la polea de la máquina puede girar antes que el pie del prensatelas haga presión sobre el material.

11. STANDARD ADJUSTMENTS
 11. STANDARDEINSTELLUNGEN
 11. REGLAGES STANDARD
 11. AJUSTES ESTANDARES

11-7. Connection of each cord
 11-7. Anschließen der Kabel
 11-7. Raccordement des câbles
 11-7. Conexión de cada cable

- The cords for each device are connected as shown below. (Condition at time of shipment)
- Die Kabel der einzelnen Vorrichtungen sind wie folgt angeschlossen. (Zustand bei der Auslieferung der Maschine)
- Les cordons de chacun des dispositifs sont raccordés comme indiqué ci-dessous. (Etat au moment de l'expédition)
- Las cuerdas para cada dispositivo están conectadas tal como se indica a continuación. (Condición al momento de salir de fábrica)



A	Thread trimmer	1 , 2
B	Safety switch	Black 3 , white 4
C	Solenoid-type thread wiper (option)	5 , 6









A	Fadenabschneider	1 , 2
B	Sicherheitsschalter	schwarz 3 , weiß 4
C	Solenoid-Fadenwischer (Sonderausrüstung)	5 , 6

A	Coupe-fils	1 , 2
B	Interrupteur de sécurité	Noir 3 , blanc 4
C	Tire-fils à solénoïde (option)	5 , 6

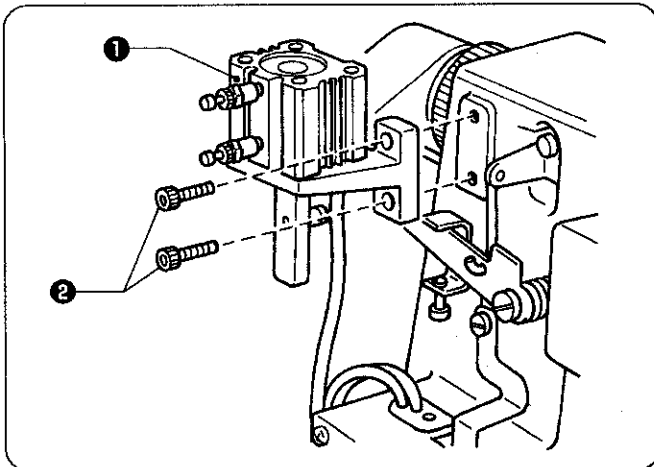
A	Cortahilos	1 , 2
B	Interruptor de seguridad	Negro 3 , Blanco 4
C	Limpiahilos de tipo solenoide (opción)	5 , 6

12. INSTALLING OPTIONAL PARTS 12. ANBRINGEN VON ZUBEHÖRTEILEN 12. INSTALLATION DES PIÈCES EN OPTION 12. INSTALACION DE PIEZAS OPCIONALES

⚠ CAUTION/ACHTUNG/ATTENTION/ATENCIÓN

- | | |
|-------------------------------------------------------------------------------------|-------------------------------------------------------------------------------------------------------------------------------------------------------------------------------------------------------------------------------------------------------------|
|  | • Installation of optional parts should only be carried out by a qualified technician. |
|  | • Turn off the power switch and disconnect the power cord before installing any optional parts, otherwise the machine will operate if the treadle is pressed by mistake, which could result in injury. |
|  | • Zubehörteile dürfen nur von einem qualifizierten Fachmann installiert werden. |
|  | • Vor der Installation von Zubehörteilen muß der Netzschalter ausgeschaltet und das Netzkabel aus der Steckdose gezogen werden, weil sonst durch eine unbeabsichtigte Betätigung des Pedals die Maschine in Gang gesetzt und Verletzungen verursachen kann. |
|  | • L'installation des pièces en option doit être confiée exclusivement à un technicien qualifié. |
|  | • Couper l'alimentation électrique et débrancher le cordon d'alimentation avant d'installer les pièces en option, sinon la machine risquera de se mettre en marche si on enfonce accidentellement la pédale, et donc de causer des blessures. |
|  | • La instalación de las piezas opcionales debe ser realizado por personal técnico calificado. |
|  | • Desconectar el interruptor principal y desconectar el cable de alimentación antes de cambiar las piezas opcionales, de lo contrario la máquina podría comenzar a funcionar si por descuido se pisara el pedal, lo que podría resultar en heridas. |

12-1. Pneumatic-type presser foot lifter 12-1. Pneumatischer Stoffdrückerfußheber 12-1. Releveur de presseur pneumatique 12-1. Elevador de prensatelas de tipo neumático



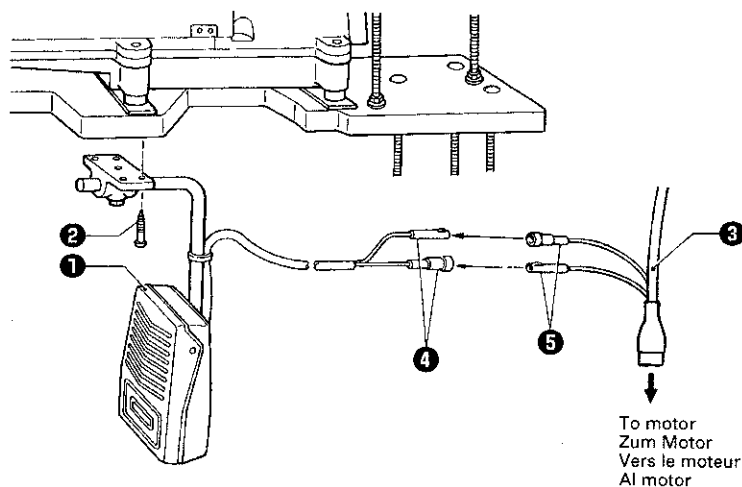
1. Install the pneumatic-type presser foot lifter ❶ to the machine body with the two bolts ❷.
 2. Install the presser lifter valve assembly and tubes while referring to page 21.
 3. Adjust the installation positions while referring to page 92.
1. Befestigen Sie den pneumatischen Stoffdrückerfußheber ❶ mit den beiden Schrauben ❷ an der Maschine.
 2. Montieren Sie das Stoffdrückerfußheberventil und die Leitung wie auf Seite 21 gezeigt.
 3. Stellen Sie die Montageposition wie auf Seite 92 gezeigt ein.
1. Installer le releveur de pied presseur pneumatique ❶ sur le corps de machine à l'aide des deux boulons ❷.
 2. Installer l'ensemble de soupape de releveur de pied presseur et les tuyaux en se reportant à la page 21.
 3. Régler les positions d'installation en se reportant à la page 92.
1. Instalar el levantador de prensatelas de tipo neumático ❶ en el cuerpo de la máquina con dos pernos ❷.
 2. Instalar el conjunto de la válvula del levantador de prensatelas y tubos consultando la página 21.
 3. Ajustar las posiciones de instalación consultando la página 92.

12. INSTALLING OPTIONAL PARTS
12. ANBRINGEN VON ZUBEHÖRTEILEN
12. INSTALLATION DES PIÈCES EN OPTION
12. INSTALACION DE PIEZAS OPCIONALES

12-2. Solenoid-type presser foot lifter
12-2. Solenoid-stoffdrückerfußheber
12-2. Releveur de presseur à solénoïde
12-2. Elevador de prensatelas de tipo solenoide

Refer to page 17.
Siehe Seite 17.
Se reporter à la page 17.
Consultar la página 17.

12-3. Knee switch
12-3. Knieschalters
12-3. Interrupteur au genou
12-3. Interruptor de rodilla



1. Install the knee switch ① to the machine head support with the round screw ②.
2. Connect the cord ③ of the solenoid-type or pneumatic-type presser foot lifter to the motor. (Refer to the Instruction Manual for the motor.)
3. Connect the plug ④ of the knee switch ① and the plug ⑤ of the cord ③ as shown in the illustration.









1. Bringen Sie den Knieschalter ① mit der Rundkopfschraube ② am Abstützung des Maschinenoberteils an.
2. Schließen Sie das Kabel ③ des Solenoid- oder des pneumatischen Stoffdrückerfußhebers am Motor an. (Siehe Bedienungsanleitung des Motors.)
3. Schließen Sie den Stecker ④ des Knieschalters ① und den Stecker ⑤ des Kabels ③ wie in der Abbildung gezeigt an.

1. Installer l'interrupteur au genou ① sur la support de tête de machine à l'aide de la vis ronde ②.
2. Raccorder le cordon ③ du releveur de pied presseur à solénoïde ou pneumatique au moteur. (Se reporter au mode d'emploi du moteur.)
3. Raccorder la fiche ④ de l'interrupteur au genou ① et la fiche ⑤ du cordon ③ comme indiqué sur l'illustration.

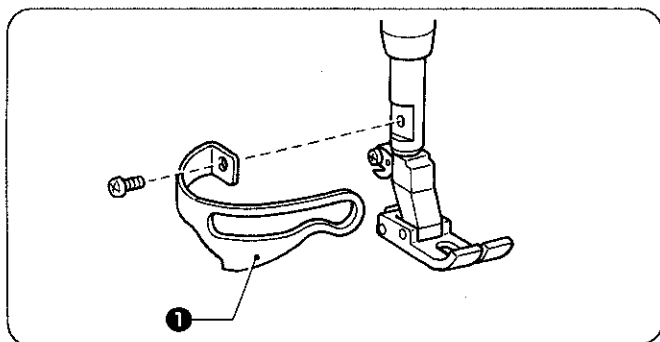
1. Instalar el interruptor de rodilla ① en la Soporte de la cabeza de la máquina con el tornillo redondo ②.
2. Conectar el cable ③ del levantador del prensatelas de tipo solenoide o neumático al motor. (Consultar el manual de instrucciones del motor.)
3. Conectar el enchufe ④ del interruptor de rodilla ① y el enchufe ⑤ del cable ③ tal como se indica en la figura.

12-4. Solenoid-type thread wiper
 12-4. Solenoid Fadenwischer
 12-4. Tire-fils à solénoïde
 12-4. Limpiahilos de tipo solenoide

⚠ CAUTION/ACHTUNG/ATTENTION/ATENCIÓN

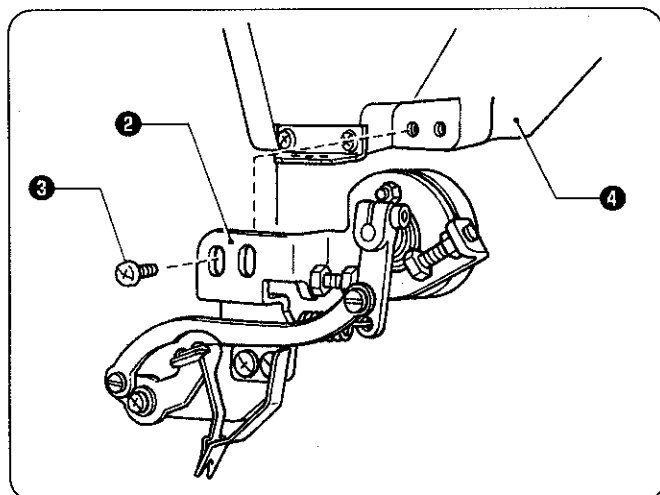
-  • Installation of optional parts should only be carried out by a qualified technician.
-  • Turn off the power switch and disconnect the power cord before installing any optional parts, otherwise the machine will operate if the treadle is pressed by mistake, which could result in injury.
-  • Zubehörteile dürfen nur von einem qualifizierten Fachmann installiert werden.
-  • Vor der Installation von Zubehörteilen muß der Netzschalter ausgeschaltet und das Netzkabel aus der Steckdose gezogen werden, weil sonst durch eine unbeabsichtigte Betätigung des Pedals die Maschine in Gang gesetzt und Verletzungen verursachen kann.
-  • L'installation des pièces en option doit être confiée exclusivement à un technicien qualifié.
-  • Couper l'alimentation électrique et débrancher le cordon d'alimentation avant d'installer les pièces en option, sinon la machine risquera de se mettre en marche si on enfonce accidentellement la pédale, et donc de causer des blessures.
-  • La instalación de las piezas opcionales debe ser realizado por personal técnico calificado.
-  • Desconectar el interruptor principal y desconectar el cable de alimentación antes de cambiar las piezas opcionales, de lo contrario la máquina podría comenzar a funcionar si por descuido se pisara el pedal, lo que podría resultar en heridas.

12-4-1. Installation
 12-4-1. Einbau



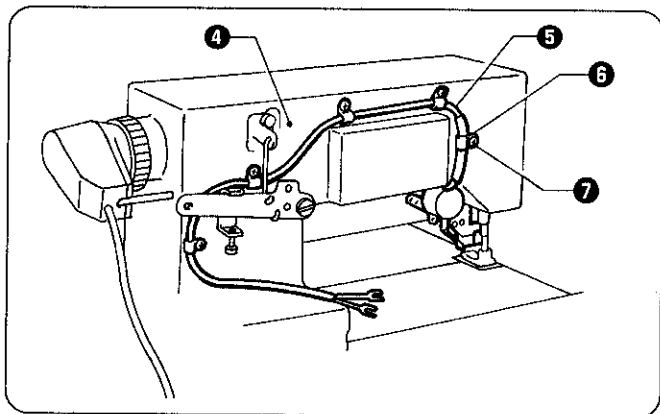
12-4-1. Installation
 12-4-1. Instalación

1. Replace the finger guard with finger guard C ① (S28800-001).
1. Tauschen Sie den Fingerschutz gegen den Fingerschutz C ① (S28800-001) aus.
1. Remplacer le protège-doigts par le protège-doigts C ① (S28800-001).
1. Volver a colocar el protector de dedos con el protector de dedos C ① (S28800-001).



2. Carry out the procedure in "Adjusting the standby position of the thread wiper" while referring to page 99.
3. Provisionally install the solenoid-type thread wiper unit ② to the arm ④ with the two screws ③.
2. Führen Sie die Einstellungen wie im Abschnitt "Einstellen der Fadenwischerbereitschaftsstellung" auf Seite 99 beschrieben aus.
3. Bringen Sie den Solenoid-Fadenwischer ② mit den beiden Schrauben ③ provisorisch am Arm ④ an.
2. Effectuer la procédure décrite à la section "Réglage de la position d'attente du tire-fils" en se reportant à la page.99.
3. Installer provisoirement le tire-fils à solénoïde ② sur le bras ④ à l'aide des deux vis ③.
2. Realizar el procedimiento indicado en "Ajuste de la posición de espera del limpiahilos" consultando la página 99.
3. Instalar provisoriamente el limpiahilos de tipo solenoide ② al brazo ④ con los dos tornillos ③.

12. INSTALLING OPTIONAL PARTS
12. ANBRINGEN VON ZUBEHÖRTEILEN
12. INSTALLATION DES PIÈCES EN OPTION
12. INSTALACION DE PIEZAS OPCIONALES

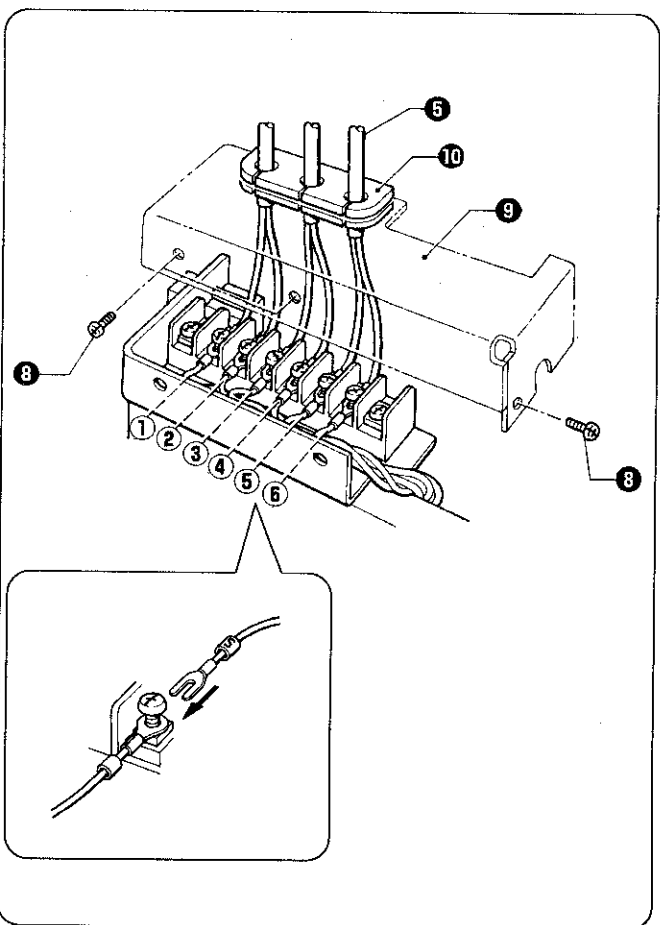


4. Pass the cord **5** through the five cord holders **6**, and then secure the cord holders **6** to the arm **4** with the five screws **7**.

4. Führen Sie das Kabel **5** durch die fünf Kabelhalter **6**, und befestigen Sie die Kabelhalter **6** mit den fünf Schrauben **7** am Arm **4**.

4. Passer le cordon **5** par les cinq supports de cordon **6**, puis fixer les supports de cordon **6** sur le bras **4** à l'aide des cinq vis **7**.

4. Pasar el cable **5** a través de los cinco soportes de cable **6**, y luego asegurar los soportes de cable **6** al brazo **4** con los cinco tornillos **7**.



5. Remove the three screws **8**, and then remove the connector cover **9**.

6. Insert the thread wiper cord **5** into the cord bushing **10**.

7. Connect the thread wiper cord **4** to terminals **5** and **6**.

8. Place the cord bushing **10** into the connector cover **9**, and then install the connector cover **9** with the screws **8**.

9. Adjust the thread wiper while referring to pages 100 - 102.

5. Entfernen Sie die drei Schrauben **8** und nehmen Sie die Steckerabdeckung **9** ab.

6. Stecken Sie das Fadenwischerkabel **5** in die Kabelbuchse **10**.

7. Schließen Sie das Fadenwischerkabel **5** an den Buchsen **5** und **6** an.

8. Stecken Sie die Kabelbuchse **10** in die Steckerabdeckung **9** und befestigen Sie die Steckerabdeckung **9** mit den Schrauben **8**.

9. Stellen Sie den Fadenwischer wie auf den Seiten 100 bis 102 beschrieben ein.

5. Retirer les trois vis **8**, puis retirer le couvercle **9** du connecteur.

6. Insérer le cordon **5** du tire-fils dans la douille **10** du cordon.

7. Raccorder le cordon **5** du tire-fils aux bornes **5** et **6**.

8. Placer la douille **10** du cordon dans le couvercle **9** du connecteur, puis installer le couvercle **9** du connecteur à l'aide des vis **8**.

9. Régler le tire-fils en se reportant aux pages 100 à 102.

5. Desmontar los tres tornillos **8**, y luego desmontar la cubierta del conector **9**.

6. Insertar el cable del tirahilos **5** en el buje del cable **10**.

















7. Conectar el cable del tirahilos **5** a los terminales **5** y **6**.

8. Colocar el buje del cable **10** en la cubierta del conector **9**, y luego instalar la cubierta del conector **9** con los tornillos **8**.

9. Ajustar limpiahilos consultando la páginas 100 - 102.

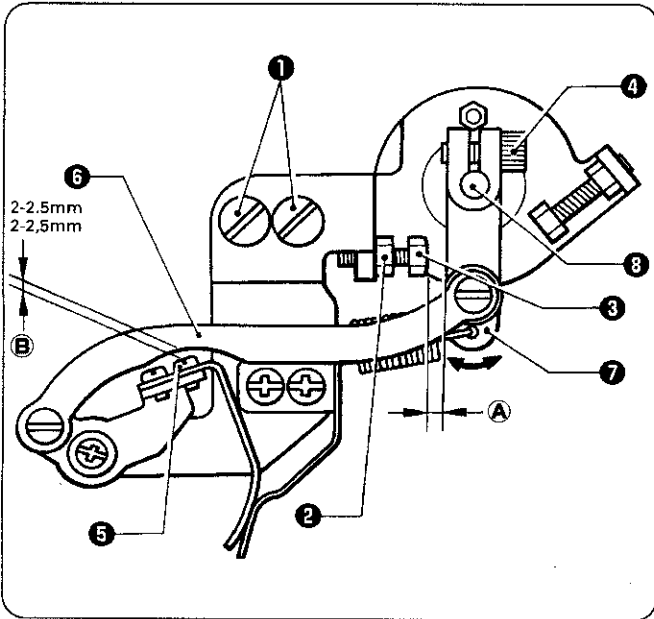
12-4-2. Adjusting the thread wiper
 12-4-2. Einstellen des Fadenwischers
 12-4-2. Réglage du tire-fils
 12-4-2. Ajuste del limpiahilos

⚠ CAUTION/ACHTUNG/ATTENTION/ATENCIÓN

<ul style="list-style-type: none">  • Maintenance and inspection of the sewing machine should only be carried out by a qualified technician.  • Ask your Brother dealer or a qualified electrician to carry out any maintenance and inspection of the electrical system. 	<ul style="list-style-type: none">  • Turn off the power switch and disconnect the power cord from the wall outlet before carrying out any adjustments, otherwise the machine may operate if the treadle is depressed by mistake, which could result in injury.  • If any safety devices have been removed, be absolutely sure to re-install them to their original positions and check that they operate correctly before using the machine.
<ul style="list-style-type: none">  • Die Wartung und Inspektion darf nur durch einen qualifizierten Fachmann ausgeführt werden.  • Wenden Sie sich für die Wartung und Inspektion des elektrischen Systems an Ihren Brother-Händler oder an einen qualifizierten Elektriker. 	<ul style="list-style-type: none">  • Schalten Sie den Netzschalter in den folgenden Fällen immer aus und ziehen Sie das Netzkabel aus der Steckdose, weil sonst Verletzungsgefahr besteht, wenn die Nähmaschine durch unbeabsichtigtes Betätigen des Pedals in Gang gesetzt wird.  • Falls Sicherheitsvorrichtungen entfernt wurden, müssen sie unbedingt wieder in den ursprünglichen Positionen montiert werden. Kontrollieren Sie vor der Inbetriebnahme die Sicherheitsvorrichtungen auf richtige Funktion.
<ul style="list-style-type: none">  • L'entretien et la vérification de la machine à coudre doivent être confiés exclusivement à un technicien qualifié.  • S'adresser à un concessionnaire Brother ou à un électricien qualifié pour effectuer des travaux d'entretien ou de vérification du système électrique. 	<ul style="list-style-type: none">  • Mettre l'interrupteur d'alimentation sur la position d'arrêt et débrancher le cordon d'alimentation de la prise murale avant d'entreprendre les réglages, sinon la machine risquera de se mettre en marche si on relâche la pédale par erreur, et on risquera alors de se blesser.  • Si des dispositifs de sécurité ont été déposés, veiller absolument à les remettre à leur place initiale et vérifier qu'ils fonctionnent correctement avant d'utiliser la machine.
<ul style="list-style-type: none">  • El mantenimiento y la inspección de la máquina debe ser realizado sólo por un técnico calificado.  • Consultar a su distribuidor Brother o un electricista calificado por cualquier trabajo de mantenimiento e inspección eléctrica que se debiera realizar. 	<ul style="list-style-type: none">  • Desconectar el interruptor principal y desenchufar el cable de alimentación del tomacorriente en la pared antes de realizar cualquier ajuste, de lo contrario la máquina podría comenzar a funcionar si por descuido se pisara el pedal, lo que podría resultar en heridas.  • Si se hubieran desmontado alguno de los dispositivos de seguridad, asegurarse de volver a instalarlos a su posición original y verificar que funcionan correctamente antes de usar la máquina.

12. INSTALLING OPTIONAL PARTS
12. ANBRINGEN VON ZUBEHÖRTEILEN
12. INSTALLATION DES PIÈCES EN OPTION
12. INSTALACION DE PIEZAS OPCIONALES

- Adjusting the thread wiper standby position
- Einstellen der Fadenwischerbereitschaftsstellung
- Réglage de la position d'attente du tire-fils
- Ajuste de la posición de espera del limpiahilos



This adjustment will be easier to carry out if you remove the two screws ① and remove the thread wiper from the arm.

1. Loosen the nut ②, and then screw in the bolt ③ so that the clearance ① becomes wider.
2. Loosen the bolt ④.
3. Move the thread wiper lever ⑦ so that the clearance between the head of the screw ⑤ and the thread wiper rod ⑥ is 2 - 2.5 mm, and then tighten the bolt ④. Tighten the bolt ④ at this time so that the front end of the thread wiper solenoid shaft ⑧ is almost flush with the front of the thread wiper lever ⑦.

Die Einstellung ist einfacher, wenn Sie zuerst die beiden Schrauben ① und den Fadenwischer vom Arm entfernen.

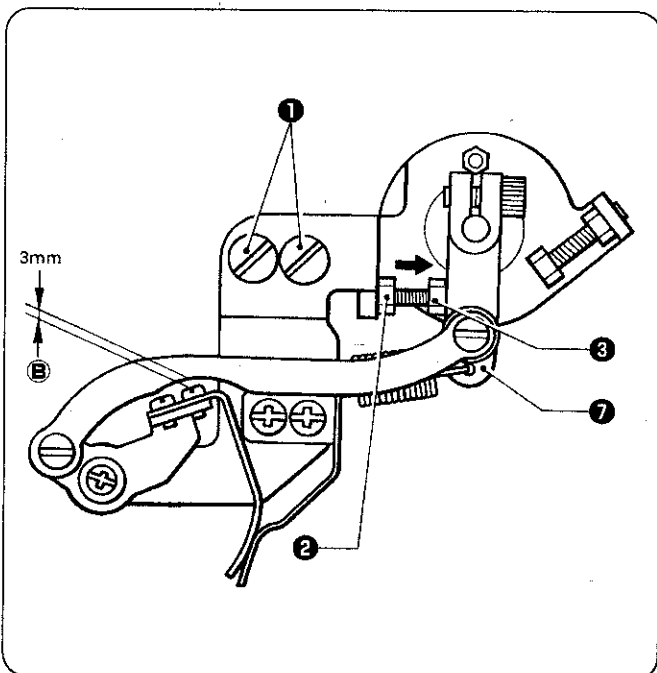
1. Lösen Sie die Mutter ② und schrauben Sie die Schraube ③ ein, so daß der Abstand ① größer wird.
2. Lösen Sie die Schraube ④.
3. Stellen Sie den Fadenwischerhebel ⑦ so ein, daß der Abstand zwischen dem Schraubenkopf ⑤ und der Fadenwischerstange ⑥ 2 bis 2,5 mm beträgt. Ziehen Sie die Schraube ④ wieder fest, so daß die Vorderseite der Fadenwischer magnetstange ⑧ fast bündig mit der Vorderseite des Fadenwischerhebels ⑦ ist.

Ce réglage sera plus facile à effectuer si l'on enlève les deux vis ① et si l'on retire le tire-fils du bras.

1. Desserrer l'écrou ②, puis serrer le boulon ③ de manière que l'écart ① devienne plus grand.
2. Desserrer le boulon ④.
3. Déplacer le levier ⑦ du tire-fils de manière que l'écart entre la tête de la vis ⑤ et la tige ⑥ du tire-fils soit compris entre 2 et 2,5 mm, puis serrer le boulon ④. Serrer le boulon ④ à ce moment de manière que l'extrémité avant de l'arbre ⑧ du solénoïde du tire-fils soit presque à fleur de l'avant du levier ⑦ du tire-fils.

Este ajuste será más fácil de realizar si se quitan los dos tornillos ① y se desmonta el limpiahilos del brazo.

1. Aflojar la tuerca ②, y luego atornillar el perno ③ de manera que la separación ① sea mayor.
2. Aflojar el perno ④.
3. Mover la palanca del limpiahilos ⑦ de manera que la separación entre la cabeza del tornillo ⑤ y la varilla del limpiahilos ⑥ sea 2 - 2,5 mm, y luego apretar el perno ④. Apretar el perno ④ en este momento de manera que el extremo delantero del eje de solenoide del limpiahilos ⑧ quede a nivel con la parte delantera de la palanca del limpiahilos ⑦.



4. Turn the bolt ③ so that the head of the bolt ③ pushes the thread wiper lever ⑦ to the right until the clearance ① becomes 3 mm.

5. Tighten the nut ②.

* If the thread wiper has been removed from the arm, install the thread wiper with the two screws ①.

4. Drehen Sie die Schraube ③, so daß der Schraubenkopf ③ gegen den Fadenwischerhebel ⑦ drückt und der Abstand ① 3 mm beträgt.

5. Ziehen Sie die Mutter ② fest.

* Falls der Fadenwischer vom Arm abgenommen wurde, müssen Sie den Fadenwischer wieder mit den beiden Schrauben ① anbringen.

4. Tourner le boulon ③ de manière que la tête du boulon ③ pousse le levier ⑦ du tire-fils vers la droite jusqu'à ce que l'écart ① soit de 3 mm.

5. Serrer l'écrou ②.

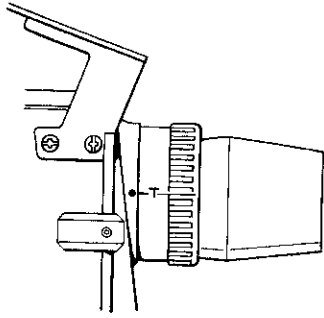
* Si le tire-fils a été retiré du bras, installer le tire-fils à l'aide des deux vis ①.

4. Girar el perno ③ de manera que la cabeza del perno ③ empuje la palanca del limpiahilos ⑦ hacia la izquierda hasta que la separación ① sea 3 mm.

5. Apretar la tuerca ②.

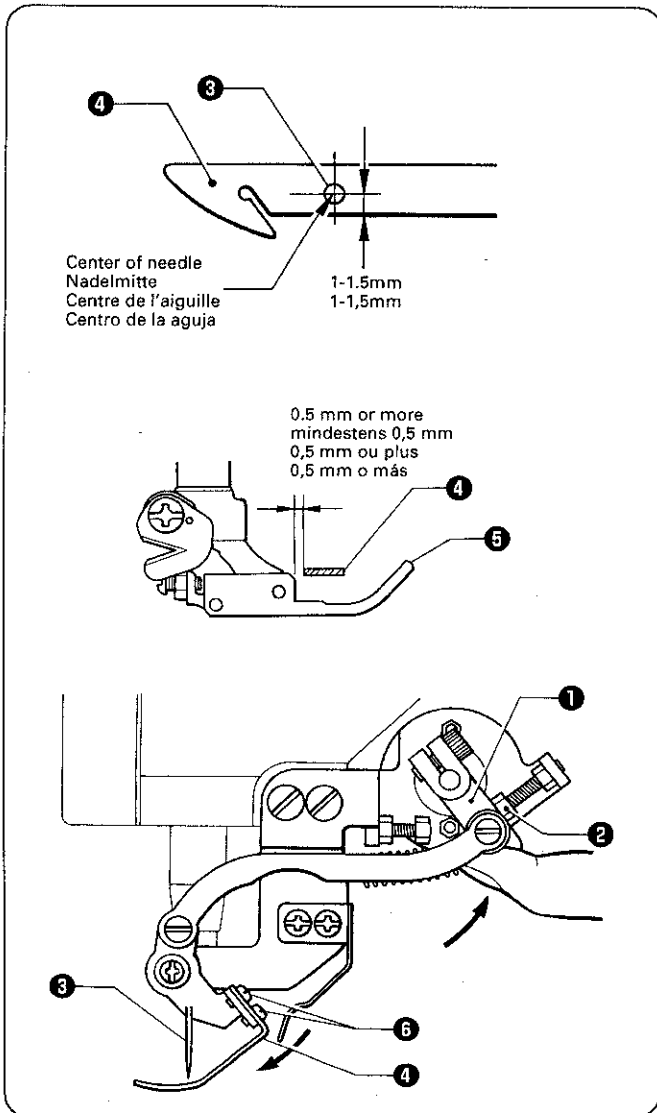
* Si el limpiahilos ha sido desmontado del brazo, instalar el limpiahilos con dos tornillos ①.

12. INSTALLING OPTIONAL PARTS
12. ANBRINGEN VON ZUBEHÖRTEILEN
12. INSTALLATION DES PIÈCES EN OPTION
12. INSTALACION DE PIEZAS OPCIONALES



- * Turn the machine pulley until the T mark on the pulley is aligned with the mark on the arm before carrying out any of the following adjustments.
- * Drehen Sie vor dem Ausführen der folgenden Einstellungen die Riemenscheibe, um die Riemenscheibenmarkierung T auf die Armmarkierung auszurichten.
- * Tourner la poulie de machine jusqu'à ce que le repère T marqué sur la poulie soit aligné sur le repère marqué sur le bras avant d'entreprendre l'un quelconque des réglages suivants.
- * Girar la polea de la máquina hasta que la marca T en la polea quede alineada con la marca en el brazo antes de realizar los siguientes ajustes.

- **Adjusting the forward/back position of the thread wiper**
- **Einstellen der Fadenwischerposition nach vorne oder hinten**
- **Réglage de la position avant/arrière du tire-fils**
- **Ajuste la posición hacia adelante/atrás del limpiahilos**



The front of the thread wiper ④ should be 1 - 1.5 mm in front of the center of the needle ③ when the thread wiper lever ① is pushed to the right so that it is touching the head of the bolt ②.

Check that the clearance between the back of the thread wiper ④ and the presser foot ⑤ is 0.5 mm or more at this time.

1. Loosen the two screws ⑥, and then move the thread wiper ④ to adjust its position.
2. Tighten the screws ⑥.

Die Vorderseite des Fadenwischers ④ sollte sich 1 - 1,5 mm vor der Mitte der Nadel ③ befinden, wenn der Fadenwischerhebel ① nach rechts gedrückt wird, so daß er den Schraubenkopf ② berührt.

Kontrollieren Sie, ob der Abstand zwischen der Rückseite des Fadenwischers ④ und dem Stoffdrückerfuß ⑤ mindestens 0,5 mm beträgt.

1. Lösen Sie die beiden Schrauben ⑥ und stellen Sie die Position des Fadenwischers ④ ein.
2. Ziehen Sie die Schrauben ⑥ wieder fest.

L'avant du tire-fils ④ doit être situé à 1 - 1,5 mm devant le centre de l'aiguille ③ lorsqu'on pousse le levier ① du tire-fils vers la droite de manière qu'il entre en contact avec la tête du boulon ②.

Vérifier si l'écart entre l'arrière du tire-fils ④ et le pied presseur ⑤ est bien de 0,5 mm ou plus à ce moment.

1. Desserrer les deux vis ⑥, puis déplacer le tire-fils ④ pour régler sa position.
2. Serrer les vis ⑥.

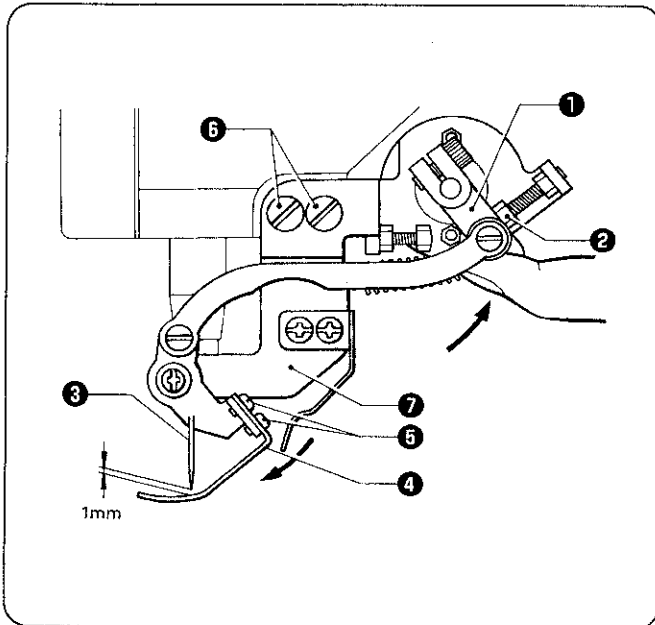
El limpiahilos delantero ④ debe estar 1 - 1,5 mm delante del centro de la aguja ③ cuando la palanca del limpiahilos ① se empuja hacia la derecha de manera esté tocando la cabeza del perno ②.

Verificar que la separación entre la parte de atrás del limpiahilos ④ y el prensatelas ⑤ sea 0,5 mm o más en este momento.

1. Aflojar los dos tornillos ⑥, y luego mover el limpiahilos ④ para ajustar su posición.
2. Apretar los tornillos ⑥.

12. INSTALLING OPTIONAL PARTS
12. ANBRINGEN VON ZUBEHÖRTEILEN
12. INSTALLATION DES PIÈCES EN OPTION
12. INSTALACION DE PIEZAS OPCIONALES

- Adjusting the height of the thread wiper
- Einstellen der Fadenwischerhöhe
- Réglage de la hauteur du tire-fils
- Ajuste de la altura del limpiahilos



The distance from the needle ③ to the thread wiper ④ should be 1 mm when the thread wiper lever ① is pushed to the right so that it is touching the head of the bolt ②.

1. Loosen the two screws ⑥, and then move the thread wiper bracket ⑦ to adjust the position.
2. Tighten the screws ⑥.

Der Abstand zwischen der Nadel ③ zum Fadenwischer ④ sollte 1 mm betragen, wenn der Fadenwischerhebel ① nach rechts gedreht wird bis er den Schraubenkopf ② berührt.

1. Lösen Sie die beiden Schrauben ⑥ und stellen Sie die Position der Fadenwischerhalterung ⑦ ein.
2. Ziehen Sie die Schrauben ⑥ wieder fest.

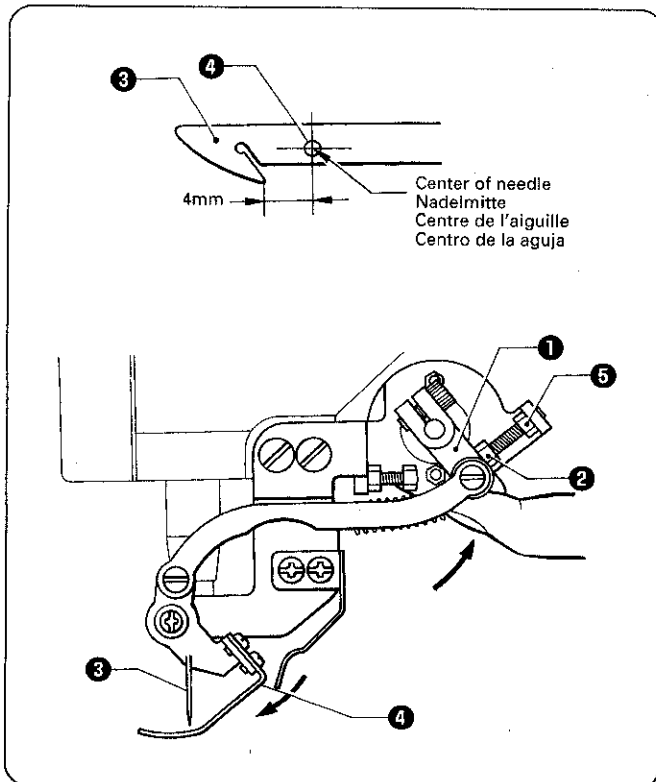
L'écart entre l'aiguille ③ et le tire-fils ④ doit être de 1 mm lorsqu'on pousse le levier ① du tire-fils vers la droite de manière qu'il entre en contact avec la tête du boulon ②.

1. Desserrer les deux vis ⑥, puis déplacer le support ⑦ du tire-fils pour régler la position.
2. Serrer les vis ⑥.

La distancia de la aguja ③ al limpiahilos ④ debe ser 1 mm cuando la palanca del limpiahilos ① se empuja hacia la derecha de manera esté tocando la cabeza del perno ②.

1. Aflojar los dos tornillos ⑥, y luego mover la ménsula del limpiahilos ⑦ para ajustar la posición.
2. Apretar los tornillos ⑥.

- Adjusting the stroke of the thread wiper
- Einstellen des Fadenwischerhubs
- Réglage de la course du tire-fils
- Ajuste el recorrido del limpiahilos



The distance from the end of the hook of the thread wiper ④ to the center of the needle ③ should be 4 mm when the thread wiper lever ① is pushed to the right so that it is touching the head of the bolt ②.

1. Loosen the nut ⑤, and then turn the bolt ② to adjust the position.
2. Tighten the nut ⑤.

Der Abstand zwischen der Hakenspitze des Fadenwischers ④ zur Nadelmitte ③ sollte 4 mm betragen, wenn der Fadenwischerhebel ① nach rechts gedrückt wird, bis er den Schraubenkopf ② berührt.

1. Lösen Sie die Mutter ⑤ und drehen Sie zum Einstellen der Position die Schraube ②.
2. Ziehen Sie die Mutter ⑤ wieder fest.

L'écart entre l'extrémité du crochet du tire-fils ④ et le centre de l'aiguille ③ doit être de 4 mm lorsqu'on pousse le levier ① du tire-fils vers la droite de manière qu'il entre en contact avec la tête du boulon ②.

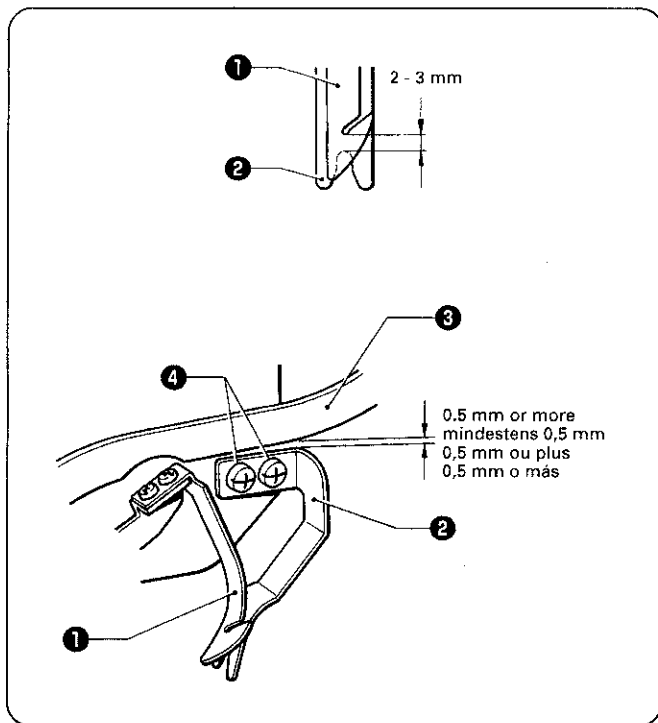
1. Desserrer l'écrou ⑤, puis tourner le boulon ② pour régler la position.
2. Serrer l'écrou ⑤.

La distancia desde el extremo del gancho del limpiahilos ④ hacia el centro de la aguja ③ debe ser 4 mm cuando la palanca del limpiahilos ① se empuja hacia la derecha de manera esté tocando la cabeza del perno ②.

1. Aflojar la tuerca ⑤, y luego girar el perno ② para ajustar la posición.
2. Apretar la tuerca ⑤.

12. INSTALLING OPTIONAL PARTS
12. ANBRINGEN VON ZUBEHÖRTEILEN
12. INSTALLATION DES PIÈCES EN OPTION
12. INSTALACION DE PIEZAS OPCIONALES

- Adjusting the position of the thread clamp spring
- Einstellen der Position der Fadengreiferfeder
- Réglage de la position du ressort du pince-fil
- Ajuste de la posición del resorte de la pinza del hilo



The distance from the end of the hook of the thread wiper ① to the fork of the thread clamp spring ② should be 2 - 3 mm when the thread wiper ① has returned.

Leave a clearance of 0.5 mm or more at this time so that the thread wiper rod ③ and the thread clamp spring ② do not touch.

1. Loosen the screw ④, and then move the thread clamp spring ② up and down to adjust the position.

2. Tighten the screw ④.

* Check that the thread wiper ① gently holds the thread when the thread wiper ① returns.

Der Abstand zwischen der Spitze des Fadenwischerhakens ① und der Gabel der Fadengreiferfeder ② muß nach dem Zurückstellen des Fadenwischers 2 bis 3 mm betragen. Halten Sie einen Abstand von mindestens 0,5 mm ein, so daß sich die Fadenwischerstange ③ und die Fadengreiferfeder ② nicht berühren.

1. Lösen Sie die Schraube ④ und stellen Sie die Position der Fadengreiferfeder ② ein.

2. Ziehen Sie die Schraube ④ wieder fest.

* Kontrollieren Sie, ob der Faden beim Zurückstellen des Fadenwischers ① leicht vom Fadenwischer ① festgehalten wird.

La distancia entre l'extrémité du crochet du tire-fils ① et la fourche du ressort ② du pince-fil doit être comprise entre 2 et 3 mm lorsque le tire-fils ① est revenu à sa position. Laisser un écart de 0,5 mm ou plus à ce moment de manière que la tige ③ du tire-fils n'entre pas en contact avec le ressort ② du pince-fil.

1. Desserrer la vis ④, puis déplacer le ressort ② du pince-fil vers le haut et vers le bas pour régler la position.

2. Serrer la vis ④.

* Vérifier que le tire-fils ① maintienne légèrement le fil lorsque le tire-fils ① revient à sa position.

La distancia desde el extremo del gancho del limpiahilos ① a la horquilla del resorte de la pinza del hilo ② debe ser 2 - 3 mm cuando el limpiahilos ① haya vuelto.

Dejar una separación de 0,5 mm o más en este momento de manera que la varilla del limpiahilos ③ y el resorte de la pinza del hilo ② no se toquen.

1. Aflojar el tornillo ④, y luego mover el resorte de la pinza del hilo ② hacia arriba y abajo para ajustar la posición.

2. Apretar el tornillo ④.

* Verificar que el limpiahilos ① sostiene suavemente el hilo cuando el limpiahilos ① vuelve.

12. INSTALLING OPTIONAL PARTS
12. ANBRINGEN VON ZUBEHÖRTEILEN
12. INSTALLATION DES PIÈCES EN OPTION
12. INSTALACION DE PIEZAS OPCIONALES




12-5. Pneumatic-type thread wiper
12-5. Pneumatischer Fadenwischer
12-5. Tire-fils pneumatique
12-5. Limpiahilos de tipo neumático




- * The pneumatic wiper can only be used on machines equipped with a pneumatic presser lifter.
- * Der pneumatische Fadenwischer kann nur bei Maschinen verwendet werden, die mit einem pneumatischen Stoffdrückerfußheber ausgerüstet sind.
- * Le tire-fils pneumatique peut être utilisé seulement sur des machines dotées d'un releveur de pied presseur pneumatique.
- * El conjunto del limpiahilos neumático sólo se puede usar en máquinas con conjunto de elevador de prensatelas neumático.




12-5-1. Installation
12-5-1. Montage




12-5-1. Installation
12-5-1. Instalación

⚠ CAUTION/ACHTUNG/ATTENTION/ATENCIÓN

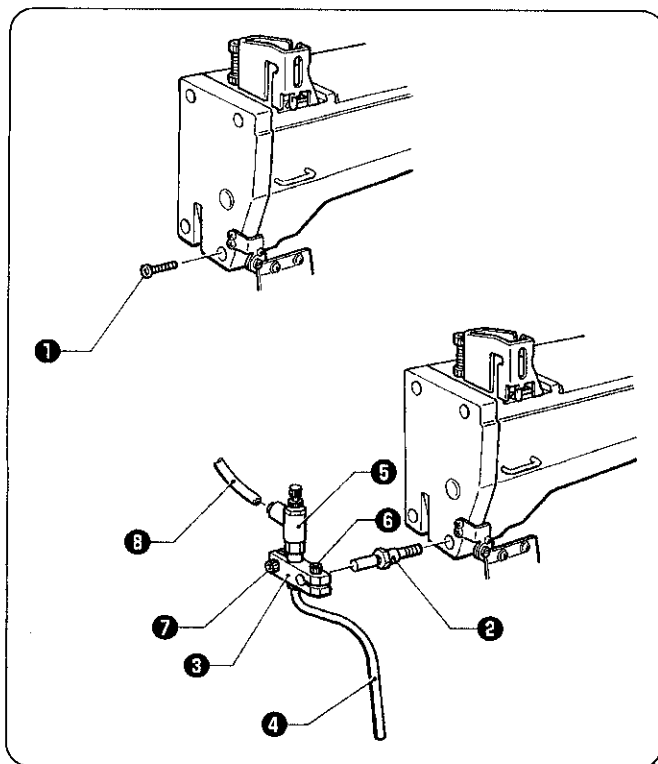
-  • Installation of optional parts should only be carried out by a qualified technician.
-  • Turn off the power switch and disconnect the power cord before installing any optional parts, otherwise the machine will operate if the treadle is pressed by mistake, which could result in injury.
-  • If using pneumatic devices, disconnect the air hoses from the air supply and wait for the needle on the pressure gauge to drop to "0" before carrying out installation.

-  • Zubehörteile dürfen nur von einem qualifizierten Fachmann installiert werden.
-  • Vor der Installation von Zubehörteilen muß der Netzschalter ausgeschaltet und das Netzkabel aus der Steckdose gezogen werden, weil sonst durch eine unbeabsichtigte Betätigung des Pedals die Maschine in Gang gesetzt und Verletzungen verursachen kann.
-  • Falls pneumatische Vorrichtungen verwendet werden, müssen Sie die Druckluftschläuche von der Druckluftversorgung lösen und warten bis die Manometernadel auf den Wert "0" abgefallen ist, bevor Sie mit der Montage beginnen.

-  • L'installation des pièces en option doit être confiée exclusivement à un technicien qualifié.
-  • Couper l'alimentation électrique et débrancher le cordon d'alimentation avant d'installer les pièces en option, sinon la machine risquera de se mettre en marche si on enfonce accidentellement la pédale, et donc de causer des blessures.
-  • Si l'on utilise des dispositifs pneumatiques, débrancher les tuyaux d'air de l'alimentation d'air et attendre que l'aiguille de la jauge de pression soit descendue jusqu'à "0" avant d'entreprendre l'installation.

-  • La instalación de las piezas opcionales debe ser realizado por personal técnico calificado.
-  • Desconectar el interruptor principal y desconectar el cable de alimentación antes de cambiar las piezas opcionales, de lo contrario la máquina podría comenzar a funcionar si por descuido se pisara el pedal, lo que podría resultar en heridas.
-  • Si se usan dispositivos neumáticos, desconectar las tuberías de aire del suministro de aire y esperar para que la aguja en el medidor de presión caiga a "0" antes de realizar la instalación.

12. INSTALLING OPTIONAL PARTS
12. ANBRINGEN VON ZUBEHÖRTEILEN
12. INSTALLATION DES PIÈCES EN OPTION
12. INSTALACION DE PIEZAS OPCIONALES

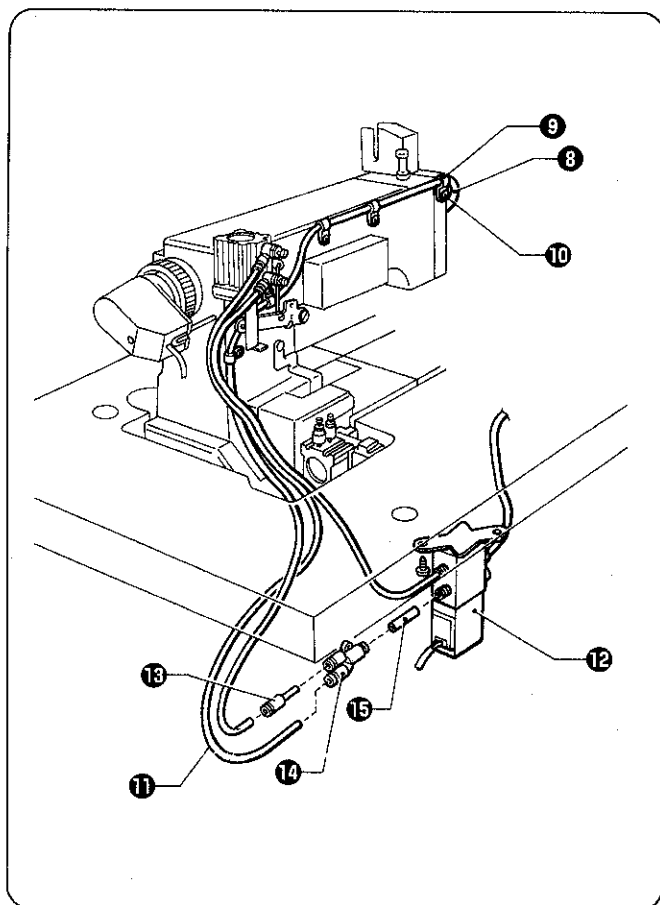


1. Remove screw ①.
2. Install the wiper base shaft ②, install the wiper base ③, wiper assembly ④, and speed controller ⑤, and temporarily tighten bolts ⑥ and ⑦.
3. Insert the air tube ⑧ into the speed controller ⑤.

1. Die Schraube ① entfernen.
2. Die Wischergrundplattenachse ②, einsetzen und die Wischergrundplatte ③, den Wischer ④ und den Geschwindigkeitsregler ⑤ anbringen und die Schrauben ⑥ und ⑦ provisorisch festziehen.
3. Die Druckluftleitung ⑧ am Geschwindigkeitsregler ⑤ anschließen.

1. Retirer la vis ①.
2. Installer l'arbre ② de la base du tire-fils, la base ③ du tire-fils, le tire-fils ④, la commande de vitesse ⑤, puis serrer provisoirement les boulons ⑥ et ⑦.
3. Insérer la conduite d'air ⑧ dans la commande de vitesse ⑤.

1. Quitar el tornillo ①.
2. Instalar el eje de base del limpiahilos ②, instalar la base del limpiahilos ③, el conjunto del limpiahilos ④, y el controlador de velocidad ⑤, y apretar temporariamente los pernos ⑥ y ⑦.
3. Insertar la tubería de aire ⑧ en el controlador de velocidad ⑤.



4. Attach the air tube ⑧ to the arm with the five cord holders ⑨ and the five screws ⑩.
5. Remove the air tube ⑪ from the presser lifter solenoid valve ⑫.
6. Install the reducer ⑬, Y union ⑭ and air tube ⑮ to the presser lifter solenoid valve ⑫. Then insert the air tube ⑪ into the Y union ⑭ and insert the air tube ⑧ into the reducer ⑬.
7. Adjust the thread wiper while referring to pages 105 - 106.

4. Die Druckluftleitung ⑧ mit den fünf Kabelhaltern ⑨ und den fünf Schrauben ⑩ am Arm befestigen.
5. Die Druckluftleitung ⑪ am Stoffdrückerfußhebermagnetventil ⑫ lösen.
6. Das Reduzierstück ⑬, das Gabelstück ⑭ und die Druckluftleitung ⑮ am Stoffdrückerfußhebermagnetventil ⑫ anbringen. Die Druckluftleitung ⑪ am Gabelstück ⑭ und die Druckluftleitung ⑧ am Reduzierstück ⑬ anschließen.
7. Stellen Sie den Fadenwischer wie auf der Seite 105 und 106 beschrieben ein.

























4. Fixer le tuyau d'air ⑧ au bras à l'aide des cinq supports ⑨ de cordon et des cinq vis ⑩.
5. Enlever la conduite d'air ⑪ de l'électrovanne ⑫ du releveur de pied presseur.
6. Installer le réducteur ⑬, l'union Y ⑭ et la conduite d'air ⑮ sur l'électrovanne ⑫ du releveur de pied presseur. Insérer ensuite la conduite d'air ⑪ dans l'union Y ⑭ et insérer la conduite d'air ⑧ dans le réducteur ⑬.
7. Régler le tire-fils en se reportant aux pages 105 et 106.

4. Colocar el tubo de aire ⑧ al brazo con los cinco sostenedores de cable ⑨ y los cinco tornillos ⑩.
5. Retire la tubería de aire ⑪ de la válvula solenoide del elevador del prensatelas ⑫.
6. Instalar el reductor ⑬, la unión en Y ⑭ y la tubería de aire ⑮ en la válvula solenoide del elevador del prensatelas ⑫. Luego insertar la tubería de aire ⑪ en la unión en Y ⑭ e insertar la tubería de aire ⑧ en el reductor ⑬.
7. Ajustar limpiahilos consultando las páginas 105 - 106.

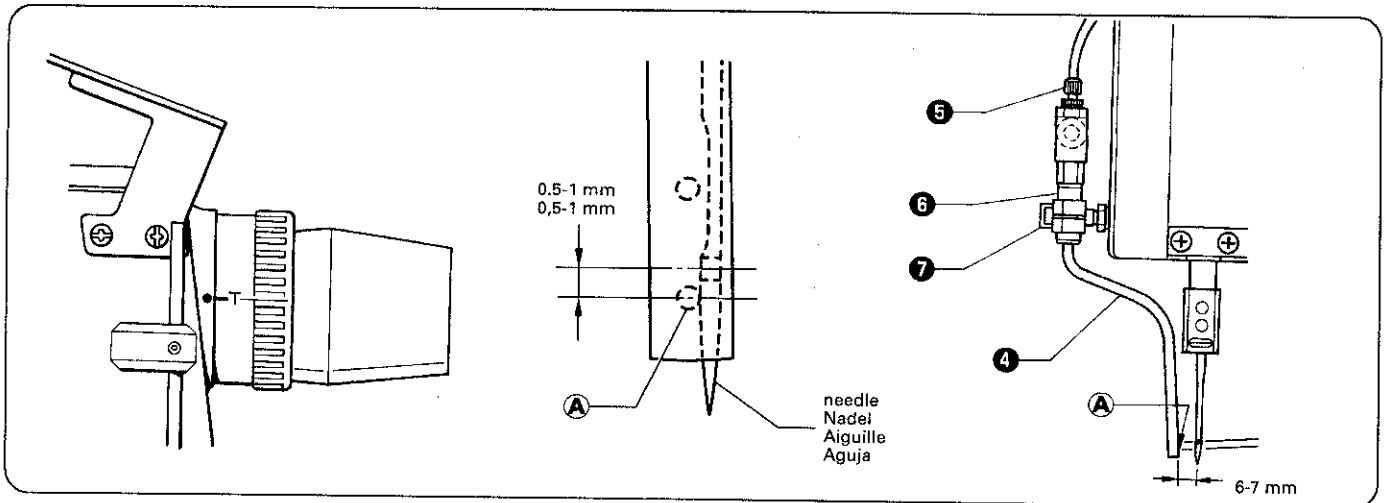
12. INSTALLING OPTIONAL PARTS
 12. ANBRINGEN VON ZUBEHÖRTEILEN
 12. INSTALLATION DES PIÈCES EN OPTION
 12. INSTALACION DE PIEZAS OPCIONALES

12-5-2. Adjusting the thread wiper
 12-5-2. Einstellen des Fadenwischers
 12-5-2. Réglage du tire-fils
 12-5-2. Ajuste del limpiahilos

⚠ CAUTION/ACHTUNG/ATTENTION/ATENCIÓN

<ul style="list-style-type: none">  • Maintenance and inspection of the sewing machine should only be carried out by a qualified technician.  • Ask your Brother dealer or a qualified electrician to carry out any maintenance and inspection of the electrical system.  • Turn off the power switch and disconnect the power cord from the wall outlet before carrying out any adjustments, otherwise the machine may operate if the treadle is depressed by mistake, which could result in injury. 	<ul style="list-style-type: none">  • Disconnect the air hoses from the air supply and wait for the needle on the pressure gauge to drop to "0" before carrying out inspection, adjustment and repair of any parts which use the pneumatic equipment.  • If the power switch and air need to be left on when carrying out some adjustment, be extremely careful to observe all safety precautions.  • If any safety devices have been removed, be absolutely sure to re-install them to their original positions and check that they operate correctly before using the machine.
<ul style="list-style-type: none">  • Die Wartung und Inspektion darf nur durch einen qualifizierten Fachmann ausgeführt werden.  • Wenden Sie sich für die Wartung und Inspektion des elektrischen Systems an Ihren Brother-Händler oder an einen qualifizierten Elektriker.  • Schalten Sie den Netzschalter in den folgenden Fällen immer aus und ziehen Sie das Netzkabel aus der Steckdose, weil sonst Verletzungsgefahr besteht, wenn die Nähmaschine durch unbeabsichtigtes Betätigen des Pedals in Gang gesetzt wird.  • Lösen Sie die Druckluftleitungen von der Druckluftversorgung und warten Sie, bis die 	<p>Manometeranzeige auf "0" abgefallen ist, bevor Sie mit dem Kontrollieren, Einstellen oder mit der Reparatur von Teilen beginnen, die mit Druckluft betrieben werden.</p> <ul style="list-style-type: none">  • Falls bestimmte Einstellungen bei eingeschaltetem Netzschalter und eingeschalteter Druckluft vorgenommen werden, so müssen die Sicherheitsmaßnahmen sorgfältig beachtet werden.  • Falls Sicherheitsvorrichtungen entfernt wurden, müssen sie unbedingt wieder in den ursprünglichen Positionen montiert werden. Kontrollieren Sie vor der Inbetriebnahme die Sicherheitsvorrichtungen auf richtige Funktion.
<ul style="list-style-type: none">  • L'entretien et la vérification de la machine à coudre doivent être confiés exclusivement à un technicien qualifié.  • S'adresser à un concessionnaire Brother ou à un électricien qualifié pour effectuer des travaux d'entretien ou de vérification du système électrique.  • Mettre l'interrupteur d'alimentation sur la position d'arrêt et débrancher le cordon d'alimentation de la prise murale avant d'entreprendre les réglages, sinon la machine risquera de se mettre en marche si on relâche la pédale par erreur, et on risquera alors de se blesser. 	<ul style="list-style-type: none">  • Débrancher les tuyaux d'air de l'alimentation d'air et attendre que l'aiguille de la jauge de pression soit descendue jusqu'à "0" avant d'entreprendre les vérifications, les réglages ou les réparations de pièces utilisant l'équipement pneumatique.  • Si l'on veut laisser l'interrupteur d'alimentation et l'alimentation d'air sur la position de marche pendant qu'on effectue des réglages, veiller à respecter rigoureusement toutes les consignes de précaution.  • Si des dispositifs de sécurité ont été déposés, veiller absolument à les remettre à leur place initiale et vérifier qu'ils fonctionnent correctement avant d'utiliser la machine.
<ul style="list-style-type: none">  • El mantenimiento y la inspección de la máquina debe ser realizado sólo por un técnico calificado.  • Consultar a su distribuidor Brother o un electricista calificado por cualquier trabajo de mantenimiento e inspección eléctrica que se debiera realizar.  • Desconectar el interruptor principal y desenchufar el cable de alimentación del tomacorriente en la pared antes de realizar cualquier ajuste, de lo contrario la máquina podría comenzar a funcionar si por descuido se pisara el pedal, lo que podría resultar en heridas. 	<ul style="list-style-type: none">  • Desconectar las mangueras de aire de la alimentación de aire y espere que la aguja del indicador de presión baje a "0" antes de realizar la inspección, ajuste y reparación de cualquier de las partes que usan el equipo neumático.  • Si el interruptor principal y el aire deben de quedar activados mientras se realiza un ajuste, tenga mucho cuidado en tener en cuenta todas las precauciones de seguridad.  • Si se hubieran desmontado alguno de los dispositivos de seguridad, asegurarse de volver a instalarlos a su posición original y verificar que funcionan correctamente antes de usar la máquina.

12. INSTALLING OPTIONAL PARTS
12. ANBRINGEN VON ZUBEHÖRTEILEN
12. INSTALLATION DES PIÈCES EN OPTION
12. INSTALACION DE PIEZAS OPCIONALES



1. Turn the sewing machine pulley to align the T mark on the pulley with the matching mark on the arm.
2. The pneumatic wiper should be installed so that the center of the air blow hole (A) in the lower part of the wiper assembly (4) is 0.5 - 1 mm below the center of the needle hole.
 The air blow hole (A) should also be 6 - 7 mm away from the side of the needle, and should be positioned behind the needle.
 All adjustments can be made by loosening bolts (6) and (7).
 * Note that placing the air blow hole (A) so that air blows in front of the needle may cause the needle thread to be cast off.
3. Turn the speed controller (5) dial to adjust the wiper air pressure. For the quietest operation, adjust the air pressure as low as will still raise the needle thread. It will also reduce the air consumption.

1. Die Markierung T auf der Riemenscheibe durch Drehen der Riemenscheibe auf die Markierung am Arm ausrichten.
2. Der pneumatische Fadenwischer (4) muß so montiert sein, daß sich die Mitte des Luftaustrittslochs (A) im unteren Teil des Fadenwischers (4) 0,5 bis 1 mm unterhalb der Mitte der Nadel befindet.
 Das Luftaustrittsloch (A) muß sich 6 bis 7 mm von der Seite der Nadel entfernt befinden und sollte sich hinter der Nadel befinden.
 Alle Einstellungen lassen sich durch Lösen der Schrauben (6) und (7) ausführen.
 * Falls das Luftaustrittsloch (A) so positioniert ist, daß der Luftstrom vor der Nadel austritt, kann sich der Oberfaden lösen.
3. Den Fadenwischerluftdruck durch Drene des Geschwindigkeitsreglers (5) einstellen. Für den ruhigsten Betrieb den Luftdruck so niedrig einstellen, daß der Oberfaden gerade noch angehoben wird; mit dieser Einstellung wird auch der Luftverbrauch reduziert.

1. Tourner la poulie de la machine de façon à aligner le repère T marqué sur la poulie avec le repère correspondant marqué sur le bras.
2. Le tire-fils pneumatique doit être installé de manière que le centre de l'orifice de soufflerie (A) de la partie inférieure du tire-fils (4) soit située à 0,5 - 1 mm au-dessous du centre de l'orifice d'aiguille.
 L'orifice de soufflerie (A) doit aussi être situé à 6 - 7 mm derrière l'aiguille.
 Tous les réglages peuvent être effectués en desserrant les boulons (6) et (7).
 * Si l'orifice de soufflerie d'air (A) est placé de manière que l'air soit soufflé devant l'aiguille, le fil d'aiguille risque de se défaire.
3. Tourner le cadran de la commande d'air (5) afin de régler la pression d'air du tire-fils. Pour assurer un fonctionnement plus silencieux, régler la pression d'air au niveau juste suffisant pour relever le fil d'aiguille. Ceci permettra aussi de réduire la consommation d'air.

1. Girar la polea de la máquina de coser para alinear la marca T de la polea con la marca correspondiente en el brazo.
2. El limpiahilos neumático (4) se debe instalar de forma que el centro del orificio de salida de aire (A) en la parte inferior del conjunto del limpiahilos (4) se encuentre a 0,5 a 1 mm debajo del centro del orificio de la aguja.
 El orificio de salida de aire (A) también se debe encontrar 6 a 7 mm de un costado de la aguja, y detrás de la aguja.
 Todos los ajustes se pueden realizar aflojando los pernos (6) y (7).
 * Tenga en cuenta que colocando el orificio de salida de aire (A) de forma que el aire salga de frente a la aguja puede causar que el hilo se escape.
3. Girar el controlador de velocidad (5) para ajustar la presión de aire del limpiahilos. Para que funcione silenciosamente, bajar la presión de aire al mínimo posible como para que todavía el hilo de aguja se pueda levantar. De esta forma también se reducirá el consumo de aire.

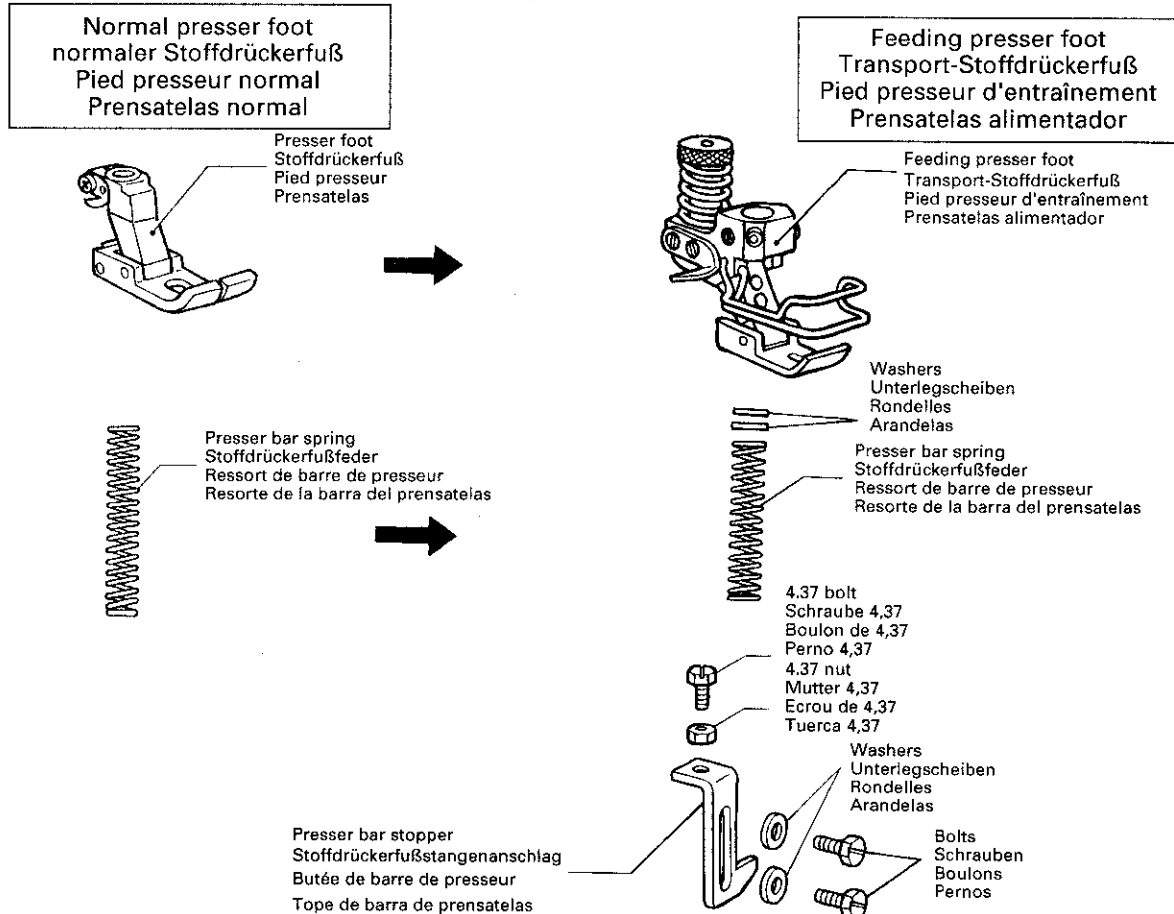
12. INSTALLING OPTIONAL PARTS
 12. ANBRINGEN VON ZUBEHÖRTEILEN
 12. INSTALLATION DES PIÈCES EN OPTION
 12. INSTALACION DE PIEZAS OPCIONALES

12-6. Feeding presser foot (012-0)
 12-6. Transport-Stoffdrückerfußes (012-0)
 12-6. Pied presseur d'entraînement (012-0)
 12-6. Prensatelas alimentador (012-0)

⚠ CAUTION/ACHTUNG/ATTENTION/ATENCIÓN

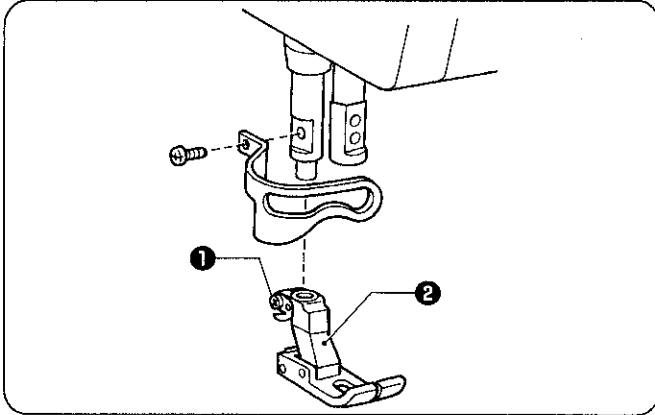
- Installation of optional parts should only be carried out by a qualified technician.
- Turn off the power switch and disconnect the power cord before installing any optional parts, otherwise the machine will operate if the treadle is pressed by mistake, which could result in injury.
- Zubehörteile dürfen nur von einem qualifizierten Fachmann installiert werden.
- Vor der Installation von Zubehörteilen muß der Netzschalter ausgeschaltet und das Netzkabel aus der Steckdose gezogen werden, weil sonst durch eine unbeabsichtigte Betätigung des Pedals die Maschine in Gang gesetzt und Verletzungen verursachen kann.
- L'installation des pièces en option doit être confiée exclusivement à un technicien qualifié.
- Couper l'alimentation électrique et débrancher le cordon d'alimentation avant d'installer les pièces en option, sinon la machine risquera de se mettre en marche si on enfonce accidentellement la pédale, et donc de causer des blessures.
- La instalación de las piezas opcionales debe ser realizado por personal técnico calificado.
- Desconectar el interruptor principal y desconectar el cable de alimentación antes de cambiar las piezas opcionales, de lo contrario la máquina podría comenzar a funcionar si por descuido se pisara el pedal, lo que podría resultar en heridas.

- * When using the feeding presser foot, replace or add the parts listed below.
- * Für die Verwendung des Transport-Stoffdrückerfußes müssen die nachstehend aufgeführten Teile ersetzt bzw. zusätzlich verwendet werden.
- * Lorsqu'on utilise le pied presseur, remettre en place ou ajouter les pièces mentionnées ci-dessous.
- * Al usar el prensatelas alimentador, cambiar o agregar las partes indicadas a continuación.



12. INSTALLING OPTIONAL PARTS
12. ANBRINGEN VON ZUBEHÖRTEILEN
12. INSTALLATION DES PIÈCES EN OPTION
12. INSTALACION DE PIEZAS OPCIONALES

The feeding presser foot is very useful for preventing seam slippages from occurring.
 Mit dem Transport-Stoffdrückerfuß kann vermieden werden, daß das Nähgut verrutscht.
 Le pied presseur d'entraînement est très utile pour empêcher le tissu de glisser.
 El prensatelas alimentador es muy útil para impedir que ocurran deslizamientos en las costuras.



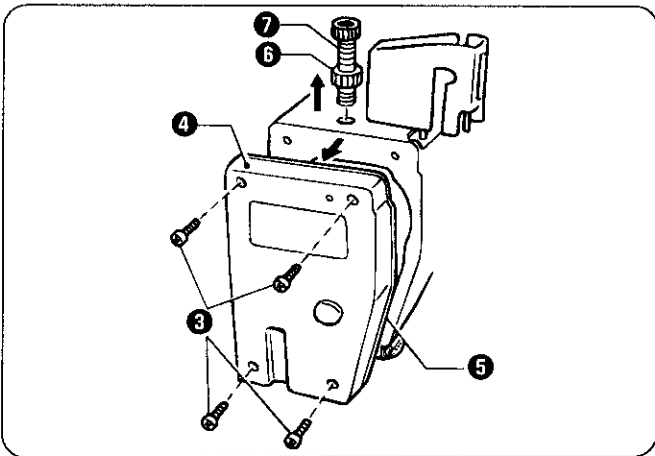
- Replacing the presser foot
- Auswechseln des Stoffdrückerfußes
- Remplacement du pied presseur
- Cambio del prensatelas

1. Remove the finger guard.
2. Loosen the screw ①, and then remove the presser foot ②.

1. Entfernen Sie den Fingerschutz.
2. Lösen Sie die Schraube ① und nehmen Sie den Stoffdrückerfuß ② ab.

1. Retirer le protège-doigts.
2. Desserrer la vis ①, puis déposer le pied presseur ②.

1. Desmontar el protector de dedos.
2. Aflojar el tornillo ①, y luego desmontar el prensatelas ②.



3. Remove the screw ③, and then remove the face plate ④ and the face plate packing ⑤.
4. Loosen the presser foot adjustment screw nut ⑥, and then remove the presser foot adjustment screw ⑦.

3. Entfernen Sie die Schraube ③ und entfernen Sie die Stirnplatte ④ mit der Stirnplattendichtung ⑤.
4. Lösen Sie die Stoffdrückerfußestellmutter ⑥ und entfernen Sie die Stoffdrückerfußestellschraube ⑦.

3. Retirer la vis ③, puis déposer la plaque frontale ④ et la garniture ⑤ de plaque frontale.

4. Desserrer l'écrou ⑥ de la vis de réglage de pied presseur, puis retirer la vis ⑦ de réglage de pied presseur.

3. Desmontar el tornillo ③, y luego desmontar la placa delantera ④ y la envoltura de la placa delantera ⑤.

4. Aflojar la tuerca del tornillo de ajuste del prensatelas ⑥, y luego desmontar el tornillo de ajuste del prensatelas ⑦.

5. Remove the presser spring guide ⑧, presser bar spring ⑨ and washer ⑩.

6. Loosen the set screw ⑪.

7. Move the needle bar clamp ⑫ to adjust so that the distance from the top of the presser bar clamp ⑫ to the top of the presser bar ⑬ is 15 mm, and then tighten the screw ⑪.
 * Temporarily slide the rubber ring ⑭ downward.

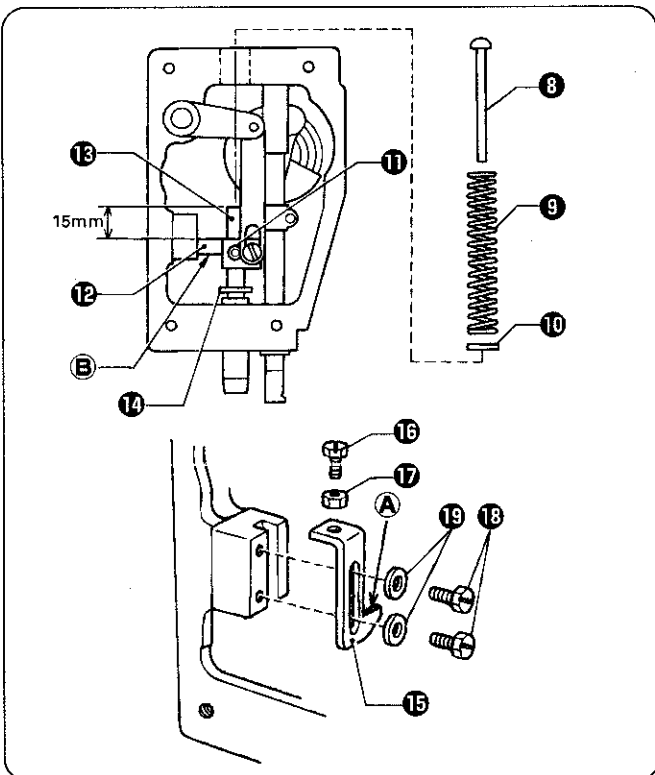
8. Provisionally tighten the 4.37 bolt ⑮ and the 4.37 nut ⑯ to the presser bar stopper ⑮. (Tighten the 4.37 bolt ⑮ until it projects approximately 1 mm below the presser bar stopper ⑮.)

5. Entfernen Sie die Stoffdrückerfußstangenfederführung ⑧, die Stoffdrückerfußstangenfeder ⑨ und die Unterscheibe ⑩.

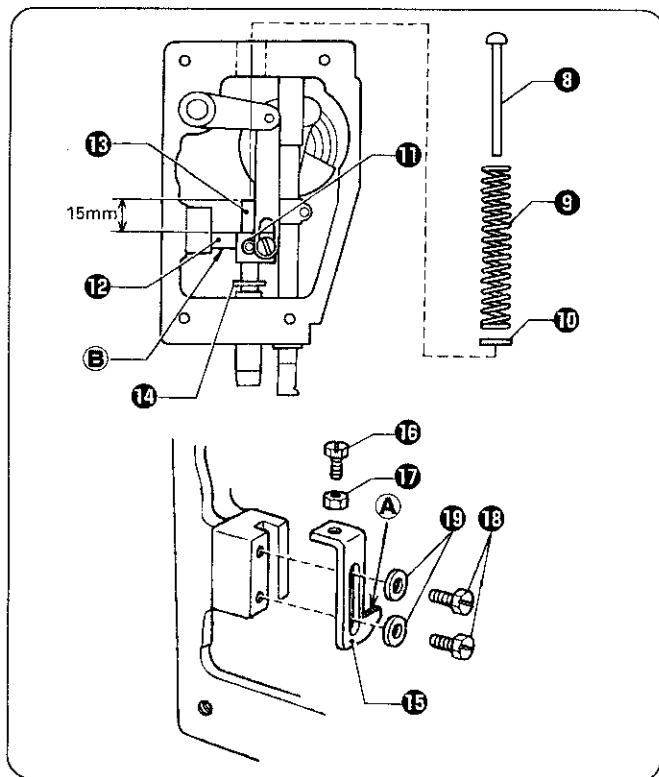
6. Lösen Sie die Einstellschraube ⑪.

7. Stellen Sie die Nadelstangenklammer ⑫ so ein, daß der Abstand zwischen der Oberseite der Nadelstangenklammer ⑫ und der Oberseite des Stoffdrückerfußstange ⑬ 15 mm beträgt und ziehen Sie die Schraube ⑪ fest.
 * Schieben Sie den Gummiring ⑭ provisorisch nach unten.

8. Ziehen Sie die Schraube 4,37 ⑮ und die Mutter 4,37 ⑯ an der Stoffdrückerfußstange ⑮ provisorisch fest. (Ziehen Sie die Mutter 4,37 ⑯ an, so daß sie unten am Stoffdrückerfußstangenanschlag ⑮ ungefähr 1 mm vorsteht.)

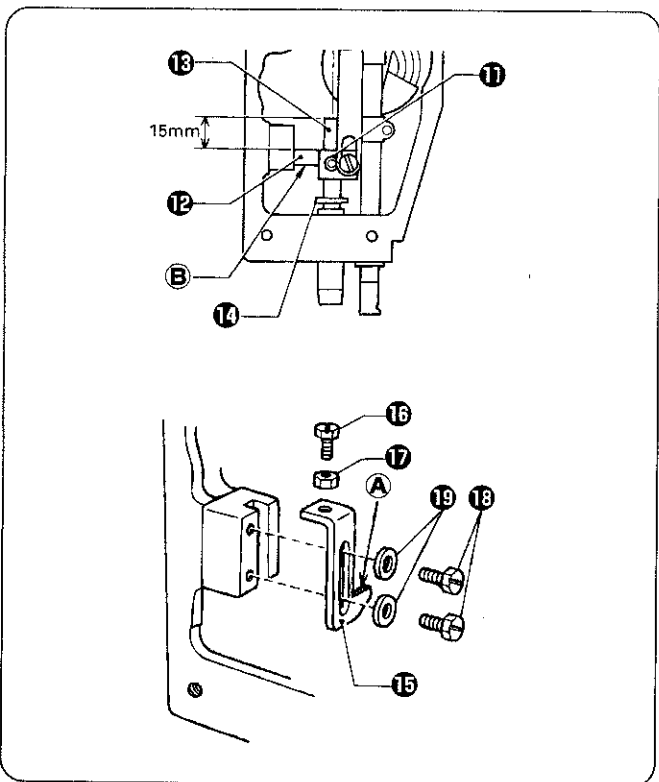


12. INSTALLING OPTIONAL PARTS
12. ANBRINGEN VON ZUBEHÖRTEILEN
12. INSTALLATION DES PIÈCES EN OPTION
12. INSTALACION DE PIEZAS OPCIONALES



5. Déposer le guide ⑧ du ressort de barre de presseur, le ressort de barre de presseur ⑨ et la rondelle ⑩.
6. Desserrer la vis de fixation ⑪.
7. Déplacer le collier ⑫ de la barre à aiguille pour régler de manière que l'écart entre le haut du collier ⑬ de la barre de presseur et le haut de la barre de presseur ⑭ soit de 15 mm, puis resserrer la vis ⑪.
- * Faire glisser provisoirement la bague en caoutchouc ⑭ vers le bas.
8. Serrer provisoirement le boulon de 4,37 ⑮ et l'écrou de 4,37 ⑰ sur la butée ⑮ de barre de presseur. (Serrer le boulon de 4,37 ⑮ jusqu'à ce qu'il dépasse d'environ 1 mm sous la butée ⑮ de barre de presseur.

5. Desmontar la guía del resorte de la barra del prensatelas ⑧, el resorte del prensatelas ⑨ y la arandela ⑩.
6. Aflojar el tornillo de sujeción ⑪.
7. Mover la abrazadera de la barra de agujas ⑫ para ajustarla de manera que la distancia entre la parte de arriba de la abrazadera de la barra del prensatelas ⑬ a la parte de arriba de la abrazadera de la barra de agujas ⑭ sea 15 mm, y luego apretar el tornillo ⑪.
- * Deslizar temporalmente hacia abajo el anillo de caucho ⑭.
8. Apretar provisoriamente el perno de 4,37 ⑮ y la tuerca de 4,37 ⑰ al tope de la barra del prensatelas ⑮. (Apretar el perno de 4,37 ⑮ hasta que se proyecte aproximadamente 1 mm hacia abajo del tope de la barra de prensatelas ⑮.)



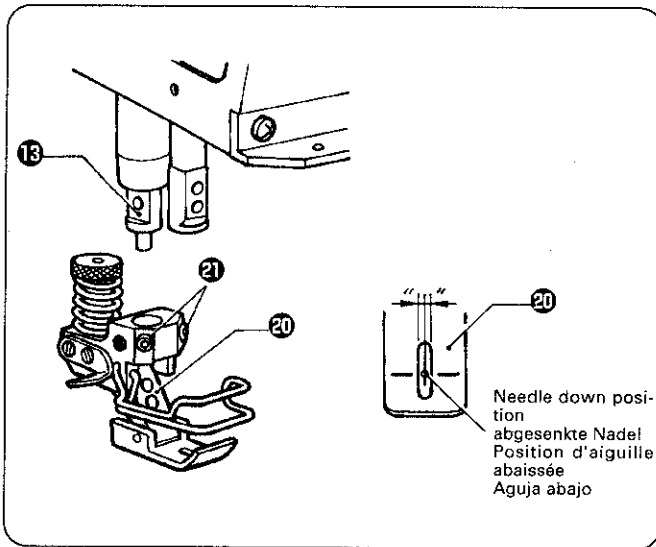
9. Provisionally tighten the presser bar stopper ⑮ with the bolts ⑮ and the washers ⑰ so that surface ⑮ of the presser bar clamp ⑫ is sitting on top of surface ⑮ of the presser bar stopper ⑮.

9. Ziehen Sie den Stoffdrückerfußstangenanschlag ⑮ provisorisch mit den Schrauben ⑮ und den Unterlegscheiben ⑰ fest, so daß sich die Fläche ⑮ der Stoffdrückerfußstangenklammer ⑫ auf der Fläche ⑮ des Stoffdrückerfußstangenanschlags ⑮ befindet.

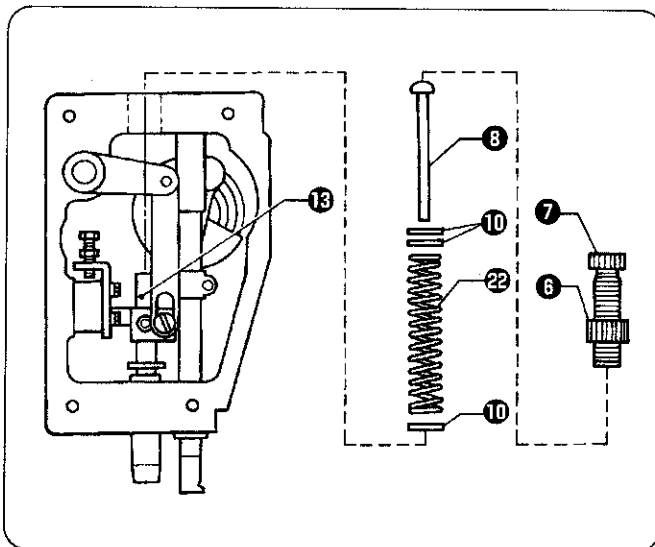
9. Serrer provisoirement la butée ⑮ de barre de presseur à l'aide des boulons ⑮ et des rondelles ⑰ de manière que la surface ⑮ du collier ⑫ de barre de presseur soit placée sur la surface ⑮ de la butée ⑮ de barre de presseur.

9. Apretar provisoriamente el tope de la barra del prensatelas ⑮ con los pernos ⑮ y las arandelas ⑰ de manera que la superficie ⑮ de la abrazadera de la barra del prensatelas ⑫ se encuentre apoyada en la superficie superior ⑮ del tope de la barra del prensatelas ⑮.

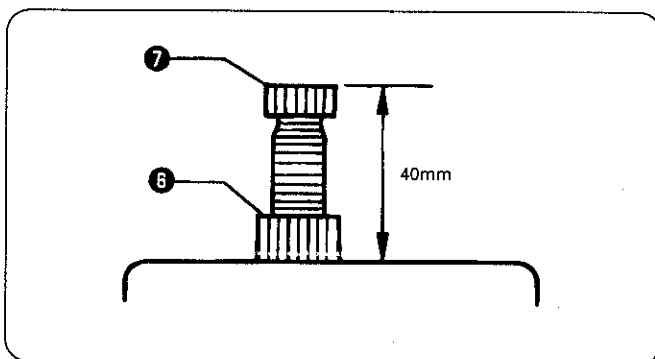
12. INSTALLING OPTIONAL PARTS
12. ANBRINGEN VON ZUBEHÖRTEILEN
12. INSTALLATION DES PIÈCES EN OPTION
12. INSTALACION DE PIEZAS OPCIONALES



10. Attach the feeding presser foot 20 to the presser bar 13 with the set screw 21. Install so that the needle is at an even distance from both sides of the needle hole in the feeding presser foot 20 when the needle is in the down position.
10. Bringen Sie den Transport-Stoffdrückerfuß 20 an der Stoff-drückerfußstange 13 mit der Schraube 21 an. Die Abstand zwischen der abgesenkten Nadel und dem Nadelloch im Transport-Stoffdrückerfuß 20 muß auf beiden Seiten gleich sein.
10. Fixer le pied presseur d'entraînement 20 sur la barre de presseur 13 à l'aide de la vis de fixation 21. Régler de manière que l'aiguille soit située à distance égale des deux côtés du trou d'aiguille du pied presseur d'entraînement 20 lorsque l'aiguille est en position abaissée.
10. Colocar el prensatelas alimentador 20 en la barra del prensatelas 13 con el tornillo de sujeción 21. Instalarlo de manera que la aguja se encuentre a igual distancia de ambos lados del orificio de aguja en el prensatelas alimentador 20 cuando la aguja está abajo.

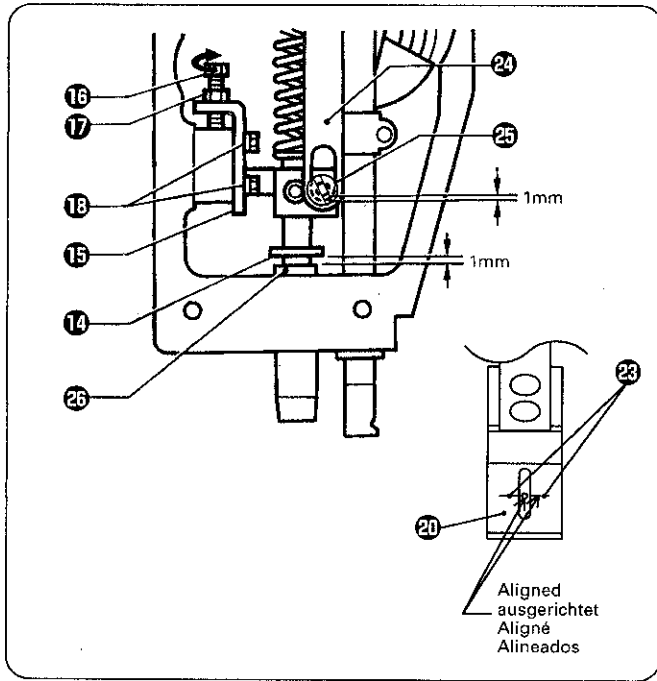


11. Place the three washers 10, the presser bar spring 22 for the feeding presser foot and the presser bar spring guide 8 onto the presser bar 13.
11. Bringen Sie die drei Unterlegscheibe, 10 die Stoffdrückerfußstangenfeder 22 für den Transport- Stoffdrückerfuß und die Stoffdrückerfußstangen federführung 8 an der Stoffdrückerfußstange 13 an.
11. Placer les trois rondelles 10, le ressort de barre de presseur 22 du pied presseur d'entraînement et le guide 8 du ressort de barre de presseur sur la barre de presseur 13.
11. Colocar las tres arandelas 10, el resorte del prensatelas 22 para el prensatelas alimentador y la guía de resorte de la barra del prensatelas 8 en la barra del prensatelas 13.



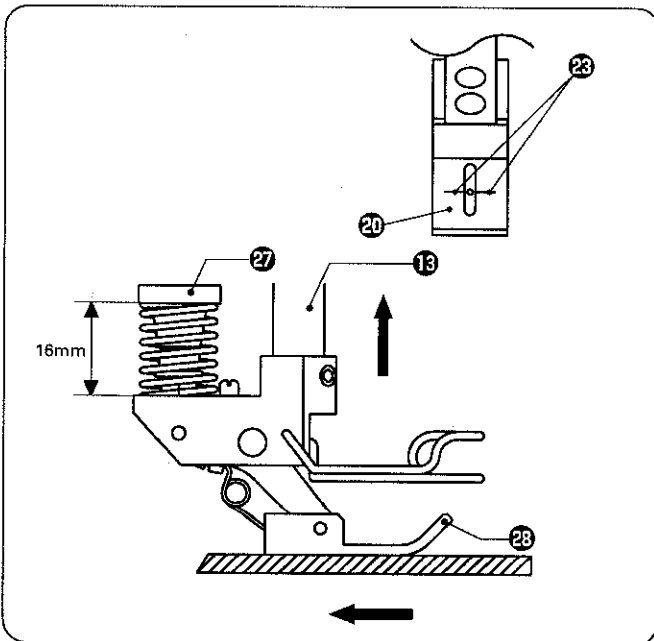
12. Tighten the presser foot adjustment screw 7 until it is at a height of 40 mm, and then securely tighten the presser foot adjustment screw nut 6.
12. Ziehen Sie die StoffdrückerfußEinstellschraube 7 fest, so daß sie oben um 40 mm vorsteht und ziehen Sie die Einstellmutter 6 richtig fest.
12. Serrer la vis 7 de réglage de pied presseur jusqu'à ce qu'elle soit à une hauteur de 40 mm, puis serrer fermement l'écrou 6 de la vis de réglage de pied presseur.
12. Apretar el tornillo de ajuste del prensatelas 7 hasta que se encuentre a una altura de 40 mm, y luego apretarlo con la tuerca del tornillo de ajuste del prensatelas 6.

12. INSTALLING OPTIONAL PARTS
12. ANBRINGEN VON ZUBEHÖRTEILEN
12. INSTALLATION DES PIÈCES EN OPTION
12. INSTALACION DE PIEZAS OPCIONALES



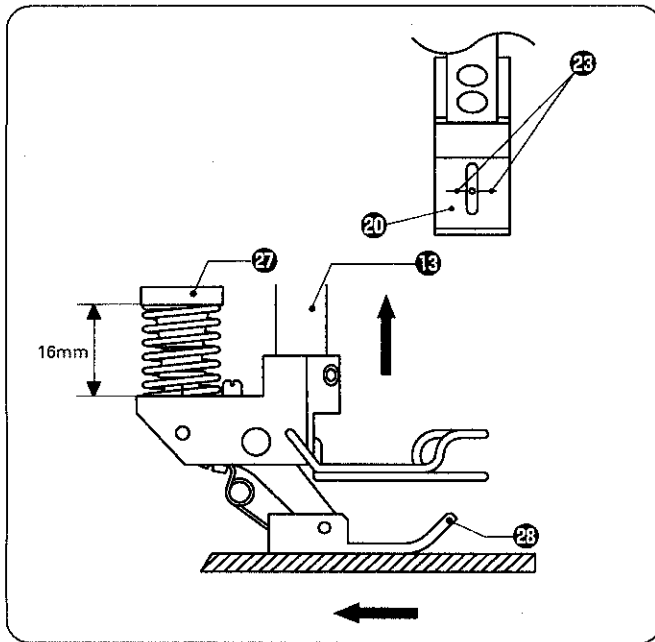
13. Turn the machine pulley to lower the feed dog(s) below the needle plate.
 14. With the bolts 18 loosened, tighten the 4.37 bolt 16 until the - mark 23 of the feeding presser foot 20 and the needle down position are aligned.
In this condition, tighten the bolts 18 to secure the presser bar stopper 15.
 15. Tighten the 4.37 nut 17 to secure the 4.37 bolt 16.
 16. Check that there is approximately 1 mm of clearance between the oval hole in the presser bar lifter plate 24 and the screw 25.
 17. Move the rubber ring 14 so that there is 1 mm of clearance between it and the presser bar bush 25.
13. Senken Sie den Transporteur bzw. die Transporteure durch Drehen des Handrads unter die Stichplatte ab.
 14. Ziehen Sie bei gelösten Schrauben 18 die Schraube 4,37 16 an, so daß die Markierung - 23 des Transport-Stoffdrückerfußes 20 auf die abgesenkte Nadel ausgerichtet ist. Ziehen Sie danach die Schrauben 18 fest, um den Stoffdrückerfußstangenanschlag 15 zu sichern.
 15. Ziehen Sie zum Sichern der Schraube 4,37 16 die Mutter 4,37 17 fest.
 16. Kontrollieren Sie, ob zwischen den ovalen Loch in der Stoffdrückerfußheberplatte 24 und der Schraube 25 ein Abstand von ungefähr 1 mm vorhanden ist.
 17. Stellen Sie den Gummiring 14 ein, so daß der Abstand zur Stoffdrückerfußstangenhalterung 25 1 mm beträgt.

13. Tourner la poulie de machine de manière à abaisser la (les) griffe(s) d'entraînement sous la plaque à aiguilles.
 14. Les boulons 18 étant desserrés, serrer le boulon de 4,37 16 jusqu'à ce que le repère - 23 marqué sur le pied presseur d'entraînement 20 et la position d'aiguille abaissée soient alignés. Dans cet état, resserrer le boulon 18 pour fixer la butée 15 de barre de presseur.
 15. Serrer l'écrou de 4,37 17 pour fixer le boulon de 4,37 16.
 16. Vérifier qu'il y ait un écart d'environ 1 mm entre le trou ovale de la plaque 24 de releveur de pied presseur et la vis 25.
 17. Déplacer la bague en caoutchouc 14 de manière qu'il y ait un écart de 1 mm entre cette bague et le support 25 de la barre de presseur.
13. Girar la polea de la máquina para bajar el(los) alimentador(es) debajo de la placa de agujas.
 14. Con los pernos 18 flojos, apretar el perno de 4,37 16 hasta que la marca - 23 del prensatelas alimentador 20 y la posición de bajada de la aguja estén alineadas. En estas condiciones, apretar los pernos 18 para asegurar el tope de la barra del prensatelas 15.
 15. Apretar la tuerca de 4,37 17 para asegurar el perno de 4,37 16.
 16. Verificar que haya aproximadamente una separación de 1 mm entre el orificio oval en la placa del levantador del prensatelas 24 y el tornillo 25.
 17. Mover el anillo de caucho 14 de manera que haya una separación de 1 mm entre él y la ménsula del prensatelas 25.



18. Check that the - mark 23 of the feeding presser foot 20 is approximately 0.8 mm behind the needle down position when the feeding presser foot 20 is raised.
19. Check that the amount of lift of the presser bar 15 is 10 mm.
20. Install the face plate 4 and the face plate packing 5.
21. The standard height of the presser bar spring nut 27 is 16 mm when the feeding presser foot 20 is lowered and the feed dog(s) are below the needle plate.
* If the presser bar spring nut 27 is tightened, the length of the upper material will tend to be greater when sewing is completed, and if it is loosened, the length of the lower material will tend to be greater.
The presser bar spring nut 27 can be adjusted within a range of 18 mm.
* Normally it is only the presser foot lower 23 which moves up and down during sewing; the presser bar 15 does not move.

12. INSTALLING OPTIONAL PARTS
12. ANBRINGEN VON ZUBEHÖRTEILEN
12. INSTALLATION DES PIÈCES EN OPTION
12. INSTALACION DE PIEZAS OPCIONALES



18. Kontrollieren Sie, ob die Markierung - 23 des Transport-Stoffdrückerfußes 20 ungefähr 0,8 mm hinter der abgesenkten Nadel befindet, wenn der Transport-Stoffdrückerfuß 20 angehoben wird.
19. Kontrollieren Sie, ob der Hub der Stoffdrückerfußstange 13 10 mm beträgt.
20. Bringen Sie die Stirnplatte 4 mit der Dichtung 5 wieder an.
21. Die Standardhöhe der Stoffdrückerfußstangenfedermutter 27 beträgt 16 mm, wenn der Transport-Stoffdrückerfuß 20 abgesenkt und sich der Transporteur bzw. die Transporteure unterhalb der Stichplatte befinden.
 - * Durch Festziehen der Stoffdrückerfußstangenfedermutter 27 vergrößert sich am Ende der Naht die Länge des oberen Stoffs, und wenn die Mutter gelöst wird, vergrößert sich die Länge des unteren Stoffs. Die Stoffdrückerfußstangenfedermutter 27 läßt sich in einem Bereich von 18 mm einstellen.
 - * Beim Nähen bewegt sich normalerweise nur der untere Stoffdrückerfuß 28 auf und ab, die Stoffdrückerfußstange 13 bewegt sich nicht.





















18. Vérifier que le repère - 23 marqué sur le pied presseur d'entraînement 20 soit situé à environ 0,8 mm derrière la position abaissée de l'aiguille lorsque le pied presseur d'entraînement 20 est relevé.
 19. Vérifier que la quantité d'élévation de la barre de presseur 13 soit de 10 mm.
 20. Installer la plaque frontale 4 et la garniture 5 de plaque frontale.
 21. La hauteur normale de l'écrou 27 du ressort de barre de presseur est de 16 mm lorsque le pied presseur d'entraînement 20 est abaissé et que la (les) griffe(s) d'entraînement sont situées sous la plaque à aiguille.
 - * Lorsque l'écrou 27 du ressort de barre de presseur est serré, la longueur du tissu supérieur tendra à augmenter lorsque la couture est terminée, et lorsqu'il est desserré, la longueur du tissu inférieur tendra à augmenter. L'écrou 27 du ressort de barre de presseur peut être réglé dans une plage de 18 mm.
 - * Normalement, seul le pied presseur inférieur 28 s'élève et s'abaisse pendant la couture; la barre de presseur 13 ne se déplace pas.
18. Verificar que la marca - 23 del prensatelas alimentador 20 se encuentre a aproximadamente 0,8 mm detrás de la posición de bajada de la aguja cuando el prensatelas alimentador 20 se encuentra levantado.
 19. Verificar que la cantidad de elevación de la barra del prensatelas 13 sea 10 mm.
 20. Instalar la placa delantera 4 y la envoltura de la placa delantera 5.
 21. La altura estándar de la tuerca del resorte de la barra del prensatelas 27 debe ser 16 mm cuando se baje el prensatelas alimentador 20 y el(los) alimentador(es) se encuentren debajo de la placa de agujas.
 - * Si la tuerca del resorte de la barra del prensatelas 27 está apretada, el largo del material superior tendrá a ser mayor al completar la costura, y si está floja, el largo del material tendrá a ser mayor. La tuerca del resorte de la barra del prensatelas 27 puede ser ajustada en un rango de 18 mm.
 - * Normalmente sólo la parte inferior del prensatelas 28 es la que se mueve hacia arriba y hacia abajo durante la costura; la barra del prensatelas 13 no se mueve.

12-7. Narrow pitch feed dog (012-0)
12-7. Transporteurs für enge Stiche (012-0)
12-7. Griffe d'entraînement à faible hauteur (012-0)
12-7. Alimentador angosto (012-0)

Refer to 11-1-2 on page 58.
 Siehe Abschnitt 11-1-2 auf Seite 58.
 Se reporter à la section 11-1-2 de la page 58.
 Consultar la sección 11-1-2 en la página 58.

13. TIMING BELT REPLACEMENT
13. AUSTAUSCH DES SYNCHRONRIEMENS
13. REMPLACEMENT DE LA COURROIE DE SYNCHRONISATION
13. CAMBIO DE LA CORREA DE SINCRONIZACION

⚠ CAUTION/ACHTUNG/ATTENTION/ATENCIÓN

<ul style="list-style-type: none">  Replacement of the timing belt should only be carried out by a qualified technician.  Use only the proper replacement parts as specified by Brother.  If any safety devices have been removed, be absolutely sure to re-install them to their original positions and check that they operate correctly before using the machine. 	<ul style="list-style-type: none">  Turn off the power supply and disconnect the power cord from the wall outlet before replacing the timing belt, otherwise the machine will operate if the treadle is pressed by mistake, which could result in injury.  Disconnect the air hoses from the air supply and wait for the needle on the pressure gauge to drop to "0" before carrying out inspection, adjustment and repair of any parts which use the pneumatic equipment.
<ul style="list-style-type: none">  Der Synchronriemen darf nur von einem qualifizierten Fachmann ausgetauscht werden.  Verwenden Sie nur die richtigen, von Brother vorgeschriebenen Austauscherteile.  Falls Sicherheitsvorrichtungen entfernt wurden, müssen sie unbedingt wieder in den ursprünglichen Positionen montiert werden. Kontrollieren Sie vor der Inbetriebnahme die Sicherheitsvorrichtungen auf richtige Funktion. 	<ul style="list-style-type: none">  Schalten Sie den Netzschalter aus und ziehen Sie den Netzstecker aus der Steckdose, um den Synchronriemen zu ersetzen, weil sonst eine hohe Verletzungsgefahr vorhanden ist, wenn das Pedal unabsichtlich betätigt wird.  Lösen Sie die Druckluftleitungen von der Druckluftversorgung und warten Sie, bis die Manometeranzeige auf "0" abgefallen ist, bevor Sie mit dem Kontrollieren, Einstellen oder mit der Reparatur von Teilen beginnen, die mit Druckluft betrieben werden.
<ul style="list-style-type: none">  Le remplacement de la courroie de synchronisation doit être confié exclusivement à un technicien qualifié.  Utiliser seulement les pièces de rechange recommandées par Brother.  Si des dispositifs de sécurité ont été déposés, veiller absolument à les remettre à leur place initiale et vérifier qu'ils fonctionnent correctement avant d'utiliser la machine. 	<ul style="list-style-type: none">  Couper l'alimentation électrique et débrancher le cordon d'alimentation de la prise murale avant de remplacer la courroie de synchronisation, sinon la machine risquera de se mettre en marche si l'on appuie involontairement sur la pédale, et de provoquer des blessures.  Débrancher les tuyaux d'air de l'alimentation d'air et attendre que l'aiguille de la jauge de pression soit descendue jusqu' à "0" avant d'entreprendre les vérifications, les réglages ou les réparations de pièces utilisant l'équipement pneumatique.
<ul style="list-style-type: none">  El cambio de la correa de sincronización sólo debe ser realizada por un técnico calificado.  Usar sólo las piezas de repuesto especificadas por Brother.  Si se hubieran desmontado alguno de los dispositivos de seguridad, asegurarse de volver a instalarlos a su posición original y verificar que funcionan correctamente antes de usar la máquina. 	<ul style="list-style-type: none">  Desconectar la fuente de alimentación y desenchufar el cable de alimentación del tomacorriente antes de cambiar la correa de distribución, de lo contrario la máquina podría funcionar si por descuido se pisara el pedal, lo cual podría resultar en heridas.  Desconectar las mangueras de aire de la alimentación de aire y espere que la aguja del indicador de presión baje a "0" antes de realizar la inspección, ajuste y reparación de cualquier de las partes que usan el equipo neumático.

13. TIMING BELT REPLACEMENT
13. AUSTAUSCH DES SYNCHRONRIEMENS
13. REMPLACEMENT DE LA COURROIE DE SYNCHRONISATION
13. CAMBIO DE LA CORREA DE SINCRONIZACION

■ **Selecting the correct timing belt**

Use a timing belt with the same code as the index ❶ on the arm bed top.
 In cold areas when a single phase, 400 W-motor is used, use the belt indicated in parentheses, e.g., (B) (C).

■ **Auswahl des Synchronriemens**

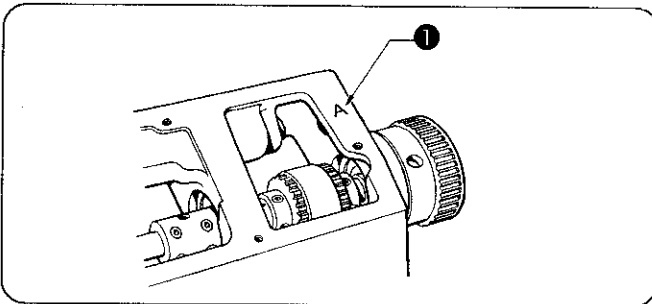
Einen Riemen mit dem gleichen Code wie der index ❶ an der Armoberseite verwenden.
 In kalten Gebieten, bei Verwendung eines 400 W-Einphasenmotors muß der in Klammern angegebene Riemen (B) bzw. (C) verwendet werden.

■ **Sélectionner la courroie de synchronisation appropriée**

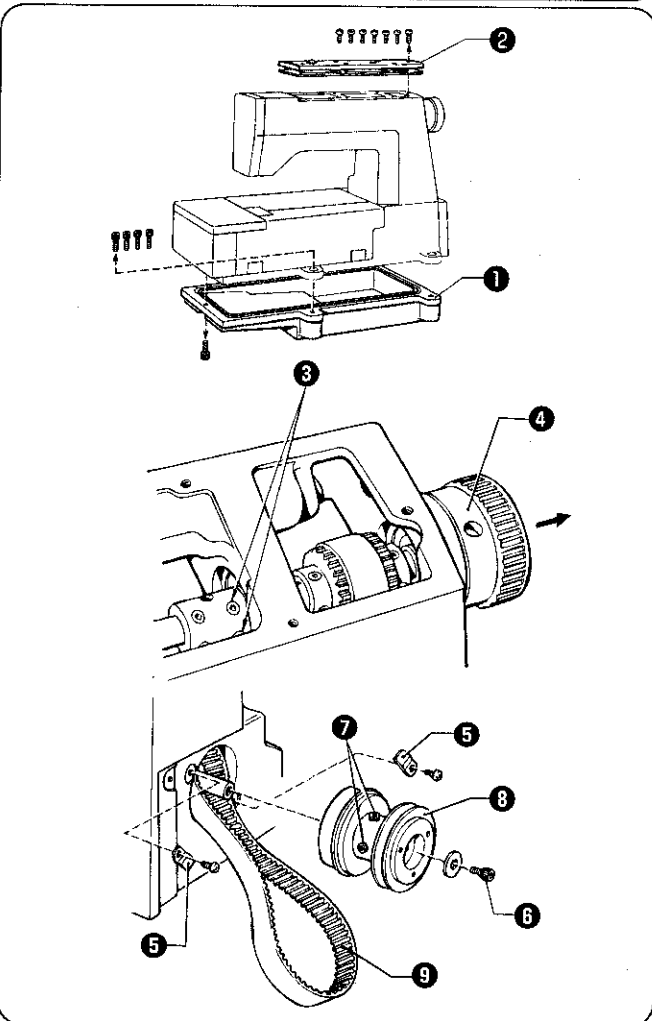
Utiliser une courroie dont le code correspond à l'index ❶ situé sur plateau du bras.
 Dans les régions froides, lorsqu'un moteur monophasé de 400 W est utilisé, sélectionner la courroie indiquée entre parenthèses, (B) (C).

■ **Selección de la correa de distribución apropiada**

Usar una correa de distribución con el mismo código que el índice ❶ en la parte superior de la mesa del brazo.
 En regiones frías con corriente monofásica, cuando se usa un motor de 400 W se debe usar la correa indicada en paréntesis, por ejemplo: (B) (C).



Arm bed Arm Plateau du bras Mesa del brazo	Timing belt Synchronriemen Courroie de synchronisation Correa de distribución
A	A, (B)
B	B, (C)
C	C



■ **Removal**

1. Remove the oil reservoir ❶ and the top cover ❷.
2. Loosen the two set screws ❸, and then pull off the machine pulley ❹.
3. Remove the two plate springs ❺ and the set screw ❻.
4. Loosen the two set screws ❼, and then remove the V-belt pulley ❽.
5. Remove the timing belt ❾.

■ **Ausbau**

1. Entfernen Sie den Ölbehälter ❶ und den oberen Deckel ❷.
2. Lösen Sie die beiden Schrauben ❸ und ziehen Sie die Riemenscheibe ❹ ab.
3. Entfernen Sie die beiden Plattenfedern ❺ und die Schraube ❻.
4. Lösen Sie die beiden Schraube ❼ und nehmen Sie den Keilriemenscheibe ❽ ab.
5. Nehmen Sie den Synchronriemen ❾ ab.

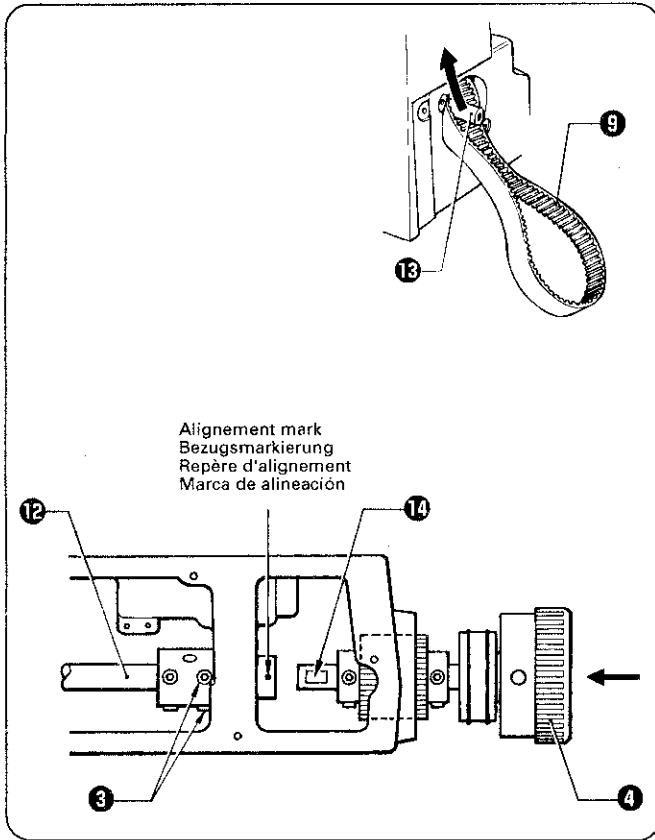
■ **Retrait**

1. Déposer le réservoir d'huile ❶ et le couvercle supérieur ❷.
2. Desserrer les deux vis de fixation ❸, puis détacher la poulie de machine ❹.
3. Retirez les deux ressorts de plaque ❺ et la vis de fixation ❻.
4. Desserrer les deux vis de fixation ❼, puis déposer la poulie ❽ de la courroie en V.
5. Déposer la courroie de synchronisation ❾.

■ **Desmontaje**

1. Desmontar el depósito de aceite ❶ y la cubierta superior ❷.
2. Aflojar los dos tornillos ❸, y luego sacar hacia afuera la polea de la máquina ❹.
3. Desmontar los dos resortes de placas ❺ y el tornillo de sujeción ❻.
4. Aflojar los dos tornillos de sujeción ❼, y luego desmontar la polea de la correa en V ❽.
5. Desmontar la correa de sincronización ❾.

13. TIMING BELT REPLACEMENT
13. AUSTAUSCH DES SYNCHRONRIEMENS
13. REMPLACEMENT DE LA COURROIE DE SYNCHRONISATION
13. CAMBIO DE LA CORREA DE SINCRONIZACION



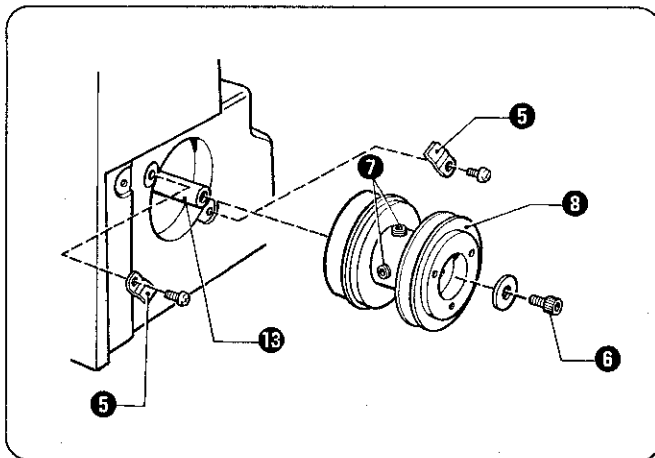
■ Installation
 ■ Einbau
 ■ Installation
 ■ Instalación

1. Slide the timing belt 9 into the arm.
2. Turn upper shaft L 12 to lower the needle bar, and then turn lower shaft R 13 to set the looper to the right position.
3. Set upper shaft R 14 into the arm through the timing belt, align the screw recess on upper shaft R 14 with the alignment mark and so that it is lightly touching upper shaft L 12, and then tighten set screw 3.

1. Den Steuerriemen 9 am Arm anbringen.
2. Die Nadelstange mit der oberen linken Welle 12 absenken und den Greifer durch Drehen der unteren rechten Welle 13 nach rechts stellen.
3. Die obere rechte Welle 14 durch den Steuerriemen in den Arm einsetzen und den Schraubenrückstand in der oberen rechten Welle 14 auf die Bezugsmarkierung ausrichten, so daß sie die obere linke Welle 12 berührt und die Schraube 3 festziehen.

1. Faire glisser la courroie de synchronisation 9 dans le bras.
2. Tourner l'arbre supérieur L 12 afin d'abaisser la barre à aiguille, puis tourner l'arbre inférieur R 13 afin d'amener le boucleur à la bonne position.
3. Placer l'arbre supérieur R 14 dans l'arbre, à travers la courroie de synchronisation, aligner l'encoche de la vis sur l'arbre supérieur R 14 avec le repère d'alignement, de sorte qu'elle touche légèrement l'arbre supérieur L 12, puis serrer la vis de calage 3.

1. Deslizar la correa de distribución 9 en el brazo.
2. Girar el eje superior L 12 para bajar la barra de agujas y girar el eje inferior R 13 para mover el ojo-guía hacia la derecha.
3. Colocar el eje superior R 14 en el brazo a través de la correa de distribución, alinear la ranura de tornillo en el eje superior R 14 con la marca de alineación para que toque ligeramente el eje superior L 12 y apretar el tornillo de fijación 3.



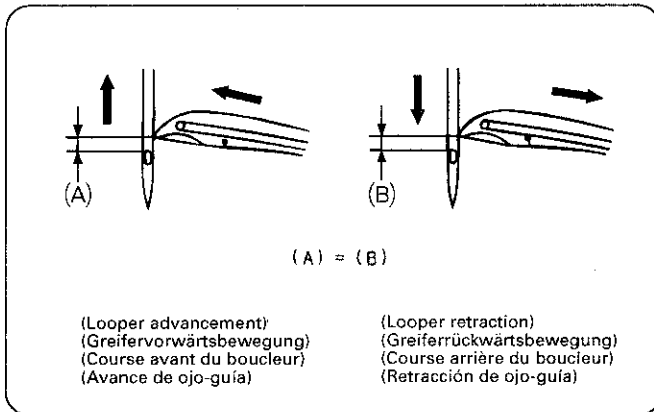
4. Fit the V-belt pulley 8 on lower shaft R 11, and lightly tighten set screw 6 so that there is no play in the direction of thrust.
5. Tighten set screw 7 on V-belt pulley 8. (Tighten the set screw on the side of the rotation direction to the screw recess.)
6. Tighten set screw 6.
7. Replace plate spring 5 on the arm.

4. Die Riemenscheibe 8 an der unteren rechten Welle 11 anbringen und die Schraube provisorisch 6 anziehen, so daß kein Axialspiel vorhanden ist.
5. Die Schraube 7 an der Riemenscheibe 8 festziehen. (Die Schraube in der Drehrichtung in die Vertiefung einschrauben.)
6. Die Schraube 6 richtig festziehen.
7. Die Feder 5 am Arm wieder anbringen.

4. Placer la poulie de la courroie trapézoïdale 8 sur l'arbre inférieur R 11, et serrer légèrement la vis de calage 6 de manière qu'il n'y ait pas de jeu dans la direction de poussée.
5. Serrer la vis de calage 7 sur la poulie de la courroie trapézoïdale 8. (Serrer la vis de calage (du côté de la direction de rotation) jusqu'à l'encoche de vis.)
6. Serrer la vis de calage 6.
7. Mettre en place le ressort de plateau 5 sur le bras.

4. Encajar la polea de la correa trapezoidal 8 en el eje inferior R 11 y apretar ligeramente el tornillo de fijación 6 para que no haya juego en el sentido de empuje.
5. Apretar el tornillo de fijación 7 en la polea de la correa trapezoidal 8. (Apretar el tornillo de fijación en la ranura de tornillo (hacia el lado del sentido de giro).)
6. Apretar el tornillo de fijación 6.
7. Cambiar el resorte de placa 5 en el brazo.

13. TIMING BELT REPLACEMENT
13. AUSTAUSCH DES SYNCHRONRIEMENS
13. REMPLACEMENT DE LA COURROIE DE SYNCHRONISATION
13. CAMBIO DE LA CORREA DE SINCRONIZACION



8. Turn the pulley ④ to check whether the looper travels at the same height on forward and back strokes, and that it meets the needle correctly.
 (Refer to "11-2-3. Adjusting the needle and looper timing" on page 63.)

8. Die Riemenscheibe ④ drehen und prüfen, ob der Greiferhub beim Vor- und Rückwärtsdrehen gleich ist, und ob der Greifer die Nadel an der richtigen Stelle berührt.
 (Siehe Abschnitt "11-2-3. Einstellen der Nadel- und Greifersynchronisation" auf Seite 63.)

8. Tourner la poulie ④ afin de vérifier si la course du boucleur est à la même hauteur, pour les courses avant et arrière et si le boucleur rencontre correctement l'aiguille. Régler la synchronisation du boucleur et de l'aiguille.
 (Se reporter à la section "11-2-3. Réglage de la synchronisation de l'aiguille et du boucleur" à la page 63.)

8. Girar la polea ④ para verificar que le ojo-guía llega a la misma altura en los recorridos delantero y trasero, y que queda correctamente alineado con la aguja.
 (Consultar la sección "11-2-3. Ajuste de la sincronización de la aguja y el ojo-guía" en la página 63.)

14. TROUBLESHOOTING

14. TROUBLESHOOTING

- If the performance of the machine becomes unsatisfactory, first check to confirm that the needle has been correctly installed and that threading has been done correctly.
- Please check the following points before calling for repairs or service.
- If the following suggestions do not solve the problem, turn off the machine power supply and contact your nearest Brother service center.

CAUTION

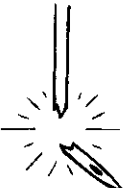



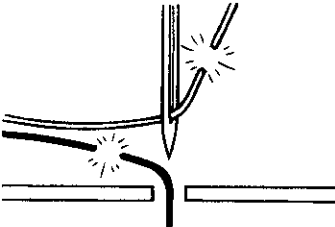
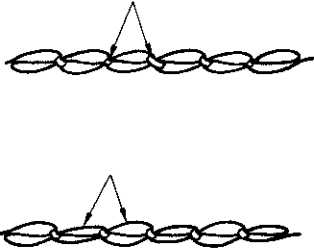
- Turn off the power switch and disconnect the power cord before carrying out troubleshooting, otherwise the machine will operate if the treadle is pressed by mistake, which could result in injury.




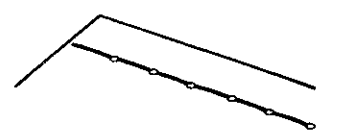
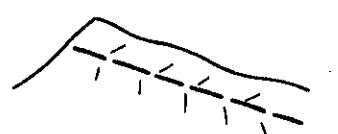
- Disconnect the air hoses from the air supply and wait for the needle on the pressure gauge to drop to "0" before carrying out inspection, adjustment and repair of any parts which use the pneumatic equipment.

14-1. Machine head

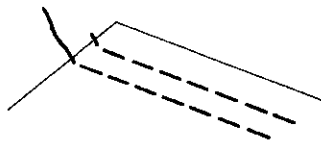
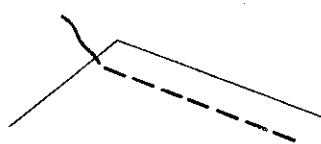
Problem	Possible cause	Page
<p>1. Needle breaks</p> 	<ul style="list-style-type: none"> • Is the thread tension too strong? Adjust the thread tension. • Are the needle and looper installed in the correct positions? Adjust the height of the needle and the position of the looper. • Is the position of the rear needle guard correct? Adjust the position of the rear needle guard. <div style="border: 1px solid black; padding: 5px; margin-top: 10px;"> <p>Caution</p> <ul style="list-style-type: none"> • It is extremely dangerous to leave any pieces of broken needle sticking in the material. If the needle breaks, search for all pieces until the whole of the needle is found again. • Furthermore, we recommend that through steps be taken to account for such needles to comply with product liability regulations. </div>	<p>40-41</p> <p>60-61-62</p> <p>64</p>
<p>2. Skipped stitches</p> 	<ul style="list-style-type: none"> • Is the thread tension too strong or too weak? Adjust the thread tension. • Is the needle tip bent or broken? Replace the needle if it is bent or broken. • Are the needle and looper installed in the correct positions? Adjust the height of the needle and the position of the looper. • Are the positions of each of the thread paths correct? Adjust the positions of the thread paths while referring to "Adjusting the thread tension". • Is the position of the rear needle guard correct? Adjust the position of the rear needle guard. • Is the tip of the looper broken? If the looper is damaged, smooth it with an oiled grindstone or replace it. 	<p>40-41</p> <p>27</p> <p>60-61-63</p> <p>40-46</p> <p>64</p> <p>61</p>

Problem	Possible cause	Page
<p>3. Thread breaks</p> 	<ul style="list-style-type: none"> • Is the thread tension too strong? Adjust the thread tension. 40-41 • Is the thread being used one which breaks easily? Reduce the sewing speed. Adjust the thread tension so that it is as weak as possible. 40-41 • Is the needle hole too narrow compared with the thread? Replace the needle with a needle that is one rank thicker. 27 • Is the correct kind of needle being used? Replace with the correct kind of needle. 27 • Are the needle and looper installed in the correct positions? Adjust the height of the needle and the position of the looper. 60-61-63 • Are the positions of each of the thread paths correct? Adjust the positions of the thread paths while referring to "Adjusting the thread tension". 40-46 • Is the needle, looper, needle plate, presser foot needle hole or a part of the thread path broken? If a part is damaged, smooth it with an oiled grindstone or replace the broken part. - • Is the thread breaking due to heat because the needle is becoming hot? Use the needle thread cooler. Reduce the sewing speed. 33 • Is the position of the rear needle guard correct? Adjust the position of the rear needle guard. 64 	
<p>4. Thread does not tighten, or tightening is uneven</p> 	<ul style="list-style-type: none"> • Is the thread of an uneven thickness? Use good-quality thread. - • Is the needle hole too narrow compared with the thread? Replace the needle with a needle that is one rank thicker. 27 • Do the thread tension discs operate smoothly? Clean away any rubbish from between the thread tension discs so that they operate smoothly. - • Are the positions of each of the thread paths correct? Adjust the positions of the thread paths while referring to "Adjusting the thread tension". 40-46 • Are the threads not running smoothly along the thread paths? Smooth the thread paths using a fine-grade file or sandpaper. - • Are the needle and looper installed in the correct positions? Adjust the height of the needle and the position of the looper. 60-61-63 • Is the position of the rear needle guard correct? Adjust the position of the rear needle guard. 64 	

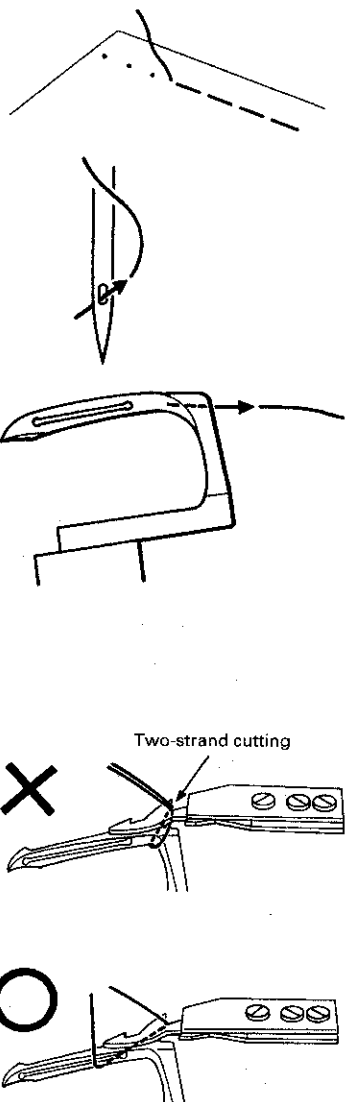
14. TROUBLESHOOTING

Problem	Possible cause	Page
<p>5. Uneven stitch length</p> 	<ul style="list-style-type: none"> • Is the presser foot pressure too weak? Adjust the presser foot pressure. (If using the feeding presser foot, refer to page 110.) • Are the heights of the feed dog(s) too low? Adjust the heights of the feed dog(s). 	<p>49</p> <p>67</p>
<p>6. The hole made by the needle is too wide.</p> 	<ul style="list-style-type: none"> • Is the needle blunt? Replace with a new needle. • Is the needle too thick for the material? Replace the needle with a needle that is one rank thinner. 	<p>27</p> <p>27</p>
<p>7. The chaining-off stitch is not formed properly.</p>	<ul style="list-style-type: none"> • Is the thread tension too strong or too weak? Adjust the thread tension. • Is the needle tip bent or broken? Replace the needle if it is bent or broken. • Are the needle and looper installed in the correct positions? Adjust the height of the needle and the position of the looper. • Are the positions of each of the thread paths correct? Adjust the positions of the thread paths while referring to "Adjusting the thread tension". • Is the position of the rear needle guard correct? Adjust the position of the rear needle guard. • Is the tip of the looper broken? If the looper is damaged, smooth it with an oiled grindstone or replace it. • Is the presser foot pressure too weak? Adjust the presser foot pressure. (If using the feeding presser foot, refer to page 110.) 	<p>40-41</p> <p>27</p> <p>60-61-63</p> <p>40-46</p> <p>64</p> <p>61</p> <p>49</p>
<p>8. The material is greatly puckered around the seam.</p> 	<ul style="list-style-type: none"> • Is the needle too thick? Select a needle which is suitable for the material and the thread. • Is the presser foot pressure too strong or too weak? Adjust the presser foot pressure to an appropriate pressure. (If using the feeding presser foot, refer to page 110.) • Is the thread tension too strong? Adjust the thread tension. • Are the heights of the feed dog(s) appropriate? Adjust the heights of the feed dog(s). • Is the amount of differential feed appropriate? (0D2-0 specifications) Adjust the differential feed ratio. 	<p>27</p> <p>49</p> <p>40-41</p> <p>67</p> <p>36</p>

14-2. Thread trimmer

Problem	Possible cause	Page
<p>1. Thread trimming errors (needle thread and/or looper thread is not trimmed)</p>	<ul style="list-style-type: none"> • Does the lower knife move all the way across to the left edge? Adjust the stroke of the thread trimming solenoid. (for solenoid-type thread trimmer) Adjust the height of the thread clamp spring. Adjust the positions of the lower knife and needle. • Is the lower knife hook passing the looper in the correct position? Adjust the positions of the lower knife and looper. • Is the meshing amount for the upper knife and lower knife correct? Adjust the meshing amount for the upper knife and lower knife. • Is the pressure of the thread clamp spring too weak? Gradually increase the pressure of the thread clamp spring. • Are the positions of the thread clamp spring and thread clamp adjust spring correct? Adjust the positions of the thread clamp spring and thread clamp adjust spring. • Is the upper knife and/or lower knife blunt? Sharpen or replace the upper knife and/or lower knife. 	<p>80</p> <p>84</p> <p>82</p> <p>81</p> <p>78</p> <p>79</p> <p>75</p> <p>54</p>
<p>2. Large difference in trailing needle thread lengths at the sewing start</p> 	<ul style="list-style-type: none"> • Is the thread resistance of the felt in the needle thread cooler too great? Open up the groove in the felt using some thicker thread to reduce the resistance. If there is no silicon oil in the needle thread cooler, remove the felt. • Is the upper knife and/or lower knife blunt? Sharpen or replace the upper knife and/or lower knife. • Is the thread not being cut by the lower knife and needle plate? Adjust the height of the looper and thread clamp spring. (This will adjust the relative heights of the lower knife and needle plate to the correct heights.) 	<p>29</p> <p>—</p> <p>54</p> <p>84</p>
<p>3. Trailing needle thread length at the sewing start is too long. (If the sewing machine is not equipped with a thread wiper, a small length of needle thread should normally remain.)</p> 	<ul style="list-style-type: none"> • Is the upper knife position too far to the right? Adjust the position of upper knife stopper B to set the upper knife to the correct position. • Is the needle thread take-up amount too much? Raise the height of the thread take-up block for needle thread to reduce the thread take-up amount. 	<p>83</p> <p>30</p>

14. TROUBLESHOOTING

Problem	Possible cause	Page
<p>4. Seam is not formed at the sewing start. Thread pulls out of the needle or looper at the sewing start.</p> 	<ul style="list-style-type: none"> • Is the thread tension nut pressure too strong or too weak? Adjust the pressure of the thread tension nut. 40-41 • Is the machine properly threaded? If it is incorrect, thread the thread correctly. 28-30 • Is the needle thread not being cut by the lower knife and thread clamp spring? (Needle thread trailing length is too short.) Adjust the positions of the lower knife and thread clamp spring. 75 • Is the needle thread not being cut by the lower knife and needle plate? Adjust the height of the looper and thread clamp spring. (This will adjust the relative heights of the lower knife and needle plate to the correct heights.) 84 • Are the needle thread and looper thread trailing lengths too short after thread trimming? Lower the thread take-up blocks for the needle thread and looper thread to increase the thread take-up amounts. 30 If looper thread guide R is has been set to position ②, change it to position ①. 47 Adjust the position of upper knife stopper B to set the upper knife to the correct position. 83 • Is the thread clamp spring holding the looper thread? If the lower knife is moving too far to the left, the looper thread will be cut by the needle thread cutting hook. Adjust the position of the lower knife and needle. 82 Adjust the positions of the lower knife and thread clamp spring. 75 Adjust the positions of the lower knife and looper. 81 Increase the pressure of the thread clamp spring slightly. 79 • Is the looper thread snapping during thread trimming? Use stronger thread as the looper thread. - Set looper thread guide R to position ②. 47 Raise the thread take-up block for the looper thread to reduce the thread take-up amount. 30 • Are two strands of needle thread being cut? Adjust the positions of the lower knife and looper so that the lower knife hook passes the looper in the correct position. 81 	

14. FEHLERSUCHE

- Kontrollieren Sie bei ungenügender Nähleistung zuerst, ob die Nadel richtig befestigt und der Faden wie vorgeschrieben eingefädelt wurde.
- Überprüfen Sie bei einer Störung bitte zuerst die folgenden Punkte, bevor Sie einen Reparaturdienst rufen.
- Falls die Störung mit den nachstehenden Maßnahmen nicht behoben werden kann, schalten Sie die Stromversorgung der Nähmaschine aus und wenden Sie sich an die nächste Brother-Reparaturdienststelle.

⚠ ACHTUNG



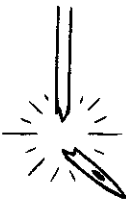

- Vor Beginn der Fehlersuche muß der Netzschalter ausgeschaltet und das Netzkabel aus der Steckdose gezogen werden, weil sonst durch eine unbeabsichtigte Betätigung des Pedals die Maschine in Gang gesetzt und Verletzungen verursachen kann.

* Bei Verwendung eines Kupplungsmotors dreht sich der Motor wegen der Trägheit auch nach dem Ausschalten weiter. Warten Sie deshalb bis der Motor zum vollständigen Stillstand gekommen ist, bevor Sie zu arbeiten beginnen.

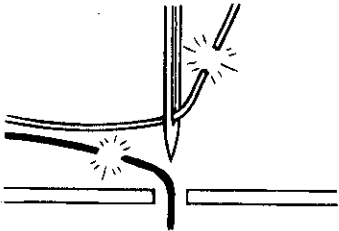
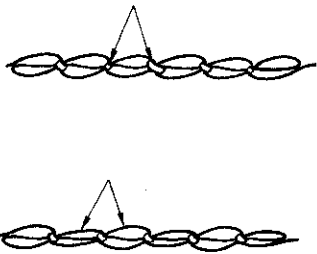




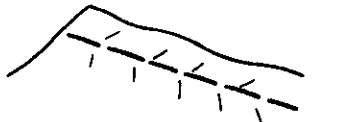
- Lösen Sie die Druckluftleitungen von der Druckluftversorgung und warten Sie, bis die Manometeranzeige auf "0" abgefallen ist, bevor Sie mit dem Kontrollieren, Einstellen oder mit der Reparatur von Teilen beginnen, die mit Druckluft betrieben werden.

14-1. Nähmaschinenoberteil

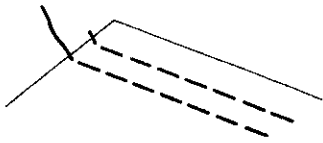
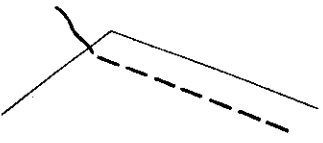
Störung	Mögliche Ursache	Seite
1. Nadel bricht 	<ul style="list-style-type: none"> • Ist die Fadenspannung zu stark? Die Fadenspannung einstellen. • Ist die Nadel und der Greifer in der richtigen Position eingebaut? Die Nadelhöhe und die Greiferposition einstellen. • Befindet sich der hintere Nadelschutz in der richtigen Position? Die Position des hinteren Nadelschutzes einstellen. <p>Achtung</p> <ul style="list-style-type: none"> • Es ist gefährlich ein Stück einer abgebrochenen Nadel im Nähgut zu belassen. Bei einem Nadelbruch muß das Nähgut darauf untersucht werden, daß alle Teile der abgebrochenen Nadel entfernt werden. • Es wird außerdem empfohlen geeignete Schritte zu unternehmen, daß immer alle Teile von abgebrochenen Nadeln gesammelt werden, um die Vorschriften für Qualitätsanforderungen richtig zu erfüllen. 	40-41 60-61-63 64
2. Übersprungene Stiche 	<ul style="list-style-type: none"> • Ist die Fadenspannung zu stark oder zu schwach? Die Fadenspannung einstellen. • Ist die Nadelspitze verbogen oder abgebrochen? Die Nadel ersetzen, falls sie verbogen oder abgebrochen ist. • Ist die Nadel und der Greifer in der richtigen Position eingebaut? Die Nadelhöhe und die Greiferposition einstellen. • Sind die Positionen der einzelnen Fadenwege richtig? Die Positionen der Fadenwege einstellen, wie im Abschnitt "Einstellung der Fadenspannung" beschrieben. • Befindet sich der hintere Nadelschutz in der richtigen Position? Die Position des hinteren Nadelschutzes einstellen. • Ist die Greiferspitze abgebrochen? Falls der Greifer beschädigt ist, muß er mit einem Schiefstein glattgeschliffen oder ausgetauscht werden. 	40-41 27 60-61-63 40-46 64 61



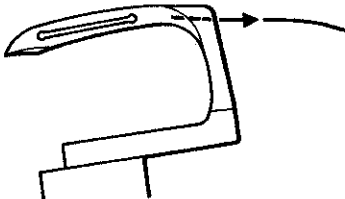
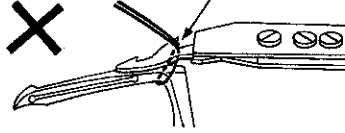
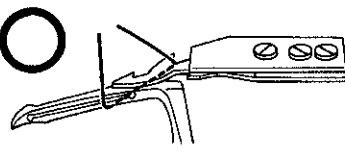
14. FEHLERSUCHE

Störung	Mögliche Ursache	Seite
<p data-bbox="90 274 323 300">3. Gerissener Faden</p> 	<ul style="list-style-type: none"> <li data-bbox="482 274 879 327">• Ist die Fadenspannung zu stark? Die Fadenspannung einstellen. <li data-bbox="482 334 1130 418">• Reißt der verwendete Faden leicht? Die Nähgeschwindigkeit verringern. Die Fadenspannung so gering wie möglich einstellen. <li data-bbox="482 424 962 477">• Ist das Nadelöhr für den Faden zu eng? Eine dickere Nadel verwenden. <li data-bbox="482 484 958 537">• Wird der richtige Nadeltyp verwendet? Eine geeignete Nadel verwenden. <li data-bbox="482 544 1255 597">• Ist die Nadel und der Greifer in der richtigen Position eingebaut? Die Nadelhöhe und die Greiferposition einstellen. <li data-bbox="482 603 1287 687">• Sind die Positionen der einzelnen Fadenwege richtig? Die Positionen der Fadenwege einstellen, wie im Abschnitt "Einstellung der Fadenspannung" beschrieben. <li data-bbox="482 694 1287 822">• Ist die Nadel, der Greifer, die Stichplatte, das Stoffdrückerfußnadelloch oder ein anderes Teil im Fadenweg beschädigt? Ein beschädigtes Teil mit einem Schleifstein glattschleifen oder ersetzen. <li data-bbox="482 829 994 913">• Reißt der Faden wegen überhitzter Nadel? Den Oberfadenkühler verwenden. Die Nähgeschwindigkeit verringern. <li data-bbox="482 920 1232 973">• Befindet sich der hintere Nadelschutz in der richtigen Position? Die Position des hinteren Nadelschutzes einstellen. 	<p data-bbox="1345 305 1408 331">40-41</p> <p data-bbox="1345 371 1408 398">-</p> <p data-bbox="1345 393 1408 420">40-41</p> <p data-bbox="1361 453 1392 480">27</p> <p data-bbox="1361 513 1392 539">27</p> <p data-bbox="1329 572 1423 599">60-61-63</p> <p data-bbox="1345 661 1408 687">40-46</p> <p data-bbox="1361 805 1376 831">-</p> <p data-bbox="1361 864 1392 891">33</p> <p data-bbox="1361 898 1376 924">-</p> <p data-bbox="1361 957 1392 984">64</p>
<p data-bbox="90 1145 451 1198">4. Faden wird nicht oder ungleichmäßig angespannt.</p> 	<ul style="list-style-type: none"> <li data-bbox="482 1152 1000 1205">• Hat der Faden eine ungleichmäßige Dicke? Einen hochwertigen Faden verwenden. <li data-bbox="482 1212 958 1265">• Ist das Nadelöhr für den Faden zu eng? Eine dickere Nadel verwenden. <li data-bbox="482 1271 1282 1355">• Funktionieren die Fadenspannungsscheiben richtig? Die Fadenspannungsscheiben reinigen und vor Fusseln befreien, so daß sie richtig funktionieren können. <li data-bbox="482 1362 1282 1446">• Sind die Positionen der einzelnen Fadenwege richtig? Die Positionen der Fadenwege einstellen, wie im Abschnitt "Einstellung der Fadenspannung" beschrieben. <li data-bbox="482 1453 1204 1506">• Ist im Fadenweg ein Widerstand vorhanden? Den Fadenweg mit einem feinen Schleifpapier glattschleifen. <li data-bbox="482 1513 1248 1566">• Ist die Nadel und der Greifer in der richtigen Position eingebaut? Die Nadelhöhe und die Greiferposition einstellen. <li data-bbox="482 1572 1229 1625">• Befindet sich der hintere Nadelschutz in der richtigen Position? Die Position des hinteren Nadelschutzes einstellen. 	<p data-bbox="1361 1185 1376 1212">-</p> <p data-bbox="1361 1245 1392 1271">27</p> <p data-bbox="1361 1333 1376 1360">-</p> <p data-bbox="1345 1415 1408 1442">40-46</p> <p data-bbox="1361 1475 1376 1501">-</p> <p data-bbox="1329 1535 1423 1561">60-61-63</p> <p data-bbox="1361 1594 1392 1621">64</p>

Störung	Mögliche Ursache	Seite
5. Ungleichmäßige Stichtlänge 	<ul style="list-style-type: none"> Ist der Stoffdrückerfußdruck zu schwach? Den Stoffdrückerfußdruck einstellen. (Bei Verwendung des Transport-Stoffdrückerfußes wird auf Seite 110 verwiesen.) Ist die Höhe des Transporteurs bzw. der Transporteure ungenügend? Die Höhe des Transporteurs bzw. der Transporteure einstellen. 	49 67
6. Nadel sticht ein großes Loch 	<ul style="list-style-type: none"> Ist die Nadel stumpf? Die Nadel gegen eine neue austauschen. Ist die Nadel für das Nähgut zu dick? Eine dünnere Nadel verwenden. 	27 27
7. Fehlerhafte Kettenstiche	<ul style="list-style-type: none"> Ist die Fadenspannung zu stark oder zu schwach? Die Fadenspannung einstellen. Ist die Nadelspitz verbogen oder abgebrochen? Die Nadel ersetzen, falls sie verbogen oder abgebrochen ist. Ist die Nadel und der Greifer in der richtigen Position eingebaut? Die Nadelhöhe und die Greiferposition einstellen. Sind die Positionen der einzelnen Fadenwege richtig? Die Positionen der Fadenwege einstellen, wie im Abschnitt "Einstellung der Fadenspannung" beschrieben. Befindet sich der hintere Nadelschutz in der richtigen Position? Die Position des hinteren Nadelschutzes einstellen. Ist die Greiferspitze abgebrochen? Falls der Greifer beschädigt ist, muß er mit einem Schleifstein glattgeschliffen oder ausgetauscht werden. Ist der Stoffdrückerfußdruck zu schwach? Den Stoffdrückerfußdruck einstellen. (Bei Verwendung des Transport-Stoffdrückerfußes wird auf Seite 110 verwiesen.) 	40-41 27 60-61-63 40-46 64 61 49
8. Zusammengezogene Naht 	<ul style="list-style-type: none"> Ist die Nadel zu dick? Eine für das Nähgut und den verwendeten faden geeignete Nadel verwenden. Ist der Stoffdrückerfußdruck zu stark oder zu schwach? Den Stoffdrückerfußdruck richtig einstellen. (Bei Verwendung des Transport-Stoffdrückerfußes wird auf Seite 110 verwiesen.) Ist die Fadenspannung zu stark? Die Fadenspannung einstellen. Ist die Höhe des Transporteurs bzw. der Transporteure ungenügend? Die Höhe des Transporteurs bzw. der Transporteure einstellen. Ist der Differentialtransport korrekt? (Ausführung 0D2-0) Das Differentialtransportverhältnis einstellen. 	27 49 40-41 67 36

14-2. Fadenabschneider



Störung	Mögliche Ursache	Seite
<p>1. Fehler beim Fadenabschneiden (Ober- bzw. Unterfaden wird nicht abgeschnitten)</p>	<ul style="list-style-type: none"> • Bewegt sich das untere Messer ganz bis zum Ende? Den Hub des Fadenabschneidesolenoids einstellen (Solenoid-Fadenabschneider). Die Höhe der Fadenspannfeder einstellen. Die Position des unteren Messers und der Nadel einstellen. • Bewegt sich der Haken des unteren Messers an der richtigen Position am Greifer vorbei? Die Position des unteren Messers und des Greifers einstellen. • Ist der Eingriff des unteren und oberen Messers richtig? Der Eingriff des unteren und oberen Messers einstellen. • Ist die Kraft der Fadenspannfeder zu schwach? Die Kraft der Fadenspannfeder langsam erhöhen. • Sind die Positionen der Fadenspannfeder und der Fadenspanneinstellfeder richtig? Die Position der Fadenspannfeder und der Fadenspanneinstellfeder einstellen. • Ist das obere bzw. das untere Messer stumpf? Das obere bzw. das untere Messer schärfen oder ersetzen. 	<p>80 84 82</p> <p>81</p> <p>78</p> <p>79</p> <p>75</p> <p>54</p>
<p>2. Großer Längenunterschied der vorstehenden Fadenden beim Nähbeginn</p> 	<ul style="list-style-type: none"> • Ist der Widerstand am Filz im Oberfadenkühler zu groß? Die Rille im Filz mit einem dickeren Faden ausweiten, um den Widerstand zu verringern. Falls sich im Fadenkühler kein Silikonöl befindet, den Filz entfernen. • Ist das obere bzw. das untere Messer stumpf? Das obere bzw. das untere Messer schärfen oder ersetzen. • Wird der Faden mit dem unteren Messer und der Stichplatte nicht abgeschnitten? Die Höhe der Greifer- und der Fadenspannfeder einstellen. (Damit wird die relative Höhe des unteren Messers und der Stichplatte richtig eingestellt.) 	<p>29 - 54 84</p>
<p>3. Vorstehendes Fadenende beim Nähbeginn zu lang. (Falls die Nähmaschine nicht mit einem Fadenwischer ausgerüstet ist, sollte ein kurzes Oberfadenende vorstehen.)</p> 	<ul style="list-style-type: none"> • Ist die Position des oberen Messers zu weit rechts? Die Position des Messeranschlags B einstellen, um das obere Messer in die richtige Position zu stellen. • Ist die Fadenabnahme des Unterfadens zu groß? Die Höhe des Fadenabnahmeblocks für den Oberfaden zum Verringern der Fadenabnahme anheben. 	<p>83 30</p>

Störung	Mögliche Ursache	Seite
<p data-bbox="161 261 520 371">4. Keine Naht am Nähbeginn Der Faden wird beim Nähbeginn aus der Nadel oder dem Greifer gezogen.</p>    <p data-bbox="294 1198 467 1238">Abschneiden von zwei Fadensträngen</p>  	<ul style="list-style-type: none"> <li data-bbox="550 267 1271 318">• Ist die Druck der Fadenspannmutter zu stark oder zu gering? Den Druck der Fadenspannmutter einstellen. <li data-bbox="550 327 1099 378">• Ist die Nähmaschine richtig eingefädelt? Bei einem Fehler den Faden richtig einfädeln. <li data-bbox="550 387 1357 497">• Wird der Oberfaden durch das untere Messer und die Fadenspannfeder nicht abgeschnitten (vorstehendes Oberfadenende zu kurz)? Die Position des unteren Messer und der Fadenspannfeder einstellen. <li data-bbox="550 506 1357 639">• Wird der Oberfaden mit dem unteren Messer und der Stichplatte nicht abgeschnitten? Die Höhe der Greifer- und der Fadenspannfeder einstellen. (Damit wird die relative Höhe des unteren Messers und der Stichplatte richtig eingestellt.) <li data-bbox="550 648 1357 780">• Sind die Ober- und Unterfadenenden nach dem Abschneiden zu kurz? Die Fadenabnahmeblöcke für den Ober- und Unterfaden absenken, um die Fadenabnahme zu erhöhen. Falls die Unterfadenführung R in der Position ② steht, die Führung in die Position ① stellen. <li data-bbox="550 789 1357 833">• Die Position des oberen Messeranschlags B einstellen, um das obere Messer in die richtige Position zu stellen. <li data-bbox="550 842 1357 1050">• Wird der Faden durch die Fadenspannfeder gehalten? Falls sich das untere Messer zu stark nach links bewegt, wird der Unterfaden durch den Haken des Oberfadens abgeschnitten. Die Position des unteren Messers und der Nadel einstellen. Die Position des unteren Messers und der Fadenspannfeder einstellen. Die Position des unteren Messers und des Greifers einstellen. Den Druck der Fadenspannfeder leicht erhöhen. <li data-bbox="550 1059 1357 1194">• Springt der Unterfaden beim Abschneiden ab? Einen stärkeren Unterfaden verwenden. Die Unterfadenführung R in die Position ③ stellen. Den Fadenabnahmeblock für den Unterfaden anheben, um die Fadenabnahme zu reduzieren. <li data-bbox="550 1203 1357 1313">• Werden zwei Oberfadenstränge abgeschnitten? Die Position des unteren Messers und des Greifers einstellen, so daß sich das untere Messer an der richtigen Position am Greifer vorbeibewegt. 	<p data-bbox="1415 294 1478 316">40-41</p> <p data-bbox="1415 349 1478 371">28-30</p> <p data-bbox="1431 471 1462 493">75</p> <p data-bbox="1431 614 1462 637">84</p> <p data-bbox="1431 692 1462 714">30</p> <p data-bbox="1431 758 1462 780">47</p> <p data-bbox="1431 802 1462 825">83</p> <p data-bbox="1431 913 1462 935">82</p> <p data-bbox="1431 979 1462 1002">75</p> <p data-bbox="1431 1002 1462 1024">81</p> <p data-bbox="1431 1024 1462 1046">79</p> <p data-bbox="1431 1090 1462 1112">-</p> <p data-bbox="1431 1112 1462 1134">47</p> <p data-bbox="1431 1178 1462 1201">30</p> <p data-bbox="1431 1289 1462 1311">81</p>

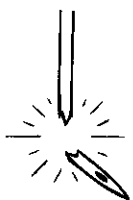

14. RESOLUTION DES PROBLEMES

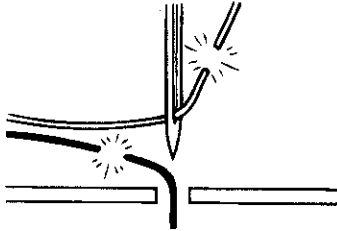
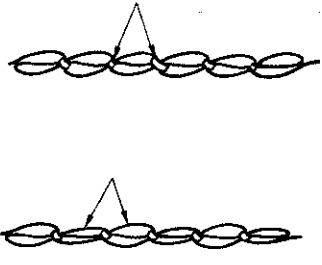
- Si les performances de la machine ne sont pas satisfaisantes, vérifier en premier lieu que l'aiguille été correctement installée et que l'enfilage a été correctement effectué.
- Vérifier les points suivants avant de faire appel à un technicien.
- Si les suggestions suivantes ne vous permettent pas de résoudre le problème, mettez l'interrupteur d'alimentation de la machine sur la position d'arrêt et contactez le centre technique Brother le plus proche.

⚠ ATTENTION



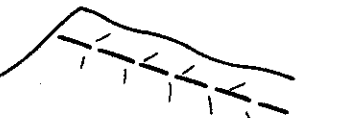
-  Le moteur continuera de tourner en raison de sa propre inertie après qu'on ait coupé l'alimentation électrique, sinon la machine risquera de se mettre en marche si on enfonce accidentellement la pédale, et donc de causer des blessures.
-  Débrancher les tuyaux d'air de l'alimentation d'air et attendre que l'aiguille de la jauge de pression soit descendue jusqu' à "0" avant d'entreprendre les vérifications, les réglages ou les réparations de pièces utilisant l'équipement pneumatique.

14-1. Tête de machine

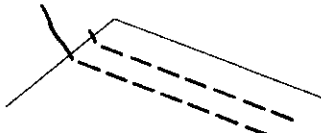
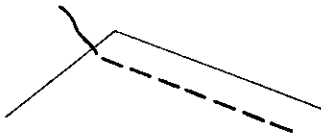
Problème	Cause possible	Page
<p>1. L'aiguille casse.</p> 	<ul style="list-style-type: none"> • La tension du fil est-elle trop forte? Régler la tension du fil. • L'aiguille et le boucleur sont-ils installés aux positions correctes? Régler la hauteur de l'aiguille et la position du boucleur. • La position du protège-aiguille arrière est-elle correcte? Régler la position du protège-aiguille arrière. <p>Précaution</p> <ul style="list-style-type: none"> • Il est très dangereux de laisser des morceaux d'aiguille cassée plantés dans le tissu. Si l'aiguille casse, recueillir tous les morceaux cassés de l'aiguille toute entière. • En outre, nous recommandons de veiller à ce que ces aiguilles soient bien conformes aux règlements de responsabilité du produit. 	<p>40-42</p> <p>60-61-63</p> <p>64</p>
<p>2. Points sautés</p> 	<ul style="list-style-type: none"> • La tension du fil est-elle trop forte ou trop faible? Régler la tension du fil. • La pointe de l'aiguille est-elle tordue ou cassée? Remplacer l'aiguille si elle est tordue ou cassée. • L'aiguille et le boucleur sont-ils installés aux positions correctes? Régler la hauteur de l'aiguille et la position du boucleur. • Les positions des passages de fils sont-elles correctes? Régler les positions des passages de fils en se reportant à la section "Réglage de la tension du fil". • La position du protège-aiguille arrière est-elle correcte? Régler la position du protège-aiguille arrière. • La pointe du boucleur est-elle cassée? Si le boucleur est abîmé, le poncer avec une meule huilée ou le remplacer. 	<p>40-42</p> <p>27</p> <p>60-61-63</p> <p>40-46</p> <p>64</p> <p>61</p>

Problème	Cause possible	Page
<p>3. Le fil casse.</p> 	<ul style="list-style-type: none"> • La tension du fil est-elle trop forte? Régler la tension du fil. • Le fil que l'on utilise casse-t-il facilement? Diminuer la vitesse de couture. Régler la tension du fil à la plus faible tension possible. • Le chas de l'aiguille est-il trop étroit pour le fil? Remplacer l'aiguille par une aiguille du calibre immédiatement supérieur. • Utilise-t-on le type d'aiguille correct? Remplacer par une aiguille du type correct. • L'aiguille et le boucleur sont-ils installés aux positions correctes? Régler la hauteur de l'aiguille et la position du boucleur. • Les positions des passages de fils sont-elles correctes? Régler les positions des passages de fils en se reportant à la section "Réglage de la tension du fil". • L'aiguille, le boucleur, la plaque à aiguille, le trou d'aiguille du pied presseur ou une partie du passage de fil sont-ils rompus? Si une pièce est endommagée, la poncer à l'aide d'une meule huilée ou remplacer la pièce cassée. • Le fil casse-t-il en raison de la chaleur de l'aiguille qui s'échauffe? Utiliser le refroidisseur de fil d'aiguille. Diminuer la vitesse de couture. • La position du protège-aiguille arrière est-elle correcte? Régler la position du protège-aiguille arrière. 	<p>40-42</p> <p>–</p> <p>40-42</p> <p>27</p> <p>27</p> <p>60-61-63</p> <p>40-46</p> <p>–</p> <p>33</p> <p>–</p> <p>64</p>
<p>4. Le fil n'est pas serré, ou il est irrégulièrement serré.</p> 	<ul style="list-style-type: none"> • L'épaisseur du fil est-elle irrégulière? Utiliser un fil de bonne qualité. • Le chas de l'aiguille est-il trop étroit pour le fil? Remplacer l'aiguille par une aiguille du calibre immédiatement supérieur. • Les disques de tension de fil fonctionnent-ils correctement? Eliminer les impuretés pouvant se trouver entre les disques de tension de fil afin qu'ils puissent fonctionner correctement. • Les positions des passages de fils sont-elles correctes? Régler les positions des passages de fils en se reportant à la section "Réglage de la tension du fil". • Les fils ne se déplacent-ils pas bien régulièrement dans les passages de fils? Poncer les passages de fils à l'aide d'une lime ou de papier de verre fins. • L'aiguille et le boucleur sont-ils installés aux positions correctes? Régler la hauteur de l'aiguille et la position du boucleur. • La position du protège-aiguille arrière est-elle correcte? Régler la position du protège-aiguille arrière. 	<p>–</p> <p>27</p> <p>–</p> <p>40-46</p> <p>–</p> <p>60-61-63</p> <p>64</p>



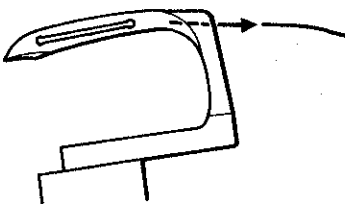
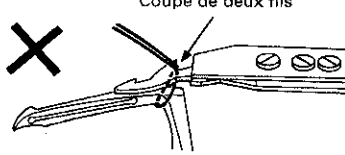
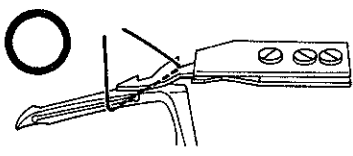
14. RESOLUTION DES PROBLEMES

Problème	Cause possible	Page
<p>5. Longueur des points irrégulière</p> 	<ul style="list-style-type: none"> • La pression du pied presseur est-elle trop faible? Régler la pression du pied presseur. (Si l'on utilise le pied presseur d'entraînement, se reporter à la page 110.) • La hauteur de la (des) griffe(s) d'entraînement est-elle insuffisante? Régler la hauteur de la (des) griffe(s) d'entraînement. 	<p>49</p> <p>67</p>
<p>6. Le trou fait par l'aiguille est trop large.</p> 	<ul style="list-style-type: none"> • L'aiguille est-elle émoussée? Remplacer l'aiguille. • L'aiguille est-elle trop grosse pour le tissu? Remplacer l'aiguille par une aiguille du calibre immédiatement inférieur. 	<p>27</p> <p>27</p>
<p>7. Le point de fin de chaînette n'est pas correctement formé.</p>	<ul style="list-style-type: none"> • La tension du fil est-elle trop forte ou trop faible? Régler la tension du fil. • La pointe de l'aiguille est-elle tordue ou cassée? Remplacer l'aiguille si elle est tordue ou cassée. • L'aiguille et le boucleur sont-ils installés aux positions correctes? Régler la hauteur de l'aiguille et la position du boucleur. • Les positions des passages de fils sont-elles correctes? Régler les positions des passages de fils en se reportant à la section "Réglage de la tension du fil". • La position du protège-aiguille arrière est-elle correcte? Régler la position du protège-aiguille arrière. • La pointe du boucleur est-elle cassée? Si le boucleur est abîmé, le poncer avec une meule huilée ou le remplacer. • La pression du pied presseur est-elle trop faible? Régler la pression du pied presseur. (Si l'on utilise le pied presseur d'entraînement, se reporter à la page 110.) 	<p>40-42</p> <p>27</p> <p>60-61-63</p> <p>40-46</p> <p>64</p> <p>61</p> <p>49</p>
<p>8. Le tissu est très plissé autour de la couture.</p> 	<ul style="list-style-type: none"> • L'aiguille est-elle trop grosse? Choisir une aiguille qui convienne au tissu et au fil. • La pression du pied presseur est-elle trop forte ou trop faible? Régler correctement la pression du pied presseur. (Si l'on utilise le pied presseur d'entraînement, se reporter à la page 110.) • La tension du fil est-elle trop forte? Régler la tension du fil. • La hauteur de la (des) griffe(s) d'entraînement est-elle adéquate? Régler la hauteur de la (des) griffe(s) d'entraînement. • La quantité d'entraînement différentiel est-elle adéquate? (spécifications OD2-0) Régler le rapport d'entraînement différentiel. 	<p>27</p> <p>49</p> <p>40-42</p> <p>67</p> <p>36</p>

14-2. Coupe-fils

Problème	Cause possible	Page
<p>1. Erreurs de coupe des fils (le fil d'aiguille et/ou le fil de boucleur ne sont pas coupés)</p>	<ul style="list-style-type: none"> • Le couteau inférieur se déplace-t-il à fond vers le bord gauche? Régler la course du solénoïde de coupe-fils. (pour le coupe-fils à solénoïde) Régler la hauteur du ressort de pince-fil. Régler la position du couteau inférieur et de l'aiguille. • Le crochet du couteau inférieur passe-t-il par le boucleur à la position correcte? Régler la position du couteau inférieur et du boucleur. • La quantité de chevauchement du couteau supérieur et du couteau inférieur est-elle correcte? Régler la quantité de chevauchement du couteau supérieur et du couteau inférieur. • La pression du ressort de pince-fil est-elle trop faible? Augmenter progressivement la pression du ressort de pince-fil. • La position du ressort de pince-fil et du ressort de réglage de pince-fil est-elle correcte? Régler la position du ressort de pince-fil et du ressort de réglage de pince-fil. • Le couteau supérieur et/ou le couteau inférieur sont-ils émoussés? Aiguiser ou remplacer le couteau supérieur et/ou le couteau inférieur. 	<p>80 84 82</p> <p>81</p> <p>78</p> <p>79</p> <p>75</p> <p>54</p>
<p>2. Grande différence des longueurs de fil d'aiguille en excès en début de couture</p> 	<ul style="list-style-type: none"> • La résistance du feutre au fil dans le refroidisseur de fil d'aiguille est-elle excessive? Ouvrir la rainure du feutre en utilisant un fil plus gros pour amoindrir la résistance. S'il n'y a pas d'huile de silicone dans le refroidisseur de fil d'aiguille, retirer le feutre. • Le couteau supérieur et/ou le couteau inférieur sont-ils émoussés? Aiguiser ou remplacer le couteau supérieur et/ou le couteau inférieur. • Le fil n'est-il pas coupé par le couteau inférieur et la plaque à aiguille? Régler la hauteur du boucleur et du ressort de pince-fil. (Ceci permettra de régler les hauteurs relatives du couteau inférieur et de la plaque à aiguille aux hauteurs correctes.) 	<p>31</p> <p>-</p> <p>54</p> <p>84</p>
<p>3. La longueur de fil d'aiguille en excès en début de couture est trop grande. (Si la machine à coudre n'est pas équipée d'un tire-fils, il doit normalement rester une petite longueur de fil d'aiguille.)</p> 	<ul style="list-style-type: none"> • La position du couteau supérieur est-elle excessivement décalée vers la droite? Régler la position de la butée B du couteau supérieur pour régler le couteau supérieur à la position correcte. • La quantité de relèvement du fil d'aiguille est-elle excessive? Elever la hauteur du blocage de releveur de fil d'aiguille afin de diminuer la quantité de relèvement du fil. 	<p>83</p> <p>32</p>

14. RESOLUTION DES PROBLEMES

Problème	Cause possible	Page
<p>4. La couture n'est pas formée en début de couture. Le fil se défait de l'aiguille ou du boucleur en début de couture.</p>    <p>Coupe de deux fils</p>  	<ul style="list-style-type: none"> • La pression de l'écrou de tension de fil est-elle trop forte ou trop faible? Régler la pression de l'écrou de tension de fil. • Le fil de la machine est-il correctement enfilé? S'il ne l'est pas, l'enfiler correctement. • Le fil d'aiguille n'est-il pas coupé par le couteau inférieur et le ressort de pince-fil? (La longueur de fil d'aiguille en excès est trop courte.) Régler la position du couteau inférieur et du ressort de pince-fil. • Le fil d'aiguille n'est-il pas coupé par le couteau inférieur et la plaque à aiguille? Régler la hauteur du boucleur et du ressort de pince-fil. (Ceci permettra de régler les hauteurs relatives du couteau inférieur et de la plaque à aiguille aux valeurs correctes.) • La longueur du fil d'aiguille et du fil de boucleur en excès est-elle trop courte après la coupe des fils? Abaisser les blocages de releveur de fil d'aiguille et de fil de boucleur afin d'augmenter les quantités de relèvement de fil. Si le guide R de fil de boucleur a été réglé à la position B, le mettre sur la position A. Régler la position de la butée B de couteau supérieur pour placer le couteau supérieur à la position correcte. • Le ressort de pince-fil pince-t-il bien le fil de boucleur? Si le couteau inférieur se déplace excessivement vers la gauche, le fil de boucleur sera coupé par le crochet de coupe de fil d'aiguille. Régler la position du couteau inférieur et de l'aiguille. Régler la position du couteau inférieur et du ressort de pince-fil. Régler la position du couteau inférieur et du boucleur. Augmenter légèrement la pression du ressort de pince-fil. • Le fil de boucleur claque-t-il pendant la coupe des fils? Utiliser un fil plus solide comme fil de boucleur. Mettre le guide R de fil de boucleur à la position B. Elever le blocage de releveur de fil de boucleur afin de réduire la quantité de relèvement du fil. • Deux fils d'aiguille sont-ils coupés? Régler la position du couteau inférieur et du boucleur de manière que le crochet du couteau inférieur passe par le boucleur à la position correcte. 	<p>40-42</p> <p>28-31-32</p> <p>75</p> <p>84</p> <p>32</p> <p>47</p> <p>83</p> <p>82</p> <p>75</p> <p>81</p> <p>79</p> <p>-</p> <p>47</p> <p>32</p> <p>81</p>

14. LOCALIZACION DE AVERIAS

- Si el funcionamiento de la máquina resulta insatisfactorio, se debe confirmar en primer lugar que la aguja ha sido instalada correctamente y da que se ha enhebrado en forma correcta.
- Se recomienda verificar los siguientes puntos antes de acudir a un centro de servicio autorizado.
- Si las sugerencias a continuación no sirven para solucionar el problema, desconectar el interruptor principal y consultar al centro de servicio Brother más cercano.

⚠ ATENCION

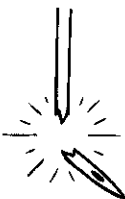



- Desconectar el interruptor principal y desconectar el cable de alimentación antes de localizar averías, de lo contrario la máquina podría comenzar a funcionar si por descuido se pisara el pedal, lo que podría resultar en heridas.

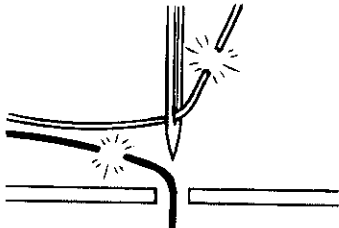
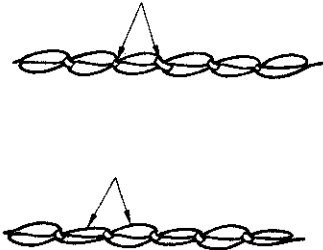




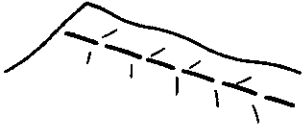
- Desconectar las mangueras de aire de la alimentación de aire y espere que la aguja del indicador de presión baje a "0" antes de realizar la inspección, ajuste y reparación de cualquier de las partes que usan el equipo neumático.

14-1. Cabeza de la máquina

Problema	Causa posible	Página
1. La aguja se rompe 	<ul style="list-style-type: none"> • ¿La tensión del hilo es demasiada? Ajustar la tensión del hilo. • ¿La aguja y el ojo-guía están instalados en la posición correcta? Ajustar la altura de la aguja y la posición del ojo-guía. • ¿La posición del protector trasero de agujas es correcto? Ajustar la posición del protector trasero de agujas. <p>Precaucion</p> <ul style="list-style-type: none"> • Es extremadamente peligroso dejar pedazos de agujas rotas en el material. Si se rompe una aguja, se deben buscar todos los pedazos hasta haber encontrado toda la aguja. • Además, recomendamos que se tengan en cuenta todas las precauciones necesarias para cumplir con la reglamentaciones de responsabilidad civil de los productos respecto a agujas rotas. 	40-42 60-61-63 64
2. Puntadas saltadas 	<ul style="list-style-type: none"> • ¿La tensión del hilo es demasiado fuerte o débil? Ajustar la tensión del hilo. • ¿La punta de la aguja está doblada o rota? Cambiar la aguja si está doblada o rota. • ¿La aguja y el ojo-guía están instalados en la posición correcta? Ajustar la altura de la aguja y la posición del ojo-guía. • ¿Las posiciones de cada uno de los pasajes de hilo son correctas? Ajustar las posiciones de los pasajes de hilo consultando la sección "Ajuste de la tensión del hilo". • ¿La posición del protector trasero de agujas es correcto? Ajustar la posición del protector trasero de agujas. • ¿La punta del ojo-guía está rota? Si el ojo-guía está dañado, pulirlo con una piedra de pulir o cambiarlo. 	40-42 27 60-61-63 40-46 64 61

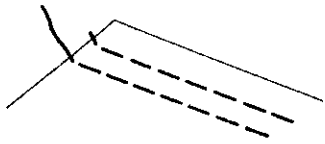
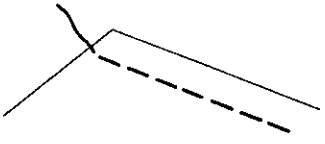
14. LOCALIZACION DE AVERIAS



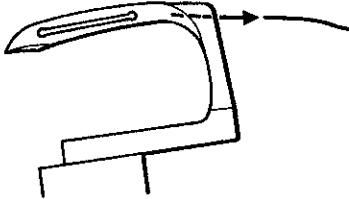
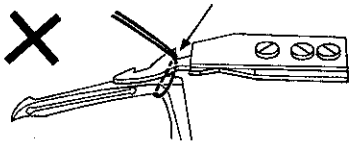
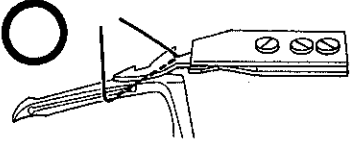
Problema	Causa posible	Página
<p>3. Hilos rotos</p> 	<ul style="list-style-type: none"> • ¿La tensión del hilo es demasiada? Ajustar la tensión del hilo. 40-42 • ¿Se está usando un hilo del tipo que se rompe fácilmente? Reducir la velocidad de costura. Ajustar la tensión del hilo de manera que sea lo más débil posible. 40-42 • ¿El orificio de la aguja es demasiado angosto comparado con el hilo? Cambiar la aguja por una aguja un poco mas gruesa. 27 • ¿Se está usando el tipo correcto de aguja? Cambiar por el tipo correcto de aguja. 27 • ¿La aguja y el ojo-guía están instalados en la posición correcta? Ajustar la altura de la aguja y la posición del ojo-guía. 60-61-63 • ¿Las posiciones de cada uno de los pasajes de hilo son correctas? Ajustar las posiciones de los pasajes de hilo consultando la sección "Ajuste de la tensión del hilo". 40-46 • ¿La aguja, el ojo-guía, la placa de agujas, el orificio de aguja del prensatelas o una parte a lo largo del pasaje del hilo está roto? Si alguna de las piezas estuviera rota, pulirla con una piedra de pulir o cambiarla. - • ¿El hilo se rompe debido al calor de la aguja caliente? Usar el enfriador de hilo de aguja. Reducir la velocidad de costura. 33 • ¿La posición del protector trasero de agujas es correcto? Ajustar la posición del protector trasero de agujas. 64 	
<p>4. El hilo no está bien tenso o la tensión es despareja</p> 	<ul style="list-style-type: none"> • ¿El hilo tiene grosor desparejo? Usar hilo de buena calidad. - • ¿El orificio de la aguja es demasiado angosto comparado con el hilo? Cambiar la aguja por una aguja un poco mas gruesa. 27 • ¿Los discos de tensión del hilo funcionan suavemente? Limpiar cualquier pelusa entre los discos de tensión del hilo de manera que funcionen suavemente. - • ¿Las posiciones de cada uno de los pasajes de hilo son correctas? Ajustar las posiciones de los pasajes de hilo consultando la sección "Ajuste de la tensión del hilo". 40-46 • ¿Los hilos se mueven suavemente a lo largo de los pasajes de hilo? Suavizar los pasajes de hilo usando una lima fina o papel de lija. - • ¿La aguja y el ojo-guía están instalados en la posición correcta? Ajustar la altura de la aguja y la posición del ojo-guía. 60-61-63 • ¿La posición del protector trasero de agujas es correcto? Ajustar la posición del protector trasero de agujas. 64 	

Problema	Causa posible	Página
<p>5. Largo de puntada desapareja</p> 	<ul style="list-style-type: none"> • ¿La presión del prensatelas es demasiado débil? Ajustar la presión del prensatelas. (Si se usa el prensatelas alimentador, consultar la página 110.) • ¿La altura del(los) alimentador(es) es poca? Ajustar la altura del(los) alimentador(es). 	<p>49</p> <p>67</p>
<p>6. El orificio de la aguja es demasiado ancho.</p> 	<ul style="list-style-type: none"> • ¿La aguja tiene la punta roma? Cambiarla por una aguja nueva. • ¿La aguja es demasiado gruesa para el material? Cambiar la aguja por una aguja que sea un poco más fina. 	<p>27</p> <p>27</p>
<p>7. Las puntadas de cadena libre no se forman correctamente.</p>	<ul style="list-style-type: none"> • ¿La tensión del hilo es demasiado fuerte o débil? Ajustar la tensión del hilo. • ¿La punta de la aguja está doblada o rota? Cambiar la aguja si está doblada o rota. • ¿La aguja y el ojo-guía están instalados en la posición correcta? Ajustar la altura de la aguja y la posición del ojo-guía. • ¿Las posiciones de cada uno de los pasajes de hilo son correctas? Ajustar las posiciones de los pasajes de hilo consultando la sección "Ajuste de la tensión del hilo". • ¿La posición del protector trasero de agujas es correcto? Ajustar la posición del protector trasero de agujas. • ¿La punta del ojo-guía está rota? Si el ojo-guía está dañado, pulirlo con una piedra de pulir o cambiarlo. • ¿La presión del prensatelas es demasiado débil? Ajustar la presión del prensatelas. (Si se usa el prensatelas alimentador, consultar la página 110.) 	<p>40-42</p> <p>27</p> <p>60-61-63</p> <p>40-46</p> <p>64</p> <p>61</p> <p>49</p>
<p>8. El material se encarruja alrededor de la costura.</p> 	<ul style="list-style-type: none"> • ¿La aguja es demasiado gruesa? Seleccionar una aguja adecuada para el material y el hilo. • ¿La presión del prensatelas es demasiado fuerte o demasiado débil? Ajustar la presión del prensatelas a la presión correcta. (Si usa el prensatelas alimentador, consultar la página 110.) • ¿La tensión del hilo es demasiada? Ajustar la tensión del hilo. • ¿La altura del(los) alimentador(es) es la correcta? Ajustar la altura del(los) alimentador(es). • ¿La cantidad de alimentación diferencial es la correcta? (Especificaciones 0D2-0) Ajustar la relación de alimentación diferencial. 	<p>27</p> <p>49</p> <p>40-42</p> <p>67</p> <p>36</p>

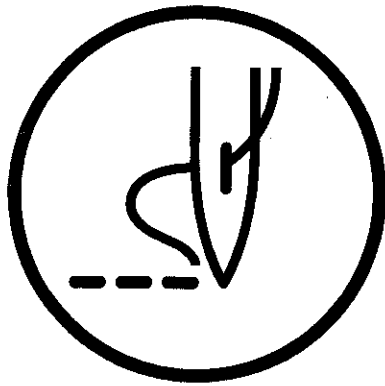
14. LOCALIZACION DE AVERIAS

14-2. Cortahilos

Problema	Causa posible	Página
<p>1. Errores del cortahilos (hilo de aguja y/o hilo de ojo-guía no es cortado)</p>	<ul style="list-style-type: none"> • La cuchilla inferior se mueve todo a través del borde izquierdo? Ajustar el recorrido del solenoide del cortahilos. (para cortahilos de tipo solenoide) Ajustar la altura del resorte de la pinza de hilo. Ajustar las posiciones de la cuchilla inferior y la aguja. • El gancho de la cuchilla inferior pasa por el ojo-guía en la posición correcta? Ajustar las posiciones de la cuchilla inferior y el ojo-guía. • La superposición de la cuchilla superior y la cuchilla inferior es la correcta? Ajustar la superposición de la cuchilla superior y la cuchilla inferior. • La presión del resorte de la pinza de hilo es demasiado débil? Aumentar gradualmente la presión del resorte de la pinza de hilo. • Las posiciones del resorte de la pinza de hilo y el resorte de ajuste de la pinza de hilo son correctas? Ajustar las posiciones del resorte de la pinza de hilo y el resorte de ajuste de la pinza de hilo. • La cuchilla superior y/o la cuchilla inferior están despuntadas? Afilarse o cambiar la cuchilla superior y/o la cuchilla inferior. 	<p>80 84 82</p> <p>81</p> <p>78</p> <p>79</p> <p>75</p> <p>54</p>
<p>2. Diferencia grande en la longitud libre del hilo de aguja al comienzo de la costura</p> 	<ul style="list-style-type: none"> • La resistencia del hilo en el enfriador del hilo de aguja es demasiado grande? Abrir la ranura en el fieltro usando un hilo grueso para reducir la resistencia. Si no existe aceite de siliconas en el enfriador del hilo de aguja, desmontar el fieltro. • La cuchilla superior y/o la cuchilla inferior están despuntadas? Afilarse o cambiar de la cuchilla superior y/o la cuchilla inferior. • El hilo no es cortado por la cuchilla inferior y la placa de aguja? Ajustar la altura del ojo-guía y el resorte de la pinza de hilo. (Esto ajustará las alturas relativas de la cuchilla inferior y la placa de aguja para corregir las alturas.) 	<p>31</p> <p>—</p> <p>54</p> <p>84</p>
<p>3. El largo libre del hilo de aguja al comienzo de la costura es demasiado. (Si la máquina de coser no está equipada con un limpia-hilos, debe haber un pequeño sobrante de hilo de aguja.)</p> 	<ul style="list-style-type: none"> • La posición de la cuchilla superior está demasiado a la derecha? Ajustar la posición del tope de la cuchilla superior B para ajustar la cuchilla superior a la posición correcta. • La cantidad de hilo de aguja que tira es demasiado? Levante la altura del bloque del tirador de hilo para el hilo de aguja para reducir la cantidad de hilo que tira. 	<p>83</p> <p>32</p>

Problema	Causa posible	Página
<p>4. No se forma el comienzo de la costura. El hilo tira de la aguja o el ojo-guía al comienzo de la costura.</p>    <p>Corte de dos hebras</p>  	<ul style="list-style-type: none"> • La presión de la tuerca de tensión del hilo es demasiado fuerte o es demasiado débil? Ajustar la presión de la tuerca de tensión del hilo. • La máquina está bien enhebrada? Si está mal, enhebrar el hilo correctamente. • Si el hilo de aguja no es cortado por la cuchilla inferior y el resorte de la pinza de hilo? (Largo del hilo de aguja libre es demasiado corto.) Ajustar las posiciones de la cuchilla inferior y el resorte de la pinza de hilo. • Si el hilo de aguja no es cortado por la cuchilla inferior y la placa de aguja? Ajustar la altura del ojo-guía y el resorte de la pinza de hilo. (Es para ajustar las alturas relativas de la cuchilla inferior y la placa de aguja para corregir las alturas.) • El largo libre del hilo de aguja y hilo de ojo-guía es demasiado corto después de cortar el hilo? Baje el bloque del tirador de hilo para el hilo de aguja y hilo de ojo-guía para aumentar la cantidad de hilo que tira. • Si el guiahilos del ojo-guía R ha sido ajustado a la posición B, cámbiela a la posición A. Ajustar la posición del tope la cuchilla superior B para ajustar la cuchilla superior a la posición correcta. • El resorte de la pinza de hilo sostiene el hilo del ojo-guía? Si la cuchilla inferior se mueve demasiado hacia la izquierda, el hilo del ojo-guía será cortado por gancho de corte del hilo de aguja. Ajustar la posición la cuchilla inferior y la aguja. Ajustar las posiciones de la cuchilla inferior y el resorte de la pinza de hilo. Ajustar las posiciones la cuchilla inferior y el ojo-guía. Aumentar ligeramente la presión del resorte de la pinza de hilo. • El hilo del ojo-guía se escapa durante el corte de hilo? Usar un hilo más fuerte para el hilo del ojo-guía. Ajustar el guiahilos del ojo-guía R a la posición B. Levantar el bloque del tirador de hilo para el hilo del ojo-guía para reducir la cantidad de hilo que tira. • Las dos hebras del hilo de aguja son cortadas? Ajustar las posiciones de la cuchilla inferior y el ojo-guía de manera que el gancho la cuchilla inferior pase el ojo-guía en la posición correcta. 	<p>40-42</p> <p>28-31-32</p> <p>75</p> <p>84</p> <p>32</p> <p>47</p> <p>83</p> <p>82</p> <p>75</p> <p>81</p> <p>79</p> <p>-</p> <p>47</p> <p>32</p> <p>81</p>

brother[®]



INSTRUCTION MANUAL
BEDIENUNGSANLEITUNG
MANUEL D'INSTRUCTIONS
MANUAL DE INSTRUCCIONES

BROTHER INDUSTRIES, LTD. NAGOYA, JAPAN

Printed in Japan / Gedruckt in Japan / Imprimé au Japon / Impreso en Japón

118-266
S91266-002
1997.11. H ①