

LK3-B434E

LK3- B434EX

LK3-B434EX/SF

Electronic Lockstitch Pattern Tacker
Electronic Lockstitch Pattern Tacker
with Stepping Foot



Specifications

Model	LK3-B434E	LK3-B434EX	LK3-B434EX / SF
Application	Thin, medium, heavy, extra heavy materials	Medium, extra heavy materials	Extra heavy materials
Stitch formation	Single needle lock stitch		
Max. sewing speed	2,000 rpm (Pitch 3 mm *1)		
Max. pattern size	Max. 100 × 60 mm		
Feed mechanism	R-θ intermittent feed mechanism (pulse-motor driven mechanism)		
Stitch length	0.1-10.0 mm		
Max. stitch number	5,000 stitches (including 4,000 stitches which can be added)		
Work clamp lifter	Solenoid type or pneumatic type		Pneumatic type
Work clamp height	For solenoid : 17 mm max. For pneumatic : 20 mm max. (Max. 17 mm for inner clamping device)		20 mm max.
Hook	Shuttle hook (×1.8 shuttle hook, optional)		
Wiper device	Standard equipment		
Thread trimmer device	Standard equipment		
Stepping foot lift amount	18 mm (Stepping foot specifications only)		
Stepping foot stroke	0, 3-8 mm (Stepping foot specifications only)		
Safety equipment	Built-in stopping mechanism		
Data storage method	PROM (Any sewing pattern can be added using BAS-PC/300)		
No. of stored data	Up to 50 patterns can be added. Total number of stitches of stored data which can be added is within 4,000.		
Motor	Three phase 400W induction motor		
Weights	Machine head: 49kg Control box: 9-19kg (depending on destination)		Machine head: 50kg Control box: 9-19kg (depending on destination)
Power supply	Single phase 220-230V Three phase 220, 380, 400, 415V Max. electric power consumption; 600VA		

*1 Because of the R-θ feed, sewing at maximum speed may not be possible for some sewing data, even if the sewing pitch is set to 3 mm or less.

Main use

Patterns up to a maximum size of 100 mm × 60 mm can be sewn.

For plain stitching of small articles, curtain darts, etc.

Two-stage work clamp, light work clamp and inner clamping device can be used (for pneumatic).

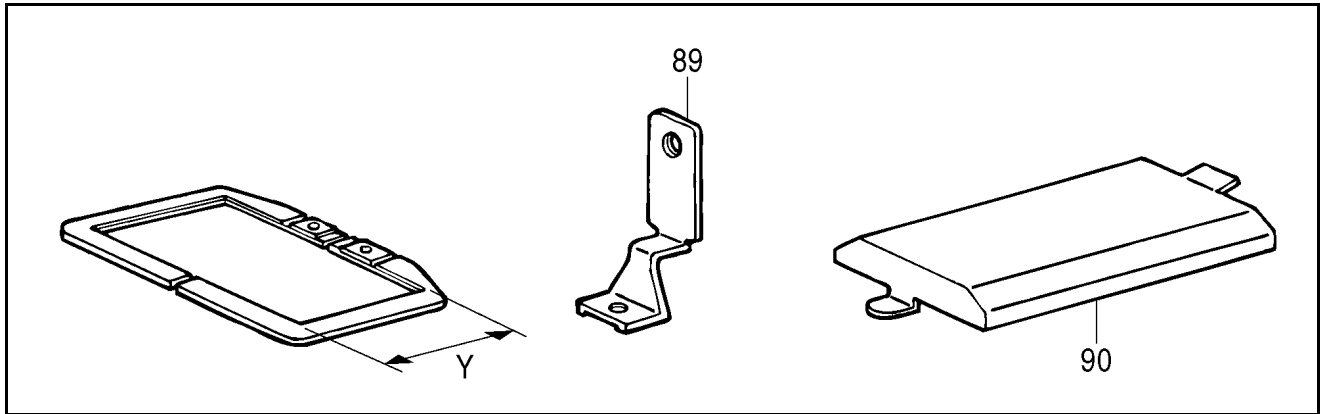
For attaching items, sewing labels, etc.

If you want to sew a stitching pattern, you can create your original pattern using the BAS-PC/300.

Consult with your local Brother Sales Office for details.

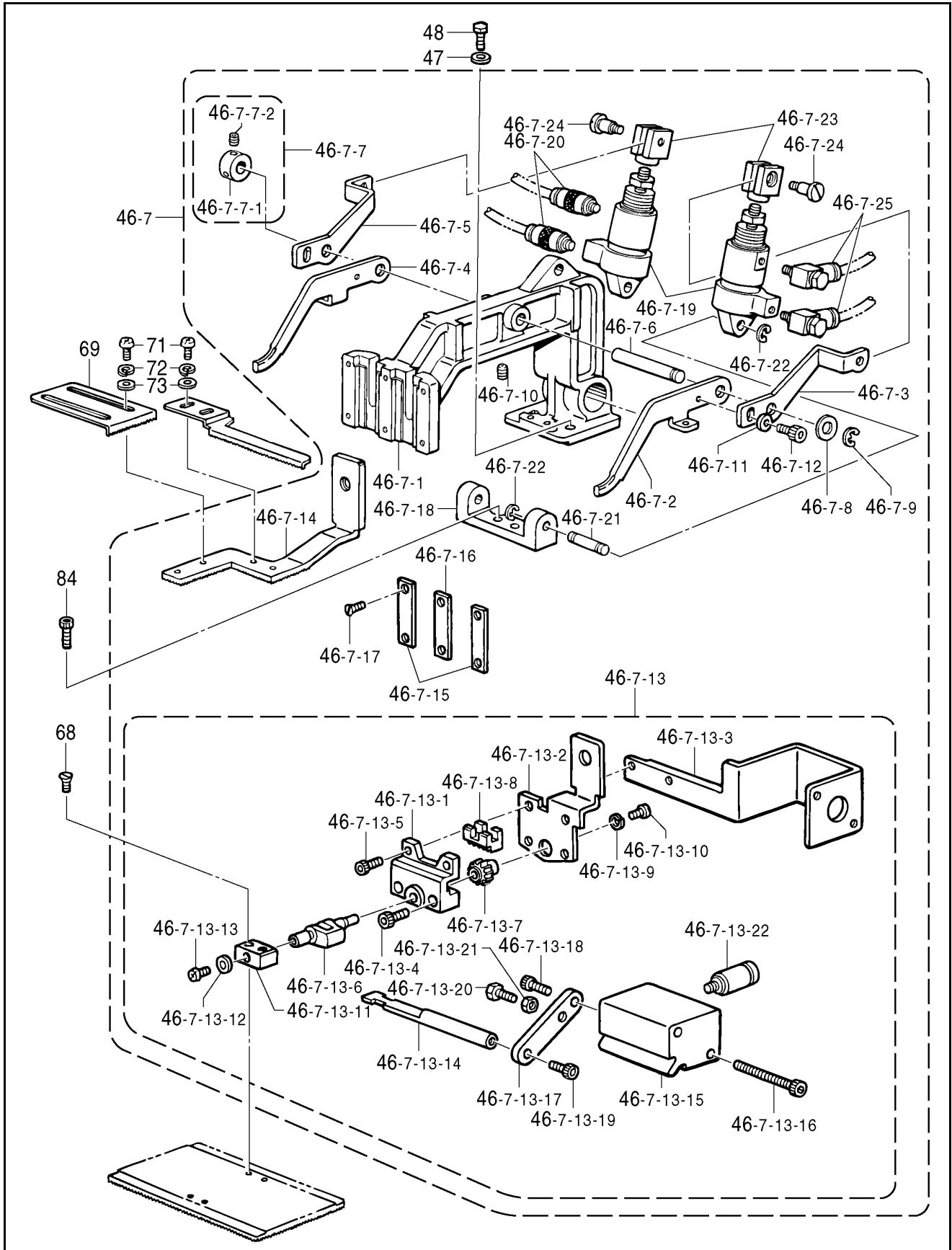
*If you wish to create sewing patterns or modify the presser foot and feed plate yourself, please order the LK3-B434EX. (At the time of shipment, the P-ROM for the B434EX will be blank and the presser foot and feed plate will be unmodified.)

Feed mechanism



Ref. No.	Part name	Part code	Q'ty
	<For Y=20 mm or less>		
89	Work clamp, S	153368-001	2
90	Feed bar guide cover, S	153392-001	1
	<For Y=34 mm or less>		
90	Feed bar guide cover, S	153392-001	1
	<For Y=49 mm or less>		
89	Work clamp, S	153368-001	2

Feed mechanism



Feed mechanism

Ref. No.	Part name	Part code	Q'ty
	<For inner clamping device>		
46-7	Work clamp arm assy, 434E REV	S42006-009	1
46-7-1	Work clamp arm, Z34 air	S41658-009	1
46-7-2	Work clamp arm lever, FR	S10054-001	1
46-7-3	Work clamp arm lever, RR	S10377-101	1
46-7-4	Work clamp arm lever, FL	S10056-001	1
46-7-5	Work clamp arm lever, RL	S10378-101	1
46-7-6	Work clamp arm lever shaft	S10058-001	1
46-7-7	Set screw collar assy	S21776-001	1
46-7-7-1	Set screw collar	139096-001	1
46-7-7-2	Set screw, socket (CP) SM4.37	014680-622	2
46-7-8	Thrust ring	143591-001	1
46-7-9	Retaining ring, E5	048050-342	1
46-7-10	Set screw, socket SM5.95	014760-622	1
46-7-11	Washer, plain M4	025040-232	2
46-7-12	Bolt, socket M4×6	018400-622	2
46-7-13	Work clamp crank assy, 434	S42007-001	1
46-7-13-1	Work clamp crank holder, A	S12634-009	1
46-7-13-2	Work clamp holder, B	S42008-001	1
46-7-13-3	Reverse cylinder base	S42019-001	1
46-7-13-4	Bolt, socket M3×12	018301-236	2
46-7-13-5	Bolt, socket M3×8	018300-836	2
46-7-13-6	Work clamp crank, LA	S05665-001	1
46-7-13-7	Reverse gear	154235-001	1
46-7-13-8	Reverse rack	154236-001	1
46-7-13-9	Washer	146087-001	1
46-7-13-10	Set screw, SM3.18	149831-101	1
46-7-13-11	Work clamp plate holder, L	154237-001	1
46-7-13-12	Washer, plain S3.5	025350-132	1
46-7-13-13	Screw, SM3.57	100242-003	1
46-7-13-14	Reverse rod	S42020-001	1
46-7-13-15	Reverse cylinder	S12639-001	1
46-7-13-16	Bolt, socket M3×35	S12642-009	2
46-7-13-17	Reverse shaft joint	S42021-001	1
46-7-13-18	Bolt, socket M3×8	018300-836	1
46-7-13-19	Bolt, socket M3×8	018300-836	1
46-7-13-20	Bolt, M5×12	017501-216	1
46-7-13-21	Nut, 2M5	021500-216	1
46-7-13-22	Half union, Q4M5	S18415-101	2
46-7-14	Outer work clamp	S42009-001	1
46-7-15	Work clamp guide plate, A	153369-001	2
46-7-16	Work clamp guide plate, B	153370-001	1
46-7-17	Screw, flat SM3.57	107038-003	6
46-7-18	Cylinder support	S10379-001	1
46-7-19	Air cylinder	S10380-201	2
46-7-20	Half union, Q4M5	S18415-101	2
46-7-21	Clevis pin	S03800-001	2
46-7-22	Retaining ring, E4	048040-342	4
46-7-23	Cylinder joint	S03801-101	2
46-7-24	Roller shaft	110168-001	2
46-7-25	Elbow, M5	S41271-000	2
47	Washer, plain M6	025060-232	2
48	Bolt, SM5.95 – 28×14	S39110-001	2
68	Screw, flat SM318	117291-002	2
69	Positioning plate, L	154252-001	1
70	Positioning plate, R	154253-001	1
71	Screw, pan SM3.57 – 40×5	062670-512	4
72	Washer, plain L3.5	025350-332	4
73	Washer, spring 2 – 3.5	028350-242	4
84	Bolt, socket M5×12	018501-222	2

Feed mechanism

Blank	Ref. No.	Part name	Part code	Q'ty
		<For medium materials>		
	76	Work clamp blank, 434- 1R	S42030-001	1
	77	Work clamp blank, 434- 1L	S42031-001	1
	80	Feed plate b lank, 434- 1	S42034-001	1
		<For extra heavy materials>		
	78	Work clamp blank, 434- 2R	S42032-001	1
	79	Work clamp blank, 434- 2L	S42033-001	1
	81	Feed plate blank, 434- 2	S42035-001	1
		<For inner clamping device>		
	67	Work clamp blank, A	154256-101	1
	85	Feed plate, 434R1	S43459-001	1
		<For stepping foot>		
	102	Work clamp, right 434ESF - 2	S46544-001	1
	103	Work clamp, left 434ESF - 2	S46545-001	1
	88	Feed plate, 434ESF - 2	S44942-001	1

Feed mechanism

"Option parts"				
		<100 × 60>		
	55-1	Work clamp, R	153493-001	1
	56-1	Work clamp, L	153498-001	1
	57-1	Feed plate	153503-001	1
		<For tongue tacking stitch 51 × 13 >		
	55-2	Work clamp, right 434-519	S23377-001	1
	56-2	Work clamp, left 434-519	S23378-001	1
	57-2	Feed plate, 434-519	S23379-001	1
		<For tongue tacking stitch, 37 × 8 >		
	55-3	Work clamp, 434-895	S27836-001	1
	56-3	Work clamp, left 434-895	S27837-001	1
	57-3	Feed plate, 434-895	S27838-001	1

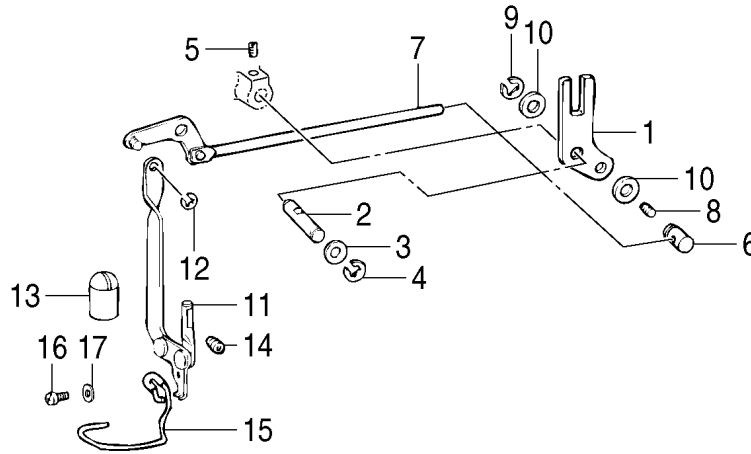
Feed mechanism

"Option parts of stepping foot"				
		<For one touch work clamp>		
	86	Work clamp, right 434ESF	S44940-001	1
	87	Work clamp, left 434SF	S44941-001	1
		<One touch work clamp assy>		
	101	OT work clamp assy, 434EA	S43990-001	1
	101	OT work clamp assy, 434EB	S43991-001	1
	101	OT work clamp assy, 434EC	S43992-001	1

Presser foot lifter mechanism

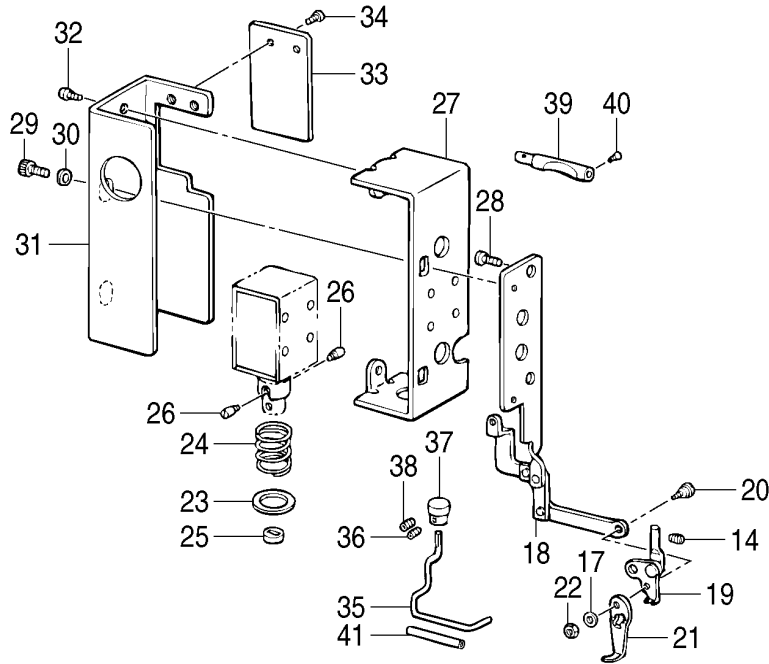
Ref. No.	Part name	Part code	Q'ty	
	"Option parts"			
58-2	Work clamp, XB	S45131-001	1	
58-3	Work clamp, XC	S45132-001	1	
58-4	Work clamp, XD	S45133-001	1	
58-5	Work clamp, XE	S45134-001	1	
58-6	Work clamp, XJ	S45135-001	1	
61	Spring	S33251-001	1	

Thread wiper mechanism



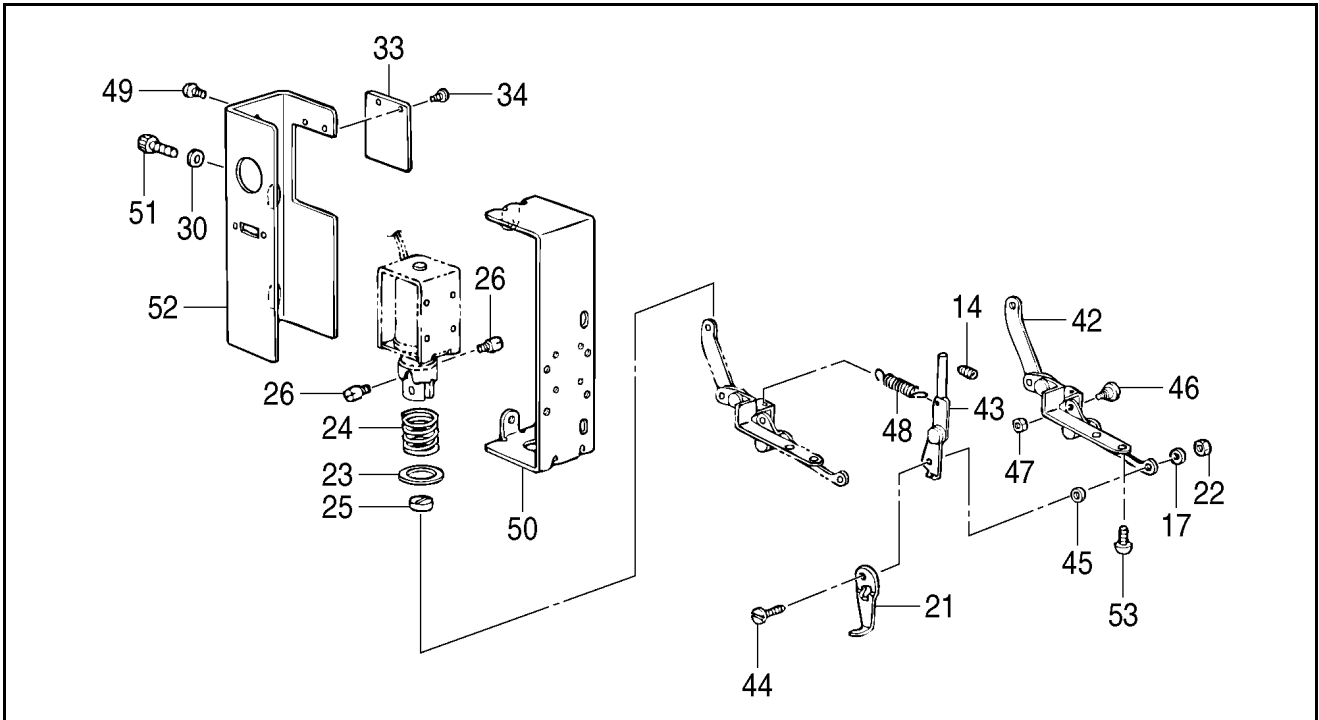
Ref. No.	Part name	Part code	Q'ty
	<For solenoid type>		
1	Thread wiper driving lever	S38023-001	1
2	Thread wiper shaft	152822-001	1
3	Washer, plain M6.35	025770-232	1
4	Retaining ring, E4	048040-342	1
5	Set screw, socket (CP) SM4.37	014680-622	1
6	Thread wiper rod shaft	S38024-001	1
7	Thread wiper rod assy	S38025-001	1
8	Set screw, socket (CP) SM4.37	014680-622	1
9	Retaining ring, E6	048060-342	1
10	Washer	116629-001	2
11	Thread wiper arm assy	S41284-101	1
12	Retaining ring, E3	048030-342	1
13	Oil cap	152827-009	1
14	Set screw, socket (CP) SM4.76	014710-522	1
15	Finger guard	S00926-201	1
16	Screw, pan SM3.57 - 40×5	062670-512	1
17	Washer	S21875-001	1

Thread wiper mechanism



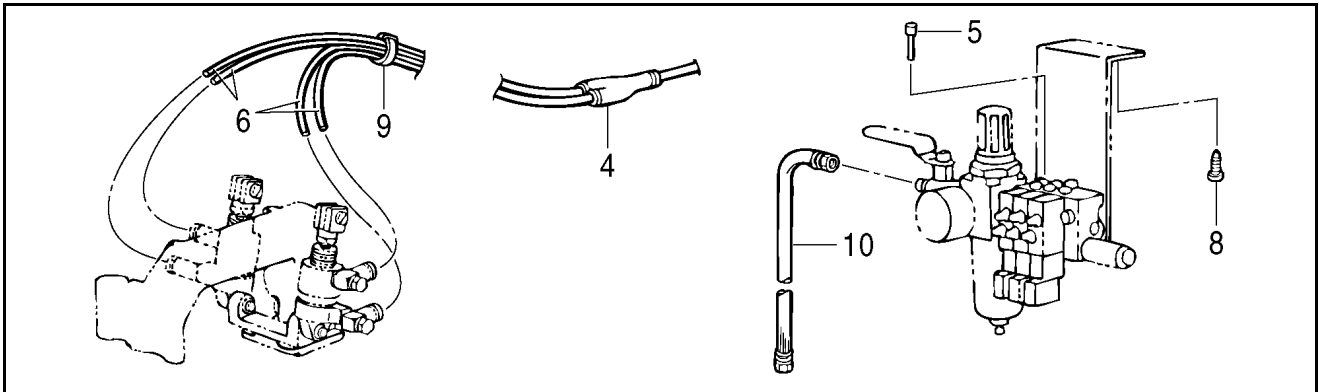
Ref. No.	Part name	Part code	Q'ty
	<For pneumatic type, inner clamping device>		
14	Set screw, socket (CP) SM4.76	014710-522	1
17	Washer	S21875-001	1
18	Thread wiper connect rod assy	S41656-001	1
19	Thread wiper arm assy	S37877-001	1
20	Shoulder screw, M3.57	153112-001	1
21	Thread wiper, A	156206-001	1
22	Nut, 2 SM3.57	021670-202	1
23	Washer, plain	S41205-001	1
24	Thread wiper spring	S41206-001	1
25	Spacer rubber	S41207-000	1
26	Plunger pin	S25456-001	3
27	Wiper solenoid set plate	S42017-109	1
28	Screw, pan SM4.37 - 40×8	062680-812	2
29	Bolt, socket M4×6	018400-632	2
30	Washer	100645-003	2
31	Wiper solenoid cover	S42018-109	1
32	Screw, truss M4×6	008400-604	2
33	Solenoid cover rid, E	S37806-109	1
34	Screw, truss M4×6	008400-604	2
35	Finger guard	S42022-101	1
36	Set screw, socket SM4.37	153675-001	1
37	Finger guard support	S42023-001	1
38	Set screw, socket SM5.95	014760-622	1
39	Tension release rod, DW	S41657-001	1
40	Screw, flat M3.5×6	061350-616	1
41	Oil tube	112669-001	1

Thread wiper mechanism



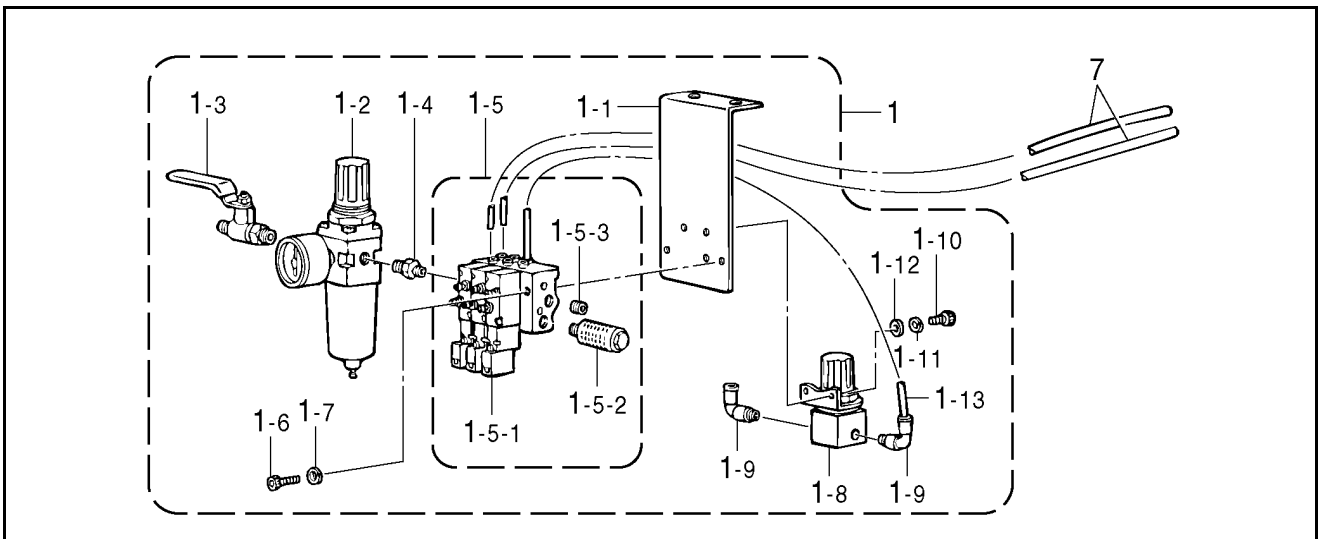
Ref. No.	Part name	Part code	Q'ty
	<For stepping foot>		
14	Set screw, socket (CP) SM4.76	014710-522	1
17	Washer	S21875-001	1
21	Thread wiper, A	156206-001	1
22	Nut, 2 SM3.57	021670-202	1
23	Washer, plain	S41205-001	1
24	Thread wiper spring	S41206-001	1
25	Spacer rubber	S41207-000	1
26	Plunger pin	S25456-001	3
30	Washer	100645-003	2
33	Solenoid cover rid, E	S37806-109	1
34	Screw, truss M4×6	008400-604	2
42	Thread wiper assy, side	S42859-001	1
43	Wiper arm assy	S42864-001	1
44	Screw, SM3.57×10	S13385-001	1
45	Collar	S12668-001	1
46	Shoulder screw, SM3.18	100659-001	1
47	Nut, 1SM3.18	021660-102	1
48	Spring	159111-001	1
49	Screw, pan SM4.37-405	062680-512	2
50	Solenoid setting plate, E	S37147-109	1
51	Bolt, socket SM4.37×10	018681-022	2
52	Solenoid cover, E	S37148-109	1
53	Screw, pan SM4.37-40×5	062680-512	2

Air Pressure mechanism



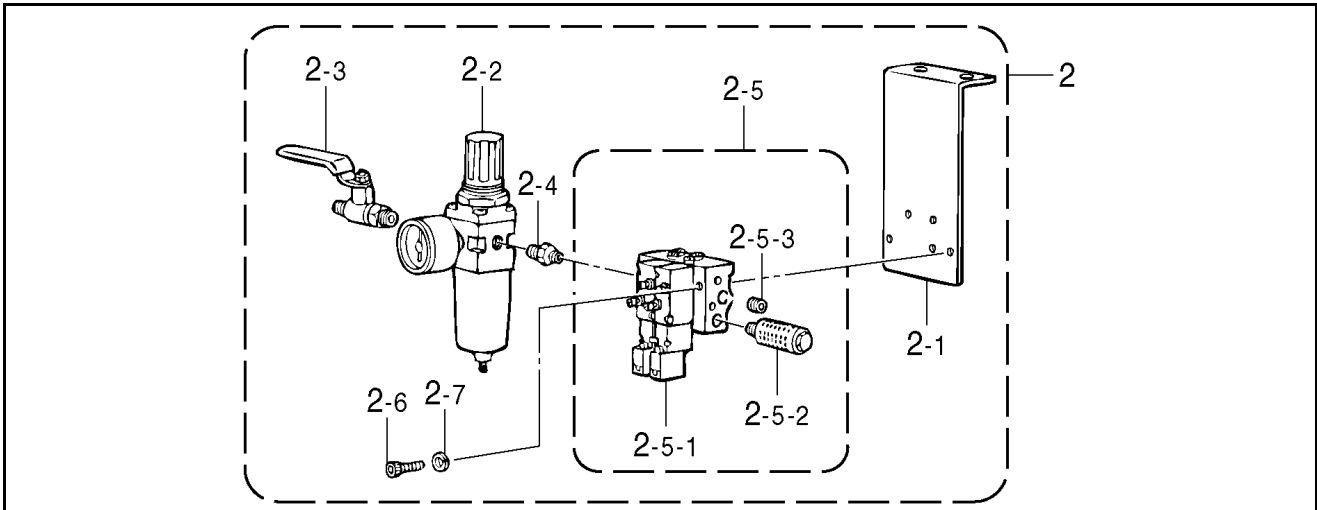
Ref. No.	Part name	Part code	Q'ty
	<For pneumatic type, inner clamping device, stepping foot>		
4	Branch, UY-4	S08178-000	2
5	Plug, 4	S04897-000	2
6	Air tube (L = 930)	S28730-000	4
8	Wood screw, round M5.5×32	031553-202	2
9	Fastening band, 1.9×80	228475-000	3
10	Air tube with connector	149796-001	1

Air Pressure mechanism



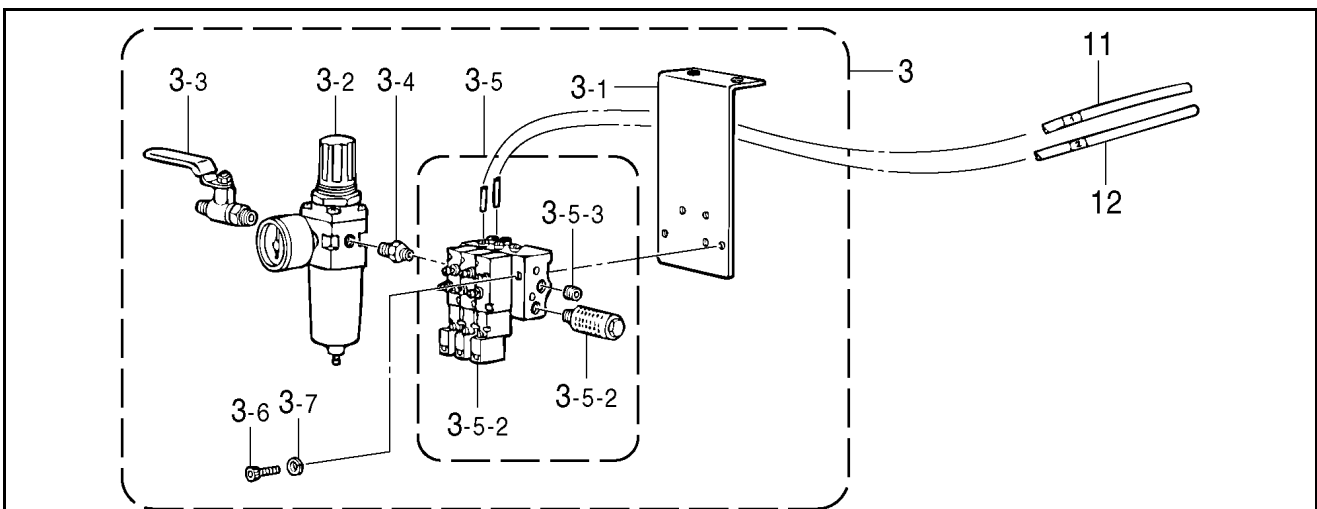
Ref. No.	Part name	Part code	Q'ty
	<For inner clamping device>		
1	Air unit assy	S42010-001	1
1-1	Valve set plate	S42011-001	1
1-2	Filter regulator	S42012-001	1
1-3	Ball valve, 1/4	S09231-000	1
1-4	Nipple	S09228-000	1
1-5	Valve assy, 3	S42013-001	1
1-5-1	Valve, VQZ1151S - 5	S39116-000	3
1-5-2	Silencer	140682-001	1
1-5-3	Cap, 1/8	153274-001	2
1-6	Bolt, socket M5×30	018503-036	2
1-7	Washer, spring 2- 5	028050-246	2
1-8	Regulator	S12165-000	1
1-9	Elbow union, 4M5	S11426-000	2
1-10	Bolt, socket M4×8	018400-836	2
1-11	Washer, spring 2- 4	028040-246	2
1-12	Washer, plain M4	025040-236	2
1-13	Air tube (L = 100)	S31771-000	1
7	Air tube (L = 930)	S28730-000	2

Air Pressure mechanism



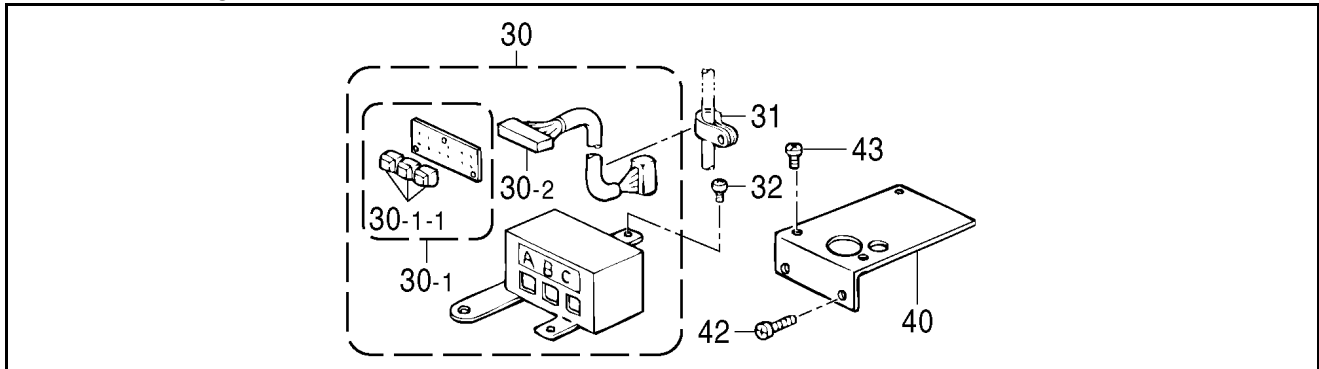
Ref. No.	Part name	Part code	Q'ty
	<For pneumatic type>		
2	Air unit assy	S42015-001	1
2-1	Valve set plate	S42011-001	1
2-2	Filter regulator	S42012-001	1
2-3	Ball valve, 1/4	S09231-000	1
2-4	Nipple	S09228-000	1
2-5	Valve assy, 2	S42016-001	1
2-5-1	Valve, VQZ1151S - 5	S39116-000	2
2-5-2	Silencer	140682-001	1
2-5-3	Cap, 1/8	153274-001	2
2-6	Bolt, socket M5×30	018503-036	2
2-7	Washer, spring 2- 5	028050-246	2

Air Pressure mechanism



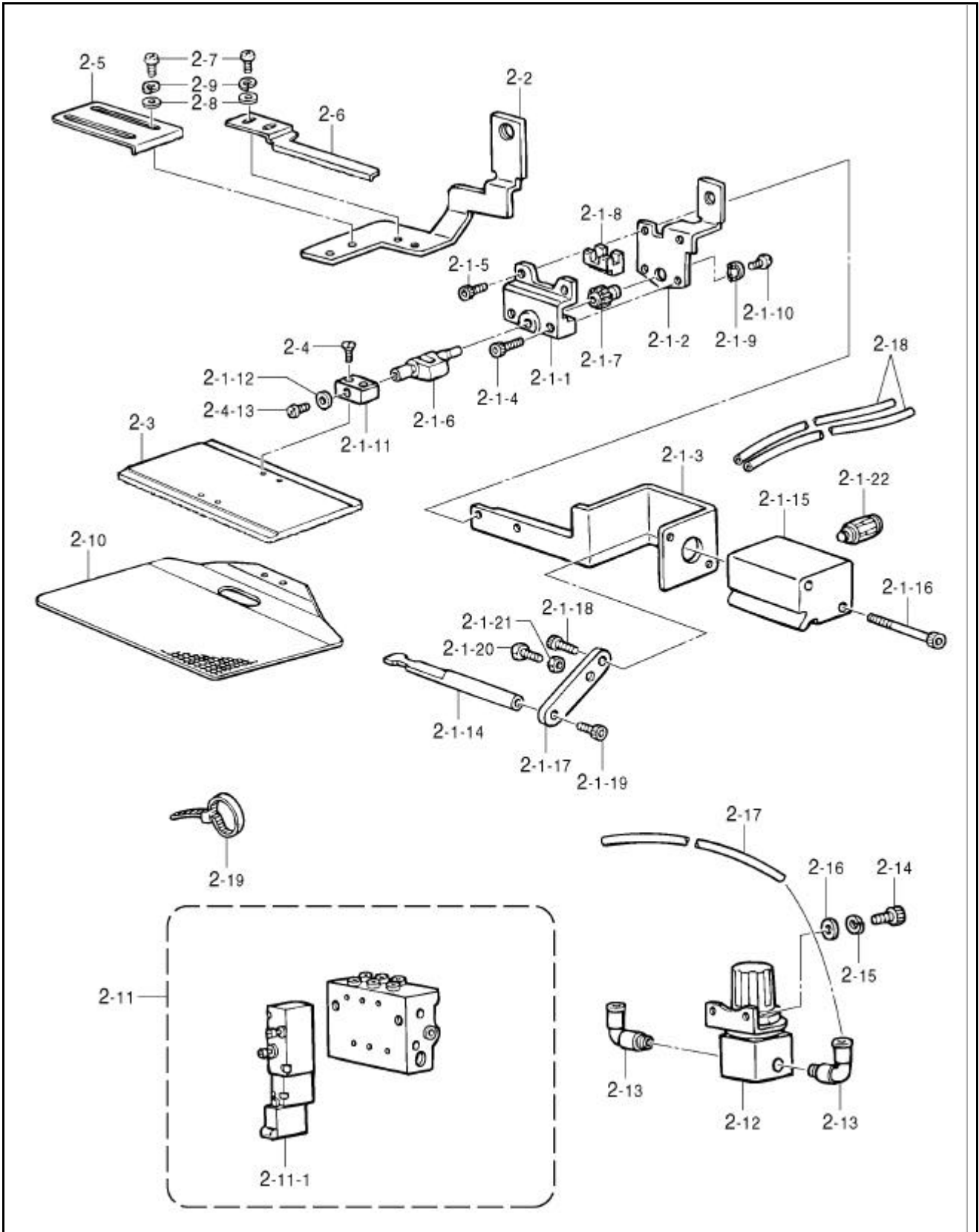
Ref. No.	Part name	Part code	Q'ty
	<For pneumatic type>		
3	Air unit assy	S43908-001	1
3-1	Valve set plate	S42011-001	1
3-2	Filter regulator	S42012-001	1
3-3	Ball valve, 1/4	S09231-000	1
3-4	Nipple	S09228-000	1
3-5	Valve assy, 3	S42013-001	1
3-5-1	Valve, VQZ1151S - 5	S39116-000	2
3-5-2	Silencer	140682-001	1
3-5-3	Cap, 1/8	153274-001	2
3-6	Bolt, socket M5×30	018503-036	2
3-7	Washer, spring 2- 5	028050-246	2
11	Air tube	S46147-000	1
12	Air tube	S46148-000	1

Power supply equipment



Ref. No.	Part name	Part code	Q'ty
	Option parts		
30	OP box assy	S38048-009	1
30-1	OP PCB assy	S38051-000	1
30-1-1	Key pad switch, JB- 15LMP2	S38056-000	3
30-2	OP box harness	S38053-000	1
31	Cord holder, 5N	S00480-000	2
32	Screw, pan SM4.37 - 40×10	062681-012	3
41	OP box set plate	S42024-009	1
42	Screw, bind SM3.57×12	060671-212	2
43	Screw, pan SM3.57 - 40×3.5	S39086-001	3






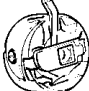




Attachment set



Attachment set

Ref. No.	Part name	Part code	Q'ty
2	Inner clamp device set	S43910-201	1
2-1	Work clamp crank assy, 434E	S42007-001	1
2-1-1	Work clamp crank holder, A	S12634-009	1
2-1-2	Work clamp holder, B	S42008-001	1
2-1-3	Reverse cylinder base	S42019-001	1
2-1-4	Bolt, socket M3×12	018301-236	2
2-1-5	Bolt, socket M3×8	018300-836	2
2-1-6	Work clamp crank, LA	S05665-001	1
2-1-7	Reverse gear	154235-001	1
2-1-8	Reverse rack	154236-001	1
2-1-9	Washer	145087-001	1
2-1-10	Set screw, SM3.18	149831-101	1
2-1-11	Work clamp plate holder, L	154237-001	1
2-1-12	Washer, plain S3.5	025350-132	1
2-1-13	Screw, SM3.57	100242-003	1
2-1-14	Reverse rod	S42020-001	1
2-1-15	Reverse cylinder	S12639-001	1
2-1-16	Bolt, socket M3×35	S12642-009	2
2-1-17	Reverse shaft joint	S42021-001	1
2-1-18	Bolt, socket M3×8	018300-836	1
2-1-19	Bolt, socket M3×8	018300-836	1
2-1-20	Bolt, M5×12	017501-216	1
2-1-21	Nut, 2M5	021500-216	1
2-1-22	Half union, Q4M5	S18415-101	2
2-2	Outer work clamp	S42009-001	1
2-3	Work clamp blank, A	154256-101	1
2-4	Screw, flat SM3.18	117291-002	2
2-5	Positioning plate, L	154252-001	1
2-6	Positioning plate, R	154253-001	1
2-7	Screw, pan357 - 40×5	062670-512	4
2-8	Washer, plain L3.5	025350-332	4
2-9	Washer, spring 2- 3.5	028350-242	4
2-10	Feed plate blank, 434R1	S43459-001	1
2-11	Inner clamp valve assy	S49155-000	1
2-11-1	Valve, VZ3153-N	S12160-000	1
2-12	Regulator	S12165-000	1
2-13	Elbow union, 4M5	S11426-000	2
2-14	Bolt, socket M4×8	018400-836	2
2-15	Washer, spring 2- 4	028040-246	2
2-16	Washer, plain M4	025040-236	2
2-17	Air tube (L = 100)	S31771-000	1
2-18	Air tube (L = 930)	S28730-000	2
2-19	Fastening bank, 1.9×80	228475-000	3

Gauge parts list

Part name		Use	For general clothing	For denim	For safety belt
Needle hole plate 			Needle hole plate, F S10213-001	Needle hole plate, E S10212-101	Needle hole plate, L S25127-001
Shuttle hook box assy 	Standard		Shuttle hook, A w/box 152685-903	Shuttle hook, B w/box 152687-902	
	Large		Shuttle hook, LA w/box S15662-992	Shuttle hook, LB w/box S15663-991	
Shuttle race body 			Shuttle race body, A 152682-101	Shuttle race body, B 152686-101	
Spring 			Thread take-up spring 145519-001	Thread take-up spring, B 144588-001	
Tension spring 			Spring, tension 104525-001	Spring, tension 107606-001	Spring, C; tension S06548-001
Bobbin case assy 	Standard		Bobbin case assy, A 159610-201	Bobbin case assy, B 152690-301	
	Large		Bobbin case assy, LA S15902-401	Bobbin case assy, LB S15903-401	
Bobbin 	Standard		Bobbin 159613-051	Bobbin, B 154663-001	
	Large		Bobbin, LAN S44633-001	Bobbin, LB S15666-001	
Needle bar thread guide   A B			Thread guide, B needle bar S41222-101	Thread guide, A needle bar 152890-001 (For stepping presser foot) S02438-001	Thread guide, B needle bar 154664-001 (For stepping presser foot) S02439-001
Needle 			Needle assy, DP × 5 NY(#16) S37929-416	Needle assy, DP × 17 NY(#19) S37928-419	DP × 17 #25 145646-425
Movable knife			Movable knife assy, L S40934-001	Movable knife assy S10205-001	