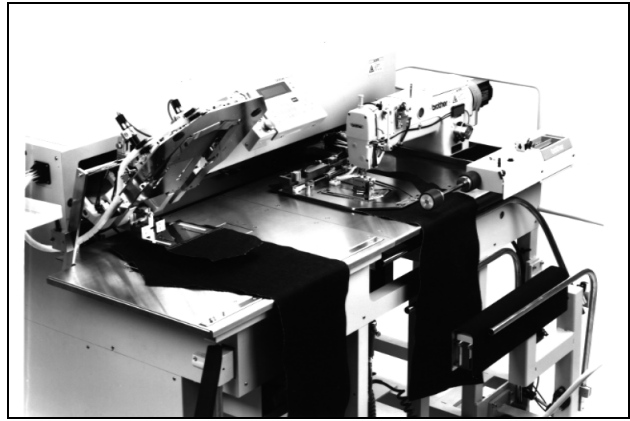


BAS-7610

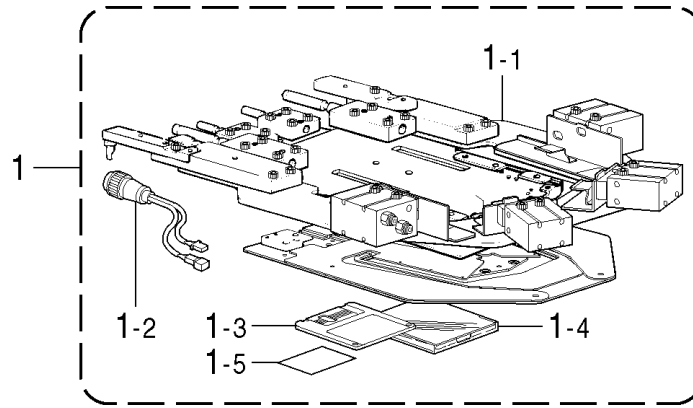
Automatic Pocket Setter (For Jeans)



Specifications

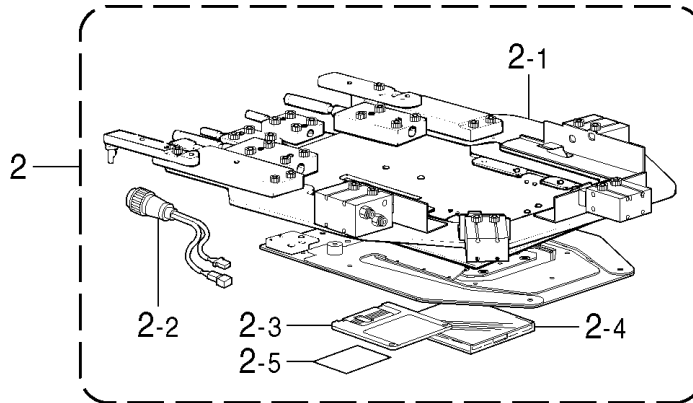
Machine head	Lock stitch and special cross stitch sewing machine with automatic thread trimmer
Application	Sewing pockets on the various types of jeans
Cycle time	9 seconds approx. (depending on the pitch and rpm)
Sewing speed	500 - 4,250 rpm (9-position selectable type)
Bar tack sewing speed	500 - 3,500 rpm (7-position selectable type)
Sewing area	250 (X) × 250 (Y) mm When not using retractable work clamp 250 (X) × 200 (Y) mm For retractable work clamp (Restrictions may occur because of shape)
Stitch length	0.05 - 6.00 mm
Stitch width	Max. 3.5 mm
Cloth setting	Overlapping possible
Machine head drive	AC servo direct motor type
Machine body drive	X-axis for a clamp shift, Y-axis for a machine shift, AC servo motor (750W)
Memory medium	3.5-2HD inch floppy disk 64 patterns (Maximum of 1,000 stitches for each pattern)
Jig attaching and detaching method	Air chuck; one-touch operation requiring less than 2 minutes
Rotary hook	1.7-capacity and 2.4-capacity hook
Stacker	Included (Stacking capacity 60 pieces)
Programmer	Included
Power source	3-phase 200V, 220V, 380V, 400V, 415V (900W)
Air pressure	0.44 - 0.54 Mpa
Machine dimensions	(W) 2,108 mm, (L) 1,919 mm, (H) 970 mm
Weight	400 kg
Upper-thread breakage detector	Included
Label attachment device	Included (Option)

Attachment set (Option part)



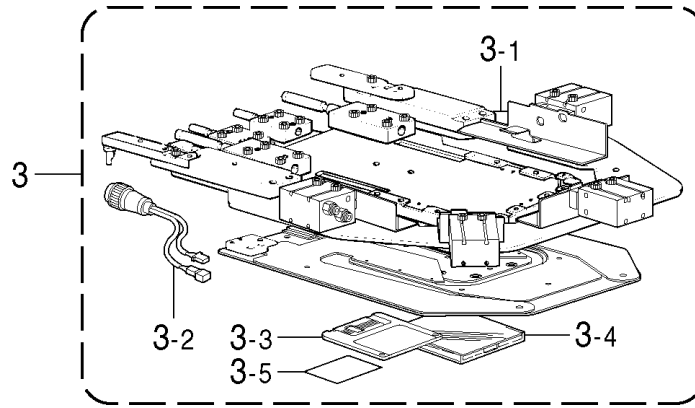
Ref. No.	Part name	Part code	Q'ty
1	F - group supply assy, 761 MI - 2J	S47646-XXX	1
1-1	F - group assy, triangle - J2	S43653-XXX	1
1-2	Sensor harness, B retractable	S46702-000	1
1-3	3.5 media, 2HD	S43273-000	1
1-4	Floppy case	S09989-000	1
1-5	Index label, 3.5FD	S42658-000	1

Attachment set (Option part)



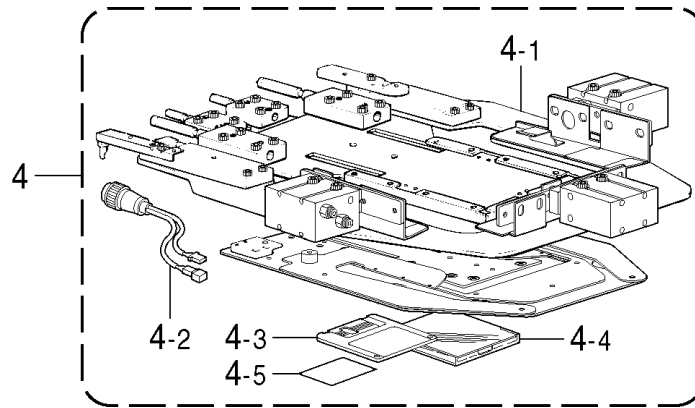
Ref. No.	Part name	Part code	Q'ty
2	F - group supply assy, 761 MI - J2	S47647-XXX	1
2-1	F - group assy, miter - J2	S43655-XXX	1
2-2	Sensor harness, B retractable	S46702-000	1
2-3	3.5 media, 2HD	S43273-000	1
2-4	Floppy case	S09989-000	4
2-5	Index label, 3.5FD	S42658-000	1

Attachment set (Option part)



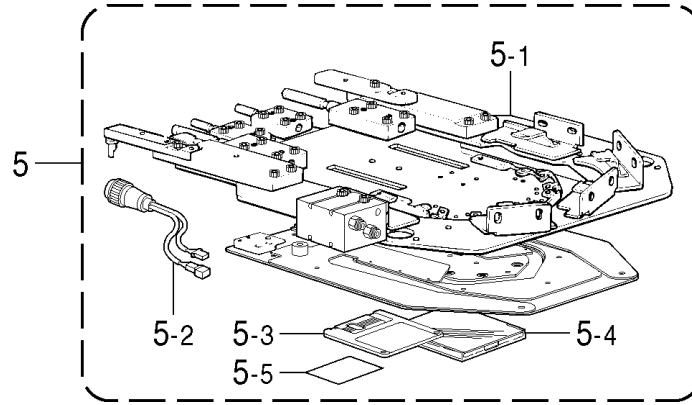
Ref. No.	Part name	Part code	Q'ty
3	F - group supply assy, 761 R - 1J2	S47648-XXX	1
3-1	F - group assy, round - 1J2	S47657-XXX	1
3-2	Sensor harness, B retractable	S46702-000	1
3-3	3.5 media, 2HD	S43273-000	1
3-4	Floppy case	S09989-000	4
3-5	Index label, 3.5FD	S42658-000	1

Attachment set (Option part)



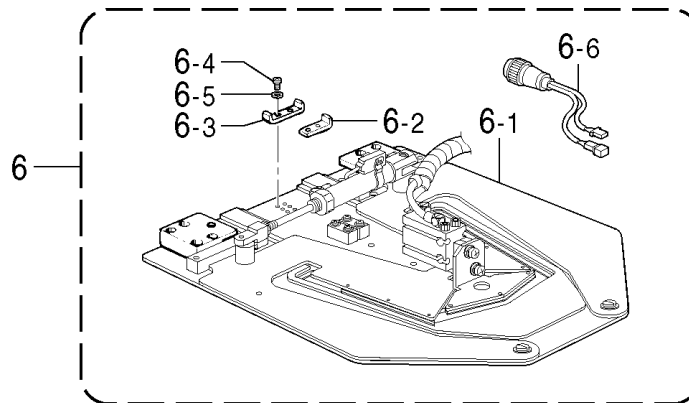
Ref. No.	Part name	Part code	Q'ty
4	F - group supply assy, 761 SQ-J2	S47649-XXX	1
4-1	F - group assy, square - J2	S43659-XXX	1
4-2	Sensor harness, B retractable	S46702-000	1
4-3	3.5 media, 2HD	S43273-000	1
4-4	Floppy case	S09989-000	4
4-5	Index label, 3.5FD	S42658-000	1

Attachment set (Option part)



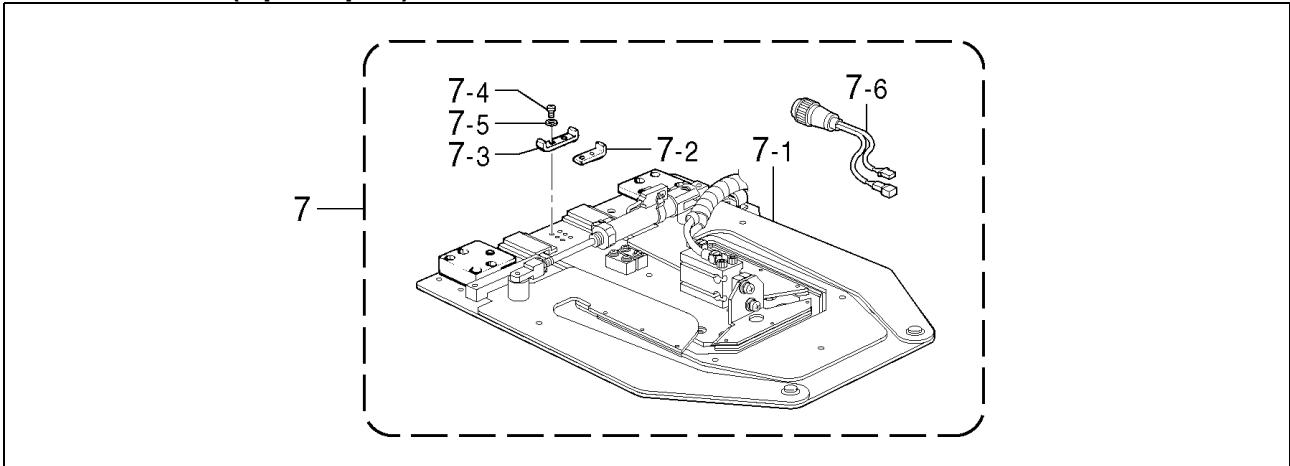
Ref. No.	Part name	Part code	Q'ty
5	F - group supply assy, 761 R - 2J2	S47650-XXX	1
5-1	F - group assy, round - 2J2	S38942-XXX	1
5-2	Sensor harness, B retractable	S46702-000	1
5-3	3.5 media, 2HD	S43273-000	1
5-4	Floppy case	S09989-000	4
5-5	Index label, 3.5FD	S42658-000	1

Attachment set (Option part)



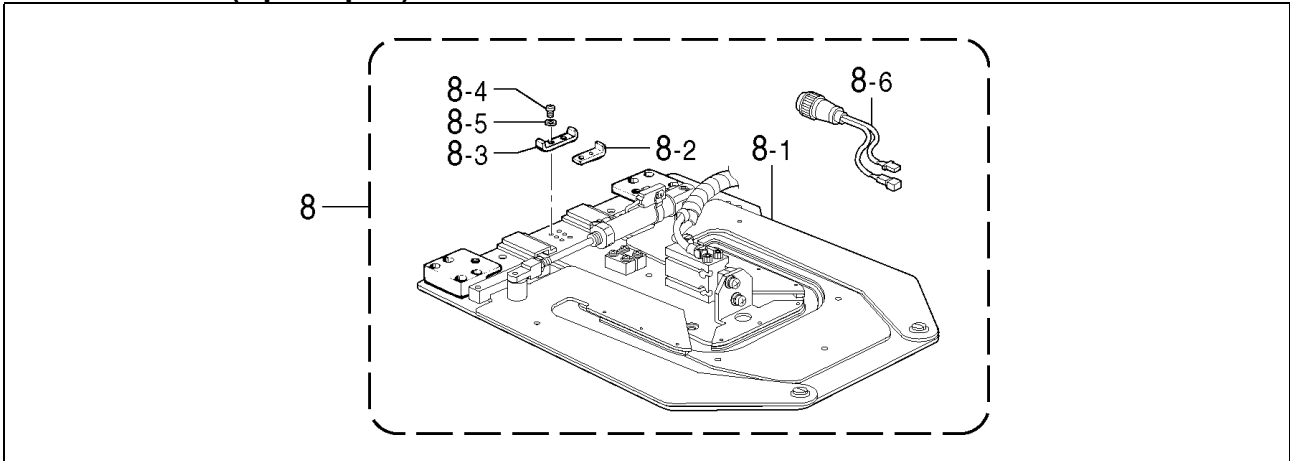
Ref. No.	Part name	Part code	Q'ty
6	F - group supply assy, 761 TR - J2	S48386-XXX	1
6-1	F - group assy, triangle - J2	S37506-XXX	1
6-2	Slit, C	S12111-001	3
6-3	Slit, D	S12112-001	3
6-4	Screw, pan M3 x 5	062300-502	6
6-5	Washer, spring 2 - 3	028030-242	6
6-6	Sensor harness, B retractable	S46702-000	1

Attachment set (Option part)



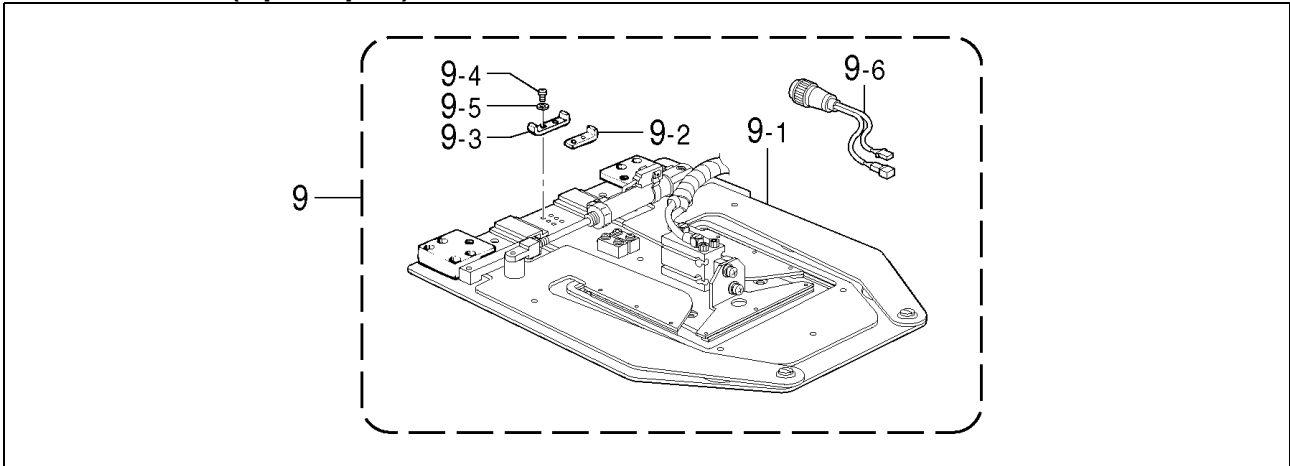
Ref. No.	Part name	Part code	Q'ty
7	F - group supply assy, 761 MI - J2	S48387-XXX	1
7-1	F - group assy, miter - J2	S38961-XXX	1
7-2	Slit, C	S12111-001	3
7-3	Slit, D	S12112-001	3
7-4	Screw, pan M3 × 5	062300-502	6
7-5	Washer, spring 2 - 3	028030-242	6
7-6	Sensor harness, B retractable	S46702-000	1

Attachment set (Option part)



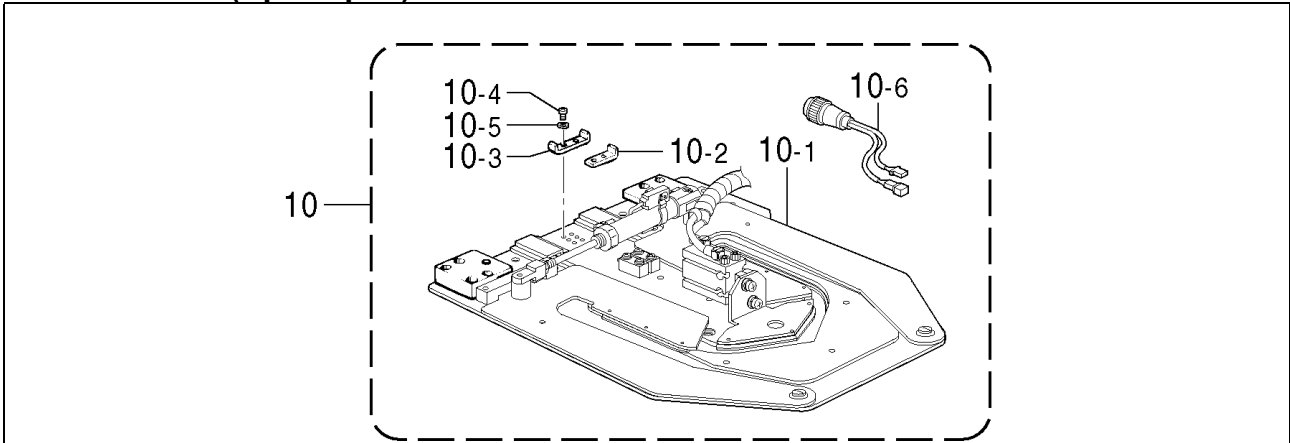
Ref. No.	Part name	Part code	Q'ty
8	F - group supply assy, 761 R - 1J2	S48388-XXX	1
8-1	F - group assy, round - 1J2	S37480-XXX	1
8-2	Slit, C	S12111-001	3
8-3	Slit, D	S12112-001	3
8-4	Screw, pan M3 × 5	062300-502	6
8-5	Washer, spring 2 - 3	028030-242	6
8-6	Sensor harness, B retractable	S46702-000	1

Attachment set (Option part)



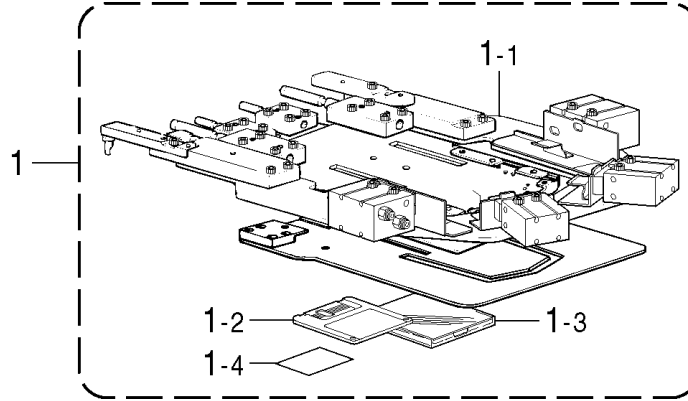
Ref. No.	Part name	Part code	Q'ty
9	F - group supply assy, 761 SQ - J2	S48389-XXX	1
9-1	F - group assy, square - J2	S38970-XXX	1
9-2	Slit, C	S12111-001	3
9-3	Slit, D	S12112-001	3
9-4	Screw, pan M3 × 5	062300-502	6
9-5	Washer, spring 2 - 3	028030-242	6
9-6	Sensor harness, B retractable	S46702-000	1

Attachment set (Option part)



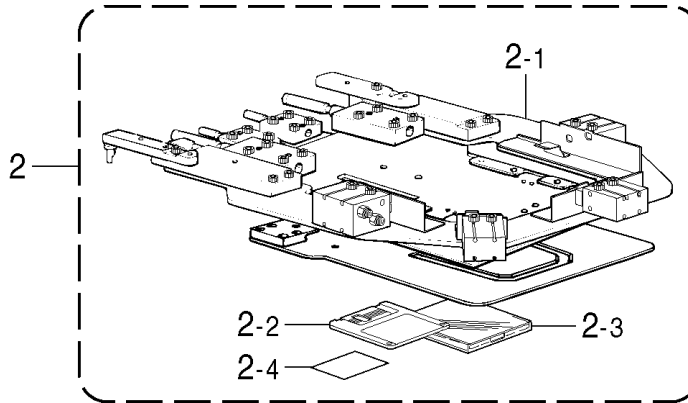
Ref. No.	Part name	Part code	Q'ty
10	F - group supply assy, 761 R - 2J2	S48390-XXX	1
10-1	F - group assy, round - 2J2	S38979-XXX	1
10-2	Slit, C	S12111-001	3
10-3	Slit, D	S12112-001	3
10-4	Screw, pan M3 × 5	062300-502	6
10-5	Washer, spring 2 - 3	028030-242	6
10-6	Sensor harness, B retractable	S46702-000	1

Attachment set (Option part)



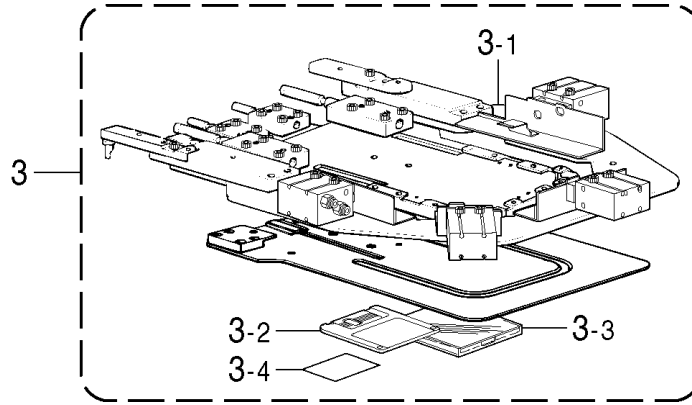
Ref. No.	Part name	Part code	Q'ty
1	F - group supply assy, 761 TRI - J	S47641-XXX	1
1-1	F - group assy, triangle - J	S43645-XXX	1
1-2	3.5 media, 2HD	S43273-000	1
1-3	Floppy case	S09989-000	1
1-4	Index label, 3.5FD	S42658-000	1

Attachment set (Option part)



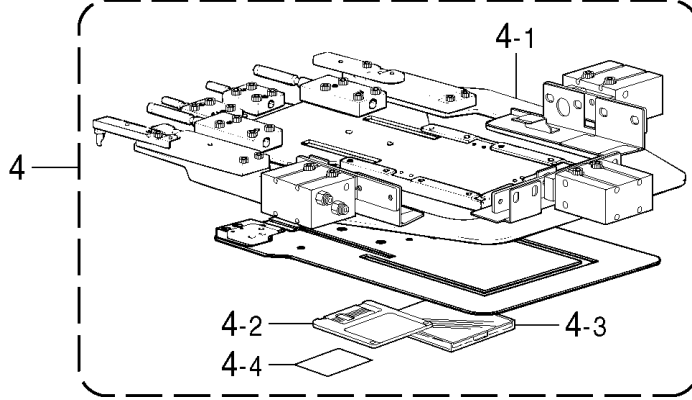
Ref. No.	Part name	Part code	Q'ty
2	F - group supply assy, 761 MIT - J	S47642-XXX	1
2-1	F - group assy, miter - J	S43647-XXX	1
2-2	3.5 media, 2HD	S43273-000	1
2-3	Floppy case	S09989-000	1
2-4	Index label, 3.5FD	S42658-000	1

Attachment set (Option part)



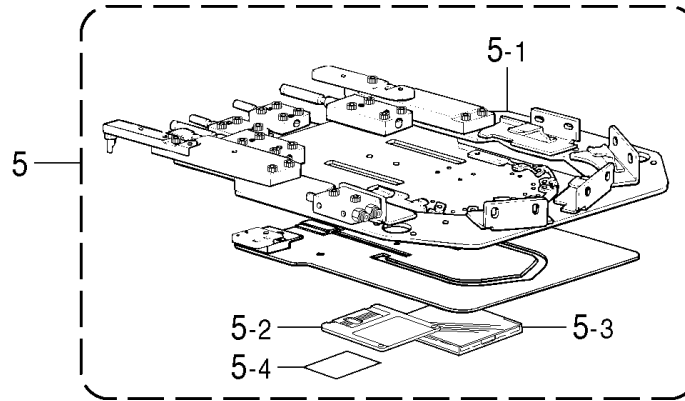
Ref. No.	Part name	Part code	Q'ty
3	F - group supply assy, 761 RO - 1J	S47643-XXX	1
3-1	F - group assy, round - 1J	S43649-XXX	1
3-2	3.5 media, 2HD	S43273-000	1
3-3	Floppy case	S09989-000	1
3-4	Index label, 3.5FD	S42658-000	1

Attachment set (Option part)



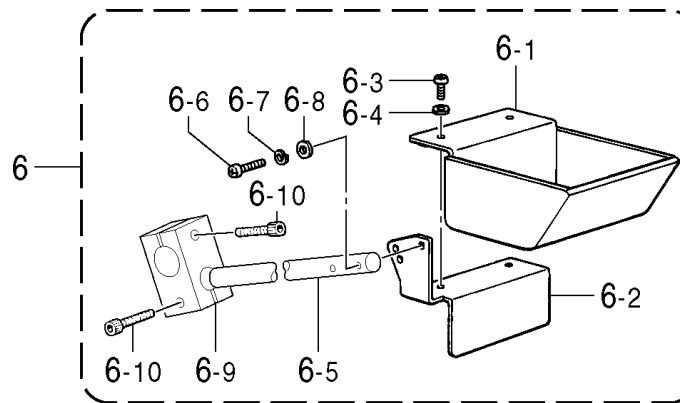
Ref. No.	Part name	Part code	Q'ty
4	F - group supply assy, 761 SQU - J	S47644-XXX	1
4-1	F - group assy, square - J	S43651-XXX	1
4-2	3.5 media, 2HD	S43273-000	1
4-3	Floppy case	S09989-000	1
4-4	Index label, 3.5FD	S42658-000	1

Attachment set (Option part)



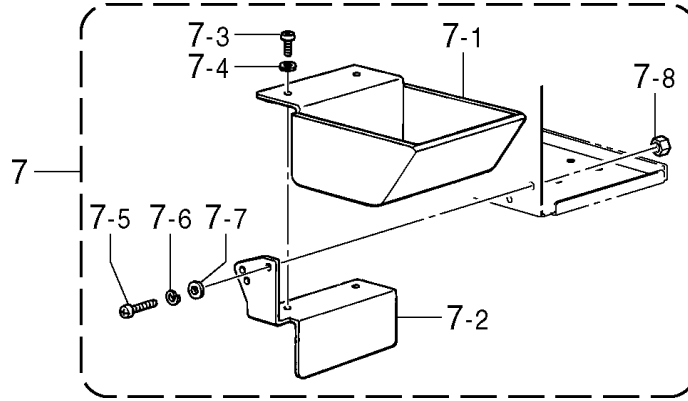
Ref. No.	Part name	Part code	Q'ty
5	F - group supply assy, 761 RO - 2J	S47645-XXX	1
5-1	F - group assy, round - 2J	S24833-XXX	1
5-2	3.5 media, 2HD	S43273-000	1
5-3	Floppy case	S09989-000	1
5-4	Index label, 3.5FD	S42658-000	1

Attachment set (Option part)



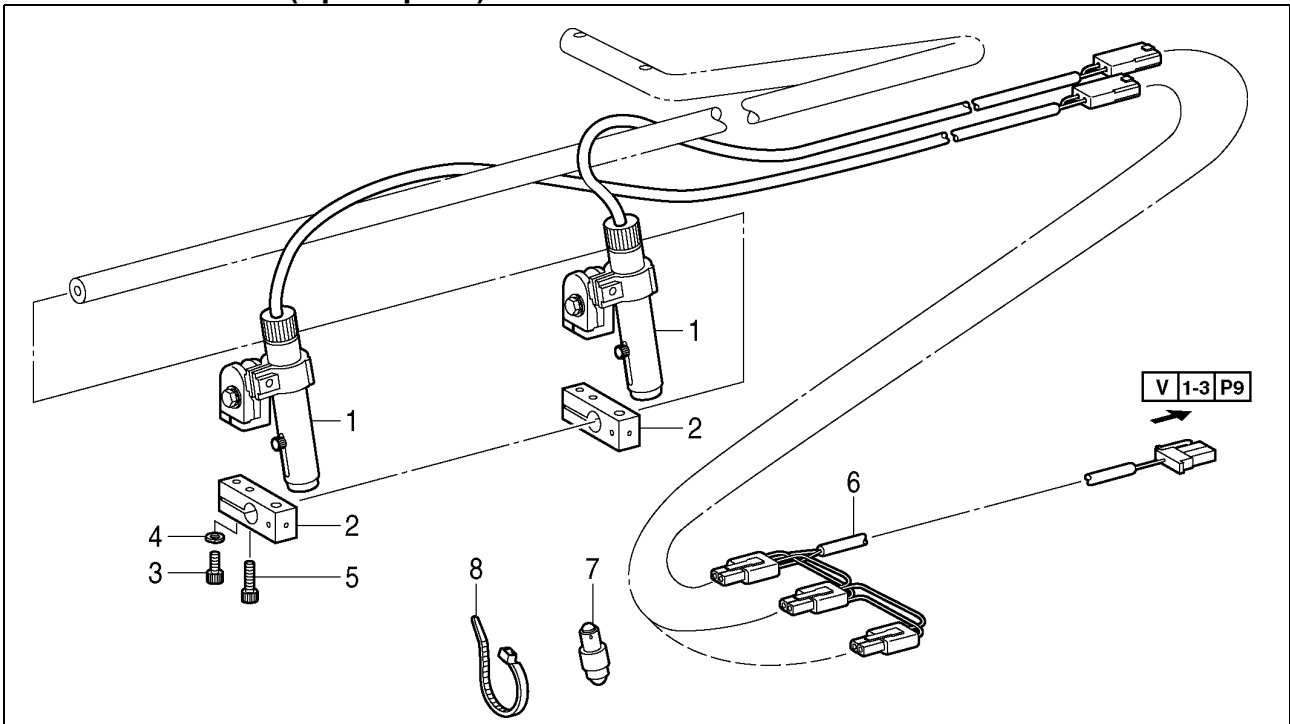
Ref. No.	Part name	Part code	Q'ty
	<For attaching a right label>		
6	Label box assy, A	S48661-001	1
6-1	Label box	S25044-000	1
6-2	Label box base	S25045-001	1
6-3	Screw, pan M4 × 8	062400-806	2
6-4	Washer, plain M4	025040-233	2
6-5	Setting bar	S25046-001	1
6-6	Screw, pan M4 × 16	062401-616	2
6-7	Washer, spring 2 - 4	028040-243	2
6-8	Washer, plain M4	025040-233	2
6-9	Support, setting bar	S24956-001	1
6-10	Bolt, socket M5 × 20	018502-022	2

Attachment set (Option part)



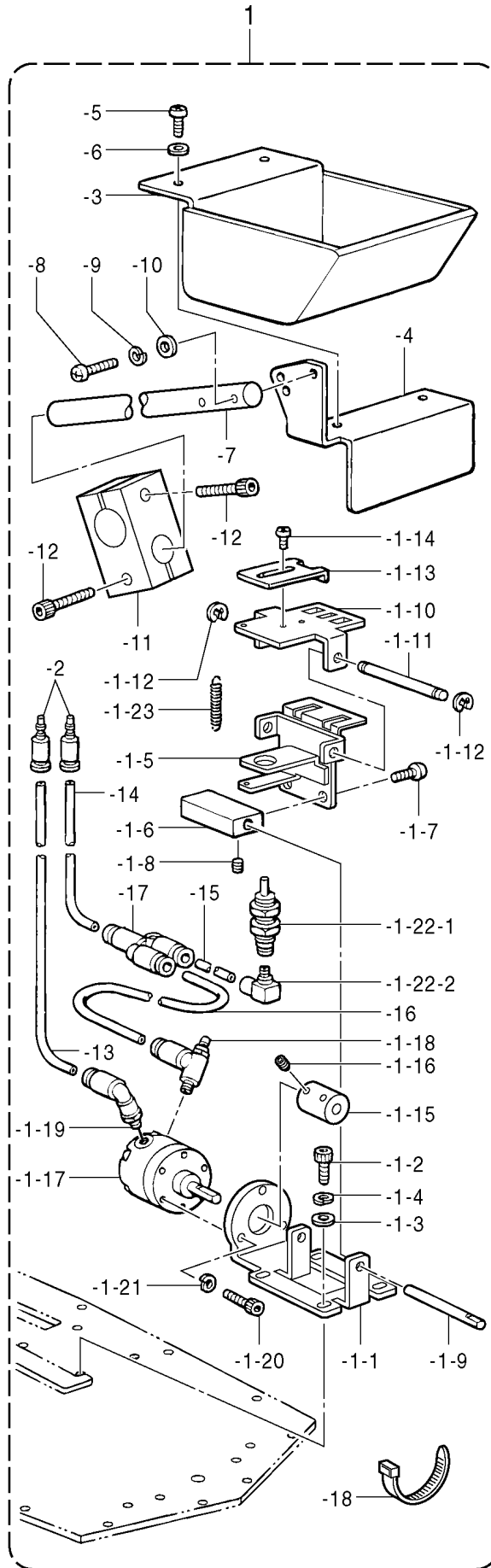
Ref. No.	Part name	Part code	Q'ty
	<For attaching a left label>		
7	Label box assy, B	S48654-001	1
7-1	Label box	S25044-000	1
7-2	Label box base	S25045-001	1
7-3	Screw, pan M4 × 8	062400-806	2
7-4	Washer, plain M4	025040-233	2
7-5	Screw, pan M4 × 10	062401-006	2
7-6	Washer, spring 2 - 4	028040-246	2
7-7	Washer, plain M4	025040-236	2
7-8	Nut, 2M4	021400-206	2

Marker mechanism (Option parts)



Ref. No.	Part name	Part code	Q'ty
1	Marking light assy, T	S27937-000	2
2	Marker setter, right	S24958-001	2
3	Bolt, socket M5 × 20	018502-036	2
4	Washer, spring 2 - 5	028050-246	2
5	Bolt, socket M5 × 30	018503-036	2
6	Harness, marker	S46680-000	1
7	Lamp, 5W	S08137-000	1
8	Band, PLTIM	S04557-000	5

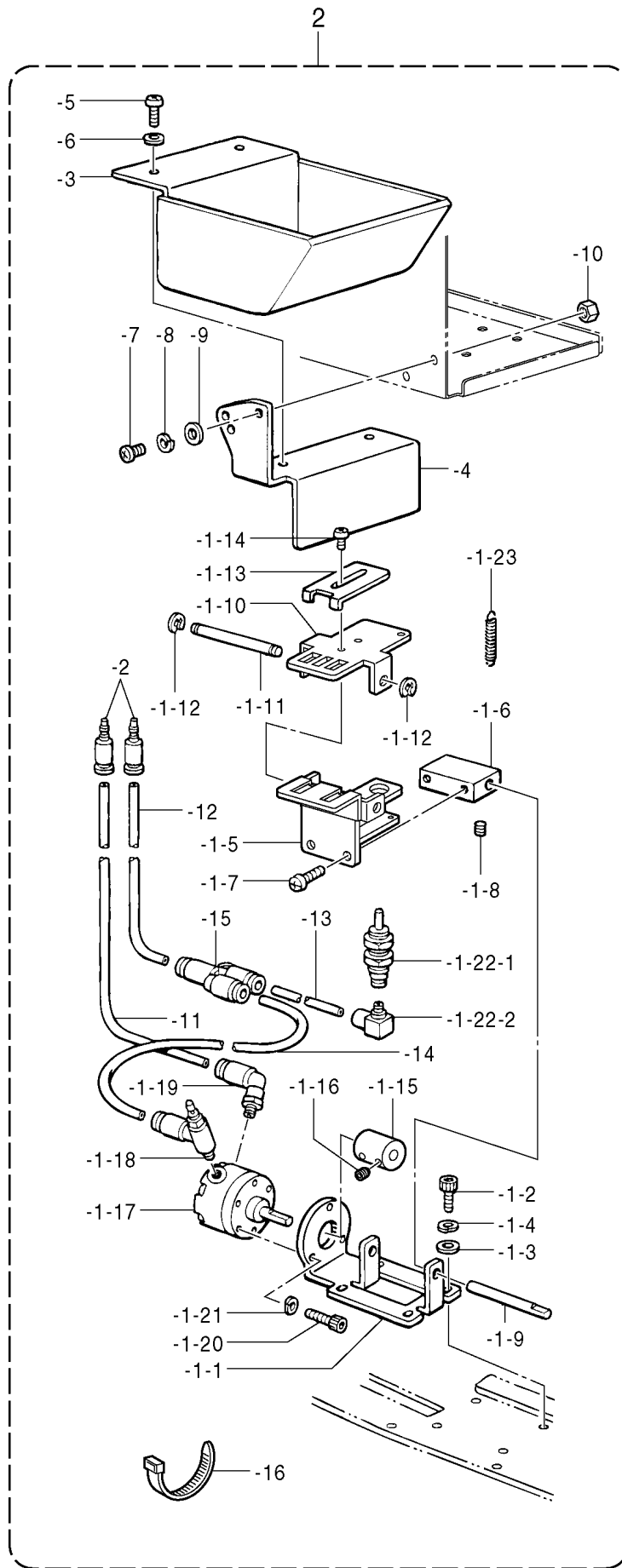
Attachment set (Option part)



Attachment set (Option part)

Ref. No.	Part name	Part code	Q'ty
	<For attaching a right label>		
1	Labeling device, A	S25025-201	1
1-1	Labeling assy	S25026-201	1
1-1-1	Support plate	S25027-001	1
1-1-2	Bolt, socket M4 × 8	018400-832	2
1-1-3	Washer, plain M4	025040-232	2
1-1-4	Washer, spring 2 - 4	028040-242	2
1-1-5	Label bracket	S25028-101	1
1-1-6	Shaft support	S25029-001	1
1-1-7	Screw, bind M4 × 8	060400-816	2
1-1-8	Set screw, socket (CP) M4 × 5	014400-522	2
1-1-9	Shaft, B	S25030-001	1
1-1-10	Clamp, label	S25031-101	1
1-1-11	Shaft, A	S25032-001	1
1-1-12	Retaining ring, E4	048040-342	2
1-1-13	Label positional	S25033-001	1
1-1-14	Screw, bind M3 × 4	060300-414	2
1-1-15	Set screw collar	S41259-001	1
1-1-16	Set screw, socket (CP) M4 × 5	014400-522	4
1-1-17	Rotary cylinder	S25036-000	1
1-1-18	Speed controller, out	S15567-000	1
1-1-19	Elbow union, 4M5	S11426-000	1
1-1-20	Bolt, socket M3 × 12	018301-222	3
1-1-21	Washer, spring 2 - 3	028030-242	3
1-1-22	Pin cylinder assy	S25037-000	1
1-1-22-1	Pin cylinder	S25038-000	1
1-1-22-2	Tube elbow, M-5HL-4	S12150-000	1
1-1-23	Spring, extension	118352-001	1
1-2	Plug	S25040-000	2
1-3	Label box	S25044-000	1
1-4	Label box base	S25045-001	1
1-5	Screw, pan M4 × 8	062400-806	2
1-6	Washer, plain M4	025040-233	2
1-7	Setting bar	S25046-001	1
1-8	Screw, pan M4 × 16	062401-616	2
1-9	Washer, spring 2 - 4	028040-243	2
1-10	Washer, plain M4	025040-233	2
1-11	Support, setting bar	S24956-001	1
1-12	Bolt socket M5 × 20	018502-022	2
1-13	Air tube, 4 × 2.5 - 4L = 260	S12180-000	1
1-14	Air tube, 4 × 2.5 - 3L = 190	S12179-000	1
1-15	Air tube, 4 × 2.5 - 2L = 130	S12178-000	1
1-16	Air tube, 4 × 2.5 - 36L = 75	S25050-000	1
1-17	Union, Y4	S12104-000	1
1-18	Band, 1M	S04159-000	1

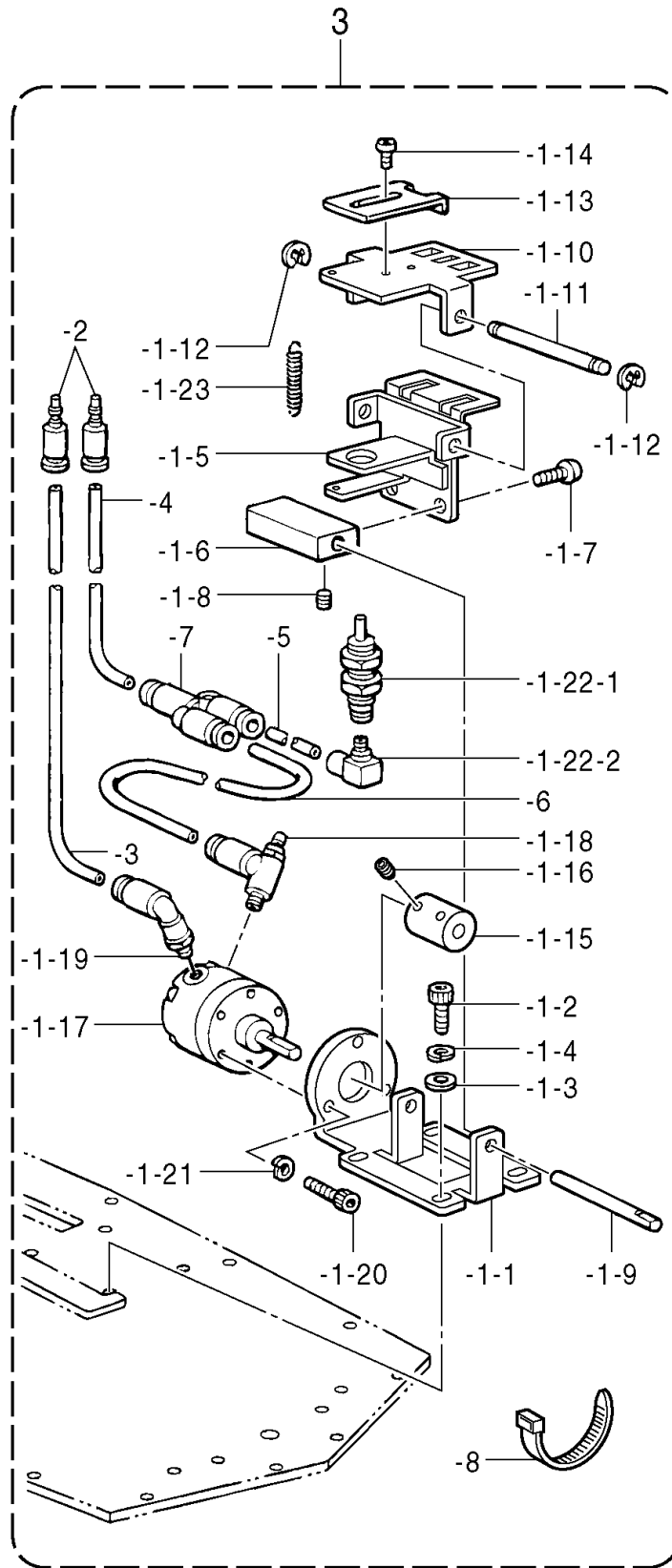
Attachment set (Option part)



Attachment set (Option part)

Ref. No.	Part name	Part code	Q'ty
	<For attaching a left label>		
2	Labeling device, B	S25047-201	1
2-1	Labeling assy	S25026-201	1
2-1-1	Support plate	S25027-001	1
2-1-2	Bolt, socket M4 × 8	018400-832	2
2-1-3	Washer, plain M4	025040-232	2
2-1-4	Washer, spring 2 - 4	028040-242	2
2-1-5	Label bracket	S25028-101	1
2-1-6	Shaft support	S25029-001	1
2-1-7	Screw, bind M4 × 8	060400-816	2
2-1-8	Set screw, socket (CP) M4 × 5	014400-522	2
2-1-9	Shaft, B	S25030-001	1
2-1-10	Clamp, label	S25031-101	1
2-1-11	Shaft, A	S25032-001	1
2-1-12	Retaining ring, E4	048040-342	2
2-1-13	Label positional	S25033-001	1
2-1-14	Screw, bind M3 × 4	060300-414	2
2-1-15	Set screw collar	S41259-001	1
2-1-16	Set screw, socket (CP) M4 × 5	014400-522	4
2-1-17	Rotary cylinder	S25036-000	1
2-1-18	Speed controller, out	S15567-000	1
2-1-19	Elbow union, 4M5	S11426-000	1
2-1-20	Bolt, socket M3 × 12	018301-222	3
2-1-21	Washer, spring 2 - 3	028030-242	3
2-1-22	Pin cylinder assy	S25037-000	1
2-1-22-1	Pin cylinder	S25038-000	1
2-1-22-2	Tube elbow, M - 5HL - 4	S12150-000	1
2-1-23	Spring, extension	118352-001	1
2-2	Plug	S25040-000	2
2-3	Label box	S25044-000	1
2-4	Label box base	S25045-001	1
2-5	Screw, pan M4 × 8	062400-806	2
2-6	Washer, plain M4	025040-233	2
2-7	Screw, pan M4 × 8	062400-806	2
2-8	Washer, spring 2 - 4	028040-243	2
2-9	Washer, plain M4	025040-233	2
2-10	Nut, 2M4	021400-206	2
2-11	Air tube, 4 × 2.5 - 4L = 260	S12180-000	1
2-12	Air tube, 4 × 2.5 - 3L = 190	S12179-000	1
2-13	Air tube, 4 × 2.5 - 2L = 130	S12178-000	1
2-14	Air tube, 4 × 2.5 - 36L = 75	S25050-000	1
2-15	Union, Y4	S12104-000	1
2-16	Band, 1M	S04159-000	1

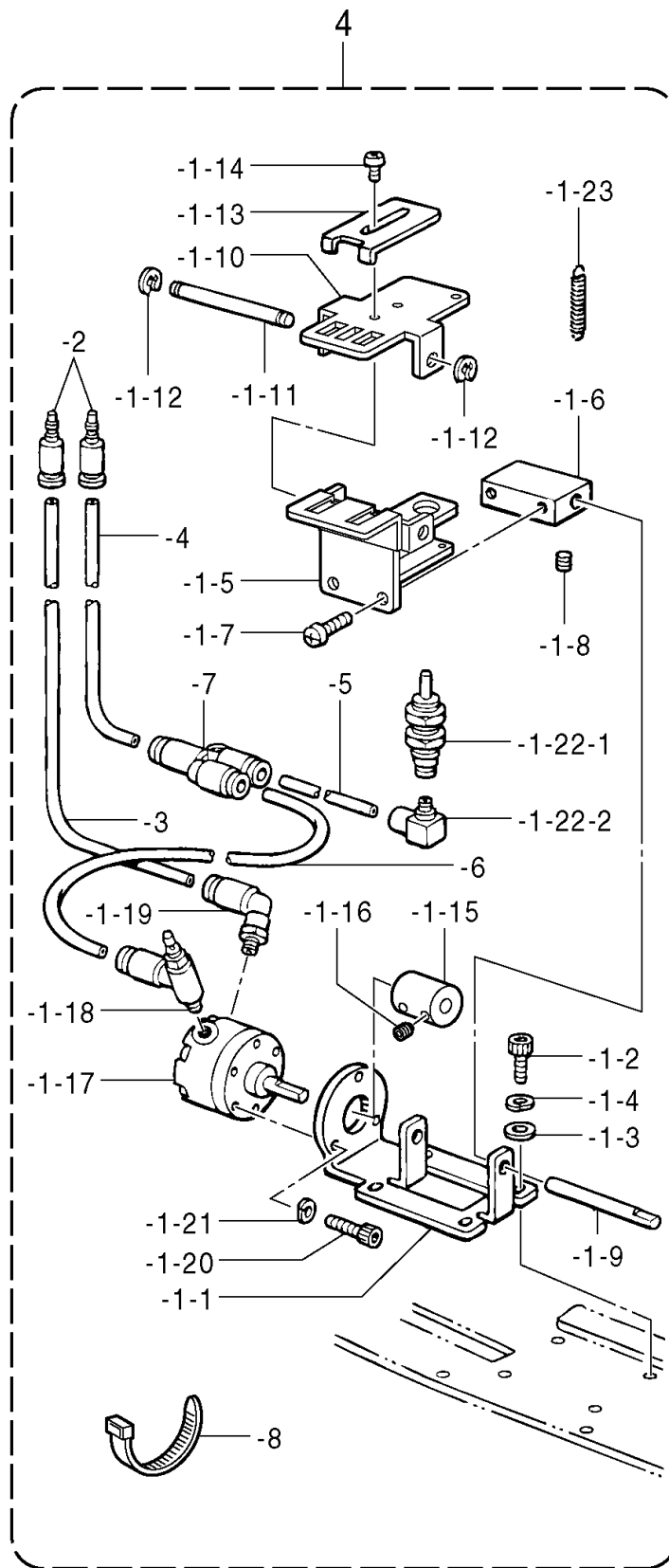
Attachment set (Option part)



Attachment set (Option part)

Ref. No.	Part name	Part code	Q'ty
	<For attaching a right label>		
3	Labeling assy, A	S31971-201	1
3-1	Labeling assy	S25026-201	1
3-1-1	Support plate	S25027-001	1
3-1-2	Bolt, socket M4 × 8	018400-832	2
3-1-3	Washer, plain M4	025040-232	2
3-1-4	Washer, spring 2 - 4	028040-242	2
3-1-5	Label bracket	S25028-101	1
3-1-6	Shaft support	S25029-001	1
3-1-7	Screw, bind M4 × 8	060400-816	2
3-1-8	Set screw, socket (CP) M4 × 5	014400-522	2
3-1-9	Shaft, B	S25030-001	1
3-1-10	Clamp, label	S25031-101	1
3-1-11	Shaft, A	S25032-001	1
3-1-12	Retaining ring, E4	048040-342	2
3-1-13	Label positional	S25033-001	1
3-1-14	Screw, bind M3 × 4	060300-414	2
3-1-15	Set screw collar	S41259-001	1
3-1-16	Set screw, socket (CP) M4 × 5	014400-522	4
3-1-17	Rotary cylinder	S25036-000	1
3-1-18	Speed controller, out	S15567-000	1
3-1-19	Elbow union, 4M5	S11426-000	1
3-1-20	Bolt, socket M3 × 12	018301-222	3
3-1-21	Washer, spring 2 - 3	028030-242	3
3-1-22	Pin cylinder assy	S25037-000	1
3-1-22-1	Pin cylinder	S25038-000	1
3-1-22-2	Tube elbow, M - 5HL- 4	S12150-000	1
3-1-23	Spring, extension	118352-001	1
3-2	Plug	S25040-000	2
3-3	Air tube, 4 × 2.5 - 4L = 260	S12180-000	1
3-4	Air tube, 4 × 2.5 - 3L = 190	S12179-000	1
3-5	Air tube, 4 × 2.5 - 2L = 130	S12178-000	1
3-6	Air tube, 4 × 2.5 - 36L = 75	S25050-000	1
3-7	Union, Y4	S12104-000	1
3-8	Band, 1M	S04159-000	1

Attachment set (Option part)



Attachment set (Option part)

Ref. No.	Part name	Part code	Q'ty
	<For attaching a left label>		
4	Labeling assy, B	S31972-201	1
4-1	Labeling assy	S25026-201	1
4-1-1	Support plate	S25027-001	1
4-1-2	Bolt, socket M4 × 8	018400-832	2
4-1-3	Washer, plain M4	025040-232	2
4-1-4	Washer, spring 2 - 4	028040-242	2
4-1-5	Label bracket	S25028-101	1
4-1-6	Shaft support	S25029-001	1
4-1-7	Screw, bind M4 × 8	060400-816	2
4-1-8	Set screw, socket (CP) M4 × 5	014400-522	2
4-1-9	Shaft, B	S25030-001	1
4-1-10	Clamp, label	S25031-101	1
4-1-11	Shaft, A	S25032-001	1
4-1-12	Retaining ring, E4	048040-342	2
4-1-13	Label positional	S25033-001	1
4-1-14	Screw, bind M3 × 4	060300-414	2
4-1-15	Set screw collar	S41259-001	1
4-1-16	Set screw, socket (CP) M4 × 5	014400-522	4
4-1-17	Rotary cylinder	S25036-000	1
4-1-18	Speed controller, out	S15567-000	1
4-1-19	Elbow union, 4M5	S11426-000	1
4-1-20	Bolt, socket M3 × 12	018301-222	3
4-1-21	Washer, spring 2 - 3	028030-242	3
4-1-22	Pin cylinder assy	S25037-000	1
4-1-22-1	Pin cylinder	S25038-000	1
4-1-22-2	Tube elbow, M - 5HL- 4	S12150-000	1
4-1-23	Spring, extension	118352-001	1
4-2	Plug	S25040-000	2
4-3	Air tube, 4 × 2.5 - 4L = 260	S12180-000	1
4-4	Air tube, 4 × 2.5 - 3L = 190	S12179-000	1
4-5	Air tube, 4 × 2.5 - 2L = 130	S12178-000	1
4-6	Air tube, 4 × 2.5 - 36L = 75	S25050-000	1
4-7	Union, Y4	S12104-000	1
4-8	Band,1M	S04159-000	1