

DB2-DD7100A

Single Needle Direct Drive Straight Lock
Stitcher with Thread Trimmer



Model

DB2-DD7100---A-

Device				
	Thread Trimmer	Quick back Device	Thread wiper	Automatic presser lifter
3	○	○	—	—
4	○	○	○	—
9	○	○	○	○

	Lower thread detector
0	—
1	○

Application	
S	—
1	Difficult-to-sew and light materials
3	Medium materials
5	Heavy materials

Operation panel	
	B-40
	B-100

Specifications

		□□S	□□1	□□3	□□5
Application		—	Difficult-to-sew and light materials	Medium materials	Heavy materials
Max speed		3,000 rpm	4,000 rpm	5,000 rpm	3,500 rpm
Max stitch length		4.2 mm			5 mm
Height of Presser foot	Manual	6 mm			
	Knee	13 mm			
	Auto	10 mm			
Type and height of feed dog		—	4 row 0.8 mm	3 row 0.8 mm	3 row (rough) 1.2 mm
Needles		—	DB×1NS #9 DB×5NS #9	DB×1 #11 DB×5 #11	DB×1 #22 DB×5 #22
Hook		RP hook	Rotary hook for thread trimming		
Bed size		476×178 mm			
Arm pocket size		266.5×134.5 mm			

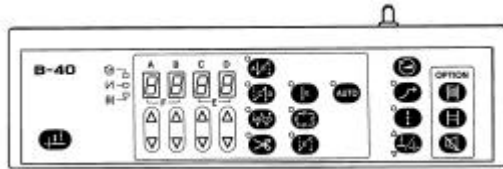
Motor specifications

High sewing speed	220 rpm to the maximum (Changeable)
Low sewing speed	220 rpm
Front/continuous backtacking speed	220 rpm to 1,800 rpm (Changeable)
End backtacking speed	1,800 rpm
Motor	AC servomotor (3-phase/single-phase 4 pole 400 W, 100 240 V)
Control circuit	Microcomputer

Control box : MD721 (Single-phase), MD731 (3-phase)

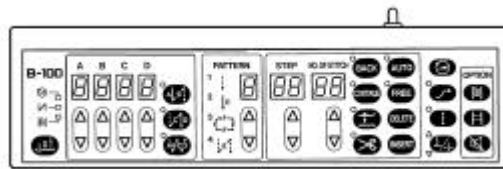
Operating panel

B-40



J80627-001

B-100



FOR JAPAN ONLY J80628-001
FOR EXPORT J80629-001

Basic function

		B-40	B-100
AUTO	Automatic sewing	○	○
A/B	Start backtack (0-9)	○	○
C/D	End backtack (0-9)	○	○
ABCD	Continuous backtack (0-9)	○	○
↓	Correction sewing	○	○
↓↑	Half stitch	○	○
⌚	Sewing speed setting	○	○
↶	Slow start sewing	○	○
↑/↓	Needle up stop / Needle down stop	○	○
⏏	Lower thread detector (optional)	○	○

Pattern sewing

		B-40	B-100
↓	Normal lock stitch	○	○
↓	Fixed stitch (1-99)	○	○
E	Name label stitch (1-99)	○	○
E	Pleats presser stitch (1-99)	○	○
PATTRN	Pattern stitch	—	○

Pattern setting

		B-40	B-100
✂	Automatic thread trimming	○	○
↑	Automatic presser foot lifting	—	○
BACK	Back stitch	—	○
CONTINUE	Continuous stitch	—	○
DELETE	Step deletion	—	○
INSERT	Step insertion	—	○
FREE	Temporarily cancel programming sewing	—	○

Options

Part name		Code
Presser foot lifting solenoid set A	With knee switch	S80008-001
Presser foot lifting solenoid set B	Without knee switch	S80009-001
Bobbin thread detector set		S80007-001
Thread wiper set		
Tension gauge set		183922-001
Auto bobbin changer		
Set for new synthetic fabric*	For -□□3 models	183910-101

* If changing -□□1 models to new synthetic fabric specifications, please use the following parts.

Rotary hook box assy S44338-901

Cap screw S35786-001

Work table parts

Part name	Code
Standing operation 2 pedal #6 (Two pedals + kick pedal)	J80081-040
Standing operation 3 pedal #40 (Three pedals)	J80380-040
Spacer set	183504-009
Caster set	183501-001
Foot plug set, NDD (For control box)	J02953-001

Gauge parts list

3ROW

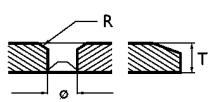
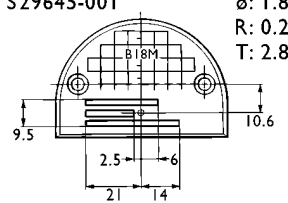
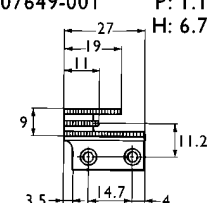
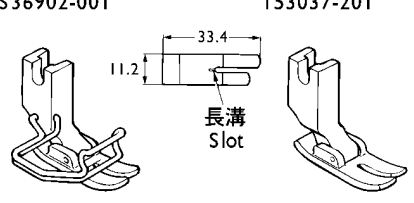
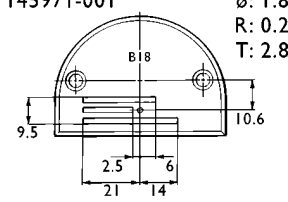
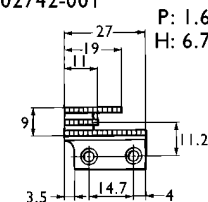
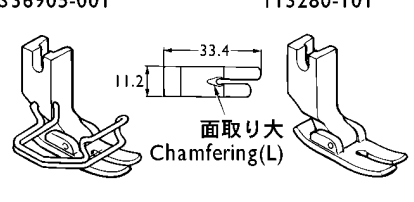
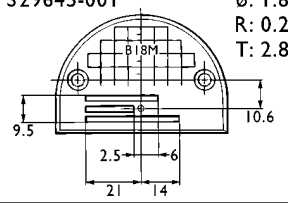

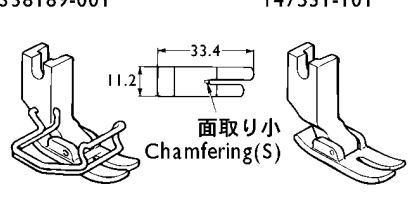
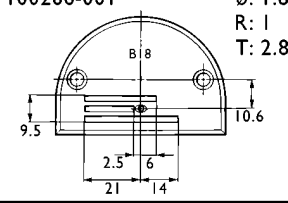
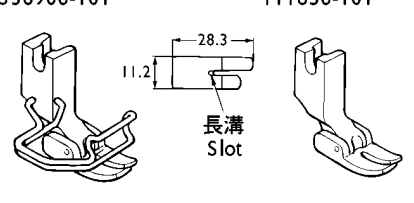
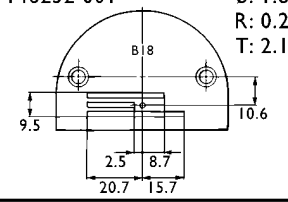
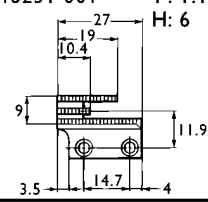
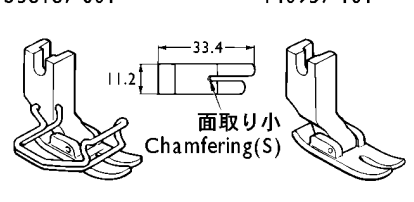
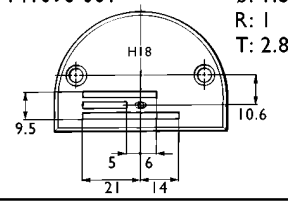
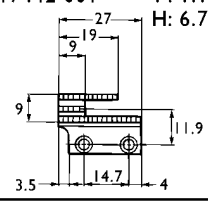
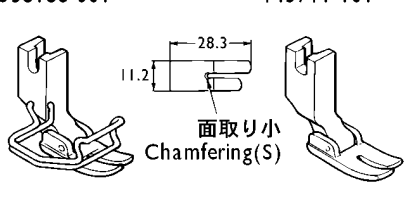
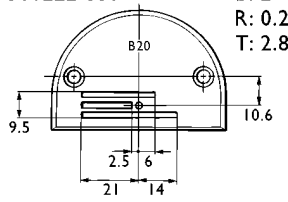
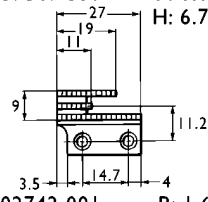
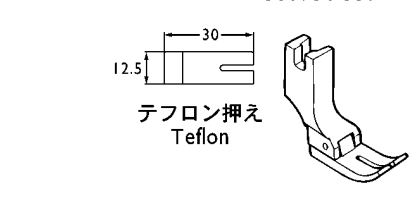
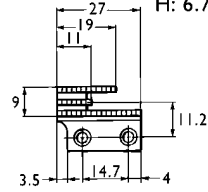
[Models, DD7100, DD7100A, B736, B737MK II]

用途 Application	針板 Needle plate		送り歯 Feed dog	押工組 Presser foot assy		
	記号 Mark					
薄・中厚物用 Light & medium-weight materials	B12	153147-001 	146231-001 	S36902-001 	153037-201 	
	B14	146233-001 		S36905-001 	113280-101 	
	NB14M	S29649-001 		S38189-001 	147531-101 	
	NB16M	S29646-001 		S36906-101 	111856-101 	
	B14	146050-001 		S07649-001 	S38187-001 	140957-101
	B14	147238-001 		S38188-001 	143711-101 	
	B16	153190-001 		S02742-001 	S01904-001 	
	B16	147239-001 				

GAUGE PARTS LIST

3ROW

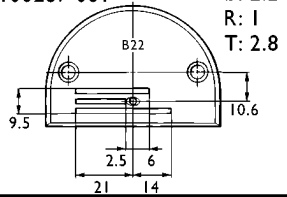
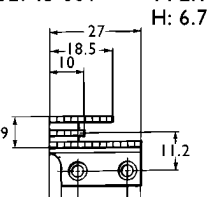
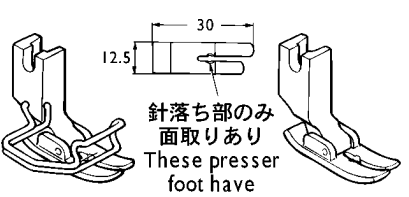
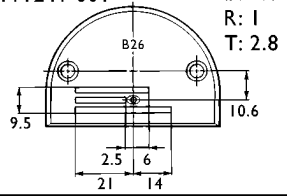
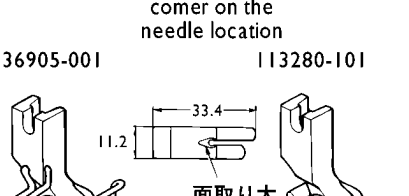
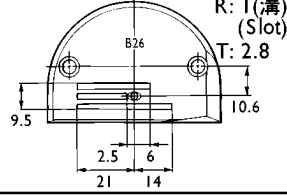
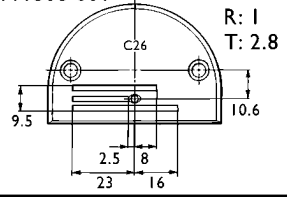
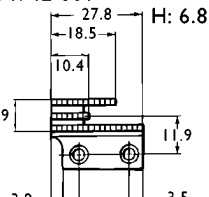
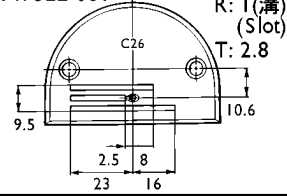
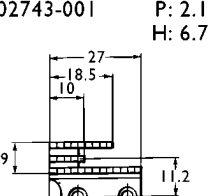
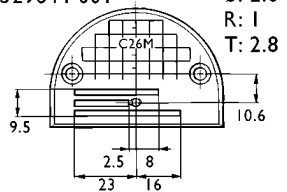
[Models, DD7100, DD7100A, B736, B737MK II]

用途 Application	針板 Needle plate		送り歯 Feed dog	押工組 Presser foot assy	
	記号 Mark				
薄・中厚物用 Light & medium-weight materials	B18M	<p>S29645-001</p> <p>ø: 1.8 R: 0.2 T: 2.8</p> 	<p>S07649-001 P: 1.15 H: 6.7</p> 	<p>S36902-001 I53037-201</p>  <p>長溝 Slot</p>	
	B18	<p>I45971-001</p> <p>ø: 1.8 R: 0.2 T: 2.8</p> 		<p>S02742-001 P: 1.6 H: 6.7</p> 	<p>S36905-001 I13280-101</p>  <p>面取り大 Chamfering(L)</p>
中厚物用 medium-weight materials	B18M	<p>S29645-001</p> <p>ø: 1.8 R: 0.2 T: 2.8</p> 	<p>S02742-001 P: 1.6 H: 6.7</p> 		<p>S38189-001 I47531-101</p>  <p>面取り小 Chamfering(S)</p>
	B18	<p>I00266-001</p> <p>ø: 1.8 R: 1 T: 2.8</p> 		<p>S36906-101 I11856-101</p>  <p>長溝 Slot</p>	
	B18	<p>I46232-001</p> <p>ø: 1.8 R: 0.2 T: 2.1</p> 		<p>I46231-001 P: 1.15 H: 6</p> 	<p>S38187-001 I40957-101</p>  <p>面取り小 Chamfering(S)</p>
	H18	<p>I41096-001</p> <p>ø: 1.8 R: 1 T: 2.8</p> 		<p>I17442-001 P: 1.15 H: 6.7</p> 	<p>S38188-001 I43711-101</p>  <p>面取り小 Chamfering(S)</p>
	B20	<p>S11222-001</p> <p>ø: 2 R: 0.2 T: 2.8</p> 		<p>S07649-001 P: 1.15 H: 6.7</p> 	<p>S01904-001</p>  <p>テフロン押え Teflon</p>
				<p>S02742-001 P: 1.6 H: 6.7</p> 	

GAUGE PARTS LIST

3ROW

[Models, DD7100, DD7100A, B736, B737MK II]

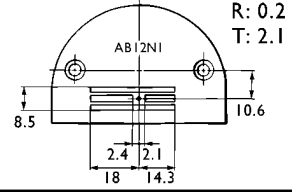
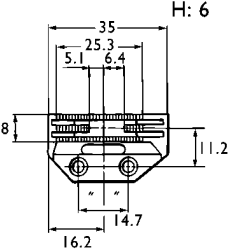
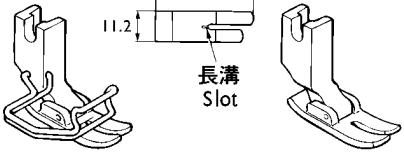
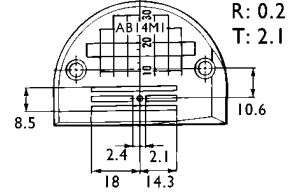
用途 Application	針板 Needle plate 記号 Mark	送り歯 Feed dog	押工組 Presser foot assy
厚物用 Heavy-weight materials	B22 100267-001 $\phi: 2.2$ R: 1 T: 2.8 	S02743-001 P: 2.1 H: 6.7 	S36904-001 145157-101  針落ち部のみ 面取りあり These presser foot have chamfering comer on the needle location
	B26 111241-001 $\phi: 2.6$ R: 1 T: 2.8 		S36905-001 113280-101  面取り大 Chamfering(L)
	B26 147245-001 $\phi: 2.6$ R: 1(溝) T: 2.8 (Slot) 		
	C26 111508-001 $\phi: 2.6$ R: 1 T: 2.8 	154742-001 P: 1.6 H: 6.8 	
	C26 147322-001 $\phi: 2.6$ R: 1(溝) T: 2.8 (Slot) 	S02743-001 P: 2.1 H: 6.7 	
	C26M S29644-001 $\phi: 2.6$ R: 1 T: 2.8 		

* If a feed dog measuring 11.9 mm from the screw hole center to tooth center is used, shift the feed bar crank and feed lifting crank 0.7 mm to the left.

GAUGE PARTS LIST

4ROW

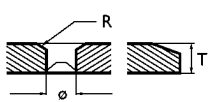
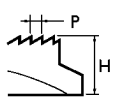
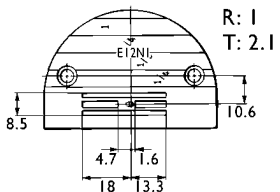
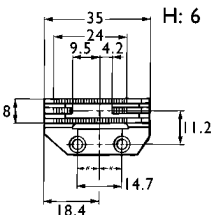
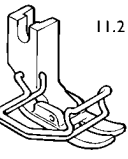
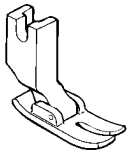
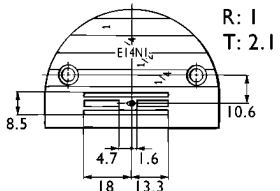


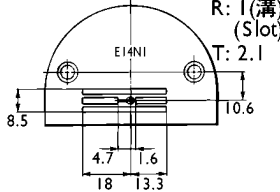
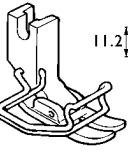
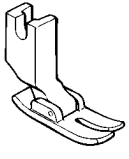
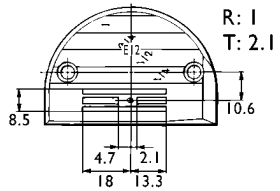
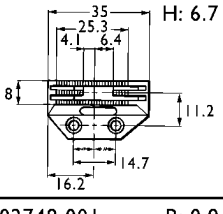
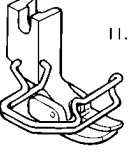
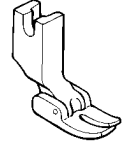
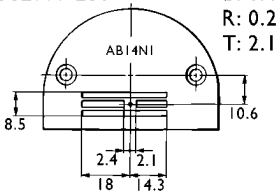
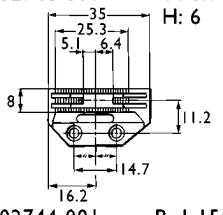
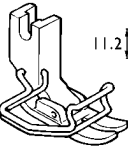
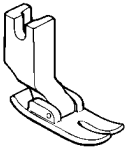
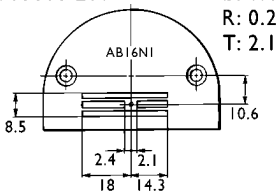
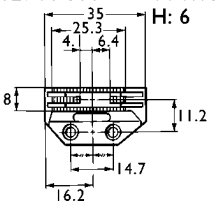
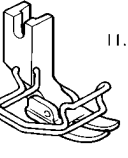
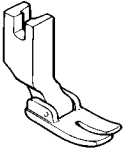
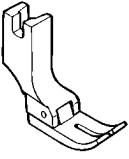
[Models, DD7100, DD7100A, B736, B737MK II]

用途 Application	針板 Needle plate 記号 Mark	送り歯 Feed dog	押工組 Presser foot assy
難素材用 Difficult-to-sew materials	S38760-001  ø: 1.2 R: 0.2 T: 2.1	S02748-001  P: 0.9 H: 6	S38190-001 S35777-101  長溝 Slot
新素材用 Shin-gosen	S35776-101  ø: 1.4 R: 0.2 T: 2.1	(Same as above)	(Same as above)

GAUGE PARTS LIST

4ROW

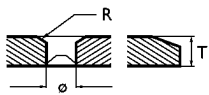
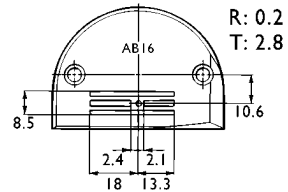
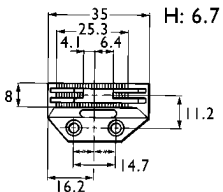
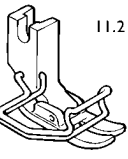
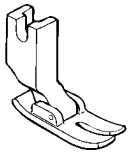
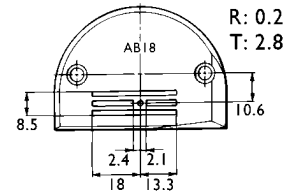


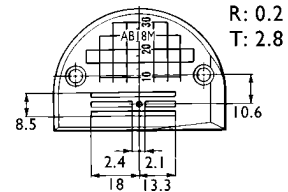
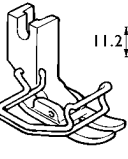
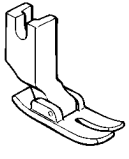
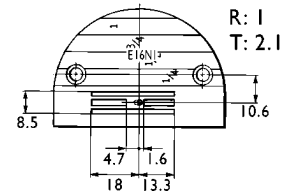
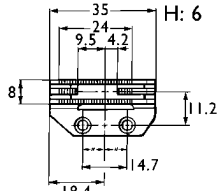
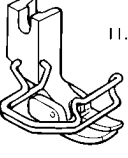
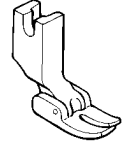
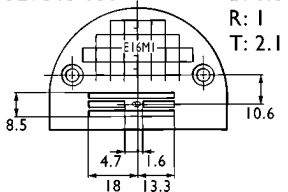
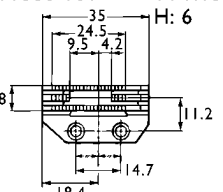
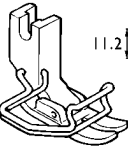
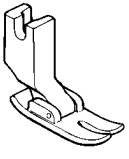
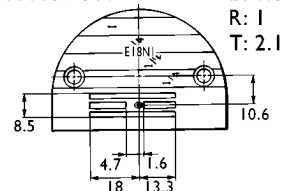
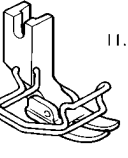
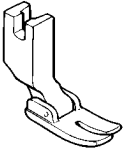
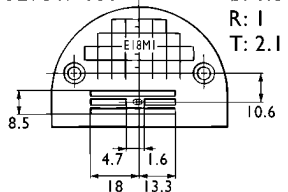
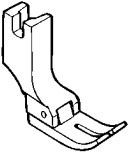
[Models, DD7100, DD7100A, B736, B737MK II]

用途 Application	針板 Needle plate		送り歯 Feed dog	押工組 Presser foot assy	
	記号 Mark				
薄・中厚物用 Light & medium-weight materials	E12NI	S03882-201  ø: 1.2 R: 1 T: 2.1	S03885-001  P: 0.9 H: 6	S36902-001 	I53037-201  長溝 Slot
	E14NI	S03883-201  ø: 1.4 R: 1 T: 2.1		S36905-001 	I13280-101  面取り大 Chamfering(L)
	E14NI	I59859-201  ø: 1.4 R: 1(溝) T: 2.1 (Slot)		S38189-001 	I47531-101  面取り小 Chamfering(S)
	E12	S01107-101  ø: 1.2 R: 1 T: 2.1	S13684-001  P: 1.6 H: 6.7	S36906-101 	I11856-101  長溝 Slot
	AB14NI	S02999-201  ø: 1.4 R: 0.2 T: 2.1	S02748-001  P: 0.9 H: 6	S38187-001 	I40957-101  面取り小 Chamfering(S)
	AB16NI	S03000-201  ø: 1.4 R: 0.2 T: 2.1	S02744-001  P: 1.15 H: 6	S38188-001 	I43711-101  面取り小 Chamfering(S)
				S01904-001  テフロン押え Teflon	

GAUGE PARTS LIST

4ROW

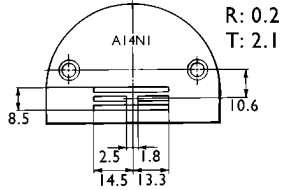
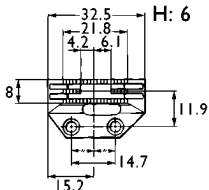
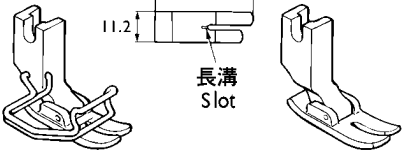
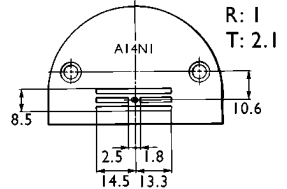
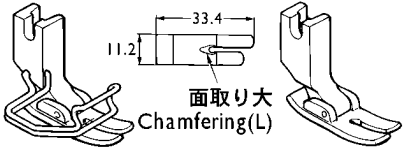
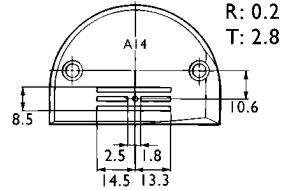
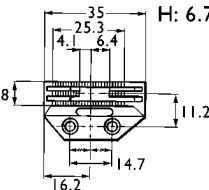
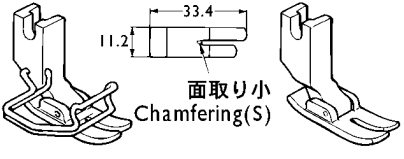
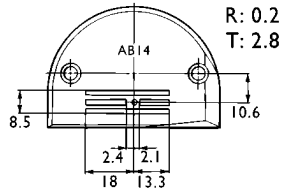
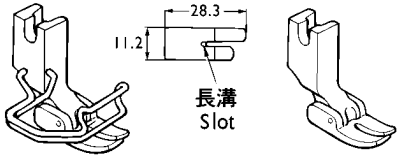
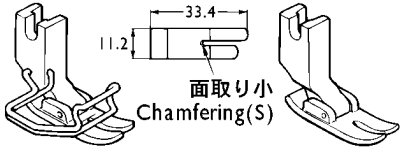
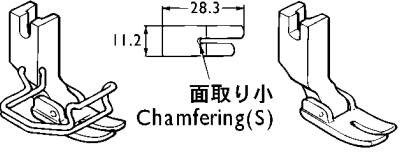
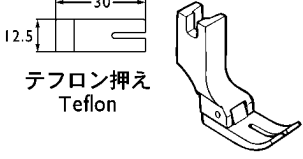
[Models, DD7100, DD7100A, B736, B737MK II]

用途 Application	針板 Needle plate		送り歯 Feed dog	押工組 Presser foot assy
	記号 Mark			
薄・中厚物用 Light & medium-weight materials	AB16	S156115-001  ø: 1.6 R: 0.2 T: 2.8	S13684-001  P: 1.6 H: 6.7	S36902-001  I53037-201  長溝 Slot
	AB18	S156116-001  ø: 1.8 R: 0.2 T: 2.8		S36905-001  I13280-101  面取り大 Chamfering(L)
	AB18M	S31910-001  ø: 1.8 R: 0.2 T: 2.8		S38189-001  I47531-101  面取り小 Chamfering(S)
	E16NI	S03884-301  ø: 1.6 R: 1 T: 2.1	S03885-001  P: 0.9 H: 6	S36906-101  I11856-101  長溝 Slot
	E16MI	S29648-101  ø: 1.6 R: 1 T: 2.1	I11860-101  P: 1.15 H: 6	S38187-001  I40957-101  面取り小 Chamfering(S)
	E18NI	I11859-301  ø: 1.8 R: 1 T: 2.1		S38188-001  I43711-101  面取り小 Chamfering(S)
	E18MI	S29647-101  ø: 1.8 R: 1 T: 2.1		S01904-001  テフロン押え Teflon

GAUGE PARTS LIST

4ROW

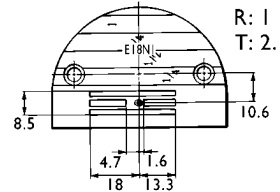
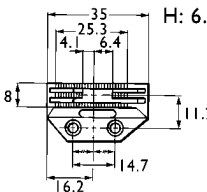
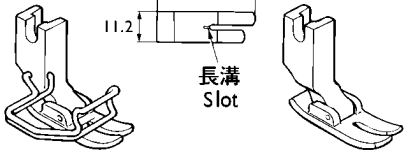
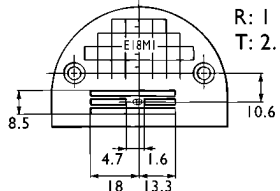
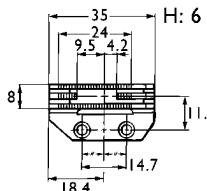
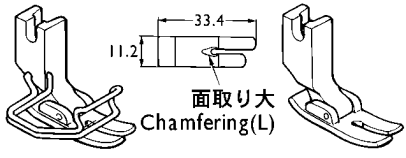

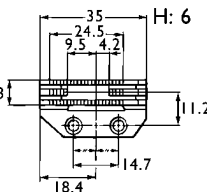
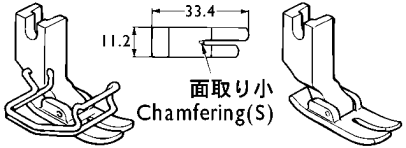
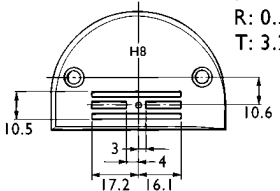
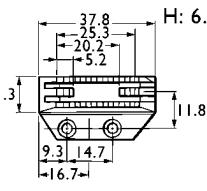
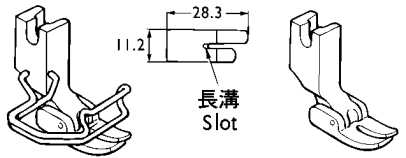
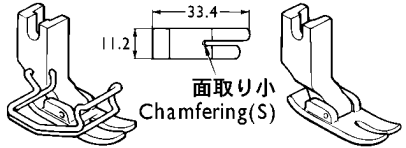
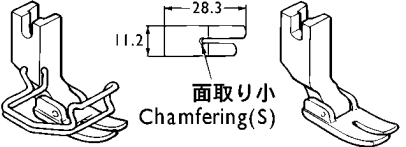
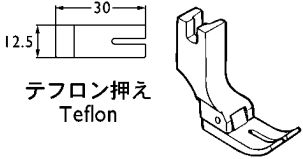
[Models, DD7100, DD7100A, B736, B737MK II]

用途 Application	針板 Needle plate 記号 Mark	送り歯 Feed dog	押工組 Presser foot assy
薄・中厚物用 Light & medium-weight materials	A14NI 146053-201  ø: 1.4 R: 0.2 T: 2.1	I11898-001 P: 1.15  H: 6	S36902-001 I53037-201  長溝 Slot
	A14NI 100603-201  ø: 1.4 R: 1 T: 2.1		S36905-001 I13280-101  面取り大 Chamfering(L)
	A14 155676-001  ø: 1.4 R: 0.2 T: 2.8	S13684-001 P: 1.6  H: 6.7	S38189-001 I47531-101  面取り小 Chamfering(S)
	AB14 156114-001  ø: 1.4 R: 0.2 T: 2.8		S36906-101 I11856-101  長溝 Slot
			S38187-001 I40957-101  面取り小 Chamfering(S) S38188-001 I43711-101  面取り小 Chamfering(S) S01904-001  テフロン押え Teflon

GAUGE PARTS LIST

4ROW

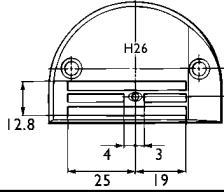
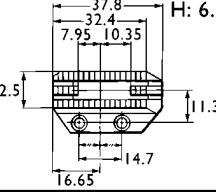
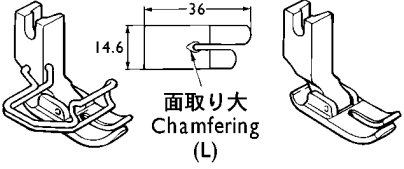
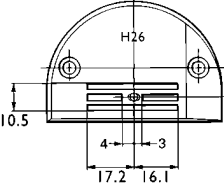
[Models, DD7100, DD7100A, B736, B737MK II]

用途 Application	針板 Needle plate 記号 Mark	送り歯 Feed dog	押工組 Presser foot assy
薄・中厚物用 Light & medium-weight materials	E18NI I11859-301 $\varnothing: 1.8$ R: 1 T: 2.1 	S13684-001 P: 1.6 H: 6.7 	S36902-001 I53037-201  長溝 Slot
	E18MI S29647-101 $\varnothing: 1.8$ R: 1 T: 2.1 	S03885-001 P: 0.9 H: 6 	S36905-001 I13280-101  面取り大 Chamfering(L)
	H18 S30103-001 $\varnothing: 1.8$ R: 0.5 T: 3.2 	I11860-101 P: 1.15 H: 6 	S38189-001 I47531-101  面取り小 Chamfering(S)
	H18 S30103-001 $\varnothing: 1.8$ R: 0.5 T: 3.2 	S25822-001 P: 1.8 H: 6.8 	S36906-101 I11856-101  長溝 Slot
			S38187-001 I40957-101  面取り小 Chamfering(S)
			S38188-001 I43711-101  面取り小 Chamfering(S) S01904-001 テフロン押え Teflon 

GAUGE PARTS LIST

4ROW

[Models, DD7100, DD7100A, B736, B737MK II]

用途 Application	針板 Needle plate 記号 Mark	送り歯 Feed dog	押工組 Presser foot assy
厚物用 Heavy-weight Materials	H26 I50792-001 $\varnothing: 2.6$ R: 1 T: 3.2 	I50793-001 $P: 1.8$ $H: 6.8$ 	S36903-001 I50789-101 
	H26 S25821-001 $\varnothing: 2.6$ R: 1 T: 3.2 	S25822-001 $P: 1.8$ $H: 6.8$ 