

FEED REGULATOR

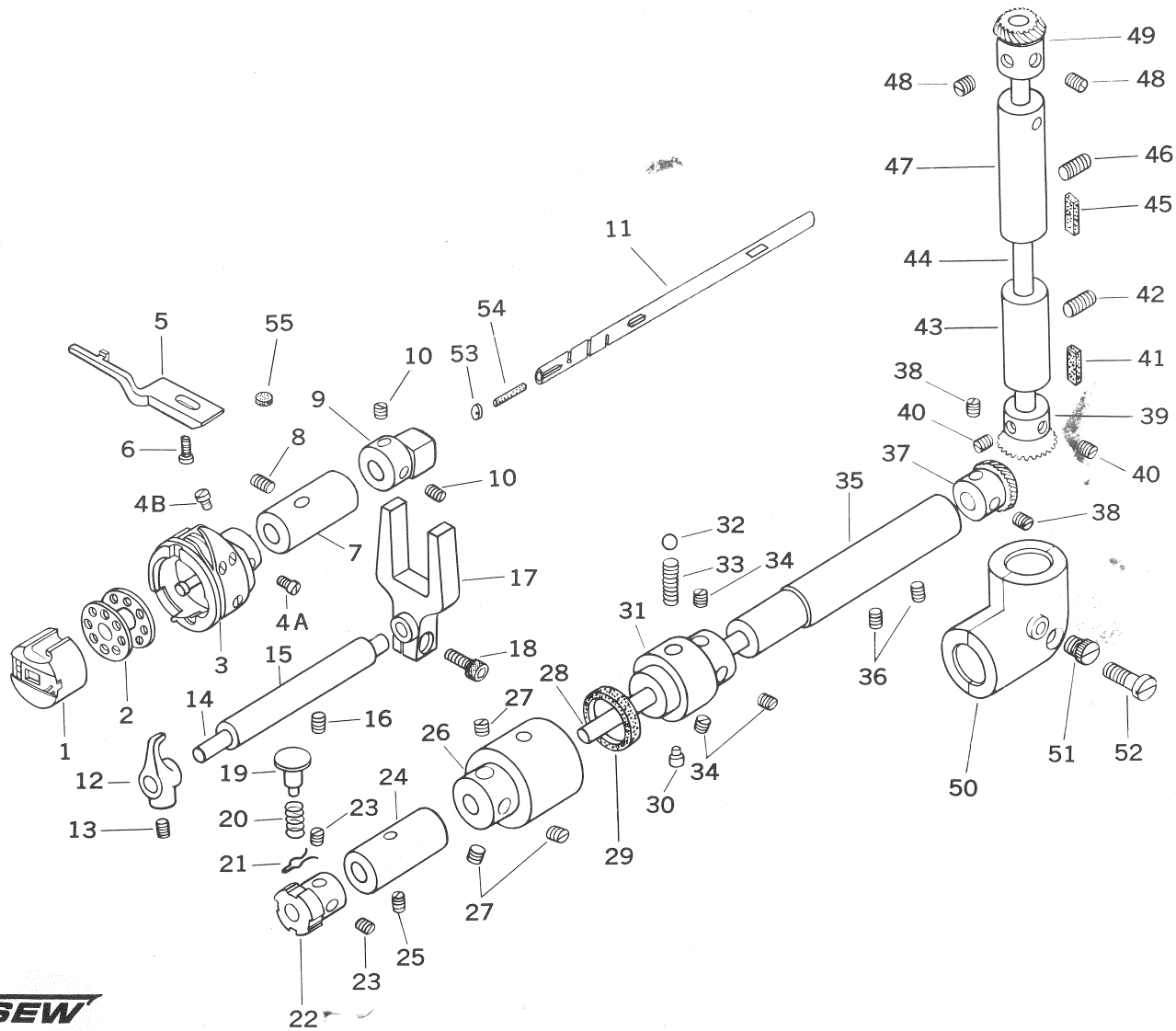
13

| Fig. No. | Parts No. | Quantity | Name of Parts |
|----------|-----------|----------|--------------------------------|
| 1 | 17209 | 1 | Feed regulating screw |
| 2 | 17053 | 1 | Set screw for #18022 |
| 3 | 18022 | 1 | Feed regulator |
| 4 | 4019 | 1 | Set screw for #18025 |
| 5 | 8105 | 1 | Nut for #18025 |
| 6 | 4135 | 1 | Nut for #18026 |
| 7 | 17059 | 1 | Screw for #18026 |
| 8 | 18026 | 1 | Feed regulating lever spring |
| 9 | 18025 | 1 | Feed regulating lever |
| 10 | 13417 | 1 | Feed adjusting pipe |
| 11 | 8158 | 1 | Bearing ball 1/8" |
| 12 | 8157 | 1 | Spring for #8158 |
| 13 | 13416 | 1 | Feed adjusting knurling tool |
| 14 | 18027 | 1 | Reverse stitch lever |
| 15 | 18028 | 2 | Screw (small) for #18027 |
| 16 | 17055 | 1 | Feed regulating support stud |
| 17 | 17057 | 1 | Washer for #17055 |
| 18 | 18023 | 1 | Feed regulating base |
| 19 | 17060 | 1 | Supporting stud pushing screw |
| 20 | 17056 | 1 | Screw for #18023 |
| 21 | 50174 | 2 | Pin for #18023 |
| 22 | 12361 | 4 | Screw for #18023 |
| 23 | 17093 | 2 | Set screw for #18024 |
| 24 | 18024 | 1 | Stitch length indicating plate |



GONSEW

14 ARM SHAFT (UPRIGHT), LOWER SHAFT



CONSEW

ARM SHAFT (UPRIGHT), LOWER SHAFT

15

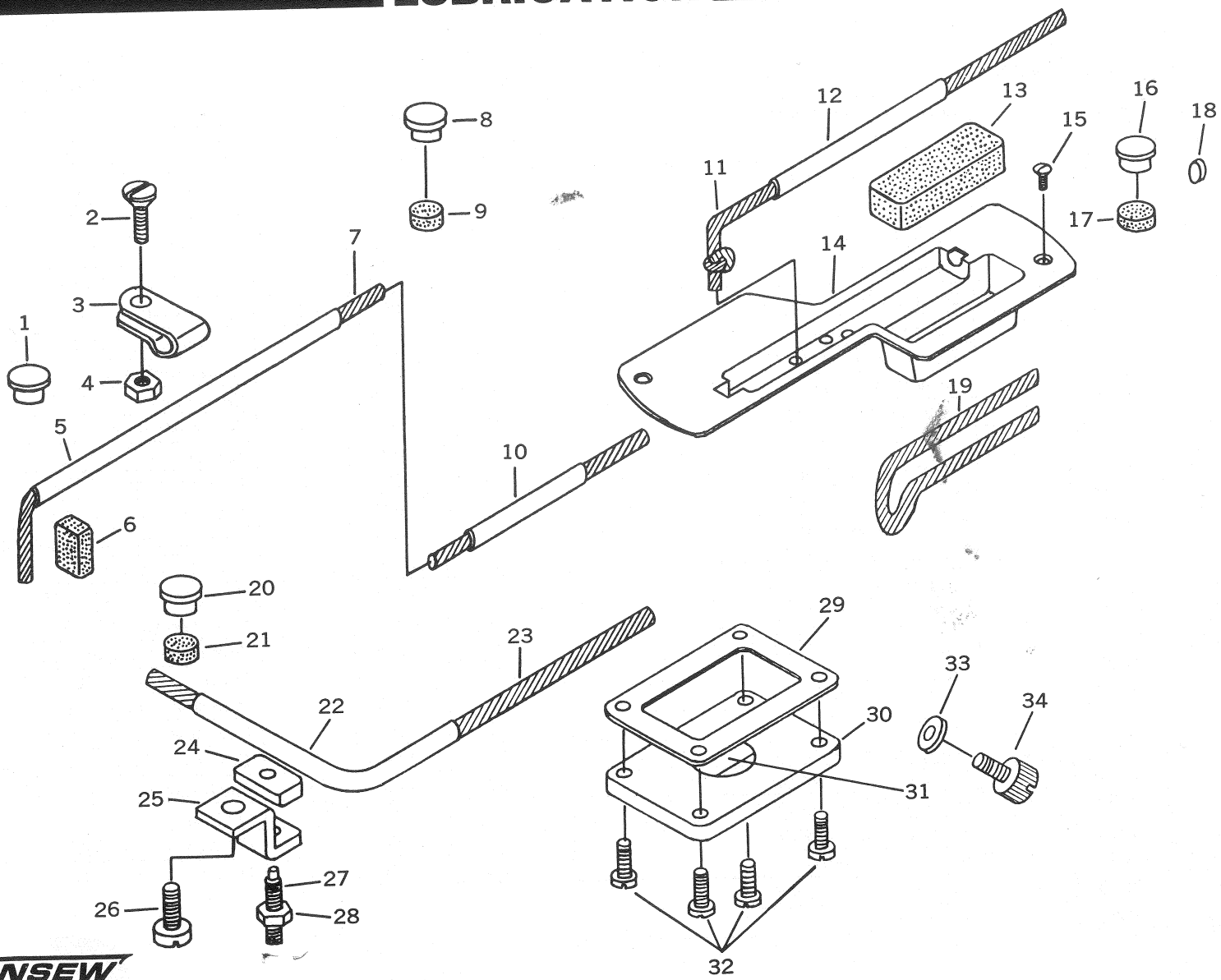
| Fig. No. | Parts No. | Quantity | Name of Parts |
|----------|-----------|----------|--------------------------------|
| 1 | 18045 | 1 | Bobbin case complete |
| 2 | 18034 | 1 | Bobbin |
| 3 | 18033 | 1 | Rotating hook complete |
| 4A | 18033-7 | 1 | Hook set screw (A) |
| 4B | 18033-8 | 1 | Hook set screw (B) |
| 5 | 18035 | 1 | Hook supporting plate |
| 6 | 6025 | 1 | Set screw for #18035 |
| 7 | 18090 | 1 | Hook shaft bushing (front) |
| 8 | 8009 | 1 | Set screw for #18037 |
| 9 | 18044 | 1 | Hook shaft collar |
| 10 | 8009 | 2 | Set screw for #18044 |
| 11 | 18089 | 1 | Hook driving shaft |
| 12 | 18039 | 1 | Thread release finger |
| 13 | 18040 | 1 | Set screw for #18039 |
| 14 | 18041 | 1 | Thread releasing shaft |
| 15 | 18042 | 1 | Thread releasing shaft bushing |
| 16 | 21124 | 1 | Set screw for #18042 |
| 17 | 18043 | 1 | Thread releasing shaft fork |
| 18 | 30066 | 1 | Pinch screw for #18043 |
| 19 | 18053 | 1 | Push button |
| 20 | 18054 | 1 | Push button spring |
| 21 | 10674 | 1 | Clip for #18033 |
| 22 | 18052 | 1 | Hook shaft lock ratchet |
| 23 | 17022 | 2 | Set screw for #18052 |
| 24 | 18038 | 1 | Hook shaft bushing (rear) |
| 25 | 8009 | 1 | Set screw for #18038 |
| 26 | 18047 | 1 | Safety clutch (left) |
| 27 | 17019 | 3 | Set screw for #18047 |
| 28 | 18056 | 1 | Lower shaft |

| Fig. No. | Parts No. | Quantity | Name of Parts |
|----------|-----------|----------|-------------------------------------|
| 29 | 18046 | 1 | Oil wick for #18047 |
| 30 | 18051 | 1 | Set screw for #18050 |
| 31 | 18048 | 1 | Safety clutch (right) |
| 32 | 18049 | 1 | Steel ball |
| 33 | 18050 | 1 | Spring for #18041 |
| 34 | 17019 | 3 | Set screw for #18041 |
| 35 | 18057 | 1 | Lower shaft bushing |
| 36 | 8009 | 2 | Set screw for #18057 |
| 37 | 17028 | 1 | Lower shaft gear (spiral) |
| 38 | 17022 | 2 | Set screw for #17027 |
| 39 | 17023 | 1 | Arm shaft (upright) gear (lower) |
| 40 | 17022 | 2 | Set screw for #17023 |
| 41 | 17026 | 1 | Oiling felt for #17025 |
| 42 | 10571 | 1 | Set screw for #17026 |
| 43 | 17025 | 1 | Arm shaft (upright) bushing (lower) |
| 44 | 17020 | 1 | Arm shaft (upright) |
| 45 | 17026 | 1 | Oiling felt for #17024 |
| 46 | 10571 | 1 | Set screw for #17026 |
| 47 | 17024 | 1 | Arm shaft (upright) bushing (upper) |
| 48 | 17022 | 2 | Set screw for #17021 |
| 49 | 17021 | 1 | Arm shaft (upright) gear (spiral) |
| 50 | 18058 | 1 | Gear cover complete (lower) |
| 51 | 18060 | 1 | Gear cover (lower) sealing screw |
| 52 | 18059 | 1 | Pinch screw for #18058 |
| 53 | 18351 | 1 | Oil plug |
| 54 | 18102 | 1 | Oil wick for #18089 |
| 55 | 11080 | 1 | Oiling felt for #18090 |



CONSEW

LUBRICATION



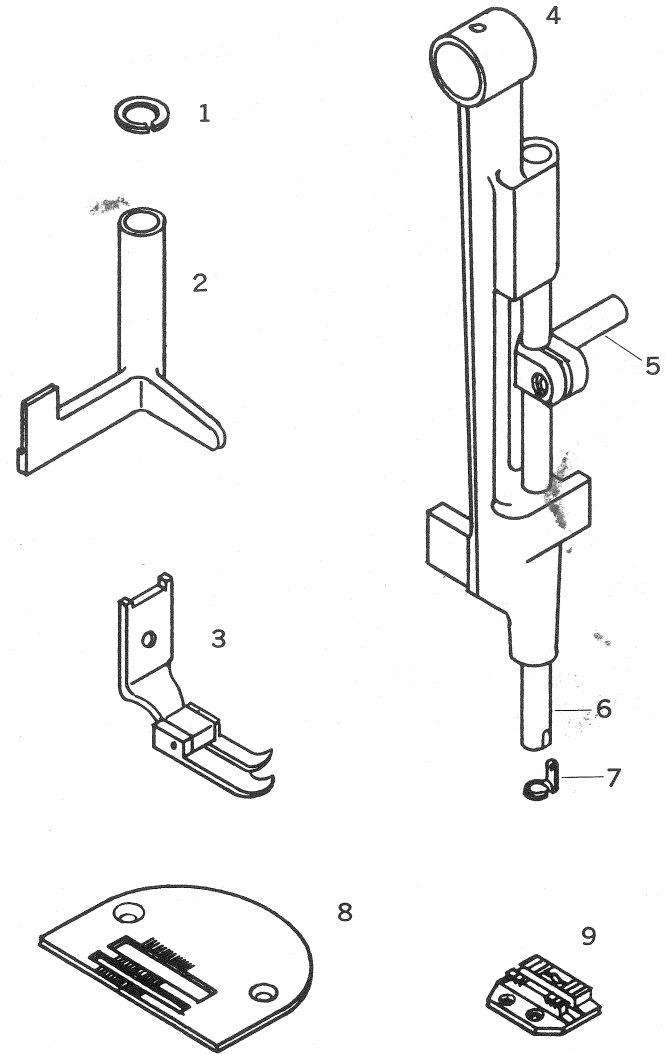
CONSEW

| Fig. No. | Parts No. | Quantity | Name of Parts |
|----------|-----------|----------|------------------------------|
| 1 | 20171 | 1 | Rubber plug (front) |
| 2 | 4124 | 1 | Set screw for # 30022 |
| 3 | 30022 | 1 | Clamp for #18112 |
| 4 | 31206 | 1 | Washer for #4124 |
| 5 | 18112 | 1 | Vinyl pipe (C) |
| 6 | 11069 | 1 | Oiling felt (front) |
| 7 | 18110 | 1 | Oil wick (D) |
| 8 | 20171 | 1 | Rubber plug (middle) |
| 9 | 11069 | 1 | Oiling felt (middle) |
| 10 | 18113 | 1 | Vinyl pipe (D) |
| 11 | 18109 | 1 | Oil wick (C) |
| 12 | 18111 | 1 | Vinyl pipe (B) |
| 13 | 18104 | 1 | Arm shaft oil reservoir felt |
| 14 | 18103 | 1 | Arm shaft oil reservoir |
| 15 | 7041 | 1 | Set screw for #18103 |
| 16 | 20171 | 1 | Rubber plug (rear) |
| 17 | 11069 | 1 | Oiling felt (rear) |

| Fig. No. | Parts No. | Quantity | Name of Parts |
|----------|-----------|----------|-----------------------------|
| 18 | 20067 | 1 | Arm rubber packing |
| 19 | 18108 | 1 | Oil wick (B) |
| 20 | 20171 | 1 | Rubber plug (bed) |
| 21 | 11069 | 2 | Oiling felt (bed) |
| 22 | 18100 | 1 | Vinyl pipe (A) |
| 23 | 18101 | 1 | Oil wick (A) |
| 24 | 18094 | 1 | Oil control valve |
| 25 | 18093 | 1 | Oil control valve plate |
| 26 | 21104 | 1 | Set screw for #18093 |
| 27 | 18095 | 1 | Lock screw for #18094 |
| 28 | 4137 | 1 | Lock nut for #18095 |
| 29 | 18354 | 1 | Bed oil reservoir gasket |
| 30 | 18352 | 1 | Bed oil reservoir plate |
| 31 | 18353 | 1 | Bed oil reservoir indicator |
| 32 | 15007 | 4 | Set screw for #18352 |
| 33 | 18092 | 1 | Oil packing for #18091 |
| 34 | 18091 | 1 | Oil filler plug |



CONSEW

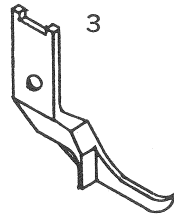
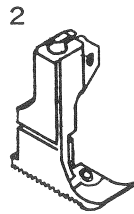
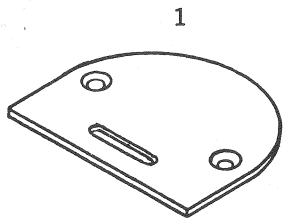


| Fig. No. | P |
|----------|---|
| 1 | |
| 2 | |
| 3 | |
| 4 | |
| 5 | |
| 6 | |
| 7 | |
| 8 | |
| 9 | |

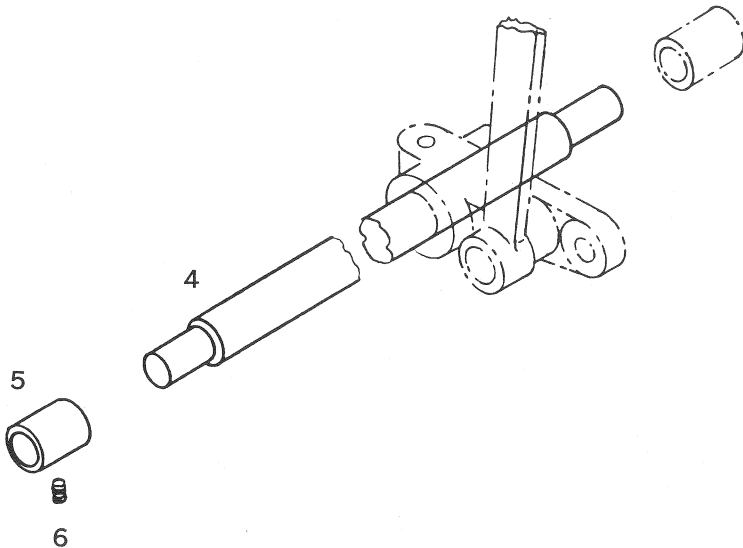


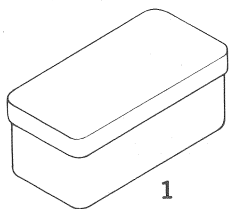
SPECIAL PARTS FOR 208RB-1

19

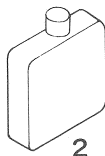


| Fig. No. | Parts No. | Quantity | Name of Parts |
|----------|-----------|----------|---------------------------------|
| 1 | 18029 | 1 | Needle plate |
| 2 | 18202 | 1 | Vibrating presser foot |
| 3 | 18203 | 1 | Lifting presser foot |
| 4 | 18201 | 1 | Feed dog |
| 5 | 18206 | 1 | Feed lifting rock shaft bushing |
| 6 | 8009 | 1 | Set screw for #18206 |





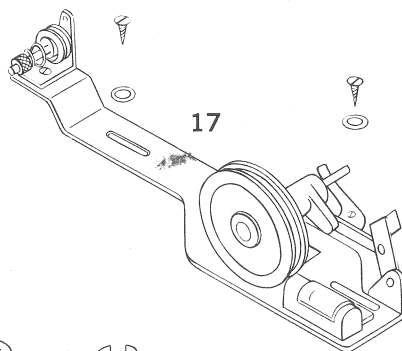
1



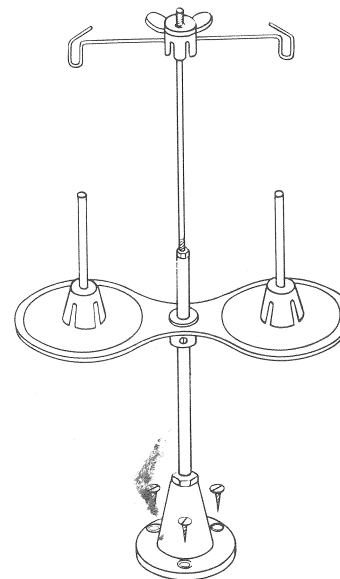
2



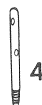
3



17



18



4



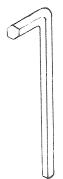
5



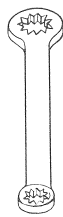
6



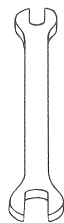
8



7



9



10



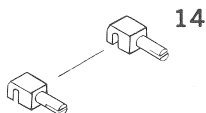
11



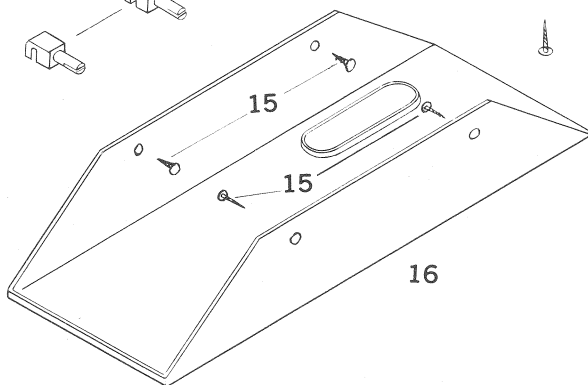
12



13



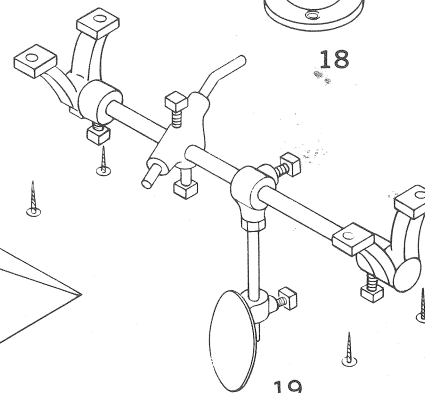
14



15

15

16



19



CONSEW

ACCESSORIES

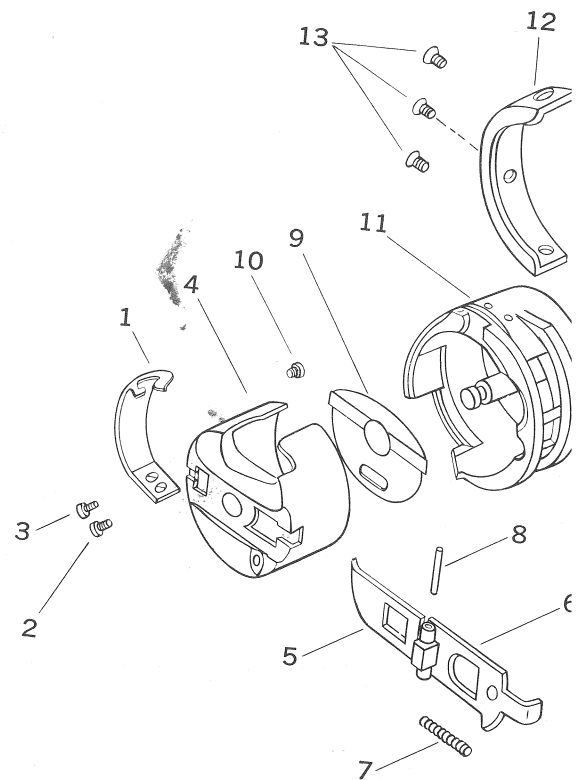
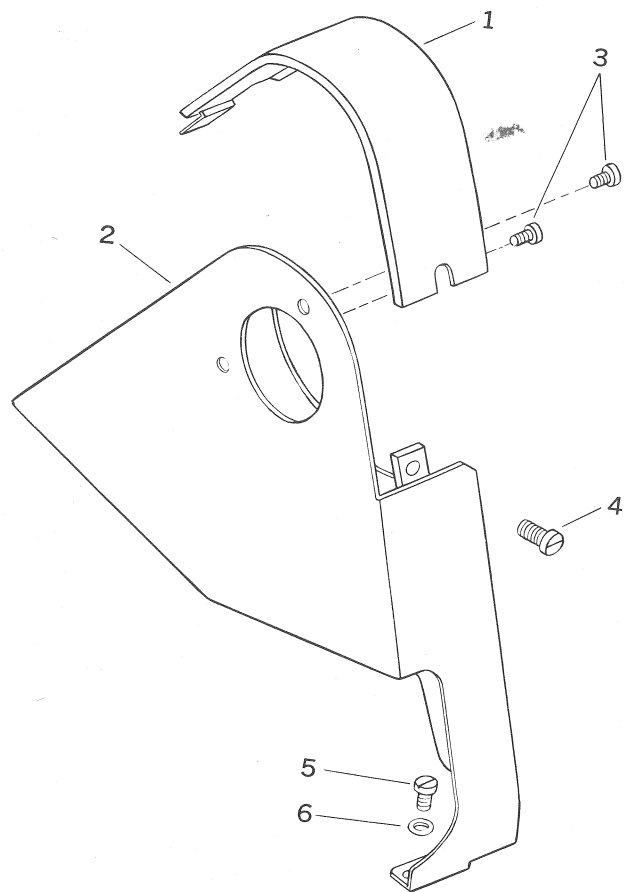
| Fig. No. | Parts No. | Quantity | Name of Parts |
|----------|-----------|----------|------------------------|
| | | | Accessories box |
| 1 | 8132 | 1 | Oil |
| 2 | 8123 | 1 | Oiler |
| 3 | 8125 | 1 | Spool pin |
| 4 | 10709 | 1 | Bobbin |
| 5 | 18034 | 6 | Needle 135 x 17 |
| 6 | 6332 | 3 | Wrench 4.0 mm |
| 7 | 15571 | 1 | Wrench 2.5 mm |
| 8 | 11969 | 1 | Double head wrench |
| 9 | 10748 | 1 | Spanner 6 x 7 mm |
| 10 | 18084 | 1 | Screw driver (large) |
| 11 | 8118 | 1 | Screw driver (middle) |
| 12 | 8120 | 1 | Screw driver (small) |
| 13 | 8121 | 1 | Bed hinge connection |
| 14 | 6051 | 2 | Nail for #6054 |
| 15 | 6055 | 4 | Oil pan |
| 16 | 6054 | 1 | Bobbin winder complete |
| 17 | 10734 | 1 | Thread stand |
| 18 | 35254 | 1 | Knee lifter complete |
| 19 | 18083 | 1 | |



CONSEW

22 BELT GUARD

HOO



CONSEW

BELT GUARD

HOOK

| Fig. No. | Parts No. | Quantity | Name of Parts |
|----------|-----------|----------|------------------------------|
| 1 | 15099 | 1 | Belt guard upper cover |
| 2 | 15098 | 1 | Belt guard |
| 3 | 10650 | 2 | Set screw for #15098 (upper) |
| 4 | 12418 | 1 | Set screw for #15099 |
| 5 | 10650 | 1 | Set screw for #15098 (lower) |
| 6 | 11142 | 1 | Washer for #10650 |

| Fig. No. | Parts No. | Quantity | Name of Parts |
|----------|-----------|----------|--|
| 1 | 18045- 2 | 1 | Thread tension spring |
| 2 | 18045- 4 | 1 | Set screw for #18045-2 |
| 3 | 18045- 3 | 1 | Thread tension spring regulating screw |
| 4 | 18045- 1 | 1 | Bobbin case |
| 5 | 18045- 5 | 1 | Bobbin case pulling plate |
| 6 | 18045- 6 | 1 | Bobbin set plate |
| 7 | 18045- 8 | 1 | Bobbin set plate spring |
| 8 | 18045- 7 | 1 | Pin for #18045-6 |
| 9 | 18045-10 | 1 | Thread releasing protecting spring |
| 10 | 18045- 9 | 1 | Set screw for #18045-5 |
| 11 | 18033- 4 | 1 | Bobbin case base |
| 12 | 18033- 5 | 1 | Hook gib |
| 13 | 18033- 6 | 3 | Set screw for #18033-5 |
| 14 | 18033- 1 | 1 | Rotating hook only |
| 15A | 18033- 7 | 1 | Hook set screw (A) |
| 15B | 18033- 8 | 1 | Hook set screw (B) |
| 16 | 18033- 2 | 1 | Thread guide |
| 17 | 18033- 3 | 3 | Set screw for #18033-2 |



CONSEW



CONSEW



CONSEW

