

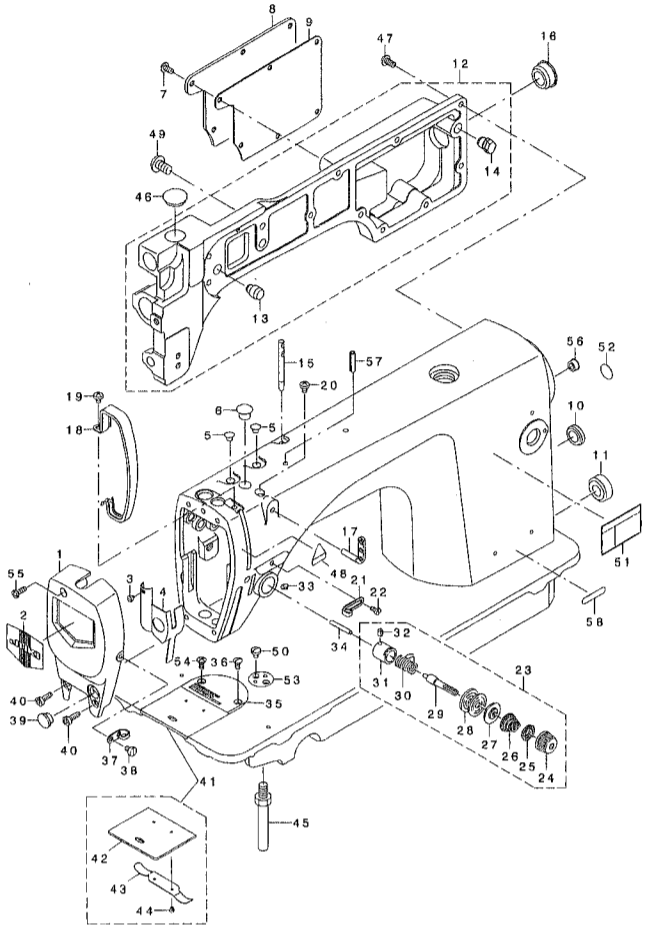
## 1-Needle, Top and Bottom Feed Lockstitch Machine

# DU-1181

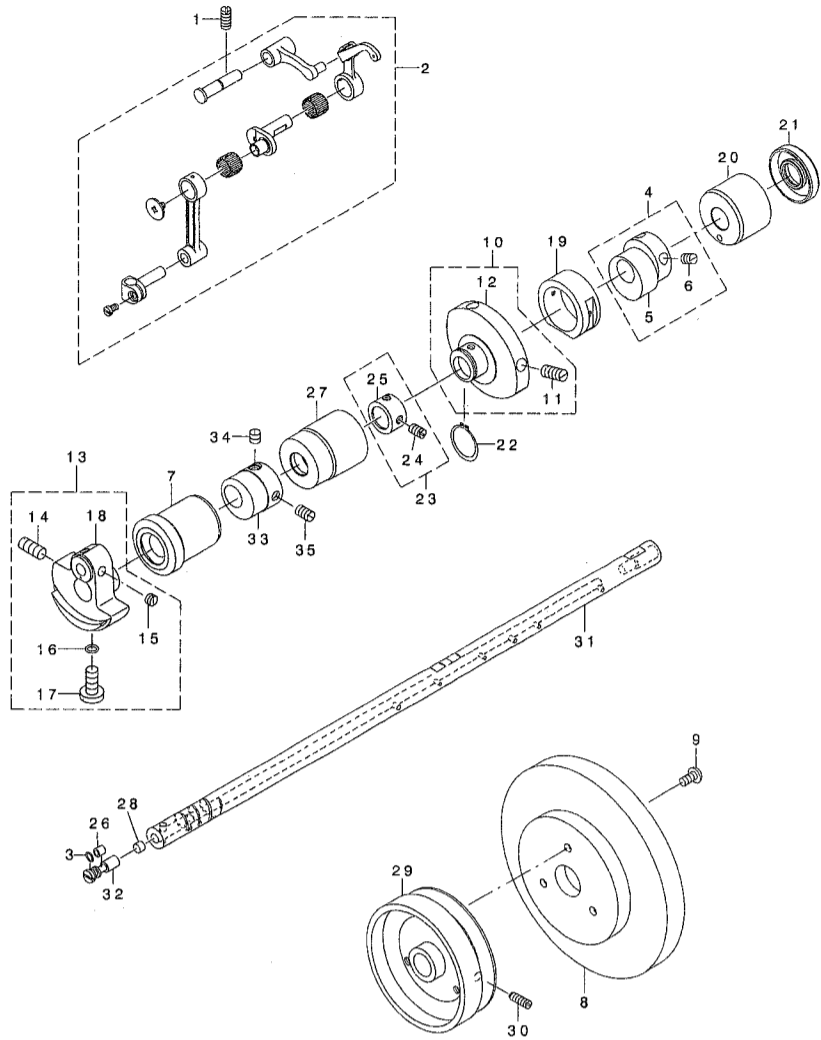
# PARTS LIST

40031634  
No.1423-00

### 1. MACHINE FRAME & MISCELLANEOUS COVER COMPONENTS



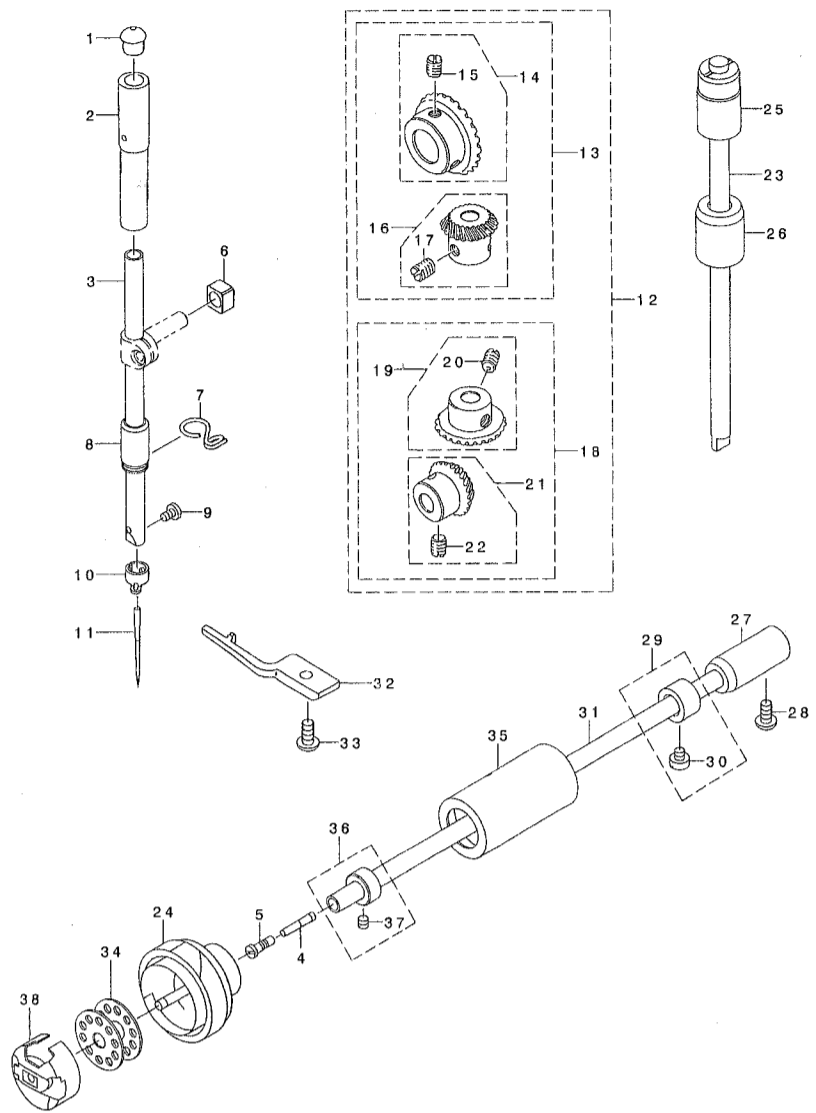
### 2. MAIN SHAFT & THREAD-UP LEVER COMPONENTS



REF.NO	NOTE	PART NO.	DESCRIPTION	Qty.
1		400-22646	FACE PLATE	1
2		229-02506	FACE PLATE	1
3		SS-6080320-SP	SCREW 1/8-44 L= 2.5	1
4		400-21790	FACE PLATE OIL SHIELD ASM.	1
5		TA-0850604-R0	RUBBER PLUG	2
6		TA-1250705-R0	RUBBER PLUG	1
7		SS-4120915-SP	SCREW 3/16-28 L=9	6
8		400-22647	WINDOW PLATE	1
9		400-21567	GASKET	1
10		TA-2000502-R0	RUBBER PLUG	1
11		TA-2101002-R0	RUBBER PLUG	1
12		400-21907	UPPER FEED BASE COMPL.	1
13		400-21592	PIN (A)	(1)
14		400-21593	PIN (B)	(1)
15		229-58300	NEEDLE THREAD GUIDE PIN	1
16		TA-2351004-R0	RUBBER PLUG	1
17		400-23295	THREE ETELET	1
18		114-15205	THREAD TAKE-UP LEVER COVER (JE)	1
19		SS-4120615-SP	SCREW 3/16-28 L=6	1
20		SS-4120615-SP	SCREW 3/16-28 L=6	1
21		236-26104	ARM THREAD GUIDE A	1
22		110-01500	SCREW	1
23		229-62054	THREAD TENSION ASM.	1
24		229-21308	THREAD TENSION NUT	(1)
25		229-21407	ROTATION STOPPER	(1)
26		229-62005	THREAD TENSION SPRING	(1)
27		229-21803	DISK STOPPER	(1)
28		229-21506	THREAD TENSION DISK	(2)
29		229-21209	THREAD TENSION POST	(1)
30		229-21605	THREAD TAKE-UP SPRING	(1)
31		229-45307	THREAD TENSION POST BASE	(1)
32		SS-8090670-SP	SCREW 9/64-40 L= 5.5	(1)
33		SS-8150710-TP	SCREW 15/64-28 L=7	1
34		229-20904	PIN	1
35		400-21615	THROAT PLATE	1
36		SS-2110920-TP	SCREW 11/64-40 L=8.5	1
37		229-20607	ARM THREAD GUIDE B	1
38		SS-6110610-TP	SCREW 11/64-40 L=6	1
39		TA-1250406-R0	RUBBER PLUG D=12.5 L=4	1
40		SS-4120915-SP	SCREW 3/16-28 L=9	2
41		229-01250	SLIDE PLATE ASM.	1
42		229-01201	SLIDE PLATE	(1)
43		229-01300	SLIDE PLATE SPRING	(1)
44		SS-6060210-SP	SCREW 3/32-56 L= 1.9	(2)
45		229-01003	BED SCREW STUD	4
46		TA-2050406-R0	RUBBER PLUG	1
47		SS-4121015-SP	SCREW 3/16-28 L=10	10
48		CM-3002000-01	ATTENTION SEAL	1
49		SS-4701415-SD	SCREW	1
50		SS-7110540-SP	SCREW 11/64-40 L=5	2
51		CM-3002001-A1	SAFETY LABEL., 3 (SMALL).	1
52		229-01805	GROUND MARK	1
53		229-02605	RULER STOP SEAT	1
54		SS-2110915-SP	SCREW 11/64-40 L=8.5	1
55		SS-4112215-SP	SCREW 11/64-40 L=22	1
56		TA-0950806-R0	RUBBER PLUG	1
57		PS-0500202-KP	SPRING PIN 5X20	1
58		229-01508	INDICATION PLATE A	1

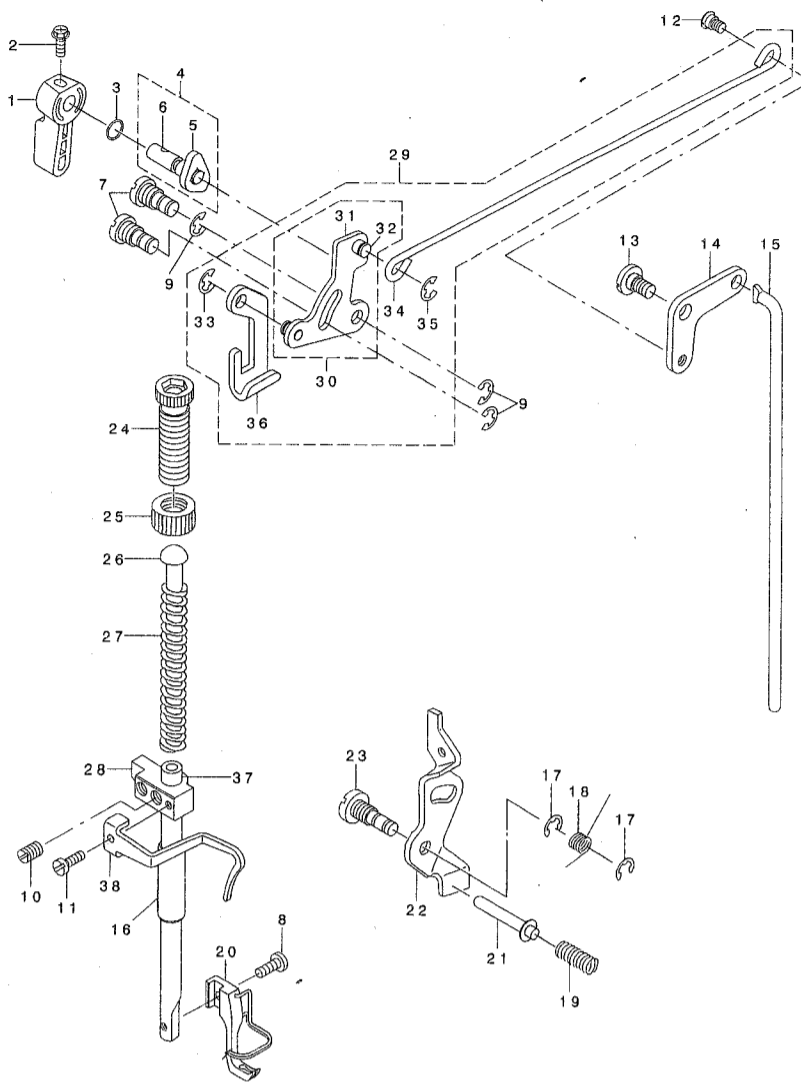
REF.NO	NOTE	PART NO.	DESCRIPTION	Qty
1		SS-8151150-TP	SCREW 15/64-28 L=10.5	1
2		400-21775	THREAD TAKE-UP LEVER ASM.	1
3		RO-0291801-00	RUBBER RING	1
4		400-21773	ECCENTRIC FEED CAM ASM.	1
5		400-21574	ECCENTRIC FEED CAM	(1)
6		SS-8660810-TP	SCREW 1/4-40 L=8	(2)
7		229-03207	MAIN SHAFT BUSHING, FRONT	1
8		400-26457	HAND WHEEL B	1
9		SM-4051055-SP	SCREW	3
10		400-21774	VERTICAL FEED CAM ASM.	1
11		SS-8681650-TP	SCREW 9/32-28 L=16	(2)
12		400-21575	VERTICAL FEED CAM	(1)
13		400-21770	COUNTER WEIGHT ASM.	1
14		SS-8681650-TP	SCREW 9/32-28 L=16	(1)
15		SS-8660410-SP	SCREW 1/4-40 L= 4.2	(2)
16		RO-0442401-00	RUBBER RING	(1)
17		SS-7681650-TP	SCREW 9/32-28 L=16	(1)
18		400-21635	COUNTER WEIGHT	(1)
19		400-24118	PITMAN SLEEVE	1
20		229-03405	MAIN SHAFT BUSHING, REAR	1
21		110-02508	OIL SEAL	1
22		RC-1850001-KP	SNAP RING 18.5	1
23		229-04155	MAIN SHAFT THRUST COLLAR ASM.	1
24		SS-8660610-TP	SCREW 1/4-40 L=6	(2)
25		229-04106	MAIN SHAFT THRUST COLLAR	(1)
26		B1215-552-000	OIL ADJUSTING COLLAR	1
27		229-03306	BUSHING, INTERMEDIATE	1
28		110-02904	ROLLER FELT	1
29		400-26456	HAND WHEEL A	1
30		SS-8151550-SP	SCREW 15/64-28 L=15	2
31		229-03009	MAIN SHAFT	1
32		229-03900	ADJUSTING PIN	1
33		400-23031	FEED DRIVE ECCENTRIC CAM	1
34		SS-8660610-TP	SCREW 1/4-40 L=6	1
35		SS-8661030-SP	SCREW 1/4-40 L=10	1

3. NEEDLE BAR, UPRIGHT SHAFT  
& HOOK DRIVING SHAFT COMPONENTS



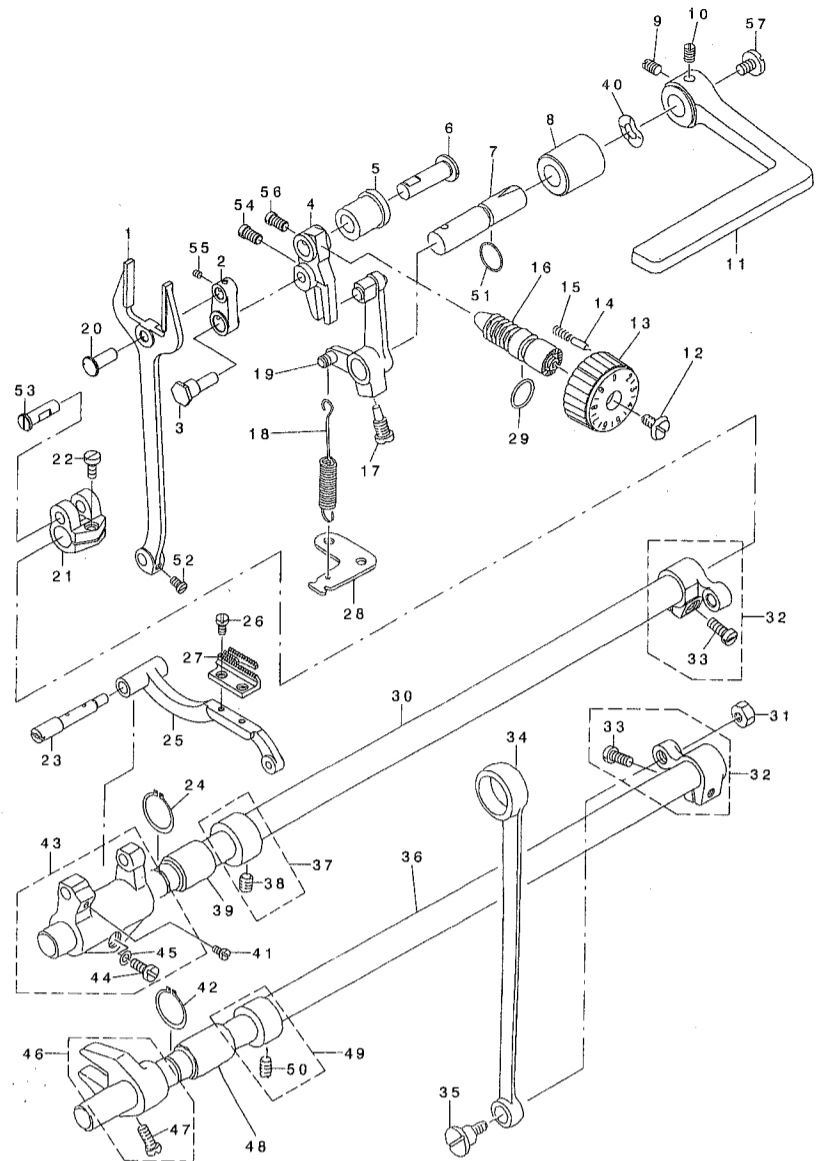
REF. NO	NOTE	PART NO.	DESCRIPTION	Qty
1		229-01409	NEEDLE BAR UPPER BUSH CAP	1
2		229-06101	NEEDLE BAR BUSHING, UPPER	1
3		400-23030	NEEDLE BAR	1
4		114-04704	OIL WICK	1
5		229-16506	SET SCREW	1
6		B1414-555-000	SLIDE BLOCK	1
7		400-23223	NEEDLE BAR THREAD GUIDE	1
8		400-21604	NEEDLE BAR BUSHING, LOWER	1
9		SS-7080510-TP	SCREW 1/8-44 L=4.5	1
10		400-24124	NEEDLE BAR THREAD GUIDE	1
11		MDP-170B2100	NEEDLE DPX17 #21	1
12		B1307-155-000	GEAR & PINION ASM.	1
13		B1306-155-000	PINION	(1)
14		B1305-012-000	GEAR	(1)
15		SS-8660810-TP	SCREW 1/4-40 L=8	(2)
16		B1306-155-000	PINION	(1)
17		SS-8660810-TP	SCREW 1/4-40 L=8	(2)
18		B1307-155-000	MITRE GEAR LARGE	(1)
19		B1307-155-000	MITRE GEAR LARGE	(1)
20		SS-8660810-TP	SCREW 1/4-40 L=8	(2)
21		B1308-155-000	MITRE GEAR SMALL	(1)
22		SS-8660810-TP	SCREW 1/4-40 L=8	(2)
23		400-21612	UPRIGHT SHAFT	1
24		400-21608	HOOK ASM.	1
25		229-05103	UPRIGHT SHAFT BUSHING, UPPER	1
26		229-05202	UPRIGHT SHAFT BUSHING, LOWER	1
27		229-16308	HOOK DRIVING SHAFT BUSH, REAR	1
28		SS-4120915-SP	SCREW 3/16-28 L=9	1
29		229-17157	THRUST COLLAR ASM., REAR	1
30		SS-6110420-TP	SCREW 11/64-40 L=4.8	(2)
31		114-03300	HOOK DRIVING SHAFT	1
32		400-21622	BOBBIN CASE POSITIONING FINGER	1
33		SS-4110915-TP	SCREW 11/64-40 L=9	1
34		400-21610	BOBBIN	1
35		400-21613	HOOK DRIVING SHAFT BUSH, FRONT	1
36		229-17058	THRUST COLLAR ASM., FRONT	1
37		SS-8110410-TP	SCREW 11/64-40 L= 3.5	(2)
38		400-21609	BOBBIN CASE ASM.	1

4. HAND LIFTER COMPONENTS



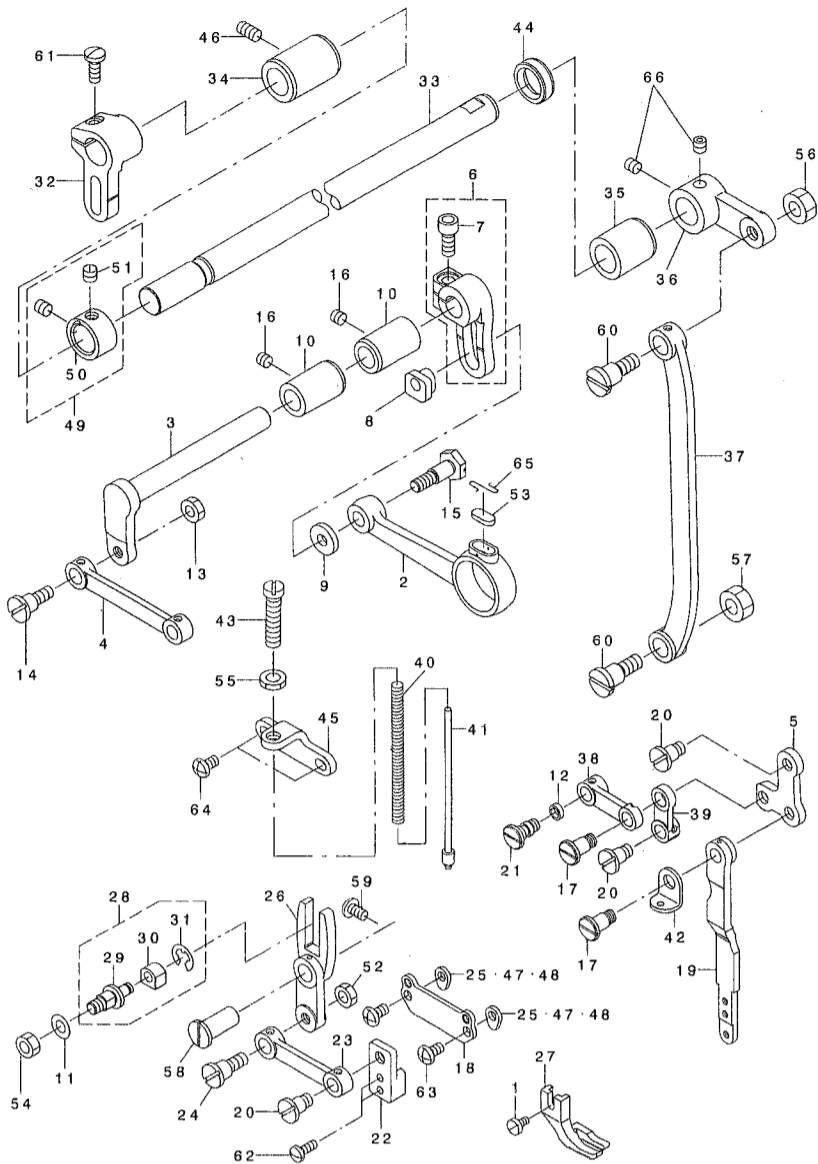
REF. NO	NOTE	PART NO.	DESCRIPTION	Qty
1		229-07802	HAND LIFTER	1
2		B1521-555-000	SCREW	1
3		RO-0371801-00	RUBBER RING	1
4		400-21570	HAND LIFTER CAM ASM.	1
5		229-08503	HAND LIFTER CAM	(1)
6		229-08602	HAND LIFTER CAM SHAFT	(1)
7		110-06509	LINK SHAFT	1
8		SS-7091110-TP	SCREW 9/64-40 L=10.5	1
9		RE-0500000-KO	E-RING	3
10		SS-8660810-TP	SCREW 1/4-40 L=8	1
11		SS-6090910-SP	SCREW 9/64-40 L=9	2
12		229-08909	HINGE SCREW	1
13		SD-0720331-SP	HINGE SCREW D= 7.24 H= 3.3	1
14		229-08800	KNEE LIFTER LINK	1
15		229-09006	KNEE LIFTER CONNECTING ROD	1
16		B1510-155-000	PRESSER BAR LOWER BUSHING	1
17		RE-0500000-KO	E-RING	2
18		229-20201	RETURN SPRING	1
19		229-20409	THREAD RELEASE PIN SPRING	1
20		400-21791	PRESSER FOOT ASM.	1
21		229-20300	THREAD RELEASE SUPPORTING PIN	1
22		229-20003	THREAD RELEASE PLATE	1
23		110-18108	TENSION RELEASE SHAFT	1
24		229-07505	PRESSER SPRING REGULATOR	1
25		229-07604	PRESSER SPRING REGULATOR NUT	1
26		229-07703	PRESSER GUIDE BAR	1
27		400-21617	PRESSER SPRING	1
28		400-21568	PRESSER BAR GUIDE BRACKET	1
29		400-24122	KNEE LIFTING CROSS ROD ASM.	1
30		400-24132	LIFTING LINK ASM.	(1)
31		229-08107	LIFTING LINK	(1)
32		229-08206	LIFTING LINK PIN	(2)
33		RE-0500000-KO	E-RING	(1)
34		229-08305	KNEE LIFTING CROSS ROD	(1)
35		RE-0500000-KO	E-RING	(1)
36		400-23246	LIFTING PLATE	(1)
37		400-17805	PRESSER BAR	1
38		400-21597	THREAD GUIDE	1

5. FEED MECHANISM COMPONENTS



REF. NO	NOTE	PART NO.	DESCRIPTION	Qty
1		400-24130	PITMAN	1
2		400-26195	PITMAN LINK	1
3		400-24119	WALKING FOOT PIN	1
4		400-24117	FEED REGULATOR	1
5		229-11705	FEED REGULATOR BUSHING	1
6		400-26519	FEED REGULATOR SHAFT	1
7		400-27561	FEED REVERSE SHAFT	1
8		229-12802	FEED LEVER SHAFT BUSHING	1
9		SM-8061050-TP	SCREW	1
10		SM-8061010-TP	SCREW	1
11		229-12703	FEED LEVER	1
12		SS-6121860-SP	SCREW 3/16-28 L=18	1
13		400-21571	FEED DIAL	1
14		229-12000	FEED REGULATOR PIN	1
15		229-12109	FEED REGULATOR PIN SPRING	1
16		229-11804	FEED REGULATOR SCREW	1
17		229-12505	FEED REVERSE ARM SCREW	1
18		400-24121	LEVER RETURN SPRING	1
19		110-50655	LEVER CRANK ASM.	1
20		400-26194	HINGE PIN	1
21		400-24308	FEED ROCK SHAFT CRANK	1
22		SS-6121210-SP	SCREW 3/16-28 L=12	1
23		229-40803	FEED BAR SHAFT	1
24		RC-0150001-KP	RETAINING RING 13.8	1
25		400-21772	FEED BASE	1
26		SS-4080620-TP	SCREW 1/8-44 L=6	2
27		400-21621	FEED DOG	1
28		229-13701	FEED SPRING HOOK	1
29		RO-0922702-00	RUBBER RING	1
30		229-12901	FEED ROCKER SHAFT	1
31		NS-6680410-SP	NUT 9/32-28	1
32		229-15151	FEED ARM COMPL.	2
33		SS-6121210-SP	SCREW 3/16-28 L=12	(1)
34		229-15003	CONNECTING ROD	1
35		SD-1000801-SH	HINGE SCREW D=10 H=8	1
36		229-15201	FEED DRIVING SHAFT	1
37		229-04155	MAIN SHAFT THRUST COLLAR ASM.	1
38		SS-8660610-TP	SCREW 1/4-40 L=6	(2)
39		229-13008	FEED ROCKER SHAFT BUSHING	1
40		WZ-1250300-KO	WAVED WASHER 12.5X17X0.3	1
41		SS-6121210-SP	SCREW 3/16-28 L=12	1
42		RC-0150001-KP	RETAINING RING 13.8	1
43		229-40654	FEED ROCKER ASM.	1
44		SS-7121410-TP	SCREW 3/16-28 L=14	(1)
45		WP-0480856-SP	WASHER 4.8X8.4X0.8	(1)
46		229-15359	DRIVING SHAFT CRANK ASM.	1
47		SS-6121210-SP	SCREW 3/16-28 L=12	(1)
48		229-13008	FEED ROCKER SHAFT BUSHING	1
49		229-04155	MAIN SHAFT THRUST COLLAR ASM.	1
50		SS-8660610-TP	SCREW 1/4-40 L=6	(2)
51		RO-0781901-00	RUBBER RING	1
52		SS-7120910-TP	SCREW 3/16-28 L=9	1
53		400-26520	FEED ROCKER SHAFT CRANK PIN	1
54		229-72806	FEED ECCENTRIC CAM SETSCREW	1
55		SS-8110410-TP	SCREW 11/64-40 L= 3.5	1
56		229-72806	FEED ECCENTRIC CAM SETSCREW	1
57		SS-7620750-SP	SCREW 3/16-32 L= 6.5	1

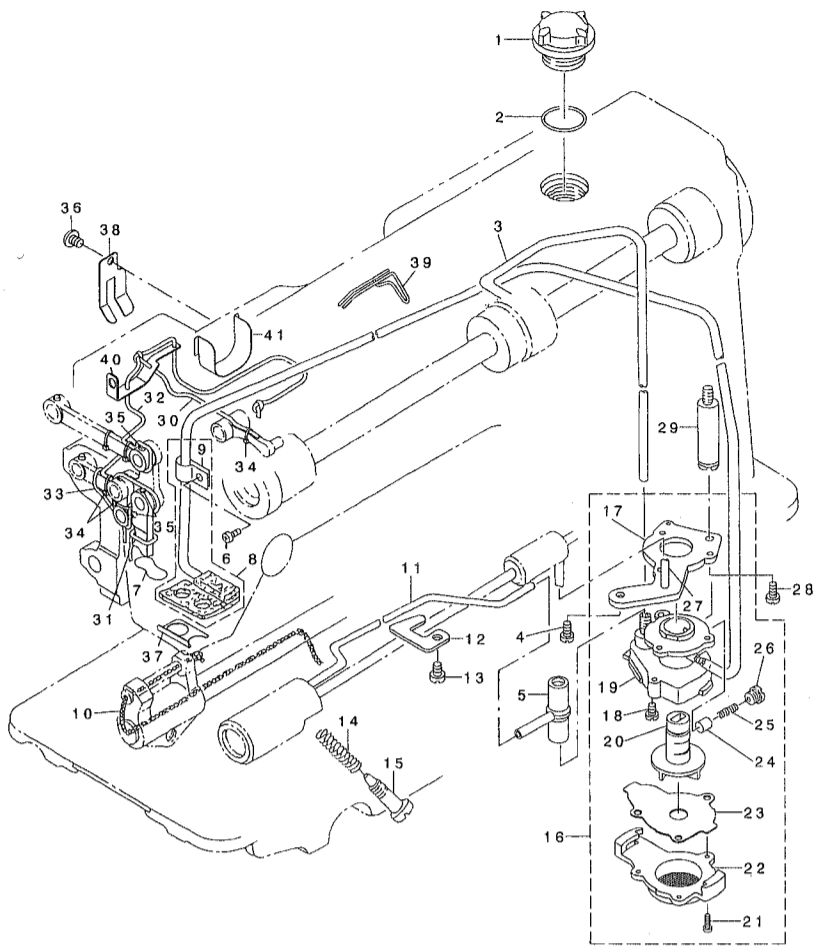
## 6. UPPER FEED MECHANISM COMPONENTS



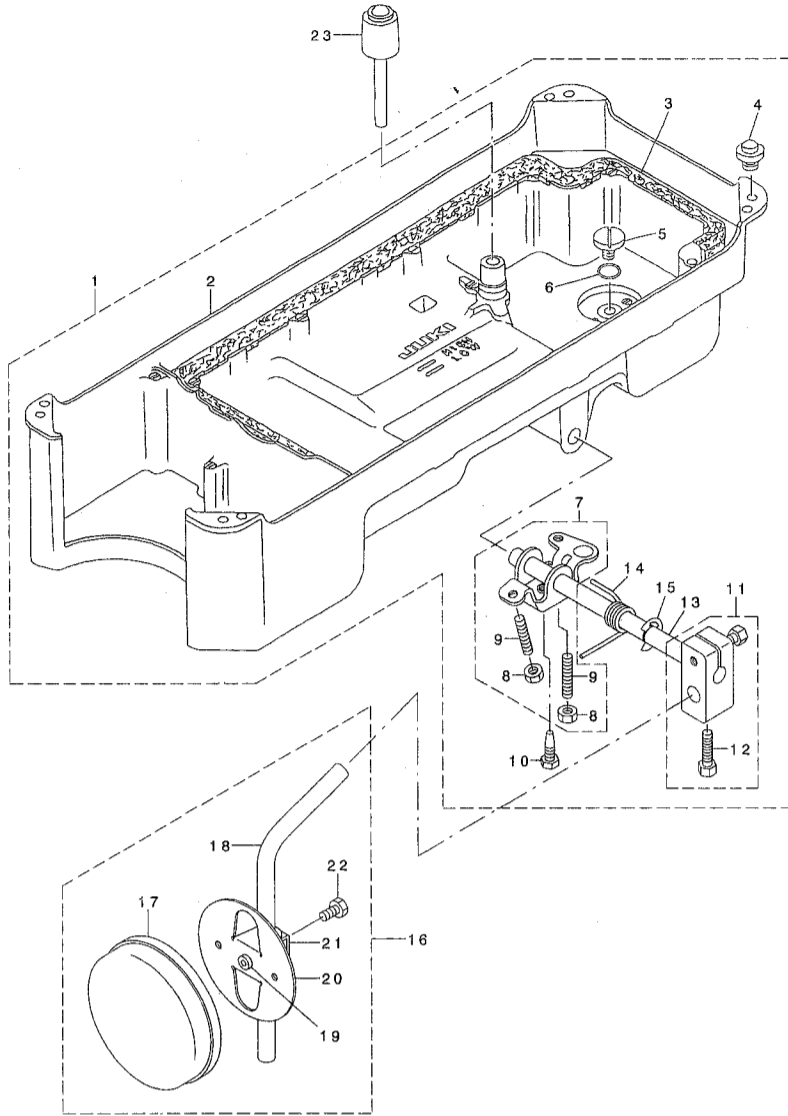
REF.NO	NOTE	PART NO.	DESCRIPTION	Qty
1		SS-7090610-SP	SCREW 9/64-40 L=6	1
2		400-21576	CRANK CONNECTING ROD	1
3		400-22003	UPPER FEED DRIVING SHAFT	1
4		400-21578	CONNECTING LINK	1
5		400-21623	L-SHAPED LINK	1
6		400-21782	UPPER FEED SPRING ROD	1
7		SS-6151412-TP	SCREW 15/64-28 L=14	(1)
8		B3009-141-H0A	NUT	1
9		B3010-141-H00	WASHER	1
10		400-21625	BUSHING	2
11		WP-0650876-SD	WASHER 6.5X13X0.8	1
12		400-27810	FELT	0.02
13		NS-6150310-SP	NUT 15/64-28	1
14		SD-0850751-SP	HINGE SCREW D= 8.50 H= 7.5	1
15		400-21579	HINGE SCREW	1
16		SS-8150510-TP	SCREW 1/4-40 L=6	2
17		B3016-141-H00	HINGE SCREW, B	2
18		400-21581	WALKING BAR DRIVING LINK	1
19		400-22000	L-SHAPED ROD	1
20		B3015-141-H00	HINGE SCREW	3
21		400-27512	HINGE SCREW	1
22		400-21582	CONNECTING LINK HOLDER	1
23		400-21577	CONNECTING LINK	1
24		SD-0850751-SP	HINGE SCREW D= 8.50 H= 7.5	1
25	#01	400-29415	WASHER (C)	2
26		400-21627	SLIDE FORK	1
27		400-22772	PRESSURE FOOT	1
28		400-21787	SLIDE BLOCK ASM.	1
29		400-21788	SLIDE BLOCK PIN	(1)
30		B1414-012-000	NEEDLE BAR SLIDE BLOCK	(1)
31		RE-0400000-K0	E-RING 4	(1)
32		400-21583	CONNECTING ARM	1
33		400-21584	UPPER FEED DRIVING SHAFT	1
34		400-21585	BUSHING, FRONT	1
35		400-21938	BUSHING, REAR	1
36		B3029-141-H00	DRIVING SHAFT ROD	1
37		400-21587	DRIVING ROD	1
38		400-21594	L-SHAPED LINK (A)	1
39		400-21595	L-SHAPED LINK (B)	1
40		400-21628	SPRING	1
41		400-21588	SPRING POLE	1
42		400-21629	RETAINING PLATE	1
43		400-23033	ADJUSTING THUMB SCREW	1
44		228-88002	OIL SEAL	1
45		400-21590	SPRING BAR	1
46		SS-8151150-TP	SCREW 15/64-28 L=10.5	1
47	#01	400-29413	WASHER (A)	2
48	#01	400-29414	WASHER (B)	2
49		229-04155	MAIN SHAFT THRUST COLLAR ASM.	1
50		CS-1471212-SH	THRUST COLLAR D=14.72 W=12	(1)
51		SS-8660610-TP	SCREW 1/4-40 L=6	(2)
52		NS-6150310-SP	NUT 15/64-28	1
53		400-25574	FELT	1
54		NS-6160520-SP	NUT 1/4-24	1
55		NS-6680320-SP	NUT 9/32-28	1
56		NS-6680410-SP	NUT 9/32-28	1
57		NS-6680320-SP	NUT 9/32-28	1
58		400-21630	HINGE PIN	1
59		SS-4120915-SP	SCREW 3/16-28 L=9	1
60		SD-1020961-SP	HINGE SCREW D=10.2 H=9.6	2
61		SS-7121410-TP	SCREW 3/16-28 L=14	1
62		SS-7091110-SP	SCREW 9/64-40 L=10.5	2
63		SS-4120915-SP	SCREW 3/16-28 L=9	2
64		SS-4120915-SP	SCREW 3/16-28 L=9	2
65		B1213-012-000	FELT RETAINER	1
66		SS-8660612-TP	SCREW 1/4-40 L=6	2

Note #01...SELECTIVE PARTS

7. OIL LUBRICATION COMPONENTS



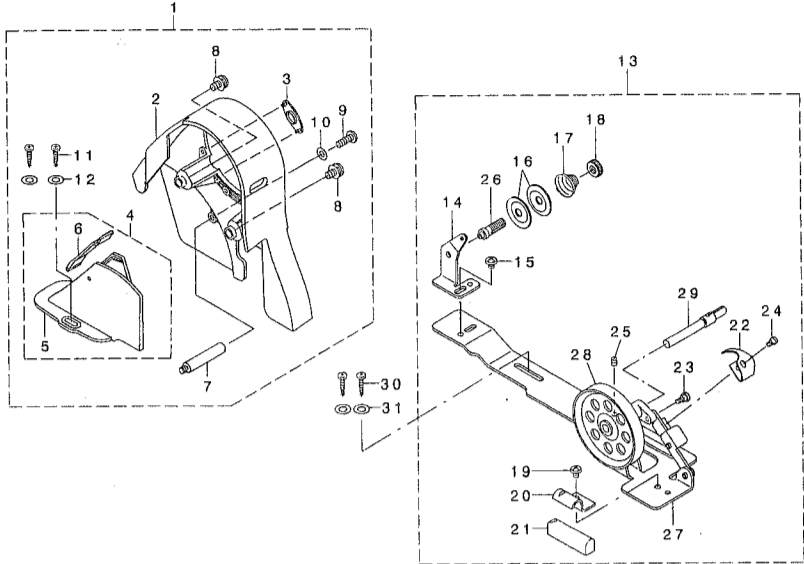
8. OIL RESERVOIR COMPONENTS



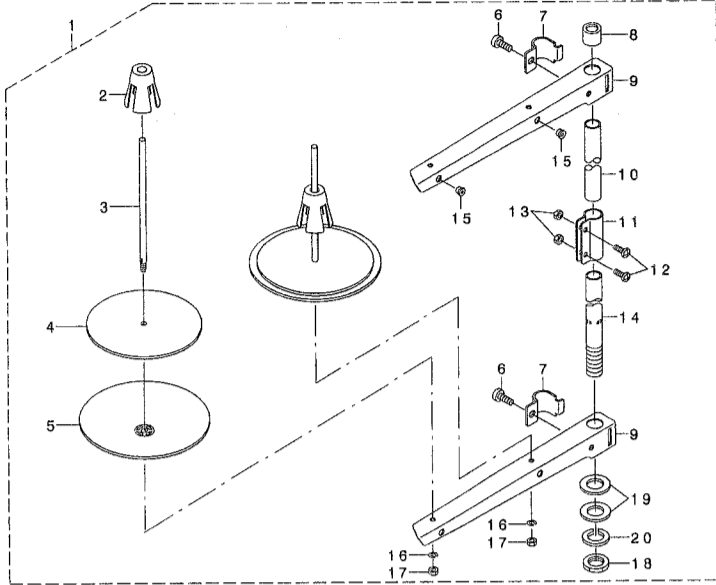
REF.NO	NOTE	PART NO.	DESCRIPTION	Qty
1		229-24708	OIL SIGHT WINDOW	1
2		RO-1952401-00	RUBBER RING	1
3		229-24401	MAIN SHAFT OIL TUBE	1
4		SS-4150915-SP	SCREW 15/64-28 L=9	1
5		229-24609	RUBBER JOINT	1
6		SS-4120615-SP	SCREW 3/16-28 L=6	1
7		229-25101	OIL FELT PRESSER	1
8		229-24153	RETURN PIPE ASM.	1
9		229-24302	RETURN PIPE HOLDER	(1)
10		CQ-2020000-00	OIL WICK	0.3
11		229-24500	HOOK OIL TUBE	1
12		229-24807	PIPE HOLDER, LOWER	1
13		SS-4150915-SP	SCREW 15/64-28 L=9	1
14		229-24906	OIL REGULATOR SCREW SPRING	1
15		229-25002	OIL REGULATOR SCREW	1
16		114-04555	LUBRICATING OIL PUMP ASM.	1
17		229-23304	PUMP BODY INSTALLING PLATE	(1)
18		SL-4030851-SF	SCREW M3 L=8	(3)
19		229-23007	PUMP BODY	(1)
20		229-23700	IMPELLER	(1)
21		SE-4301041-SR	SCREW D=3 L=10	(3)
22		229-23205	PUMP BODY COVER	(1)
23		229-23809	PUMP BODY SUPPORT PLATE	(1)
24		229-23403	PLUNGER	(1)
25		229-23601	PLUNGER SPRING	(1)
26		229-23502	PLUNGER SCREW	(1)
27		229-23908	HOOK DRIVING SHAFT OILING PIPE	(1)
28		SS-6111010-TP	SCREW 11/64-40 L= 9.5	1
29		229-24005	PUMP BODY STRUT	1
30		CQ-2020000-00	OIL WICK	0.1
31		CQ-2000000-00	OIL WICK	0.1
32		CQ-2020000-00	OIL WICK	0.75
33		CQ-2020000-00	OIL WICK	0.1
34		EA-9500800-00	CLIP CV-70S	5
35		CQ-3000000-F0	OIL FELT	0.01
36		SS-4120615-SP	SCREW 3/16-28 L=6	1
37		400-21999	FACE PLATE OIL SHIELD (B)	1
38		400-25328	OIL SHIELD (C)	1
39		400-27938	HOLDER	1
40		400-30403	OIL WICK SUPPORT	1
41		400-30402	OIL SHIELD (D)	1

REF.NO	NOTE	PART NO.	DESCRIPTION	Qty
1		400-29416	OIL RESERVOIR ASM.	1
2		229-31802	OIL RESERVOIR	(1)
3		229-31901	OIL RESERVOIR GASKET	(1)
4		229-32008	RUBBER CUSHION	(4)
5		SS-6700710-SH	SCREW 5/16-24 L=7	(1)
6		RO-0982401-00	RUBBER RING	(1)
7		229-32156	KNEE LIFTER ROTATION ARM ASM.	(1)
8		NM-6060001-SE	NUT M6	(2)
9		SM-8063012-TR	SCREW M6 L=30	(2)
10		SM-9061853-SR	SCREW M6 L=17.5	(1)
11		229-32453	BRACKET ASM.	(1)
12		229-34707	SCREW	(2)
13		229-32305	KNEE PRESS CROSS SHAFT	(1)
14		229-32206	SPRING	(1)
15		RE-1000000-K0	E-RING 10	(1)
16		229-34251	KNEE PAD PLATE ASM.	1
17		229-34509	KNEE PAD PLATE COVER	(1)
18		229-34608	KNEE PAD UPRIGHT SHAFT	(1)
19		229-34400	KNEE PAD PLATE RUBBER	(1)
20		229-34202	KNEE PAD PLATE	(1)
21		229-34301	KNEE PAD PLATE SUPPORT	(1)
22		SM-9061203-SE	SCREW M6 L=12	(1)
23		229-31703	KNEE LIFTER PUSH ROD	1

9. BELT COVER & BOBBIN COMPONENTS



10. THREAD STAND COMPONENTS



REF.NO	NOTE	PART NO.	DESCRIPTION	Qty
1		229-33451	BELT COVER ASM.	1
2		229-33402	BELT COVER A	(1)
3		229-33501	BELT COVER A CAP	(1)
4		229-33659	BELT COVER B COMPL.	(1)
5		229-33600	BELT COVER B	(1)
6		229-33758	BELT COVER B LID ASM.	(1)
7		229-33907	BELT COVER STRUT	(1)
8		229-34004	SET SCREW	(2)
9		SS-4121415-SP	SCREW 3/16-28 L=14	(1)
10		WP-0501016-SD	WASHER 5X10.5X1	(1)
11		SK-3412000-SC	WOOD SCREW D=4.1 L=20	(2)
12		WP-0450826-SC	WASHER 4.5X10X0.8	(2)
13		114-15866	BOBBIN WINDER COMPL.	1
14		229-28501	THREAD TENSION POST BASE	(1)
15		SS-4110515-SP	SCREW 11/64-40 L=5	(1)
16		229-28907	THREAD TENSION DISK	(2)
17		229-29004	THREAD TENSION SPRING	(1)
18		229-28808	NUT	(1)
19		SS-4110515-SP	SCREW 11/64-40 L=5	(1)
20		229-28402	CONTROL RUBBER HOLDING PLATE	(1)
21		229-28303	CONTROL RUBBER	(1)
22		114-15908	POSITIONING FINGER	(1)
23		SD-0490261-SP	HINGE SCREW D=4.9 H=2.6	(1)
24		SS-7081310-SP	SCREW 1/8-44 L=12.5	(1)
25		SS-8110510-SP	SCREW 11/64-40 L=5	(1)
26		229-28709	THREAD TENSION POST	(1)
27		229-27305	BOBBIN WINDER BASE	(1)
28		229-27404	BOBBIN WINDER	(1)
29		229-27602	BOBBIN WINDER SPINDLE	(1)
30		SK-3412000-SC	WOOD SCREW D=4.1 L=20	2
31		WP-0450826-SC	WASHER 4.5X10X0.8	2

REF.NO	NOTE	PART NO.	DESCRIPTION	Qty
1		229-30358	THREAD STAND ASM.	1
2		229-31109	SPOOL RETAINER	(2)
3		229-31000	SPOOL PIN	(2)
4		229-30903	SPOOL REST CUSHION	(2)
5		229-30804	SPOOL REST	(2)
6		SM-6061610-SC	SCREW M6 L=16	(2)
7		229-30705	THREAD GUIDE ARM JOINT	(2)
8		229-31406	SPOOL REST ROD RUBBER CAP	(1)
9		229-30507	SPOOL REST ARM	(2)
10		229-30408	SPOOL REST ROD, UPPER	(1)
11		229-31307	SPOOL REST ROD JOINT	(1)
12		SM-4051405-SE	SCREW M5 L=14	(2)
13		NM-6050001-SE	NUT M5	(2)
14		229-30309	SPOOL REST ROD, LOWER	(1)
15		229-31208	THREAD GUIDE	(2)
16		WS-0510002-KN	SPRING WASHER	(2)
17		NM-6050001-SE	NUT M5	(2)
18		NM-6160511-SE	NUT M16X1.5	(1)
19		WP-1612616-SE	WASHER 16X30X2.6	(2)
20		WS-1643202-KR	SPRING WASHER	(1)