

PFAFF

-926/06

Supplement to the instruction
manual and parts list for the
series 1050, 1180

Reprinting, copying or translation of PFAFF instruction manuals, whether in whole or in part, is not permitted without our prior permission and not without written indication of the source.

PFAFF Industrie Maschinen AG

Postfach 3020

D-67653 Kaiserslautern

Königstr. 154

D-67655 Kaiserslautern

Editing/illustrations

HAAS-Publikationen GmbH

D-53840 Troisdorf

	Contents	Chapter - Page
1	Safety	1 - 1
1.01	Regulations	1 - 1
1.02	General notes on safety	1 - 1
1.03	Safety symbols	1 - 2
 2	 Bedienungselemente	 2 - 1
2.01	Spulenfadenrestanzeige	2 - 1
2.02	Pedal	2 - 1
 3	 Preparation	 3 - 1
3.01	Winding the bobbin thread, adjusting the thread tension	3 - 1
3.02	Inserting the bobbin case / Adjusting the bobbin thread tension	3 - 2
 4	 Sewing	 4 - 1
4.01	Sewing with bobbin thread monitoring	4 - 1
4.02	Sewing with remaining bobbin thread count	4 - 2
 5	 Adjustment	 5 - 1
5.01	Notes on adjustment	5 - 1
5.02	Function control and adjustment of the bobbin thread monitor	5 - 1
5.03	Parameter settings	5 - 3
5.03.01	Selecting and altering parameters	5 - 3
5.03.02	Selecting the user level	5 - 4
5.03.03	List of parameters	5 - 5
 6	 Parts list	 6 - 1

1 Safety

1.01 Regulations

This machine is constructed in accordance with the European regulations indicated in the conformity and manufacturer's declarations.

In addition to this instruction manual, please also observe all generally accepted, statutory and other legal requirements, including those of the user's country, and the applicable pollution control regulations!

The valid regulations of the regional social insurance society for occupational accidents or other supervisory authorities are to be strictly adhered to!

1.02 General notes on safety

- The machine must only be operated by adequately trained operators and only when the instruction manual has been fully read and understood!
- All notices on safety and the instruction manual of the motor manufacturer are to be read before the machine is put into operation!
- All notes on the machine concerning danger and safety must be observed!
- The machine must be used for the purpose for which it is intended and must not be operated without its safety devices; all regulations relevant to safety must be adhered to.
- When part sets are changed (e.g. needle, presser foot, needle plate, feed dog or bob-bin), during threading, when the workplace is left unattended and during maintenance work, the machine must be isolated from the power supply by turning off the on/off switch or removing the plug from the mains!
- Daily maintenance work must only be carried out by appropriately trained persons!
- Repairs and special maintenance work must only be carried out by qualified technical staff or persons with appropriate training!
- During maintenance or repairs on the pneumatic system the machine must be isolated from the compressed air supply! The only exception to this is when adjustments or function checks are carried out by appropriately trained technical staff!
- Work on the electrical equipment must only be carried out by technical staff who are qualified to do so!
- Work on parts or equipment connected to the power supply is not permitted! The only exceptions to this are specified in regulations EN 50110.
- Conversion or modification of the machine must only be carried out under observation of all relevant safety regulations!

- Only spare parts which have been approved by us are to be used for repairs! We draw special attention to the fact that spare parts and accessories not supplied by us have not been subjected to testing nor approval by us. Fitting and/or use of any such parts may cause negative changes to the design characteristics of the machine. We shall not accept any liability for damage caused by the use of non-original parts.

1.03 Safety symbols



Danger!
Special points to observe.



Danger of injury to operating or technical staff!

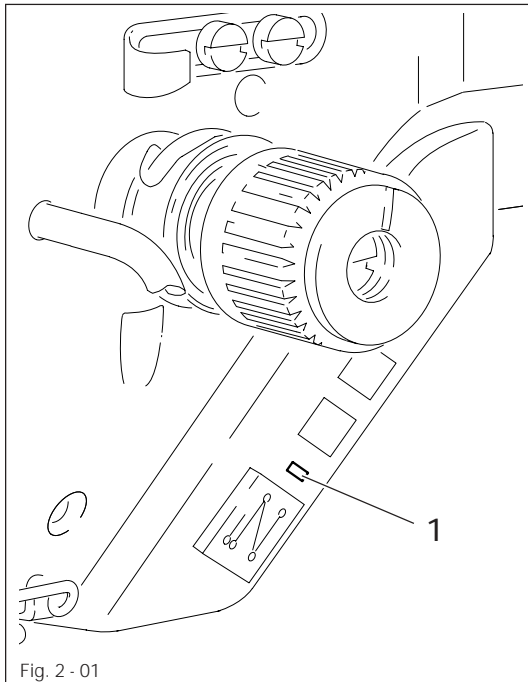


Caution

Do not operate without finger guard and safety devices. Before threading, changing bobbin and needle, cleaning etc. **switch off main switch.**

2 Control elements

2.01 Control device for remaining bobbin thread



Bobbin thread monitor

- When the use of the last amount of the remaining thread supply begins, the LED 1 starts flashing.
- When the remaining thread supply has been used up, the LED 1 lights up permanently until the bobbin has been changed.

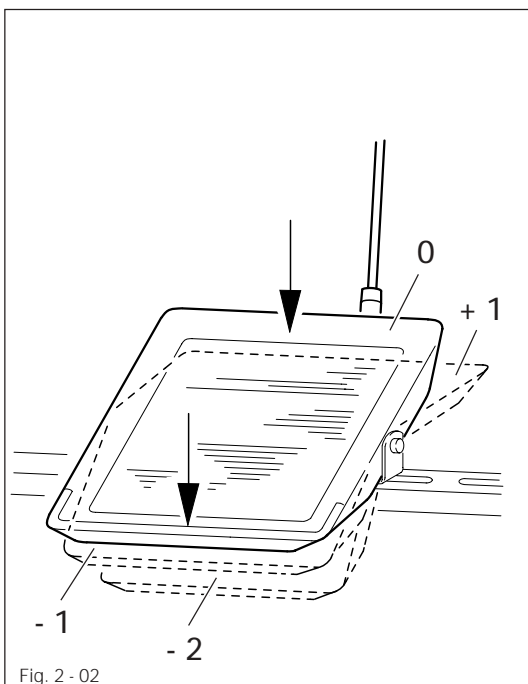
Bobbin thread counter

- When the thread counter reaches its end, the LED 1 starts flashing.
- If sewing continues without the bobbin being changed, the LED 1 remains on permanently until the bobbin is changed.



To select thread monitoring or thread counting see **Chapter 5.03 Parameter settings**.

2.02 Pedal



0 = Neutral position

1 = Sewing

2 = Raise presser foot

3 = Trim sewing threads / reset bobbin thread monitor or bobbin thread counter

3 Preparation

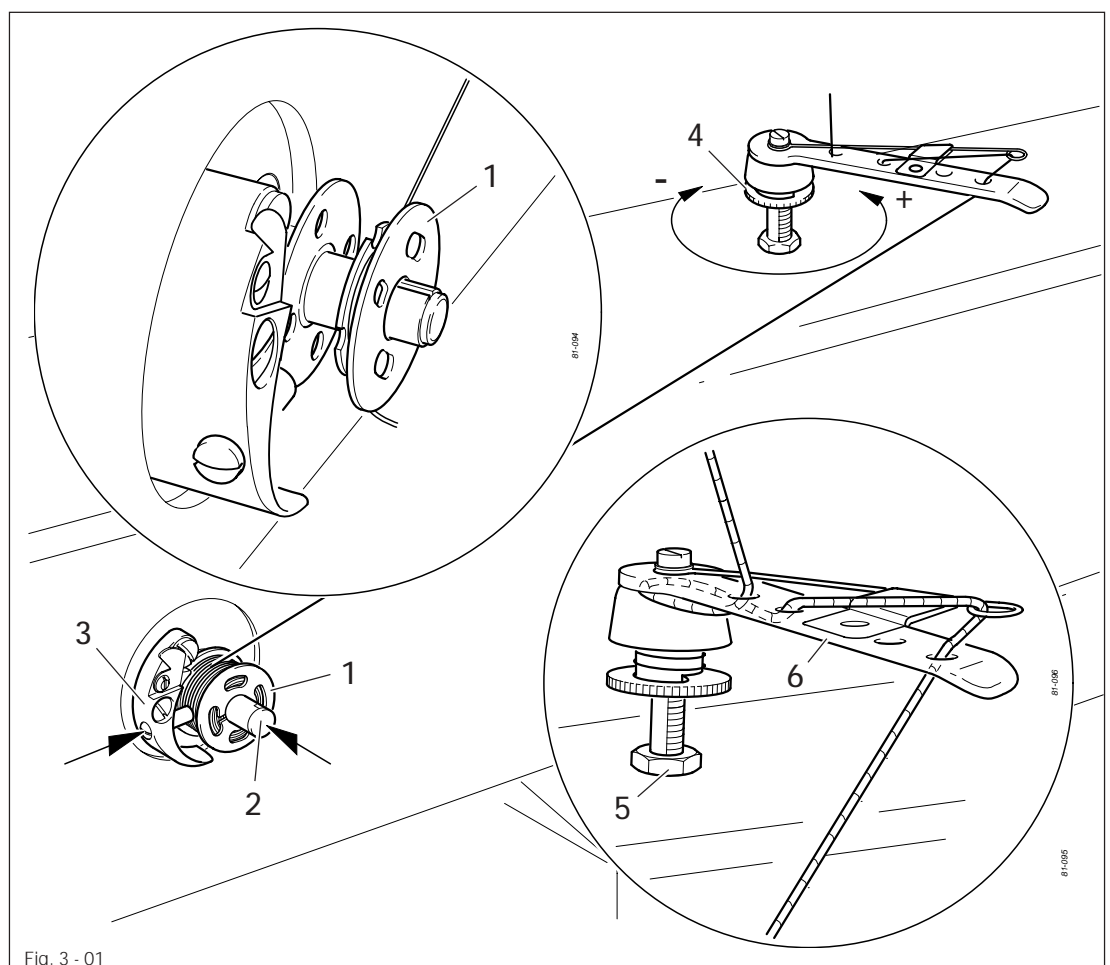


All regulations and instructions in this Instruction Manual are to be observed!
Special attention is to be paid to the safety regulations!



All preparation work is only to be carried out by appropriately trained personnel.
Before all preparation work, the machine is to be separated from the electricity supply by removing the plug from the mains or switching off the On/Off switch!

3.01 Winding the bobbin thread, adjusting the thread tension



- Fit empty bobbin 1 onto bobbin winder spindle 2 with the rest thread chamber on the outside.
- Thread the thread as shown in the above illustration and wind it round the bobbin 1 a few times in an anti-clockwise direction.
- Switch on the bobbin winder by pressing bobbin winder spindle 2 and lever 3 simultaneously.



The bobbin fills up during sewing.



If the machine is only run for bobbin winding (without sewing), a hook base must be fitted in the hook.

Otherwise a jammed thread may damage the hook!

- The tension of the thread on bobbin 1 can be adjusted with knurled screw 4.
- The bobbin winder stops automatically when bobbin 1 is full.

If the thread is wound unevenly:

- Loosen nut 5.
- Turn thread guide 6 accordingly.
- Tighten nut 5..

3.02 Inserting the bobbin case / Adjusting the bobbin thread tension

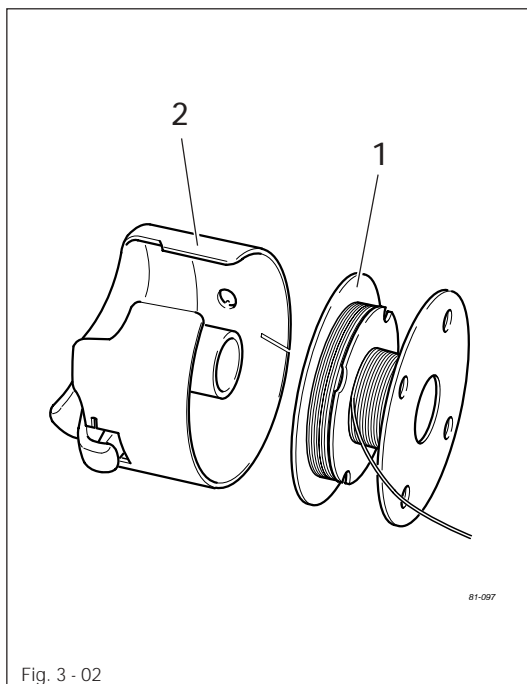


Fig. 3 - 02

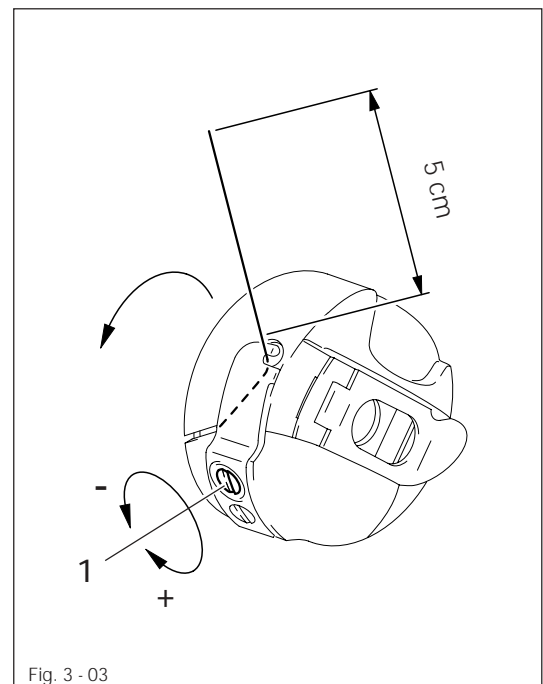


Fig. 3 - 03

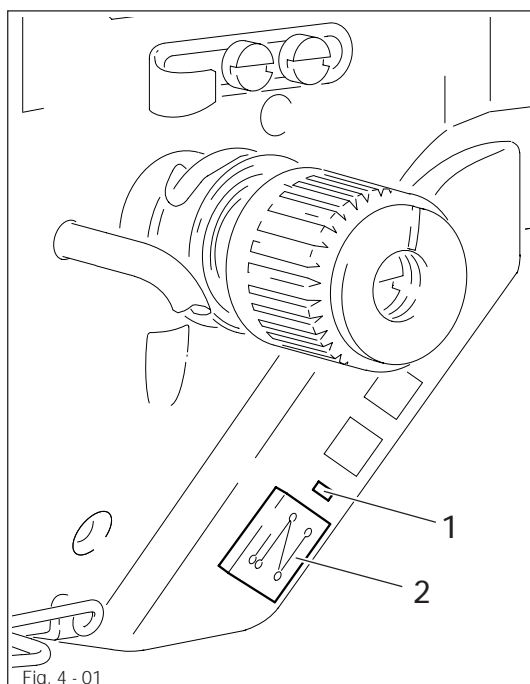
- Insert bobbin 1 into the bobbin case 2 as shown in Fig. 3-02.
- Place the bobbin in the bobbin case.
- Pass the thread through the slot under the spring as shown in Fig. 3-03. When the thread is drawn off, the bobbin must turn in the direction shown by the arrows.
- Adjust the thread tension by turning screw 1.

4 Sewing

4.01 Sewing with bobbin thread monitoring



The bobbin thread monitoring function is activated, when parameter "660" is set at value "1". The number of stitches remaining after the bobbin thread monitor has reacted is entered under parameter "760". More information about the parameter setting is contained in **Chapter 5.03 Parameter settings**.



- If the bobbin thread monitor recognises during sewing that the remaining amount of thread has been started, LED 1 starts flashing. Sewing can be continued without changing the bobbin, and from this point on the pre-set number of remaining stitches are counted.
- If the number of remaining stitches after recognition of the bobbin thread monitor have been sewn, the machine stops automatically with the needle lowered and LED 1 remains lit up permanently.
- Set the pedal at its neutral position (pedal position "0").
- Complete the seam (pedal position "+1").
- Carry out the thread trimming function (pedal position "-2").
- The bobbin thread monitor is reset.
- Change the bobbin.



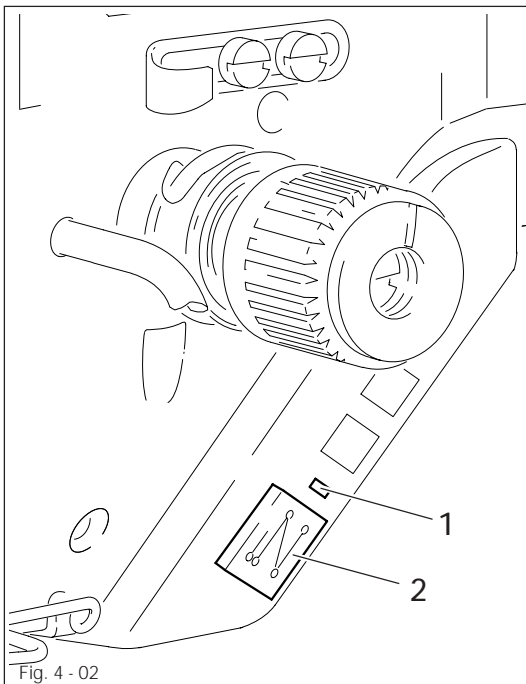
The bobbin thread monitor can be reset at any time by pressing key 2 and at the same time operating the pedal in position "-2".

4.02

Sewing with remaining bobbin thread count



The remaining bobbin thread count function is activated, when parameter "660" is set at value "2". The total number of stitches for the bobbin is entered under parameter "760". More information about the parameter setting is contained in Chapter 5.03 Parameter settings.



- If the total number of stitches have been sewn, the machine stops automatically with the needle lowered and LED 1 flashes.
- If sewing is continued without a bobbin change, LED 1 remains lit up permanently.
- Set the pedal at its neutral position (pedal position "0").
- Complete the seam (pedal position "+1").
- Carry out the thread trimming function (pedal position "-2").
The bobbin thread monitor is reset.
- Change the bobbin.



The bobbin thread monitor can be reset at any time by pressing key 2 and at the same time operating the pedal in position "-2".

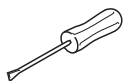
5 Adjustment

5.01 Notes on adjustment

All adjustments in this instruction manual apply to a completely assembled machine and may only be carried out by suitably trained staff.

Machines covers which are removed for control and adjustment work and then set back in place again are not mentioned in the text.

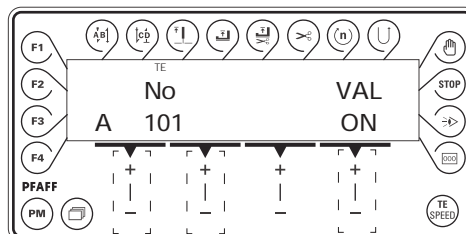
5.02 Function control and adjustment of the bobbin thread monitor



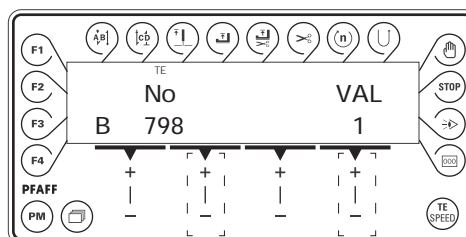
Requirement

The value of parameter "382" should correspond to the average value of the top and bottom threshold value of the thread monitor.

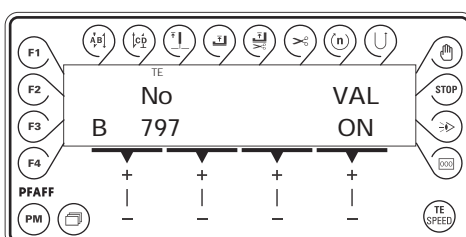
- Insert a full bobbin in the bobbin case and place the bobbin case in the hook.
- Switch on the machine.
- Press the TE/Speed key to call up the parameter input function.



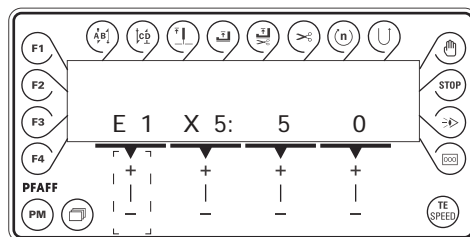
- No / VAL ● By pressing the corresponding +/- keys, set parameter "798" at value "1" (selecting the mechanic level).



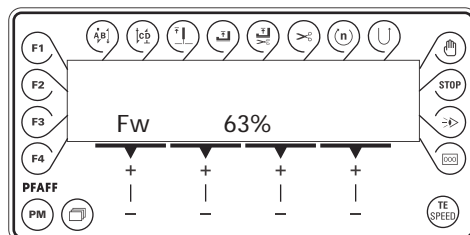
- No / VAL ● By pressing the corresponding +/- keys, set parameter "797" at "ON" (displaying the inputs).



Adjustment



- By pressing the corresponding +/- keys, select sub-menu "Fw" (thread monitor menu).



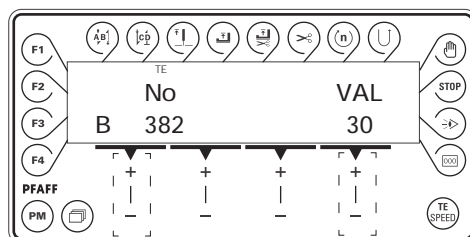
- Draw the bobbin thread by hand and note the top or bottom threshold value (e.g. 63% or 3% => average value: 30%)



- Press the TE/Speed key to call up the parameter input function.

No / VAL

- By pressing the corresponding +/- keys, select parameter "382" and enter the corresponding average value (e.g. "30").



- Press the TE/Speed key to conclude the parameter input function.
- Switch off the machine.

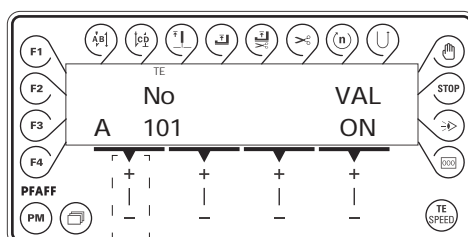
5.03 Parameter settings

5.03.01 Selecting and altering parameters

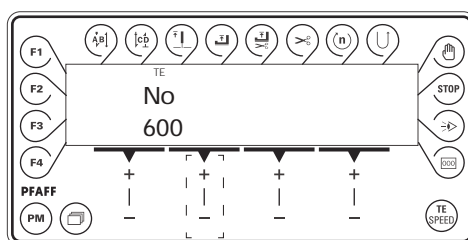
- Switch on the machine.



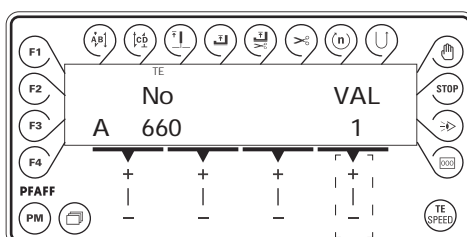
- Press the TE/Speed key to call up the parameter input function.



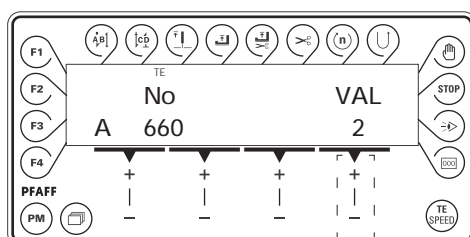
- No** ● By pressing the corresponding +/- keys, select the desired parameter group, e.g. "600".



- No** ● By pressing the corresponding +/- keys, select the desired parameter, e.g. "660" for the bobbin thread monitoring function.



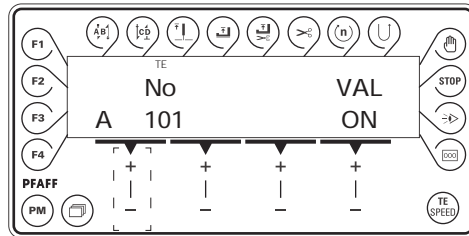
- VAL** ● By pressing the corresponding +/- keys, set the desired value for the selected parameter, e.g. "2" for the "bobbin rest thread counter on" function.



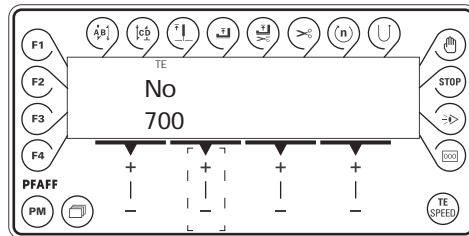
- By pressing the TE/Speed key the value is taken over and the machine changes to the sewing mode.

5.03.02 Selecting the user level

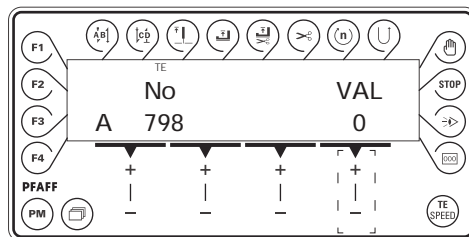
- Switch on the machine.
- Press the **TE/Speed** key to call up the parameter input function.



- No** ● By pressing the corresponding +/- keys, select the parameter group "700".



- No** ● By pressing the corresponding +/- keys, select parameter "798".



- VAL** ● By pressing the corresponding +/- keys, select the desired user level:
- "0" = operator level **A**
 - "1" = mechanic level **B**
 - "11" = service level **C**



- By pressing the **TE/Speed** key the value is taken over and the machine changes to the sewing mode.

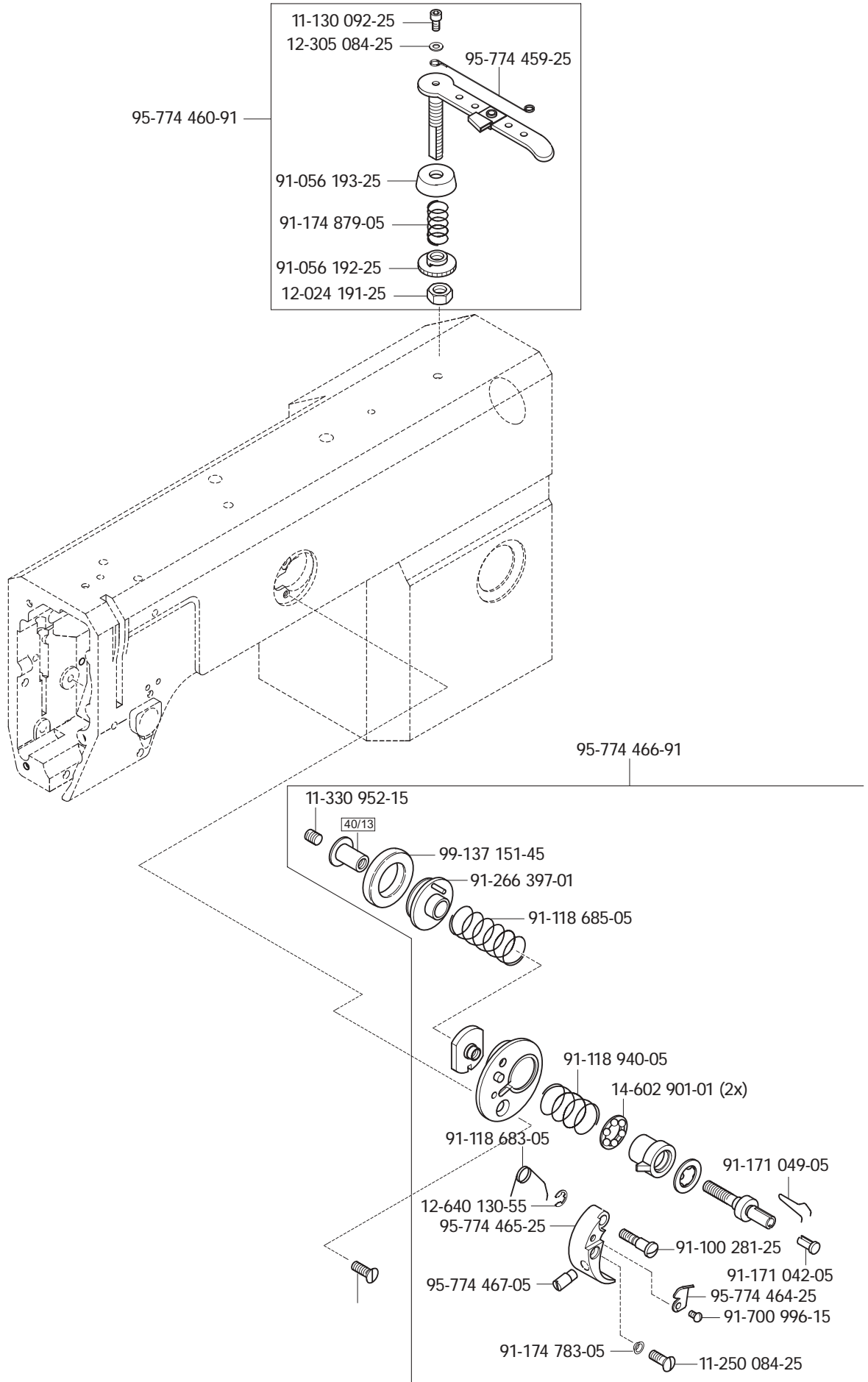
5.03.03 List of parameters

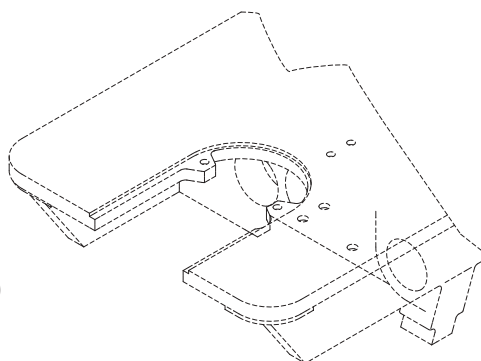
Group	Parameter	Description	Access level	Adjustment range	Standard value
3	382	Average value for switching threshold bobbin thread monitor	B	0 – 100	15
6	660	Bobbin thread monitor 0 = off 1 = bobbin thread monitor on 2 = bobbin thread reverse counter on	A	0 – 2	0
7	760	Number of stitches for remaining thread after reaction of bobbin thread monitor (for bobbin thread monitoring) No. of stitches (x 200) (for remaining bobbin thread count)	A	0 – 250	5
	797	Hardware test	C	ON-OFF	OFF
	798	User level 0 = operator level A 1 = mechanic level B 11 = service level C	A	0 – 255	0



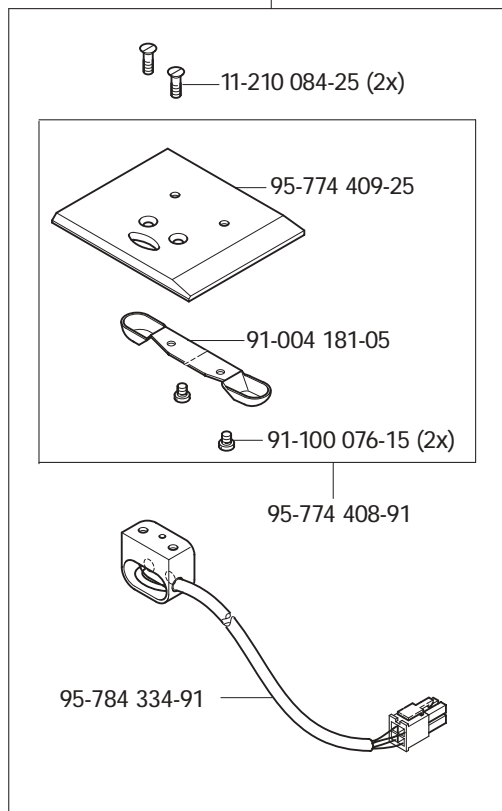
The standard values listed in the table are basic settings. When required, deviations are possible.

Parts list

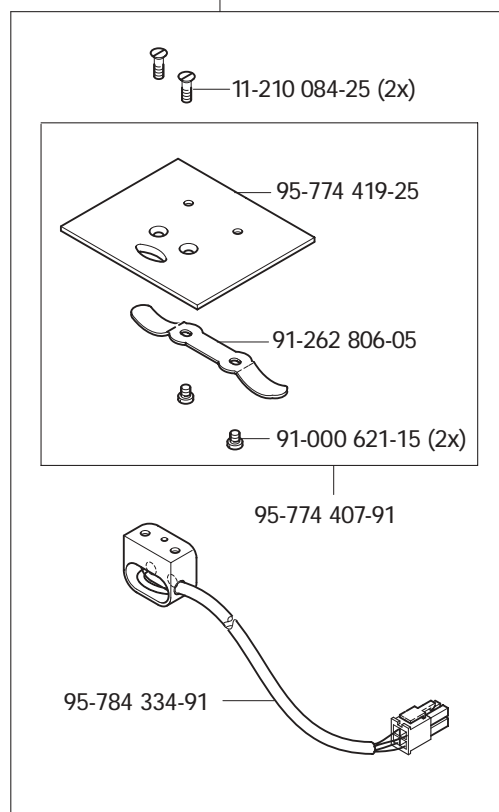




95-774 525-91 (PFAFF 1051;1181)



95-774 524-91 (PFAFF 1053;1183)



95-774 361-05



PFAFF

PFAFF Industrie Maschinen AG

Postfach 3020
D-67653 Kaiserslautern

Königstr. 154
D-67655 Kaiserslautern

Telefon: (0631) 200-0
Telefax: (0631) 17202
E-Mail: info@pfaff-industrial.com

Gedruckt in der BRD
Printed in Germany
Imprimé en R.F.A.
Impreso en la R.F.A.