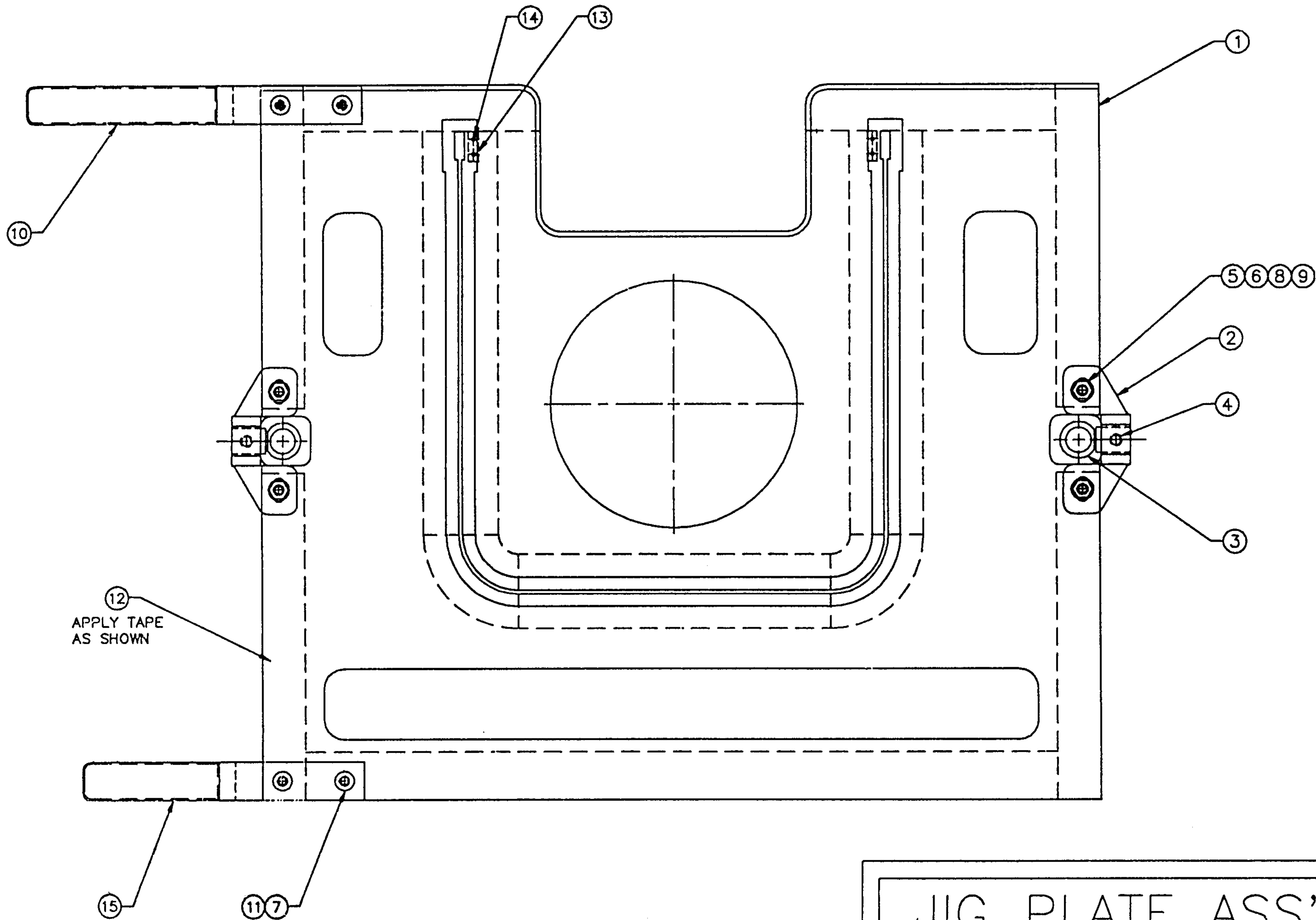


# Pocket conversions



JIG PLATE ASS'Y  
 (SINGLE STITCH POCKETS)

JIG PLATE ASSEMBLY  
SINGLE STITCH

ITEM	PART NUMBER	DESCRIPTION	QTY	ITEM	PART NUMBER	DESCRIPTION	QTY
0	9-200	Style Pattern	1				
1	9-200	Jig Plate	1				
2	9-2000021	Bearing	2				
3	9-2000023	Ball Joint Socket, Mod.	2				
4	8040020636	Scr, Hx-Soc.Set, Fl. Pt. M5 x 6mm	2				
5	8040020638	Scr, Hx-Soc. Fl. Hd. M4 x 16mm	4				
6	8040040088	Washer, Flat M4	4				
7	8040040087	Washer, Belleville Spring, M4	4				
8	8040040091	Washer, Split Lock, M4	4				
9	8040010115	Nut, Hex M4 x 0.7	4				
10	9-2000022	Actuator	1				
11	8040020648	Scr, Hx-Soc. Butt Hd., M4 x 6mm	4				
12	8010360736	Tape	7				
13	8060090015	Knurled Plate	2				
14	8040030060	Pin	4				
15	9-2000496	Actuator Bottom	1				
16	9-2004744	Assy, Butterfly	2				

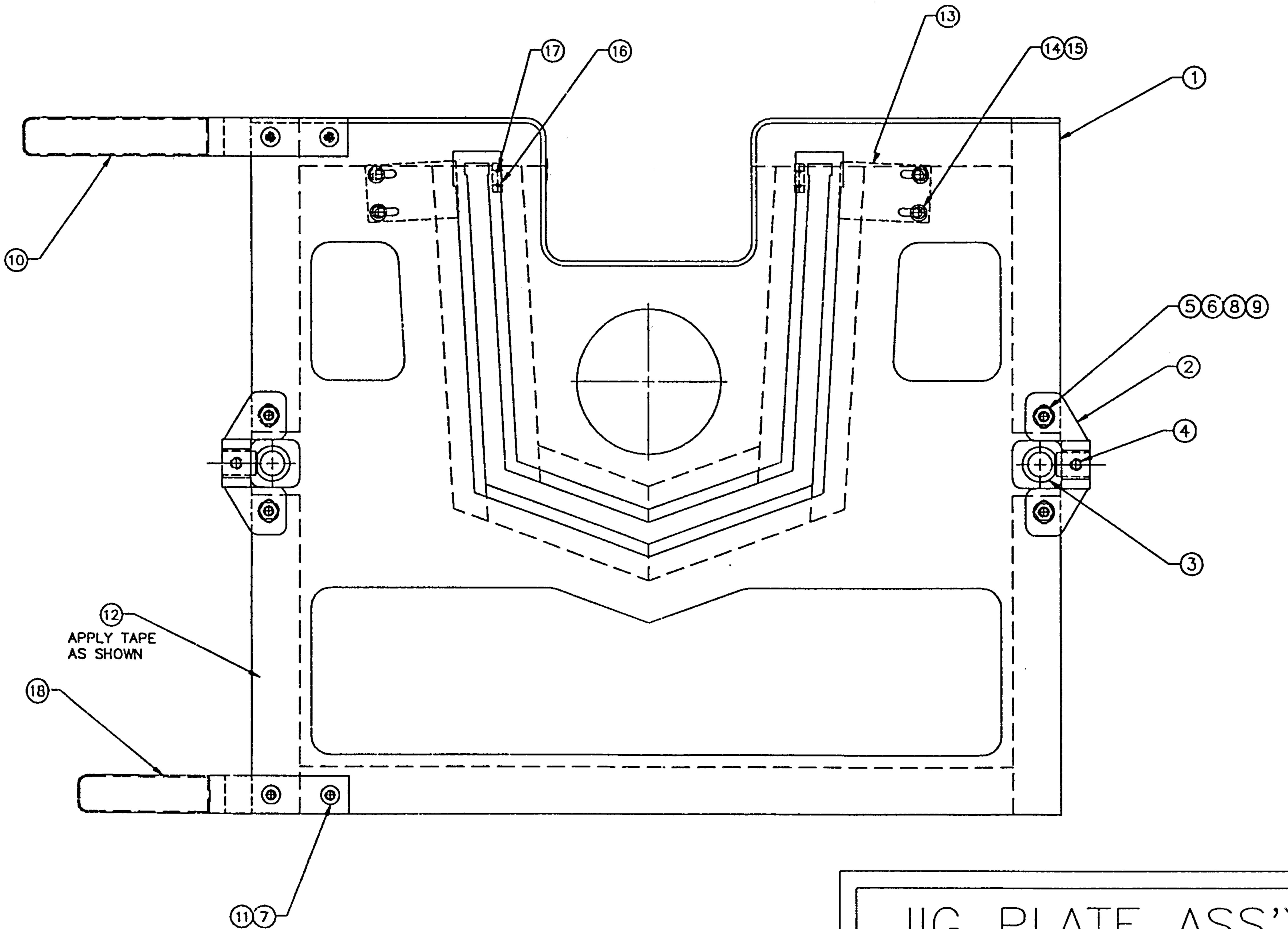
**JIG PLATE ASSEMBLY  
SINGLE STITCH**

<b>P0</b>	<b>ASSY #</b>	<b>ITEM 0</b>	<b>ITEM 1</b>
P0013	2000256	2000235	2000233
P0027-1	2006441	2006443	2006442
P0036	2000631	2000633	2000632
P0037	2000634	2000636	2000635
P0038	2000702	2000704	2000703
P0039	2000705	2000707	2000706
P0046	2000760	2000762	2000761
P0051-1	2000842	2000841	2000843
P0051-3	2000839	2000841	2000840
P0054-1	2001381	2000947	2000946
P0080	2001342	2001344	2001343
P0084	2001415	2001417	2001416
P0093	2001562	2001564	2001563
P0113-1	2001973	2007589	2008513
P0113-2	2001983	2001975	2001982
P0117-1	2002055	2002057	2002056
P0120-1	2002072	2002074	2002073
P0137-2	2002429	2002431	2002430
P0163-1	2002764	2002766	2002765
P0178-1	2003035	2003037	2003036
P0181-1	2003055	2003057	2003056
P0203-1	2003579	2003581	2003580
P0240-1	2004189	2004191	2004190
P0285-1	2005155	2005157	2005156
P0307-1	2005471	2005473	2005472
P0318-1	2005659	2005661	2005660
P0322-1	2005695	2005697	2005696
P0357-1	2006416	2006418	2006417
P0415-2	2008512	2007589	2008513
P0427-1	2007905	2007907	2007906
P0427-2	2008171	2007907	2008172
P0427-3	2008171	2007907	2008172
P0429-1	2007874	2007876	2007875
P0434-1	2007925	2007927	2007926
P0434-2	2008173	2007927	2008174
P0434-3	2008173	2007927	2008174
P0482-1	2008812	2008814	2008813
P0488-1	2008886	2008888	2008887
P0496-1	2008999	2009001	2009000

Style pattern

Jig Plate





JIG PLATE ASS'Y  
 (DOUBLE STITCH POCKETS)

**JIG PLATE ASSEMBLY  
DOUBLE STITCH**

TEM	PART NUMBER	DESCRIPTION	QTY	ITEM	PART NUMBER	DESCRIPTION	QTY
0	9-200	Style Pattern	1		9-2004744	Assy, Butterfly (Jig Plate)	2
1	9-200	Jig Plate	1		9-2004746	Accessory Bag (No. 2)	1
2	9-2000021	Bearing	2				
3	9-2000023	Ball Joint Socket , Mod.	2			Above items not shown	
4	8040020636	Sc,Hx-Soc.Set,Fl.PT,M5 x 6mm	2				
5	8040020638	Sc,Hx-Soc,Fl Hd,M4 x 16mm	4				
6	8040040088	Washer, Flat, M4	4				
7	8040040087	Washer, Belleville Spring, M4	4				
8	8040040091	Washer, Split Lock, M4	4				
9	8040010115	Nut, Hex, M4 x 0.7	4				
10	9-2000022	Actuator	1				
11	8040020648	Sc,Hx-Soc,Butt Hd,M4 x 6mm	4				
12	8010360736	Tape	7 FT				
13	9-2000024	Plate	2				
14	8040020639	Sc,Hx-Soc,Cap,M3 x 5mm	4				
15	8040040089	Washer, Flat M3	4				
16	8060090015	Knurled Plate	2				
17	8040030060	Pin	4				
18	9-2000496	Actuator, Bottom	1				

**JIG PLATE ASSEMBLY  
DOUBLE STITCH**

<b>P0</b>	<b>ASSY #</b>	<b>ITEM 0</b>	<b>ITEM 1</b>
P0001-1	2000077	2000090	2000089
P0001-2			2001055
P0002	2000078	2000097	2000096
P0003	2000170	2000080	2000079
P0004	2000201	2000105	2000104
P0005-1	2000247	2000180	2000177
P0005-2	2000252	2000226	2000225
P0006-1	2000221	2000164	2000161
P0006-2	2000242	2000208	2000207
P0009	2000267	2000192	2000189
P0010	2000275	2000212	2000209
P0010-2	2006303	2006385	2006384
P0010-4	2004002	2004004	2004003
P0011	2000020	2000002	2000001
P0011-3	2008837	2008839	2008838
P0012	2000088	2000011	2000010
P0014	2000328	2000330	2000329
P0015	2000331	2000333	2000332
P0016	2000303	2000305	2000304
P0016-2	2003522	2003524	2003523
P0017	2000306	2000308	2000307
P0018-1	2000389	2000388	2000387
P0018-2	2001409	2001410	2001323
P0019-1	2000392	2000391	2000390
P0019-2	2001411	2001412	2001322
P0020	2000514	2000516	2000515
P0021	2000517	2000519	2000518
P0022	2000425	2000427	2000426
P0023	2000520	2000522	2000521
P0024-1		2000556	2000554
P0024-2	2000553	2000555	2000554
P0025	2000560	2000562	2000561
P0026	2000395	2000394	2000393
P0028	2000625	2000627	2000626
P0028-2	2009841	2009843	2009842
P0029	2000628	2000630	2000629
P0030	2000557	2000559	2000558
P0030-2	2007845	2000559	2005756
P0032	2000439	2000441	2000440

Assembly #

Style pattern

Jig Plate



**JIG PLATE ASSEMBLY  
DOUBLE STITCH**

P0033	2000445	2000447	2000446
P0034-1	2000442	2000444	2000443
P0034-2	2004740	2004742	2004741
P0035	2000436	2000438	2000437
P0040	2000708	2000710	2000709
P0040-3	2005859	2005861	2005860
P0041	2000718	2000720	2000719
P0042-1	2005289	2005291	2005290
P0043-2	2005866	2005868	2005867
P0044	2000754	2000756	2000755
P0044-2	2003205	2003207	2003206
P0045	2000757	2000759	2000758
P0045-3	2001559	2001561	2001560
P0047	2000827	2000829	2000828
P0048	2000830	2000832	2000831
P0049	2000833	2000835	2000834
P0050	2000836	2000838	2000837
P0052	2000908	2000910	2000909
P0053	2000911	2000913	200912
P0055	2001007	2001009	2001008
P0056	2000951	2000953	2000952
P0057	2000966	2000968	2000967
P0058	2000983	2000985	2000984
P0059-1	2001020	2001022	2001021
P0059-2	2001413	2001022	2001414
P0059-3	2003274	2003285	2003275
P0060	2001038	2001040	2001039
P0060-3	2003533	2003535	2003534
P0063	2001057	2001059	2001058
P0064	2001074	2001076	2001075
P0064-2	2003094	2003095	2003096
P0065	2001091	2001093	2001092
P0066	2001110	2001112	2001111
P0067	2001129	2001131	2001130
P0068	2001146	2001148	2001147
P0069-1	2004146	2004148	2004147
P0069-2	2009844	2009846	2009845
P0070	2001173	2001175	2001174
P0071	2001190	2001192	2001191
P0072	2001207	2001209	2001208

Assembly #

Style pattern

Jig Plate

**JIG PLATE ASSEMBLY  
DOUBLE STITCH**

P0073	2001231	2001233	2001232
P0073-2	2009815	2009817	2009816
P0074	2001248	2001250	2001249
P0074-2	2002253	2002255	2002254
P0075	2001265	2001267	2001266
P0076-1	2002559	2002560	2001230
P0076-2	2001957	2001959	2001958
P0077	2001324	2001326	2001325
P0077-3	2003527	2003529	2003528
P0078	2001288	2001290	2001289
P0079	2001305	2001307	2001306
P0081	2001361	2001363	2001362
P0082	2001392	2001394	2001393
P0083	2001449	2001451	2001450
P0087	2001432	2001434	2001433
P0088	2001491	2001493	2001492
P0089	2001508	2001510	2001509
P0090	2001525	2001527	2001526
P0091	2001542	2001544	2001543
P0092	2001474	2001476	2001475
P0094	2001596	2001598	2001597
P0095	2001618	2001620	2001619
P0095-2	2007210	2001620	2007211
P0096	2001640	2001642	2001641
P0096-2	2006554	2006571	2006555
P0097	2001662	2001664	2001663
P0097-2	2006996	2001664	2006997
P0098	2001684	2001686	2001685
P0098-2	2005757	2005759	2005758
P0099	2001733	2002810	2001734
P0100	2001755	2001757	2001756
P0100A	2002505	2002507	2002506
P0101	2001579	2001581	2001580
P0102	2001709	2001708	2001707
P0103	2001798	2001800	2001799
P0103-1	2004186	2004188	2004187
P0104	2001832	2001834	2001833
P0104-1	2004073	2004075	2004074
P0105	2001815	2001817	2001816
P0105-1	2004080	2004082	2004081

Assembly #

Style pattern

Jig Plate

**JIG PLATE ASSEMBLY  
DOUBLE STITCH**

P0106	2001777	2001779	2001778
P0107	2001872	2001874	2001873
P0111-1	2002099	2002101	2002100
P0112-1	2001984	2001986	2001985
P0112-2	2001926	2001928	2001927
P0113-1	2001973	2001975	2001974
P0114-1	2002006	2002008	2002007
P0116-1	2001989	2001991	2001990
P0117-2	2002696	2002057	2002697
P0118-1	2002021	2002023	2002022
P0119-1	2002038	2002040	2002039
P0121-1	2002234	2002233	2002110
P0121-2	2002109	2002111	2002235
P0122-1	2002159	2002161	2002160
P0123-1	2002142	2002144	2002143
P0124-1	2002176	2002178	2002177
P0125-1	2002193	2002195	2002194
P0125-2	2002227	2002229	2002228
P0126-1	2002210	2002212	2002211
P0126-2	2002230	2002232	2002231
P0128-1	2002236	2002238	2002237
P0128-2		2003756	
P0129-1	2002256	2002258	2002257
P0129-2	2005925	2006510	2005926
P0131-1	2002392	2002394	2002393
P0132-1	2002313	2002315	2002314
P0132-1A	2002562	2002564	2002314
P0133-1	2002330	2002332	2002331
P0134-1	2002349	2002351	2002350
P0135-1	2002364	2002366	2002365
P0135-2	2002364	2002366	2002365
P0135-3	2003320	2003326	2003321
P0136-1	2002409	2002411	2002410
P0138-1	2002446	2002448	2002447
P0139-1	2002472	2002474	2002473
P0145-1	2002526	2002528	2002527
P0145-2	2006217	2006219	2006218
P0146-1	2002543	2002545	2002544
P0146-2	2006220	2006222	2006221
P0147-1&-2	2002485	2002487	2002486

Assembly #

Style pattern

Jig Plate

**JIG PLATE ASSEMBLY  
DOUBLE STITCH**

P0148-1	2002581	2002583	2002582
P0150-1	2002598	2002600	2002599
P0151-1	2002618	2002620	2002619
P0152-1	2002638	2002640	2002639
P0153-1	2002658	2002660	2002659
P0154-1	2002678	2002680	2002679
P0156-1	2002727	2002729	2002728
P0158-1	2002705	2002707	2002706
P0161-1	2002744	2002746	2002745
P0162-1	2003187	2003189	2003188
P0163-2	2008124	2002766	2008125
P0164-1	2002818	2002817	2002819
P0164-1A	2007382	2002817	2007383
P0167-1	2002903	2002905	2002904
P0168-1	2002855	2002857	2002856
P0169-1	2002875	2002877	2002876
P0170-1	2002930	2002932	2002931
P0171-1	2002959	2002961	2002960
P0172-1	2002979	2002981	2002980
P0172-2	2005857	2002981	2005858
P0175-1	2003099	2003101	2003100
P0176-1	2002999	2003001	2003000
P0177-1	2003020	2003022	2003021
P0180-1	2003129	2003131	2003130
P0182-1	2003075	2003077	2003076
P0182-2	2003287	2003289	2003288
P0182-3	2005056	2005058	2005057
P0184-1	2003166	2003168	2003167
P0184-3	2005542	2003168	2005543
P0184-4	2007374	2003168	2007375
P0185-1	2003140	2003142	2003141
P0189-1	2003298	2003300	2003299
P0190-1	2003327	2003329	2003328
P0191-1	2003347	2003349	2003348
P0191-5	2003530	2003532	2003531
P0192-1	2003846	2003848	2003847
P0192-2	2005654	2005656	2005655
P0193-1	2003437	2003439	2003438
P0194-1	2003371	2003373	2003372
P0195-1	2003391	2003393	2003392

Assembly #

Style pattern

Jig Plate

**JIG PLATE ASSEMBLY  
DOUBLE STITCH**

P0196-1	2003417	2003419	2003418
P0197-1	2003454	2003456	2003455
P0198-1	2003480	2003482	2003481
P0200-1	2003500	2003502	2003501
P0201-1	2003536	2003538	2003537
P0201-2		2003577	
P0202-1	2003556	2003558	2003557
P0202-2	2003556	2003576	2003557
P0204-1	2003599	2003601	2003600
P0205-1	2003619	2003621	2003620
P0206-1	2003639	2003641	2003640
P0207-1	2003662	2003664	2003663
P0209-1	2004446	2004448	2004447
P0211-1	2003691	2003693	2003692
P0212-1	2003711	2003713	2003712
P0213-1	2003757	2003759	2003758
P0214-1	2003777	2003779	2003778
P0217-1	2003816	2003818	2003817
P0218-1	2003911	2003913	2003912
P0219-1	2003889	2003891	2003890
P0221-1	2003931	2003933	2003932
P0222-1	2003962	2003964	2003963
P0223-1	2003953	2003955	2003957
P0224-1	2003956	2003958	2003957
P0225-1	2003959	2003961	2003960
P0226-1	2003982	2003984	2003983
P0227-1	2004005	2004007	2000719
P0228-1	2004091	2004093	2004092
P0229-1	2004053	2004055	2004054
P0229-3	2009483	2004276	2009484
P0230-1	2004033	2004035	2004034
P0234-1	2004711	2004693	2004692
P0236-1	2004126	2004128	2004127
P0237-1	2004166	2004168	2004167
P0238-1	2005502	2005504	2005503
P0238-2	2009022	2009024	2009023
P0239-1	2005522	2005524	2005523
P0241-1	2004214	2004216	2004215
P0241-3		2004277	
P0242-1	2004234	2004236	2004235

Assembly #

Style pattern

Jig Plate

**JIG PLATE ASSEMBLY  
DOUBLE STITCH**

P0242-3		2004279	
P0243-1	2004254	2004256	2004255
P0243-3		2004278	
P0244-1	2004283	2004285	2004284
P0245-1	2004323	2004325	2004324
P0246-1	2004343	2004345	2004344
P0247-1	2005306	2005308	2005307
P0248-1	2004369	2004371	2004370
P0249-1	2004498	2004500	2004499
P0250-1	2004518	2004520	2004519
P0251-1	2004539	2004541	2004540
P0252-1	2004559	2004561	2004560
P0253-1	2004579	2004581	2004580
P0254-1	2004599	2004601	2004600
P0255-1	2004640	2004642	2004641
P0256-1	2004665	2004667	2004666
P0257-1	2004389	2004391	2004390
P0260-1	2004409	2004411	2004410
P0261-1	2005024	2005026	2005025
P0262-1	2004619	2004621	2004620
P0262-2	2007215	2007217	2007216
P0263-1	2004712	2004714	2004713
P0264-1	2004776	2004778	2004777
P0265-1	2004794	2004796	2004795
P0266-1	2004814	2004816	2004815
P0268-1	2009510	2009512	2009511
P0271-1	2004860	2004862	2004861
P0272-1	2004899	2004901	2004900
P0273-1	2004919	2004921	2004920
P0276-1	2004840	2004842	2004841
P0276-2	2007204	2007206	2007205
P0277-1	2004960	2004962	2004961
P0278-1	2004879	2004881	2004880
P0281-1	2007083	2005002	2007084
P0284-1	2006887	2005107	2006888
P0290-1	2005129	2005131	2005130
P0291-1	2005059	2005061	2005060
P0292-1	2005179	2005181	2005180
P0293-1	2005199	2005201	2005200
P0294-1	2005325	2005327	2005326

Assembly #

Style pattern

Jig Plate

**JIG PLATE ASSEMBLY  
DOUBLE STITCH**

P0295-1	2005223	2005225	2005224
P0296-1	2005266	2005268	2005267
P0297-1	2005246	2005248	2005247
P0298-1	2005364	2005366	2005365
P0299-1	2005384	2005386	2005385
P0299-2	2006603	2006605	2006604
P0300-1	2005342	2005344	2005343
P0301-1	2005404	2005406	2005405
P0302-1	2005424	2005426	2005425
P0304-1	2008015	2008017	2008016
P0305-1	2005444	2005446	2005445
P0308-1	2005482	2005484	2005483
P0311-1	2005837	2005839	2005838
P0312-1	2005548	2005550	2005549
P0313-1	2005568	2005570	2005569
P0314-1	2008030	2008032	2008031
P0315-1	2005591	2005593	2005592
P0315-2		2005594	
P0316-1	2005612	2005614	2005613
P0316-2		2005615	
P0317-1	2005633	2005635	2005634
P0317-2		2005636	
P0319-1	2005678	2005680	2005679
P0320-1	2005715	2005717	2005716
P0321-1	2005735	2005737	2005736
P0324-1	2006097	2005762	2006098
P0325-1	2006099	2005784	2006100
P0326-1	2006101	2005806	2006102
P0328-1	2005898	2005900	2005899
P0333-1	2005997	2005999	2005998
P0333-2	2009847	2009849	2009848
P0334-1	2005927	2005929	2005928
P0335-1	2005949	2005951	2005950
P0337-1	2005973	2005975	2005974
P0339-1	2006017	2006019	2006018
P0340-1	2006037	2006039	2006038
P0341-1	2006057	2006059	2006058
P0342-1	2006103	2006105	2006104
P0343-1	2006083	2006085	2006084
P0344-1	2006123	2006125	2006124

Assembly #

Style pattern

Jig Plate

**JIG PLATE ASSEMBLY  
DOUBLE STITCH**

P0344-2	2007989	2006125	2007990
P0345-1	2006144	2006146	2006145
P0346-1	2006160	2006162	2006161
P0347-1	2006176	2006178	2006177
P0348-1	2006197	2006199	2006198
P0349-1	2006243	2006245	2006244
P0350-1	2006263	2006265	2006264
P0351-1	2006285	2006284	2006283
P0352-1	2006306	2006308	2006307
P0353-1	2006326	2006328	2006327
P0354-1	2006531	2006533	2006532
P0355-1	2006375	2006377	2006376
P0356-1	2006398	2006400	2006399
P0358-1	2006446	2006448	2006447
P0359-1	2006466	2006468	2006467
P0360-1	2006486	2006488	2006487
P0361-1	2006507	2006509	2006508
P0362-1	2006582	2006584	2006583
P0363-1	2006628	2006630	2006629
P0364-1	2006606	2006608	2006607
P0365-1	2006661	2006663	2006662
P0365-5	2006664	2006663	2006665
P0366-1	2006683	2006685	2006684
P0366-5	2006686	2006685	2006687
P0367-1	2006706	2006708	2006707
P0367-5	2006709	2006708	2006710
P0368-1	2006728	2006703	2006729
P0368-5	2006731	2006730	2006732
P0369-1	2006750	2006752	2006751
P0371-1	2006931	2006933	2006932
P0372-1	2006829	2006831	2006830
P0373-1	2006805	2006807	2006806
P0374-1	2006891	2009487	2006892
P0374-3	2009485	2006893	2009486
P0375-1	2006911	2006913	2006912
P0376-1	2006849	2006851	2006850
P0377-1	2006869	2006871	2006870
P0378-1	2006958	2006960	2006959
P0379-1	2006978	2006980	2006979
P0380-9	2007005	2007007	2007006

Assembly #

Style pattern

Jig Plate



**JIG PLATE ASSEMBLY  
DOUBLE STITCH**

P0381-1	2006953	2006955	2006954
P0382-1	2007087	2007089	2007088
P0383-1	2007109	2007111	2007110
P0384-1	2007028	2007030	2007029
P0385-1	2007047	2007049	2007048
P0386-1	2007066	2007068	2007067
P0387-1	2007129	2007131	2007130
P0388-1	2007149	2007151	2007150
P0389-1	2007173	2007175	2007174
P0395-1	2007220	2007222	2007221
P0396-1	2007388	2007390	2007389
P0397-1	2007356	2007358	2007357
P0398-1	2007275	2007277	2007276
P0399-1	2007336	2007338	2007337
P0400-1	2007296	2007298	2007297
P0401-1	2007316	2007318	2007317
P0402-1	2007406	2007408	2007407
P0403-1	2007426	2007428	2007427
P0404-1	2007449	2007451	2007450
P0405-1	2007552	2007554	2007553
P0406-1	2007512	2007514	2007513
P0407-1	2007532	2007534	2007533
P0408-1	2007474	2007476	2007475
P0409-1	2007490	2007492	2007491
P0412-1	2007572	2007574	2007573
P0413-1	2007631	2007633	2007632
P0415-1	2007587	2007589	2007588
P0416-1	2007607	2007609	2007608
P0417-1	2007652	2007654	2007653
P0418-1	2007672	2007674	2007673
P0419-1	2007692	2007694	2007693
P0420-1	2007712	2007714	2007713
P0421-1	2007732	2007734	2007733
P0422-1	2007752	2007754	2007753
P0423-1	2007774	2007776	2007775
P0424-1	2007791	2007793	2007792
P0425-1	2007808	2007810	2007809
P0426-1	2007823	2007825	2007824
P0427-4	2008207	2007907	2008208
P0431-1	2007857	2007859	2007858

Assembly #

Style pattern

Jig Plate

**JIG PLATE ASSEMBLY  
DOUBLE STITCH**

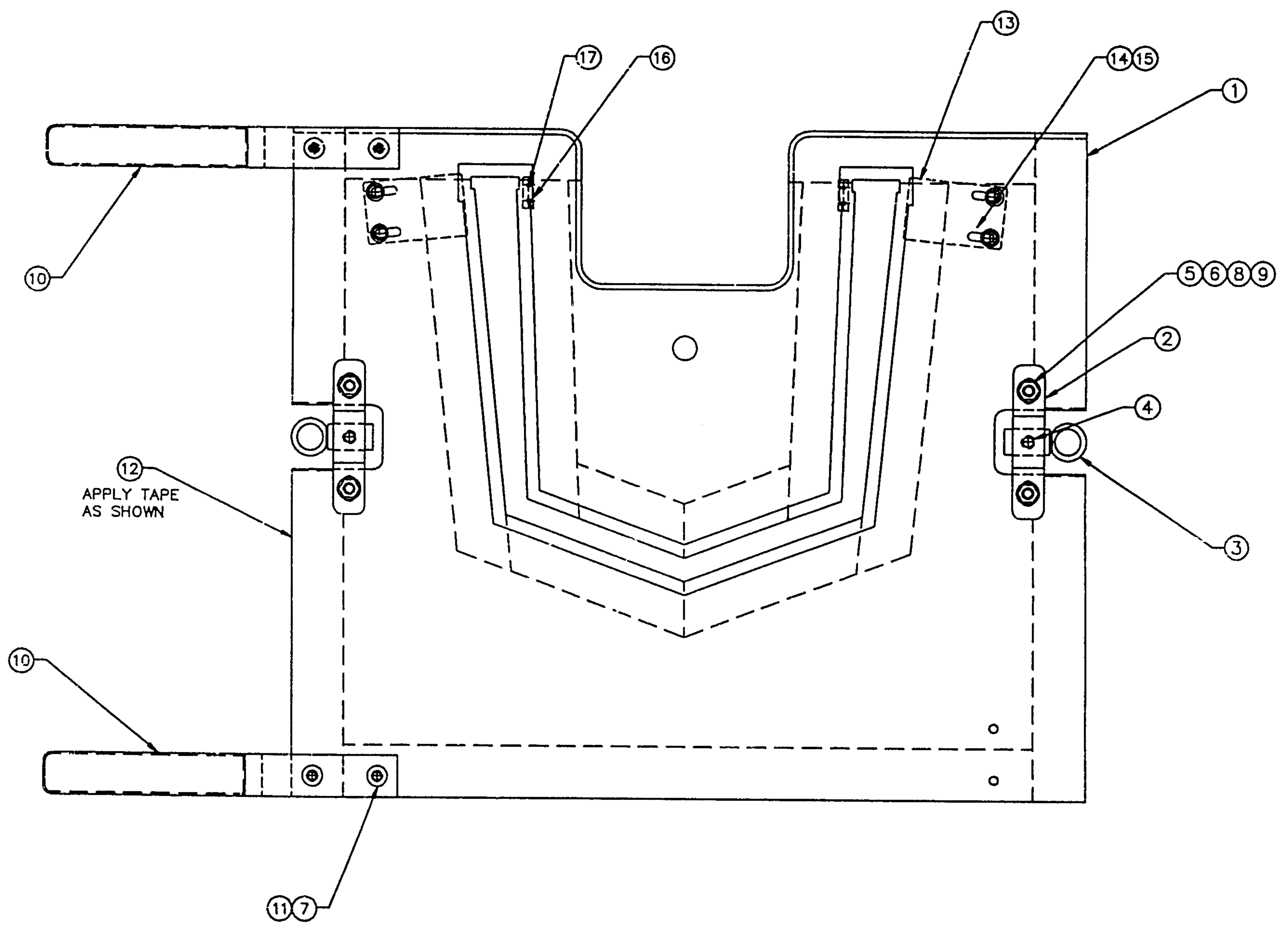
P0434-6	2008205	2007927	2008206
P0437-1	2007993	2007995	2007994
P0438-1	2008052	2008054	2008053
P0440-1	2008106	2008108	2008107
P0441-1	2008128	2008130	2008129
P0442-1	2008212	2008214	2008213
P0456-1	2008232	2008234	2008233
P0457-1	2008250	2008252	2008251
P0458-1	2008487	2008371	2008488
P0459-1	2008391	2008393	2008392
P0460-1	2008766	2008768	2008767
P0461-1	2008411	2008413	2008412
P0463-1	2008440	2008442	2008441
P0466-1,2	2008532	2008534	2008533
P0467-1,2	2008491	2008493	2008492
P0468-1,2	2008552	2008554	2008553
P0469-1	2008596	2008598	2008597
P0470-1	2008572	2008574	2008573
P0471-1	2008633	2008635	2008634
P0472-1	2008614	2008616	2008615
P0473-1	2008653	2008655	2008654
P0475-1	2008695	2008697	2008696
P0477-1	2008717	2008719	2008718
P0478-1	2008741	2008743	2008742
P0479-1	2008675	2008677	2008676
P0480-1	2008794	2008796	2008795
P0481-1	2008745	2008747	2008746
P0484-1	2008840	2008842	2008841
P0485-1	2008862	2008864	2008863
P0489-1	2008907	2008909	2008908
P0490-1	2008919	2008921	2008920
P0491-1	2008931	2008933	2008932
P0492-1	2008979	2008981	2008980
P0497-1	2009027	2009029	2009028
P0498-1	2009047	2009049	2009048
P0499-1	2009067	2009069	2009068
P0501-1	2009116	2009118	2009117
P0502-1	2009136	2009138	2009137
P0503-1	2009156	2009158	2009157
P0504-1	2009176	2009178	2009177

Assembly #

Style pattern

Jig Plate





JIG PLATE ASS'Y  
 (DOUBLE STITCH MODEL 3518)

JIG PLATE ASSEMBLY  
DOUBLE STITCH (3518)

ITEM	PART NUMBER	DESCRIPTION	QTY	ITEM	PART NUMBER	DESCRIPTION	QTY
0	9-200	Style Pattern	1				
1	9-200	Jig Plate	1				
2	9-2001923	Bearing	2				
3	9-2001922	Ball Joint Socket, Mod.	2				
4	8040020636	Scr, SHS, FP. M5 x 6mm	2				
5	8040020638	Scr, SHS, FH, M4 x 16mm	4				
6	8040040088	Washer, Flat M4	4				
7	8040040087	Washer, Belleville Spring, M4	4				
8	8040040091	Washer, Split Lock, M4	4				
9	8040010115	Nut, Hex, M4 x 0.7	4				
10	9-2000022	Actuator	2				
11	8040020648	Scr, BHS, M4 x 6mm	4				
12	8010360736	Tape	7				
13	9-2000024	Plate	2				
14	8040020639	Scr, SHC< M3 x 5mm	4				
15	8040040089	Washer, Flat, M3	4				
16	8060090015	Knurled Plate	2				
17	8040030060	Pin	4				

**JIG PLATE ASSEMBLY  
3518**

<b>P0</b>	<b>ASSY #</b>	<b>ITEM #0</b>	<b>ITEM #1</b>
P0001	2001904	2000090	2001905
P0011-1	2003476	2000002	2003477
P0012-1	2004119	2000011	2004120
P0028	2001913	2000627	2001914
P0029	2002723	2000630	2002724
P0030	2002387	2000559	2002388
P0034-1	2002132	2000444	2002133
P0034-2	2002384	2002386	2002385
P0055	2002134	2001009	2002135
P0056	2001917	2000953	2001918
P0057	2003414	2000968	2003412
P0058	2001906	2000985	2001907
P0059	2003276	2003285	2003277
P0063	2003887	2001059	2003888
P0064-3	2008481	2001076	2008482
P0067	2002273	2001131	2002274
P0068	2002300	2001148	2002301
P0094-1	2004122	2001598	2004123
P0095-1	2003318	2001620	2003319
P0096	2001900	2001642	2001901
P0096-2	2006556	2006571	2006557
P0097	2001902	2001664	2001903
P0098-1			2004430
P0099	2001896	2002810	2001897
P0100	2001898	2002507	2001899
P0103-9	2006565	2001800	2006566
P0105-9	2006569	2001817	2006570
P0106	2001895	2001779	2001890
P0127	2002295	2002277	2002296
P0135-3	2003324	2003326	2003325
P0159	2002783	2002785	2002781
P0162-2	2008175	2003189	2008176
P0164	2002815	2002817	2002516
P0186-1	2003208	2003210	2003209
P0186-2	2003253	2003264	2003254
P0187-1	2003230	2003232	2003231
P0187-2	2003257	2003265	2003258
P0192-1	2003870	2003848	2003871
P0208-1	2003731	2003733	2003732

Assembly #

Style pattern

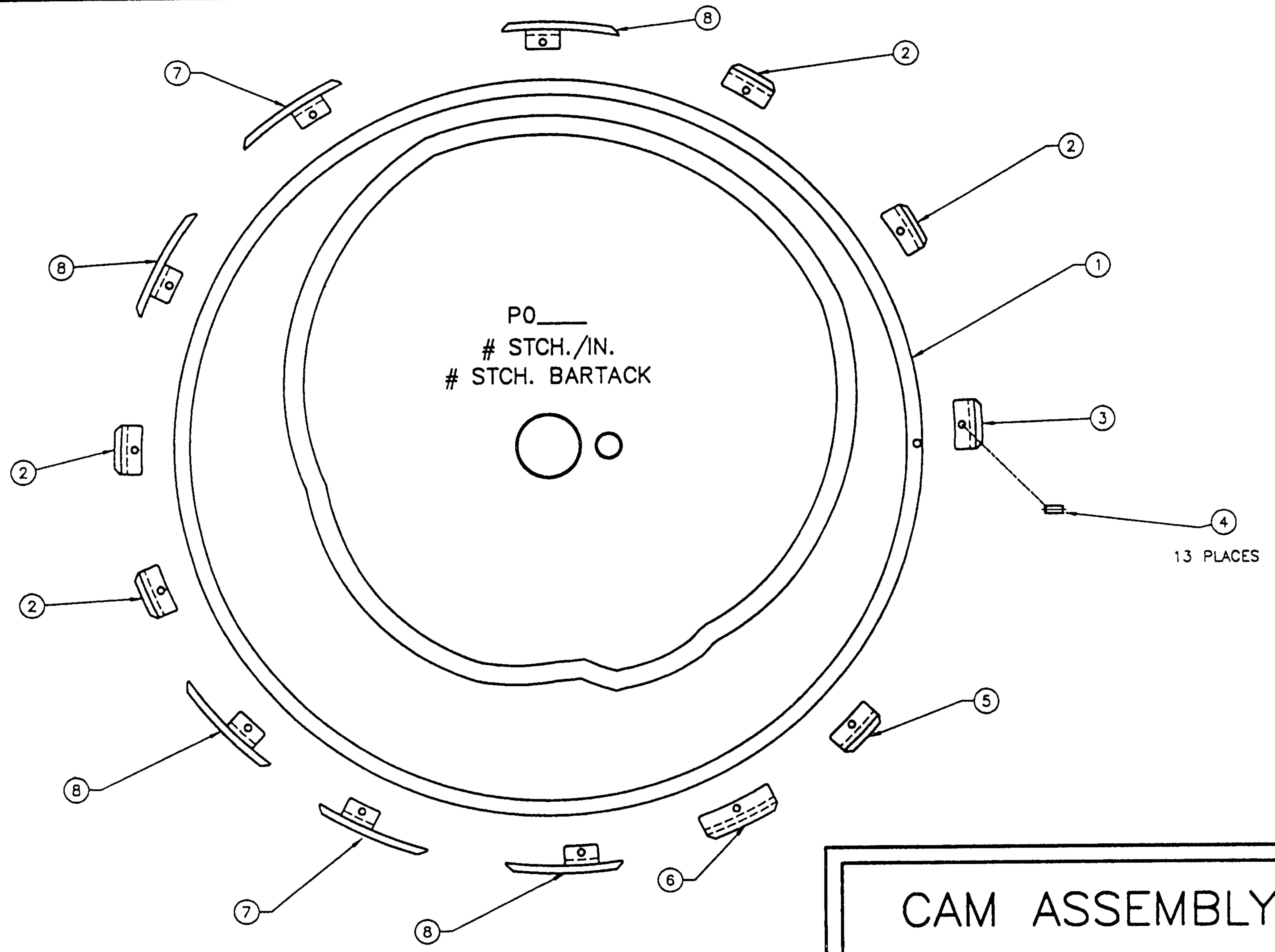
Jig Plate

**JIG PLATE ASSEMBLY  
3518**

P0213-2	2008179	2003759	2008180
P0216-1	2003794	2003796	2003795
P0249-1	2006790	2004500	2006791
P0252-1	2006237	2004561	2006238
P0253-1	2007001	2004581	2007002
P0280-1	2004980	2004982	2004981
P0281-1	2005000	2005002	2005001
P0283	2005081	2005083	2005082
P0284	2005105	2005107	2005106
P0324-1	2005760	2005762	2005761
P0325-1	2005782	2005784	2005703
P0326-1	2005804	2005806	2005805
P0344-1	2006231	2006125	2006232
P0353-1	2006355	2006328	2006356
P0362-1	2008526	2006584	2008527
P0370-1	2006770	2006772	2006771
P0442-1	2008485	2008214	2008486
P0458-1	2008369	2008371	2008370
P0477-1	2008833	2008719	2008834

Assembly #                      Style pattern                      Jig Plate

PO \_\_\_\_\_  
# STCH./IN.  
# STCH. BARTACK



13 PLACES

CAM ASSEMBLY



CAM ASSEMBLY

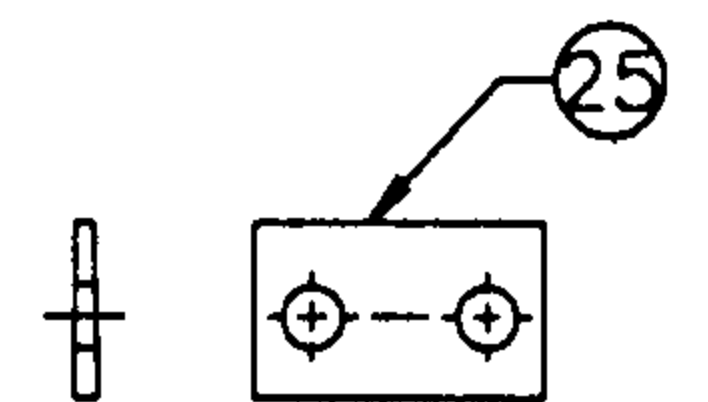
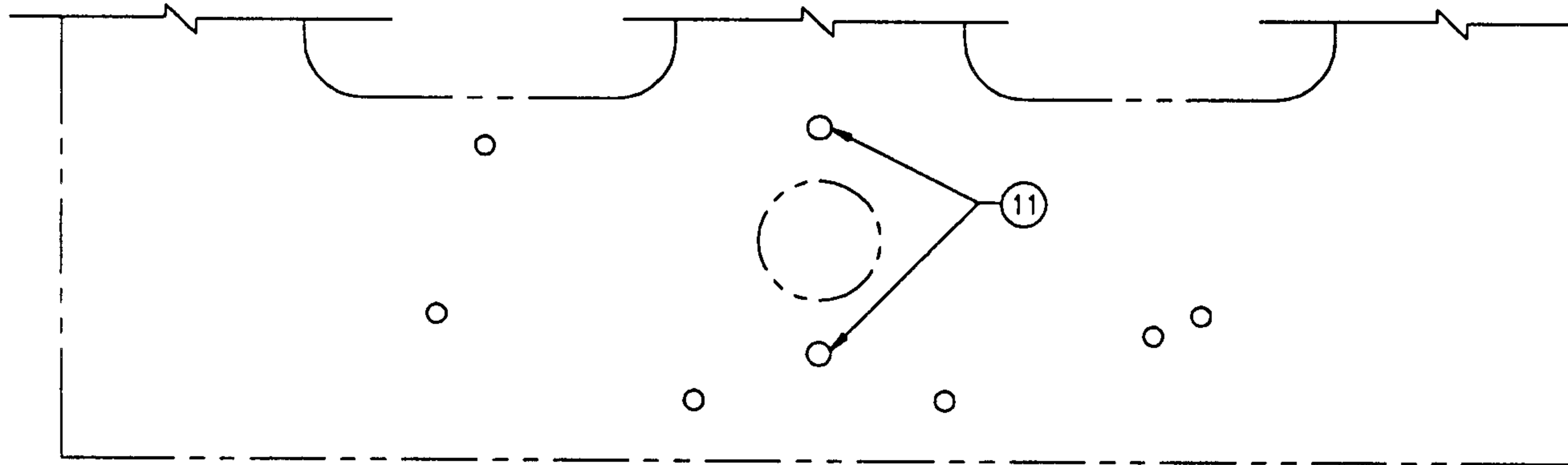
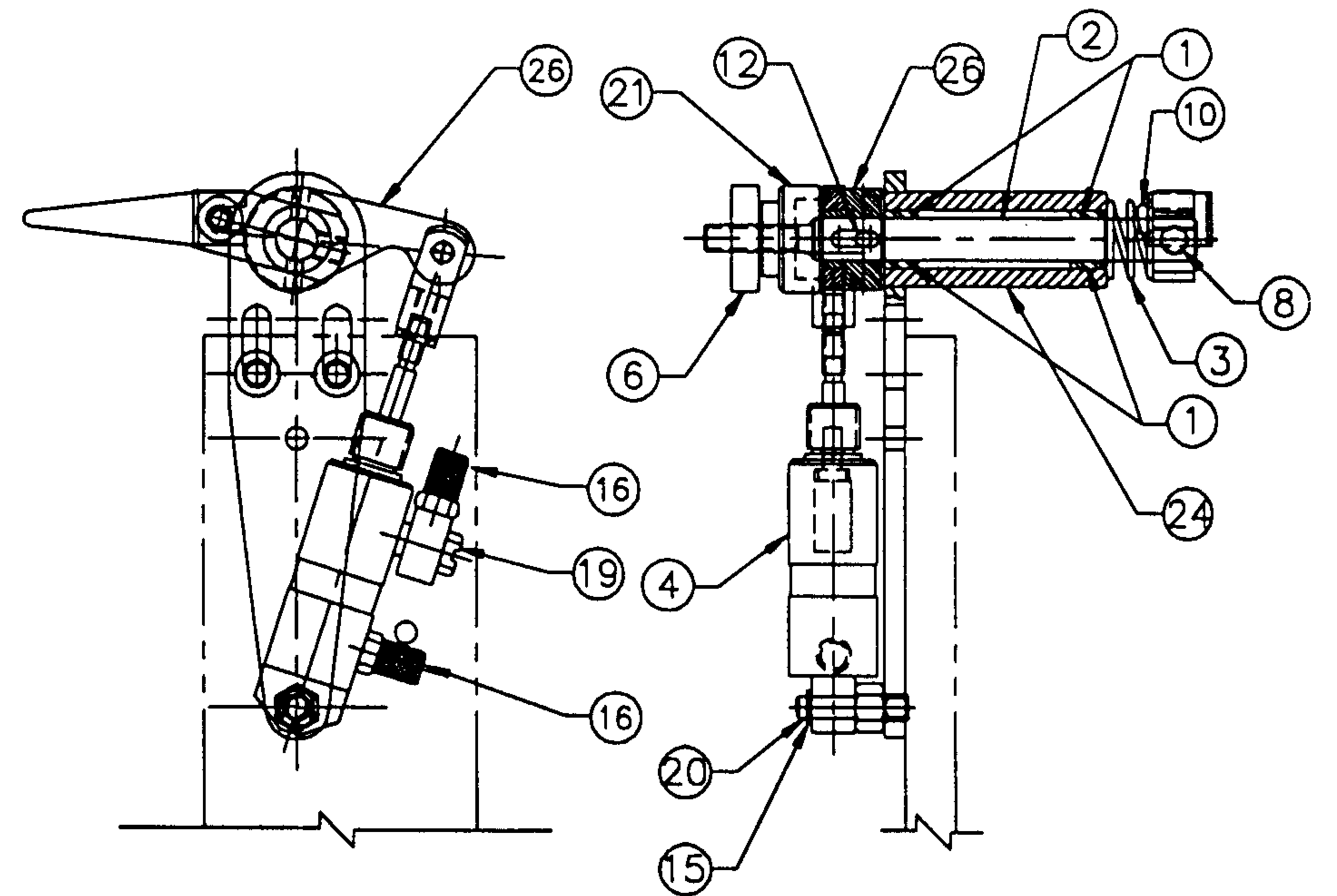
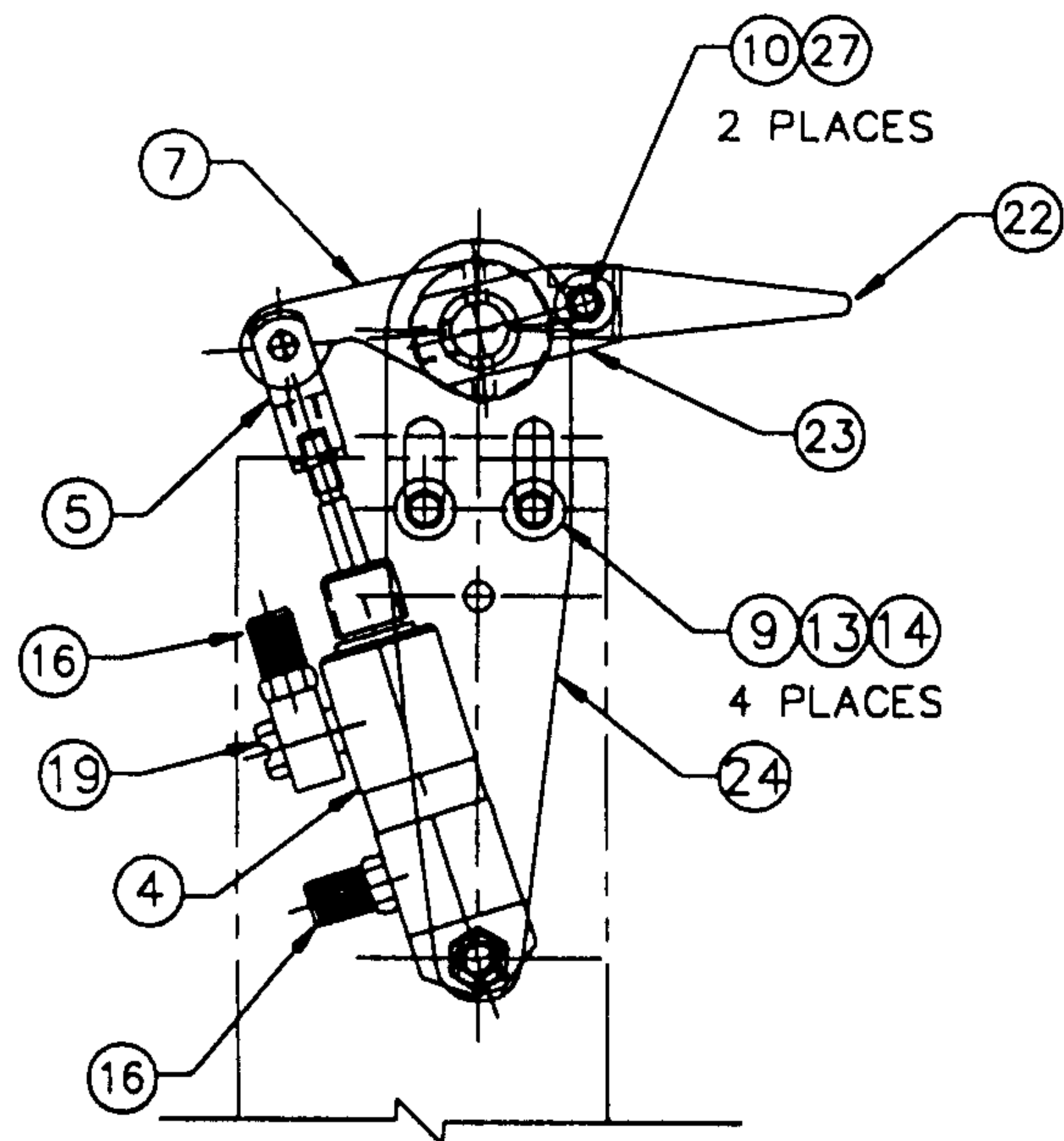
ITEM	PART NUMBER	DESCRIPTION	QTY	ITEM	PART NUMBER	DESCRIPTION	QTY
1	9-200	CAM	1				
2	9-2002841	Trip-Thread Tension	4				
3	9-2002840	Trip-Begin Sew	1				
4	8040020636	Scr,SHS,FP,M5 X 6mm	13				
5	9-2002839	Trip-Cam Off	1				
6	9-2002561	Trip-Sew Off	1				
7	9-2002923	Trip-Zig Zag-Center Position	2				
8	9-2002924	Trip-Zig Zag-Left & Right Pos.	4				

## CAM ASSEMBLY

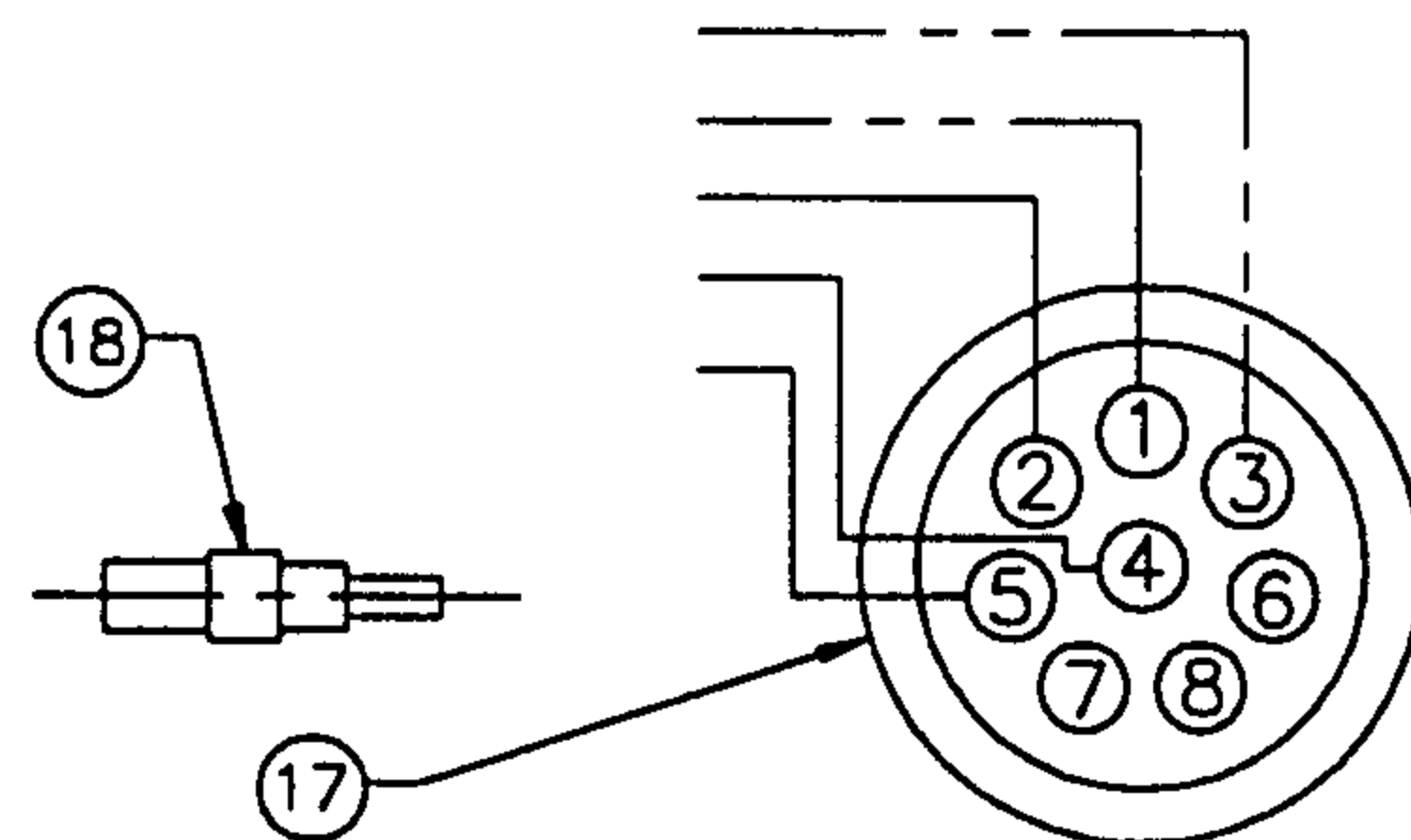
<b>P0</b>	<b>ASSY #</b>	<b>ITEM #1</b>	<b>CAM TYPE</b>
P0011-1	2004114	2004115	140
P0011-1	2007472	2007473	170
P0011-2	2003474	2003475	140
P0012-1	2004121	2001894	140
P0012-2		2004212	140
P0029-1	2002725	2002726	140
P0030-1	2002389	2002390	170
P0034-1	2002136	2002137	170
P0034-2	2002382	2002383	170
P0055-1	2002138	2002139	170
P0056-1	2003415	2003416	170
P0056-1	2005283	2005282	140
P0057-1	2003411	2003413	170
P0057-1	2005284	2004363	140
P0058-1	2003525	2003526	170
P0059-3	2003278	2003279	140
P0063-1	2003885	2003886	170
P0064-1	2008510	2008511	170
P0064-3	2008479	2008480	170
P0067-1	2002305	2002306	140
P0068-1	2002307	2002308	140
P0094-1	2004124	2004125	170
P0095-1	2003316	2003317	170
P0096-1	2002311	2002312	170
P0096-2	2006558	2006559	170
P0097-1		2004429	170
P0097-2	2006572	2006573	170
P0098-1		2004431	170
P0099-1A	2002808	2002809	170
P0100-1	2002108	2002107	170
P0103-9	2006563	2006564	170
P0105-9	2006567	2006568	170
P0106-1	2002140	2002141	170
P0127-1	2002309	2002310	170
P0135-3	2003322	2003323	140
P0149-1		2002563	140
P0157-1	2002698	2002699	140
P0159-1	2002805	2002806	170
P0162-1	2008432	2008433	170

## CAM ASSEMBLY

P0162-2	2008177	2008178	170
P0164-1	2002813	2002814	170
P0173-1		2003158	140
P0186-1	2003228	2003229	170
P0186-2	2003251	2003252	170
P0187-1	2003249	2003250	170
P0187-2	2003255	2003256	170
P0192-1	2003872	2003873	170
P0208-1	2003751	2003752	170
P0213-2	2008181	2008182	170
P0213-3	2008434	2008435	170
P0216-1	2003814	2003815	170
P0243-1	2007213	2007214	170
P0243-3	2007193	2007194	170
P0249-1	2006788	2006789	170
P0252-1	2006235	2006561	170
P0253-1	2006999	2007000	170
P0254-1	2007199	2007200	170
P0280-1	2005020	2005021	170
P0281-1	2005022	2005023	170
P0283-1	2005103	2005104	170
P0284-1	2005127	2005127	170
P0310-1	2005546	2005547	170
P0314-1	2005589	2005590	170
P0324-1	2005780	2005781	140
P0325-1	2005802	2005803	140
P0326-1	2005824	2005825	140
P0344-1	2006233	2006234	170
P0353-1	2006357	2006358	170
P0362-1	2008524	2008525	170
P0370-1	2006786	2006787	140
P0442-1	2008483	2008484	170
P0442-2	2008522	2008523	170
P0458	2008387	2008388	170
P0462-1	2008436	2008437	140
P0477-1	2008835	2008836	170



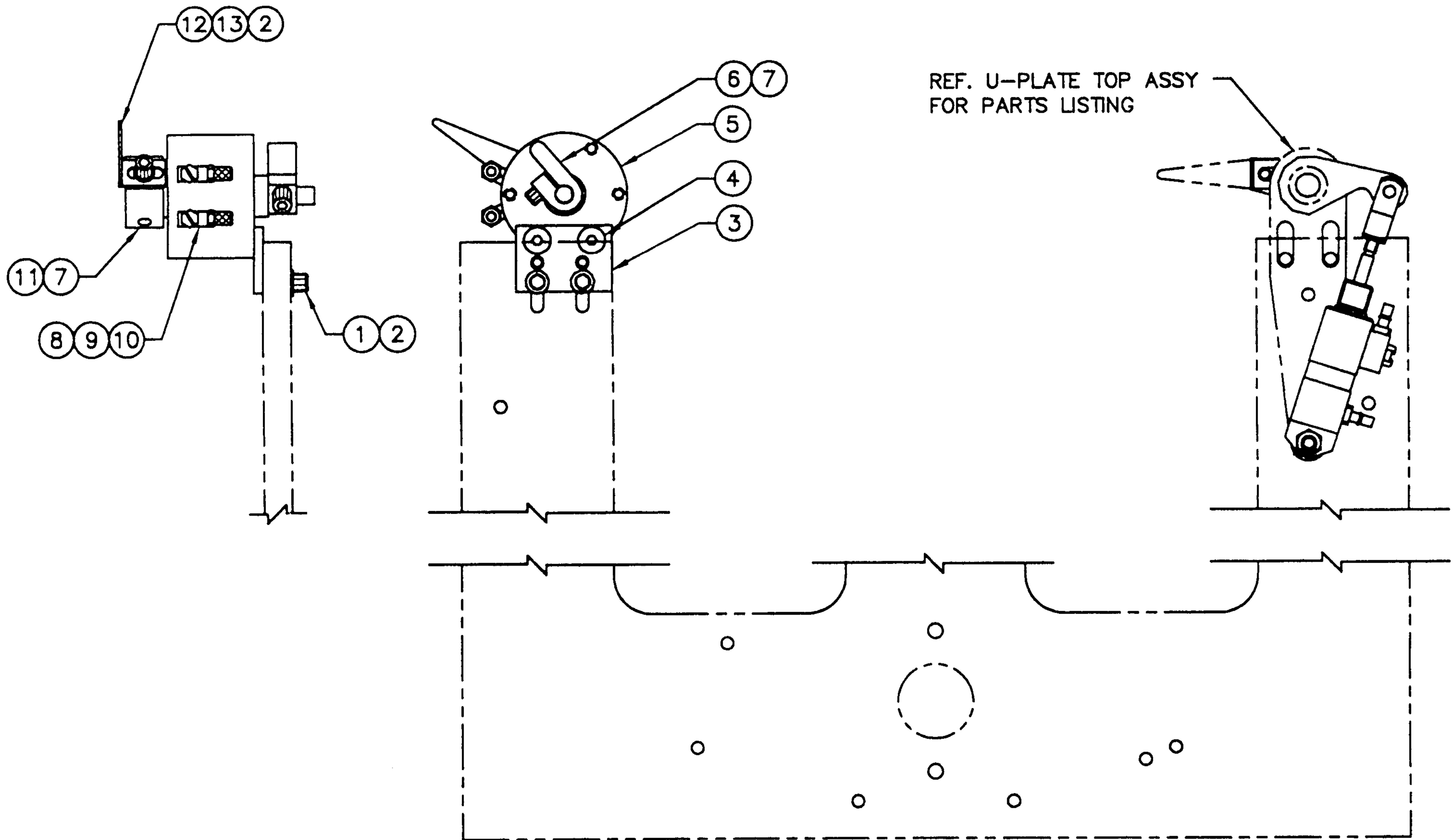
NOTE: IF NEEDED, USE 25 UNDER PLATE IN 24



U-PLATE TOP ASS'Y

**U-PLATE TOP ASSEMBLY**

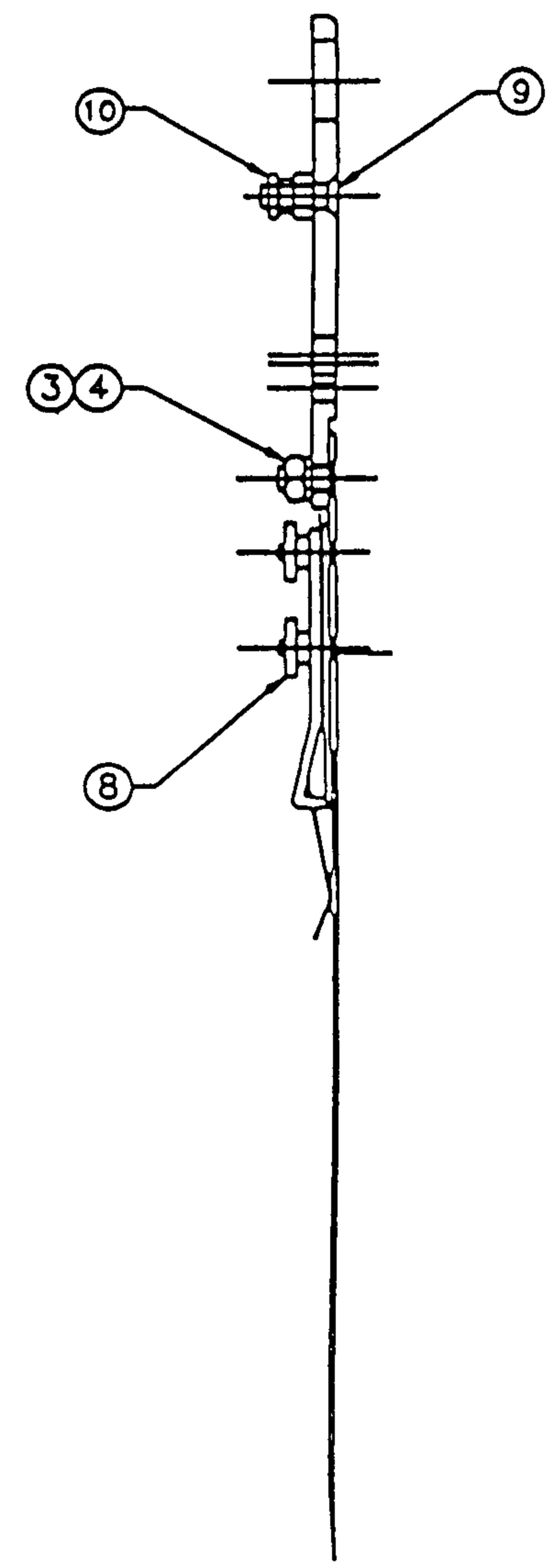
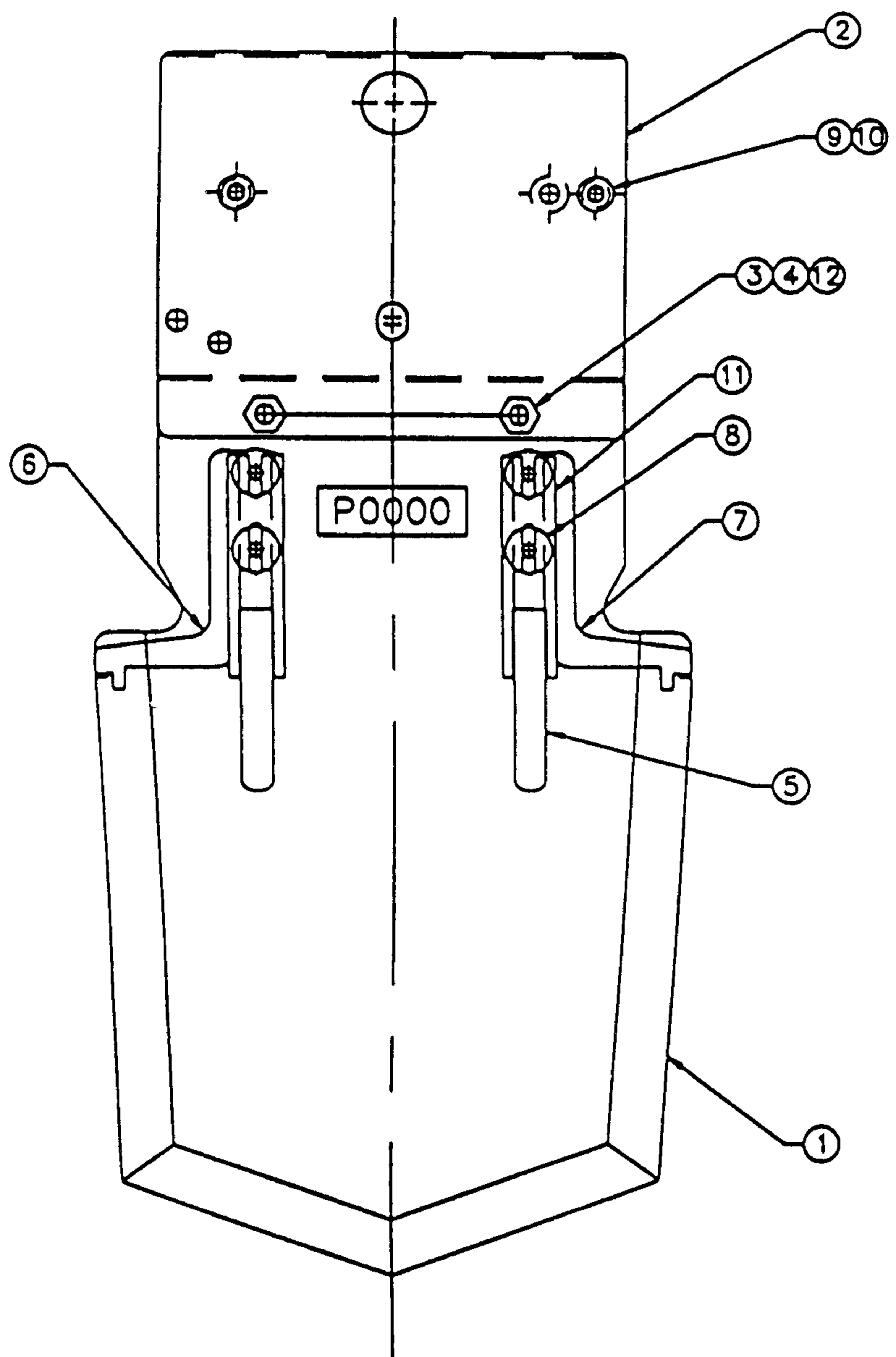
ITEM	PART NUMBER	DESCRIPTION	QTY	ITEM	PART NUMBER	DESCRIPTION	QTY
1	8010040077	Brg,Brz,.312,ID,.437 OD.,250 lg	4	20	8060090007	Bearing Pin	2
2	8060090013	Tucker Shaft	2	21	8060090008	Knurled Nut	2
3	8010360735	Compression Spring	2	22	9-2000043	Spring Blade	2
4	8030010311	Cyl,Air,10mm Borex15mm Stroke	2	23	9-2000044	Holder	2
5	8030160007	Clevis Rod for M4 Thrd Rod	2	24	9-2000070	Flange Bearing	2
6	8040010113	Nut, Knurled-Low, M5	2	25	9-2000073	Leveler Plate	2
7	9-2000168	Lever,Left	1	26	9-2000169	Lever, Right	1
8	8040020636	Sc,Hx-Soc.,Fl.Pt, M5 x 6mm	2	27	8040040088	Washer, Flat,M4	2
9	8040020644	Sc,Hx-Soc.Cap, M5 x 16mm	4				
10	8040020641	Sc,Hx-Soc,Cap, M4 x 10mm	2				
11	8040030030	Pin, Dowel, 5mm Dia. x 16mm	2				
12	8040030056	Pin, Dowel, 3mm Dia x 20mm	2				
13	8040040090	Washer, Flat, M5	4				
14	8040040092	Washer, Split Lock, M5	4				
15	8040060004	Ret.Ring, External,.156 Dia. Shaft	2				
16	8050170004	Hose Nipple, M5 x 0.8 Thrd	4				
17	8050210002	Connector, Multi-Plug	1				
18	8050210003	Terminal Plug	5				
19	8050220072	Universal Elbow, M5 x 0.8 Thrd	2				



ROTARY TUCKER LEFT ASS'Y  
9-2006816

ROTARY TUCKER ASSEMBLY

TEM	PART NUMBER	DESCRIPTION	QTY	ITEM	PART NUMBER	DESCRIPTION	QTY
1	8040020645	Scr,SHC,M4 x 16mm	2				
2	8040040088	Washer, Flat, M4	3				
3	9-2006792	Mounting Plate, Cylinder	1				
4	8040020845	Scr, SHS,FH,M5 x 10mm	2				
5	8030010559	Cyl,AirRty,20mm B,180 dgr Rot.	1				
6	9-2006793	Stop Block	1				
7	8040020532	Scr,SHC,M4 x 12mm	2				
8	8050220072	Universal Elbow, M5 x 0.8 Thd.	2				
9	8050170004	Hose Nipple, M5 x 0.8 Thd.	2				
10	8030110028	Tubing 3mm ID	1.5				
11	9-2006794	Tucker Mounting Block	1				
12	9-2006795	Tucker Blade	1				
13	8040020641	Scr,SHC,M4 x 10mm	1				



POCKET PLATE ASS'Y



**POCKET PLATE ASSEMBLY**

ITEM	PART NUMBER	DESCRIPTION	QTY	ITEM	PART NUMBER	DESCRIPTION	QTY
1	9-200	Pocket Plate	1				
2	9-2000032	Pocket Plate Connection	1				
3	8040040092	Washer, Split Lock M5	2				
4	8040010116	Nut, Hex, M5 x 0.8	2				
5	9-2000030	Spring ( Pocket Stop)	2				
6	9-2000	Pocket Stop, Left	1				
7	9-2000	Pocket Stop, Right	1				
8	8040010114	Nut, Knurled-High M3	4				
9	8040020650	SCR, Hx-Soc,Fl.Hd,M5x16mm	2				
10	8060090001	Tension Nut	2				
11	9-2000033	Stop	2				
12	8040040090	Washer, Flat M5	2				

## POCKET PLATE ASSEMBLY

P0	ASSY #	ITEM #1	ITEM #6	ITEM #7
P0001	2000100	2000101	2000036	2000037
P0002	2000149	2000148	2000036	2000037
P0003	2000173	2000081	2000131	2000132
P0004	2000204	2000106	2000131	2000132
P0005	2000246	2000178	2000131	2000132
P0006	2000224	2000162	2000131	2000132
P0009	2000266	2000190	2000036	2000037
P0010	2000274	2000210	2000131	2000132
P0011	2000026	2000009	2000131	2000132
P0012	2000093	2000013	2000028	2000029
P0013	2000255	2000234	2000036	2000037
P0014	2000287	2000286	2000131	2000132
P0015	2000289	2000288	2000131	2000132
P0016	2000283	2000282	2000036	2000037
P0017	2000285	2000284	2000036	2000037
P0018	2000291	2000290	2000131	2000132
P0019	2000293	2000292	2000131	2000132
P0020	2000497	2000498	2000131	2000132
P0021	2000499	2000500	2000028	2000029
P0022	2000411	2000412	2000131	2000132
P0023	2000501	2000502	2000131	2000132
P0024	2000503	2000504	2000131	2000132
P0025	2000523	2000524	2000131	2000132
P0026	2000295	2000294	2000131	2000132
P0027	2000362	2000361	2000036	2000037
P0028	2000602	2000603	2000131	2000132
P0028-9	2007469	2000603	2000036	2000132
P0029	2000604	2000605	2000607	2000608
P0029-9	2007251	2000605	2000028	2000608
P0030	2003281	2003280	2000028	2000029
P0030-1	2000505	2000506	2000028	2000029
P0030-9	2007252	2000506	2000131	2000029
P0032	2000428	2000429	2000131	2000132
P0033	2000430	2000431	2000131	2000132
P0034	2000432	2000433	2000131	2000132
P0035	2000434	2000435	2000131	2000132
P0036	2000609	2000610	2000036	2000037
P0037	2000611	2000612	2000036	2000037
P0038	2000669	2000670	2000607	2000608

Assembly #

Pocket plate

Pocket stop left

Pocket stop right

## POCKET PLATE ASSEMBLY

P0039	2000671	2000672	2000131	2000132
P0040	2000673	2000674	2000131	2000132
P0041	2000675	2000676	2000131	2000132
P0042	2005288	2000571	2000036	2000037
P0043	2000742	2000743	2000131	2000132
P0044	2000744	2000745	2000131	2000132
P0045	2000746	2000747	2000131	2000132
P0046	2000748	2000749	2000036	2000037
P0047	2000817	2000818	2000131	2000132
P0048	2000819	2000820	2000036	2000037
P0049	2000821	2000822	2000036	2000037
P0050	2000823	2000824	2000028	2000029
P0051	2000825	2000826	2000036	2000037
P0052	2000904	2000905	2000028	2000029
P0053	2000906	2000907	2000028	2000029
P0054	2001382	2000938	2000028	2000029
P0055	2000999	2001000	2000131	2000132
P0056	2000954	2000971	2000131	2000132
P0057	2000969	2000970	2000131	2000132
P0058	2000986	2000987	2000131	2000132
P0059	2001023	2001024	2000131	2000132
P0060	2001041	2001042	2000131	2000132
P0063	2001060	2001061	2000028	2000029
P0064	2001077	2001078	2000028	2000029
P0065	2001094	2001095	2000131	2000132
P0066	2001113	2001114	2000131	2000132
P0067	2001132	2001133	2000028	2000029
P0068	2001149	2001150	2000028	2000029
P0069	2004149	2004150	2000028	2000029
P0069-9	2007201	2004150	2000131	2000029
P0070	2001176	2001177	2000028	2000029
P0071	2001193	2001194	2000028	2000029
P0072	2001210	2001211	2000131	2000132
P0073	2001234	2001235	2000131	2000132
P0074	2001251	2001252	2000131	2000132
P0075	2001268	2001269	2000131	2000132
P0076	2001948	2001949	2000131	2000132
P0077	2001327	2001328	2000028	2000029
P0078	2001291	2001292	2000028	2000029
P0079	2001308	2001309	2000028	2000029

Assembly #

Pocket plate

Pocket stop left

Pocket stop right

## POCKET PLATE ASSEMBLY

P0080	2001345	2001346	2001390	
P0081	2001364	2001365	2000028	2000029
P0082	2001395	2001396	2000131	2000132
P0083	2001452	2001453	2000028	2000029
P0084	2001418	2001419	2000036	2000037
P0087	2001435	2001436	2000028	2000029
P0088	2001494	2001495	2000028	2000029
P0089	2001511	2001512	2000028	2000029
P0090	2001528	2001529	2000028	2000029
P0091	2001545	2001546	2000028	2000029
P0092	2001477	2001478	2000131	2000132
P0093	2001565	2001566	2000131	2000132
P0094	2001599	2001600	2000036	2000037
P0095	2001621	2001622	2000036	2000037
P0096	2001643	2001644	2000131	2000132
P0097	2001665	2001666	2000131	2000132
P0098	2001687	2001688	2000028	2000029
P0099	2001736	2001737	2000028	2000029
P0099A	2002838	2002381	2000028	2000029
P0100	2001758	2001759	2000028	2000029
P0100A	2002504	2002391	2000028	2000029
P0101	2001582	2001583	2000028	2000029
P0102	2001709	2001710	2000131	2000132
P0103	2001801	2001802	2000036	2000037
P0103-1	2004208	2004209	2000028	2000029
P0104	2001835	2001836	2000036	2000037
P0104-1	2004076	2004077	2000028	2000029
P0105	2001818	2001819	2000036	2000037
P0105-1	2004083	2004084	2000028	2000029
P0106	2001780	2001781	2000028	2000029
P0106A	2003367	2002558	2000028	2000029
P0107	2001875	2001876	2000131	2000132
P0108		2001849		
P0109	2001868	2001869	2000131	2000132
P0110	2001870	2001871	2000131	2000132
P0111	2002090	2002091	2000131	2000132
P0112	2001929	2001930	2000028	2000029
P0113	2001965	2001966	2000036	2000037
P0114	2002004	2002005	2000028	2000029
P0116	2001987	2001988	2000028	2000029

Assembly #

Pocket plate

Pocket stop left

Pocket stop right

## POCKET PLATE ASSEMBLY

P0117-1	2002058	2002059	2000036	2000037
P0118-1	2002024	2002025	2000028	2000029
P0119-1	2002041	2002042	2000028	2000029
P0120-1	2002075	2002076	2000036	2000037
P0121	2002112	2002113	2000028	2000029
P0122	2002162	2002163	2000028	2000029
P0123	2002145	2002146	2000028	2000029
P0124	2002179	2002180	2000028	2000029
P0125	2002196	2002197	2000028	2000029
P0126	2002213	2002214	2000028	2000029
P0127	2002278	2002279	2000028	2000029
P0128	2002239	2002240	2000028	2000029
P0129	2002259	2002260	2000131	2000132
P0131	2002395	2002396	2000028	2000029
P0132	2002316	2002317	2000028	2000029
P0132A	2002565	2002566	2000028	2000029
P0133	2002333	2002334	2000607	2000608
P0134	2002347	2002348	2000028	2000029
P0135	2002367	2002368	2000131	2000132
P0136	2002412	2002413	2000028	2000029
P0137	2002432	2002433	2000028	2000029
P0138	2002449	2002450	2000607	2000608
P0139	2002463	2002464	2000131	2000132
P0145	2002524	2002525	2000131	2000132
P0146	2002541	2002542	2000131	2000132
P0147	2002483	2002484	2000028	2000029
P0148	2002579	2002580	2000028	2000029
P0150	2002596	2002597	2000028	2000029
P0151	2002616	2002617	2000131	2000132
P0152	2002636	2002637	2000028	2000029
P0153	2002656	2002657	2000028	2000029
P0154	2002676	2002677	2000131	2000132
P0156	2002730	2002731	2000028	2000029
P0158	2002703	2002704	2000131	2000132
P0158-9	2007209	2002704	2000036	2000132
P0159	2002786	2002787	2000131	2000132
P0161	2002747	2002748	2000131	2000132
P0162	2003185	2003186	2000607	2000608
P0163	2002767	2002768	2000131	2000132
P0167	2002906	2002907	2000028	2000029

Assembly #

Pocket plate

Pocket stop left

Pocket stop right

**POCKET PLATE ASSEMBLY**

P0168	2002853	2002854	2000028	2000029
P0169	2002873	2002874	2000028	2000029
P0170	2002928	2002929	2000131	2000132
P0171	2002957	2002958	2000028	2000029
P0172	2002977	2002978	2000028	2000029
P0175	2003097	2003098	2000028	2000029
P0176	2003032	2002998	2000036	2000037
P0177	2003018	2003019	2000036	2000037
P0178	2003033	2003034	2000131	2000132
P0180	2003121	2003122	2000036	2000037
P0181	2003053	2003054	2000036	2000037
P0182	2003073	2003074	2000131	2000132
P0184	2003164	2003165	2000036	2000037
P0185	2003138	2003139	2000607	2000608
P0186	2003211	2003212	2000028	2000029
P0187	2003233	2003234	2000607	2000608
P0189	2003296	2003297	2000028	2000029
P0190	2003330	2003331	2000028	2000029
P0191	2003350	2003351	2000028	2000029
P0192	2003849	2003850	2000607	2000608
P0193	2003440	2003441	2000607	2000608
P0194	2003374	2003375	2000028	2000029
P0195	2003394	2003395	2000028	2000029
P0196	2003420	2003421	2000028	2000029
P0197	2003457	2003458	2000028	2000029
P0198	2003478	2003479	2000028	2000029
P0200	2003498	2003499	2000131	2000132
P0201	2003539	2003540	2000028	2000029
P0202	2003559	2003560	2000028	2000029
P0203	2003582	2003583	2000036	2000037
P0204	2003602	2003603	2000607	2000608
P0205	2003622	2003623	2000607	2000608
P0206	2003642	2003643	2000607	2000608
P0207	2003665	2003666	2000036	2000037
P0208	2003734	2003735	2000028	2000029
P0209	2004449	2004450	2000131	2000132
P0211	2003694	2003695	2000028	2000029
P0212	2003714	2003715	2000028	2000029
P0213	2003760	2003761	2000028	2000029
P0214	2003780	2003781	2000036	2000037

Assembly #

Pocket plate

Pocket stop left

Pocket stop right

## POCKET PLATE ASSEMBLY

P0216	2003797	2003798	2000028	2000029
P0217	2003819	2003820	2000028	2000029
P0218	2003914	2003915	2000131	2000132
P0219	2003892	2003893	2000036	2000037
P0221	2003934	2003935	2000131	2000132
P0222	2003965	2003966	2000131	2000132
P0227	2004008	2004009	2000036	2000037
P0228	2004094	2004095	2000131	2000132
P0229	2004056	2004057	2000607	2000608
P0230	2004036	2004037	2000028	2000029
P0234	2004694	2004695	2000028	2000029
P0234-9	2007848	2004695	2000131	2000029
P0236	2004129	2004130	2000028	2000029
P0237	2004169	2004170	2000028	2000029
P0238	2005500	2005501	2000131	2000132
P0238-9	2007265	2005501	2000036	2000132
P0239	2005520	2005521	2000028	2000029
P0239-9	2007268	2005521	2000131	2000029
P0240	2004192	2004193	2000131	2000132
P0241	2004217	2004218	2000028	2000029
P0242	2004237	2004238	2000028	2000029
P0243	2004257	2004258	2000028	2000029
P0244	2004286	2004287	2000607	2000608
P0245	2004326	2004327	2000028	2000029
P0246	2004346	2004347	2000028	2000029
P0257	2004392	2004393	2000028	2000029
P0260	2004412	2004413	2000028	2000029
P0261	2005027	2005028	2000607	2000608
P0262	2004622	2004623	2000607	2000608
P0263	2004715	2004716	2000036	2000037
P0264	2004779	2004780	2000036	2000037
P0265	2004797	2004798	2000131	2000132
P0266	2004817	2004818	2000028	2000029
P0268	2009508	2009509	2000131	2000132
P0271	2004863	2004864	2000131	2000132
P0272	2004902	2004903	2000131	2000132
P0273	2004922	2004923	2000028	2000029
P0274	2004943	2004944	2000131	2000132
P0276	2004843	2004844	2000028	2000029
P0277	2004963	2004964	2000607	2000608

Assembly #

Pocket plate

Pocket stop left

Pocket stop right

**POCKET PLATE ASSEMBLY**

P0278	2004882	2004883	2000028	2000029
P0280	2004983	2004984	2000028	2000029
P0281	2005003	2005004	2000028	2000029
P0283	2005084	2005085	2000028	2000029
P0284	2005108	2005109	2000131	2000132
P0285	2005158	2005159	2000131	2000132
P0291	2005062	2005063	2000028	2000029
P0292	2005182	2005183	2000028	2000029
P0293	2005202	2005203	2000607	2000608
P0295	2005226	2005227	2000028	2000029
P0296	2005280	2005281	2000028	2000029
P0297	2005264	2005265	2000607	2000608
P0298	2005362	2005363	2000028	2000029
P0299	2005382	2005383	2000028	2000029
P0300	2005340	2005341	2000028	2000029
P0301	2005402	2005403	2000028	2000029
P0302	2005422	2005423	2000028	2000029
P0305	2005442	2005443	2000028	2000029
P0307	2005462	2005463	2005464	
P0308	2005480	2005481	2000028	2000029
P0311	2005840	2005841	2000607	2000608
P0312	2005551	2005552	2000607	2000608
P0313	2005571	2005572	2000607	2000608
P0314	2008033	2008034	2000036	2000037
P0315	2005595	2005596	2000028	2000029
P0316	2005616	2005617	2000028	2000029
P0317	2005637	2005638	2000028	2000029
P0318	2005657	2005658	2000028	2000029
P0320	2005718	2005719	2000028	2000029
P0321	2005738	2005739	2000028	2000029
P0322	2005698	2005699	2000131	2000132
P0324	2005763	2005764	2000028	2000029
P0325	2005785	2005786	2000028	2000029
P0326	2005807	2005808	2000028	2000029
P0333	2006000	2006001	2000607	2000608
P0333-9	2006802	2006001	2000028	2000608
P0334	2005930	2005931	2000028	2000029
P0335	2005952	2005953	2000131	2000132
P0337	2005976	2005977	2000028	2000029
P0339	2006020	2006021	2000028	2000029

Assembly #                      Pocket plate                      Pocket stop left                      Pocket stop right



**POCKET PLATE ASSEMBLY**

P0340	2006040	2006041	2000028	2000029
P0341	2006060	2006061	2000607	2000608
P0342	2006106	2006107	2000028	2000029
P0343	2006086	2006087	2000131	2000132
P0343	2006086	2006087	2000131	2000132
P0344	2006126	2006127	2000036	2000037
P0345	2006147	2006148	2000131	2000132
P0346	2006163	2006164	2000028	2000029
P0347	2006179	2006180	2000131	2000132
P0348	2006200	2006201	2000036	2000037
P0349	2006246	2006247	2000028	2000029
P0350	2006266	2006267	2000028	2000029
P0351	2006286	2006287	2000028	2000029
P0352	2006309	2006310	2000028	2000029
P0355	2006378	2006379	2000028	2000029
P0356	2006396	2006397	2000028	2000029
P0357	2006414	2006415	2000131	2000132
P0358	2006444	2006445	2000028	2000029
P0359	2006464	2006465	2000028	2000029
P0360	2006484	2006485	2000028	2000029
P0361	2006504	2006505	2006506	
P0363	2006626	2006627	2000028	2000029
P0364	2006609	2006610	2000607	2000608
P0365	2006659	2006660	2000131	2000132
P0366	2006681	2006682	2000131	2000132
P0367	2006704	2006705	2000036	2000037
P0368	2006726	2006727	2000131	2000132
P0369	2006748	2006749	2000028	2000029
P0370	2006768	2006769	2000131	2000132
P0371	2006929	2006930	2000607	2000608
P0372	2006827	2006828	2000028	2000029
P0373	2006803	2006804	2000131	2000132
P0374	2006889	2006890	2000028	2000029
P0375	2006909	2006910	2000028	2000029
P0376	2006847	2006848	2000028	2000029
P0377	2006867	2006868	2000607	2000608
P0378	2006956	2006957	2000028	2000029
P0379	2006976	2006977	2000028	2000029
P0380-9	2007003	2007004	2000131	2000029
P0382	2007085	2007086	2000607	2000608

Assembly #      Pocket plate      Pocket stop left      Pocket stop right

## POCKET PLATE ASSEMBLY

P0383	2007107	2007108	2000028	2000029
P0384	2007026	2007027	2000028	2000029
P0385	2007045	2007046	2000028	2000029
P0386	2007064	2007065	2000607	2000608
P0387	2007127	2007128	2000028	2000029
P0388	2007147	2007148	2000028	2000029
P0389	2007171	2007172	2000131	2000132
P0395	2007218	2007219	2000028	2000029
P0396	2007386	2007387	2000028	2000029
P0397	2007354	2007355	2000028	2000029
P0398	2007273	2007274	2000131	2000132
P0399	2007334	2007335	2000028	2000029
P0400	2007294	2007295	2000028	2000029
P0401	2007314	2007315	2000028	2000029
P0402	2007409	2007410	2000131	2000132
P0403	2007445	2007446	2000131	2000132
P0404	2007447	2007448	2000028	2000029
P0405	2007550	2007551	2000028	2000029
P0406	2007510	2007511	2000028	2000029
P0407	2007530	2007531	2000028	2000029
P0408	2007477	2007478	2000131	2000132
P0409	2007493	2007494	2000131	2000132
P0413	2007629	2007630	2000028	2000029
P0415	2007590	2007591	2000131	2000132
P0416	2007610	2007611	2000028	2000029
P0417	2007655	2007656	2000028	2000029
P0418	2007675	2007676	2000028	2000029
P0419	2007695	2007696	2000028	2000029
P0420	2007715	2007716	2000028	2000029
P0421	2007735	2007736	2000607	2000608
P0422	2007755	2007756	2000607	2000608
P0426	2007826	2007827	2000036	2000132
P0427	2007908	2007909	2000607	2000608
P0429	2007877	2007878	2000028	2000029
P0434	2007928	2007929	2000607	2000037
P0437	2007991	2007992	2000131	2000132
P0438	2008055	2008056	2000131	2000132
P0440	2008104	2008105	2000028	2000029
P0441	2008131	2008132	2000131	2000132
P0442	2008215	2008216	2000028	2000029

Assembly #

Pocket plate

Pocket stop left

Pocket stop right

## POCKET PLATE ASSEMBLY

P0456	2008235	2008236	2000607	2000608
P0457	2008253	2008254	2000607	2000608
P0458	2008389	2008390	2000607	2000608
P0459	2008367	2008368	2000607	2000608
P0460	2008769	2008770	2000028	2000029
P0461	2008409	2008410	2000028	2000029
P0463	2008438	2008439	2000028	2000029
P0466	2008530	2008531	2000028	2000037
P0467	2008489	2008490	2000036	2000037
P0468	2008550	2008551	2000028	2000029
P0469	2008594	2008595	2000028	2000029
P0470	2008590	2008591	2000131	2000608
P0471	2008636	2008637	2000028	2000029
P0472	2008612	2008613	2000028	2000029
P0473	2008656	2008657	2000028	2000029
P0474	2008678	2008679	2000131	2000132
P0475	2008698	2008699	2000028	2000029
P0477	2008720	2008721	2000607	2000608
P0480	2008792	2008793	2000607	2000608
P0481	2008748	2008749	2000607	2000608
P0482	2008815	2008816	2000131	2000132
P0484	2008843	2008844	2000028	2000029
P0485	2008860	2008861	2000028	2000029
P0489	2008905	2008906	2000028	2000029
P0490	2008917	2008918	2000028	2000029
P0491	2008929	2008930	2000028	2000029
P0492	2008977	2008978	2000131	2000132
P0496	2008997	2008998	2009019	2009020
P0497	2009025	2009026	2000131	2000132
P0498	2009045	2009046	2000131	2000132
P0499	2009065	2009066	2000131	2000132
P0501	2009114	2009115	2000028	2000029
P0502	2009134	2009135	2000607	2000608
P0503	2009154	2009155	2000028	2000029
P0504	2009174	2009175	2000028	2000029
P0508	2009235	2009236	2000028	2000029
P0509	2009255	2009256	2000028	2000029
P0510	2009279	2009280	2000028	2000029
P0511	2009299	2009300	2000028	2000029
P0516	2009422	2009423	2000131	2000132

Assembly #

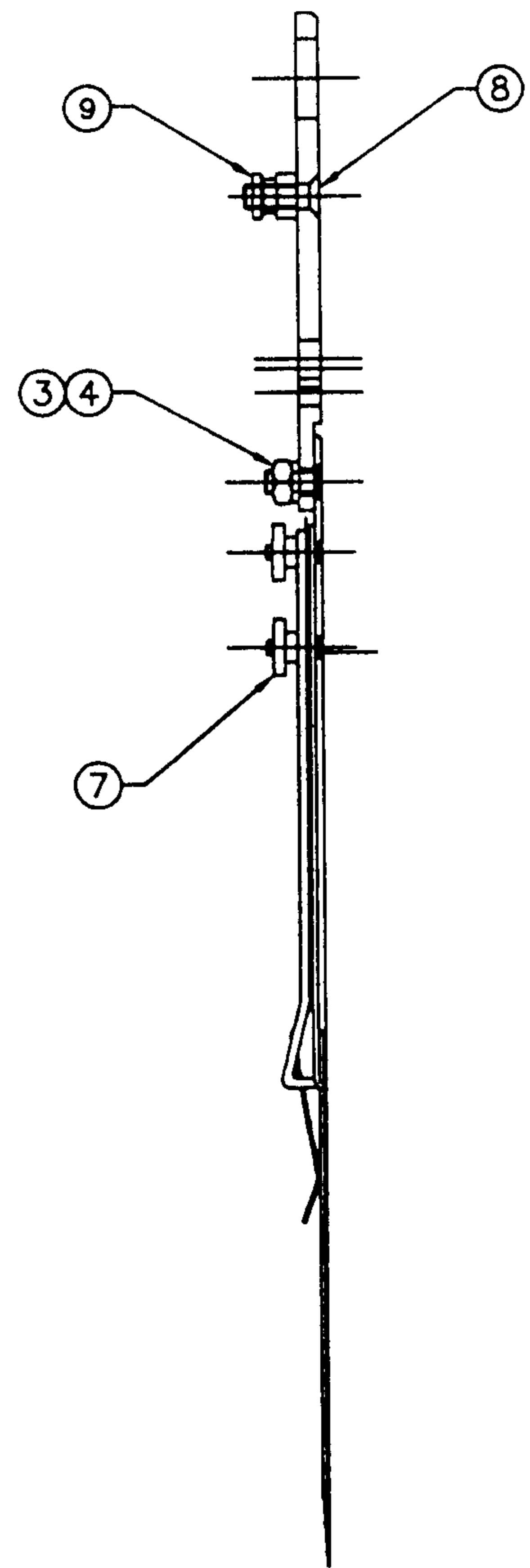
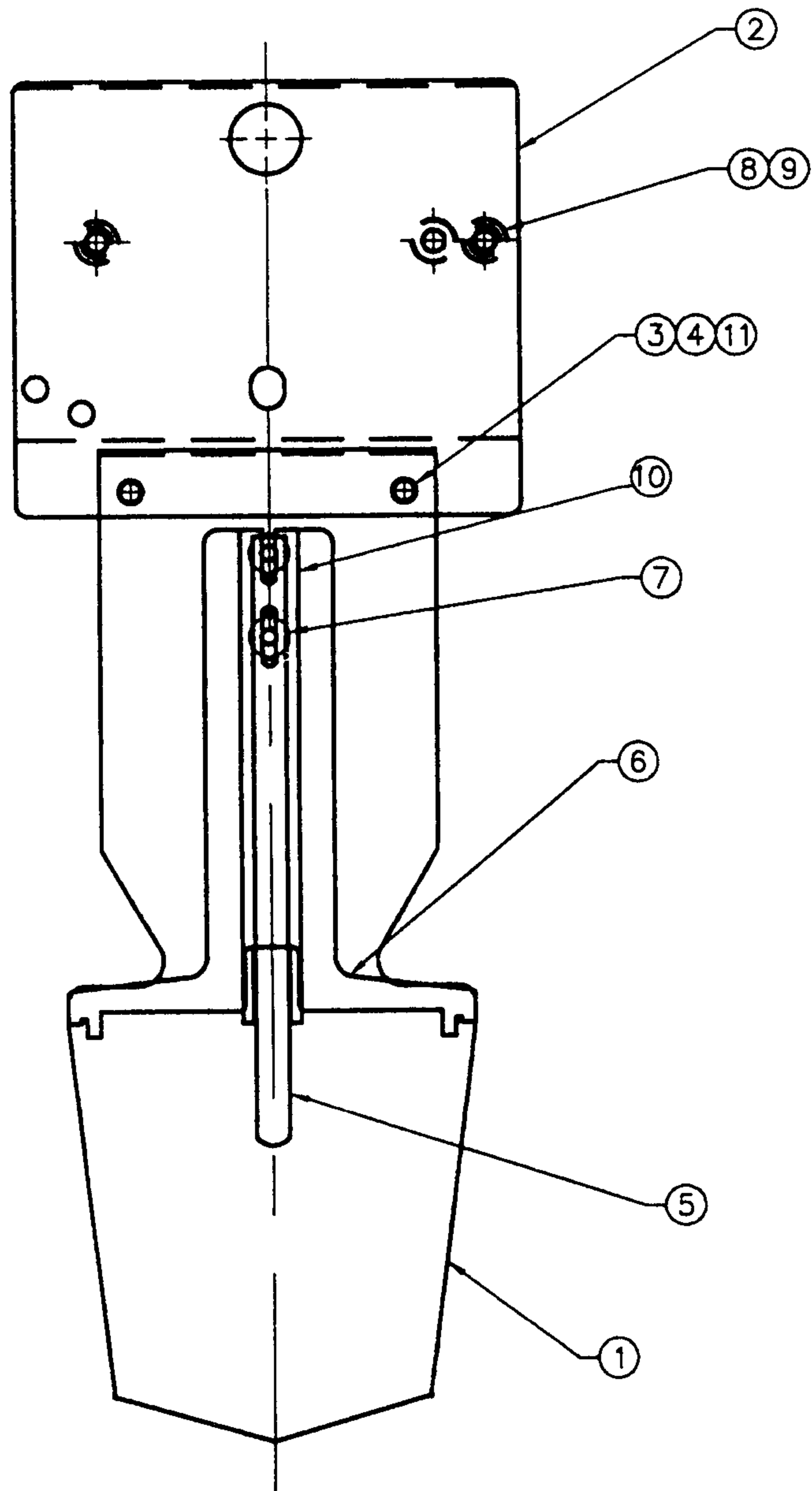
Pocket plate

Pocket stop left

Pocket stop right







WATCH POCKET PLATE

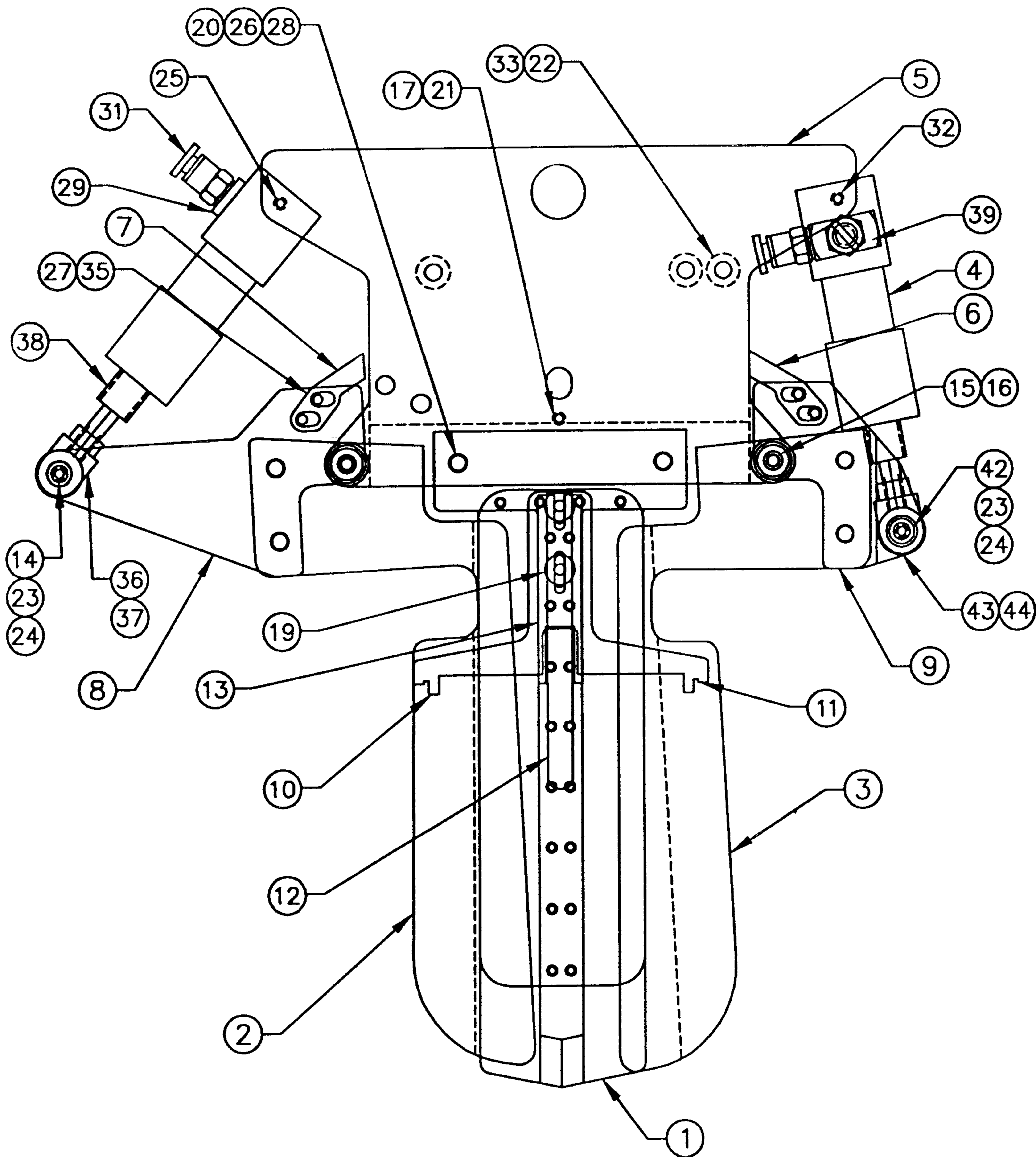
WATCH POCKET PLATE ASSEMBLY

ITEM	PART NUMBER	DESCRIPTION	QTY	ITEM	PART NUMBER	DESCRIPTION	QTY
1	9-200	Pocket Plate	1				
2	9-2000032	Pocket Plate Connection	1				
3	8040040092	Washer, Split Lock, M5	2				
4	8040010116	Nut, Hex, M5 x 0.8	2				
5	9-2004388	Spring, Pocket Stop	1				
6	9-2000	Pocket Stop	1				
7	8040010114	Nut, Knurled-High M3	2or4				
8	8040020650	Scr, SHS, FH, M5 x 16mm	2				
9	8060090001	Tension Nut	2				
10	9-2004387	Stop	1				
11	8040040090	Washer, Flat, M5	2				









NOTE:  
ITEMS NOT SHOWN

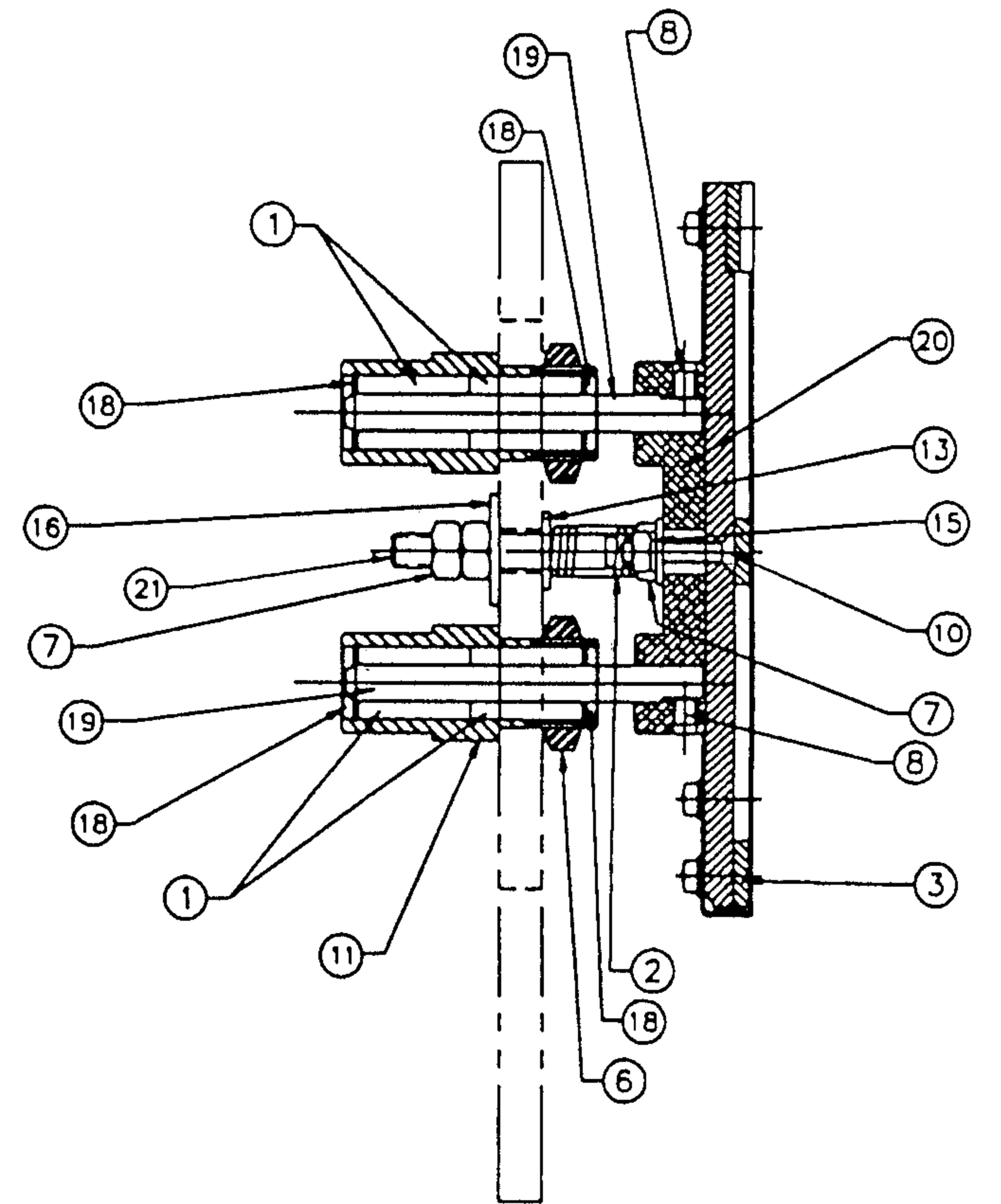
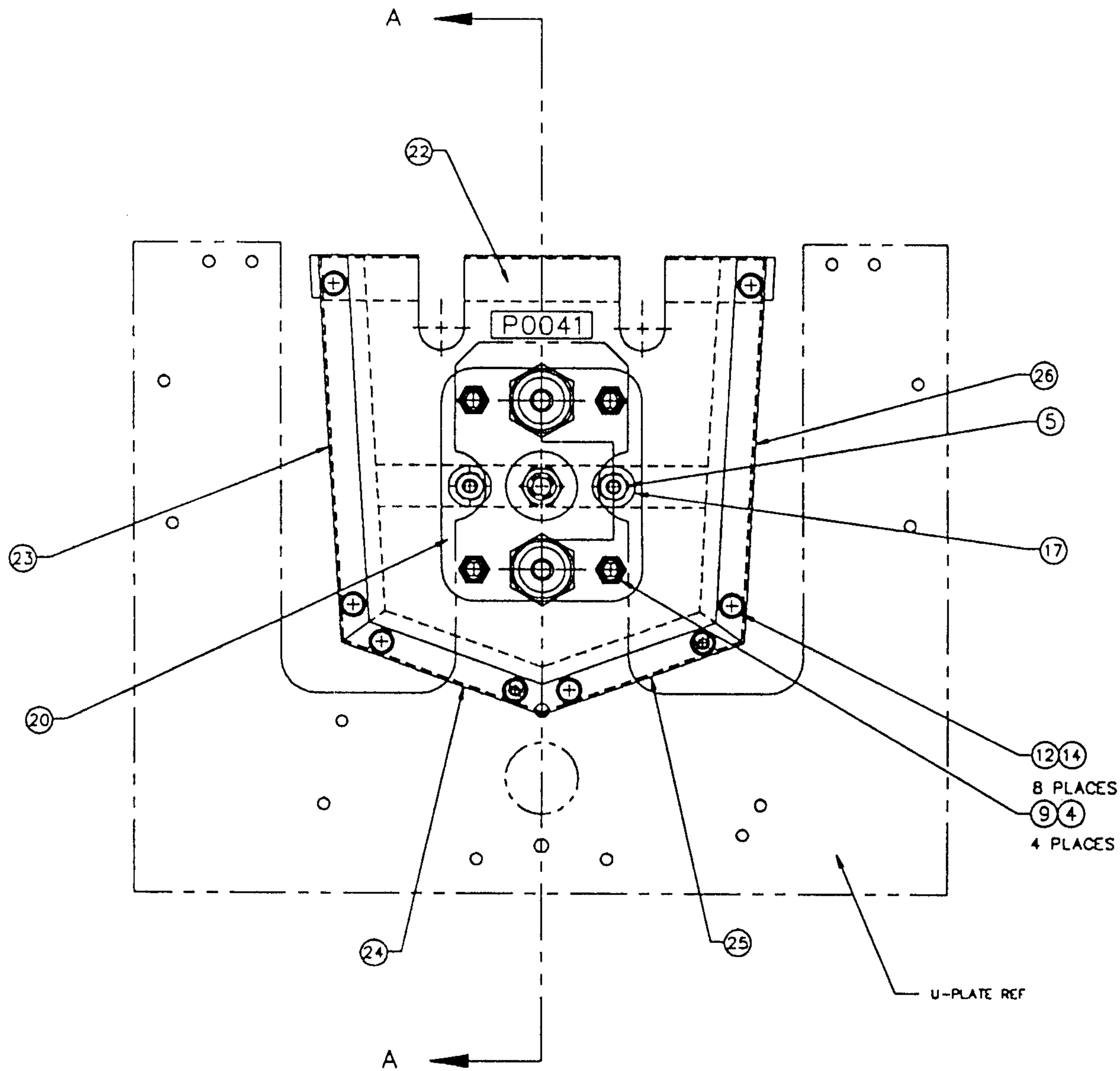
- |                      |       |
|----------------------|-------|
| (18) TUBING          | 8 FT  |
| (30) "T" QUICK CONN  | 2 EA. |
| (34) "Y" QUICK CONN  | 2 EA. |
| (40) M4 x 25mm, SHCS | 2 EA. |
| (41) M4 NUT          | 2 EA. |

**POCKET PLATE ASSEMBLY  
COLLAPSABLE**

ITEM	PART NUMBER	DESCRIPTION	QTY
1	9-200	Center Blade	1
2	9-200	Left Blade	1
3	9-200	Right Blade	1
4	9-200	Modified Cylinder (R-Side)	1
5	9-2004437	Pocket Plate Connection	1
6	9-2004434	Top Right Tab	1
7	9-2004435	Top Left Tab	1
8	9-2004772	Left Arm	1
9	9-2004433	Right Arm	1
10	9-200	Pocket Stop (Left)	1
11	9-200	Pocket Stop (Right)	1
12	9-2000030	Spring	2
13	9-2000033	Stop	2
14	9-2002894	Pin	1
15	9-2002896	Pivot Pin	2
16	8010040333	Brg, American Sleeve	2
17	8020110008	Nylon Cable Clamp	1
18	8030110020	Tubing	8 FT
19	8040010114	Knurled Nut	4
20	8040010116	M5 Nut	6
21	8040020531	M4 x 8mm, SHCS	1
22	8040020650	M5 x 16mm, FL.HD.	2
23	8040020769	M5 x 8mm, FL.HD.	2
24	8040020770	M4 x 5mm, Slit.Pan Hd.	4
25	9-2006374	Modified Shoulder Screw	1
26	8040040090	M5 Washer	6
27	8040040091	M4 Lock Washer	4
28	8040040092	M5 Lock Washer	6
29	8050090018	Bushing, Reducer	4
30	8050220121	"T" Connection, Quick Conn.	2
31	8050220120	Quick Conn, Straight	4
32	8040020903	Shoulder Screw	1
33	8060090001	Tension Nut	2
34	8050220122	"Y" Connection, Quick Conn.	2
35	8040020648	M4 x 6mm, BH	4
36	9-2004732	Rod End	1
37	7734053200	M6 x 1.0, Nut	1
38	9-200	Modified Cylinder (L-Side)	1
39	8050220072	Universal Elbow	2
40	8040020880	M4 x 30mm. SHCS	2
41	8040010115	M4 Nut	2
42	9-2006439	Pin	1
43	9-2006438	Rod End	1
44	8040010118	M8 Nut	1







POCKET HOLDER ASS'Y  
 (SPADE POCKETS)

**POCKET HOLDER ASSEMBLY  
SPADE**

ITEM	PART NUMBER	DESCRIPTION	QTY	ITEM	PART NUMBER	DESCRIPTION	QTY
1	8010040295	Bushing, Linear Ball, 8mm lg.	4	20	9-200	Pocket Mounting Plate	1
2	8010120073	Compression Spring	1	21	9-2000065	Threaded Stud	1
3	8010360736	Tape, Tesamoll	3	22	9-200	Pocket Holder	1
4	8040010115	Nut, Hex, M4 x 0.7	4	23	9-200	Angle Bracket, Upper Left	1
5	8040010116	Nut, Hex, M5 x 0.8	2	24	9-200	Angle Bracket, Lower Left	1
6	8040010117	Nut, Hex, Thin M20 x 1.5	2	25	9-200	Angle Bracket, Lower Right	1
7	8040010118	Nut, Hex, M8 x 1.25	3	26	9-200	Angle Bracket, Upper Right	1
8	8040020636	Sc, Hx-Soc. Set, Fl. Pt. M5 x 6mm	2				
9	8040020645	Sc, Hx-Soc, Cap, M4 x 16mm	4			<b>**NOT SHOWN**</b>	
10	8040020651	Sc, Hx-Soc. Fl. Hd., M5 x 25mm	2				
11	8060090006	Guide Bushing	2		9-2004743	Assy, Mounting Plate	1
12	8040020653	Sc, Hx-Hd, Cap, M4 x 6mm	8				
13	7735120200	Washer, Flat, 8mm	1				
14	8040040088	Washer, Flat, 4mm	8				
15	8040040092	Washer, Split Lock, M5	2				
16	8040040093	Washer, Flat, Oversized OD, M8	1				
17	8040040095	Washer, Flat, Oversized OD, M5	2				
18	8040060043	Ret. Ring, Internal, .625 Hsng Dia.	4				
19	9-2000064	Pin, 8mm dia x 80 mm lg	2				

**POCKET HOLDER ASSEMBLY  
SPADE**

<b>P0</b>	<b>ASSY #</b>	<b>ITEM #20</b>	<b>ITEM #22</b>	<b>ITEM #23</b>	<b>ITEM #24</b>	<b>ITEM #25</b>	<b>ITEM #26</b>
P0003	2000172	2000067	2000083	2000084	2000085	2000086	2000087
P0004	2000203	2000067	2000108	2000109	2000110	2000111	2000112
P0011	2000068	2000067	2000004	2000005	2000006	2000007	2000008
P0012	2000092	2000067	2000014	2000015	2000016	2000017	2000018
P0014	2000322	2000067	2000316	2000317	2000318	2000319	2000320
P0015	2000334	2000067	2000335	2000336	2000337	2000338	2000339
P0016	2000302	2000067	2000296	2000297	2000298	2000299	2000300
P0017	2000315	2000067	2000309	2000310	2000311	2000312	2000313
P0018	2000363	2000067	2000364	2000365	2000366	2000367	2000368
P0019	2000370	2000067	2000371	2000372	2000373	2000374	2000375
P0020	2000507	2000067	2000508	2000509	2000510	2000511	2000512
P0021	2000525	2000067	2000526	2000527	2000528	2000529	2000530
P0022	2000413	2000067	2000414	2000415	2000416	2000417	2000418
P0023	2000563	2000281	2000564	2000565	2000566	2000567	2000568
P0024	2000570	2000067	2000532	2000533	2000534	2000535	2000536
P0025	2000538	2000067	2000539	2000540	2000541	2000542	2000543
P0026	2000377	2000281	2000378	2000379	2000380	2000381	2000382
P0028	2000637	2000067	2000638	2000639	2000640	2000641	2000642
P0028-9	2001282	2000067	2001283	2000639	2000640	2000641	2000642
P0029	2000644	2000067	2000645	2000646	2000647	2000648	2000649
P0029-9	2001284	2000067	2001285	2000646	2000647	2000648	2000649
P0030	2000545	2000067	2000546	2000547	2000548	2000549	2000550
P0030-9	2001286	2000067	2001287	2000547	2000548	2000549	2000550
P0032	2000448	2000067	2000449	2000450	2000451	2000452	2000453
P0033	2000455	2000067	2000456	2000457	2000458	2000459	2000460
P0034	2000462	2000067	2000463	2000464	2000465	2000466	2000467
P0035	2000479	2000067	2000480	2000481	2000482	2000483	2000484
P0040	2000695	2000067	2000696	2000697	2000698	2000699	2000700
P0041	2000711	2000067	2000712	2000713	2000714	2000715	2000716
P0043	2000763	2000067	2000764	2000765	2000766	2000767	2000768
P0044	2000770	2000067	2000771	2000772	2000773	2000774	2000775

	Assembly #	Pocket holder mounting plate	Pocket holder	Angle blade upper left	Angle blade lower left	Angle blade lower right	Angle blade lower left
--	------------	------------------------------	---------------	------------------------	------------------------	-------------------------	------------------------



**POCKET HOLDER ASSEMBLY  
SPADE**

P0045	2000777	2000067	2000778	2000779	2000780	2000781	2000782
P0047	2000844	2000067	2000845	2000846	2000847	2000848	2000849
P0048	2000851	2000281	2000852	2000853	2000854	2000855	2000856
P0049	2000858	2000281	2000859	2000860	2000861	2000862	2000863
P0050	2000865	2000067	2000866	2000867	2000868	2000869	2000870
P0051	2000872	2000067	2000873	2000874	2000875	2000876	2000877
P0052	2000914	2000067	2000915	2000916	2000917	2000918	2000919
P0053	2000921	2000067	2000922	2000923	2000924	2000925	2000926
P0055	2001001	2000067	2001002	2001003	2001004	2001005	2001006
P0056	2000960	2000067	2000961	2000962	2000963	2000964	2000965
P0056-9	2001915	2000067	2001916	2000962	2000963	2000964	2000965
P0057	2000977	2000067	2000978	2000979	2000980	2000981	2000982
P0058	2000993	2000067	2000994	2000995	2000996	2000997	2000998
P0058-9	2001908	2000067	2001909	2000995	2000996	2000997	2000998
P0059	2001030	2000067	2001031	200103	2001034	2001035	2001036
P0060	2001043	2000067	2001044	2001046	2001047	2001048	2001049
P0063	2001062	2000067	2001063	2001065	2001066	2001067	2001068
P0064	2001079	2000067	2001080	2001082	2001083	2001084	2001085
P0067	2001134	2000067	2001135	2001137	2001138	2001139	2001140
P0068	2001157	2000067	2001152	2001154	2001155	2001156	2001157
P0069	2004151	2000067	2004152	2004154	2004155	2004156	2004157
P0070	2001178	2000067	2001179	2001181	2001182	2001183	2001184
P0071	2001195	2000067	2001196	2001198	2001199	2001200	2001201
P0072	2001212	2000281	2001213	2001215	2001216	2001217	2001218
P0073	2001236	2000281	2001237	2001239	2001240	2001241	2001242
P0074	2001253	2000281	2001254	2001256	2001257	2001258	2001259
P0075	2001270	2000067	2001271	2001273	2001274	2001275	2001276
P0076	2001950	2000067	2001951	2001952	2001953	2001954	2001955
P0077	2001329	2000067	2001330	2001332	2001333	2001334	2001335
P0078	2001293	2000067	2001294	2001296	2001297	2001298	2001299
P0079	2001310	2000067	2001311	2001313	2001314	2001315	2001316
P0082	2001397	2000281	2001398	2001400	2001401	2001402	2001403

Assembly #	Pocket holder mounting plate	Pocket holder	Angle blade upper left	Angle blade lower left	Angle blade lower right	Angle blade lower left
------------	---------------------------------	---------------	---------------------------	---------------------------	----------------------------	---------------------------

**POCKET HOLDER ASSEMBLY  
SPADE**

P0084	2001420	2000067	2001421	2001423	2001424	2001425	2001426
P0087	2001437	2000067	2001438	2001440	2001441	2001442	2001443
P0088	2001496	2000067	2001497	2001499	2001500	2001501	2001502
P0089	2001513	2000067	2001514	2001516	2001517	2001518	2001519
P0090	2001530	2000067	2001531	2001533	2001534	2001535	2001536
P0091	2001547	2000067	2001548	2001550	2001551	2001552	2001553
P0092	2001479	2000281	2001480	2001482	2001483	2001484	2001485
P0093	2001567	2000067	2001568	2001570	2001571	2001572	2001573
P0101	2001584	2000067	2001585	2001587	2001588	2001589	2001590
P0102	2001711	2000281	2001712	2001714	2001715	2001716	2001717
P0103	2001803	2000067	2001804	2001806	2001807	2001808	2001809
P0103-1	2004210	2000067	2004211	2001806	2001807	2001808	2001809
P0104	2001837	2000067	2001838	2001840	2001841	2001842	2001843
P0104-1	2004078	2000067	2004079	2001840	2001841	2001842	2001843
P0105	2001820	2000067	2001821	2001823	2001824	2001825	2001826
P0105-1	2004085	2000067	2004086	2001823	2001824	2001825	2001826
P0106	2001782	2000067	2001783	2001785	2001786	2001787	2001788
P0107	2001877	2000067	2001878	2001880	2001881	2001882	2001883
P0111	2002092	2000067	2002093	2002094	2002095	2002096	2002097
P0112	2001931	2000067	2001932	2001934	2001935	2001936	2001937
P0114	2002009	2000067	2002010	2002011	2002012	2002013	2002014
P0116	2001992	2000067	2001993	2001995	2001996	2001997	2001998
P0118-1	2002026	2000067	2002027	2002029	2002030	2002031	2002032
P0119-1	2002043	2000067	2002044	2002046	2002047	2002048	2002049
P0120-1	2002077	2000067	2002078	2002080	2002081	2002082	2002083
P0121	2002114	2000067	2002115	2002117	2002118	2002119	2002120
P0122	2002164	2000067	2002165	2002167	2002168	2002169	2002170
P0123	2002147	2000067	2002148	2002150	2002151	2002152	2002153
P0124	2002181	2000067	2002182	2002184	2002185	2002186	2002187
P0125	2002198	2000067	2002199	2002201	2002202	2002203	2002204
P0126	2002215	2000067	2002216	2002218	2002219	2002220	2002221
P0127	2002280	2000067	2002281	2002283	2002284	2002285	2002286

Assembly #	Pocket holder mounting plate	Pocket holder	Angle blade upper left	Angle blade lower left	Angle blade lower right	Angle blade lower left
------------	---------------------------------	---------------	---------------------------	---------------------------	----------------------------	---------------------------

**POCKET HOLDER ASSEMBLY  
SPADE**

P0128	2002241	2000067	2002242	2002244	2002245	2002246	2002247
P0129	2002261	2000067	2002262	2002264	2002265	2002266	2002267
P0131	2002397	2000067	2002398	2002400	2002401	2002402	2002403
P0132	2002318	2000067	2002319	2002321	2002322	2002323	2002324
P0132A	2002567	2000067	2002568	2002570	2002571	2002572	2002573
P0133	2002335	2000067	2002336	2002338	2002339	2002340	2002341
P0134	2002352	2000067	2002353	2002354	2002355	2002356	2002357
P0135	2002369	2000281	2002370	2002372	2002373	2002374	2002375
P0138	2002451	2000067	2002452	2002454	2002455	2002456	2002457
P0139	2002465	2000067	2002466	2002467	2002468	2002469	2002470
P0145	2002529	2000067	2002530	2002532	2002533	2002534	2002535
P0146	2002546	2000281	2002547	2002549	2002550	2002551	2002552
P0148	2002584	2000067	2002585	2002587	2002588	2002589	2002590
P0150	2002601	2000067	2002602	2002604	2002605	2002606	2002607
P0151	2002621	2000067	2002622	2002624	2002625	2002626	2002627
P0152	2002641	2000067	2002642	2002644	2002645	2002646	2002647
P0153	2002661	2000067	2002662	2002664	2002665	2002666	2002667
P0154	2002681	2000067	2002682	2002684	2002685	2002686	2002687
P0156	2002732	2000067	2002733	2002735	2002736	2002737	2002738
P0158	2002708	2000067	2002709	2002711	2002712	2002713	2002714
P0161	2002749	2000281	2002750	2002752	2002753	2002754	2002755
P0168	2002858	2000067	2002859	2002861	2002862	2002863	2002864
P0169	2002879	2000067	2002879	2002881	2002882	2002883	2002884
P0171	2002962	2000067	2002963	2002965	2002966	2002967	2002968
P0172	2002982	2000067	2002983	2002985	2002986	2002987	2002988
P0175	2003102	2000067	2003103	2003105	2003106	2003107	2003108
P0178	2003138	2000281	2003039	2003041	2003042	2003043	2003044
P0181	2003058	2000067	2003059	2003061	2003062	2003063	2003064
P0185	2003143	2000067	2003144	2003146	2003147	2003148	2003149
P0186	2003213	2000067	2003214	2003216	2003217	2003218	2003219
P0187	2003235	2000067	2003259	2003237	2003238	2003239	2003240
P0189	2003301	2000067	2003315	2003303	2003304	2003305	2003306

Assembly #	Pocket holder mounting plate	Pocket holder	Angle blade upper left	Angle blade lower left	Angle blade lower right	Angle blade lower left
------------	---------------------------------	---------------	---------------------------	---------------------------	----------------------------	---------------------------

**POCKET HOLDER ASSEMBLY  
SPADE**

P0190	2003332	2000067	2003333	2003335	2003336	2003337	2003338
P0191	2003352	2000067	2003353	2003355	2003356	2003357	2003358
P0194	2003376	2000067	2003377	2003379	2003380	2003381	2003382
P0195	2003396	2000067	2003397	2003402	2003401	2003400	2003399
P0196	2003422	2000067	2003423	2003425	2003426	2003427	2003428
P0197	2003459	2000067	2003460	2003462	2003463	2003464	2003465
P0198	2003483	2000067	2003484	2003486	2003487	2003488	2003489
P0201	2003541	2000067	2003542	2003544	2003545	2003546	2003547
P0202	2003561	2000067	2003562	2003564	2003565	2003566	2003567
P0203	2003584	2000281	2003585	2003587	2003588	2003589	2003590
P0204	2003604	2000067	2003605	2003607	2003608	2003609	2003610
P0205	2003624	2000067	2003625	2003627	2003628	2003629	2003630
P0206	2003644	2000067	2003645	2003647	2003648	2003649	2003650
P0207	2003668	2000281	2003667	2003670	2003671	2003672	2003684
P0208	2003736	2000067	2003737	2003739	2003740	2003741	2003742
P0209	2004451	2000281	2004452	2004454	2004455	2004456	2004457
P0211	2003696	2000067	2003697	2003699	2003700	2003701	2003702
P0212	2003716	2000067	2003717	2003719	2003720	2003721	2003722
P0213	2003762	2000067	2003763	2003765	2003766	2003767	2003768
P0214	2003782	2000281	2003783	2003785	2003786	2003787	2003788
P0218	2003916	2000067	2003917	2003919	2003920	2003921	2003922
P0221	2003936	2000067	2003937	2003939	2003940	2003941	2003942
P0222	2003967	2000067	2003968	2003970	2003971	2003972	2003973
P0226	2003987	2000281	2003988	2003990	2003991	2003992	2003993
P0227	2004010	2000281	2004011	2004013	2004014	2004015	2004016
P0229	2004058	2000067	2004059	2004061	2004062	2004063	2004064
P0230	2004038	2000067	2004039	2004041	2004042	2004043	2004044
P0234	2004696	2000067	2004697	2004699	2004700	2004701	2004702
P0236	2004131	2000067	2004132	2004134	2004135	2004136	2004137
P0237	2004171	2000067	2004172	2004174	2004175	2004176	2004177
P0238	2005505	2000281	2005506	2005508	2005509	2005510	2005511
P0239	2005525	2000067	2005526	2005528	2005529	2005530	2005531

Assembly #	Pocket holder mounting plate	Pocket holder	Angle blade upper left	Angle blade lower left	Angle blade lower right	Angle blade lower left
------------	---------------------------------	---------------	---------------------------	---------------------------	----------------------------	---------------------------

**POCKET HOLDER ASSEMBLY  
SPADE**

P0241	2004219	2000067	2004220	2004222	2004223	2004224	2004225
P0242	2004239	2000067	2004240	2004242	2004243	2004244	2004245
P0243	2004259	2000067	2004260	2004262	2004263	2004264	2004265
P0244	2004288	2000067	2004289	2004291	2004292	2004293	2004294
P0245	2004328	2000067	2004329	2004331	2004332	2004333	2004334
P0246	2004348	2000067	2004349	2004351	2004352	2004353	2004354
P0247	2005309	2000281	2005310	2005312	2005313	2005314	2005315
P0248	2004374	2001391	2004375	2004377	2004378	2004379	2004380
P0257	2004394	2000067	2004395	2004397	2004398	2004399	2004400
P0260	2004414	2000067	2004415	2004417	2004418	2004419	2004420
P0261	2005029	2000067	2005030	2005032	2005033	2005034	2005035
P0263	2004717	2000281	2004718	2004720	2004721	2004722	2004723
P0264	2004781	2000281	2004782	2004784	2004785	2004786	2004787
P0265	2004799	2000067	2004800	2004802	2004803	2004804	2004805
P0266	2004819	2000067	2004820	2004822	2004823	2004824	2004825
P0268	2009513	2000281	2009514	2009516	2009517	2009518	2009519
P0271	2004865	2000067	2004939	2004867	2004868	2004869	2004870
P0272	2004904	2000067	2004905	2004907	2004908	2004909	2004910
P0273	2004924	2000067	2004925	2004927	2004928	2004929	2004930
P0276	2004845	2000067	2004846	2004848	2004849	2004850	2004851
P0277	2004965	2000067	2004966	2004968	2004969	2004970	2004971
P0278	2004884	2000067	2004885	2004887	2004891	2004892	2004888
P0280	2004985	2000067	2004986	2004988	2004989	2004990	2004991
P0281	2005005	2000067	2005006	2005008	2005009	2005010	2005011
P0285	2005160	2000067	2005161	2005163	2005164	2005165	2005166
P0292	2005184	2000067	2005185	2005187	2005188	2005189	2005190
P0293	2005204	2000067	2005205	2005207	2005208	2005209	2005210
P0294	2005328	2000281	2005329	2005331	2005332	2005333	2005334
P0295	2005228	2000067	2005229	2005233	2005231	2005323	2005234
P0297	2005249	2000067	2005250	2005252	2005253	2005254	2005255
P0298	2005367	2000067	2005368	2005370	2005371	2005372	2005372
P0299	2005387	2000067	2005388	2005390	2005391	2005392	2005393

Assembly #	Pocket holder mounting plate	Pocket holder	Angle blade upper left	Angle blade lower left	Angle blade lower right	Angle blade lower left
------------	---------------------------------	---------------	---------------------------	---------------------------	----------------------------	---------------------------

**POCKET HOLDER ASSEMBLY  
SPADE**

P0301	2005407	2000067	2005408	2005410	2005411	2005412	2005413
P0302	2005427	2000067	2005428	2005430	2005431	2005432	2005433
P0304	2008018	2001391	2008019	2008021	2008022	2008023	2008024
P0305	2005447	2000067	2005448	2005450	2005451	2005452	2005453
P0308	2005485	2000067	2005486	2005488	2005489	2005490	2005491
P0311	2005842	2000067	2005843	2005847	2005845	2005846	2005848
P0312	2005553	2000067	2005554	2005556	2005557	2005558	2005559
P0313	2005573	2000067	2005574	2005576	2005577	2005578	2005579
P0315	2005597	2000067	2005598	2005600	2005601	2005602	205603
P0316	2005618	2000067	2005619	2005621	2005622	2005623	2005624
P0317	2005639	2000067	2005640	2005642	2005643	2005644	2005645
P0319	2005681	2001391	2005682	2005684	2005685	2005686	2005687
P0320	2005720	2000067	2005721	2005723	2005724	2005725	2005726
P0321	2005740	2000067	2005741	2005743	2005744	2005745	2005726
P0324	2005765	2000067	2005766	2005768	2005769	2005770	2005771
P0325	2005787	2000067	2005788	2005790	2005791	2005792	2005793
P0326	2005809	2000067	2005810	2005812	2005813	2005814	2005815
P0333	2006002	2000067	2006003	2006005	2006006	2006007	2006008
P0334	2005932	2000067	2005933	2005935	2005936	2005937	2005938
P0335	2005954	2000281	2005955	2005957	2005958	2005959	2005960
P0337	2005978	2000067	2005979	2005981	2005982	2005983	2005984
P0339	2006022	2000067	2006023	2006025	2006026	2006027	2006028
P0340	2006042	2000067	2006043	2006045	2006046	2006047	2006048
P0341	2006062	2000067	2006063	2006065	2006066	2006067	2006068
P0342	2006108	2000067	2006109	2006111	2006112	2006113	2006114
P0349	2006248	2000067	2006249	2006251	2006252	2006253	2006254
P0350	2006268	2000067	2006269	2006271	2006272	2006273	2006274
P0351	2006288	2000067	2006289	2006291	2006292	2006293	2006294
P0352	2006311	2000067	2006312	2006314	2006315	2006316	2006317
P0358	2006449	2000067	2006450	2006452	2006453	2006454	2006455
P0359	2006469	2000067	2006470	2006472	2006473	2006474	2006475
P0360	2006489	2000281	2006490	2006492	2006493	2006494	2006495

Assembly #	Pocket holder mounting plate	Pocket holder	Angle blade upper left	Angle blade lower left	Angle blade lower right	Angle blade lower left
------------	------------------------------	---------------	------------------------	------------------------	-------------------------	------------------------

**POCKET HOLDER ASSEMBLY  
SPADE**

P0361	2006511	2006518	2006512	2006514	2006515	2006516	2006517
P0364	2006611	2000067	2006612	2006614	2006615	2006616	2006617
P0367	2006711	2000281	2006712	2006714	2006715	2006716	2006717
P0368	2006733	2000281	2006734	2006736	2006737	2006738	2006739
P0372	2006832	2000067	2006833	2006837	2006835	2006836	2006838
P0374	2006894	2000067	2006895	2006897	2006898	2006899	2006900
P0375	2006914	2000067	2006915	2006917	2006918	2006919	2006920
P0376	2006852	2000067	2006853	2006857	2006855	2006856	2006858
P0377	2006872	2000067	2006873	2006877	2006875	2006876	2006878
P0378	2006961	2000067	2006962	2006966	2006964	2006965	2006969
P0379	2006981	2000067	2006982	2006986	2006984	2006985	2006989
P0380-9	2007008	2000067	2007009	2007011	2007012	2007013	2007014
P0384	2007031	2000067	2007032	2007036	2007034	2007035	2007037
P0385	2007050	2000067	2007051	2007055	2007053	2007054	2007056
P0386	2007069	2000067	2007070	2007074	2007072	2007073	2007075
P0387	2007132	2000067	2007133	2007135	2007136	2007137	2007138
P0388	2007152	2000067	2007153	2007155	2007156	2007157	2007158
P0395	2007223	2000067	2007224	2007226	2007227	2007228	2007229
P0396	2007391	2000067	2007392	2007394	2007395	2007396	2007397
P0397	2007359	2000067	2007360	2007362	2007363	2007364	9007365
P0399	2007339	2000067	2007340	2007344	2007342	2007343	2007345
P0400	2007299	2000067	2007300	2007304	2007302	2007303	2007305
P0401	2007319	2000067	2007320	2007324	2007322	2007323	2007325
P0404	2007452	2000067	2007453	2007455	2007456	2007457	2007458
P0405	2007555	2000067	2007556	2007560	2007558	2007559	2007561
P0406	2007515	2000067	2007516	2007520	2007518	2007519	2007521
P0407	2007535	2000067	2007536	2007540	2007538	2007539	2007541
P0412	2007575	2000067	2007576	2007578	2007579	2007580	2007581
P0413	2007634	2000067	2007635	2007637	2007638	2007639	2007640
P0417	2007657	2000067	2007658	2007660	2007661	2007662	2007663
P0418	2007677	2000067	2007678	2007680	2007681	2007682	2007683
P0419	2007697	2000067	2007698	2007700	2007701	2007702	2007703

Assembly #	Pocket holder mounting plate	Pocket holder	Angle blade upper left	Angle blade lower left	Angle blade lower right	Angle blade lower left
------------	---------------------------------	---------------	---------------------------	---------------------------	----------------------------	---------------------------

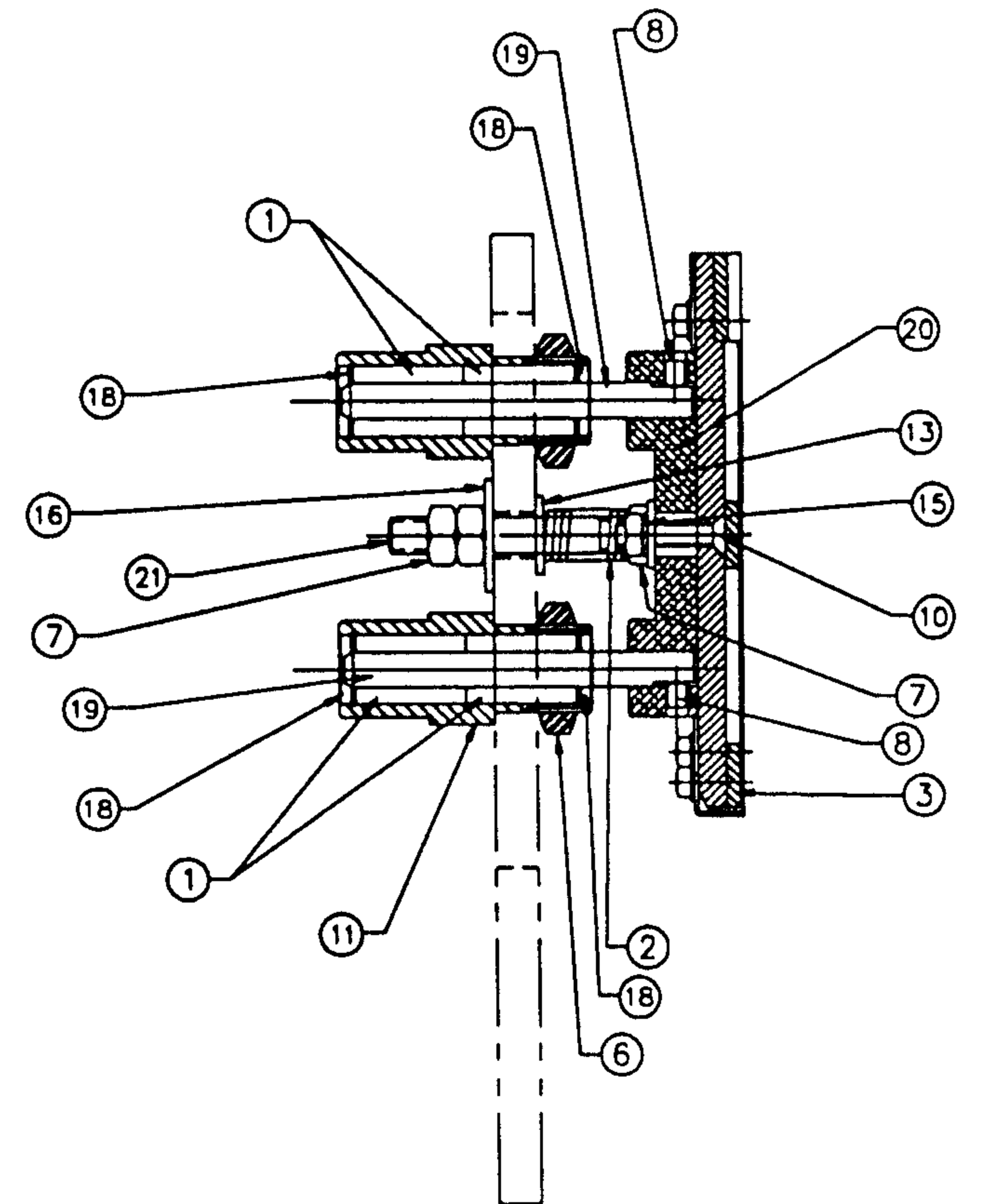
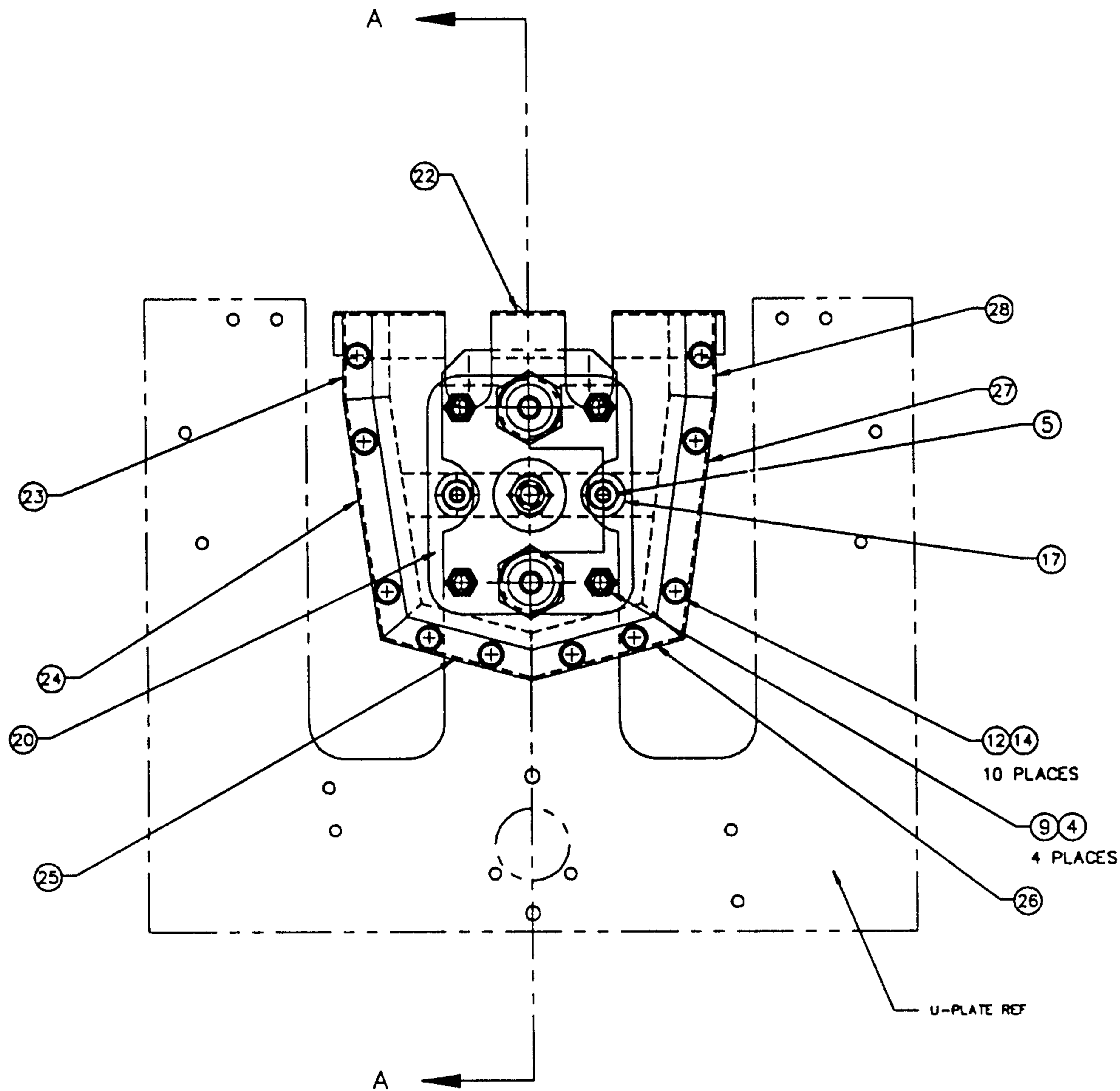
**POCKET HOLDER ASSEMBLY  
SPADE**

P0420	2007717	2000067	2007718	2007720	2007721	2007722	2007723
P0421	2007737	2000067	2007738	2007740	2007741	2007742	2007743
P0422	2007757	2000067	2007758	2007760	2007761	2007762	2007763
P0423	2007777	2006518	2007778	2007780	2007781	2007782	2007783
P0424	2007794	2001391	2007795	2007797	2007798	2007799	2007800
P0425	2007811	2001391	2007812	2007814	2007815	2007816	2007817
P0426	2007828	2000067	2007829	2007831	2007832	2007833	2007834
P0440	2008109	2000067	2008110	2008112	2008113	2008114	2008115
P0442	2008217	2000067	2008218	2008220	2008221	2008222	2008223
P0458	2008372	2000067	2008373	2008375	2008376	2008377	2008378
P0459	2008394	2000067	2008395	2008397	2008398	2008399	2008400
P0463	2008443	2000067	2008444	2008448	2008446	2008447	2008449
P0466	2008535	2000067	2008536	2008538	2008539	2008540	2008541
P0468	2008555	2000067	2008556	2008560	2008558	2008559	2008563
P0470	2008575	2000067	2008576	2008578	2008579	2008580	2008581
P0471	2008638	2000067	2008639	2008641	2008642	2008643	2008644
P0472	2008617	2000067	2008618	2008620	2008621	2008622	2008623
P0475	2008700	2000067	2008701	2008703	2008704	2008705	2008706
P0477	2008722	2000067	2008723	2008725	2008726	2008727	2008728
P0480	2008797	2000067	2008798	2008800	2008801	2008802	2008803
P0484	2008845	2000067	2008846	2008848	2008849	2008850	2008851
P0485	2008865	2000067	2008866	2008868	2008869	2008870	2008871
P0489	2008910	2000067	2008911	2008913	2008914	2008915	2008916
P0490	2008922	2000067	2008923	2008925	2008926	2008927	2008928
P0491	2008934	2000067	2008935	2008937	2008938	2008939	2008940
P0492	2008982	2000281	2008983	2008985	2008986	2008987	2008988
P0496	2009002	2000067	2009003	2009005	2009006	2009007	2009008
P0497	2009030	2000281	20090031	2009033	2009034	2009035	2009036
P0498	2009050	2000281	2009051	2009053	2009054	2009055	2009056
P0499	2009070	2000067	2009071	2009073	2009074	2009075	2009076
P0501	2009119	2000067	2009120	2009122	2009123	2009124	2009125
P0502	2009139	2000067	2009140	2009142	2009143	2009144	2009145

Assembly #	Pocket holder mounting plate	Pocket holder	Angle blade upper left	Angle blade lower left	Angle blade lower right	Angle blade lower left
------------	---------------------------------	---------------	---------------------------	---------------------------	----------------------------	---------------------------







SECTION A-A  
SCALE 1:1

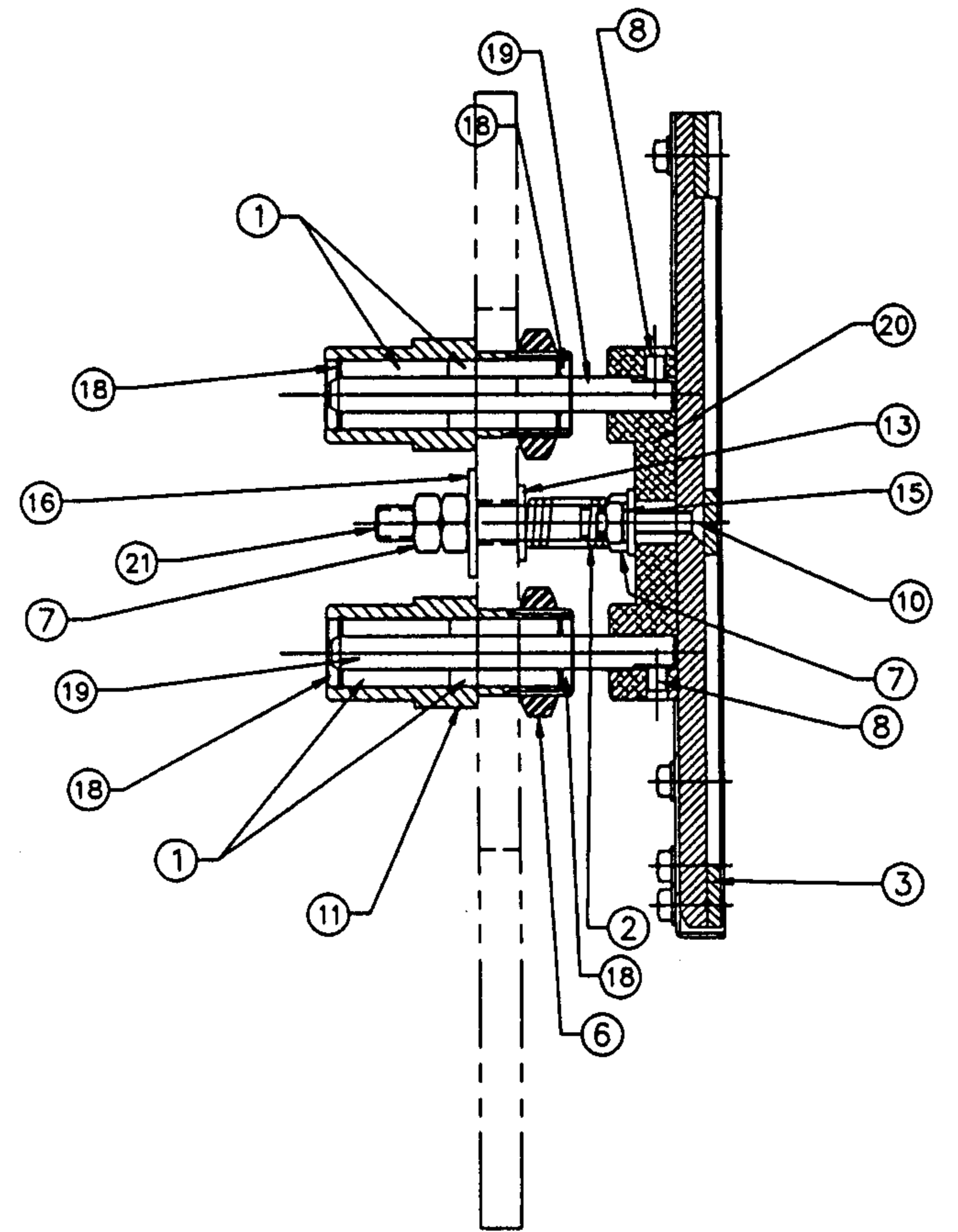
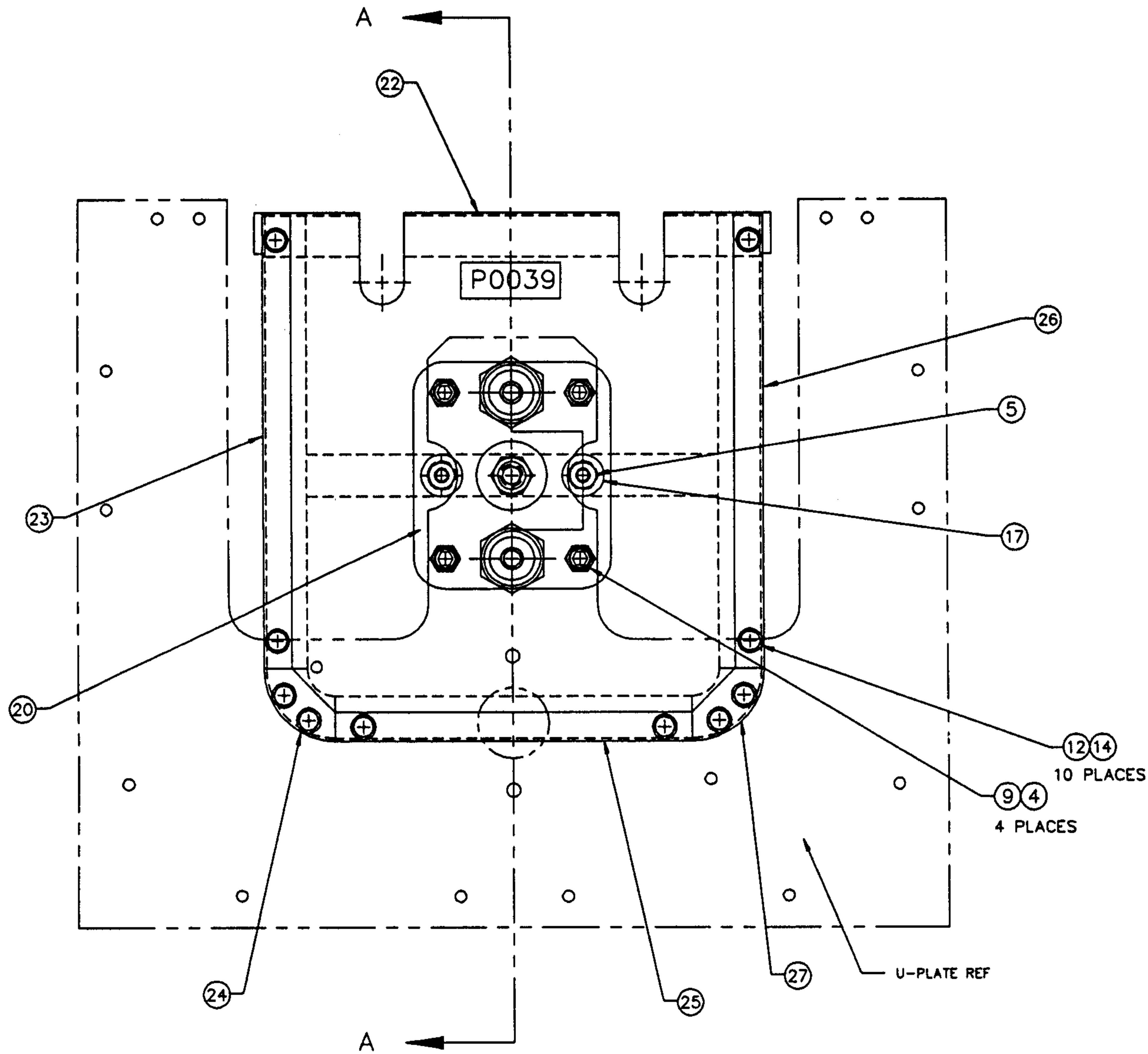
POCKET HOLDER ASS'Y  
(SPADE POCKETS W/STRAIGHT SIDES)

**POCKET HOLDER ASSEMBLY  
SPADE W/ STRAIGHT**

ITEM	PART NUMBER	DESCRIPTION	QTY	ITEM	PART NUMBER	DESCRIPTION	QTY
1	8010040295	Bushing, Linear Ball, 8mm Lg.	4	20	9-200	Pocket Mounting Plate	1
2	8010120073	Compression Spring	1	21	9-2000065	Threaded Stud	1
3	8010360736	Tape, Tesamoll	3	22	9-200	Pocket Holder	1
4	8040010115	Nut, Hex, M4 x 0.7	4	23	9-200	Angle Bracket, Upper Left	1
5	8040010116	Nut, Hex, M5 x 0.8	2	24	9-200	Angle Bracket, Side Left	1
6	8040010117	Nut, Hex, Thin, M20 x 1.5	2	25	9-200	Angle Bracket, Lower Left	1
7	8040010118	Nut, Hex, M8 x 1.25	2	26	9-200	Angle Bracket, Lower Right	1
8	80400020636	Scr, Hx-SS, Fl. Hd., M5 x 25mm Lg	2	27	9-200	Angle Bracket, Side Right	1
9	8040020645	Scr., Hx-SS, Fl. Hd., M5 x 25mm Lg	4	28	9-200	Angle Bracket, Upper Right	1
10	8040020651	Scr, Hx-Soc Fl. Hd., M5 x 25mm	2				
11	8060090006	Guide Bushing	2			<b><u>**NOT SHOWN*</u></b>	
12	8040050653	Scr, Hx-Hd Cap, M4 x 6mm	8				
13	7735120200	Washer, Flat, 8mm	1				
14	8040040088	Washer, Flat, 4mm	8		9-2004743	Assy, Mounting Plate	
15	8040040092	Washer, Split Lock, M5	2				
16	8040040093	Washer, Flat, Oversized OD, M8	1				
17	8040040095	Washer, Flat, Oversized OD, M5	2				
18	8040060043	Ret. Ring, Internal, .625 Hsng Dia.	4				
19	9-2000064	Pin, 8M x 80mm Lg.	2				







POCKET HOLDER ASS'Y  
 (ROUND POCKETS)

**POCKET HOLDER ASSEMBLY  
ROUND**

TEM	PART NUMBER	DESCRIPTION	QTY	ITEM	PART NUMBER	DESCRIPTION	QTY
1	8010040295	Bushing, Linear Ball, 8mm	4	20	9-2000	Pocket Mounting Plate	1
2	8010120073	Compression Spring	1	21	9-2000065	Threaded Stud	1
3	8010360736	Tape, Tesamoll	3	22	9-200	Pocket Holder	1
4	8040010115	Nut, Hex, M4 x 0.7	4	23	9-200	Angle Bracket, Upper Left	1
5	8040010116	Nut, Hex, M5 x 0.8	2	24	9-200	Angle Bracket, Corner Left	1
6	8040010117	Nut, Hex, Thin, M20 x 1.5	2	25	9-200	Angle Bracket, Bottom	1
7	8040010118	Nut, Hex, M8 x 1.25	3	26	9-200	Angle Bracket, Upper Right	1
8	8040020636	Scr,Hx-Soc.Set,Fl.Pt.M5 x 6mm	2	27	9-200	Angle Bracket, Corner Right	1
9	8040020645	Scr,Hx-Soc.Cap, M4 x 16mm	4				
10	8040020651	Scr,Hx-Soc.Fl.Hd.M5 x 25mm	2			**Not Shown**	
11	8060090006	Guide Bushing	2		9-2004743	Assy Mounting Plate	
12	8040020653	Scr,Hx-Hd Cap, M4 x 6mm	8				
13	7735120200	Washer, Flat, 8mm	1				
14	8040040088	Washer, Flat, 4mm	8				
15	8040040092	Washer, Split Lock, M5	2				
16	8040040093	Washer, Flat, Oversized OD,M8	1				
17	8040040095	Washer, Flat, Oversized OD, M5	2				
18	8040060043	Ret.Ring,Internal, .625 Hsng Dia	4				
19	9-2000064	Pin, 8mm x 80mm lg.	2				

## POCKET HOLDER ASSEMBLY ROUND

P0	ASSY #	ITEM #20	ITEM #22	ITEM #23	ITEM #24	ITEM #25	ITEM #26	ITEM #27
P0010	2000273	2000067	2000213	2000215	2000216	2000217	2000219	2000216
P0038	2000677	2000067	2000678	2000679	2000680	2000681	2000682	2000680
P0039	2000686	2000067	2000687	2000688	2000689	2000690	2000691	2000689
P0147	2002488	2000067	2002489	2002491	2002492	2002493	2002494	2002492
P0170	2002933	2000067	2002934	2002936	2002937	2002938	2002939	2002937
P0176	2003002	2000067	2003003	2003005	2003008	2003006	2003007	2003008
P0177	2003023	2000281	2003024	2003026	2003008	2003006	2003027	2003008
P0184	2003169	2000067	2003170	2003172	2003175	2003173	2003174	2003175
P0200	2003503	2000067	2003504	2003506	2003509	2003507	2003508	2003509
P0216	2003799	2000067	2003800	2003802	2003803	2003804	2003805	2003803
P0255	2004647	2000067	2004648	2004650	2004652	2004653	2004651	2004652
P0256	2004672	2000067	2004673	2004675	2004677	2004678	2004676	2004677
P0262	2004624	2000067	2004625	2004627	2004631	2004628	2004630	2004631
P0274	2004945	2000067	2004946	2004948	2004951	2004949	2004950	2004951
P0283	2005086	2000281	2005087	2005089	2005093	2005090	2005092	2005093
P0284	2005110	2000067	2005111	2005113	2005117	2005114	2005116	2005117
P0314	2008035	2000067	2008036	2008038	2008041	2008039	2008040	2008041
P0322	2005700	2000067	2005701	2005703	2005706	2005704	2005705	2005706
P0343	2006088	2000067	2006089	2006091	2006094	2006092	2006093	2006094
P0344	2006128	2001391	2006129	2006131	2006134	2006132	2006133	2006134
P0347	2006181	2000067	2006182	2006184	2006187	2006185	2006186	2006187
P0348	2006202	2000067	2006203	2006205	2006208	2006206	2006207	2006208
P0357	2006419	2000067	2006420	2006422	2006425	2006423	2006424	2006425
P0402	2007411	2000281	2007412	2007414	2007417	2007415	2007416	2007417
P0403	2007429	2000067	2007430	2007432	2007435	2007433	2007434	2007435
P0415	2007592	2000067	2007593	2007595	2007596	2007597	2007598	2007596
P0416	2007612	2000067	2007613	2007615	2007618	2007616	2007617	2007618
P0427	2007910	2000067	2007911	2007913	2007916	2007914	2007915	2007952

Assembly #

Pocket holder  
mounting plate

Pocket holder

Angle blade  
upper left

Angle blade  
corner left

Angle blade  
bottom

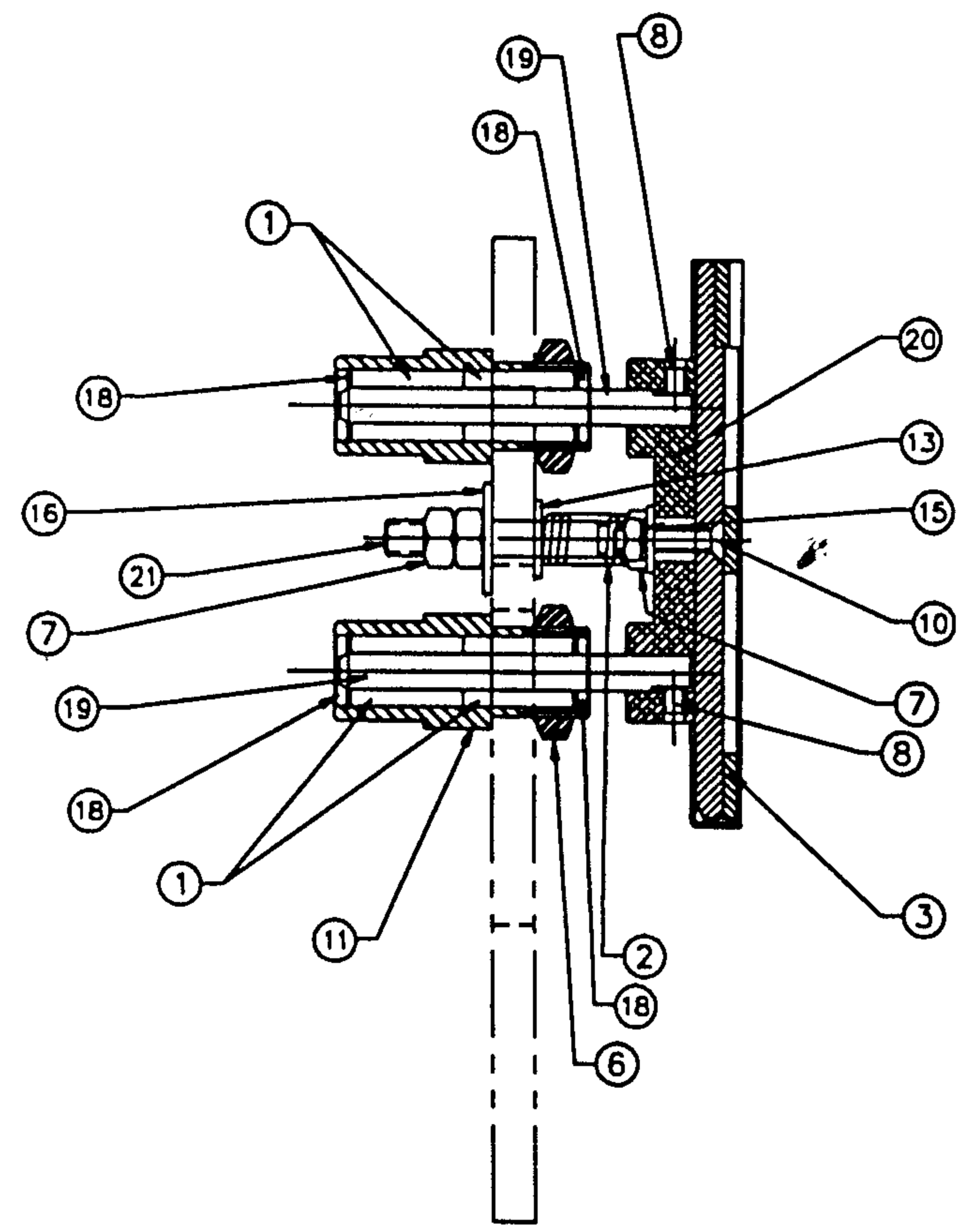
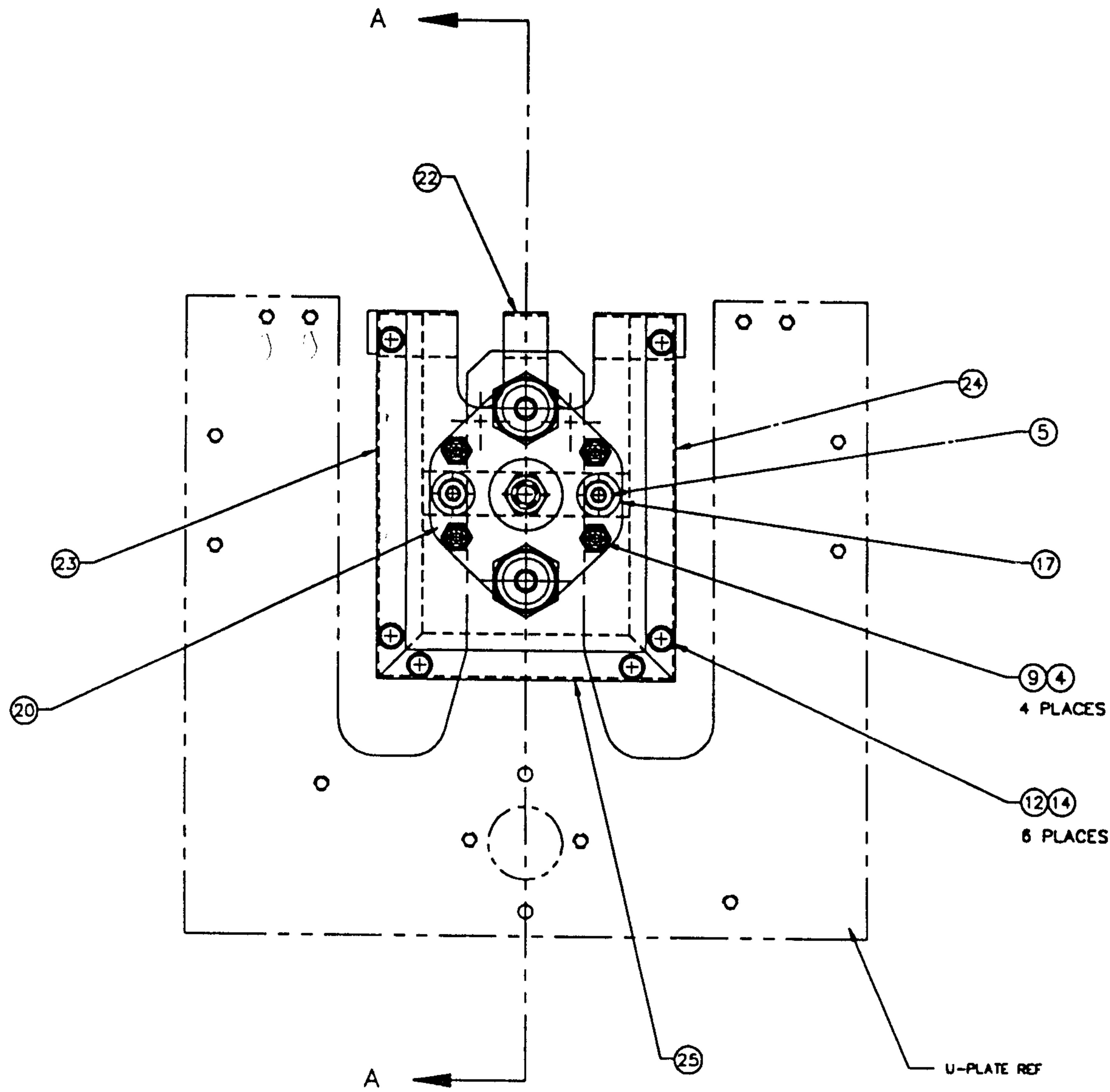
Angle blade  
upper right

Angle blade  
upper right









POCKET HOLDER ASS'Y  
 (SQUARE POCKETS)

**POCKET HOLDER ASSEMBLY  
SQUARE**

ITEM	PART NUMBER	DESCRIPTION	QTY	ITEM	PART NUMBER	DESCRIPTION	QTY
1	8010040295	Bushing,Linear Ball,8mm Lg.	4	20	9-200	Pocket Mounting Plate	1
2	8010120073	Compression Spring	1	21	9-2000065	Threaded Stud	1
3	8010360736	Tape,Tesamoll	3	22	9-200	Pocket Holder	1
4	8040010115	Nut,Hex,M4 x 0.7	4	23	9-200	Angle Bracket, Left	1
5	8040010116	Nut,Hex,M5 x 0.8	2	24	9-200	Angle Bracket, Right	1
6	8040010117	Nut,Hex,Thin,M20 x 1.5	2	25	9-200	Angle Bracket, Bottom	1
7	8040010118	Nut,Hex,M8 x 1.25	2				
8	8040020636	Scr,Hx-SS,FL.PT.,M5 x 6mm	2			***NOT SHOWN***	
9	8040020645	Scr,Hx-SC,M4 x 16mm	4		9-2004743	Assy, Mounting Plate	
10	8040020651	Sccr,Hx-S,FL.HD.,M5 x 25mm	2				
11	8060090006	Guide Bushing	2				
12	8040020653	Scr,Hx-HD Cap,M4 x 6mm	6				
13	7735120200	Washer, Flat,8mm	1				
14	8040040088	Washer, Flat,4mm	6				
15	8040040092	Washer, Split Lock,M5	2				
16	8040040093	Washer,Flat,Oversized OD,M8	1				
17	8040040095	Washer,Flat,Oversized OD,M5	2				
18	8040060043	Ret.Ring,Internal,.625 Hsng Dia.	4				
19	9-2000064	Pin,8m6 x 80mm Lg.	2				

**POCKET HOLDER ASSEMBLY  
SQUARE**

<b>P0</b>	<b>ASSY #</b>	<b>ITEM #20</b>	<b>ITEM #22</b>	<b>ITEM #23</b>	<b>ITEM #24</b>	<b>ITEM #25</b>
P0036	2000613	2000281	2000614	2000615	2000616	2000617
P0037	2000619	2000281	2000620	2000621	2000622	2000623
P0042	2005292	2000067	2005293	2005295	2005297	2005296
P0046	2000784	2000281	2000785	2000786	2000787	2000788
P0080	2001347	2001391	2001348	2001350	2001351	2001352
P0113	2001967	2000281	2001968	2001969	2001970	2001971
P0163	2002769	2000067	2002770	2002772	2002773	2002774
P0180	2003123	2000281	2003124	2003125	2003126	2003127
P0193	2003442	2000067	2003443	2003445	2003446	2003447
P0219	2003894	2000281	2003895	2003897	2003898	2003899
P0296	2005269	2000067	2005270	2005272	2005274	2005273
P0307	2005465	2000281	2005466	2005468	2005470	2005471
P0345	2006149	2000067	2006150	2006152	2006154	2006153
P0346	2006165	2000067	2006166	2006168	2006179	2006169
P0355	2006380	2000067	2006381	2006383	2006385	2006384
P0370	2006773	2000067	2006774	2006776	2006778	2006777
P0373	2006808	2000067	2006808	2006811	2006812	2006813
P0408	2007479	2000067	2007480	2007482	2007484	2007483
P0409	2007495	2000067	2007496	2007498	2007500	2007499
P0431	2007851	2001391	2007852	2007854	2007855	2007856
P0441	2008133	2000067	2008134	2008136	2008138	2008137
P0456	2008237	2000067	2008238	2008240	2008242	2008241
P0457	2008255	2000067	2008256	2008258	2008260	2008259
P0469	2008599	2000067	2008600	2008602	2008604	2008603
P0481	2008750	2000067	2008751	2008753	2008755	2008754

Assembly #

Pocket holder  
mounting plate

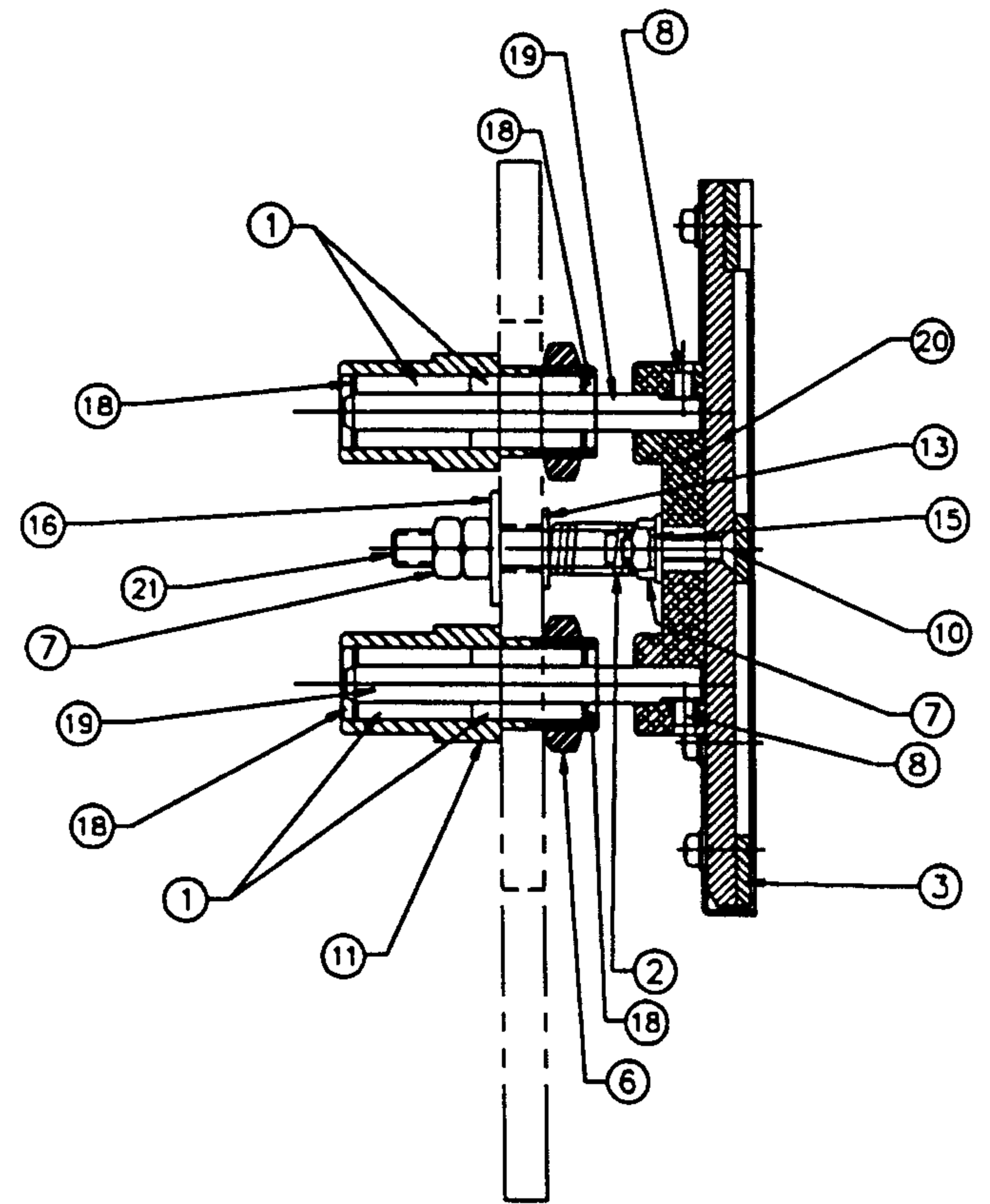
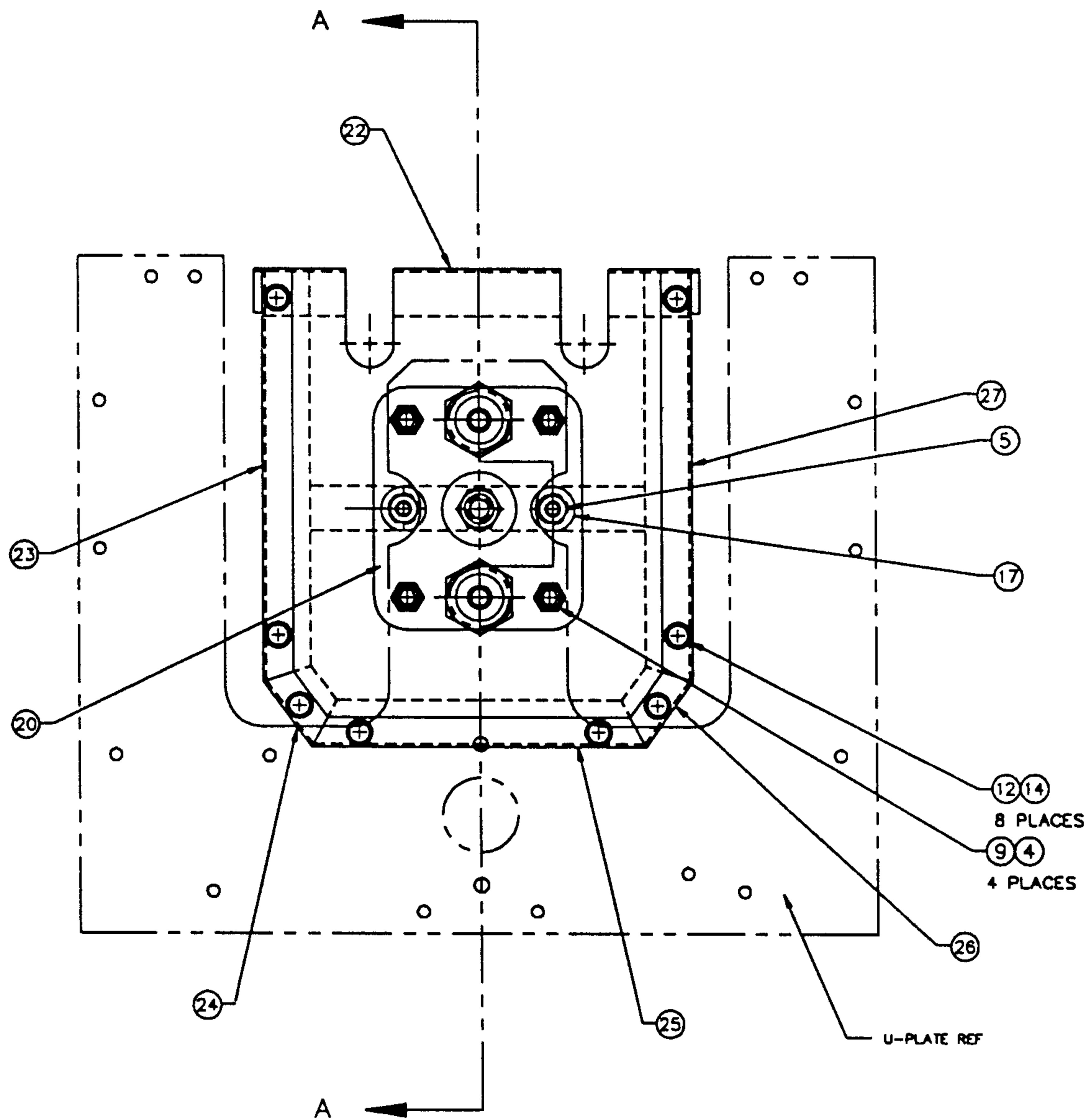
Pocket holder

Angle blade  
left

Angle blade  
right

Angle blade  
bottom





POCKET HOLDER ASS'Y  
 (MITER POCKETS)

**POCKET HOLDER ASSEMBLY  
MITER**

ITEM	PART NUMBER	DESCRIPTION	QTY	ITEM	PART NUMBER	DESCRIPTION	QTY
1	8010040295	Bushing,Linear Ball,8mm Lg.	4	20	9-2000	Pocket Mounting Plate	1
2	8010120073	Compression Spring	1	21	9-2000065	Threaded Stud	1
3	8010360736	Tape, Tesamoll	3	22	9-200	Pocket Holder	1
4	8040010115	Nut,Hex,M4 x 0.7	4	23	9-200	Angle Bracket, Side Left	1
5	8040010116	Nut,Hex,M5 x 0.8	2	24	9-200	Angle Bracket, Lower Left	1
6	8040010117	Nut,Hex,Thin,M20 x 1.5	2	25	9-200	Angle Bracket, Bottom	1
7	8040010118	Nut,Hex,M8 x 1.25	2	26	9-200	Angle Bracket, Lower Right	1
8	8040020636	Scr,SHS,M5 x 6mm	2	27	9-200	Angle Bracket, Side Right	1
9	8040020645	Scr,SHC,M4 x 16mm	4				
10	8040020651	Scr,FHC,M5 x 25mm	2		9-2004743	Assy, Mounting PLate	1
11	8060090006	Guide Bushing	2				
12	8040020653	Scr,HHC,M4 x 6mm	8				
13	7735120200	Washer, Flat, 8mm	1				
14	8040040088	Washer, Flat, 4mm	8				
15	8040040092	Washer,Split Lock, M5	2				
16	8040040093	Washer, Flat, OVS OD, M8	1				
17	8040040095	Washer,Flat,OVS OD,M5	2				
18	8040060043	Ret Ring,Internal,.625 Hsng Dia.	4				
19	9-2000064	Pin, 8mm x 80mm Lg.	2				

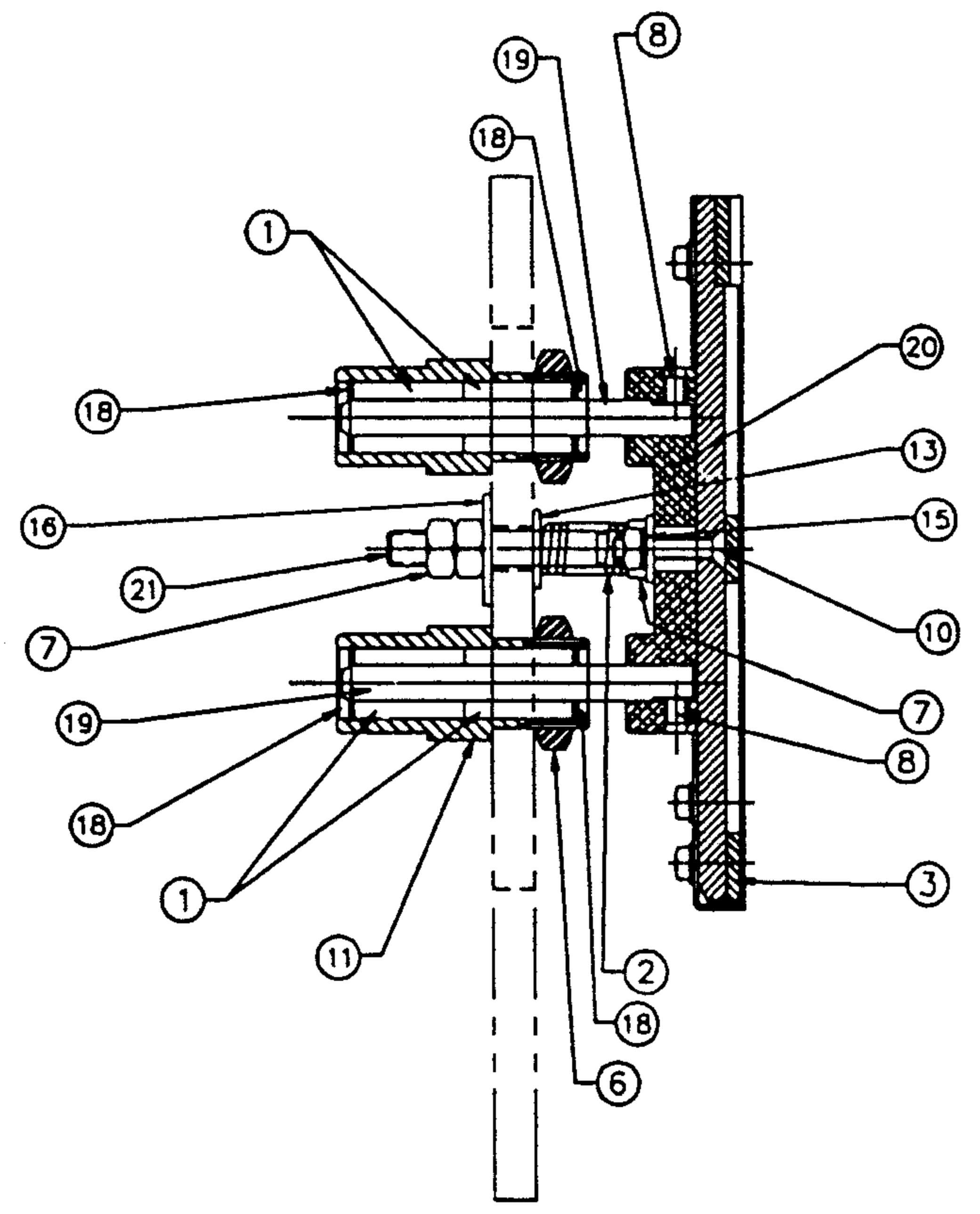
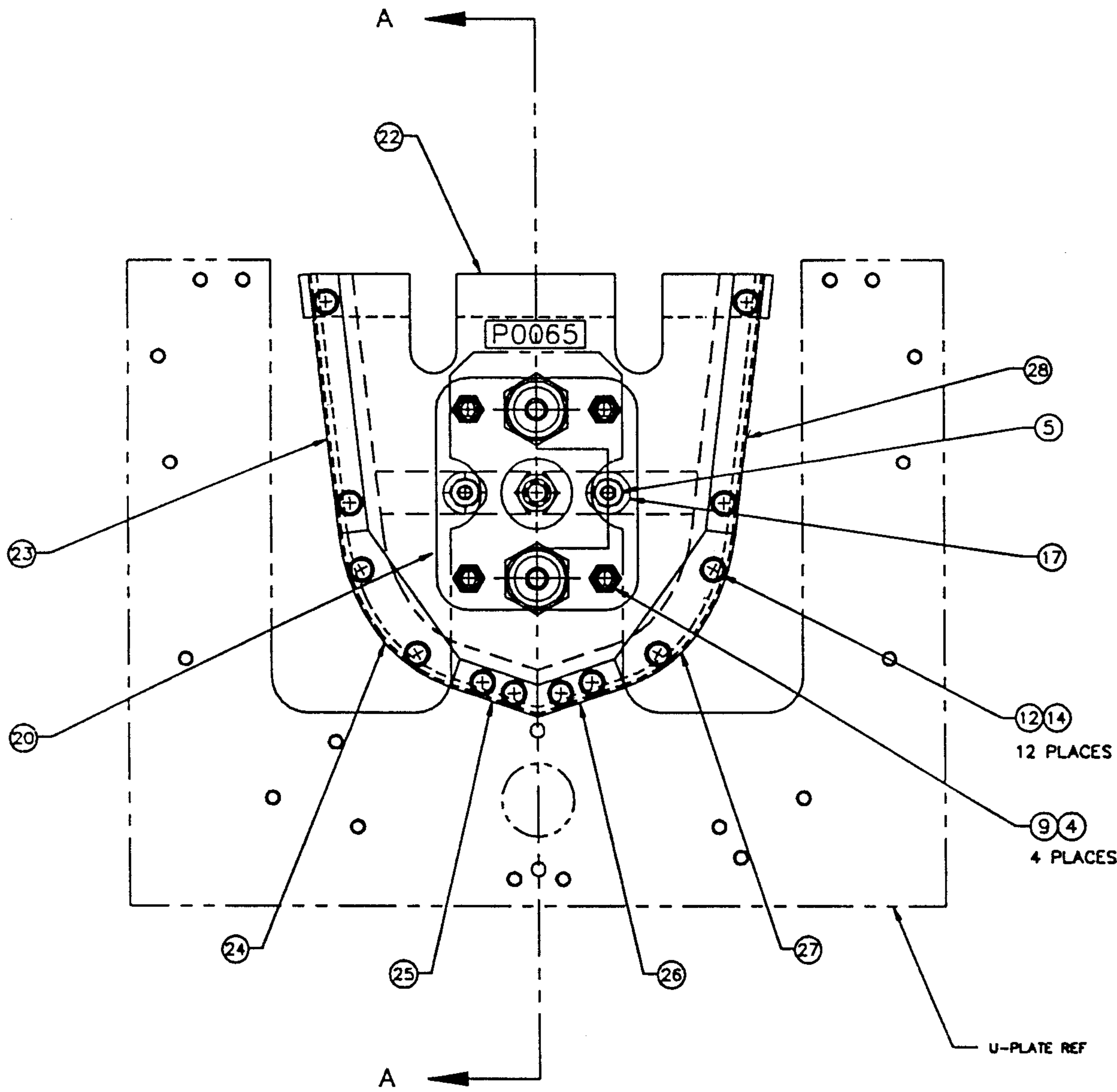
**POCKET HOLDER ASSEMBLY  
MITER**

<b>P0</b>	<b>ASSY #</b>	<b>ITEM #20</b>	<b>ITEM #22</b>	<b>ITEM #23</b>	<b>ITEM #24</b>	<b>ITEM #25</b>	<b>ITEM #26</b>	<b>ITEM #27</b>
P0013	2000254	2000067	2000236	2000227	2000228	2000229	2000230	2000231
P0054	2001383	2000067	2000939	2000941	2000942	2000943	2000944	2000945
P0117	2002060	2000067	2002061	2002063	2002064	2002065	2002066	2002067
P0137	2002434	2000067	2002435	2002437	2002438	2002439	2002440	2002441
P0167	2002908	2000067	2002909	2002911	2002912	2002913	2002914	2002915
P0240	2004194	2000281	2004195	2004197	2004198	2004199	2004200	2004201
P0291	2005064	2000067	2005065	2005067	2005068	2005069	2005070	2005071
P0318	2005662	2000067	2005663	2005665	2005668	2005666	2005668	2005667
P0356	2006401	2000067	2006402	2006404	2006405	2006406	2006407	2006408
P0363	2006631	2000067	2006632	2006634	2006635	2006636	2006635	2006637
P0365	2006666	2000067	2006667	2006669	2006670	2006671	2006670	2006672
P0366	2006688	2000067	2006689	2006691	2006692	2006693	2006694	2006695
P0369	2006753	2000067	2006754	2006756	2006757	2006758	2006757	2006759
P0382	2007090	2000067	2007091	2007093	2007094	2007095	2007096	2007097
P0389	2007176	2000067	2007177	2007179	2007180	2007181	2007182	2007183
P0398	2007278	2000067	2007279	2007281	2007282	2007283	2007292	2007293
P0429	2007879	2000067	2007880	2007882	2007883	2007884	2007885	2007886
P0437	2007996	2000067	2007997	2007999	2008000	2008001	2008002	2008003
P0461	2008414	2000067	2008415	2008417	2008418	2008419	2008418	2008421
P0467	2008494	2000067	2008495	2008497	2008498	2008499	2008509	2008500
P0482	2008817	2000067	2008818	2008820	2008821	2008822	2008823	2008824
P0526	2009541	2000067	2009542	2009544	2009545	2009546	2009547	2009548
P0527	2009562	2000067	2009563	2009565	2009566	2009567	2009568	2009569
P0540	2009823	2000067	2009824	2009826	2009827	2009828	2009829	2009830
P0562-1	2010029	2000067	2010030	2010032	2010033	2010033	2010034	2010035

Assembly #    Pocket holder mounting plate    Pocket holder    Angle blade side left    Angle blade lower left    Angle blade bottom    Angle blade lower right    Angle blade side right







POCKET HOLDER ASS'Y  
 (SHIELD POCKET)

**POCKET HOLDER ASSEMBLY  
SHIELD**

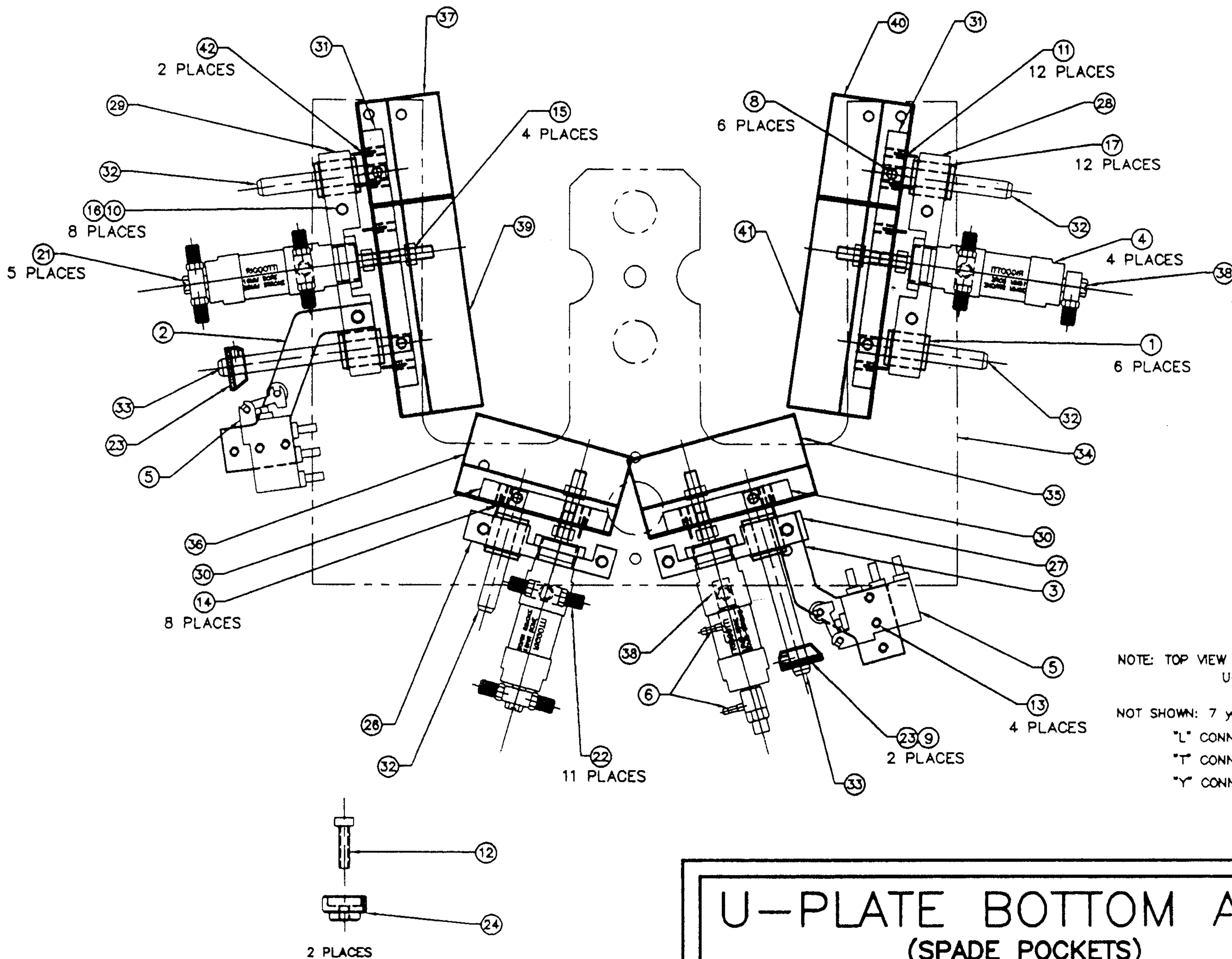
ITEM	PART NUMBER	DESCRIPTION	QTY	ITEM	PART NUMBER	DESCRIPTION	QTY
1	8010040295	Bushing,Linear Ball,8mm Lg.	4	20	9-2000067	Pocket Mounting Plate	1
2	8010120073	Compression Spring	1	21	9-2000065	Threaded Stud	1
3	8010360736	Tape,Tesamoll	3	22	9-200	Pocket Holder	1
4	8040010115	Nut,Hex,M4 x 0.7	4	23	9-200	Angle Bracket,Upper Left	1
5	8040010116	Nut,Hex,M5 x 0.8	2	24	9-200	Angle Bracket,Corner Left	1
6	8040010117	Nut,Hex,Thin,M20 x 1.5	2	25	9-200	Angle Bracket,Bottom Left	1
7	8040010118	Nut,Hex,M8 x 1.25	3	26	9-200	Angle Bracket,Bottom Right	1
8	8040020636	Scr,Hx-SS,FL.PT.M5 x 6mm	2	27	9-200	Angle Bracket,Corner Right	1
9	8040020642	Scr,Hx-SC,M4 x 16mm	4	28	9-200	Angle Bracket,Upper Right	1
10	8040020651	Scr,Hx-Soc Fl.HD.M5 x 25mm	2				
11	8060090006	Guide Bushing	2			<b>**NOT SHOWN**</b>	
12	8040020653	Scr,Hx-Hd Cap,M4 x 6mm	8		9-2004743	Assy,Mounting Plate	
13	7735120200	Washer, Flat, 8mm	1				
14	8040040088	Washer, Flat, 4mm	8				
15	8040040092	Washer, Split Lock,M5	2				
16	8040040093	Washer, Flat, Oversized OD,M8	1				
17	8040040095	Washer, Flat, Oversized OD,M5	2				
18	8040060043	Ret.Ring,Internal,.625 Hsng Dia.	4				
19	9-2000064	Pin,8m6 x 80mm Lg.	2				

## POCKET HOLDER ASSEMBLY SHIELD

P0	ASSY #	ITEM #20	ITEM #22	ITEM #23	ITEM #24	ITEM #25	ITEM #26	ITEM #27	ITEM #28
P0065	2001096	2000067	2001097	2001099	2001100	2001101	2001102	2001103	2001104
P0066	2001115	2000067	2001116	2001118	2001119	2001120	2001121	2001122	2001123
P0081	2001366	2000067	2001367	2001369	2001370	2001371	2001372	2001373	2001374
P0083	2001454	2000067	2001455	2001457	2001458	2001459	2001460	2001461	2001462
P0094	2001601	2001391	2001602	2001604	2001605	2001606	2001607	2001605	2001609
P0095	2001623	2000281	2001624	2001626	2001627	2001628	2001629	2001630	2001631
P0096	2001645	2000067	2001646	2001648	2001649	2001650	2001651	2001652	2001653
P0097	2001667	2000067	2001668	2001670	2001671	2001672	2001673	2001674	2001675
P0098	2001689	2000067	2001690	2001692	2001693	2001694	2001695	2001696	2001697
P0099	2001738	2000067	2001739	2001741	2001742	2001743	2001744	2001742	2001746
P0100	2001760	2000067	2001761	2001763	2001764	2001765	2001766	2001764	2001768
P0100A	2002508	2000067	2002509	2002511	2002515	2002512	2002513	2002515	2002514
P0159	2002788	2000067	2001739	2002791	2002792	2002793	2002794	2002792	2002796
P0164	2002820	2000067	2002821	2002823	2002827	2002824	2002825	2002827	2002826
P0164-A	2007384	2000067	2007385	2002823	2002898	2002824	2002825	2002898	2002897
P0192	2003851	2000067	2003852	2003854	2003858	2003855	2003856	2003858	2003857
P0217	2003821	2000067	2003822	2003824	2003825	2003826	2003827	2003825	2003829
P0228	2004096	2000067	2004097	2004099	2004103	2004100	2004101	2004103	2004102
P0249	2004501	2000067	2004502	2004504	2004508	2004507	2004506	2004508	2004505
P0250	2004521	2000067	2004522	2004524	2004528	2004527	2004526	2004528	2004525
P0251	2004542	2000067	2004543	2004546	2004549	2004547	2004548	2004549	2004545
P0252	2004562	2000067	2004563	2004565	2004569	2004567	2004568	2004569	2004566
P0253	2004582	2000067	2004583	2004586	2004589	2004588	2004587	2004589	2004585
P0254	2004602	2000067	2004603	2004605	2004608	2004606	2004607	2004608	2004618
P0290	2005136	2000067	2005137	2005139	2005143	2005140	2005141	2005143	2005142
P0300	2005345	2000067	2005346	2005348	2005352	2005349	2005350	2005352	2005351
P0328	2005907	2000067	2005908	2005910	2005914	2005911	2005912	2005914	2005913
P0353	2006335	2001391	2006336	2006338	2006342	2006339	2006340	2006342	2006341

Assembly #    Pocket holder mounting plate    Pocket holder    Angle blade upper left    Angle blade corner left    Angle blade bottom left    Angle blade bottom right    Angle blade corner right    Angle blade upper right





NOTE: TOP VIEW LOOKING THROUGH U-PLATE.

- NOT SHOWN: 7 yds TUBING (25)  
 "L" CONN., QTY. 3, (18)  
 "T" CONN., QTY. 2, (19)  
 "Y" CONN., QTY. 2 (20)

**U-PLATE BOTTOM ASS'Y  
 (SPADE POCKETS)**

## U-PLATE BOTTOM ASSEMBLY SPADE

ITEM	PART NUMBER	DESCRIPTION	QTY	ITEM	PART NUMBER	DESCRIPTION	QTY
1	8010040295	Bushing, Linear Ball, 8mm lg.	6	22	8050170004	Hose Nipple, M5 x 0.8 Thd	11
2	9-200	Valve Support	1	23	8060090005	Trip	2
3	9-200	Valve Support	1	24	8060090008	Knurled Nut	2
4	8030010310	Cyl,Air 10mm Borex20mm Stroke	4	25	8030110028	Tubing, Black 3mm ID	7 yd
5	8030020132	Valve, Roller Lever 2 Position	2	26	9-200	Bearing Plate	1
6	8030020066	Valve, Flow Control	2	27	9-200	Bearing Plate	1
7	8050140052	Barbed Fitting	2	28	9-200	Bearing Plate	1
8	8040020636	Sc,Hx-Soc.,Fl.Pt. M5 x 6mm	6	29	9-200	Bearing Plate	1
9	8040020637	Sc,Hx-Soc,Fl.Pt, M4 x 5mm	2	30	9-200	Guide Plate, Corner	2
10	8040020640	Sc,Hx-Soc.,Cap,M5 x 40mm	8	31	9-200	Guide Plate	2
11	8040020641	Sc,Hx-Soc,Cap,M4 x 10mm	12	32	9-2000056	Pin, 60mm lg	4
12	8040020642	Sc,Hx-Soc,Cap, M5 x 20mm	2	33	9-2000057	Pin, 90mm lg	2
13	8040020643	Sc,Hx-Soc,Cap,M4 x 20mm	4	34	9-200	U-Plate	1
14	8040040088	Washer, Flat, M4	12	35	9-200	Edge Folder, Bottom Right	1
15	8040010119	Nut, Hex, M6 x 1.0	4	36	9-200	Edge Folder, Bottom Left	1
16	8040040092	Washer, Split Lock, M5	8	37	9-200	Edge Folder,Upper Left	1
17	8040060014	Ret.Ring, External, .625 Dia Shaft	12	38	8050220072	Universal Elbow, M5 x 0.8 Thd	2
18	8050140046	Barbed Ftg. "L" 3mm ID Hose	3	39	9-200	Edge Folder, Lower Left.	1
19	8050140047	Barbed Ftg. "T" 3mm ID Hose	3	40	9-200	Edge Folder,Upper Right	1
20	8050140048	Barbed Ftg. "Y" 3mm ID Hose	1	41	9-200	Edge Folder, Lower Right	1
21	8050220071	Universal Tee, M5 x 0.8 Thd	5	42	9-2008268	Washer Plate	2

## ASSY,U-PLATE,BOTTOM SPADE

P0	ASSY #	ITEM #2	ITEM #3	ITEM #26	ITEM #27	ITEM #28	ITEM #29	ITEM #30	ITEM #31	ITEM #34 UPLATE
P0003	2000171	2000384	2000386	2000034	2000038	2000039	2000040	2000047	2000048	2000082
P0004	2000202	2000384	2000386	2000034	2000038	2000039	2000040	2000047	2000049	2000107
P0011	2000062	2000384	2000386	2000034	2000038	2000039	2000040	2000047	2000049	2000003
P0012	2000091	2000384	2000386	2000034	2000038	2000039	2000040	2000047	2000048	2000012
P0014	2000356	2000384	2000386	2000034	2000038	2000039	2000040	2000047	2000048	2000357
P0015	2000351	2000384	2000386	2000034	2000038	2000039	2000040	2000047	2000049	2000352
P0016	2000341	2000384	2000386	2000034	2000038	2000039	2000040	2000051	2000048	2000342
P0017	2000346	2000384	2000386	2000034	2000038	2000039	2000040	2000047	2000049	2000347
P0018	2000397	2000384	2000386	2000034	2000038	2000039	2000040	2000047	2000048	2000396
P0019	2000402	2000384	2000386	2000034	2000038	2000039	2000040	2000047	2000049	2000401
P0020	2000572	2000384	2000386	2000034	2000038	2000039	2000040	2000047	2000048	2000573
P0021	2000582	2000384	2000386	2000034	2000038	2000039	2000040	2000047	2000049	2000583
P0021-1	2009085	2000384	2000385	2000042	2000042	2000039	2000040	2000050	2000049	2009086
P0022	2000420	2000384	2000386	2000034	2000038	2000039	2000040	2000047	2000049	2000421
P0023	2000577	2000385	2000386	2000034	2000038	2000041	2000042	2000051	2000053	2000578
P0024	2000587	2000384	2000386	2000034	2000038	2000039	2000040	2000047	2000048	2000588
P0025	2000592	2000384	2000386	2000034	2000038	2000039	2000040	2000047	2000048	2000593
P0026	2000407	2000385	2000386	2000034	2000038	2000041	2000042	2000051	2000053	2000406
P0028	2000651	2000384	2000386	2000034	2000038	2000039	2000040	2000047	2000048	2000652
P0029	2000656	2000384	2000385	2000039	2000040	2000041	2000042	2000053	2000049	2000657
P0030	2000597	2000384	2000386	2000034	2000038	2000039	2000040	2000047	2000049	2000598
P0032	2000469	2000384	2000386	2000034	2000038	2000039	2000040	2000047	2000048	2000470
P0033	2000486	2000384	2000386	2000034	2000038	2000039	2000040	2000047	2000048	2000487
P0034	2000474	2000384	2000386	2000034	2000038	2000039	2000040	2000047	2000048	2000475
P0035	2000491	2000384	2000386	2000034	2000038	2000039	2000040	2000047	2000049	2000492
P0040	2000731	2000384	2000386	2000034	2000038	2000039	2000040	2000047	2000049	2000732
P0041	2000736	2000384	2000386	2000034	2000038	2000039	2000040	2000047	2000048	2000737

Assembly #	Valve support	Valve support	Bearing plate	Bearing plate	Bearing plate	Bearing plate	Guide plate corner	Guide plate	U-Plate□
------------	---------------	---------------	---------------	---------------	---------------	---------------	--------------------	-------------	----------



## ASSY,U-PLATE,BOTTOM SPADE

P0	ASSY #	ITEM #2	ITEM #3	ITEM #26	ITEM #27	ITEM #28	ITEM #29	ITEM #30	ITEM #31	ITEM #34 UPLATE
P0043	2000790	2000384	2000386	2000034	2000038	2000039	2000040	2000047	2000048	2000791
P0044	2000795	2000384	2000386	2000034	2000038	2000039	2000040	2000047	2000048	2000796
P0045	2000800	2000384	2000386	2000034	2000038	2000039	2000040	2000047	2000048	2000801
P0047	2000879	2000385	2000386	2000034	2000038	2000041	2000042	2000047	2000050	2000880
P0048	2000884	2000385	2000386	2000034	2000038	2000041	2000042	2000051	2000050	2000885
P0049	2000889	2000385	2000386	2000034	2000038	2000041	2000042	2000051	2000050	2000890
P0050	2000894	2000384	2000386	2000034	2000038	2000039	2000040	2000047	2000048	2000895
P0051	2000899	2000385	2000386	2000034	2000038	2000041	2000042	2000047	2000050	2000900
P0052	2000928	2000384	2000386	2000034	2000038	2000039	2000040	2000047	2000048	2000929
P0053	2000933	2000384	2000386	2000034	2000038	2000039	2000040	2000047	2000048	2000934
P0055	2001010	2000384	2000386	2000034	2000038	2000039	2000040	2000051	2000048	2001011
P0056	2000955	2000384	2000386	2000034	2000038	2000039	2000040	2000047	2000048	2000956
P0057	2000972	2000384	2000386	2000034	2000038	2000039	2000040	2000047	2000049	2000973
P0058	2000988	2000385	2000386	2000034	2000038	2000041	2000042	2000051	2000050	2000989
P0059	2001025	2000384	2000386	2000034	2000038	2000039	2000040	2000051	2000048	2001026
P0060	2001050	2000384	2000386	2000034	2000038	2000039	2000040	2000051	2000048	2001051
P0063	2001069	2000384	2000386	2000034	2000038	2000039	2000040	2000047	2000048	2001070
P0064	2001086	2000384	2000386	2000034	2000038	2000039	2000040	2000047	2000048	2001087
P0069	2004158	2000384	2000386	2000034	2000038	2000039	2000040	2000047	2000049	2004159
P0070	2001185	2000384	2000386	2000034	2000038	2000039	2000040	2000047	2000049	2001186
P0071	2001202	2000384	2000386	2000034	2000038	2000039	2000040	2000047	2000048	2001203
P0072	2001219	2000385	2000386	2000034	2000038	2000041	2000042	2000051	2000050	2001220
P0073	2001243	2000385	2000386	2000034	2000038	2000041	2000042	2000051	2000053	2001244
P0074	2001260	2000385	2000386	2000034	2000038	2000041	2000042	2000051	2000050	2001261
P0075	2001277	2000384	2000386	2000034	2000038	2000039	2000040	2000051	2000048	2001278
P0076	2001960	2000384	2000386	2000034	2000038	2000038	2000040	2000047	2000048	2001961
P0078	2001300	2000384	2000386	2000034	2000038	2000039	2000040	2000047	2000048	2001301

Assembly #      Valve support      Valve support      Bearing plate      Bearing plate      Bearing plate      Bearing plate      Guide plate corner      Guide plate      U-Plate □

**ASSY,U-PLATE,BOTTOM  
SPADE**

P0	ASSY #	ITEM #2	ITEM #3	ITEM #26	ITEM #27	ITEM #28	ITEM #29	ITEM #30	ITEM #31	ITEM #34 UPLATE
P0079	2001317	2000384	2000386	2000034	2000038	2000039	2000040	2000051	2000048	2001318
P0082	2001404	2000385	2000386	2000034	2000038	2000041	2000042	2000047	2000050	2001405
P0084	2001427	2000385	2000386	2000034	2000038	2000041	2000042	2000047	2000050	2001428
P0087	2001444	2000384	2000385	2000041	2000042	2000039	2000040	2000053	2000048	2001445
P0088	2001503	2000384	2000385	2000041	2000042	2000039	2000040	2000053	2000049	2001504
P0089	2001520	2000384	2000385	2000041	2000042	2000039	2000040	2000053	2000048	2001521
P0090	2001537	2000384	2000386	2000034	2000038	2000039	2000040	2000047	2000048	2001538
P0091	2001554	2000384	2000386	2000034	2000038	2000039	2000040	2000047	2000048	2001555
P0092	2001486	2000385	2000386	2000034	2000038	2000041	2000042	2000051	2000053	2001487
P0093	2001574	2000384	2000386	2000034	2000038	2000039	2000040	2000047	2000048	2001575
P0101	2001591	2000384	2000386	2000034	2000038	2000039	2000040	2000047	2000048	2001592
P0102	2001718	2000385	2000386	2000034	2000038	2000041	2000042	2000051	2000053	2001719
P0103	2001810	2000384	2000386	2000034	2000038	2000039	2000040	2000047	2000048	2001811
P0104	2001844	2000384	2000386	2000034	2000038	2000039	2000040	2000047	2000048	2001845
P0105	2001789	2000384	2000386	2000034	2000038	2000039	2000040	2000047	2000049	2001828
P0106	2001789	2000384	2000386	2000034	2000038	2000039	2000040	2000047	2000048	2001790
P0107	2001884	2000385	2000386	2000034	2000038	2000041	2000042	2000047	2000050	2001885
P0111	2002102	2000384	2000386	2000034	2000038	2000039	2000040	2000047	2000048	2002103
P0112	2001938	2000384	2000386	2000034	2000038	2000039	2000040	2000047	2000049	2001939
P0114	2002016	2000384	2000386	2000034	2000038	2000039	2000040	2000047	2000049	2002017
P0116	2001999	2000384	2000386	2000034	2000038	2000039	2000040	2000047	2000049	2002000
P0118	2002033	2000384	2000386	2000034	2000038	2000039	2000040	2000047	2000048	2002034
P0119	2002050	2000384	2000386	2000034	2000038	2000039	2000040	2000047	2000049	2002051
P0120	2002084	2000385	2000386	2000034	2000038	2000041	2000042	2000047	2000050	2002085
P0121	2002121	2000384	2000386	2000034	2000038	2000039	2000040	2000047	2000049	2002122
P0122	2002171	2000384	2000386	2000034	2000038	2000039	2000040	2000047	2000049	2002172
P0123	2002154	2000384	2000386	2000034	2000038	2000039	2000040	2000047	2000049	2002155

Assembly #      Valve support      Valve support      Bearing plate      Bearing plate      Bearing plate      Bearing plate      Guide plate corner      Guide plate      U-Plate □

## ASSY,U-PLATE,BOTTOM SPADE

P0	ASSY #	ITEM #2	ITEM #3	ITEM #26	ITEM #27	ITEM #28	ITEM #29	ITEM #30	ITEM #31	ITEM #34 UPLATE
P0124	2002188	2000384	2000386	2000034	2000038	2000039	2000040	2000047	2000049	2002189
P0125	2002205	2000384	2000386	2000034	2000038	2000039	2000040	2000051	2000048	2002206
P0126	2002222	2000384	2000386	2000034	2000038	2000039	2000040	2000047	2000049	2002223
P0128	2002248	2000384	2000386	2000034	2000038	2000039	2000040	2000047	2000048	2002249
P0129	2002268	2000384	2000386	2000034	2000038	2000039	2000040	2000047	2000048	2002269
P0131	2002404	2000384	2000385	2000041	2000042	2000039	2000040	2000053	2000049	2002405
P0132	2002325	2000384	2000386	2000034	2000038	2000039	2000040	2000047	2000048	2002326
P0132A	2002574	2000384	2000386	2000034	2000038	2000039	2000040	2000047	2000048	2002575
P0133	2002342	2000384	2000385	2000041	2000042	2000039	2000040	2000053	2000049	2002343
P0134	2002359	2000384	2000386	2000034	2000038	2000039	2000040	2000047	2000049	2002360
P0135	2002376	2000385	2000386	2000034	2000038	2000041	2000042	2000051	2000050	2002377
P0138	2002458	2000384	2000385	2000041	2000042	2000039	2000040	2000053	2000049	2002459
P0139	2002475	2000384	2000385	2000041	2000042	2000039	2000040	2000053	2000048	2002476
P0145	2002536	2000384	2000386	2000034	2000038	2000039	2000040	2000051	2000048	2002537
P0146	2002553	2000385	2000386	2000034	2000038	2000041	2000042	2000051	2000050	2002554
P0148	2002591	2000384	2000386	2000034	2000038	2000039	2000040	2000047	2000048	2002592
P0150	2002608	2000384	2000386	2000034	2000038	2000039	2000040	2000047	2000048	2002609
P0151	2002628	2000384	2000386	2000034	2000038	2000039	2000040	2000047	2000048	2002629
P0152	2002648	2000384	2000385	2000041	2000042	2000039	2000040	2000053	2000049	2002649
P0153	2002668	2000384	2000385	2000041	2000042	2000039	2000040	2000053	2000048	2002669
P0154	2002688	2000385	2000385	2000041	2000042	2000041	2000042	2000053	2000050	2002689
P0158	2002715	2000384	2000386	2000034	2000038	2000039	2000040	2000047	2000049	2002716
P0161	2002756	2000385	2000386	2000034	2000038	2000041	2000042	2000047	2000050	2002757
P0162	2003197	2000384	2000386	2000034	2000038	2000039	2000040	2000047	2000048	2003198
P0168	2002865	2000384	2000386	2000034	2000038	2000039	2000040	2000047	2000048	2002866
P0169	2002885	2000384	2000386	2000034	2000038	2000039	2000040	2000047	2000049	2002886
P0171	2002969	2000384	2000385	2000041	2000042	2000039	2000040	2000053	2000049	2002970

Assembly #      Valve support      Valve support      Bearing plate      Bearing plate      Bearing plate      Bearing plate      Guide plate corner      Guide plate      U-Plate □

**ASSY,U-PLATE,BOTTOM  
SPADE**

P0	ASSY #	ITEM #2	ITEM #3	ITEM #26	ITEM #27	ITEM #28	ITEM #29	ITEM #30	ITEM #31	ITEM #34 UPLATE
P0172	2002989	2000384	2000385	2000041	2000042	2000039	2000040	2000053	2000049	2002990
P0175	2003109	2000384	2000386	2000034	2000038	2000038	2000040	2000047	2000048	2003110
P0178	2003045	2000385	2000386	2000034	2000038	2000041	2000042	2000047	2000050	2003046
P0181	2003065	2000385	2000386	2000034	2000038	2000041	2000042	2000047	2000050	2003066
P0182	2003084	2000384	2000386	2000034	2000038	2000039	2000040	2000047	2000048	2003085
P0185	2003150	2000384	2000385	2000041	2000042	2000039	2000040	2000053	2000049	2003151
P0186	2003220	2000384	2000386	2000034	2000038	2000039	2000040	2000047	2000048	2003221
P0187	2003241	2000384	2000385	2000041	2000042	2000039	2000040	2000053	2000049	2003242
P0189	2003307	2000384	2000385	2000041	2000042	2000039	2000040	2000053	2000048	2003308
P0194	2003383	2000384	2000385	2000041	2000042	2000039	2000040	2000053	2000048	2003384
P0195	2003403	2000386	2000384	2000034	2000038	2000039	2000040	2000047	2000048	2003404
P0196	2003429	2000384	2000385	2000041	2000042	2000039	2000040	2000053	2000049	2003430
P0197	2003466	2000384	2000385	2000041	2000042	2000039	2000040	2000053	2000049	2003467
P0198	2003490	2000384	2000386	2000034	2000038	2000039	2000040	2000047	2000049	2003491
P0202	2003568	2000384	2000386	2000034	2000038	2000039	2000040	2000047	2000049	2003569
P0203	2003591	2000385	2000386	2000034	2000038	2000041	2000042	2000047	2000053	2003592
P0204	2003611	2000384	2000385	2000034	2000038	2000039	2000040	2000047	2000049	2003612
P0205	2003631	2000384	2000385	2000034	2000038	2000039	2000040	2000047	2000049	2003632
P0206	2003651	2000384	2000385	2000041	2000042	2000039	2000040	2000053	2000049	2003652
P0207	2003673	2000385	2000386	2000034	2000038	2000041	2000042	2000051	2000052	2003674
P0208	2003743	2000384	2000386	2000034	2000038	2000039	2000040	2000047	2000048	2003744
P0209	2004458	2000385	2000386	2000034	2000038	2000041	2000042	2000051	2000050	2004459
P0211	2003703	2000384	2000386	2000034	2000038	2000039	2000040	2000047	2000048	2003704
P0212	2003723	2000384	2000386	2000034	2000038	2000039	2000040	2000047	2000049	2003724
P0213	2003769	2000384	2000386	2000034	2000038	2000039	2000040	2000047	2000048	2003770
P0214	2003789	2000385	2000386	2000034	2000038	2000041	2000042	2000052	2000053	2003790
P0218	2003923	2000384	2000386	2000034	2000038	2000039	2000040	2000051	2000048	2003924

Assembly #	Valve support	Valve support	Bearing plate	Bearing plate	Bearing plate	Bearing plate	Guide plate corner	Guide plate	U-Plate□
------------	---------------	---------------	---------------	---------------	---------------	---------------	--------------------	-------------	----------

## ASSY,U-PLATE,BOTTOM SPADE

P0	ASSY #	ITEM #2	ITEM #3	ITEM #26	ITEM #27	ITEM #28	ITEM #29	ITEM #30	ITEM #31	ITEM #34 UPLATE
P0221	2003943	2000384	2000386	2000034	2000038	2000039	2000040	2000047	2000048	2002944
P0222	2003974	2000385	2000386	2000034	2000038	2000041	2000042	2000053	2000047	2003975
P0227	2004017	2000385	2000386	2000034	2000038	2000041	2000042	2000051	2000053	2004018
P0229	2004065	2000384	2000385	2000041	2000042	2000039	2000040	2000053	2000049	2004066
P0230	2004045	2000384	2000386	2000034	2000038	2000039	2000040	2000047	2000048	2004046
P0234	2004703	2000384	2000386	2000034	2000038	2000039	2000040	2000047	2000048	2004704
P0238	2005512	2000385	2000386	2000034	2000038	2000041	2000042	2000051	2000050	2005513
P0239	2005532	2000384	2000386	2000034	2000038	2000039	2000040	2000047	2000048	2005533
P0241	2004226	2000384	2000386	2000034	2000038	2000039	2000040	2000047	2000048	2004227
P0242	2004246	2000384	2000386	2000034	2000038	2000039	2000040	2000047	2000048	2004247
P0243	2004266	2000384	2000386	2000034	2000038	2000039	2000040	2000047	2000048	2004267
P0244	2004295	2000384	2000385	2000041	2000042	2000039	2000040	2000053	2000049	2004296
P0245	2004335	2000384	2000386	2000034	2000038	2000039	2000040	2000047	2000048	2004336
P0246	2004355	2000384	2000386	2000034	2000038	2000039	2000040	2000047	2000048	2004356
P0257	2004401	2000384	2000386	2000034	2000038	2000039	2000040	2000047	2000048	2004402
P0260	2004421	2000384	2000385	2000041	2000042	2000039	2000040	2000053	2000049	2004422
P0261	2005036	2000384	2000385	2000041	2000042	2000039	2000040	2000050	2000048	2005037
P0263	2004724	2000385	2000386	2000034	2000038	2000041	2000042	2000051	2000053	2004725
P0264	2004788	2000386	2000386	2000034	2000038	2000034	2000038	2000051	2000047	2004789
P0265	2004806	2000385	2000386	2000034	2000038	2000041	2000042	2000047	2000053	2004807
P0266	2004826	2000385	2000386	2000034	2000038	2000041	2000042	2000047	2000050	2004827
P0268	2009520	2000385	2000386	2000034	2000038	2000042	2000042	2000051	2000053	2009521
P0271	2004871	2000385	2000386	2000034	2000038	2000041	2000042	2000051	2000053	2004872
P0272	2004911	2000385	2000386	2000034	2000038	2000041	2000042	2000047	2000053	2004912
P0273	2004931	2000385	2000386	2000034	2000038	2000041	2000042	2000047	2000050	2004932
P0276	2004852	2000385	2000386	2000034	2000038	2000041	2000042	2000051	2000050	2004853
P0277	2004972	2000384	2000386	2000034	2000038	2000039	2000040	2000047	2000048	2004973

Assembly #      Valve support      Valve support      Bearing plate      Bearing plate      Bearing plate      Bearing plate      Guide plate corner      Guide plate      U-Plate □

**ASSY,U-PLATE,BOTTOM  
SPADE**

<b>P0</b>	<b>ASSY #</b>	<b>ITEM #2</b>	<b>ITEM #3</b>	<b>ITEM #26</b>	<b>ITEM #27</b>	<b>ITEM #28</b>	<b>ITEM #29</b>	<b>ITEM #30</b>	<b>ITEM #31</b>	<b>ITEM #34 UPLATE</b>
P0280	2004992	2000385	2000386	2000034	2000038	2000041	2000042	2000047	2000050	2004993
P0281	2005012	2000384	2000386	2000034	2000038	2000039	2000040	2000047	2000048	2005013
P0285	2005167	2000385	2000386	2000034	2000038	2000039	2000040	2000047	2000049	2005168
P0292	2005191	2000384	2000386	2000034	2000038	2000039	2000040	2000047	2000049	2005192
P0293	2005211	2000384	2000385	2000041	2000042	2000039	2000040	2000053	2000049	2005212
P0297	2005256	2000384	2000386	2000034	2000038	2000039	2000040	2000047	2000048	2005257
P0298	2005374	2000384	2000386	2000034	2000038	2000039	2000040	2000047	2000048	2005375
P0299	2005394	2000384	2000386	2000034	2000038	2000039	2000040	2000047	2000048	2005395
P0301	2005414	2000384	2000386	2000034	2000038	2000039	2000040	2000047	2000048	2005415
P0302	2005434	2000385	2000386	2000034	2000038	2000041	2000042	2000047	2000050	2005435
P0305	2005454	2000385	2000386	2000034	2000038	2000041	2000042	2000047	2000050	2005455
P0308	2005492	2000384	2000386	2000034	2000038	2000039	2000040	2000047	2000048	2005493
P0312	2005560	2000384	2000386	2000034	2000038	2000039	2000040	2000047	2000048	2005561
P0313	2005580	2000384	2000386	2000034	2000038	2000039	2000040	2000047	2000049	2005581
P0315	2005604	2000384	2000386	2000034	2000038	2000039	2000040	2000047	2000048	2005605
P0316	2005625	2000384	2000386	2000034	2000038	2000039	2000040	2000047	2000049	2005626
P0317	2005646	2000384	2000385	2000041	2000042	2000039	2000040	2000053	2000049	2005647
P0320	2005727	2000384	2000386	2000034	2000038	2000039	2000040	2000047	2000048	2005728
P0321	2005747	2000384	2000386	2000034	2000038	2000039	2000040	2000047	2000049	2005748
P0324	2005772	2000384	2000386	2000034	2000038	2000039	2000040	2000047	2000048	2005773
P0325	2005794	2000384	2000386	2000034	2000038	2000039	2000040	2000047	2000048	2005795
P0326	2005816	2000384	2000386	2000034	2000038	2000039	2000040	2000047	2000049	2005817
P0333	2006009	2000384	2000386	2000034	2000038	2000039	2000040	2000047	2000049	2006010
P0334	2005939	2000384	2000386	2000034	2000038	2000039	2000040	2000051	2000048	2005940
P0335	2005961	2000385	2000386	2000034	2000038	2000041	2000042	2000051	2000050	2005962
P0337	2005985	2000384	2000386	2000034	2000038	2000039	2000040	2000051	2000048	2005986
P0339	2006029	2000385	2000386	2000034	2000038	2000041	2000042	2000047	2000050	2006030

Assembly #	Valve support	Valve support	Bearing plate	Bearing plate	Bearing plate	Bearing plate	Guide plate corner	Guide plate	U-Plate□
------------	---------------	---------------	---------------	---------------	---------------	---------------	--------------------	-------------	----------

## ASSY,U-PLATE,BOTTOM SPADE

P0	ASSY #	ITEM #2	ITEM #3	ITEM #26	ITEM #27	ITEM #28	ITEM #29	ITEM #30	ITEM #31	ITEM #34 UPLATE
P0340	2006049	2000384	2000386	2000034	2000038	2000039	2000040	2000047	2000048	2006050
P0341	2006069	2000384	2000385	2000041	2000042	2000039	2000040	2000048	2000053	2006070
P0342	2006115	2000385	2000386	2000034	2000038	2000041	2000042	2000050	2000047	2006116
P0349	2006255	2000384	2000386	2000034	2000038	2000039	2000040	2000047	2000048	2006256
P0350	2006275	2000384	2000386	2000034	2000038	2000039	2000040	2000047	2000048	2006276
P0351	2006295	2000384	2000386	2000034	2000038	2000039	2000040	2000047	2000048	2006296
P0352	2006318	2000384	2000386	2000034	2000038	2000039	2000040	2000047	2000048	2006319
P0358	2006456	2000384	2000386	2000034	2000038	2000039	2000040	2000047	2000048	2006457
P0359	2006476	2000384	2000386	2000034	2000038	2000039	2000040	2000047	2000048	2006477
P0360	2006496	2000385	2000386	2000034	2000038	2000041	2000042	2000051	2000050	2006497
P0364	2006618	2000384	2000385	2000041	2000042	2000039	2000040	2000053	2000049	2006619
P0367	2006718	2000385	2000386	2000034	2000038	2000041	2000042	2000051	2000053	2006719
P0368	2006740	2000385	2000386	2000034	2000038	2000041	2000042	2000051	2000050	2006741
P0374	2006901	2000384	2000386	2000034	2000038	2000039	2000040	2000047	2000048	2006902
P0375	2006921	2000384	2000386	2000034	2000038	2000039	2000040	2000047	2000048	2006922
P0380	2007015	2000384	2000386	2000034	2000038	2000039	2000040	2000047	2000049	2007016
P0383	2007119	2000384	2000385	2000041	2000042	2000039	2000040	2000050	2000049	2007120
P0387	2007139	2000384	2000386	2000034	2000038	2000039	2000040	2000047	2000048	2007140
P0388	2007159	2000384	2000386	2000034	2000038	2000039	2000040	2000047	2000048	2007160
P0395	2007230	2000384	2000386	2000034	2000038	2000039	2000040	2000047	2000048	2007231
P0396	2007398	2000384	2000386	2000034	2000038	2000039	2000040	2000047	2000048	2007399
P0397	2007366	2000384	2000386	2000034	2000038	2000039	2000040	2000047	2000048	2007367
P0404	2007459	2000384	2000386	2000034	2000038	2000039	2000040	2000047	2000048	2007460
P0413	2007641	2000384	2000386	2000034	2000038	2000039	2000040	2000047	2000048	2007642
P0417	2007664	2000384	2000385	2000041	2000042	2000039	2000040	2000053	2000049	2007665
P0418	2007684	200384	2000385	2000041	2000042	2000039	2000040	2000053	2000049	2007685
P0419	2007704	2000384	2000386	2000034	2000038	2000039	2000040	2000047	2000048	2007705

Assembly #      Valve support      Valve support      Bearing plate      Bearing plate      Bearing plate      Bearing plate      Guide plate corner      Guide plate      U-Plate □

## ASSY,U-PLATE,BOTTOM SPADE

P0	ASSY #	ITEM #2	ITEM #3	ITEM #26	ITEM #27	ITEM #28	ITEM #29	ITEM #30	ITEM #31	ITEM #34 UPLATE
P0420	2007724	2000384	2000386	2000034	2000038	2000039	2000040	2000047	2000048	2007725
P0421	2007744	2000384	2000385	2000041	2000042	2000039	2000040	2000053	2000049	2007745
P0422	2007764	2000384	2000385	2000041	2000042	2000039	2000040	2000053	2000049	2007765
P0426	2007835	2000385	2000386	2000034	2000038	2000041	2000042	2000047	2000050	2007836
P0440	2008116	2000385	2000386	2000034	2000038	2000041	2000042	2000047	2000050	2008117
P0442	2008224	2000384	2000386	2000034	2000038	2000039	2000040	2000047	2000048	2008225
P0458	2008379	2000384	2000385	2000041	2000042	2000039	2000040	2000053	2000049	2008380
P0459	2008401	2000384	2000385	2000041	2000042	2000039	2000040	2000053	2000049	2008402
P0466	2008542	2000384	2000385	2000042	2000042	2000039	2000040	2000053	2000048	2008543
P0470	2008582	2000384	2000385	2000042	2000042	2000039	2000040	2000053	2000049	2008583
P0471	2008645	2000384	2000385	2000042	2000042	2000039	2000040	2000053	2000048	2008648
P0472	2008624	2000385	2000386	2000034	2000038	2000042	2000042	2000047	2000050	2008625
P0475	2008707	2000384	2000385	2000042	2000042	2000039	2000040	2000053	2000048	2008708
P0477	2008729	2000384	2000385	2000042	2000042	2000039	2000040	2000053	2000048	2008730
P0480	2008804	2000384	2000385	2000042	2000042	2000039	2000040	2000053	2000049	2008805
P0484	2008852	2000385	2000386	2000034	2000038	2000042	2000042	2000047	2000050	2008853
P0485	2008872	2000384	2000386	2000034	2000038	2000039	2000040	2000047	2000048	2008873
P0489	2008941	2000384	2000385	2000042	2000042	2000039	2000040	2000053	2000048	2008942
P0490	2008949	2000384	2000386	2000034	2000038	2000039	2000040	2000047	2000048	2008950
P0491	2008957	2000384	2000386	2000034	2000038	2000039	2000040	2000047	2000048	2008958
P0492	2008989	2000385	2000386	2000034	2000038	2000042	2000042	2000051	2000053	2008990
P0496	2009009	2000384	2000386	2000034	2000038	2000039	2000040	2000047	2000048	2009010
P0497	2009037	2000385	2000386	2000034	2000038	2000042	2000042	2000051	2000053	2009038
P0498	2009057	2000385	2000386	2000034	2000038	2000042	2000042	2000047	2000050	2009058
P0499	2009077	2000385	2000386	2000034	2000038	2000042	2000042	2000047	2000050	2009078
P0501	2009126	2000384	2000385	2000034	2000038	2000039	2000040	2000047	2000048	2009127
P0502	2009146	2000384	2000385	2000042	2000042	2000039	2000040	2000053	2000049	2009147

Assembly #    Valve support    Valve support    Bearing plate    Bearing plate    Bearing plate    Bearing plate    Guide plate corner    Guide plate    U-Plate □



## ASSY,U-PLATE,BOTTOM SPADE

P0	ASSY #	ITEM #2	ITEM #3	ITEM #26	ITEM #27	ITEM #28	ITEM #29	ITEM #30	ITEM #31	ITEM #34 UPLATE
P0503	2009166	2009840	2000985	2000042	2000042	2000039	2000040	2000053	2000048	2009167
P0504	2009186	2000384	2000385	2000042	2000042	2000039	2000040	2000050	2000049	2009187
P0508	2009247	2000385	2000386	2000034	2000038	2000042	2000042	2000047	2000050	2009248
P0509	2009267	2000384	2000386	2000034	2000038	2000039	2000040	2000047	2000048	2009268
P0510	2009291	2000384	2000386	2000034	2000038	2000039	2000040	2000047	2000048	2009292
P0511	2009311	2000385	2000386	2000034	2000038	2000042	2000042	2000047	2000050	2009312
P0516	2009434	2000385	2000386	2000034	2000038	2000042	2000042	2000051	2000053	2009435
P0517	2009454	2000385	2000386	2000034	2000038	2000042	2000042	2000051	2000050	2009455
P0518	2009474	2000385	2000386	2000034	2000038	2000042	2000042	2000047	2000050	2009475
P0519	2009500	2000385	2000386	2000042	2000042	2000039	2000040	2000053	2000048	2009501
P0523	2009646	2000384	2000385	2000042	2000042	2000039	2000040	2000053	2000048	2009647
P0524	2009595	2000384	2000385	2000042	2000042	2000039	2000040	2000053	2000049	2009596
P0525	2009666	2000384	2000385	2000042	2000042	2000039	2000040	2000053	2000049	2009667
P0530	2009617	2000385	2000386	2000034	2000038	2000042	2000042	2000047	2000053	2009618
P0544	2009907	2000384	2000385	2000042	2000042	2000039	2000040	2000053	2000049	2009908
P0547	2009971	2000384	2000385	2000042	2000042	2000039	2000040	2000053	2000049	2009972
P0548	2009993	2000384	2000385	2000042	2000042	2000039	2000040	2000053	2000048	2009994
P0550	2010016	2000385	2000386	2000034	2000038	2000042	2000042	2000051	2000053	2010017

Assembly #    Valve support    Valve support    Bearing plate    Bearing plate    Bearing plate    Bearing plate    Guide plate corner    Guide plate    U-Plate □

**U-PLATE BOTTOM ASSEMBLY  
SPADE (PART 2)**

P0#	ASSY#	ITEM #35	ITEM #36	ITEM #37	ITEM #39	ITEM #40	ITEM #41
		RH/BTM	LH/BTM	LH/UPR	LH/LWR	RH/UPR	RH/LWR
P0003	2000171	2000133	2000175	2000176	2003905	2003906	2003908
P0004	2000202	2000063	2000205	2000206			
P0011	2000062	2000063	2000075	2000076	2003293	2003294	2003295
P0012	2000091	2000063	2000119	2000120		2004117	2004118
P0014	2000356	2000358	2000359	2000360			
P0015	2000351	2000353	2000354	2000355			
P0016	2000341	2000343	2000344	2000345	2003519	2003520	2003521
P0017	2000346	2000348	2000349	2000350			
P0018	2000397	2000398	2000399	2008209	2000400	2008210	2008211
P0019	2000402	2000403	2000404	2000405			
P0020	2000572	2000574	2000575	2000576			
P0021	2000582	2000584	2000585	2000586			
P0021-1	2009085	2009090	2009089	2008087	2009088	2009092	2009091
P0022	2000420	2000422	2000423	2000424	2003688	2003689	2003690
P0023	2000577	2000579	2000580	2000581			
P0024	2000587	2000589	2000590	2000591	2004280	2004281	2004282
P0025	2000592	2000594	2000595	2000596			
P0026	2000407	2000408	2000409	2000410			
P0028	2000651	2000653	2000654	2000655	2001850	2001851	2001852
P0029	2000565	2000658	2000659	2000660	2001853	2001854	2001855
P0030	2000597	2000599	2000600	2000601	2001856	2001857	2001858
P0032	2000469	2000471	2000472	2000473			
P0033	2000486	2000488	2000489	2000490			
P0034	2000474	2000476	2000477	2000478			
P0035	2000491	2000493	2000494	2000495			
P0040	2000731	2000733	2000734	2000735	2005863	2005864	2005865
P0041	2000736	2000738	2000739	2000740			
P0043	2000790	2000792	2000793	2000794	2005870	2005871	2005872
P0044	2000795	2000797	2000798	2003260	2003261	2003263	2003262

Assembly #	Edge folder blade bottom right	Edge folder blade bottom left	Edge folder blade upper left	Edge folder blade lower left	Edge folder blade upper right	Edge folder blade lower right
------------	--------------------------------------	-------------------------------------	------------------------------------	------------------------------------	-------------------------------------	-------------------------------------

**U-PLATE BOTTOM ASSEMBLY  
SPADE (PART 2)**

		<b>RH/BTM</b>	<b>LH/BTM</b>	<b>LH/UPR</b>	<b>LH/LWR</b>	<b>RH/UPR</b>	<b>RH/LWR</b>
P0045	2000800	2000802	2000803	2000804	2003840	2003841	2003842
P0047	2000879	2000881	2000882	2000883	2003681	2003682	2003683
P0048	2000884	2000886	2000887	2000888			
P0049	2000889	2000891	2000892	2000893			
P0050	2000894	2000896	2000897	2000898			
P0051	2000899	2000901	2000902	2000903	2003880	2003881	2003882
P0052	2000928	2000930	2000931	2000932	2004030	2004031	2004032
P0053	2000933	2000935	2000936	2000937	2003874	2003875	2003876
P0055	2001010	2001012	2001013	2001014			
P0056	2000955	20009957	2000958	2000959	2001919	2001920	2001921
P0057	2000972	2000974	2000975	2000976	2001945	2001946	2001947
P0058	2000988	2000990	2000991	2000992	2001910	2001911	2001912
P0059	2001025	2001027	2001028	2001029	2003282	2003283	2003284
P0060	2001050	2001052	2001053	2003270	2003271	2003272	2003273
P0063	2001069	2001071	2001072	2002949	2002950	2002951	2002952
P0064	2001086	2001088	2001089	2002953	2002954	2002955	2002956
P0069	2004158	2004160	2004161	2004162	2004163	2004164	2004165
P0070	2001185	2001187	2001188	2001189	2005994	2005995	2005996
P0071	2001202	2001204	2001205	2001206			
P0072	2001219	2001221	2001222	2009804	2009805	2009807	2009806
P0073	2001243	2001245	2001246	2001247			
P0074	2001260	2001262	2001263	2001264			
P0075	2001277	2001279	2001280	2001281			
P0076	2001960	2001962	2001963	2001964	2003685	2003686	2003687
P0078	2001300	2001302	2001303	2001304	2003290	2003291	2003292
P0079	2001317	2001319	2001320	2001321			
P0082	2001404	2001406	2001407	2001408			
P0084	2001427	2001429	2001430	2001431	2007253	2007255	2007254
P0087	2001444	2001446	2001447	2001448			
P0088	2001503	2001505	2001506	2001507			

Assembly #	Edge folder blade bottom right	Edge folder blade bottom left	Edge folder blade upper left	Edge folder blade lower left	Edge folder blade upper right	Edge folder blade lower right
------------	--------------------------------------	-------------------------------------	------------------------------------	------------------------------------	-------------------------------------	-------------------------------------

**U-PLATE BOTTOM ASSEMBLY  
SPADE (PART 2)**

		<b>RH/BTM</b>	<b>LH/BTM</b>	<b>LH/UPR</b>	<b>LH/LWR</b>	<b>RH/UPR</b>	<b>RH/LWR</b>
P0089	2001520	32001522	2001523	2001524			
P0090	2001537	2001539	2001540	2001541			
P0091	2001554	2001556	2001557	2001558			
P0092	2001486	2001488	2001489	2001490			
P0093	2001574	2001576	2001577	2003160	2003161	2003162	2003163
P0101	2001591	2001593	2001594	2001595			
P0102	2001718	2001720	2001721	2001722	2003877	2003878	2003879
P0103	2001810	2001812	2001813	2001814	2001859	2001860	2001861
P0104	2001844	2001846	2001847	2001848	2001862	2001863	2001864
P0105	2001827	2001829	2001830	2001831	2001865	2001866	2001867
P0106	2001789	2001791	2001792	2001793	2003368	2003370	2003369
P0107	2001884	2001886	2001887	2001888	2003678	2003679	2003680
P0111	2002102	2002104	2002105	2002106			
P0112	2001938	2001940	2001941	2001942			
P0114	2002016	2002018	2002019	2002020			
P0116	2001999	2002001	2002002	2002003			
P0118	2002033	2002035	2002036	2002037			
P0119	2002050	2002052	2002053	2002054			
P0120	2002084	2002086	2002087	2002088			
P0121	2002121	2002123	2002124	2002125			
P0122	2002171	2002173	2002174	2002175			
P0123	2002154	2002156	2002157	2002158			
P0124	2002188	2002190	2002191	2002192			
P0125	2002205	2002207	2002208	2002209	2009529	2009530	2009531
P0126	2002222	2002224	2002225	2002226			
P0128	2002248	2002250	2002251	2002252	2003753	2003754	2003755
P0129	2002268	2002270	2002271	2003266	2003267	2003268	2003269
P0131	2002404	2002406	2002407	2002408	2003843	2003844	2003845
P0132	2002325	2002327	2002328	2002329			
P0132A	2002574	2002576	2002577	2003117	2003118	2003119	2003120

Assembly #

Edge folder  
blade  
bottom right

Edge folder  
blade  
bottom left

Edge folder  
blade  
upper left

Edge folder  
blade  
lower left

Edge folder  
blade  
upper right

Edge folder  
blade  
lower right

**U-PLATE BOTTOM ASSEMBLY  
SPADE (PART 2)**

		<b>RH/BTM</b>	<b>LH/BTM</b>	<b>LH/UPR</b>	<b>LH/LWR</b>	<b>RH/UPR</b>	<b>RH/LWR</b>
P0133	2002342	2002344	2002345	2002346			
P0134	2002359	2002361	2002362	2002363			
P0135	2002376	2002378	2002379	2002380			
P0138	2002458	2002460	2002461	2002462			
P0139	2002475	2002477	2002478	2002479			
P0145	2002536	2002538	2002539	2002540			
P0146	2002553	2002555	2002556	2002557			
P0148	2002591	2002593	2002594	2008763	2002595	2008764	2008765
P0150	2002608	2002610	2002611	2002612	2002613	2002614	2002615
P0151	2002628	2002630	2002631	2002632	2002633	2002634	2002635
P0152	2002648	2002650	2002651	2002652	2002653	2002654	2002655
P0153	2002668	2002670	2002671	2002672	2002673	2002674	2002675
P0154	2002688	2002690	2002691	2002692	2002693	2002694	2002695
P0158	2002715	2002717	2002718	2002719	2002720	2002721	2002722
P0161	2002756	2002758	2002759	2002760	2002671	2002762	2002763
P0162	2003197	2003202	2003201	2003199	2003200	2003204	2003203
P0168	2002865	2002870	2002869	2002867	2002868	2002872	2002871
P0169	2002885	2002890	2002889	2002887	2002888	2002892	2002891
P0171	2002969	2002971	2002972	2002973	2002974	2002975	2002976
P0172	2002989	2002991	2002992	2002993	2002994	2002995	2002996
P0175	2003109	2003111	2003112	2003113	2003114	2003115	2003116
P0178	2003045	2003050	2003049	2003047	2003048	2003052	2003051
P0181	2003065	2003070	2003069	2003067	2003068	2003093	2003071
P0182	2003084	2003089	2003088	2003086	2003087	2003091	2003090
P0185	2003150	2003152	2003153	2003154	2003155	2003156	2003157
P0186	2003220	2003222	2003223	2003224	2003225	2003227	2003226
P0187	2003241	2003243	203244	2003245	2003246	2003248	2003247
P0189	2003307	2003309	2003310	2003311	2003312	2003313	2003314
P0194	2003383	2003385	2003386	2003387	2003388	2003389	2003390
P0195	2003403	2003405	2003406	2003409	2003410	2003407	2003408

Assembly #	Edge folder blade bottom right	Edge folder blade bottom left	Edge folder blade upper left	Edge folder blade lower left	Edge folder blade upper right	Edge folder blade lower right
------------	--------------------------------------	-------------------------------------	------------------------------------	------------------------------------	-------------------------------------	-------------------------------------

**U-PLATE BOTTOM ASSEMBLY  
SPADE (PART 2)**

		<b>RH/BTM</b>	<b>LH/BTM</b>	<b>LH/UPR</b>	<b>LH/LWR</b>	<b>RH/UPR</b>	<b>RH/LWR</b>
P0196	2003429	2003431	2003432	2003433	2003434	2003435	2003436
P0197	2003466	2003468	2003469	2003470	2003471	2003472	2003473
P0198	2003490	2003492	2003493	2003494	2003495	2003496	2003497
P0202	2003568	2003570	2003571	2003572	2003573	2003574	2003575
P0203	2003591	2003593	2003594	2003595			
P0204	2003611	2003613	2003614	2003615	2003616	2003617	2003618
P0205	2003631	2003622	2003634	2003635	2003636	2003637	2003638
P0206	2003651	2003653	2003654	2003655	2003656	2003657	2003658
P0207	2003743	2003675	2003676	2003677			
P0208	2003743	2003745	2003746	2003747	2003748	2003749	2003750
P0209	2004458	2004460	2004461	2004462	2004463	2004464	2004465
P0211	2003703	2003705	2003706	2003707	2003708	2003709	2003710
P0212	2003723	2003725	2003726	2003727	2003728	2003729	2003730
P0213	2003769	2003771	2003772	2003773	2003774	2003775	2003776
P0214	2003789	2003791	2003792	2003793			
P0218	2003923	2003925	2003926	2003927	2003928	2003929	2003930
P0221	2003943	2003945	2003946	2003947	2003948	2003949	2003950
P0222	2003974	2003976	2003977	2003978	2003979	2003980	2003981
P0227	2004017	2004019	2004020	2004021	2004022	2004023	2004024
P0229	2004065	2004067	2004068	2004069	2004070	2004071	2004072
P0230	2004045	2004047	2004048	2004049	2004050	2004051	2004052
P0234	2004703	2004705	2004706	2004707	2004708	2004709	2004710
P0238	2005512	2005514	2005515	2005516	2005517	2005518	2005519
P0239	2005532	2005534	2005535	2005536	2005537	2005538	2005539
P0241	2004226	2004228	2004229	2004260	2004231	2004232	2004233
P0242	2004246	2004248	2004249	2004250	2004251	2004252	2004253
P0243	2004266	2004268	2004269	2004270	2004271	2004272	2004273
P0244	2004295	2004297	2004298	2004299	2004300	2004301	2004302
P0245	2004335	2004337	2004338	2004339	2004240	2004341	2004342
P0246	2004355	2004357	2004358	2004359	2004360	2004361	2004362

Assembly #

Edge folder  
blade  
bottom right

Edge folder  
blade  
bottom left

Edge folder  
blade  
upper left

Edge folder  
blade  
lower left

Edge folder  
blade  
upper right

Edge folder  
blade  
lower right

**U-PLATE BOTTOM ASSEMBLY  
SPADE (PART 2)**

		<b>RH/BTM</b>	<b>LH/BTM</b>	<b>LH/UPR</b>	<b>LH/LWR</b>	<b>RH/UPR</b>	<b>RH/LWR</b>
P0257	2004401	2004403	2004404	2004405	2004406	2004407	2004408
P0260	2004421	2004423	2004424	2004425	2004426	2004427	2004428
P0261	2005036	2005038	2005039	2005040	2005041	2005042	2005043
P0263	2004724	2004726	2004727	2004728	2004729	2004730	2004731
P0264	2004788	2004792	2004793	2004790			
P0265	2004806	2004808	2004809	2004810	2004811	2004812	2004813
P0266	2004826	2004828	2004829	2004830	2004831	2004832	2004833
P0268	2009520	2009525	2009524	2009522	2009523	2009527	2009526
P0271	2004871	2004873	2004874	2004875	2004876	2004877	2004878
P0272	2004911	2004913	2004914	2004915	2004916	2004917	2004918
P0273	2004931	2004933	2004934	2004935	2004936	2004937	2004938
P0276	2004852	2004854	2004855	2004856	2004857	2004858	2004859
P0277	2004972	2004974	2004975	2004976	2004977	2004978	2004979
P0280	2004992	2004994	2004995	2004996	2004997	2004998	2004999
P0281	2005012	2005014	2005015	2005016	2005017	2005018	2005019
P0285	2005167	2005170	2005169	2005171	2005172	2005173	2005174
P0292	2005191	2005194	2005193	2005195	2005196	2005197	2005198
P0293	2005211	2005214	2005213	2005215	2005216	2005217	2005218
P0297	2005256	2005258	2005259	2005260	2005261	2005262	2005263
P0298	2005374	2005376	2005377	2005378	2005379	2005380	2005381
P0299	2005394	2005396	2005397	2005398	2005399	2005400	2005401
P0301	2005414	2005416	2005417	2005418	2005419	2005420	2005421
P0302	2005434	2005436	2005437	2005438	2005439	2005440	2005441
P0305	2005454	2005456	2005457	2005458	2005459	2005460	2005461
P0308	2005492	2005494	2005495	2005496	2005497	2005498	2005499
P0312	2005560	2005562	2005563	2005564	2005565	2005566	2005567
P0313	2005580	2005582	2005583	2005584	2005585	2005586	2005587
P0315	2005604	2005606	2005607	2005608	2005609	2005610	2005611
P0316	2005625	2005627	2005628	2005629	2005630	2005631	2005632
P0317	2005646	2005648	2005649	2005650	2005651	2005652	2005653

Assembly #	Edge folder blade bottom right	Edge folder blade bottom left	Edge folder blade upper left	Edge folder blade lower left	Edge folder blade upper right	Edge folder blade lower right
------------	--------------------------------------	-------------------------------------	------------------------------------	------------------------------------	-------------------------------------	-------------------------------------

**U-PLATE BOTTOM ASSEMBLY  
SPADE (PART 2)**

		<b>RH/BTM</b>	<b>LH/BTM</b>	<b>LH/UPR</b>	<b>LH/LWR</b>	<b>RH/UPR</b>	<b>RH/LWR</b>
P0320	2005727	2005729	2005730	2005731	2005732	2005733	2005734
P0321	2005747	2005749	2005750	2005751	2005752	2005753	2005754
P0324	2005772	2005774	2002775	2005776	2005777	2005778	2005779
P0325	2005794	2005796	2005797	2005798	2005799	2005800	2005801
P0326	2005816	2005818	2005819	2005820	2005821	2005822	2005823
P0333	2006009	2006011	2006012	2006013	2006014	2006015	2006016
P0334	2005939	2005941	2005942	2005943	2005944	2005945	2005946
P0335	2005961	2005963	2005964	2005965	2005966	2005967	2005968
P0337	2005985	2005987	2005988	2005989	2005990	2005991	2005992
P0339	2006029	2006031	2006032	2006033	2006034	2006035	2006036
P0340	2006049	2006051	2006052	2006053	2006054	2006055	2006056
P0341	2006069	2006071	2006072	2006073	2006074	2006075	2006076
P0342	2006115	206117	2006118	2006119	2006120	2006121	2006122
P0349	2006255	2006257	2006258	2006259	2006260	2006261	2006262
P0350	2006275	2006277	2006278	2006279	2006280	2006281	2006282
P0351	2006295	2006297	2006298	2006299	2006300	2006301	2006302
P0352	2006318	2006320	2006321	2009322	2006323	2006324	2006325
P0358	2006456	2006458	2006459	2006460	2006461	2006462	2006463
P0359	2006476	2006478	2006479	2006480	2006481	2006482	2006483
P0360	2006496	2006498	2006499	2006500	2006501	2006502	2006503
P0364	2006618	2006620	2006621	2006622	2006623	2006624	2006625
P0367	2006718	2006723	2006722	2006720	2006721	2006724	2006725
P0368	2006740	2006745	2006744	2006742	2006743	2006746	2006747
P0374	2006901	2006903	2006904	2006905	2006906	2006907	2006908
P0375	2006921	2006923	2006924	2006925	2006926	2006927	2006928
P0380	2007015	2007017	2007018	2007019	2007020	2007021	2007022
P0383	2007119	2007124	2007123	2007121	2007122	2007126	2007125
P0387	2007139	2007144	2007143	2007141	2007142	2007146	2007145
P0388	2007159	2007164	2007163	2007161	2007162	2007166	2007165
P0395	2007230	2007235	2007234	2007232	2007233	2007237	2007236

Assembly #	Edge folder blade bottom right	Edge folder blade bottom left	Edge folder blade upper left	Edge folder blade lower left	Edge folder blade upper right	Edge folder blade lower right
------------	--------------------------------------	-------------------------------------	------------------------------------	------------------------------------	-------------------------------------	-------------------------------------



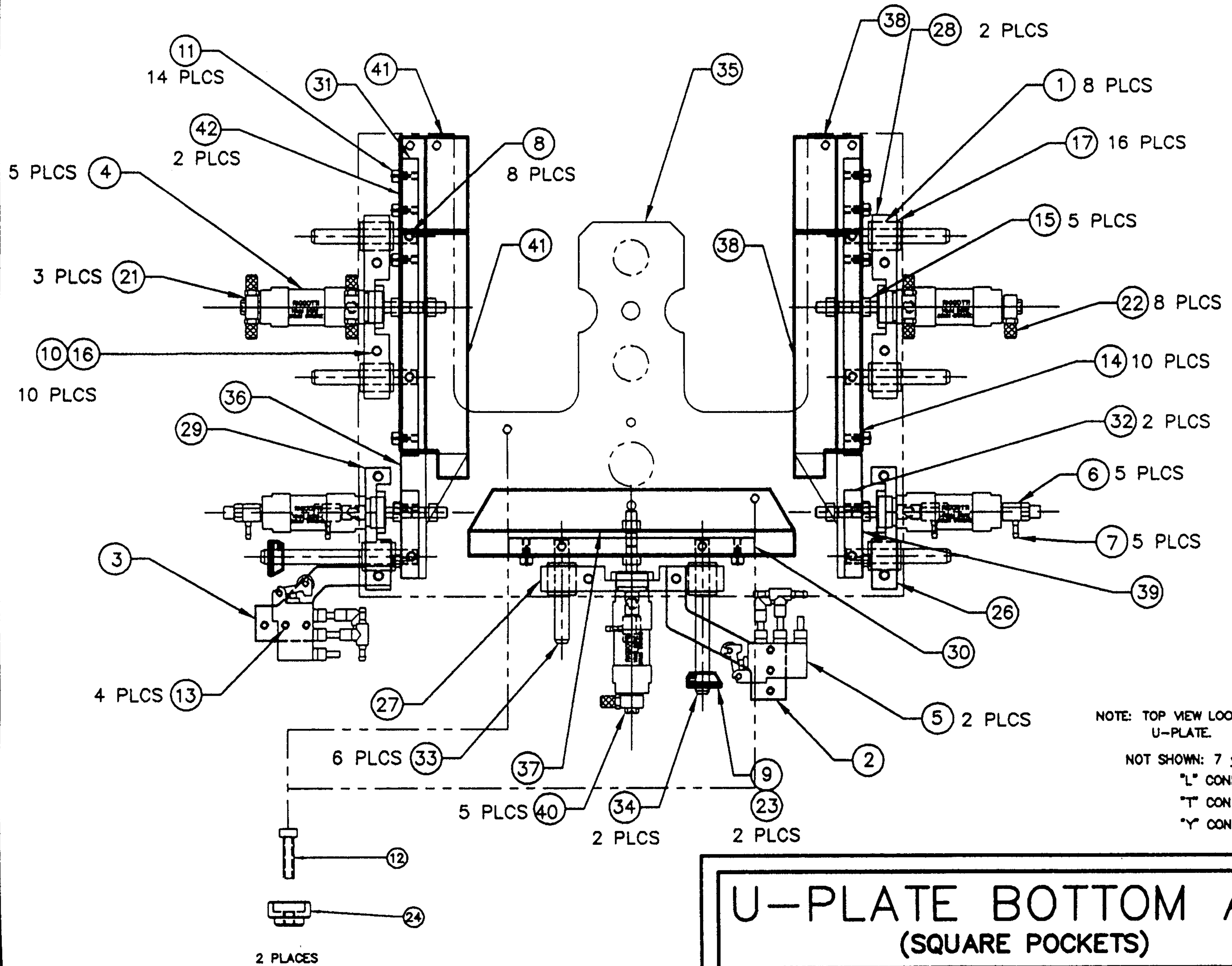
**U-PLATE BOTTOM ASSEMBLY  
SPADE (PART 2)**

		<b>RH/BTM</b>	<b>LH/BTM</b>	<b>LH/UPR</b>	<b>LH/LWR</b>	<b>RH/UPR</b>	<b>RH/LWR</b>
P0396	2007398	2007403	2007402	2007400	2007401	2007405	2007404
P0397	2007366	2007371	2007370	2007368	2007369	2007373	2007372
P0404	2007459	2007464	2007463	2007461	2007462	2007466	2007465
P0413	2007641	2007643	2007644	2007645	2007646	2007647	2007648
P0417	2007664	2007666	2007667	2007668	2007669	2007670	2007671
P0418	2007684	2007666	2007667	2007688	2007689	2007690	2007691
P0419	2007704	2007706	2007707	2007708	2007709	2007710	2007711
P0420	2007724	2007706	2007707	2007728	2007729	2007730	2007731
P0421	2007744	2007746	2007747	2007748	2007749	2007750	2007751
P0422	2007764	2007746	2007747	2007768	2007769	2007770	2007771
P0426	2007835	2007837	2007838	2007839	2007840	2007841	2007842
P0440	2008116	2008118	2008119	2008120	2008121	2008122	2008123
P0442	2008224	2008226	2008227	2008228	2008229	2008230	2008231
P0458	2008379	2008384	2008383	2008381	2008382	2008386	2008385
P0459	2008401	2008406	2008405	2008403	2008404	2008408	2008407
P0466	2008542	2008547	2008546	2008544	2008545	2008549	2008548
P0470	2008582	2008584	2008585	2008586	2008587	2008588	2008589
P0471	2008645	2008646	2008647	2008649	2008650	2008651	2008652
P0472	2008624	2008629	2008628	2008626	2008627	2008631	2008630
P0475	2008707	2008709	2008710	2008711	2008712	2008713	2008714
P0477	2008729	2008731	2008732	2008733	2008734	2008735	2008736
P0480	2008852	2008809	2008808	2008806	2008807	2008811	2008810
P0484	2008872	2008859	2008856	2008854	2008855	2008857	2008858
P0485	2008875	2008877	2008876	2008874	2008875	2008879	2008878
P0489	2008941	2008946	2008945	2008974	2008944	2008948	2008947
P0490	2008949	2008954	2008953	2008951	2008952	2008956	2008955
P0491	2008957	2008962	2008961	2008959	2008960	2008964	2008963
P0492	2008989	2008994	2008993	2008991	2008992	2008995	2008996
P0496	2009009	2009014	2009013	2009011	2009012	2009016	2009015
P0497	2009037	2009042	2009041	2009039	2009040	2009044	2009043

Assembly #	Edge folder blade bottom right	Edge folder blade bottom left	Edge folder blade upper left	Edge folder blade lower left	Edge folder blade upper right	Edge folder blade lower right
------------	--------------------------------------	-------------------------------------	------------------------------------	------------------------------------	-------------------------------------	-------------------------------------







NOTE: TOP VIEW LOOKING THROUGH  
U-PLATE.

NOT SHOWN: 7 yds TUBING (25)  
1" L" CONN., QTY. 2 (18)  
1" T" CONN., QTY. 5 (19)  
1" Y" CONN., QTY. 3 (20)

**U-PLATE BOTTOM ASS'Y  
(SQUARE POCKETS)**

2 PLACES

**U-PLATE BOTTOM ASSEMBLY  
SQUARE**

ITEM	PART NUMBER	DESCRIPTION	QTY	ITEM	PART NUMBER	DESCRIPTION	QTY
1	8010040295	Bushing, Linear Ball, 8mm Lg.	8	25	8030110028	Tubing, Black 3mm ID	8
2	9-2000---	Valve Support	1	26	9-2000---	Bearing Plate	2
3	9-2000---	Valve Support	1	27	9-2000---	Bearing Plate	2
4	8030010310	Cyl, Air 10mm Borex20mm Stroke	5	28	9-2000---	Bearing Plate, Sides	7yd
5	*8030020132	Valve, Roller Lever 2 Position	2	29	9-2000---	Bearing Plate	1
6	8030020066	Valve, Flow Control	5	30	9-2000---	Guide Plate	1
7	8050140052	Barbed Fitting	5	31	9-2000---	Guide Plate	2
8	8040020636	Scr, Hx-Soc.Set,Fl. Pt. M5 x 6mm	8	32	9-2000---	Guide Plate	1
9	8040020637	Scr, Hx-Soc.Set, Fl. Pt. M4 x 5mm	2	33	9-2000056	Pin, 60mm Lg.	1
10	8040020640	Scr, Hx-Soc. Cap, M5 x 40mm	10	34	9-2000057	Pin, 90mm Lg.	2
11	8040020641	Scr, Hx-Soc. Cap, M4 x 10mm	14	35	9-2000---	U-Plate	2
12	*8040020642	Scr, Hx-Soc. Cap, M5 x 20mm	2	36	9-2000---	Edge Folder, Corner, Left	6
13	8040020643	Scr, Hx-Soc. Cap, M4 x 20mm	4	37	9-2000---	Edge Folder, Bottom	2
14	8040040088	Washer, Flat, M4	10	38	9-2000---	Edge Folder, Side, Lower Right	1
15	8040010119	Nut, Hex, M6 x 1.0	5	36	9-2000---	Edge Folder, Corner, Left	1
16	8040040092	Washer, Split Lock, M5	10	37	9-2000---	Edge Folder, Bottom	1
17	8040060014	Ret.Ring, External, .625 Dia Shaft	16	38	9-2000---	Edge Folder, Side, Lower Right	1
18	*8050140046	Barbed Ftg. "L" 3mm ID Hose	3	39	38-2000---	Edge Folder, Side, Upper Right	1
19	*8050140047	Barbed Ftg. "T" 3mm ID Hose	3or5	39	9-2000---	Edge Folder, Corner, Right	1
20	8050140048	Barbed Ftg. "Y" 3mm ID Hose	3	40	8050220072	Universal Elbow, M5 x 0.8 Thd.	5
21	8050220071	Universal Tee, M5 x 0.8 Thd.	3	41	9-2000---	Edge Folder, Side, Lower Left	1
22	8050170004	Hose Nipple, M5 x 0.8 Thd.	8	41	9-2000---	Edge Folder, Side, Upper Left	1
23	8060009005	Trip	3	42	9-2008268	Washer Plate	2
24	*8060090008	Knurled Nut	3				

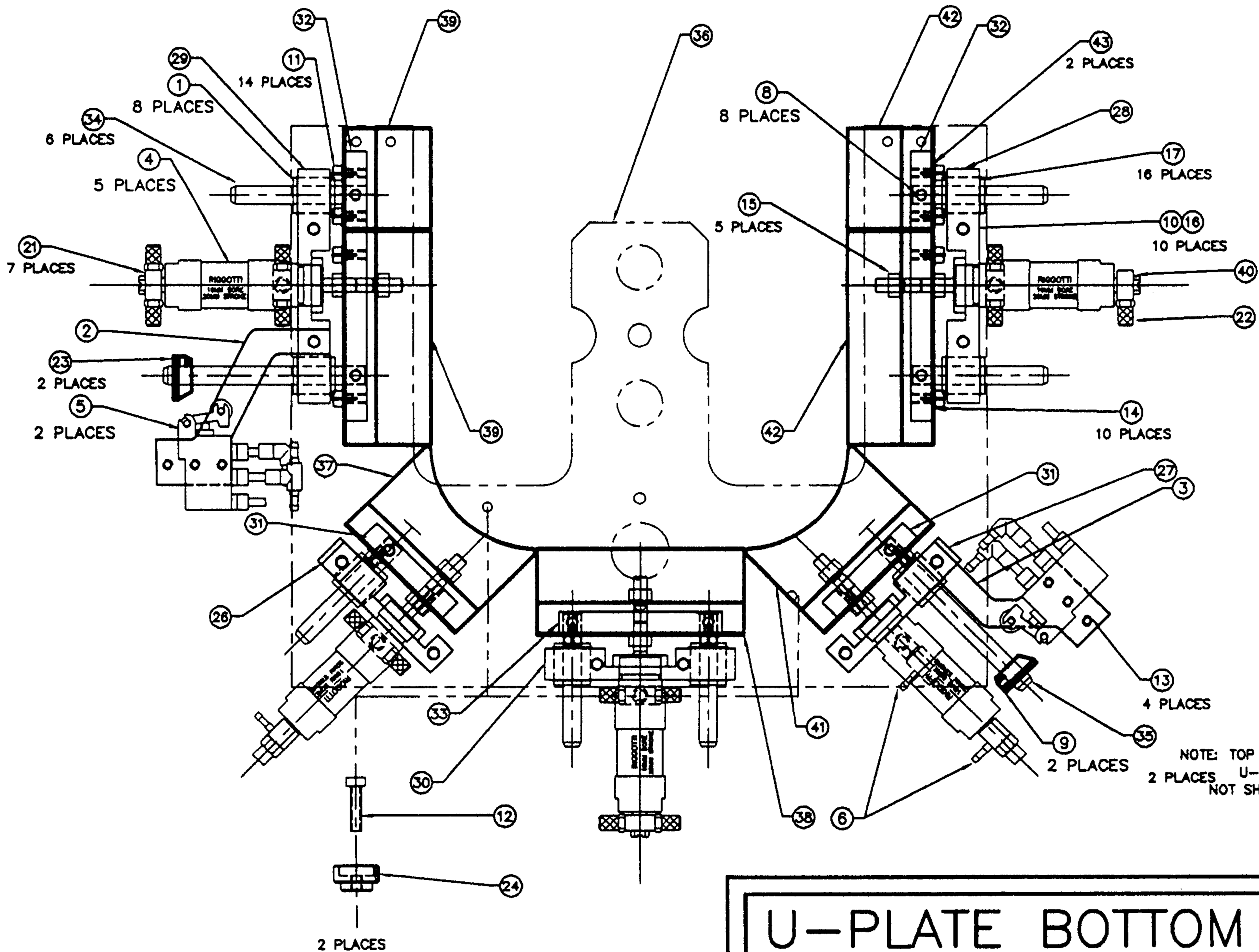
## U-PLATE BOTTOM ASSEMBLY SQUARE

P0	ASSY #	ITEM #2	ITEM #3	ITEM #26	ITEM #27	ITEM #28	ITEM #29	ITEM #30	ITEM #31	ITEM #34 UPDATE
P0042	2005298	2000385	2000386	2000034	2000042	2000041	2000038	2000050	2000050	2000051
P0113	2001976	2000385	2000386	2000034	2000038	2000034	2000042	2000053	2000051	2000047
P0113-A	2008340	2000385	2000386	2000034	2000038	2000034	2000042	2000053	2000051	2000047
P0163-A	2008149	2000384	2000386	2000034	2000040	2000039	2000038	2000048	2000048	2000051
P0193	2003448	2000384	2000386	2000034	2000040	2000039	2000038	2000049	2000054	2000051
P0219	2003900	2000385	2000385	2000034	2000042	2000041	2000038	2000050	2000053	2000051
P0296	2005275	2000384	2000386	2000034	2000040	2000039	2000038	2000048	2000051	2000051
P0307	2005474	2000385	2000386	2000034	2000042	2000041	2000038	2000053	2000053	2000051
P0345	2006155	2000385	2000386	2000034	2000042	2000039	2000038	2000050	2000048	2000051
P0346	2006171	2000384	2000386	2000034	2000040	2000039	2000038	2000049	2000049	2000051
P0355	2006388	2000384	2000386	2000034	2000040	2000039	2000038	2000049	2000049	2000051
P0370	2006779	2000384	2000386	2000034	2000040	2000039	2000038	2000049	2000049	2000051
P0373	2006818	2000384	2000386	2000034	2000040	2000039	2000038	2000049	2000048	2000051
P0408	2007485	2000384	2000386	2000034	2000040	2000039	2000038	2000049	2000049	2000051
P0409	2007501	2000384	2000386	2000034	2000040	2000039	2000038	2000049	2000049	2000051
P0431	2007860	2000384	2000386	2000034	2000042	2000034	2000038	2000053	2000047	2000051
P0441	2008139	2000384	2000386	2000034	2000040	2000039	2000038	2000049	2000048	2000051
P0456	2008243	2000384	2000386	2000034	2000040	2000039	2000038	2000049	2000049	2000051
P0457	2008261	2000384	2000386	2000034	2000040	2000039	2000038	2000054	2000049	2000051
P0469	2008605	2000384	2000386	2000034	2000040	2000042	2000038	2000049	2000050	2000051
P0481	2008756	2000384	2000386	2000034	2000040	2000039	2000038	2000054	2000049	2000051

Assembly #    Valve support    Valve support    Bearing plate    Bearing plate    Bearing plate sides    Bearing plate    Guide plate    Guide plate    U-Plate □

**U-PLATE BOTTOM ASSEMBLY  
SQUARE (PART 2)**

<b>P0</b>	<b>ASSY #</b>	<b>ITEM #35</b>	<b>ITEM #36</b>	<b>ITEM #37</b>	<b>ITEM #38</b>	<b>ITEM #38</b>	<b>ITEM #39</b>	<b>ITEM #41</b>	<b>ITEM #41</b>
		<b>RH/BTM</b>	<b>LH/BTM</b>	<b>LH/UPR</b>	<b>RH/LWR</b>	<b>RH/UPR</b>	<b>BOTTOM</b>	<b>LH/LWR</b>	<b>LH/UPR</b>
P0042	2005298	2005299	2003452	2005302	2005301		2003453	2005300	
P0113	2001976	2001977	2003452	2001978	2001979		2003453	2008340	
P0113-A	2008340	2008341	2003452	2008343	2008344		2003453	2008342	
P0163-A	2008149	2008150	2003452	2008153	2008152	2008127	2003453	2008151	2008126
P0193	2003448	2003449	2003909	2003451	2003578		2003910	2003450	
P0219	2003900	2003901	2003452	2003904	2003902		2003453	2003903	
P0296	2005275	2005276	2003452	2005279	2005278		2003453	2005277	
P0307	2005474	2005475	2003452	2005478	2005477		2003453	2005476	
P0345	2006155	2006156	2003452	2006158	2006159		2003453	2006157	
P0346	2006171	2006172	2003452	2006175	2006174		2003453	2006173	
P0355	2006388	2006389	2003452	2006392	2006394	2006393	2003453	2006391	2006390
P0370	2006779	2006780	2003452	2006783	2006785	2006784	2003453	2006782	2006781
P0373	2006818	2006819	2003452	2006822	2006824	2006823	2003453	2006821	2006820
P0408	2007485	2007486	2003452	2007488	2007509	2007489	2003453	2007508	2007487
P0409	2007501	2007502	2003452	2007505	2007506	2007507	2003453	2007504	2007503
P0431	2007860	2007861	2003452	2007864	2007863		2003453	2007862	
P0441	2008139	2008140	2003452	2008143	2008145	2008144	2003453	2008142	2008141
P0456	2008243	2008244	2003452	2008247	2008249	2008248	2003453	2008246	2008245
P0457	2008261	2008262	2003452	2008265	2008267	2008266	2003453	2008264	2008263
P0469	2008605	2008606	2003452	2008609	2008611	2008610	2003453	2008608	2008607
P0481	2008756	2008757	2003452	2008760	2008762	2008761	2003453	2008759	2008758



NOTE: TOP VIEW LOOKING THROUGH  
 U-PLATE.  
 2 PLACES  
 NOT SHOWN: 7 yds TUBING (25)  
 "L" CONN., QTY. 3, (18)  
 "T" CONN., QTY. 3, (19)  
 "Y" CONN., QTY. 2 (20)

**U-PLATE BOTTOM ASS'Y**  
**(ROUND POCKETS)**



**U-PLATE BOTTOM ASSEMBLY  
ROUND**

ITEM	PART NUMBER	DESCRIPTION	QTY	ITEM	PART NUMBER	DESCRIPTION	QTY
1	8010040295	Bushing, Linear Ball, 8mm Lg.	8	25	8030110028	Tubing, Black 3mm ID	7yds
2	9-2000---	Valve Support	1	26	9-2000---	Bearing Plate	1
3	9-2000---	Valve Support	1	27	9-2000---	Bearing Plate	1
4	8030010310	Cyl, Air 10mm Borex20mm Stroke	4	28	9-2000---	Bearing Plate	1
5	*8030020132*	Valve, Roller Lever 2 Position	2	29	9-2000---	Bearing Plate	1
6	8030020066	Valve, Flow Control	3	30	9-2000---	Bearing Plate	1
7	8050140052	Barbed Fitting	3	31	9-2000---	Guide Plate	2
8	8040020636	Scr, Hx-Soc.Set, Fl. Pt. M5 x 6mm	8	32	9-2000---	Guide Plate	2
9	8040020637	Scr, Hx-Soc.Set, Fl. Pt. M4 x 5mm	2	33	9-2000---	Guide Plate	1
10	8040020640	Scr, Hx-Soc. Cap, M5 x 40mm	10	34	9-2000056	Pin, 60mm Lg.	6
11	8040020641	Scr, Hx-Soc. Cap, M4 x 10mm	14	35	9-2000057	Pin, 90mm Lg.	2
12	*8040020642*	Scr, Hx-Soc. Cap, M5 x 20mm	2	36	9-2000---	Pfaff U-Plate	1
13	8040020643	Scr, Hx-Soc. Cap, M4 x 20mm	4	37	9-2000---	Edge Folder, Corner, Left	1
14	8040040088	Washer, Flat, M4	10	38	9-2000---	Edge Folder, Bottom	1
15	8040010119	Nut, Hex, M6 x 1.0	5	39	9-2000---	Edge Folder, Side, Lower Left	1
16	8040040092	Washer, Split Lock, M5	10	39	9-2000---	Edge Folder, Side, Upper Left	1
17	8040060014	Ret.Ring, External, .625 Dia Shaft	16	40	8050220072	Universal Elbow, M5 x 0.8 Thd.	2
18	*8050140046*	Barbed Ftg. "L" 3mm ID Hose	3	41	9-2000---	Edge Folder, Corner Right	1
19	*8050140047*	Barbed Ftg. "T" 3mm ID Hose	2or3	42	9-2000---	Edge Folder, Side, Lower Right	1
20	8050140048	Barbed Ftg. "Y" 3mm ID Hose	2	42	9-2000---	Edge Folder, Side, Upper Right	1
21	8050220071	Universal Tee, Me x 0.8 Thd.	6	43	9-2008268	Washer Plate	2
22	8050170004	Hose Nipple, M5 x 0.8 Thd.	13				
23	8060090005	Trip	2				
24	*8060090008*	Knurled Nut	2				

## U-PLATE BOTTOM ASSEMBLY ROUND

P0	ASSY #	ITEM #2	ITEM #3	ITEM #26	ITEM #27	ITEM #28	ITEM #29	ITEM #30	ITEM #31	ITEM #32	ITEM #33
P0010	2000272	2000384	2000386	2000034	2000038	2000039	2000040	2000041	2000052	2000048	2000050
P0038	2000721	2000384	2000386	2000034	2000038	2000039	2000040	2000041	2000048	2000050	2000052
P0039	2000726	2000384	2000386	2000034	2000038	2000039	2000040	2000041	2000049	2000050	2000052
P0147	2002497	2000384	2000386	2000034	2000038	2000039	2000040	2000041	2000047	2000048	2000053
P0170	2002942	2000384	2000386	2000034	2000038	2000039	2000040	2000041	2000051	2000048	2000053
P0176	2003011	2000384	2000386	2000034	2000038	2000041	2000042	2000034	2000051	2000050	2000051
P0177	2003028	2000384	2000386	2000034	2000038	2000034	2000038	2000034	2000051	2000047	2000051
P0184	2003178	2000384	2000386	2000038	2000038	2000041	2000042	2000034	2000052	2000050	2000047
P0200	2003512	2000384	2000386	2000034	2000038	2000039	2000040	2000041	2000052	2000048	2000050
P0216	2003808	2000384	2000386	2000034	2000038	2000039	2000040	2000034	2000047	2000048	2000047
P0255	2004658	2000385	2000386	2000034	2000038	2000041	2000042	2000039	2000047	2000053	2000048
P0256	2004683	2000385	2000386	2000034	2000038	2000041	2000042	2000039	2000047	2000053	2000049
P0262	2004632	2000385	2000386	2000034	2000038	2000039	2000040	2000041	2000051	2000049	2000050
P0274	2004954	2000385	2000386	2000034	2000038	2000041	2000042	2000038	2000052	2000053	2000051
P0283	2005096	2000385	2000386	2000034	2000038	2000041	2000042	2000034	2000051	2000050	2000047
P0284	2005120	2000385	2000386	2000034	2000038	2000041	2000042	2000034	2000052	2000053	2000047
P0314	2008044	2000385	2000386	2000034	2000038	2000041	2000042	2000034	2000051	2000050	2000051
P0322	2005709	2000385	2000386	2000034	2000038	2000041	2000042	2000034	2000052	2000050	2000051
P0343	2006366	2000385	2000386	2000034	2000038	2000041	2000042	2000034	2000052	2000053	2000051
P0344	2006137	2000386	2000386	2000034	2000038	2000034	2000038	2000034	2000052	2000051	2000052
P0347	2006190	2000385	2000386	2000034	2000038	2000041	2000042	2000038	2000052	2000050	2000053
P0348	2006211	2000385	2000386	2000034	2000038	2000041	2000042	2000038	2000052	2000053	2000051
P0357	2006428	2000385	2000386	2000034	2000038	2000041	2000042	2000034	2000051	2000050	2000047
P0402	2007420	2000386	2000386	2000034	2000038	2000038	2000034	2000034	2000047	2000051	2000052
P0403	2007438	2000386	2000386	2000038	2000034	2000034	2000038	2000034	2000047	2000047	2000052
P0415	2007601	2000385	2000386	2000034	2000038	2000041	2000042	2000034	2000047	2000050	2000051
P0416	2007621	2000384	2000386	2000034	2000038	2000039	2000040	2000041	2000051	2000049	2000053
P0427	2007917	2000384	2000385	2000041	2000042	2000034	2000040	2000034	2000053	2000049	2000047

Assembly #

Valve  
support

Valve  
support

Bearing  
plate

Bearing  
plate

Bearing  
plate

Bearing  
plate

Bearing  
plate

Guide plate

Guide plate

Guide plate



**U-PLATE BOTTOM ASSEMBLY  
ROUND (PART 2)**

P0	ASSY #	ITEM #36	ITEM #37	ITEM #38	ITEM #39	ITEM #41	ITEM #42	ITEM #39	ITEM #42
		U-PLATE	LH/CRNR	BTTM	LH/LWR	RH/CRNR	RH/LWR	LH/UPR	RH/UPR
P0010	2000272	2000211	2000276	2000277	2000260	2000276	2000260		
P0038	2000721	2000722	2000725	2000724	2000723	2000725	2000723		
P0039	2000726	2000727	2000730	2000729	2000728	2000730	2000728		
P0147	2002497	2002498	2002500	2002501	2002499	2002502	2002503		
P0170	2002942	2002943	2002945	2002946	2002944	2002947	2002948		
P0176	2003011	2003012	2003014	2003015	2003013	2003016	2003017		
P0177	2003028	2003029	2003014	2003015	2003030	2003016	2003031		
P0184	2003178	2003179	2003181	2003182	2003180	2003183	2003184		
P0200	2003512	2003513	2003516	2003518	2003514	2003517	2003515		
P0216	2003808	2003809	2003811	2003812	2008528	2003811	2008529	2003810	2003813
P0255	2004658	2004659	2004662	2004663	2004661	2004664	2004660		
P0256	2004683	2004684	2004687	2004688	2004686	2004689	2004685		
P0262	2004632	2004633	2004637	2004635	2004634	2004629	2004636		
P0274	2004654	2004955	2004959	2004956	2009894	2004958	2004957		
P0283	2005096	2005097	2005101	2005099	2005098	2005102	2005098		
P0284	2005120	2005121	2005126	2005123	2005122	2005125	2005122		
P0314	2008044	2008045	2008047	2008048	2008072	2008049	2008073	2008046	2008074
P0322	2005709	2005710	2005712	2005714	2005711	2005713	2005711		
P0343	2006366	2006367	2006371	2006369	2006368	2006370	2007025		
P0344	2006137	2006138	2006139	2006140	2006141	2006142	2006143		
P0347	2006190	2006191	2006193	2006194	2006192	2006195	2006192		
P0348	2006211	2006212	2006214	2005215	2006213	2006216	2006213		
P0357	2006628	2006429	2006432	2006433	2006430	2006998	2006431		
P0402	2007420	2007421	2007423	2007424	2007422	2007423	2007425		
P0403	2007438	2007439	2007441	2007442	2007440	2007441	2007444		
P0415	2007601	2007602	2007604	2007605	2007603	2007604	2007606		
P0416	2007621	2007622	2007625	2007626	2007624	2007625	2007627	2007623	2007628

Assembly #

U-plate

Edge folder  
left corner

Edge folder  
bottom

Edge folder  
lower left side

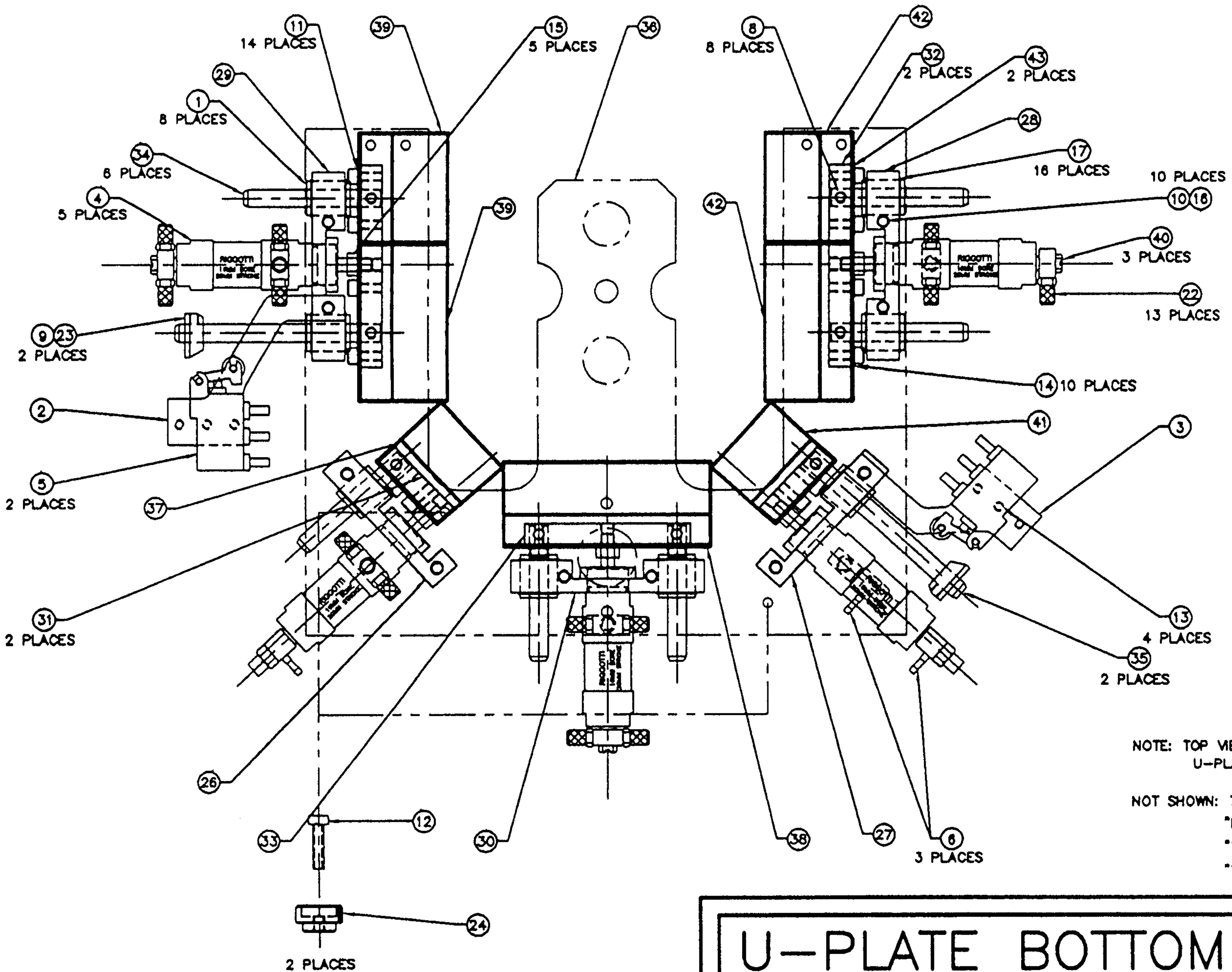
Edge folder  
right corner

Edge folder  
lower right side

Edge folder  
upper left side

Edge folder  
upper right side





NOTE: TOP VIEW LOOKING THROUGH U-PLATE.

NOT SHOWN: 7 FT TUBING (25)  
 "L" CONN., QTY. 3, (18)  
 "T" CONN., QTY. 3, (19)  
 "Y" CONN., QTY. 2 (20)

**U-PLATE BOTTOM ASS'Y  
 (MITER POCKETS)**

**U- PLATE BOTTOM ASSEMBLY  
MITER W/ SPLIT BLADES**

ITEM	PART NUMBER	DESCRIPTION	QTY	ITEM	PART NUMBER	DESCRIPTION	QTY
1	8010040295	Bushing, Linear Ball, 8mm Lg.	8	23	8060090005	Trip	2
2	9-2000---	Valve Support	1	24	8060090008	Knurled Nut	2
3	9-2000---	Valve Support	1	25	8030110028	Tubing, Black 3mm ID	7ft
4	8030010310	Cyl, Air 10mm Borex20mm Stroke	5	26	9-2000---	Bearing Plate	1
5	8030020132	Valve, Roller Lever 2 Position	2	27	9-2000---	Bearing Plate	1
6	8030020066	Valve, Flow Control	3	28	9-2000---	Bearing Plate	1
7	8050140052	Barbed Fitting	3	29	9-2000---	Bearing Plate	1
8	8040020636	Scr, Hx-Soc.Set, Fl. Pt. M5 x 6mm	8	30	9-2000---	Bearing Plate	2
9	8040020637	Scr, Hx-Soc.Set, Fl. Pt. M4 x 5mm	2	31	9-2000---	Guide Plate	2
10	8040020640	Scr, Hx-Soc. Cap, M5 x 40mm	10	32	9-2000---	Guide Plate	2
11	8040020641	Scr, Hx-Soc. Cap, M4 x 10mm	14	33	9-2000---	Guide Plate	1
12	8040020642	Scr, Hx-Soc. Cap, M5 x 20mm	2	34	9-2000056	Pin, 60mm Lg.	6
13	8040020643	Scr, Hx-Soc. Cap, M4 x 20m	4	35	9-2000057	Pin, 90mm Lg.	2
14	8040040088	Washer, Flat, M4	10	36	9-2000---	U-Plate	1
15	8040010119	Nut, Hex, M6 x 1.0	5	37	9-2000---	Edge Folder, Corner, Left	1
16	8040040092	Washer, Split Lock, M5	10	38	9-2000---	Edge Folder, Bottom	1
17	8040060014	Ret.Ring, External, .625	16	39	9-2000---	Edge Folder, Side, Lower Left	1
18	8050140046	Barbed Ftg. "L" 3mm ID Hose	3	39	9-2000---	Edge Folder, Side, Upper Left	1
19	8050140047	Barbed Ftg. "T" 3mm ID Hose	2or3	40	8050220072	Universal Elbow, M5 x 0.8 Thd.	2
20	8050140048	Barbed "Y" 3mm ID Hose	2	41	9-2000---	Edge Folder, Corner, Right	1
21	8050220071	Universal Tee, M5 x 0.8 Thd.	6	42	9-2000---	Edge Folder, Side, Lower Right	1
22	8050170004	Hose Nipple, M5 x 0.8 Thd.	13	42	9-2000---	Edge Folder, Side, Upper Right	1
				43	9-2008268	Washer Plate	2

## U-PLATE BOTTOM ASSEMBLY MITER

PO	ASSY #	ITEM #2	ITEM #3	ITEM #26	ITEM #27	ITEM #28	ITEM #29	ITEM #30	ITEM #31	ITEM #32
P0013	2000253	2000384	2000386	2000034	2000038	2000039	2000040	2000041	2000052	2000048
P0054	2001384	2000385	2000386	2000034	2000038	2000042	2000042	2000042	2000052	2000050
P0117	2002089	2000385	2000386	2000034	2000038	2000041	2000042	2000034	2000052	2000050
P0137	2002480	2000385	2000386	2000034	2000038	2000041	2000042	2000034	2000052	2000050
P0167	2002916	2000384	2000386	2000034	2000038	2000039	2000040	2000041	2000052	2000049
P0240	2004202	2000385	2000386	2000034	2000038	2000041	2000042		2000052	2000050
P0291	2005072	2000384	2000386	2000034	2000038	2000039	2000040	2000041	2000052	2000048
P0318	2005669	2000384	2000386	2000034	2000038	2000039	2000040	2000039	2000052	2000049
P0356	2006409	2000384	2000386	2000034	2000038	2000039	2000040	2000034	2000051	2000049
P0363	2006638	2000384	2000386	2000034	2000038	2000039	2000040	2000041	2000052	2000054
P0365	2006673	2000385	2000386	2000034	2000038	2000041	2000042	2000034	2000052	2000050
P0366	2006696	2000385	2000386	2000034	2000038	2000041	2000042	2000034	2000052	2000050
P0369	2006760	2000384	2000386	2000034	2000038	2000039	2000040	2000041	2000052	2000048
P0382	2007098	2000384	2000386	2000034	2000038	2000039	2000040	2000041	2000051	2000049
P0389	2007184	2000384	2000386	2000034	2000038	2000039	2000040	2000041	2000051	2000048
P0398	2007284	2000384	2000386	2000034	2000038	2000039	2000040	2000041	2000051	2000049
P0429	2007887	2000384	2000386	2000034	2000038	2000039	2000040	2000041	2000052	2000048
P0437	2008004	2000384	2000386	2000034	2000038	2000039	2000040	2000041	2000051	2000048
P0461	2008422	2000384	2000386	2000034	2000038	2000039	2000040	2000041	2000051	2000049
P0467	2008501	2000385	2000386	2000034	2000038	2000042	2000042	2000034	2000052	2000053
P0482	2008825	2000384	2000386	2000034	2000038	2000039	2000040	2000042	2000052	2000048
P0526	2009549	2000385	2000386	2000034	2000038	2000042	2000042	2000034	2000051	2000050
P0527	2009570	2000385	2000386	2000034	2000038	2000042	2000042	2000042	2000051	2000050
P0540	2009831	2000384	2000386	2000034	2000038	2000039	2000040	2000042	2000052	2000049

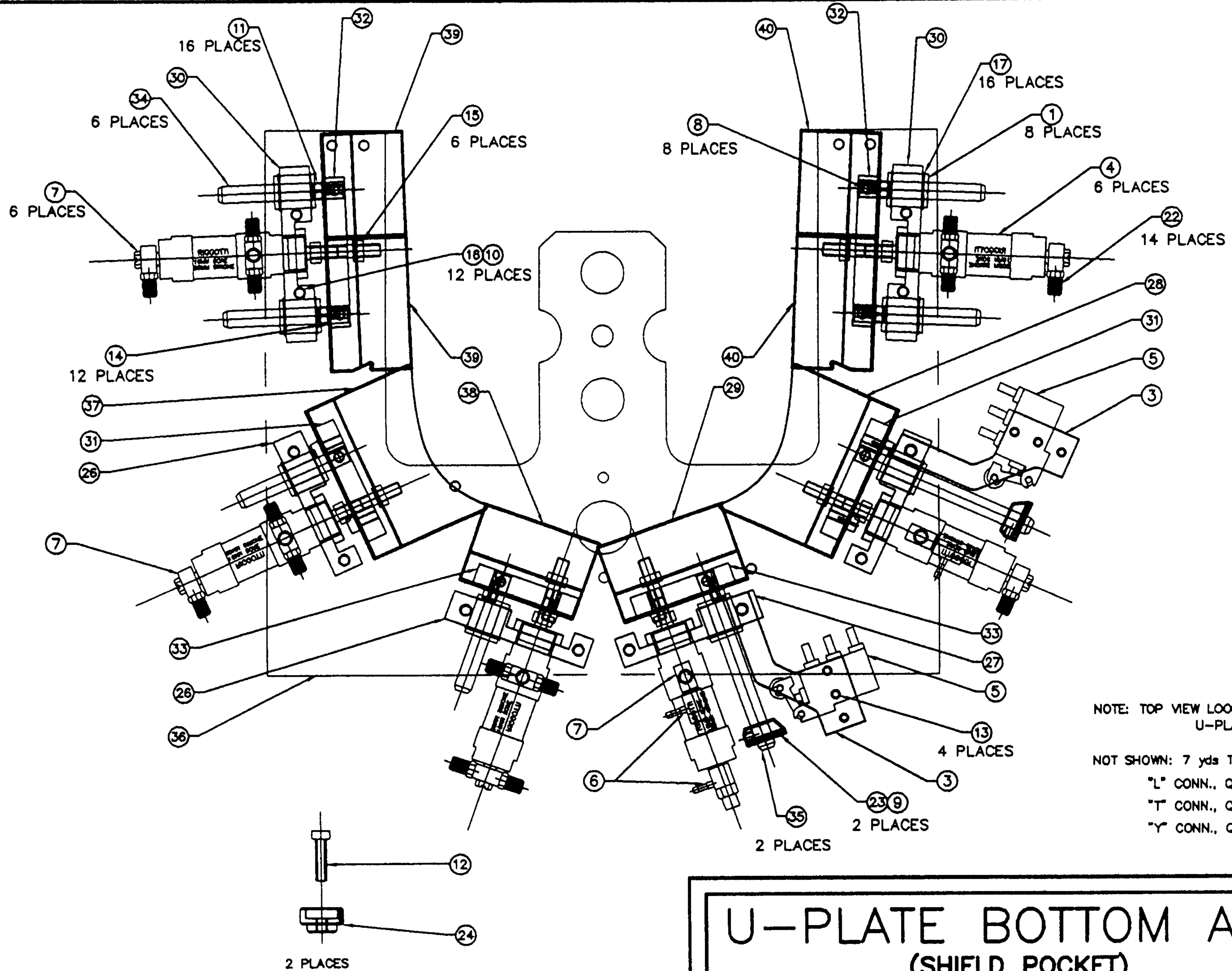
Assembly #      Valve support      Valve support      Bearing plate      Bearing plate      Bearing plate      Bearing plate      Bearing plate      Guide plate      Guide plate



**U-PLATE BOTTOM ASSEMBLY  
MITER (Part 2)**

PO	ASSY #	ITEM #33	ITEM #36	ITEM #37 LH/CRNR	ITEM #38 BTTM	ITEM #39 LH/LWR	ITEM #41 RH/CRNR	ITEM #42 RH/LWR	ITEM #39 LH/UPR	ITEM #42 RH/UPR
P0013	2000253	2000050	2000237	2000262	2000261	2000260				
P0054	2001384	2000053	2001385	2000950	2000949	2009276	2009275	2000950	2009277	2009278
P0117	2002089	2000047	2002068	2002069	2002070	2002071				
P0137	2002480	2000047	2002442	2002443	2002444	2002445				
P0167	2002916	2000050	2002917	2002918	2002919	2002920				
P0240	2004202	2000047	2004203	2004206	2004205	2004204		2004207		
P0291	2005072	2000053	2005073	2005075	2005076	2005074				
P0318	2005669	2000048	2005670	2005672	2005673	2005671				
P0356	2006409	2000048	2006410	2006412	2006413	2006435	2006411	2006434	2006437	2006436
P0363	2006638	2000050	2006639	2006642	2006643	2006641	2006640	2006644	2006645	2006646
P0365	2006673	2000047	2006674	2006677	2006678	2006676	2006675	2006677	2006680	2006679
P0366	2006696	2000047	2006697	2006700	2006701	2006699	2006698	2006700	2006703	2006702
P0369	2006770	2000050	2006761	2006764	2006765	2006763	2006762	2006764	2006767	2006766
P0382	2007098	2000050	2007099	2007102	2007103	2007101	2007100	2007104	2007105	2007106
P0389	2007184	2000053	2007185	2007188	2007189	2007187	2007186	2007190	2007191	2007192
P0398	2007284	2000050	2007285	2007288	2007289	2007287	2007286	2007288	2007290	2007291
P0429	2007887	2000053	2007888	2007891	2007893	2007890	2007889	2007891	2007895	2007894
P0437	2008004	2000050	2008005	2008008	2008009	2008007	2008006	2008008	2008011	2008012
P0461	2008422	2000050	2008423	2008426	2008427	2008425	2008424	2008420	2008429	2008428
P0467	2008501	2000051	2008502	2008505	2008506	2008504	2008503	2008505	2008508	2008507
P0482	2008825	2000053	2008826	2008829	2008830	2008828	2008827	2008829	2008832	2008831
P0526	2009549	2000047	2009550	2009553	2009554	2009552	2009551	2009553	2009555	2009556
P0527	2009570	2000053	2009832	2009574	2009575	2009573	2009572	2009574	2009576	2009577
P0540	2009831	2000050	2009832	2009835	2009836	2009834	2009833	2009835	2009837	2009838

Assembly #    Bearing plate    U-plate    Edge folder left corner    Edge folder bottom    Edge folder lower left side    Edge folder right corner    Edge folder lower right side    Edge folder upper left side    Edge folder upper right side



NOTE: TOP VIEW LOOKING THROUGH U-PLATE.

NOT SHOWN: 7 yds TUBING (25)  
 "L" CONN., QTY. 2 (18)  
 "T" CONN., QTY. 2 (19)  
 "Y" CONN., QTY. 8 (20)

**U-PLATE BOTTOM ASS'Y**  
**(SHIELD POCKET)**

**U- PLATE BOTTOM ASSEMBLY  
W/ SPLIT BLADES  
SHIELD**

ITEM	PART NUMBER	DESCRIPTION	QTY	ITEM	PART NUMBER	DESCRIPTION	QTY
1	8010040295	Bushing, Linear Ball, 8mm Lg.	8	23	8060090005	Trip	2
2	8050140052	Barbed Fitting	3	24	*8060090008	Knurled Nut	2
3	9-2000386	Valve Support	2	25	8030110028	Tubing, Black 3mm ID	7
4	8030010310	Cyl, Air 10mm Borex20mm Stroke	6	26	9-2000034	Bearing Plate	2
5	*8030020132	Valve, Roller Lever 2 Position	2	27	9-2000038	Bearing Plate	2
6	8030020066	Valve, Flow Control	3	28	9-2000---	Edge Folder, Corner, Right	1
7	8050220072	Universal Elbow, M5 x 0.8 Thd.	6	29	9-2000---	Edge Folder, Bottom, Right	1
8	8040020636	Scr, Hx-Soc.Set, Fl. Pt. M5 x 6mm	8	30	9-2000---	Bearing Plate, Side	2
9	8040020637	Scr, Hx-Soc.Set, Fl. Pt. M4 x 5mm	2	31	9-2000---	Guide Plate, Corner	2
10	8040020640	Scr, Hx-Soc. Cap, M5 x 40mm	12	32	9-2000---	Guide Plate, Side	2
11	8040020641	Scr, Hx-Soc. Cap, M4 x 10mm	16	33	9-2000---	Guide Plate, Bottom	2
12	*8040020642	Scr, Hx-Soc. Cap, M5 x 20mm	2	34	9-2000056	Pin, 60mm Lg.	6
13	8040020643	Scr, Hx-Soc. Cap, M4 x 20mm	4	35	9-2001471	Pin, 120mm Lg.	2
14	8040040088	Washer, Flat, M4	12	36	9-2000---	Pfaff U-Plate	1
15	8040010119	Nut, Hex, M6 x 1.0	6	37	9-2000---	Edge, Folder, Corner, Left	1
16	8040040092	Washer, Split Lock, M5	12	38	9-2000---	Edge, Folder, Bottom, Left	1
17	8040060014	Ret.Ring, External, .625 Dia Shaft	16	39	9-2000---	Edge Folder, Side, Lower Left	1
18	*8050140046	Barbed Ftg. "L" 3mm ID Hose	2	39	9-2000---	Edge Folder, Side, Upper Left	1
19	*8050140047	Barbed Ftg. "T" 3mm ID Hose	4	40	9-2000---	Edge Folder, Side, Lower Right	1
20	8050140048	Barbed Ftg. "Y" 3mm ID Hose	4	40	9-2000---	Edge Folder, Side, Upper Right	1
21	8050220071	Universal Tee, M5 x 0.8 Thd.	5	41	9-2008268	Washer Plate	1
22	8050170004	Hose Nipple, M5 x 0.8 Thd.	14				

## ASSY,U-PLATE,BOTTOM SHIELD

P0	ASSY#	ITEM #28	ITEM #29	ITEM #30	ITEM #31	ITEM #32	ITEM #33	ITEM #35	ITEM #36
P0065	2001105	2001167	2001168	2000041	2000047	2000053	2000052	2000057	2001106
P0066	2001124	2001170	2001171	2000041	2000047	2000053	2000052	2000057	2001125
P0081	2001375	2001388	2001389	2000041	2000047	2000053	2000051	2000057	2001376
P0083	2001463	2001465	2001466	2000041	2000051	2000050	2000051	2000057	2001464
P0094	2001610	2001612	2001613	2000034	2000052	2000047	2000052	2001471	2001611
P0095	2001632	2001634	2001635	2000034	2000052	2000047	2000052	2001471	2001633
P0096	2001654	2001656	2001657	2000041	2000052	2000053	2000051	2001471	2001655
P0097	2001676	2001678	2001679	2000041	2000052	2000050	2000051	2001471	2001677
P0098	2001698	2001700	2001701	2000041	2000052	2000050	2000051	2001471	2001699
P0099	2001747	2001749	2001750	2000041	2000052	2000050	2000047	2001471	2001748
P0100	2001769	2001771	2001772	2000041	2000052	2000050	2000047	2001471	2001770
P0100A	2002518	2002520	2002521	2000041	2000052	2000050	2000047	2001471	2002519
P0159	2002797	2002800	2002803	2000041	2000052	2000053	2000051	2001471	2002798
P0164	2002830	2002834	2002836	2000039	2000047	2000048	2000047	2001471	2002831
P0164-A	2002830	2002834	2002836	2000039	2000048	2000047	2000047	2001471	2002831
P0192	2003862	2003864	2003865	2000041	2000047	2000050	2000051	2001471	2003863
P0217	2003830	2003832	2003834	2000039	2000051	2000048	2000047	2001471	2003831
P0228	2004104	2004106	2004109	2000041	2000052	2000050	2000051	2001471	2004105
P0249	2004511	2004517	2004515	2000034	2000052	2000051	2000052	2000057	2004512
P0250	2004531	2004537	2004535	2000034	2000051	2000051	2000051	2000057	2004532
P0251	2004552	2004558	2004557	2000034	2000051	2000051	2000047	2000057	2004553
P0252	2004572	2004578	2004576	2000050	2000051	2000041	2000051	2001471	2004573
P0253	2004592	2004598	2004597	2000042	2000051	2000050	2000052	2000057	2004593
P0254	2004611	2004617	2004615	2000042	2000051	2000053	2000052	2001471	2004612
P0290	2005144	2005151	2005147	2000034	2000052	2000047	2000052	2001471	2005145
P0300	2005355	2005361	2005359	2000042	2000047	2000053	2000051	2001471	2005356
P0328	2005917	2005923	2005922		2000051		2000052	2001471	2005918

Assembly #	Edge folder right corner	Edge folder right bottom	Bearing plate side	Guide plate corner	Guide plate side	Guide plate bottom	Pin	U-plate
------------	-----------------------------	-----------------------------	-----------------------	-----------------------	---------------------	-----------------------	-----	---------



**U-PLATE BOTTOM ASSEMBLY  
SHIELD (PART 2)**

<b>P0</b>	<b>ASSY</b>	<b>ITEM #37 LH/CRNR</b>	<b>ITEM #38 LH/BTM</b>	<b>ITEM #39 LH/LWR</b>	<b>ITEM #39 LH/UPR</b>	<b>ITEM #40 RH/LWR</b>	<b>ITEM #40 RH/UPR</b>
P0065	2001105	2001107	2001108	2001109		2001169	
P0066	2001124	2001126	2001127	2001128		2001172	
P0081	2001375	2001377	2001378	2001379		2001380	
P0083	2001463	2001467	2001468	2001469		2001470	
P0094	2001610	2001614	2001615	2001616		2001617	
P0095	2001632	2001636	2001637	2001638		2001639	
P0096	2001654	2001658	2001659	2001660		2001661	
P0097	2001676	2001680	2001681	2001682		2001683	
P0098	2001698	2001702	2001703	2001704		2001705	
P0099	2001747	2001751	2001752	2001753		2001754	
P0100	2001769	2001773	2001774	2001775		2001776	
P0100A	2002518	2002522	2002523	2001775		2001776	
P0159	2002797	2002799	2002804	2002801		2002802	
P0164	2002830	2002835	2002837	2002832		2002833	
P0164-A	2002830	2002835	2002837	2002832		2002833	
P0192	2003862	2003866	2003867	2003869		2003868	
P0217	2003830	2003833	2003835	2003837		2003836	
P0228	2004104	2004107	2004108	2004110		2004111	
P0249	2004511	2004517	2004516	2004514		2004515	
P0250	2004531	2004538	2004536	2004534		2004533	
P0251	2004552	2004558	2004556	2004554		2004555	
P0252	2004572	2004578	2004577	2004575		2004574	
P0253	2004592	2004598	2004596	2004594		2004595	
P0254	2004611	2004617	2004614	2004613		2004616	
P0290	2005144	2005150	2005146	2005148		2005149	
P0300	2005355	2005360	2005358	2005357		2005357	
P0328	2005917	2005920	2005921	2005919		2005924	

Assembly #

Edge folder  
left corner

Edge folder  
bottom

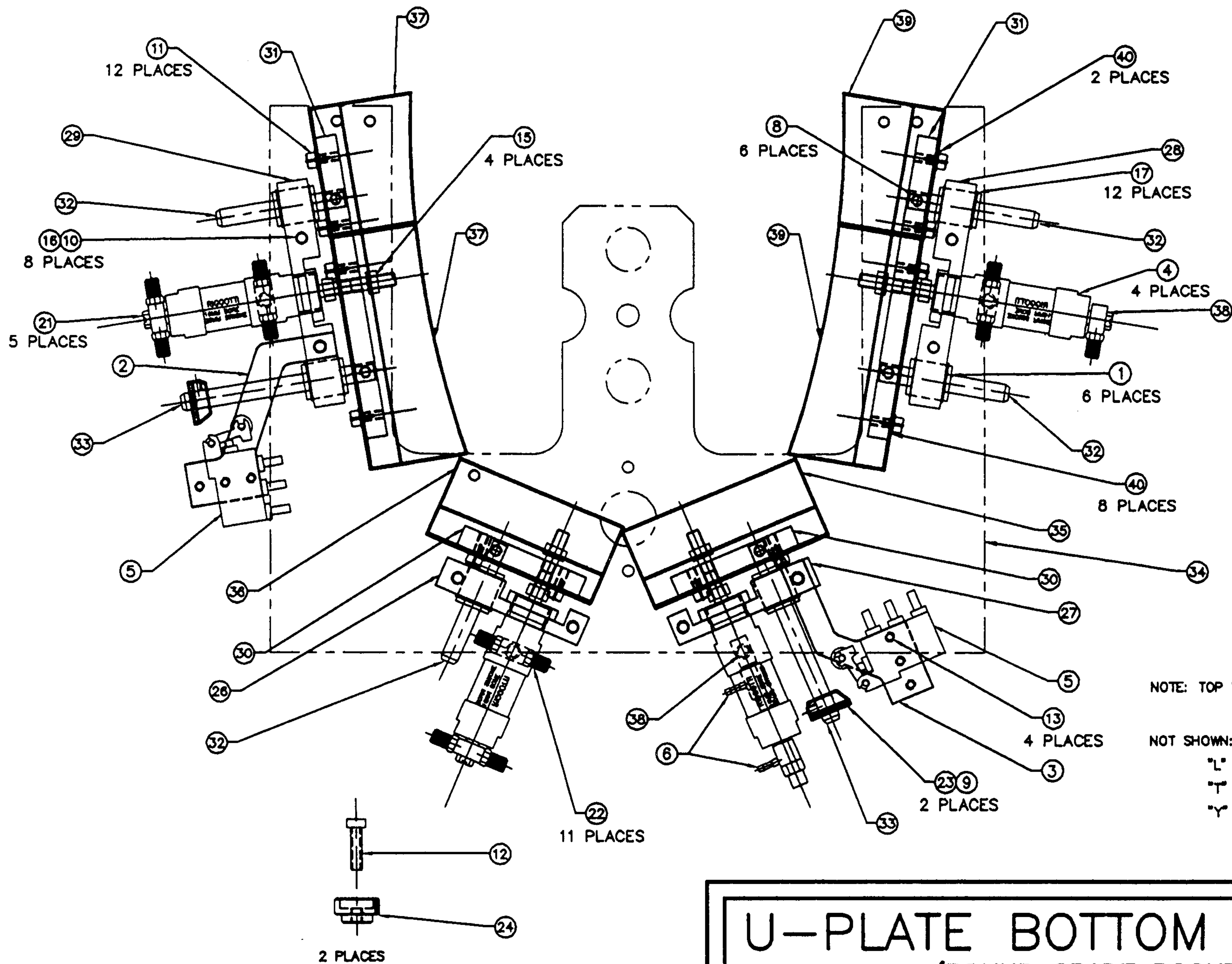
Edge folder  
lower left side

Edge folder  
upper left side

Edge folder  
lower right side

Edge folder  
upper right side





NOTE: TOP VIEW LOOKING THROUGH U-PLATE.

NOT SHOWN: 7 yds TUBING (25)  
 "L" CONN., QTY. 3, (18)  
 "T" CONN., QTY. 3, (19)  
 "Y" CONN., QTY. 2 (20)

**U-PLATE BOTTOM ASS'Y**  
 (ROUND SPADE POCKET)



U-PLATE BOTTOM ASSEMBLY  
(ROUND SPADE)

ITEM	PART NUMBER	DESCRIPTION	QTY
1	8010040295	Bushing, Linear Ball, 8mm Lg	6
2	9-2000---	Valve Support	1
3	9-2000---	Valve Support	1
4	8030010310	Cyl, Air 10mm Bore x 20 mm Stroke	4
5	8030020132	Valve, Roller Lever 2 Position	2
6	8030020066	Valve, Flow Control	2
7	8050140052	Barbed Fitting	2
8	8040020636	Scr, Hx-Soc Set, Fl Pt M5 x 6mm Lg	6
9	8040020637	Scr, Hx-Soc Set, Fl Pt M4 x 5mm Lg	2
10	8040020640	Scr, Hx-Soc Cap, M5 x 40mm Lg	8
11	8040020641	Scr, Hx-Soc Cap, M4 x 10mm Lg	12
12	8040020642	Scr, Hx-Soc Cap, M5 x 20mm Lg	2
13	8040020643	Scr, Hx-Soc Cap, M4 x 20mm Lg	4
14	8040040088	Washer, Flat, M4	8
15	8040010119	Nut, Hex, M6 x 1.0	4
16	8040040092	Washer, Split Lock, M5	8
17	8040060014	Ret Ring, External, .625 Dia Shaft	12
18	8050140046	Barbed Ftg "L" 3mm ID Hose	3
19	8050140047	Barbed Ftg "T" 3mm ID Hose	2 or 1
20	8050140048	Barbed Ftg "Y" 3mm ID Hose	2
21	8050220071	Universal Tee, M5 x 0.8 Thd	5
22	8050220004	Hose Nipple, M5 x 0.8 Thd	11

ITEM	PART NUMBER	DESCRIPTION	QTY
23	8060090005	Trip	2
24	8060090008	Knurled Nut	2
25	8030110028	Tubing, Black 3mm ID	7
26	9-200----	Bearing Plate	1
27	9-200----	Bearing Plate	1
28	9-200----	Bearing Plate	1
29	9-200----	Bearing Plate	1
30	9-200---	Guide Plate, Corner	2
31	9-200----	Guide Plate	2
32	9-2000056	Pin, 60mm Lg	4
33	9-2000057	Pin, 90mm Lg	2
34	9-200----	U-Plate	1
35	9-200----	Edge Folder, Right Corner	1
36	9-200----	Edge Folder, Left Corner	1
37	9-200----	Edge Folder, Lower Side Left	1
37	9-200----	Edge Folder, Upper Side Left	1
38	8050220072	Universal Elbow, M5 x 0.8 Thd	2
39	9-200----	Edge Folder, Lower Right, Side	1
39	9-200----	Edge Folder, Upper Right, Side	1
40	9-2008268	Washer Plate	2

**U-PLATE BOTTOM  
SPADE ROUND**

P0	ASSY #	ITEM #2	ITEM #3	ITEM #26	ITEM #27	ITEM #28	ITEM #29	ITEM #30	ITEM #31
P0067	2001141	2000384	2000386	2000034	2000038	2000039	2000040	2000047	2000049
P0068	2001158	2000384	2000386	2000034	2000038	2000039	2000040	2000051	2000049
P0077	2001336	2000384	2000386	2000034	2000038	2000039	2000040	2000047	2000049
P0127	2002287	2000384	2000386	2000034	2000038	2000039	2000040	2000047	2000049
P0136	2002421	2000384	2000386	2000034	2000038	2000039	2000040	2000047	2000049
P0156	2002739	2000384	2000386	2000034	2000038	2000039	2000040	2000047	2000049
P0190	2003339	2000384	2000386	2000034	2000038	2000039	2000040	2000047	2000049
P0191	2003361	2000384	2000386	2000034	2000038	2000039	2000040	2000047	2000049
P0201	2003550	2000384	2000386	2000034	2000038	2000039	2000040	2000047	2000049
P0236	2004140	2000384	2000386	2000034	2000038	2000039	2000040	2000047	2000049
P0237	2004178	2000384	2000386	2000034	2000038	2000039	2000040	2000047	2000048
P0278	2004893	2000384	2000386	2000034	2000038	2000039	2000040	2000047	2000048
P0295	2005237	2000385	2000386	2000034	2000038	2000041	2000042	2000047	2000050
P0311	2005851	2000384	2000385	2000041	2000042	2000039	2000040	2000053	2000048
P0372	2006841	2000384	2000385	2000041	2000042	2000039	2000040	2000053	2000048
P0376	2006861	2000384	2000385	2000041	2000042	2000039	2000040	2000053	2000048
P0377	2006881	2000384	1000385	2000041	2000042	2000039	2000040	2000047	2000048
P0378	2006970	2000384	2000386	2000034	2000038	2000039	2000040	2000047	2000048
P0379	2006990	2000384	2000386	2000034	2000038	2000039	2000040	2000047	2000048
P0384	2007040	2000384	2000385	2000041	2000042	2000039	2000040	2000053	2000048
P0385	2007059	2000384	2000385	2000041	2000042	2000039	2000040	2000053	2000049
P0386	2007078	2000384	2000385	2000041	2000042	2000039	2000040	2000053	2000049
P0399	2007348	2000384	2000386	2000034	2000038	2000039	2000040	2000047	2000048
P0400	2007308	2000384	2000386	2000034	2000038	2000039	2000040	2000047	2000048
P0401	2007328	2000384	2000386	2000034	2000038	2000039	2000040	2000047	2000048
P0405	2007564	2000384	2000385	2000041	2000042	2000039	2000040	2000053	2000048
P0406	2007524	2000384	2000385	2000041	2000042	2000039	2000040	2000053	2000048
P0407	2007544	2000384	2000385	2000041	2000042	2000039	2000040	2000053	2000048

Assembly #

Valve  
support

Valve  
support

Bearing  
plate

Bearing  
plate

Bearing  
plate

Bearing  
plate

Guide plate  
corner

Guide plate

H:\Pfaff\Masters\Tables\Upbtsprd



**U-PLATE BOTTOM ASSEMBLY  
ROUND SPADE (PART 2)**

<b>P0</b>	<b>ASSY #</b>	<b>ITEM #34</b>	<b>ITEM #35</b>	<b>ITEM #36</b>	<b>ITEM #37 LH/LWR</b>	<b>ITEM #39 RH/LWR</b>	<b>ITEM #37 LH/UPR</b>	<b>ITEM #39 RH/UPR</b>
P0067	2001141	2001142	2001143	2001144	2001145	2001228		
P0068	2001158	2001159	2001160	2001161	2001162	2001229		
P0077	2001336	2001337	2001338	2001339	2001340	2001341		
P0127	2002287	2002288	2002289	2002290	2002291	2002292		
P0136	2002421	2002422	2002423	2002424	2002425	2002428		
P0156	2002739	2002740	2002741	2002742	2002743	2002807		
P0190	2003339	2003340	2003343	2003342	2003341	2003344		
P0191	2003361	2003362	2003365	2003364	2003363	2003366		
P0201	2003550	2003551	2003554	2003553	2003552	2003555		
P0236	2004140	2004141	2004142	2004143	2004145	2004144		
P0237	2004178	2004179	2004180	2004181	2004183	2004182		
P0278	2004893	2004894	2004897	2004898	2004895	2004896		
P0295	2005237	2005238	2005242	2005241	2005239	2005240		
P0311	2005851	2005852	2005854	2005853	2005855	2005856		
P0372	2006841	2006842	2006844	2006843	2006845	2006846		
P0376	2006861	2006862	2006864	2006863	2006865	2006866		
P0377	2006881	2006882	2006884	2006883	2006885	2006886		
P0378	2006970	2006971	2006974	2006973	2006972	2006994		
P0379	2006990	2006991	2006992	2006993	2006995	2006994		
P0384	2007040	2007167	2007042	2007041	2007043	2007044		
P0385	2007059	2007168	2007161	2007060	2007062	2007063		
P0386	2007078	2007169	2007080	2007079	2007081	2007082		
P0399	2007348	2007349	2007351	2007350	2007352	2007353		
P0400	2007308	2007309	2007311	2007310	2007312	2007313		
P0401	2007328	2007329	2007331	2007330	2007332	2007333		
P0405	2007564	2007565	2007567	2007566	2007568	2007569		
P0406	2007524	2007525	2007527	2007526	2007528	2007529		
P0407	2007544	2007545	2007547	2007546	2007548	2007549		
P0463	2008452	2008453	2008455	2008454	2008456	2008457		
P0468	2008564	2008565	2008567	2008566	2008569	2008571	2008568	2008570

Assembly #

U-plate

Edge folder  
right corner

Edge folder  
left corner

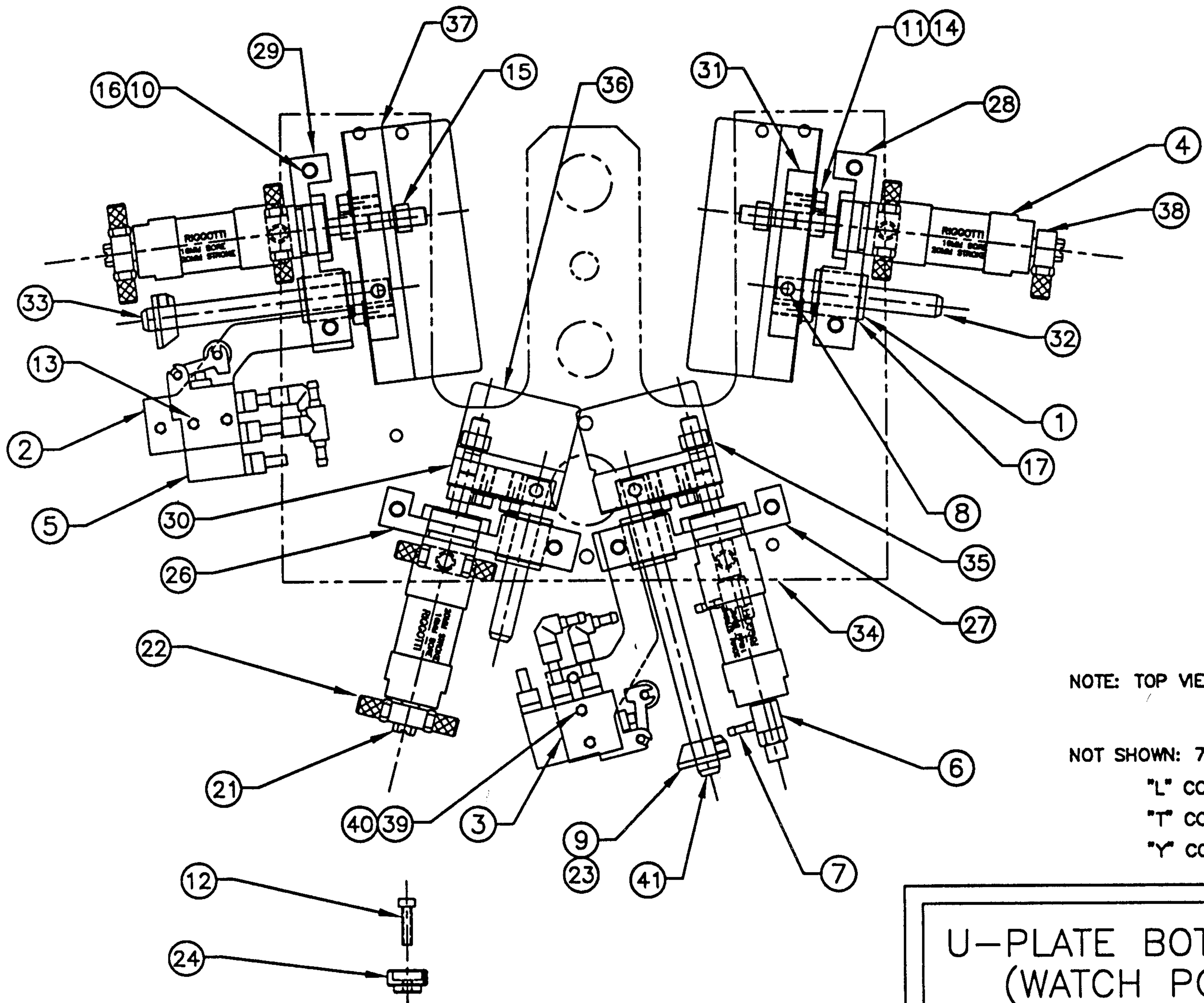
Edge folder  
lower left side

Edge folder  
upper left side

Edge folder  
lower right side

Edge folder□  
upper right side





NOTE: TOP VIEW LOOKING THROUGH  
U-PLATE.

NOT SHOWN: 7 yds TUBING (25)  
 "L" CONN., QTY. 3, (18)  
 "T" CONN., QTY. 2, (19)  
 "Y" CONN., QTY. 2 (20)

U-PLATE BOTTOM ASS'Y  
(WATCH POCKETS)

U-PLATE BOTTOM ASS'Y  
(SPADE WATCH POCKETS)

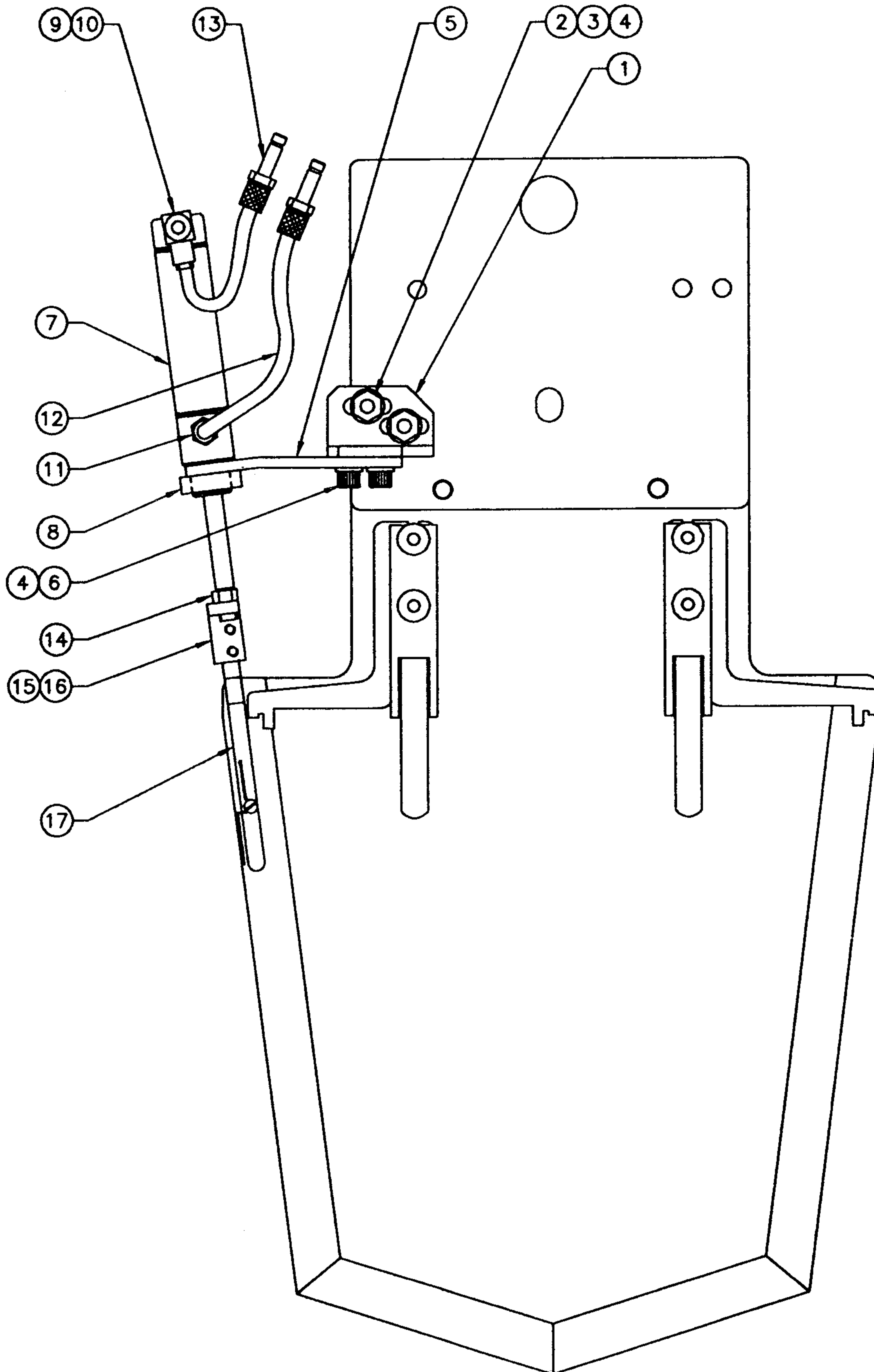
ITEM	PART NUMBER	DESCRIPTION	QTY.	ITEM	PART NUMBER	DESCRIPTION	QTY.
1	8010040295	Bushing, Linear Ball 8mm Lg.	4	22	8050170004	Hose Nipple, M5 x 0.8 Thd.	11
2	9-2000---	Valve Support	1	23	8060090005	Trip	2
3	9-2000---	Valve Support	1	24	8060090008	Knurled Nut	2
4	8030010310	Cyl, Air 10mm Bore x 20mm Stroke	4	25	8030110028	Tubing, Black 3mm I.D.	21 ft
5	8030020132	Valve, Roller Lever 2 Position	2	26	9-2000---	Bearing Plate	1
6	8030020066	Valve, Flow Control	2	27	9-2000---	Bearing Plate	1
7	8050140052	Barbed Fitting	2	28	9-2000---	Bearing Plate	1
8	8040020636	Scr, Hx-Soc. Set, Fl.Pt M5 x 6mm Lg.	4	29	9-2000---	Bearing Plate	1
9	8040020637	Scr, Hx-Soc. Set, Fl.Pt M4 x 5mm Lg.	2	30	9-2000---	Guide Plate	2
10	8040020640	Scr, Hx-Soc. Cap, M5 x 40mm Lg.	8	31	9-2000---	Guide Plate	2
11	8040020641	Scr, Hx-Soc, Cap, M4 x 10 mm Lg.	8	32	9-2000056	Pin, 60mm Lg.	2
12	8040020642	Scr, Hx-Soc. Cap, M5 x 20 mm Lg.	2	33	9-2000057	Pin, 90mm Lg.	1
13	8040020643	Scr, Hx-Soc. Cap, M4 x 20mm Lg.	2	34	9-200----	U-Plate	1
14	8040040088	Washer, Flat M4	8	35	9-200----	Edge Folder, Right Corner	1
15	8040010119	Nut, Hex M6 x 1.0	4	36	9-200----	Edge Folder, Left Corner	1
16	8040040092	Washer, Split Lock M5	8	37	9-200----	Edge Folder, Sides	2
17	8040060014	Ret. Ring, External .625 Dia Shaft	8	38	8050220072	Universal Elbow, M5 x 0.8 Thd.	2
18	8050140046	Barbed Ftg. "L" 3mm I.D. Hose	3	39	7903360425	Scr, Hx-Soc. Cap, M4 x 25mm Lg.	2
19	8050140047	Barbed Ftg. "T" 3mm I.D. Hose	2	40	8040010115	Nut, Hex M4 x 0.7 Thd.	2
20	8050140048	Barbed Ftg. "Y" 3mm I.D. Hose	2	41	9-2001471	Pin, 110mm Lg.	1
21	8050220071	Universal Tee, M5 x 0.8 Thd.	5				







# ASS'Y, LABEL INSERTER



LABEL INSERTER ASSEMBLY

ITEM	PART NUMBER	DESCRIPTION	QTY.	ITEM	PART NUMBER	DESCRIPTION	QTY.
1	9-2006796	Mounting Angle	1				
2	8040020774	Scr, Hx-Soc. Fl. Hd., M4 x 12mm Lg.	2				
3	8040010115	Nut, Hex, M4 x 0.7	2				
4	8040040088	Flat Washer, M4	4				
5	9-200----	Cylinder Mounting Plate	1				
6	8040020531	Scr, Hx-Soc. Cap, M4 x 8mm Lg.	2				
7	8030010561	Cylinder, Square Piston Rod	1				
8	9-2006825	Nut, Cylinder Mounting	1				
9	8030020066	Valve, Flow Control	1				
10	8050140052	Barbed Fitting	1				
11	8050170004	Nipple, Hose, M5 x 0.8 Thd.	1				
12	8030110028	Tubing, 3mm I.D.	1				
13	8050220124	Quick Connect, Male End	2				
14	8040010116	Nut, Hex, M5 x 0.8	1				
15	9-2006797	Mounting Block, Label Holder	1				
16	8040020912	Scr, Set, Flat Point, M3 x 0.5mmLg.	2				
17	8010480003	Label Holder	1				

