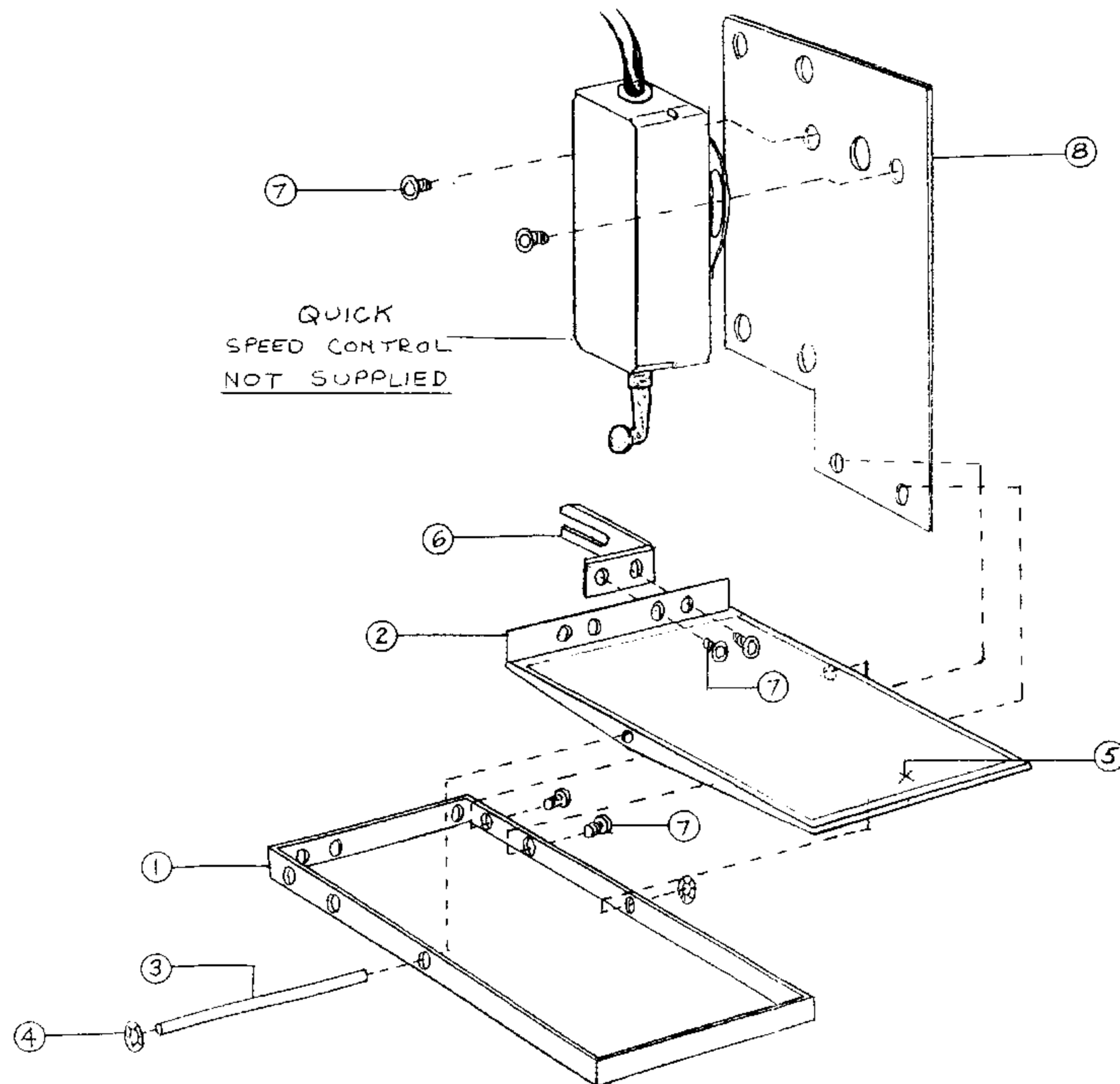


PART NO. 1054 D3600



8	1	AR0230032	MTG BRKT
7	6	AR0200015	10-32x3/8 SCR
6	1	AR0230036	"L" BRKT
5	1	AR0230033	A/S MAT
4	2	AR0200109	PUSH NUT
3	1	AR0230028	ROD
2	1	AR0230027	TREADLE
1	1	AR0230026	CHASSIS
ITEM	QTY	P/N	DISC

AP'D	DATE	REVISION
PART NAME STAND UP FOOT PEDAL QUICK		
DRAWN BY GK	DATE 5-21-91	
APP'D	DWG. NO.	

ABA ELECTRONICS CORPORATION
748 Industrial Drive Elmhurst, IL 60126 (312) 941-7000