

PFAFF

1183-712/02

Instruction Manual

This instruction manual applies to machines from the following serial numbers onwards:

6 001 000 →



This Instruction Manual is valid for all models and subclasses listed in the chapter " **Specifications** ".



The adjustment manual for the machines can be downloaded free of charge from the internet address

www.pfaff-industrial.com/de/service/download/index.php3.

As an alternative to the internet download the adjustment manual can also be ordered in book form under part no. 296-12-18 611/002.

The reprinting, copying or translation of PFAFF Instruction Manuals, whether in whole or in part, is only permitted with our previous authorization and with written reference to the source.

PFAFF Industrie Maschinen AG

Postfach 3020

D-67653 Kaiserslautern

Königstr. 154

D-67655 Kaiserslautern

		Chapter - Page
	Contents	
1	Safety	1 - 1
1.01	Directives	1 - 1
1.02	General notes on safety	1 - 1
1.03	Safety symbols	1 - 2
1.04	Important points for the user	1 - 2
1.05	Operating and specialist personnel	1 - 3
1.05.01	Operating personnel	1 - 3
1.05.02	Specialist personnel	1 - 3
1.06	Danger	1 - 4
2	Proper use	2 - 1
3	Specifications	3 - 1
3.01	PFAFF 1183-712/02	3 - 1
3.02	Models and subclasses	3 - 1
4	Disposal of machine	4 - 1
5	Transport, packaging and storage	5 - 1
5.01	Transportation to customer's premises	5 - 1
5.02	Transport within the customer's premises	5 - 1
5.03	Disposal of the packaging	5 - 1
5.04	Storage	5 - 1
6	Explanation of the symbols	6 - 1
7	Controls	7 - 1
7.01	On/off switch	7 - 1
7.02	Pedal	7 - 1
7.03	Control panel	7 - 2
7.03.01	Screen displays	7 - 2
7.03.02	Function keys	7 - 2
8	Mounting and commissioning the machine	8 - 1
8.01	Mounting	8 - 1
8.01.01	Adjusting the table-top height	8 - 1
8.01.02	Garnrollenständer montieren	8 - 2
8.02	Connecting the plug-in connections and earth cables	8 - 3
8.03	Start inhibitor	8 - 4
8.03.01	Mounting the start inhibitor	8 - 4
8.03.02	Checking the start inhibitor function	8 - 4
8.04	Basic setting of the machine drive unit	8 - 5
8.05	Commissioning	8 - 7
8.06	Switching the machine on/off	8 - 7
8.07	Table top cutout	8 - 8
8.08	Mounting the table top	8 - 9

	Contents	Chapter - Page
9	Preparation	9 - 1
9.01	Inserting the needle	9 - 1
9.02	Winding the bobbin thread, adjusting the thread tension	9 - 2
9.03	Removing/Inserting the bobbin case	9 - 3
9.04	Inserting the bobbin case / Adjusting the bobbin thread tension	9 - 3
9.05	Threading the needle thread / Adjusting the needle thread tension	9 - 4
10	Care and maintenance	10 - 1
10.01	Cleaning the machine	10 - 1
10.02	Topping up the oil tank	10 - 2
11	Wearing parts	11 - 1

1 Safety

1.01 Directives

This machine is constructed in accordance with the European regulations contained in the conformity and manufacturer's declarations.

In addition to this Instruction Manual, also observe all generally accepted, statutory and other regulations and legal requirements and all valid environmental protection regulations!

The regionally valid regulations of the social insurance society for occupational accidents or other supervisory organizations are to be strictly adhered to!

1.02 General notes on safety

- This machine may only be operated by adequately trained operators and only after having completely read and understood the Instruction Manual!
- All Notes on Safety and Instruction Manuals of the motor manufacturer are to be read before operating the machine!
- The danger and safety instructions on the machine itself are to be followed!
- This machine may only be used for the purpose for which it is intended and may not be operated without its safety devices. All safety regulations relevant to its operation are to be adhered to.
- When exchanging sewing tools (e.g. needle, roller presser, needle plate and bobbin), when threading the machine, when leaving the machine unattended and during maintenance work, the machine is to be separated from the power supply by switching off the On/Off switch or by removing the plug from the mains!
- Everyday maintenance work is only to be carried out by appropriately trained personnel!
- Repairs and special maintenance work may only be carried out by qualified service staff or appropriately trained personnel!
- Work on electrical equipment may only be carried out by appropriately trained personnel!
- Work is not permitted on parts and equipment which are connected to the power supply! The only exceptions to this rule are found in the regulations EN 50110.
- Modifications and alterations to the machine may only be carried out under observance of all the relevant safety regulations!
- Only spare parts which have been approved by us are to be used for repairs! We expressly point out that any replacement parts or accessories which are not supplied by us have not been tested and approved by us. The installation and/or use of any such products can lead to negative changes in the structural characteristics of the machine. We are not liable for any damage which may be caused by non-original parts.

1.03 Safety symbols



Danger!
Points to be observed.



Danger of injury for operating and specialist personnel!



Caution

Do not operate without finger guard and safety devices.
Before threading, changing bobbin and needle, cleaning
etc. **switch off main switch.**

1.04 Important points for the user

- This Instruction Manual is an integral part of the machine and must be available to the operating personnel at all times.
- The Instruction Manual must be read before operating the machine for the first time.
- The operating and specialist personnel is to be instructed as to the safety equipment of the machine and regarding safe work methods.
- It is the duty of the user to only operate the machine in perfect running order.
- It is the obligation of the user to ensure that none of the safety mechanisms are removed or deactivated.
- It is the obligation of the user to ensure that only authorized persons operate and work on the machine.

Further information can be obtained from your PFAFF agent.

1.05 Operating and specialist personnel

1.05.01 Operating personnel

Operating personnel are persons responsible for the equipping, operating and cleaning of the machine as well as for taking care of problems arising in the sewing area.

The operating personnel is required to observe the following points and must:

- always observe the Notes on Safety in the Instruction Manual!
- never use any working methods which could adversely affect the safety of the machine!
- not wear loose-fitting clothing or jewelery such as chains or rings!
- also ensure that only authorized persons have access to the potentially dangerous area around the machine!
- always immediately report to the person responsible any changes in the machine which may limit its safety!

1.05.02 Specialist personnel

Specialist personnel are persons with a specialist education in the fields of electrics, electronics and mechanics. They are responsible for the lubrication, maintenance, repair and adjustment of the machine.

The specialist personnel is obliged to observe the following points and must:

- always observe the Notes on Safety in the Instruction Manual!
- switch off the On/Off switch before carrying out adjustments or repairs, and ensure that it cannot be switched on again unintentionally!
- wait until the luminous diode on the control box is no longer blinking or on before beginning adjustment or repair work.
- never work on parts which are still connected to the power supply! Exceptions are explained in the regulations EN 50110.
- replace the protective coverings and close the electrical control box after all repairs or maintenance work!

1.06

Danger



A working area of 1 meter is to be kept free both in front of and behind the machine while it is in operation so that it is always easily accessible.



Never reach into the sewing area while sewing! Danger of injury by the needle!



Never leave objects on the table while adjusting the machine settings! Objects can become trapped or be slung away! Danger of injury!

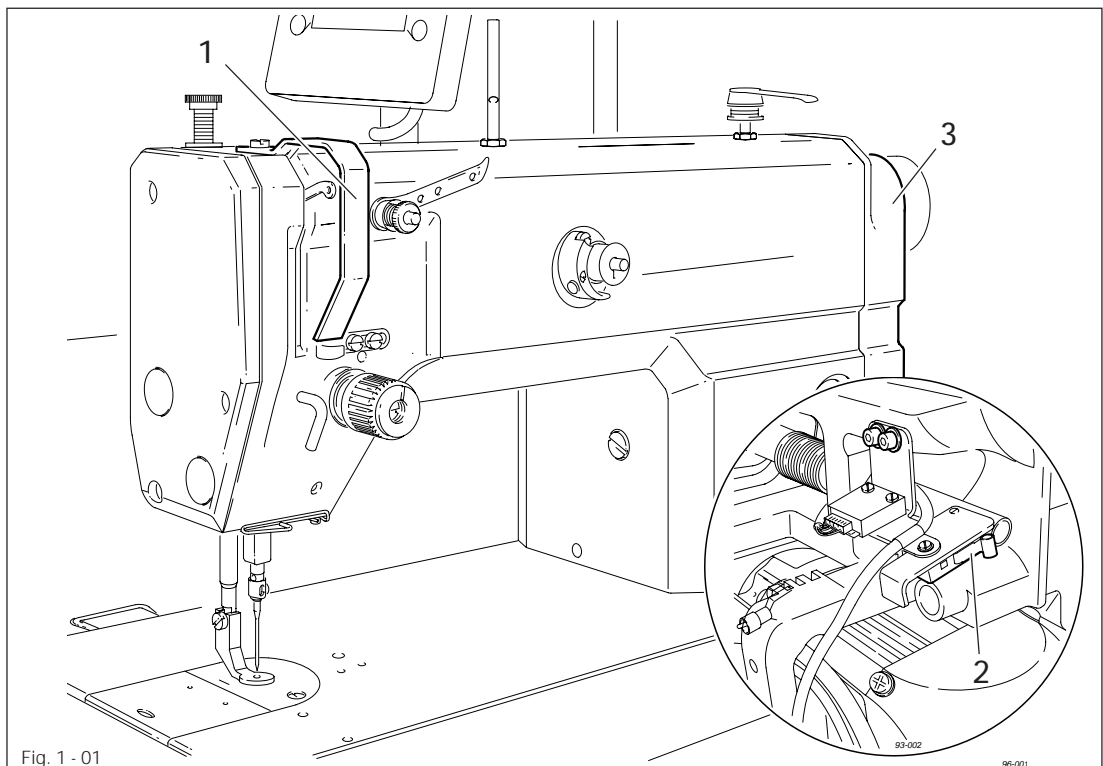


Fig. 1 - 01



Do not operate the machine without its take-up lever guard 1!
Danger of injury due to the motion of the take-up lever!



Do not operate the machine without the finger guard 2!
Danger of injury by the needle!



Do not operate the machine without machine cover 3!
Danger of injury from the drive belts!

2

Proper use

The PFAFF 1183-712/02 is a single-needle, lockstitch, flatbed sewing machine for industrial tacking and basting work.



Any and all uses of this machine which have not been approved of by the manufacturer are considered to be inappropriate! The manufacturer cannot be held liable for any damage caused by the inappropriate use of the machine! The appropriate use of the machine includes the observance of all operational, adjustment, maintenance and repair measures required by the manufacturer!

3 Specifications

3.01 PFAFF 1183-712/02[▲]

Stitch type:	301 (lockstitch)
Needle system:	134 - 35
Needle size in 1/100 mm:	80 - 100
Presser foot clearance:	16 mm
Clearance width:	260 mm
Clearance height:	125 mm
Bedplate dimensions:	476 x 177 mm
Sewing head dimensions:	
Length:	ca. 550 mm
Width:	ca. 180 mm
Height (above table):	ca. 300 mm
Max. speed:	1200 spm ♦
Needle bar stroke:	36 mm
Connection data:	
Operating voltage:	230 V ± 10 %, 50/60 Hz
Max. power consumption:	400 VA
Fuse protection:	1 x 16 A, inert
Noise data:	
Noise emission level at workplace with a sewing speed of 1000 spm: ... $L_{pA} \leq 68,5$ dB(A) ■	
(Noise measurement in accordance with DIN 45 635-48-A-1, ISO 11204, ISO 3744, ISO 4871)	
Net weight of sewing head:	ca. 30 kg
Gross weight of sewing head:	ca. 38 kg

■ $K_{pA} = 2,5$ dB

▲ Subject to alterations

♦ Depending on the material and sewing operation

3.02 Models and subclasses

Additional equipment:

Subclass -900/24 Thread trimming device

4 Disposal of machine

- The proper disposal of the machine is the responsibility of the customer.
- The materials used in the machines are steel, aluminium, brass and various plastics. The electrical equipment consists of plastics and copper.
- The machine is to be disposed of in accordance with the locally valid environmental protection regulations. If necessary, a specialist is to be commissioned.



Special care is to be taken that parts soiled with lubricants are separately disposed of in accordance with the locally valid pollution control regulations!

5 Transport, packaging and storage

5.01 Transportation to customer's premises

The machines are delivered completely packed.

5.02 Transport within the customer's premises

The manufacturer bears no liability for transport within the customer's premises or to the individual locations of use. Make sure that the machines are always transported upright.

5.03 Disposal of the packaging

The packaging of these machines consists of paper, cardboard and VCE fiber. The proper disposal of the packaging is the responsibility of the customer.

5.04 Storage

The machine can be stored for up to 6 months if not in use. During this time it should be protected from dust and moisture.

For longer storage the individual parts of the machine, especially the moving parts, must be protected from corrosion, e.g. by a film of oil.

6 Explanation of the symbols

In the following section of this Instruction Manual, certain tasks or important pieces of information are accentuated by symbols.

The symbols used have the following meanings:



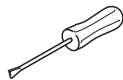
Note, information



Cleaning, care



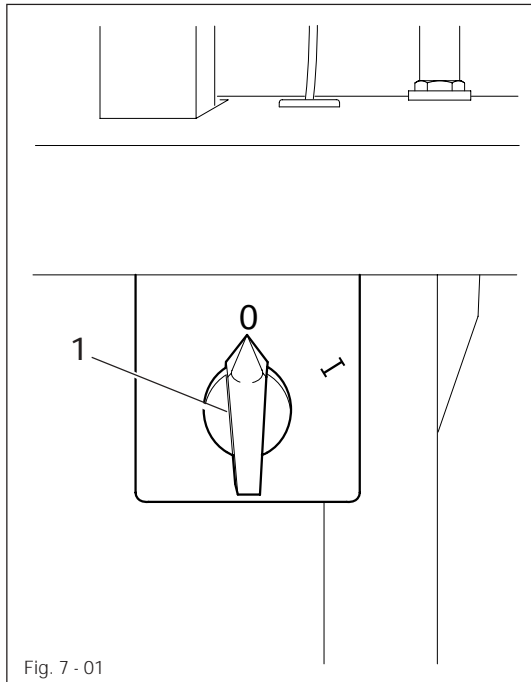
Lubrication, greasing



Servicing, repairing, adjustment, maintenance
(only to be carried out by specialist personnel)

7 Controls

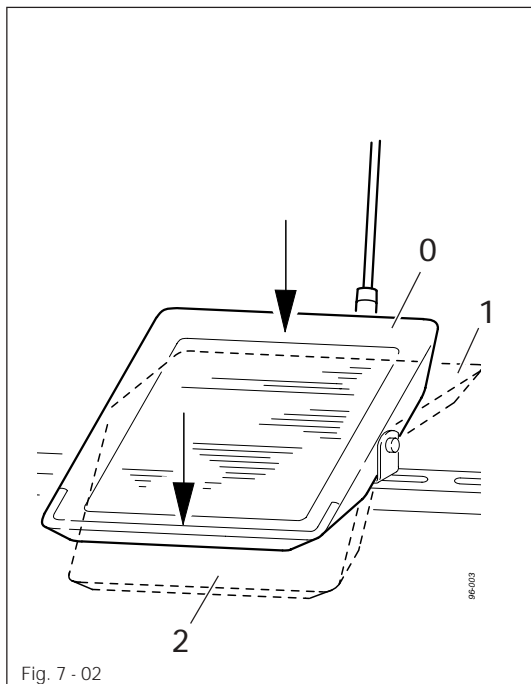
7.01 On/off switch



- Switch the machine on or off by turning on/off switch 1.

Fig. 7 - 01

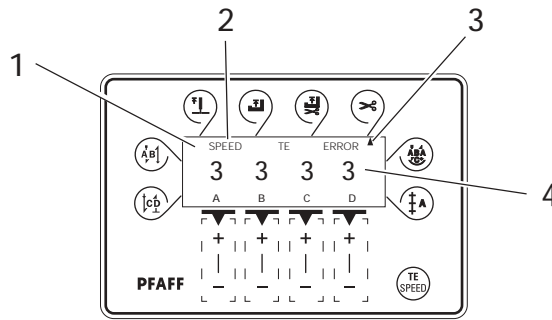
7.02 Pedal



- 0 = Neutral position
- 1 = Sewing
- 2 = Cut thread (on machines with -900/24)

Fig. 7 - 02

7.03 Control panel



The control panel consists of display 1 and the function keys described below. The display 1 consists of a single-line alpha-numerical, 7 segment LCD display with 8 symbols. The texts 2, located above and next to the LCD display, show the respective status of the function keys and the operating status of the machine. The control panels switches on all LCD-segments and the horn automatically for a short time during the power-on phase, after which the lettering PFAFF appears on the display, until the higher-ranking control unit sends commands to the control panel.

The function keys are located around the display 1. They are foil-packed without permanent marking and without contact signal. Fixed functions are allocated to the keys, see Chapter 7.03.02 Function keys.

7.03.01 Screen displays

- Activated functions are displayed with a triangular marking 3 below or next to the respective function key.
- During the parameter input the selected parameter number with the corresponding value is displayed, see Chapter 12.07.02 Example of a parameter input.

7.03.02 Function keys

The function keys described below are used basically to switch machine functions on and off.

Each time a key is pressed, this must be confirmed by at least one beep tone. Irrespective of the machine mode a double beep signal is given if invalid keys are pressed or maximum values reached.



If a corresponding value has to be set for the activated function, this is carried out with the corresponding +/- key. By pressing and holding the corresponding +/- key, the relevant numerical value 4 is changed slowly to begin with. If the corresponding +/- key is held down longer, the values change more quickly.



Start backtack

- This function key is not used on this machine.



End backtack

- This function key is not used on this machine.



Needle position

- If this key is pressed the "needle raised after sewing stop" function is switched on or off.
When the function is switched on, the needle positions at t.d.c. after sewing stops.



Foot position after stop

- This function key is not used on this machine.



Foot position after trimming

- This function key is not used on this machine.



Thread trimmer

- If this key is pressed the thread trimming function is switched on or off.



Darning program

- This function key is not used on this machine.



Counted seam

- This function key is not used on this machine.



TE/Speed

- If this key is pressed once the speed limit for the sewing mode is activated.
- If this key is pressed twice (within 5 seconds) the machine changes from sewing to input mode.

8 Mounting and commissioning the machine



The machine must only be mounted and commissioned by qualified personnel!
All relevant safety regulations are to be observed!



If the machine is delivered without a table, be sure that the frame and the table top which you intend to use can hold the weight of the machine and the motor. It must be ensured that the supporting structure is sufficiently sturdy, even during sewing operations.

8.01 Mounting

The necessary electricity supply must be available at the machine's location. Also, a stable and horizontal surface as well as adequate lighting are required at the location.



Depending on the type of table, the method of packaging used may require that the table top be lowered for transport. The following is a description of how to adjust the height of the table top.

8.01.01 Adjusting the table-top height

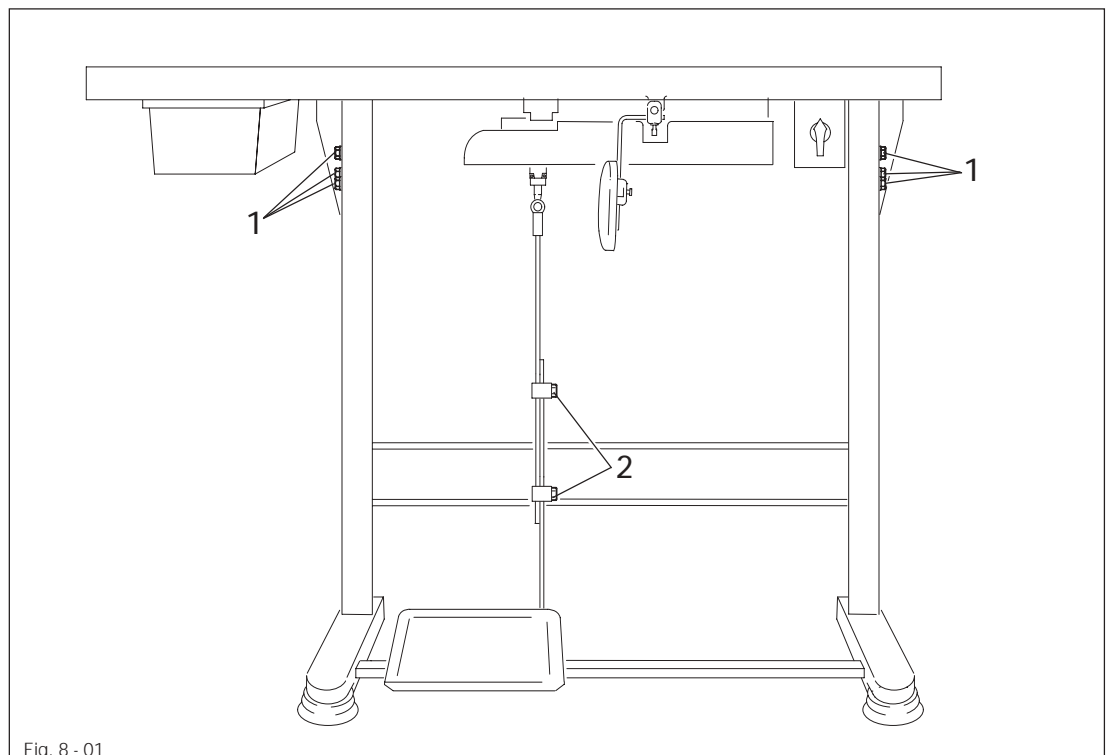
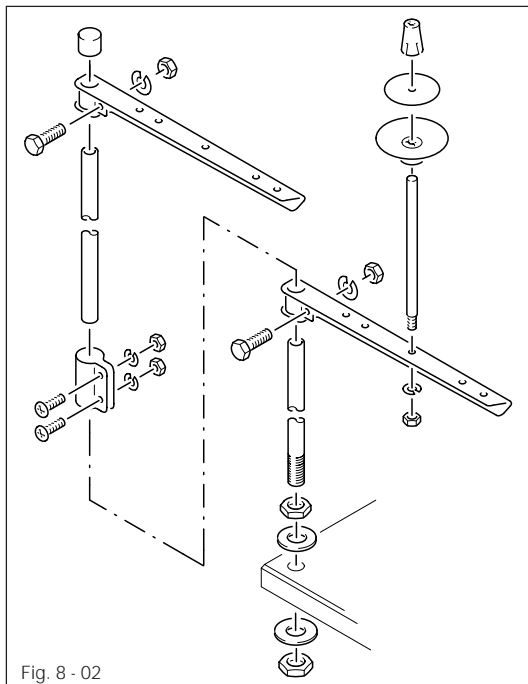


Fig. 8 - 01

- Loosen screws 1 and 2 and set the desired table-top height
- Tighten screws 1 well.
- Adjust the pedal to the desired position and tighten screw 2.

8.01.02 Garnrollenständer montieren



- Garnrollenständer gemäß Fig. 8-02 montieren.
- Anschließend den Ständer in die Bohrung der Tischplatte einsetzen und mit den beiliegenden Muttern befestigen.

8.02 Connecting the plug-in connections and earth cables

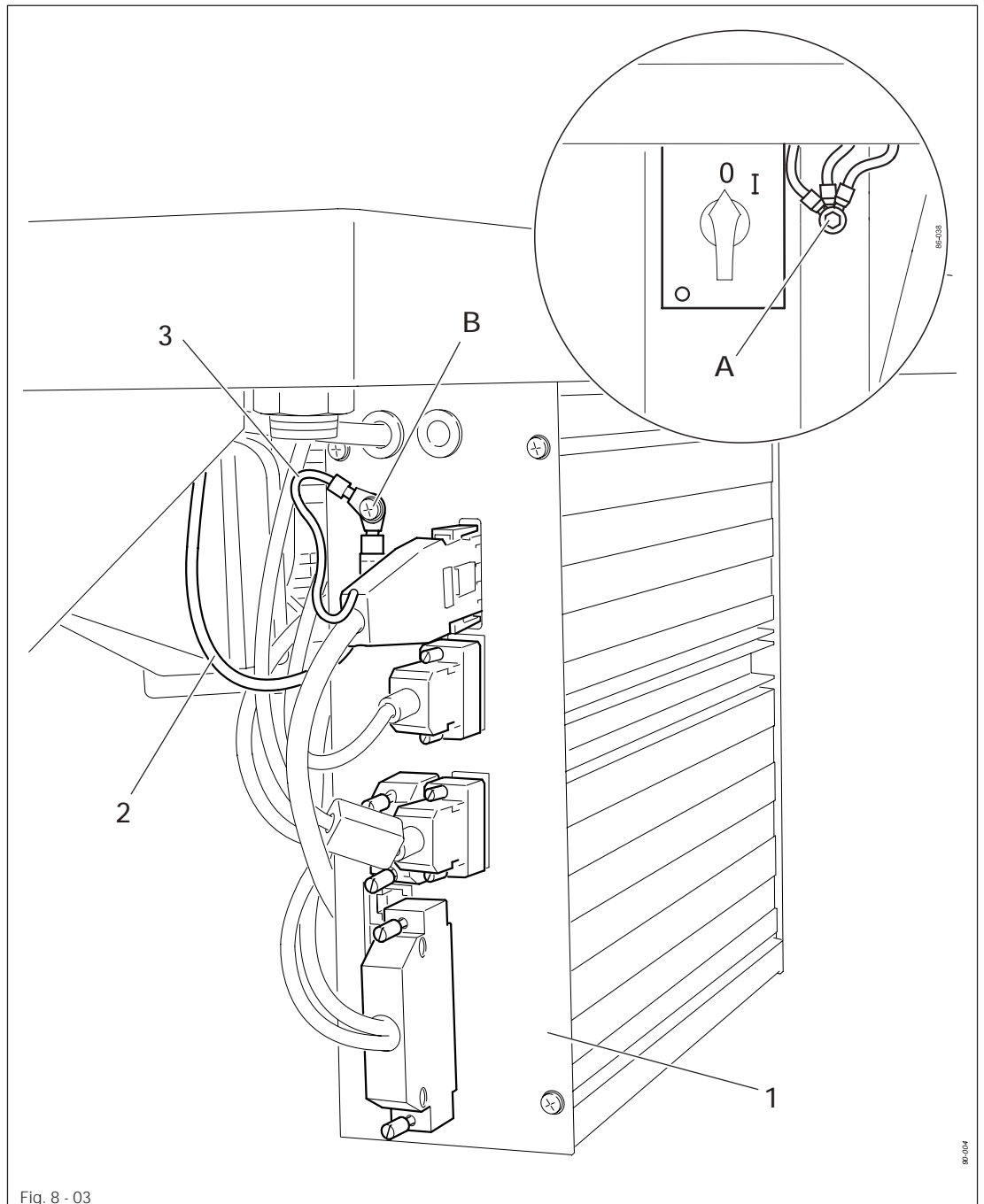


Fig. 8 - 03

- Connect all plugs as labelled to the control box 1.
- Screw the earth cable from the sewing head and the main switch to earth point A.
- Connect earth point A to earth point B with earth cable 2.
- Screw the earth cable 3 from the motor to earth point B.

Mounting and commissioning the machine

8.03 Start inhibitor

8.03.01 Mounting the start inhibitor

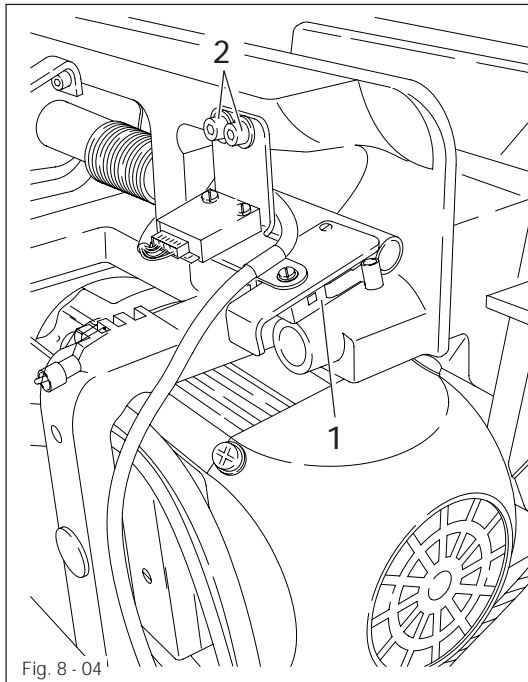
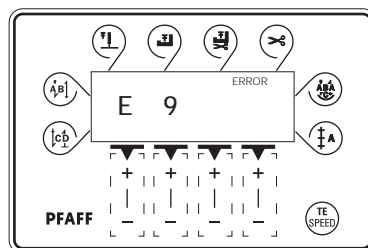


Fig. 8 - 04

- Set the machine into the table top.
- After loosening screws 2, set switch 1 so that it is activated when the sewing head is in an upright position.
- In this position tighten screws 2.

8.03.02 Checking the start inhibitor function

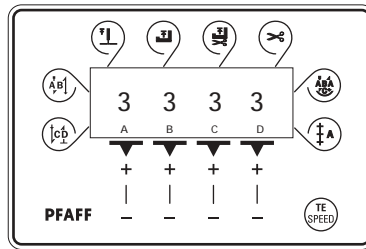



- Switch the machine on at the main switch and tilt back the sewing head. The error message "E9" must appear on the control panel.
- If the message does not appear, check the setting of safety switch 1.
- Set the sewing head upright and acknowledge the error message by pressing the TE/Speed key. The machine is ready for operation again.

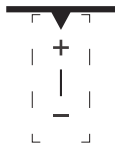
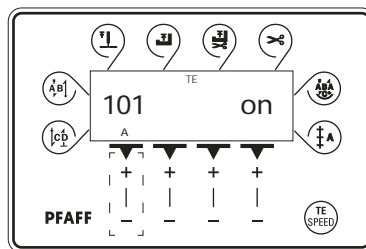


8.04 Basic setting of the machine drive unit

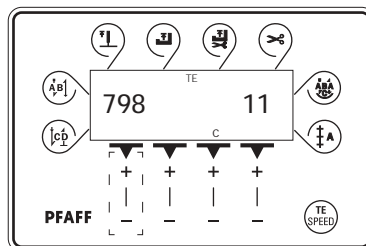
- Switch on the machine.



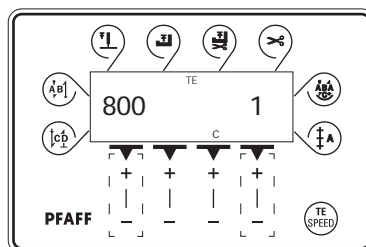
- 2 x  ● Press TE/Speed key twice to call up the input mode.



- By pressing the corresponding +/- key, call up parameter "798" and select service level "C", see Chapter 12.07.01 Selecting the user level.

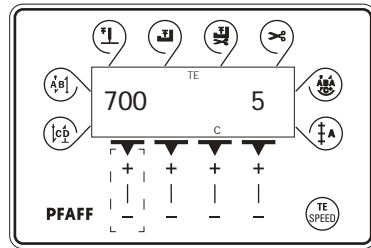


- By pressing the corresponding +/- key, call up parameter "800" (rotation direction of the motor).
- By pressing the corresponding +/- key, set the value at "1".



- By pressing the corresponding +/- key, call up parameter "700".

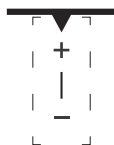
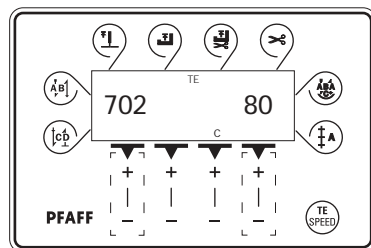
Mounting and commissioning the machine



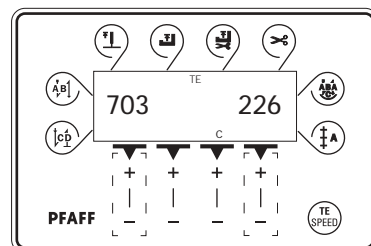
- By operating the pedal, sew one stitch.
- Turn the balance wheel in the direction of sewing until the tip of the needle is level with the top edge of the needle plate.



- By pressing the corresponding +/- key, call up parameter "702".
- By pressing the corresponding +/- key, enter the value "80".

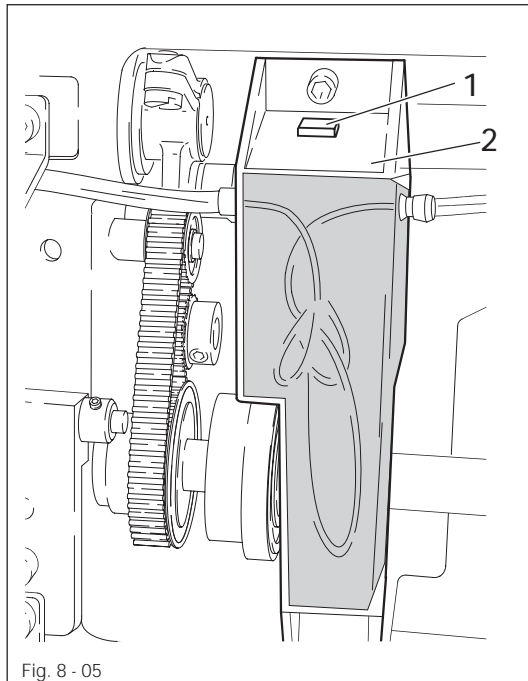


- By pressing the corresponding +/- key, call up parameter "703".
- By pressing the corresponding +/- key, enter the value "226".



- Conclude the adjustment of the sewing motor by pressing the TE/Speed key.

8.05 Commissioning



- Examine the machine, in particular the electric cables for any damage.
- Clean the machine thoroughly, see also **Chapter 10 Care and Maintenance**.
- Have qualified personnel check whether the machine can be operated with the available voltage and whether it is connected properly. If there are any irregularities do **not** operate the machine under any circumstances.
- Before commissioning the machine remove plug 1 from the oil tank 2.

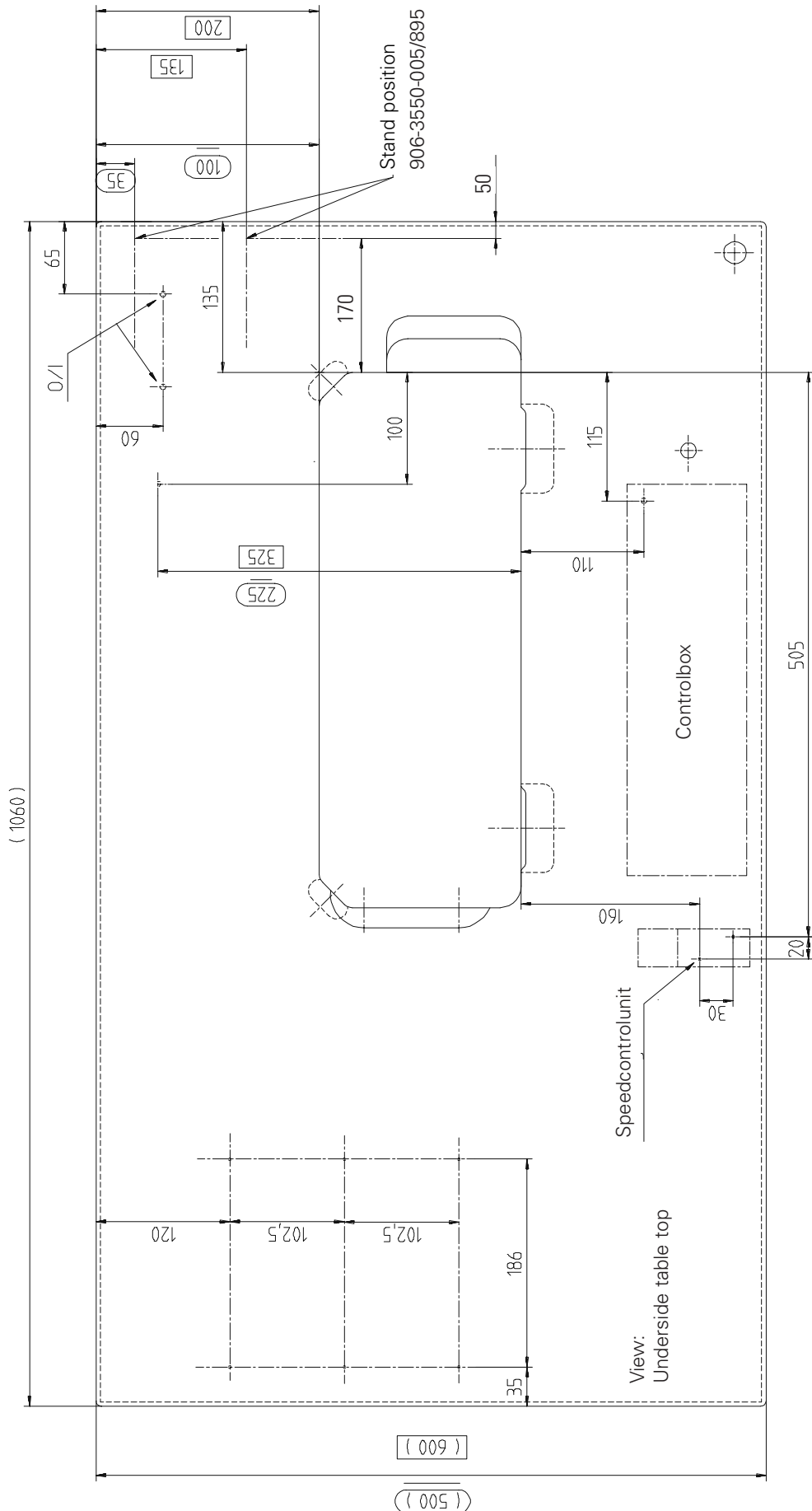


Plug 1 serves as a safety device for transportation and should not be used during sewing operations.

8.06 Switching the machine on/off

- Switch the machine on (see **Chapter 7.01 Main switch**).

8.08 Mounting the table top



9

Preparation



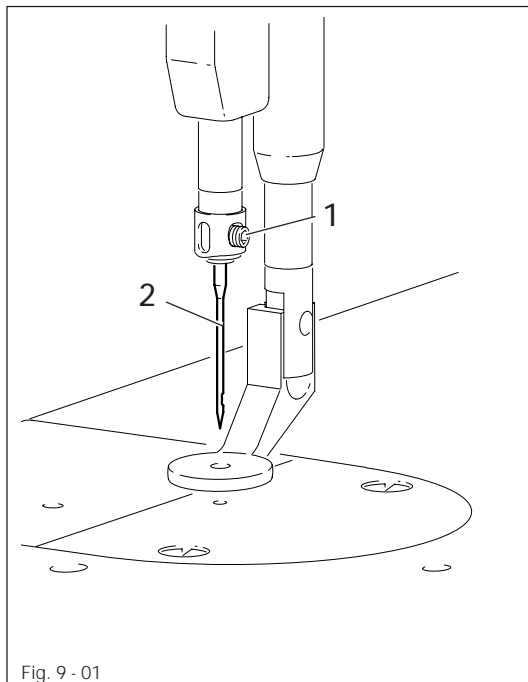
All regulations and instructions in this Instruction Manual are to be observed!
Special attention is to be paid to the safety regulations!



All preparation work is only to be carried out by appropriately trained personnel.
Before all preparation work, the machine is to be separated from the electricity supply by removing the plug from the mains or switching off the On/Off switch!

9.01

Inserting the needle



Switch off the machine!
Danger of injury due to
unintentional starting of the
machine!



Only use needles from the
system intended for the
machine, see **Chapter 3**
Specifications.

- Raise needle bar.
- Loosen screw 1 and insert needle 3 until you feel it stop.
- The long needle groove must be aligned in the direction of the machine head.
- Tighten screw 1.

9.02

Winding the bobbin thread, adjusting the thread tension

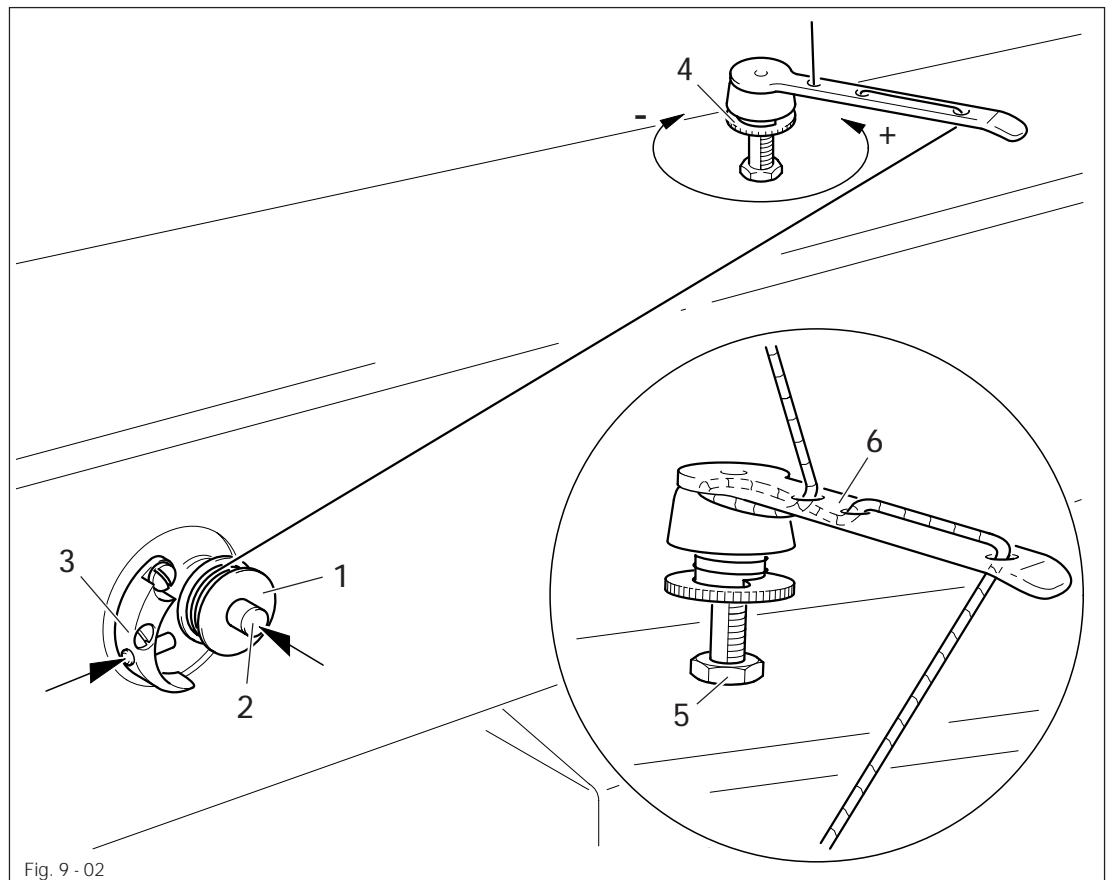


Fig. 9 - 02

- Place an empty bobbin 1 onto bobbin shaft 2.
- Thread the bobbin in accordance with Fig. 9-02 and wind it anti-clockwise around bobbin 1 a few times.
- Switch on the bobbin winder while at the same time pressing bobbin winder spindle 2 and lever 3.



The bobbin fills up during sewing.



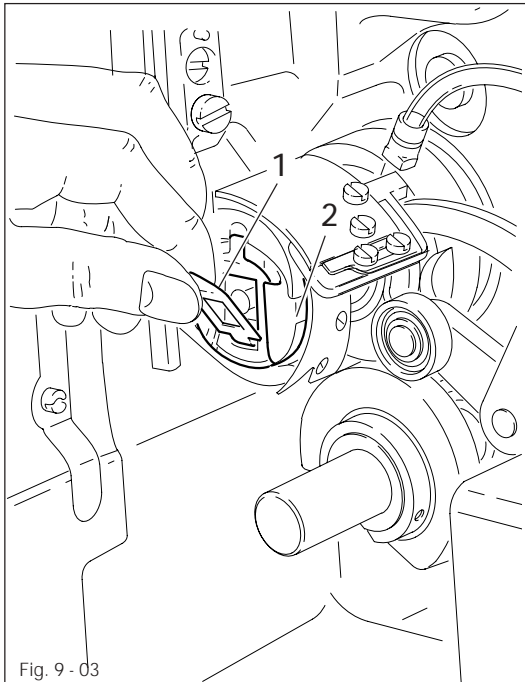
If the machine is only used for winding the bobbin (without sewing), a bobbin case must be set into the hook! Danger of damage to the hook!

- The tension of the thread on bobbin 1 can be adjusted with knurled screw 4.
- The bobbin winder stops automatically when bobbin 1 is full.

If the thread is wound unevenly:

- Loosen nut 5.
- Turn thread guide 6 accordingly.
- Tighten nut 5.

9.03 Removing/Inserting the bobbin case



Switch off the machine!
Danger of injury due to
unintentional starting of the
machine!

Removing the bobbin case:

- Tilt back the machine.
- Raise latch 1 and remove bobbin case 2.

Inserting the bobbin case:

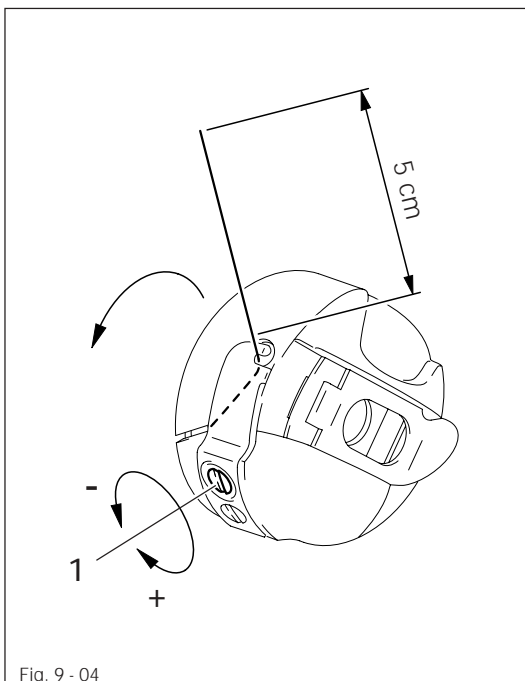
- Press bobbin case 2 until you feel it snap into the bobbin case base.



Return the machine to its
upright position using **both**
hands!

Danger of injury by crushing
between the machine and the
table top!

9.04 Inserting the bobbin case / Adjusting the bobbin thread tension

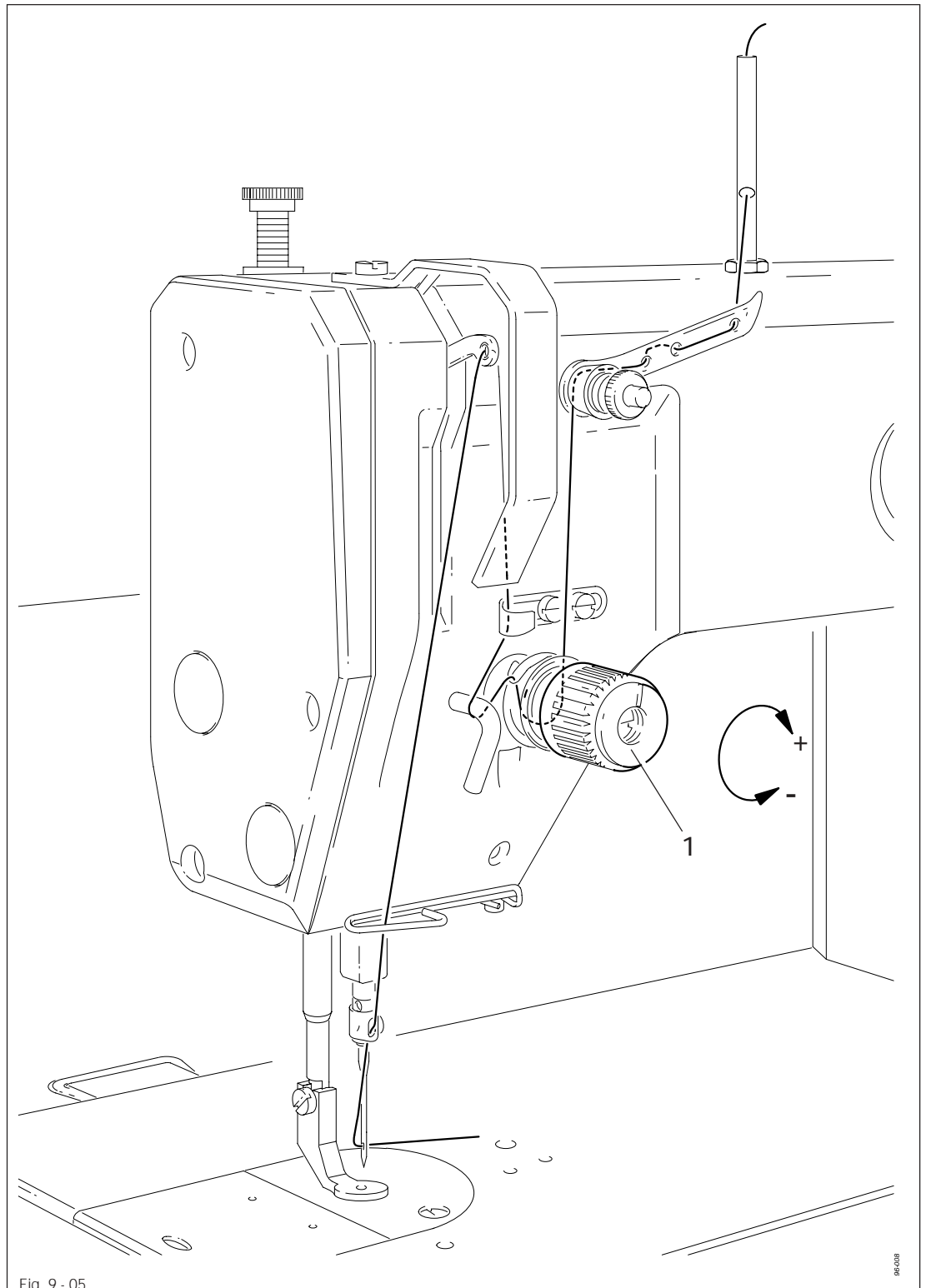


- Insert the bobbin into the bobbin case.
- Pass the thread through the slot under the spring according to Fig. 9-04.
- Pass the thread through the notch.
- Adjust the thread tension by turning screw 1.



When the thread is pulled, the
bobbin must rotate in the
direction of the arrow.

9.05 Threading the needle thread / Adjusting the needle thread tension



Switch off the machine!
Danger of injury due to unintentional starting of the machine!

- Thread the machine as shown in Fig. 9-05.
- Adjust the needle thread tension by turning disk 1.

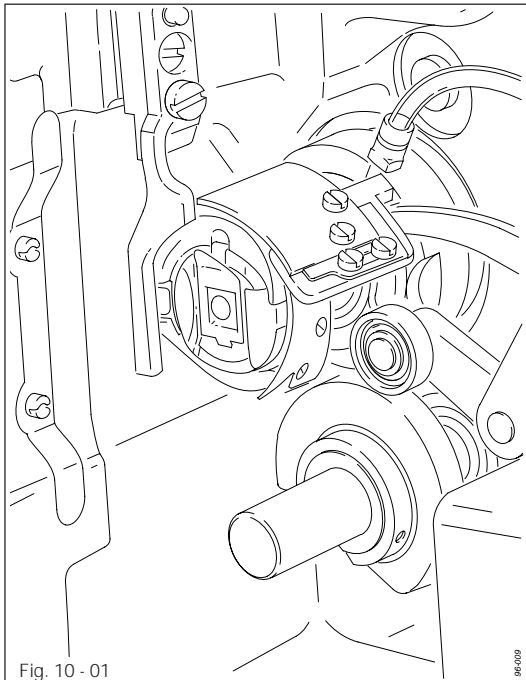
10 Care and maintenance

Cleaning	daily, several times if in continuous operation
Checking the oil level	monthly ▲



▲ These maintenance intervals are calculated for the average running time of a single shift operation. If the machine is operated more than this, shorter intervals are recommended.

10.01 Cleaning the machine



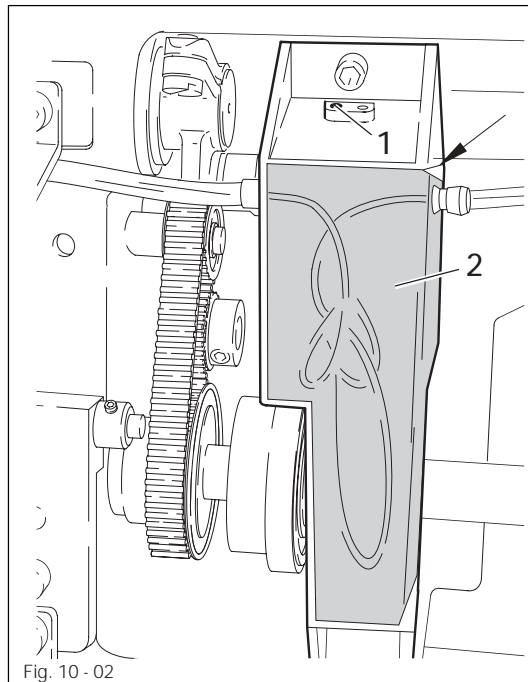
Switch off the machine!
Danger of injury due to unintentional starting of the machine!

- Tilt back the machine.
- Clean the hook and hook compartment daily, more often if in continuous operation.



Return the machine to its upright position using **both** hands!
Danger of injury by crushing between the edge of the machine and the table top!

10.02 Topping up the oil tank



The oil reservoir must always have oil in it.

- Whenever it is necessary to refill the reservoir, tilt back the machine and let it rest on the sewing head support.
- Fill oil through hole 1 into the reservoir 2 up to the level of the front edge (see arrow).

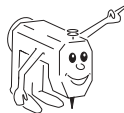
Return the machine to its upright position using **both** hands!



Danger of injury by crushing between the machine and the table top!



Only use oil with a mean viscosity of 10.0 mm²/s at 40°C and a density of 0.847 g/cm³ at 15°C.



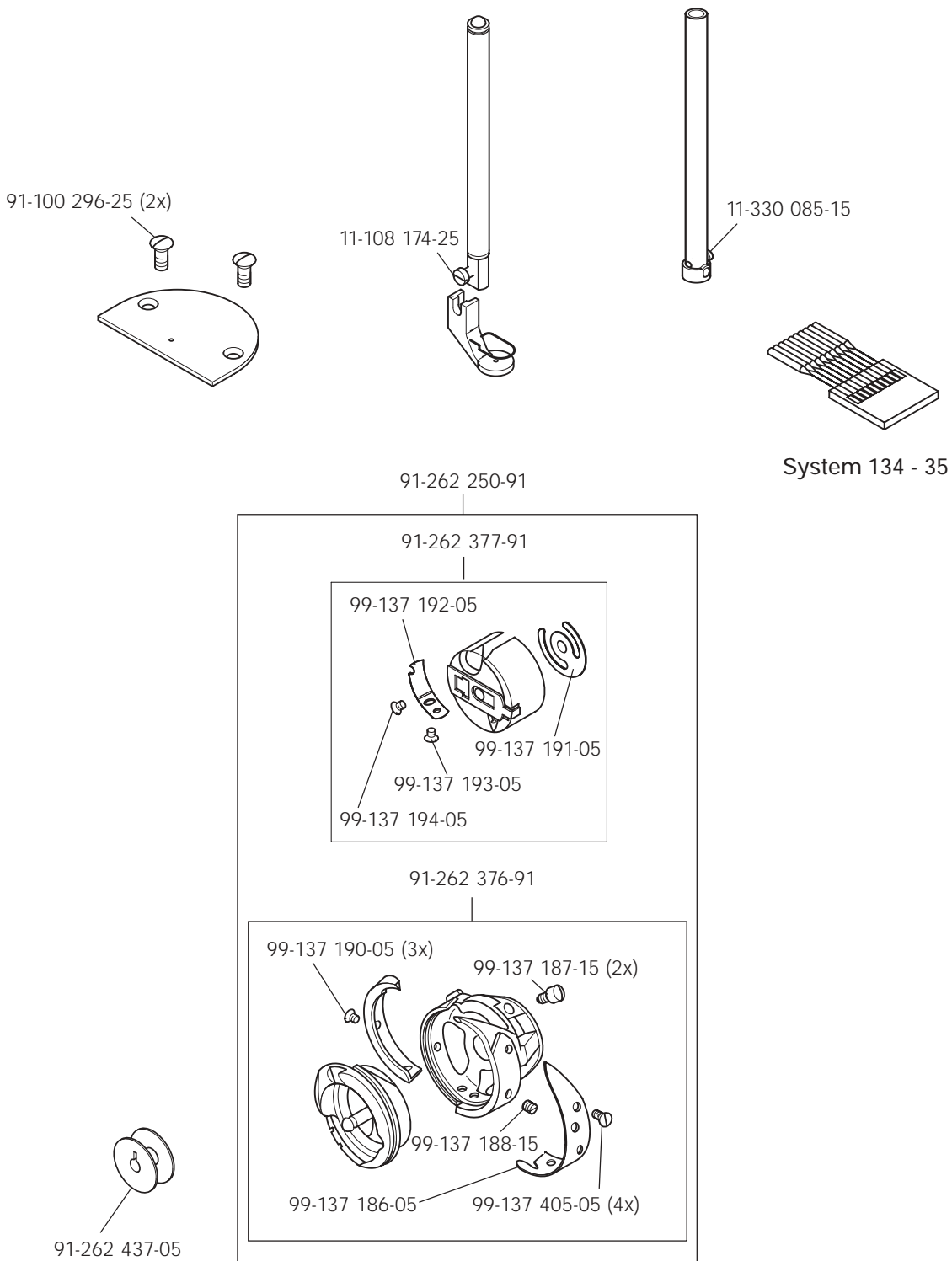
We recommend PFAFF sewing machine oil, part no. 280-1-120 105.

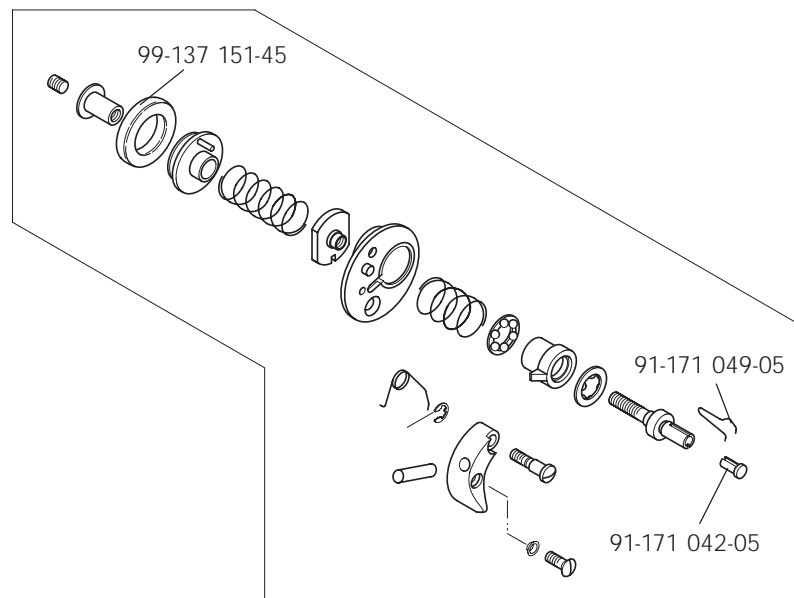
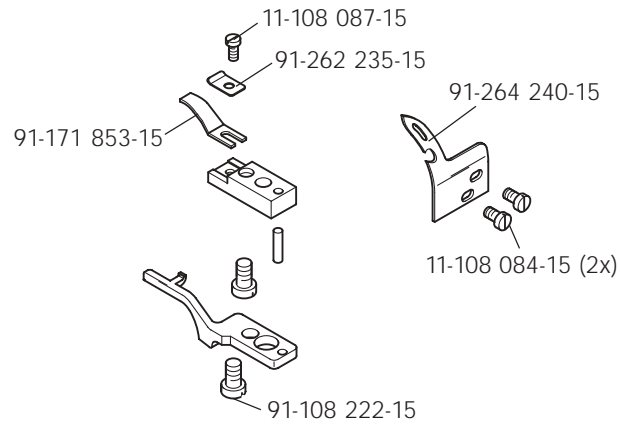


This is a list of the most important wearing parts.

A detailed parts list for the complete machine is included with the accessories.

In case of loss, the parts list can be downloaded from the internet address www.pfaff-industrial.com/de/service/download/index.php3. As an alternative to the internet download the parts lists can also be ordered in book form under part no. 296-12-18 610.





PFAFF

PFAFF Industrie Maschinen AG

Postfach 3020
D-67653 Kaiserslautern

Königstr. 154
D-67655 Kaiserslautern

Telefon: (0631) 200-0
Telefax: (0631) 17202
E-Mail: info@pfaff-industrial.com