

PFAFF

3119

Instruction manual

This instruction manual applies to machines from the following serial numbers onwards:

873444 →



This instruction manual applies to all versions and subclasses listed under "Specifications".

Reprinting, copying or translation of PFAFF instruction manuals, whether in whole or in part, is not permitted without our prior permission and not without written indication of the source.

**G.M. PFAFF KAISERSLAUTERN
INDUSTRIEMASCHINEN AG**

Postfach 3020
D-67653 Kaiserslautern
Königstr. 154
D-67655 Kaiserslautern

VTD Verlag
77901 Lahr

| | Chapter – Page |
|--|----------------|
| Contents | Chapter – Page |
| 1 Safety | 1 - 1 |
| 1.01 Regulations | 1 - 1 |
| 1.02 General notes on safety | 1 - 1 |
| 1.03 Safety symbols | 1 - 2 |
| 1.04 Important notes for the user | 1 - 2 |
| 1.05 Notes for operating and technical staff | 1 - 3 |
| 1.05.01 Operating staff | 1 - 3 |
| 1.05.02 Technical staff | 1 - 3 |
| 1.06 Danger warnings | 1 - 4 |
| 2 Proper Use | 2 - 1 |
| 3 Specifications | 3 - 1 |
| 3.01 General information | 3 - 1 |
| 3.02 Stitch formations of the various sub-classes | 3 - 2 |
| 4 Disposal of Machine | 4 - 1 |
| 5 Transportation, packing and storage | 5 - 1 |
| 5.01 Transportation to customer's premises | 5 - 1 |
| 5.02 Transportation inside customer's premises | 5 - 1 |
| 5.03 Disposal of packing materials | 5 - 1 |
| 5.04 Storage | 5 - 1 |
| 6 Explanation of symbols | 6 - 1 |
| 7 Controls | 7 - 1 |
| 7.01 On/off switch | 7 - 1 |
| 7.02 Pedal | 7 - 1 |
| 7.03 Preventing knife engagement | 7 - 2 |
| 7.04 Control panel | 7 - 3 |
| 8 Installation and commissioning | 8 - 1 |
| 8.01 Installation | 8 - 1 |
| 8.01.01 Adjusting the table height | 8 - 1 |
| 8.01.02 Installation variants | 8 - 2 |
| 8.01.03 Connecting the plug-type connections | 8 - 3 |
| 8.01.04 Fitting the reel stand | 8 - 4 |
| 8.02 Commissioning | 8 - 4 |
| 8.03 Switching the machine on / off | 8 - 4 |
| 8.04 Setting up the machine control unit | 8 - 5 |
| 8.04.01 Establishing the sub-class | 8 - 5 |
| 8.04.02 Setting parameter "202" | 8 - 6 |
| 9 Setting up | 9 - 1 |
| 9.01 Inserting the needle | 9 - 1 |
| 9.02 Winding the bobbin thread / adjusting the preliminary thread tension | 9 - 2 |
| 9.03 Threading the bobbin case / adjusting the thread tension | 9 - 3 |
| 9.04 Changing the bobbin | 9 - 4 |
| 9.05 Threading the needle thread | 9 - 5 |

Contents

| Contents | | Chapter – Page |
|----------------|--|----------------|
| 9.06 | Selecting the buttonhole type | 9 - 6 |
| 9.07 | Adjusting the needle thread tension | 9 - 7 |
| 9.08 | Adjusting the work clamp pressure | 9 - 8 |
| 10 | Sewing | 10 - 1 |
| 10.01 | Operating panel with speed display | 10 - 1 |
| 10.02 | Operating panel with display of the buttonhole model | 10 - 2 |
| 10.03 | Selecting a buttonhole | 10 - 3 |
| 10.04 | Selecting the cut length of the buttonhole | 10 - 4 |
| 11 | Input | 11 - 1 |
| 11.01 | Summary of the function groups and parameters | 11 - 1 |
| 11.02 | Selecting the function group and altering the parameters | 11 - 2 |
| 11.03 | Entering / altering the access code | 11 - 3 |
| 11.04 | Allocating access rights | 11 - 4 |
| 11.05 | Variable programs | 11 - 5 |
| 11.05.01 | Copying programs | 11 - 5 |
| 11.05.02 | Creating/modifying variable programs | 11 - 6 |
| 11.05.03 | Buttonhole models | 11 - 7 |
| 11.05.04 | Table for recording personal variable programs | 11 - 10 |
| 11.06 | Special programs | 11 - 12 |
| 11.07 | PC-programs (optional) | 11 - 12 |
| 11.07.01 | SAM (Sewing Application Manager) | 11 - 12 |
| 11.07.02 | OSCA (On-/Offline Sewing Creativity Arrangement) | 11 - 12 |
| 11.07.03 | Data transfer between PC (SAM) and PFAFF 3119 | 11 - 13 |
| 12 | Care and maintenance | 12 - 1 |
| 12.01 | Cleaning the machine | 12 - 1 |
| 12.02 | Cleaning the hook compartment | 12 - 2 |
| 12.03 | Cleaning the air filter of air filter / lubricator | 12 - 3 |
| 12.04 | Checking / adjusting the air pressure | 12 - 3 |
| 12.05 | Oil level for the needle drive unit | 12 - 4 |
| 12.06 | Oil level for the hook | 12 - 4 |
| 13 | Adjustment | 13 - 1 |
| 13.01 | Notes on adjusting | 13 - 1 |
| 13.02 | Tools, gauges and other accessories | 13 - 1 |
| 13.03 | Abbreviations | 13 - 1 |
| 13.04 | Toothed belts of hook drive unit | 13 - 2 |
| 13.05 | Drive rods of bobbin thread trimming device | 13 - 3 |
| 13.06 | Switch for sewing start | 13 - 4 |
| 13.07 | Basic position of feed drive unit | 13 - 5 |
| 13.08 | Preliminary adjustment of the work clamp | 13 - 6 |
| 13.09 | Toothed belts of the main drive unit | 13 - 7 |
| 13.10 | Preliminary adjustment of the needle height | 13 - 8 |
| 13.11 | Position of the needle plate in relation to the needle | 13 - 9 |

| Contents | | Chapter – Page |
|----------------|---|----------------|
| 13.12 | Sensor board of needle drive (in dismantled state) | 13 - 10 |
| 13.13 | Basic setting of the needle drive unit | 13 - 12 |
| 13.14 | Basic position of the work clamp (lengthwise to the arm) | 13 - 13 |
| 13.15 | Basic position of the work clamp (crosswise to the arm) | 13 - 14 |
| 13.16 | Upper take-up lever position (reference position) | 13 - 15 |
| 13.17 | Lifting elbow on work clamp | 13 - 16 |
| 13.18 | Work clamp stroke | 13 - 17 |
| 13.19 | Lifting cylinder of the work clamp | 13 - 18 |
| 13.20 | Cutting pressure of the knife unit (in dismantled state) | 13 - 19 |
| 13.21 | Position of the knife bracket and lower knife stop | 13 - 20 |
| 13.22 | Upper knife stop | 13 - 22 |
| 13.23 | Knife control switch | 13 - 23 |
| 13.24 | Knife motion | 13 - 24 |
| 13.25 | Distance of knife to the needle bar | 13 - 25 |
| 13.26 | Changing the knife / knife height | 13 - 26 |
| 13.27 | Functional test | 13 - 27 |
| 13.28 | Needle thread cutter (vertical and horizontal adjustment) | 13 - 28 |
| 13.29 | Cam guide unit | 13 - 29 |
| 13.30 | Needle thread cutter stroke | 13 - 30 |
| 13.31 | Needle thread cutter switch | 13 - 31 |
| 13.32 | Needle thread cutter release | 13 - 32 |
| 13.33 | Catch | 13 - 33 |
| 13.34 | Swing out motion of the needle thread cutter | 13 - 34 |
| 13.35 | Needle bar rise and hook-to-needle clearance | 13 - 35 |
| 13.36 | Needle bar height and needle guard | 13 - 37 |
| 13.37 | Bobbin case holder | 13 - 38 |
| 13.38 | Hook lubrication | 13 - 39 |
| 13.39 | Knife position | 13 - 40 |
| 13.40 | Knife guard | 13 - 41 |
| 13.41 | Needle thread tension release | 13 - 42 |
| 13.42 | Needle thread puller | 13 - 43 |
| 13.43 | Side thread tension and slack thread regulator | 13 - 44 |
| 13.44 | Bobbin winder | 13 - 45 |
| 13.45 | Retainer position (only for 3119-2/63) | 13 - 46 |
| 13.46 | Carrying out a cold start | 13 - 46 |
| 13.47 | Parameter settings | 13 - 47 |
| 13.47.01 | Selecting and altering parameters | 13 - 47 |
| 13.47.02 | List of parameters | 13 - 48 |
| 13.48 | Error messages | 13 - 53 |
| 14.01 | Wearing parts | 14 - 1 |
| 15.01 | Circuit diagrams | 15 - 1 |

1 Safety

1.01 Regulations

This machine is constructed in accordance with the European regulations indicated in the conformity and manufacturer's declarations.

In addition to this instruction manual, please also observe all generally accepted, statutory and other legal requirements, including those of the user's country, and the applicable pollution control regulations!

The valid regulations of the regional social insurance society for occupational accidents or other supervisory authorities are to be strictly adhered to!

1.02 General notes on safety

- The machine must only be operated by adequately trained operators and only when the instruction manual has been fully read and understood!
- All notices on safety and the instruction manual of the motor manufacturer are to be read before the machine is put into operation!
- All notes on the machine concerning danger and safety must be observed!
- The machine must be used for the purpose for which it is intended and must not be operated without its safety devices; all regulations relevant to safety must be adhered to.
- When part sets are changed (e.g. needle, presser foot, needle plate, feed dog or bob-bin), during threading, when the workplace is left unattended and during maintenance work, the machine must be isolated from the power supply by turning off the on/off switch or removing the plug from the mains!
- Daily maintenance work must only be carried out by appropriately trained persons!
- Repairs and special maintenance work must only be carried out by qualified technical staff or persons with appropriate training!
- During maintenance or repairs on the pneumatic system the machine must be isolated from the compressed air supply! The only exception to this is when adjustments or function checks are carried out by appropriately trained technical staff!
- Work on the electrical equipment must only be carried out by technical staff who are qualified to do so!
- Work on parts or equipment connected to the power supply is not permitted! The only exceptions to this are specified in regulations EN 50110.
- Conversion or modification of the machine must only be carried out under observation of all relevant safety regulations!
- Only spare parts which have been approved by us are to be used for repairs! We draw special attention to the fact that spare parts and accessories not supplied by us have not been subjected to testing nor approval by us. Fitting and/or use of any such parts may cause negative changes to the design characteristics of the machine. We shall not accept any liability for damage caused by the use of non-original parts.

1.03 Safety symbols



Danger!
Special points to observe.



Danger of injury to operating or technical staff!



Electric voltage!
Danger to operating or technical staff!



Caution

Do not operate without finger guard and safety devices. Before threading, changing bobbin and needle, cleaning etc. switch off main switch.

1.04 Important notes for the user

- This instruction manual belongs to the equipment of the machine and must be available to the operating staff at all times.
This instruction manual must be read before the machine is operated for the first time.
- Both operating and technical staff must be instructed on the safety devices of the machine and on safe working methods.
- It is the duty of the user to operate the machine in perfect running order only.
- The user must ensure that none of the safety devices are removed nor put out of working order.
- The user must ensure that only authorized persons operate and work on the machine.

For further information please refer to your PFAFF agency.

1.05 Notes for operating and technical staff

1.05.01 Operating staff

Operating staff are the persons responsible for setting up, operating and cleaning the machine and for removing any disturbances in the sewing area.

The operating staff are obliged to observe the following points, and must:

- always observe the notes on safety in this instruction manual!
- avoid using any working methods which adversely effect the safety of the machine!
- avoid wearing loose-fitting clothing or jewelry such as necklaces or rings!
- also ensure that only authorized persons are allowed near the danger area of the machine!
- immediately report to the user any changes to the machine that may affect its safety!

1.05.02 Technical staff

Technical staff are persons who have been trained in electrical engineering, electronics, pneumatics and mechanical engineering. They are responsible for lubricating, servicing, repairing and adjusting the machine.

The technical staff are obliged to observe the following points, and must:

- always observe the notes on safety in this instruction manual!
- switch off the on/off switch before carrying out adjustment and repair work and ensure it cannot be switched on again unintentionally!
- never work on parts or equipment still connected to the power supply! Exceptions to this are only permissible according to regulations EN 50110;
- isolate the machine from the compressed air supply when carrying out maintenance or repair work on pneumatic equipment!
Exceptions to this are only permissible for function checks;
- replace all safety covers after carrying out maintenance or repair work!

1.06

Danger warnings



A working area of 1 m must be kept free both in front of and behind the machine, so that easy access is possible at all times.



Never put your hands in the sewing area during sewing!
Danger of injury by the needle!



During maintenance and adjustment work the knife must be secured with locking device 1. Danger of injury from the knife!

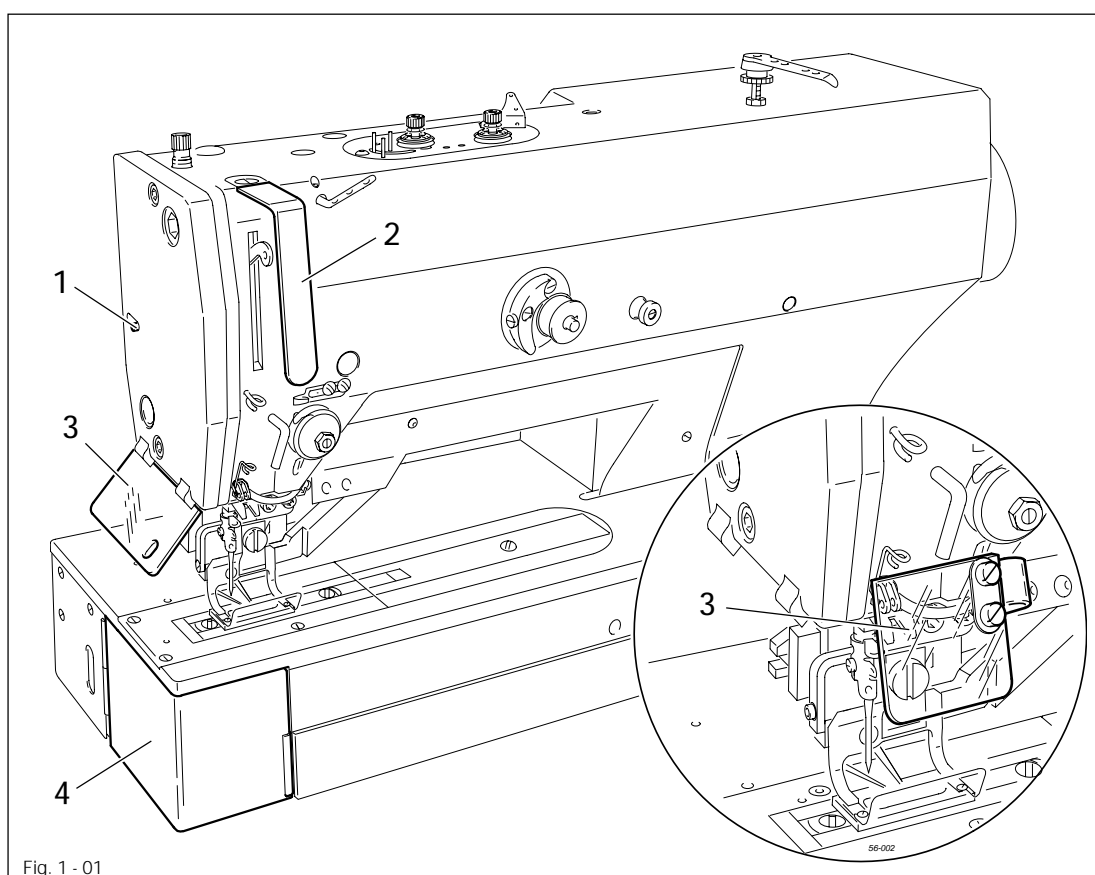


Fig. 1 - 01



Do not operate the machine without the take-up lever guard 2!
Danger of injury from the movement of the take-up lever.



Do not operate the machine without eye shield 3!
Danger of injury from needle splinters! The type of eye shield is dependent on the way the machine is installed.



Only operate the machine with cover 4 closed.
Danger of injury from the hook!

2 Proper use

The PFAFF 3119 is used for sewing purl or flat buttonholes with two flat or raised square bars on linen and clothing.



Any use of these machines which is not approved by the manufacturer shall be considered as improper use! The manufacturer shall not be liable for any damage arising out of improper use! Proper use shall also be considered to include compliance with the operation, adjustment, service and repair measures specified by the manufacturer!

3 Specifications ▲

3.01 General information

Subclasses:

-1/51, -1/52, -2/51: for sewing fine materials

-2/53, -3/51, -4/51: for sewing medium-heavy materials

-2/63: for sewing delicate knitted fabrics



Max. sewing speed: 4200 min⁻¹

Stitch type: 304

Needle bar stroke: 34.5 mm

Max. thickness of workpiece: max. 4 mm

Max. work clamp clearance: max. 12.5 mm

Fabric clearance (crosswise to sewing arm): 235 mm

Fabric clearance (lengthwise to sewing arm): 30 mm

Stitch formation: buttonhole, max. 48 mm x 5.5 mm

Length of buttonhole cut: 6.4 mm – 38.1 mm

Zig-zag stitch: max. 5.5 mm

Number of stitches: freely programmable

Feed type: intermittent

Power supply: 190 – 240 V –20%, +10%, 50/60 Hz, single phase

Power consumption: max. 0.6 KVA

Input power rating: 0.7 kVA

Fuse protection: 1 x 16A, inert

Software status: see parameter "104"

Working air pressure: 6 bar

Air consumption ~1.2 l / work cycle

Noise emission level at workplace with a sewing cycle of 4 sec.

On and 2 sec. Off: $L_{pA} \leq 81$ dB(A)

(Noise measurement in accordance with DIN 45 635-48-B-1)

Sewing head dimensions:

Length: approx. 514 mm

Width: approx. 200 mm

Height: approx. 450 mm

Weight of sewing head: approx. 65 kg

Dimensions of base:

Length: approx. 1060 mm

Width: approx. 600 mm

Height approx. 820 mm

Weight of base incl. control box: approx. 45 kg

Needle system: 438

Needle size for fine materials: 60 - 70

Needle size for medium-weight materials: 80 - 100

▲ Subject to alteration

| | | | | | |
|------------------------------------|--|--|--|--|--|
| Sub-class (Parameter 202) | Subclass for cutting thru 3119-1/51 3119-1/52 Subclass for block cutting | 3119-2/51 | 3119-2/53 3119-2/63 | 3119-3/51 | 3119-4/51 |
| Cut-out size in work clamp [mm] | <i>presser foot opening size</i> 30.0 x 5.6 | <i>presser foot opening size</i> 40.0 x 5.6 | <i>presser foot opening size</i> 40.0 x 6.7 | <i>presser foot opening size</i> 46.0 x 6.7 | <i>presser foot opening size</i> 55.0 x 7.0 |
| Buttonhole size [mm] | <i>length X width</i> 24.0 x 4.5 | <i>length X width</i> 34.0 x 4.5 | <i>length X width</i> 34.0 x 5.5 | <i>length X width</i> 40.0 x 5.5 | <i>length X width</i> 48.0 x 5.5 |
| Length of buttonhole cut [mm] | <i>Cut opening</i> 6.4 | <i>Cut opening</i> 6.4 | <i>Cut opening</i> 6.4 | <i>Cut opening</i> 6.4 | <i>Cut opening</i> 6.4 |
| | 9.5 | 9.5 | 9.5 | 9.5 | 9.5 |
| | 11.0 | 11.0 | 11.0 | 11.0 | 11.0 |
| | 12.7 | 12.7 | 12.7 | 12.7 | 12.7 |
| | 14.0 | 14.0 | 14.0 | 14.0 | 14.0 |
| | 16.0 | 16.0 | 16.0 | 16.0 | 16.0 |
| | 17.5 | 17.5 | 17.5 | 17.5 | 17.5 |
| | | 19.0 | 19.0 | 19.0 | 19.0 |
| | | 22.2 | 22.2 | 22.2 | 22.2 |
| | | 25.4 | 25.4 | 25.4 | 25.4 |
| | | <i>Cut opening</i> | <i>Cut opening</i> | 28.6 | 28.6 |
| | | | | 31.7* | 31.7* |
| | | | | | 33.7 |
| | | | | 35.0 | |
| | | | | 36.5 | |
| | | | | 38.1 | |

* When the multiple cutting operation is activated (parameter 207 on II), for a cutting length from 31.7 mm, the length of the knife must be at least 16.0 mm.



Each time parts are changed, the control unit must be adapted to the sub-class, see Chapter 8.02 Setting the control unit. An incorrect setting can cause the knife or needle to strike the work clamp.

4 Disposal of Machine

- Proper disposal of the machine is the responsibility of the customer.
- The materials used for the machine are steel, aluminium, brass and various plastic materials.
The electrical equipment comprises plastic materials and copper.
- The machine is to be disposed of according to the locally valid pollution control regulations; if necessary, a specialist is to be commissioned.



Care must be taken that parts soiled with lubricants are disposed of separately according to the locally valid pollution control regulations!

Transportation, packing and storage

5 Transportation, packing and storage

5.01 Transportation to customer's premises

All machines are delivered completely packed.

5.02 Transportation inside the customer's premises

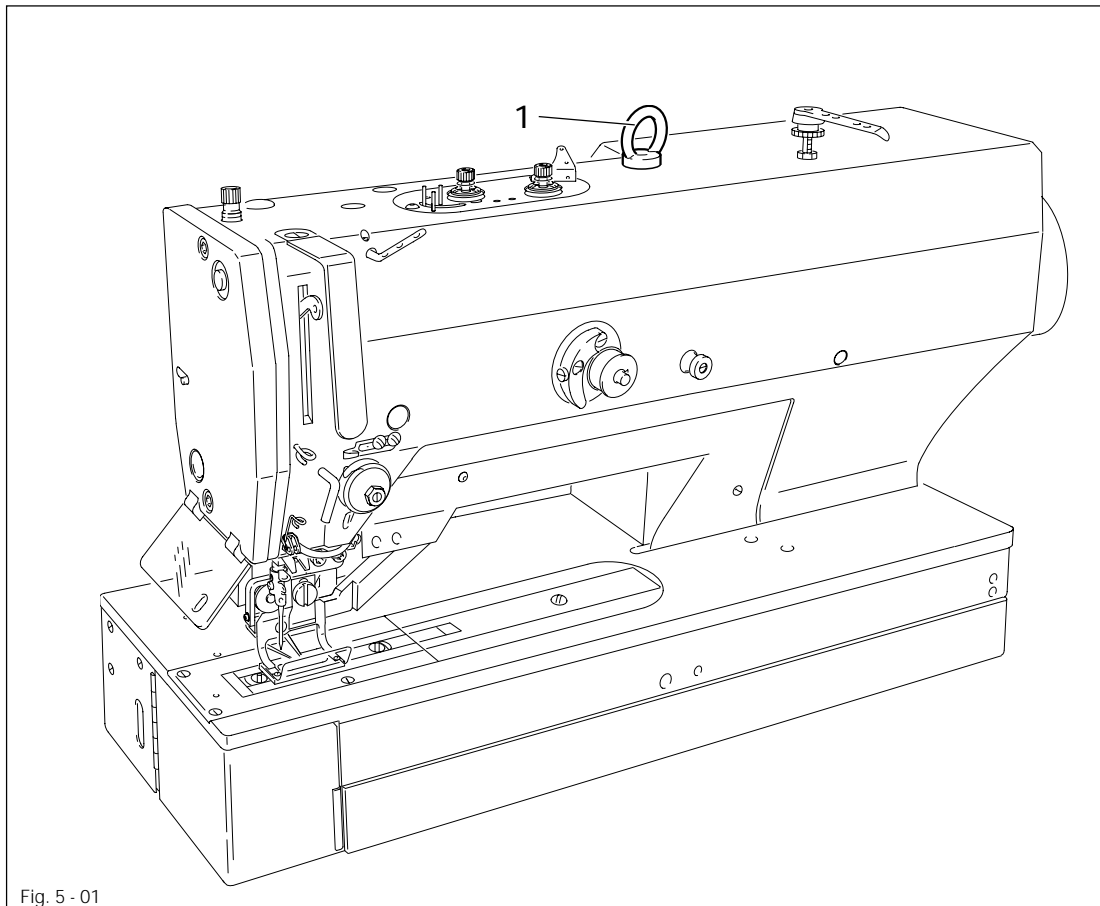


Fig. 5 - 01

The manufacturer cannot be made liable for transportation inside the customer's premises, nor to other operating locations. Care must be taken that the machine is transported in an upright position. To lift the machine with a suitable lifting appliance, lifting ring 1 delivered with the machine can be screwed into the threaded hole on the machine.

5.03 Disposal of packing materials

The packing materials of these machines consist of paper, cardboard and VCE-fibre. Proper disposal of the packing material is the responsibility of the customer.

5.04 Storage

If the machine is not in use, it can be stored as it is for a period of up to six months, but it should be protected against dust and moisture.

If the machine is stored for longer periods, the individual parts, especially the surfaces of moving parts, must be protected against corrosion, e.g. by a film of oil.

6 Explanation of symbols

In this instruction manual, work to be carried out or important information is accentuated by symbols. These symbols have the following meanings:



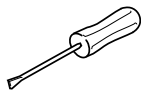
Note, information



Cleaning, care



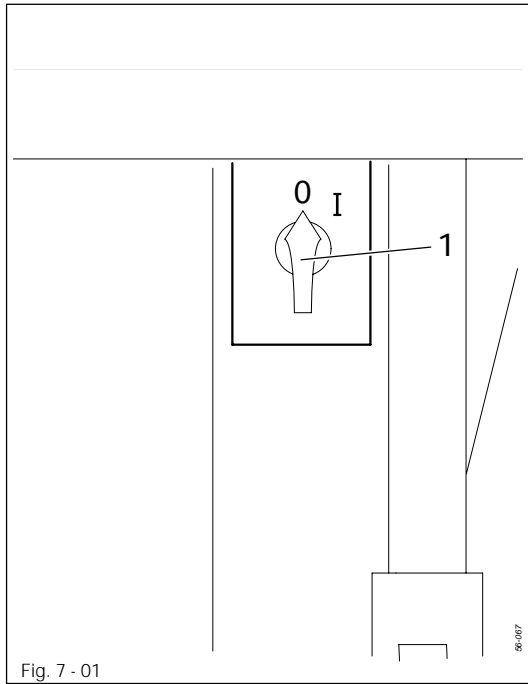
Lubrication



Maintenance, repairs, adjustment, service work
(only to be carried out by technical staff)

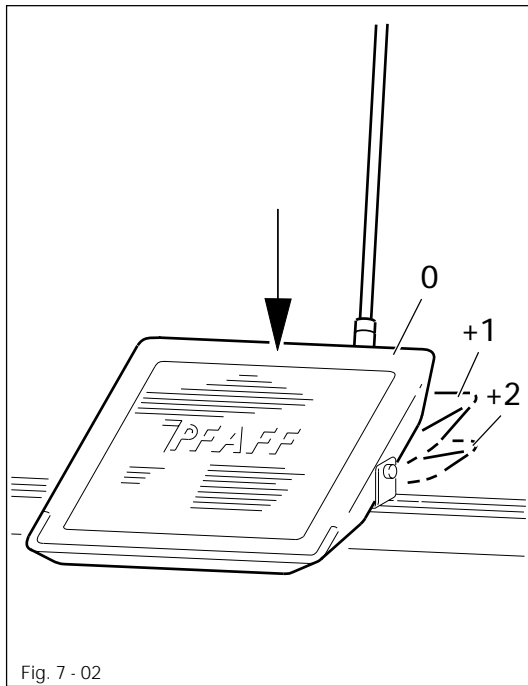
7 Controls

7.01 On / off switch



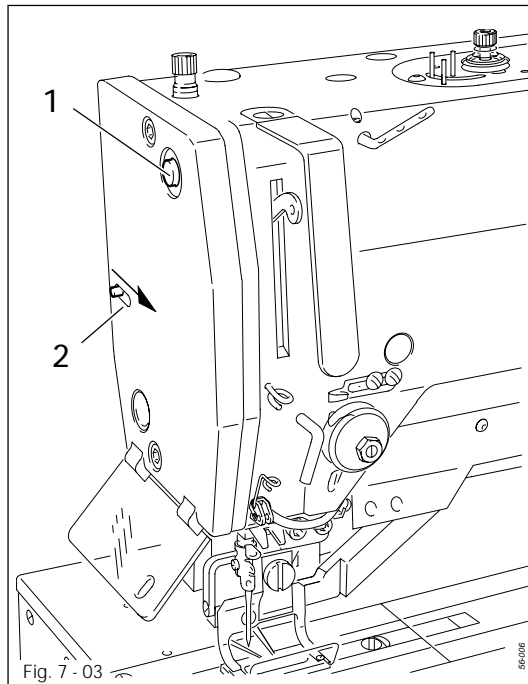
- The machine is switched on or off by turning the on / off switch 1.

7.02 Pedal



- 0 = Neutral position
- +1 = Work clamp lowered
- +2 = Sewing

7.03 Preventing knife engagement



- By operating push button 1, knife engagement at the end of the current sewing cycle is prevented.
- By moving lever 2 in the direction of the arrow, the knife is mechanically locked. This prevents knife engagement during setting-up, maintenance and adjustment work.

7.04 Control panel

The keys on control panel 1 are used for selecting machine functions for setting-up purposes, for sewing operations and for entering parameters.

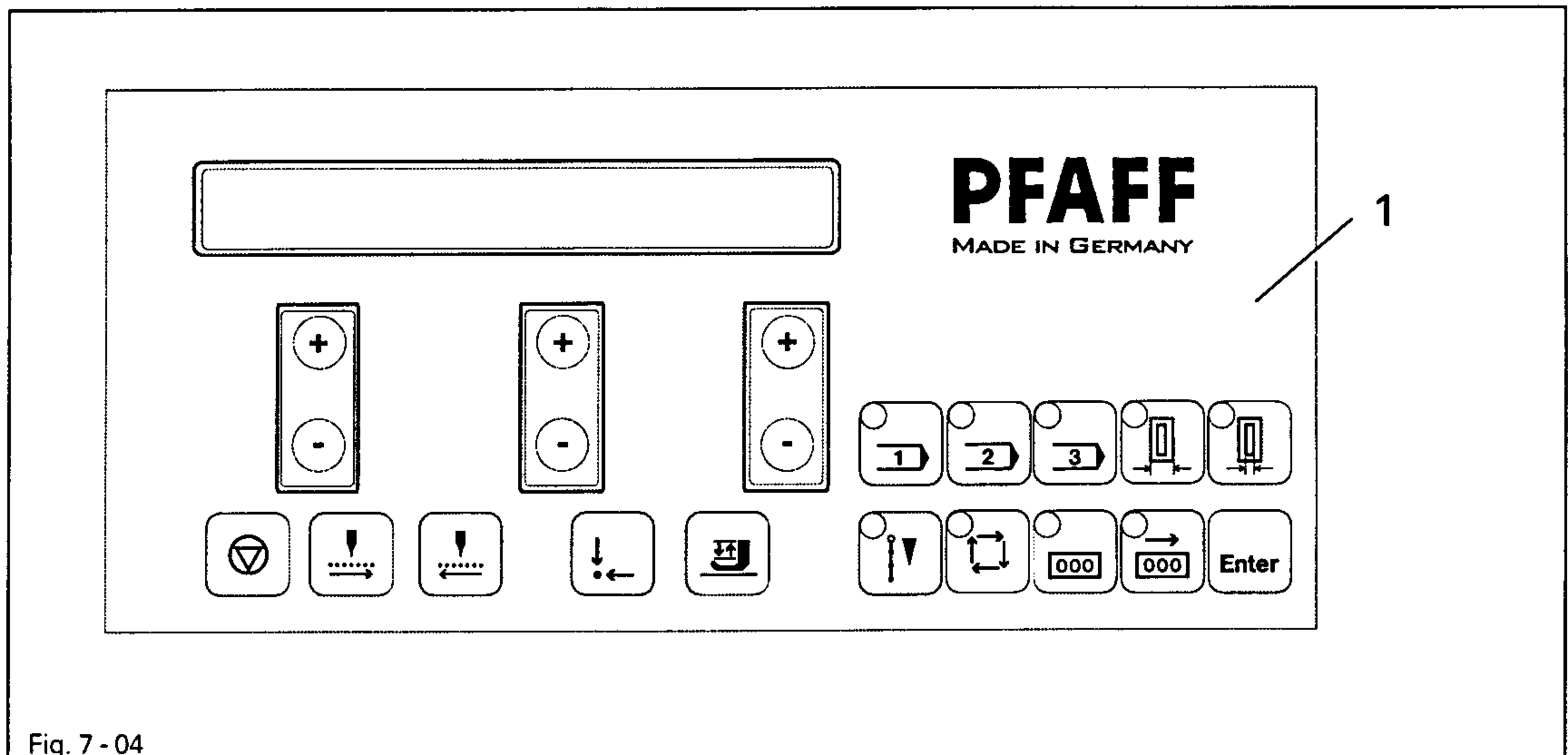
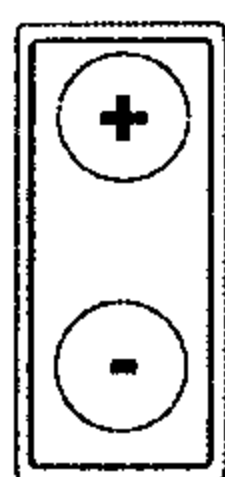


Fig. 7 - 04



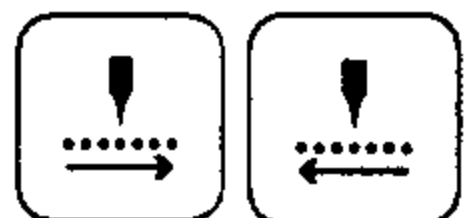
Plus / minus key

- The values showed on the display can be increased or reduced on the respective key using these keys.



Stop

- When operated during a sewing cycle, the machine is stopped.
- If operated outside a sewing cycle, the winding operation is started/stopped.
- When entering the code number this key corresponds to the figure 0.

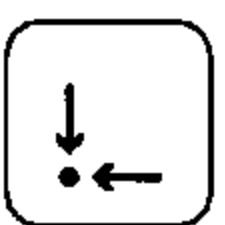


Step-by-step forwards / step-by-step backwards

- Step-by-step movement through the entire sewing cycle forwards or backwards.



When moving step-by-step through the sewing cycle, all cutting procedures will be carried out! Danger of injury if the knife engages!



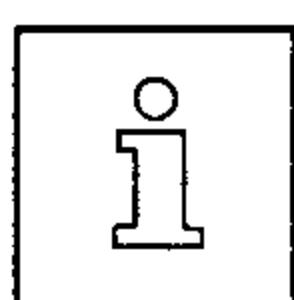
Basic position

- In the operational mode Sewing the machine moves to the basic position.
- In the operational mode Input the parameter input is interrupted (without the values being saved) and the function group level of the parameter list is selected (100, 200, ..., 800).



Work clamp raised / lowered

- In the operational mode Sewing the work clamp is raised/lowered.
- When entering the code number, this key corresponds to number 6.



Further functions can be selected with the keys described below, which are each equipped with an LED. When the LED lights up the corresponding function is activated / switched on.

Stitch density coarse/medium/fine

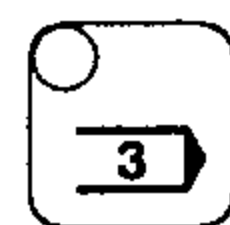
The key function depends on what is displayed on the screen, see **Chapter 10 Sewing**.
If the program number is displayed on the screen instead of the cut length, the 3 following keys are used as call-up keys for variable and special programs.



- When the cut length is displayed, the machine switches to **coarse** using the stitch density.
- When entering the code number this key corresponds to the figure 1.



- When the cut length is displayed, the machine switches to **medium** using the stitch density.
- When entering the code number this key corresponds to the figure 2.



- When the cut length is displayed, the machine switches to **fine** using the stitch density.
- When entering the code number this key corresponds to the figure 3.



Buttonhole width

- After this function has been activated, the current buttonhole width value is displayed on the screen and can be altered with the corresponding **plus / minus** key.
- When entering the code number, this key corresponds to number 4.



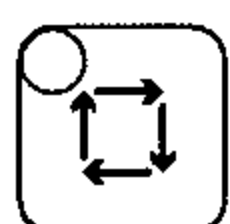
Cut width/purl seam extension

- When this function is activated, the current values for the cut width (left) and the extension of the purl seam (right) are displayed on the screen and can be altered with the corresponding **plus/minus** key.
- When entering the code number, this key corresponds to number 5.



Sewing mode

- With this key it is possible to switch between sewing mode (LED on) and parameter input (LED off).



Double sewing cycle

- After this function has been activated, the buttonholes are sewn twice.
- When entering the code number, this key corresponds to number 7.



Piece counter / reverse counter

- When one of these functions is selected, the other function is deactivated.
- When the function is selected, the current value appears on the right hand side of the screen, the set value appears on the screen after the key is pressed twice and can be altered with the corresponding **plus / minus** key.
- When entering the code number, this key corresponds to number 8 (piece counter) or number 9 (reverse counter).



Enter

- This key is used to confirm an input and to acknowledge error corrections.

For control the width and length of the seams in relation to the knife opening. The left number controls the width and the right number controls the length.

When changing the pre-select count of the bobbin counter, press the + on the right button

8 Installation and commissioning



The machine must only be installed and commissioned by qualified personnel!

All relevant safety regulations must be strictly adhered to!

If the machine is delivered without a table, be sure to use a stand and table top that can hold the weight of the machine with its motor.

It is very important to ensure that the stand of the machine is firm and steady, also during sewing.

8.01 Installation

The site where the machine is installed must be provided with suitable connections for electric current.

It must be ensured that the standing surface of the machine site is firm and horizontal, and that sufficient lighting is provided for.



For packing and transportation reasons the table top is in the lowered position. The table height is adjusted as described below.

8.01.01 Adjusting the table height

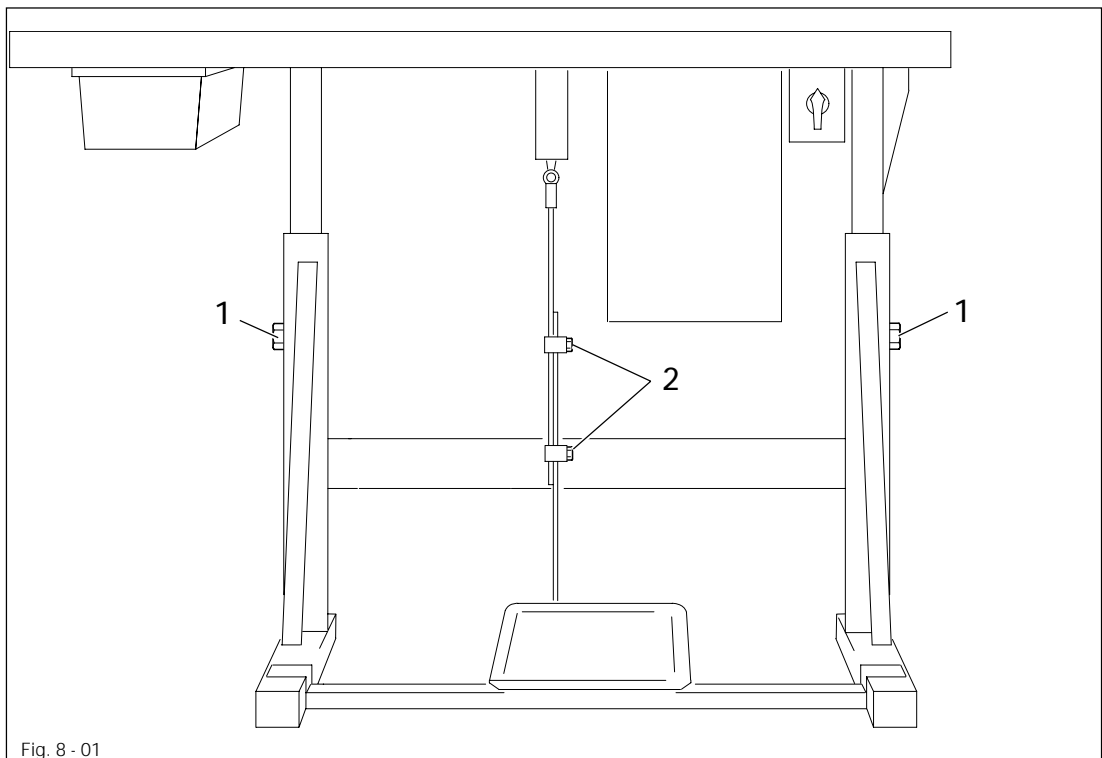


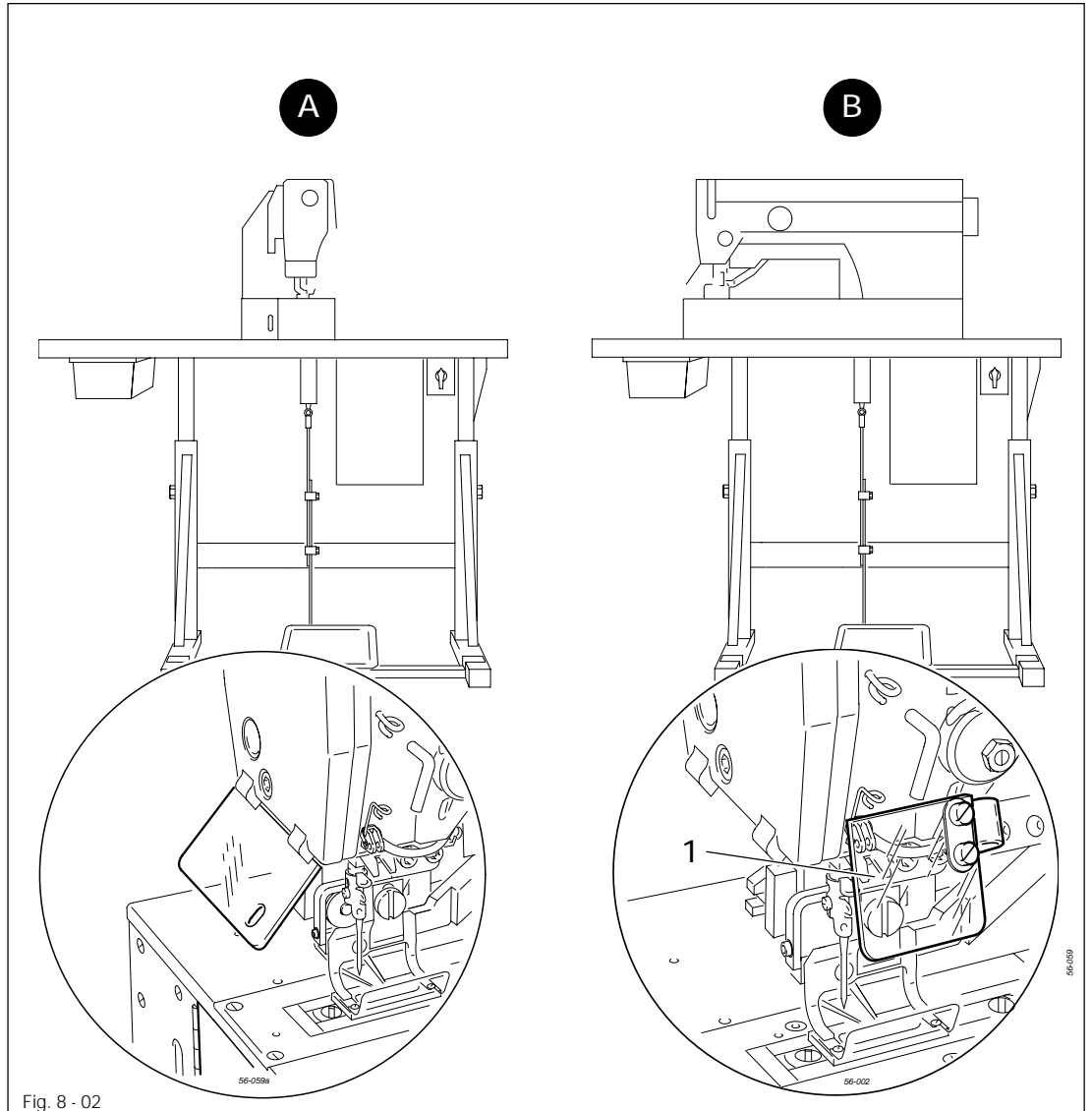
Fig. 8 - 01

- Loosen screws 1 and 2 and set the table height as required.
- Firmly tighten screw 1.
- Set the required pedal position and tighten screw 2.

8.01.02 Installation variants

The PFAFF 3119 can be installed in two different ways.

- Version A: Sewing crosswise to the table edge
- Version B: Sewing parallel to the table edge



When the machine is installed for "Sewing parallel to the table edge", the eye shield 1, part no. 91-160 383-90, must be fitted.

8.01.03 Connecting the plug-type connections

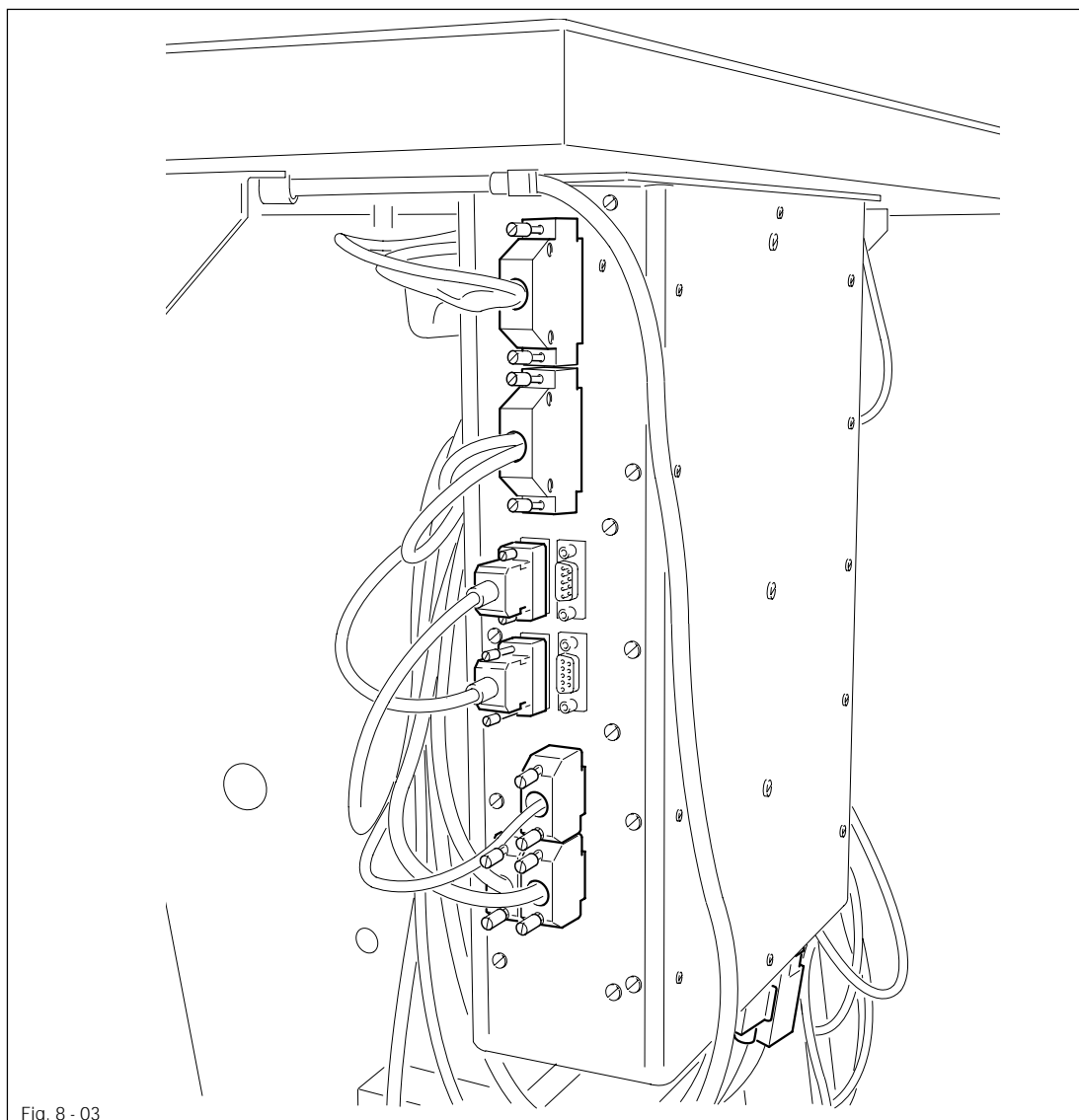


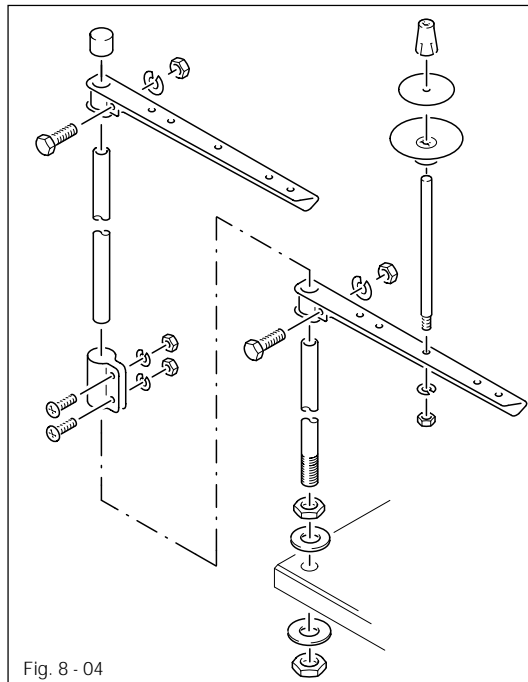
Fig. 8 - 03

- Connect all plugs 1 - 7 as labelled in the control box.



The serial interface 8 is used to transfer data between the PC and the machine control unit (e.g. for software updates, work with SAM and OSCA programs).

8.01.04 Fitting the reel stand



- Fit the reel stand as shown in Fig. 8 - 04.
- Afterwards insert the stand in the hole in the table top and secure it with nuts provided.

8.02 Commissioning

- Clean the machine thoroughly and then check the oil level (see Chapter 12 Care and Maintenance).
- Check the machine, in particular the electric leads and pneumatic connection tubes, for any damage.
- Have mechanics ensure that the machine's motor can be operated with the available electricity supply.
- Connect the machine to the compressed air system. The manometer should show a pressure of **6 bar**.
If necessary, set this value (see Chapter 12.04 Checking / adjusting the air pressure).

8.03 Switching the machine on / off

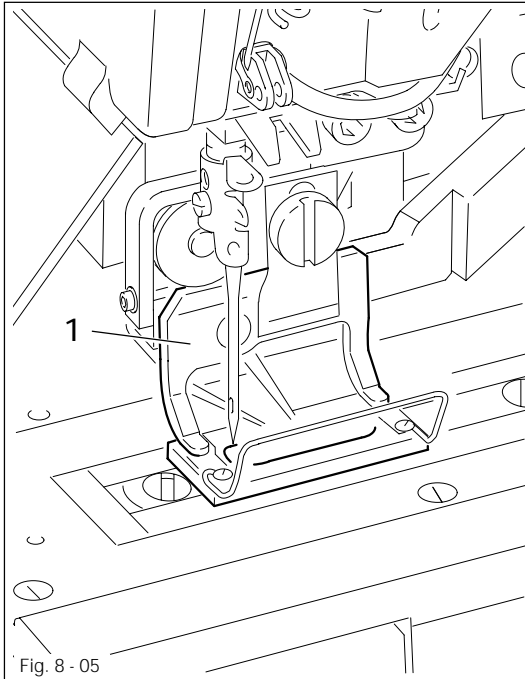
- Switch the machine on or off (see Chapter 7.01 On/off switch).
- Setting up the machine control unit, see Chapter 8.04 Setting up the machine control unit.

Installation and commissioning

8.04 Setting up the machine control unit

After the initial machine start up, first of all the allocation of the machine control unit to the machine sub-class being used must be checked and adjusted if necessary.

8.04.01 Establishing the sub-class



- Measure the size of the cut-out in the work clamp 1.
- With the cut-out size and the aid of the following table, the sub-class and the parameter value "202" can be established.
- How to set parameter "202" is described in Chapter 8.04 Setting parameter "202".

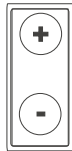
| Work clamp cut-out | Sub-class | Value for parameter "202" |
|--------------------|------------------|---------------------------|
| 30,0 x 5,6 | 3119-1/51, -1/52 | 1 |
| 40,0 x 5,6 | 3119-2/51 | 2 |
| 40,0 x 6,7 | 3119-2/53 | 3 |
| 44,0 x 6,7 | 3119-2/63 | 3 |
| 46,0 x 6,7 | 3119-3/51 | 4 |
| 55,0 x 7,0 | 3119-4/51 | 5 |

8.04.02 Setting parameter "202"

- Switch on the machine.



- Select operational mode Input (LED in the key is off).



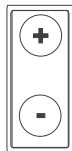
- Using the corresponding **plus/minus** key select the function group, e.g. "200".

200



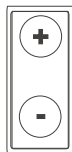
- Confirm input with **Enter**.
- Enter the code, see [Chapter 11.03 Entering/altering the access code](#).

201



- Using the corresponding **plus/minus** key select e.g. parameter " 202" .

202 1



- Using the corresponding **plus/minus** key select the value for the established sub-class, e.g. "3" for sub-class 3119-2/53, see [Chapter 8.04.01 Establishing the sub-class](#).

202 3



- Conclude parameter input by switching to operational mode Sewing.

Setting up



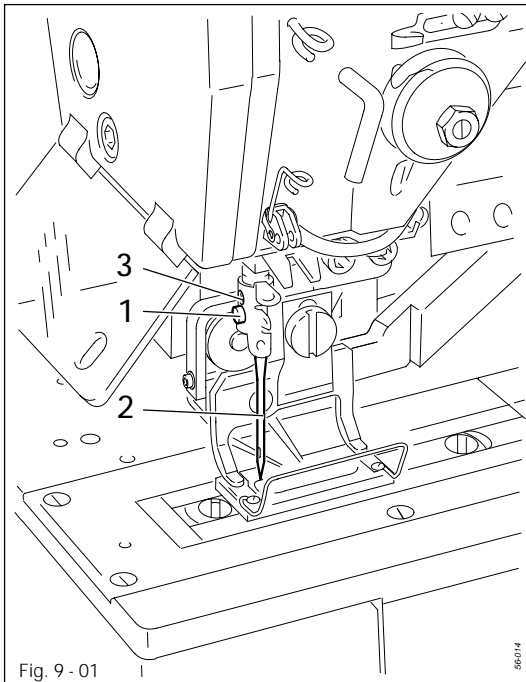
All instructions and regulations in this instruction manual must be observed. Special attention must be given to all safety regulations!



All setting-up work must only be done by personnel with the necessary training. For all setting-up work the machine must be isolated from its power supply by turning off the on/off switch or removing the machine plug from the electric power socket!

9.01

Inserting the needle



Switch off the machine!
Mechanically lock the knife using the knife engagement prevention key! Danger of injury from the needle and the knife!

- Loosen screw 1.
- Insert needle 2 as far as possible and with the long needle groove pointing in the direction of the knife.
- Tighten screw 1.



Through hole 3 it is possible to check, whether needle 2 has been inserted as far as possible.

By inserting suitable tools in hole 3, broken needles can be driven out.

9.02

Winding the bobbin thread / adjusting the preliminary thread tension

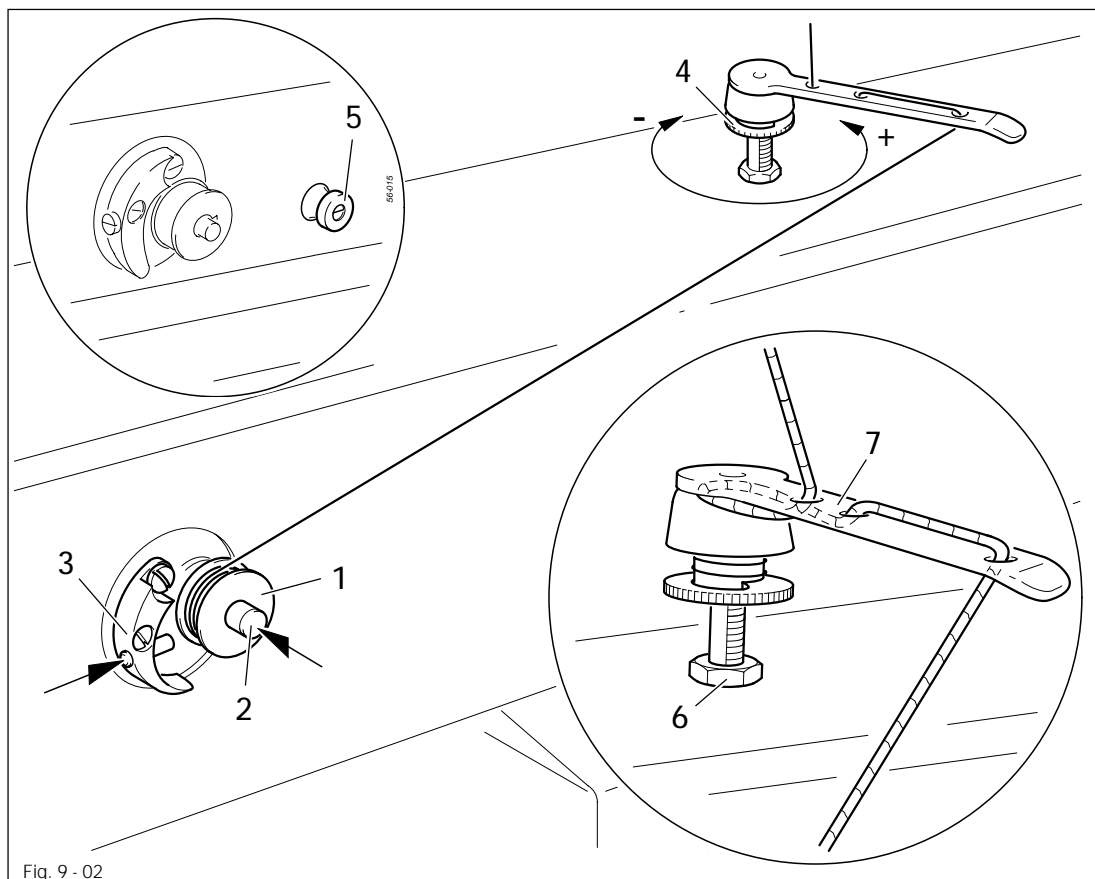


Fig. 9 - 02

- Place an empty bobbin 1 on winder spindle 2.
- Thread up as shown in Fig. 9 - 02 and wind the thread a few times clockwise around bobbin 1.
- Engage the bobbin winder by pressing spindle 2 and lever 3 simultaneously.



The bobbin is wound during sewing.

- The tension of the thread wound onto bobbin 1 is set on milled screw 4.
- The bobbin winder will stop when sufficient thread is wound onto bobbin 1.
- After winding the needle thread can be cut with thread knife 5.

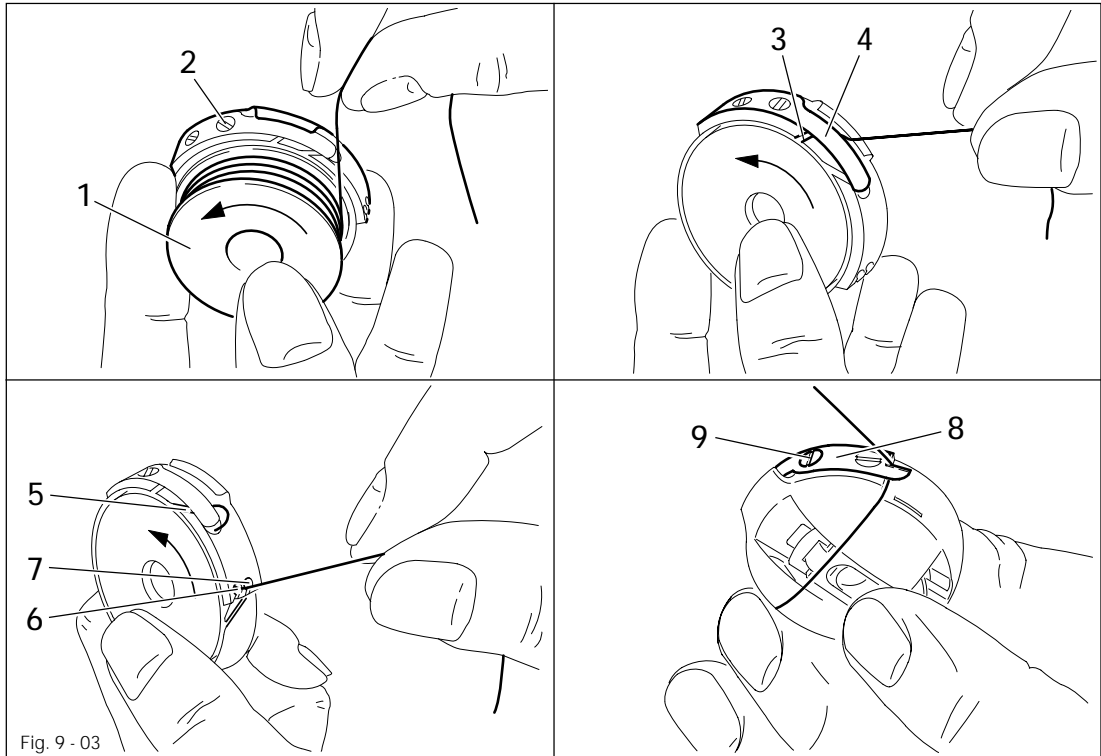
If the thread is wound on unevenly:

- Loosen nut 6.
- Turn thread guide 7 as required.
- Tighten nut 6 again.



Winding the bobbin outside the sewing cycle.

With the **Stop** key it is possible to switch off the drive of the feeding mechanism and the knife, so that bobbin winding only takes place with pedal operation. To wind the bobbin, the needle thread must be removed.



- Insert the bobbin 1 in the bobbin case.
- First guide the thread into slot 3 and under spring 4.
- Then guide the thread into slot 5.

For **purl** buttonholes:

- Push thread through opening 6.

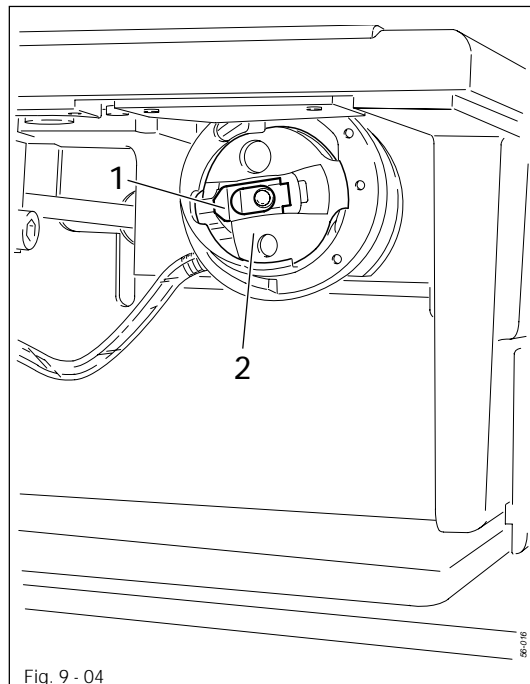
For **flat** buttonholes:

- Push thread through opening 7.
- Trim thread on thread knife 8.
- Adjust the thread tension by turning screw 9.
- To do so use the tools supplied.



When sewing flat buttonholes, the tension of the bobbin thread must be so high, that the bobbin thread is interlooped on the bottom side of the material.

9.04 Changing the bobbin



Switch off the machine!
Lock the knife mechanically with the knife engagement prevention device! Danger of injury from the needle and the knife!

- Open the cover of the hook compartment.
- Removing the bobbin:
- Raise latch 1 and remove bobbin case 2 together with the bobbin.
- Inserting the bobbin:
- Raise latch 1 and insert bobbin case 2 together with the bobbin on the hook
 - Release latch 1 and push the bobbin case onto the hook until you feel it snap into place.
 - Close the cover of the hook compartment.

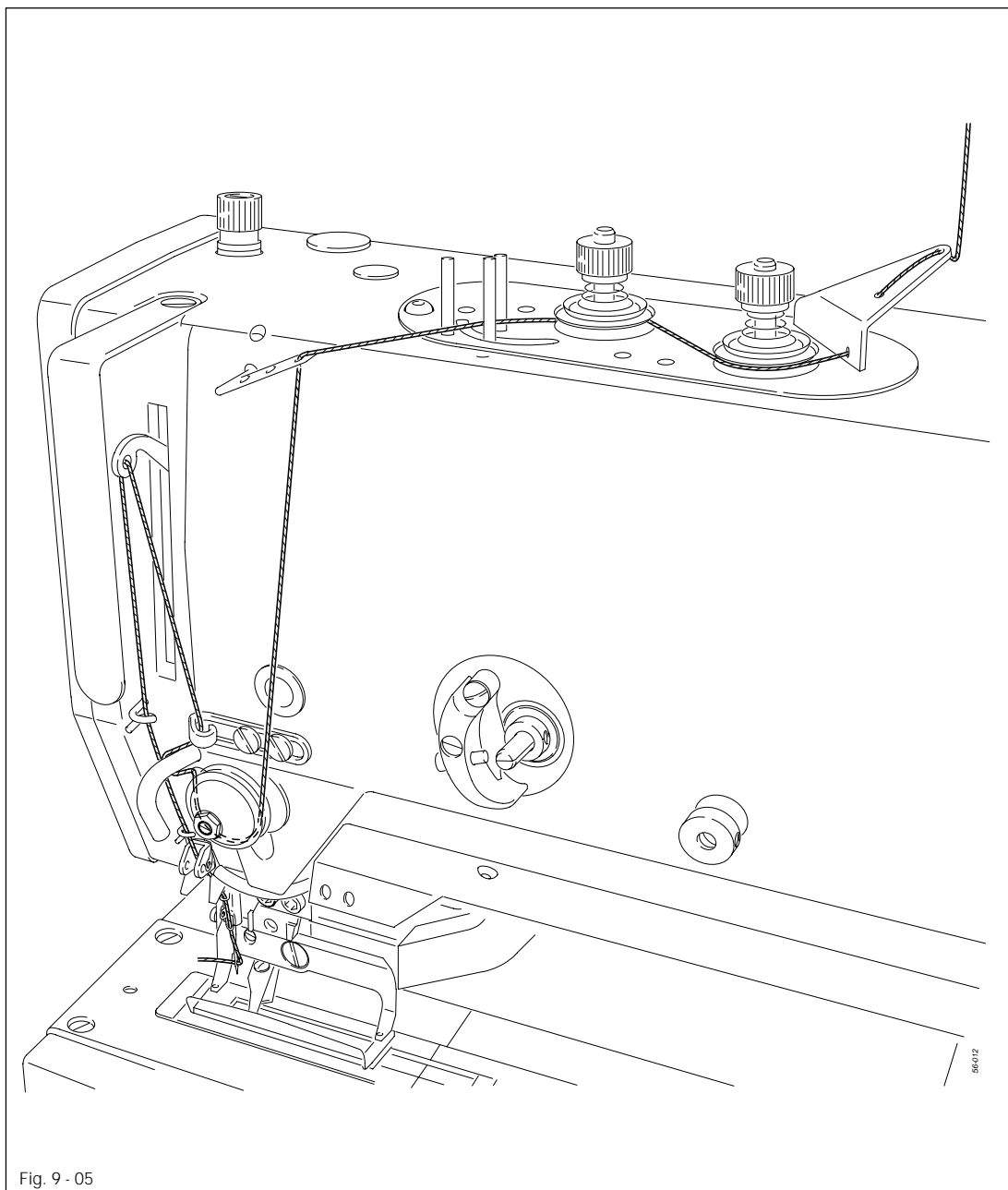


Fig. 9 - 05



Switch off the machine!

Lock the knife mechanically with the knife engagement prevention device!

Danger of injury from the needle and the knife!

- Thread the needle thread as shown in Fig. 9-05.

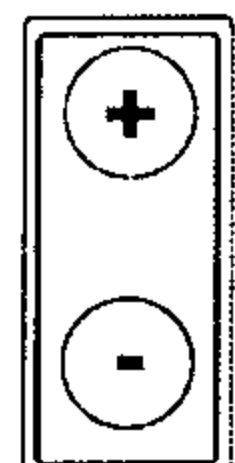
9.06 Selecting the buttonhole type

- Switch on the machine.



- Select operational mode Input (LED in the key Operational mode Sewing should not be on).

100

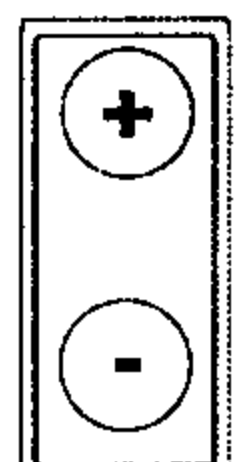


- Select the function group "100" with the appropriate plus / minus key.



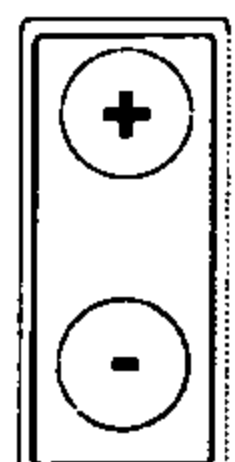
- Confirm with Enter.

101



- Select parameter "105" (type of buttonhole) with the appropriate plus / minus key.

105 2



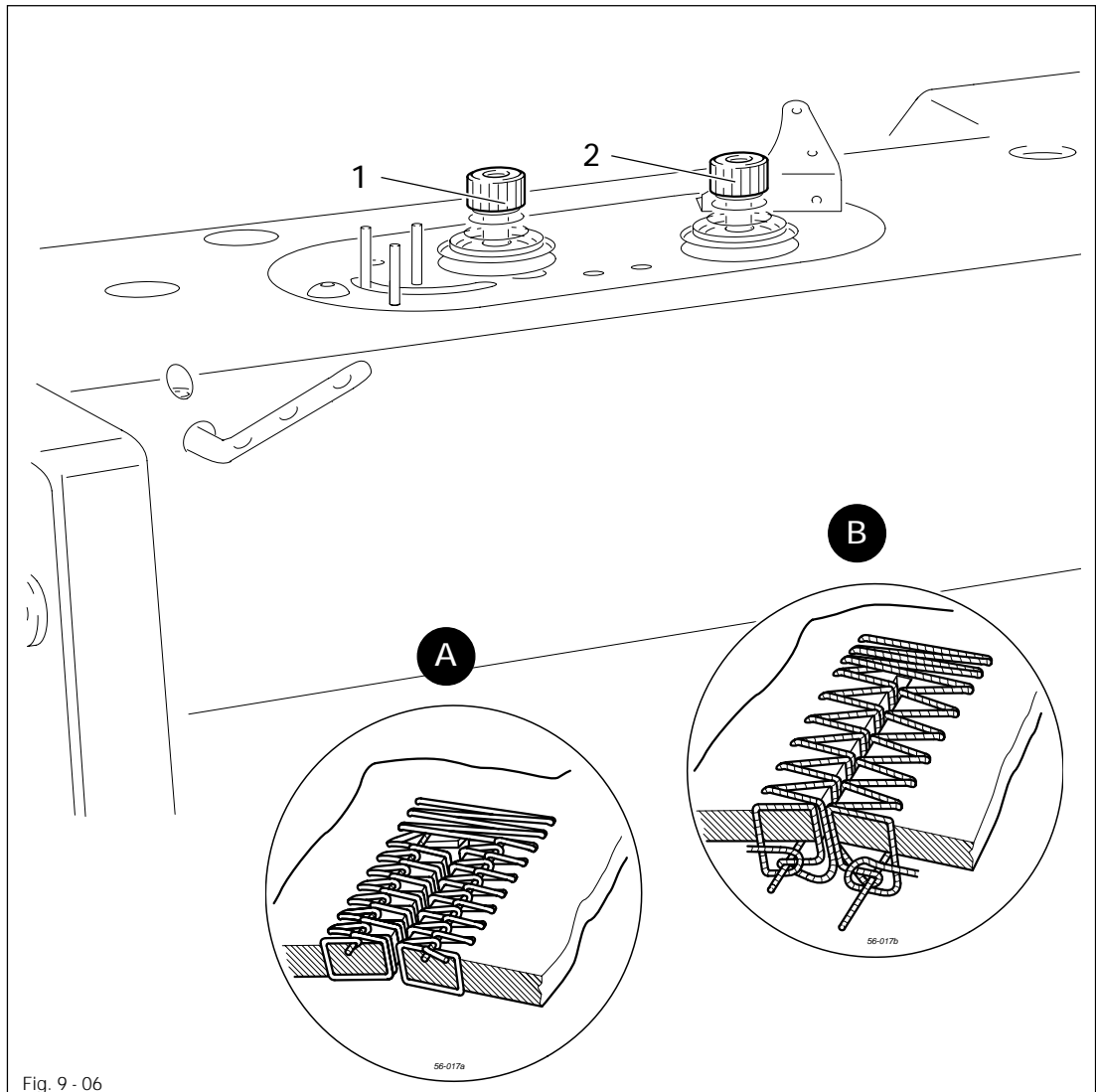
- Select appropriate buttonhole type (1-5) with the appropriate plus / minus key:
 - 1 - purl seam raised, bartack flat
 - 2 - completely flat
 - 3 - completely raised
 - 4 - first sewing cycle completely flat, second cycle completely raised (double sewing cycle)
 - 5 - first sewing cycle completely flat, second cycle purl seam raised, bartack flat (double sewing cycle)



- Switch to Operational mode sewing (LED in key is on).

NOTE:

To get from the parameters 200 or any other parameter back to the parameters 100, press the home key



- Thread and insert the bobbin case according to the required type of buttonhole, see **Chapter 9.03 Inserting the bobbin case / adjusting the bobbin thread tension.**
- Switch on the machine and select the required type of buttonhole (purl or flat buttonholes) on the control panel, see **Chapter 9.06 Selecting the type of buttonhole.**

For **purl** buttonholes (A):

- Open tension unit 1 to the full extent and adjust tension unit 2 so that the stitches are interlooped in the centre of the material.
- Adjust tension unit 1 so that the interloops of the purl seam stitches are pulled upwards.

For **flat** buttonholes (B):

- Adjust tension unit 2 (less tension) so that the interloops of the stitches are pulled to the bottom side of the material.



Carry out the adjustment with different coloured needle and bobbin threads.

9.08 Adjusting the work clamp pressure

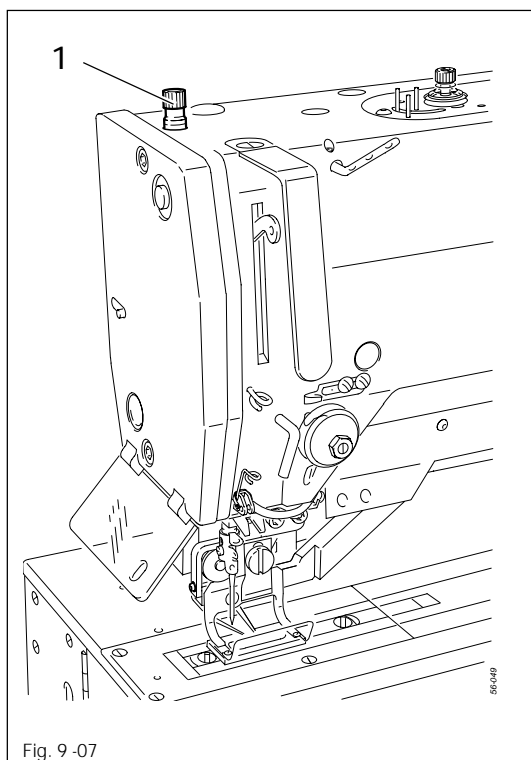


Fig. 9-07

- Adjust the work clamp pressure by turning adjustment screw 1.



The sewing pressure depends on the material of the workpiece and must be adapted to this. It is set correctly when the workpiece is fed reliably and shows no feed signs.

10 Sewing

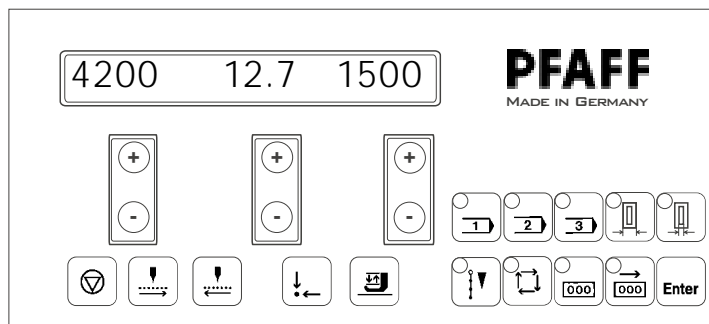
The machine must be installed and connected in accordance with **Chapter 8 Installation and Commissioning**.

- Set-up the machine, see **Chapter 9 Setting-up**.
- Switch on the machine, see **Chapter 7.01 On/off switch**.
The machine is automatically in the operational mode Sewing.
- Start the sewing cycle with the pedal, see **Chapter 7.02 Pedal**.

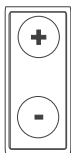


The display on the operating panel and the operation of the machine depend on the pre-setting of parameter "103". With parameter "103" it is possible to choose whether the speed or buttonhole model should be displayed.

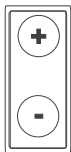
10.01 Operating panel with speed display



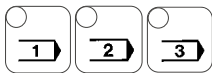
What is shown on the display screen:



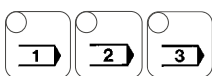
4200: Maximum speed
The value can be altered directly with the corresponding **plus/minus** key.



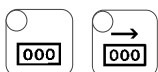
12.7: Cut length
The value can be altered directly with the corresponding **plus/minus** key.
The buttonhole is selected by selecting the cut length (from 6.4 mm to 38.1 mm depending on the sub-class) in conjunction with the selected **stitch density**.



After moving through the area with the cut length values, the program numbers of the stored variable and special programs appear on the display.

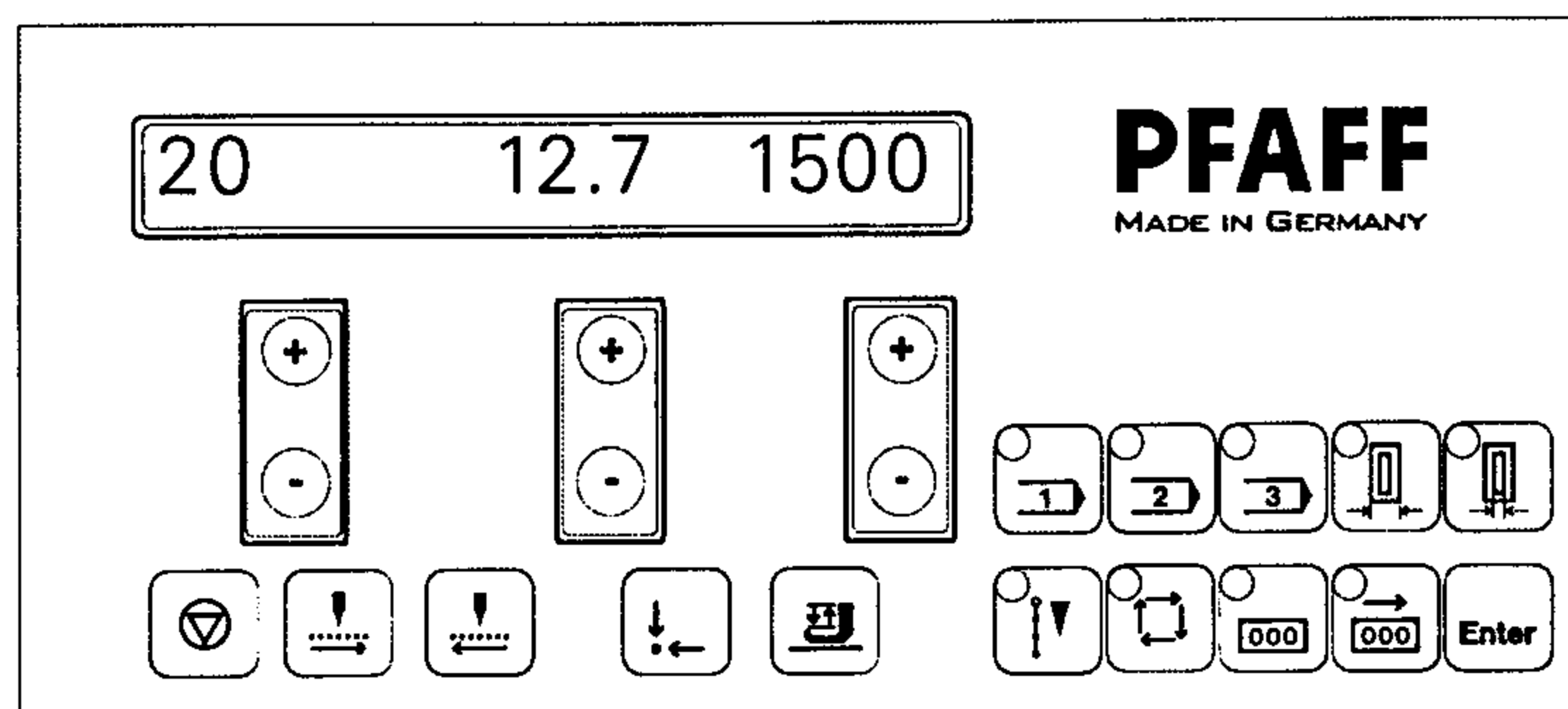


Only the program numbers occupied are displayed, variable programs from 1 to 39, special programs from 40-49. The **selection keys for the stitch density** are used as call-up keys for selecting these programs. The currently selected program number is stored on the corresponding selection key if the **selection key** is pressed for longer than 2 seconds.

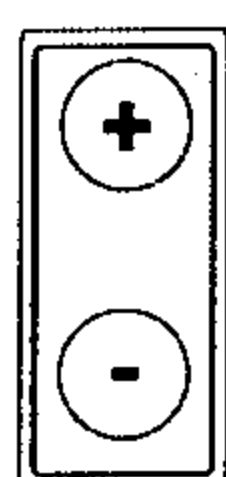


1500: Depending on the activated function (**piece counter** or **reverse counter**) the number of buttonholes already sewn or the number still to be sewn is displayed.

10.02 Operating panel with display of the buttonhole model

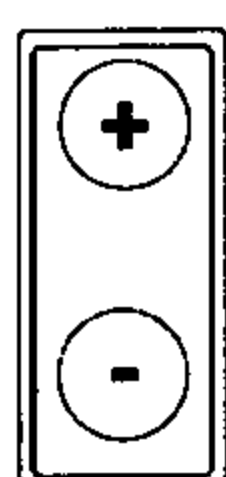


What is shown on the display screen:



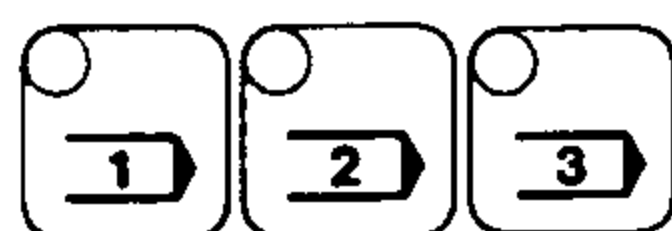
20: **Buttonhole model**

The buttonhole model can be altered with the corresponding plus/minus key. If variable programs are selected (see cut length) the number of the buttonhole model allocated to the variable program appears. No value is shown when special programs are selected.



12.7: **Cut length**

The value can be altered directly with the corresponding plus/minus key. The buttonhole is selected by selecting the cut length (from 6.4 mm to 38.1 mm depending on the sub-class) in conjunction with the selected **stitch density**.

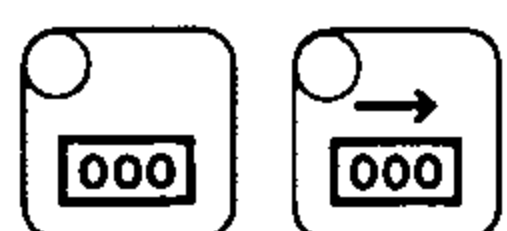


After moving through the area with the cut length values, the program numbers of the stored variable and special programs appear on the display.

Only the program numbers occupied are displayed, variable programs from 1 to 39, special programs from 40-49.



The **selection keys for the stitch density** are used as call-up keys for selecting these programs. The currently selected program number is stored on the corresponding selection key if the **selection key** is pressed for longer than 2 seconds.



1500:

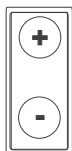
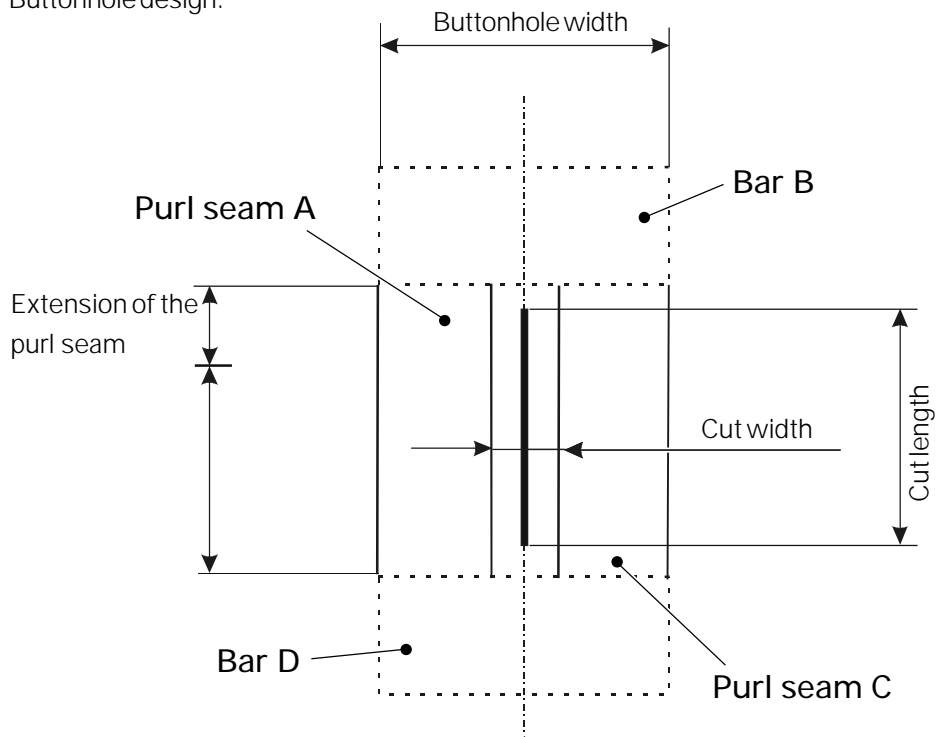
Depending on the activated function (**piece counter** or **reverse counter**) the number of buttonholes already sewn or the number still to be sewn is displayed.

Select a variable program number (1 to 39), now press and hold the stitch density button for 2 to 3 seconds

10.03 Selecting a buttonhole

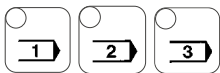
31 different buttonhole models can be selected. Depending on the sub-class up to 48 fixed programs are allocated to each model. The desired fixed program is selected by choosing the cut length and stitch density. With a maximum of 16 cut lengths and 3 stitch densities this gives a total of 48 fixed programs.

Buttonhole design:

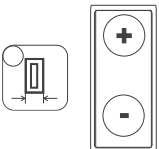


- Select the cut length (depends on the knife installed).

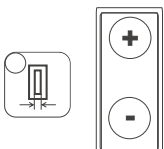
12,7



- Select the stitch density.



- If necessary adjust the buttonhole width.

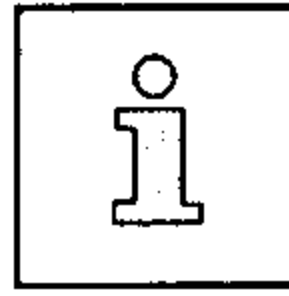


- If necessary adjust the cut width (left)/purl seam extension (right).

10.04 Selecting the cut length of the buttonhole

In general the cut length of the buttonhole is defined by the size of the knife installed. With the "multiple cut" function it is possible to make larger buttonhole cut lengths.

IMPORTANT NOTE:



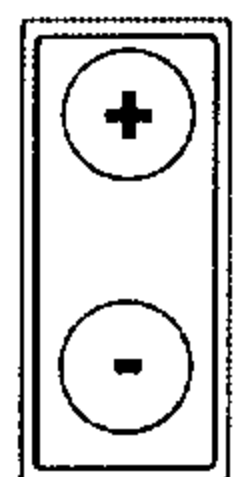
To avoid premature wear of the cutting equipment we recommend the use of a knife matching the buttonhole length.

Activating the multiple cut function

- Switch on the machine.



- Select the operational mode Input (LED in the key is off).



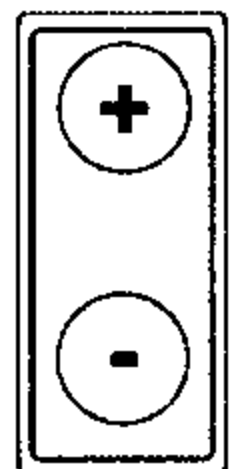
- Select the function group, e.g. "200", with the corresponding plus/minus key.

200



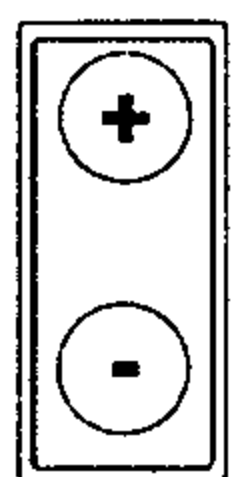
- Confirm the input with Enter.
- Enter the code, see Chapter 11.03 Entering/altering the access code.

201



- With the corresponding plus/minus key select e.g. parameter "207" (multiple cutting).

207 |

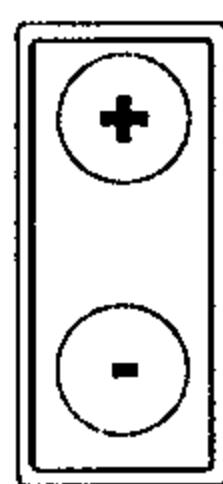


- Activate the multiple cutting function with the corresponding plus/minus key.

207 ||

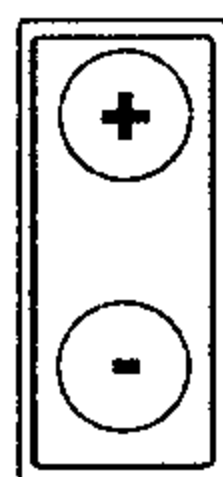
- The knife length and cut overlap must then be entered.

Entering the knife length and cut overlap



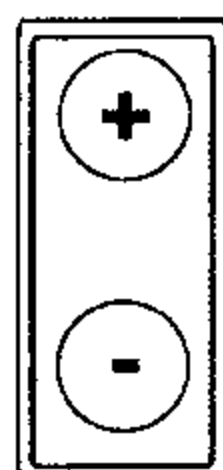
- With the corresponding plus/minus key select e.g. the parameter "208" (knife length and cut overlap of the knife installed).

208 6.4 0.0



- With the corresponding plus/minus key select the knife length, e.g. 16.0 mm.

208 16.0 0.0



- With the corresponding plus/minus key select the cut overlap, e.g. 0.5 mm.

The amount of overlapping of the second stroke of the knife.

Overlapping means that the second cutting cycle of the knife down overlaps the first cut cycle by this amount. This is only true if the knife has to cycle more than twice to cut the buttonhole opening

208 16.0 0.5



- Conclude the parameter input by switching to operational mode Sewing (LED in the key is on).

IMPORTANT

When the length of the button hole requires that the knife does multiple cutting, the length of the knife must be entered at parameter 208 to keep from damaging the presser foot

11 Input

In the operational mode Input the values of the machine parameters can be altered, e.g. for setting up the machine or for creating/modifying seam programs.

11.01 Summary of the function groups and parameters



Operational mode Input (LED is off)

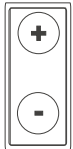
| | | | | | | |
|-----|---|-----|--|----|--|--|
| 100 | Operating staff | 101 | Knife suppression | I | off | |
| | | | | II | on | |
| | | 102 | Stop – needle thread fault | I | off | |
| | | | | II | on | |
| | | 103 | Display in Sewing mode | I | Buttonhole model | |
| | | | | II | Speed | |
| | | 104 | Display software version | | | |
| | | 105 | Buttonhole type | 1 | Raised purl seam, flat bar | |
| | | | | 2 | Flat purl seam and bar | |
| | | | | 3 | Raised purl seam and bar | |
| | | | | 4 | Cycle 1, flat purl seam and bar Cycle 2, raised purl seam and bar | |
| | | | | 5 | Cycle 1, flat purl seam and bar Cycle 2, raised purl seam, flat bar | |
| | | 106 | Buttonhole model (see Chapter 11.05.03) | | | |
| | | 107 | Maximum speed | | | |
| | | 108 | Number of securing seam cycles (only for buttonhole model 2) | | | |
| | | | | | | |
| 200 | Specialists | 201 | Deleting variable programs | | | |
| | | 202 | Sub-class | 1 | -1/51 and -1/52 | |
| | | | | 2 | -2/51 | |
| | | | | 3 | -2/53 and -2/63 | |
| | | | | 4 | -3/51 | |
| | | | | 5 | -4/51 | |
| | | 203 | PC connection | | | |
| | | 204 | Bobbin thread monitor | I | on | |
| | | | | II | off | |
| | | 205 | Needle thread monitor | I | on | |
| | | | | II | off | |
| | | 206 | Copying programs | | | |
| | | 207 | Multiple cuts | I | off | |
| | | | | II | on | |
| | | 208 | Enter knife length and cut overlap | | | |
| | | 209 | Double cycle with offset stitch | 1 | Full number of stitches per cycle | |
| | | | | 2 | Half number of stitches per cycle | |
| | | 210 | Knife release | | | |
| | | 211 | Number of finishing stitches | | | |
| | | | | | | |
| 300 | Programming (see Chapter 11.05.02, 11.05.04 and 13.47.02) | | | | | |
| 400 | Times (see Chapter 13.47.02) | | | | | |
| 500 | Counters and speeds (see Chapter 13.47.02) | | | | | |
| 600 | Service (see Chapter 13.47.02) | | | | | |
| 700 | Sewing motor (see Chapter 13.47.02) | | | | | |
| 800 | Access rights (see Chapter 11.04 and 13.47.02) | | | | | |

11.02 Selecting the function group and altering the parameters

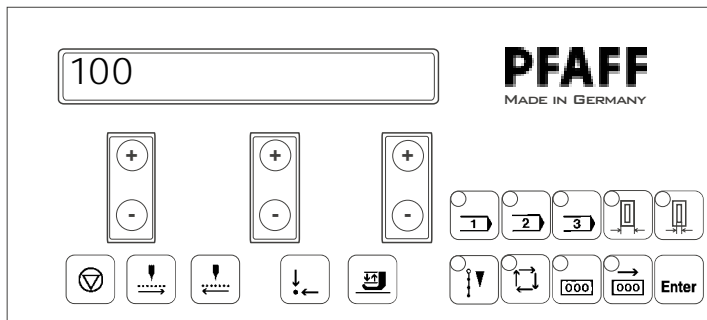
- Switch on the machine.
After the machine is switched on, the operational mode Sewing is activated automatically.



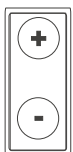
- By pressing the key activate **Operational mode Input** (LED in the key is off).



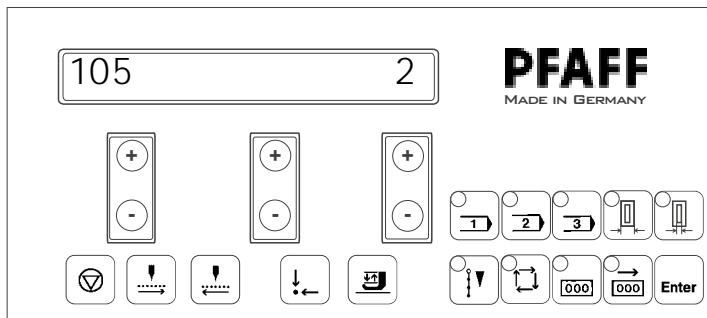
- Select the desired function group with the corresponding **plus/minus** key.
On delivery only the function group "100" has free access, the other function groups are protected from unauthorised access by a code.



- The function group is selected by pressing **Enter**.



- Select the desired parameters and alter the desired value using the corresponding **plus/minus** key.



- When the **Enter** key is pressed, the altered value is saved and the next parameter is selected.

or



- When **Operation mode Sewing** is selected the altered value is saved and the machine changes to the operational mode sewing (LED in the key is **on**).

or



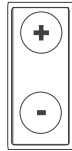
- when the **Reset** key is pressed the altered value is not saved and the function group selection is called up.

11.03 Entering / altering the access code

- Switch on the machine.



- Switch to parameter input (LED in the key is not on).

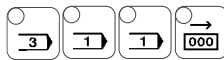


- Select the function group "800" with the appropriate plus / minus key.

800

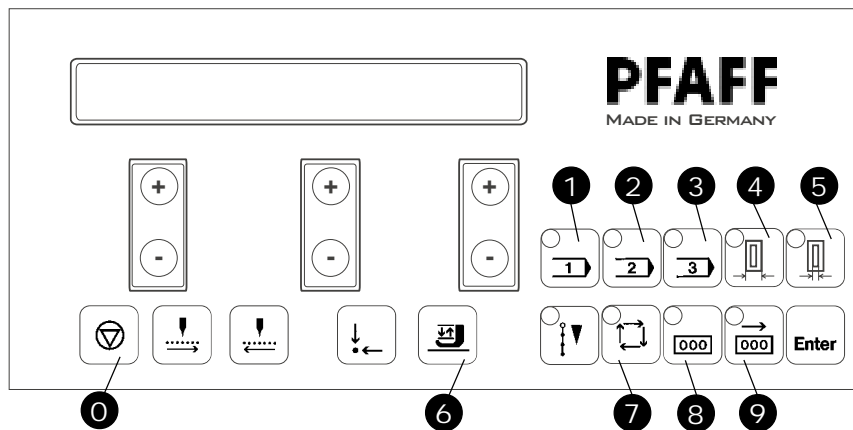


- Confirm with Enter.



- Enter code

The numbers are entered with the appropriate function keys as illustrated below. The factory code setting is "3119".

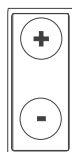


Code: 3119



- Confirm input with Enter.

801 0



- To change the access code, select parameter "819" (enter access code) with the appropriate plus / minus key.

819 3119



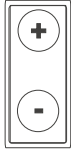
- Enter the new code number and take it over with Enter or by selecting Operational mode sewing.

11.04 Allocating access rights

- Switch on the machine.



- Switch to parameter input (LED in the key is not on).



- Select the function group "800" with the appropriate **plus / minus** key.

800



- Confirm input with **Enter**.

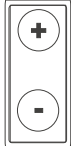
- Enter code (e.g. 3119)

Code: 3119



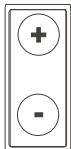
- Confirm input with **Enter**.

801 0



- Select the required parameter "801" to "818" with the appropriate **plus / minus** key, see **Chapter 13.44 Parameter settings**.

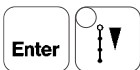
818 1



- Release or lock the selected parameter with the appropriate **plus / minus** key.
0: Parameter function is freely accessible.
1: Parameter function only available after access code has been entered.



If all parameters (801 to 818) are set at "0", no further enquiry for the access code ensues.



- Take over setting with **Enter** or by selecting **Operational mode Sewing**.

11.05 Variable programs

39 variable programs can be stored in the machine. A variable program can be selected with the program number 1 to 39.

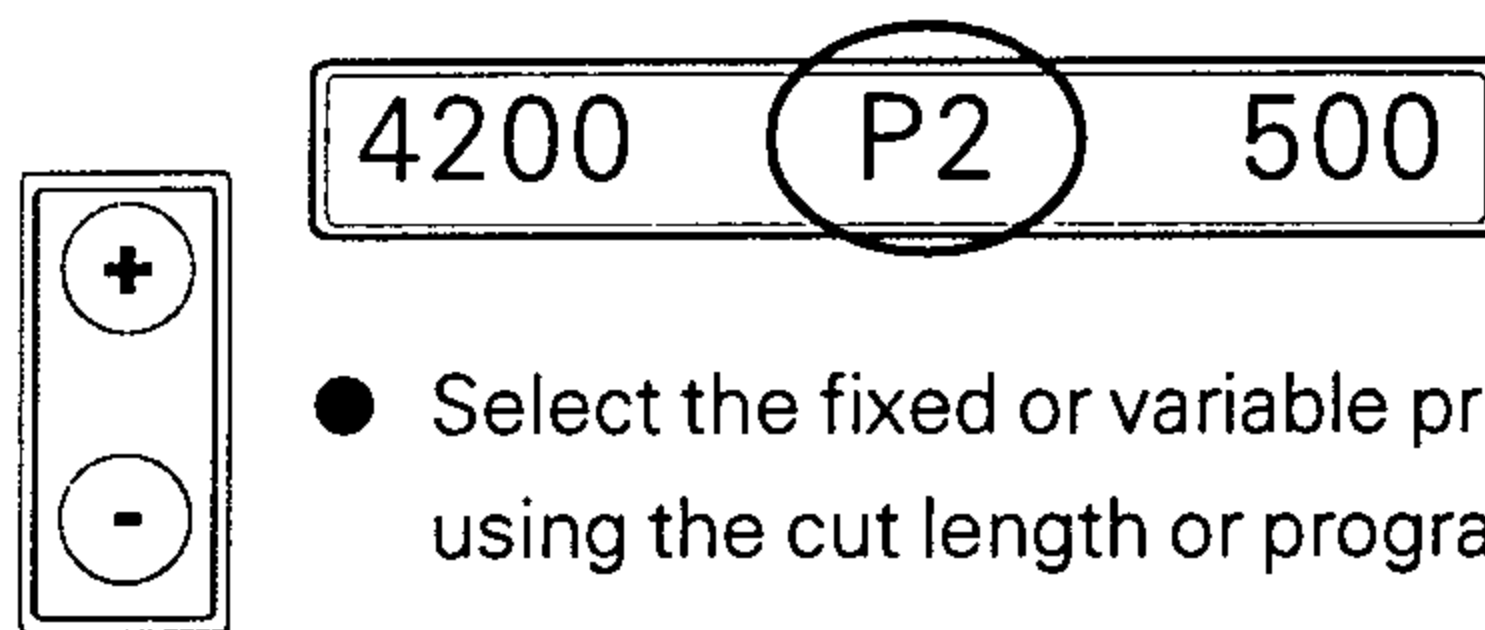
Variable programs can be created by copying and altering the desired parameters of an existing program or by entering completely new parameters.

Program number 40 is a special program and cannot be changed.

11.05.01 Copying programs

If there is a program in the machine which corresponds approximately to the required program, this can be copied and then altered. This method is particularly suitable if e.g. only one parameter has to be altered, to achieve the desired result.

- Switch on the machine.

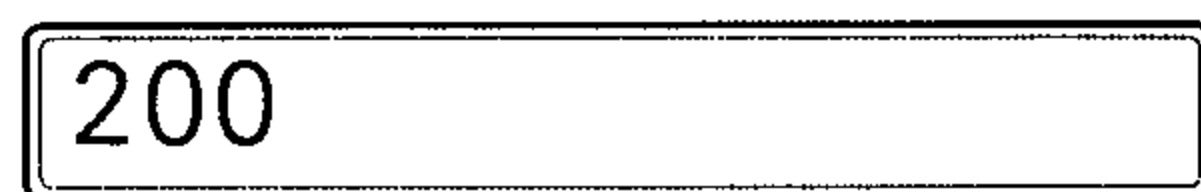


- Select the fixed or variable program to be copied with the corresponding plus/minus key using the cut length or program number (e.g. P2).



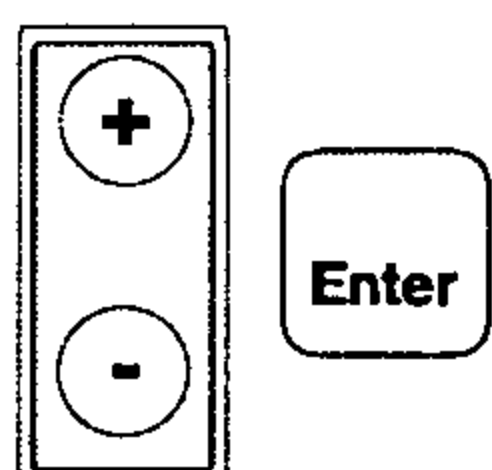
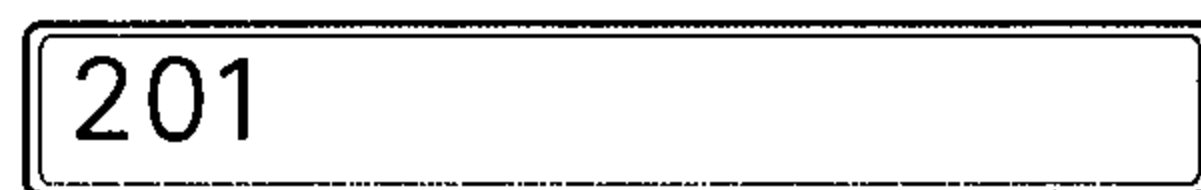
- Select the operational mode Input (LED in the key is off).

- Select function group "200" using the corresponding plus/minus key.

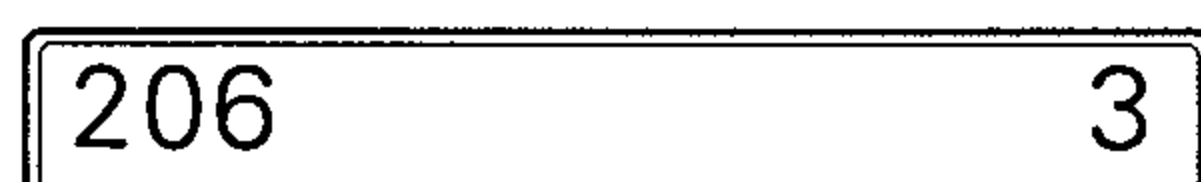


- Confirm the input with Enter.

- Enter the code, see Chapter 11.03 Entering/altering the access code.



- Select parameter "206" (copying program) with the corresponding plus/minus key and confirm with Enter. On the display the next free program number appears after the parameter (variable programs from 1 – 39).



- Confirm the input with Enter.

The next steps for altering the program are described in Chapter 11.05.02 Creating/modifying variable programs.

11.05.02 Creating/modifying variable programs

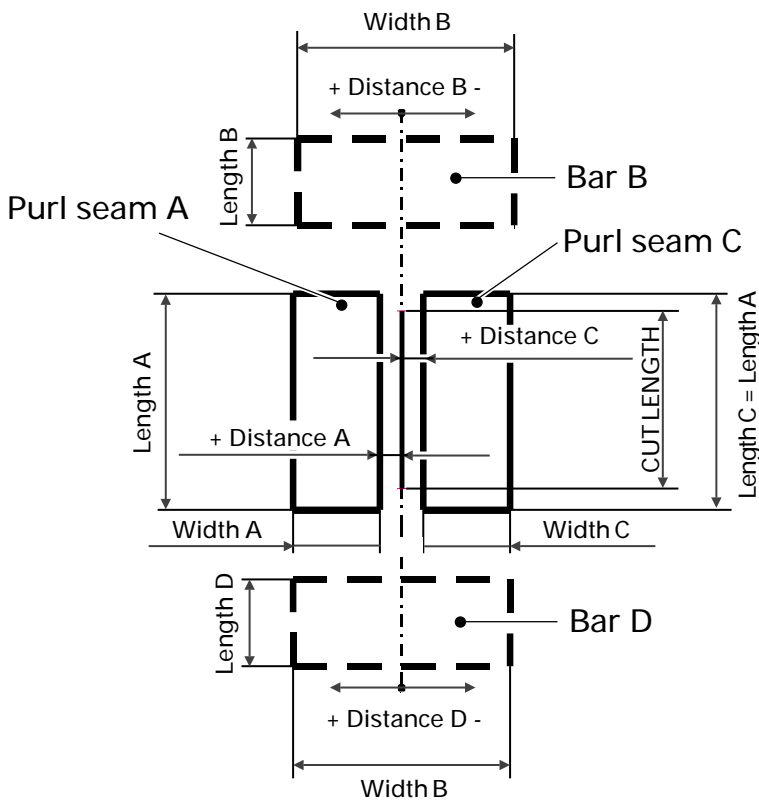
A variable program is written with the parameters of the function group "300".
The variable program can be adapted to individual requirements by altering individual parameters.

As illustrated below variable programs consist of 4 sections:

- Purl seam A
- Purl seam C
- Bar B
- Bar D

In addition to the purely geometrical data a variable program is also defined by further parameters:

- Buttonhole model, see Chapter 11.05.03
- Number of stitches A, B, C, D
- Secondary thread tension A, B, C, D



| Parameter | Description |
|-----------|----------------------------|
| 301 | Program number |
| 302 | Cut length (mm) |
| 303 | Buttonhole model |
| 304 | Distance A (mm) |
| 305 | Width A (mm) |
| 306 | Length A (mm) |
| 307 | Number of stitches A |
| 308 | Secondary thread tension A |
| 309 | Width B (mm) |
| 310 | Width B1 (mm) |
| 311 | Length B (mm) |
| 312 | Length B1 (mm) |
| 313 | Number of stitches B |
| 314 | Distance B (mm) |
| 315 | Secondary thread tension B |
| 316 | Distance C (mm) |
| 317 | Width C (mm) |
| 318 | Length C (mm) |
| 319 | Number of stitches C |
| 320 | Secondary thread tension C |
| 321 | Width D (mm) |
| 322 | Width D1 (mm) |
| 323 | Length D (mm) |
| 324 | Length D1 (mm) |
| 325 | Number of stitches D |
| 326 | Distance D (mm) |
| 327 | Secondary thread tension D |

11.05.03 Buttonhole models

The following table shows all buttonhole models with their relevant bars.

| Number | Buttonhole model | Bar B | Bar D |
|--------|------------------|-------|-------|
| 1 | | | |
| 2 | | | |
| 3 | | | |
| 4 | | | |
| 5 | | | |
| 6 | | | |
| 7 | | | |
| 8 | | | |
| 9 | | | |
| 10 | | | |

| Number | Buttonhole model | Bar B | Bar D |
|--------|------------------|-------|-------|
| 11 | | | |
| 12 | | | |
| 13 | | | |
| 14 | | | |
| 15 | | | |
| 16 | | | |
| 17 | | | |
| 18 | | | |
| 19 | | | |
| 20 | | | |
| 21 | | | |

| Number | Buttonhole model | Bar B | Bar D |
|--------|------------------|-------|-------|
| 22 | | | |
| 23 | | | |
| 24 | | | |
| 25 | | | |
| 26 | | | |
| 27 | | | |
| 28 | | | |
| 29 | | | |
| 30 | | | |
| 31 | | | |

11.05.04 Table for recording personal variable programs

| Parameter | Description | Value for Program No.:— | Value for Program No.:— | Value for Program No.:— | Value for Program No.:— |
|-----------|---|----------------------------|----------------------------|----------------------------|----------------------------|
| 301 | Program number | | | | |
| 302 | Cut length (mm) | | | | |
| 303 | Buttonhole model | | | | |
| 304 | Distance of left purl seam from centre of cutting line = distance A (mm) | | | | |
| 305 | Width of left purl seam = width A (mm) | | | | |
| 306 | Length of left purl seam (same length as right purl seam) = length A (mm) | | | | |
| 307 | Number of stitches in left purl seam = number of stitches A | | | | |
| 308 | Secondary thread tension left purl seam | | | | |
| 309 | Width of 1 st bar = width B (mm) | | | | |
| 310 | Second width of 1 st bar = width B1 (mm) | | | | |
| 311 | Length of 1 st bar = length B (mm) | | | | |
| 312 | Second length of 1 st bar = length B1 (mm) | | | | |
| 313 | Number of stitches in 1 st bar = number of stitches B | | | | |
| 314 | Distance of 1 st bar to centre of cutting line = distance B (mm) | | | | |
| 315 | Secondary thread tension of 1 st bar | | | | |

| Parameter | Description | Value for Program No.:— | Value for Program No.:— | Value for Program No.:— | Value for Program No.:— |
|-----------|---|----------------------------|----------------------------|----------------------------|----------------------------|
| 316 | Distance of right purl seam from cutting line (needle penetration left) = distance C (mm) | | | | |
| 317 | Width of right purl seam = width C (mm) | | | | |
| 318 | Length of right purl seam (same length as left purl seam) = length C (mm) | | | | |
| 319 | Number of stitches in right purl seam = number of stitches C | | | | |
| 320 | Secondary thread tension right purl seam | | | | |
| 321 | Width of 2 nd bar = width D (mm) | | | | |
| 322 | Second width of 2 nd bar = width D1 | | | | |
| 323 | Length of 2 nd bar = length D (mm) | | | | |
| 324 | Second length of 2 nd bar = length D1 (mm) | | | | |
| 325 | Number of stitches in second bar = number of stitches D | | | | |
| 326 | Distance of second bar to centre of cutting line = distance D (mm) | | | | |
| 327 | Secondary thread tension of 2 nd bar | | | | |

11.06 Special programs

The programs 40 to 49 are reserved for special programs. With the programming software OSCA the seam contours are freely programmed on a PC in the available sewing area, which depends on the sub-class. The images are then transferred by connecting the PC to the machine.

11.07 PC-programs (optional)

11.07.01 SAM (Sewing Application Manager)

SAM is an easy PC program for saving all machine data and for programming variable programs with the support of graphics. The details of the SAM functions are:

- Administration of all fixed, variable and special programs
- Visualisation of all programs (parameters, shape and stitch position)
- Creation of variable programs with the support of graphics by entering parameters
- Transfer of variable and special programs from and to the machine
- Saving and restoring of all variable programs, special programs, machine data, configuration data of the machine
- Flash programming (software update of the machine)

11.07.02 OSCA (On-/Offline Sewing Creativity Arrangement)

OSCA is a PC-program for programming free seams with the support of graphics. Depending on the sub-class it is possible to program any seam line in the available sewing area. OSCA is also used to create the special programs 40 to 49. These programs can then no longer be altered in the machine. To transfer data to the machine the PC is connected to the machine with a serial cable.

11.07.03 Data transfer between PC (SAM) and PFAFF 3119

For the data transfer the PC and the machine are connected to each other with a serial cable.

- Switch off the machine and the PC
- Connect the serial interface (RS232) and the serial PC-interface (COM 1 – 4) with the cable provided.
- Switch on the PC, if necessary install SAM with the cable provided.
- Start SAM ("Start" – "Programs" – "SAM") and set up the corresponding COM-interface in the menu "settings".
- Switch on the machine.
- Select parameter "203" (PC-connection).
- Press Enter.
- "203 ONLINE" appears on the display and the machine is in slave mode, i.e. all further actions will be triggered by SAM.
- Produce a connection to the machine using the menu "set up machine connection".
- If the connection was successful, all transfer functions (e.g. saving data, sending programs, loading) are available in the corresponding menus.

- SAM can cut off the connection to the machine with the menu "terminate machine connection". The machine leaves its slave mode and changes to function group 200.
- The cable on the machine's serial interface can be removed.
- Conclude the procedure with the **Enter** key, by selecting the **Operational mode Sewing** or with the **Reset** key.




12 Care and maintenance

| | |
|---|-------------------|
| Clean the hook compartment | daily |
| Clean the entire machine | once a week |
| Clean air filter of air filter / lubricator | as required |
| Check the air pressure | daily, before use |
| Check the oil level | daily, before use |



These maintenance intervals are calculated for the average running time of a single shift operation. If the machine is operated for longer periods, shorter maintenance intervals are recommended.

12.01 Cleaning the machine

The cleaning cycle required for the machine depends on following factors:

- Single or several shift operation
- Amount of dust resulting from the workpiece

It is therefore only possible to stipulate the best possible cleaning instructions for each individual case.



For all cleaning work the machine must be disconnected from the mains by switching off the on/off switch or by removing the mains plug, and the knife must be mechanically locked to prevent knife engagement!

Danger of injury if the machine suddenly starts up or if the knife suddenly drops down.



To avoid breakdowns, the following cleaning work is recommended for single shift operation:

- Clean hook compartment and needle area of sewing head several times daily.
- Clean the entire machine at least once a week.

12.02 Cleaning the hook compartment

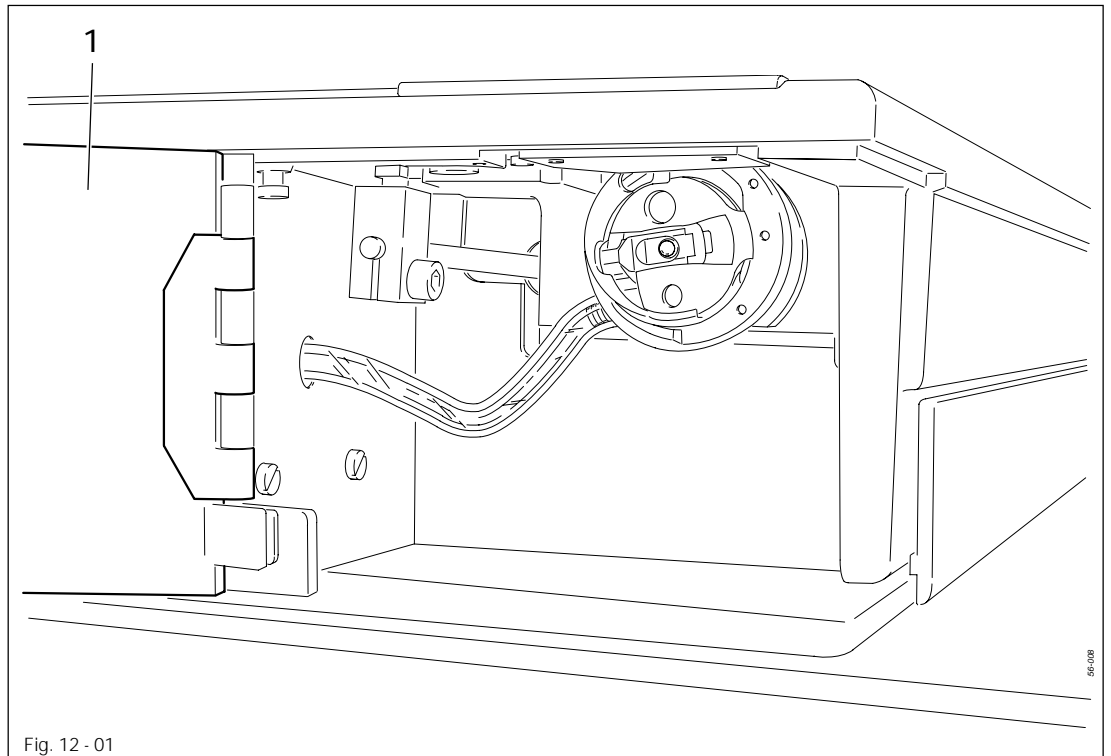


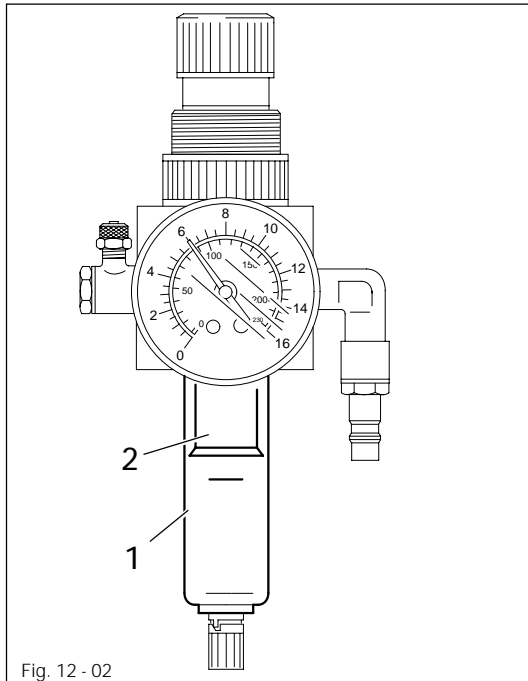
Fig. 12 - 01



Switch off the machine!
Lock knife mechanically to prevent knife engagement!
Danger of injury from the needle and knife!

- Open hook compartment cover 1.
- Clean the hook and hook compartment daily, more often if in continuous use.

12.03 Cleaning the air filter of the air-filter / lubricator



Switch the machine off!
Disconnect the air hose at the
air-filter / lubricator.

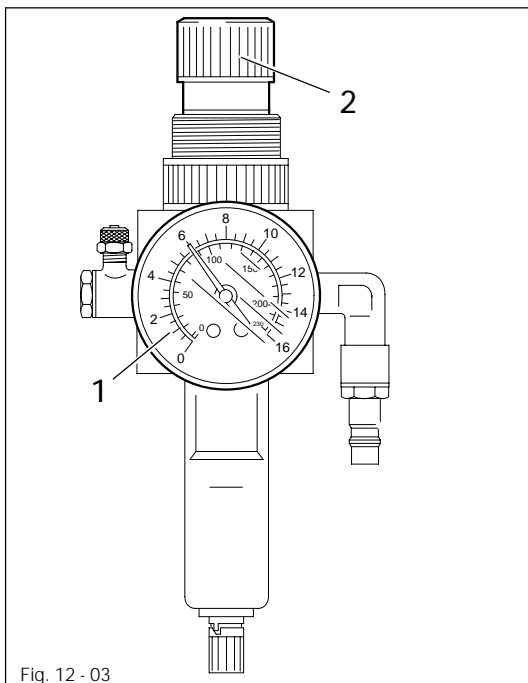
To drain water bowl 1:

- Water bowl 1 drains itself automatically when the compressed-air hose is disconnected from the air-filter / lubricator.

Cleaning filter 2:

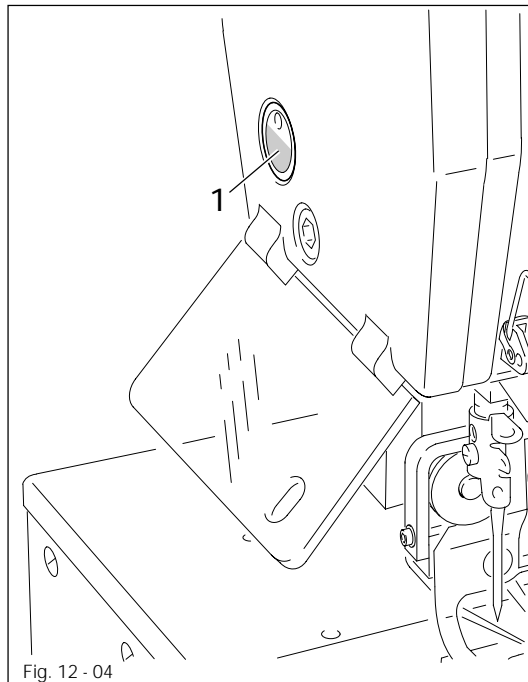
- Unscrew water bowl 1.
- Take out filter 2.
- Clean filter 2 with compressed air or isopropyl alcohol (part No. 95-665 735-91).
- Screw in filter 2 and screw on water bowl 1.

12.04 Checking/adjusting the air pressure



- Before operating the machine, always check the air pressure on gauge 1.
- Gauge 1 must show a pressure of **6 bar**.
- If necessary adjust to this reading.
- To do so, pull knob 2 upwards and turn it so that the gauge shows a pressure of **6 bar**.

12.05 Oil level for needle drive unit

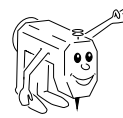


There must always be oil in the storage tank.

- If necessary top up oil through hole 1 in the sight glass.

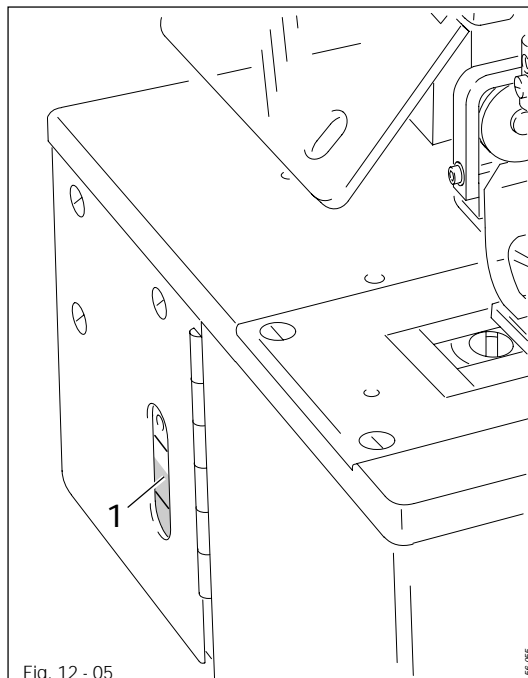


Only use oil with a medium viscosity of 10.00 mm²/s at 40°C and a density of 0.847 g/cm³ at 15°C.



We recommend PFAFF sewing machine oil, part no. 280-1-120 105.

12.06 Oil level for the hook



The oil level in sight glass 1 must always be between the two markings.

- If necessary top up oil through hole 1 in the sight glass.



Only use oil with a medium viscosity of 10.00 mm²/s at 40°C and a density of 0.847 g/cm³ at 15°C.



We recommend PFAFF sewing machine oil, part no. 280-1-120 105.

13 Adjustment



Unless otherwise stipulated, the machine must be disconnected from the mains by switching it off at the on/off switch or by pulling out the mains plug, and the knife must be locked mechanically to prevent knife engagement.

13.01 Notes on adjustment

All following adjustments are based on a fully assembled machine and may only be carried out by expert staff trained for this purpose.

Machine covers, which have to be removed and replaced to carry out checks and adjustments, are not mentioned in the text.

The order of the following chapters corresponds to the most logical work sequence for machines which have to be completely adjusted. If only specific individual work steps are carried out, both the preceding and following chapters must be observed.

Screws, nuts indicated in brackets () are fastenings for machine parts, which must be loosened before adjustment and tightened again afterwards.

13.02 Tools, gauges and other accessories

- 1 set of screwdrivers with blade widths from 2 to 10 mm
- 1 set of wrenches with jaw widths from 7 to 14 mm
- 1 set of Allan keys from 1.5 to 6 mm
- 1 offset screwdriver, Part no. 91-029 339-91
- 1 metal ruler, Part no. 08-880 218-00
- 1 screw clamp, Part no. 61-111 600-35/001
- 1 needle rise gauge 2.4 mm, Part No. 61-111 600-01
- 1 adjustment gauge, Part no. 61-111 635-86
- 1 adjustment gauge for lower knife stop, Part no. 61-111 635-85
- 1 adjustment gauge for upper knife stop, Part no. 61-111 635-93
- 1 adjustment pin, Part no. 61-111 641-46
- Needles (system 438), sewing thread and test materials

13.03 Abbreviations

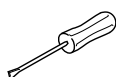
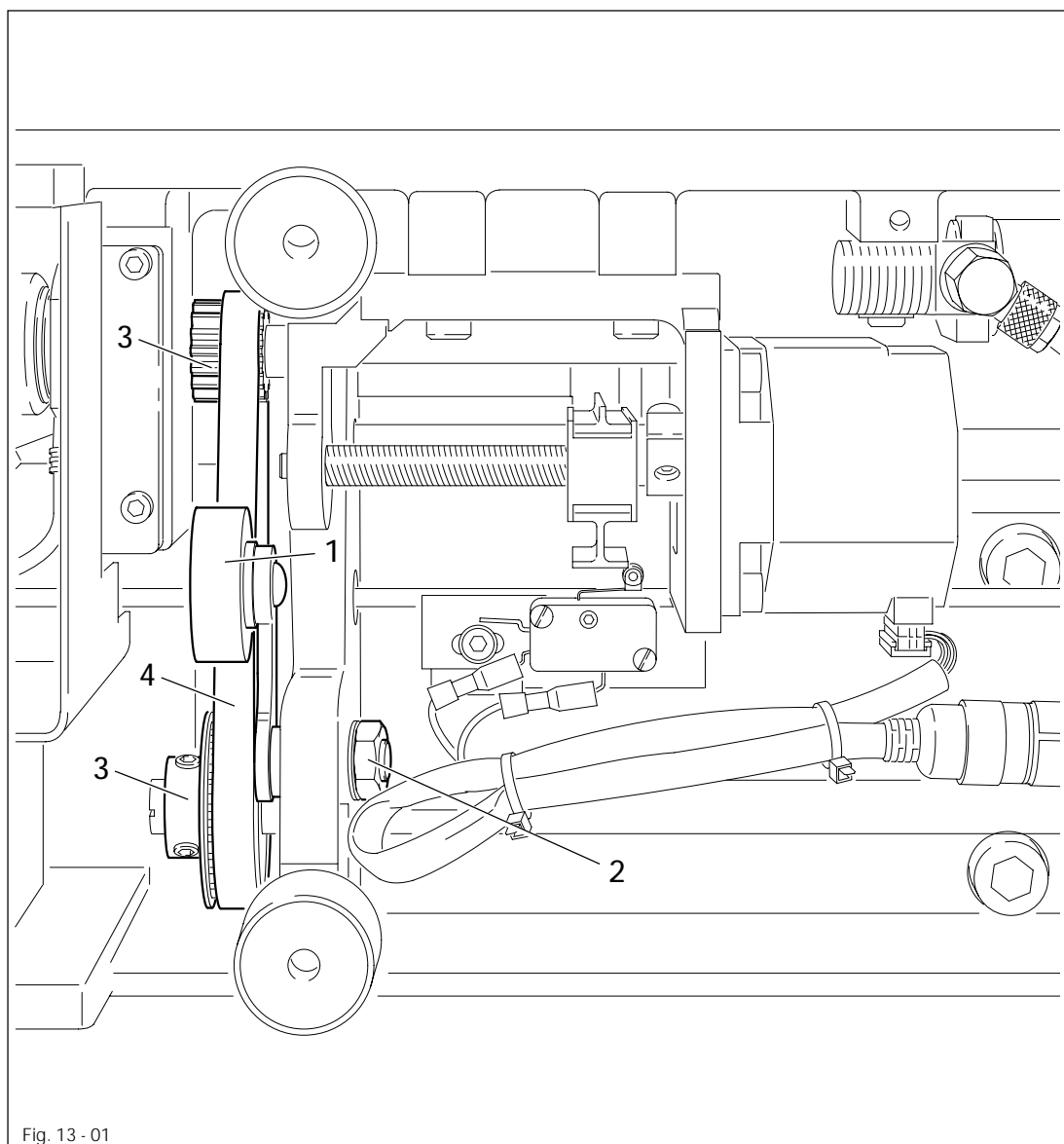
t.d.c. = top dead centre

b.c.c. = bottom dead centre

13.04 Toothed belts of the hook drive unit

Requirement

There should be a hardly noticeable amount of play between the toothed belt wheels 3 and the toothed belt 4.



- Loosen the machine's screw connection to the table.
- Tilt the machine backwards and dismount the pan.
- Adjust tensioner 1 (nut 2) according to the requirement.

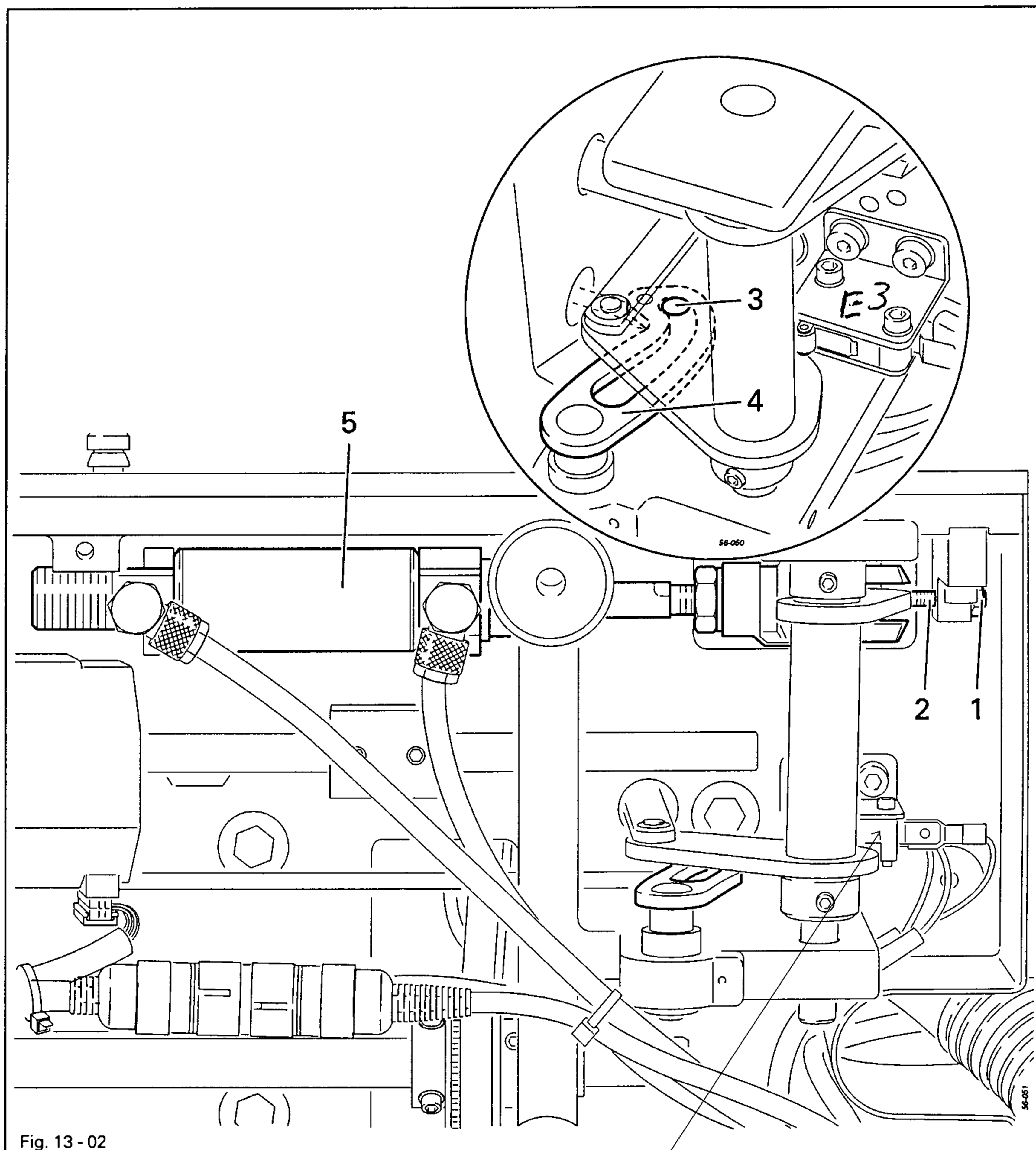


If there are operational noises, repeat the adjustment.

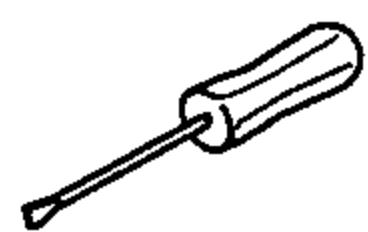
13.05 Drive rods of the bobbin thread trimming device

Requirement

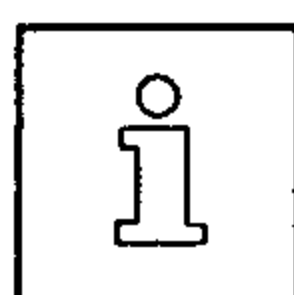
When cylinder 5 is fully extended, roller 3 should be positioned at a small distance (approx. **0.1 mm**) from the curve bottom of slotted lever 4.



E 3 switch for clamp down



- Loosen nut 1.
- Loosen screw 2 until roller 3 can be pushed into the curve bottom of slotted lever 4 by hand.
- Well tighten screw 2.
- To set the distance of roller 3 according to the requirement, turn screw 2 another 1/2 turn and fix it with nut 1.



When the cylinder is extended, there should be a distance of 204.5 mm between the centre of the yoke head bore hole and the bore hole for the cylinder suspension.

13.06

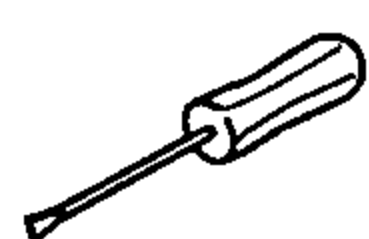
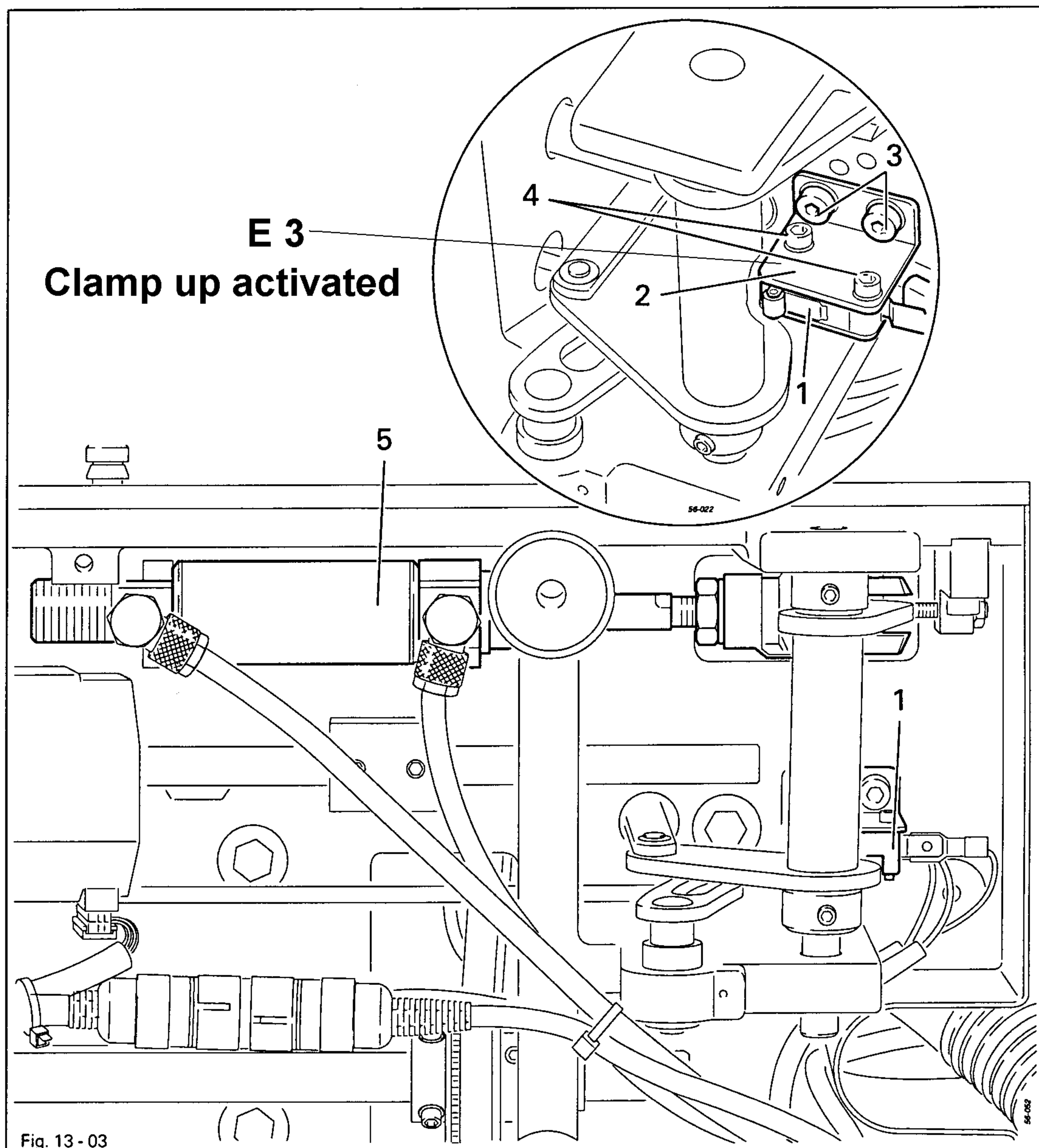
Switch for sewing start

E 3

clamp moves to the down position, releasing switch E 3 for sewing start signal.

Requirement

When cylinder 5 is fully extended, switch 1 should be operated.

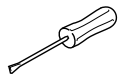
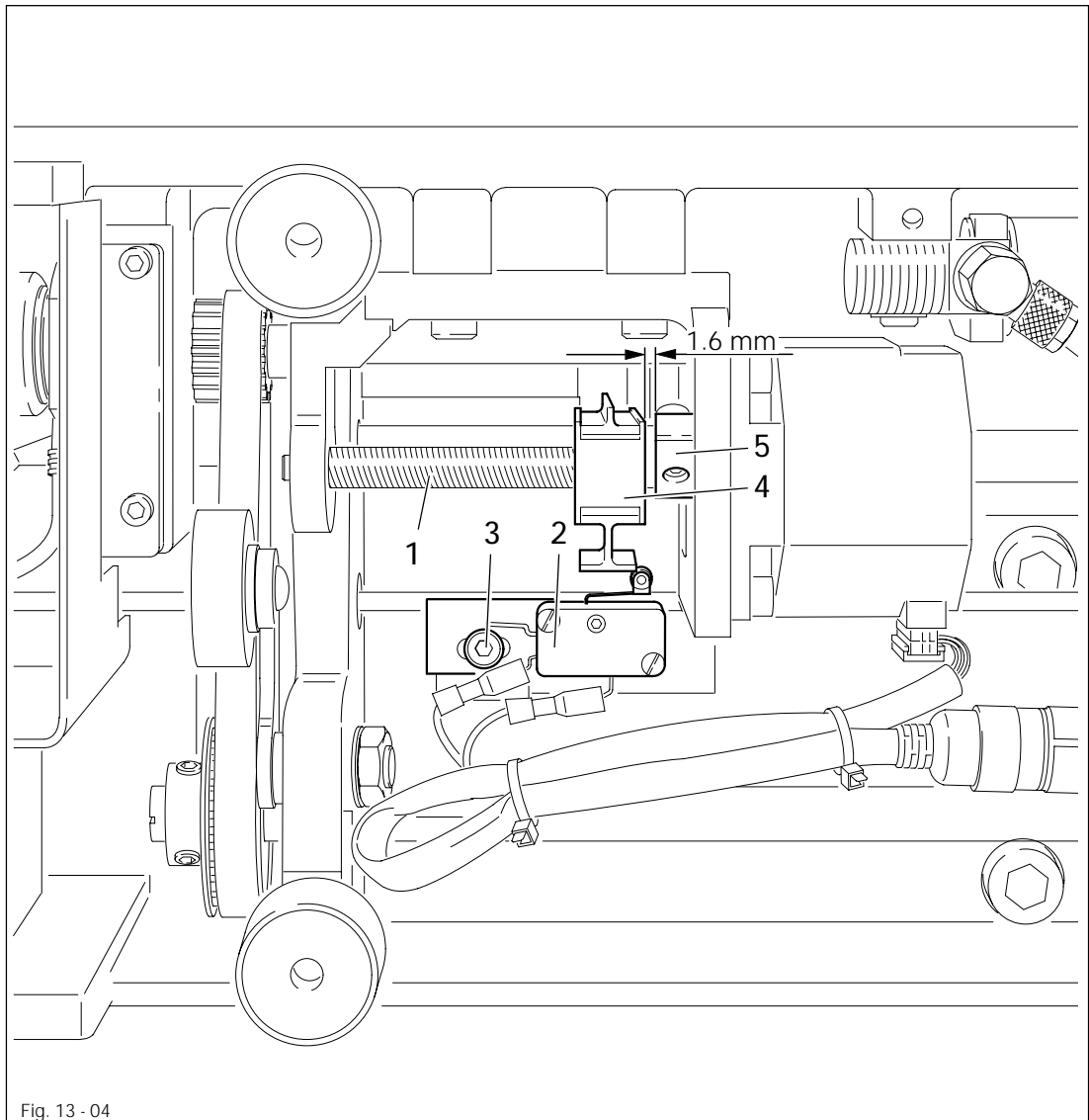


- Adjust switch 1 or bracket 2 (screws 3 or 4) according to the requirement.

13.07 Basic position of the feed drive unit

Requirement

Switch 2 should operate when slide block 4 is 1.6 mm away from clamp 5.



- Set the distance of 1.6 mm by turning spindle 1.
- Adjust switch 2 (screw 3) according to the requirement.

13.08 Preliminary adjustment of the work clamp

Requirement

When the feed unit is in its basic position

1. The drive lever 1 should be flush with marking 8 on shaft 5,
2. The front edge of drive lever 1 should be flush with guide pin 4 and
3. Eccentric 6 should touch drive lever 1 without play.

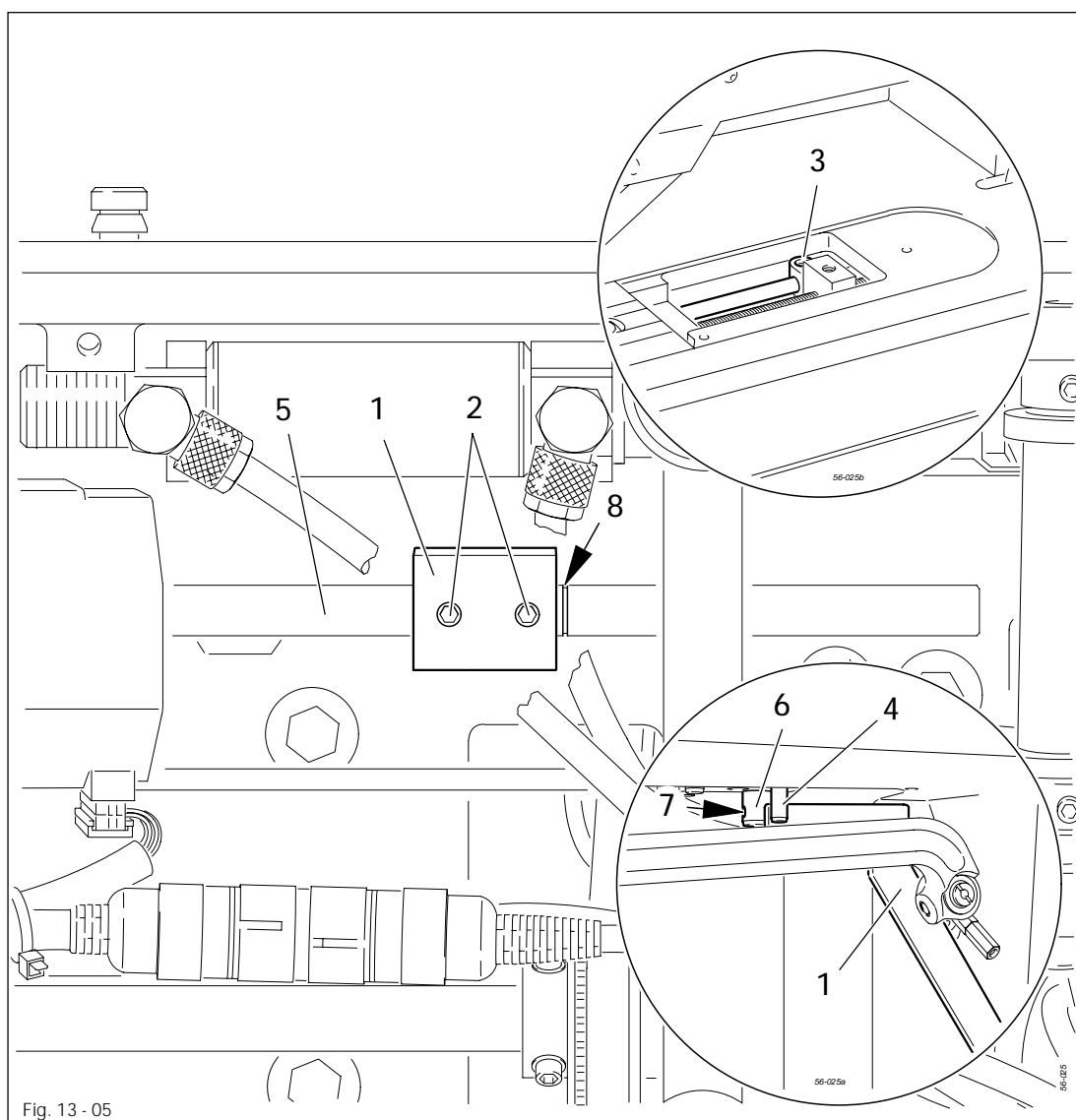
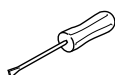


Fig. 13 - 05

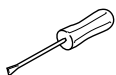
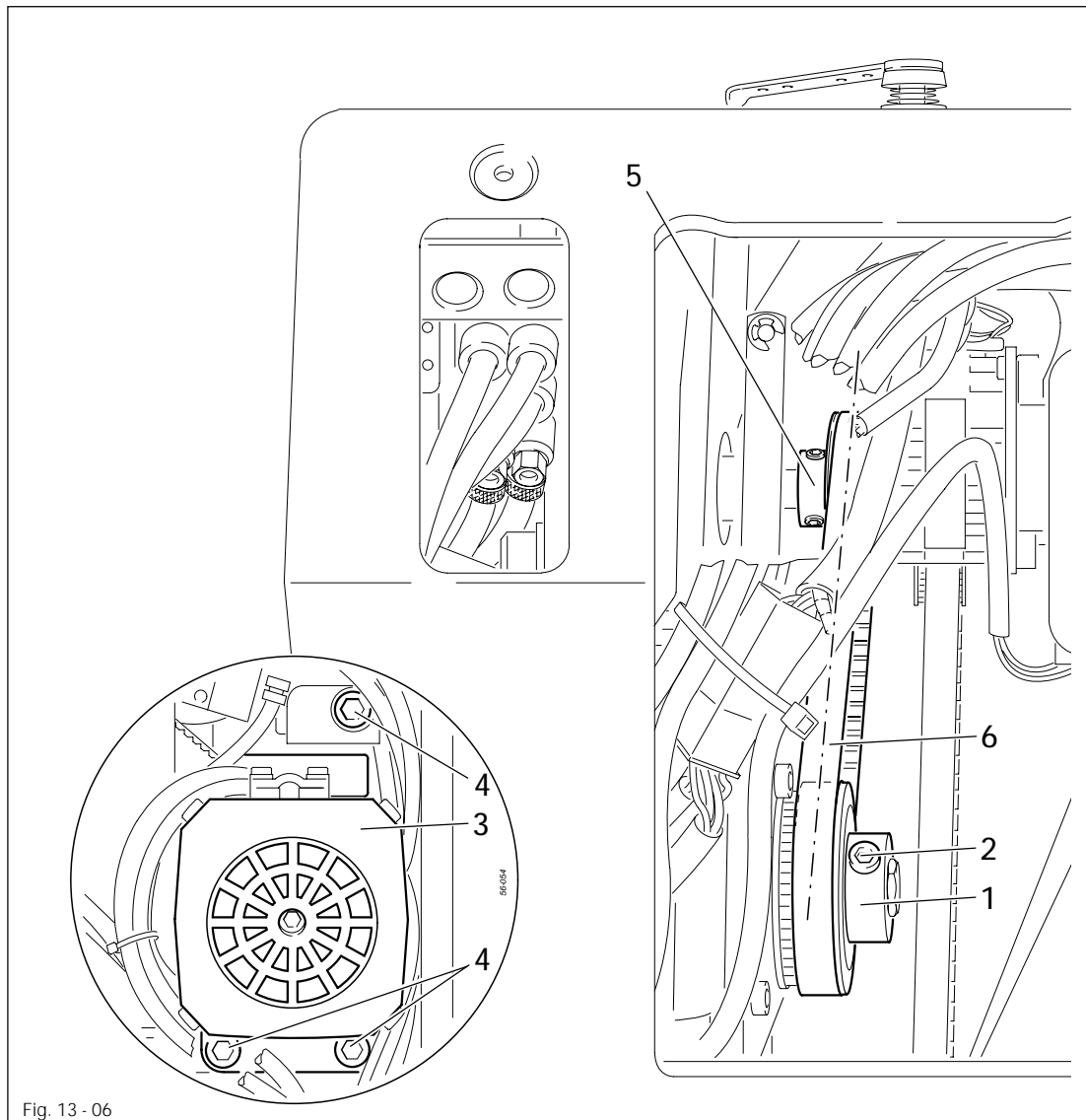


- Adjust drive lever 1 (screws 2) according to requirement 1.
- Loosen screw 3.
- Bring drive lever 1 to stop on guide pin 4 and adjust shaft 5 according to requirement 2.
- Turn eccentric 6 (screw 7) according to requirement 3.
- Tighten screw 3.

13.09 Toothed belts of the main drive unit

Requirement

1. Toothed belt wheels 1 and 5 should be in alignment.
2. There should be a hardly noticeable amount of play between the toothed belt wheels 1 and 5 and the toothed belt 6.



- Adjust toothed belt wheel 1 (screws 2) according to requirement 1.
- Swing motor 3 (screws 4) according to requirement 2.



If there are operational noises, repeat the adjustments.

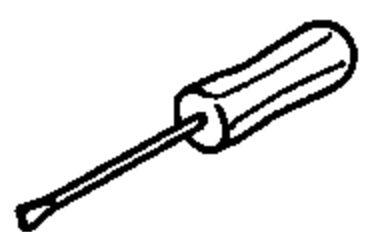
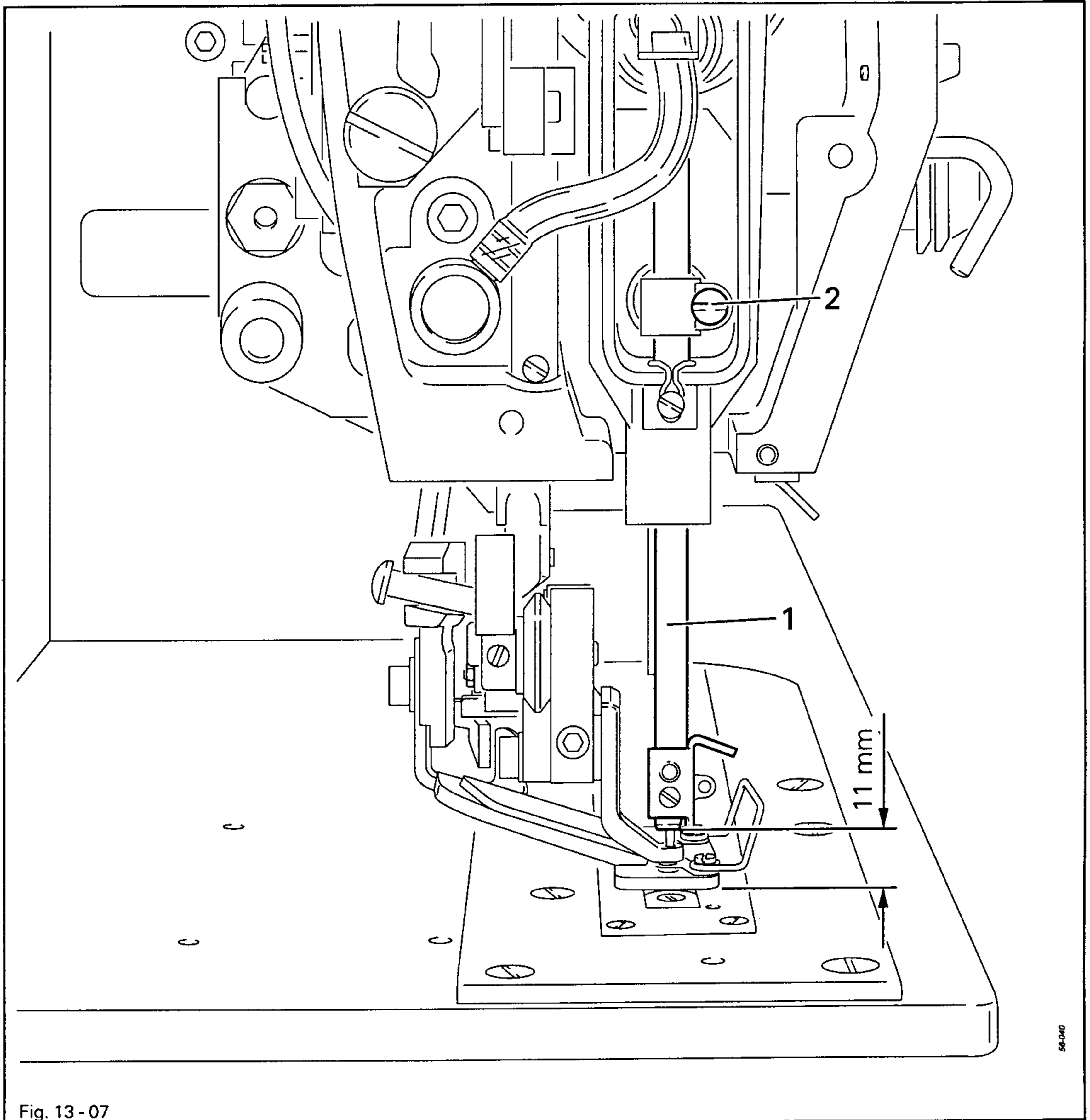
13.10

Preliminary adjustment of the needle height

For final setting of needle bar height, go to (13.14)

Requirement

When the needle bar is at b.d.c. there should be a distance of 11 mm between the lower edge of the needle bar 1 and the needle plate.



- Adjust needle bar 1 (screw 2) according to the requirement.

13.11 Position of the needle plate in relation to the needle

Requirement

Needle plate base 3 should rest on the edge of the bed-plate cutout (see arrows). Seen in the direction of sewing the needle should enter the needle hole in the centre.

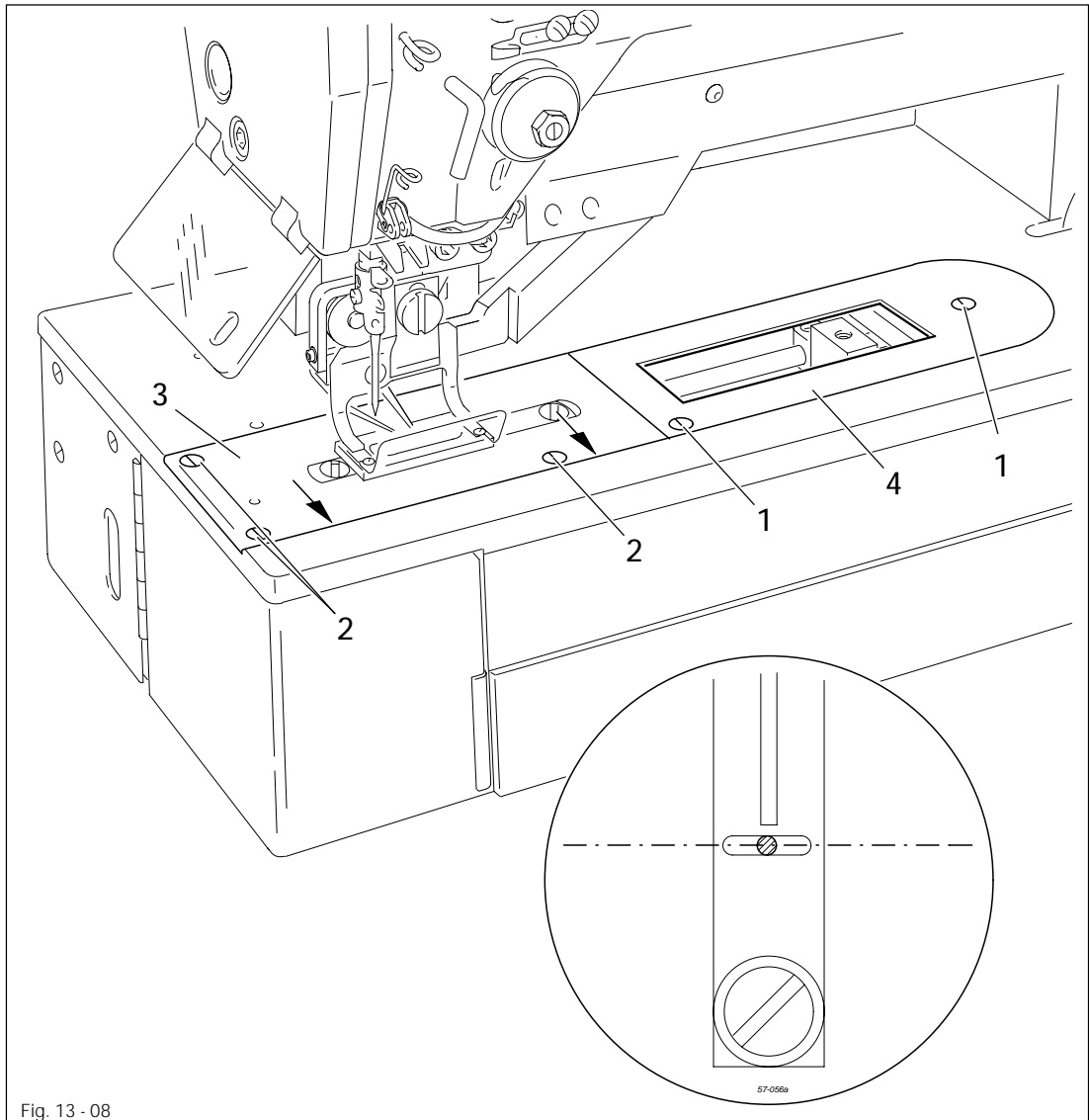
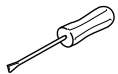


Fig. 13 - 08

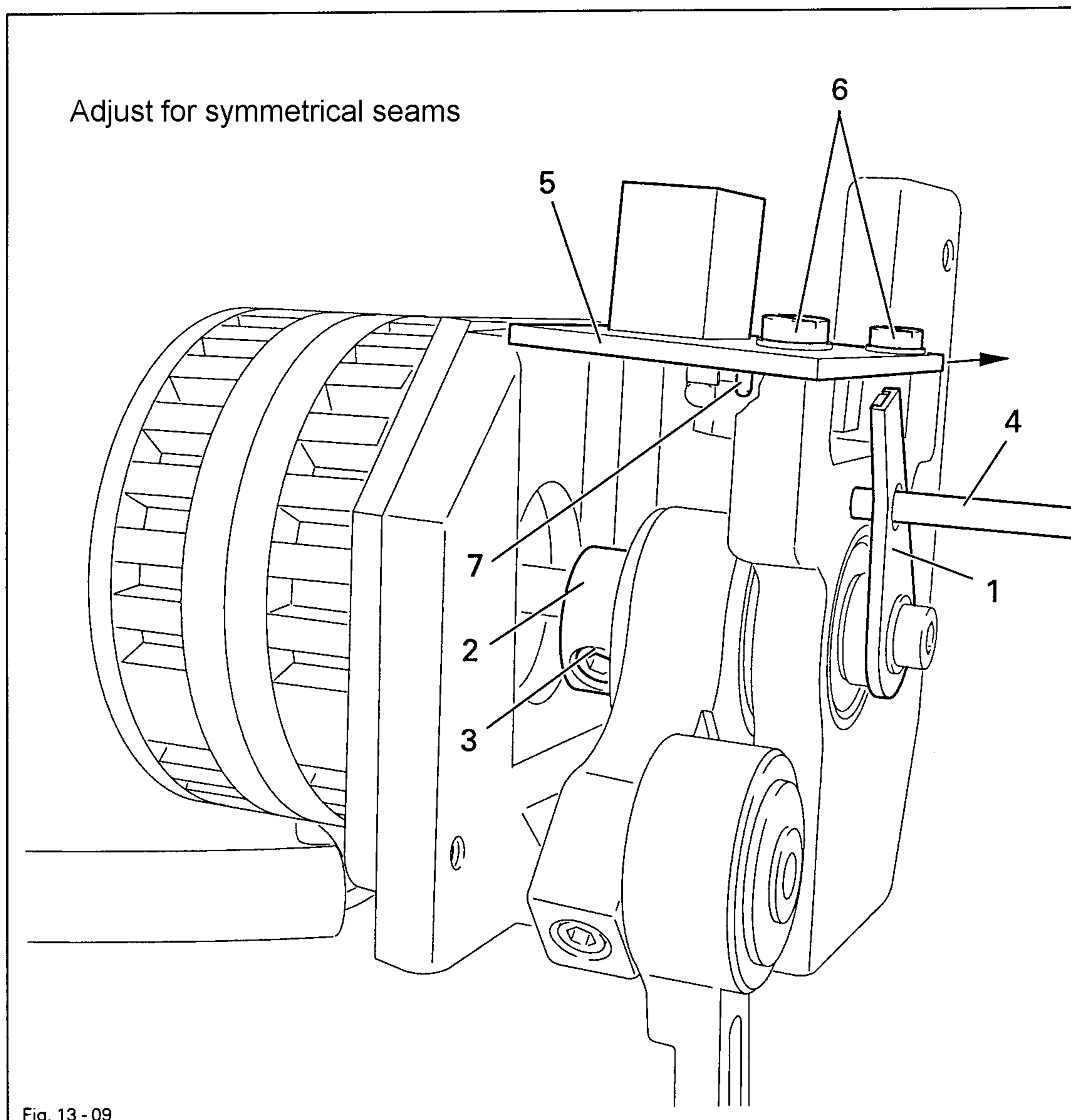


- Dismount feeder and insert a new needle.
- Loosen screws 1 and 2.
- Adjust needle plate base 3 according to the requirements.
- Tighten screws 2.
- Bring stop plate 4 into contact with needle plate base 3 and tighten screws 1.

13.12 Sensor board of the needle drive (in dismantled state)

Requirement

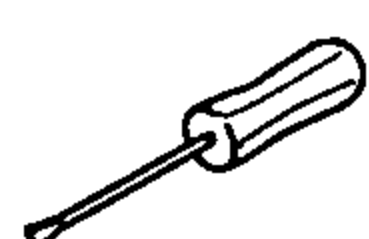
After the machine has been switched on, the drill hole in lug 1 must match the marked hole on the support stand.



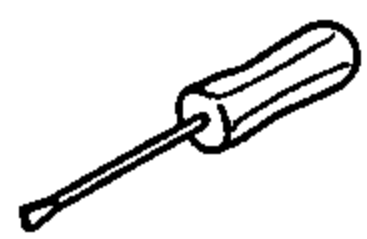
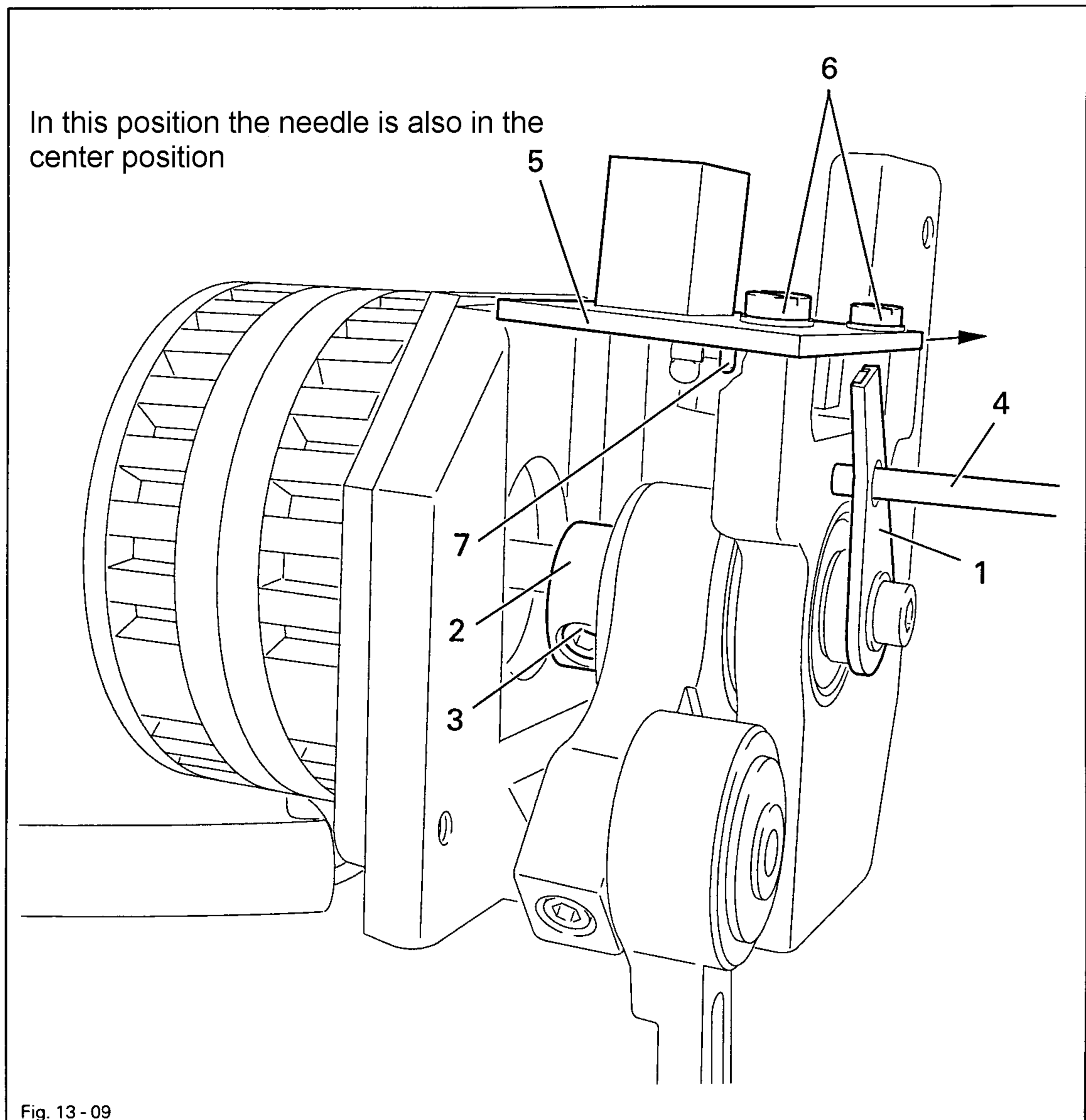
To replace the sensor board, it is imperative to pay attention to the following work steps!



Electric voltage!
Danger of an electric shock if handled incorrectly!



- Completely remove the needle drive unit (plugs remain connected).
- Check whether lug 1 is opposite the marking on eccentric 2.
- Loosen screws 3.
- With adjustment pin 4 (Order no. 61-111 641-46) insert lug 1 in the marked hole of the



- support stand.
- Switch on the machine and wait until the stepping motor stands still. (Ignore error message "Error 10").
 - Move the sensor board 5 (screws 6) in the direction of the arrow, until LED 7 lights up and push it back again until LED 7 has just extinguished.
 - Switch off the machine.
 - Tighten screws 3 and switch off the machine.
 - Remove adjustment pin 4.
 - Switch on the machine and check the needle drive unit according to the requirement.
 - Switch off the machine.
 - Install the needle drive unit and adjust it as described in Chapter 13.13 Basic setting of the needle drive unit.

13.13 Basic setting of the needle drive unit

Requirement

When the needle point enters fabric and lug 1 is blocked, the needle should be in the centre of the needle hole as seen crosswise to the direction of sewing.

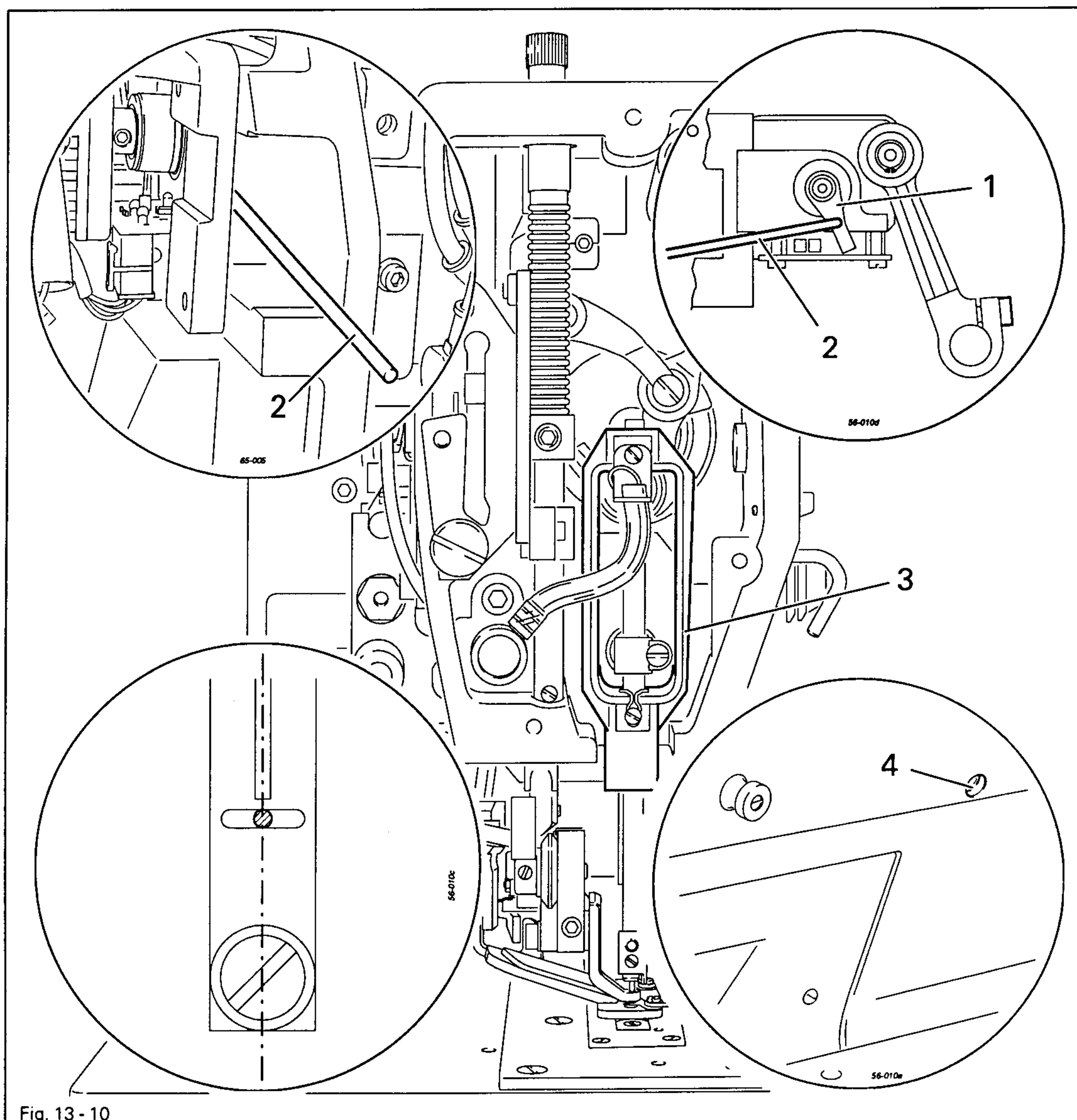
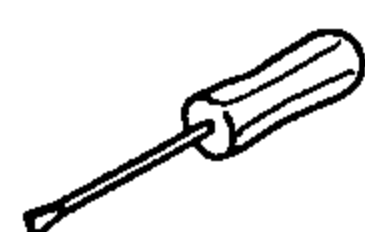


Fig. 13 - 10



- Bring the needle bar to b.d.c.
- Block lug 1 (adjustment pin 2, part no. 61-111 641-46).
- Adjust the needle bar 3 (screw 4) according to the requirement.
- Remove adjustment pin 2.

See note in back of manual

13.14 Basic position of the work clamp (lengthwise to the arm)

Requirement

When the clamp 1 is in its basic position, it should be a **5 mm** away from the centre of the needle hole.

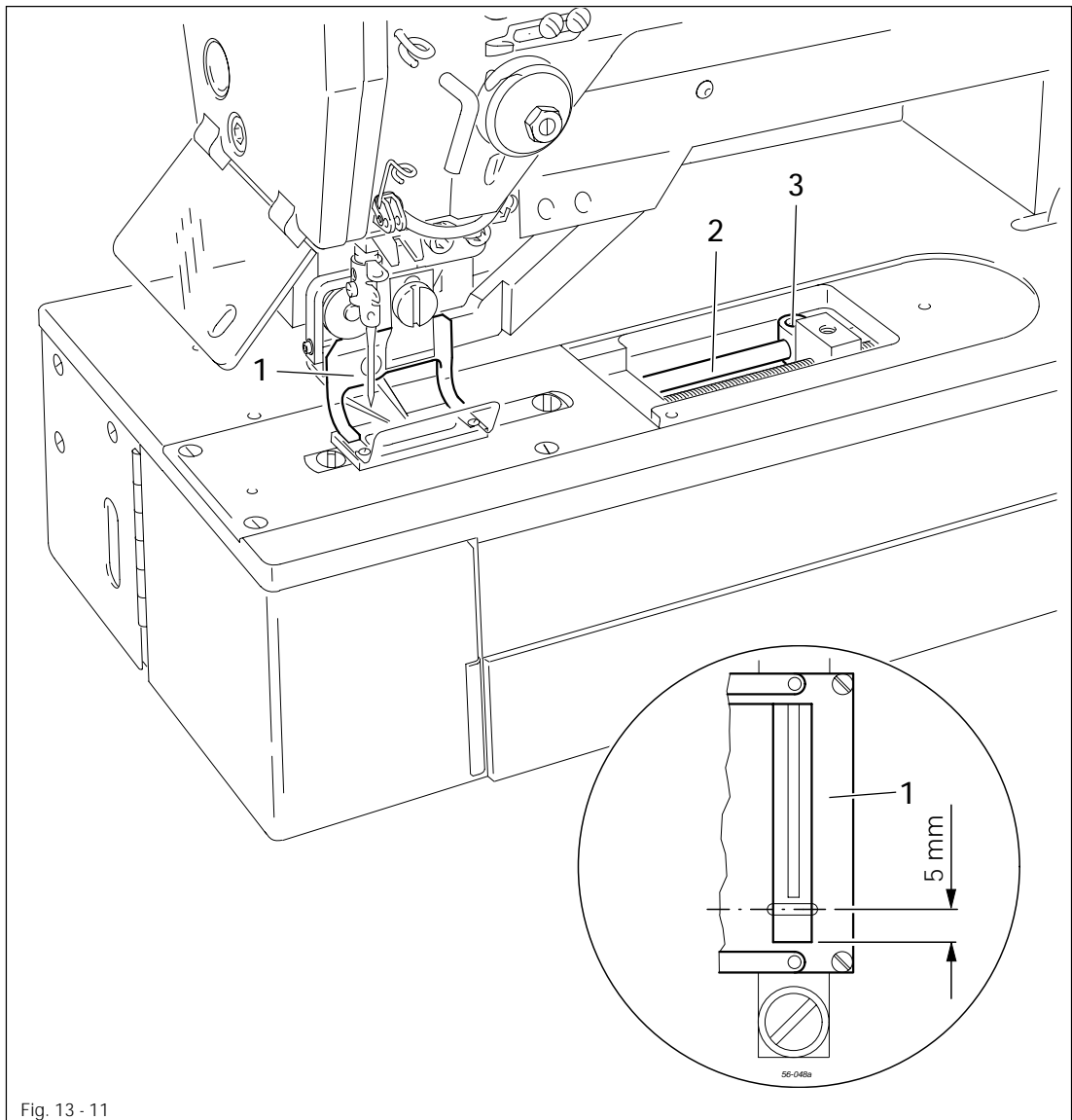


Fig. 13 - 11

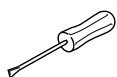
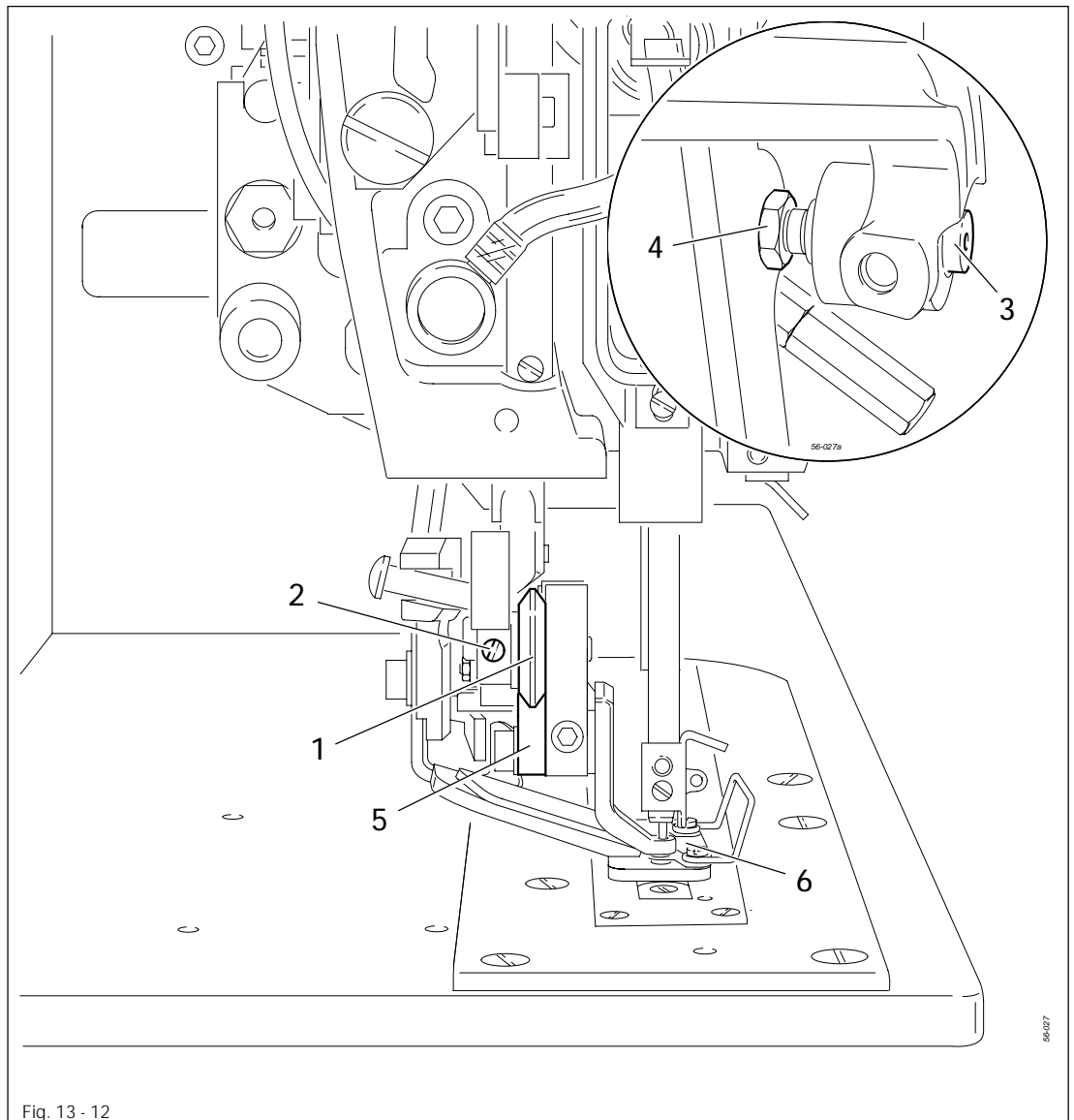


- Connect the compressed air system and switch on the machine.
- Lower the work clamp 1 (control panel).
- Adjust bar 2 (screw 3) according to the requirement.
- Switch off the machine and disconnect the compressed air.

13.15 Basic position of the work clamp (crosswise to the arm)

Requirement

1. When the pressure roller 1 is in guide unit 5, the cut-out of work clamp 6 should be in the centre of the needle hole.
2. When the work clamp 6 is in motion, it should always be parallel to the needle plate insert.

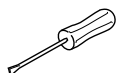
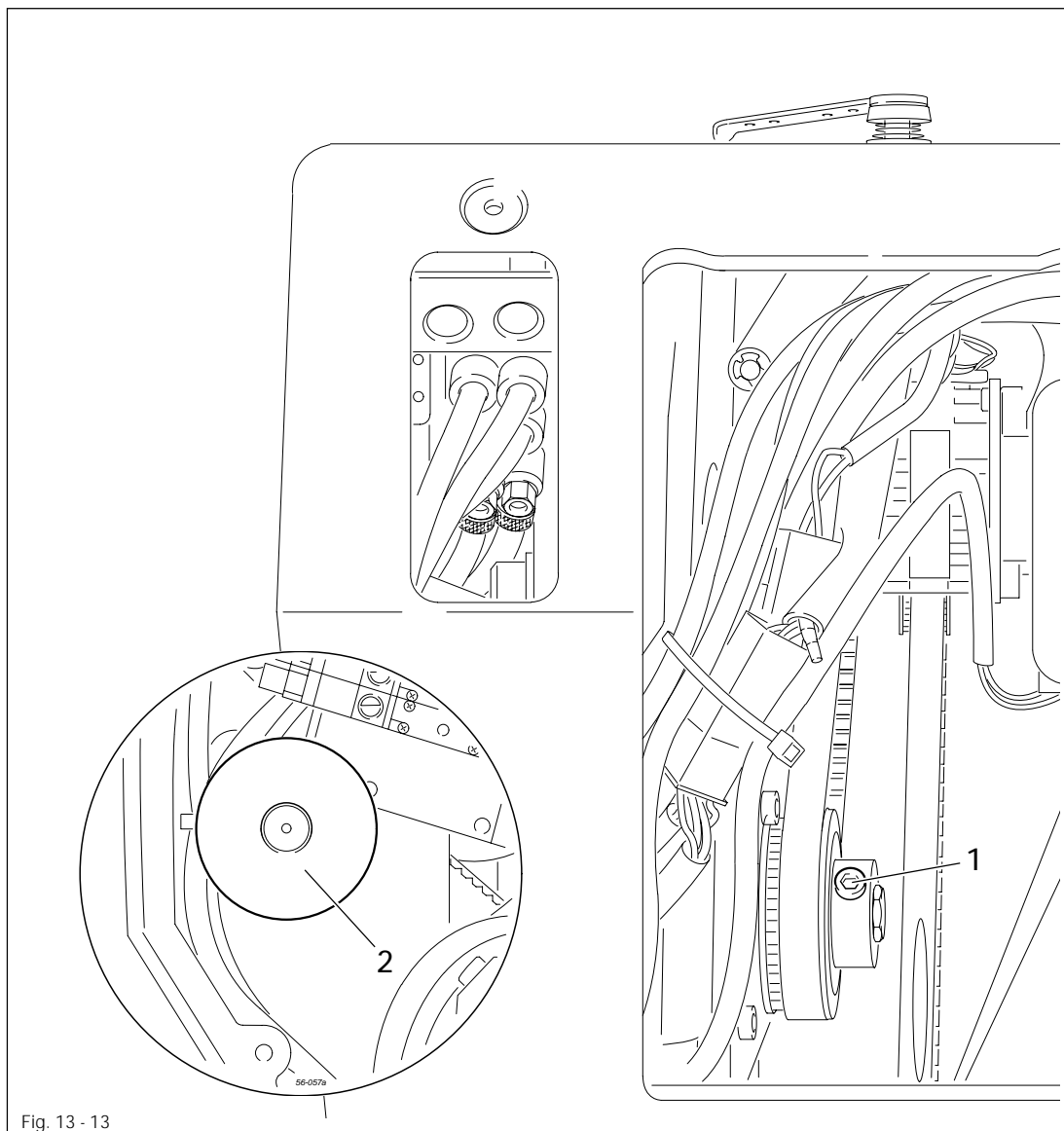


- Reduce the sewing pressure completely, see Chapter 9.08 Adjusting the work clamp pressure.
- Adjust pressure roller 1 (screw 2) according to requirement 1.
- Adjust bolt 3 (nut 4) according to requirement 2.

13.16 Upper take-up lever position (reference position)

Requirement

The take-up lever should position 1.8 – 2.0 mm before its t.d.c. and one of the screws 1 should be accessible.



- Remove the needle and switch on the machine.
- Select parameter "609".

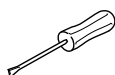
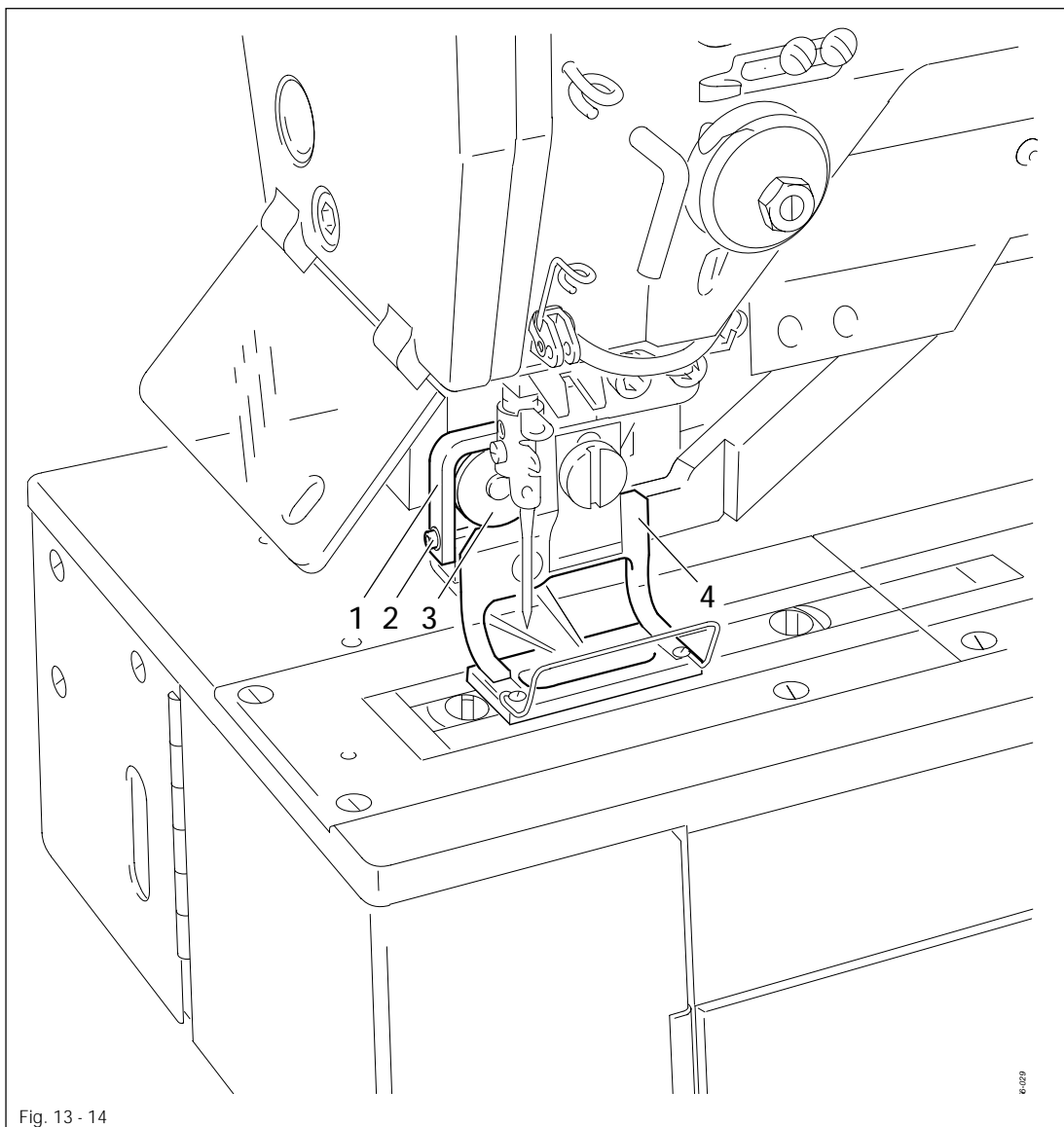


- Press **Enter**, the motor turns to the reference point.
- Loosen screw 1 and, by turning the balance wheel 2, bring the take-up lever into position according to the **requirement**.
- Tighten screws 1.
- Switch off the machine.

13.17 Lifting elbow on the work clamp

Requirement

1. The lifting elbow 1 should be parallel to pressure roller 3.
2. When work clamp 4 is lifted, there should be a slight amount of play between pressure roller 3 and lifting elbow 1.



- Switch on the machine.



- Lower the work clamp.
- Adjust the lifting elbow 1 (screw 2) according to the requirements.
- Switch off the machine.

13.18 Work clamp stroke

Requirement

When the lifting cylinder is completely extended, there should be a space of **15 mm** between lifting piece 4 and clamp 1.

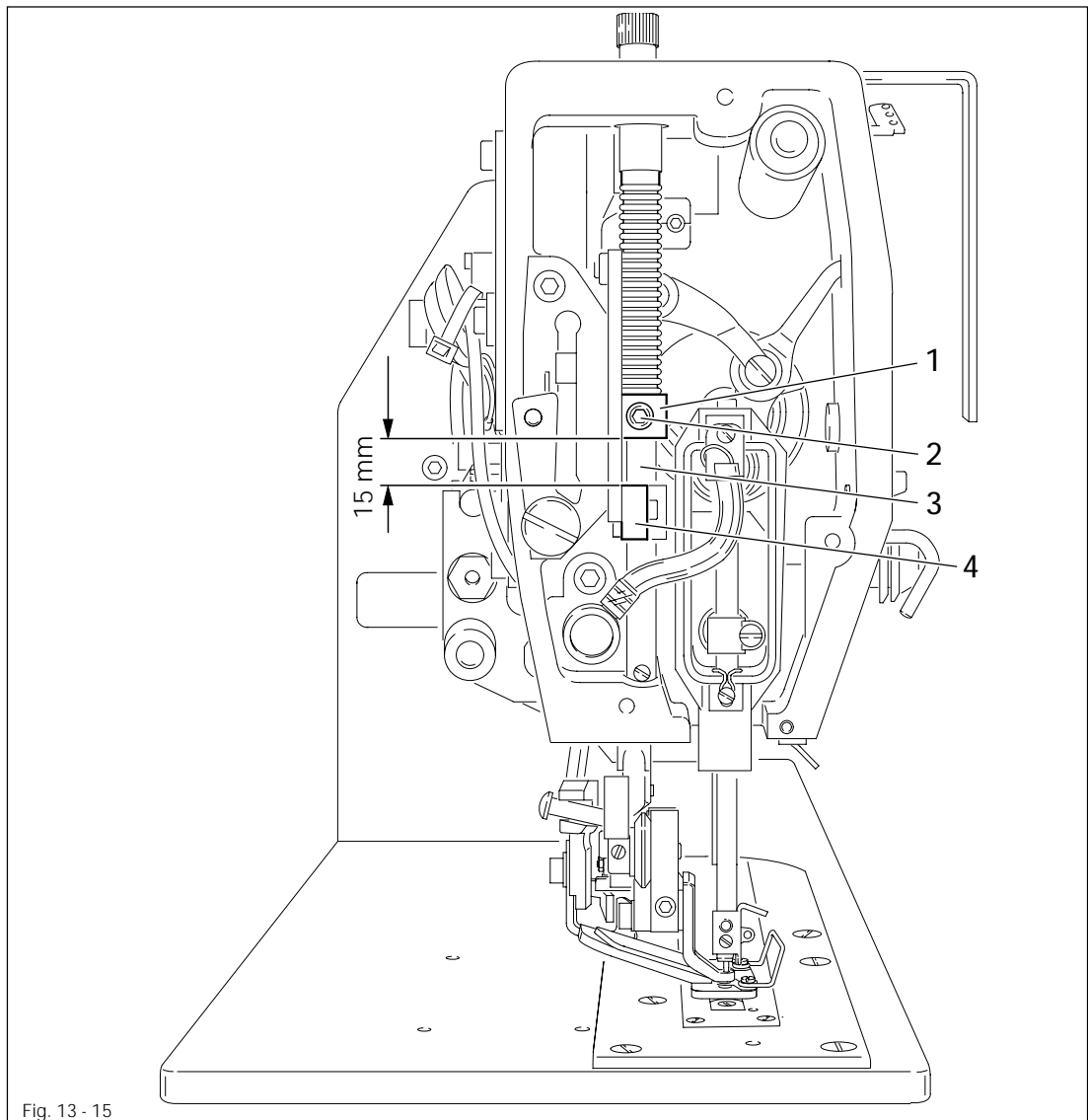
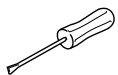


Fig. 13 - 15



- Reduce the work clamp pressure completely, see Chapter 9.08 Adjusting the work clamp pressure.
- Adjust clamp 1 (screw 2) according to the requirement.



Take care not to twist bar 3 during the adjustment!

13.19 Lifting cylinder of the work clamp

Requirement

The lifting and dropping motion of the work clamp should be carried out as quickly as possible.

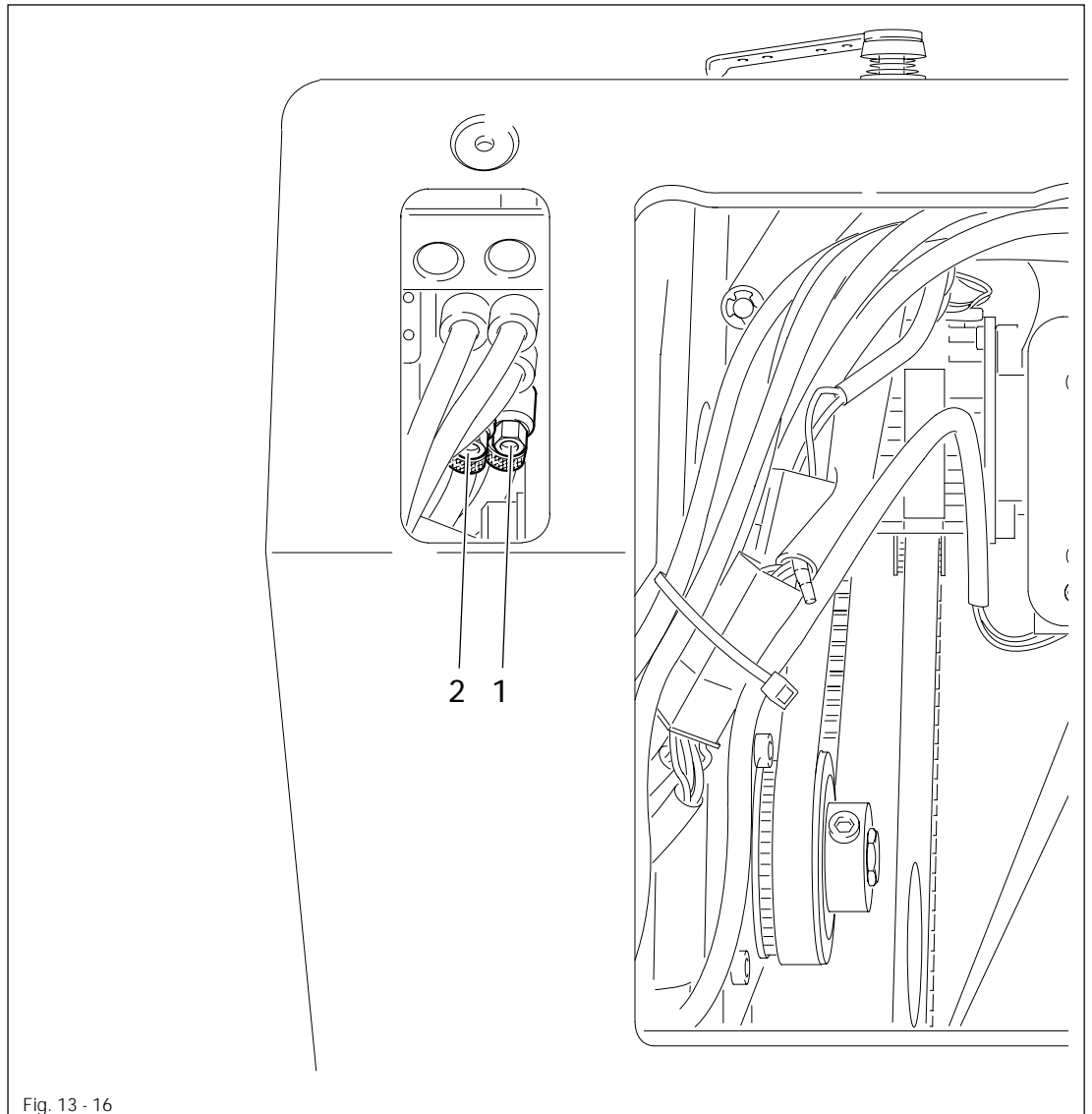
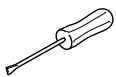


Fig. 13 - 16



- Adjust the throttles 1 (dropping motion) and 2 (lifting motion) according to the requirement.

13.20 Cutting pressure of the knife unit (in dismantled state)

Requirement

1. In its basic position (retracted), the knife cylinder 1 should have a length of **98.5 mm**.
2. The knife 5 should cut perfectly, but the pressure on knife 5 should be as low as possible.

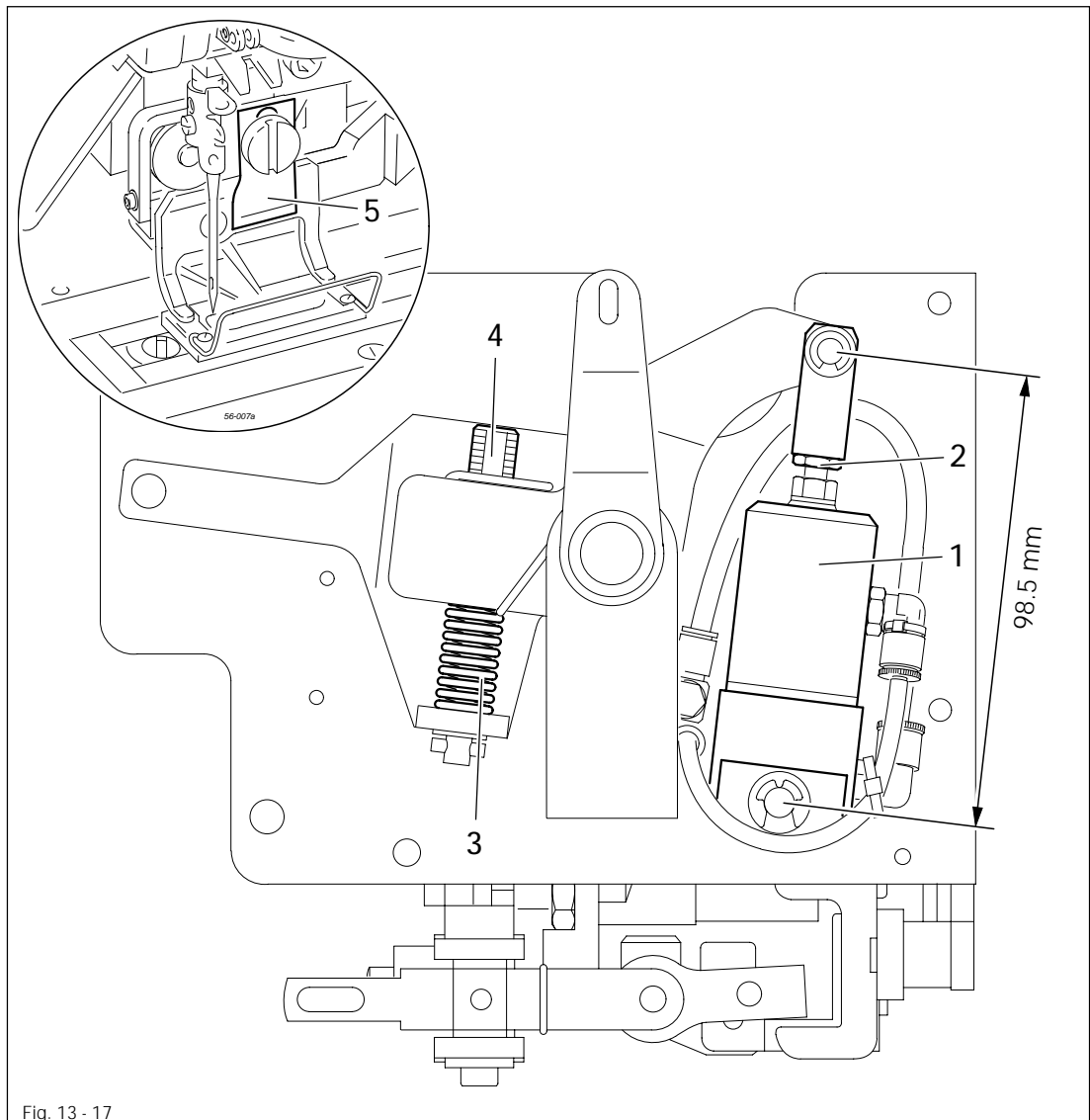
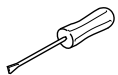


Fig. 13 - 17



- Adjust knife cylinder 1 (nut 2) according to **requirement 1**.
- To begin with, by turning screw 4 completely compress spring assembly 3, and then wind screw 4 back by three turns (**requirement 2**).

13.21

Position of the knife bracket and lower knife stop

Requirement

1. Knife bracket 5 should be adjusted so that adjustment gauge 2 is **parallel to and**
2. **in the centre of** the knife slot in the needle plate insert.
3. When the knife cylinder is extended, screw 4 should be accessible through the hole in the machine case and adjustment gauge 2 should be touching the needle plate insert.

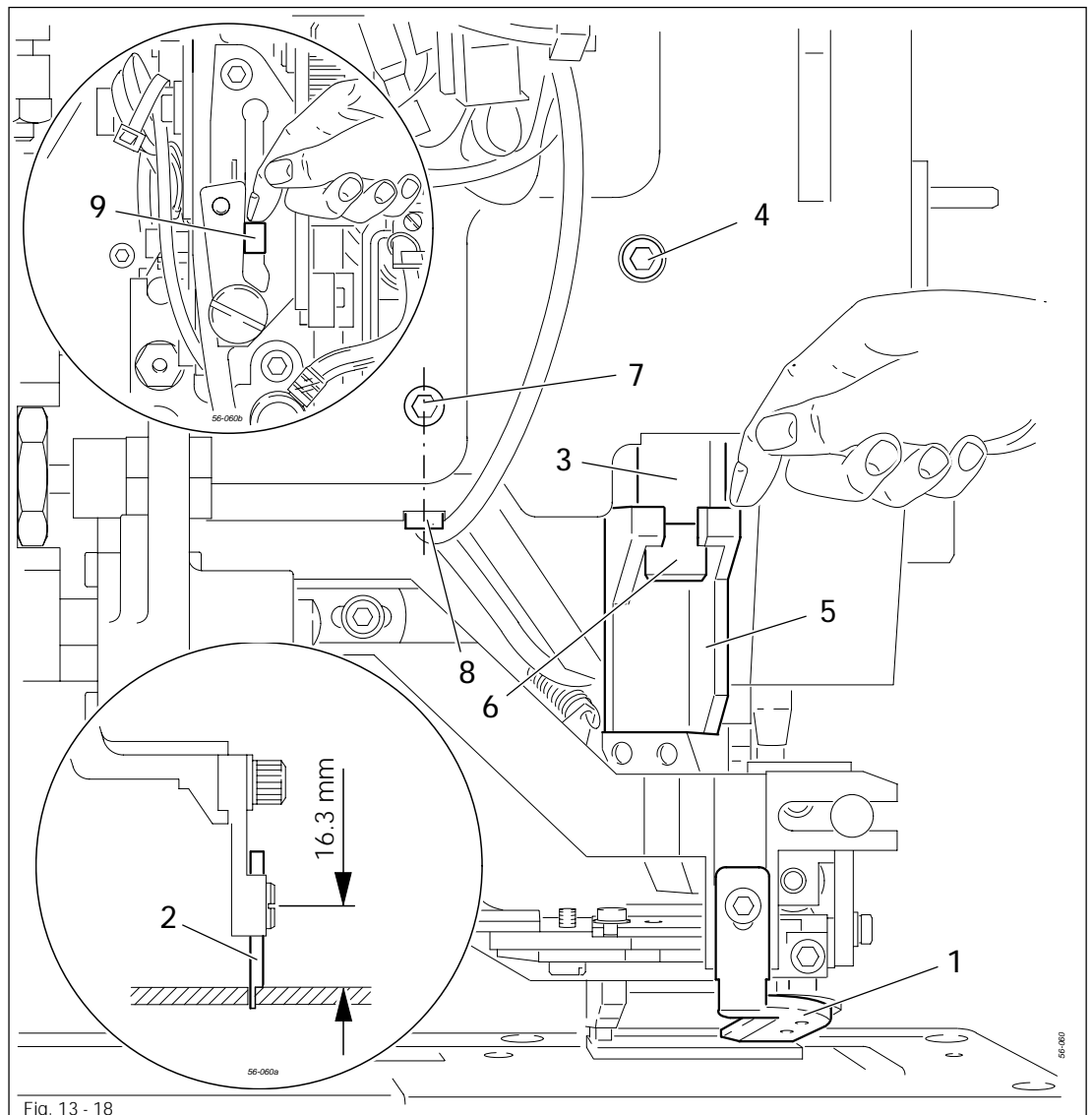
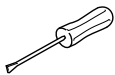
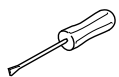
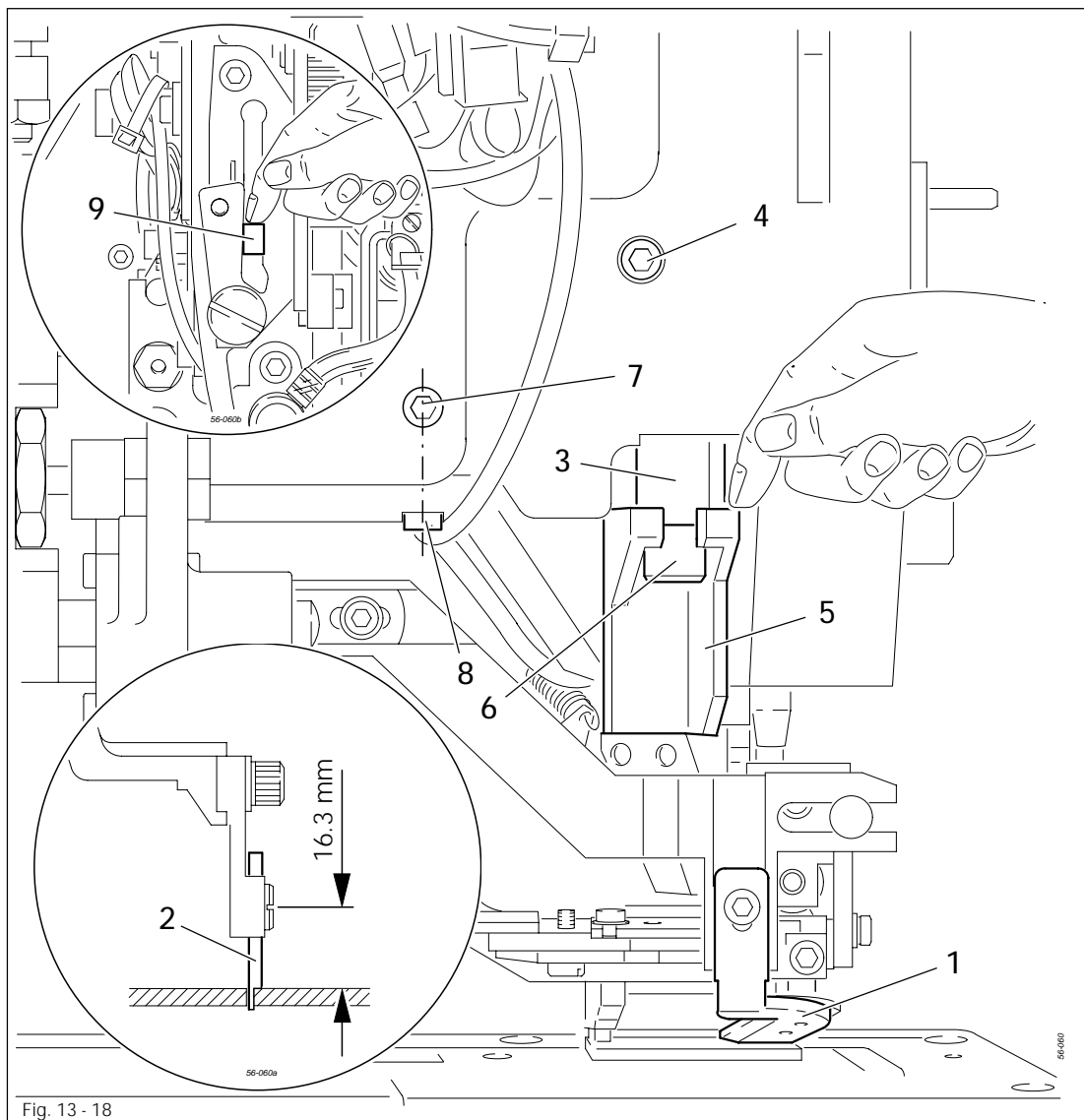


Fig. 13 - 18



- Bring the machine into its basic position and disengage needle thread cutter 1.
- Fit adjustment gauge 2 (Part no. 61-111 635-85).
- Twist knife bar 3 (screw 4) according to **requirement 1**.
- Adjust knife bracket 5 (screw 6) according to **requirement 2**.
- Loosen screw 7 and turn stop screw 8 back a few turns.
- Push down guide unit 9 by hand, until screw 4 becomes accessible through the hole in the machine case, and adjust knife bar 3 (screw 4) according to **requirement 3**.

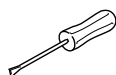
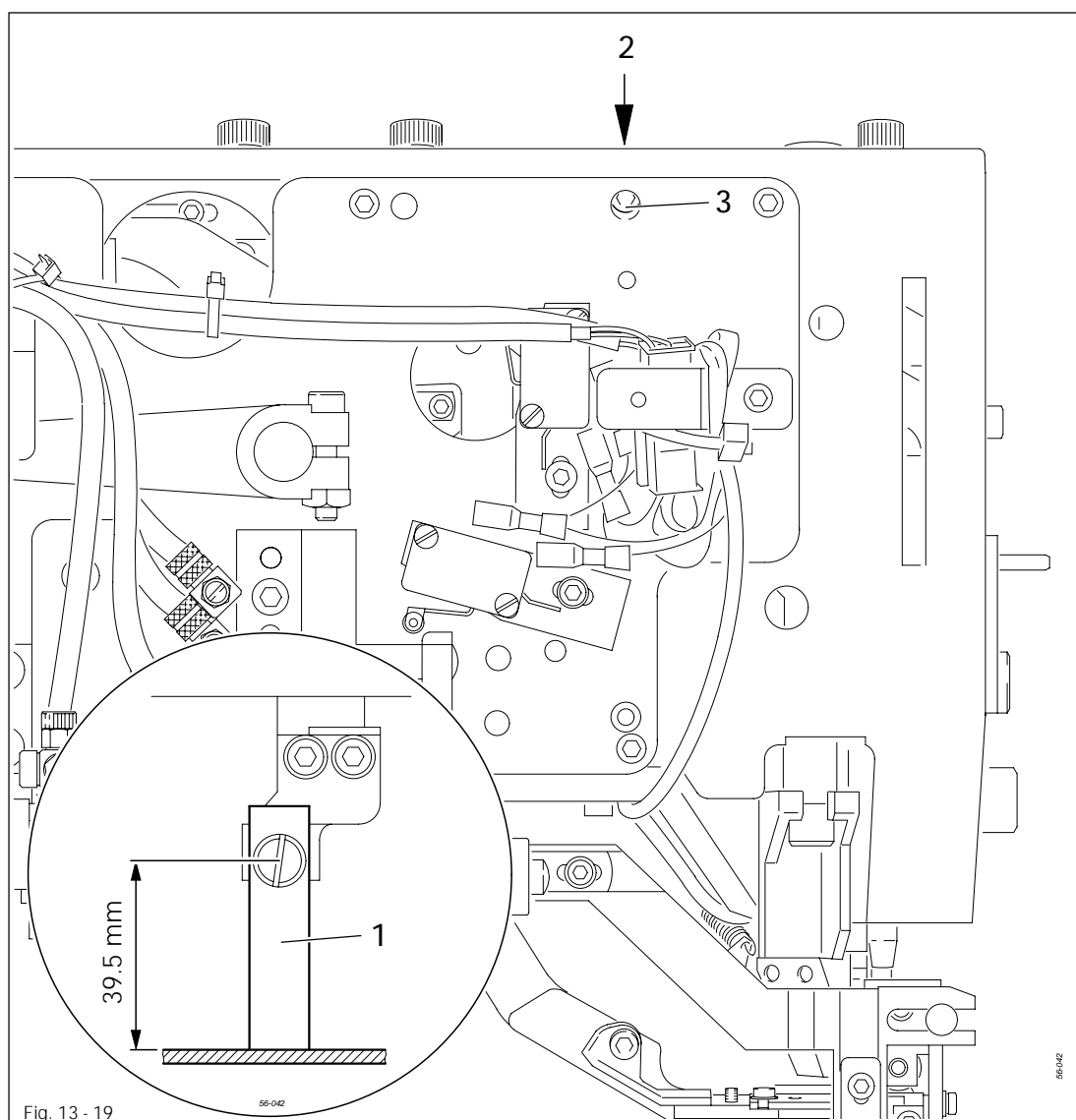


- Push down knife bar 3 by hand (the adjustment gauge 2 must be touching the needle plate insert) and turn stop screw 8 until it touches the knife arm.
- Tighten screw 7 and remove adjustment gauge 2.

13.22 Upper knife stop

Requirement

When the adjustment gauge 1 is resting on the needle plate insert, the arm of the knife should be touching the upper knife stop.

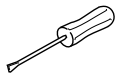
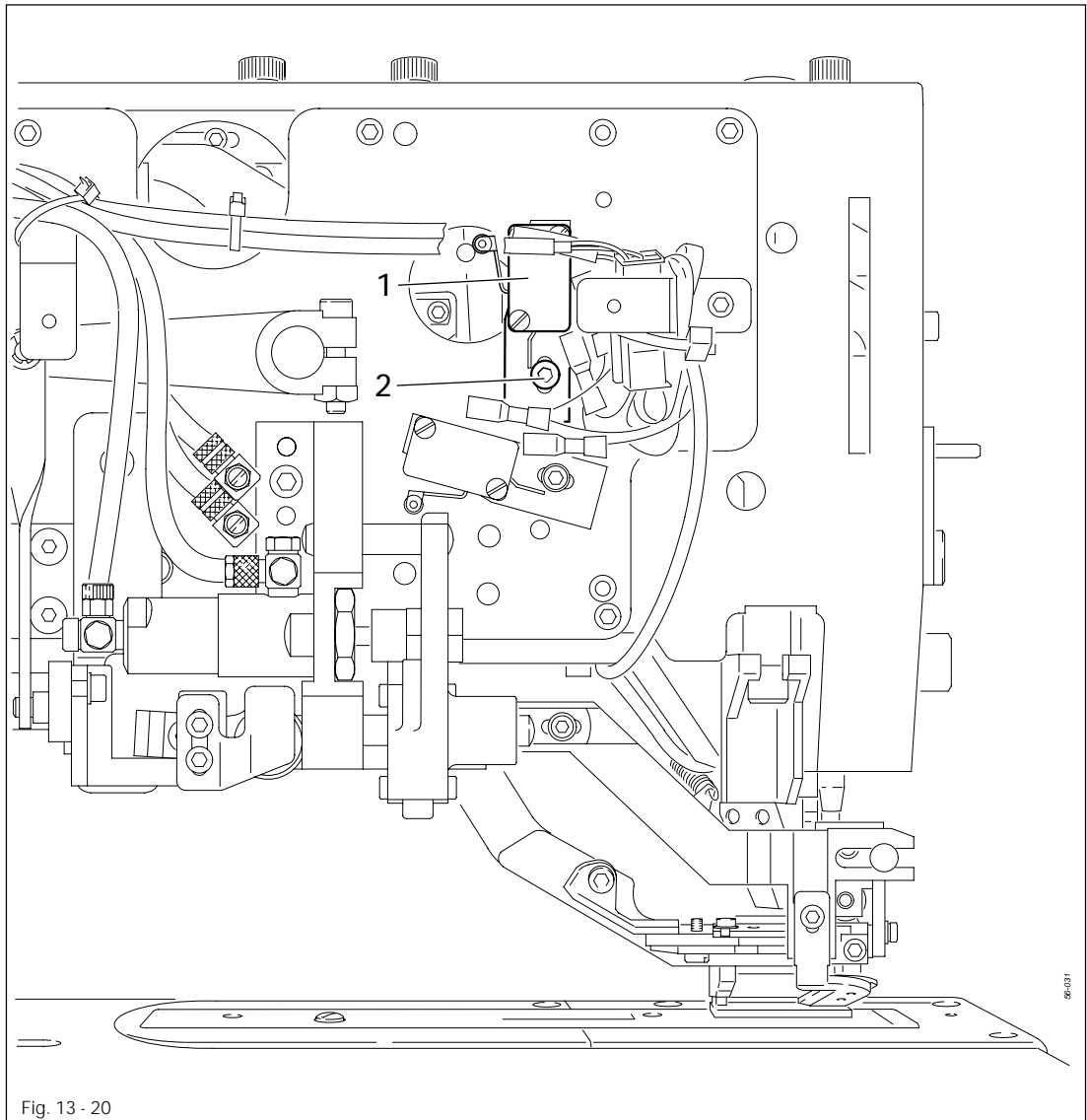


- Fit adjustment gauge 1 (Part no. 61-11 635-93).
- Turn stop screw 2 (screw 3) according to the **requirement**.
- Remove adjustment gauge 1.

13.23 Knife control switch

Requirement

When the cutting device is in its neutral position, switch 1 should be reliably activated.

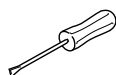
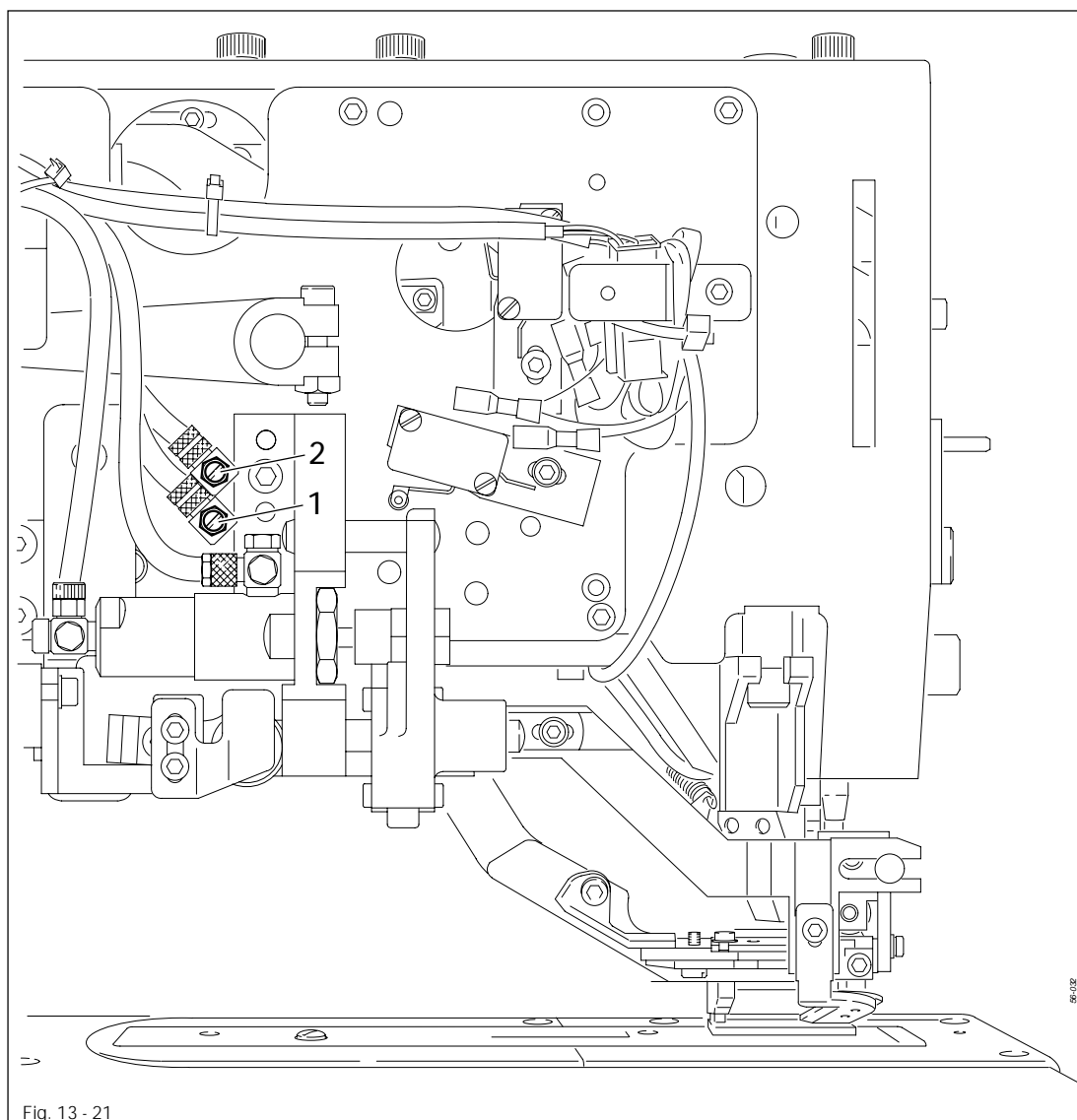


- Adjust switch 1 (screw 2) according to the requirement.

13.24 Knife motion

Requirement

1. The fabric must be cut perfectly.
2. The cutting motion should be carried out as quickly as possible.

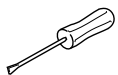
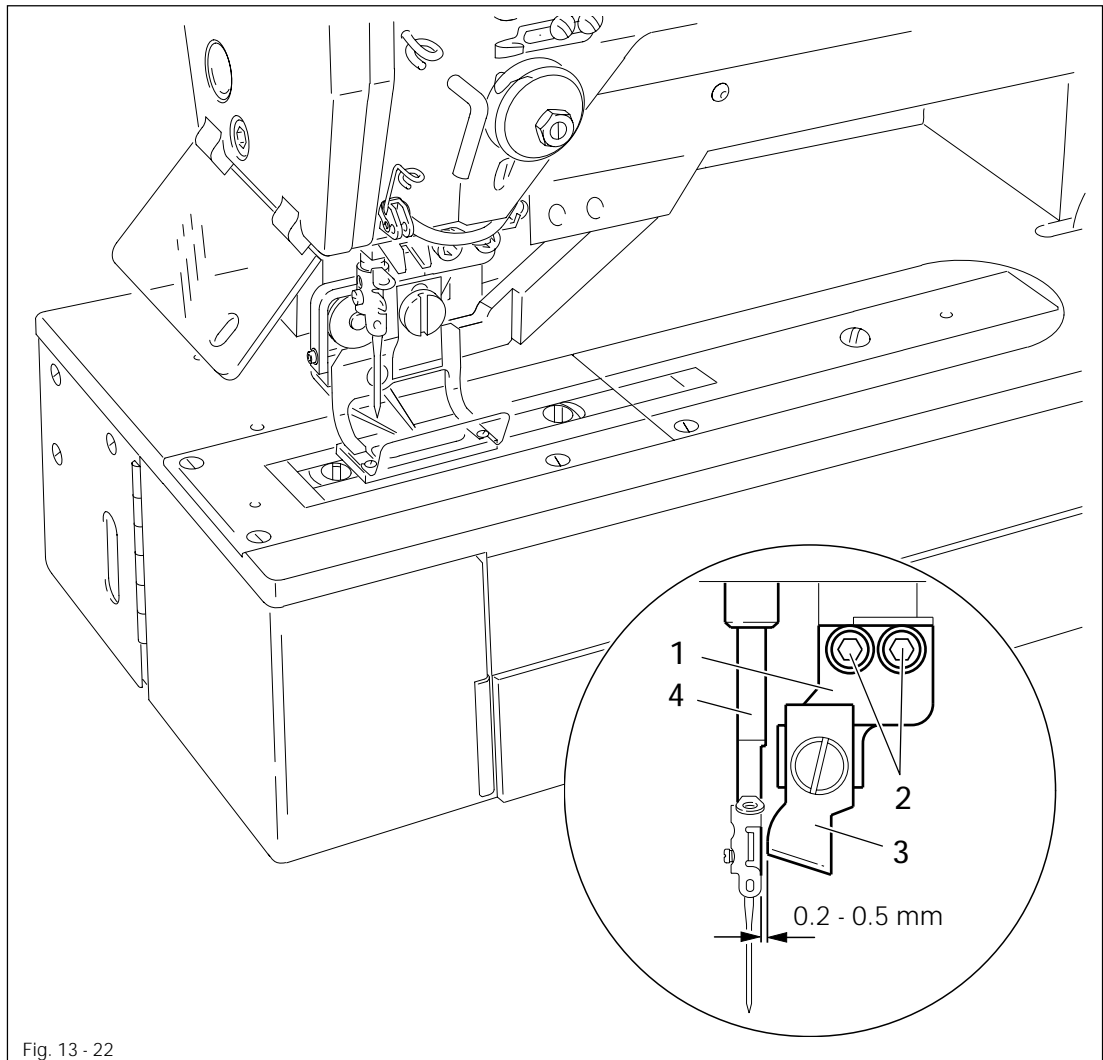


- Adjust the throttles 1 (dropping motion) and 2 (lifting motion) according to the requirements.

13.25 Distance of the knife to the needle bar

Requirement

There should be a distance of **0.2 - 0.5 mm** between the knife **3** and the needle bar **4**.



- Adjust knife holder **1** (screws **2**) according to the **requirement**.
- Remove compressed air supply.
- Push the knife holder down by hand and check the distance of the knife from the needle plate cutout.

13.26 Changing the knife / knife height

Requirement

When the punching or cutting device is in its neutral position, knife 2 should be 23 mm (punching device) or 20 mm (cutting device) away from needle plate 6.

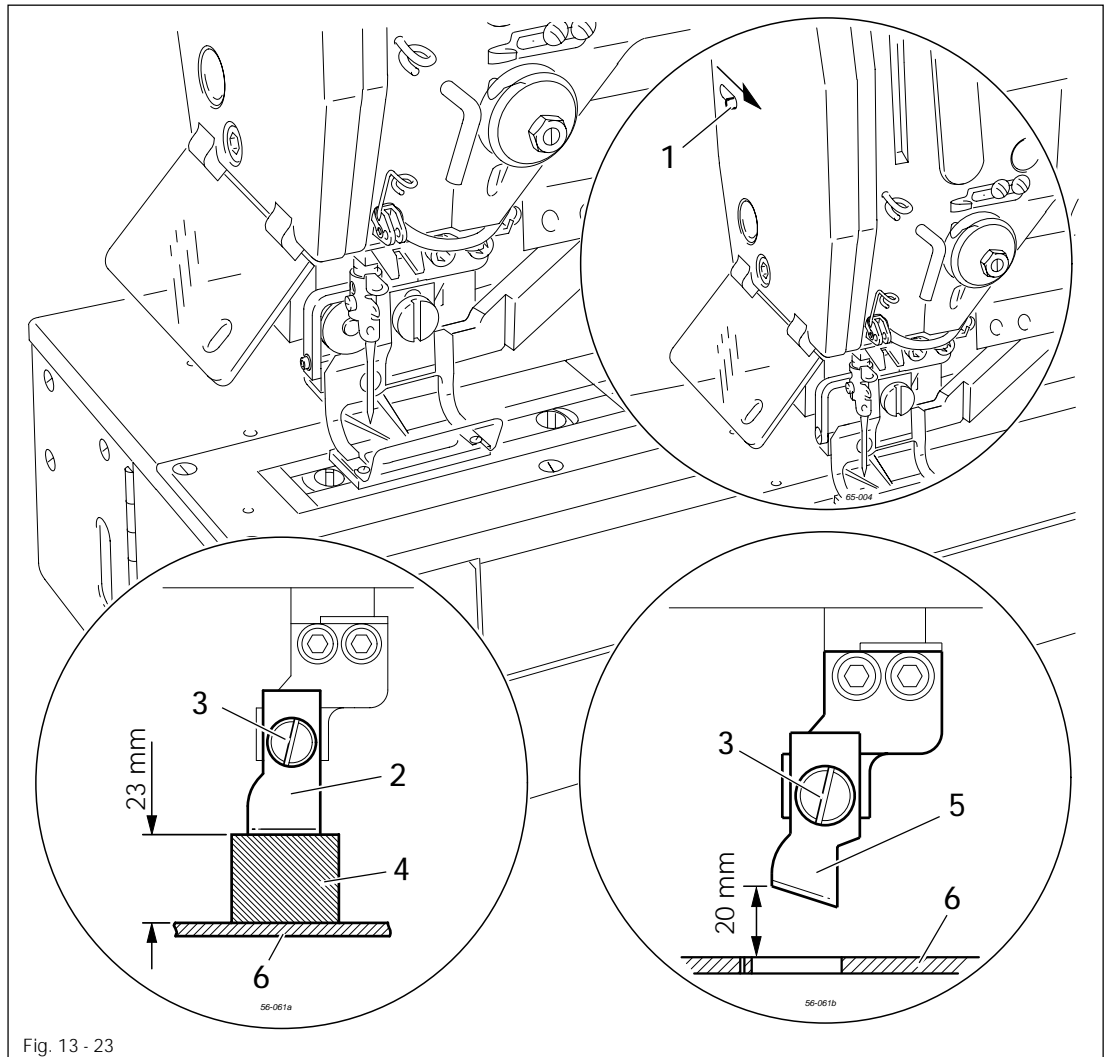
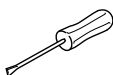


Fig. 13 - 23



Danger of injury from dropping knife!

Activate knife lock (move lever 1 in the direction of the arrow).

**Changing the knife:**

- Remove and replace knife 2 (screw 3).
- Set the knife height as described below.

Knife height on machines with punching device:

- Adjust knife 2 (screw 3) according to the requirement with the aid of adjustment gauge 4 (Part no. 61-111 635-86).

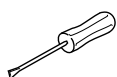
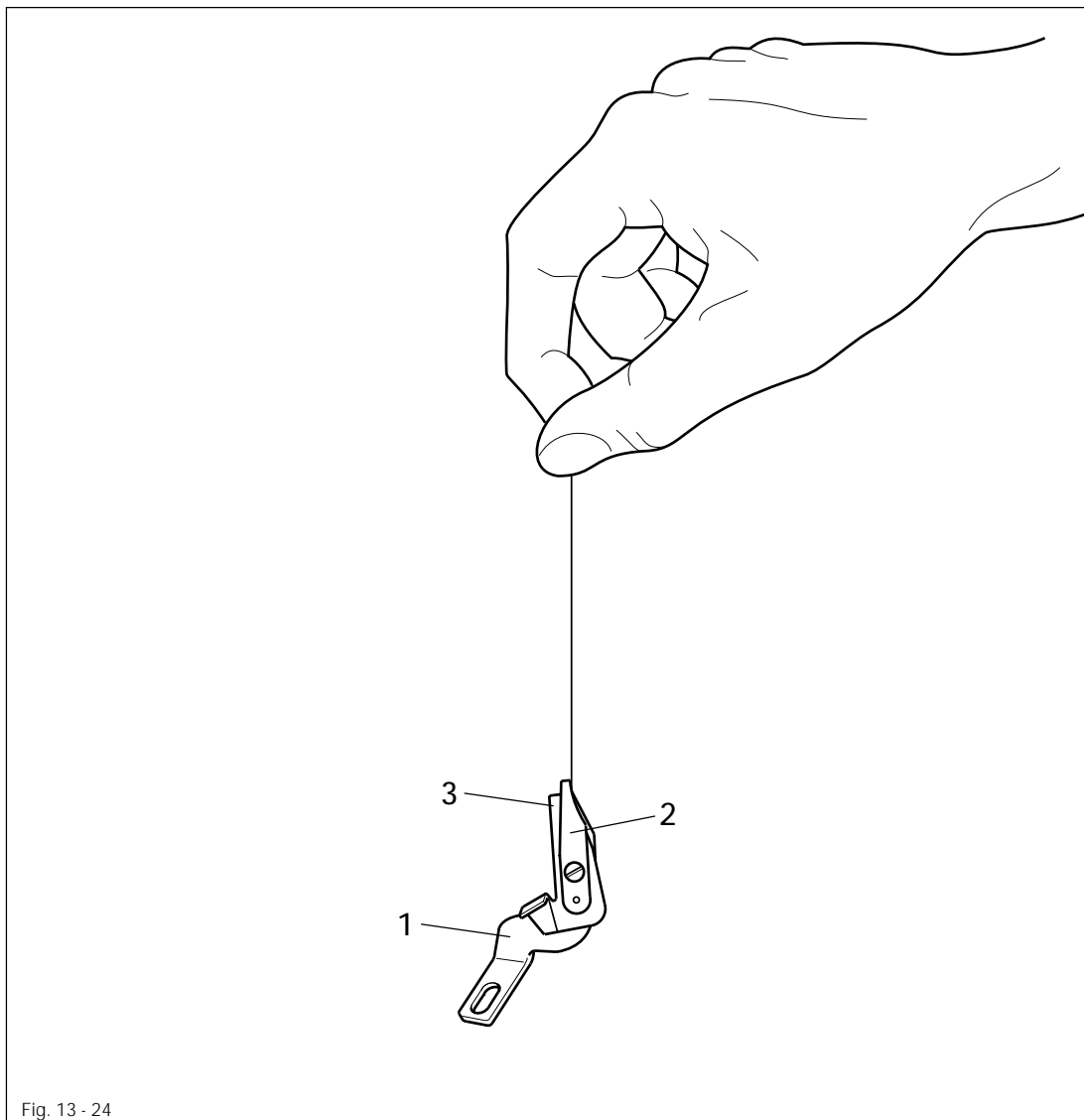
Knife height on machines with cutting device:

- Adjust knife 5 (screw 3) according to the requirement.

13.27 Functional test

Requirement

1. An inserted thread should be cut cleanly by needle thread cutter 1.
2. After cutting, the thread end should be clamped in such a way that the needle thread cutter 1 is held on the thread.



- Dismount needle thread cutter 1.
- Carry out a functional test according to the requirements.
- If necessary, adjust clamp spring 2 or roughen the clamping surfaces.
- Fit the needle thread cutter 1.



If the thread is damaged during clamping, the clamp hold is too tight. There should be no sharp edges on the clamping surfaces of the top cutter section 3, but this must have an adequate clamping surface.

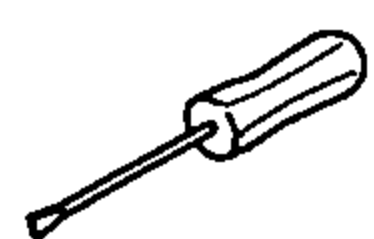
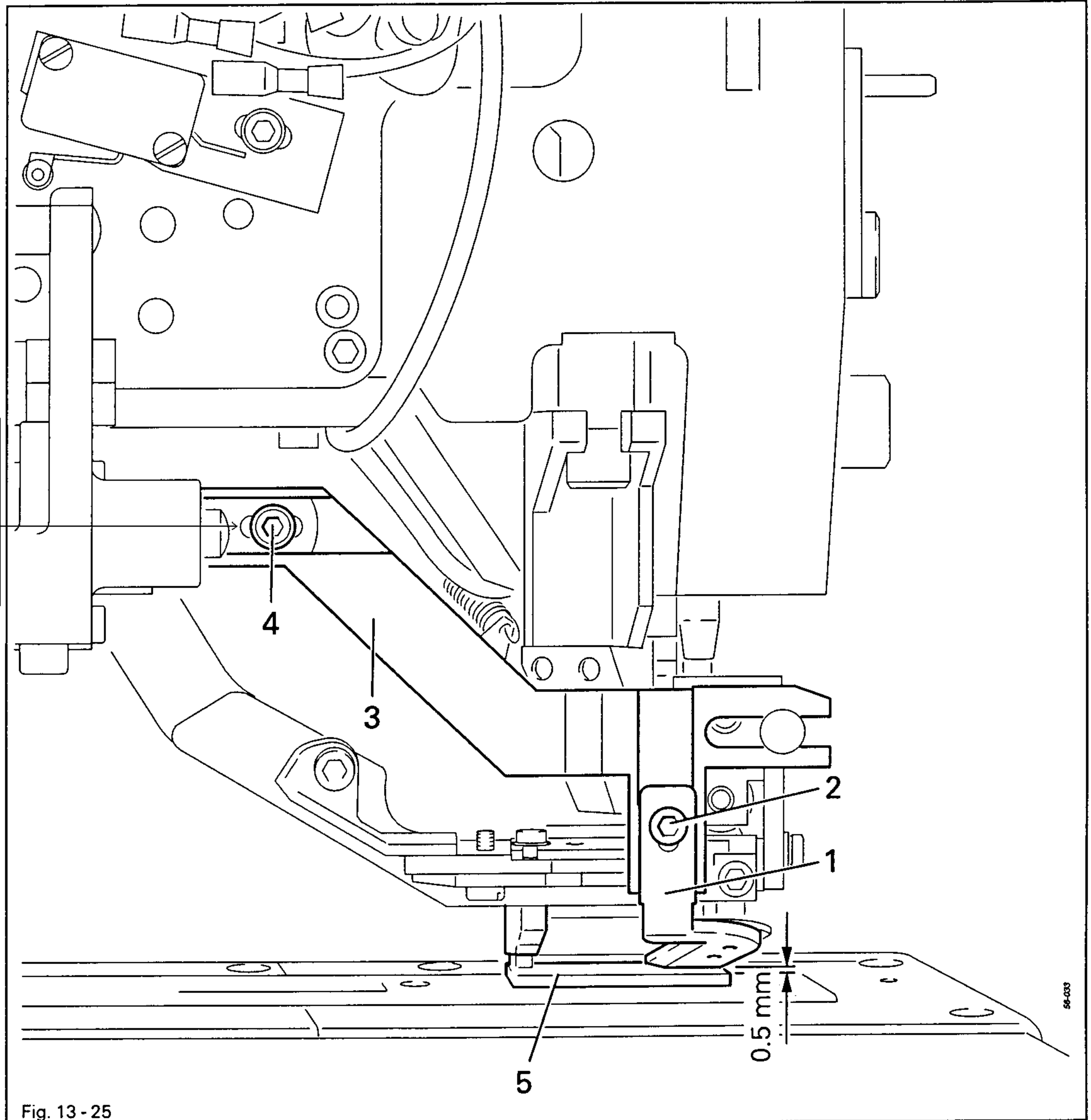
Smooth clamping surfaces have a negative effect on the clamping action.

13.28

Needle thread cutter (vertical and horizontal adjustment)

Requirement

1. The distance between the lower edge of the needle thread cutter 1 and the work clamp 5 must be 0.5 mm.
2. The opened needle thread cutter 1 should reliably catch the needle thread.



- Adjust the needle thread cutter 1 (screw 2) according to requirement 1.
- Adjust clamp 3 (screw 4) according to requirement 2.

13.29 Cam guide unit

Requirement

The starting thread should be sewn over with no problem.

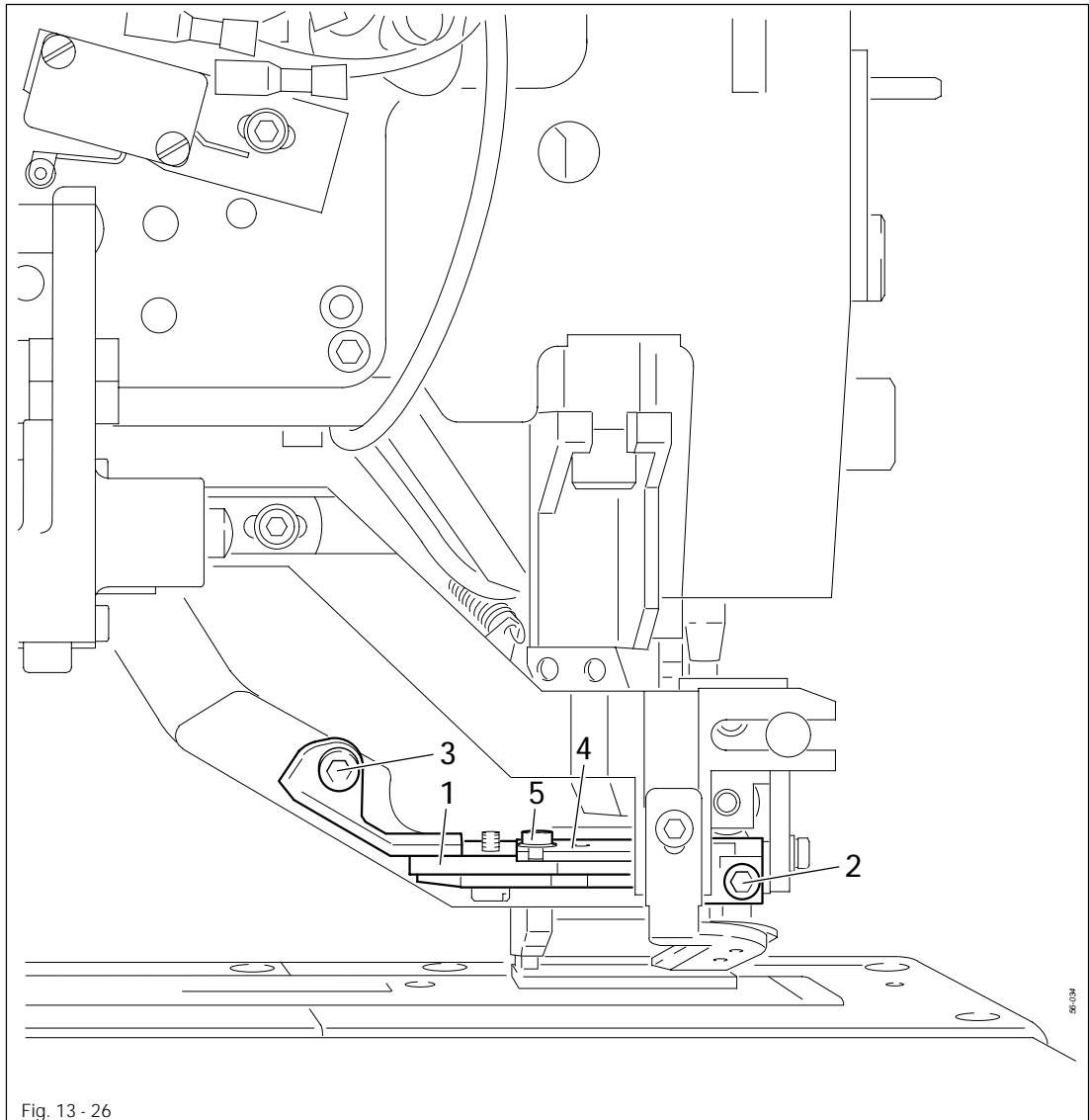
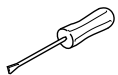


Fig. 13 - 26



- Bring the machine into its basic position and retract the cutter cylinder completely.
- Adjust the cam guide unit 1 (screws 2 and 3) according to the **requirement**.
- Adjust drive plate 4 (screw 5) according to the **requirement**.



The opening and swinging out of the needle thread cutter must be corrected during sewing, if necessary.

13.30 Needle thread cutter stroke

Requirement

The stroke length between the extended and retracted cutter cylinder 3 should be 4.5 mm.

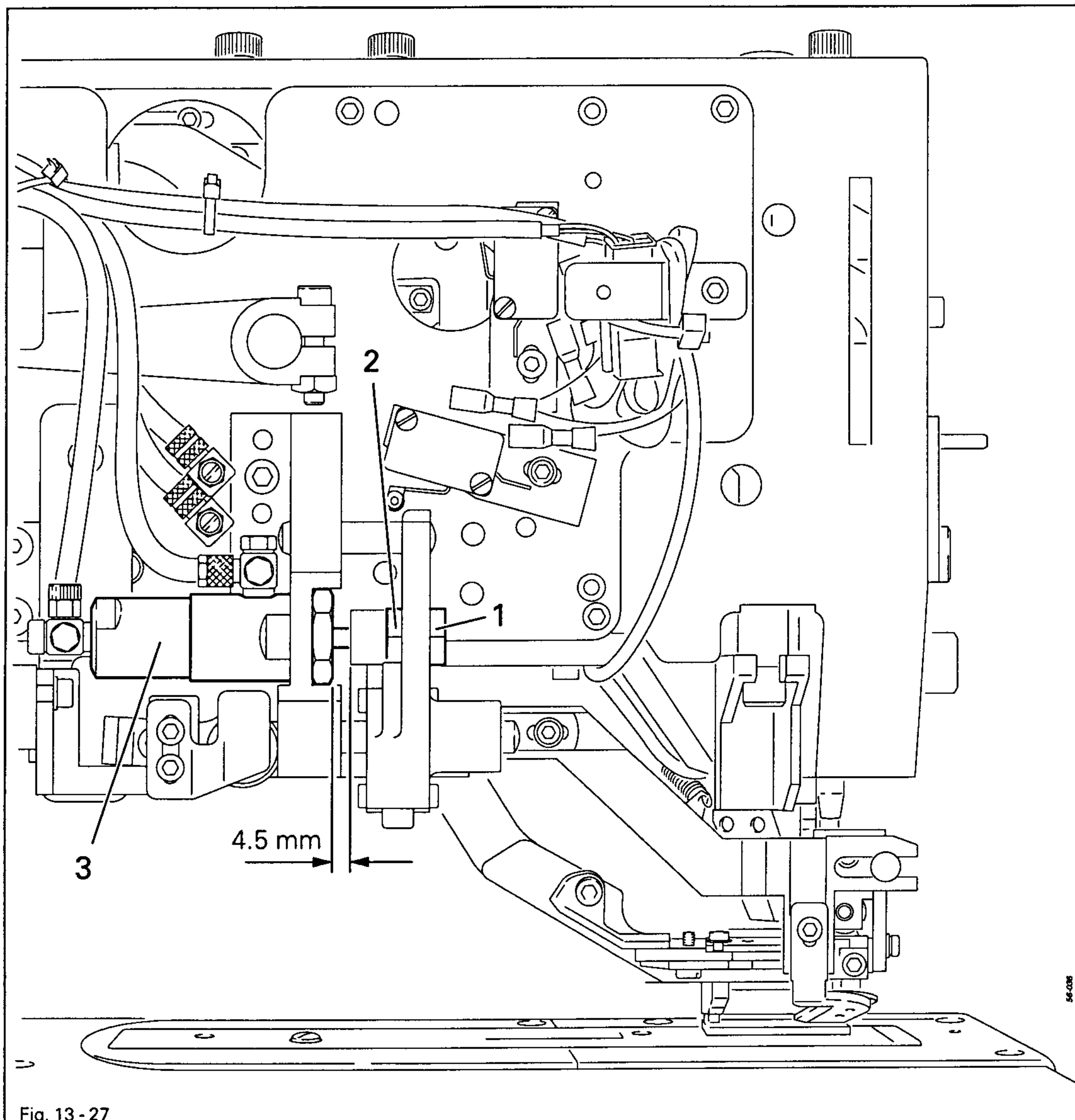
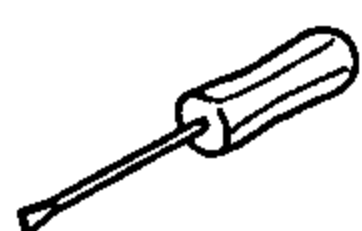


Fig. 13-27



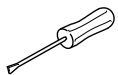
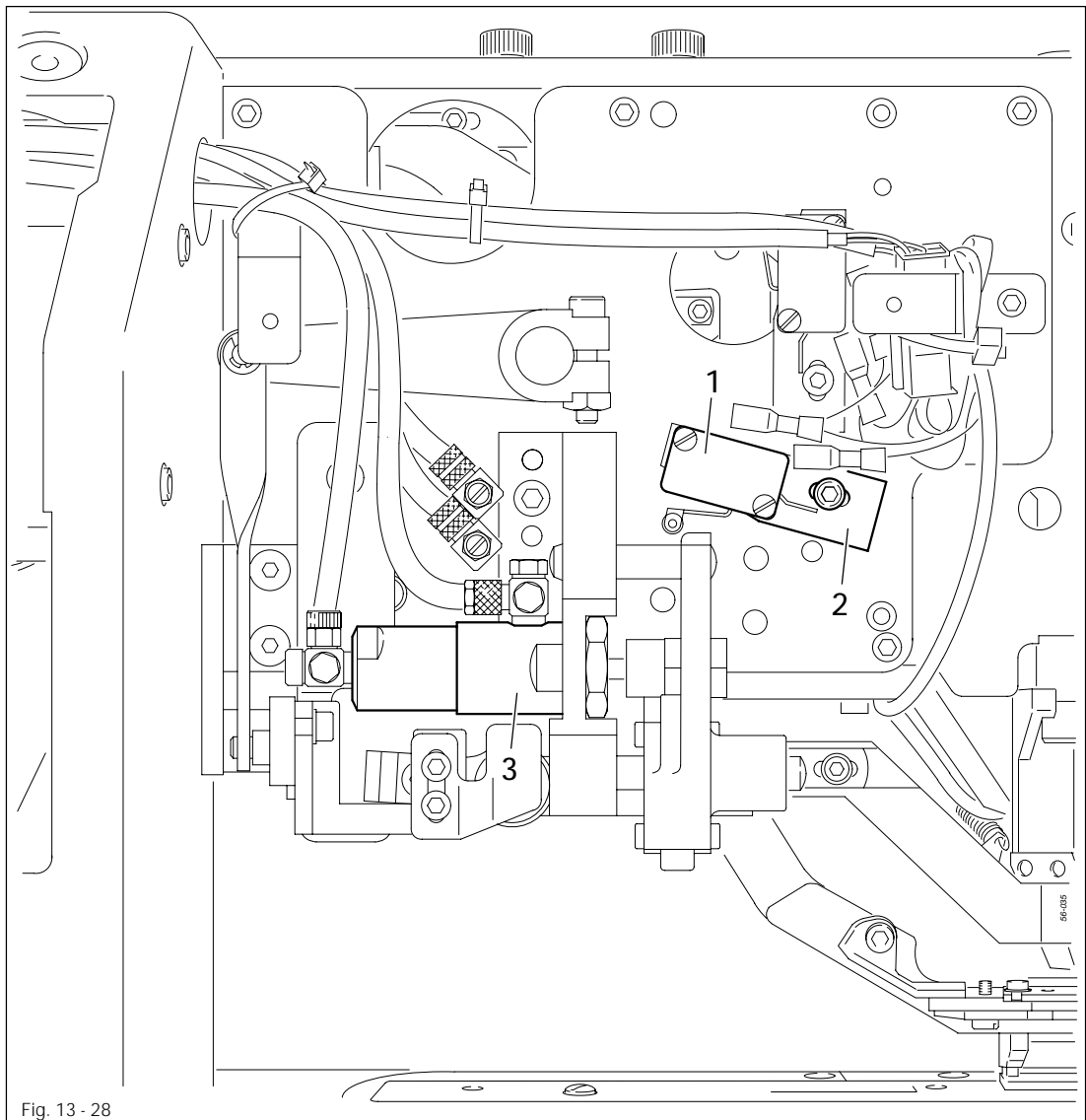
- Adjust nut 1 (locking nut 2) according to the requirement.

To check, put the machine in the sewing mode and use the step forward or step backward button.

13.31 Needle thread cutter switch

Requirement

When the cutter cylinder 3 is retracted, switch 1 should be reliably activated.



- Adjust switch 1 (screw 2) according to the requirement.

13.32 Needle thread cutter release

Requirement

With the clamp lowered.

1. Adjustment hole 6 must match the hole in the mounting plate 7.
2. There should be a space of approximately 1 mm between the lower edge of pawl 5 and the upper edge of catch 8. (The thread should not be cut until the needle thread tension unit is open.)

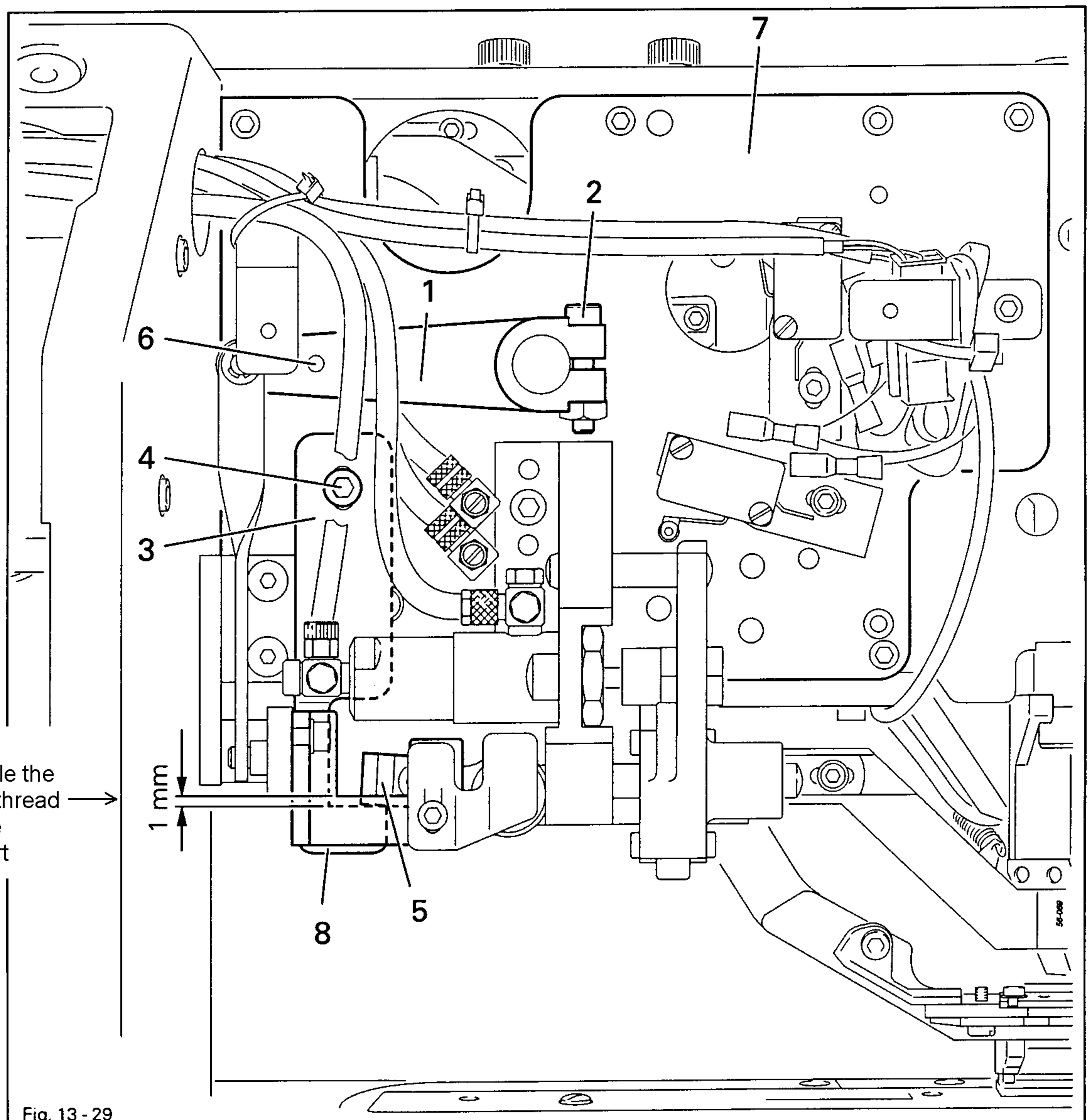
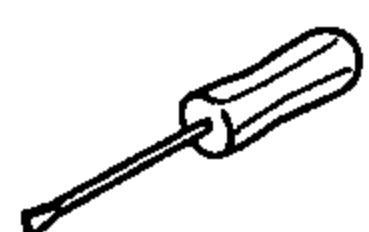


Fig. 13 - 29



- Adjust lever 1 (screw 2) according to requirement 1 with the aid of the adjustment pin (Part no. 61-111 641-46).
- Disengage the needle thread cutter by hand.
- Adjust bar 3 (screw 4) according to requirement 2.
- Raise pawl 5 and allow the needle thread cutter to engage.

Requirement

When the cutter frame 1 is at the highest point of the cam guide unit 2, there should be a space of 0.2 mm between catch 3 and pawl 6.

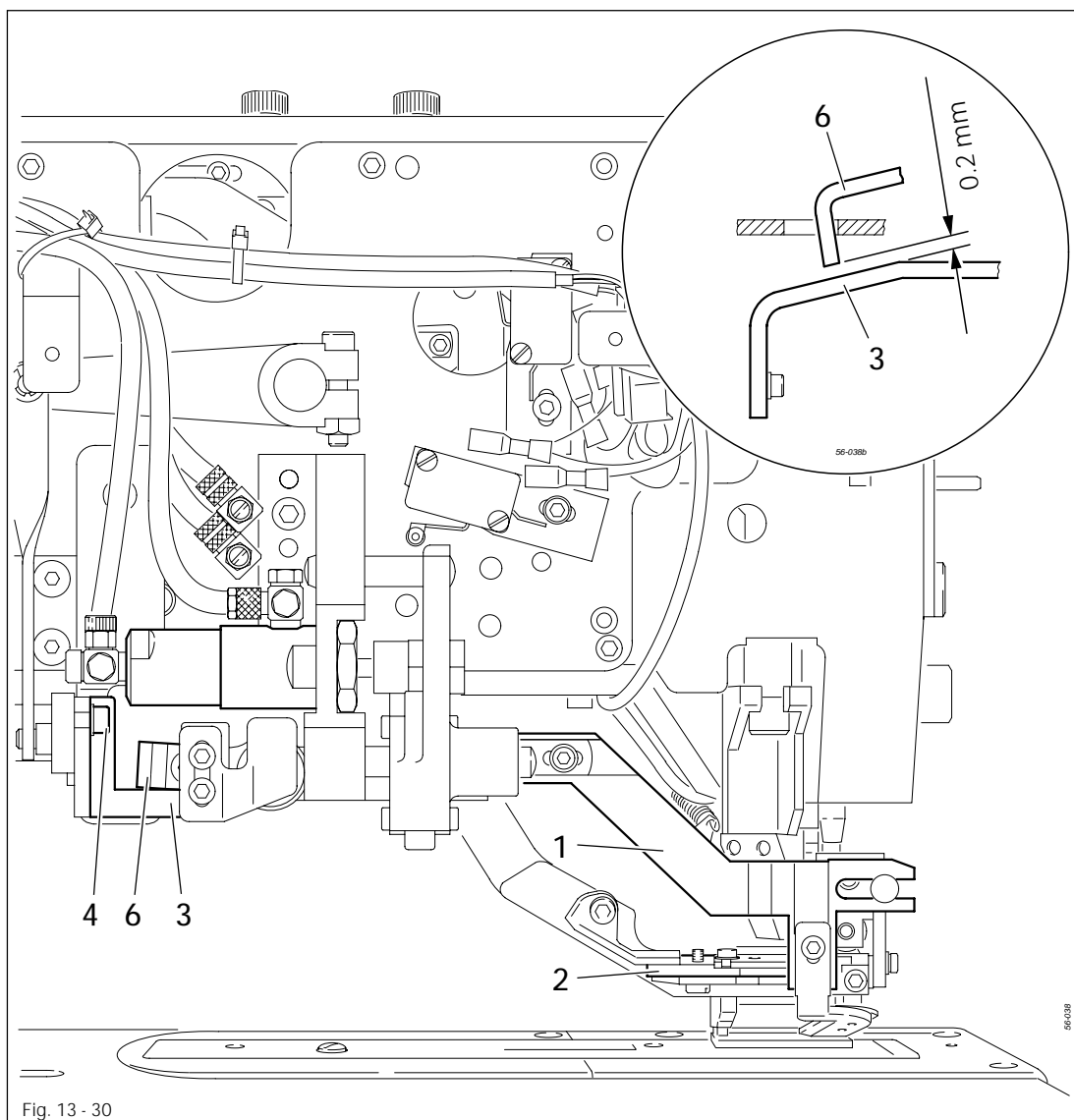
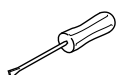


Fig. 13 - 30



- Connect the machine to the compressed air system and switch on the machine at the on / off switch.



- Move through the seam construction step by step until the cutter frame 1 is at the highest point of the cam guide unit 2.

- Adjust catch 3 (screw 4) according to the requirement.



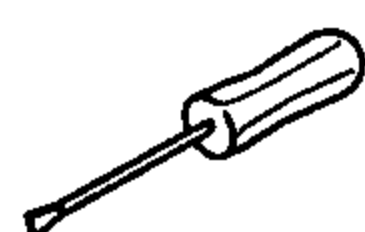
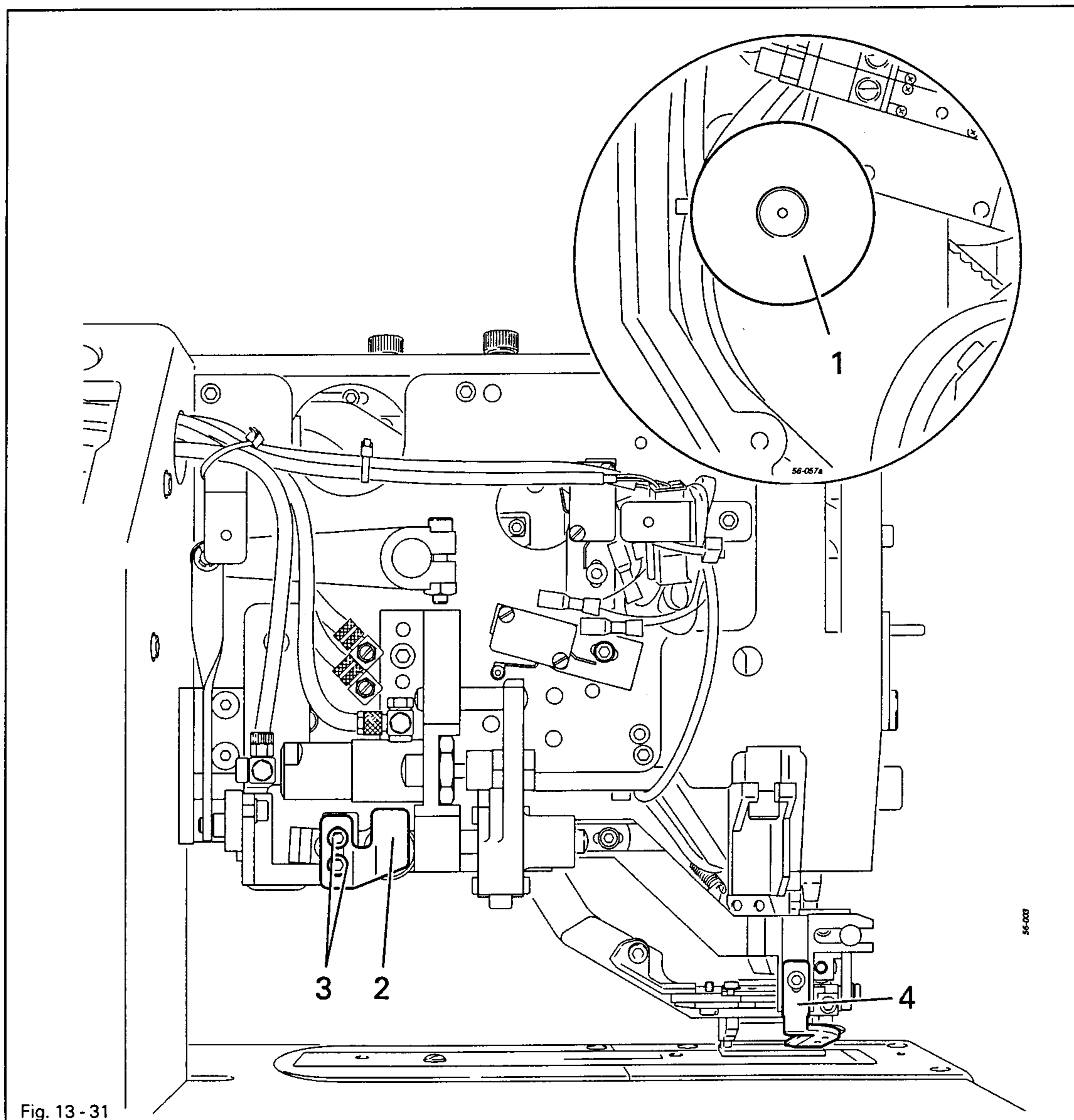
- Move the machine further until reaching the basic position.

- Switch off the on/off switch and disconnect the machine from the compressed air system.

13.34 Swing out motion of the needle thread cutter

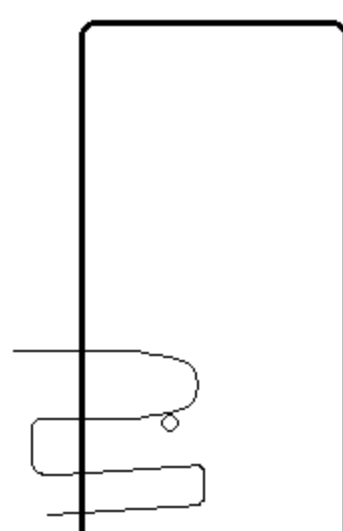
Requirement

1. Before the swing out motion begins, the needle thread cutter 4 should have clamped and cut the thread reliably.
2. When the needle thread cutter 4 swings out, it should not touch the needle point.



- Bring the machine to t.d.c. take-up lever (balance wheel 1).
- Adjust cam 2 (screws 3) according to the requirements.
For final setting of needle thread cutter.

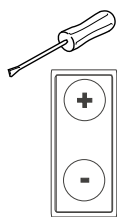
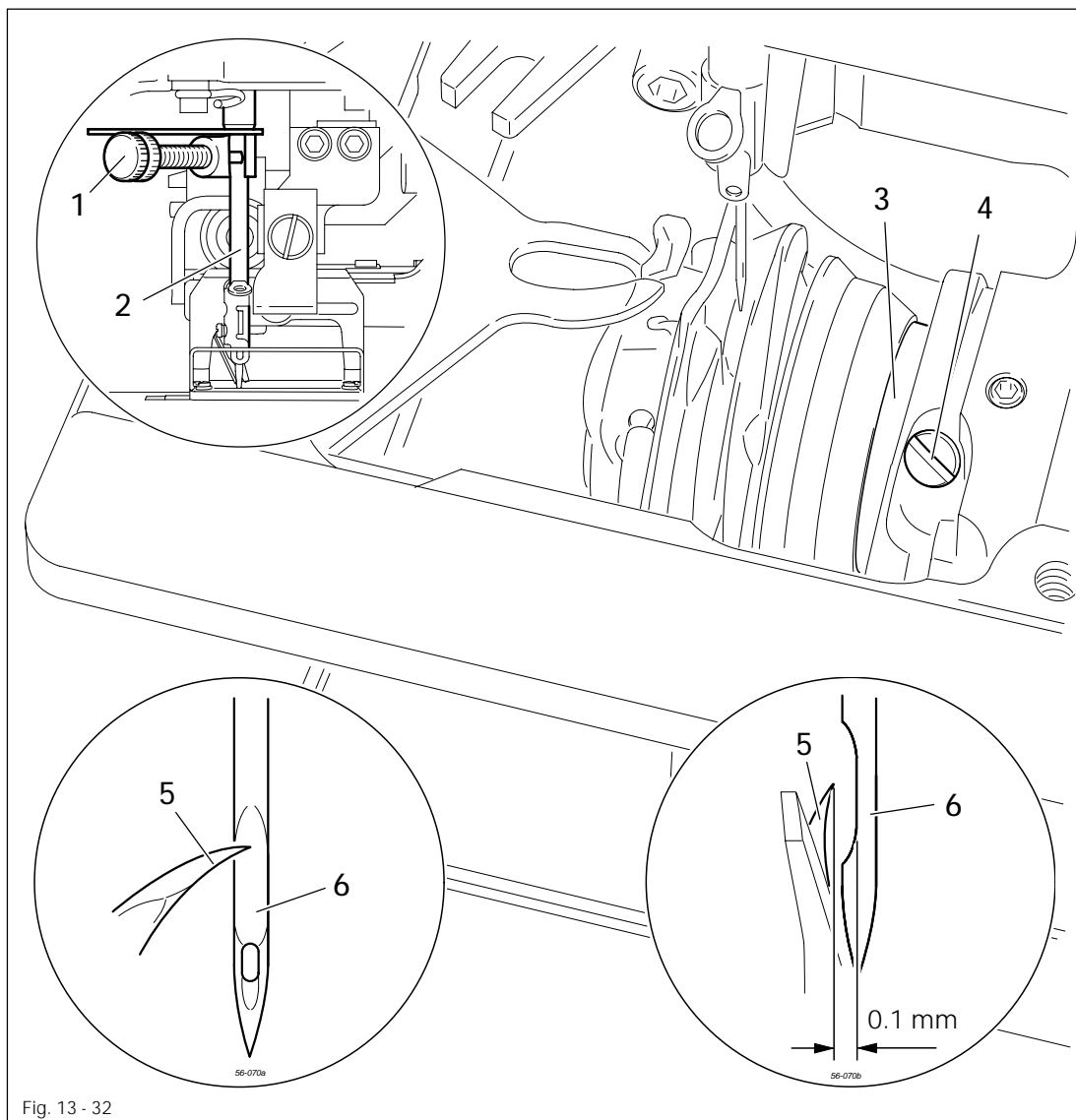
Using the heaviest fabric sewn, run the machine through a cycle and disable the center knife action, position the thread nipper as shown in drawing. Set the machine for a knife cut of 6.4mm (mim. size) and check making sure the thread cutter is completely locked out.



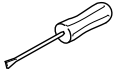
Requirement

1. When the needle penetrates the right side of the left purl seam, the needle bar rise should be 2.4 mm.

When this happens, the point of the hook 5 should point exactly to the centre of the needle 6 and there should be a clearance of 0.1 mm between the needle 6 and the hook point 5.



- Dismantle the feeder, needle plate and knife.
- Switch on the machine.
- Select parameter "610".
- Disengage the needle thread cutter by hand.
- Select position "1" (left purl seam, right penetration point).



- Bring the needle to b.d.c.
- Fit screw clamp 1 (Part no. 61-111 600-35/001) to needle bar 2.
- Bring 2.4 mm needle rise gauge (Part no. 61-111 600-09) between the screw clamp 1 and the guide stop of the needle bar 2.
- Loosen the screw clamp 1, slide up as far as possible and tighten it again.
- Remove the needle rise gauge.
- Turn the balance wheel in the direction of sewing until screw clamp 1 has contact.
- Turn hook sleeve 3 (screws 4) according to **requirement 1** and adjust it according to **requirement 2**.
- Loosen and remove screw clamp 1.

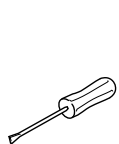
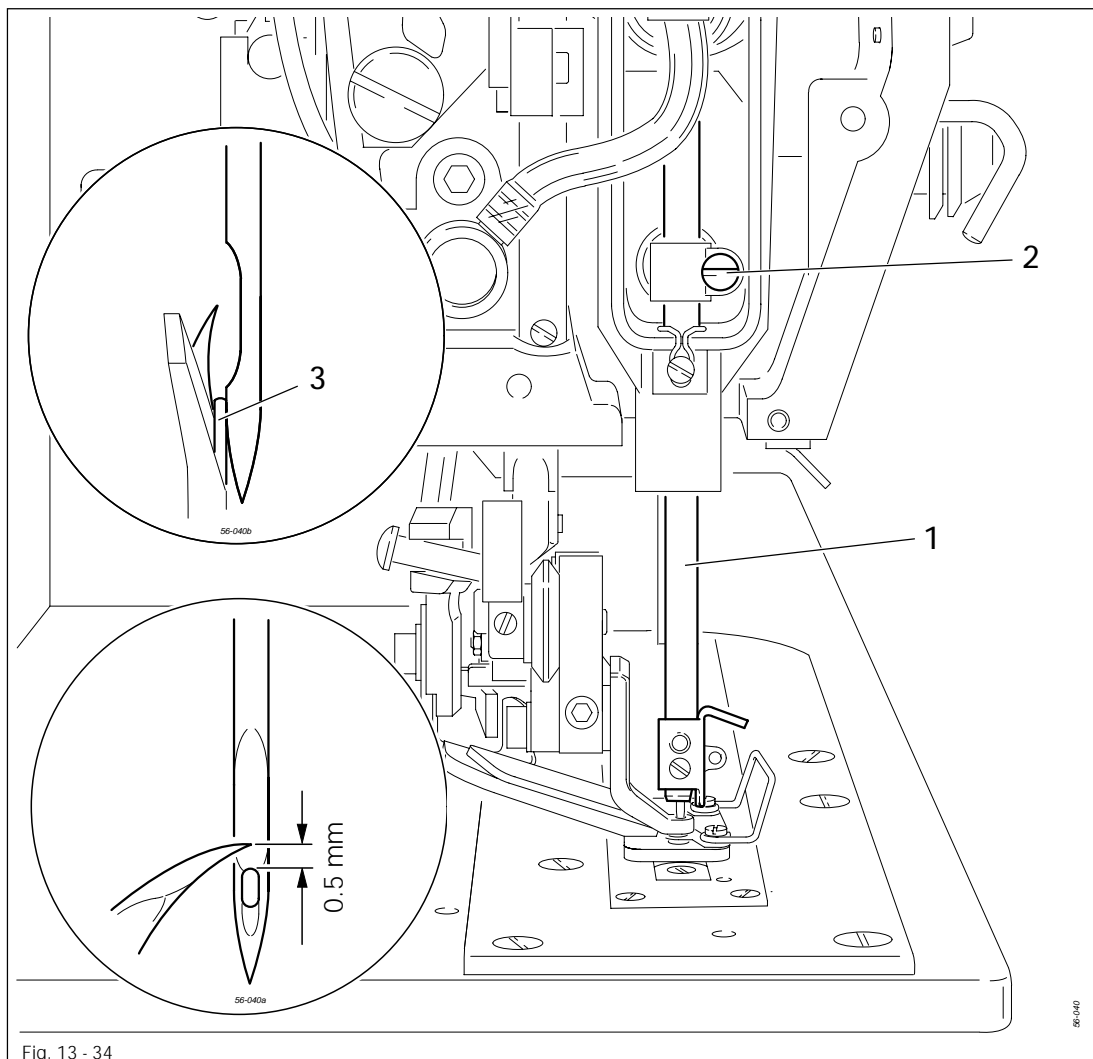


The machine remains switched on for the next adjustment.

13.36 Needle bar height and needle guard

Requirement

1. When the needle penetrates the right side of the right purl seam, there should be a clearance of **0.5 mm** between the top edge of the needle eye **1** and the hook point **2** at the end of the needle rise.
2. When the needle penetrates the right side of the left purl seam, in needle rise position the needle should lightly touch needle guard **3**.

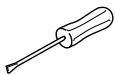
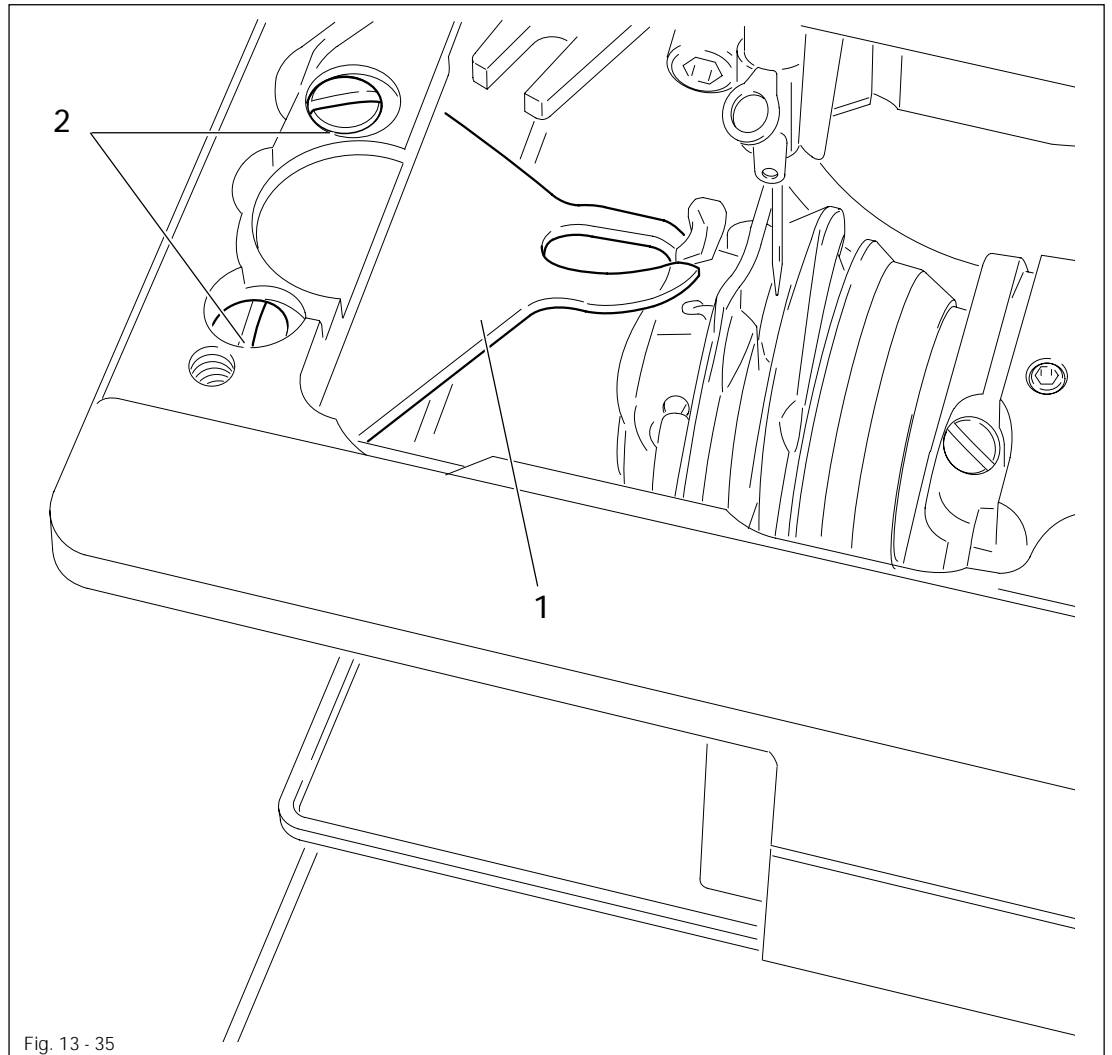


- Select position "2" (right purl seam, right needle penetration).
- Adjust the needle bar **1** (screw **2**) according to **requirement 1**.
- Select position "1" (left purl seam, right needle penetration).
- Align needle guard **3** according to **requirement 2**.
- Switch off the machine.

13.37 Bobbin case holder

Requirement

The bobbin case holder should be scarcely but reliably held.



- Adjust bobbin case holder 1 (screws 2) according to the requirement.
- Move the needle plate against the stop and screw tight.

13.38 Hook lubrication

Requirement

1. After approx. 10 sewing cycles, a fine oil streak should appear on a piece of paper held below the hook.
2. The felt ring should lightly touch the spring-loaded metal disc.

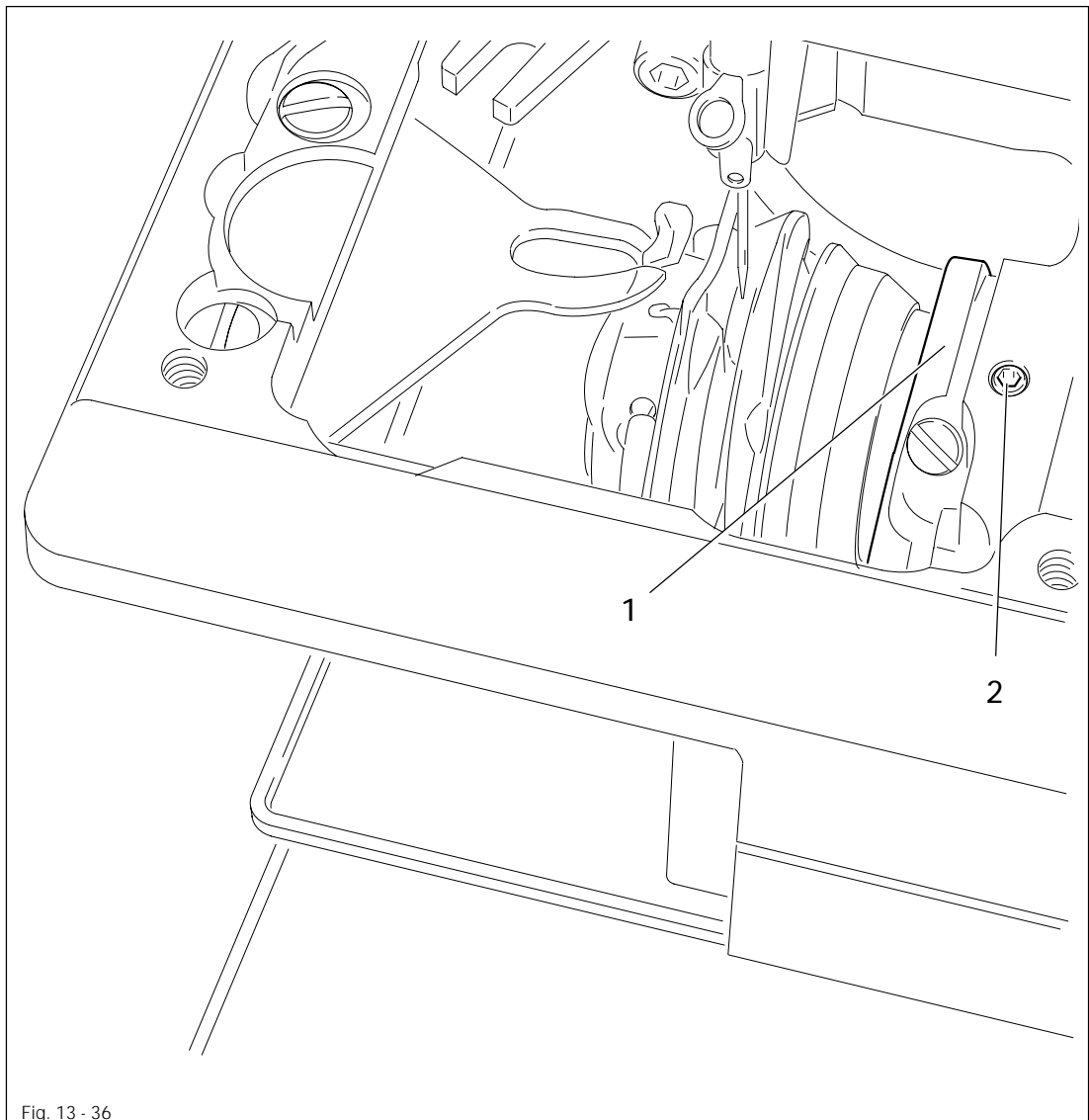
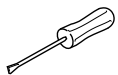


Fig. 13 - 36

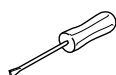
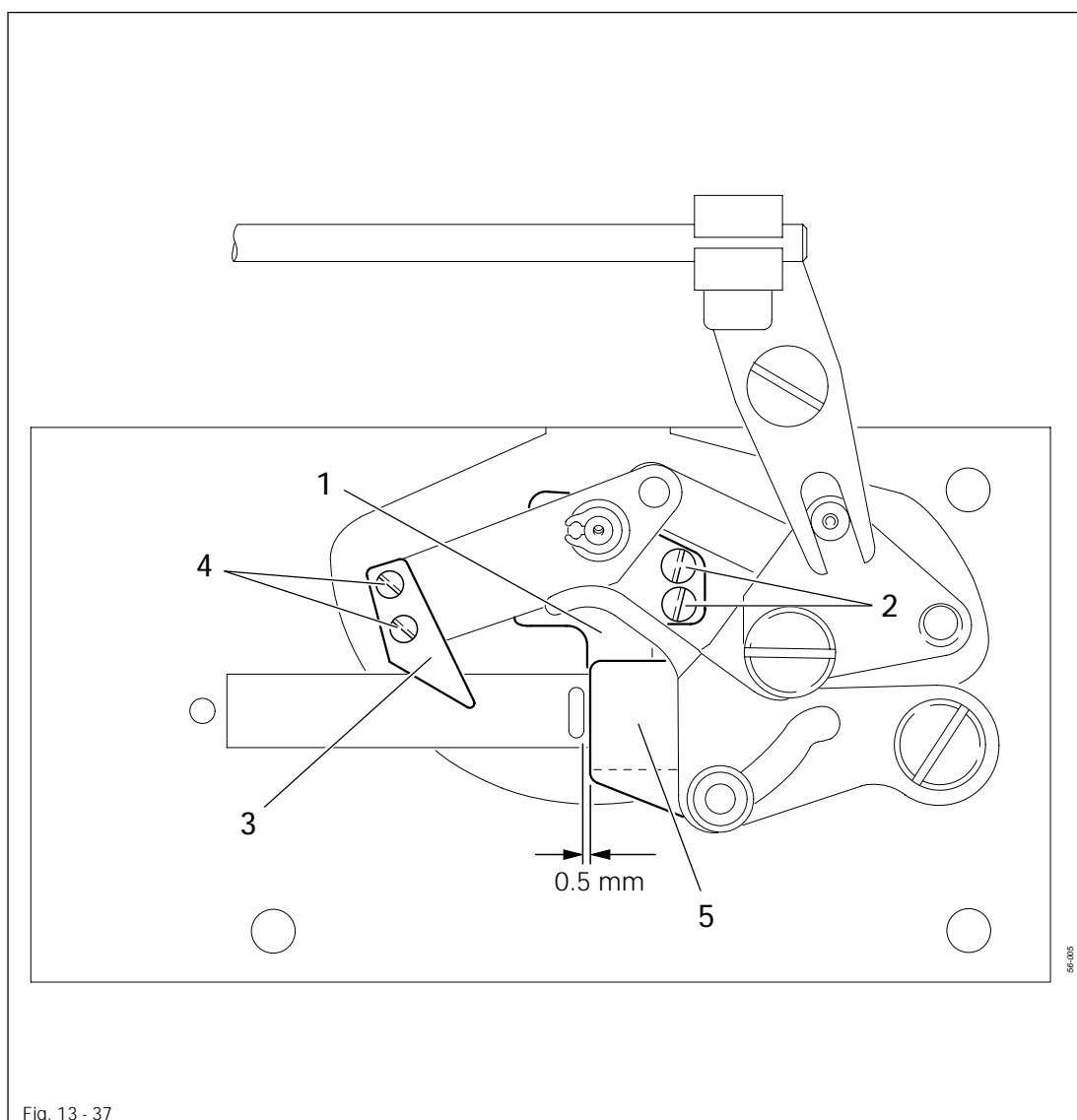


- Check the oil level according to Chapter 12.06 Oil level for the hook.
- Switch on the machine.
- Adjust oil guide ring 1 (grub screw 2) according to the requirements.
- Switch off the machine.

13.39 Knife position

Requirement

1. (When the bobbin thread trimming device is in its neutral position), knife 1 should be parallel to the edge of the needle hole with a clearance of **0.5 mm**.
2. During the cutting motion, the catcher 3 should move as near as possible to knife guard 5 without touching it.



- Adjust knife 1 (screws 2) according to requirement 1.
- Adjust catcher 3 (screws 4) according to requirement 2.

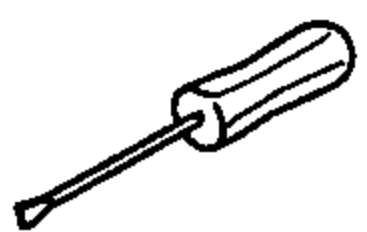
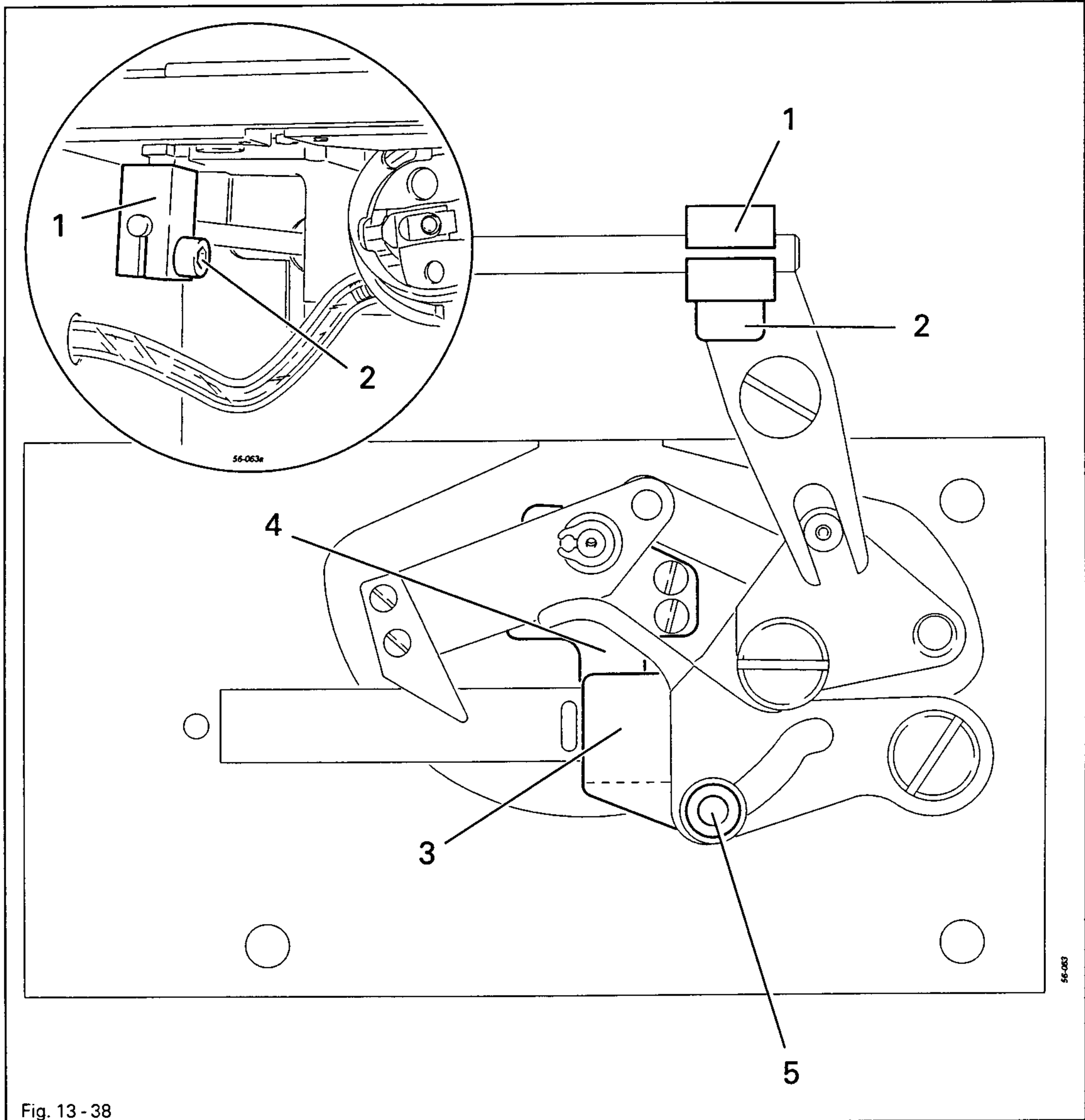
13.40

Knife guard

Requirement

(clamp down)

1. When the bobbin thread trimming device is in its neutral position, knife guard 3 should be parallel to the edge of the knife 4.
2. The stud 5 should not touch the bottom of the cam (set clamp 1 in a vertical position).

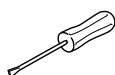
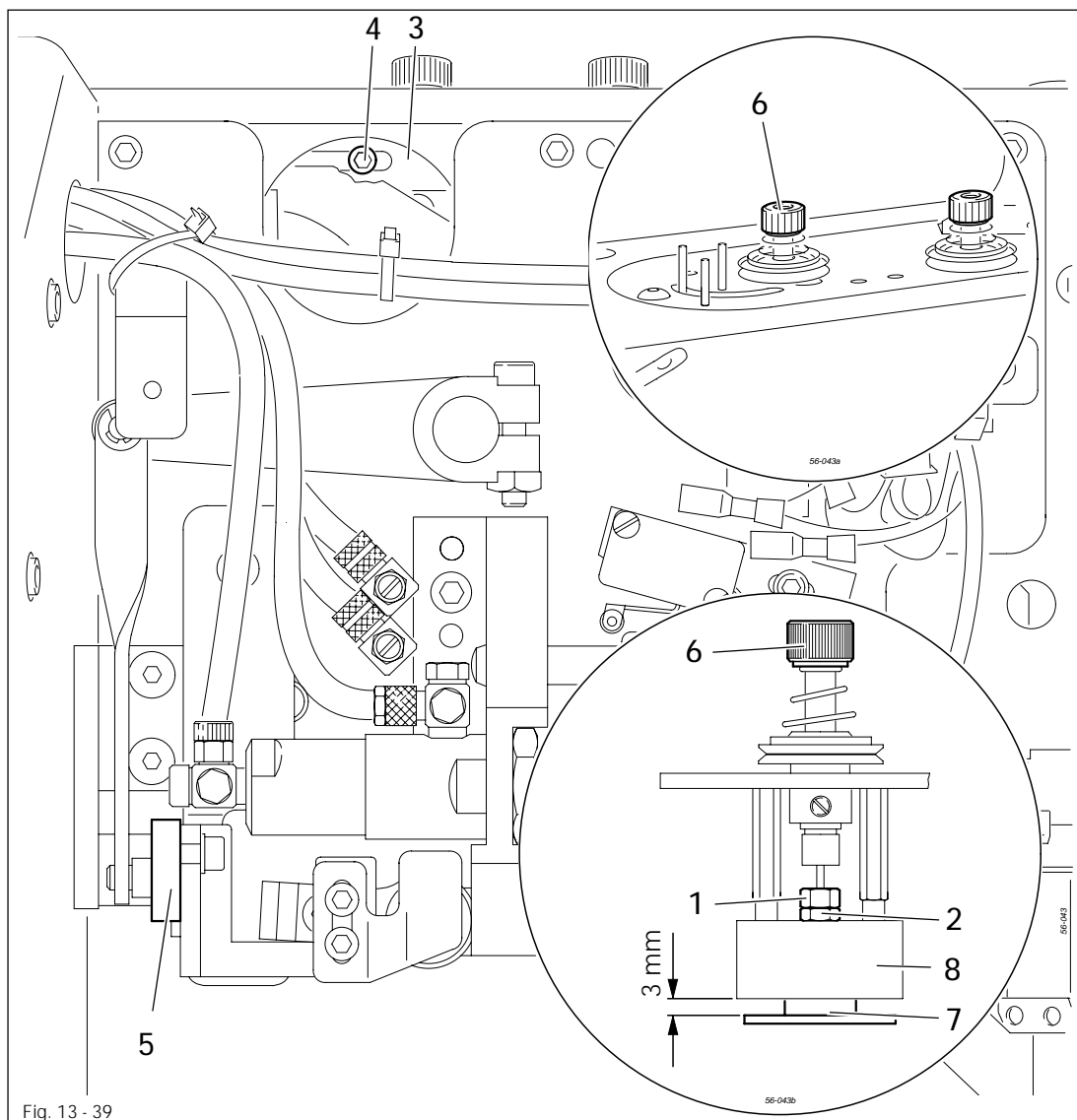


- Switch on the machine.
- Dismantle feeder and needle plate insert.
- Switch off the machine and disconnect the compressed air supply.
- Adjust clamp 1 (screw 2) according to the requirements.
- Lift work clamp and fit needle plate insert and feeder.

13.41 Needle thread tension release

Requirement

1. When the thread tension unit 6 is in its neutral position, the release magnet 7 should be 3 mm away from case 8.
2. The thread tension unit 6 should open before the cutter cuts the thread.

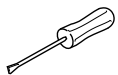
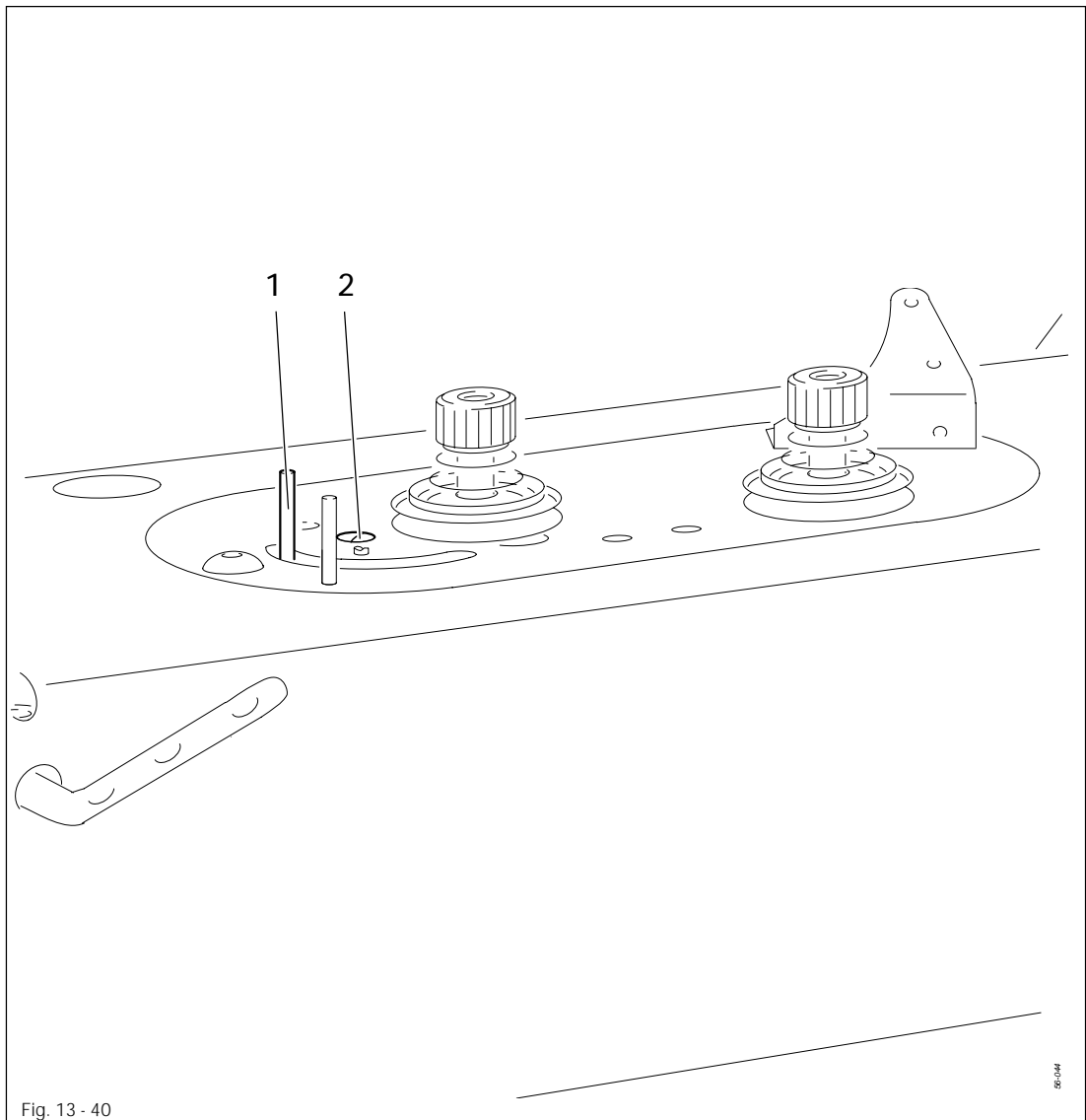


- Remove the tension plate.
- Adjust nut 1 (locking nut 2) according to requirement 1.
- Adjust release 3 (screw 4) according to requirement 2.
- Check the adjustment by operating lever 5.

13.42 Needle thread puller

Requirement

1. When sewing starts, the needle thread should not be pulled out of the needle thread cutter.
2. The loose needle thread must be used up after the first stitch.



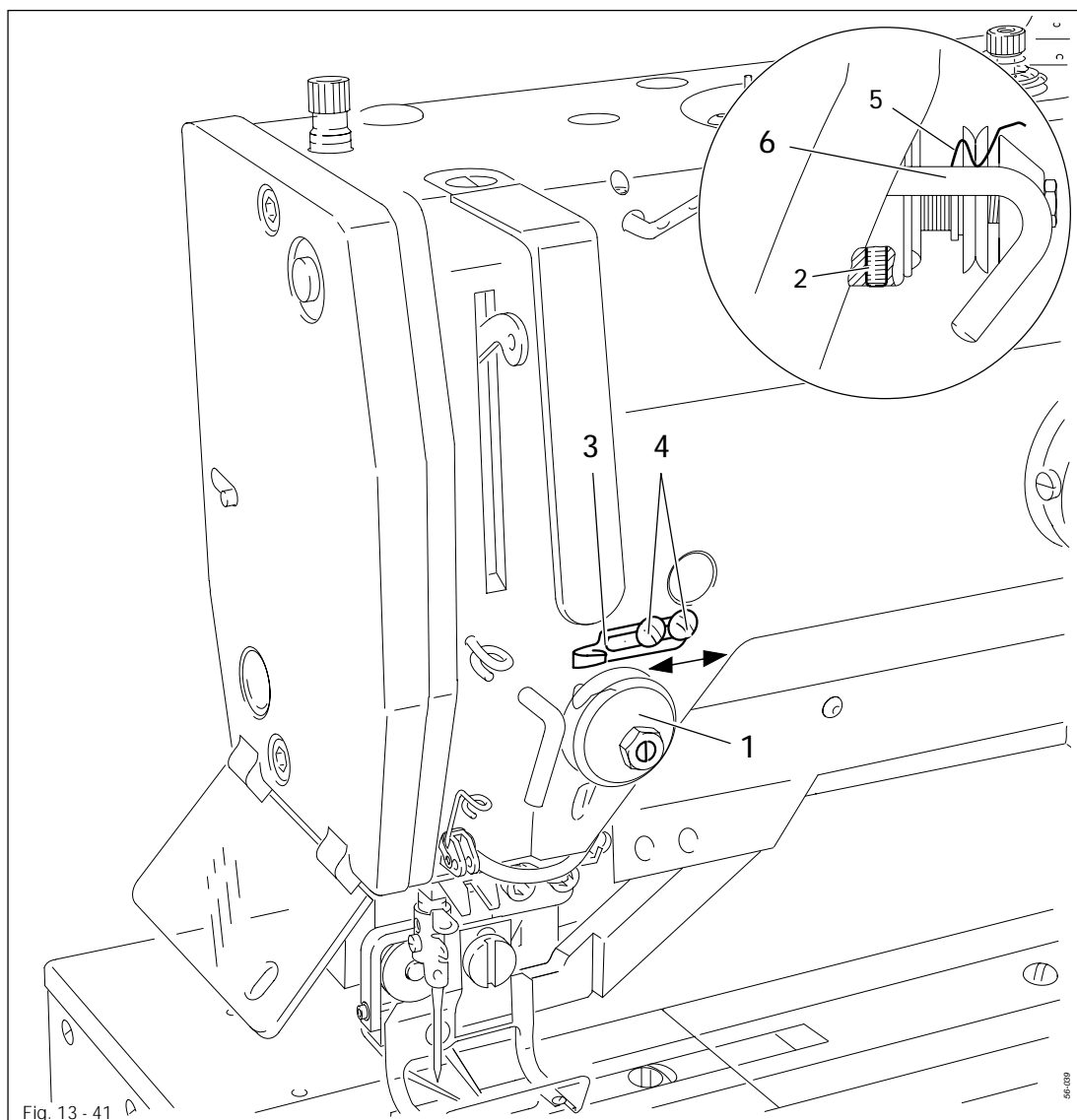
- Adjust needle thread puller 1 (screw 2) according to the requirements.

13.43 Side thread tension and slack thread regulator

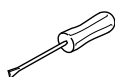
Requirement

Thread check spring 5 should be

1. flush with the top edge of bar 6 and
2. rise slightly from its position rest when the thread loop through the hook is at its largest.



- Thread the needle thread.
- Adjust the thread tension unit 1 (grub screw 2) according to requirement 1.
- Adjust the slack thread regulator 3 (screws 4) according to requirement 2.



The stroke of thread check spring 5 and the position of slack thread regulator 3 are dependent on the material and must be adjusted in accordance with the sewing results.

Requirement

1. When the bobbin winder is activated, the friction wheel 5 should be driven reliably.
2. When the bobbin winder is deactivated, the drive wheel 1 should not touch friction wheel 5.
3. When the bobbin is filled up to 1 mm from the edge, the bobbin winder should switch off automatically.

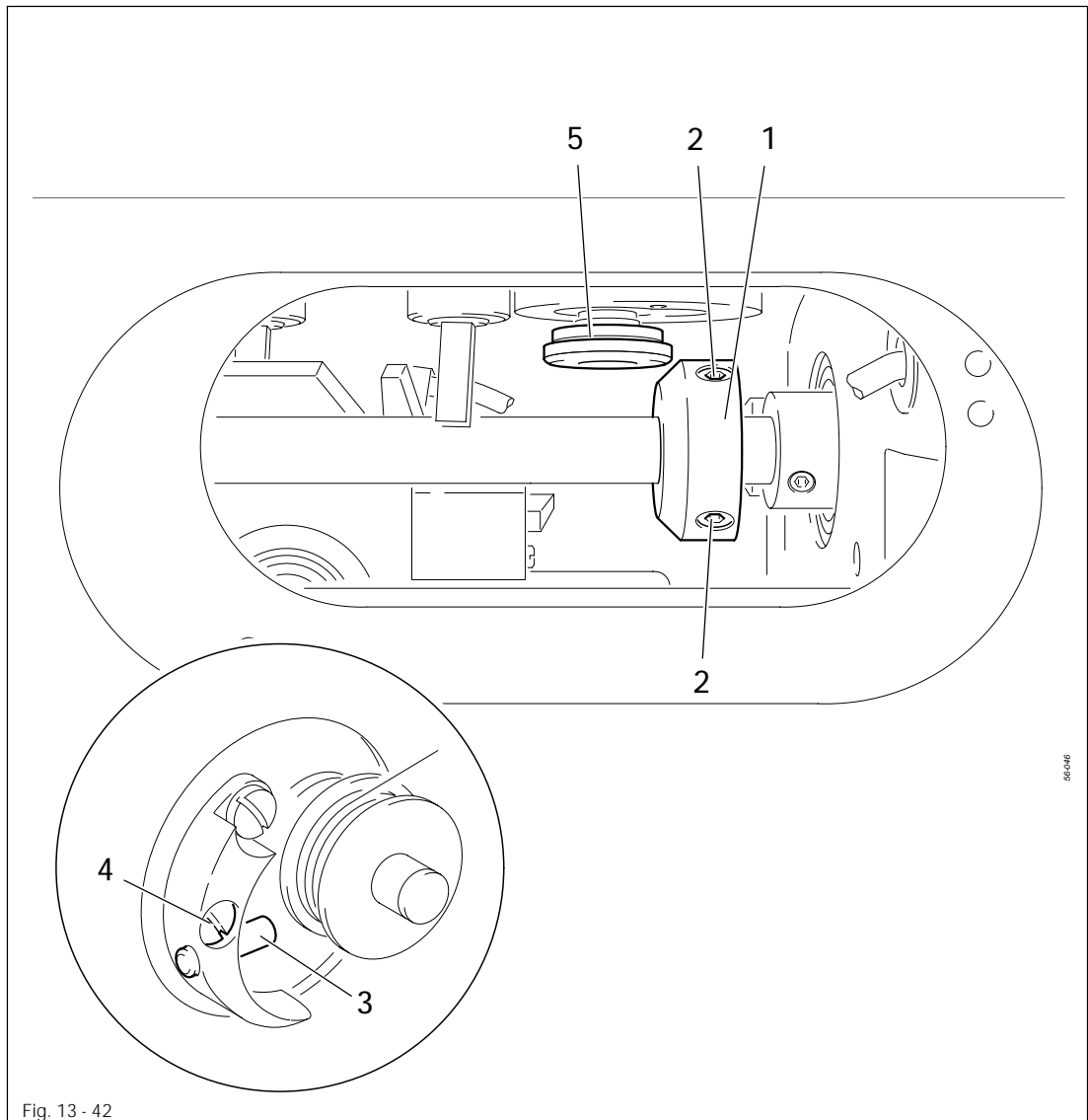
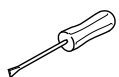


Fig. 13 - 42



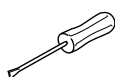
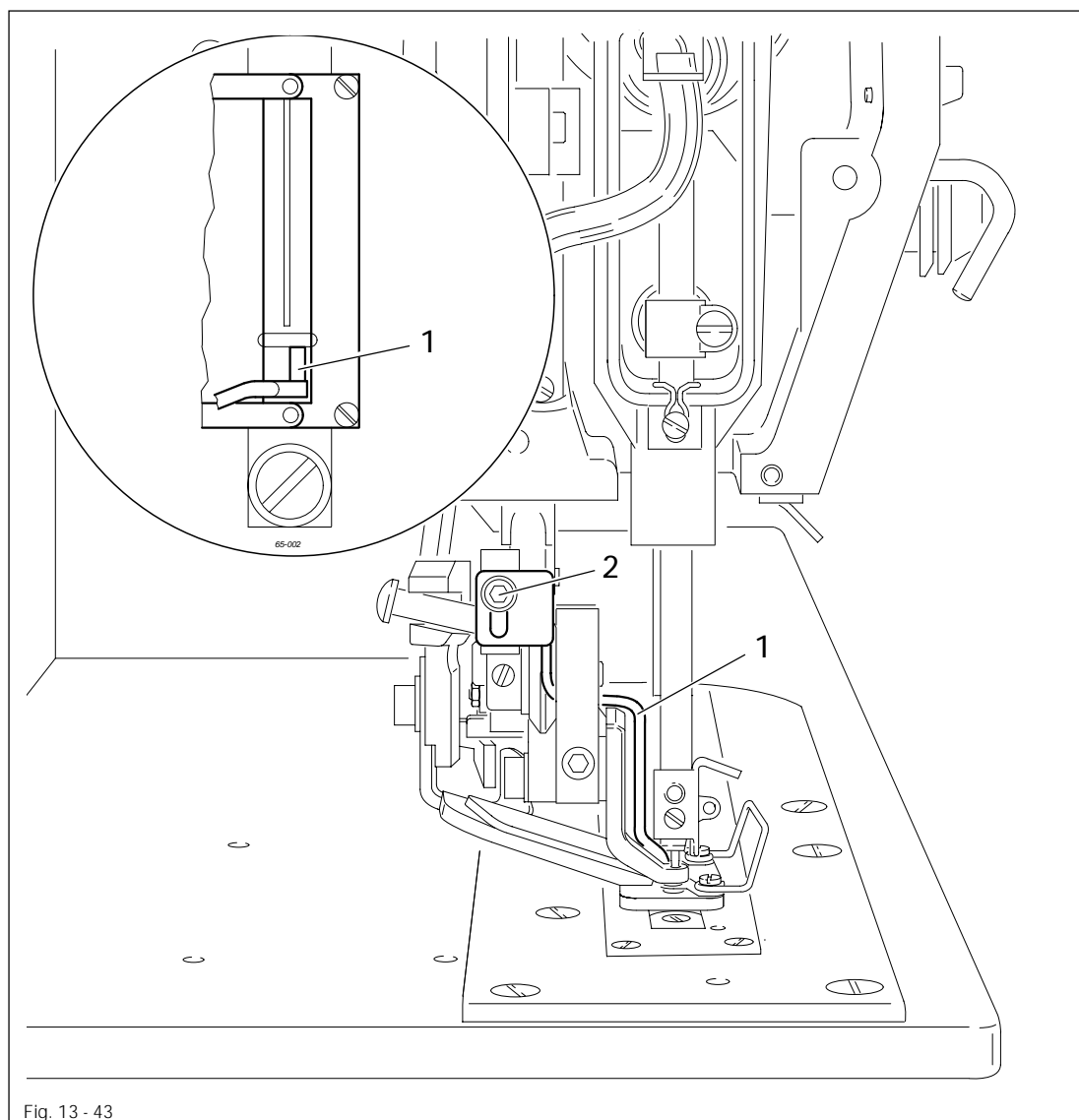
- Adjust drive wheel 1 (screws 2) according to requirements 1 and 2.
- Adjust stud 3 (screw 4) according to requirement 3.

13.45 Retainer position (only for 3119-2/63)

Requirement

Retainer 1 should

1. be positioned parallel to the cutting slot with its front edge flush with the needle hole and
and
2. as near as possible over the workpiece without restricting it.



- Adjust retainer 1 (screw 2) according to the requirements.

13.46 Carrying out a cold start



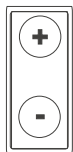
When a cold start is carried out, all newly created or modified programs, and all altered parameter settings are **deleted!**

The machine returns to its state at the time of delivery.

- Switch on the machine.



- Switch to parameter input (LED in key is **not on**).



- Select the function group "600" with the appropriate **plus / minus** key.

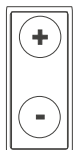
600



- Confirm input with **Enter**.

- Enter the code, see [Chapter 11.03 Entering / altering the access code](#).

601



- Select parameter "608" (carry out a cold start) with the appropriate **plus / minus** key.

608 RESET



- Confirm input with **Enter**.

SWITCH OFF

- Switch the machine off and then on again.

13.47 Parameter settings

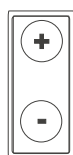
In the list of parameters (see **Chapter 13.47.02**) all alterable machine functions can be found. The alteration method is described below.

13.47.01 Selecting and altering parameters

Example Setting multiple cutting function



- Switch on the machine.
- Switch to parameter input (LED in the key is **not on**).



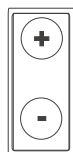
- Select the function group, e.g. "200" with the appropriate **plus / minus** key.

200



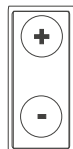
- Confirm input with **Enter**.
- Enter the code, see **Chapter 11.03 Entering / altering the access code**.

201 6.4



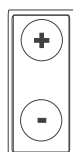
- Select e.g. parameter "207" (multiple cutting) with the appropriate **plus / minus** key.

207 I



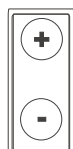
- Switch on the multiple cutting function with the appropriate **plus / minus** key.

207 II



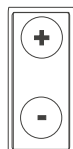
- Select e.g. parameter "208" (knife length and cut overlapping) with the appropriate **plus/minus** key.

208 6.4 0.0



- Select the knife length, e.g. 16.0 mm, with the appropriate **plus / minus** key.

208 16.0 0.0



- Select cut overlapping length, e.g. 0.5 mm, with the appropriate **plus / minus** key.

208 16.0 0.5



- End parameter input by switching to Sewing mode.

13.46.02 List of parameters

| Group | Parameter | Meaning | Setting | Standard value | |
|-------|-----------|---|---|----------------|---|
| 1 | 101 | Knife suppression permanent (I =OFF, II = ON) | I, II | I | |
| | 102 | Stop when needle thread error occurs (I =OFF, II = ON) | I, II | I | |
| | 103 | Display during sewing: (I = buttonhole model, II = speed) | I, II | II | |
| | 104 | Display software version | - | 289/xxx | |
| | 105 | Type of buttonhole Single sewing cycle 1 - Purl seam raised, bartack flat 2 - Flat seam and bartack flat 3 - Purl seam and bartack raised Double sewing cycle 1 - Purl seam raised bartack flat 2 - Purl seam and bartack flat 3 - Purl seam and bartack raised 4 - 1 st cycle flat seam and bartack flat 2 nd cycle purl seam and bartack raised 5 - 1 st cycle flat seam and bartack flat 2 nd cycle purl seam raised, bartack flat | 1 - 5 | 1 | |
| | 106 | Buttonhole model | 1 - 31 | 1 | |
| | 107 | Maximum speed | 500 - 4200 | 4000 | |
| | 108 | Number of securing seam cycles (only buttonhole model 2) | 1-9 | 1 | |
| | 2 | 201 | Delete variable programs | - | - |
| | | 202 | Subclass 1: 3119-1/51 and 1/52 2: 3119-2/51 3: 3119-2/53 4: 3119-3/51 5: 3119-4/51 | 1 - 5 | 1 |
| 203 | | PC-connection | - | - | |
| 204 | | Bobbin thread monitor OFF = 1, ON = II | I, II | I | |
| 205 | | Needle thread monitor OFF = 1, ON = II | I, II | II | |
| 206 | | Copy programs | - | - | |

| Group | Parameter | Meaning | Setting | Standard value |
|-------|-----------------------------|--|-------------------------|----------------|
| 2 | 207 | Multiple cutting OFF = I, ON = II | I, II | I |
| | 208 | Enter knife and cut overlapping length of the fitted knife | 6.4 – 38.1 0.0 - 4.0 | 6.4 0.0 |
| | 209 | Double cycle (stitch divisor) 1 = full no. of stitches per cycle 2 = half no. of stitches per cycle stitch offset from 1 st to 2 nd cycle | 1.2 0.0 – 2.0 | 1 0.3 |
| | 210 | Knife release for multiple cut after "cut on" | 0.0 – 5.0 | 0.5 |
| | | Knife release for single cut after "cut off" | 0.0 – 5.0 | 1.6 |
| 211 | Number of securing stitches | 1 – 3 | 1 | |
| 3 | 301 | Program number | 1 – 39 | 1 |
| | 302 | Cut length (mm) | 6.4 – 38.1 | 12.7 |
| | 303 | Buttonhole model | 1 – 31 | 1 |
| | 304 | Distance of left purl seam from centre of cutting line = distance A (mm) | -2.0 to 2.0 | 0.2 |
| | 305 | Width of left purl seam = width A (mm) | 0.5 – 5.5 | 1.5 |
| | 306 | Length of left purl seam (same length as right purl seam) = length A (mm) | 1.0 – 48.0 | 14.8 |
| | 307 | Number of stitches in left purl seam = number of stitches A | 1 – 255 | 32 |
| | 308 | Secondary thread tension left purl seam (II = on; I = off) | I, II | I |
| | 309 | Width of 1 st bar = width B (mm) | 1.0 – 5.5 | 3.4 |
| | 310 | Second width of 1 st bar = width B1 (mm) | 0.0 – 5.5 | 0.0 |
| | 311 | Length of 1 st bar = length B (mm) | 1.0 – 6.0 | 1.2 |
| | 312 | Second length of 1 st bar = length B1 (mm) | 0.0 – 6.0 | 0.0 |
| | 313 | Number of stitches in 1 st bar = number of stitches B | 1 – 99 | 8 |
| | 314 | Distance of 1 st bar to centre of cutting line = distance B (mm) | -2.0 to 2.0 | 0.0 |
| | 315 | Secondary thread tension of 1 st bar (II = on; I = off) | I, II | II |
| | 316 | Distance of right purl seam from cutting line (needle penetration left) = distance C (mm) | -2.0 to 2.0 | 0.2 |
| | 317 | Width of right purl seam = width C (mm) | 0.5 – 5.5 | 1.5 |

When a button hole requires multiple cutting action, this is the delay of the knife on the first stroke to get a close cut to the first bartack. (left number in the screen).

When a button hole requires multiple cutting action, this is the delay of the knife on the second stroke to get a close cut to the second bartack. (right number in the screen).

Adjustment

| Group | Parameter | Meaning | Setting | Standard value |
|-------|-----------|---|-------------|----------------|
| 3 | 318 | Length of right purl seam (same length as left purl seam) = length C (mm) | 1.0 – 48.0 | 14.8 |
| | 319 | Number of stitches in right purl seam = number of stitches C | 1 – 255 | 32 |
| | 320 | Secondary thread tension right purl seam (II = on; I = off) | I, II | I |
| | 321 | Width of 2 nd bar = width D (mm) | 1.0 – 5.5 | 3.4 |
| | 322 | Second width of 2 nd bar = width D1 (mm) | 0.0 – 5.5 | 0.0 |
| | 323 | Length of 2 nd bar = length D (mm) | 1.0 – 6.0 | 1.2 |
| | 324 | Second length of 2 nd bar = length D1 (mm) | 0.0 – 6.0 | 0.0 |
| | 325 | Number of stitches in second bar = number of stitches D | 1 – 99 | 8 |
| | 326 | Distance of second bar to centre of cutting line = distance D (mm) | -2.0 to 2.0 | 0.0 |
| | 327 | Secondary thread tension of 2 nd bar (II = on; I = off) | I, II | II |
| 4 | 401 | Delay time for raising clamp | 0.00 - 2.00 | 0.10 |
| | 402 | Start delay after lowering clamp | 0.00 - 1.50 | 0.20 |
| | 403 | Cutting time | 0.00 - 2.00 | 0.10 |
| 5 | 501 | Soft start stitches | 0 - 15 | 2 |
| | 502 | Soft start speed | 500 - 4200 | 1500 |
| | 503 | Reduced speed | 500 - 4200 | 3500 |
| | 504 | Suppressed stitches needle thread monitor | 0 - 15 | 3 |
| | 505 | Suppressed stitches bobbin thread monitor | 0 - 15 | 3 |
| 6 | 601 | Move stepping motor work clamp and needle | | |
| | | | | |

| Group | Parameter | Meaning | Setting | Standard value |
|-------|-----------|---|---------|----------------|
| 6 | 602 | Display inputs (0123456789ABCDEF) Meaning of the display: 0 = Error bobbin thread monitor 1 = Error needle thread monitor 2 = Needle in material (NIS) 3 = Reference needle (needle centre) 4 = not assigned (E12) 5 = not assigned (E11) 6 = not assigned (E10) 7 = not assigned (E9) 8 = not assigned (E8) 9 = programmable input 1 (E7) A = programmable input 2 (E6) B = Key for knife suppression on sewing head (E5) C = Basic position knife (E4) D = Clamp lowered (E3) E = Basic position cutter (E2)(Thread scissor) F = Reference clamp (E1) | | |
| 6 | 603 | Switch outputs 1 = programmable output 1 2 = Cutter 3 = Secondary thread tension 4 = Knife 5 = programmable output 2 6 = Clamp (1 = ON; 0 = OFF) | 1.0 | |
| | 604 | | | |
| | 605 | Time when needle is in the material | 0 - 127 | 26 |
| | 606 | Reference point –Needle to work clamp | | |
| | 607 | Turn sewing motor in direction of sewing | | |
| | 608 | Carry out cold start | | |
| | ← 609 | Reference point – machine to motor | | |
| | 610 | Reference point – machine to motor 1 = left purl seam, right needle penetration 2 = right purl seam, right needle penetration 3 = right purl seam, left needle penetration 4 = left purl seam, left needle penetration | 1 - 4 | |
| 7 | 701 | P-quota speed controller | 1 -50 | 10 |
| | 702 | I-quota speed controller | 0 - 100 | 50 |

Set the take-up to stop at final position
2 mm before top dead center

Adjustment

| Group | Parameter | Meaning | Setting | Standard value | |
|-------|-----------|--|------------------------------------|----------------|---|
| 7 | 703 | P-quota position controller | 1 - 50 | 20 | |
| | 704 | D-quota position controller | 1 - 100 | 30 | |
| | 705 | Time for position controller | 0 - 100 | 25 | |
| | 706 | P-quota position controller for rest brake | 1 - 50 | 25 | |
| | 707 | D-quota position controller for rest brake | 1 - 50 | 15 | |
| | 708 | Maximum moment for rest brake | 1 - 50 | 0 | |
| | 709 | Minimum machine speed | 3 - 64 | 6 | |
| | 710 | Maximum machine speed | 1 - 100 | 45 | |
| | 711 | Maximum motor speed | 1 - 100 | 45 | |
| | 712 | Positioning speed | 3 - 25 | 25 | |
| | 713 | Acceleration ramp | 1 - 50 | 35 | |
| | 714 | Brake ramp | 1 - 50 | 30 | |
| | 715 | Reference position | 0 - 127 | 26 | |
| | 716 | Time-out | 0 - 255 | 40 | |
| | 717 | Starting current motor | 3 - 10 | 5 | |
| | 718 | Anti-vibration filter | 1 - 10 | 3 | |
| | 719 | Rotation direction allocation | 0 - 1 | 1 | |
| | 720 | Reserved (do not change!) | 0 - 127 | 64 | |
| | 8 | 801 | Right of access function group 100 | 0 - 1 | 0 |
| | | 802 | Right of access function group 200 | 0 - 1 | 1 |
| 803 | | Right of access function group 300 | 0 - 1 | 1 | |
| 804 | | Right of access function group 400 | 0 - 1 | 1 | |
| 805 | | Right of access function group 500 | 0 - 1 | 1 | |
| 806 | | Right of access function group 600 | 0 - 1 | 1 | |
| 807 | | Right of access function group 700 | 0 - 1 | 1 | |
| 808 | | Right of access function group 800 | 0 - 1 | 1 | |
| 809 | | Right of access keys maximum speed | 0 - 1 | 0 | |
| 810 | | Right of access key cutting length | 0 - 1 | 0 | |

| Group | Parameter | Meaning | Setting | Standard value |
|-------|-----------|---|-----------|----------------|
| 8 | 811 | Right of access key piece counter | 0 - 1 | 0 |
| | 812 | Right of access key reverse counter | 0 - 1 | 0 |
| | 813 | Right of access program key | 0 - 1 | 0 |
| | 814 | Right of access program key 2 | 0 - 1 | 0 |
| | 815 | Right of access program key 3 | 0 - 1 | 0 |
| | 816 | Right of access key buttonhole width | 0 - 1 | 0 |
| | 817 | Right of access key cutting width | 0 - 1 | 0 |
| | 818 | Right of access key double sewing cycle | 0 - 1 | 0 |
| | 819 | Enter access code | 0 to 9999 | 3119 |

13.48 Error messages

| | |
|-----------|--|
| Error 1: | System fault in the control unit |
| Error 2: | Error on sewing motor (with error code) |
| Error 3: | Knife control (e.g. mechanically locked) |
| Error 4: | Cutter control |
| Error 5: | Lift control of work clamp |
| Error 6: | Time control when working through the sewing program |
| Error 7: | Ramp end of stepping motor |
| Error 8: | Stitch length too large |
| Error 9: | Sewing pattern outside area |
| Error 10: | Error when moving the machine into basic position (Home) |
| Error 11: | Stepping frequency of the stepping motor is too high |
| Error 12: | Error in sewing program |
| Error 13: | Sewing area larger than the work clamp cutout |
| Error 14: | Programmable output not activated |
| Error 15: | Programmable input did not arrive |
| Error 16: | Delay time when the sewing drive is running not permitted |
| Error 17: | Cutting before previous sewing |
| Error 18: | Incorrect command in data set |
| Error 19: | Wrong program number |
| Error 20: | Needle thread breakage or needle thread inserted incorrectly |
| Error 21: | Power unit overload (24 V) |
| Error 22: | Incorrect mains voltage |
| Error 23: | 24V power unit too low |
| Error 24: | No stepping motor motion prepared |
| Error 25: | Stepping motor was not started |
| Error 26: | Incorrect knife length for multiple cutting |

14.01 Wearing parts



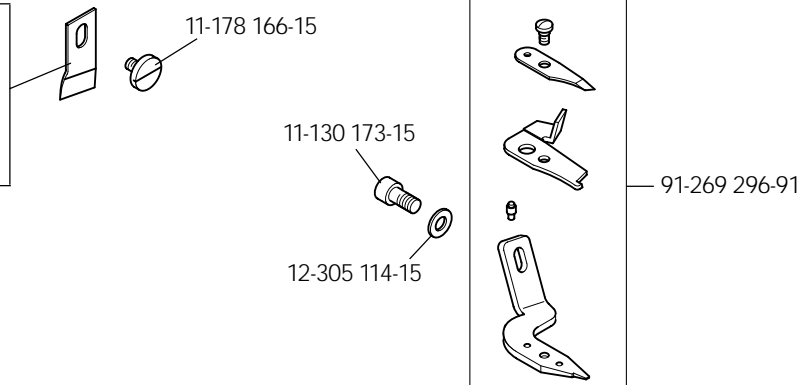
This list indicates the most important wearing parts.

You can request a detailed parts list for the complete machine under parts number 296-12-18 342.

Subclass

- 1/51
- 1/52
- 2/51
- 2/53
- 3/51
- 4/51

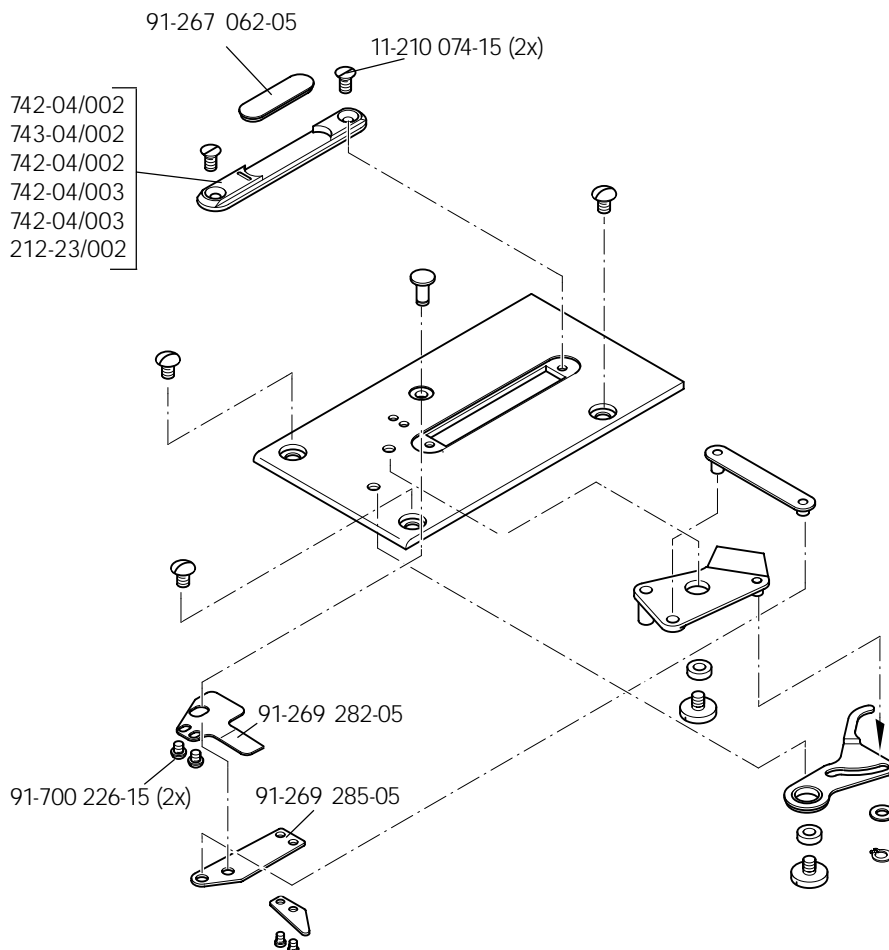
- 91-120 241-04/004
- 91-120 748-04/001
- 91-020 241-04/006
- 91-020 241-04/006
- 91-020 241-04/012
- 91-020 241-04/017



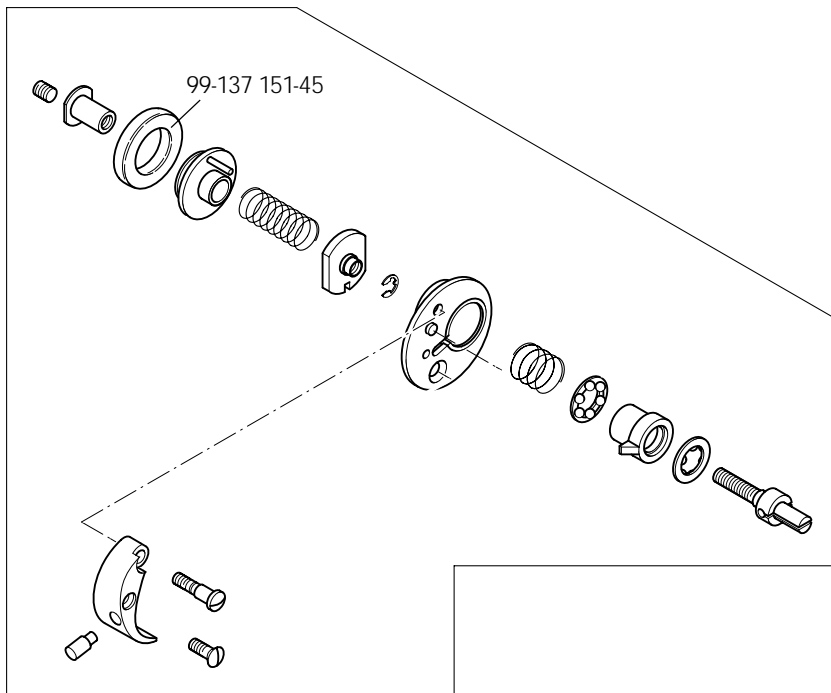
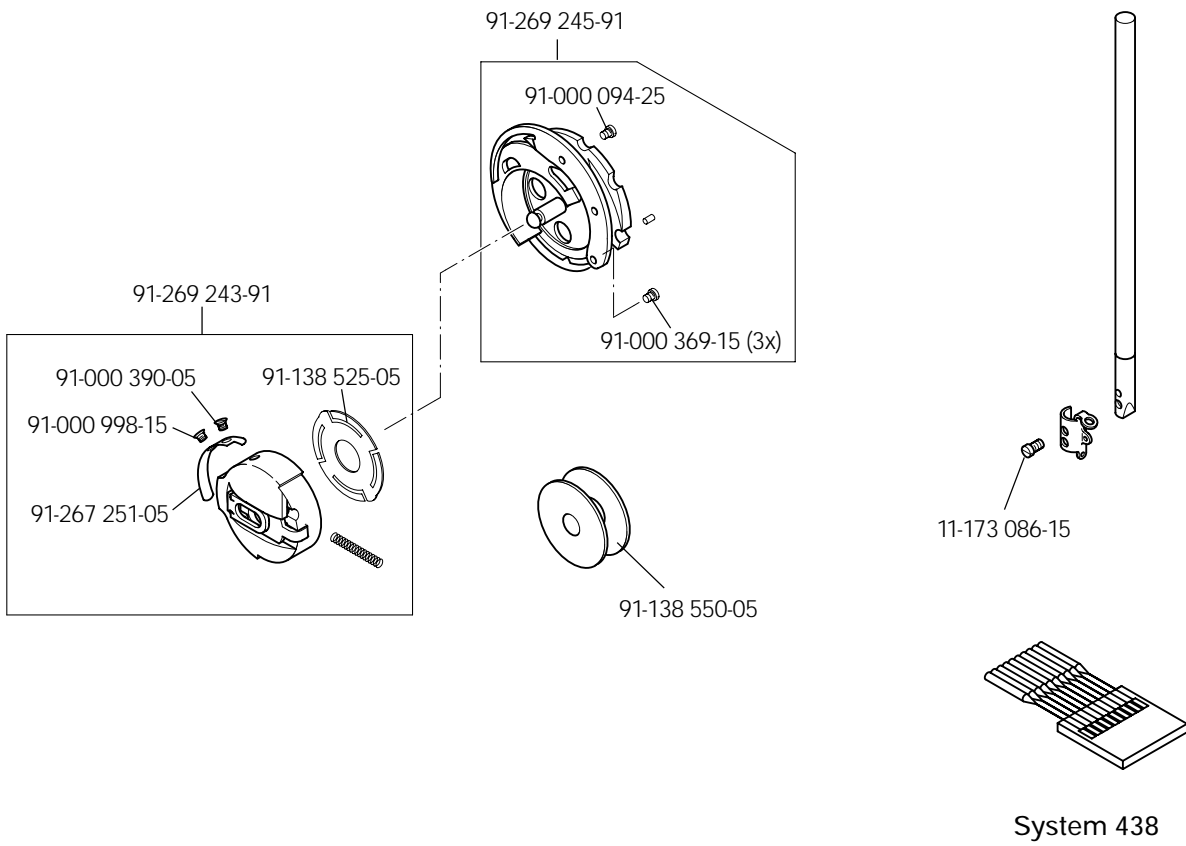
Subclass

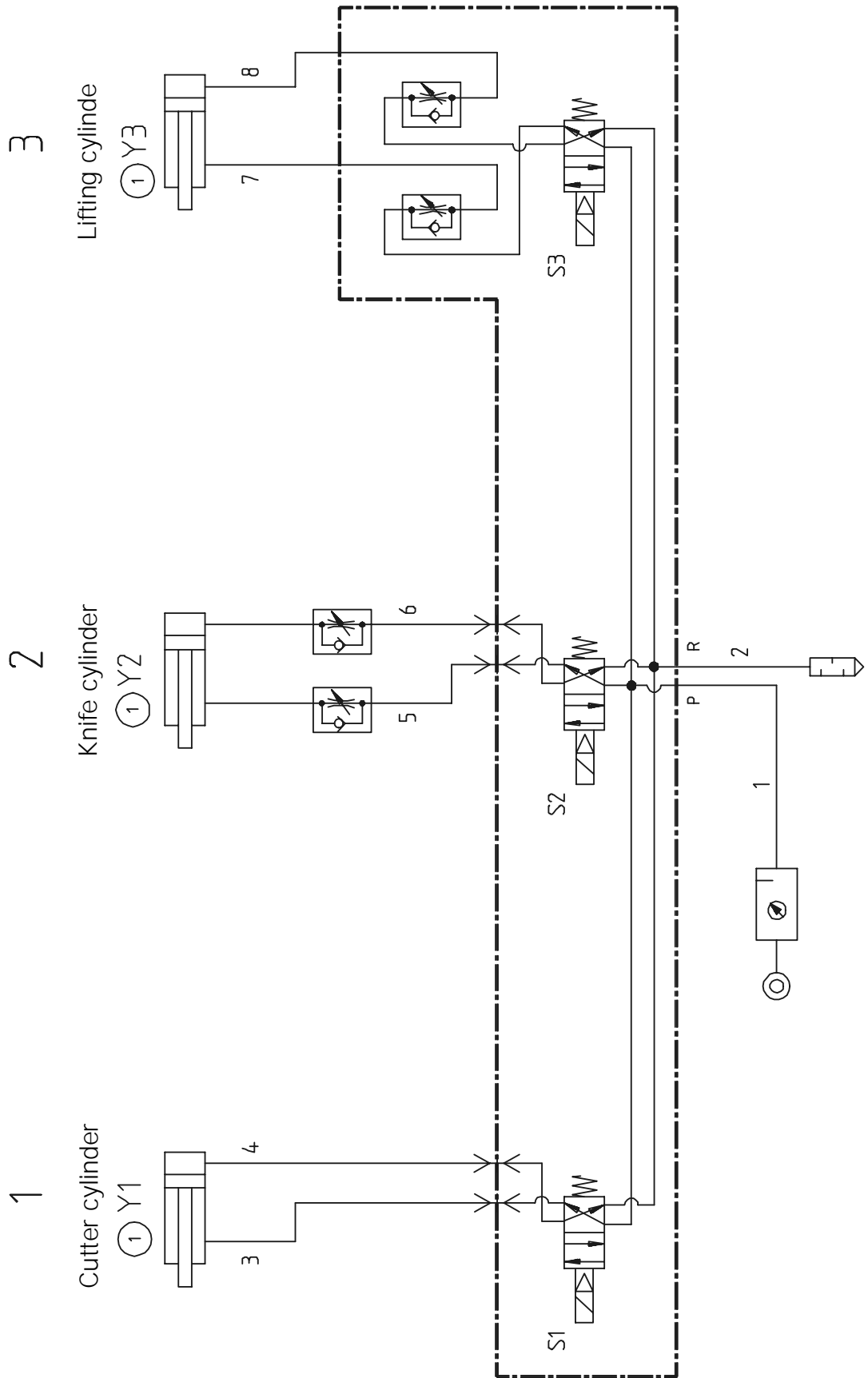
- 1/51
- 1/52
- 2/51
- 2/53
- 3/51
- 4/51

- 91-267 742-04/002
- 91-267 743-04/002
- 91-267 742-04/002
- 91-267 742-04/003
- 91-267 742-04/003
- 91-267 212-23/002



Wearing parts





Reference list for the circuit diagrams

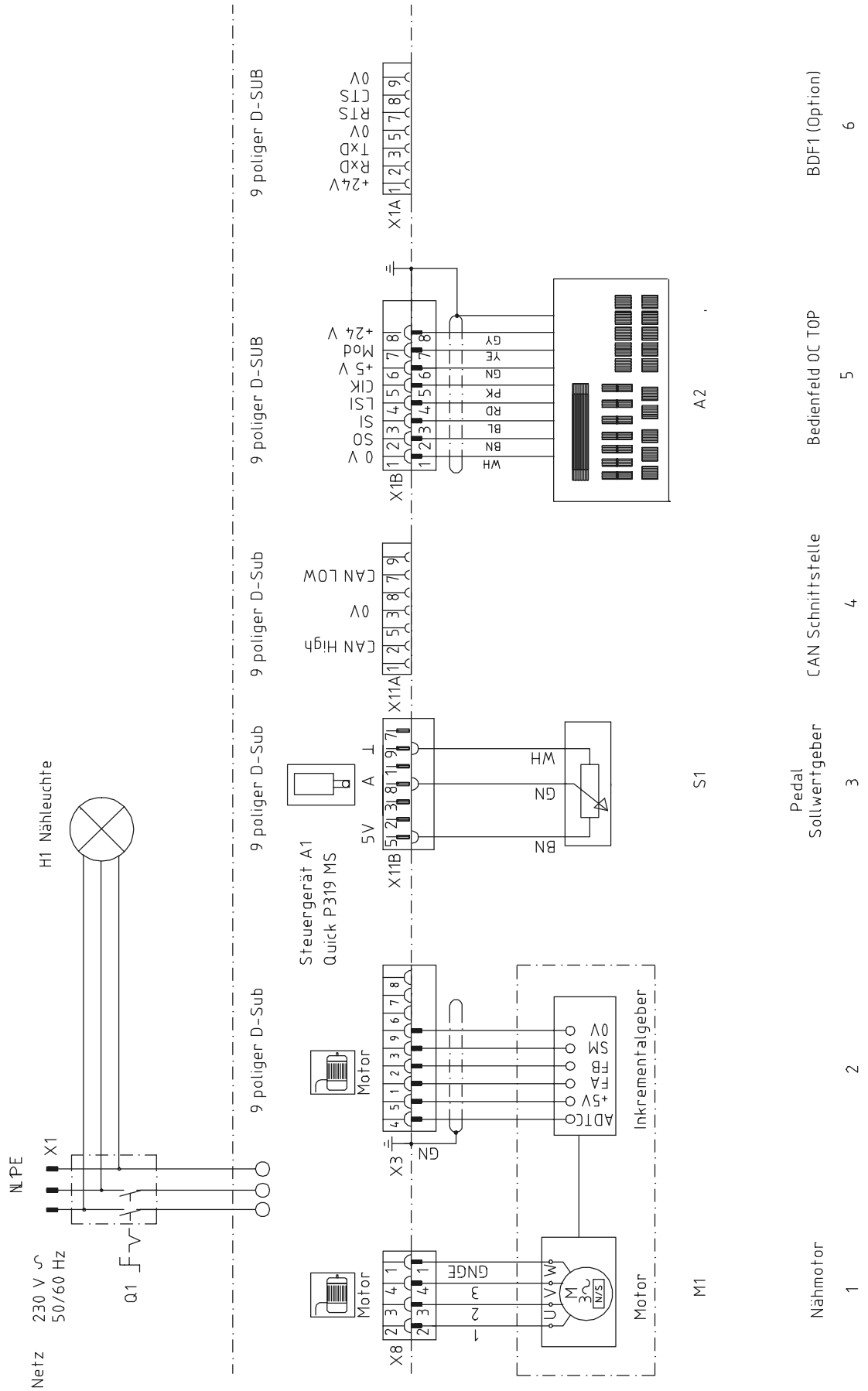
| | |
|----|--------------------------------|
| A1 | Quick controller |
| A2 | OC TOP control panel |
| A3 | Basic position needle pendulum |
| B1 | Thread sensor |
| H1 | Sewing lamp |
| M1 | Sewing motor |
| M2 | Stepping motor needle |
| MS | Stepping motor work clamp |
| Q1 | On/off switch |

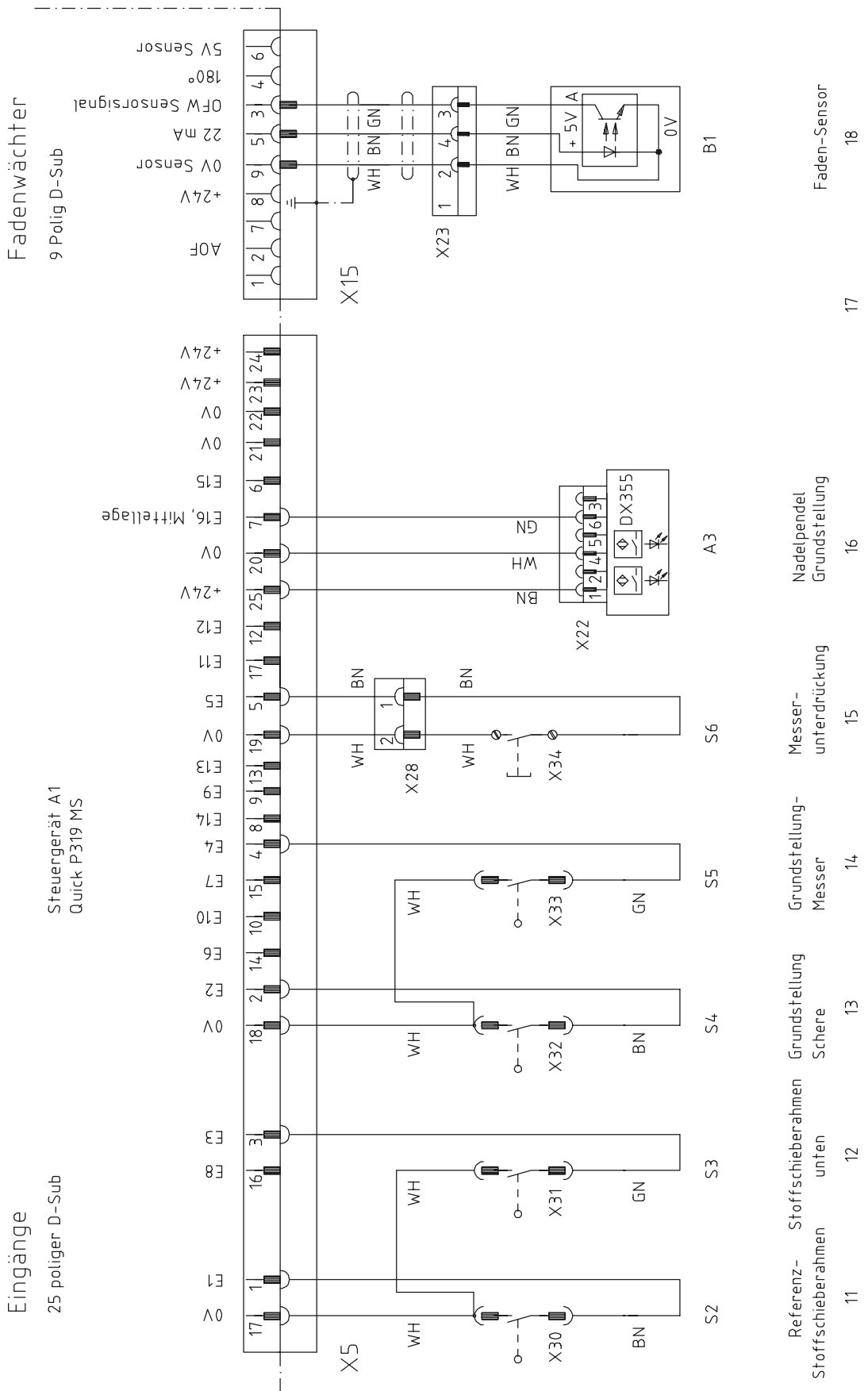
Inputs

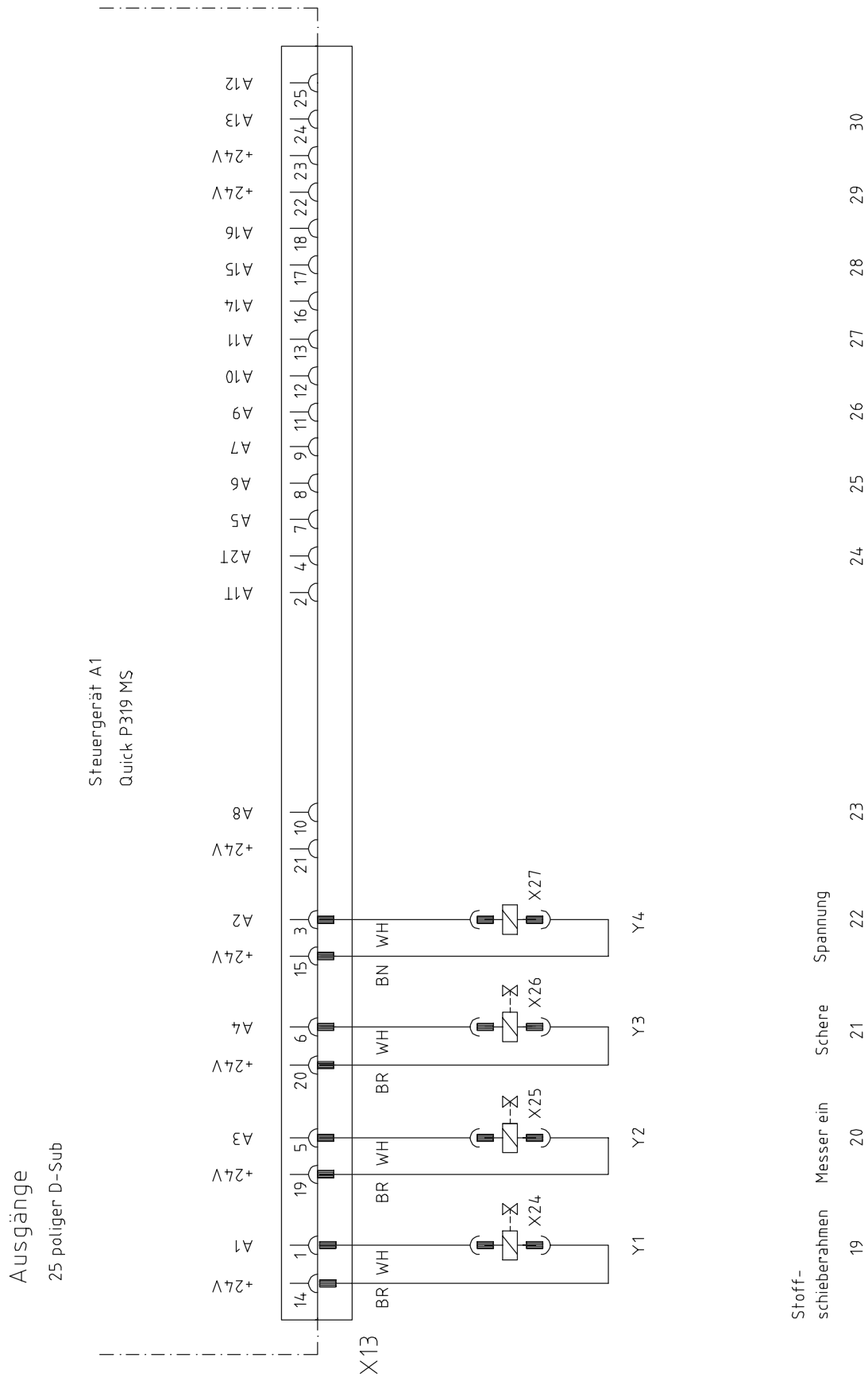
| | |
|----|---------------------------|
| S1 | Command sender foot pedal |
| S2 | Reference work clamp |
| S3 | Work clamp lowered |
| S4 | Basic position cutter |
| S5 | Basic position knife |
| S6 | Knife suppression |

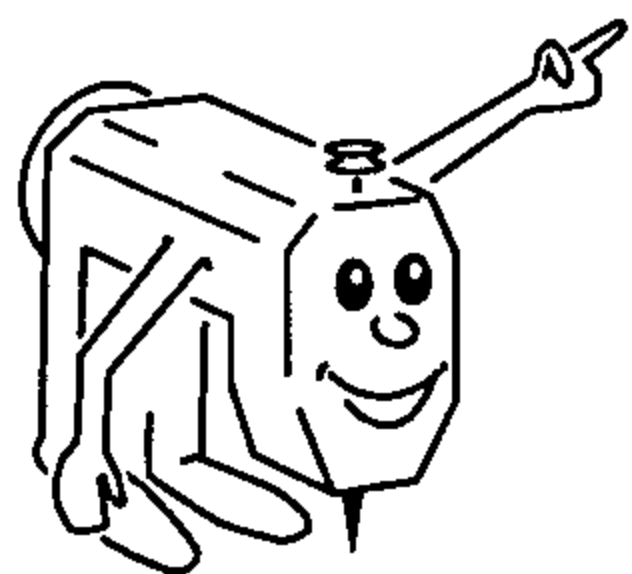
Outputs

| | |
|----|------------|
| Y1 | Work clamp |
| Y2 | Knife on |
| Y3 | Cutter |
| Y4 | Voltage |









Notice

Use a piece of paper like a calling card

Go to parameter 606 and with the foot down

set parameter to 0, -40, and +40 and do the

needle penetrations.

Be sure to set parameter 606 back to (0)

A series of horizontal lines for writing, starting from the first line below the 'Be sure to set parameter 606 back to (0)' instruction and extending to the bottom of the page.

PFAFF

**G.M. PFAFF KAISERSLAUTERN
INDUSTRIEMASCHINEN AG**

Postfach 3020
D-67653 Kaiserslautern

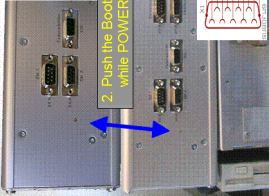
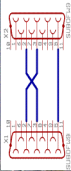
Königstr. 154
D-67655 Kaiserslautern

Telefon: (0631) 200-0
Telefax: (0631) 17202
E-Mail: info@pfaff-industrial.com

Gedruckt in der BRD
Printed in Germany
Imprimé en R.F.A.
Impreso en la R.F.A.

1. Connect a serial cable to the RS232 socket

2. Push the Boot-knob while POWER ON



Kurzschluss-Stecker
schliessen

