

PFAFF

3371-10/..

Adjustment Manual

This Adjustment manual applies to machines from software version **0300/015** and serial number **60 801 005** onwards.

The reprinting, copying or translation of PFAFF Adjustment Manuals, whether in whole or in part, is only permitted with our previous authorization and with written reference to the source.

PFAFF Industrie Maschinen AG

Postfach 3020

D-67653 Kaiserslautern

Königstr. 154

D-67655 Kaiserslautern

Contents		Chapter – Page
15	Adjustment	1
15.01	Notes on adjustment	1
15.02	Tools, gauges and other accessories	1
15.03	Abbreviations	1
15.04	Explanation of the symbols	1
15.05	Basic position of the machine	2
15.06	Button clamp zero point	3
15.07	Aligning the feeder	5
15.08	Aligning the button clamp	7
15.09	Hook driver	8
15.10	Needle height	9
15.11	Hook-to-needle clearance	10
15.12	Needle rise and needle guard	11
15.13	Aligning the hook race cover	12
15.14	Button clamp height	13
15.15	Button clamp pressure	14
15.16	Position of the thread wiper	15
15.17	Position of the control cam	16
15.18	Position of the control roller	17
15.19	Position of the drive shaft of the thread trimmer	18
15.20	Aligning the stop plate	19
15.21	Adjusting the trimmer solenoid	20
15.22	Adjusting the engaging lever	21
15.23	Position of the thread catcher and knife	22
15.24	Position of the release trip	23
15.25	Position of the release catch	24
15.26	Needle thread tension release	25
15.27	Thread check spring and thread regulator	26
15.28	Bobbin winder drive wheel	27
15.29	Button clamp initiator	28
15.30	Changing the feeder and the jaws of the button clamp	29
15.31	Cold start	30
15.32	Internet update of the machine software	31
15.33	List of parameters	32
15.34	Error messages on the display	40
15.35	Sewing motor errors	41
15.36	OTE-errors	41
16	Circuit diagrams	42

15 Adjustment



Please observe all notes from **Chapter 1 Safety** of the instruction manual! In particular care must be taken to see that all protective devices are refitted properly after adjustment, see **Chapter 1.06 Danger warnings** of the instruction manual!



If not otherwise stated, the machine must be disconnected from the electrical power supply.

15.01 Notes on adjustment

All following adjustments are based on a fully assembled machine and may only be carried out by expert staff trained for this purpose.

Machine covers, which have to be removed and replaced to carry out checks and adjustments, are not mentioned in the text.

The order of the following chapters corresponds to the most logical work sequence for machines which have to be completely adjusted. If only specific individual work steps are carried out, both the preceding and following chapters must be observed.

Screws, nuts indicated in brackets () are fastenings for machine parts, which must be loosened before adjustment and tightened again afterwards.

15.02 Tools, gauges and other accessories

- 1 set of screwdrivers with blade widths from 2 to 10 mm
- 1 set of spanners with jaw widths from 7 to 14 mm
- 1 set of Allen keys from 1.5 to 6 mm
- 1 metal ruler, part no. 08-880 218-00
- 1 machine zero point gauge, part number 61-111 637-08
- 1 gauge button, part number 61-111 635-6

15.03 Abbreviations

t.d.c. = top dead centre

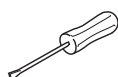
b.d.c. = bottom dead centre

15.04 Explanation of the symbols

In this adjustment manual, symbols emphasize operations to be carried out or important information. The symbols used have the following meaning:



Note, information

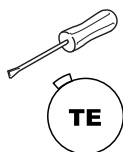
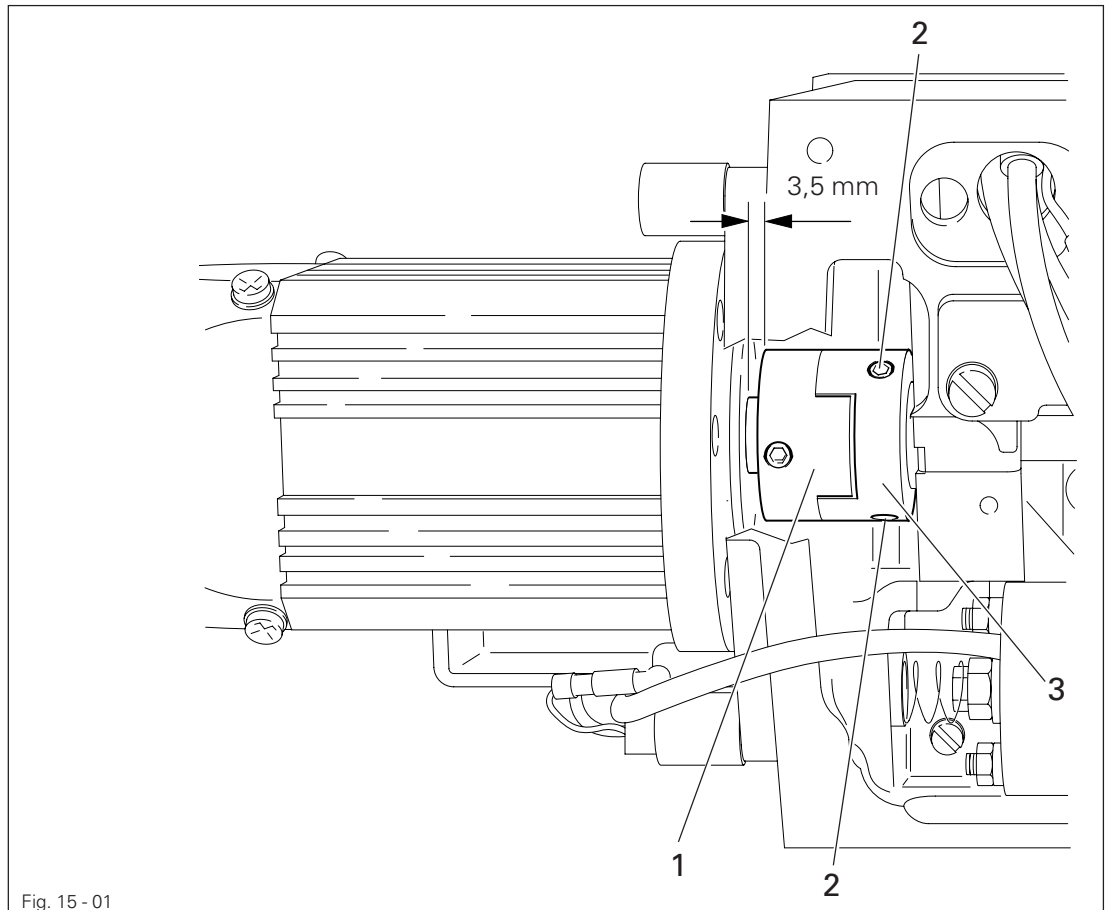


Service, repair, adjustment, maintenance
(work to be carried out by qualified staff only)

15.05 Basic position of the machine

Requirement

After being switched on the machine should position approx. 3 – 4 mm before t.d.c. take-up lever.



- Switch on the machine.
- Press the **TE** key.
- Select parameter **605** with the corresponding +/- key.
- Press pedal forwards once briefly (machine positions in t.d.c. needle).
- Hold clutch **1** (screws **2**) and bring the needle bar into the appropriate position by turning the balance wheel.
- Press pedal forwards again to re-check the position set.
- Conclude the adjustment by operating the **TE** key.



The distance from the clutch **1** to the motor plate should be **3.5 mm**.

In the direction of rotation the second screw of the clutch section **3** should be on the surface of the motor shaft.

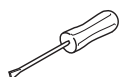
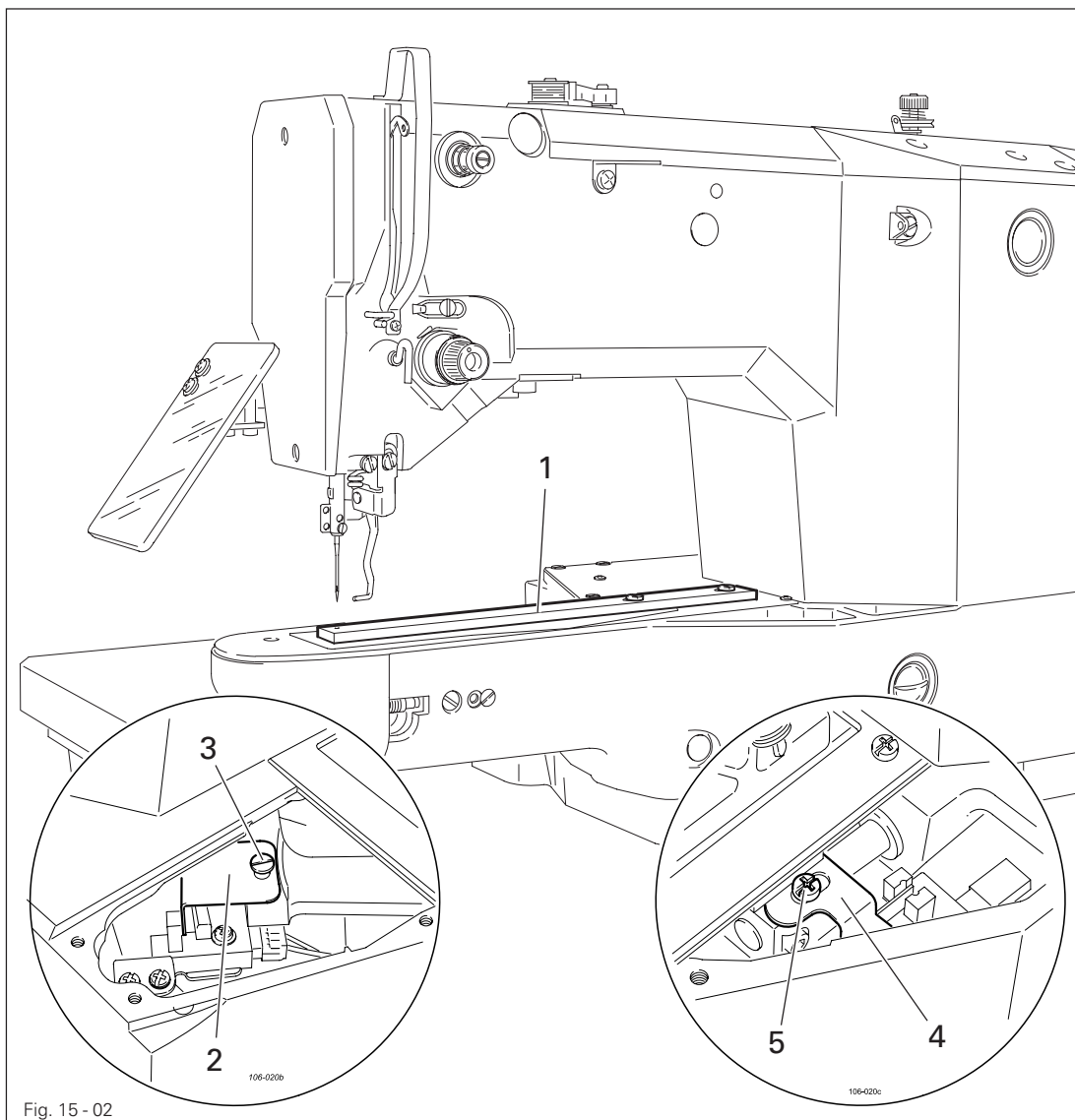
The clutch section **1** should be touching the O-ring of the axial bearing.

15.06 Button clamp zero point

Requirement

After the machine has been switched on and parameter "608" selected,

1. the needle should be centred to the hole in the adjustment gauge,
2. the switch lugs **2** and **4** should be centred to the respective initiator.



- Remove the button clamp holder and the lower feed plate .
- Screw adjustment gauge **1** (part no. 61-111 637-08) to the button clamp drive unit.

Preliminary adjustment

- Move the button clamp drive unit by hand in accordance with **requirement 1**.
- Adjust switch lug **2** (screw **3**) and switch lug **4** (screw **5**) in accordance with **requirement 2**.

Fine adjustment

- Switch on the machine.
- In the input mode, select parameter "608", see **Chapter 11.03 Parameter input** in the instruction manual.

- If necessary, enter the access code, see **Chapter 11.05.01 Entering the access code** in the instruction manual.



- With the corresponding +/- key move the button clamp drive unit in accordance with **requirement 1**, also see **Chapter 11.03 Parameter input**.



- Switch off the machine.
- Remove adjustment gauge 1.
- Fit the lower feed plate and button clamp holder.

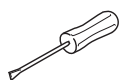
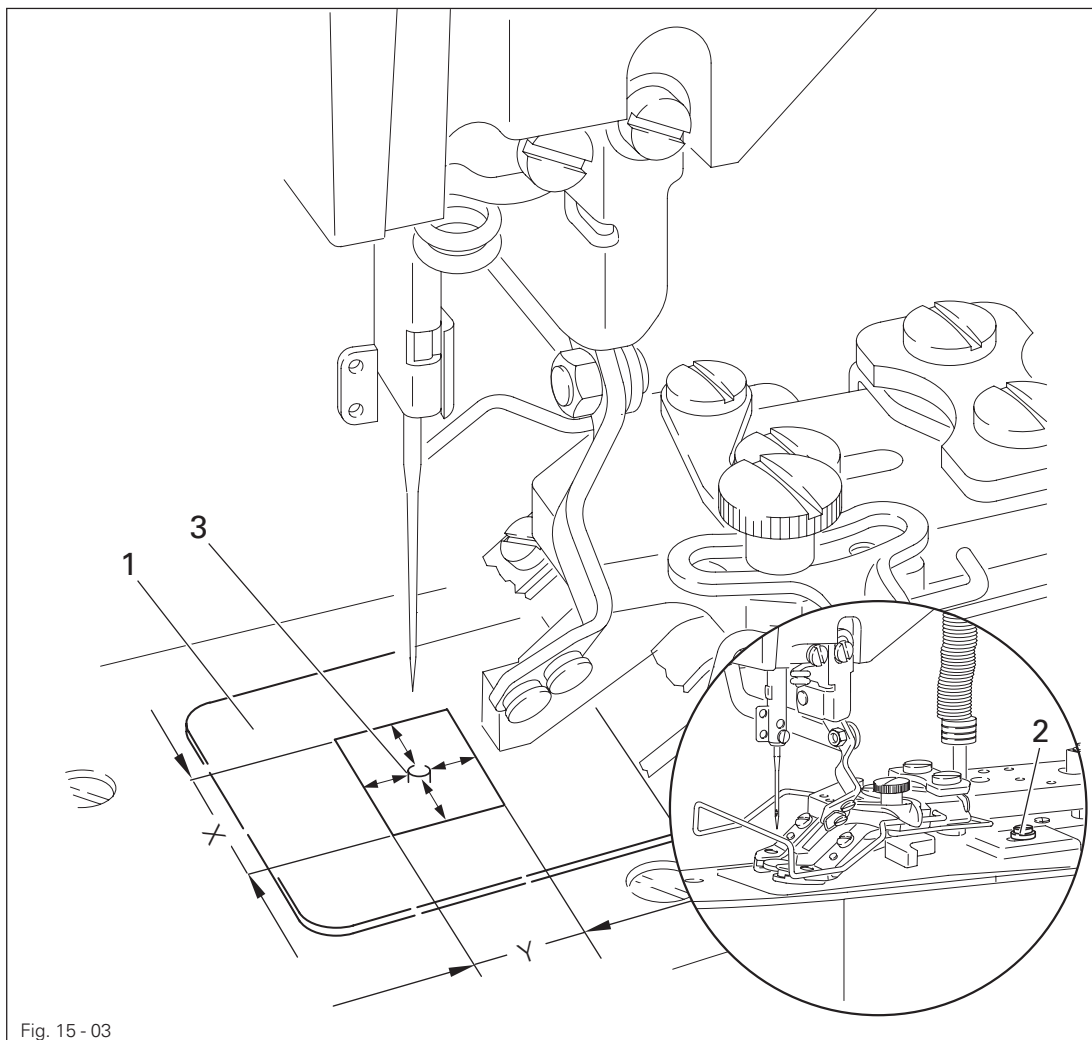


If, during the fine adjustment, the setting is ± 5 increments above or below the value in X- and Y-direction, the setting should be checked again in accordance with **requirement 2**.

15.07 Aligning the feeder

Regel

The feeder should be aligned in the "X and Y direction" in such a way that the feeder cut-out does not touch the raised needle hole 3 during sewing.






- Switch on the machine.
- Set the sewing area size (see Chapter 9.07 Adjusting the size of sewing area in the instruction manual)
- In the input mode, select parameter "610", see Chapter 11.03 Parameter input in the instruction manual
- If necessary, enter the access code, see Chapter 11.04.01 Entering the access code in the instruction manual.
- Align feeder 1 (screw 2) so that the raised needle hole 3 is positioned in the centre of the feeder cutout.

Checking the "Y-direction"

- ⊕ ● To check this adjustment, move along the maximum set sewing area size in "Y-direction" by pressing the corresponding +/- keys (readjust if necessary).
- ⊖

- Call up parameter "609".

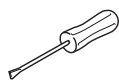
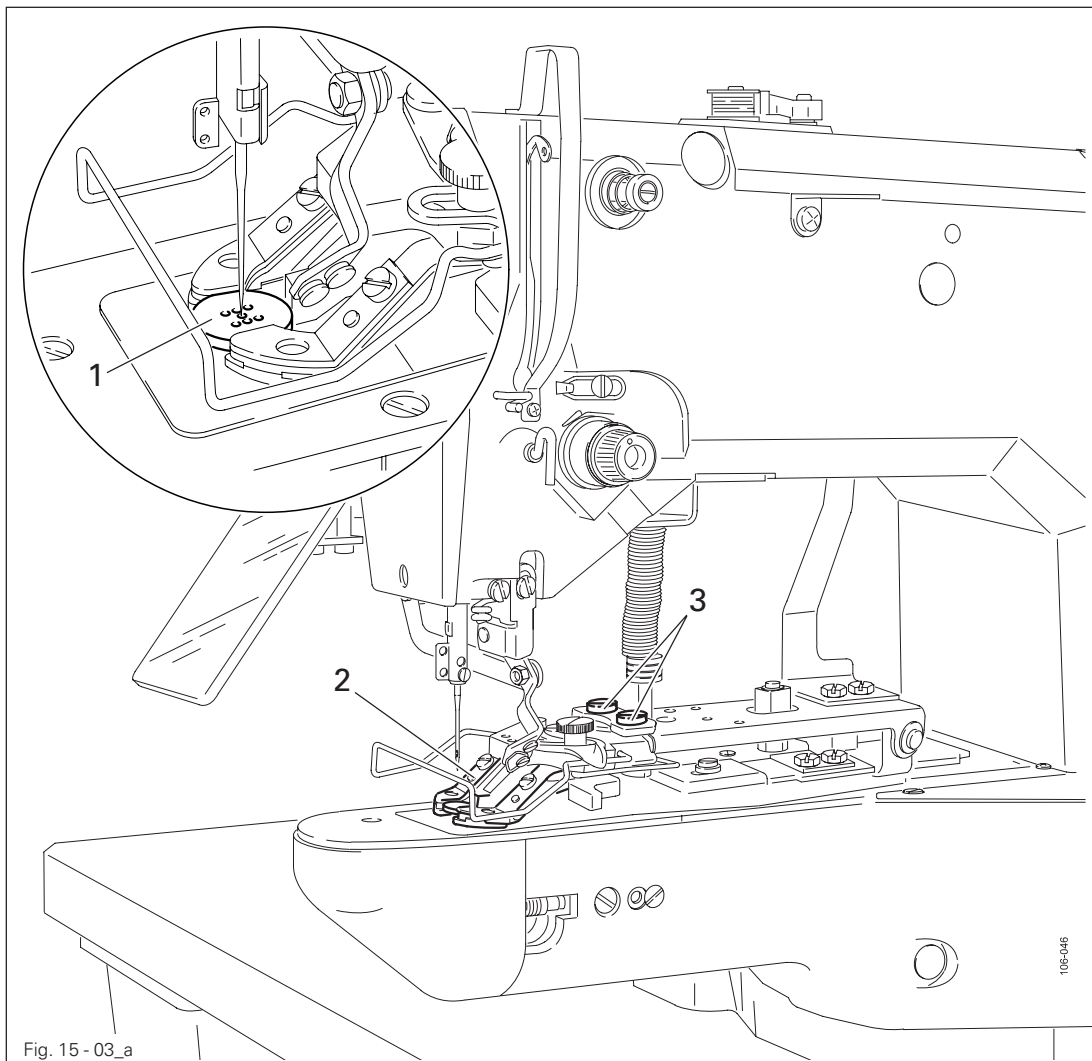
Checking the "X-direction"

-  Move along the maximum set sewing area size in "X-direction" by pressing the corresponding +/- keys.
-  If necessary adjust the position of feeder 1 by entering a correction value "X" with the corresponding +/- keys in "X-direction" in accordance with the requirement.
-  Conclude the input.

15.08 Aligning the button clamp

Requirement

The button clamp should be aligned in "X" and "Y" direction, so that the needle penetrates the centre of the gauge button.



- Insert gauge button **1** (part number 61-111 635-66) and switch on the machine.
- In the input mode select parameter "609", see **Chapter 11.03 Parameter input** of the instruction manual (machine moves to "0-position").
- If necessary, enter the access code, see **Chapter 11.05.01 Entering the access code** in the instruction manual.
- Adjust button clamp **2** (screws **3**) in "X and Y direction" in accordance with the **requirement**.

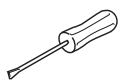
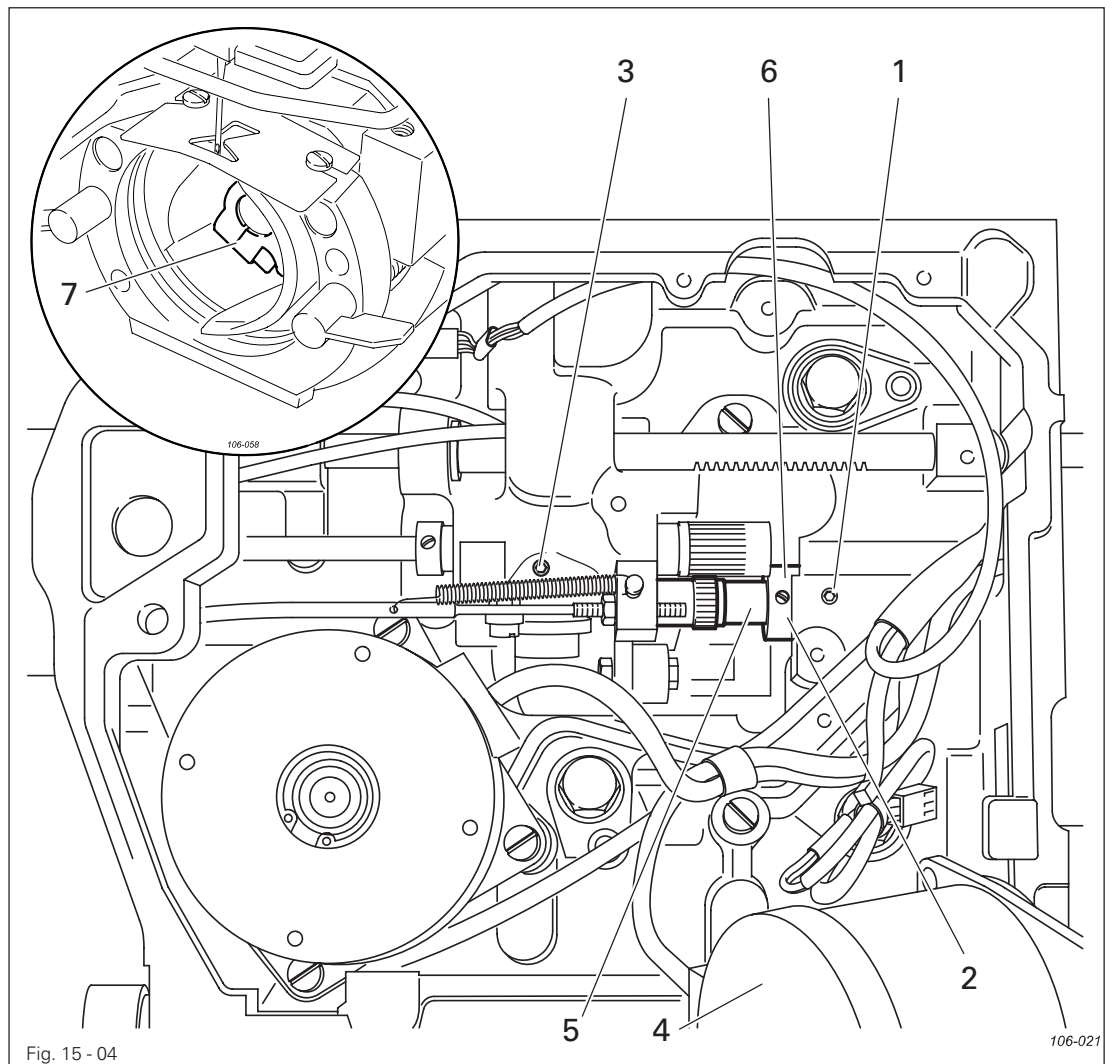


- Conclude the input, remove the gauge button and switch off the machine.

15.09 Hook driver

Requirement

1. When the balance wheel is turned, the machine should not bind.
2. The play of catch **7** should be less than **0.1 mm**.



- Remove the hook.
- Loosen screws **1**, **2** and **3** (remove motor **4**).
- Move the eccentric shaft **5** in accordance with **requirement 1** and twist it in accordance with **requirement 2**.
- Tighten screws **1** and **3**.
- Move adjustment ring **6** against the metal edge and tighten screw **2**.
- Insert the hook.

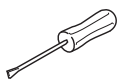
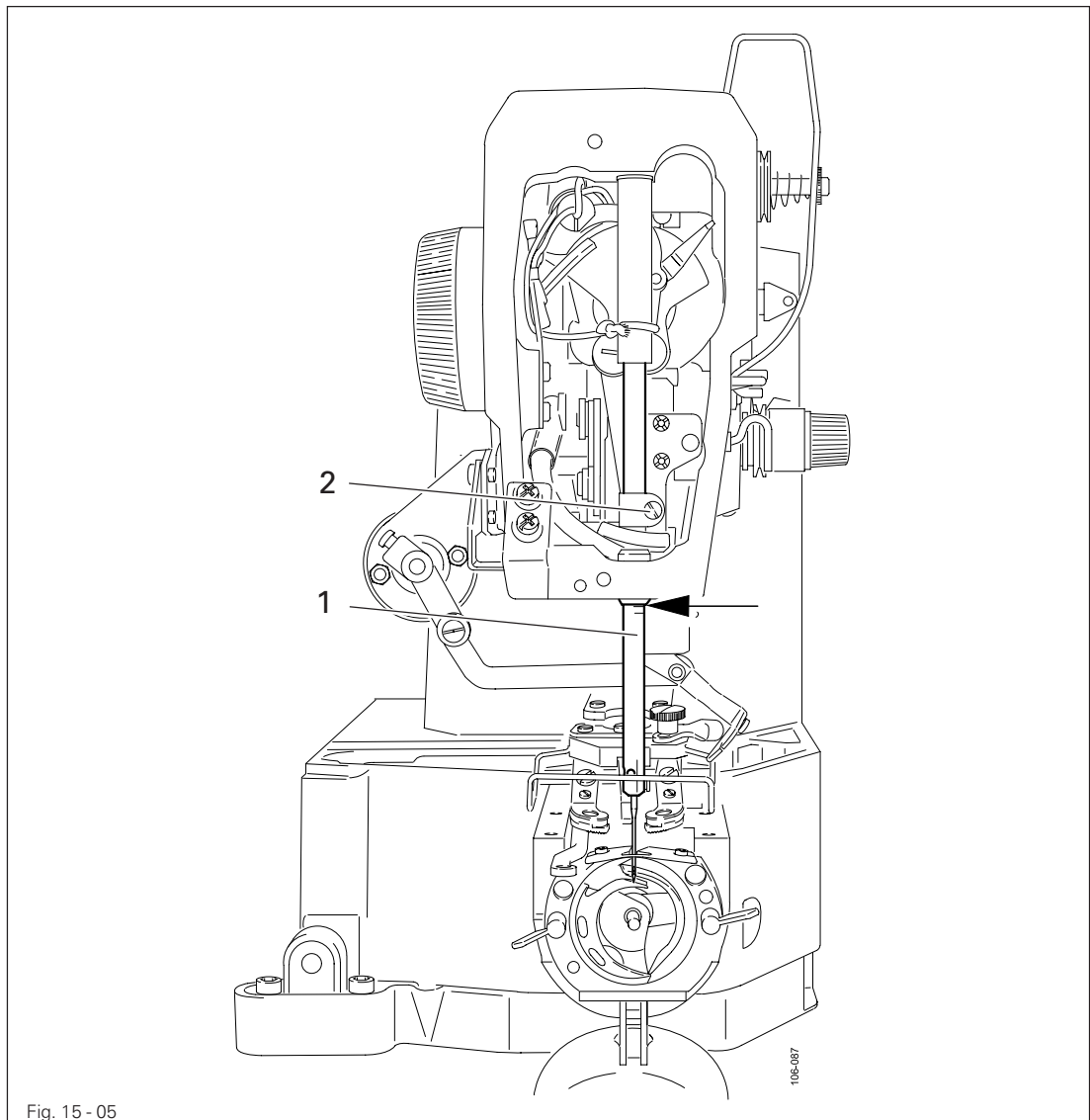


If catch **7** has too much play, the running noise of the machine increases. Too little play may cause the machine to jam.

15.10 Needle height

Requirement

With the needle bar in b.d.c., the upper marking on the needle bar 1 should be flush with the lower edge of the needle bar bush.



- Adjust needle bar 1 (screw 2) in accordance with the **requirement**.

15.11 Hook-to-needle clearance

Requirement

When the bottom marking of the ascending needle bar is level with the lower edge of the needle bar bush

1. the hook point **5** should be at a distance of **0.05 – 0,1 mm** from the needle groove.
2. the distance between the needle and the tip of the hook race should be **7.5 mm**.

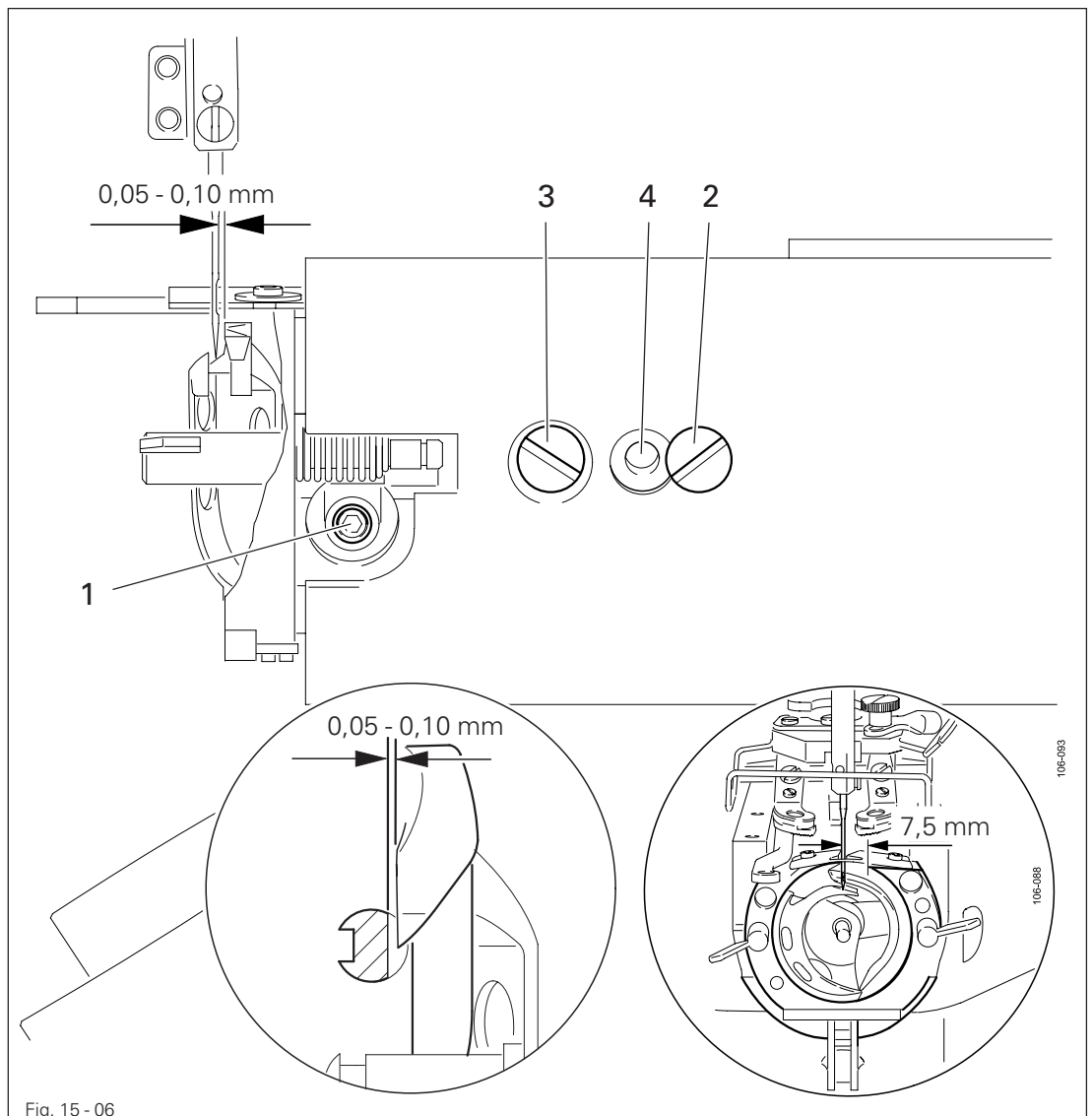
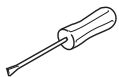


Fig. 15 - 06



- Loosen screws **1**, **2** and **3**.
- Turn the eccentric pin **4** in accordance with the **requirements**.
- Tighten screws **2** and **3**.



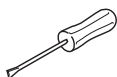
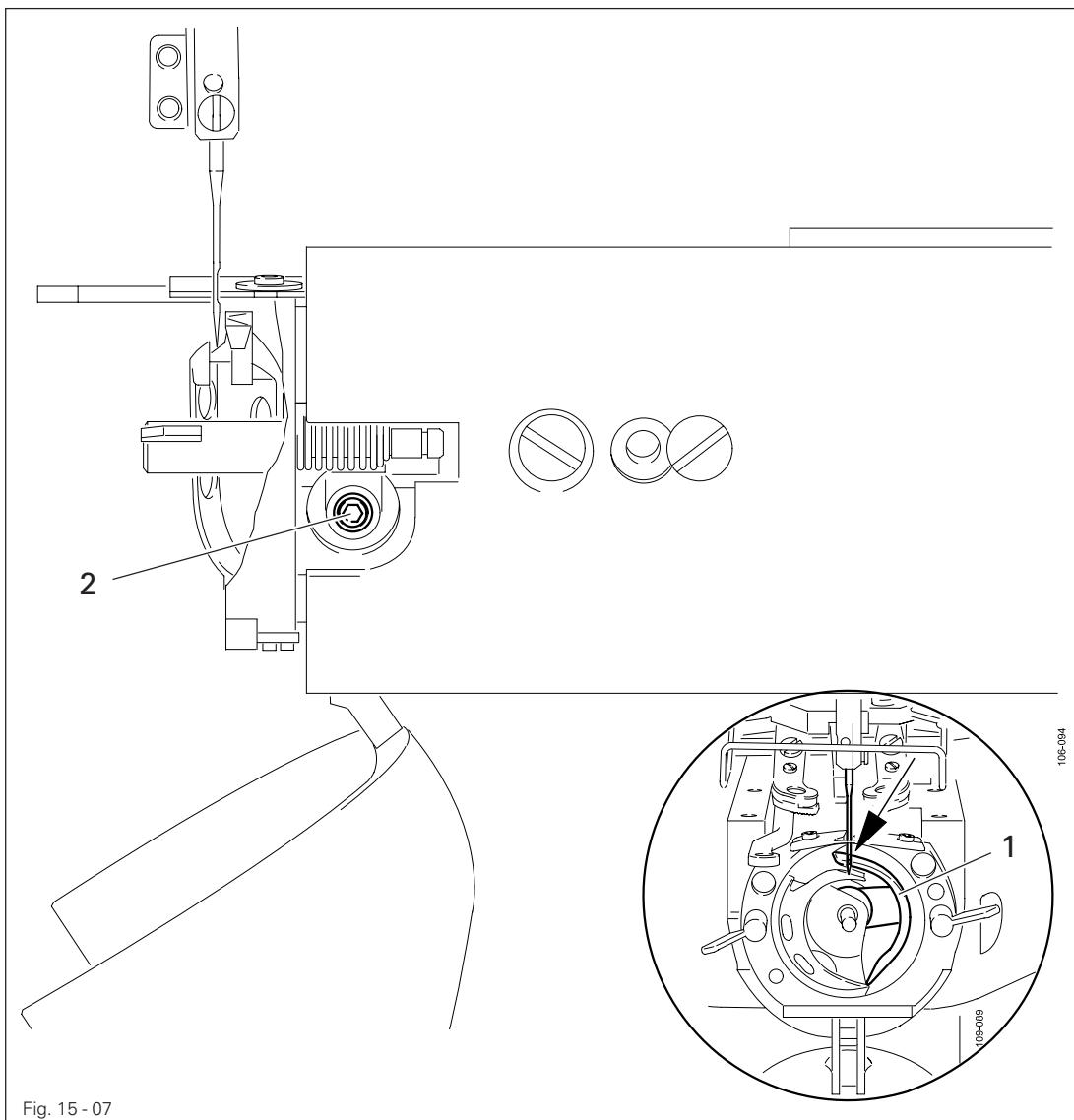
Screw **1** remains loosened for further adjustments.

15.12 Needle rise and needle guard

Requirement

When the bottom marking of the ascending needle bar is level with the lower edge of the needle bar bush

1. the hook point should be centred to the needle and
2. the needle guard (see arrow) should slightly touch the needle.

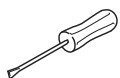
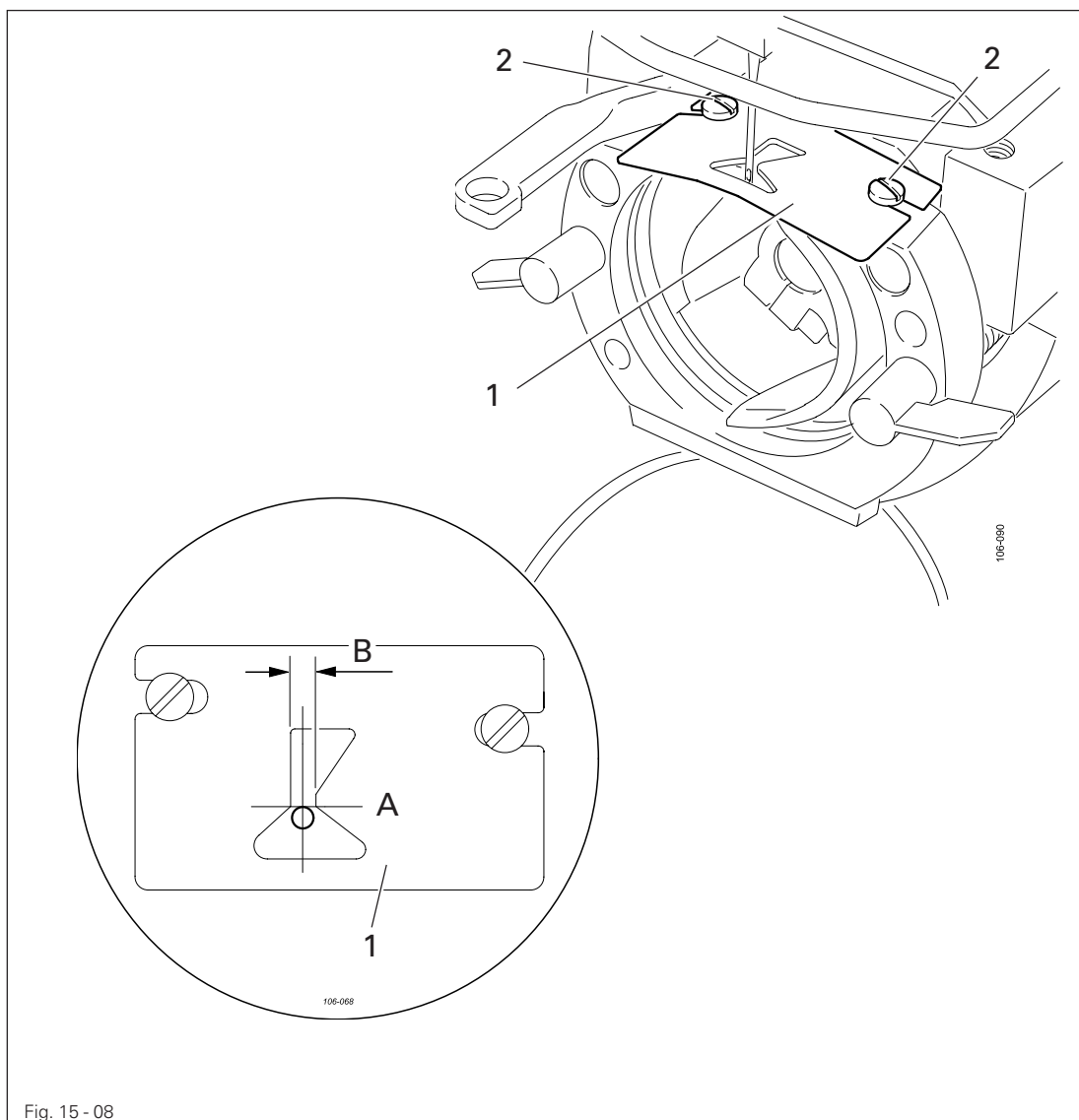


- Turn catch 1 (screw 2) in accordance with **requirement 1**, or move it in accordance with **requirement 2**.

15.13 Aligning the hook race cover

Requirement

The needle should be centred to cutout **B** and the rear side of the needle flush to the imaginary line **A**.

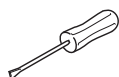
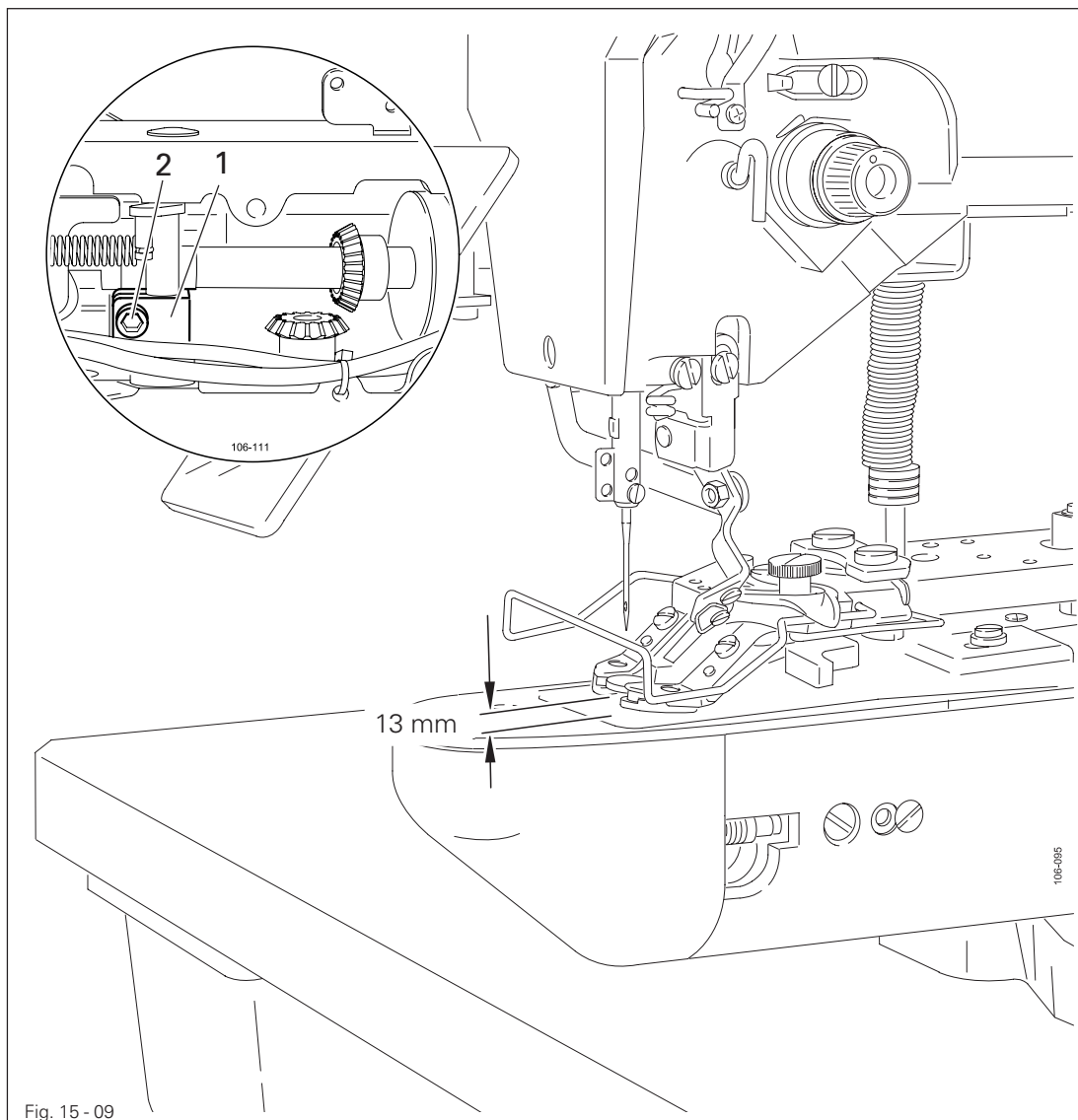


- Move the hook race cover 1 (screws 2) in accordance with the requirement.

15.14 Button clamp height

Requirement

The button clamp should be 13 mm above the upper edge of the needle plate.



- Turn lever 1 (nut 2 and screw 3) in accordance with **requirement** .

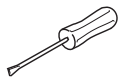
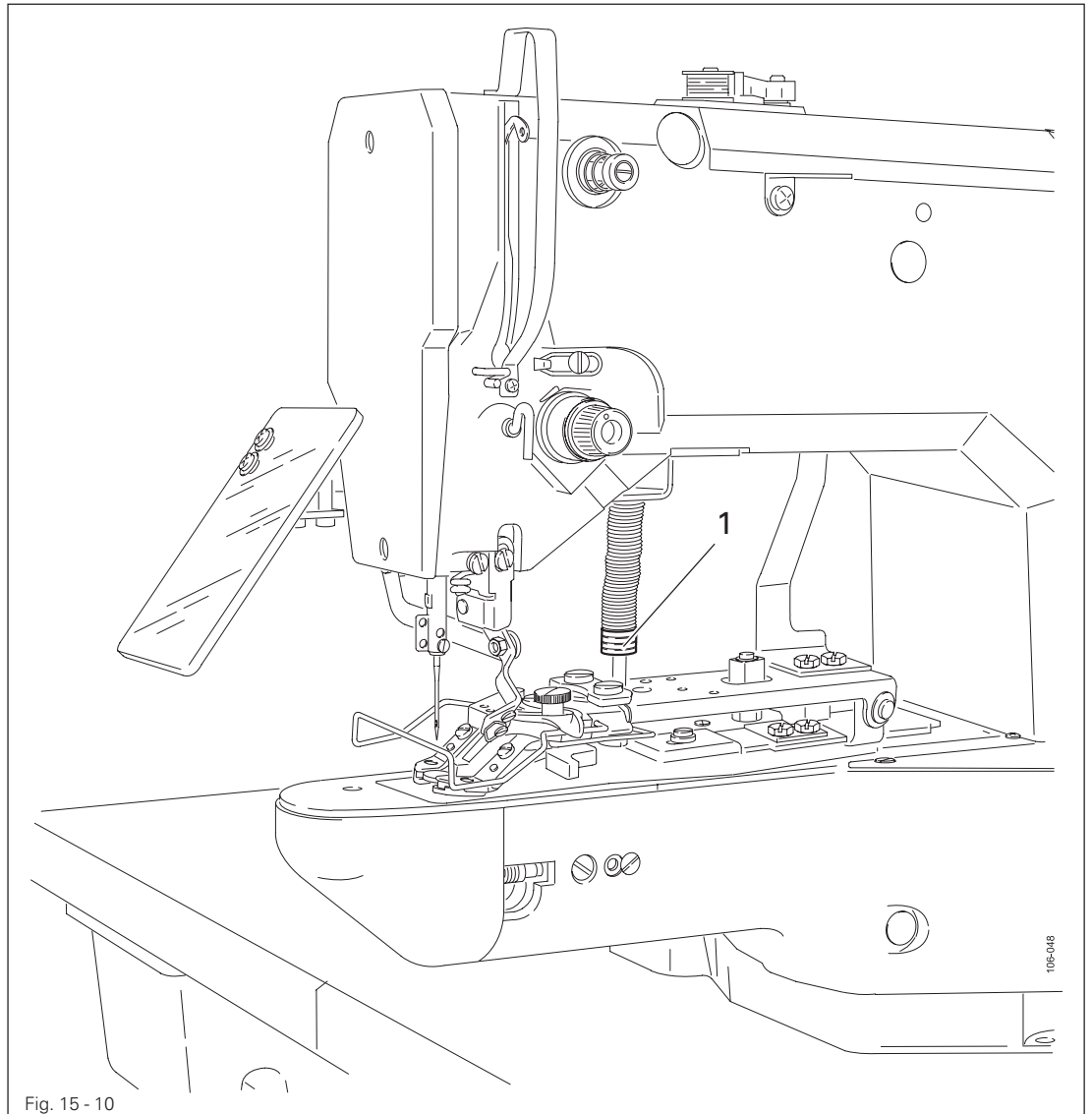


After aligning the button clamp, it is imperative to check the position of the thread wiper, see **Chapter 15.16 Position of the thread wiper!** Danger of needle breakage!

15.15 Button clamp pressure

Requirement

The pressure of the button clamp should be set so that the workpiece can be held reliably without pressure marks.

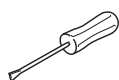
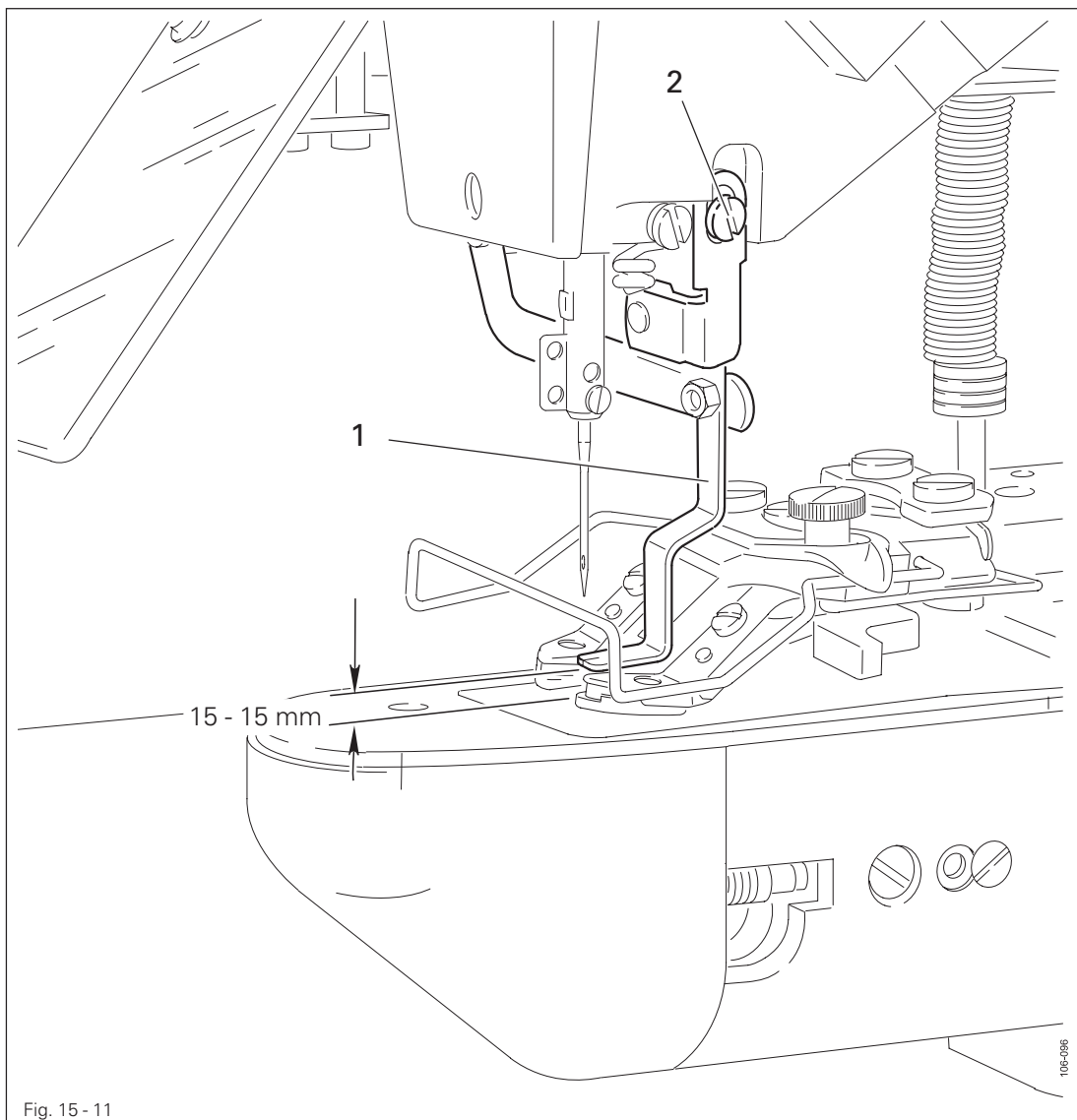


- Adjust milled screw 1 in accordance with the requirement.

15.16 Position of the thread wiper

Requirement

When the thread wiper is centred to the needle, its lower edge should be 14 – 15 mm above the upper edge of the needle plate.

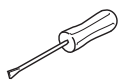
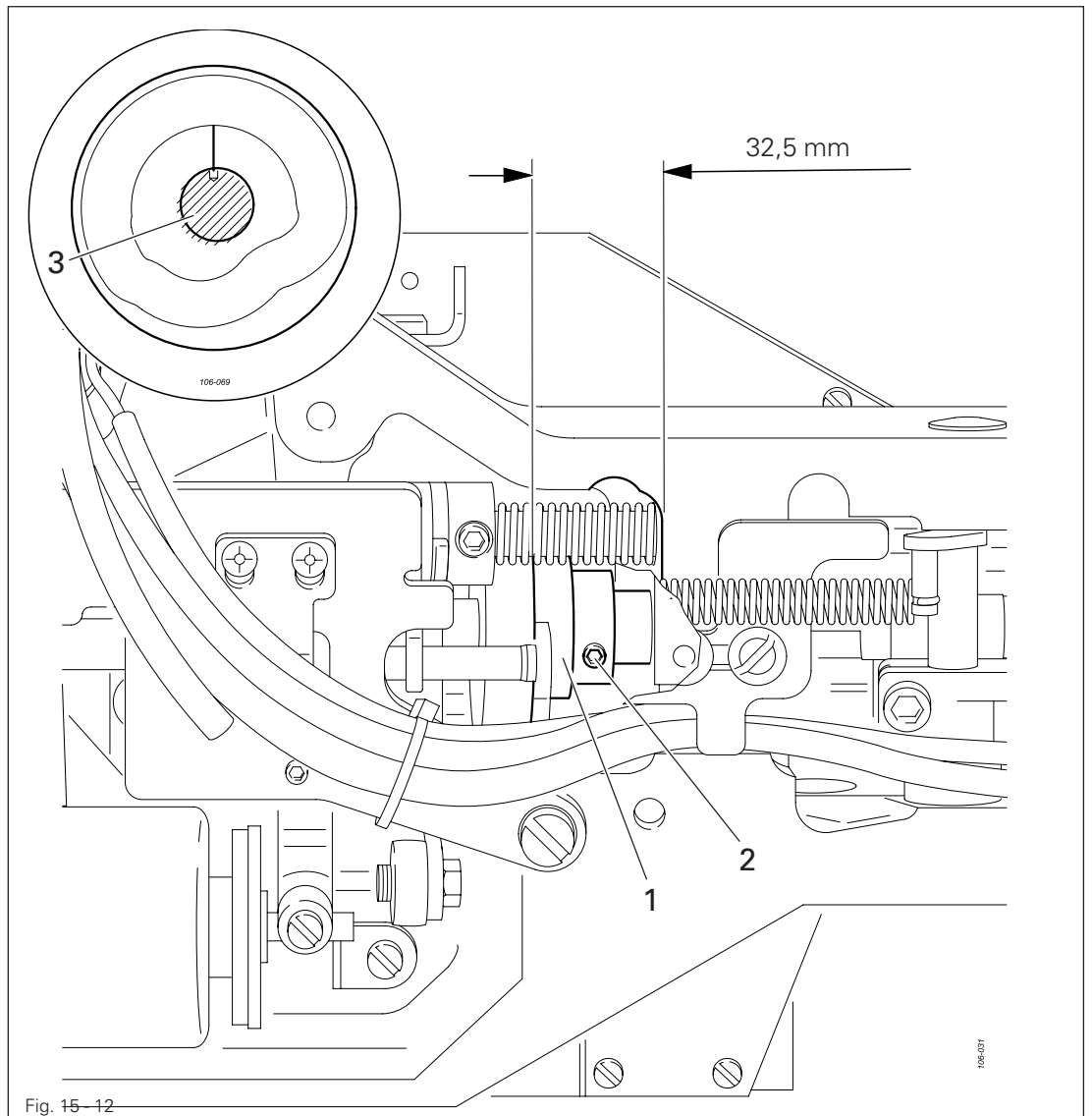


- Bring thread wiper 1 into the appropriate position
- Move thread wiper 1 (screw 2) in accordance with the requirement.

15.17 Position of the control cam

Requirement

1. The markings on control cam 1 and arm shaft 3 should correspond with each other.
2. The outer edge of control cam 1 should be at a distance of 32.5 mm from the metal surface of the case.

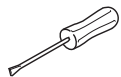
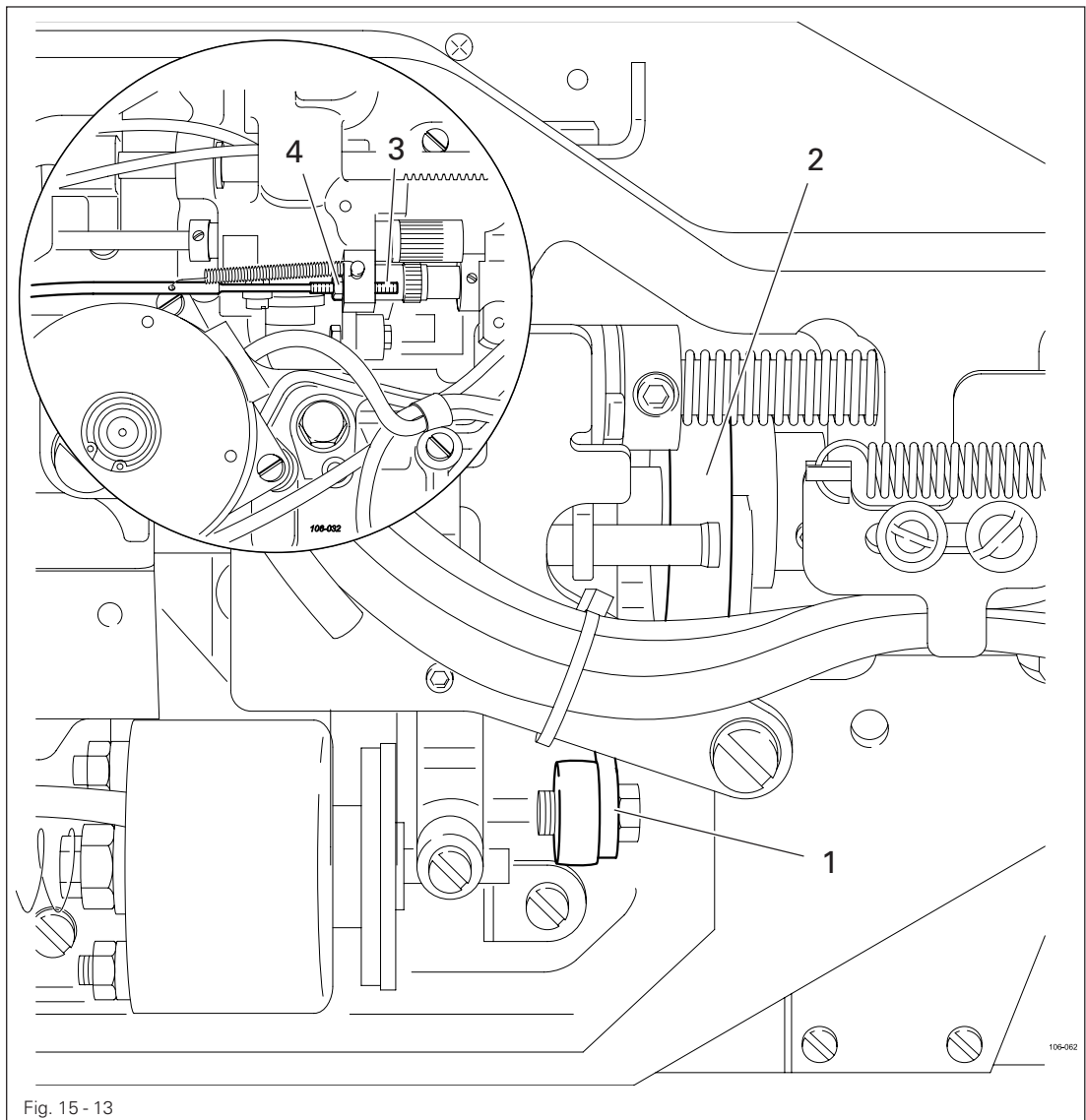


- Turn control cam 1 (screw 2) in accordance with requirement 1, or move it in accordance with requirement 2.

15.18 Position of the control roller

Requirement

When the needle bar is at its b.d.c., the control roller should be centred to the running path of control cam 2.

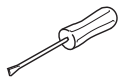
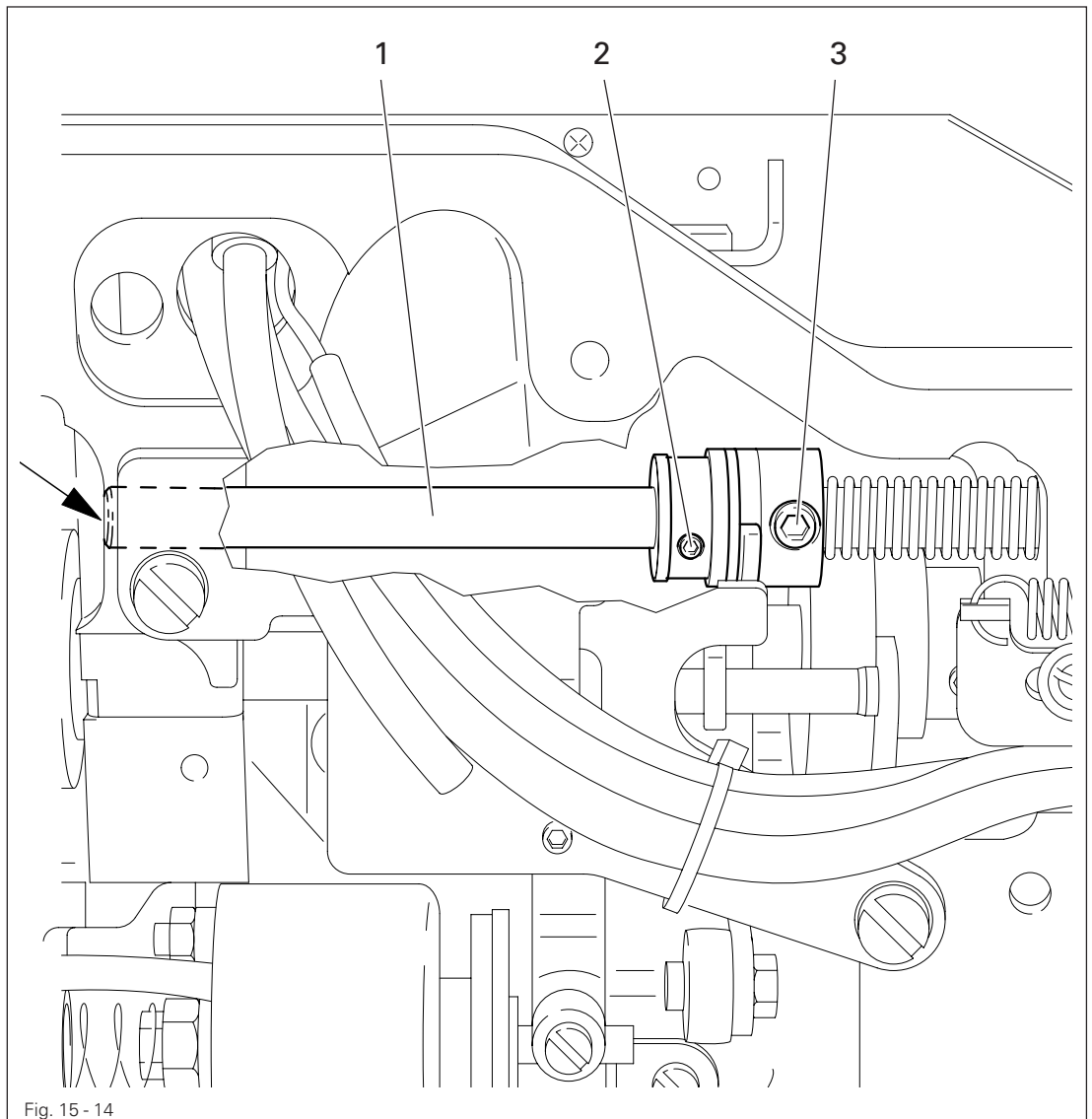


- Turn screw 3 (nut 4) in accordance with the **requirement**.
- For checking purposes, operate lever 1 by hand to let the control roller fall into the running path of control cam 2.

15.19 Position of the drive shaft of the thread trimmer

Requirement

When the thread trimmer is in its basic position, shaft 1 should be flush with the metal edge of the machine case.



- Move shaft 1 (screws 2 and 3) in accordance with the requirement.

15.20 Aligning the stop plate

Requirement

When the thread trimmer is in its basic position, there should be a clearance of **0.3 mm** between lever **3** and plate **1**.

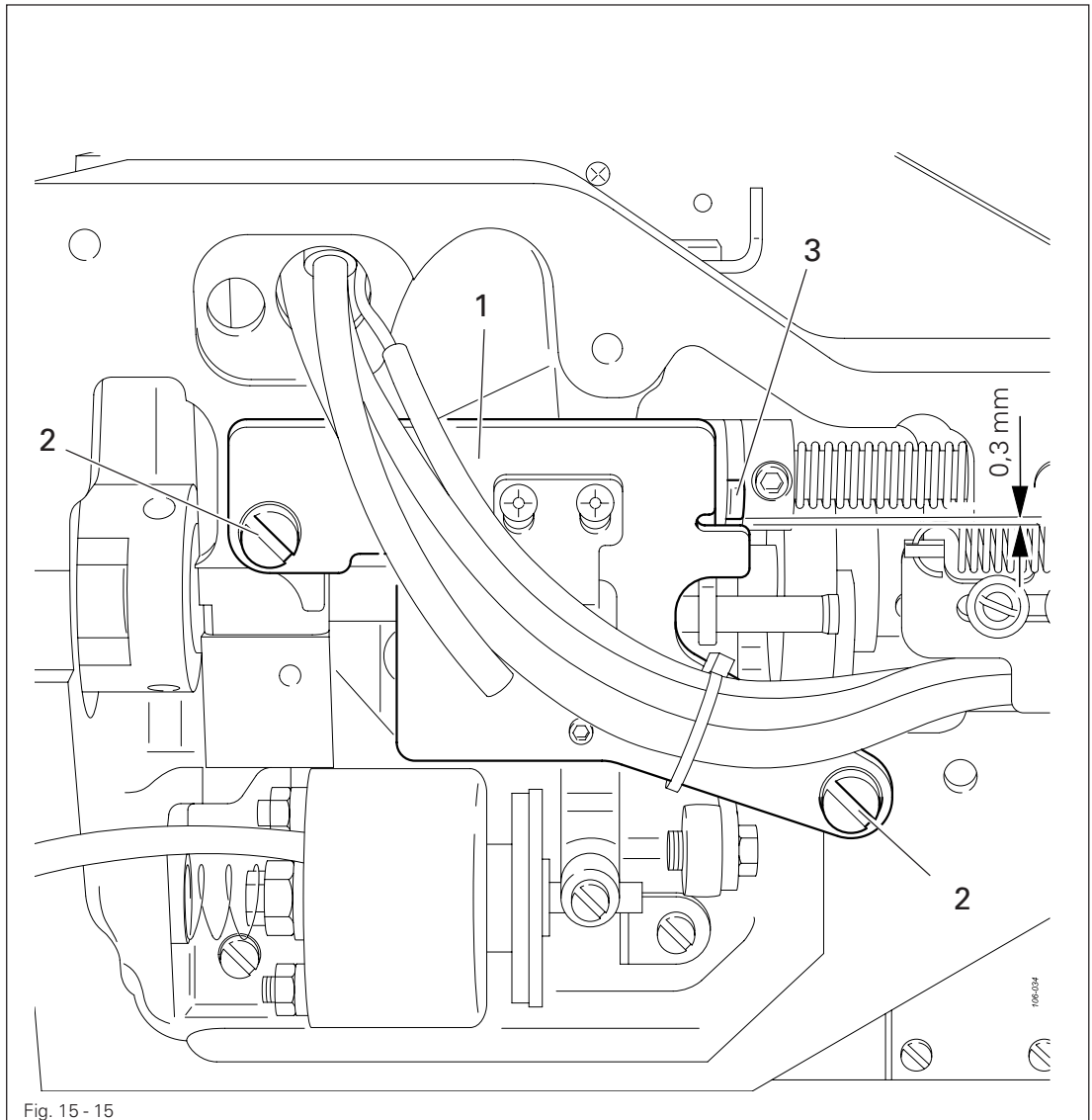
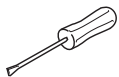


Fig. 15 - 15

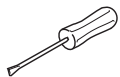
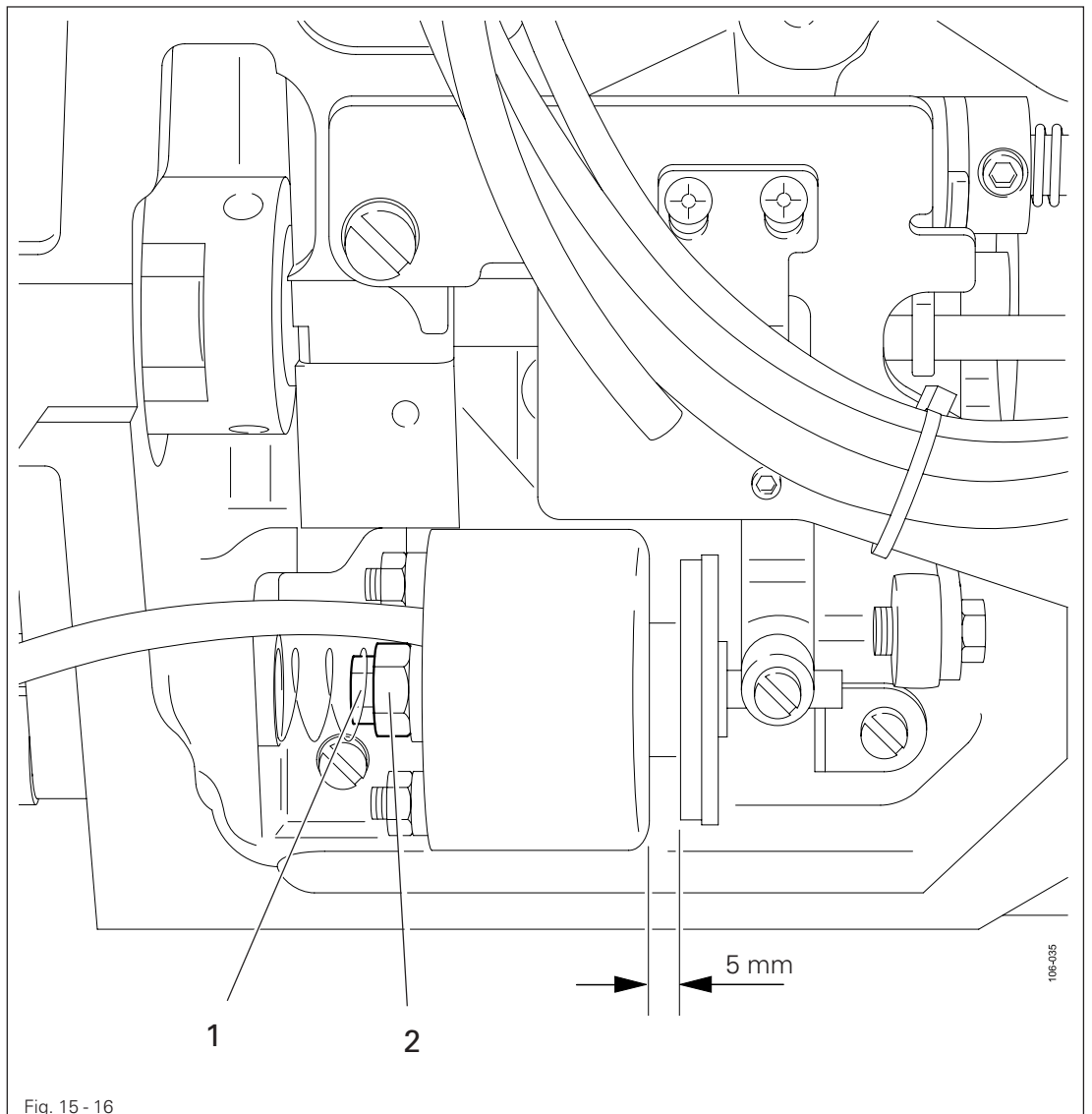


- Move plate 1 (screws 2) in accordance with the requirement.

15.21 Adjusting the trimmer solenoid

Requirement

When the thread trimmer is in its neutral position, solenoid 1 should be at a distance of **5 mm** from the case.

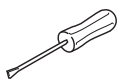
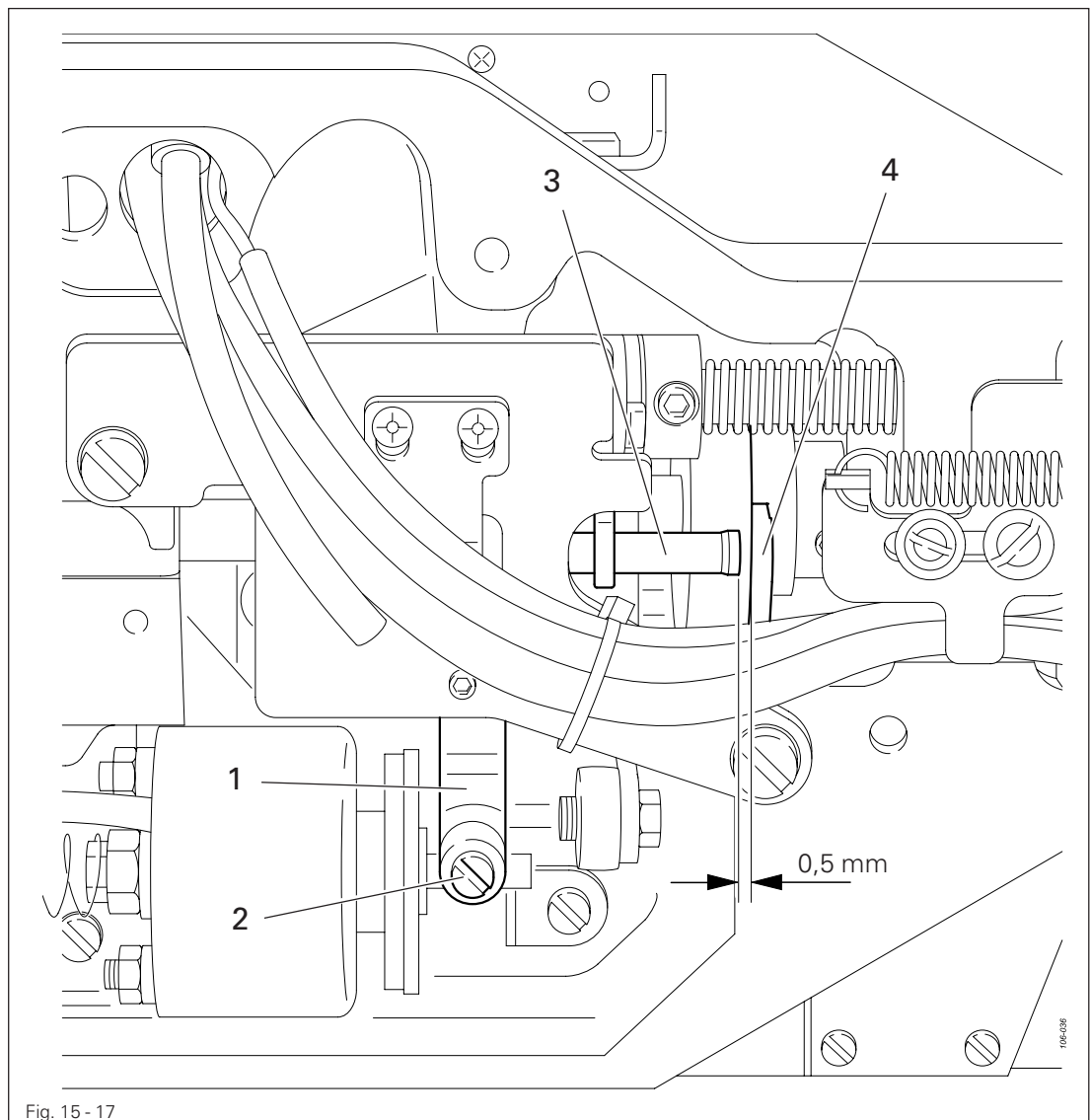


- Turn nut 1 (nut 2) in accordance with the requirement.

15.22 Adjusting the engaging lever

Requirement

When the thread trimmer is in its neutral position, pin 3 should be at a distance of 0.5 mm from release trip 4.



- Move lever 1 (screws 2) in accordance with the requirement.

15.23 Position of the thread catcher and knife

Requirement

When the machine is in its basic position

1. the tip of the thread catcher **1** should be at a distance of **4.5 mm** from the centre of the needle hole.
2. The blade of knife **3** should be at distance of **0.5 mm** from the needle plate insert.

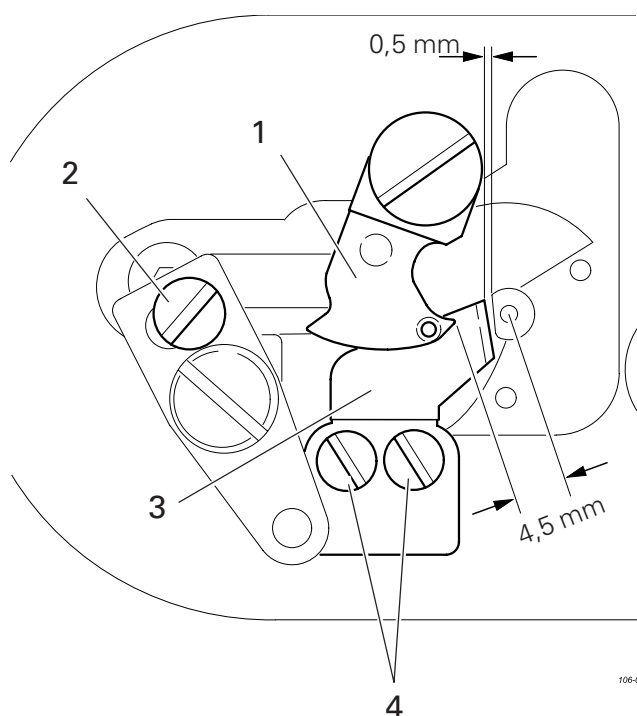
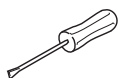


Fig. 15 - 18



- Adjust thread catcher **1** (screw **2**) in accordance with **requirement 1**.
- Adjust knife **3** (screws **4**) in accordance with **requirement 2**.

15.24 Position of the release trip

Requirement

The slots of trip 1 should be touching screws 2 on the right side.

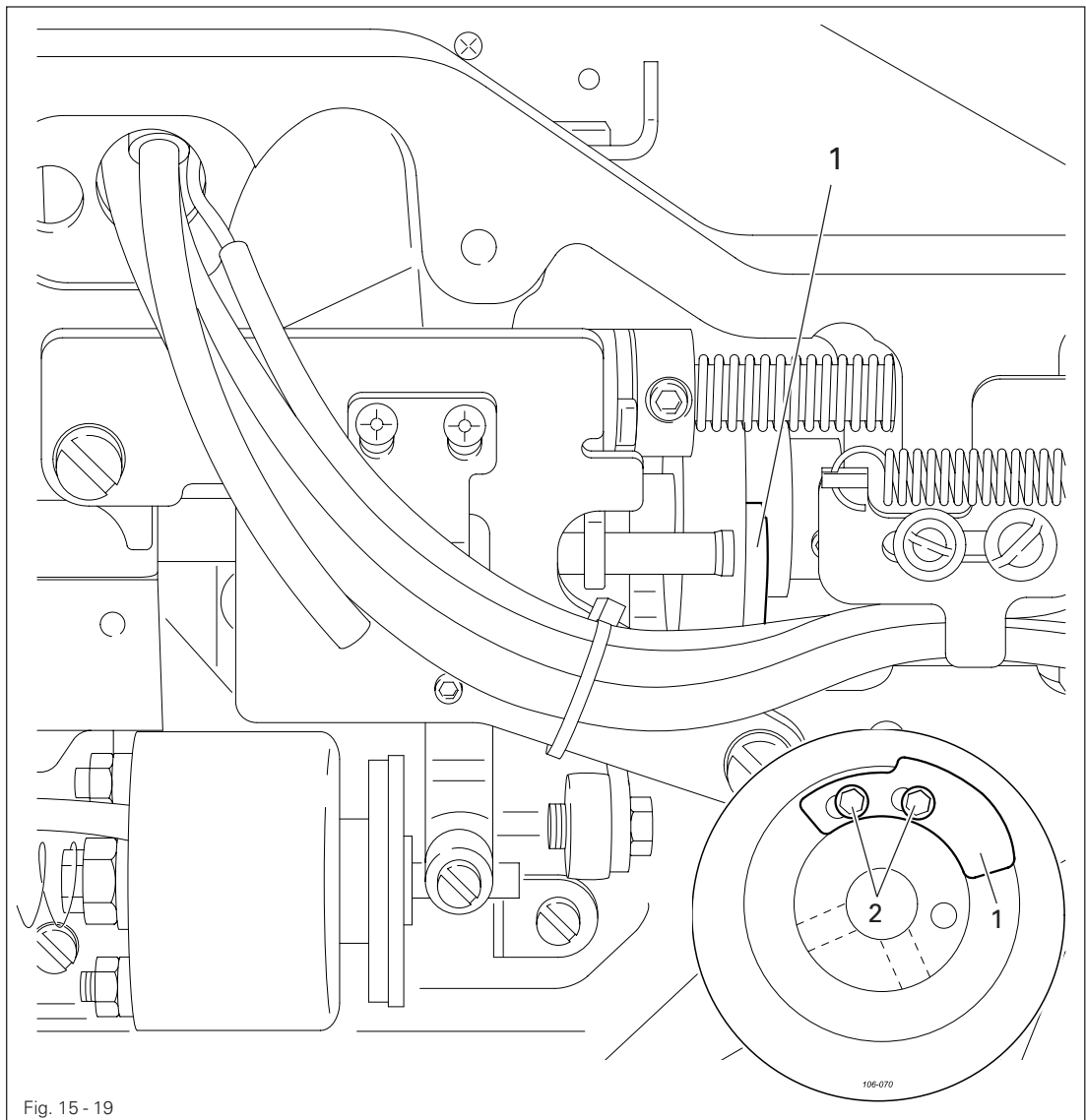
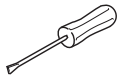


Fig. 15 - 19



- Move trip 1 (screws 2) in accordance with the **requirement**.

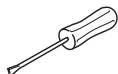
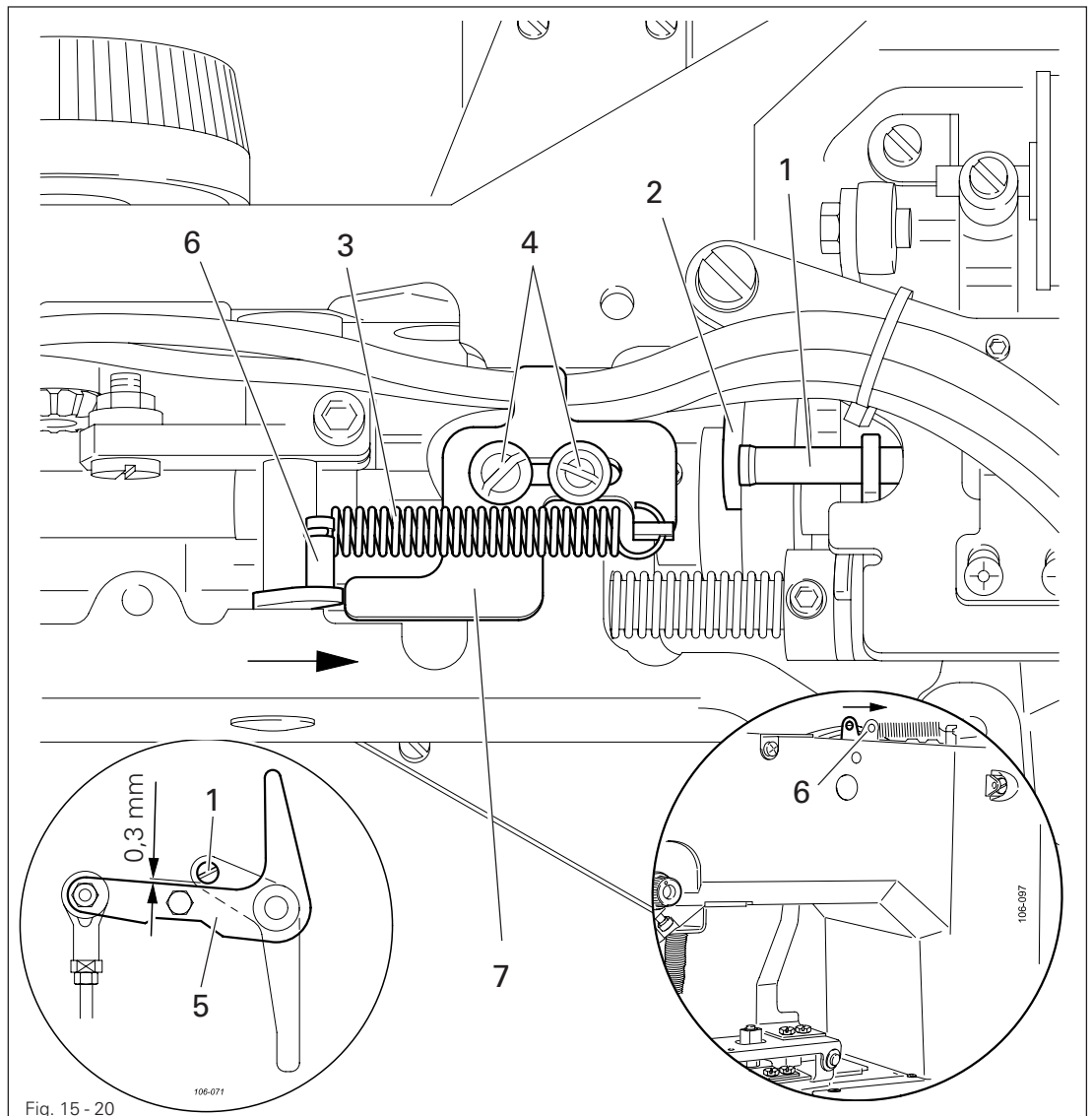


If the needle thread is too short after trimming, trip 1 can be slightly readjusted.

15.25 Position of the release catch

Requirement

When lever 6 is touching release catch 7, there should be a distance of 0.3 mm between drive lever 5 and pin 1.



- Turn the balance wheel until pin 1 is no longer on the release trip 2.
- Release spring 3 and loosen screws 4.
- In accordance with the requirement, place the feeler gauge between the drive lever 5 and pin 1.
- Push lever 6 lightly in the direction shown by the arrow.
- Move release catch 7 against lever 6 and tighten screws 4.
- Remove the feeler gauge and attach spring 3.

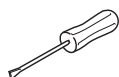
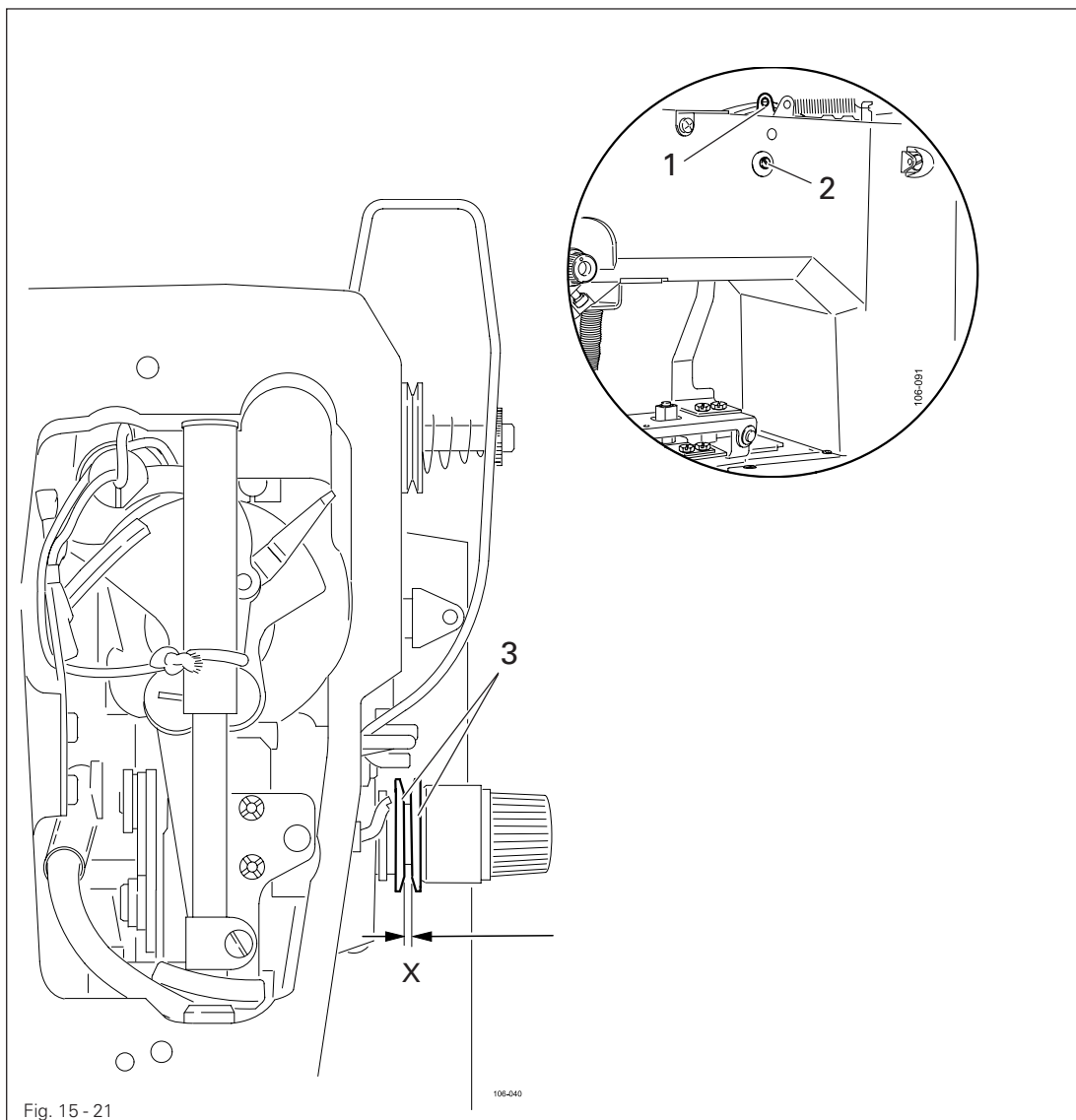


Spring 3 should only be released and attached with suitable tools!
Danger of injury!

15.26 Needle thread tension release

Requirement

After thread trimming the distance **X** between tension discs **3** should be **0.6 – 0.8 mm** for normal materials and **0.8 – 1.0 mm** for heavy materials.

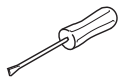
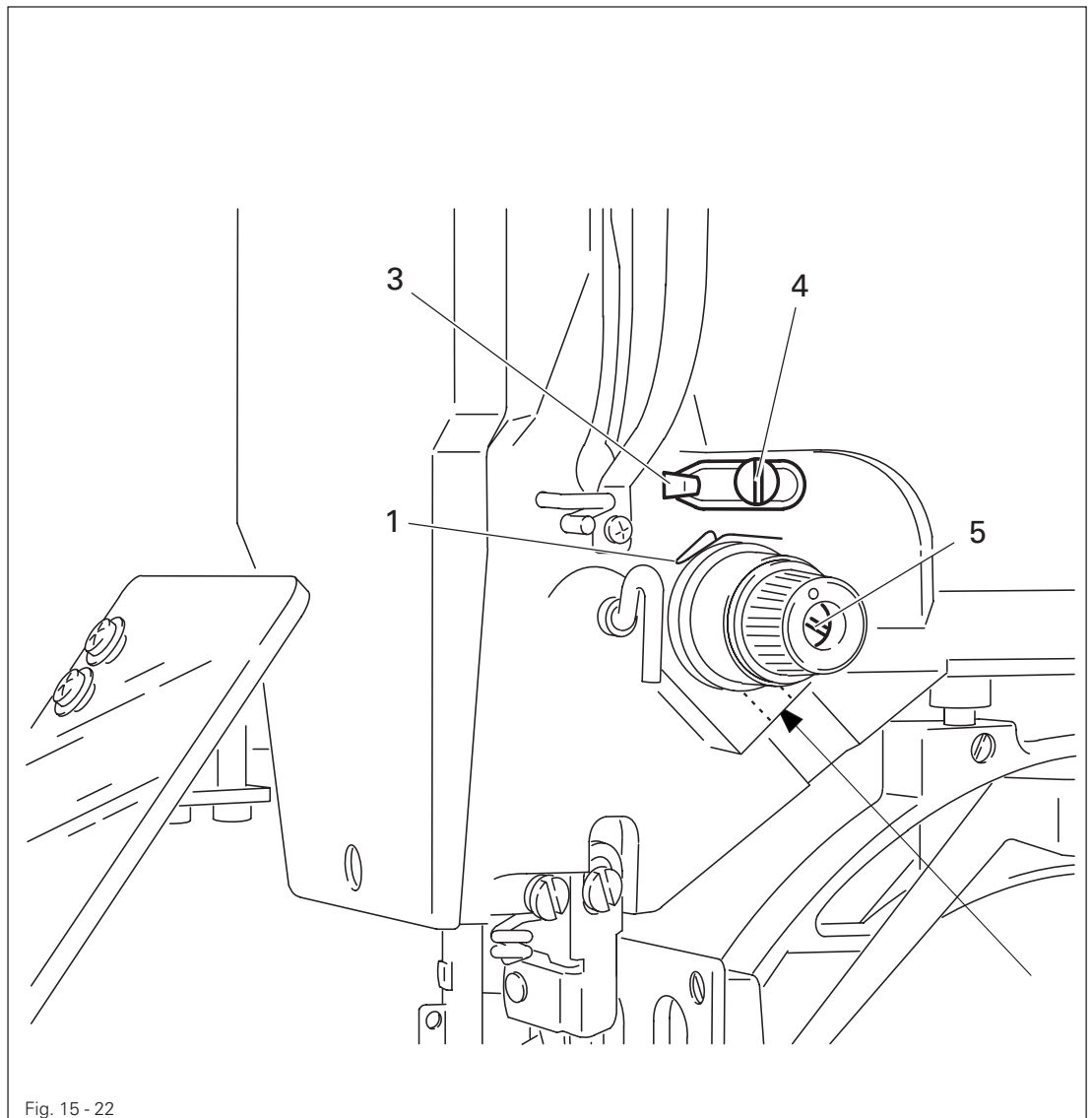


- Bring the machine into the cutting position by hand.
- Move lever **1** (screw **2**) in accordance with the **requirement**.

15.27 Thread check spring and thread regulator

Requirement

1. The thread check spring **1** should have a **6 – 8 mm** stroke.
2. Screw **4** should be positioned in the centre of the slot of thread regulator **3**.



- Adjust thread check spring **1** (screw **2**) in accordance with **requirement 1**.
- Move thread regulator **3** (screw **4**) in accordance with **requirement 2**.

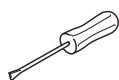
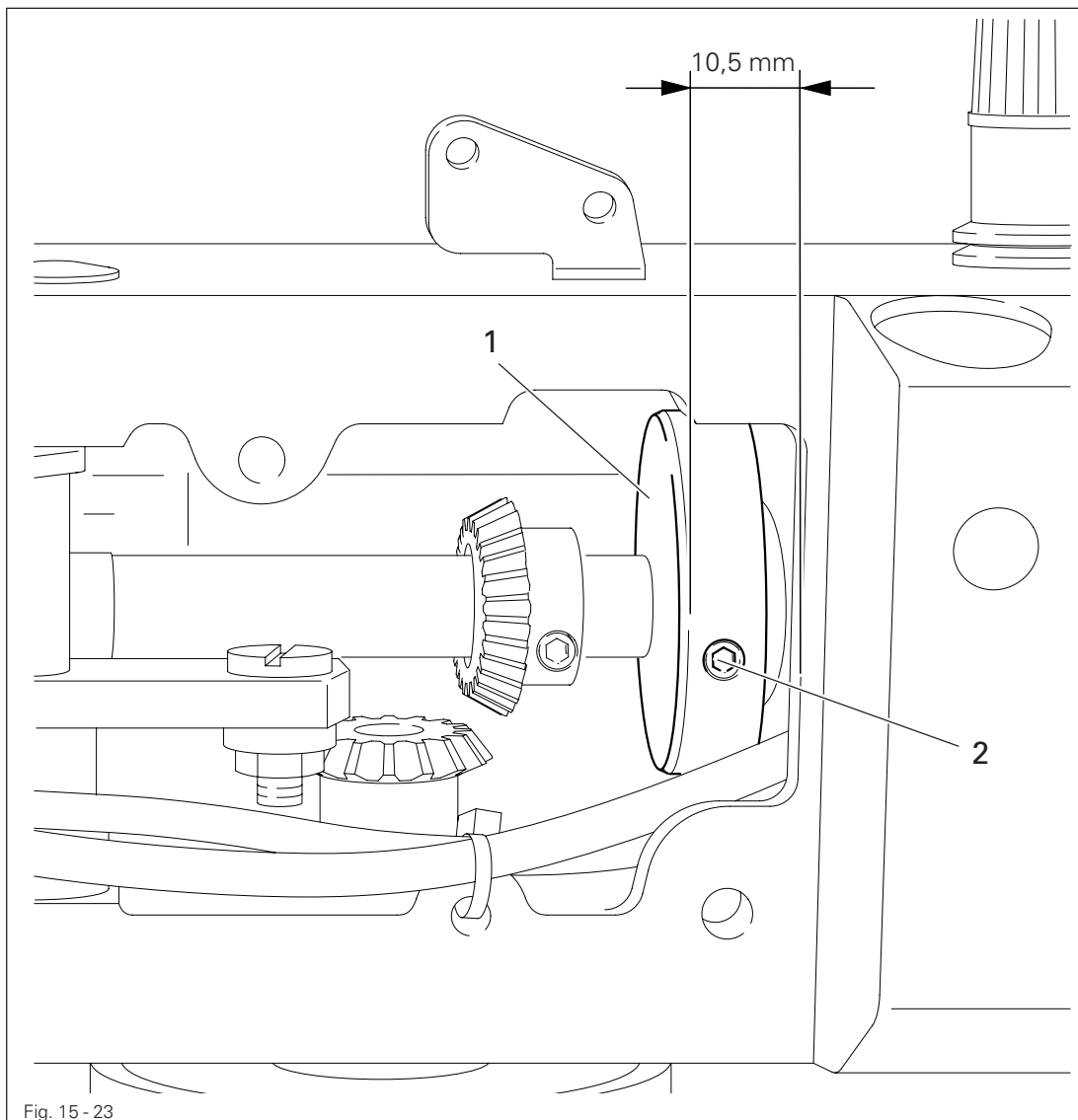


Turn pin **5** to adjust the thread spring resistance. All settings of the thread check spring **1** depend on the material and might have to be corrected to achieve the desired result.

15.28 Bobbin winder drive wheel

Requirement

1. There should be a distance of **approx. 10.5 mm** between drive wheel 1 and the metal edge of the machine case.
2. When the bobbin winder is switched on, its friction wheel should be driven by drive wheel 1. When the bobbin winder is switched off, drive wheel 1 must not touch the friction wheel of the bobbin winder.



- Adjust drive wheel 1 (screw 2) in accordance with the requirements.

15.29 Button clamp initiator

Requirement

When the button clamp is lowered, the initiator should be actuated (input "3" parameter "601" is in the "Off" position).

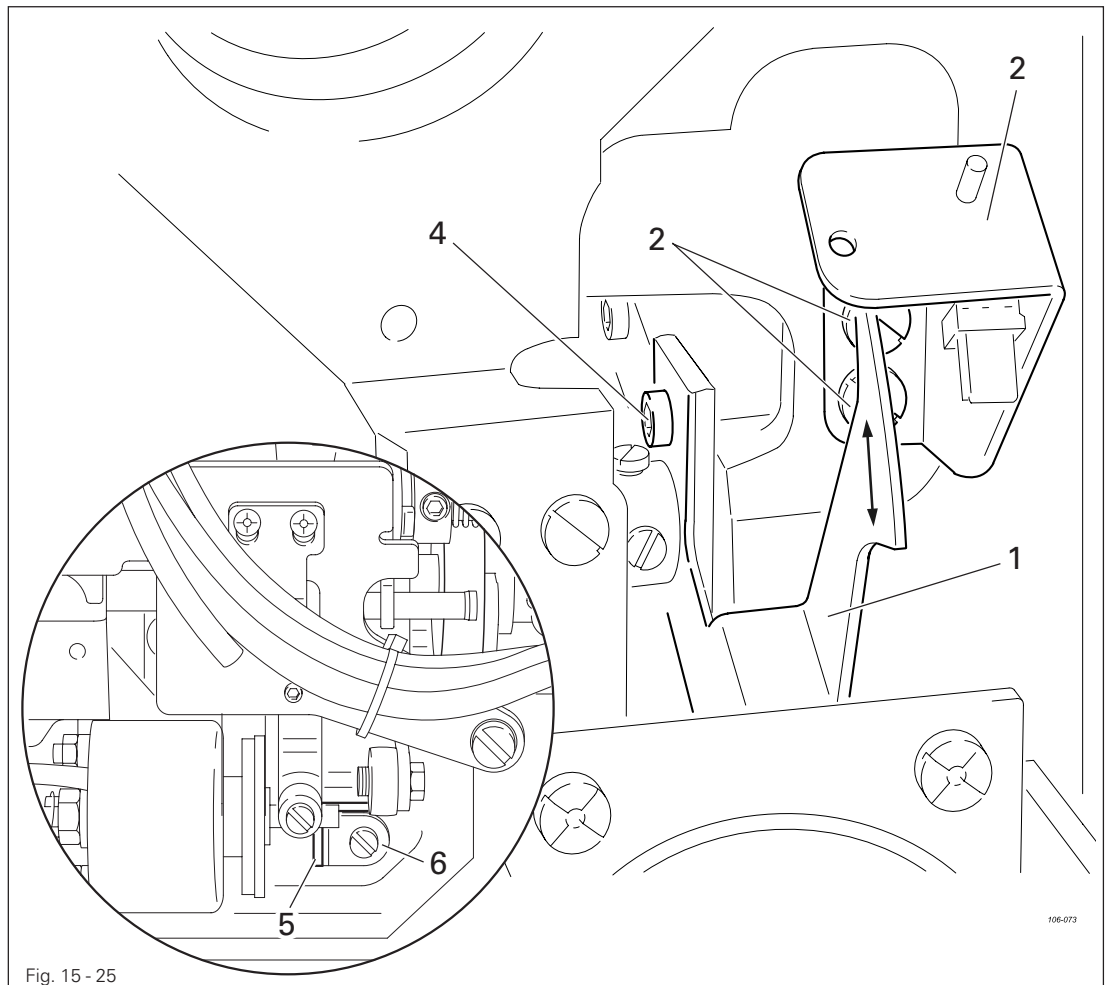
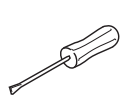


Fig. 15-25



- Switch on the machine and press the "TE" key.



- Lower the button clamp by pressing the "tacting forwards" key.



- With the clamp in this position, press the "TE" key.



- In the input mode, select parameter "601", see Chapter 11.03 Parameter input in the instruction manual.



- Select input "3" with the corresponding +/- key.

- If necessary, enter the access code, see Chapter 11.05.01 Entering the access code in the instruction manual.

- Move cam switch 1 by hand and check the ON/OFF switch position on the display.

- Adjust support 2 (screws 3) and cam switch 1 (screws 4) in accordance with the requirement.

- Switch off the machine.

15.30 Changing the feeder and the jaws of the button clamp

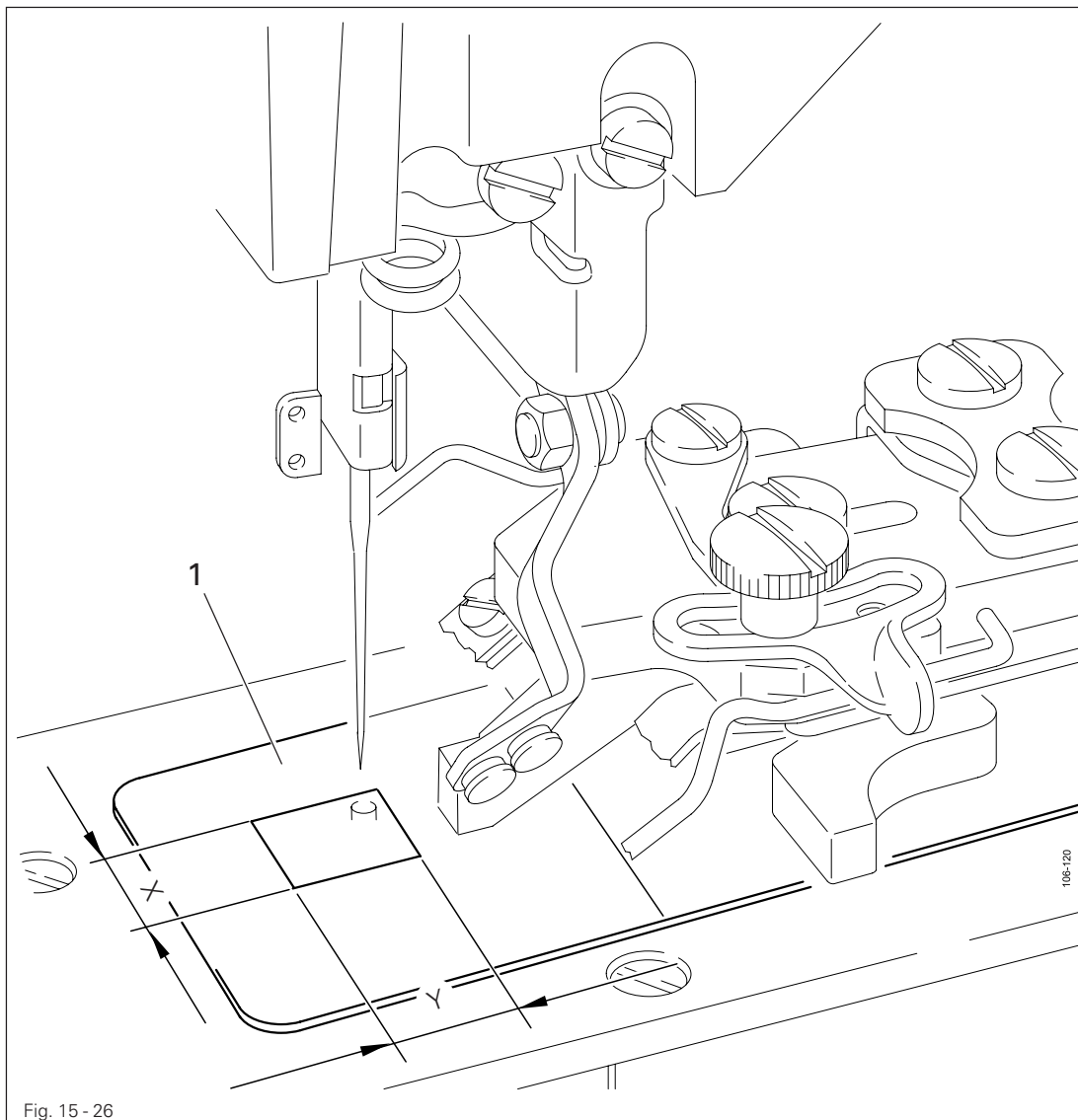
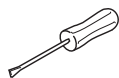


Fig. 15 - 26



- Measure the cutout of the new feeder in X- and Y-direction and adjust the sewing area size, see **Chapter 9.07 Button clamp and sewing area size** of the instruction manual.
- Fit and align the new button clamp jaws, see **Chapter 15.08 Aligning the button clamp**.
- Select the seam program to match the button clamp, see **Chapter 9.06 Selecting a seam program** of the instruction manual.
- Check the seam program by tacting through it, see **Chapter 7.05.03 Function keys** of the instruction manual.



If the actual size of the sewing area differs from the size entered, serious damage can be caused to the machine!

15.31 Cold start



When a cold start is carried out, the seam patterns 50 – 99 and all altered parameter settings are deleted! The machine is reset to its condition on delivery, the machine's zero points remain unaffected.

- Switch on the machine.



- Select parameter "607" with the corresponding +/- keys.

- If necessary, enter the code, see **Chapter 11.05.01 Entering the access code** in the instruction manual.



- With the corresponding +/- key carry out the reset operation.

- Switch the machine off and on again after approx. 3 seconds.

15.32 Internet update of the machine software

The machine software can be updated with PFAFF flash programming. For this purpose the PFP boot program and the appropriate control software for the machine type must be installed on a PC. To transfer the data to the machine, the PC and the machine control unit must be connected with an appropriate null modem cable (part no. 91-291 998-91).



The PFP boot program and the control software of the machine type can be downloaded from the PFAFF-homepage using the following path:
www.pfaff-industrial.de/pfaff/de/service/downloads

To update the machine software carry out the following steps:



While the machine software is being updated, no setting up, maintenance or adjustment work may be carried out on the machine!

- Switch off the machine.
- Connect the PC (serial interface or appropriate USB-adapter) and the machine control unit (RS232). To do so disconnect the plug of the control panel.

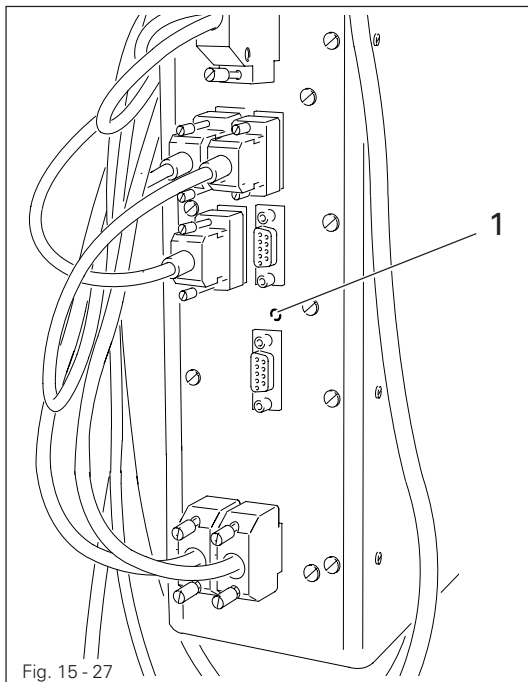


Fig. 15 - 27

- Switch on the PC and start the PFP boot program.
- Select the machine type.
- Press the "programming" button.
- Switch on the machine, keeping the boot key 1 pressed.
- Press the "OK" button.
The software update is carried out, the update progress is shown on the bar display of the PFP boot program.
- When the update has been completed, switch off the machine and end the PFP boot program.
- End the connection between the PC and the machine control unit and reconnect the control panel to the machine control unit.

- Switch on the machine.
A plausibility control is carried out and, if necessary, a cold start.



More information and assistance is at your disposal in the file "PFPHILFE.TXT", which can be called up from the PFP boot program by pressing the "help" button.

15.33 List of parameters

Group	Parameter	Description	Setting range	Set value
000	001	Maximum speed This parameter is used to fix the max. sewing speed (upper limit).	500 – 2500	2500
	002	Sewing speed for start stitches With this parameter the speeds for the 5 start stitches are fixed. Speed (spm) for start stitch no. 1 Speed (spm) for start stitch no. 2 Speed (spm) for start stitch no. 3 Speed (spm) for start stitch no. 4 Speed (spm) for start stitch no. 5	500 – 2500 500 – 2500 500 – 2500 500 – 2500 500 – 2500	500 900 2500 2500 2500
	003	Locking/releasing seam patterns This parameter is used to release (ON) or lock (OFF) the individual seam patterns (0 to 99) to be carried out in the sewing mode.	ON – OFF	ON
	004	Switch bobbin thread counter on/off Standard value (pieces per bobbin) In the sewing mode, the bobbin thread counter counts the pieces sewn backwards from the standard value. If the bobbin thread counter is switched on, in the sewing mode a signal is given when the value 0 is reached.	ON – OFF 1 - 9999	OFF
	005	Sequence combination This parameter is used to combine several sequences with each other. 0 = no combination 1 = C1 with C2 2 = C2 with C3 3 = C1 with C3 4 = C1 with C2 and C3	0 - 4	0
	006	Reversing after thread trimming Reverse position [°] With this parameter it is possible to switch the automatic reversing function after thread trimming on or off. If the reversing function is switched on, the reverse position can be set by turning the balance wheel. The access code is necessary for this adjustment.	ON – OFF 0 – 14	OFF 11

Group	Parameter	Description	Setting range	Set value
000	007	Starting point = scale reference point With this parameter it is possible to choose whether the scale reference point is the starting point (ON) or the zero point (OFF).	ON – OFF	OFF
	008	Speed for the "winding" function This parameter is used to fix the speed for the winding operation.	500 2500	1500
	009	Via zero point to starting point after end of sequence With this parameter it is possible to choose that, after the end of the sequence, the X-, Y-drive moves to the seam starting point via the reference initiators.	ON –OFF	OFF
	010	Via zero point to starting point after number of program cycles Number of program cycles With this parameter it is possible to choose that, after a certain number of program cycles, the X-, Y-drive moves to the seam starting point via the reference initiators.	ON –OFF 1 - 100	OFF
	011	Pedal mode Switchover between level mode (0) and flip flop mode (1).	0 – 1	0
	012	Needle or balance wheel position in degrees	0 - 360	11
	013	NIS "needle in material" [°] This parameter is used to set the NIS signal. If the function is executed, the position can be entered by turning the balance wheel. If the position is altered, the result is a change in the point of time when the carriage is moved. The access code is necessary for this adjustment.	65 – 166	107
	014	Thread trimming speed [min-1] This parameter is used to fix the speed for thread trimming.	100 – 700	300

Group	Parameter	Description	Setting range	Set value
000	015	Reduced current for stepping motors The reduction function of the holding current at rest with closed button clamp is switched on or off.	ON – OFF	ON
	016	Key tone The key tone, as reaction to a key on the control panel being pressed, is switched on or off. The double tone for incorrect inputs always remains switched on.	ON – OFF	ON
	017	Button clamp solenoid Operating time [10 ms] The time, for which the solenoid is under full current, is entered.	5 – 100	10
	018	Button clamp solenoid duty-cycle [%] At the end of the clamp solenoid operating time (Parameter "017") the solenoid is clocked. The relationship between duration of operation and non-operation is entered here.	5 – 100	20
	019	Thread trimming solenoid operating time [10 ms] The time, for which the solenoid is under full current, is entered.	5 – 100	25
	020	Thread trimming solenoid duty-cycle At present without a function	5 – 100	100
	021	Thread take-up lever t.d.c. [°] The position for the t.d.c. thread take-up lever is entered here. If the function is executed, the position can be set by turning the balance wheel. The access code is necessary for this adjustment.	45 – 53	51
	022	Thread trimming position (in relation to t.d.c. needle) [°] The position, at which the thread trimming solenoid is switched on, is entered here. The adjustment is set by turning the balance wheel. The access code is necessary for this adjustment.	180 - 253	180

Adjustment

Group	Parameter	Description	Setting range	Set value
000	023	Sewing area size X [1/10 mm] To avoid mechanical collisions, the sewing area size of the button clamp in use is entered. The control unit checks the path and, if necessary, issues an error message.	± 33	-23 / +23
	024	Sewing area size Y [1/10 mm] To avoid mechanical collisions, the sewing area size of the button clamp in use is entered. The control unit checks the path and, if necessary, issues an error message.	± 33	-23 / +23
	025	Thread wiper solenoid operating time [10 ms] The time, for which the solenoid is under full current, is entered.	5 – 100	10
	026	Thread wiper solenoid Duty-cycle [%] Thread wiper solenoid, ratio on-time to off-time in % (Duty-Cycle)	5 – 100	100
	027	Basic position/loading point = zero point	ON - OFF	OFF
100	101	Software version main processor The software version of the main processor is displayed		0300.xxx
	102	Software version sewing drive unit The software version of the sewing drive module is displayed.		V.xx
	103	Software version control panel The soft- and hardware version of the control panel are displayed.		V.xxx/ H.xxx
200	201	Program number The program number of the program to be processed is selected.	50 - 99	50
	202	Button hole model The button hole model (number of holes in the button) is selected.	2 – 4	2
	203	Coordinates of the first hole The coordinates of the hole are entered.		xx.yy
	204	Coordinates of the second hole		xx.yy
	205	Coordinates of the third hole		xx.yy
	206	Coordinates of the fourth hole		xx.yy

Group	Parameter	Description	Setting range	Set value
200	207	Coordinates of the fifth hole		xx.yy
	208	Coordinates of the sixth hole		xx.yy
	209	Stitch positions The number of stitch positions on one edge are entered.	1 - 20	4
	210	Stitch formation The stitch formation depends on the type of button selected, see Chapter 11.04 Free input of the seam pattern (Teach in) of the instruction manual. Three-hole button: 0 = cycle, 1 = point, 2 = stitching Four-hole button: 0 = normal, 1 = cycle, 2 = arrow, 3 = Z	0 - 2 (0 - 3)	0
	211	Intermediate trimming On four-hole buttons the thread can be trimmed between the second and third hole.	ON - OFF	OFF
	211	Number of sewing-on stitches	2 - 10	2
	212	Number of attaching stitches	2 - 10	4
600	601	Display inputs With this function the digital inputs can be checked. "IN" shows the input numbers (1 - 16). Under "VAL" the respective switch status is displayed. IN VAL 1 IN1, programmable input 1 2 IN2, programmable input 2 3 E3, button clamp raised 4 5 6 7 8 9 10 11 12 13 14 15 16		

Group	Parameter	Description	Setting range	Set value																																																		
600	602	<p>Display special inputs</p> <p>With this function it is possible to check the special inputs pedal, reference X (SM1) and reference Y (SM2). "IN" shows the inputs (PED, REFX, REFY). Under "VAL" the respective switch status is displayed.</p> <table> <tr> <td>IN</td> <td>VAL</td> <td></td> </tr> <tr> <td>PED</td> <td></td> <td>Pedal (speed control unit -1; 0; +1; 2)</td> </tr> <tr> <td>REFX</td> <td></td> <td>Reference input X</td> </tr> <tr> <td>REFY</td> <td></td> <td>Reference input Y</td> </tr> </table>	IN	VAL		PED		Pedal (speed control unit -1; 0; +1; 2)	REFX		Reference input X	REFY		Reference input Y																																								
	IN	VAL																																																				
	PED		Pedal (speed control unit -1; 0; +1; 2)																																																			
REFX		Reference input X																																																				
REFY		Reference input Y																																																				
603	<p>Connect outputs</p> <p>With this function the outlets can be connected. "OUT" shows the outlet selected (1-16). Under "VAL" the selected output is set (S) with the plus/minus key (+), and reset (R) with the plus/minus key. Interlocks are checked. Non-assigned outlets are not connected.</p> <table> <tr> <td>OUT</td> <td>VAL</td> <td></td> </tr> <tr> <td>1</td> <td>S/R</td> <td>Solenoid for button clamp open</td> </tr> <tr> <td>2</td> <td>S/R</td> <td></td> </tr> <tr> <td>3</td> <td>S/R</td> <td>Solenoid for thread trimming</td> </tr> <tr> <td>4</td> <td>S/R</td> <td>Solenoid for thread wiper</td> </tr> <tr> <td>5</td> <td>S/R</td> <td></td> </tr> <tr> <td>6</td> <td>S/R</td> <td>Program outlet</td> </tr> <tr> <td>7</td> <td>S/R</td> <td>Program outlet</td> </tr> <tr> <td>8</td> <td>S/R</td> <td></td> </tr> <tr> <td>9</td> <td>S/R</td> <td></td> </tr> <tr> <td>10</td> <td>S/R</td> <td></td> </tr> <tr> <td>11</td> <td>S/R</td> <td></td> </tr> <tr> <td>12</td> <td>S/R</td> <td></td> </tr> <tr> <td>13</td> <td>S/R</td> <td></td> </tr> <tr> <td>14</td> <td>S/R</td> <td></td> </tr> <tr> <td>15</td> <td>S/R</td> <td></td> </tr> <tr> <td>16</td> <td>S/R</td> <td></td> </tr> </table>	OUT	VAL		1	S/R	Solenoid for button clamp open	2	S/R		3	S/R	Solenoid for thread trimming	4	S/R	Solenoid for thread wiper	5	S/R		6	S/R	Program outlet	7	S/R	Program outlet	8	S/R		9	S/R		10	S/R		11	S/R		12	S/R		13	S/R		14	S/R		15	S/R		16	S/R			
OUT	VAL																																																					
1	S/R	Solenoid for button clamp open																																																				
2	S/R																																																					
3	S/R	Solenoid for thread trimming																																																				
4	S/R	Solenoid for thread wiper																																																				
5	S/R																																																					
6	S/R	Program outlet																																																				
7	S/R	Program outlet																																																				
8	S/R																																																					
9	S/R																																																					
10	S/R																																																					
11	S/R																																																					
12	S/R																																																					
13	S/R																																																					
14	S/R																																																					
15	S/R																																																					
16	S/R																																																					
604	<p>Move stepping motors</p> <p>The stepping motors SM1 (X-axis) and SM2 (Y-axis) are moved individually with the respective plus/minus keys. Interlocks are not checked.</p>																																																					

Group	Parameter	Description	Setting range	Set value
600	605	<p>Turn sewing motor The sewing motor can be operated with a selectable set speed by pressing the pedal. After the sewing motor has been started, the current speed is also displayed.</p>	500 - 2500	500
	606	<p>Thread trimming sequence The sequence for a complete thread trimming cycle is started with the plus/minus key (+) below CUT and below THR.</p>		
	607	<p>Cold start (RESET) With this function the control unit carries out a cold start (RESET) with which the data is reset. After this function has been selected, the machine must be switched off and then on again.</p>		
	608	<p>Setting zero points With this function and the adjustment gauge, the zero points for the X/Y-drive unit can be set. (stepping motor correction values for the reference points REF_X, REF_Y). The access code is required for this adjustment.</p>		
	609	<p>Setting the button clamp centre X This function is used to set the centre of the button clamp in X-direction. When entering the function, the machine moves to the current button clamp centre, after which it is possible to move to the right or left edge, depending on the set limits (param. "023"). A correction can be made with the plus/minus keys. The relocation value is displayed.</p>		
	610	<p>Setting the button clamp centre Y This function is used to help set the centre of the button clamp in Y-direction. After entering this function, the machine moves to the current button clamp centre, after pressing a key to the front or the rear limit (param. "024"). The button clamp must be shifted manually.</p>		

Adjustment

Group	Parameter	Description	Setting range	Set value
600	611	Automatic button clamp opening off With this function the automatic opening of the button clamp after thread trimming can be switched off. After the machine has been switched off, the automatic button clamp opening function is always activated.	ON - OFF	OFF
	612	Test function continuous start	ON - OFF	OFF
800		The function groups and the functions Programming the Function Keys P, P1-P8 and C1-C3 can be released for manipulation (ON) or locked (OFF). If a function group is suppressed, its parameters cannot be changed until a valid access code has been entered. Once a valid access code has been entered, the suppression is cancelled until the machine is switched off.		
	801	Right of access function group 000	ON – OFF	ON
	802	Right of access function group 100	ON – OFF	ON
	803	Right of access function group 200	ON – OFF	ON
	807	Right of access function group 600	ON – OFF	OFF
	808	Right of access function group 700	ON – OFF	OFF
	809	Right of access function group 800	ON – OFF	OFF
	810	Right of access to keys "P", "P1" – "P8" and "C1" – "C3"	ON – OFF	ON
	811	Access code This parameter is used to alter the access code. Upon delivery the machine is set with the access code "3371".		3371

15.34 Error messages on the display

Following error messages are shown on the control panel display.

ERROR: 1	Processor error STACK_OVERFLOW
ERROR: 2	Processor error STACK_UNDERFLOW
ERROR: 3	Processor error UNDEF_OPCODE
ERROR: 4	Processor error PROTECTION_FAULT
ERROR: 5	Processor error ILLEGAL_WORD_OPERAND
ERROR: 6	Processor error ILLEGAL_INSTRUCTION
ERROR: 7	Processor error ILLEGAL_BUS_ACCESS
ERROR: 8	Processor error NMI
ERROR: 10	OTE (Sewing head recognition unit) not attached
ERROR: 11	OTE not programmed (new)
ERROR: 12	OTE check sum error
ERROR: 13	OTE header invalid
ERROR: 14	OTE user data invalid
ERROR: 30(#)	(OTE error see cap. 15.36)
ERROR: 31(#)	(Error Sewing motor see cap. 15.35)
ERROR: 50	Incorrect control panel
ERROR: 51	Incorrect machine class in OTE
ERROR: 52	Incorrect software for main drive
ERROR: 101	Mains voltage
ERROR: 102	Power supply overload
ERROR: 103	24 V too low
ERROR: 201(#)	(Error Sewing motor see cap. 15.35)
ERROR: 202	Pattern too large
ERROR: 203	Overload data transfer sewing motor
ERROR: 204	Tacting function locked
ERROR: 205	Run function locked
ERROR: 206	No NIS
ERROR: 207	Not end of ramp
ERROR: 208	Zero point not found
ERROR: 209	Sewing function locked
ERROR: 210	Bobbin thread fault
ERROR: 211	Stitch too large
ERROR: 301	Raise clamp not completed
ERROR: 302	Lower clamp not completed
ERROR: 303	Raise clamp locked (needle position)
ERROR: 304	Lower clamp locked (needle position)
ERROR: 305	Thread wiper on locked (needle position)
ERROR: 401	Error sewing motor
ERROR: 402	Overload data transfer sewing motor
ERROR: 403	Program station not programmed
ERROR: 404	Program locked
ERROR: 405	Program does not exist
ERROR: 406	No NIS

ERROR: 407	Zero points invalid
ERROR: 408	Machine not in basic position
ERROR: 409	Zero point not found
ERROR: 410	Program too long
ERROR: 411	Incorrect program number
ERROR: 412	Incorrect number of holes in button
ERROR: 413	Coordinates of 2 holes are the same
ERROR: 414	Incorrect number of plies
ERROR: 415	Incorrect stitch formation value
ERROR: 416	Error in SD-memory card reader
	1: No SD-memory card inserted
	2: Wrong SD-memory card (does not match the machine)
	3: SD-memory card not inserted correctly
	4: SD-memory card with write protection
	5: Data error on SD-memory card
	6: Formatting failed
	7: File does not match machine
	8: Incorrect file size
	9: Transfer error
	10: Data cannot be deleted
	11: Sewing head recognition unit not connected
ERROR: 417	No penetration point found for winding
ERROR: 418	1st penetration point for winding is located outside the sewing area
ERROR: 419	Incorrect number of sewing-on stitches
ERROR: 420	Incorrect number of attaching stitches

15.35 Sewing motor errors

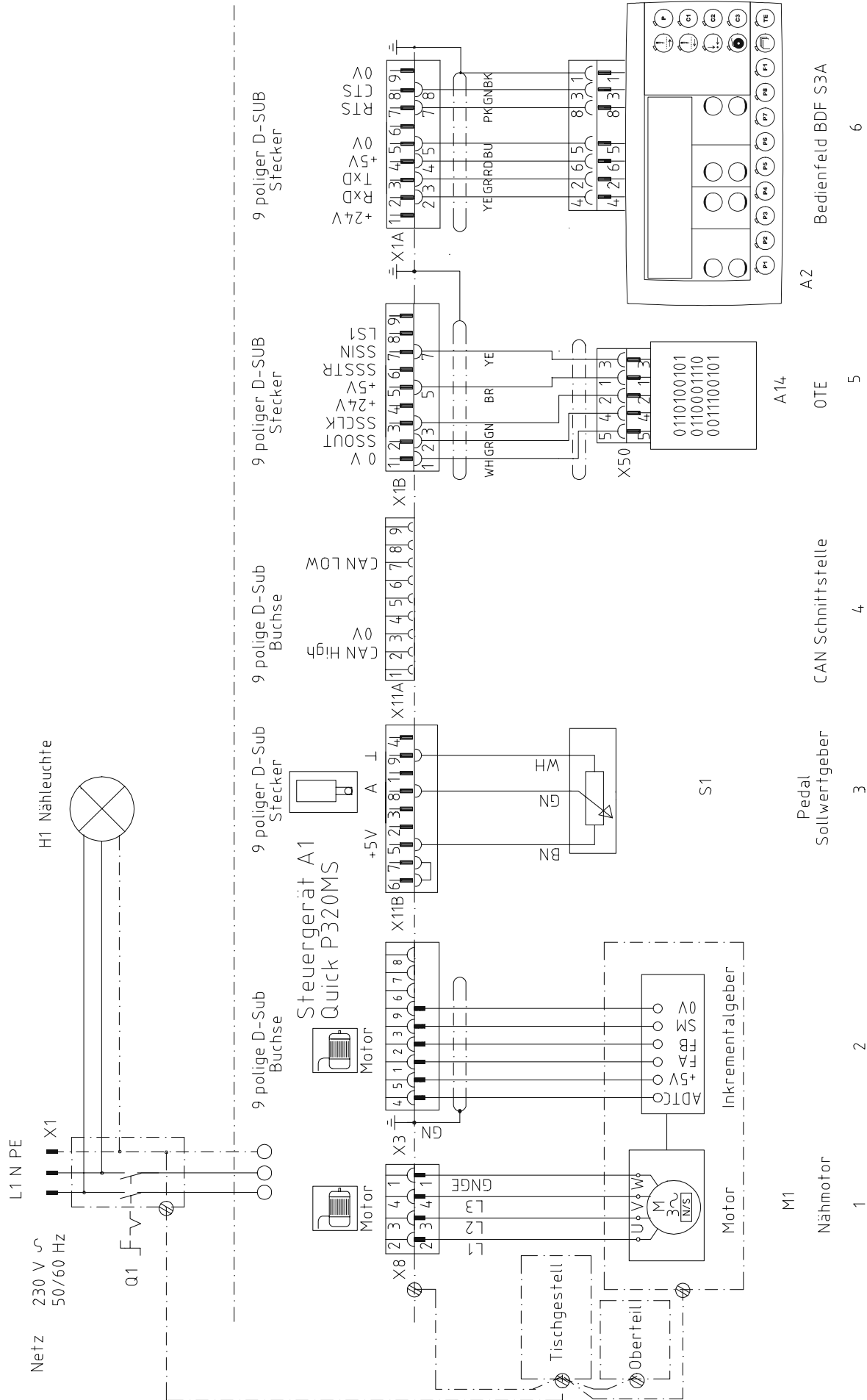
1	Time out	70	Motor blocking
2	Position not reached	71	No incremental connector
33	Invalid parameter value	73	Motor running interrupted
34	Brake path too short	74	Incremental transmitter missing for speed increase / reduction
35	Communication error	75	Controller locked
36	Initialisation (Init.) not completed	170	Invalid transmission
37	Command overflow	171	Zero mark invalid
64	Mains OFF during initialisation	173	Motor blocked in 1 st stitch
65	Overcurrent directly after mains ON	175	Start error
66	Short circuit	222	Time-out monitoring
68	Overcurrent in operation		
69	No increments		

15.36 OTE-errors

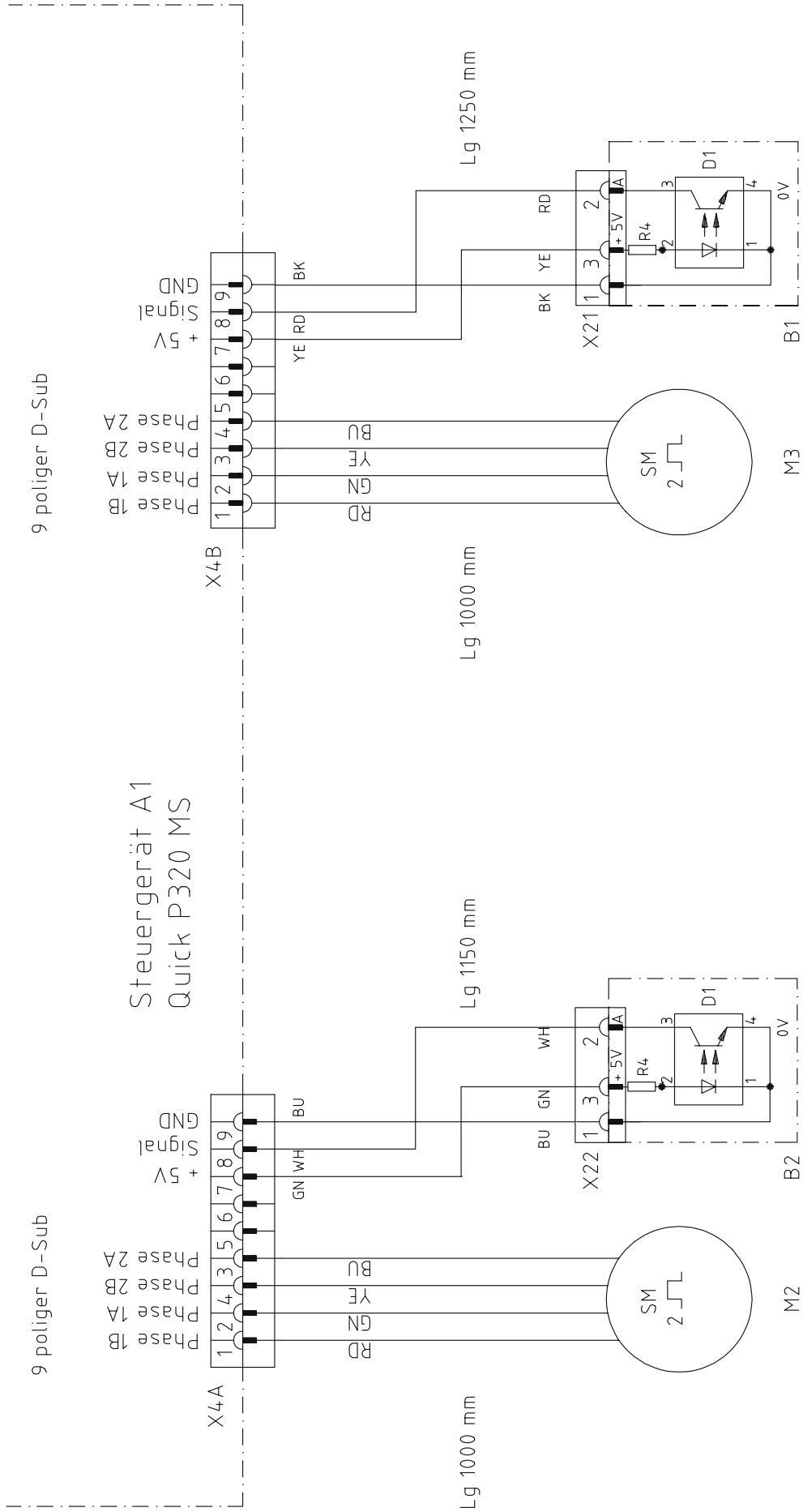
1	Read error	6	Invalid address
2	Write error	7	Address overflow
3	Full EEPROM	8	Checksum failed
4	No EEPROM	9	Serialnr. changed
5	Invalid size		

16 Circuit diagrams**Circuit diagram reference list**

A1	Controller Quick P 320MS
A2	Control panel S3A
A14	Sewing head recognition system (OTE)
B1	Hybrid light barrier Y axis
B2	Hybrid light barrier X axis
B3	Hybrid light barrier clamp monitoring
H1	Sewing lamp
M1	Sewing motor
M2	Sewing motor Y axis
M3	Sewing motor X axis
Q1	Main switch
S1	Pedal speed control unit
X1	Mains switch
X1A	A2 Control panel S3A
X1B	A14 Sewing head recognition system (OTE)
X3	M1 Incremental transmitter (sewing motor)
X4A	M2 Stepping motor + hybrid light barrier Y axis
X4B	M3 Stepping motor + hybrid light barrier X axis
X5	Inputs
X8	M1 Sewing motor
X11A	CAN interface
X11B	S1 Pedal speed control unit
X13	Outputs
X21	B1 Hybrid light barrier X axis
X22	B2 Hybrid light barrier Y axis
X23	B3 Hybrid light barrier clamp monitoring
X41	Y1 Clamp open
X43	Y3 Thread trimming
X44	Y4 Thread wiper
Y1	Clamp open
Y3	Thread trimming
Y4	Thread wiper



Schrittmotore



SM3 (X-axis)

Photointerrupter (X-axis)

9

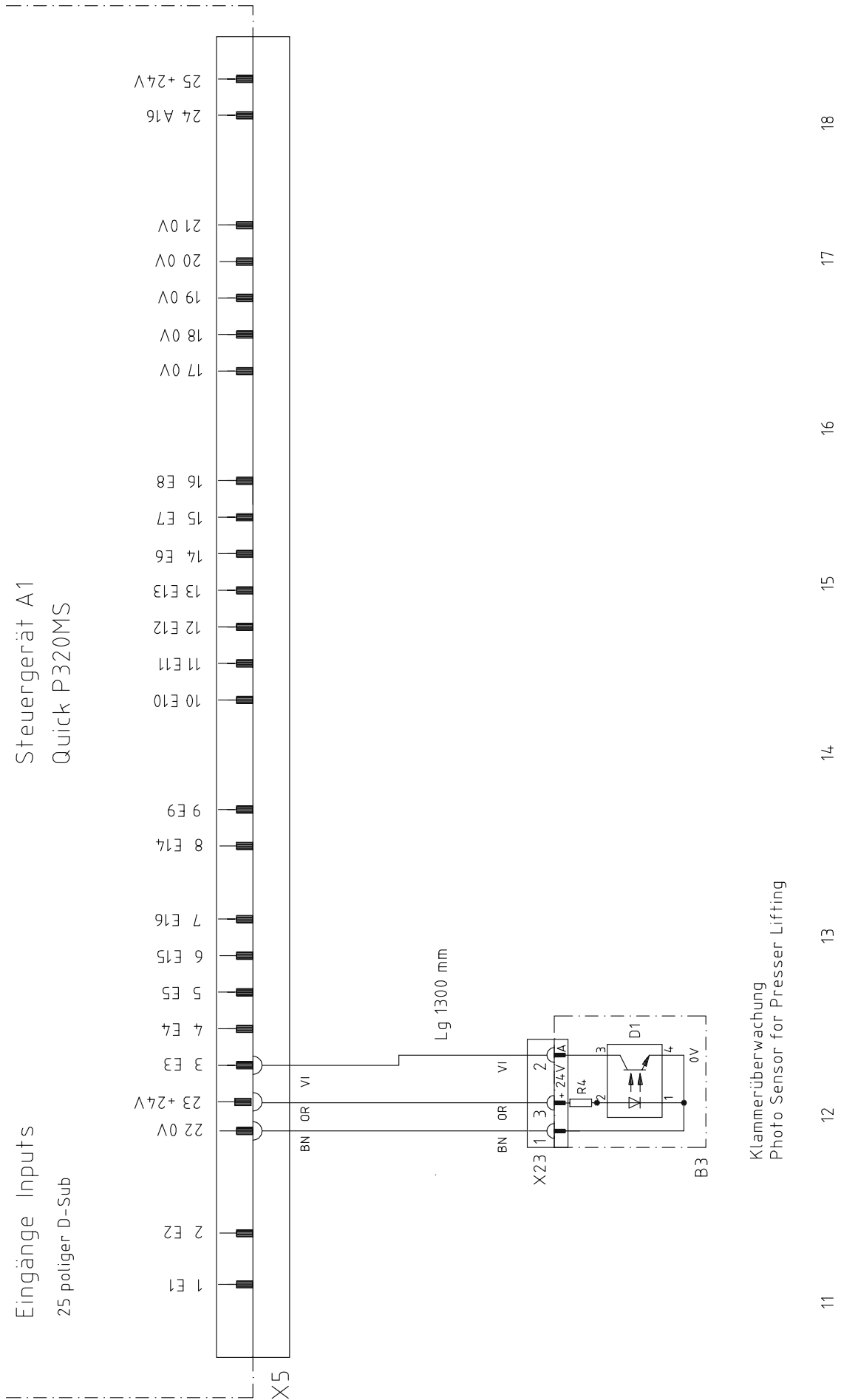
10

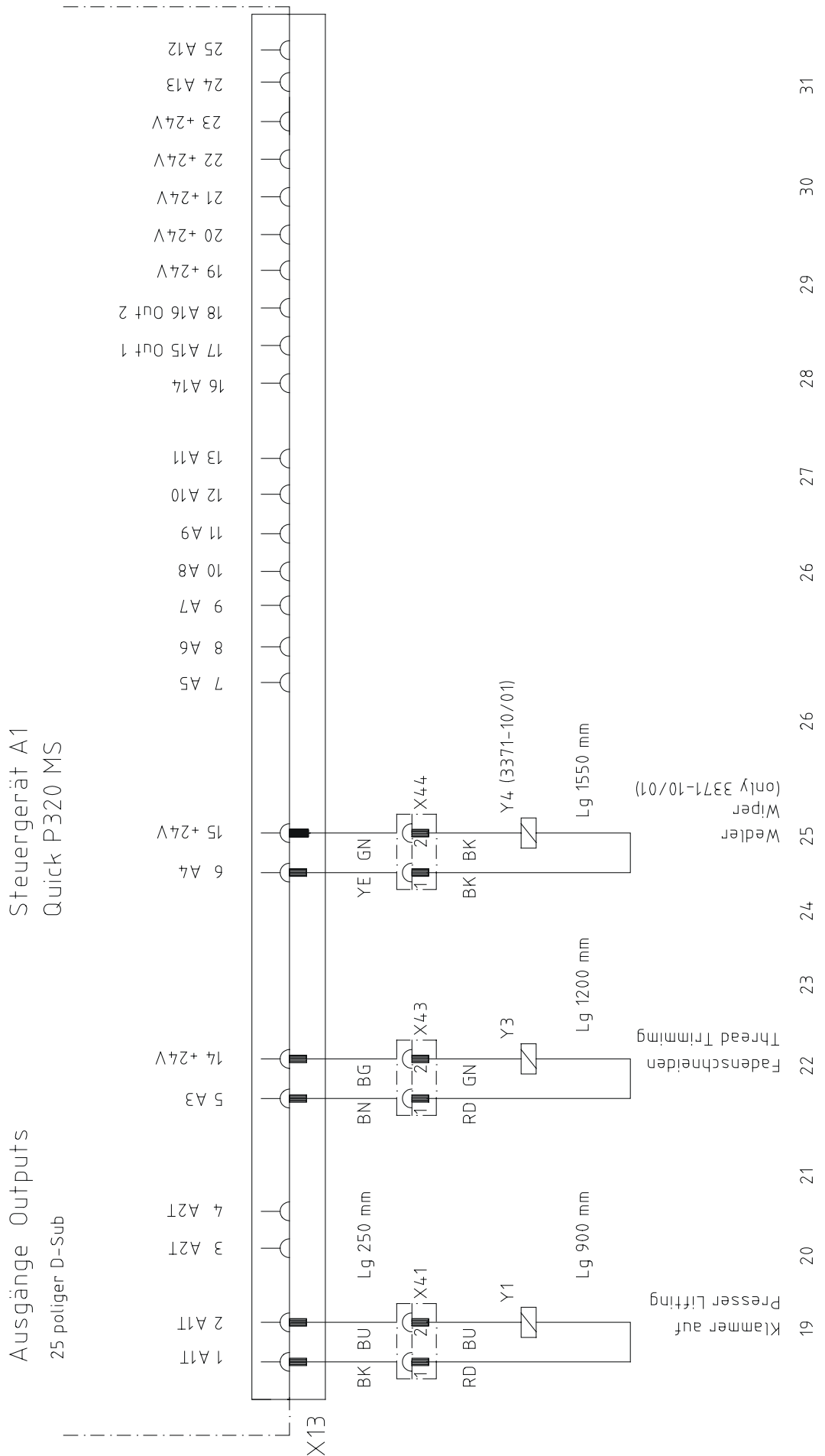
SM2 (Y-axis)

Photointerrupter (Y-axis)

7

8





PFAFF

PFAFF Industrie Maschinen AG

Postfach 3020
D-67653 Kaiserslautern

Königstr. 154
D-67655 Kaiserslautern

Telefon: (0631) 200-0
Telefax: (0631) 17202
E-Mail: info@pfaff-industrial.com