

PFAFF

3588-04/020

Instruction Manual

This instruction manual applies to machines from the following serial numbers onwards:

2565137 →

The reprinting, copying or translation of PFAFF Instruction Manuals, whether in whole or in part, is only permitted with our previous permission and with written reference to the source.

PFAFF Industrie Maschinen GmbH

Postfach 3020

D-67653 Kaiserslautern

Königstr. 154

D-67655 Kaiserslautern

Editing/illustrations

Verlag TD

D-77901 Lahr

Contents	Chapter
Register 01	
Safety	1
Register 02	
Proper use	2
Specifications	3
Disposal of the machine	4
Transport, packaging and storage	5
Explanation of the symbols	6
Register 03	
Controls	7
Register 04	
Mounting and commissioning the machine	8
Register 05	
Preparation	9
Register 06	
Sewing	10
Input mode functions	11
Register 07	
Care and maintenance	12
Adjustment	13
Register 08	
Controller	14
Circuit diagrams	15
Register 09	
Parts list	
Register 10	
Miscellaneous	

	Contents	Chapter
1	Safety	1 - 1
1.01	Directives	1 - 1
1.02	General notes on safety	1 - 1
1.03	Safety symbols	1 - 2
1.04	Important points for the user	1 - 2
1.05	Operating and specialist personnel	1 - 3
1.05.01	Operating personnel	1 - 3
1.05.02	Specialist personnel	1 - 3
1.06	Danger	1 - 4

1 Safety

1.01 Directives

This machine was built in accordance with the European regulations stated in the Conformity and Manufacturer's Declaration.

In addition to this Instruction Manual, also observe all generally accepted, statutory and other regulations and legal requirements - also those of the country in which the machine will be operated - and all valid environmental protection regulations!

Applicable local regulations of the social insurance society for occupational accidents or other supervisory organizations are to be strictly adhered to!

1.02 General notes on safety

- This machine must only be operated by adequately trained operators and only after having completely read and understood the Instruction Manual!
- All Notes on Safety and Instruction Manuals of the motor manufacturer are to be read before operating the machine!
- The Danger and Safety Instructions on the machine itself are to be followed!
- This machine must only be used for the purpose for which it is intended and must not be operated without its safety devices. All applicable safety regulations must be observed.
- When sewing parts (e.g. needle, presser or bobbin) are exchanged, when the machine is being threaded, when the machine is left unattended and during maintenance work, the machine is to be separated from the power supply by turning off the On/Off switch or removing the plug from the mains!
- Daily maintenance work must only be carried out by appropriately trained personnel!
- Repair work and special maintenance work must only be carried out by specialists or appropriately trained personnel!
- Work on electrical equipment must only be carried out by appropriately trained specialist personnel!
- Work is not permitted on parts and equipment which are connected to the power supply! Exceptions to this are contained in the regulations EN 50110.
- Modifications and alterations to the machine must only be carried out pursuant to all relevant safety regulations!
- Only spare parts which have been approved by us are to be used for repairs! We expressly point out that any replacement parts or accessories not supplied by us have not been tested and approved by us. The installation and/or use of any such products may result in negative changes to the constructional characteristics of the machine. We are not liable for any damage which may be caused by non-original parts.

1.03

Safety symbols



Danger!
Points to be observed!



Danger of injury to operating and specialist personnel!



Warning, electric voltage!



Caution

Do not operate without finger guard and safety devices. Before threading, changing bobbin and needle, cleaning etc. switch off main switch.

1.04

Important points for the user

- This Instruction Manual is a component part of the machine and must be available to the operating personnel at all times.
The Instruction Manual must be read before operating the machine for the first time.
- The operating and specialist personnel is to be instructed on the safety equipment of the machine and regarding safe work methods.
- It is the duty of the user to only operate the machine in perfect running order.
- It is the obligation of the user to ensure that none of the safety mechanisms are removed or deactivated.
- It is the obligation of the user to ensure that only authorized persons operate and work on the machine.

Further information can be obtained at the point of sale.

1.05 Operating and specialist personnel

1.05.01 Operating personnel

Operating personnel are persons responsible for the preparation, operating and cleaning of the machine as well as taking care of problems arising in the sewing area.

The operating personnel is obliged to observe the following points and must:

- always observe the Notes on Safety in the Instruction Manual!
- never use any working methods which could reduce the level of safety in using the machine!
- not wear loosely fitting clothing or jewelery such as chains or rings!
- also ensure that only authorized persons have access to the potentially dangerous area around the machine!
- always immediately report to the user any changes in the machine which may reduce its level of safety!

1.05.02 Specialist personnel

Specialist personnel are persons who have completed expert education/training in the fields of electrics, electronics and mechanics. They are responsible for the lubrication, maintenance, repair and adjustment of the machine.

The specialist personnel is obliged to observe the following points and must:

- always observe the Notes on Safety in the Instruction Manual!
- switch off the On/Off switch before carrying out adjustments or repairs and ensure that it cannot be switched on again unintentionally!
- never work on parts and devices which are still connected to the power supply! The only exceptions to this directive are found in the regulations EN 50110.
- replace the protective coverings and close the electrical control box after all repairs or maintenance work!

1.06

Danger



A working area of **1 meter** is to be kept free both in front of and behind the machine while it is in operation, so that it is always easily accessible.



Never reach into the sewing area while sewing!
Danger of injury by the needle!



Never leave objects on the table while adjusting the machine settings! Objects can become trapped or be slung away!
Danger of injury by hurled objects!

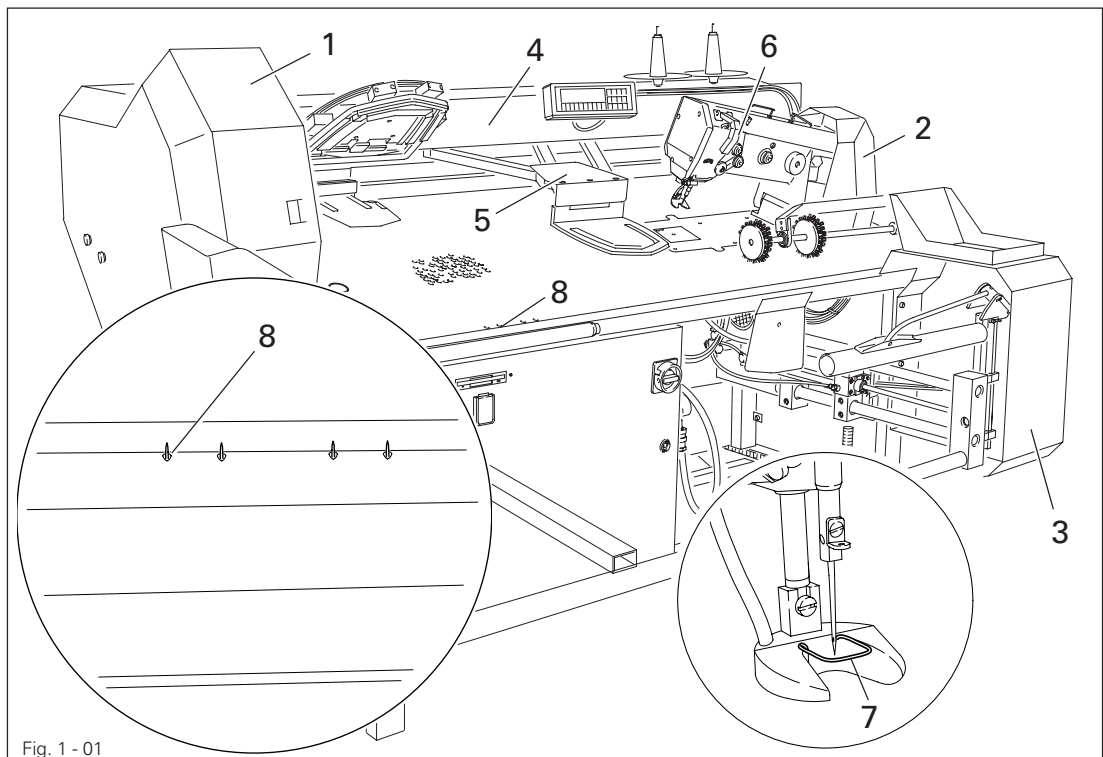


Fig. 1 - 01



Do not operate the machine without protective covers **1, 2, 3, 4** and **5**!
Danger of crushing between moving parts of the pneumatic or feed systems!



Do not operate the machine without take-up lever guard **6**!
Danger of injury by the movement of the take-up lever!



Do not operate the machine without the finger guard **7**!
Danger of injury by the needle!



Do not put your hands or fingers in needles **8** of the fabric retainer!
With the needle strip engaged (needles up) there is danger of injury near the needle strip due to the projecting needles!

	Contents	Chapter
2	Proper use	2 - 1
3	Specifications	3 - 1
4	Disposal of the machine	4 - 1
5	Transport, packaging and storage	5 - 1
5.01	Transport to the customer's premises	5 - 1
5.02	Transport within the customer's premises	5 - 1
5.03	Disposal of the packaging	5 - 1
5.04	Storage	5 - 1
6	Explanation of the symbols	6 - 1

2 Proper use

The PFAFF 3588-04/020 is used for folding and sewing on pockets on jeans, workwear and similar garments.



Any and all uses of this machine which have not been approved of by the manufacturer are considered to be inappropriate! The manufacturer cannot be held liable for any damage caused by the inappropriate use of the machine! The appropriate use of the machine means that all operational, adjustment, maintenance and repair measures required by the manufacturer are to be observed!

3 Specifications ▲

Sewing head: PFAFF sewing head for mechanized sewing units with vertical hook

Sewing speed: max. 4000 spm

Stitch length: max. 6 mm

Stitch type: 301 (lockstitch)

Needle system: 134, 1955

Needle size: 100 - 140 Nm / MR3 - MR5

Sewing motor: PFAFF Syncro 6040

Motor speed: max. 4000 rpm

Connection voltage: 230 V, 50 - 60 Hz AC

Power requirement: 2.2 kW

Range of control: 250 x 250 mm

Storage capacity: 320 KB

Working air pressure: min. 6 bar

Air consumption: approx. 25 l / cycle

Working noise level:

Emission at workplace at n = 4000 spm: 78 dB(A)

(Noise measurement in accordance with DIN 45 635-48-A-1)

Dimensions of machine:

Length: approx. 2250 mm

Width: approx. 1150 mm

Height: approx. 1450 mm

Table height: 870 - 1170 mm

Net weight: 600 kg

▲ Subject to alteration

4 Disposal of the machine

- The proper disposal of the machine is the responsibility of the customer.
- The materials used for the machine are steel, aluminium, brass and various plastics. The electrical equipment consists of plastics and copper.
- The machine must be disposed of in accordance with applicable local environmental protection regulations. If necessary, a specialist is to be commissioned.



Special care is to be taken that parts soiled by lubricants are separately disposed of in accordance with the applicable local environmental protection regulations!

5 Transport, packaging and storage

5.01 Transport to the customer's premises

Within Germany, machines are delivered without packaging.
Machines for export are packaged.

5.02 Transport within the customer's premises

The manufacturer bears no liability for transport within the customer's premises or to the location of use.

The machine may only be transported in an upright position.

5.03 Disposal of the packaging

The packaging of these machines consists of paper, cardboard and VCE fiber.
The proper disposal of the packaging is the responsibility of the customer.

5.04 Storage

The machine can be stored for up to 6 months if not in use. During this time it should be protected from dust and moisture.

For longer storage the individual parts of the machine, especially the moving parts, should be protected against corrosion, e.g. by a film of oil.

Explanation of the symbols

6 Explanation of the symbols

In this Instruction Manual, tasks to be carried out and important information are drawn to your attention by symbols. The symbols have the following meanings:



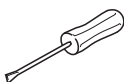
Note, information



Cleaning, care



Lubrication

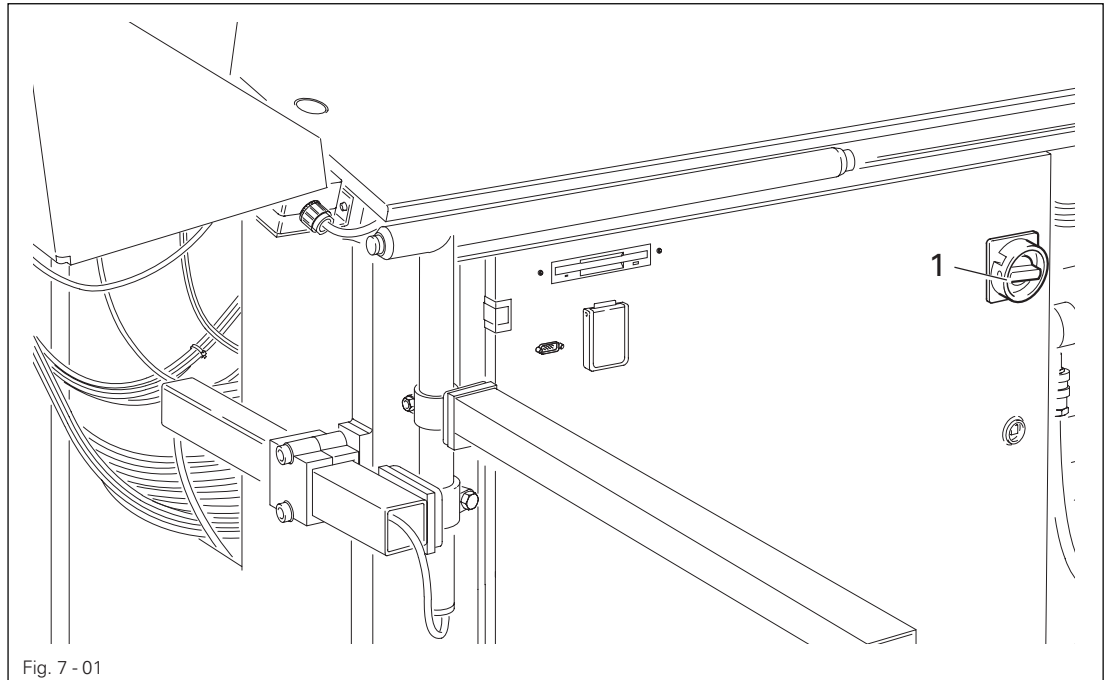


Servicing, repairing, adjustment, maintenance
(only to be carried out by specialist personnel)

	Contents	Chapter - Page
7	Controls	7 - 1
7.01	On/off switch	7 - 1
7.02	Stop switch	7 - 1
7.03	Switch for the inserting function	7 - 2
7.04	Double-start keys	7 - 4
7.05	Handwheel	7 - 4
7.06	Control panel	7 - 5
7.06.01	Display	7 - 5
7.06.02	Operation-mode keys	7 - 6
7.06.03	Function keys	7 - 6
7.06.04	Number keys	7 - 6

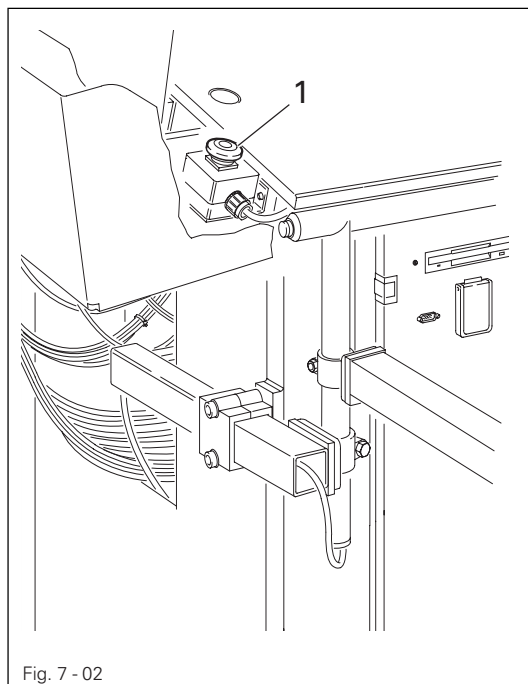
7 Controls

7.01 On/off switch



- By turning on/off switch 1, the power supply to the machine is switched on or off.

7.02 Stop switch



- By pressing the stop switch 1, the complete work cycle is stopped.



Refer to chapter 10.04 Program interruption.

7.03

Switch for the loading function

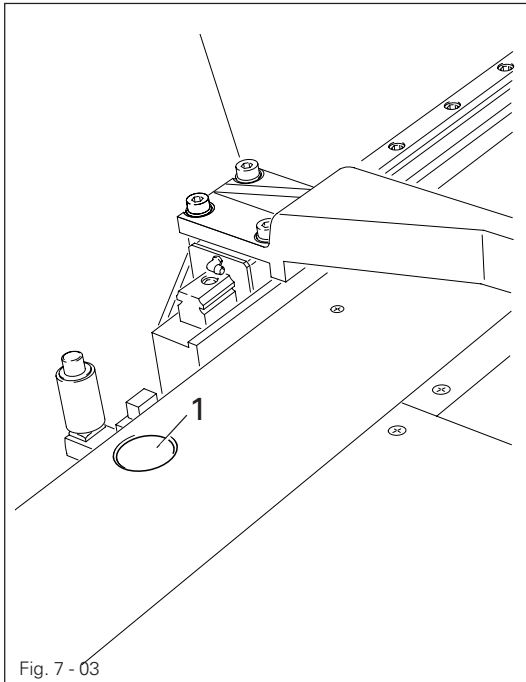


Fig. 7 - 03

- The function of the switch 1 can be adapted to the various requirements for loading the workpiece.



The foot switch is adjusted via the menu. Refer to **chapter 11.05 Functions in the INPUT mode.**



With the needle strip engaged (needles up) there is danger of injury near the needle strip due to the projecting needles!

By selecting the functions BASIC POSITION POCKET PLATE FRONT or BASIC POSITION POCKET PLATE BACK and by switching the function UNI-MATERIAL on or off, the following menu combinations can be created:

Menu combinations	Switch functions
BASIC POSITION POCKET PLATE FRONT and UNI-MATERIAL ON	Switch fabric suction/needle strip on/off
BASIC POSITION POCKET PLATE FRONT on PLAIN-MATERIAL OFF	<p>1st actuation: Fabric suction/needle strip on.</p> <p>2nd actuation: Lower pocket plate and raise it a little. Switch off fabric suction/needle strip.</p> <p>3rd and further actuations: Lower pocket plate and raise it a little. Switch fabric suction/needle strip on/off.</p>

Menu combinations	Switch functions
<p>BASIC POSITION POCKET PLATE BACK PLAIN-MATERIAL OFF</p>	<p>1st Actuation: Fabric suction/needle strip on.</p> <p>2nd actuation: Move pocket plate forward.</p> <p>3rd and further actuations: Switch fabric suction/needle strip on/off.</p>
<p>BASIC POSITION POCKET PLATE BACK PLAIN-MATERIAL OFF</p>	<p>1st actuation: Move pocket plate forward/switch fabric suction/needle strip on.</p> <p>2nd actuation: Lower pocket plate and raise it a little. Switch fabric suction/needle strip off.</p> <p>3rd and further actuations: Lower pocket plate and raise it a little. Switch fabric suction/needle strip on/off.</p>

7.04

Double-start keys

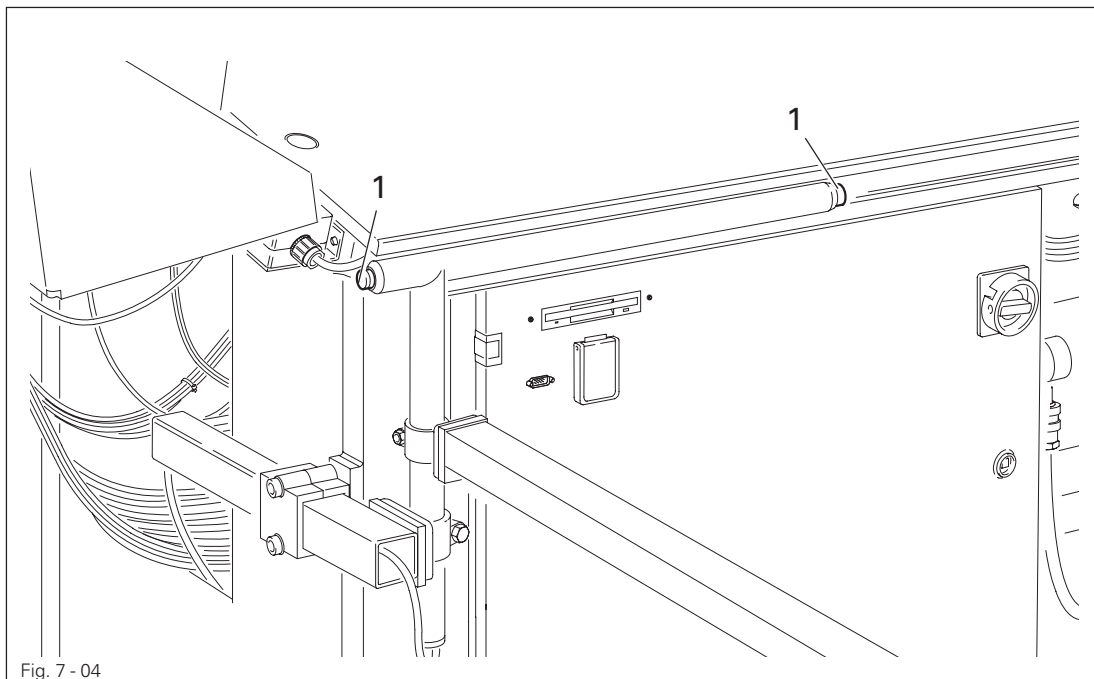


Fig. 7 - 04

- In **MANUAL** operation mode, when both double-start keys **1** are activated simultaneously the folder is moved forward and lowered.
- In **AUTOMATIC** operation mode, when both double-start keys **1** are activated simultaneously the entire program sequence is started.
- The double-start keys **1** also are used to continue the program after the bobbin has been replaced or the program has been interrupted.

7.05

Handwheel

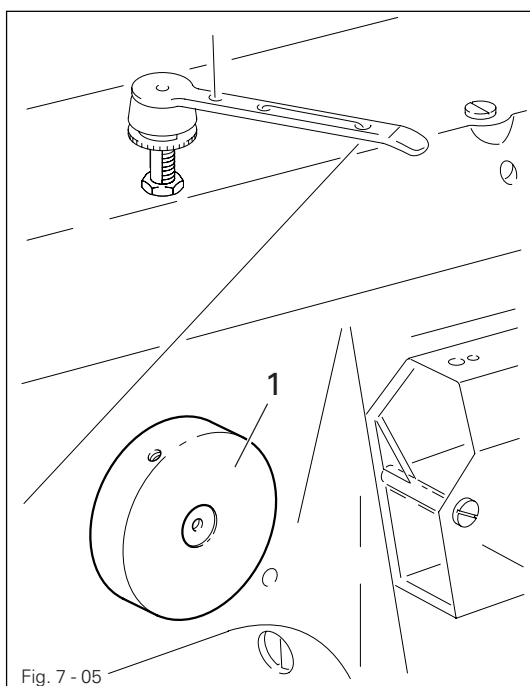


Fig. 7 - 05

- By turning and simultaneously pushing the handwheel **1** in, the needle bar can be positioned manually as required.

7.06 Control panel

The control panel 1 consists of the display and two key panels.

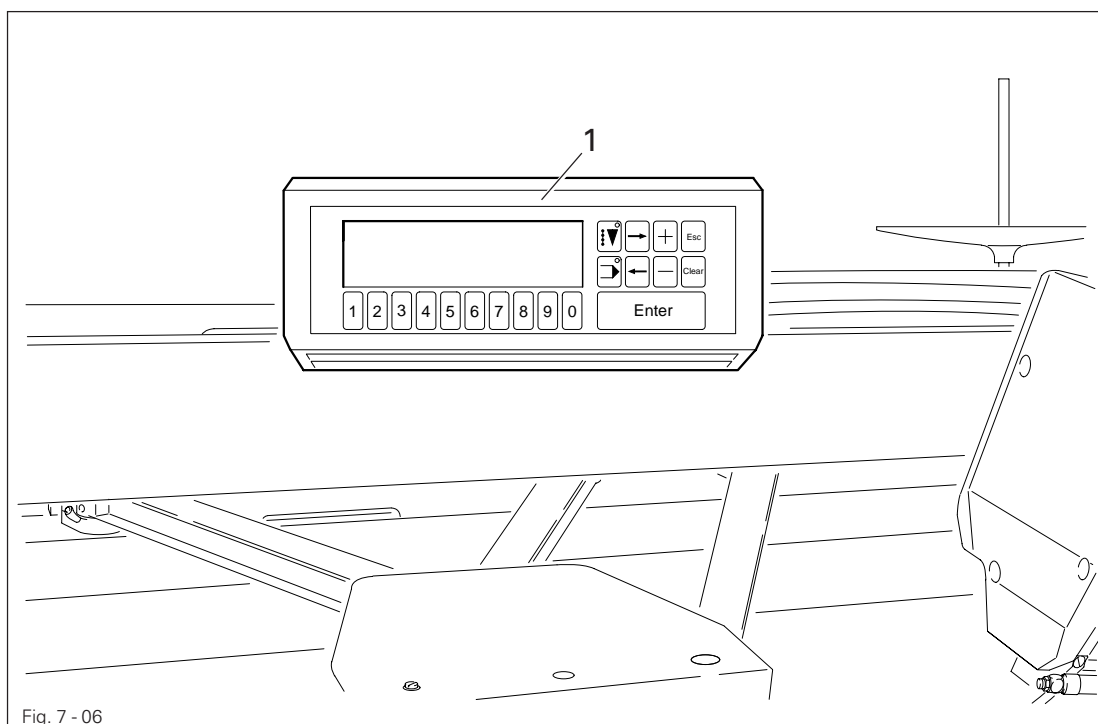


Fig. 7 - 06

7.06.01 Display

In the basic screen the messages in the display are divided into three sections:

Status bar

The status bar is in the upper section of the display. Here, up to 5 pictograms with the corresponding values can be displayed (refer to **chapter 10.01 Status bar**)

Text field

The text field is in the middle section of the screen. Here, messages can be displayed in 2 lines.

Pictogram bar

The pictogram bar is found at the bottom of the display. Here, symbols are displayed whose corresponding function can be called up via the **number keys**. Active functions are shown by a symbol displayed on a dark background.

Example:



Normal symbol (function not active)

The **manual sewing** function is not activated, but the **automatic sewing** function is activated.



Symbol on dark background (function active)

Manual sewing is activated.

7.06.02 Operation-mode keys

By pressing the corresponding key, one of two possible operation modes can be selected. The selected mode is indicated by the light emitting diode in the respective key.

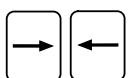


SEWING mode



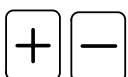
INPUT mode

7.06.03 Function keys



Arrow keys (right/left)

- To jump to another menu page
- To position the cursor when entering several values in one line



Plus/Minus keys

- To select the +/- sign on input values
- To raise and lower input values



Esc key

- To interrupt functions without taking on the value entered
- To return to superordinate menu functions



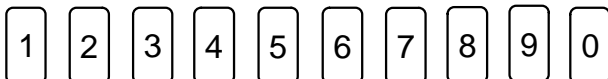
Clear key

- To reset the input value to 0

Enter key

- To confirm an input value
- To acknowledge an error after an error message

7.06.04 Number keys



Below the display there is a row of number keys (1 - 0).

Depending on the current operating mode, these keys have the following functions:

- carrying out the function shown by the symbol displayed above the number key
- entering a numerical value
- selecting functions or menu levels

	Contents	Chapter - Page
8	Mounting and commissioning the machine	8 - 1
8.01	Mounting	8 - 1
8.02	Removing the transit support bracket	8 - 2
8.03	Mounting the spool holder	8 - 2
8.04	Commissioning	8 - 3
8.05	Turning the machine on/off	8 - 4
8.06	Disk drive and PC interface	8 - 4
8.07	Adjusting zero point	8 - 5

8 Mounting and commissioning the machine

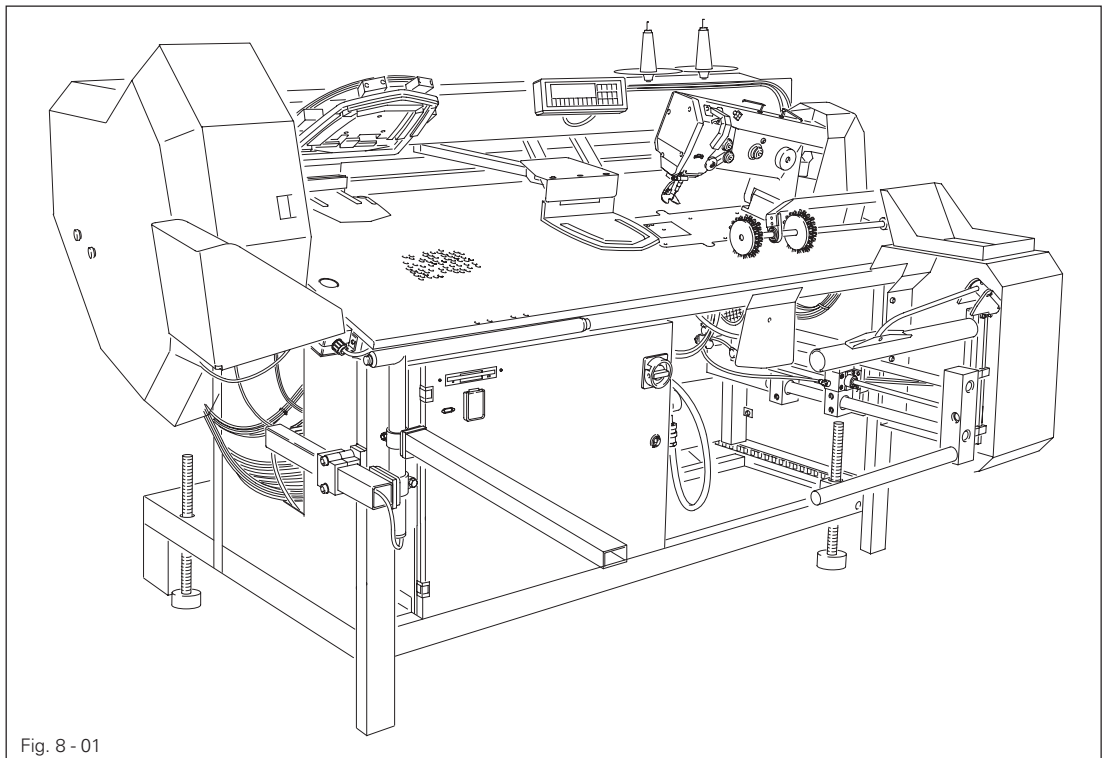
After unpacking the machine, check it for any transport damage. In case of damage, inform the shipping company and the responsible PFAFF dealer.



The machine must only be mounted and commissioned by qualified personnel!
All relevant safety regulations are to be observed!

8.01 Mounting

At the machine's location, there must be a stable and horizontal surface as well as suitable electricity and compressed air supplies (see **chapter 3 Specifications**).



- Lift the machine with a forklift from the shipping pallet.

For machines without vertical adjustment:

- Align the machine horizontally just above the floor and move the four legs accordingly before setting the machine down on the ground.

For machines with vertical adjustment:

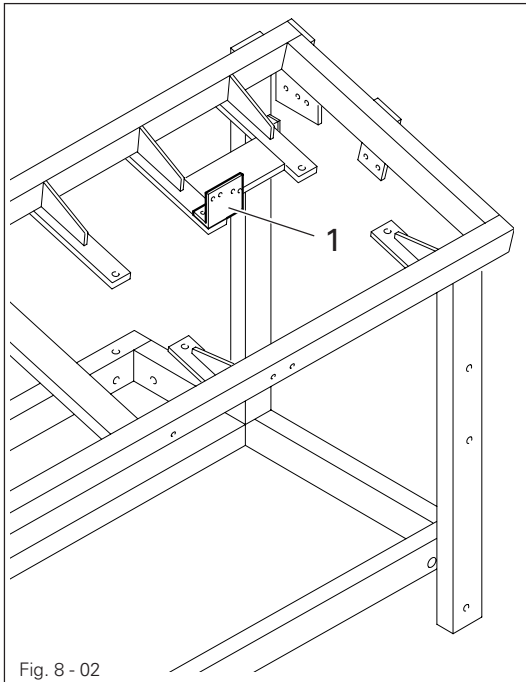
- Set down the machine on the ground and align it by turning the four spindles.



The vertical adjustment is available as an optional feature.
Fig. 8-01 shows a machine with vertical adjustment.

Mounting and commissioning the machine

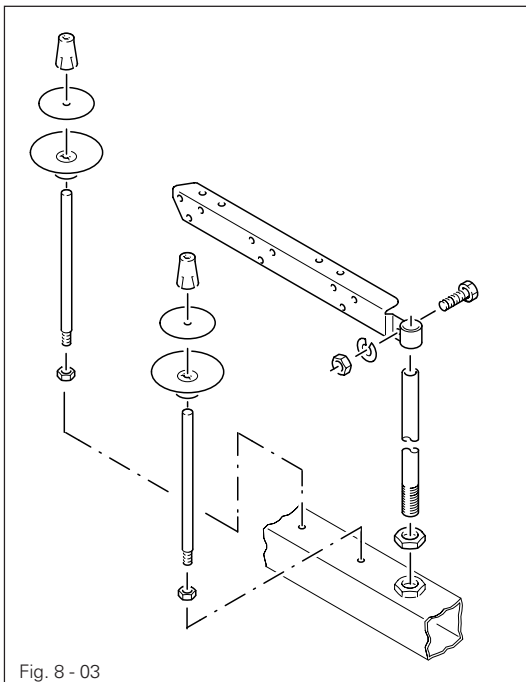
8.02 Removing the transit support bracket



Before the machine is commissioned, transit support bracket 1 must be removed!

Transit support bracket 1 serves to secure the sewing machine during transit and must not be used during sewing.

8.03 Mounting the spool holder



- Mount the spool holder according to Fig. 8.03.

8.04 Commissioning

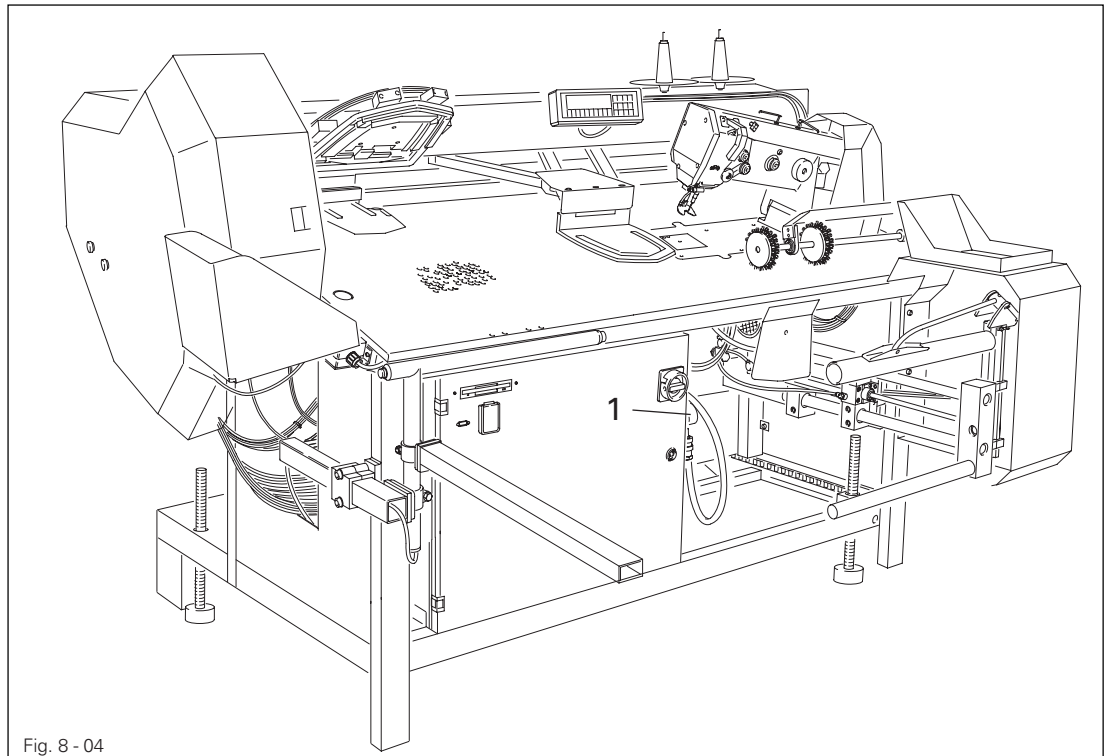
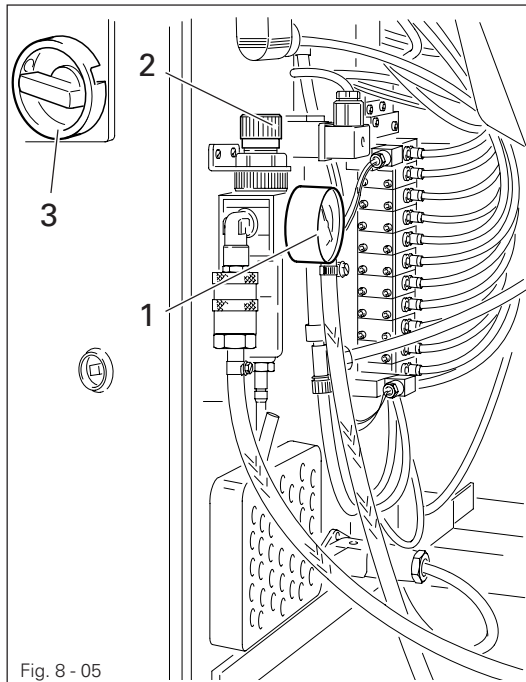


Fig. 8 - 04

- Clean the whole machine thoroughly and check the electrical leads and pneumatic connecting tubes for any damage.
- Make sure that the mains voltage corresponds to the connection voltage of the machine (see **chapter 3 Specifications**). If the mains voltage and the connection voltage differ, the machine must not be operated under any circumstances.
- Have specialists connect the machine to the mains.
- Oil the machine and/or fill with oil (see **chapter 12 Care and maintenance**).
- Connect machine to the compressed air system. The manometer on the air filter/lubricator unit must display a pressure of **6 bar**. If necessary, set to the correct value (see **chapter 12.05 Checking / regulating air compression**).

Mounting and commissioning the machine

8.05 Turning the machine on/off



- Check air pressure on the manometer 1. If necessary, adjust the air pressure on adjusting knob 2.
- Turn On/Off switch 3 to position "I".



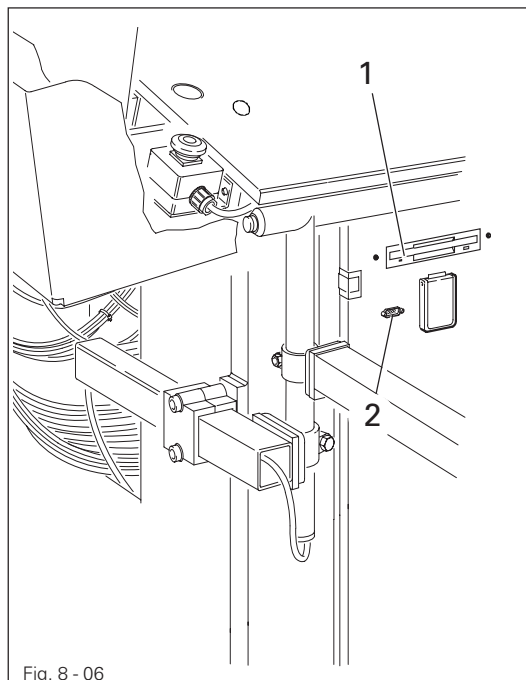
After the machine has been switched on, it is always in the **automatic sewing mode**.



When commissioning the machine, the zero point must be checked and, if necessary, adjusted (see **chapter 8.07 Adjusting zero point**).

- To switch off the machine, turn the On/Off switch 3 to position "0".

8.06 Disk drive and PC interface



- Disk drive 1 can be used to read in seam programs and operating software.
- Socket 2 is for connecting the programming system OSCA.



With OSCA existing CAD data records can be used to generate seam programs.

8.07 Adjusting zero point



It is necessary to adjust the zero point when the machine is commissioned and after replacing the Controller or one of the proximity switches of the sewing jig transport.



- Select **INPUT** mode.



- Select **Input menu** function (number key 0).



- Select the **SERVICE** function.



- Select the **ADJUST ZERO POINT** function.

- Enter the code number via the **number keys**.



The four-digit code number (factory setting: 3588) can be altered via the menu functions. Please see **chapter 11.03 Summary of the service functions** and **11.05 Functions in the INPUT mode.**)

Gauge position



- Select the **GAUGE POSITION** function.



- Press the **plus key** to position the sewing jig transport in the gauge position.

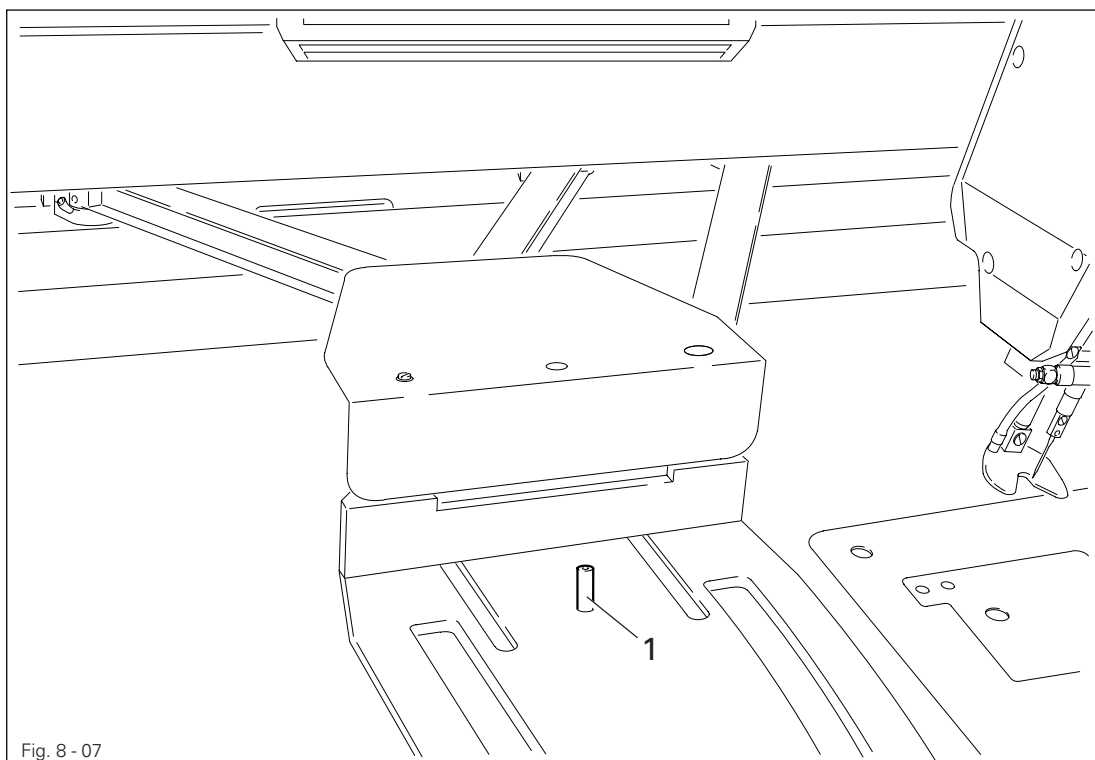


Fig. 8 - 07

- Check if adjustment pin 1 can be inserted in the holes of the sewing jig and table when the sewing jig is in this position.

Mounting and commissioning the machine

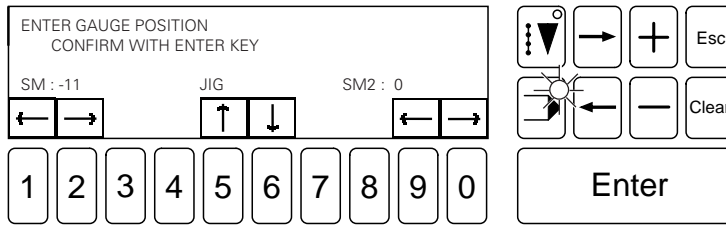


Fig. 8 - 08

- If required, correct the position of the sewing jig with the **number keys** (according to the function shown in the display).



- Confirm by pressing **Enter** and remove adjustment pin 1 from the holes.

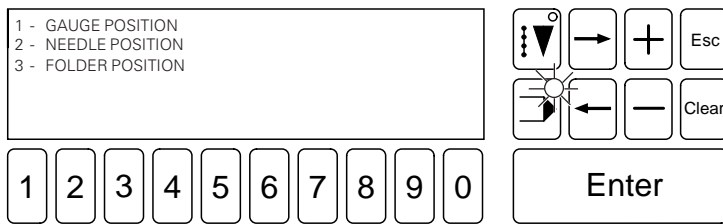
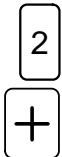


Fig. 8 - 09

Needle position



- Select the **NEEDLE POSITION** function from the menu for adjusting the zero point.
- Press the **plus key** to position the sewing jig transport in needle position.

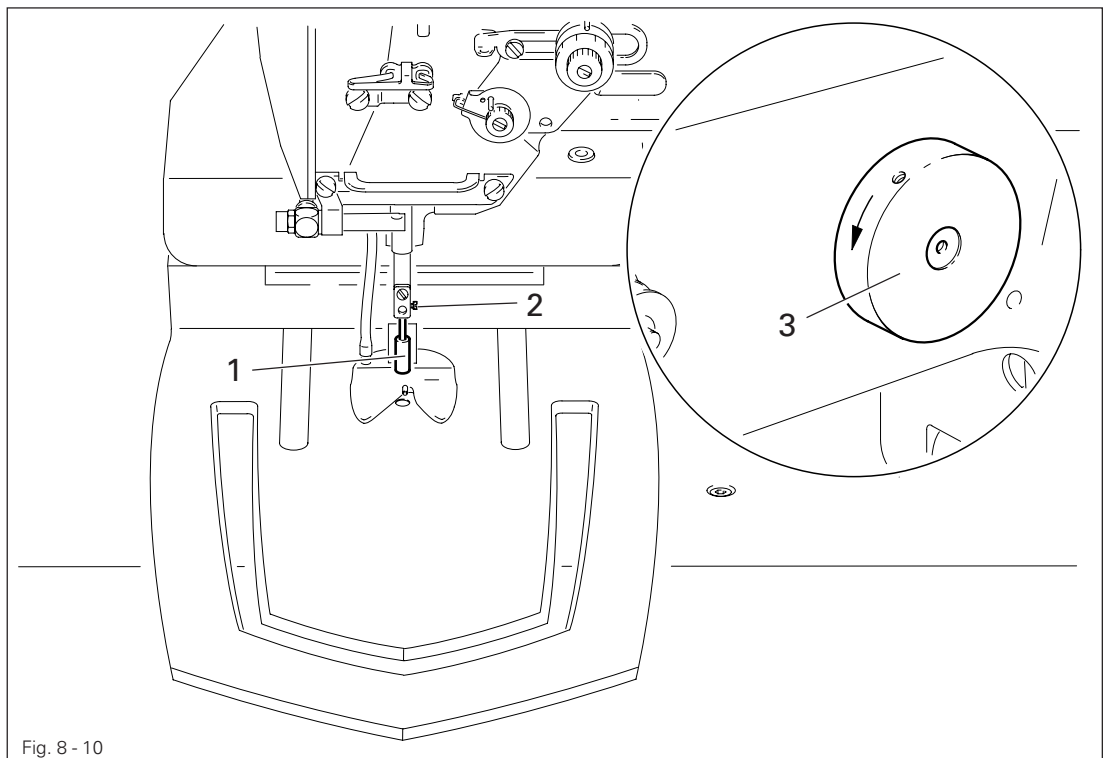


Fig. 8 - 10

- Secure adjustment pin 1 in the needle bar using screw 2.
- Check by turning handwheel 3 whether the adjustment pin 1 can be guided into the adjustment hole of the sewing jig.

Mounting and commissioning the machine

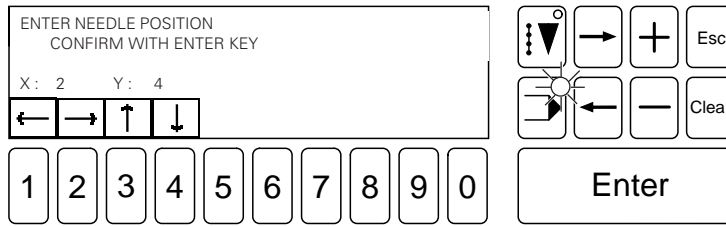


Fig. 8 - 11

- If required, correct the position of the sewing jig with the **number keys** (according to the function shown in the display).
- Confirm by pressing **Enter**, loosen screw 2 and remove adjustment pin 1.

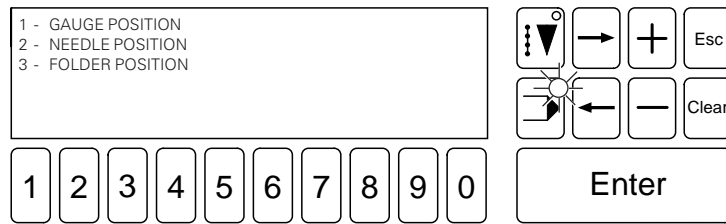


Fig. 8 - 12

Folder position



- Select the FOLDER POSITION function from the menu for adjusting the zero point.



- Press the **plus key** to position the sewing jig transport in folder position.

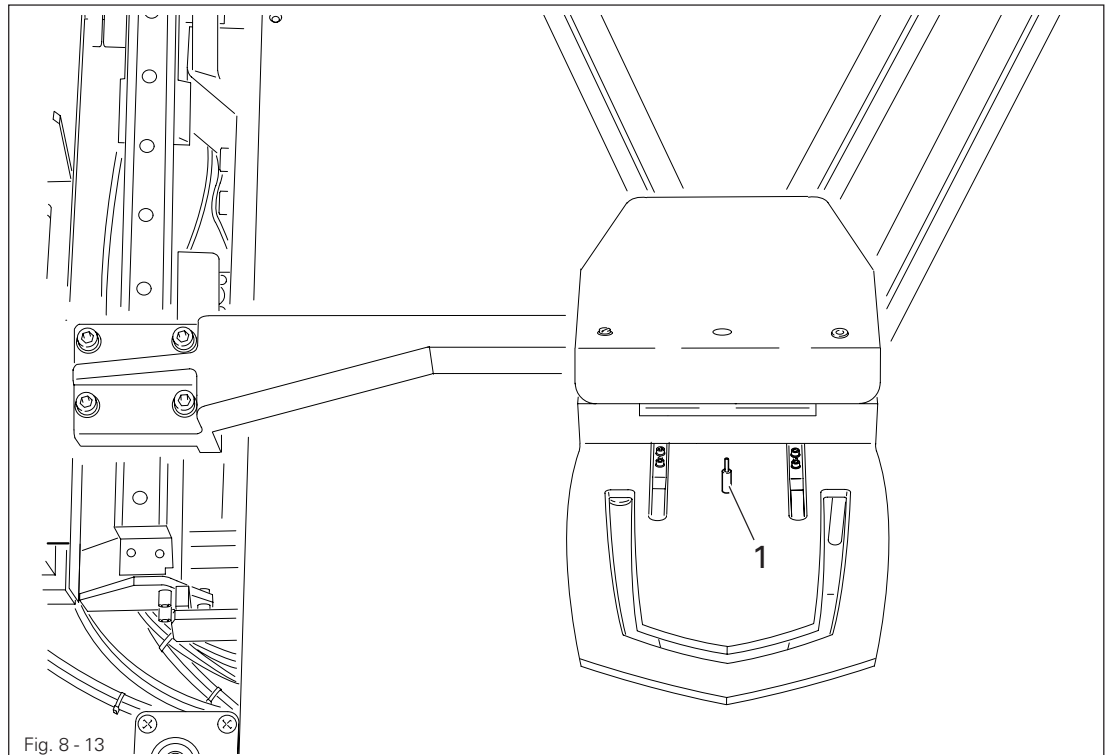


Fig. 8 - 13

- Check whether adjustment pin 1 can be guided into the adjustment hole of the sewing jig and the pocket plate.

Mounting and commissioning the machine

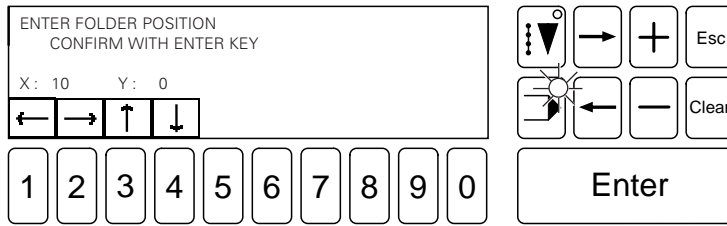


Fig. 8 - 14

- If necessary, correct the position of the sewing jig in the X-direction using the **number keys** according to the functions shown in the display.
- Set the value for the Y-direction at "0" and if necessary correct the position of the pocket plate according to **Chapter 13.06.05, Pocket plate position, front**.
- Verify the input by pressing the **Enter** key and remove the blocking pin..

Enter



- Select **Sewing mode**.



If you have not entered and selected a sewing program (see **chapter 9.06 Selecting a seam program**) an error message will be displayed.



- Select the **basic position** function.
(The machine is ready for operation.)

	Contents	Chapter - Page
9	Preparation	9 - 1
9.01	Inserting the needle	9 - 1
9.02	Winding the bobbin thread / adjusting the thread tension	9 - 2
9.03	Changing the bobbin / adjusting the bobbin thread tension	9 - 3
9.04	Threading the needle / adjusting the needle thread tension	9 - 4
9.05	Selecting a language	9 - 5
9.06	Selecting a seam program	9 - 6
9.07	Automatic change in program station	9 - 7
9.08	Edge folder configuration	9 - 8
9.09	Jig monitor (optional)	9 - 9
9.09.01	Activating jig monitor	9 - 9
9.09.02	Determining the jig code	9 - 10
9.10	Changing the part set	9 - 11
9.11	Loading of the cuttings	9 - 12

9 Preparation

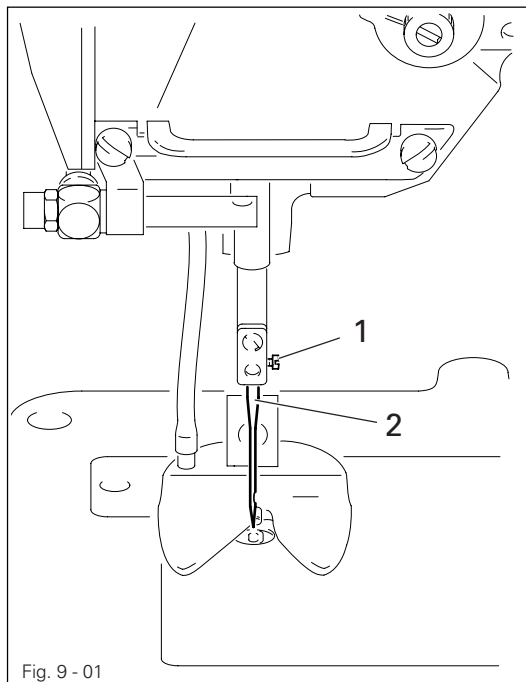


All regulations and instructions in this Instruction Manual are to be observed!
Special attention is to be paid to the safety regulations!



All preparation work is only to be carried out by appropriately trained personnel!

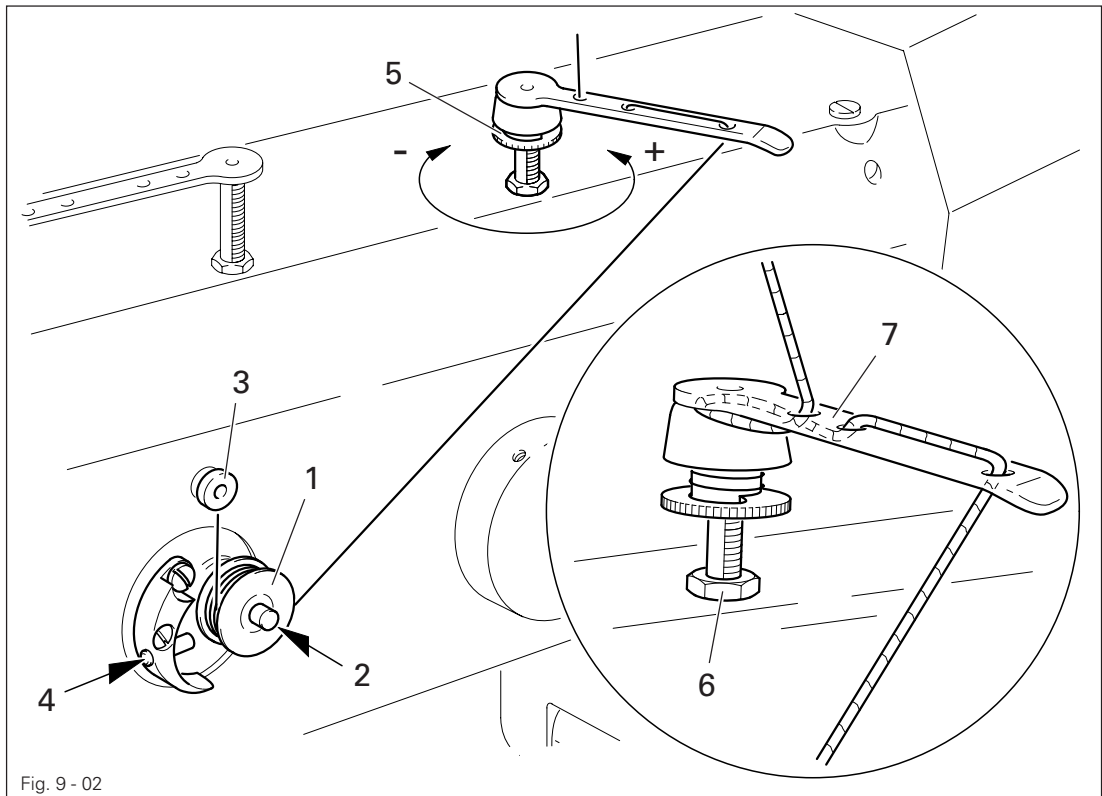
9.01 Inserting the needle



Turn the machine off!
Danger of injury if the machine starts up suddenly!

Only use **134** or **1955** system needles!

- Raise the needle bar to its highest position by turning the handwheel.
- Loosen screw **1** and insert needle **2** in the needle bar as far as it will go.
- Align needle **2** in such a way that the long needle groove is pointing to the folder station and tighten screw **1**.



- Place an empty bobbin 1 onto shaft 2.
- Thread the bobbin in accordance with Fig. 9-02 and wind it clockwise around bobbin 1 a few times.
- Cut thread end using thread cutter 3.
- Switch on the bobbin winder by pressing the spindle 2 and cam 4 simultaneously.



The bobbin 1 fills up while you are sewing.

- The thread tension on bobbin 1 can be adjusted with screw 5.
- The bobbin winder stops automatically when bobbin 1 is full.

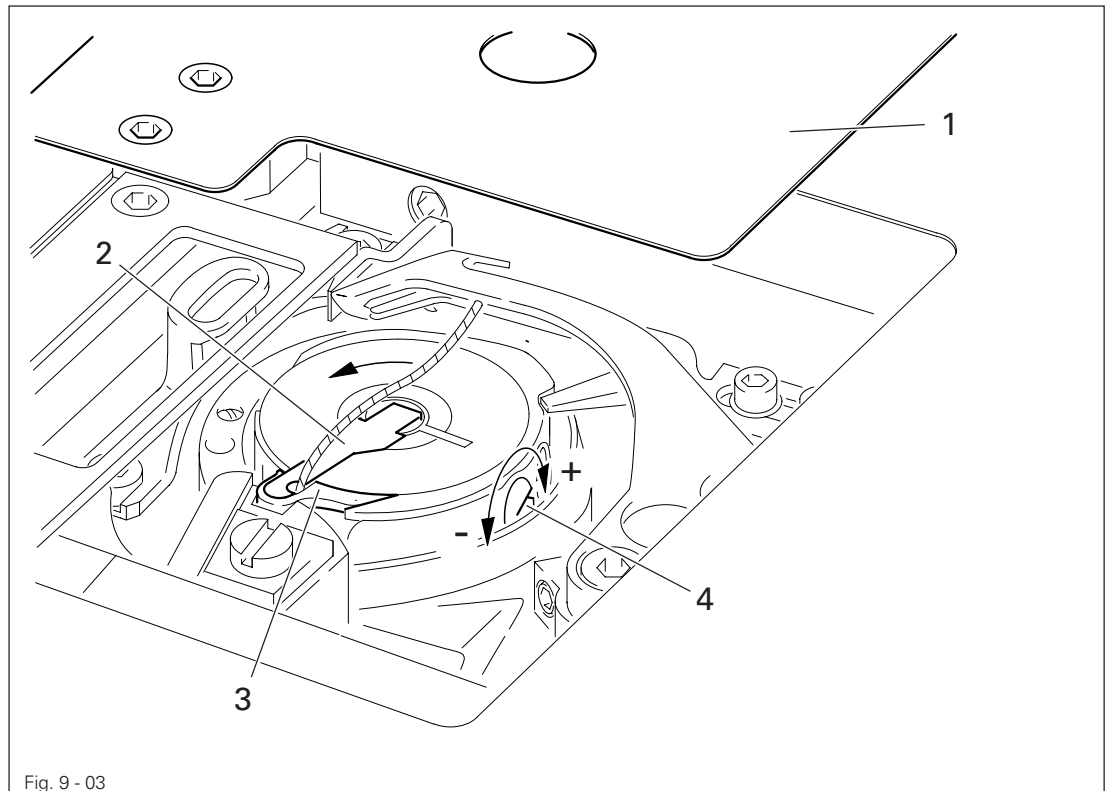


To adjust the filling amount, see chapter 13.05.22 Bobbin winder.

If the thread is wound unevenly:

- Loosen nut 6.
- Turn thread guide 7 accordingly.
- Tighten nut 6.

9.03 Changing the bobbin / adjusting the bobbin thread tension

**Automatic SEWING**

- If the number of the stitches previously entered via the BOBBIN-THREAD PRESELECT function (see **chapter 11.05 Functions in the INPUT mode**) has been carried out, the sewing jig automatically moves to the folder station and stops there. The hook compartment cover **1** opens.
- Change bobbin / adjust bobbin thread tension (see next section).
- Confirm bobbin change by pressing **Enter**.
- Press double-start keys (see **chapter 7.04 Double-start keys**). (The program cycle continues).

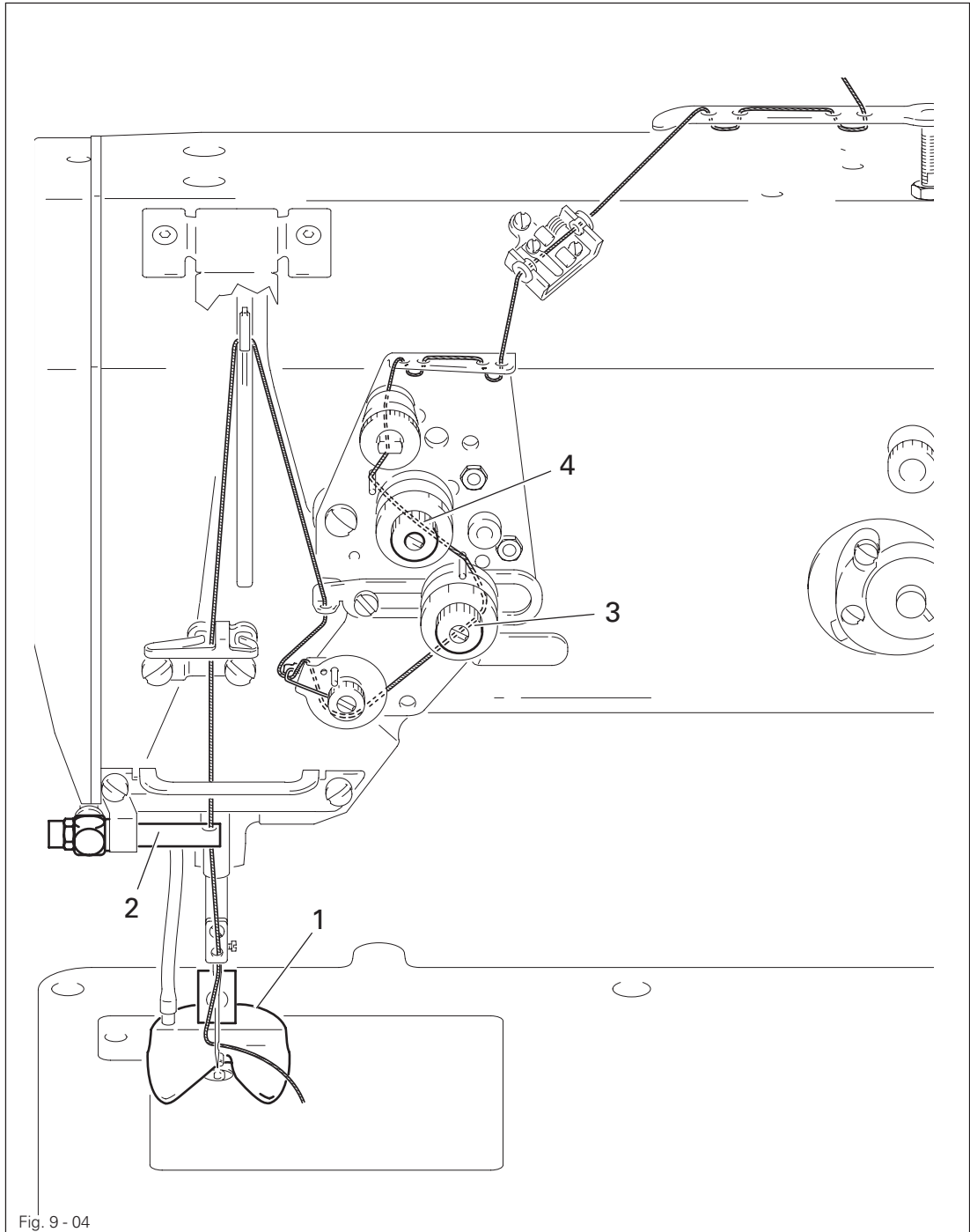
Enter

Manual SEWING

- Select **Change bobbin** function (number key 8).
- Change bobbin / adjust bobbin thread tension (see next section).
- Press double-start keys (hook compartment cover closes).

To change the bobbin/To adjust the bobbin thread tension:

- Lift latch **2** and remove empty bobbin.
- Insert a full bobbin into the hook so that it rotates in the direction of the arrow when pulling the thread.
- Close latch **2**.
- Guide the thread first through the groove, then around the horn of bobbin case **3** and finally into the recess of latch **2**.
- Adjust the bobbin thread tension by turning screw **4**.



- Lower presser foot 1 (number key 2).
(Thread trapper 2 opens).

- Thread the needle according to Fig. 9-04.



- Adjust the needle thread tension by turning knurled screws 3.
- Raise presser foot 1 (number key 2).
(Thread trapper 2 closes.)



The secondary tension can be adjusted by turning knurled screw 4.

9.05 Selecting a language



- Select **INPUT** mode by pressing the respective key.



Depending on the setting and configuration of the machine the displayed status bar may differ from the following example.

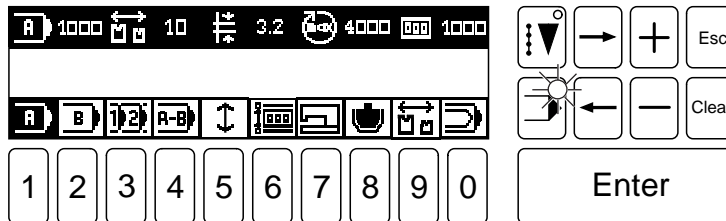


Fig. 9 - 05



- Select the **input menu** function (number key 0).

4

- Select the **SWITCH FUNCTIONS** function with **number key 4**.

2

- Select the **LANGUAGES** function with **number key 2**.

1 to 6

- Select the desired language with the **number keys 1 - 7**:

- | | | |
|---|---|------|
| 1 | = | (D) |
| 2 | = | (GB) |
| 3 | = | (F) |
| 4 | = | (E) |
| 5 | = | (I) |
| 6 | = | (PL) |
| 7 | = | (TR) |

- The language selected is assumed immediately once the corresponding number has been entered.

9.06 Selecting a seam program



When changing to a different seam program, please make sure that the part set (folder, pocket plate and sewing jig) correspond to the new seam program. If the wrong combination of parts and seam program is used, the machine may be damaged seriously!



- Select **INPUT** mode by pressing the respective key.



Depending on the setting and configuration of the machine the displayed status bar may be different from the following example.

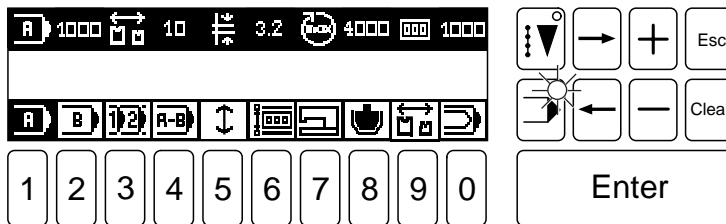


Fig. 9 - 06



or



- Activate the program station in which the seam program to be selected is to be stored (number key 1 or 2).



- Select the **Program number selection** function (number key 3).



to



- Select a previously entered seam program using the **number keys**.



Fig. 9 - 07



- If required, press **right arrow key** to go to parts program number selection.



to



- Select a previously entered parts program using the **number keys**.

Enter

- Confirm the selection by pressing **Enter**.



It is possible to transfer seam programs from a disk to the machine memory. To do this, a disk drive must be connected (see **chapter 8.06 Connecting a disk drive**) and the READ/WRITE PROGRAM function must be selected (see **chapter 11.05 Functions in the INPUT mode**).



If you want to create a seam program on the control panel, use the CREATE/MODIFY PROGRAMM function (see **chapter 11.05 Functions in the INPUT mode**).

9.07 Automatic change in program station



If you want to change back and forth between two seam programs, a program must be stored in each of both program stations (see chapter 9.06 Selecting a seam program).



- Select the **INPUT** mode by pressing the respective key.



Depending on the setting and configuration of the machine the displayed status bar may differ from the following example.



Fig. 9 - 08



- Activate the **Automatic change in program station** function (number key 4).



or



- Select the program station with which you would like to start (number keys 1 or 2).

9.08 Edge folder configuration

With this function enabled, the program stations (A and B) may have different edge-folder configurations assigned to them.



- Press the key to call up the INPUT mode.



Depending on the machine position and configuration, the illustration of the status line may differ from the following example:

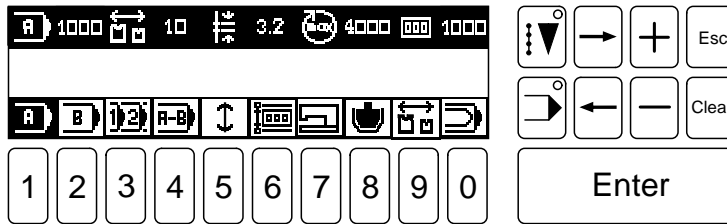


Fig. 9 - 09



- Call up the **edge folder functions** (number key 8).



- Scroll through the menu page using the **right arrow key**.



- Call up the EDGE FOLDER CONFIGURATION function.



or



- Switch the function on or off using **number keys 1 or 0**.

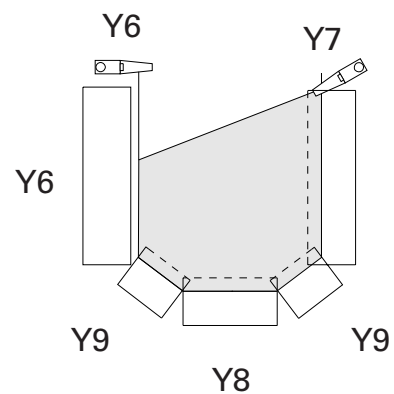
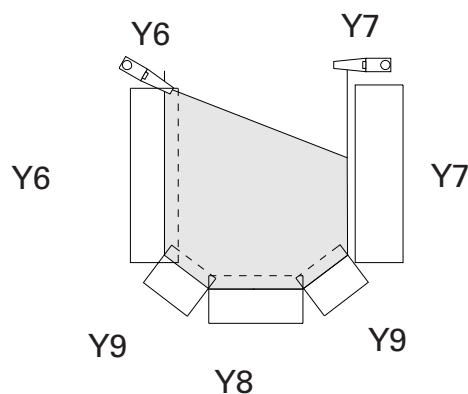


Using the EDGE FOLDER CONFIGURATION function (number key 2) it is possible to change the edge-folder configuration as required.

Example:

A
Y6 - 1
Y7 - 0
Y8 - 1
Y9 - 1

B
Y6 - 0
Y7 - 1
Y8 - 1
Y9 - 1



9.09 Jig monitor (optional)

To make it possible to monitor the jig, the sewing jig is given a code using magnets which the control can recognize via an additional device. This is a means of preventing pairing a sewing program with the wrong sewing jig which could cause the needle to break.

If the machine is equipped with this optional device, the JIG MONITOR function must be activated, and a jig code must be entered in the sewing program in order to use the jig monitor.

9.09.01 Activating jig monitor



- Select the **INPUT** mode by pressing the respective key.



Depending on the setting and configuration of the machine the displayed status bar may differ from the following example.

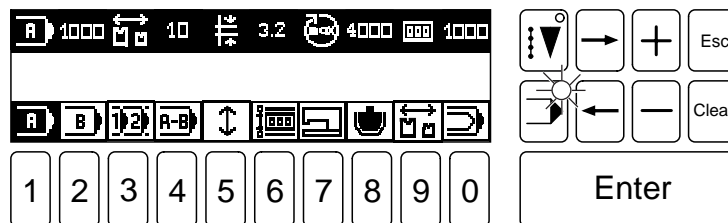


Fig. 9 - 10



- Select the **Input menu** function (number key 0).



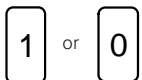
- Select the **SWITCH FUNCTIONS** function.



- Select the **OPTIONS** function.



- Select the **JIG MONITOR** function.



- Activate or deactivate the function by pressing the number keys **1** or **0** respectively.

9.09.02 Determining the jig code

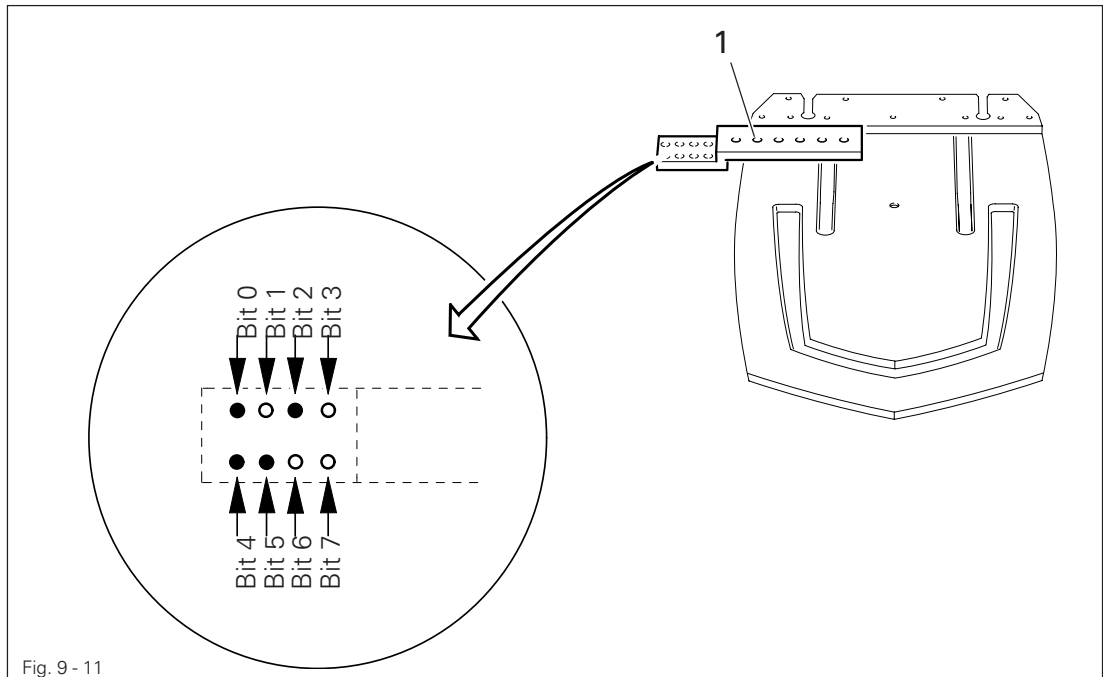


Fig. 9 - 11

The jig code is entered in the sewing program as a number value (0-99).

The code is created on the jig as a binary number by arranging up to 8 magnets in a particular way on carrier 1.

Bit assignment

Example: decimal number (3 5) is equal to the binary combination (11 00) (10 10)

TENS PLACE (3) ONES PLACE (5)

Ones place Tens place	Bit 0 Bit 4	Bit 1 Bit 5	Bit 2 Bit 6	Bit 3 Bit 7
0	free	free	free	free
1	magnet	free	free	free
2	free	magnet	free	free
3	magnet	magnet	free	free
4	free	free	magnet	free
5	magnet	free	magnet	free
6	free	magnet	magnet	free
7	magnet	magnet	magnet	free
8	free	free	free	magnet
9	magnet	free	free	magnet

9.10 Changing the part set



The seam program, parts program and parts (folding set, pocket plates and sewing jig) must match and always be used together!

If the wrong combination of parts and seam program is used, the machine may be damaged seriously!

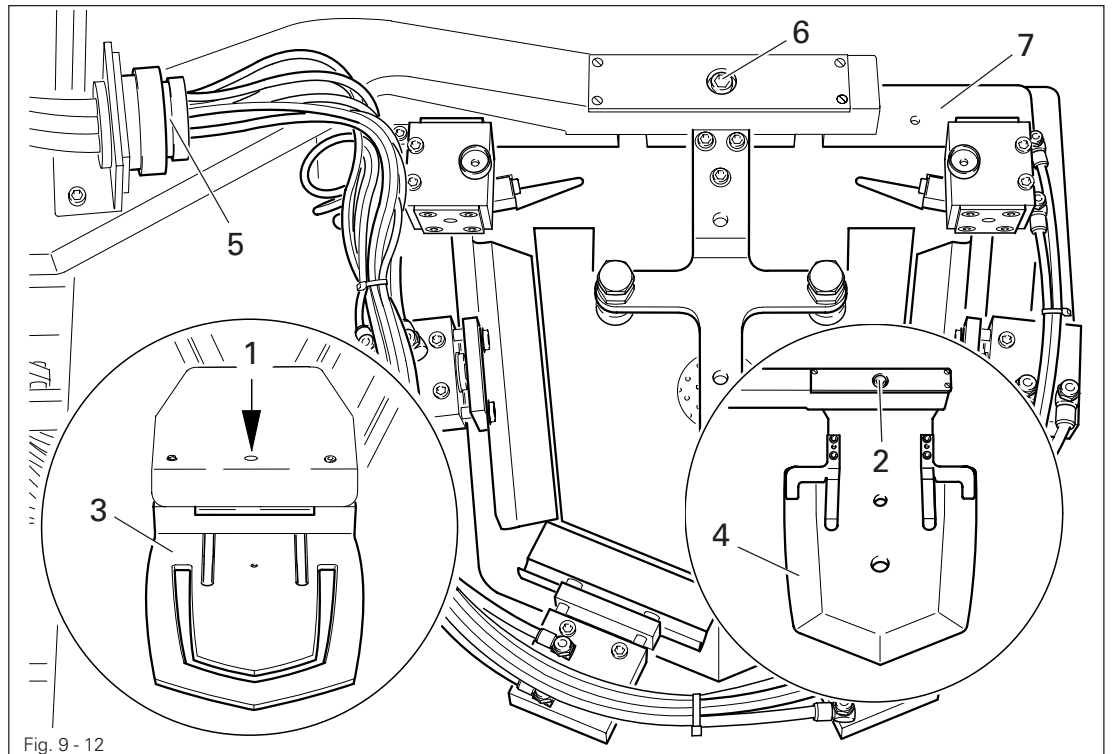


Fig. 9 - 12



- Select **INPUT** mode.



- Select **Folder position** function (number key 8).



- Select **PART SET** function.
- Loosen screws 1 and 2, and remove both sewing jig 3 and pocket plate 4.
- Insert a new pocket plate and a matching sewing jig.
- Tighten screws 1 and 2.



- Confirm the new pocket plate and sewing jig by pressing the **plus key**.

- Unscrew the compressed air supply 5.
- Loosen screw 6 and remove folder set 7.
- Insert the folder set which matches the pocket plate and the sewing jig, tighten screw 6 and screw the compressed air supply 5 back on.



- Select **INPUT** mode.



- Select the **Program number selection** function and enter the program and parts program numbers which correspond to the part set.

Enter

- Confirm by pressing **Enter**.

9.11 Loading of the cuttings

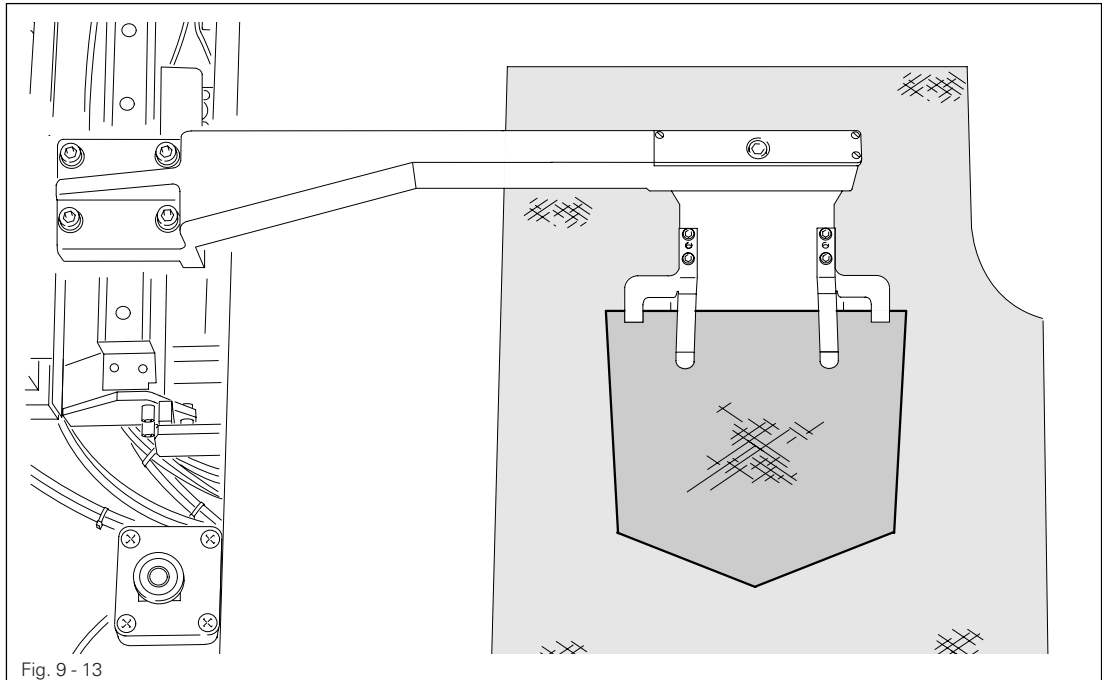


Fig. 9-12 to the **SEWING** mode.



- Select the **Basic position** function.
- Lay the cutting for the trousers on the table and align it.



Loading and alignment of the pocket cuttings depends on the menu combination selected (see **chapter 7.03**).

Menu combination: BASIC POSITION POCKET PLATE FRONT/PLAIN-MATERIAL FABRIC ON

- Slide the pocket cutting onto the pocket plate according to **Fig. 9-12**.

Menu combination: BASIC POSITION POCKET PLATE BACK/PLAIN-FABRIC ON

- Actuate the loading function switch twice pocket plate moves forward.
- Slide the pocket cutting onto the pocket plate according to **Fig. 9-12**.

Menu combination: BASIC POSITION POCKET PLATE FRONT/PLAIN-MATERIAL OFF

- Slide the pocket cutting onto the pocket plate according to **Fig. 9-12**.
- Activate the inserting function switch - the pocket plate is lowered.
- Activate the inserting function switch to raise the pocket plate so that the trousers cutting can be aligned.
- Activate the inserting function switch to lower the pocket plate again.

Menu combination: BASIC POSITION POCKET PLATE BACK/PLAIN-MATERIAL OFF

- Actuate the loading function switch to move the pocket plate forward.
- Slide the pocket cutting onto the pocket plate according to **Fig. 9-12**.
- Actuate the loading function switch twice: the pocket plate is lowered and raised slightly to allow positioning of the trouser cutting.
- Actuate the loading function switch: the pocket plate is lowered and raised slightly to allow positioning of the trouser cutting.

	Contents	Chapter - Page
10	Sewing	10 - 1
10.01	Status bar	10 - 1
10.02	Error messages	10 - 1
10.03	Automatic SEWING	10 - 2
10.04	Program interruption	10 - 3
10.05	Manual SEWING	10 - 4
11	INPUT mode functions	11 - 1
11.01	Summary of the functions in the INPUT mode	11 - 1
11.02	Summary of the functions in the input menu	11 - 2
11.03	Summary of the service functions	11 - 3
11.04	Selecting functions from the menu	11 - 4
11.05	Functions in the INPUT mode	11 - 6
11.06	Creating / modifying seam programs	11 -21
11.06.01	Seam program structure	11 -21
11.06.02	Status bar when entering seam programs	11 -21
11.06.03	Summary of the functions in the initial state (entering seam programs)	11 -22
11.06.04	Explanation of the functions in the initial state (when entering seam programs)..	11 -23
11.06.05	Summary of the functions in the Insert mode	11 -26
11.06.06	Explanation of the functions in the Insert mode	11 -27
11.06.07	Example for programming a seam	11 -31

10 Sewing



In the **SEWING** mode you will find functions in **automatic** and **manual SEWING** which are used for production and its preparation. The mode can be selected via the corresponding keys on the control panel.

10.01 Status bar

In the upper section of the display the current machine status is displayed by means of symbols and corresponding values.

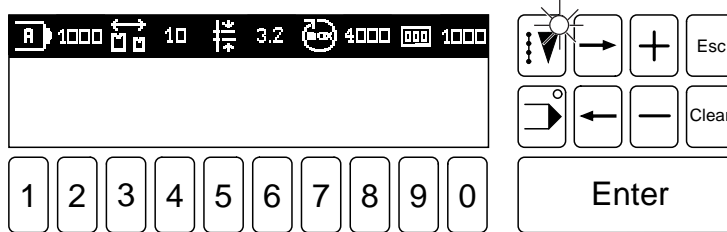


Fig. 10 - 01

Explanation of the symbols:



Program station

Next to the symbol for the selected program station (A or B) you will find the assigned program number.



Parts program number

Next to this symbol the number of the current parts program is displayed.



Stitch length

Next to this symbol you will find the stitch length value for the selected seam program.



Maximum speed

Next to this symbol the maximum speed of the machine is indicated.



Piece-counter

Next to this symbol the current piece count is displayed.

10.02 Error messages

If an error occurs at the machine, an error message is displayed.

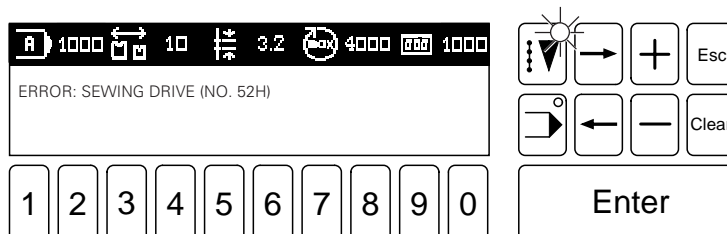


Fig. 10 - 02



Before the machine can be further operated, the error must be corrected. Errors may only be corrected by authorized specialist personnel (see **chapter 14.02 Error description**).

10.03 Automatic SEWING

Automatic SEWING is used primarily in this type of production.

- Press the double-start keys (see **chapter 7.04 Double-start keys**) or
- activate the inserting function switch (see **chapter 7.03**)

to start the program cycle after you have inserted the workpiece.

Depending on the stage of the cycle and the machine configuration, different symbols (functions) are displayed.

Basic position of the machine



When the machine has just been switched on, it is in the **automatic SEWING** mode. The sewing jig transport, folder and sewing station as well as the stacker station are in the basic position. The function **Manual SEWING** is switched off.

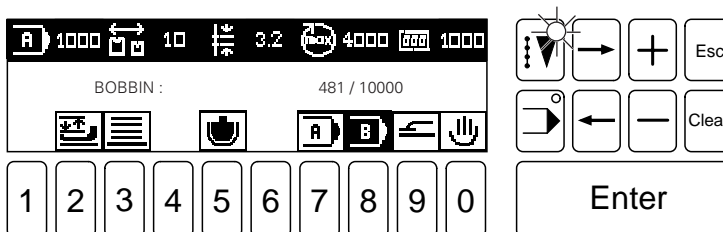








Fig. 10 - 03

Explanation of the symbols in the display:

- 
Presser foot up/down (number key 2)
 Direct function for lifting and lowering the presser foot as well as for opening and closing the thread trapper.
- 
Retainer clamp up/down (number key 3)
 Direct function for opening and closing the retainer clamp at the stacker station (for removing the workpiece).
- 
Folding on/off (number key 5)
 (only when ALTERNATING FOLDING is selected)
 Direct function for manipulating the automatic alternating folding. If the symbol is displayed on a dark background, folding will be carried out in the next program cycle.
- 
Program station A (number key 7)/**Program station B** (number key 8)
 (The function **Automatic program change** must be switched on.)
 Direct function for manipulating the automatic program change. The program of the station whose symbol is displayed on a dark background will be executed next.
- 
Label feed on/off (number key 9)
 (only available if label feed mechanism is installed)
 Direct function for switching the label feed on or off respectively. If the symbol is displayed on a dark background, a label will be fed during the next program cycle.
- 
Switch on manual sewing (number key 0)
 With this function you can switch between **automatic** and **manual SEWING**. If this function is switched off, the **automatic SEWING** mode is active.

Machine in operation

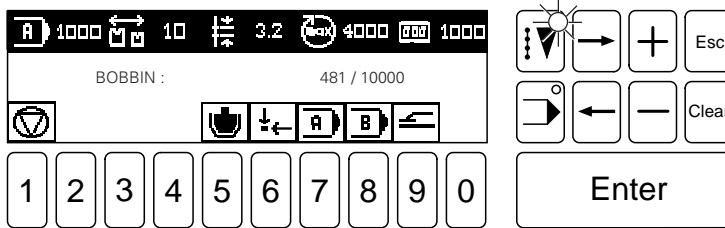








Fig. 10 - 04

Symbols in the display:

- 
Stop (number key 1)
 Direct function for stopping the entire program cycle (see chapter 10.04 Program interruption).
- 
Folding on/off (number key 5)
- 
Basic position (number key 6)
 With this direct function you can move the folder to its basic position without interrupting the program cycle. For example, this is useful if you want to align a workpiece which has been inserted incorrectly.
- 
Program station A (number key 7)
- 
Program station B (number key 8)
- 
Label feed on/off (number key 9)

10.04 Program interruption

To interrupt the program cycle of a seam program

- press the stop switch (see chapter 7.02 Stop switch) or
- activate the **Stop** function on the control panel.

When a program is interrupted, the following display appears:

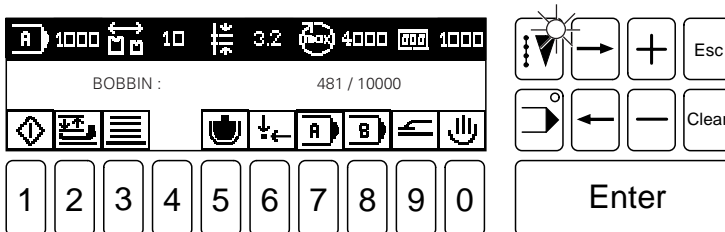



Fig. 10 - 05



When the machine is stopped in this way, the folder and stacker devices as well as the sewing station and the sewing jig transport do **not** position in the basic position!

- 
 ● To continue the program cycle activate the **Start** function (number 1) or
- press the double-start key (see chapter 7.04 Double-start key).

10.05 Manual SEWING

Manual SEWING is predominantly used for checking and setting up the machine as well as for altering the program cycle manually.



- Select the **Manual SEWING** function (number key 0).

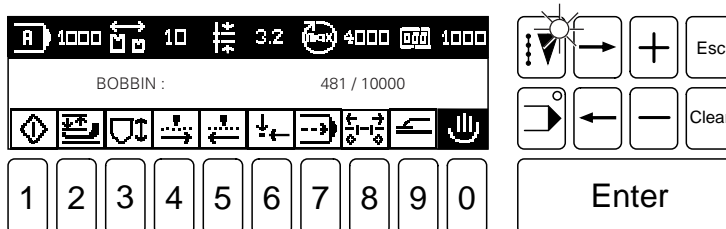


Fig. 10 - 06

Explanation of the symbols in the display:



Start (number key 1)

Direct function for starting the seam program cycle (sewing only).



Presser foot up/down (number key 2)

Direct function for raising and lowering the presser foot as well as for opening and closing the thread trapper.



Sewing jig up/down (number key 3)

Direct function for raising and lowering the sewing jig.

press once = without pressure, press twice = with pressure



Step-by-step forwards (number key 4) / **Step-by-step backwards** (number key 5).

With this function the seam pattern can be traced step by step forwards or backwards, respectively; in combination with the **Start** function the entire seam pattern is traced automatically. To do this, press the **Step-by-step forwards/backwards** function simultaneously with the **Start** function.



Basic position (number key 6)

Direct function for positioning the folder, stacker and sewing stations and the sewing jig transport in basic position.



Single step (number key 7)

With this function the folding sequence can be traced step by step. For the first step the double-start keys or the inserting function switch have to be actuated.



Change bobbin (number key 8)

The bobbin can be changed after this function has been selected.



Label feed on/off (number key 9)

(only available if label feed mechanism is installed)

Direct function for switching the label feed on or off respectively.

If the symbol is displayed on a dark background, a label will be fed during the next program cycle.



Switch off manual SEWING (number key 0)

With this function you can switch between **automatic** and **manual SEWING**. If this function is active (symbol on a dark background), the program cycle is interrupted and you are in the **manual SEWING** mode.











11 Input mode functions

This chapter lists and describes the functions in the **INPUT** mode. In this mode you will find functions for program management, language selection, machine settings and configuration as well as for service and adjustment work. However, this chapter does not describe how to create seam programs. For information on how to create seam programs please refer to the relevant instruction manual.

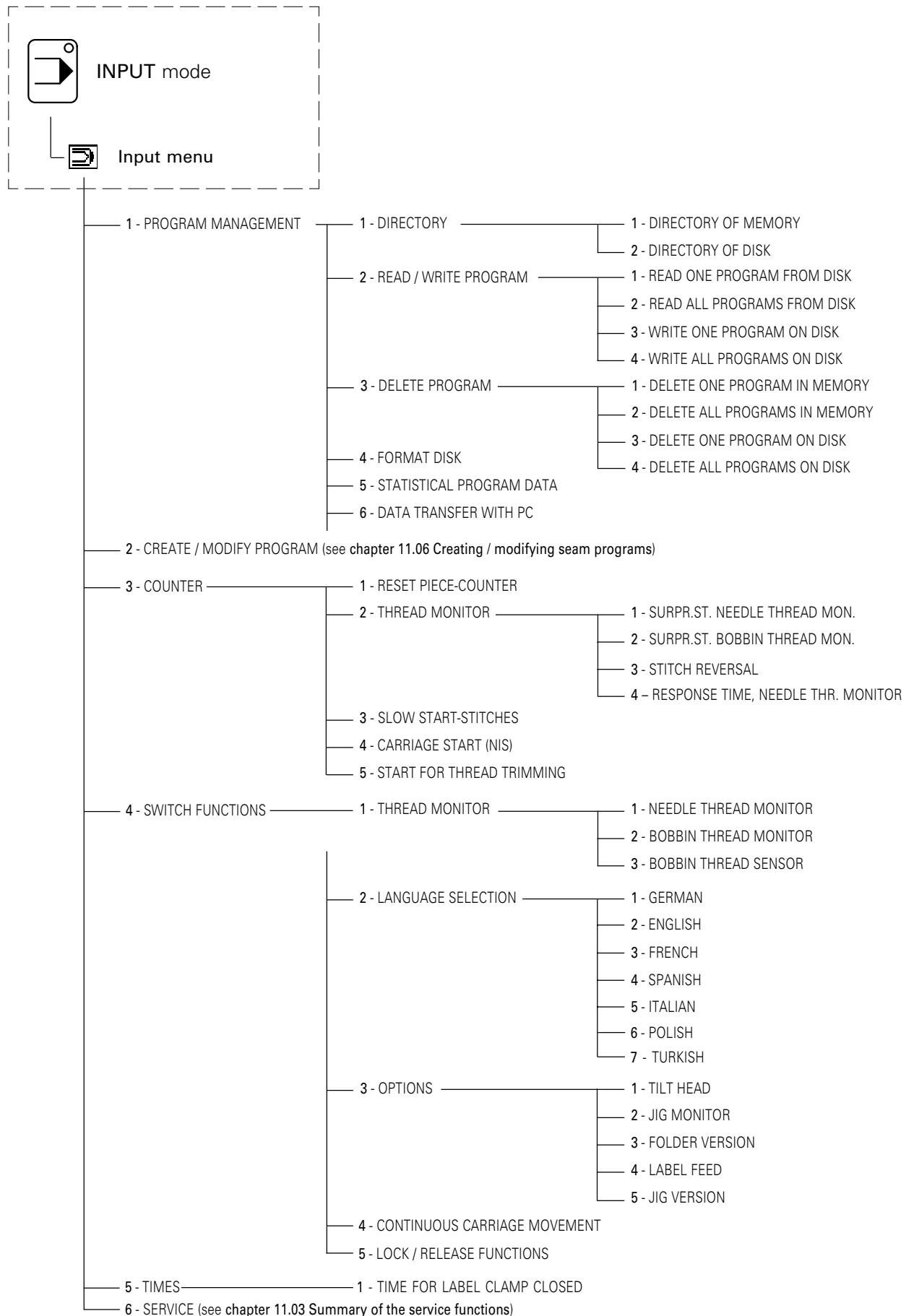
11.01 Summary of the functions in the INPUT mode



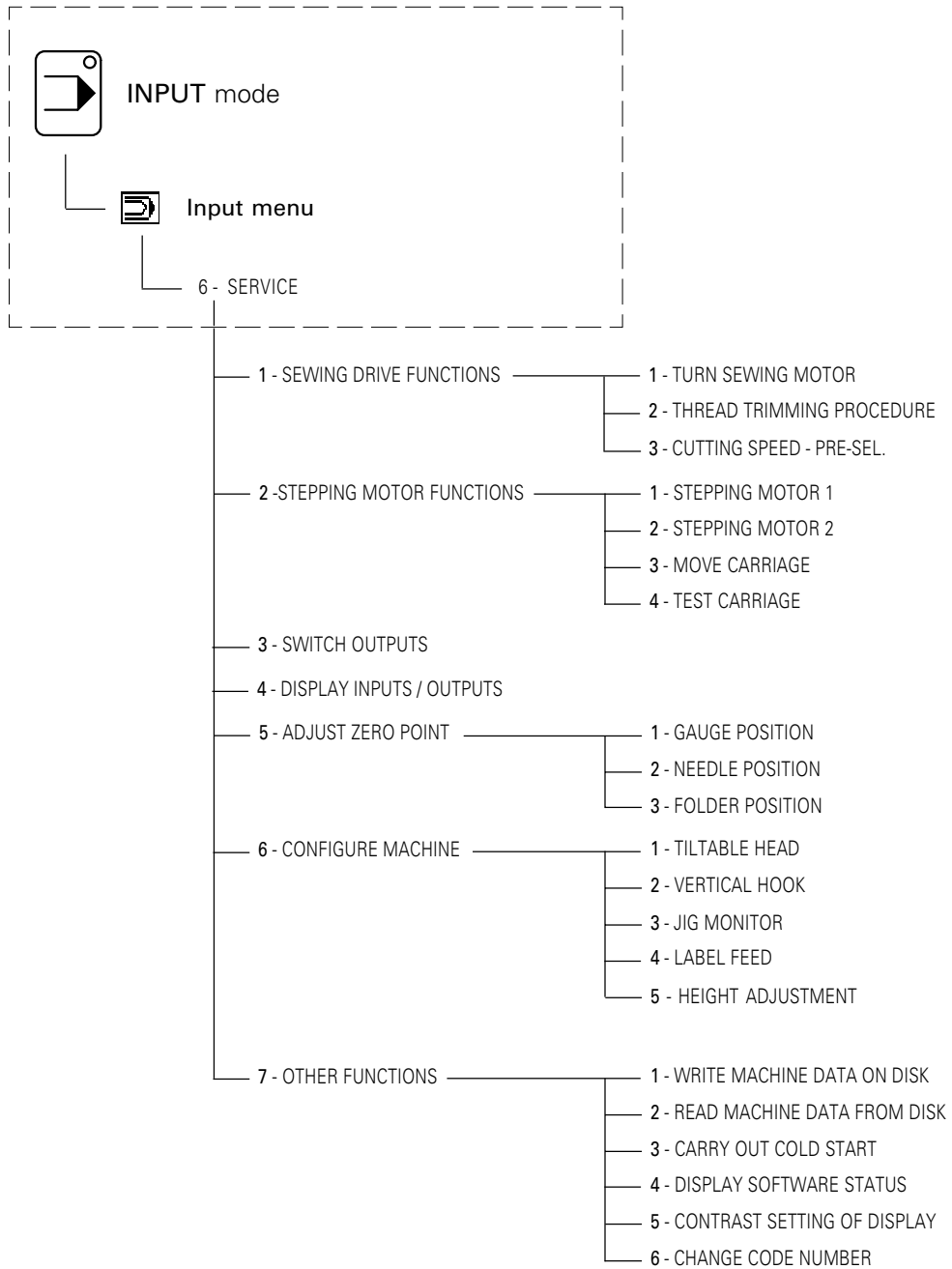
INPUT mode

-  Program station A
-  Program station B
-  Program number selection / Station key programming
-  Automatic program station change
-  Frame up/down
-  Bobbin thread functions
 - 1 - RESET STITCH-COUNTER
 - 2 - BOBBIN-THREAD PRESELECT
-  Head functions
 - 1 - STANDARD STITCH LENGTH
 - 2 - MAXIMUM SPEED
 - 3 - REDUCED SPEED
 - 4 - DELAY ZIGZAG ON
 - 5 - DELAY ZIGZAG OFF
 - 6 - SEWING
-  Folder functions
 - 1 - INTERMEDIATE STOP
 - 2 - UNI-MATERIAL
 - 3 - BASIC POSITION POCKET PLATE
 - 4 - ALTERNATING FOLDING
 - 5 - ALTERNATING LABELLING
 - 6 - EDGE FOLDER CONFIGURATION
 - 7 - CHANGE PART SET
-  Parts program functions
 - 1 - ROLLING DIRECTION STACKER
 - 2 - SLOW ROLLING TIME STACKER
 - 3 - FAST ROLLING TIME STACKER
 - 4 - TIME FOR STACK TRESTLE BACK
 - 5 - TIME FOR EDGE FOLDERS BACK
 - 6 - TIME FOR POCKET PLATE UP
 - 7 - FEED SPEED
 - 8 - SEAM CORRECTION X
 - 9 - SEAM CORRECTION Y
 - 0 - STACKER
-  Input menu (see chapter 11.02 Summary of the functions in the input menu)
 - 1 - PROGRAM MANAGEMENT
 - 2 - CREATE / MODIFY PROGRAM
 - 3 - COUNTER
 - 4 - SWITCH FUNCTIONS
 - 5 - TIMES
 - 6 - SERVICE (see chapter 11.03 Summary of the service functions)

11.02 Summary of the functions in the input menu



11.03 Summary of the service functions



For an explanation of the service functions please refer to **chapter 11.05 Functions in the Input mode, page 11-16 ff.**

11.04 Selecting functions from the menu

By using an example, we will now explain how to move about within menu levels.
Contrast setting of the display:



- Select **INPUT** mode by pressing the corresponding key (the LED in the key lights up).



Fig. 11 - 01



- Select **input menu** function (number key 0).

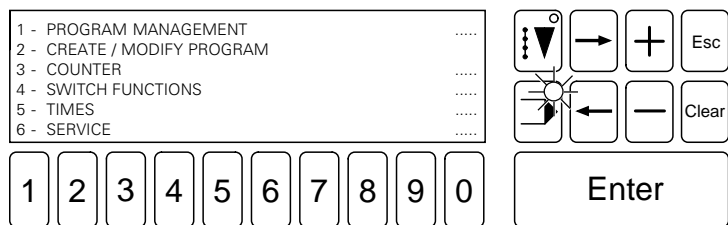


Fig. 11 - 02

6

- Press **number key 6** to call up the **SERVICE** function.

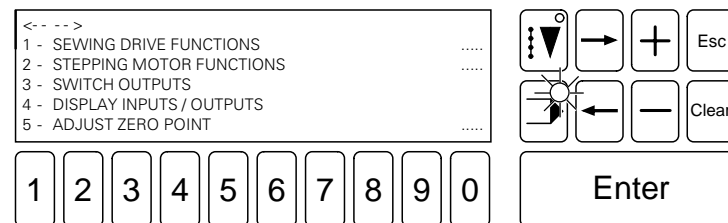


Fig. 11 - 03



- Scroll to the next page by pressing the **right arrow key**.

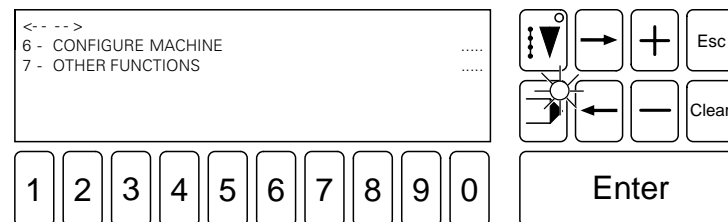


Fig. 11 - 04

7

- Select **OTHER FUNCTIONS** by pressing **number key 7**.



The menu item can also be accessed directly, i. e. without scrolling the page, by pressing the corresponding number key.

Input mode functions

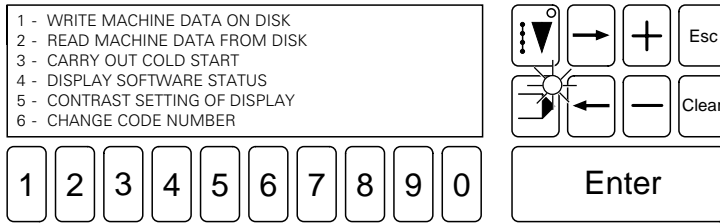


Fig. 11 - 05

- 5** ● Select the CONTRAST SETTING OF DISPLAY function (number key 5).
- If required, enter the 4-digit code number via the **number keys**.

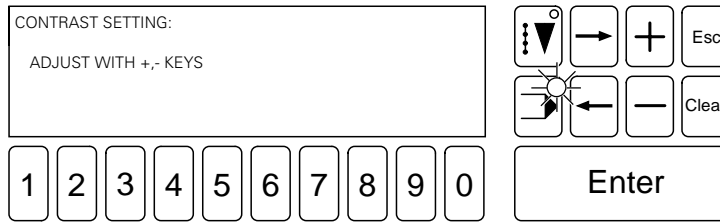
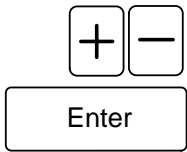


Fig. 11 - 06



The contrast setting changes when the plus/minus keys are pressed and does not have to be confirmed with Enter. Do **not** lower the contrast setting to the extent that the display cannot be read anymore!



- Change the contrast setting as desired by pressing the **plus/minus keys**.
- Press **Enter** to exit the function.

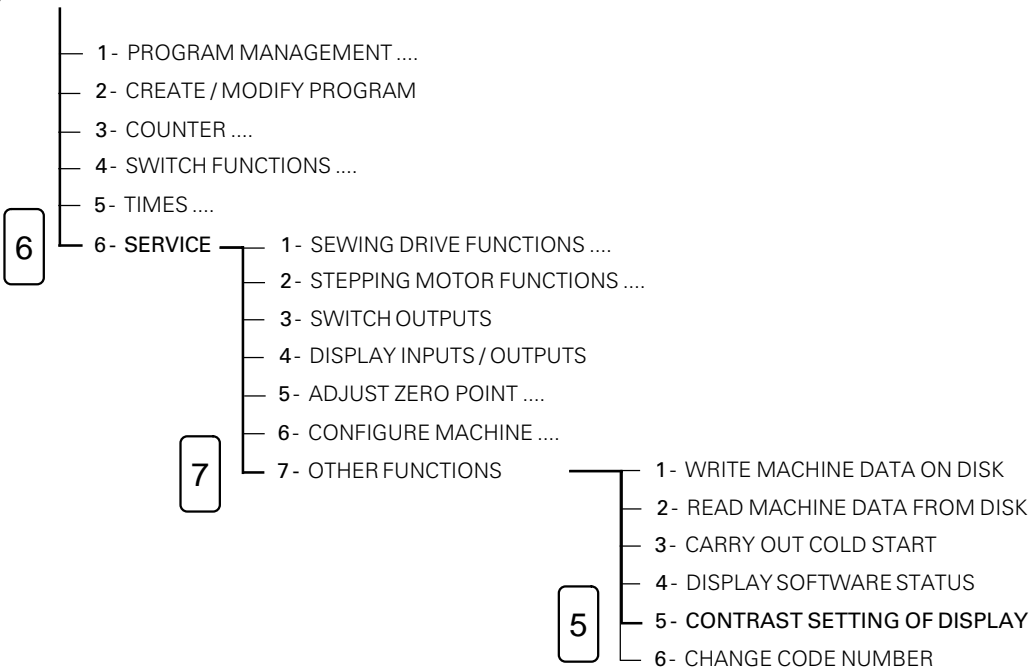
Summary of the function selections



INPUT mode



Input menu function (number key 0)



11.05 Functions in the INPUT mode

Initial state in the INPUT mode

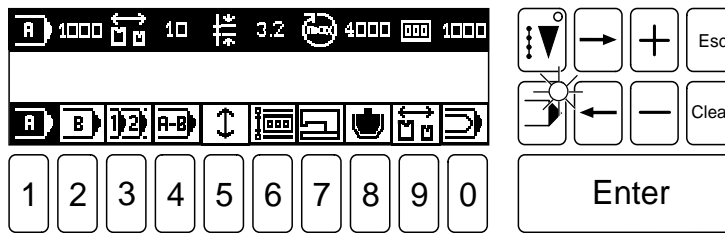


Fig. 11 - 07

Explanation of the symbols in the display:



Program station A (number key 1)

When this function is active, a seam program previously assigned to this program station is called up for sewing.



Program station B (number key 2)

When this function is active, a seam program previously assigned to this program station is called up for sewing.



Program number selection (number key 3)

With this function the desired seam program can be assigned to the currently active program station.

If necessary, the parts program can also be selected with this function.



Automatic program change (number key 4)

When this function is active, an automatic change between the program station A and B is carried out after the seam program has been sewn.



Vertical adjustment of frame (number key 5)

If the machine is equipped with a vertically adjustable frame (optional feature), the height of the frame can be adjusted after this function has been selected.



Bobbin thread functions (number key 6)

This function opens a menu for selecting various bobbin thread functions:

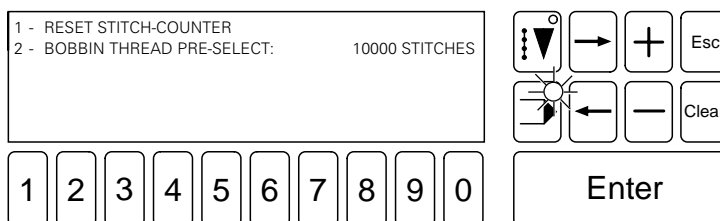


Fig. 11 - 08

1

RESET STITCH-COUNTER

Resets the stitch-counter to "0", e.g. after an unplanned bobbin change.

2

BOBBIN-THREAD PRESELECT

Used to enter the number of stitches after which the machine automatically stops for a bobbin change.



Head functions (number key 7)

Opens a menu for selecting various head functions:

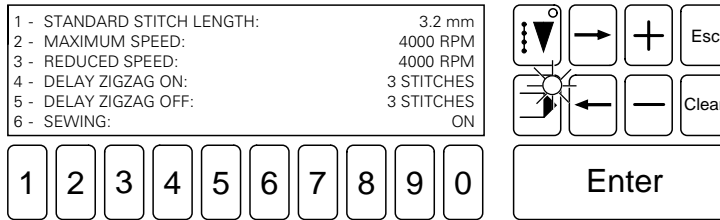


Fig. 11 - 09

- 1 STANDARD STITCH LENGTH
For entering the standard stitch length of the seam program in the active program station.
- 2 MAXIMUM SPEED
For entering the maximum speed.
- 3 REDUCED SPEED
For entering the reduced speed.
- 4 ZIGZAG DELAY ON
For entering the number of stitches which are sewn until the command "Zigzag on" is output (see Fig. 11-10).
- 5 ZIGZAG DELAY OFF
For entering the number of stitches which are sewn until the command "Zigzag off" is output (see Fig. 11-11).

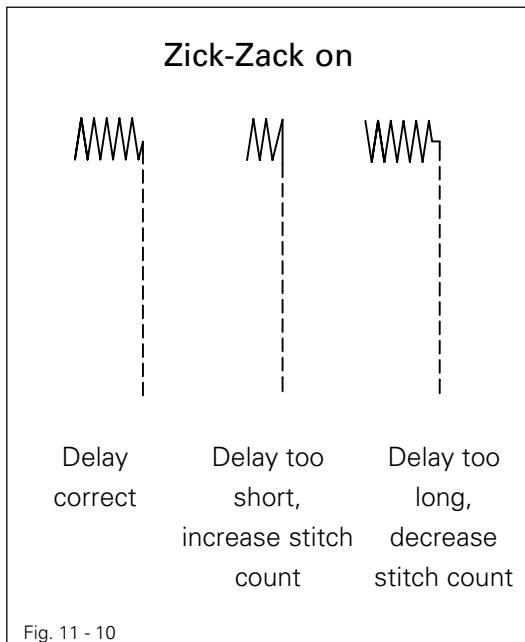


Fig. 11 - 10

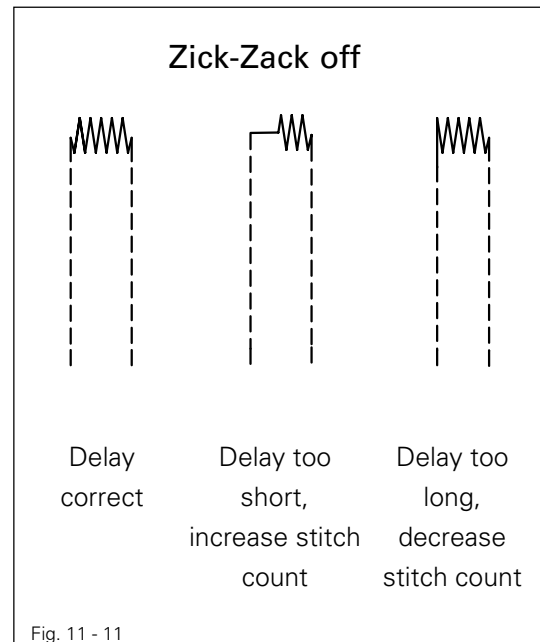


Fig. 11 - 11



Due to the delay of the valve and cylinder, output of the commands for DELAY ZIGZAG ON and OFF must be delayed as a function of the speed.

- 6 SEWING
Switches the sewing operation on or off during the program cycle. When the sewing operation is switched off the pockets are stacked after the folding operation.



Folder functions (number key 8)

Opens a menu for selecting various folder functions:

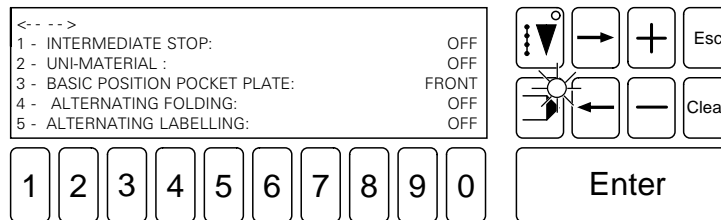


Fig. 11 - 12

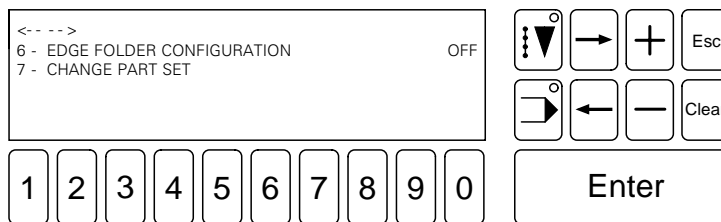


Fig. 11 - 12a

- 1 INTERMEDIATE STOP
Switches a function on or off which causes the program to stop on completion of the folding operation (e. g. for correction of the pocket position).
The seam program can be continued by pressing the **double-start keys**.
- 2 UNI-MATERIAL
Changes the foot switch functions for working uni-materials (see **chapter 7.03**).
- 3 BASIC POSITION POCKET PLATE
Determines the basic position of the pocket plate.
- 4 ALTERNATING FOLDING
When this function is active, every second pocket is not folded.
- 5 ALTERNATING LABELLING
When this function is active, only every second pocket receives a label.
- 6 EDGE FOLDER CONFIGURATION
With this function enabled, different edge-folder configurations can be assigned to program stations "A" and "B"
- 7 CHANGE PART SET
After the function has been selected, the part set may be changed.



Parts program functions (number key 9)

Opens a menu for entering values which refer to the material and size of the pieces to be worked (see **chapter 9.09 Changing the part set**).

The values are automatically attributed to the selected parts program (see **Chapter 11.05, section: Program Number Selection**).

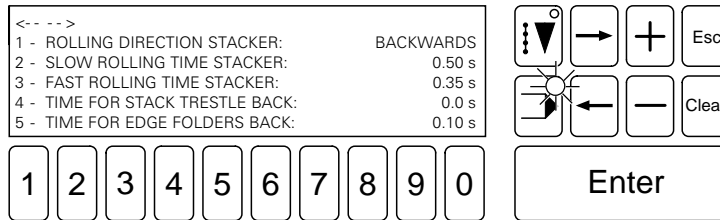


Fig. 11 - 13

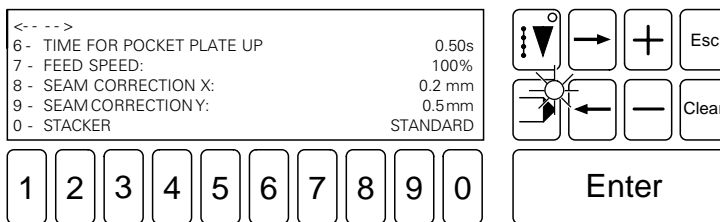


Fig. 11 - 14

- 1 ROLLING DIRECTION STACKER
With this function, the direction in which the stacker roller is to roll slowly is determined (see **Fig. 11-15**).
- 2 SLOW ROLLING TIME STACKER
For entering the rolling time of the slow rolling movement of the stacker roller (see **Fig. 11-15**).
- 3 FAST ROLLING TIME STACKER
For entering the rolling time of the fast rolling movement of the stacker roller (see **Fig. 11-15**).

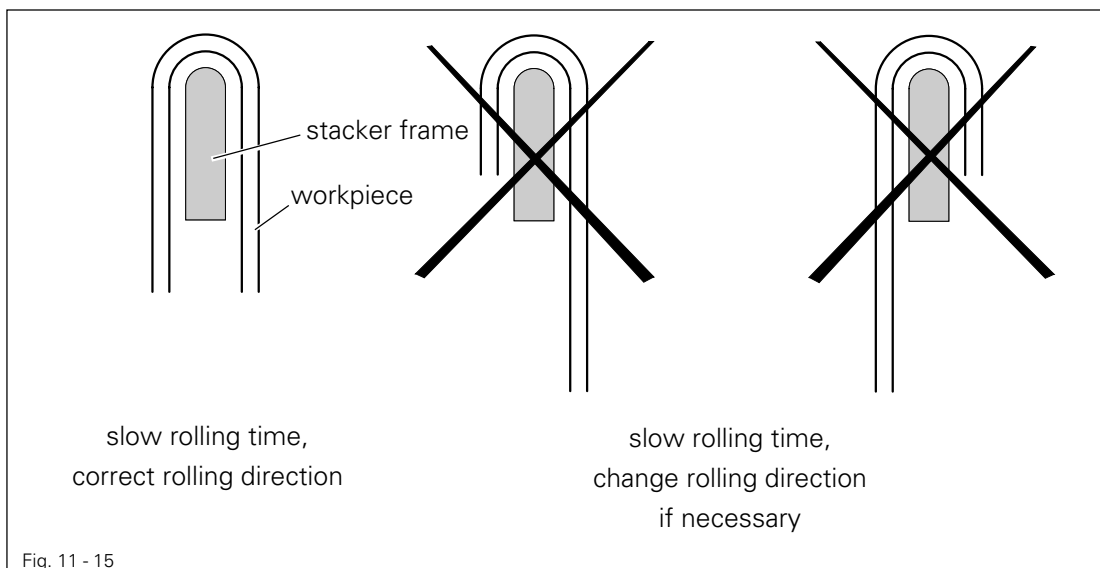


Fig. 11 - 15

- 4** TIME FOR STACK TRESTLE BACK
For entering the delay time between the slow rolling movement of the stacker roller and the stack trestle back.
- 5** TIME FOR EDGE FOLDERS BACK
For entering the delay time for the edge folder. The time should be set in such a way that the edge folder only starts moving upwards after the folder plates have positioned in their furthest end position.
- 6** TIME FOR POCKET PLATE UP
For entering the delay time between pocket plate back and pocket plate up.
- 7** FEED SPEED
For entering the speed of the sewing jig feed from the folding station to the sewing station.
- 8** SEAM CORRECTION X
Changes the position of the seam on the pocket in the horizontal direction.
- 9** SEAM CORRECTION Y
Changes the position of the seam on the pocket in the vertical direction.
- 0** STACKER
With this function it is possible to choose between the standard cycle and the cycle for stacking short parts (version 1).

Input mode functions



Input menu (number key 0)

Opens a menu for selecting diverse functions from other menu levels:

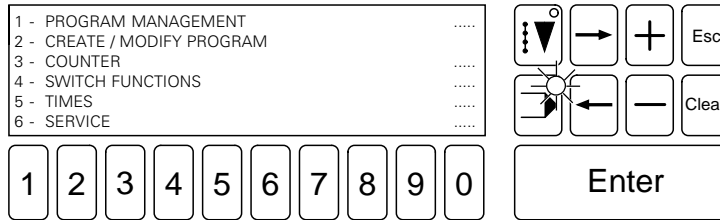


Fig. 11 - 16

1

PROGRAM MANAGEMENT

Opens a menu for organizing seam programs:

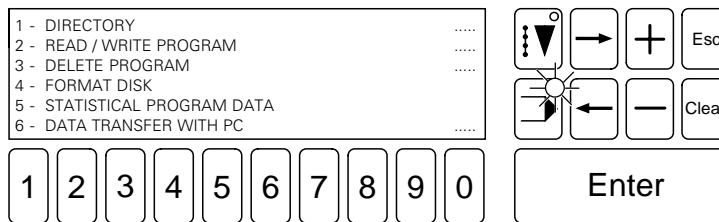


Fig. 11 - 17

1

DIRECTORY

Opens a menu with items for listing memory contents:

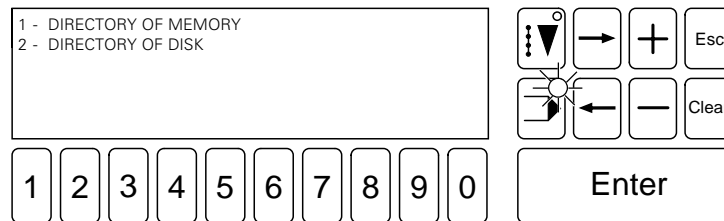


Fig. 11 - 18

1

DIRECTORY OF MEMORY

Displays the contents of the machine memory.

2

DIRECTORY OF DISK

Displays the contents of a disk. Program numbers valid for this machine are shown.

2

READ / WRITE PROGRAM

Opens a menu for transferring seam programs:

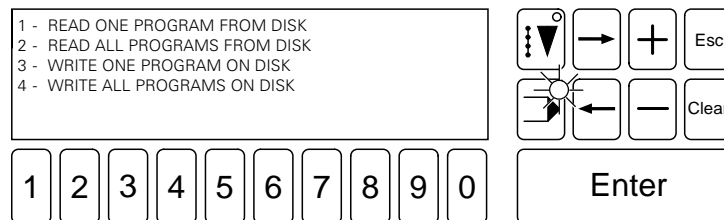


Fig. 11 - 19

- 1 READ ONE PROGRAM FROM DISK
One program to be selected is read into the machine memory from a disk.
- 2 READ ALL PROGRAMS FROM DISK
All programs on the disk are read into the machine memory.
- 3 WRITE ONE PROGRAM ON DISK
One program to be selected from the machine memory is written on disk.
- 4 WRITE ALL PROGRAMS ON DISK
All programs in the machine memory are written on disk.

- 3 DELETE PROGRAM
Opens a menu where you can delete seam programs:

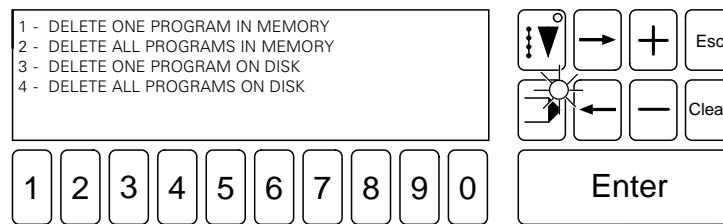


Fig. 11 - 20

- 1 DELETE ONE PROGRAM IN MEMORY
Deletes a selected program from the machine memory.
- 2 DELETE ALL PROGRAMS IN MEMORY
Deletes all programs in the machine memory.
- 3 DELETE ONE PROGRAM ON DISK
Deletes a selected program from the disk.
- 4 DELETE ALL PROGRAMS ON DISK
Deletes all programs on a disk.

- 4 FORMAT DISK
Formats a disk and names it "K3588".



When you format a disk, all data on the disk are erased!

- 5 STATISTICAL PROGRAM DATA
Displays the following program data:
 - program number
 - jig code
 - obstacles
 - stitch count
 - stitch length
 - number of bytes
- 6 DATA TRANSFER WITH PC
Enables the machine to communicate directly with a personal computer using the software SYS3000 (for more detailed information please refer to the SYS3000 manual).

Input mode functions

- 2 CREATE / MODIFY PROGRAM
After the function has been selected, you can create and/or modify seam programs via the control panel (see **chapter 11.06 Creating / modifying seam programs**).

- 3 COUNTER
Opens a menu for customizing the counters:

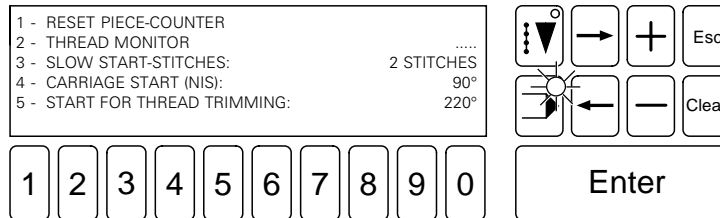


Fig. 11 - 21

- 1 RESET PIECE-COUNTER
Resets the piece-counter to "0" for the daily production.
- 2 THREAD MONITOR
Opens a menu which allows you to change the counters for the thread monitor:

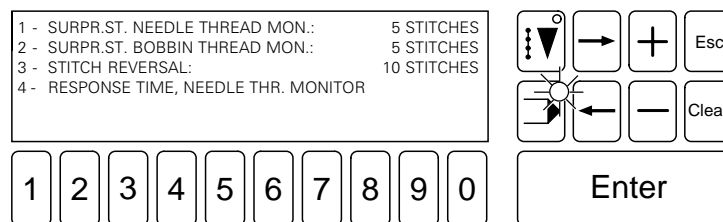
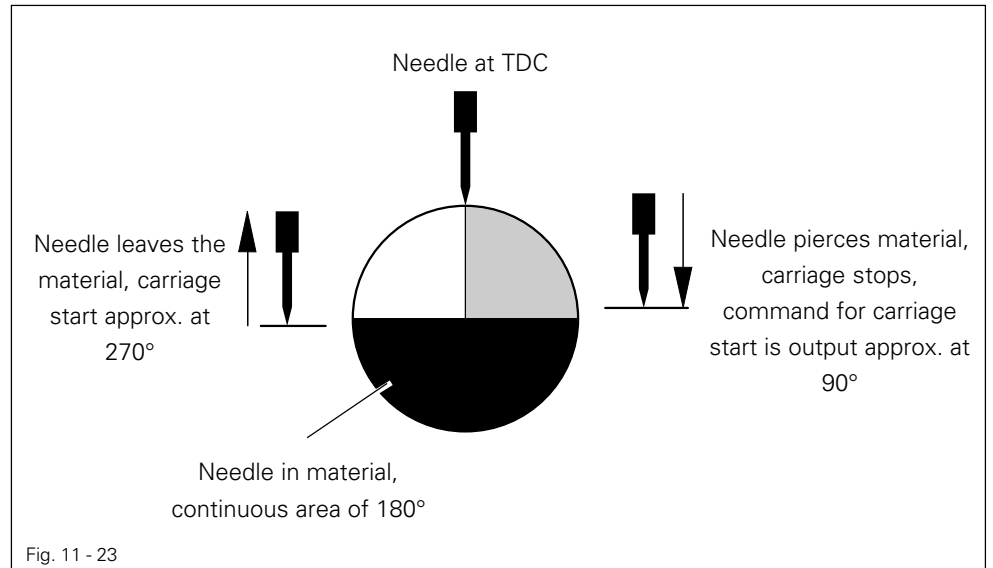


Fig. 11 - 22

- 1 SURPRESSED STITCHES NEEDLE THREAD MONITOR
Changes the number of stitches for which the needle thread monitor is not active while the workpiece is sewn on.
- 2 SURPRESSED STITCHES BOBBIN THREAD MONITOR
Changes the number of stitches for which the bobbin thread monitor is not active while the workpiece is sewn on.
- 3 STITCH REVERSAL
Changes the number of stitches which the needle automatically traces back if a needle thread disturbance occurs.
- 4 RESPONSE TIME, NEEDLE THREAD MONITOR
This function is for changing the sensitivity of the needle thread monitor (1 = quick response, max. sensitivity)
- 3 SLOW START-STITCHES
Changes the number of stitches which are to be sewn with reduced speed when sewing on a section of the workpiece.
- 4 CARRIAGE START (NIS)
Changes the timing for starting the motors of the sewing jig feed (° = degrees after needle bar at TDC, see **Fig. 11-23**).



The command for the carriage start is output when the needle pierces the material. The carriage, however, starts half a revolution later (180°), when the needle leaves the material.



Under certain conditions, the stitch formation can be influenced by the setting.

5 START FOR THREAD TRIMMING

Changes the point in time at which the impulse to start thread trimming is sent to the thread trimming valve (° = degree after needle bar at TDC).

4 SWITCH FUNCTIONS

Opens a menu for switching machine functions on and off.

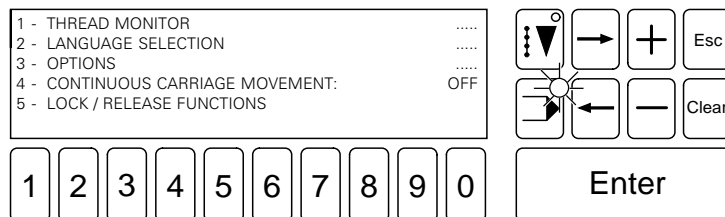


Fig. 11 - 24

1 THREAD MONITOR

Opens a menu where you can select different thread monitors:

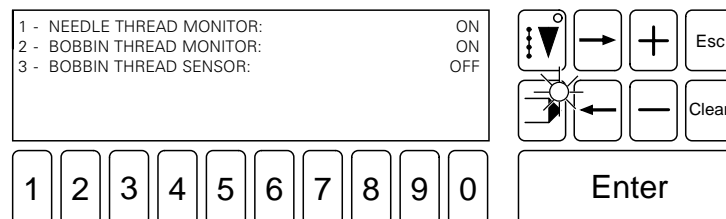


Fig. 11 - 25

- 1 NEEDLE THREAD MONITOR
Switches the needle thread monitor on or off.
- 2 BOBBIN THREAD MONITOR
Switches the bobbin thread monitor on or off.
- 3 BOBBIN THREAD SENSOR
Switches the bobbin thread sensor on or off.

- 2 LANGUAGE SELECTION
Opens a menu where you can select different languages in the display (see chapter 9.05 Selecting a language).



Fig. 11 - 26

- 3 OPTIONS
Opens a menu where you can switch optional work aids on or off:

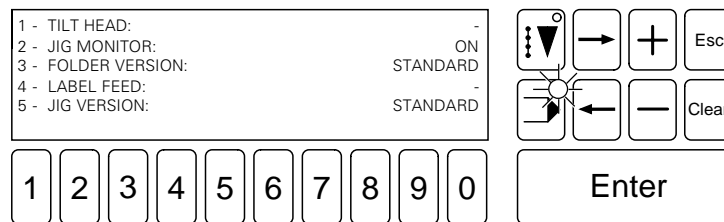


Fig. 11 - 27

- 1 TILT HEAD
(for changing the bobbin for sewing heads with a horizontal hook)
If the machine is equipped with a tiltable head, this function serves to switch the extra on or off.
- 2 JIG MONITOR
If the machine is equipped with the optional jig monitoring device, this function serves to switch the optional feature on or off.
- 3 FOLDER VERSION
Lets you choose between 5 folding operations.
 - **Standard**
The parts cutting is kept on the table by means of a vacuum blower while the pocket cutting is slid over the pocket plate. After the start keys have been pressed, the pocket cutting is folded and, together with the parts cutting, is transported to the sewing station.
 - **Version 1**
The parts cutting is kept on the table by means of a vacuum blower. After the start keys have been pressed the workpiece is transported to the sewing station.
 - **Version 2**
The parts cutting is kept on the table by means of a vacuum blower while the pocket cutting is slid over the pocket plate. After the start keys have been pressed, both cuttings are transported to the sewing station (without folding).

- **Version 3**

The cut part is held on the table by suction air. After the start button is pressed a frame is lowered for loading the pre-folded pocket. When the start button is pressed again, both parts are transferred to the sewing station.

- **Version 4**

Same as "standard" version, but for folding rounded pockets.

4 LABEL FEED

If the machine is equipped with the optional label feed mechanism, this function serves to switch this option on or off.

5 JIG VERSION

For selecting one of various jig modes.

- **Standard**

Standard jig, that is, no flaps, no variable sewing slot.

- **Flap version 1**

The flap part is moved into position on the sewing jig.

- **Flap version 2**

The flap part is turned over into position on the sewing jig.

- **Variable sewing slot**

The sewing jig is equipped with a variable sewing slot.

4 CONTINUOUS CARRIAGE MOVEMENT

Lets you choose the type of carriage movement (continuous or intermittent).

5 LOCK / RELEASE FUNCTIONS

Releases/locks all functions in the **INPUT** mode, secures them with a code number or makes them accessible to authorized personnel only by means of a key.



For the table of code numbers of the individual functions please refer to **chapter 14.03.01 Tables for lock/release functions**.

5 TIMES

This function opens a menu for changing times

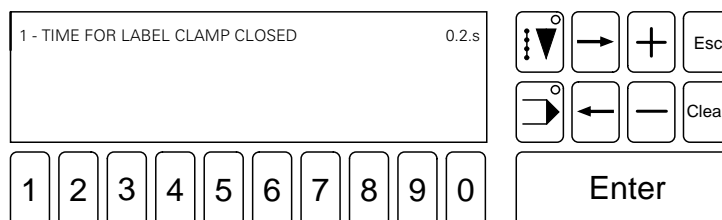


Fig. 11 - 27a

1 TIME FOR LABEL CLAMP CLOSED

With this function, the reaction time for label clamp closed can be changed.

Input mode functions

6

SERVICE

Opens a menu where you can select service functions:

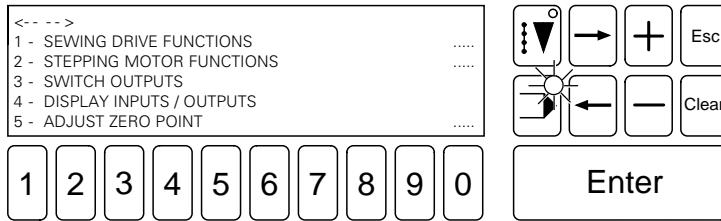


Fig. 11 - 28

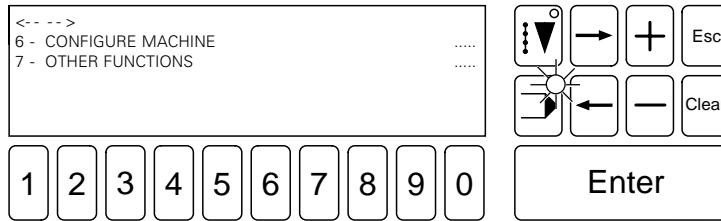


Fig. 11 - 29

1 SEWING DRIVE FUNCTIONS

Opens a menu where you can test the sewing motor:

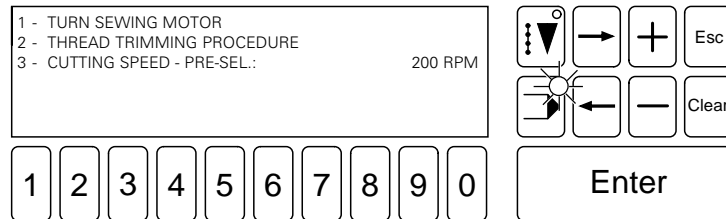


Fig. 11 - 30



Before performing the following functions please make sure that the needle can penetrate the needle hole without being obstructed!

1 TURN SEWING MOTOR

Starts and stops the sewing motor. The speed can either be preselected or changed via the **plus/minus** keys while the motor is running.

2 THREAD TRIMMING PROCEDURE

Starts the thread trimming procedure.

3 CUTTING SPEED - PRE-SEL.

Pre-selects the positioning speed for thread cutting.

2 STEPPING MOTOR FUNCTIONS

Opens a menu where you can move the stepping motors:

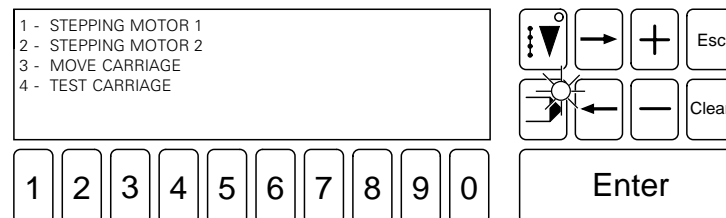


Fig. 11 - 31



Before performing the following functions, make sure that the sewing jig feed moves without being obstructed!

1 STEPPING MOTOR 1

Moves stepping motor 1.

2 STEPPING MOTOR 2

Moves stepping motor 2.

3 MOVE CARRIAGE

Moves the sewing jig feed.

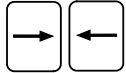
4 TEST CARRIAGE

(presently no function)

Tests the sewing jig feed.

3 SWITCH OUTPUTS
Sets and resets outputs (see **chapter 14.03.03 Tables of outputs**)

4 DISPLAY INPUTS / OUTPUTS
After this function has been selected, the states of the inputs and outputs are displayed:
1 = Input actuated / output switched
0 = Input not actuated / Output not switched



Use the **arrow keys** to toggle between the input and output display.



For an input and output table please refer to **chapter 14.03.04 Tables of inputs**.

5 ADJUST ZERO POINT
Opens a menu where you can adjust different zero points (see **chapter 8.07 Adjusting zero point**):

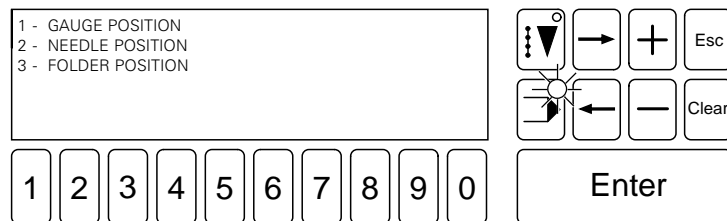


Fig. 11 - 32

1 GAUGE POSITION
Sets the basic position of the linkage based on the carriage's proximity switches using the zero point gauge.

2 NEEDLE POSITION
Adjusts the needle's zero point based on the gauge position. Simultaneously the machine's zero point is also adjusted, which lies 250 mm from the needle's zero point in the direction of the folder station.

3 FOLDER POSITION
Adjusts the folder position.

6 CONFIGURE MACHINE
Opens a menu which shows you which optional features the machine is equipped with:

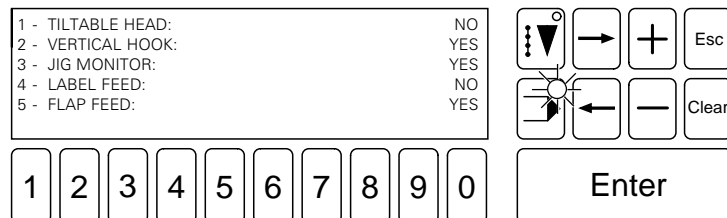


Fig. 11 - 33

When commissioning the machine, or when equipping it with additional devices, the settings must be entered or changed accordingly.

7 OTHER FUNCTIONS

Opens a menu with various other functions:

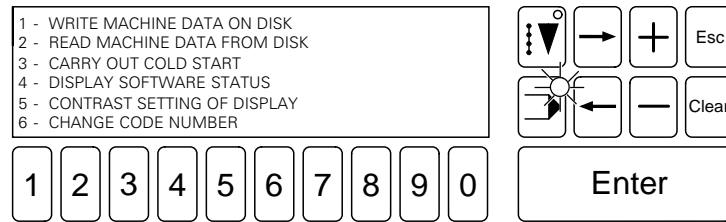


Fig. 11 - 34

1 WRITE MACHINE DATA ON DISK

Writes the data of the machine configuration (file name: MDAT) on a disk.



For a table of all transferable machine data please refer to **chapter 14.03.02 Table of machine data (MDAT)**.

2 READ MACHINE DATA FROM DISK

Reads machine data which are stored on a disk into the machine memory (e.g. after a cold start).

3 CARRY OUT COLD START

Carries out a cold start.

When carrying out a cold start, all settings except the zero point and the machine configuration settings are reset to boot-up values. All programs in the machine memory are deleted.

4 DISPLAY SOFTWARE STATUS

When this function is selected, the software versions of various control units are displayed.

5 CONTRAST SETTING OF DISPLAY



Do **not** lower the contrast setting to such an extent that the display becomes illegible!

This function lets you change the contrast setting of the display.

6 CHANGE CODE NUMBER

After a cold start, the code number is **3588**. This function lets you choose your own code number between 0000 - 9999.



Functions which are secured by a code number can only be selected via the respective code.

11.06 Creating / modifying seam programs

The function CREATE / MODIFY PROGRAM allows you to modify seam programs directly on the machine via the control panel. Data records created in this way can still be processed and modified by SYS3000 (and vice versa).



A newly created or modified seam program must be executed step by step on the machine to make sure that it matches the sewing jig!

11.06.01 Seam program structure

Every data record consists of three elements:

Program header

The program header contains information on the number and the length of the program, and is used for managing the programs.

Geometrical data record

A geometrical data record consists of elements (so-called sections) which can be divided into two groups:

- Sections which influence the geometry of the seam pattern
- Sections with machine functions

Stitch data record

The stitch data record is required for the sewing operation exclusively and is generated from the geometrical data record by stitch generation. It consists of coordinate pairs and machine commands, and is concluded by the end-of-program command.

11.06.02 Status bar when entering seam programs

When entering seam programs, the status bar is displayed in the first line of display:

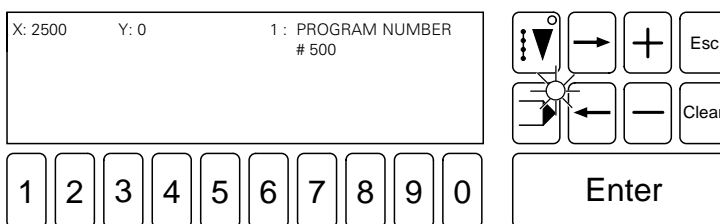


Fig. 11 - 35

The status bar structure is from left to right:

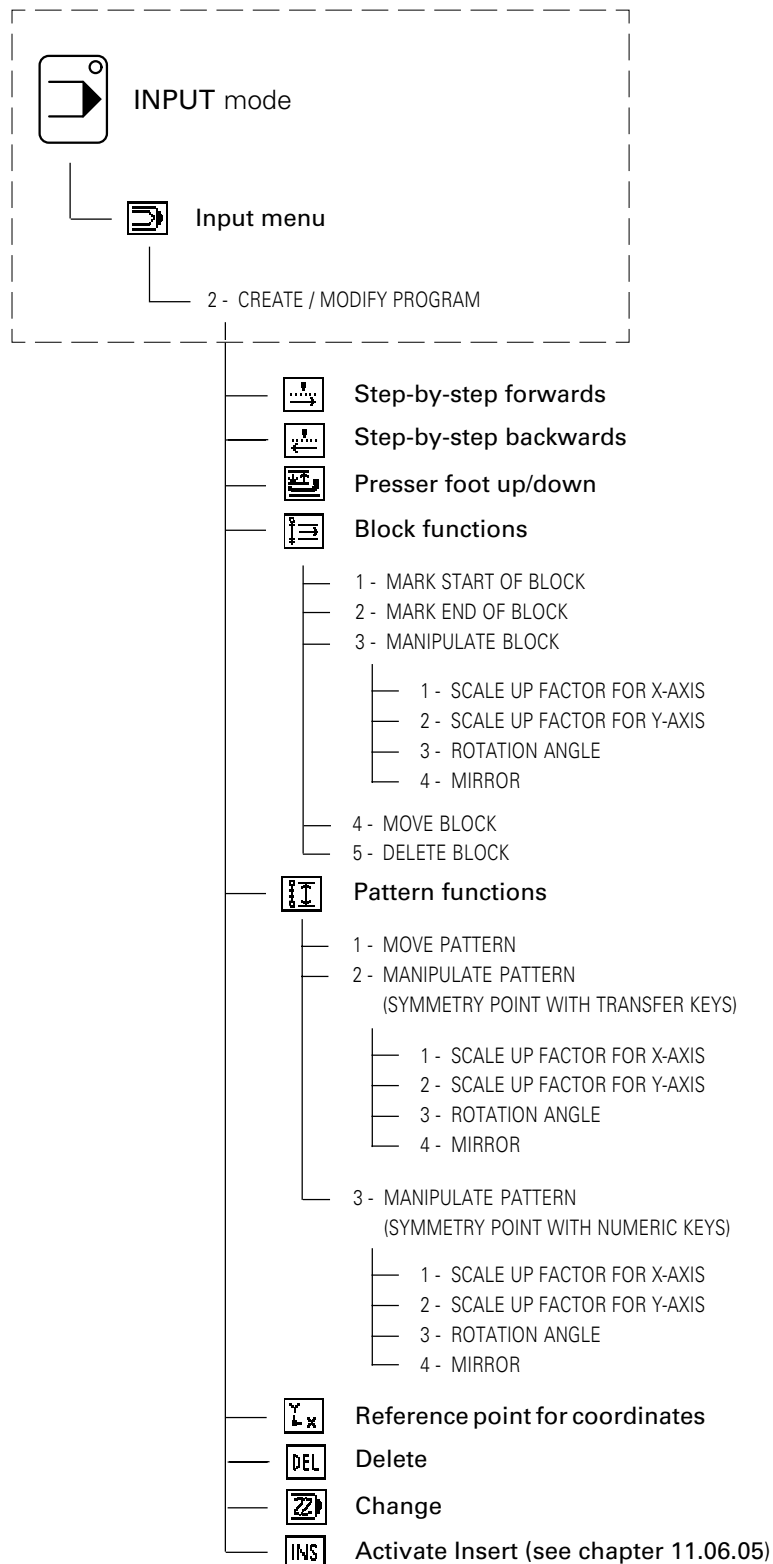
- x-axis coordinate
- y-axis coordinate
- section number together with type of section

Section parameters belonging to the section are displayed below the section type. Sections within a marked block are displayed on a dark background.

11.06.03 Summary of the functions in the initial state (entering seam programs)



The function CREATE / MODIFY PROGRAM is only accessible when the machine is in its basic position. If required, a code number must be entered, a sewing pattern inserted and a program number must be selected.



11.06.04 Explanation of the functions in the initial state (when entering seam programs)

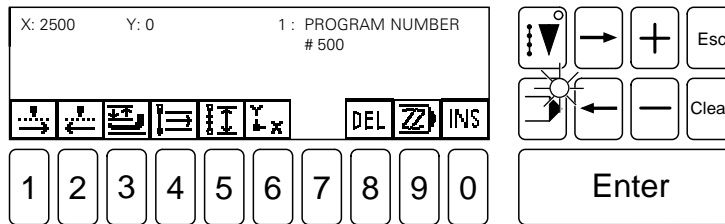


Fig. 11 - 36



Step-by-step forwards (number key 1)

This function allows you to trace the seam pattern step by step in a forward direction; by pressing **Enter** simultaneously, the entire seam pattern is traced automatically.



Step-by-step backwards (number key 2)

This function allows you to trace the seam pattern step by step backwards; by pressing **Enter** simultaneously, the entire seam pattern is traced automatically.



Presser foot up / down (number key 3)

Allows you to raise and lower the presser foot.



Block functions (number key 4)

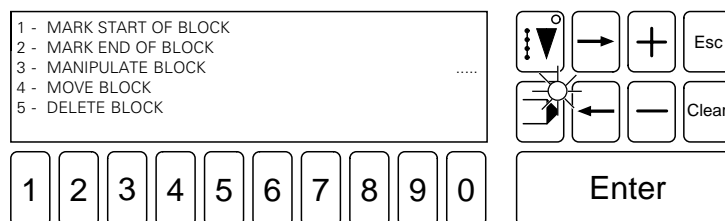


Fig. 11 - 37

1

MARK START OF BLOCK/MARK END OF BLOCK

After a desired point in the program has been selected by tracing the seam pattern, the function MARK START OF BLOCK allows you to determine the start of a block.

Marking the block must be completed by determining the end of the block. To do so, trace the pattern to the desired point and select the function

2

MARK END OF BLOCK. When tracing the seam pattern, the marked block can be identified since the section number and type are displayed on a dark background.

3

MANIPULATE BLOCK

This function comprises the sub-functions SCALE UP FACTOR FOR X-AXIS, SCALE UP FACTOR FOR Y-AXIS, ROTATION ANGLE and MIRROR. The functions can be performed separately or at the same time (see Fig. 11-38).

If the ROTATION ANGLE and MIRROR functions are to be performed simultaneously, the block is first mirrored and then rotated.

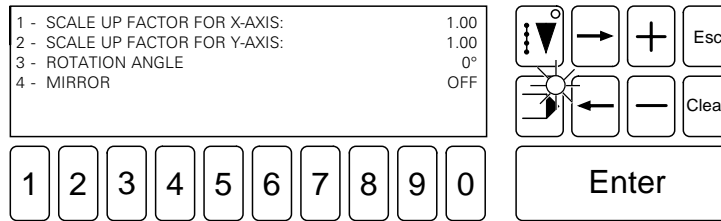


Fig. 11 - 38

- 1 SCALE UP FACTOR FOR X-AXIS
Enlarges a block.
 - 2 SCALE UP FACTOR FOR Y-AXIS
Reduces a block in size.
 - 3 ROTATION ANGLE
Rotates a block.
The block is rotated anti-clockwise around the start-of-block point.
 - 4 MIRROR
Mirrors a block. The block is mirrored around a straight line which runs through the start-of-block point and is parallel to the y-axis.
-
- 4 MOVE BLOCK
After the MOVE BLOCK function has been selected, the sewing jig feed device has to locate in a new spot. Press **Enter** to confirm the new position and move the block.
 - 5 DELETE BLOCK
Deletes a block.



Pattern functions (number key 5)

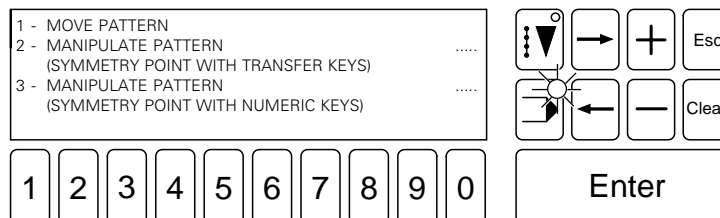


Fig. 11 - 39

- 1 MOVE PATTERN
After the MOVE PATTERN function has been selected, the sewing jig feed device has to locate in a new spot. Press **Enter** to confirm the new position. The pattern is then moved from the current position to the end of the program.
- 2 MANIPULATE PATTERN
(SYMMETRY POINT WITH TRANSFER KEYS)
The symmetry point is located (entered) by pressing the transfer keys.
- 3 MANIPULATE PATTERN
(SYMMETRY POINT WITH NUMERIC KEYS)
The symmetry point is determined by entering the coordinates via the **numeric keys**. After the symmetry point has been entered, the functions SCALE UP FACTOR FOR X-AXIS, SCALE UP FACTOR FOR Y-AXIS, ROTATION ANGLE and MIRROR are available. For a description of the function please refer to **page 11-21 MANIPULATE BLOCK**. All functions are applied to the entire program.

Input mode functions



Reference point for coordinates (number key 6)

Sets the coordinates in the display to "0", thus creating a new reference point.



Delete (number key 8)

Deletes the current section.



Change (number key 9)

Allows you to modify the current section.



Activate Insert (number key 0)

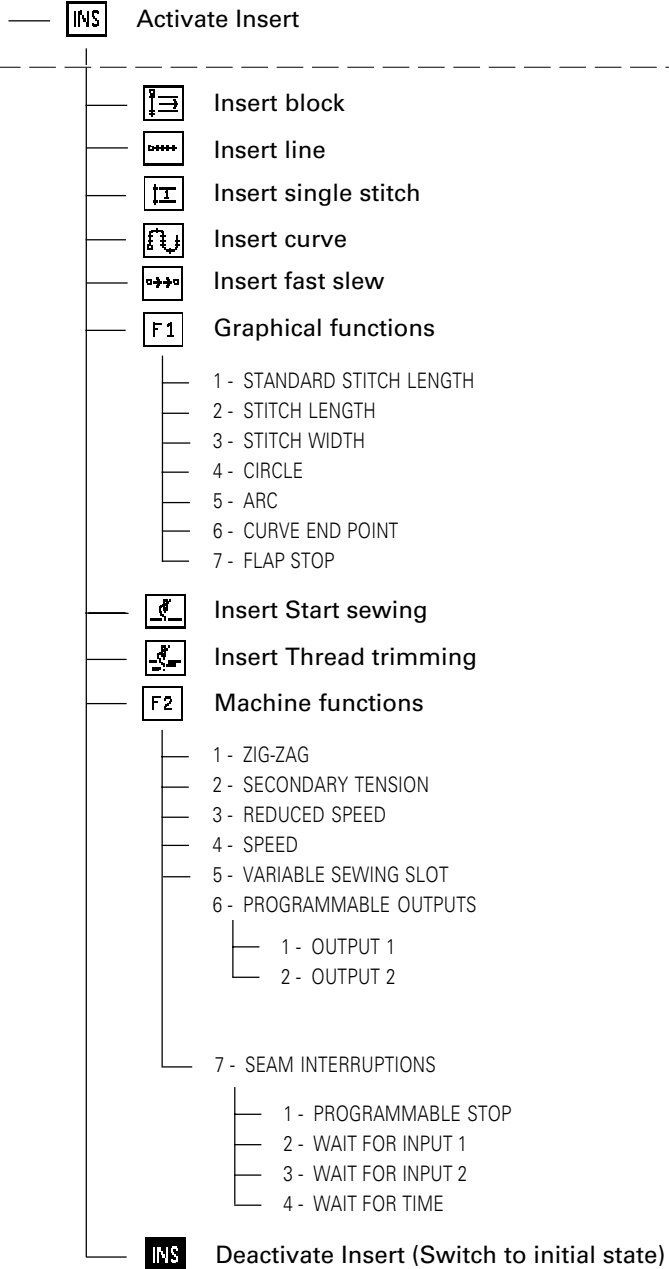
Allows you to switch between the **Insert** and **Initial state** mode.

When the function is switched off, **Initial state** is active.

11.06.05 Summary of the functions in the Insert mode



The **Activate Insert** can only be selected in the initial state of entering seam programs and after the program header has been traced (see **chapter 11.06.03 Summary of the functions in the initial state (entering seam programs)**)).



11.06.06 Explanation of the functions in the Insert mode

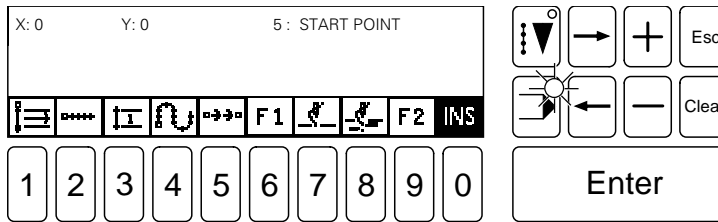


Fig. 11 - 40



Block (number key 1)

Inserts a block at the current position in forward direction.



Line (number key 2)

A line (straight line) is defined as a direct link between two points. In order to enter a line the stitch length must be defined.



Single stitch (number key 3)

Enters a single stitch or feed without taking any stitch length into account. The maximum size of the single stitch or feed is 6 mm.



Curve (number key 4)

You can enter as many points of the curve as you please. The control device calculates the course of the curve, taking the stitch length into account. Curve points do not necessarily have to be needle penetration points. A stitch length must be defined. The more curve points you enter, the more precise the course of the curve will be.



Fast Slew (number key 5)

With Fast Slew the sewing jig feed can be transferred quickly. Both axes are moved to the end point independently of each other and in the quickest possible way. Therefore, the resulting path of travel is not a straight line (be careful with obstacles on the jig). If the path has to be very precise, you have to work with the Line or Curve functions without the Start Sewing function.



Graphical functions F1 (number key 6)

The function key F1 accommodates graphical functions. They are displayed in a menu where they can be selected.

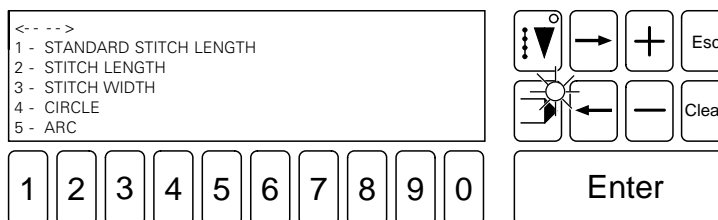


Fig. 11 - 41

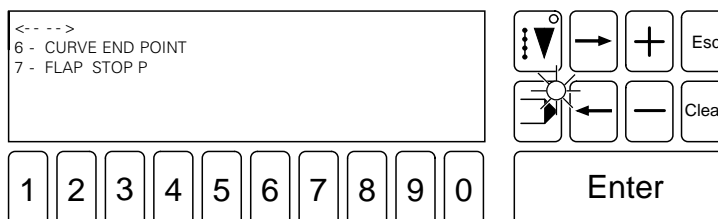


Fig. 11 - 42

- 1

STANDARD STITCH LENGTH

Determines the stitch length predominantly needed in the program. The standard stitch length is displayed in the status bar during sewing and can be changed at the stitch length control on the machine without having to go into the programming mode.

- 2

STITCH LENGTH

Determines a stitch length for a certain seam section. This stitch length is not displayed in the status bar and can only be changed in the programming mode.

- 3

STITCH WIDTH

Performs a zig-zig movement of the sewing jig feed on a base line. Here, the stitch length determines the feed along the base line from penetration point to penetration point and has to be selected accordingly. The stitch width runs perpendicular to the base line. The position of the zig-zag must be determined, too. To switch the stitch width off, enter 0.0 as width.

- 4

CIRCLE

If you wish to enter a circle, you have to determine three points. The first point is automatically the starting point. The two remaining points have to be entered. A stitch length must be defined.

- 5

ARC

For the arc, the same applies as for the circle. The last point, however, determines the end of the arc.

- 6

CURVE END POINT

Turns a curve point into a curve end point.

- 7

FLAP STOP

With this function the flap starting point is determined. The flap program will be cycled from this point on.



Start sewing (number key 7)

Starts the sewing operation. All following sections are sewn until the Thread trimming function is selected.



Thread trimming (number key 8)

Trims the thread. The Start sewing function must have been active before.



Machine functions F2 (number key 9)

This function key accommodates machine functions. They are displayed in a menu where they can be selected. All machine functions are assigned a relocation parameter with which the function can be shifted 99 stitches before or after the current position.



Fig. 11 - 43

Input mode functions

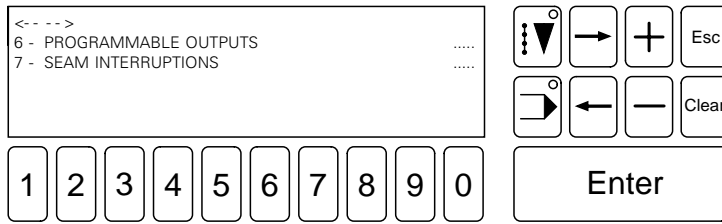



Fig. 11 - 43a

- 1** ZIG-ZAG
Allows you to enter a section for which the zig-zag device at the sewing head is additionally switched on. Without having to change into the programming mode, the zig-zig can be delayed at the machine (see **chapter 11.05**).
- 2** SECONDARY TENSION
Allows you to enter a section for which the secondary tension is switched on.
- 3** REDUCED SPEED
Allows you to enter a section for which the machine sews with reduced speed. The value for the reduced speed is selected at the machine (see **chapter 11.05**).
- 4** SPEED
A fixed speed is entered in the program.
- 5** VARIABLE SEWING SLOT
The sewing slot can be set wide or narrow.
- 6** PROGRAMMABLE OUTPUTS
Allows you to switch selectable outputs via a menu.
 - 1** OUTPUT 1
 - 2** OUTPUT 2
- 7** SEAM INTERRUPTIONS
Interrupts the sewing of the program. When you select this function, a menu is displayed which lets you choose the type of interruption.
 - 1** PROGRAMMABLE STOP
A stop is programmed in the program.
 -  Press the **Start** function to continue the sewing operation.
 - 2** WAIT FOR INPUT 1
The sewing of the program is interrupted until the input has reached the corresponding value.
 - 3** WAIT FOR INPUT 2
The sewing of the program is interrupted until the input has reached the corresponding value.
 - 4** WAIT FOR TIME
The sewing of the program is stopped until the program time has elapsed.

INS

Deactivate Insert (number key 0)

Allows you to switch between the **Insert** and **Initial state** mode.

When the function is active (i.e. displayed on a dark background), the **Insert** mode is active.



The CREATE / MODIFY PROGRAM function can be ended at any time by pressing the operation mode keys (**INPUT/SEWING**). In general, the function should be concluded with stitch generation since only complete programs, i.e. programs with a stitch data record, can be sewn. It is, however, possible to end the program without stitch generation so that faulty or uncompleted programs can be saved.

Input mode functions

11.06.07 Example for programming a seam

In the following, the programming of a seam is explained by means of an example. As a pattern for programming we will use a drawing with the corresponding coordinates (see Fig. 11-44).



In order to use the seam program, the sewing jig and the corresponding part set must match.

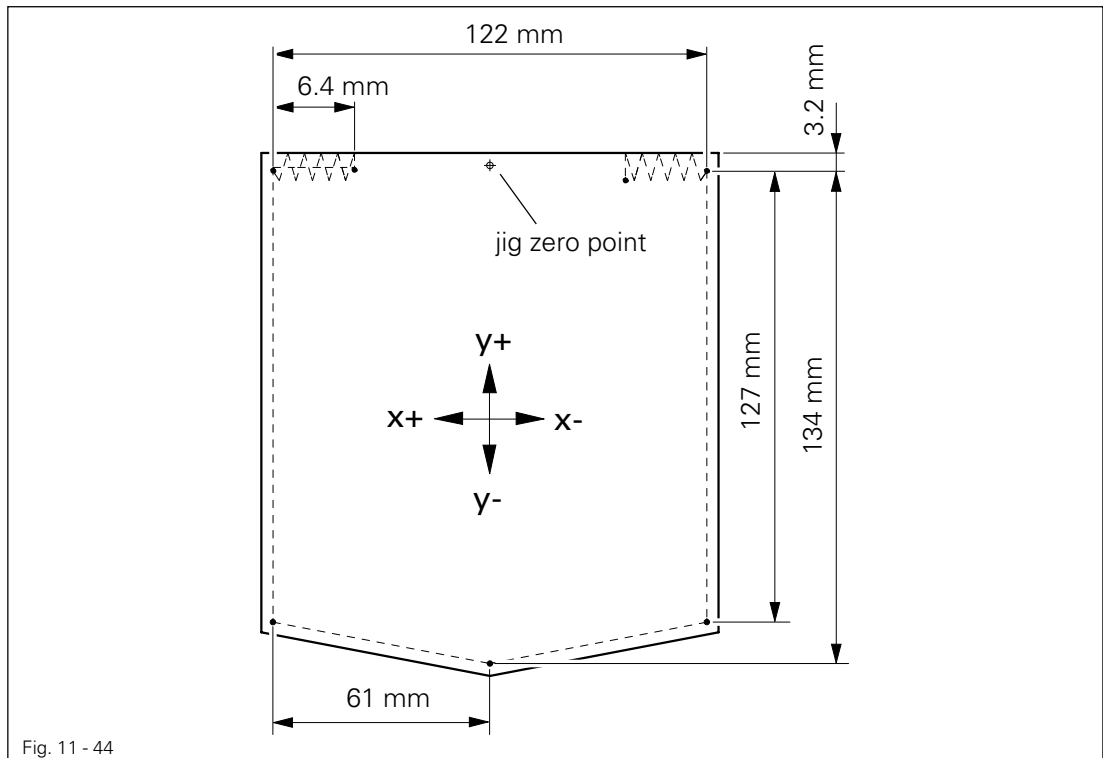


Fig. 11 - 44



- Select **INPUT** mode (prior to the selection, the machine must be in basic position).



- Select the **Input menu** function (number key 0).



- Select the **CREATE / MODIFY PROGRAM** function.

- If required, enter the respective code number via the **number keys**.

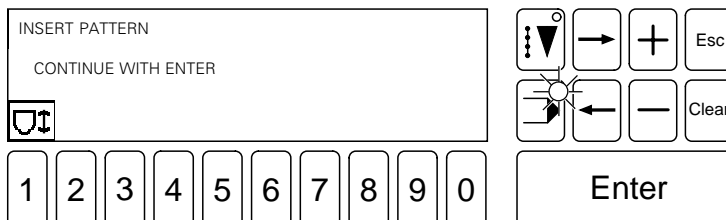


Fig. 11 - 45



- Lift the sewing jig (number key 1) and insert the pattern.



- Lower the sewing jig (number key 1).



- Press **Enter**.

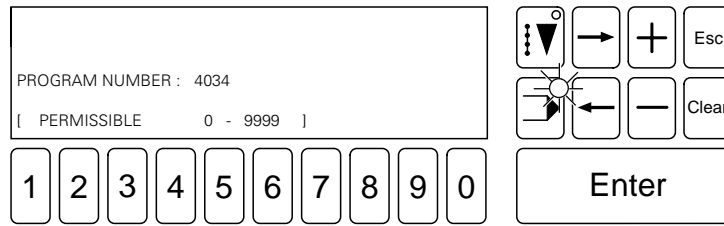
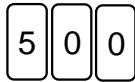


Fig. 11 - 46



- Enter the desired program number via the **number keys** (e. g. 500 for a seam program to be created)



- Confirm by pressing **Enter**.

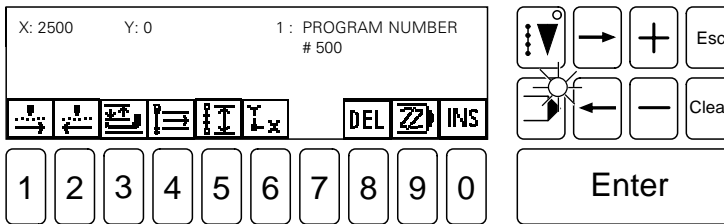


Fig. 11 - 47



- Move step by step through the program header over the section „Obstructions“ with the **number keys 1 or 2**, until you find the display where you can input the jig code (in this case, „obstructions“ means that additional devices have been attached to the sewing jig, e.g. a variable sewing slot).

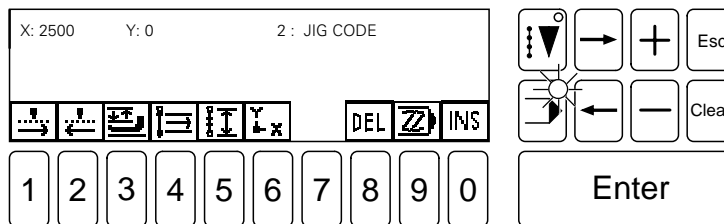


Fig. 11 - 48



- Select the **Change** function to change the setting for the jig code (number key 9).

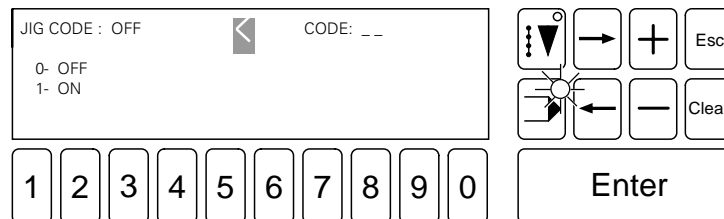


Fig. 11 - 49



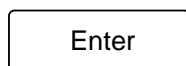
- Press **number key 1** to switch the jig code on.



- Press **right arrow key** to be able to enter the jig-code number. (The cursor jumps to CODE: __.)



- Enter the jig-code number via the **number keys** (e. g. 99).



- Confirm by pressing **Enter**.

Input mode functions

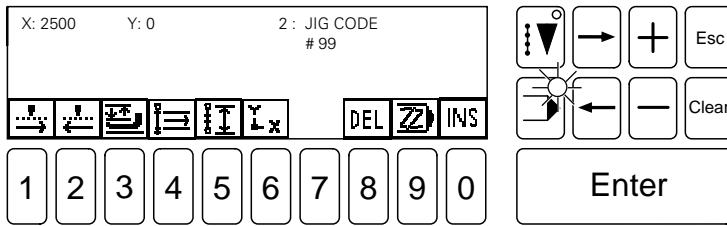


Fig. 11 - 50



- Select the **Step-by-step forwards** function (number key 1). The sewing jig now positions in the starting position.

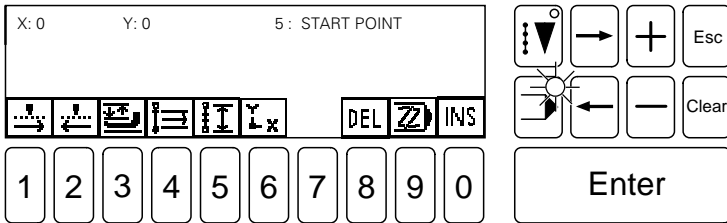


Fig. 11 - 51



- Select the **Change** function (number key 9) to enter the starting position.

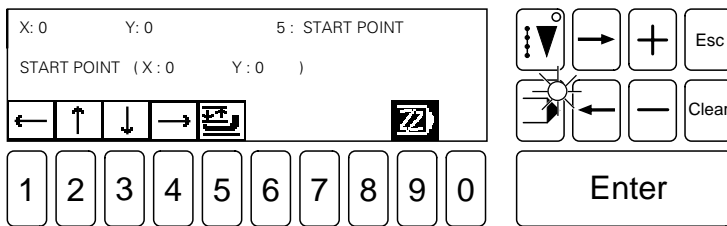


Fig. 11 - 52

- Move to the start point using the **number keys 1 - 4**.



By pressing **Esc**, the value of the coordinates can be reset to value which was last stored.



- Confirm by pressing **Enter**.

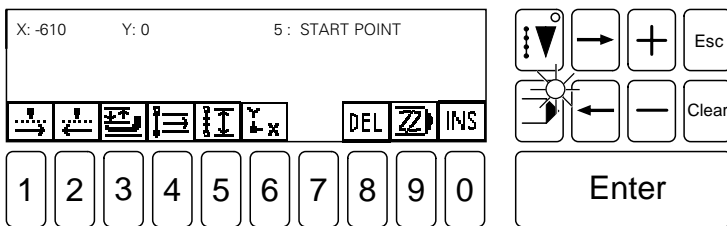


Fig. 11 - 53



- Activate the **Insert mode** (number key 0).

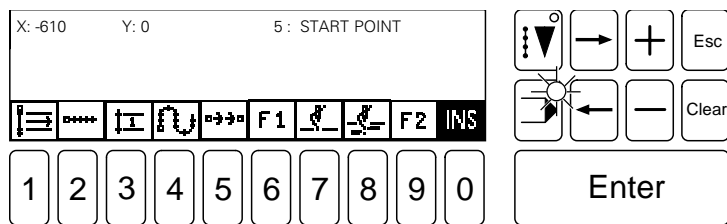


Fig. 11 - 54



- Select the **Start sewing** function (number key 7).

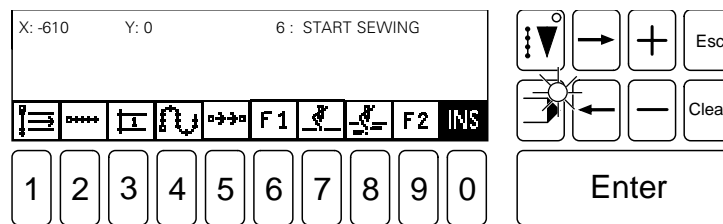


Fig. 11 - 55



- Select **Graphical functions** (number key 6).

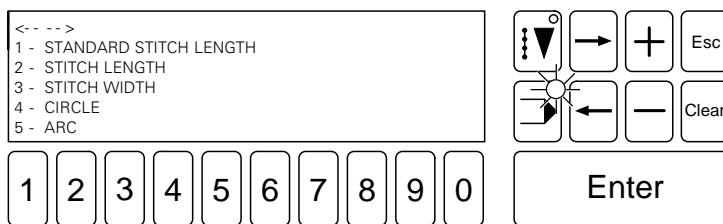


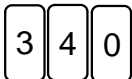
Fig. 11 - 56



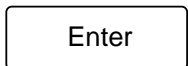
- Select the **STANDARD STITCH LENGTH** function.



Fig. 11 - 57



- Enter the value for the standard stitch length via the **number keys** (e.g. 3.40 mm)



- Confirm by pressing **Enter**.

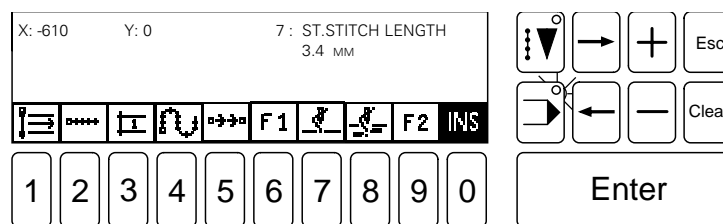


Fig. 11 - 58



- Select the **Line** function (number key 2) to insert a straight line.

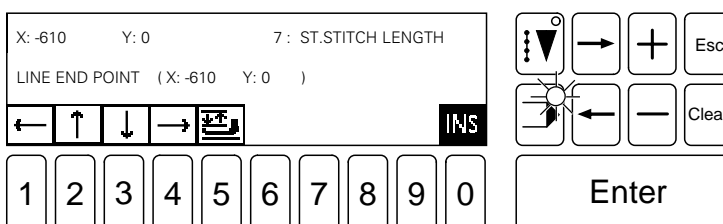


Fig. 11 - 59

- Move to the line end point using the **number keys 1 - 4**.

Input mode functions

Enter ● Confirm by pressing **Enter**.

Esc ● Press **Esc** to end entering data for the straight line.

Fig. 11 - 60

F2 ● Select **Machine functions** (number key 9).

Fig. 11 - 61

1 ● Select the ZIG-ZAG function.

1 ● Switch on the ZIG-ZAG function.

Enter ● Confirm by pressing **Enter**.

Fig. 11 - 62


F1 ● Select **Graphical functions** (number key 6).

2 ● Select the STITCH LENGTH function.

0 2 3 ● Enter the stitch length via the number keys (e. g. 0.23 mm).

Enter ● Confirm by pressing **Enter**.

Fig. 11 - 63

-  ● Select the **Line** function (number key 2).
- Move to the line end point (number keys 1 - 4).

Enter

- Press **Enter**.

Esc

- Press **Esc**.

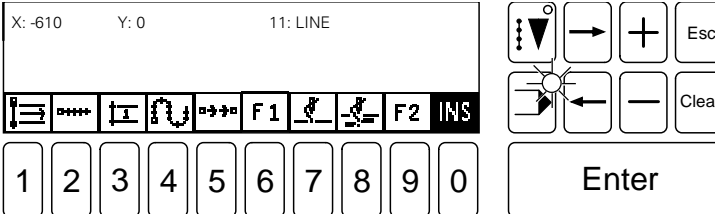


Fig. 11 - 64

- F2** ● Select **Machine functions** (number key 9).
- 1** ● Switch off the ZIG-ZAG function (number key 1).

Enter

- Press **Enter**.

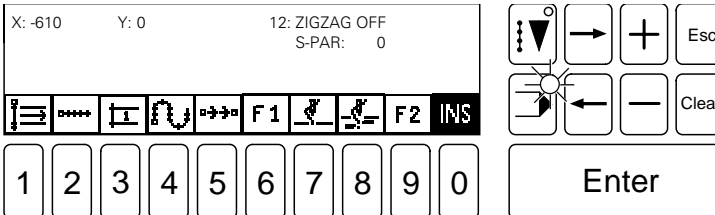


Fig. 11 - 65

- F1** ● Select **Graphical functions** (number key 6).
- 1** ● Switch on the STANDARD STITCH LENGTH function.
(You will jump to the new menu - the value stays unchanged.)

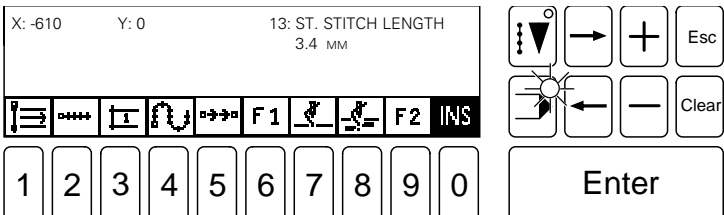
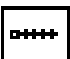


Fig. 11 - 66

-  ● Select the **Line** function.
- Move to the end point of the line (number keys 1 - 4).

Enter

- Press **Enter**.
(You remain in the menu for entering straight lines.)

Input mode functions

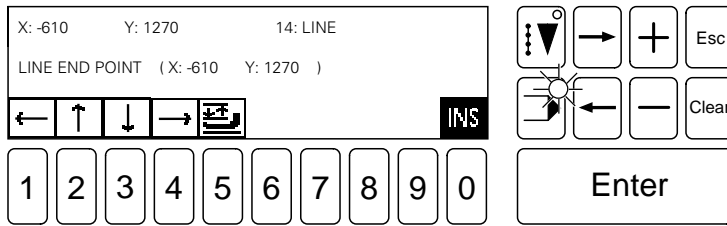
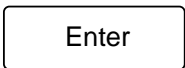


Fig. 11 - 67

- Move to the next end point of the line.



- Press Enter.

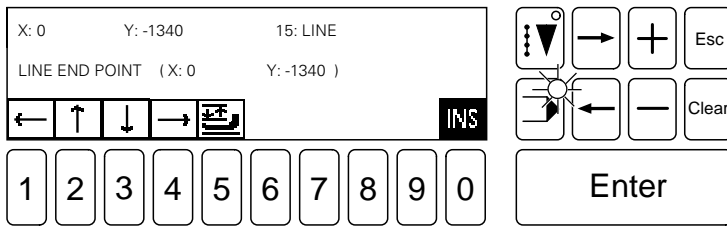


Fig. 11 - 68

- Move to the next end point of the line.



- Press Enter.

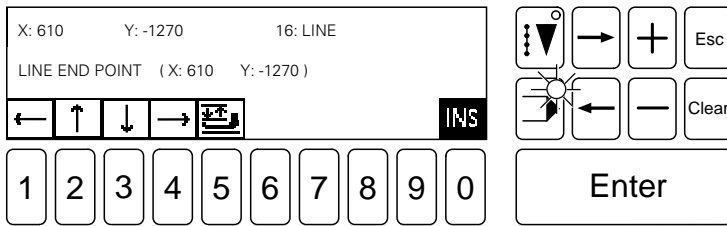
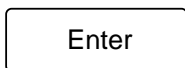


Fig. 11 - 69

- Move to the next end point of the line.



- Press Enter.

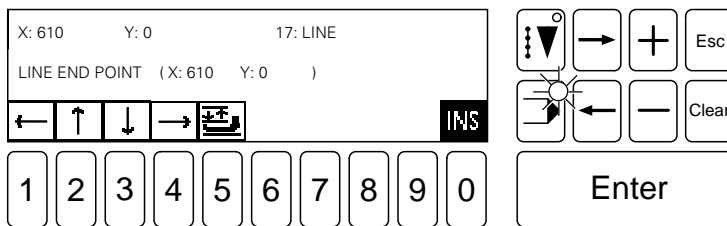


Fig. 11 - 70



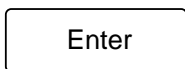
- Press Esc.



- Select Machine functions.



- Select the ZIG-ZAG function.



- Press Enter.

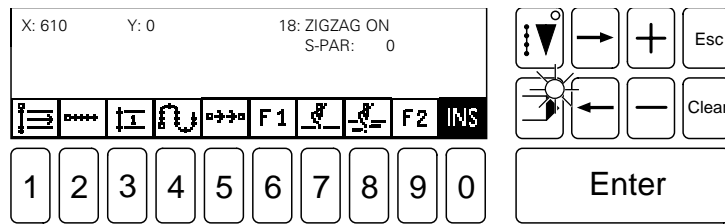


Fig. 11 - 71

- F1** ● Select Graphical functions.
- 2** ● Select STITCH LENGTH function.
- 0 2 3** ● Enter the value for the stitch length (e. g. 0.23 mm)
- Enter** ● Press Enter.

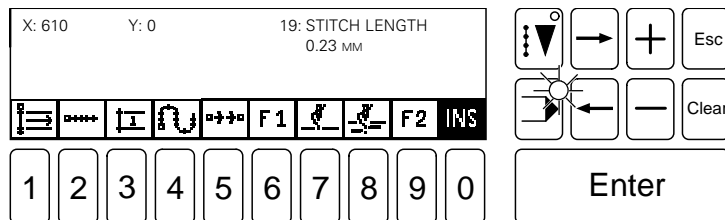


Fig. 11 - 72

- Line function icon** ● Select the Line function.
- Enter** ● Move to the end point of the line.
- Enter** ● Press Enter.

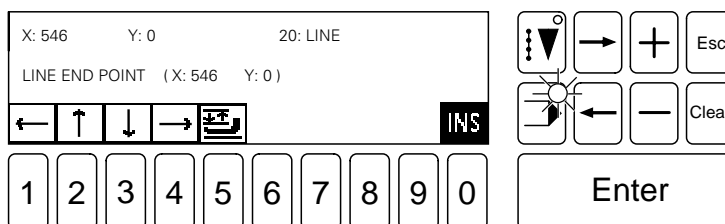


Fig. 11 - 73

- Esc** ● Press Esc.
- F2** ● Select Machine functions.
- 1** ● Select the ZIG-ZAG function.
- Enter** ● Press Enter.

Input mode functions

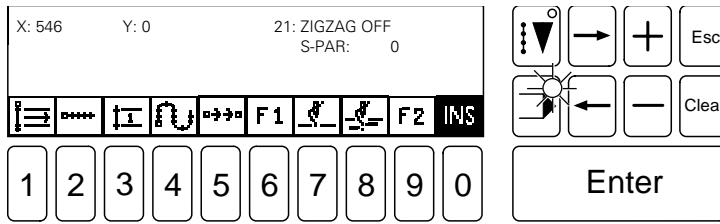


Fig. 11 - 74



- Switch on **Thread trimming**.

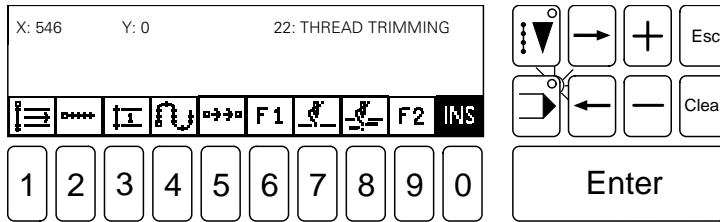


Fig. 11 - 75



- Select **INPUT** mode to end the seam programming.
(The seam program is loaded in the machine memory.)



You must perform the stitch generation in order to be able to sew with the created or modified seam program. Incomplete or faulty programs may be ended without stitch generation. However, when selecting the seam program in the **SEWING** mode, the respective error message will be displayed.

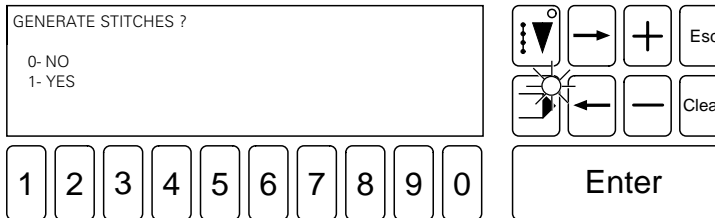


Fig. 11 - 76

1

- Perform the stitch generation.



Always execute a newly created or modified seam program step by step to make sure that it matches the sewing jig!



- After the respective program number has been entered, the created seam program can be sewn in the **SEWING** mode.

		Chapter - Page
	Contents	
12	Care and maintenance	12 - 1
12.01	Cleaning the machine	12 - 2
12.02	Cleaning the hook	12 - 3
12.03	Cleaning the blower air filter	12 - 3
12.04	Cleaning the air filter of the air filter/lubricator unit	12 - 4
12.05	Checking / regulating air compression	12 - 4
12.06	Checking the oil level of the sewing head lubrication	12 - 5
12.07	Lubricating the needle bar frame eccentric	12 - 5
12.08	Lubricating sewing jig feed	12 - 6
12.09	Lubricating the pocket plate guide	12 - 7
13	Adjustment	13 - 1
13.01	Notes on adjustments	13 - 1
13.02	Tools, gauges and other accessories	13 - 1
13.03	Abbreviations	13 - 1
13.04	Removing/inserting sewing head	13 - 2
13.05	Adjusting the sewing head	13 - 3
13.05.01	Spacing between sewing head and bedplate	13 - 3
13.05.02	Sewing head position in relation to the bedplate	13 - 4
13.05.03	Upper and lower toothed belt guards	13 - 5
13.05.04	Counterweight	13 - 6
13.05.05	Preadjusting the needle height	13 - 7
13.05.06	Zero stitch	13 - 8
13.05.07	Centering the needle in the needle hole	13 - 9
13.05.08	Zigzag stitch movement	13 - 10
13.05.09	Needle bar rise, hook-to-needle clearance, needle height and needle guard	13 - 11
13.05.10	Bobbin case opener stroke	13 - 13
13.05.11	Counter presser lifting stroke	13 - 14
13.05.12	Counter presser height	13 - 15
13.05.13	Counter presser position	13 - 16
13.05.14	Zigzag stitch width	13 - 17
13.05.15	Resting position of the roller lever / radial position of the control cam	13 - 18
13.05.16	Thread catcher height	13 - 19
13.05.17	Thread catcher position and knife height	13 - 20
13.05.18	Knife pressure	13 - 21
13.05.19	Bobbin thread clamp spring	13 - 22
13.05.20	Manual cutting test	13 - 23
13.05.21	Presser height	13 - 24
13.05.22	Bobbin winder	13 - 25
13.05.23	Needle thread tension release	13 - 26
13.05.24	Thread check spring and slack thread regulator	13 - 27
13.05.25	Sewing head lifting cylinder	13 - 28
13.05.26	Synchronizer	13 - 29
13.05.27	Hook lubrication	13 - 30

	Contents	Chapter - Page
13.06	Adjusting the folding, feed and stacker devices	13 - 32
13.06.01	Aligning the sewing jig	13 - 32
13.06.02	Height of the pocket plate guide	13 - 33
13.06.03	Aligning the pocket plate arm	13 - 34
13.06.04	Aligning the pocket plate guide	13 - 35
13.06.05	Front pocket plate position	13 - 36
13.06.06	Monitoring the sewing jig feed	13 - 37
13.06.07	Positioning the edge folding unit	13 - 38
13.06.08	Aligning the die	13 - 39
13.06.09	Control sequence of the folder plates	13 - 40
13.06.10	Position of folder plates	13 - 41
13.06.11	Position of corner folders	13 - 42
13.06.12	Aligning the seam in relation to the pocket	13 - 43
13.06.13	Seam backtack distance	13 - 44
13.06.14	Stacking device	13 - 45
13.06.15	Aligning the feed rollers	13 - 46
13.07	Shaping folder plates	13 - 47
13.07.01	New installation / self-manufacture of folder plates	13 - 47
13.07.02	Slanting the lateral folder plates	13 - 48

Care and maintenance

Clean the entire machine	weekly
Clean the hook compartment	several times daily
Clean needle area	several times daily
Check oil level for sewing head lubrication	daily before use
Lubricate needle bar frame eccentric	every 2 months
Lubricate jig guides	every 2 months
Lubricating the pocket plate guide	every 2 months
Clean the blower air filter	as required
Check air pressure	daily before use
Clean air filter of the air filter/lubricator unit	as required



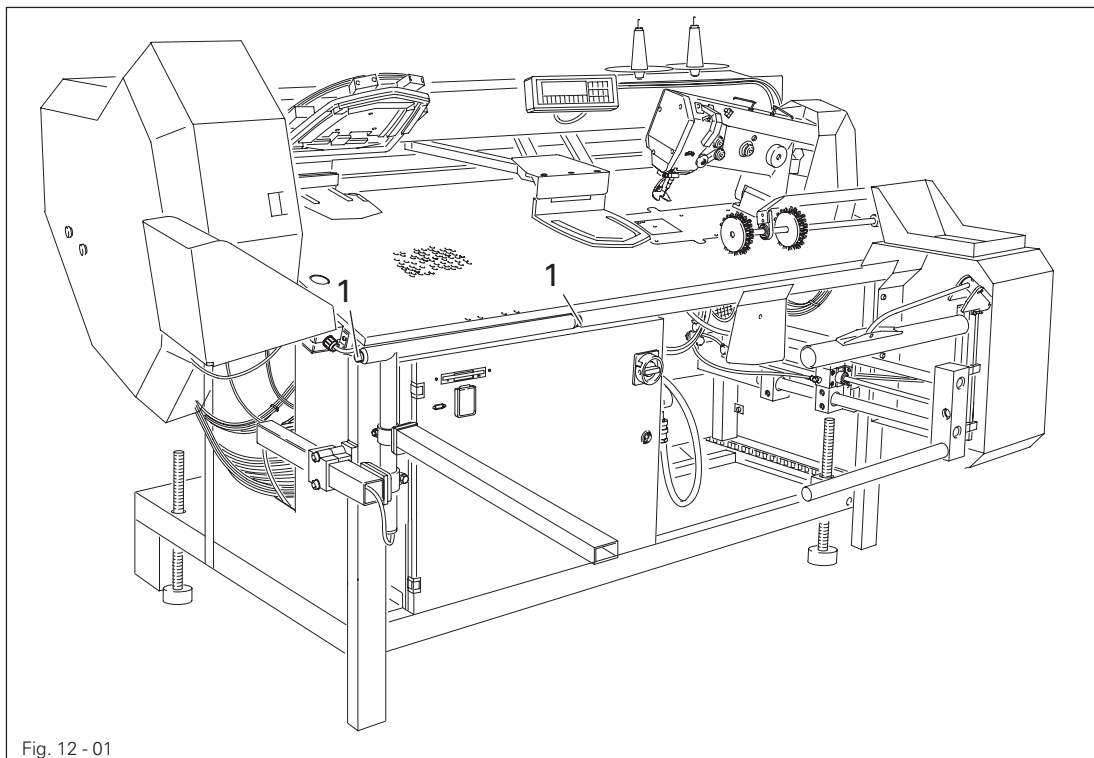
These maintenance intervals are calculated for the average running time of a single-shift operation. If the machine is operated more often, shorter intervals are recommended.

12.01 Cleaning the machine

The required cleaning cycle for the sewing machine is dependent on the following factors:

- Single or multi-shift operation
- Accumulation of dust from the various fabrics

Thus, appropriate cleaning instructions can only be determined on an individual basis for each machine.



To avoid operation disturbances, we recommend the following cleaning work for a machine in single shift operation:



- Clean the hook compartment and the needle area of the sewing head several times daily.
- Clean the entire machine at least once a week.

To do this:



- Select **SEWING** mode.



- Select **MANUAL SEWING** function (number key 0).



- Select the **change bobbin** function (number key 8).
(Sewing head tilts up / hook compartment cover opens).

- After cleaning is finished, press the double-start keys **1** simultaneously.
(Sewing head tilts down / hook compartment cover closes).

12.02 Cleaning the hook

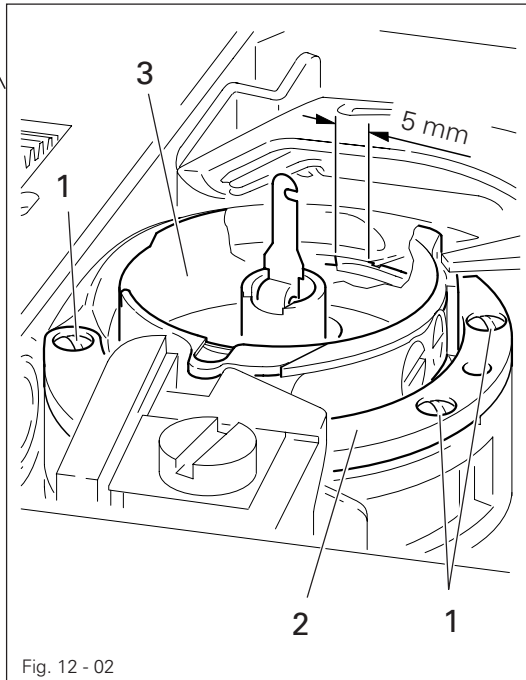


Fig. 12 - 02

- Unscrew screws 1.
- Remove hook gib 2.
- Turn handwheel until the tip of the bobbin case 3 penetrates the hook race groove by approx. 5 mm.
- Remove the bobbin case 3.
- Clean the hook race.
- Reinsert bobbin case 3.
- Screw on hook gib 2.
- Press double-start keys.

12.03 Cleaning the blower air filter

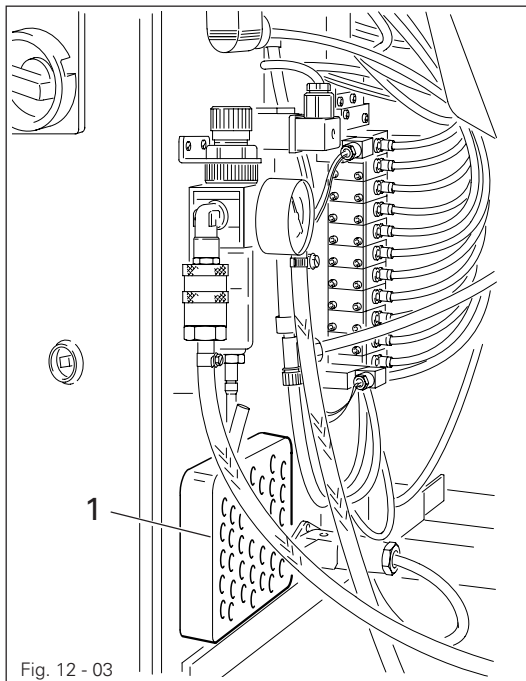


Fig. 12 - 03

- Remove cover 1.
- Take out filter element and clean with compressed air.
- Insert the clean filter element and replace cover 1.

12.04 Cleaning the air filter of the air filter/lubricator unit

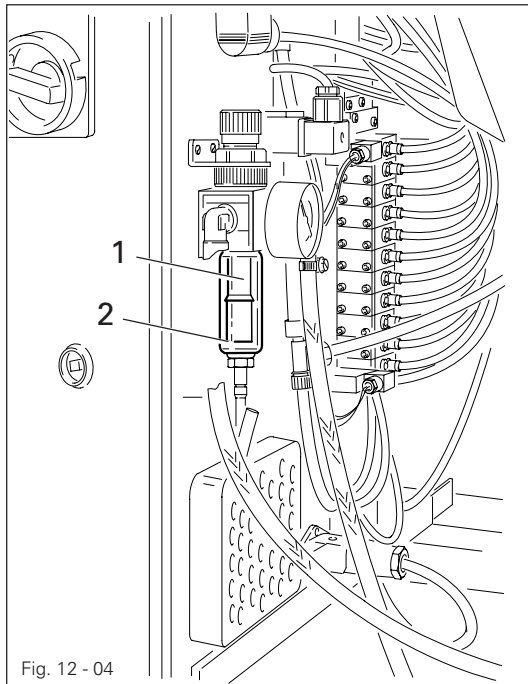


Fig. 12 - 04



The filter element **1** must be cleaned whenever the working pressure of **6 bar** is no longer achieved.



Switch off the machine and ensure that it cannot be switched on accidentally!
Turn off compressed air!

- Unscrew drum **2**.
- Remove filter element **1**.
- Clean filter element **1** and drum **2** with benzene.
- Blast filter element **1** from the inside out with compressed air.
- Screw on drum **2**. (Make sure that the seals are positioned properly!)

12.05 Checking / regulating air compression

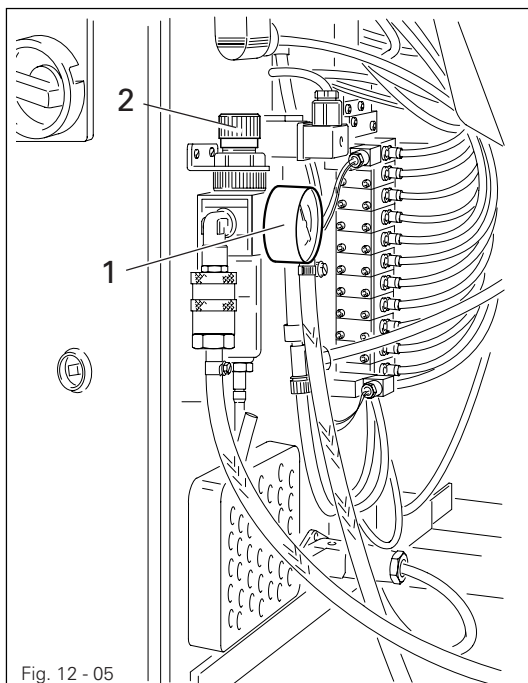


Fig. 12 - 05



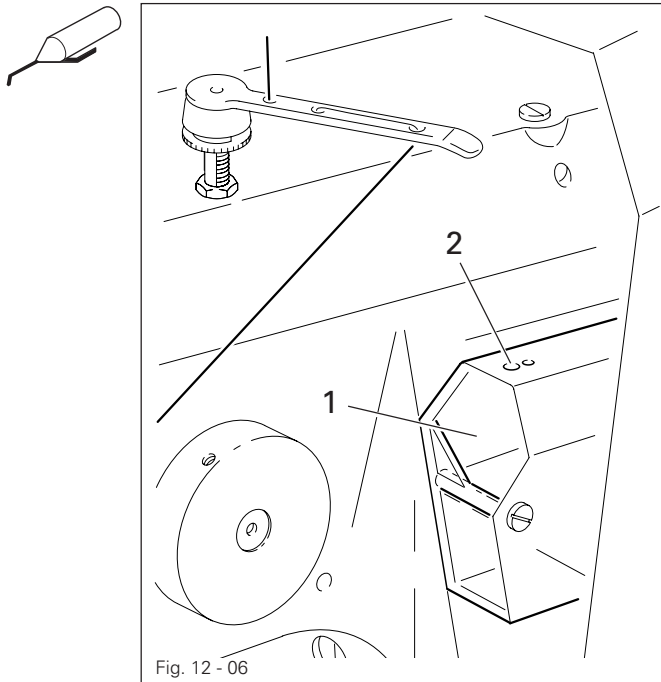
The manometer **1** must indicate a pressure of **6 bar**!

- Always check the air compression on the manometer **1** before operating the machine.
- When required, adjust this value by turning control **2**.



When the compressed air is turned off, the water trap is emptied automatically. Place a suitable container underneath the opening.

12.06 Checking the oil level of the sewing head lubrication

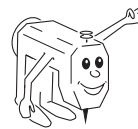


- The oil level in drum 1 must be checked daily before use of the machine.
- The oil level must be between the upper and lower markings of drum 1.
- When necessary, pour oil through hole 2.



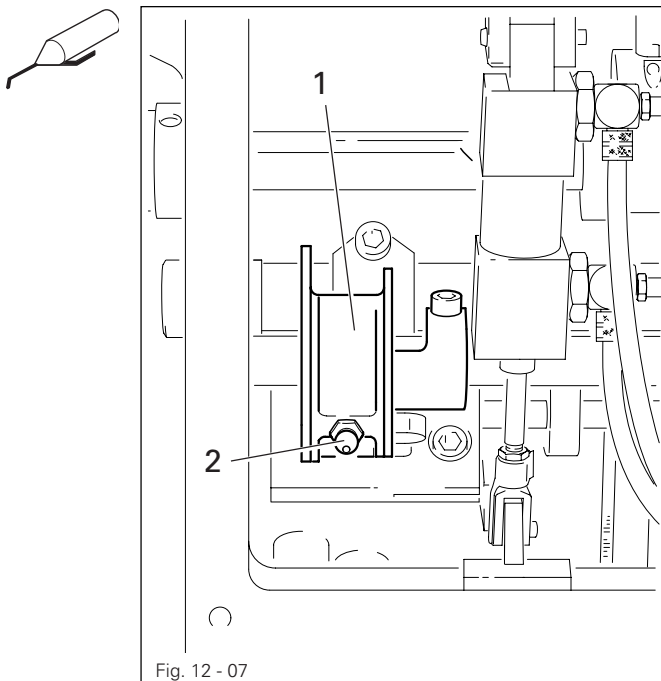
Only use oil with a mean viscosity of 22.0 mm²/s at 40°C and a density of 0.865 g/cm³ at 15°C.

- Before the machine is first operated or whenever the machine has been at a standstill for a longer period of time, also add a few drops of oil to the hook race.



We recommend PFAFF sewing machine oil, part no. 280-1-120 144.

12.07 Lubricating the needle bar frame eccentric



Switch off the machine and ensure that it cannot be switched on accidentally! Turn off compressed air!



Only use Isoflex Topas L32, high-performance grease, part No. 280-1-120 210.

- Unscrew the cover on the reverse side of the sewing head.
- Grease eccentric 1 via grease nipple 2 using a grease gun every 2 months for single-shift operation and monthly for double-shift operation.
- Screw on cover.

12.08 Lubricating sewing jig feed

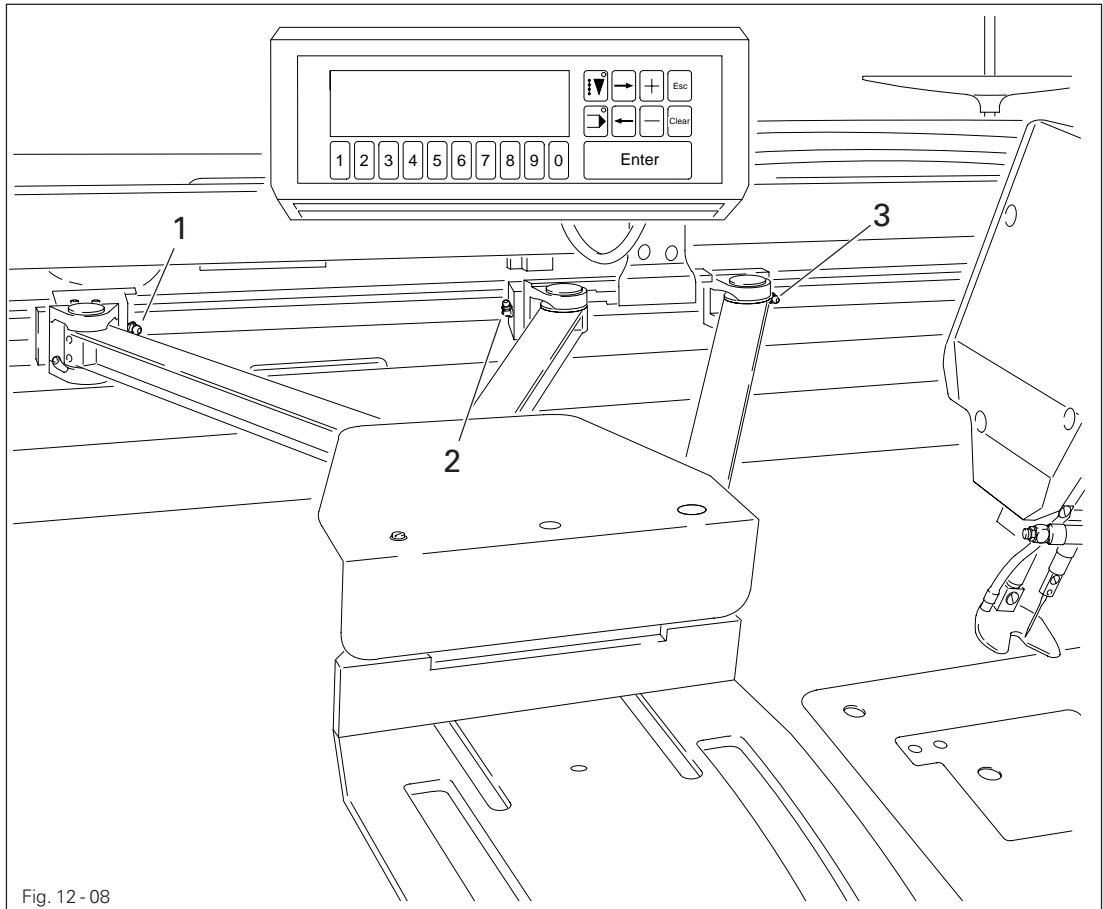


Fig. 12 - 08



Switch off the machine and ensure that it cannot be switched on accidentally!

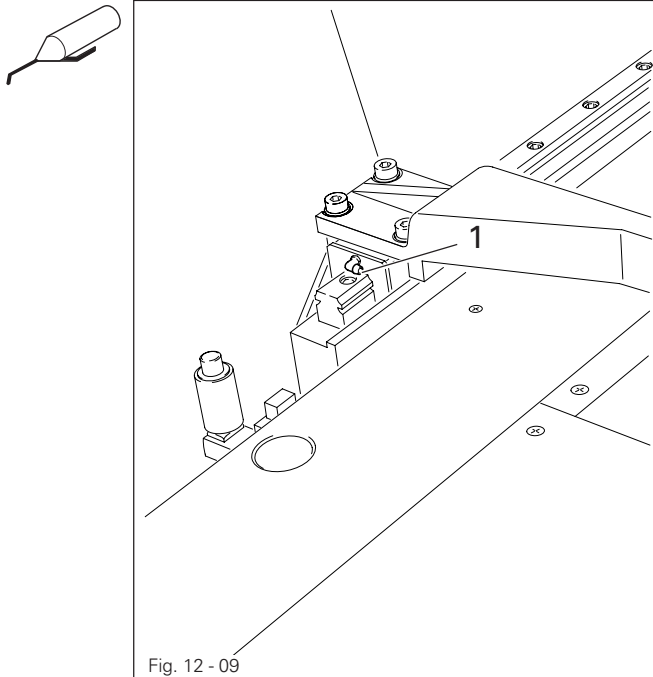


Only use Isoflex Topas L32, high-performance grease, part No. 280-1-120 210.



- Unscrew the cover of the sewing jig feed.
- Grease the guides via grease nipple 1, 2 and 3 using a grease gun every 2 months for single-shift operation and monthly for double-shift operation.
- Screw on cover.

12.09 Lubricating the pocket plate guide



Switch off the machine and ensure that it cannot be switched on accidentally!



Only use Isoflex Topas L32, high-performance grease, part No. 280-1-120 210.

- Grease the guide at grease nipple 1 using a grease gun every two months for single-shift operation and monthly for two-shift operation.

13 Adjustment



Before beginning any adjustment work, take note of the safety regulations found in **chapter 1 Safety** of this instruction manual!

13.01 Notes on adjustments

All adjustments in these adjustment instructions are based on a completely assembled machine and must only be carried out by appropriately trained specialists. Covers on the machine which have to be removed for checks and adjustment work and later remounted are not mentioned. The parts in () are for securing machine parts and must be loosened before the adjustment and retightened after all adjustments are carried out.

13.02 Tools, gauges and other accessories

- 1 set of screwdrivers with blade widths from 2 to 10 mm
- 1 set of wrenches with jaw widths from 6 to 22 mm
- 1 set of Allan keys from 1.5 to 6 mm
- 1 universal screwdriver with interchangeable blades
- 1 metal ruler
- 1 adjustment pin (zero point adjustment)
- 1 adjustment gauge (for sewing head adjustments)
- 1 adjustment gauge (for adjustments to feed)
- 1 needle rise gauge, part no. 61-111 600-01
- 1 adjustable clamp, part no. 08-880 137 00
- Sewing thread and test material
- Needles

13.03 Abbreviations

TDC = top dead center

BDC = bottom dead center

13.04 Removing/inserting sewing head



Turn off compressed air!
Switch off main switch and ensure that it cannot be turned back on accidentally.

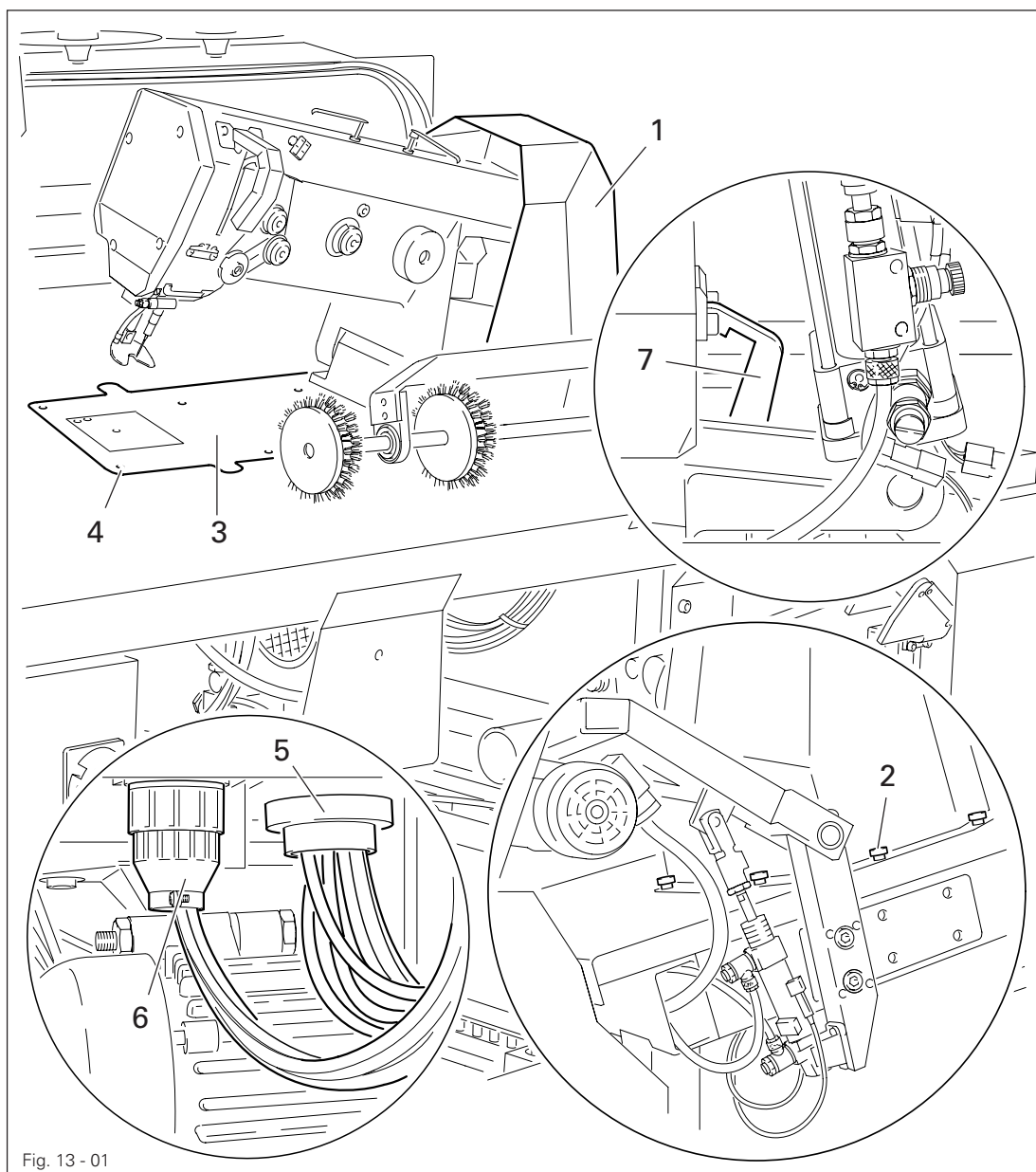
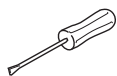


Fig. 13 - 01



- To remove the sewing head, remove the protective cover 1 (screws 2).
- Remove the cover plate 3 (screws 4; 6 screws altogether)
- Unplug pneumatic power supply 5 and electrical power supply 6.
- Unhook catch 7 and fold down sewing head.
- Remove V-belt from belt pulley on motor.
- Lift sewing head and remove from its bracket.
- Remove the ground cable of the sewing head.
- To insert the sewing head, carry out the steps above in reverse.

13.05 Adjusting the sewing head

13.05.01 Spacing between sewing head and bedplate

Requirement

When the sewing head is lowered, the distance from the lower edge of the shaft 1 to the bedplate must be **132.8 mm**.

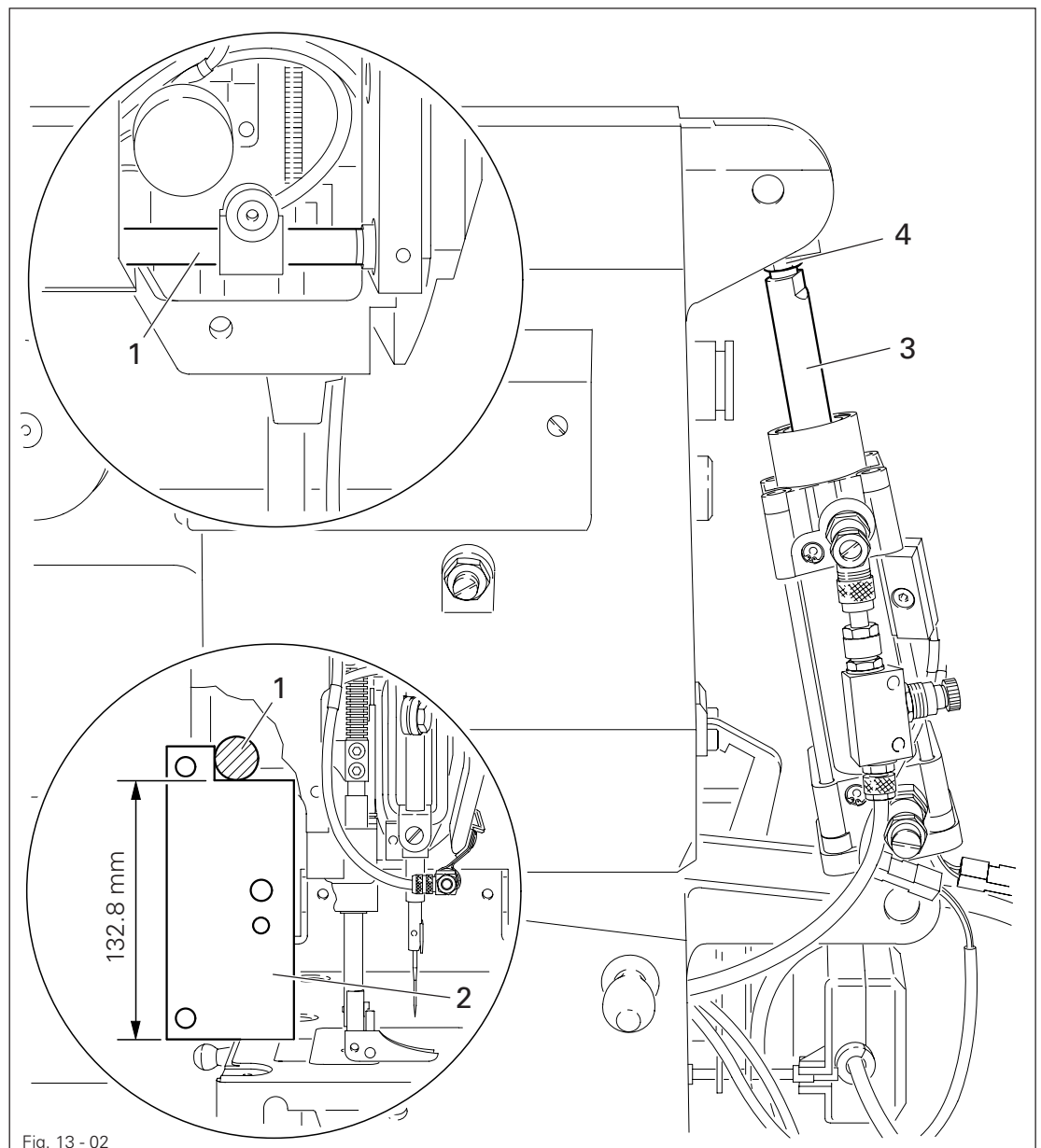
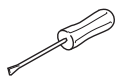


Fig. 13 - 02



- Check the distance between the shaft 1 and the bedplate using adjustment gauge 2.
- If required, turn plunger 3 (nut 4) according to the requirement.

13.05.02 Sewing head position in relation to the bedplate

Requirement

When the sewing head is lowered, after the screws **3** have been loosened, the presser bar **4** must pass exactly through the corresponding hole in the adjustment gauge **1**.

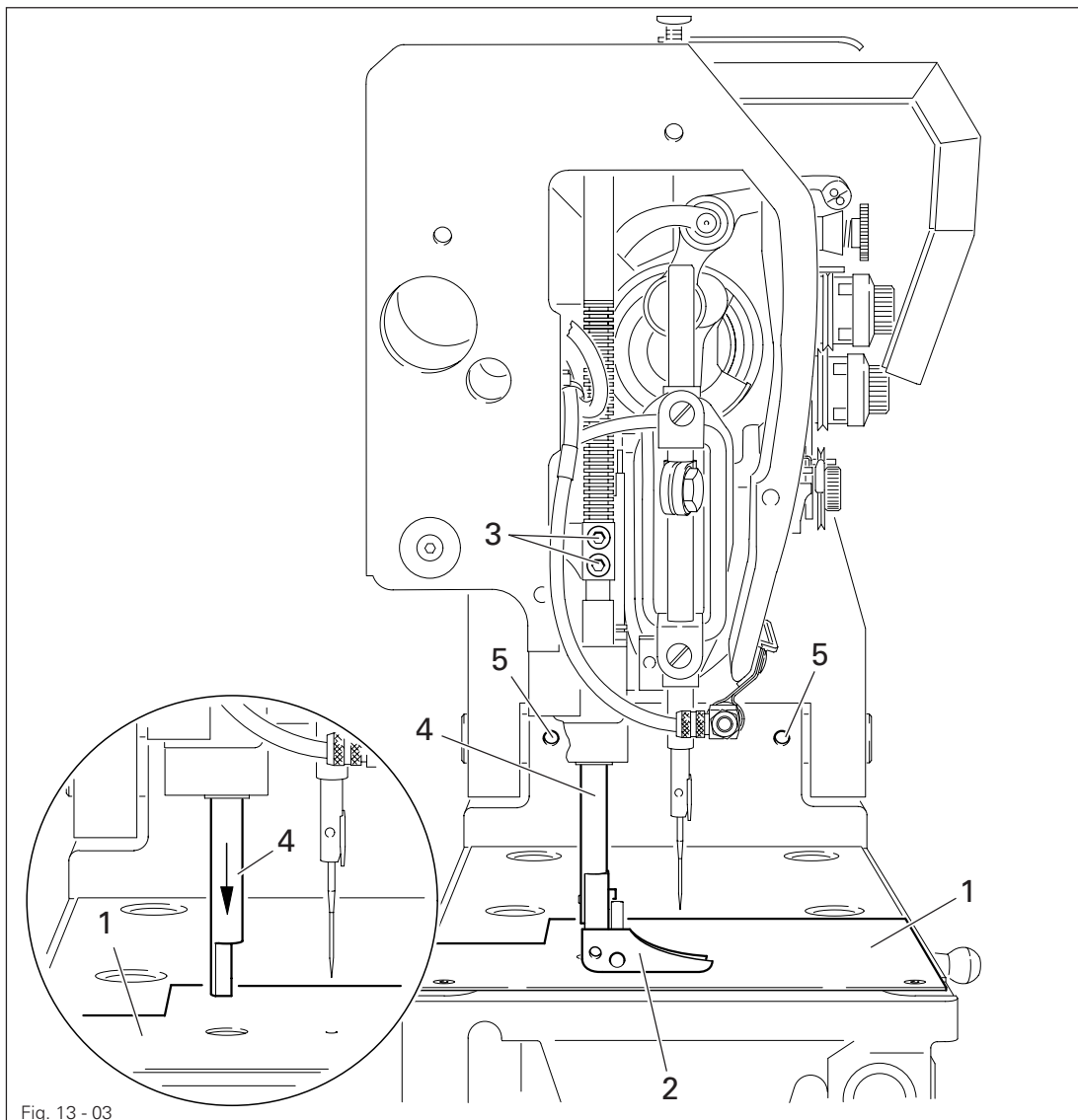
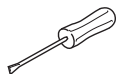


Fig. 13 - 03



- Unscrew needle plate and screw on adjustment gauge **1**.
- Unscrew presser **2**.
- Loosen screws **3** and guide presser bar **4** into the hole in the adjustment gauge **1**.
- If required, move sewing head (screws **5**) according to the **requirement**.
- Move presser bar **4** back to its original position and tighten screws **3** lightly.

Adjustment gauge **1** remains screwed on for further adjustments.

The precise adjustment of the presser bar **4** is described in **chapter 13.05.21 Presser height**.



13.05.03 Upper and lower toothed belt guards

Requirement

The upper and lower toothed belt guards must be positioned as close as possible over the toothed belt sprockets without touching them.

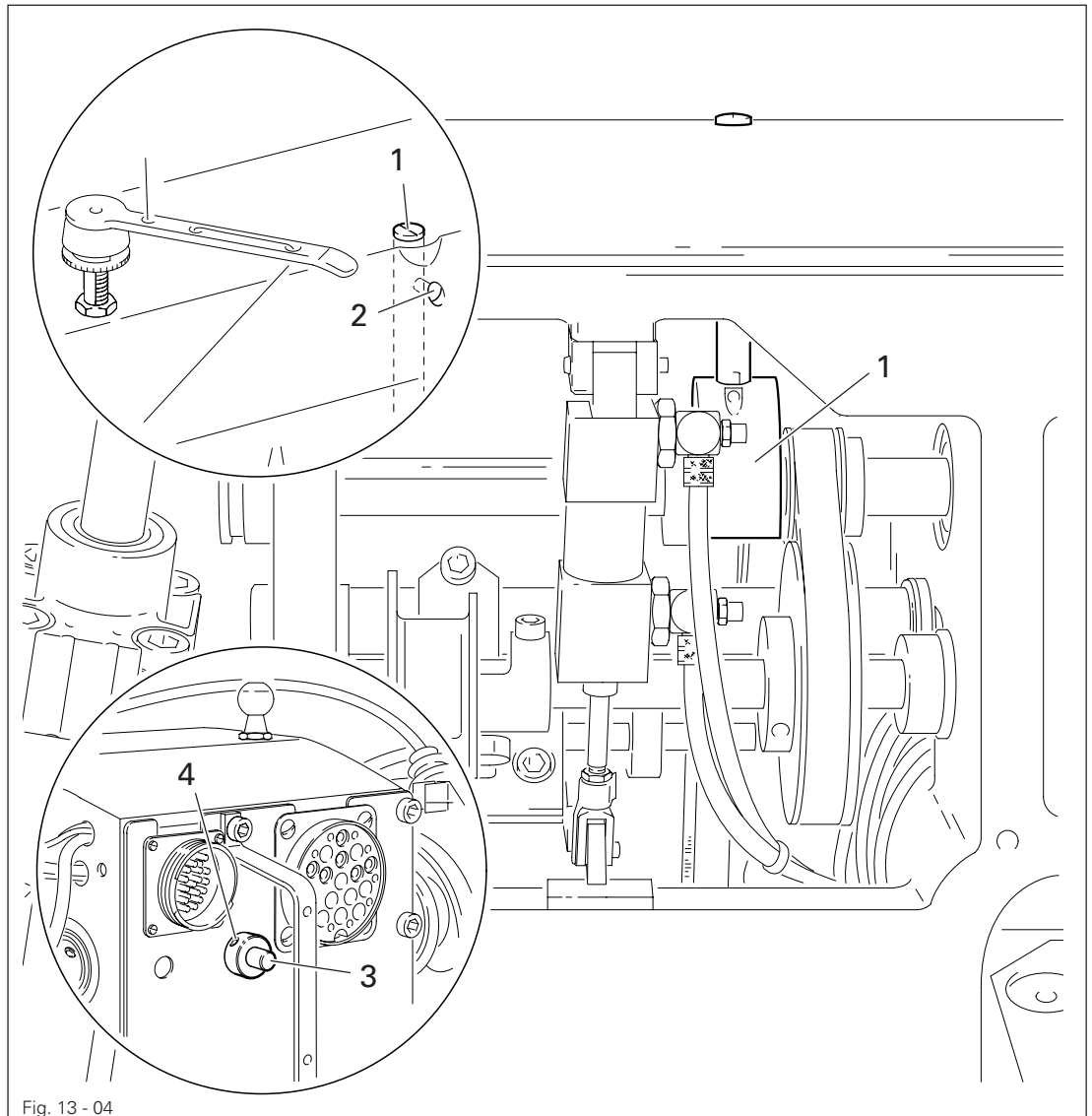
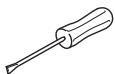


Fig. 13 - 04



- Move the upper 1 (screw 2) and lower toothed belt guards 3 (screws 4) at the underside of the sewing head according to the **requirement**.



Carry out the adjustment carefully!
Otherwise, when the sewing head is raised up, the toothed belt could disengage!

Adjustment

13.05.04 Counterweight

Requirement

In needle bar position BDC the largest eccentricity of the counterweight 1 must be at the top.

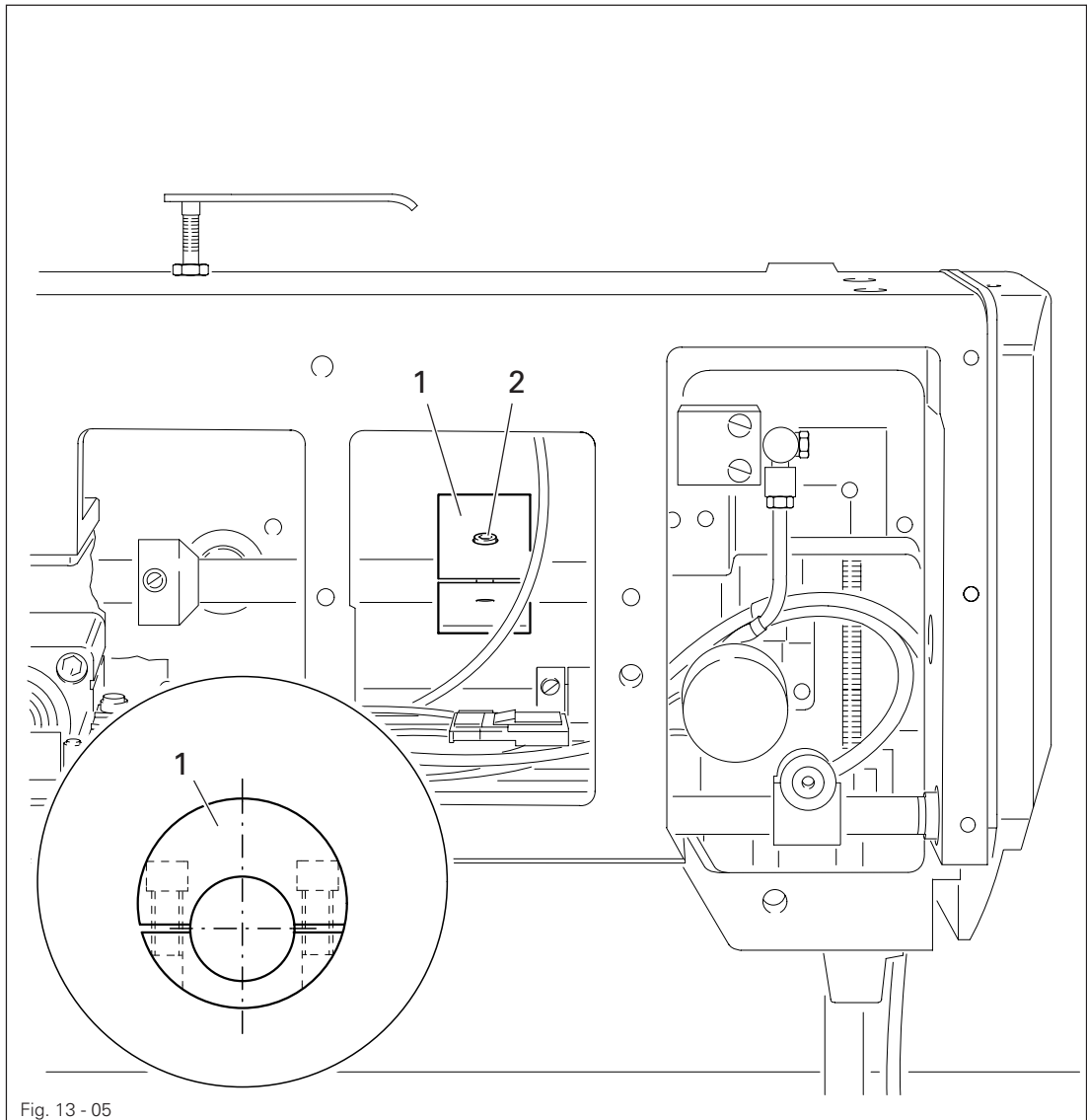
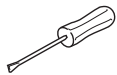


Fig. 13 - 05

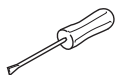
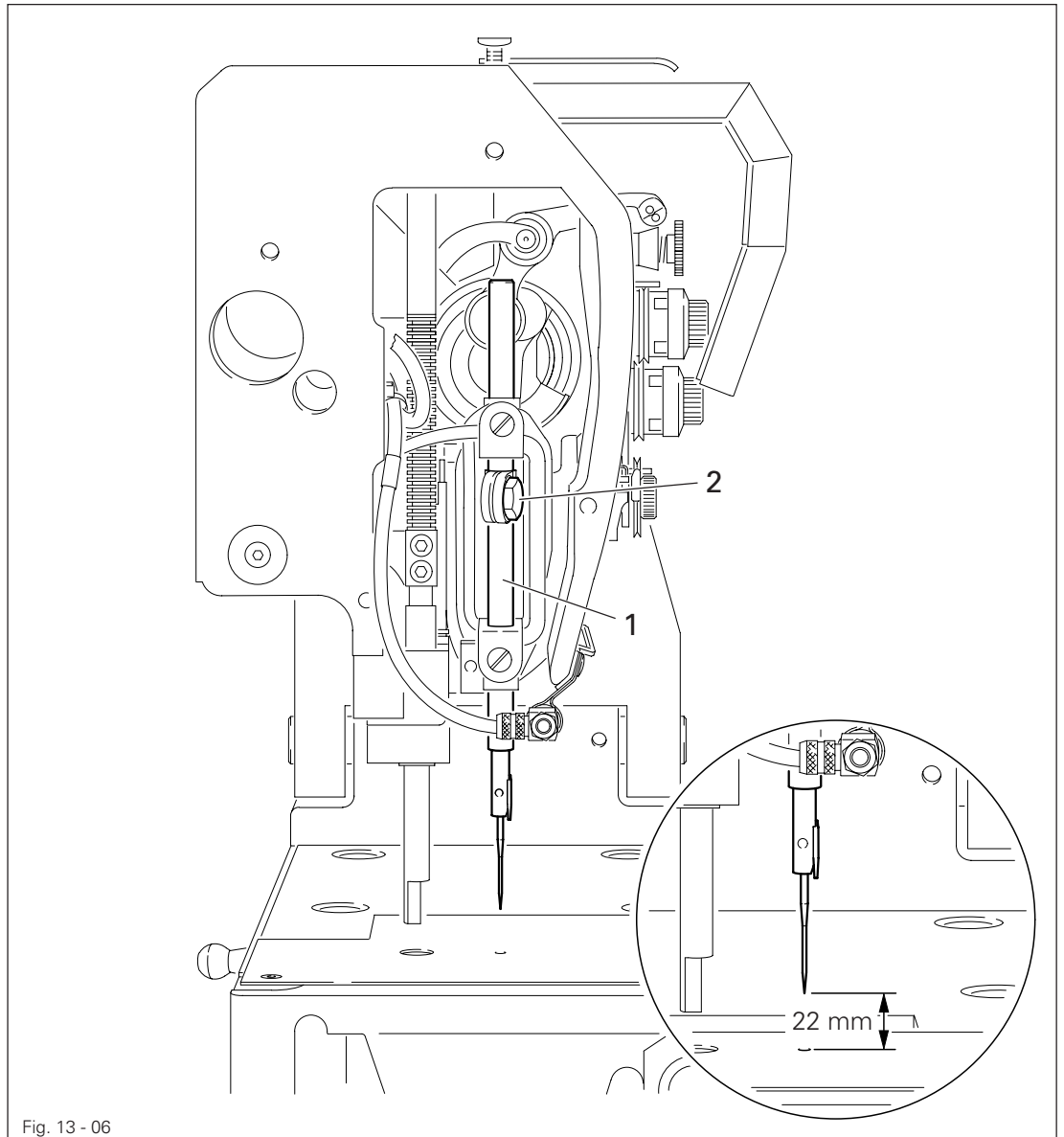


- Move needle bar to BDC.
- Turn counterweight 1 (screws 2) according to the **requirement**.

13.05.05 Preadjusting the needle height

Requirement

At needle bar position TDC, the distance between the needle point and the adjustment gauge must be approx. 22 mm.



- Move needle bar 1 (screws 2) without twisting it according to the requirement.

Adjustment

13.05.06 Zero stitch

Requirement

When the cylinder plunger 1 is fully extended (straight stitch position), the crank 2 must not carry out any movement when the handwheel is turned.

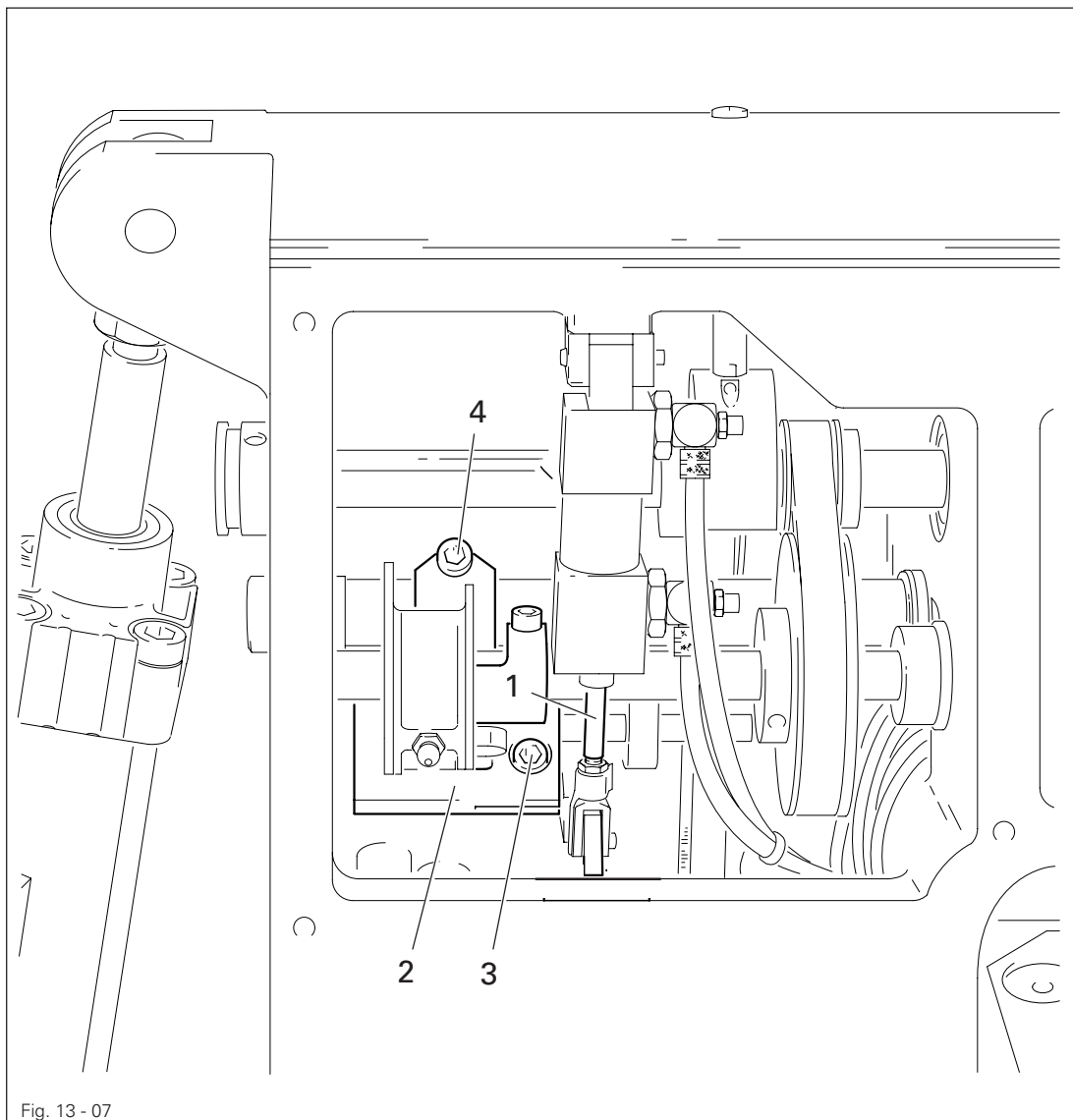
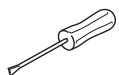


Fig. 13 - 07



- Pull out cylinder plunger 1 fully.
- Turn crank 2 (screw 3) according to the requirement.



In order to better recognize the movement of the crank, insert an Allan key into screw 4.

13.05.07 Centering the needle in the needle hole

Requirement

When the cylinder plunger 5 is fully extended (straight stitch position), adjustment pin 1 must fit precisely into the corresponding adjustment hole of the adjustment gauge 8.

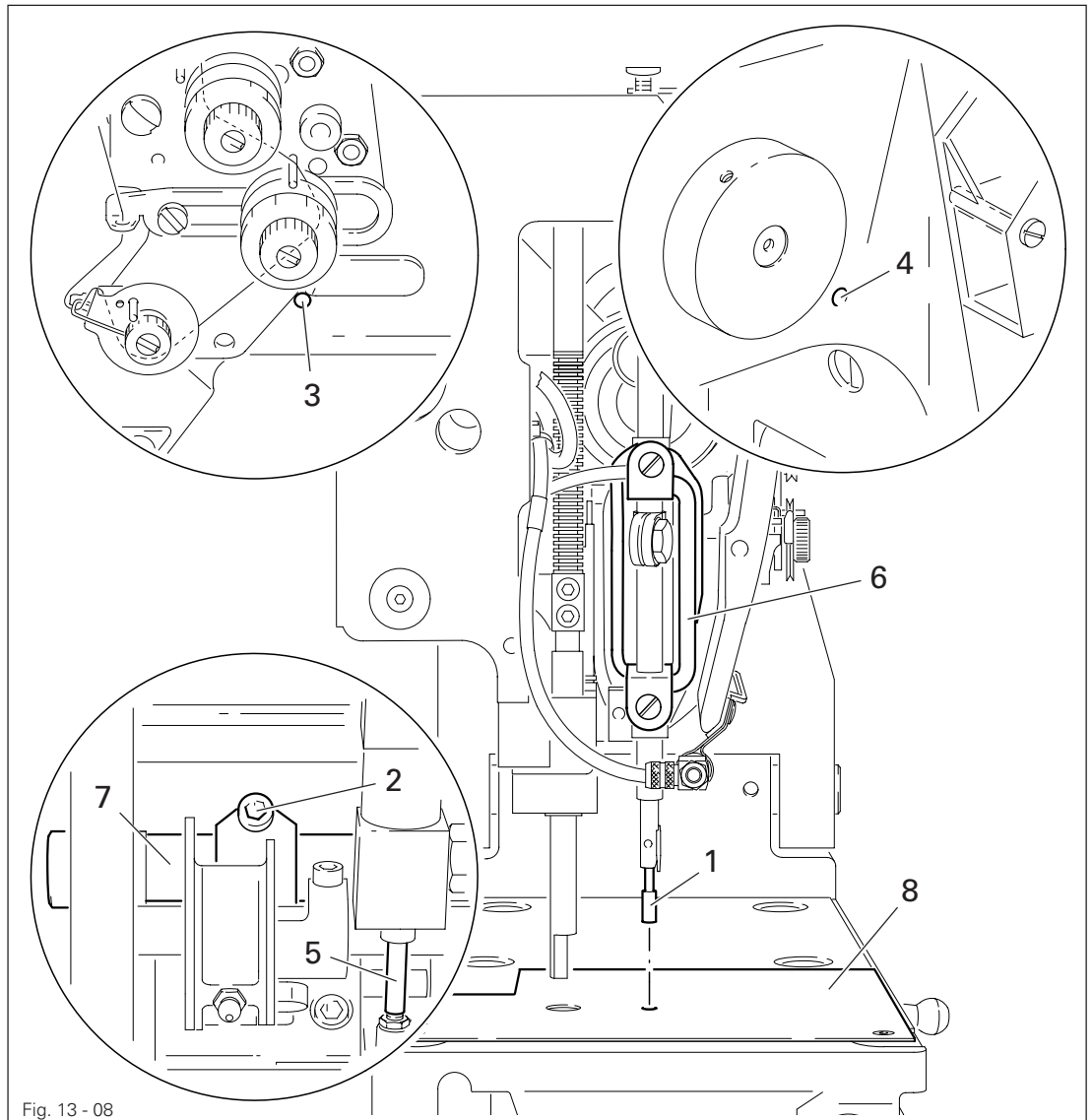
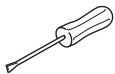


Fig. 13 - 08

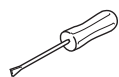
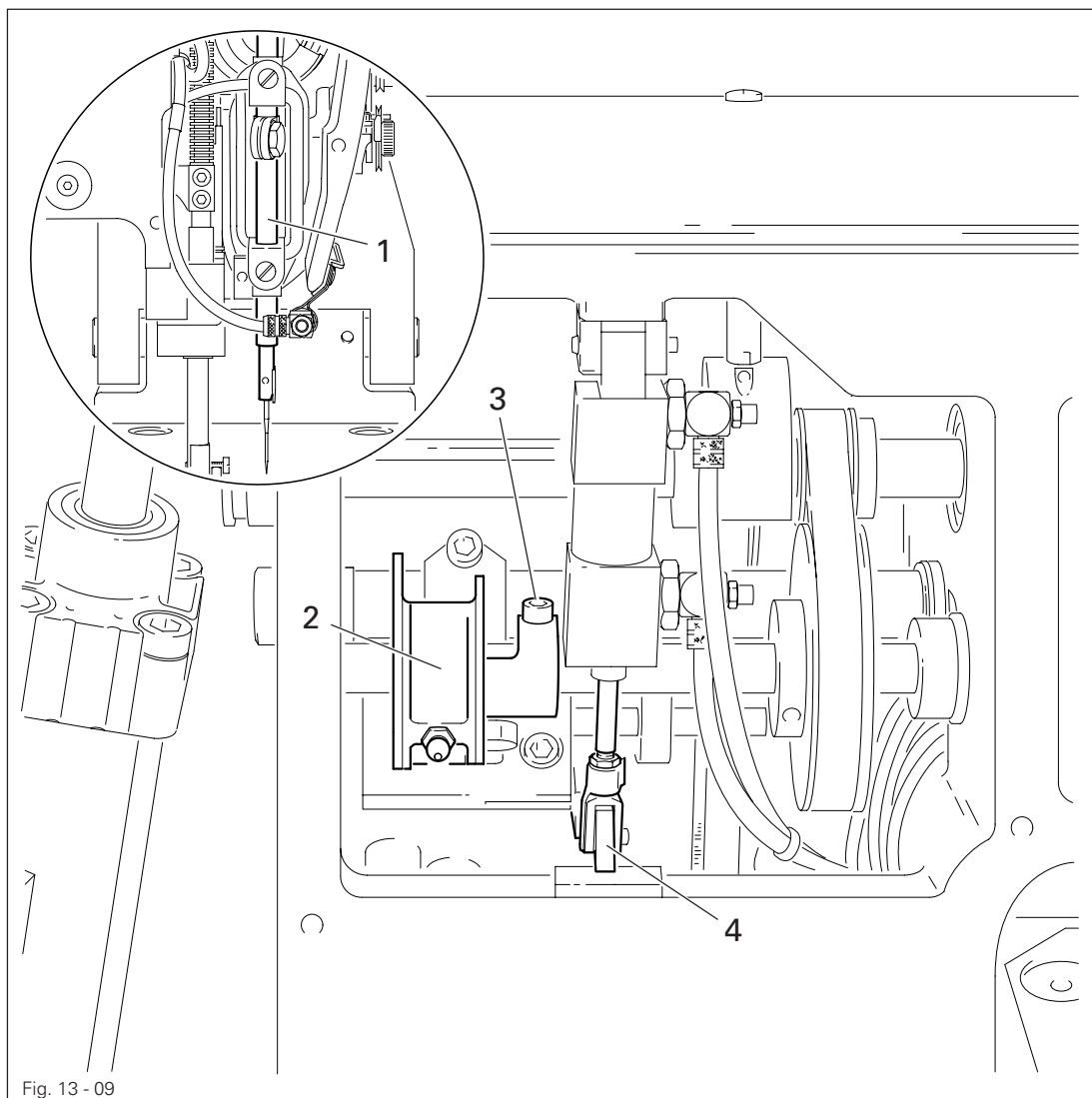


- Insert adjustment pin 1 into the needle bar and screw tight.
- Loosen screws 2, 3 and 4.
- Pull out cylinder plunger 5 until it stops.
- Move needle bar frame 6 according to the **requirement**.
- Turn shaft 7 according to the **requirement**.
- Tighten screws 2, 3 and 4.
- Unscrew adjustment gauge 8 and adjustment pin 1.

13.05.08 Zigzag stitch movement

Requirement

When the needle is in TDC, the needle bar 1 must not carry out any movement when the lever 4 is operated.



- Bring needle bar 1 to TDC.
- Turn eccentric 2 (screw 3), without twisting it, according to the requirement.

13.05.09 Needle bar rise, hook-to-needle clearance, needle height and needle guard

Requirement

In straight stitch position and with the needle bar 2.4 past BDC,

1. the hook point must be at the **middle of the needle**; the distance between the needle and the hook point must be from **0.05 to 0.1 mm**.
2. the top edge of the needle eye must be **1.0 mm** below the hook point, and
3. the needle guard **4** must touch the needle lightly.

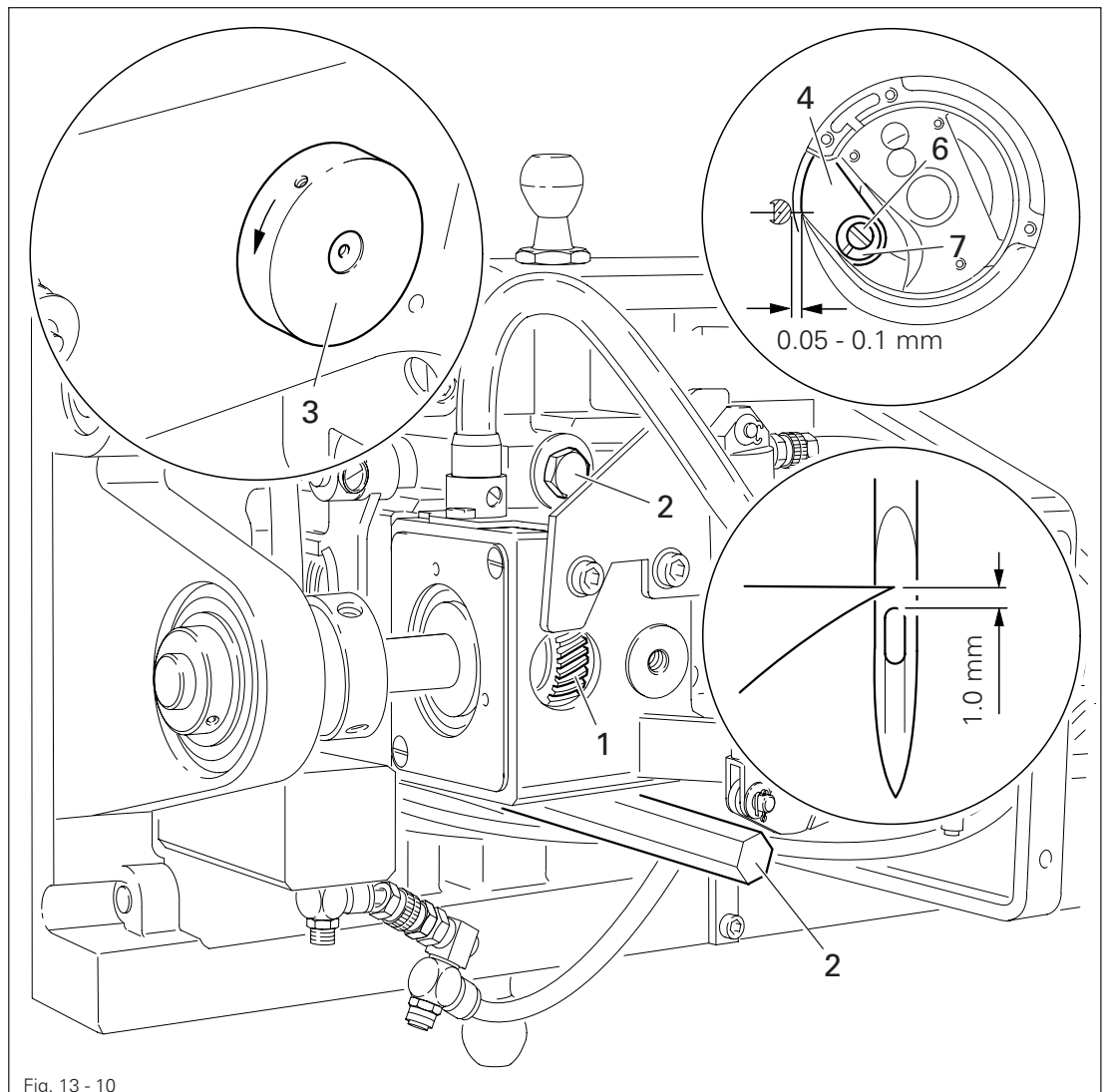
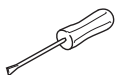


Fig. 13 - 10



- Set the stitch length control to straight stitch position.
- Loosen the fastening screws of the bevel gear 1 and screws 2.
- Move the needle bar to BDC.
- In this position, slide the 2.4 mm thick feeler gauge of the needle bar rise gauge closely under the needle bar bearing.
- Move adjustable clamp (part no. 08-880 137 00) against feeler gauge as far as possible and screw it onto the needle bar.
- Remove the feeler gauge and turn the handwheel 3 in the direction of the arrow until the adjustable clamp is resting on the needle bar.
- Unscrew the hook gib and remove the bobbin case.

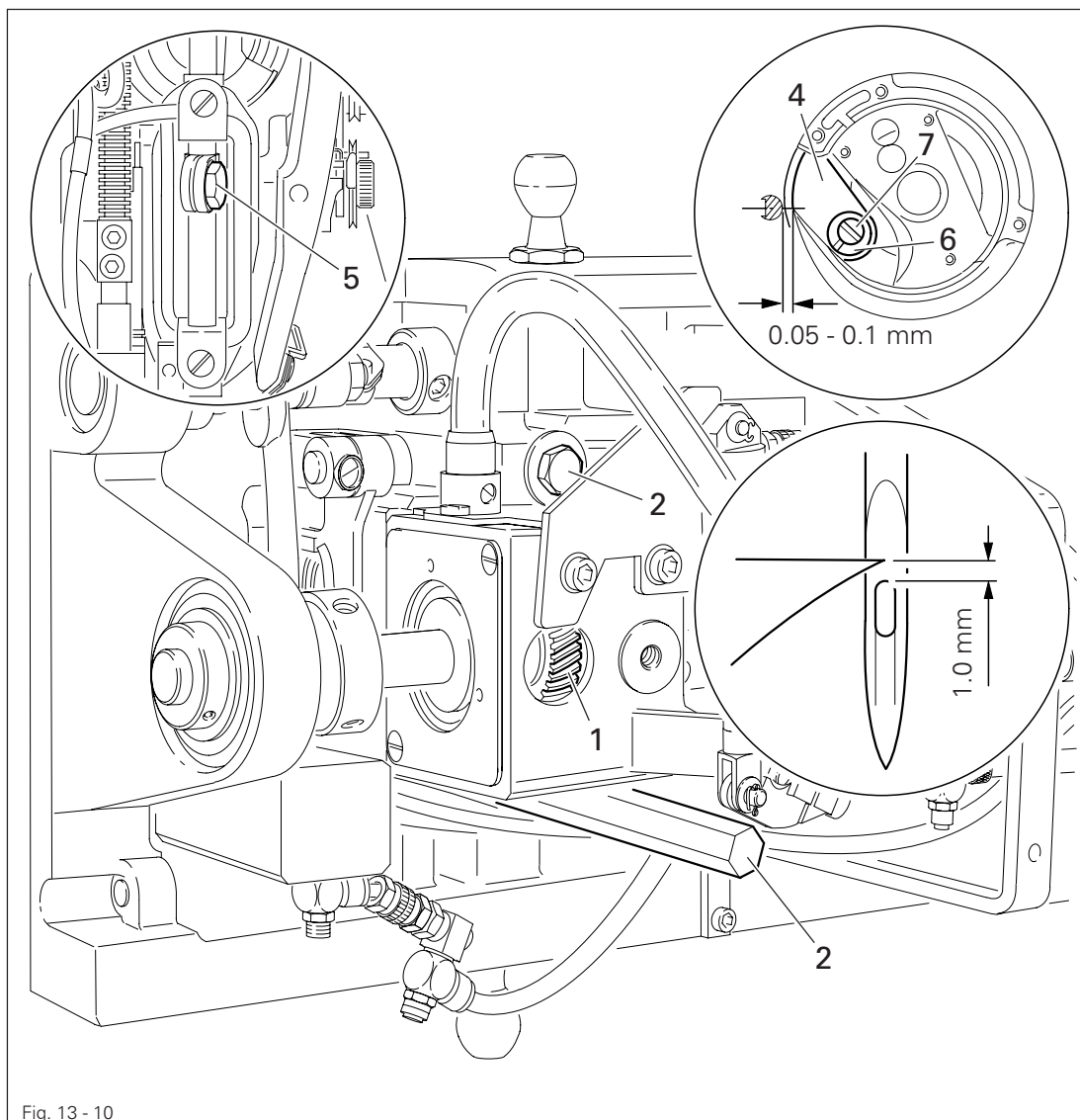
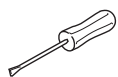


Fig. 13 - 10



- Position the hook point at the center of the needle and move the hook bearing according to **requirement 1**. Make sure that the needle is not pressed against by the needle guard 4.
- Tighten screws 2.
- Taking the backlash of the toothed gear into account, tighten the fastening screws of the bevel gear 1.
- If required, move the needle bar (screw 5) without twisting it according to **requirement 2**.
- Turn eccentric 6 (screw 7) according to **requirement 3**.
- Insert bobbin case and screw on hook gib.

13.05.10 Bobbin case opener stroke

Requirement

1. The front edges of the retaining spring 1 and the retaining trip 7 must be flush with each other.
2. When the bobbin case opener 5 is at its rear point of reversal, the distance between the bobbin case base 6 and the retaining spring 1 must be equal to the **thread thickness**.

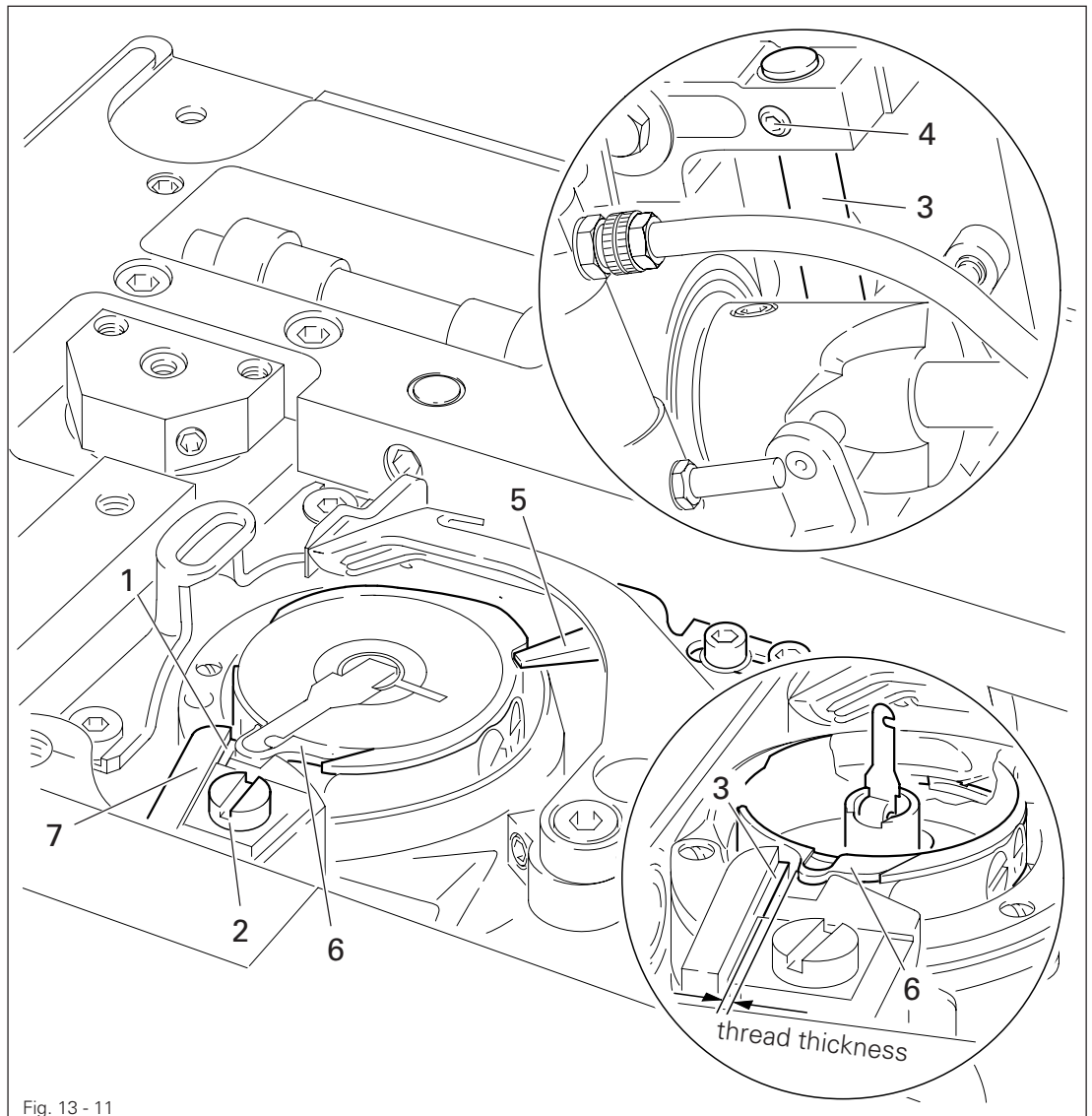
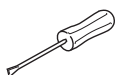


Fig. 13 - 11



- Align the retaining spring 1 (screw 2) according to requirement 2.
- Move shaft 3 (screw 4) according to requirement 1.

Adjustment

13.05.11 Counter presser lifting stroke

Requirement

At needle bar position BDC, the counter presser **3** must be positioned at its top point of reversal.

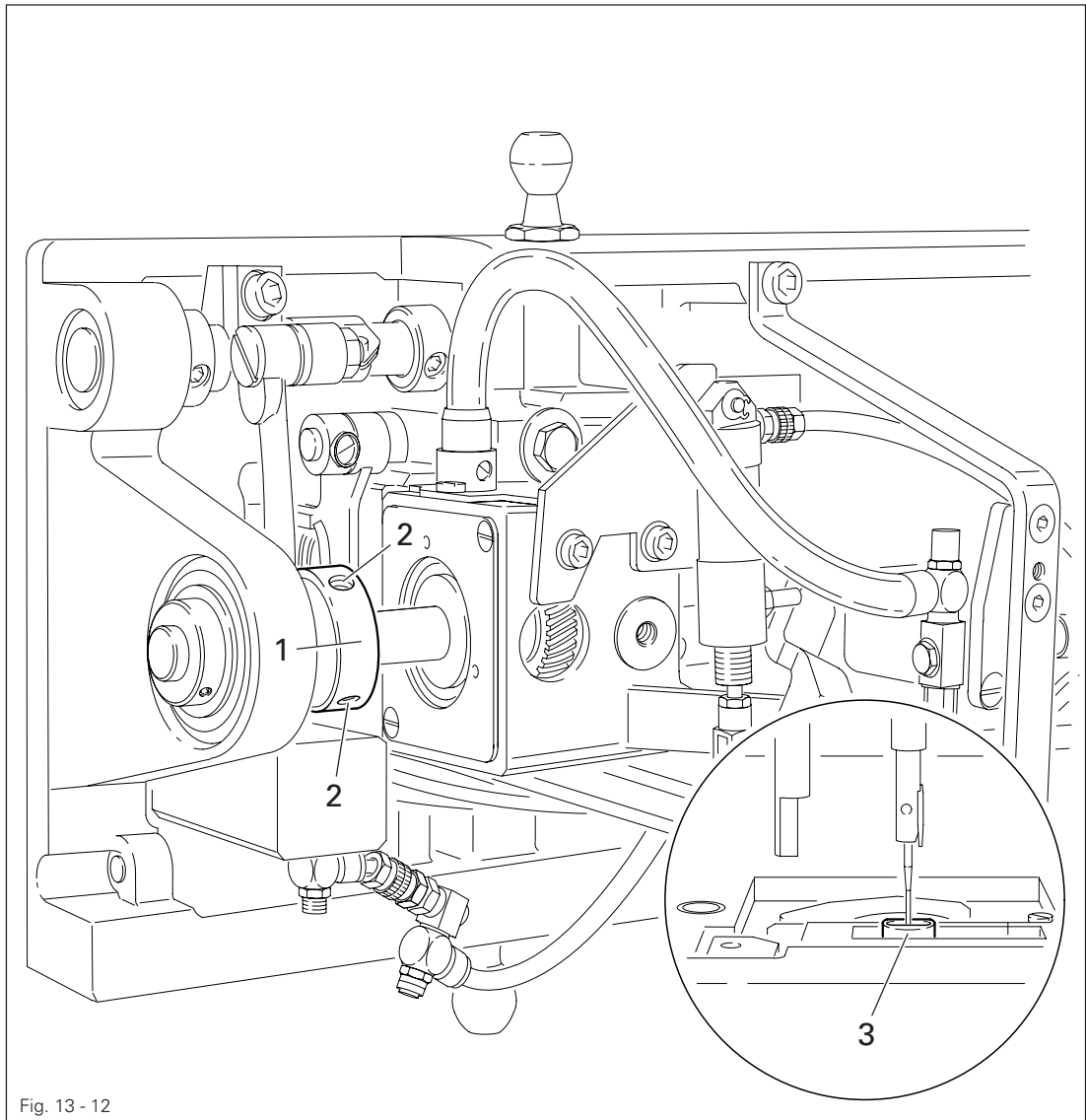
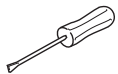


Fig. 13 - 12



- Move needle bar to BDC.
- Turn eccentric **1** (screws **2**) according to the requirement.

13.05.12 Counter presser height

Requirement

When the needle bar is at BDC, the top edge of the counter presser **6** must be **1 mm** over the closed hook compartment cover **3**.

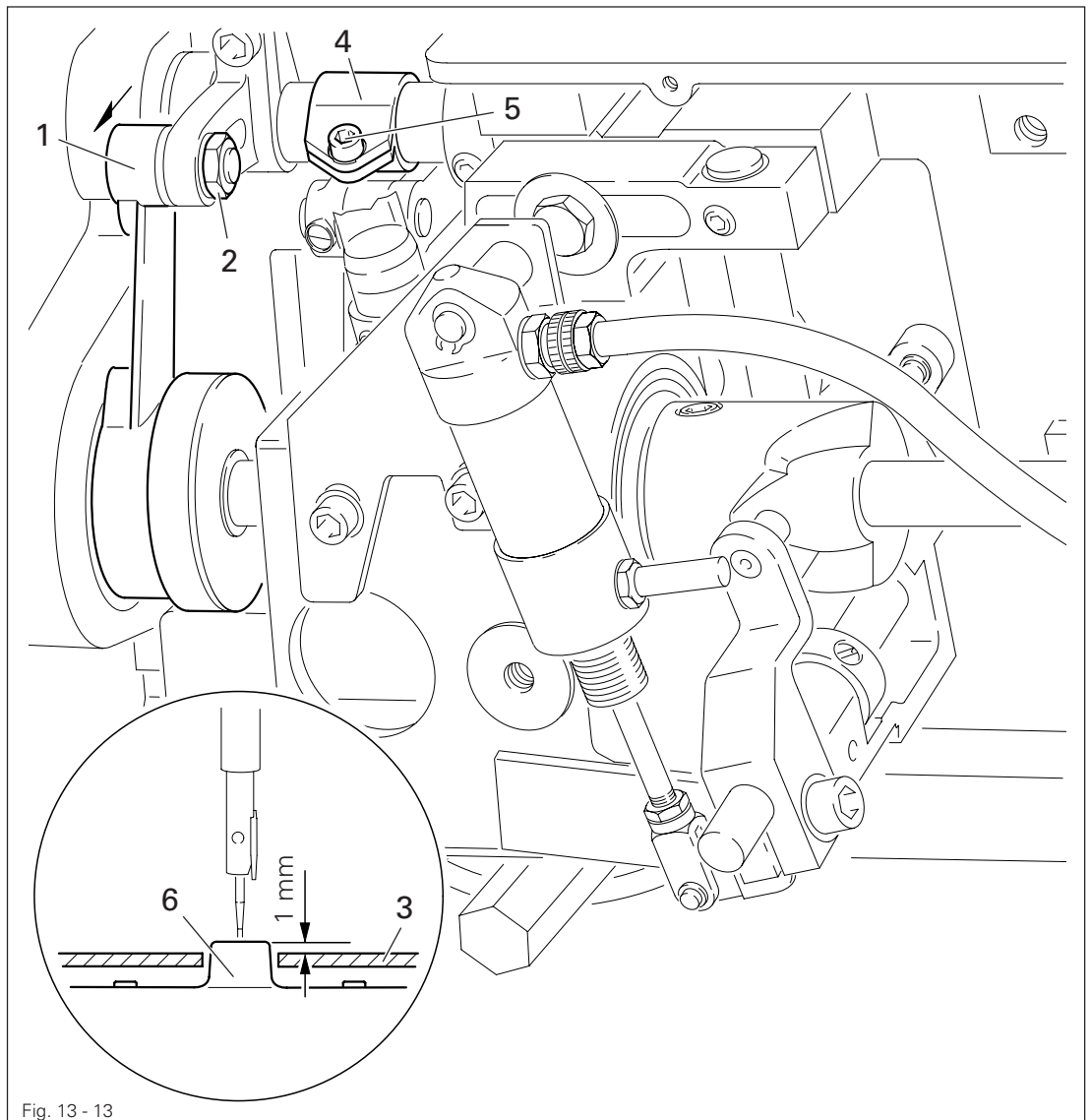
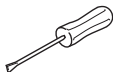


Fig. 13 - 13



- Position lever **1** (nut **2**) at its lower stop (see arrow).
- Fit hook compartment cover **3** and turn bracket **4** (screw **5**) according to the requirement.



If necessary, the presser lift can be increased by moving the lever **1** upwards. After adjusting the lift, the presser height should also be regulated!

Adjustment

13.05.13 Counter presser position

Requirement

In straight stitch position, when the needle penetrates, it must be centered in the needle hole of the counter presser 2.

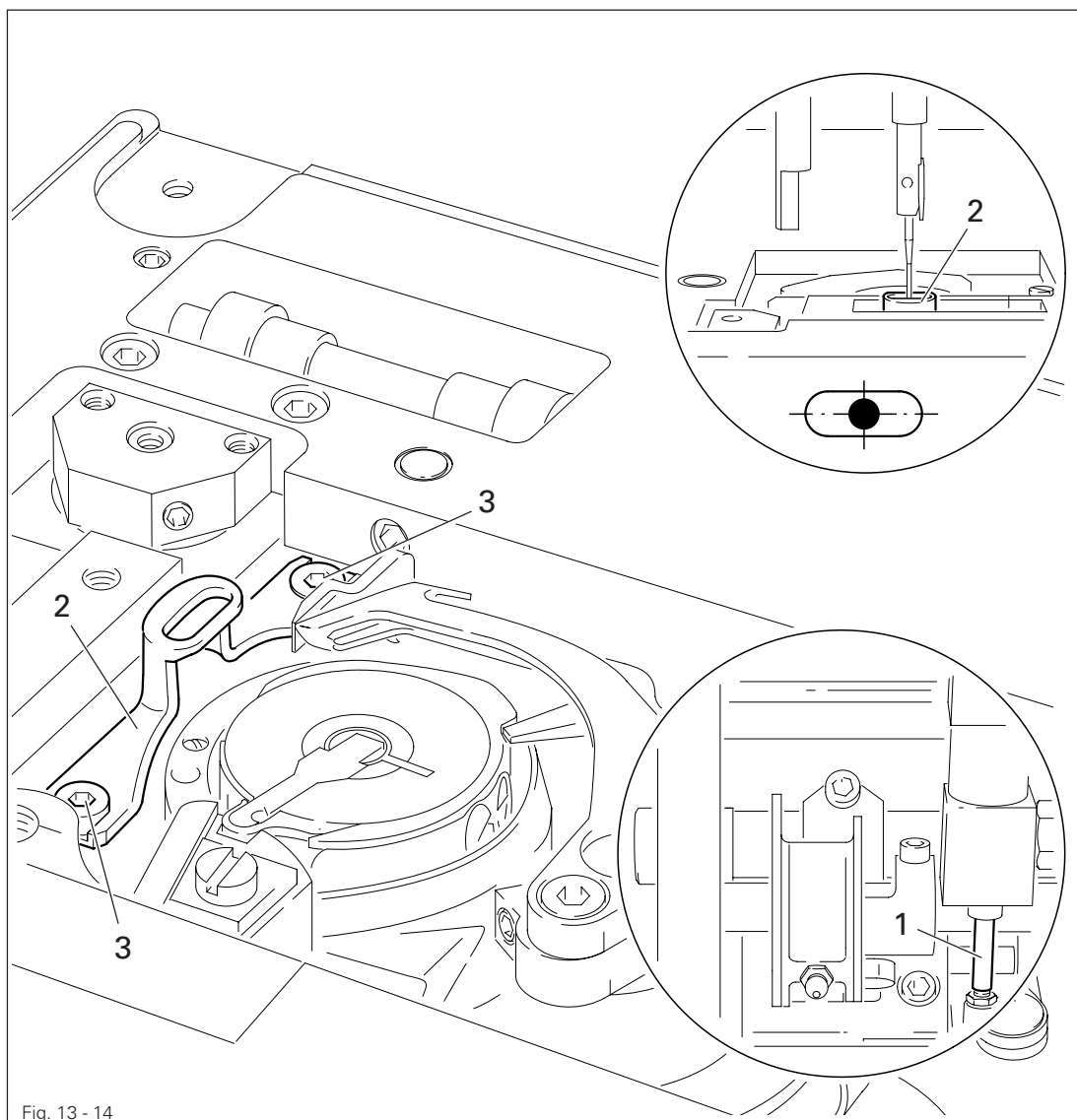
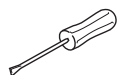


Fig. 13 - 14

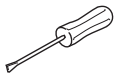
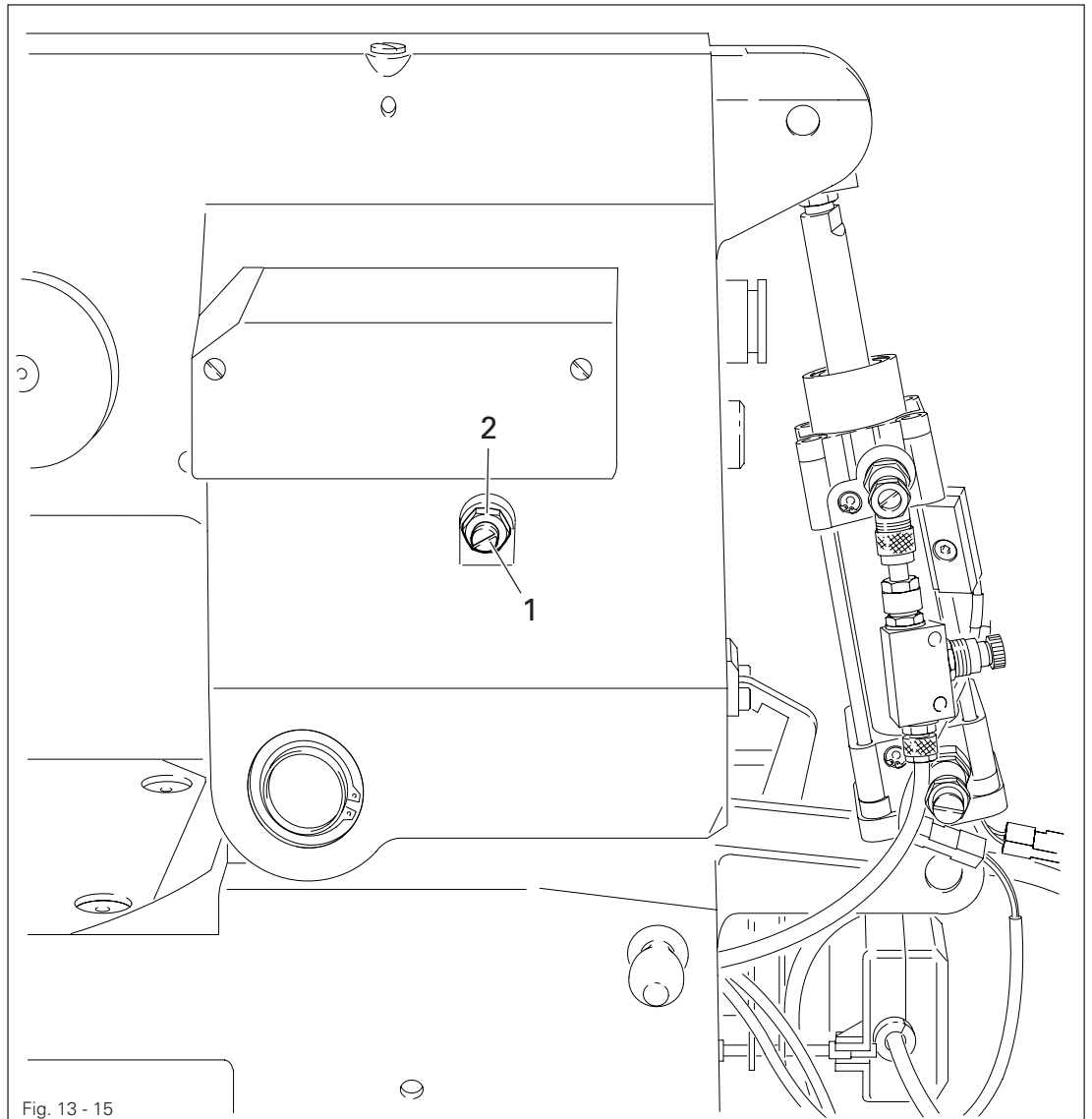


- Pull out plunger 1 until it stops (straight stitch position).
- Adjust the counter presser 2 (screws 3) according to the requirement.

13.05.14 Zigzag stitch width

Requirement

At the maximum zigzag stitch width, the needle must not strike against the edge of the counter presser.



- Turn screw 1 (nut 2) according to the **requirement**.

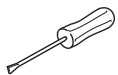
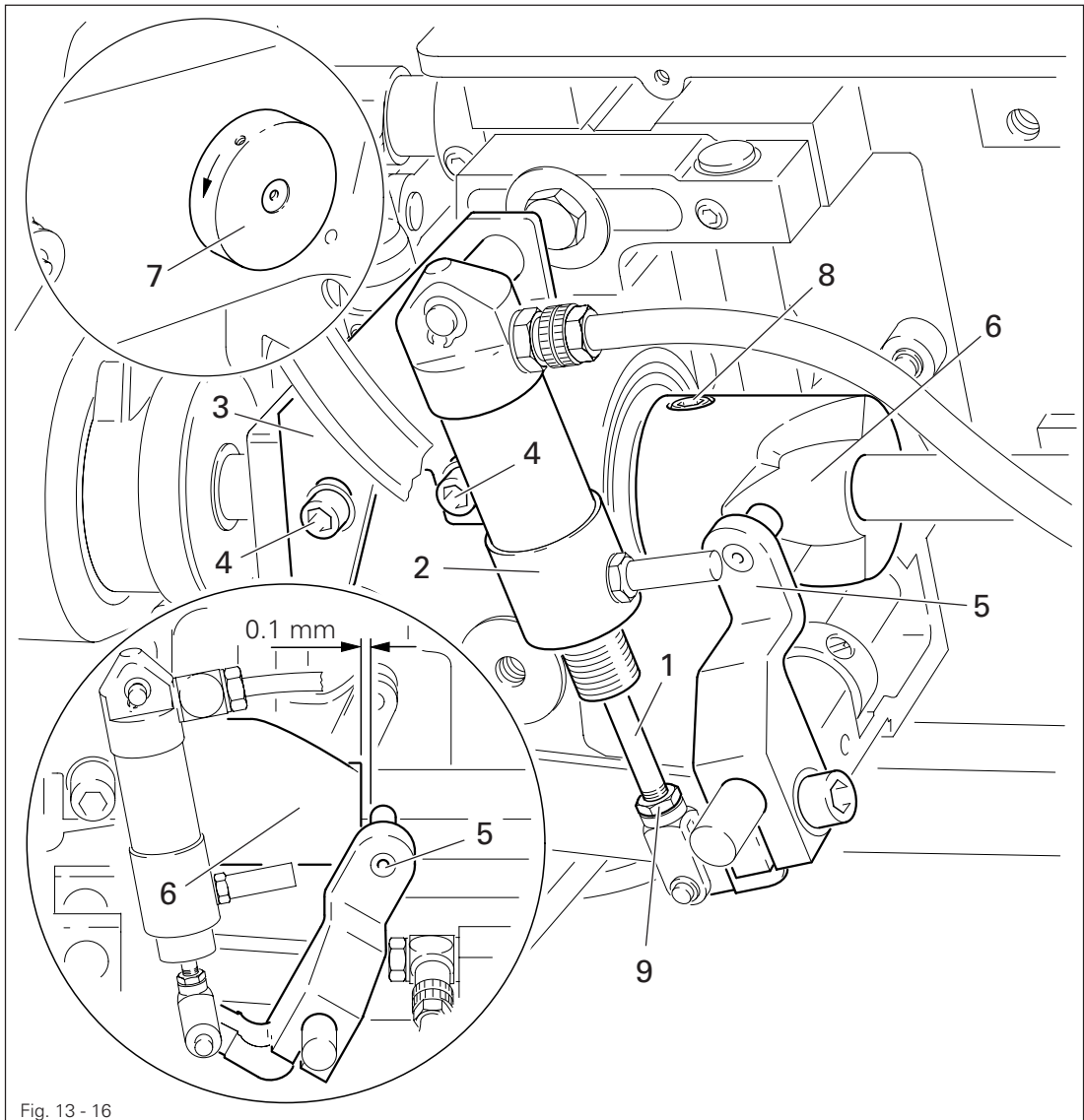


By turning screw 1, the bartack width can be adjusted.

13.05.15 Resting position of the roller lever / radial position of the control cam

Requirement

1. When the plunger 1 is retracted, there must be a distance of **0.1 mm** between the outer edge of the control cam 6 and the roller of the roller lever 5.
2. When the thread trimmer is switched on beforehand, the control cam 6 must have just brought the roller lever 5, in TDC take-up lever, to its resting position.



- Retract the plunger 1 in cylinder 2 until it stops.
- Move the cylinder carrier 3 (screws 4) according to **requirement 1**.
- Bring the take-up lever to BDC and push the roller lever 5 into the control cam 6 by hand.
- By turning the handwheel 7 in the direction of the arrow, bring the take-up lever to TDC and check **requirement 2**.
- If required, turn the control cam 6 (screws 8) according to **requirement 2**.



On plunger 1, the thread should be approx. **1 mm** above the lock nut 9.

13.05.16 Thread catcher height

Requirement

The lower edge of the thread catcher 3 must be positioned at a distance of 0.8 mm above the bobbin case 4.

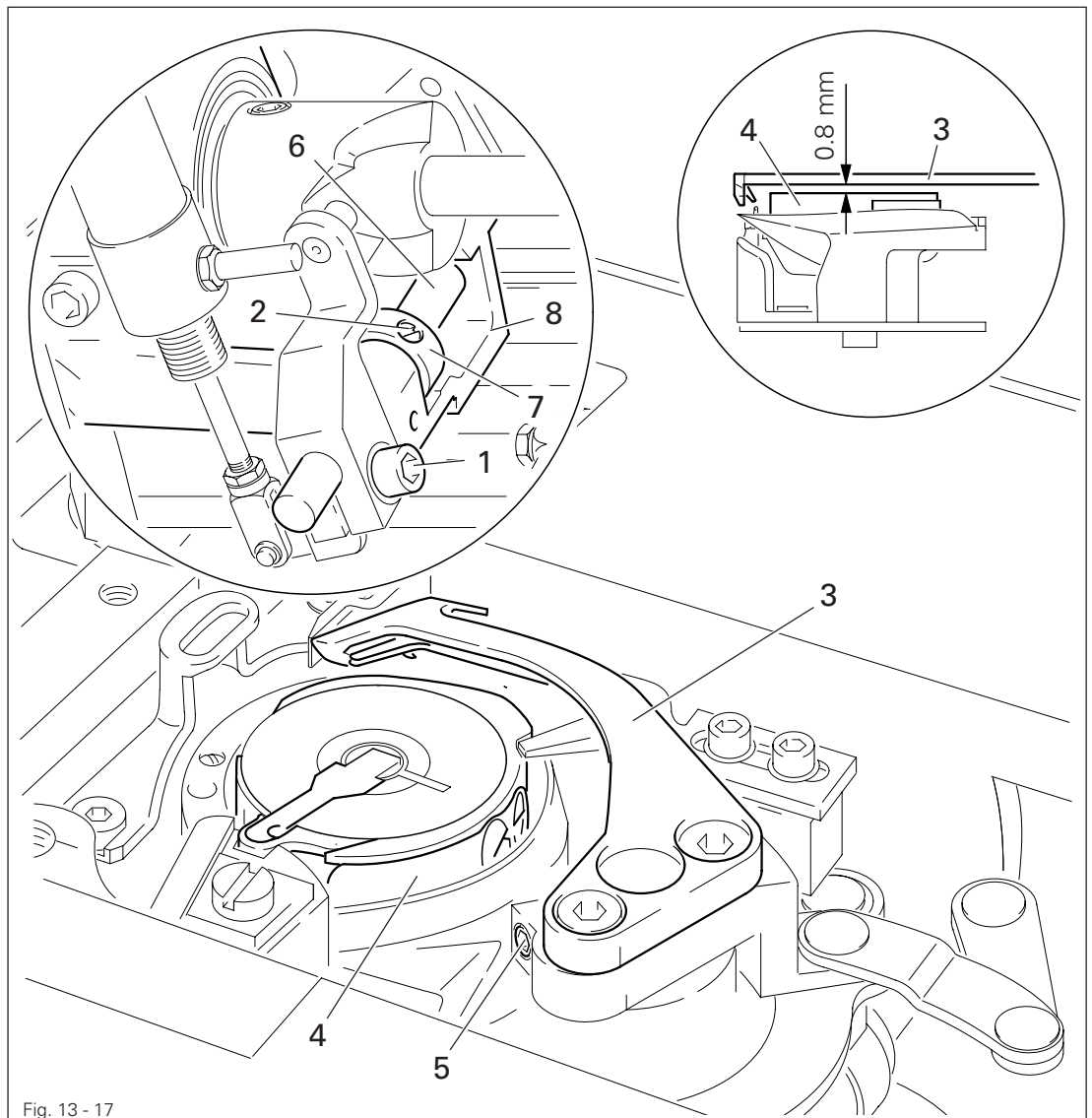
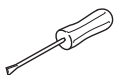


Fig. 13 - 17



- Loosen screws 1 and 2.
- Position the thread catcher 3 above the bobbin case 4.
- Move the thread catcher 3 (screw 5) according to the requirement.
- Determine the vertical play of shaft 6, move retaining collar 7 against bearing housing 8 and tighten screw 2.



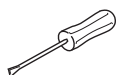
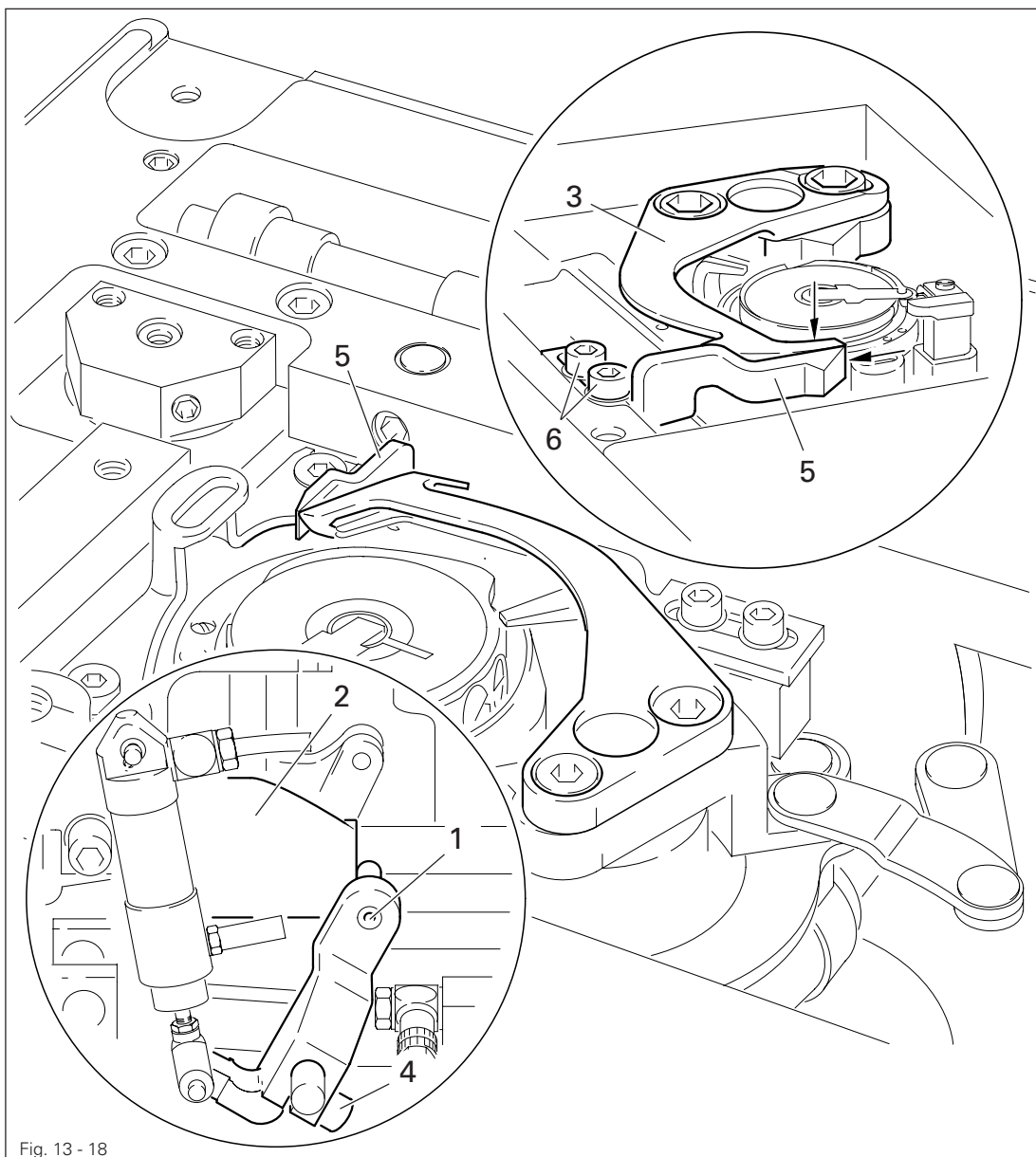
Screw 1 remains slightly unscrewed for further adjustments.

13.05.17 Thread catcher position and knife height

Requirement

When the thread trimmer is in resting position,

1. the front edges of the thread catcher **3** and the knife **5** must be flush with each other.
2. the upper edges of the thread catcher **3** and the knife **5** must be even.



- Bring the needle bar to BDC.
- Move roller lever **1** against control cam **2** by hand.
- Turn the thread catcher **3** according to **requirement 1**.
- Tighten screw **4**.
- Check the knife height according to **requirement 2**.



To adjust the height, disassemble knife **5** (screws **6**) and insert shim (part no. 91-141 402-05) according to the **requirement**.
To align the knife see chapter 13.05.18 Knife pressure.

13.05.18 Knife pressure

Requirement

When the point of the thread catcher 4 is 6 mm in front of the front edge of the knife 4, the cutting edge of the knife must lightly press against the thread catcher 4.

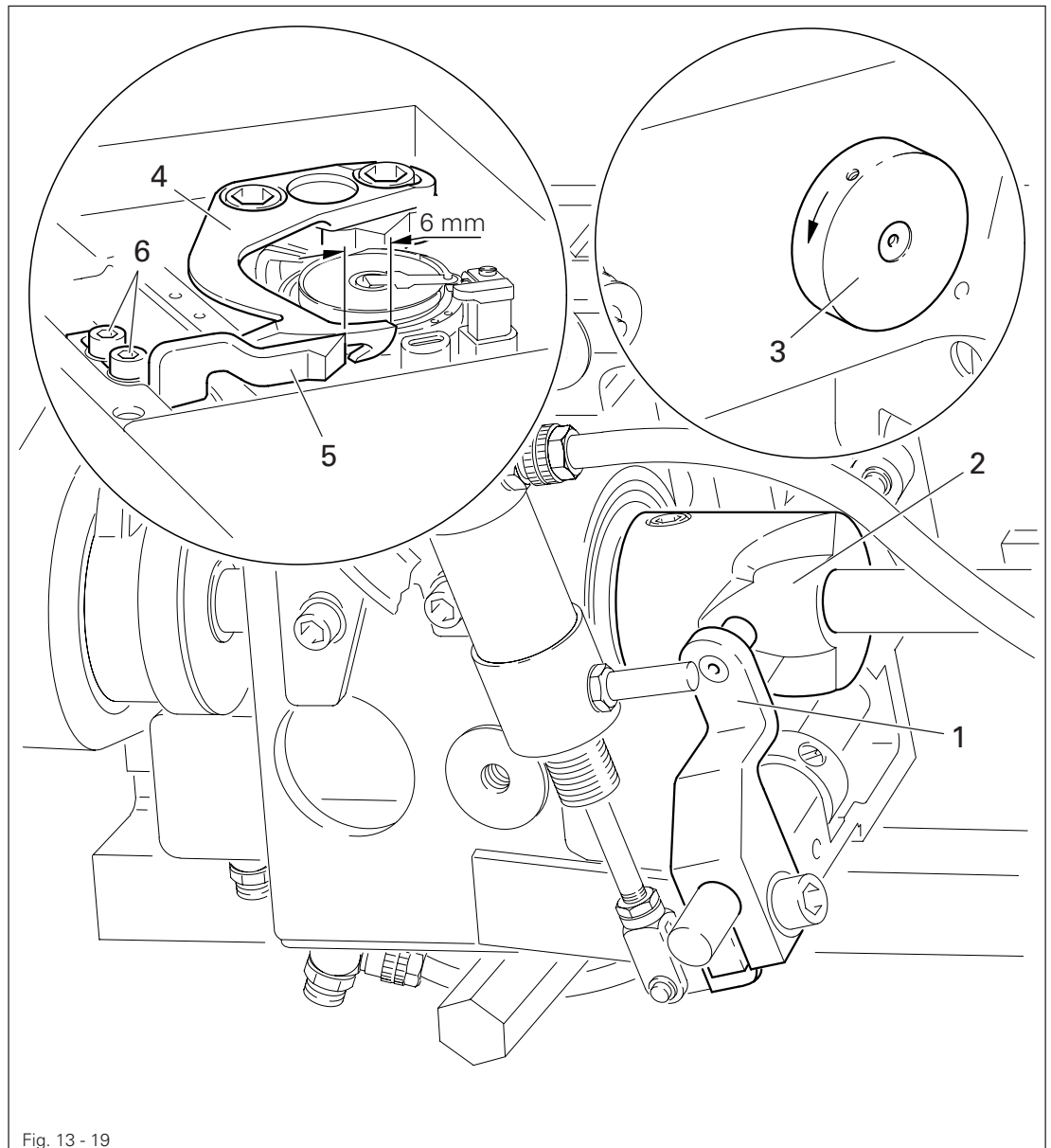
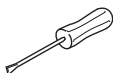


Fig. 13 - 19



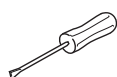
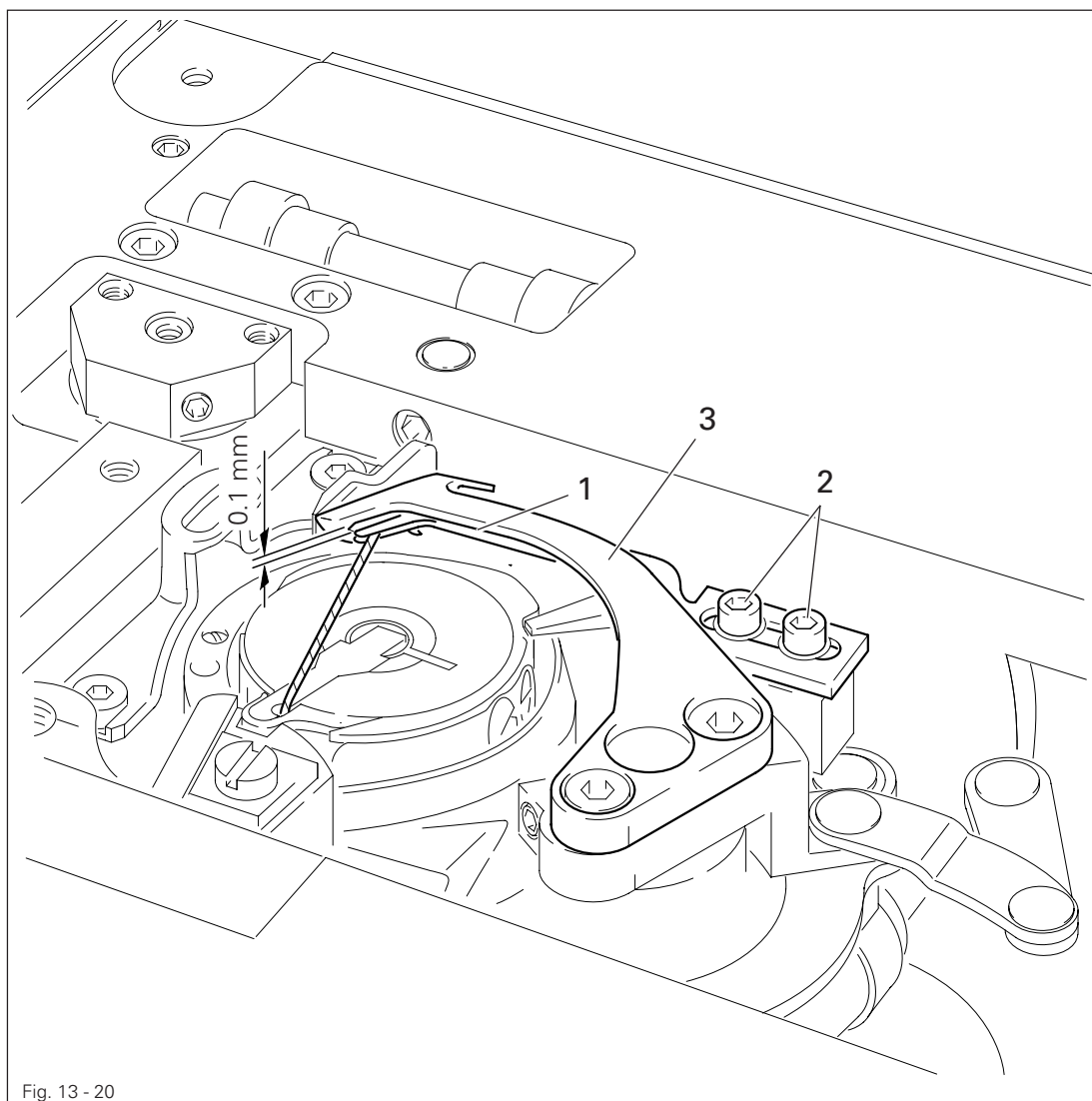
- Bring the take-up lever to BDC.
- Press the roller lever 1 into the control cam 2.
- Turn the handwheel 3 in the direction of the arrow until the thread catcher 4 is approx. 4 mm in front of the knife 4.
- Move the knife 5 (screws 6) according to the requirement.
- Check requirement 1 from chapter 13.05.17 Thread catcher position and knife height.

13.05.19 Bobbin thread clamp spring

Requirement

The clamp spring 1 must

1. not be pressed down during the movement of the thread catcher.
2. clamp the bobbin thread reliably after it is cut
3. not obstruct insertion and removal of the bobbin case.



- Bring the thread trimmer to resting position.
- Move the clamp spring 1 (screws 2) so that the clamp lips are as close as possible to the inside wall and to the front edge of the thread catcher 3.
- Adjust the height by bending the clamp spring 1 so that between the upper side of clamp spring 1 and the lower side of the thread catcher 3 there is a distance of approx. 0.1 mm.

13.05.20 Manual cutting test

Requirement

1. When it is moving forward, the thread catcher 1 must not push along the bobbin thread 3 in front of it.
2. At the front point of reversal of the thread catcher 1, the bobbin thread 3 must lie approx. 2 mm behind the lug of the thread catcher 1.
3. At the end of the cutting operation, the needle and bobbin threads must be cut perfectly. The bobbin thread 3 must be clamped.

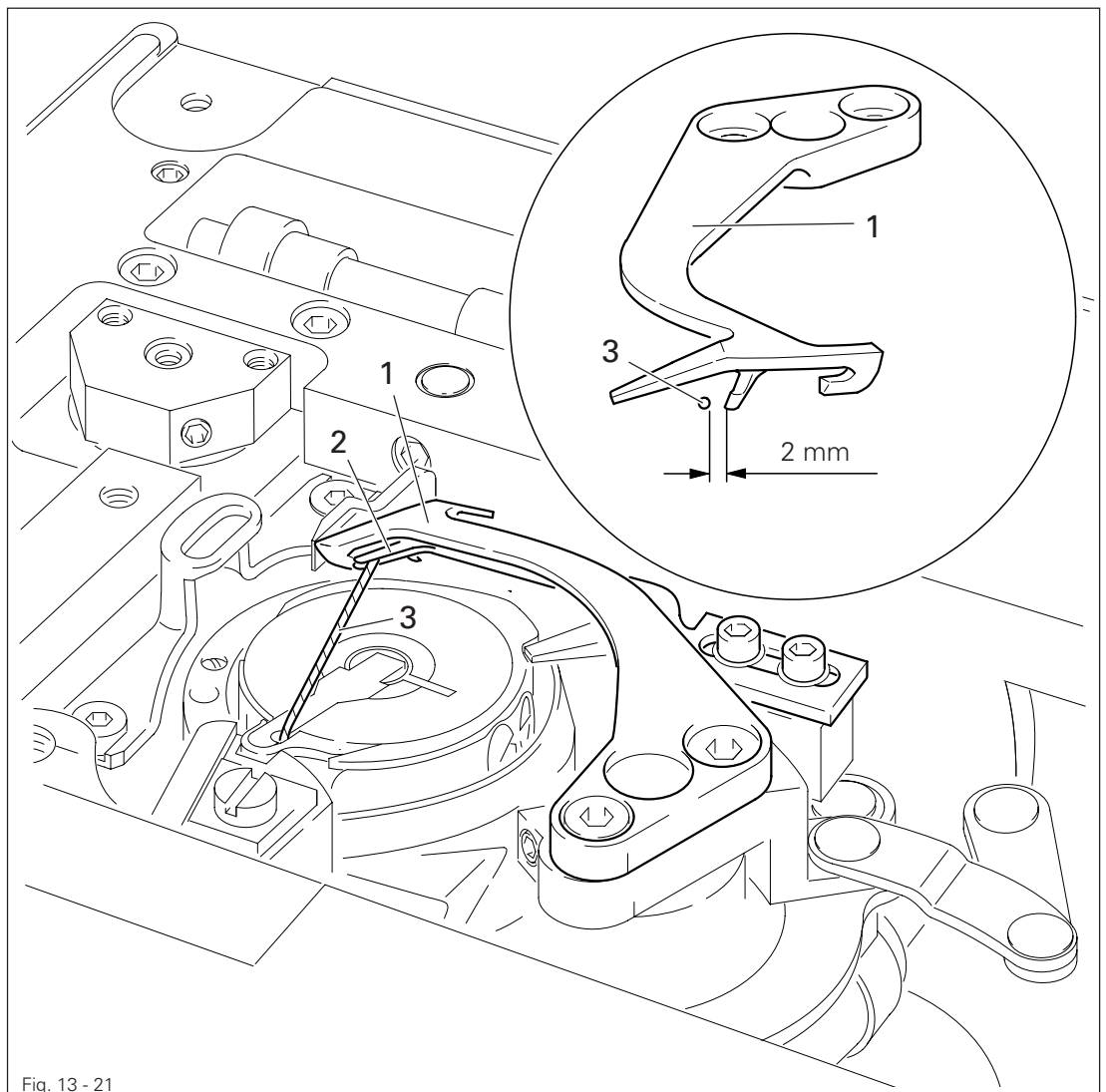
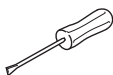


Fig. 13 - 21

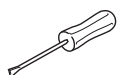
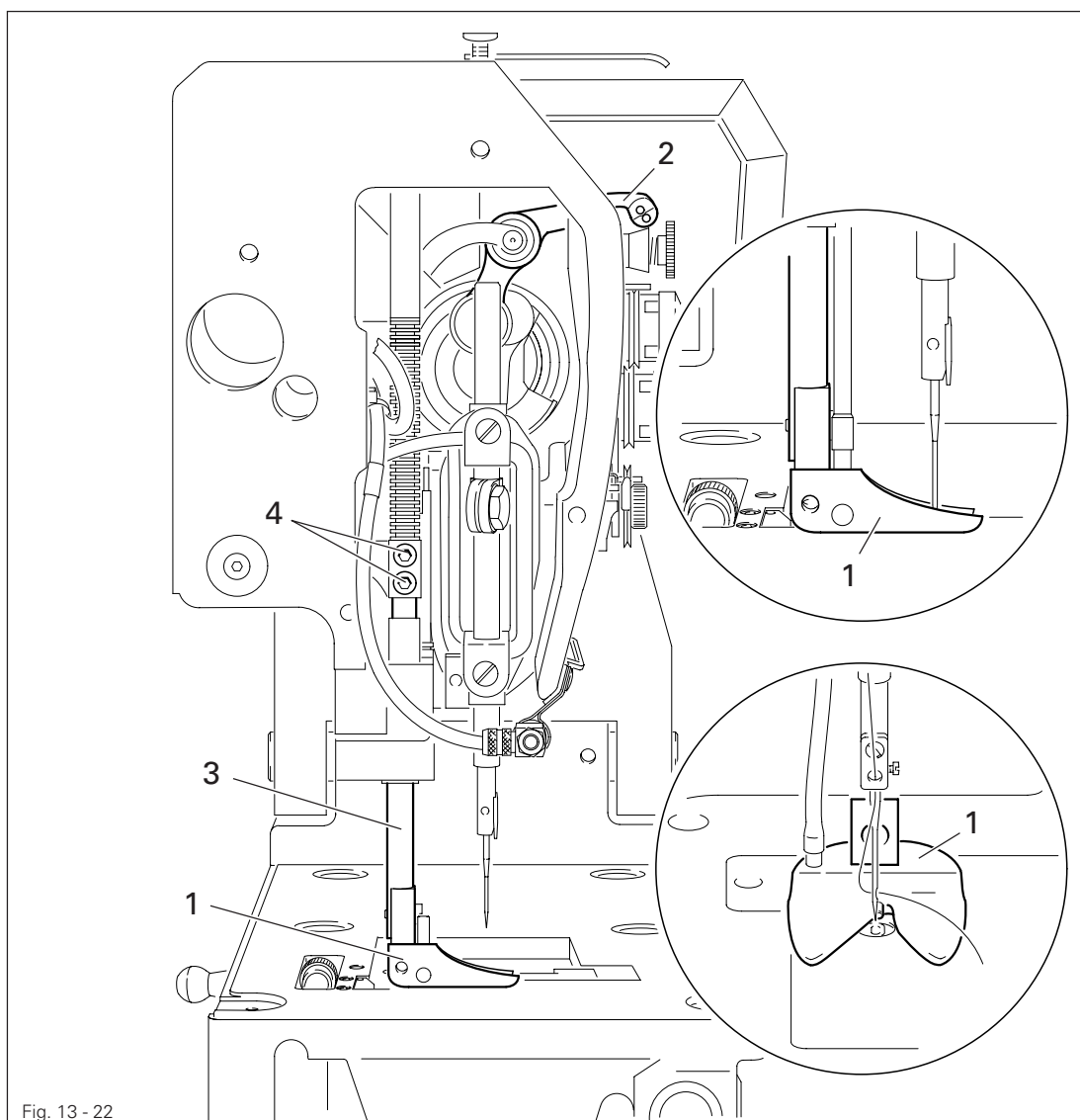


- Carry out the cutting operation manually.
- Check **requirement 1**. If necessary, readjust the thread catcher 1 according to **chapter 13.05.16 Thread catcher height**.
- Check **requirement 2**. If necessary, readjust the thread catcher 1 according to **chapter 13.05.17 Thread catcher position and knife height**.
- Check **requirement 3**. If necessary, readjust the bobbin thread clamp spring 2 according to **chapter 13.05.19 Bobbin thread clamp spring**.

13.05.21 Presser height

Requirement

1. When the take-up lever is at TDC, the needle point must not extend under the presser 1 when the presser 1 is raised.
2. The presser 1 must be aligned laterally so that the sewing thread is blown out from under the presser 1 when the sewing jig is moved into position.



- Screw on presser 1.
- Bring the take-up lever 2 to TDC.
- Move the presser bar 3 (screws 4) according to **requirement 1** and/or turn according to **requirement 2**.

13.05.22 Bobbin winder

Requirement

1. When the bobbin winder is switched on, the bobbin winder spindle must move securely with the winder.
2. When the bobbin winder is switched off, friction wheel 5 must not be driven by drive wheel 1.
3. The bobbin winder must switch off automatically when the bobbin has been filled approx. 1 mm from the edge.

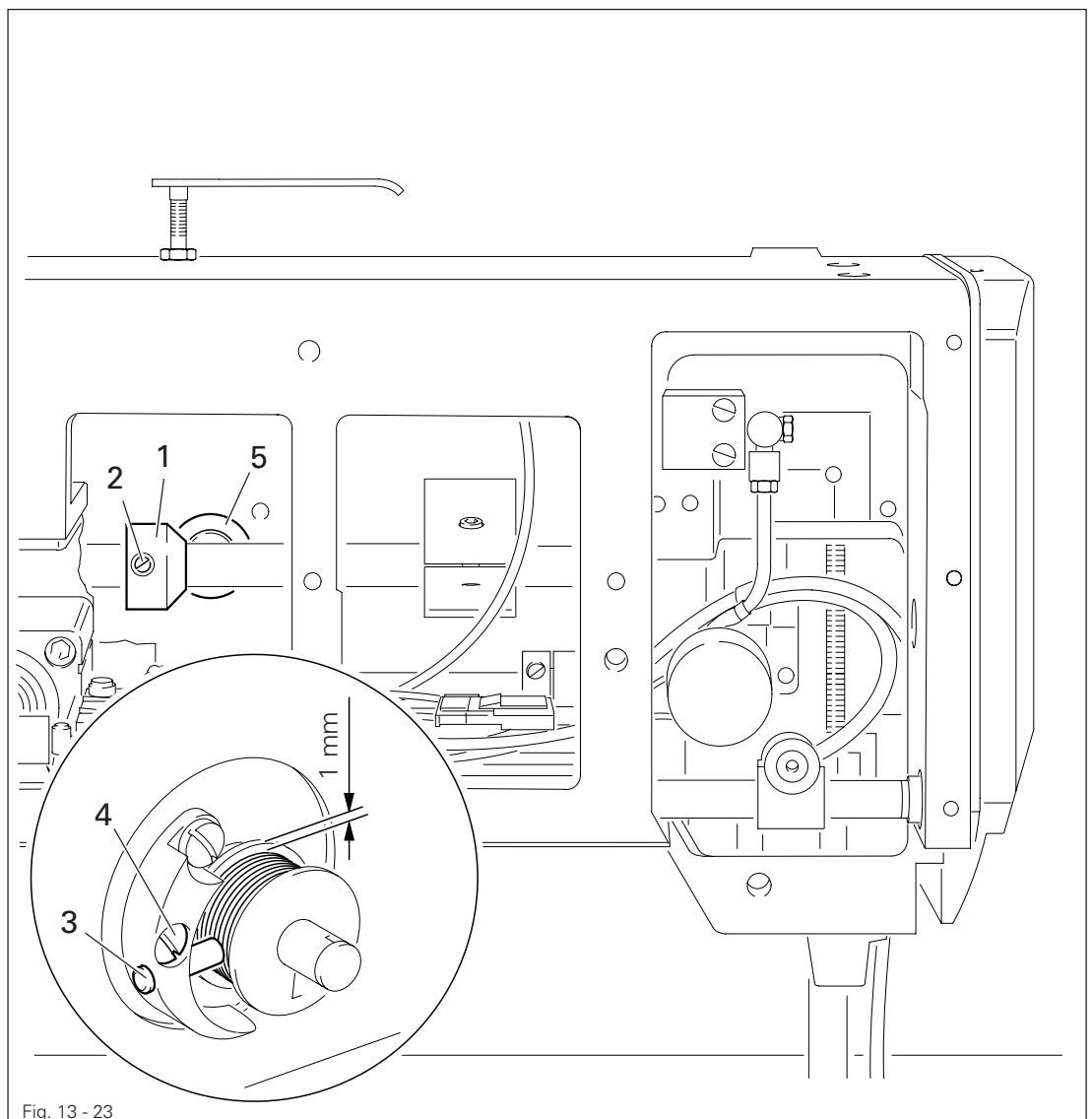
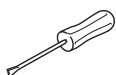


Fig. 13 - 23



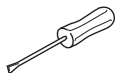
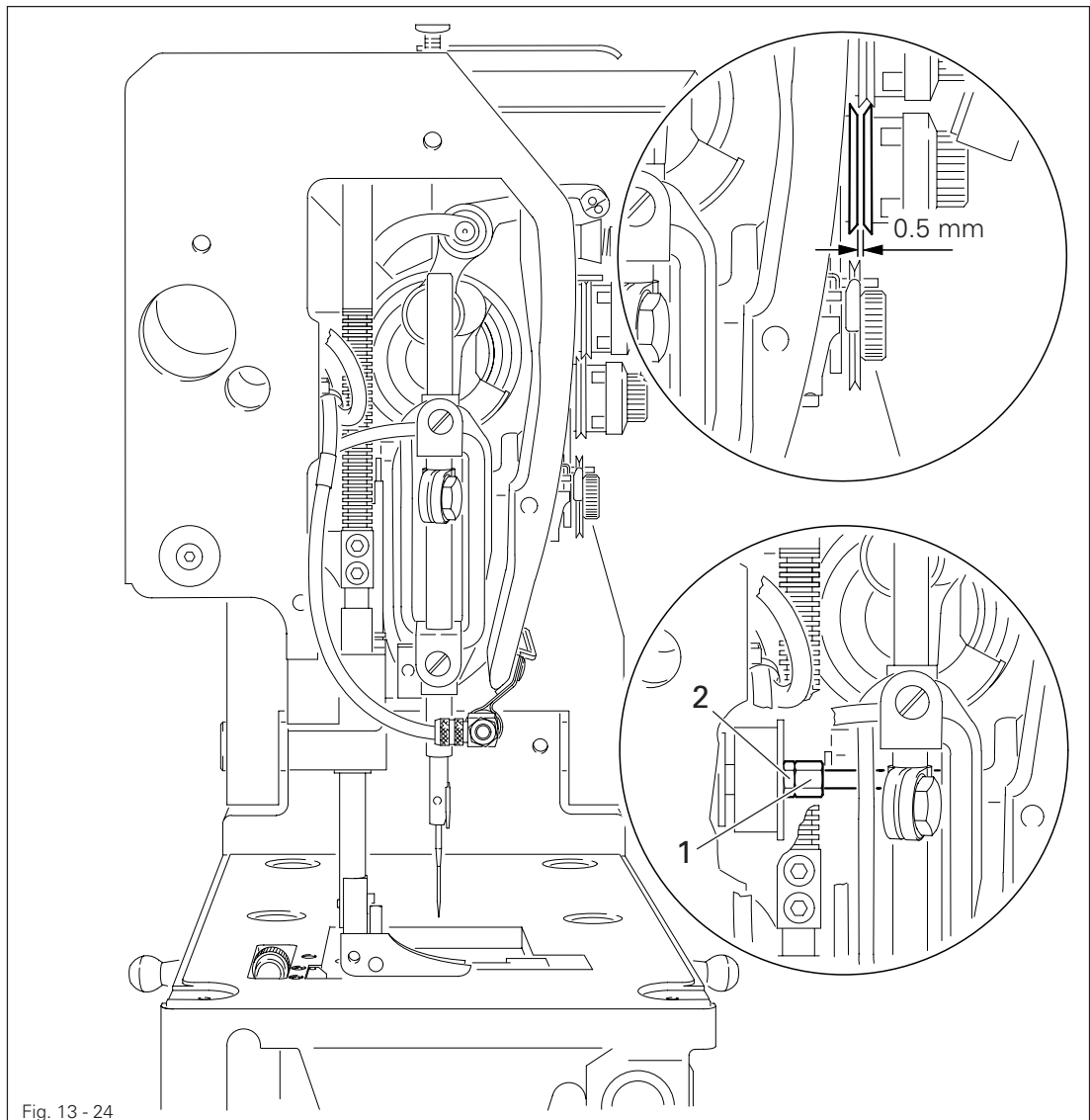
- Move drive wheel 1 (screws 2) according to **requirements 1 and 2**.
- Move pin 3 (screw 4) according to **requirement 3**.

Adjustment

13.05.23 Needle thread tension release

Requirement

For the tension release, the distance between the tension disks must be **0.5 mm**.



- Turn screw 1 (nut 2) according to the requirement.

13.05.24 Thread check spring and slack thread regulator

Requirement

1. The stroke of thread check spring 7 must be completed when the needle point penetrates the material (travel of the spring approx. 7 mm).
2. When the thread loop is at its largest when going round the hook, the thread check spring 7 must be lifted slightly above support 1.

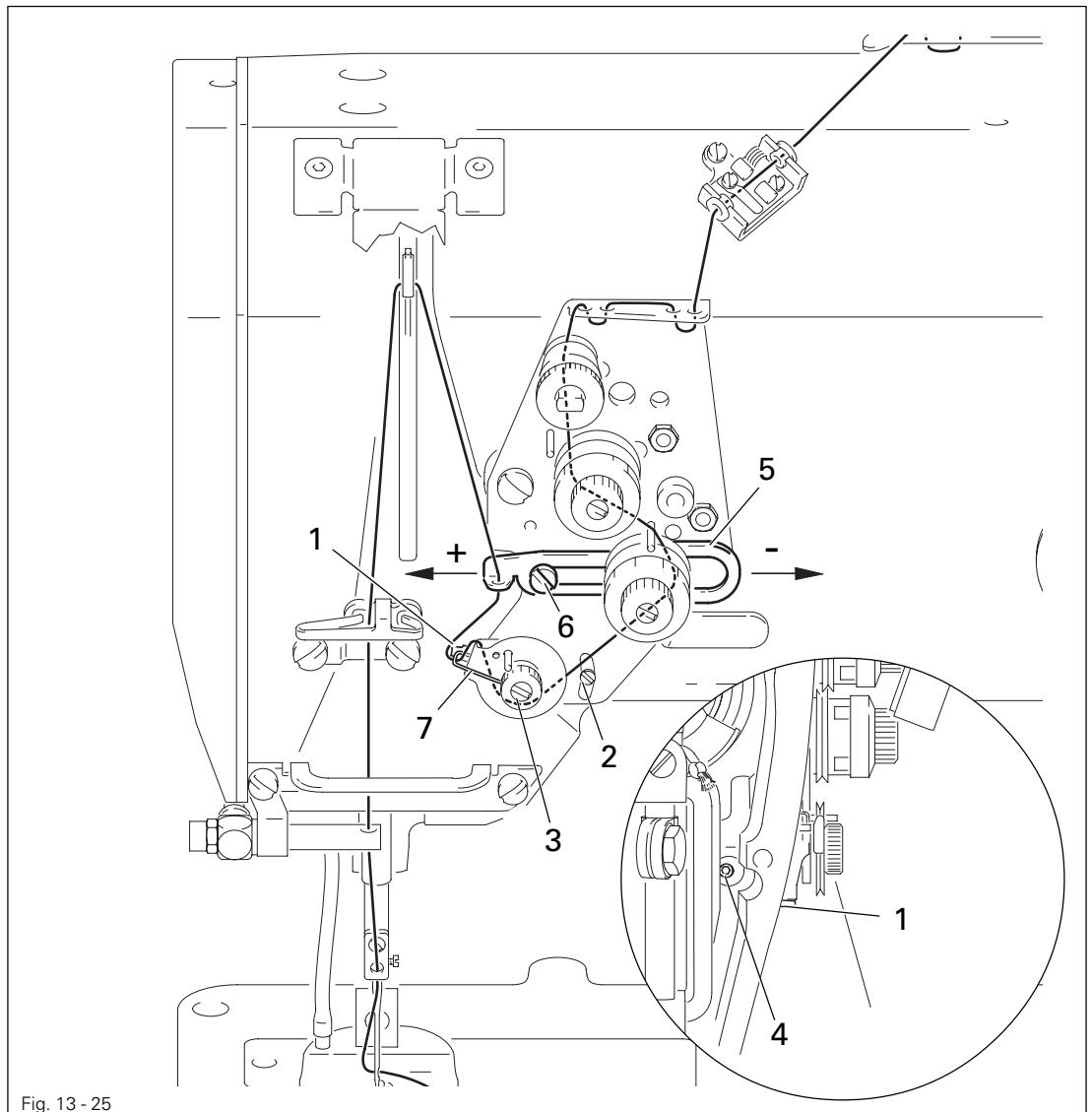
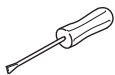


Fig. 13 - 25



- Position rest 1 (screw 2) according to **Requirement 1**.
- To adjust the spring tension, turn screw 3 (screw 4).
- Position thread regulator 5 (screw 6) according to **Requirement 2**.



For technical reasons, it may be necessary to deviate from the travel of the spring and/or the spring tension indicated here.

13.05.25 Sewing head lifting cylinder

Requirement

The up and down movement of the sewing head must be uniform.

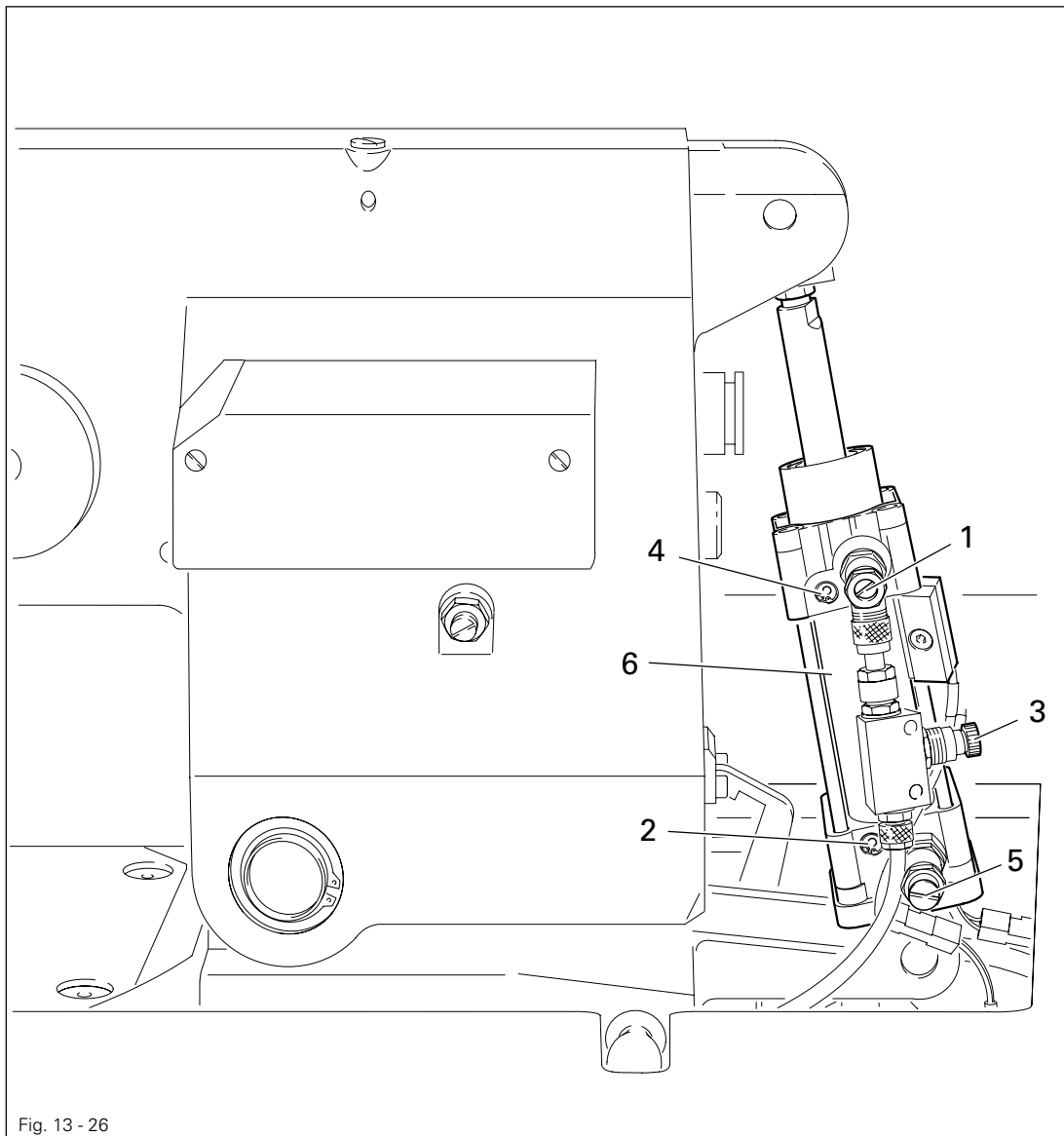
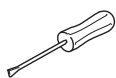


Fig. 13 - 26



- Insert the sewing head and connect. (See **chapter 13.04 Removing/inserting sewing head**).
- Adjust the speed (screw 1) and shock absorbing action (screw 2) of the upwards movement of the sewing head, and the speed (screw 3) and shock absorbing action (screw 4) of the downwards movement of the sewing head according to the **requirement**.



The pressure for the downward movement can be regulated with screw 5 (standard setting 4.5 bar).

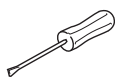
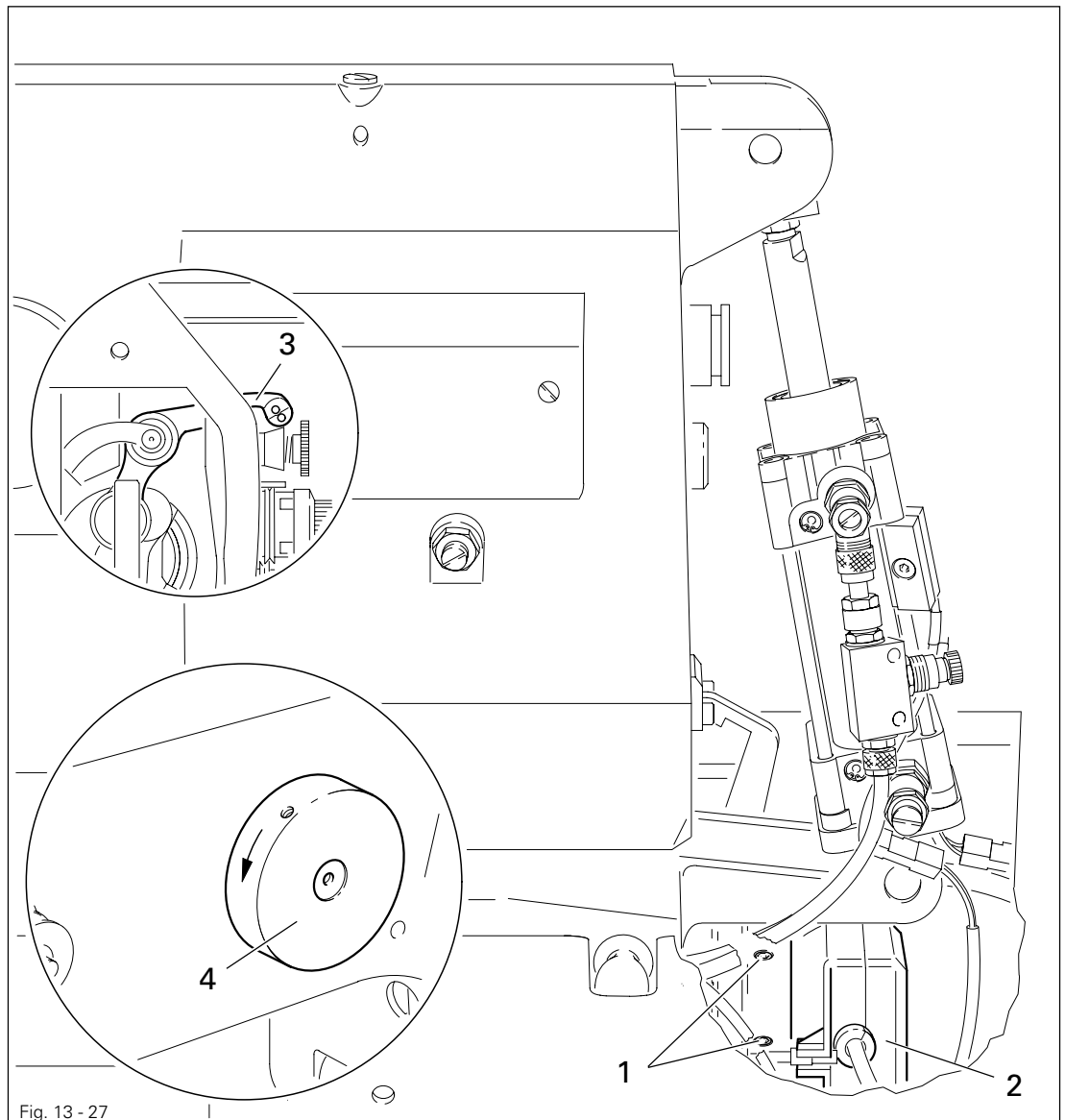


When adjusting the shock absorbing action, make sure that the cylinder 6 moves as far as it can go especially for the downward movement of the sewing head!

13.05.26 Synchronizer

Requirement

After the sewing operation has been completed, the machine is to position at TDC of the take-up lever.



- Allow sewing machine to carry out positioning (switch on/off).
- Loosen screws 1.
- Hold synchronizer 2 firmly and bring take-up lever 3 to TDC by turning the handwheel 4.
- Tighten screws 1.



After positioning is completed and the presser foot is raised, the needle must not extend underneath the presser foot.

Adjustment

13.05.27 Hook lubrication

Requirement

When the machine is running, after approx. **10 seconds** a fine line of oil must form on a paper strip **4** held next to the hook.

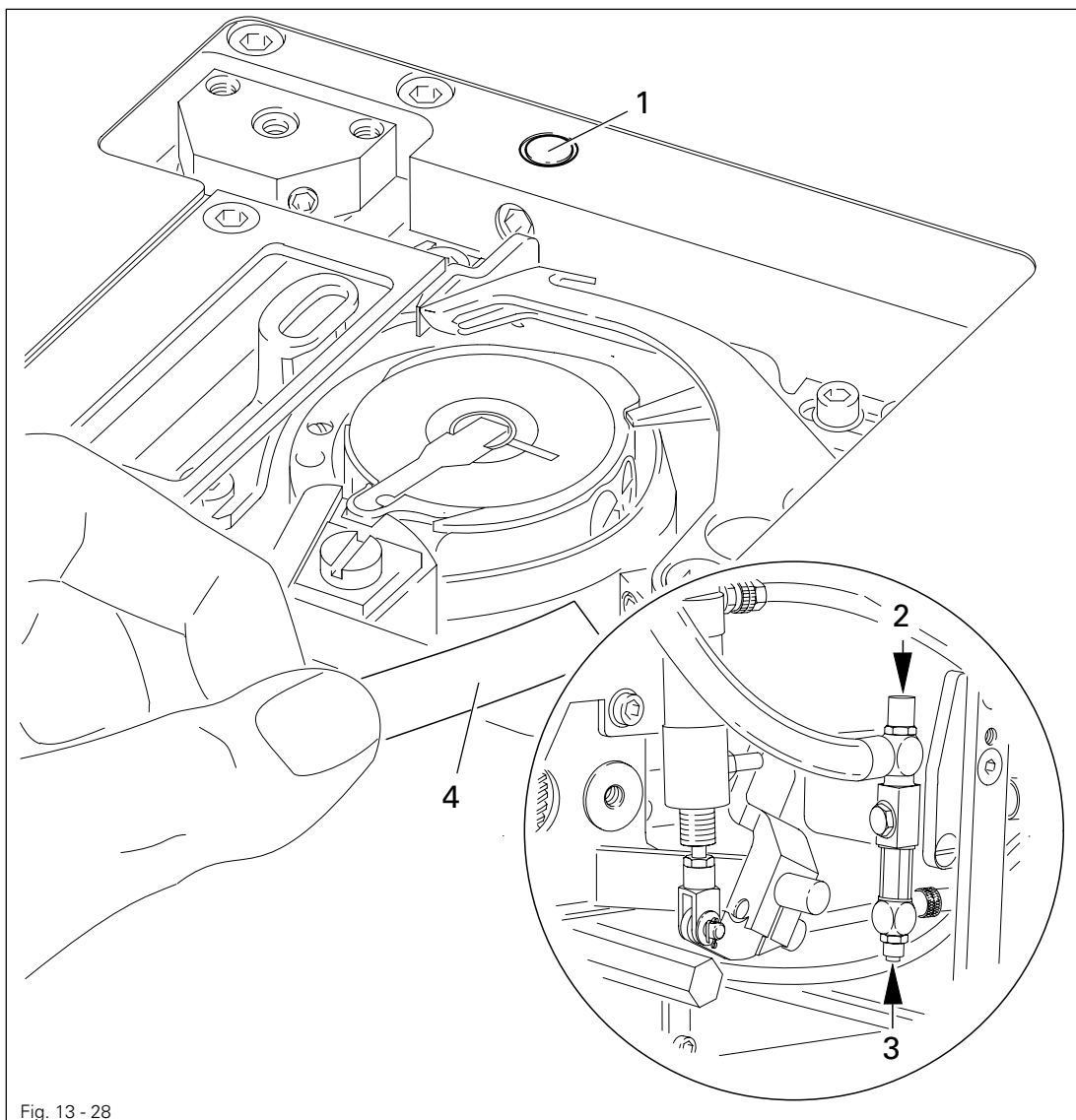
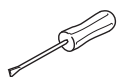


Fig. 13 - 28



- Cover sensor **1** with metal ruler.
- Turn on machine.



- Select **INPUT** mode.



- Select **Input menu** function (number key 0).



- Select **SERVICE** function.



- Select **SEWING DRIVE FUNCTIONS** function.

1

- Select TURN SEWING MOTOR function.
- Set the speed to 4000 min^{-1} using the **number keys**.



When the sewing motor is running, do not reach into the needle area!
Danger of injury by the moving parts!

Enter

- Confirm input with the **Enter key**.



- Select the **start** function.
- Allow the sewing motor to run for **2-3 min**.
- While the motor is running, hold a paper strip **4** next to the hook and check the **requirement**.
- If necessary, adjust the oil supply with screw **2**.
- Switch the machine off and screw on the hook compartment cover.



The wick used for lubricating the front parts must always be impregnated with oil. However, oil must not drip onto the bedplate!

- If necessary, adjust the amount of oil with screw **3**.

Adjustment

13.06 Adjusting the folding, feed and stacker devices

13.06.01 Aligning the sewing jig

Requirement

The lowered sewing jig must lie evenly and lightly on the table top at both the folding and the sewing stations, and hold the workpiece securely.

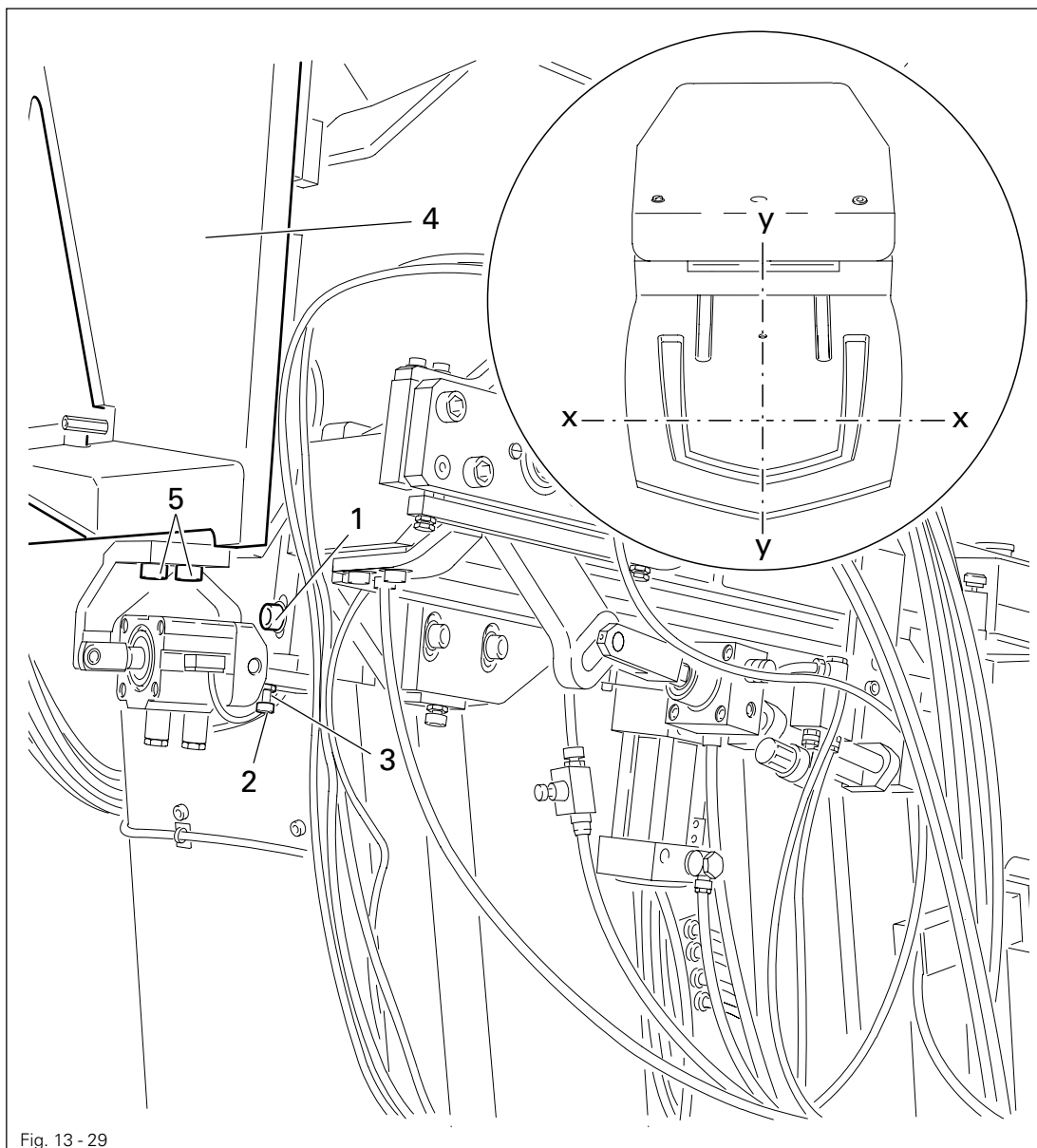
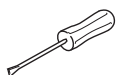


Fig. 13 - 29



- Loosen screws 1 on both sides of the machine.
- Align the sewing jig by turning screws 2 (nuts 3) on both sides of the machine so that it is parallel to the table top in the x-direction.
- Tighten screws 1.
- Align the sewing jig by moving the carrier 4 (screws 5 on both sides of the machine) so that it is parallel to the table top in the y-direction.

13.06.02 Height of the pocket plate guide

Requirement

The lowered pocket plate must be parallel to the top edge of the table.

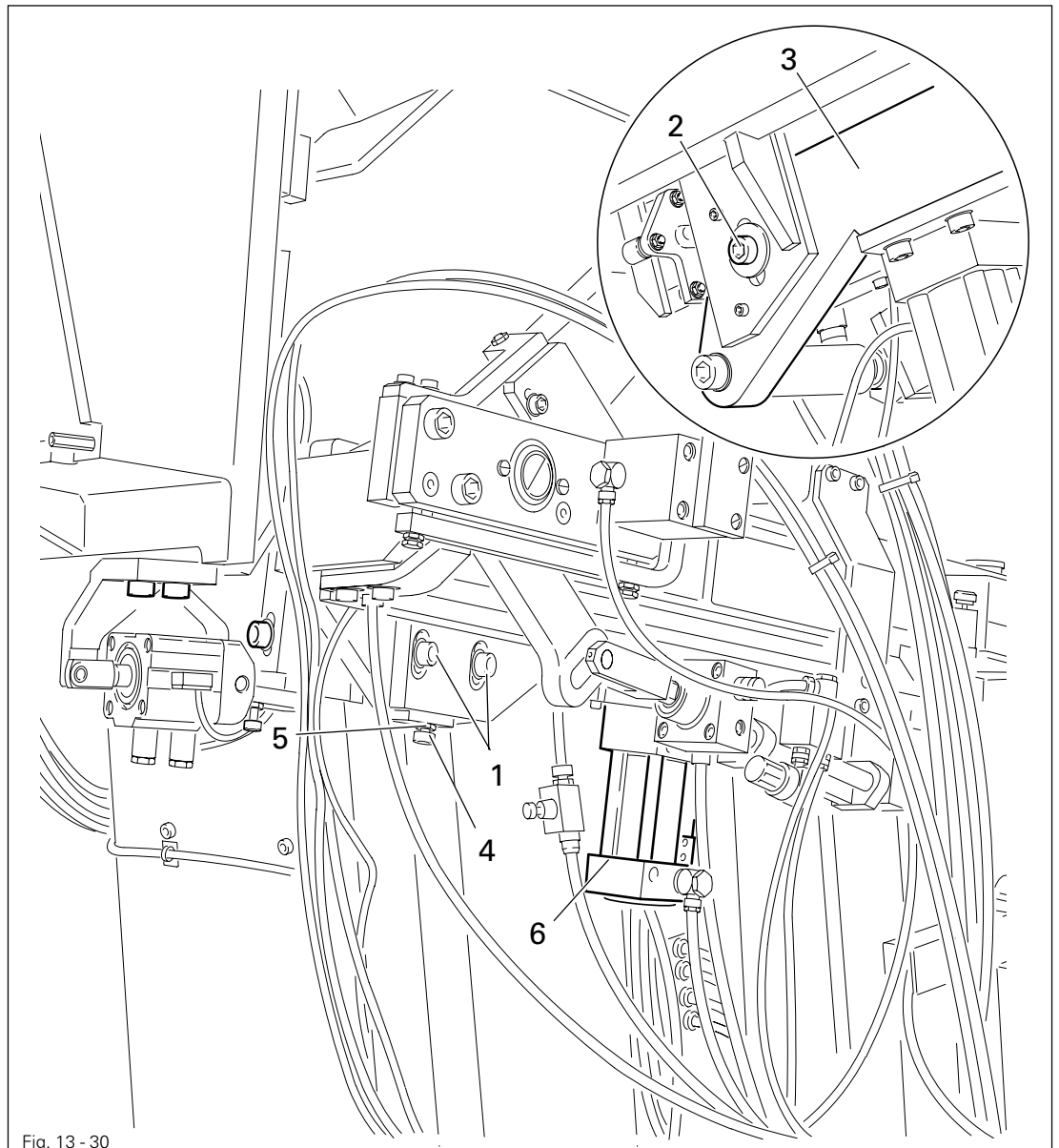
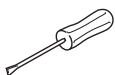


Fig. 13 - 30



- Check the **requirement** using a metal ruler.
- Loosen screws 1 and 2.
- Adjust the height of the guide 3 with screw 4 (nut 5) according to the **requirement**.
- Turn the plunger (lock nut) of cylinder 6 until the guide 3 is parallel to the table top.
- Tighten screws 1 and 2.

13.06.03 Aligning the pocket plate arm

Requirement

When the pocket plate is lowered, it must lie evenly on the table.

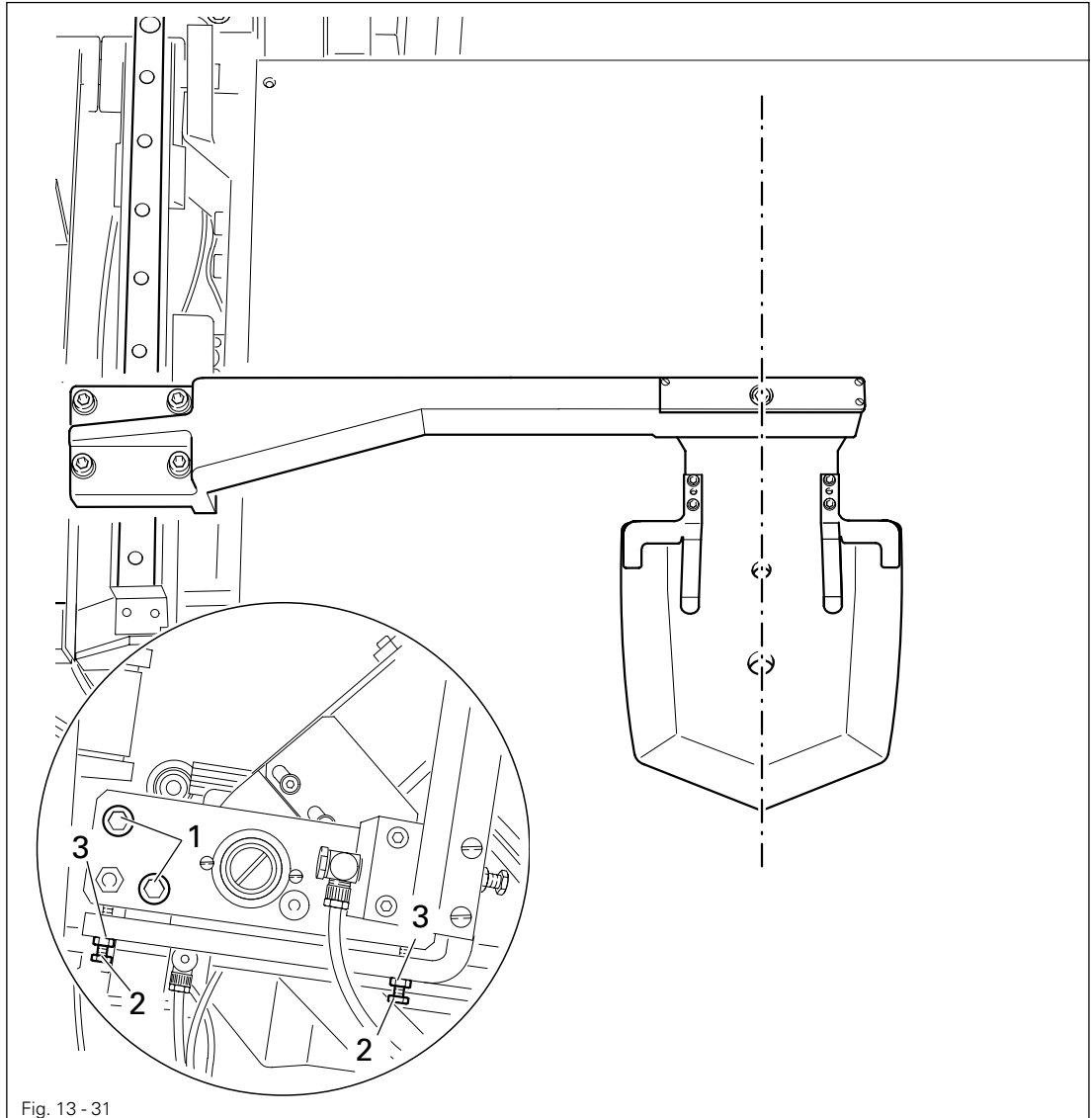
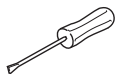


Fig. 13 - 31

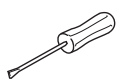
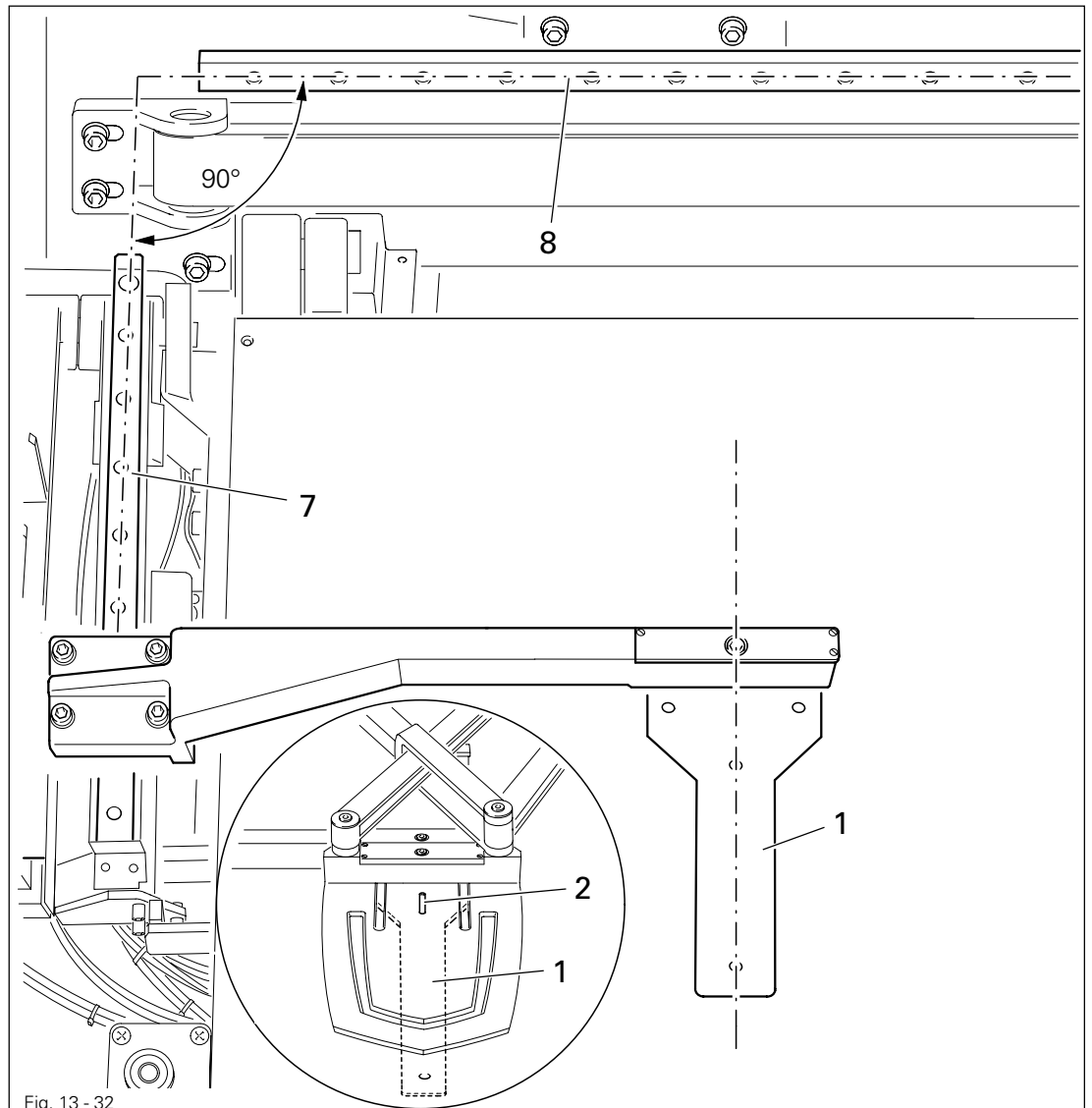


- Loosen screws 1.
- Turn screws 2 (nuts 3) according to the requirement.
- Tighten screws 1.

13.06.04 Aligning the pocket plate guide

Requirement

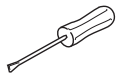
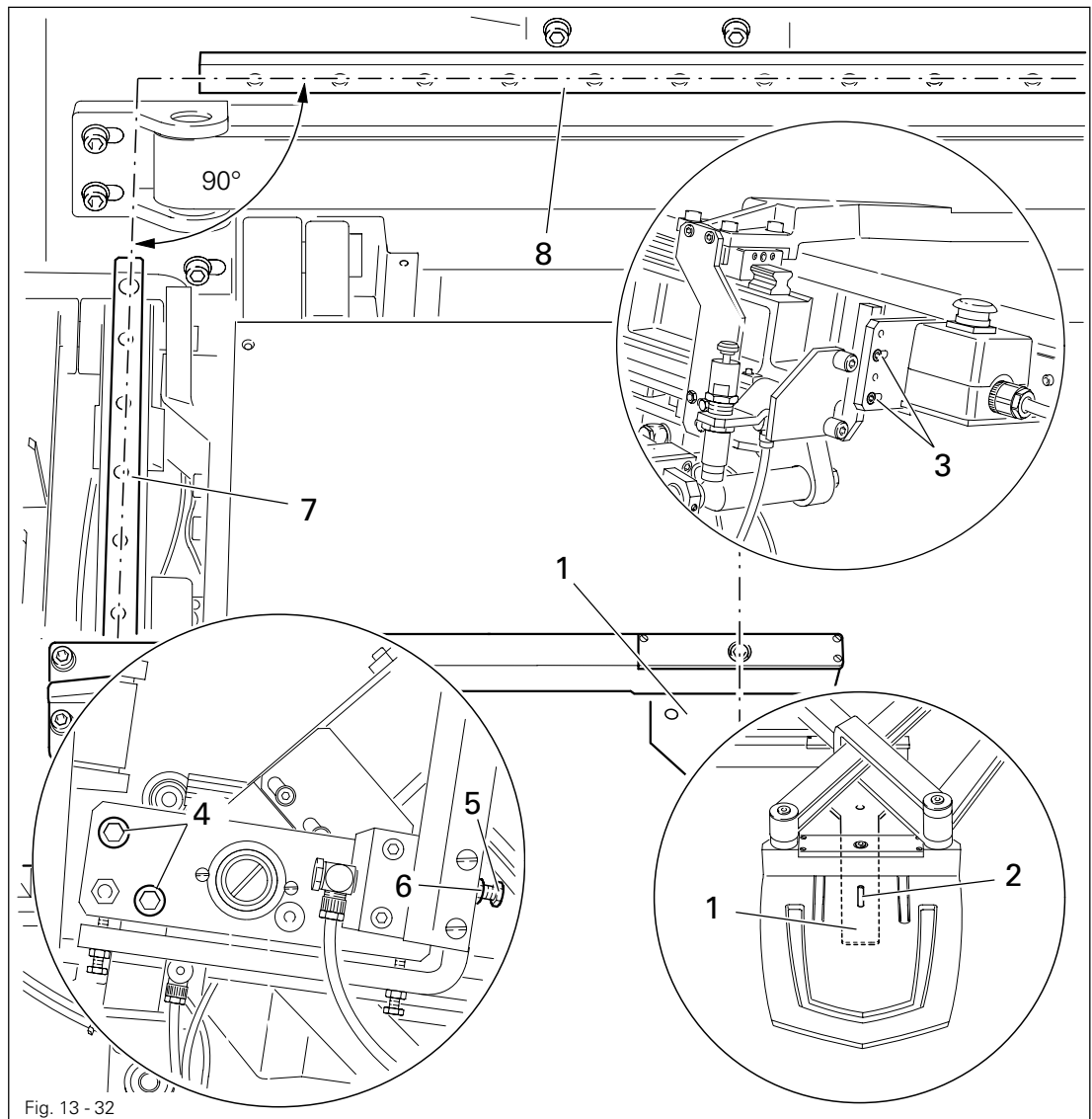
Guide 7 must be positioned perpendicular to guide 8 of the sewing jig feed.



- Select the **Sewing** mode.
- Machine moves to basic position.
- Remove pocket plate and insert pocket plate gauge 1.



- Select **INPUT** mode.
- Select the **FOLDER POSITION** function from the service menu (see **chapter 11.03 Summary of the service functions**).
- Check the **requirement** using adjustment pin 2.
- Turn off compressed air.



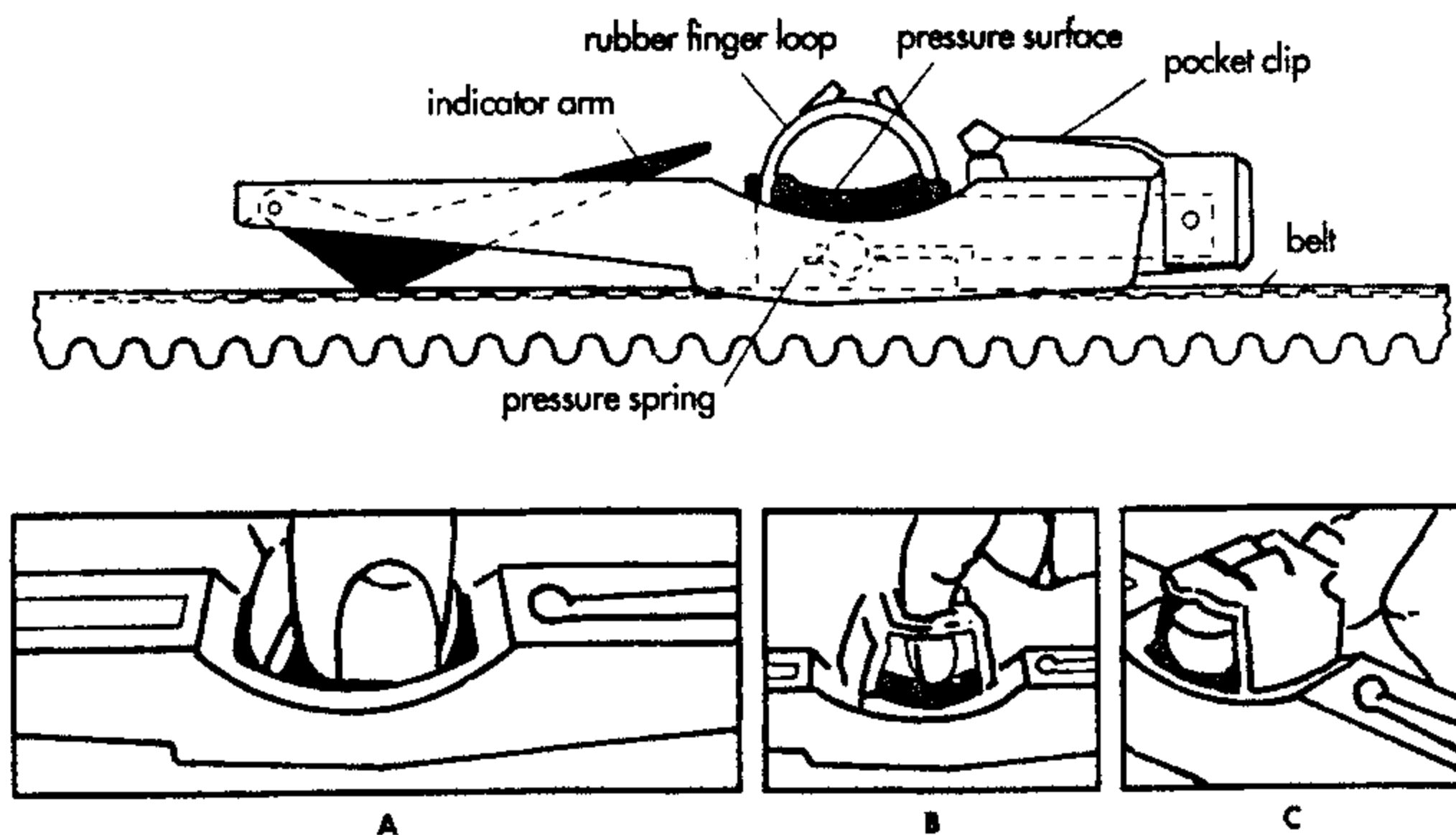
- Slide pocket plate gauge 1 to the back and mark front position.
- Loosen screws 3 and 4.
- Turn screw 5 (nut 6) according to the requirement.

Design Hints

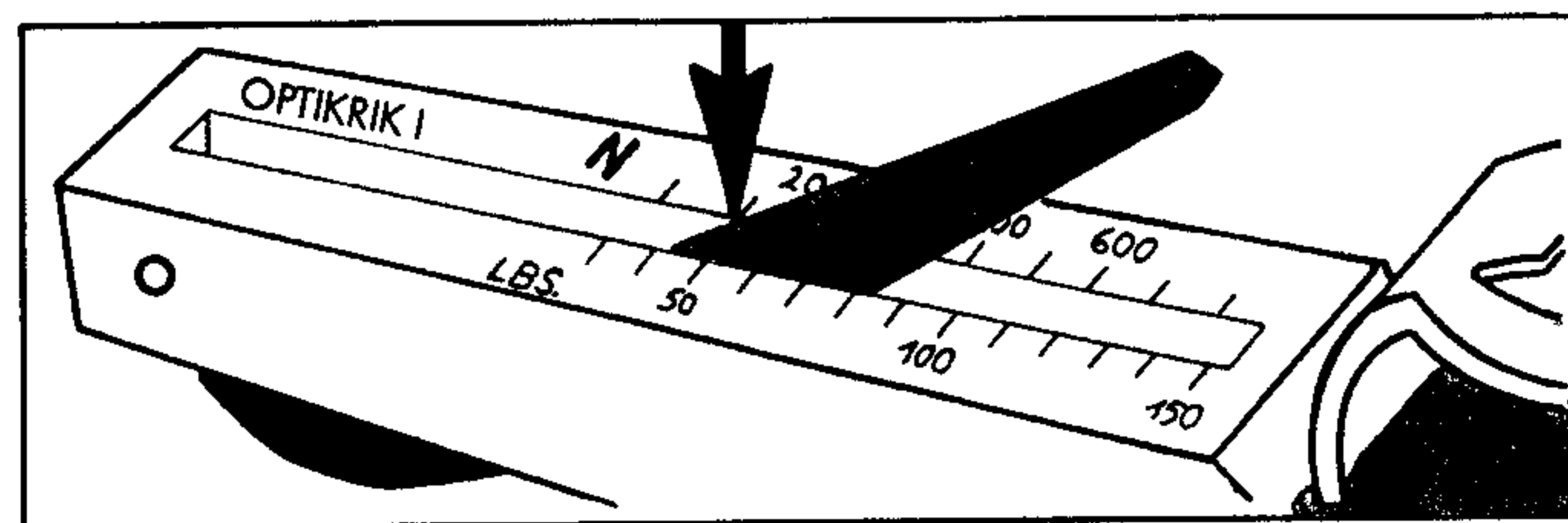
Tensioning for **optibelt** Belts, Kraftbands and Ribbed Belts for the automotive industry

This simplified tensioning method should be used for installation and maintenance tensioning of the belt when the important technical data is unavailable and the optimum tension cannot be calculated.

Optibelt Tensioning Gauges – Instructions for use



1. Select the gauge appropriate to the belt section and construction being tensioned. See notes below the simplified tensioning table.
2. Figure 2 shows three ways to hold the gauges so that pressure is applied to the black pad only.
3. Position the gauge on one of the belts on the drive in the middle of an accessible span length. Take care to ensure that the gauge is only in contact with one of the belts, and that the indicator is pushed down into the gauge body. Align the gauge so that its body is parallel with the sides of the belt.
4. Push slowly and firmly on the black pad. When a CLICK is heard and/or felt, stop immediately and remove the gauge carefully to avoid disturbing the indicator arm.



5. Read the gauge to judge the tension as follows.
6. Turn the gauge sideways to ascertain the exact point where the top surface of the black indicator crosses the scale.
7. Mark this point mentally or with a thumbnail and turn the gauge to read the scale.
8. Check the tension found against the simplified tensioning table. Tighten or slacken the belt, if necessary.

Example – refer to table headings

1. Optibelt Belt Section AVX 10
2. Initial Installation – Static tension (N) 600 N
3. Tension after 15 - 60 min. running – Static tension (N) 300 N
The static tension in the belt after 15 to 60 minutes running under load should be not less than 300 N. If the tension is below this level retension to 300 N.

Over the life of the belt the static tension should never be allowed to fall below 200 N. If this occurs must be retension up to 300 N.

Belt Section	Initial installation	Tension after 15-60 min. running	Minimum tension
	Static tension (N)	Static tension (N)	Static tension (N)
AVX 10 Marathon 1 Marathon 2	600 ± 50	300 ± 50	≥ 200
AVX 13 Marathon 1 Marathon 2	700 ± 50	400 ± 50	≥ 300
KB - 2 AVX 10	1200 ± 50	600 ± 50	≥ 400
KB - 3 AVX 10	1800 ± 50	900 ± 50	≥ 600
KB - 2 AVX 13	1400 ± 50	800 ± 50	≥ 600
KB - 3 AVX 13	2100 ± 50	1200 ± 50	≥ 900
RB - 3 PK	400 ± 50	250 ± 50	≥ 200
RB - 4PK	500 ± 50	350 ± 50	≥ 250
RB - 5 PK	600 ± 50	400 ± 50	≥ 300
RB - 6 PK	750 ± 50	500 ± 50	≥ 350

Tension Gauges:

Optikrik I	Range: 150 – 600 N
Optikrik II	Range: 500 – 1400 N
Optikrik III	Range: 1300 – 3100 N

The tension values for Marathon 1 and Marathon 2 automotive belts and Kraftbands are identical even though the constructions are different.

Select the appropriate tension gauge Optikrik I, Optikrik II or Optikrik III according to the tension range to be measured.

13.06.05 Front pocket plate position

Requirement

When the folder is positioned at zero point, the adjustment holes of the pocket plate and the sewing jig must be aligned.

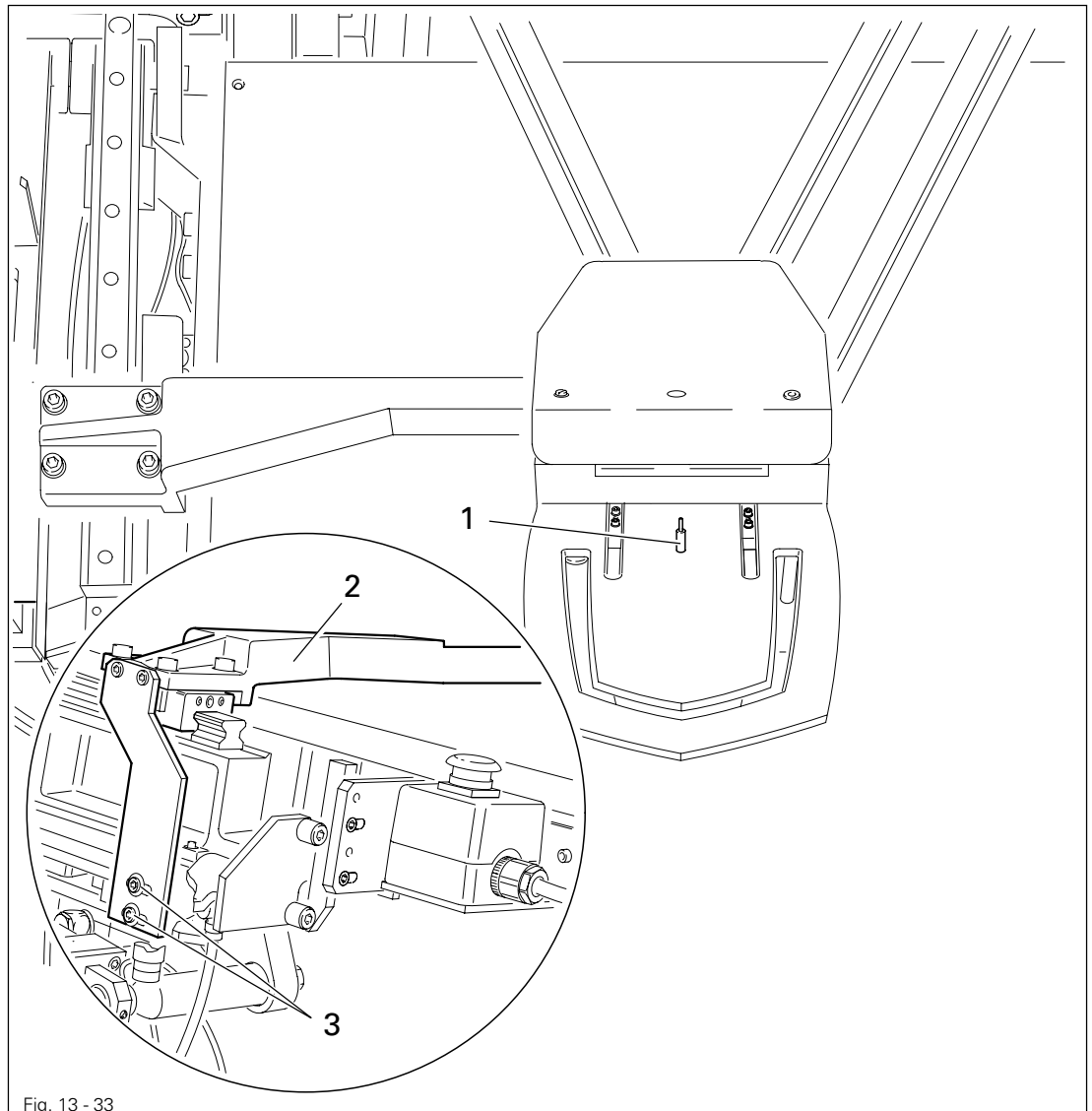
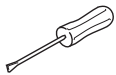


Fig. 13 - 33



- Switch on the machine.
- Select the **INPUT** mode.
- Select the **FOLDER POSITION** function from the service menu (see **chapter 11.03 Summary of the service functions**).
- Set the value for the y-axis to "0".
- Check the **requirement** using the adjustment pin 1.
- Change the value for the x-axis according to the **requirement** via the control panel and store.
- Move the pocket plate arm 2 (screws 3) according to the **requirement**.

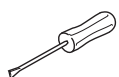
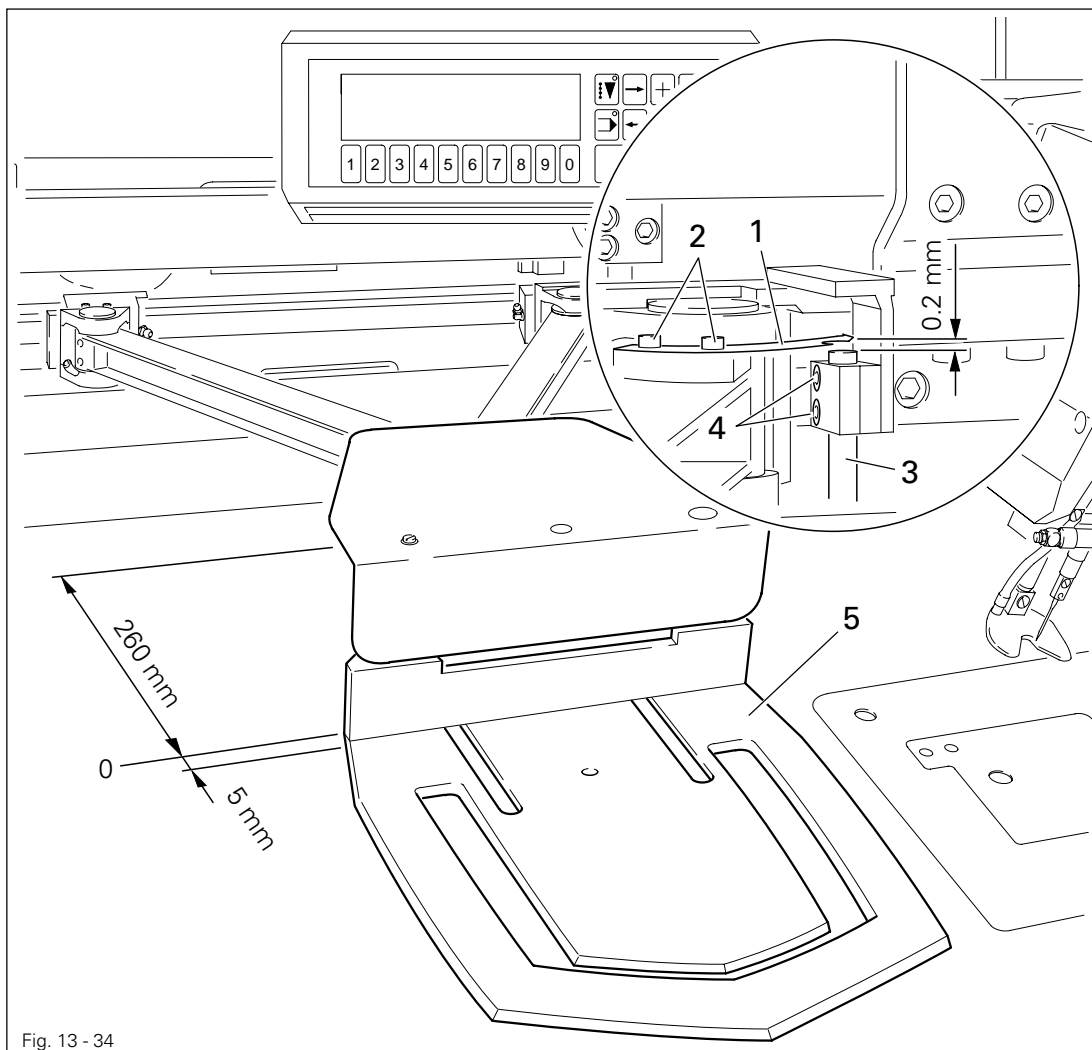


The machine remains switched on for further adjustments.

13.06.06 Monitoring the sewing jig feed

Requirement

1. In the y-direction, the sewing jig **5** must not be able to move from its zero point more than **5 mm** toward the bottom and **260 mm** to the top.
2. The proximity switch **3** must be **0.2 mm** below the switch vane **1**.



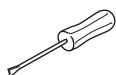
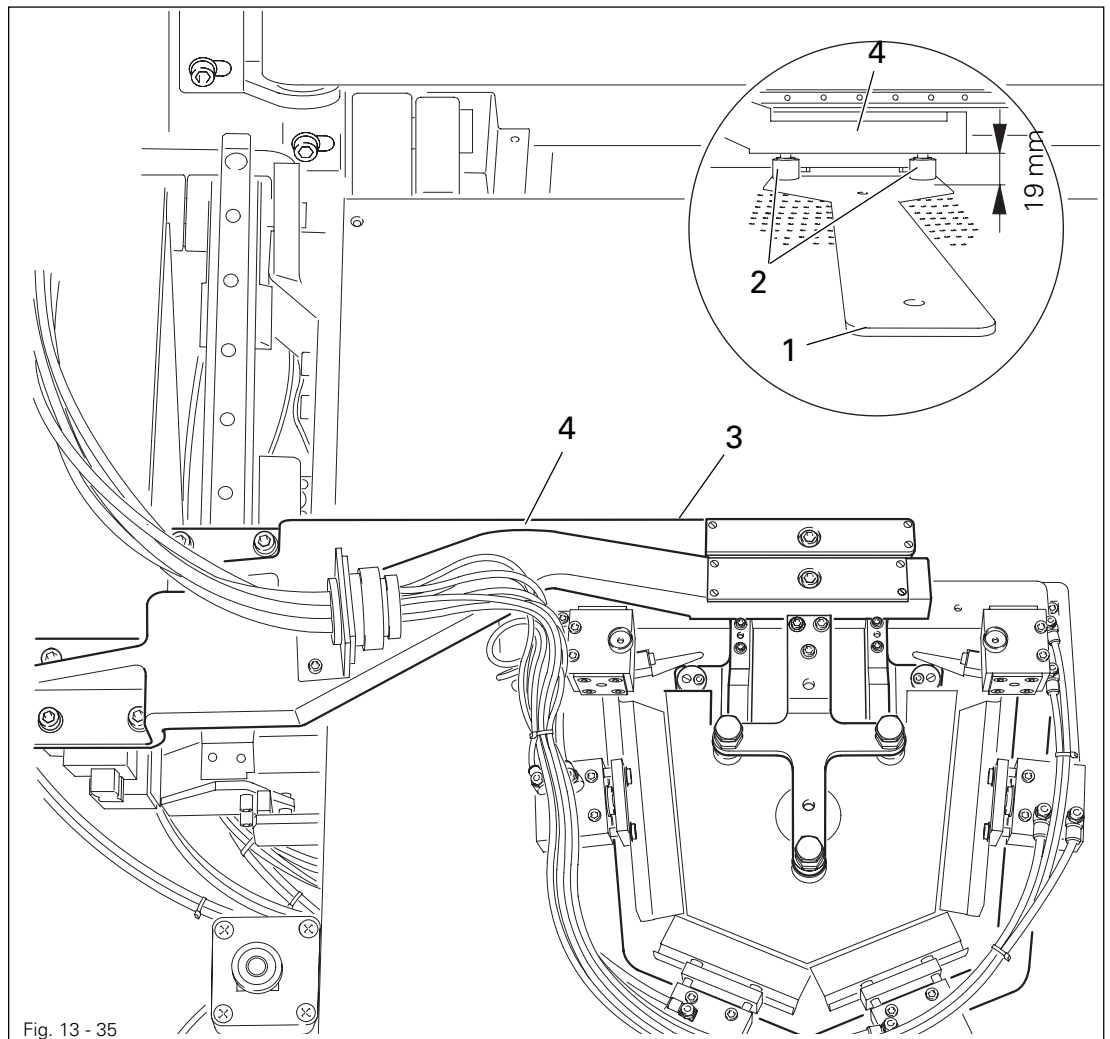
- Move the switch vane **1** (screws **2**) according to **requirement 1**.
- Move the proximity switch **3** (screw **4**) according to **requirement 2**.

13.06.07 Positioning the edge folding unit

Requirement

When the edge folding unit and pocket plate are lowered

1. Folder arm 4 must be parallel with pocket plate arm 3 and the table top.
2. The pins in folder arm 4 and the bushes 2 in pocket plate gauge 1 must be aligned, and
3. there must be a clearance of 19 mm between folder arm 4 and pocket plate gauge.
4. The folder arm must rest lightly on the table top and hold the workpiece securely.



- Remove pocket plate and edge folder
- Insert pocket plate gauge 1 and bushes 2.



- Call up the SEWING mode.



- Switch on the **manual sewing** function (number key 0).



- Press the double start buttons.
- Operate the **cycle forwards** function until pocket plate arm 3 and folder arm 4 are lowered.

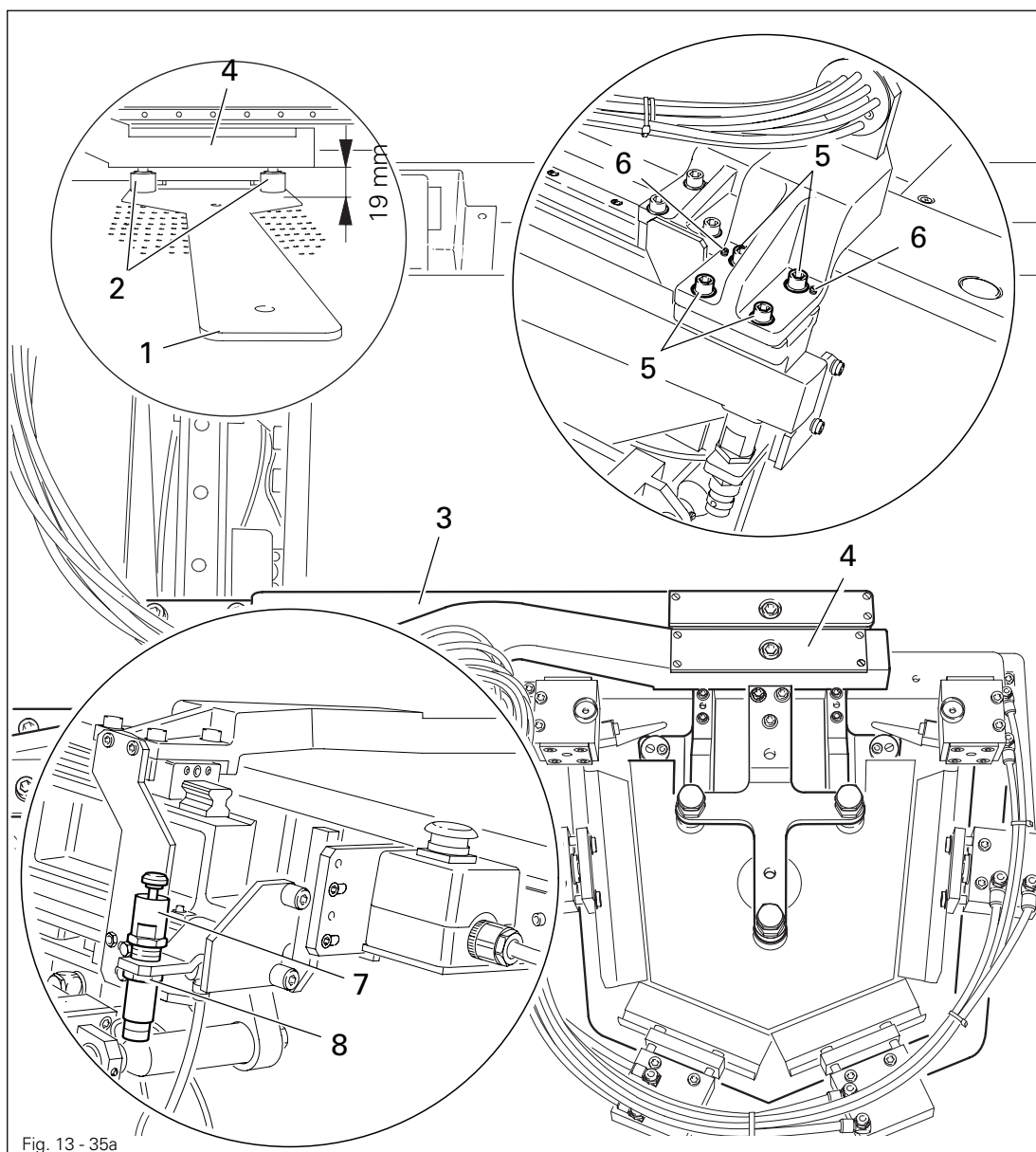


Fig. 13 - 35a

- Loosen screws 5.
- Position folder arm 4 by turning and pushing it and by turning screws 6 according to requirements 1 and 2.
- Tighten screws 5 securely.
- Turn shock absorber 7 (nut 8) according to requirement 3.
- Remove pocket plate gauge 1 and fit the folding unit.
- Apply Tesamoll (adhesive tape) to the edge folder frame to fulfil requirement 4.

13.06.08 Aligning the die

Requirement

When the folder is lowered and the pocket plate is raised at the same time,

1. the bottom edges of the die's 1 strips must be at a distance of approx. the thickness of the fabric under the underside of the pocket plate.
2. and they must be positioned on all sides at the same distance of 0.3 to 1 mm (depending on the fabric) to the pocket plate edges.

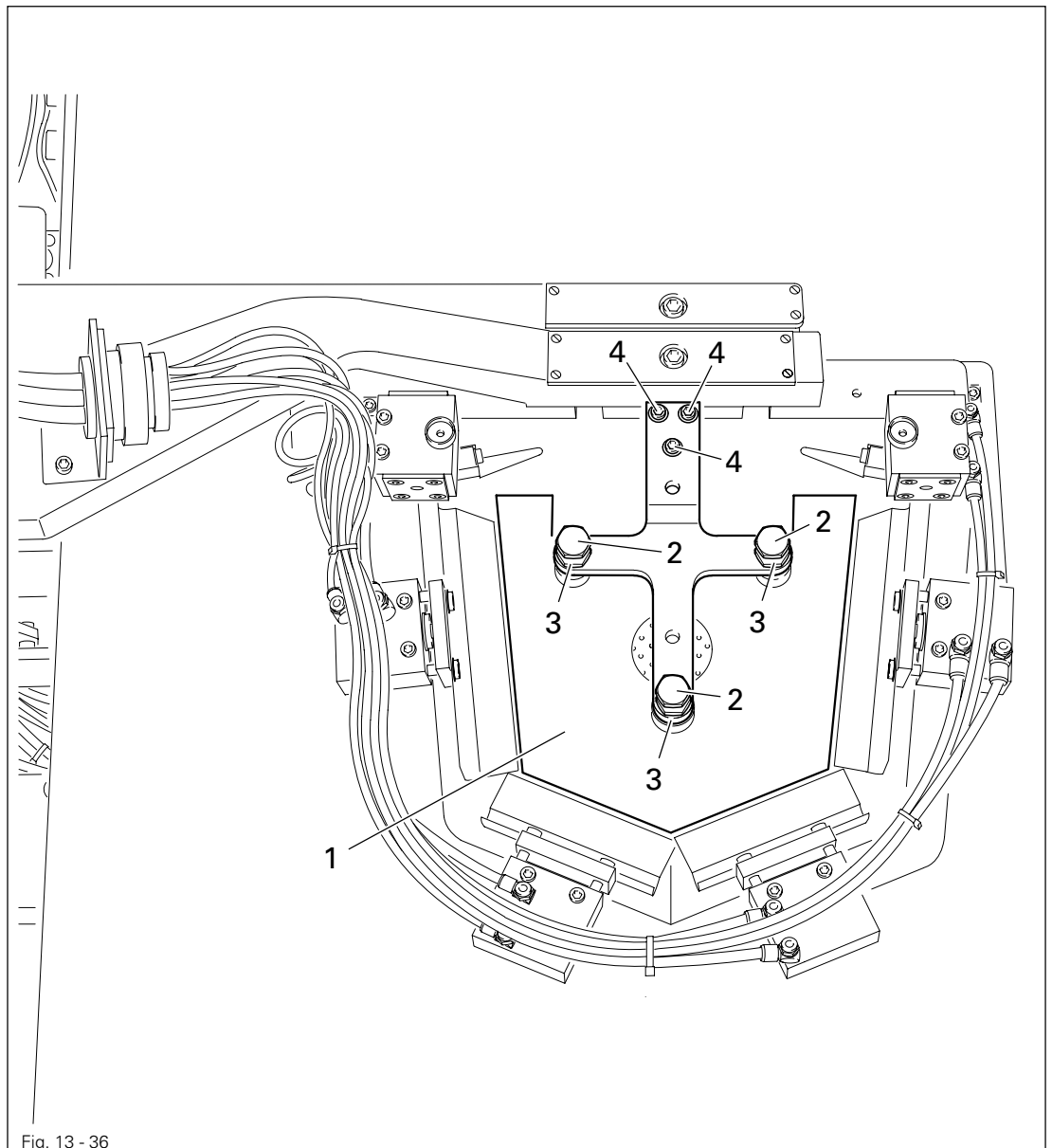
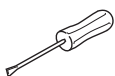


Fig. 13 - 36



- Align the bottom edges of the die's 1 strips with the underside of the pocket plate via screws 2 (nuts 3).
- Turn damper 9 (nut 10) - see Fig. 13-35a - according to **requirement 1**.
- Align die 1 (screws 4) according to **requirement 2**.

13.06.09 Control sequence of the folder plates

Pocket style					
1. Switching position	a + b	a + b	a + b	a + b	a + b
2. Switching position	c + d	c + d + e	c + d	c + d + e	c + d
3. Switching position	e	f	e	f	e
4. Switching position	f + g	g + h	f	g	f + g

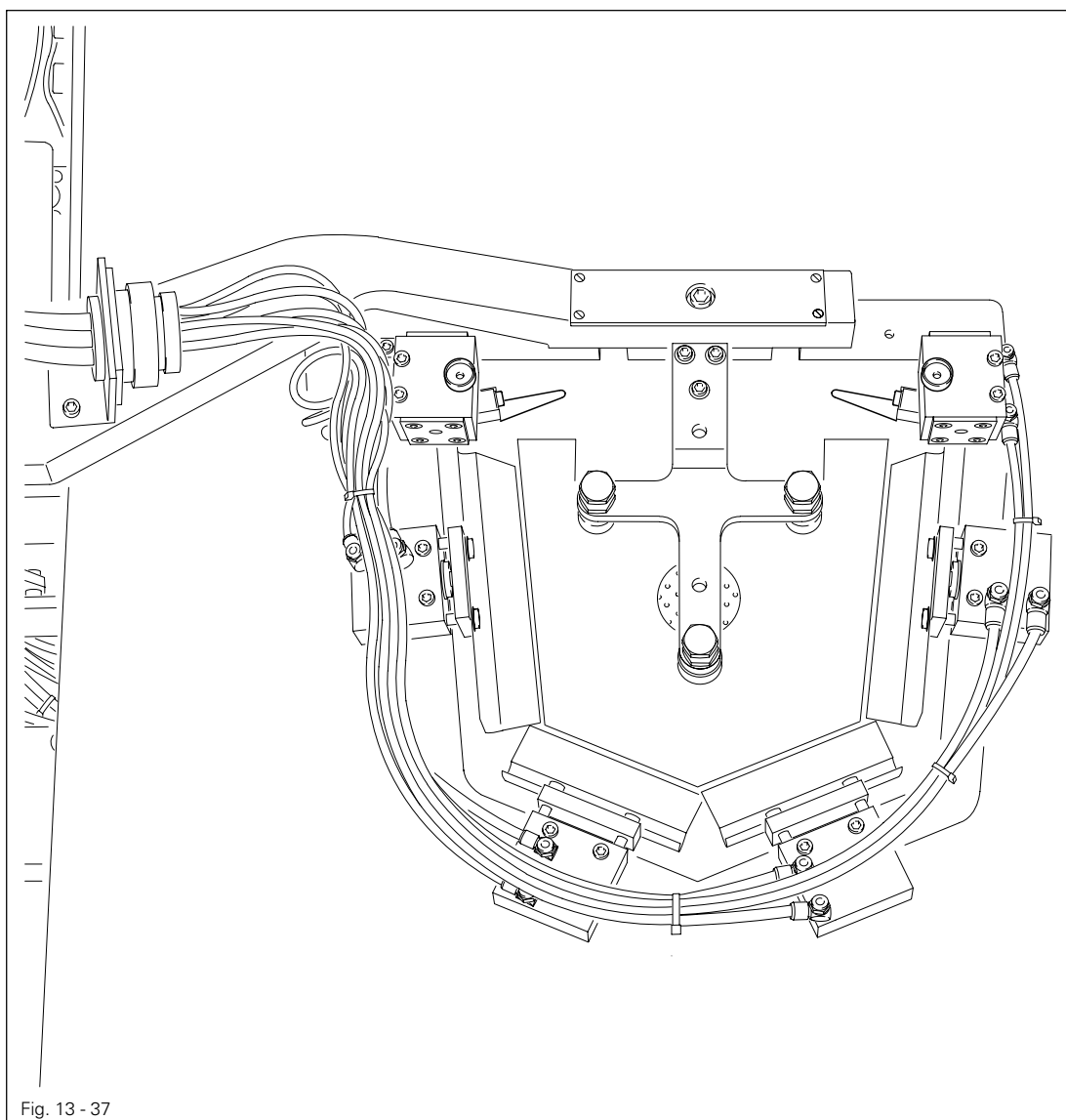


Fig. 13-37



The control sequence and the number of folder plates (and the number of switching positions) depends on the pocket style. The folder installation shown in **Fig. 13-37** is for the third pocket style.

For other pocket styles, refer to the above table for the cylinders corresponding to the relevant switching positions.

13.06.10 Position of folder plates

Requirement

1. The front edges of the folder plates 1 must be parallel to the die 4.
2. In the initial position, the folder plates 1 must be positioned on all sides approx. 0.1 mm under the lower edges of the strips of the die 4.

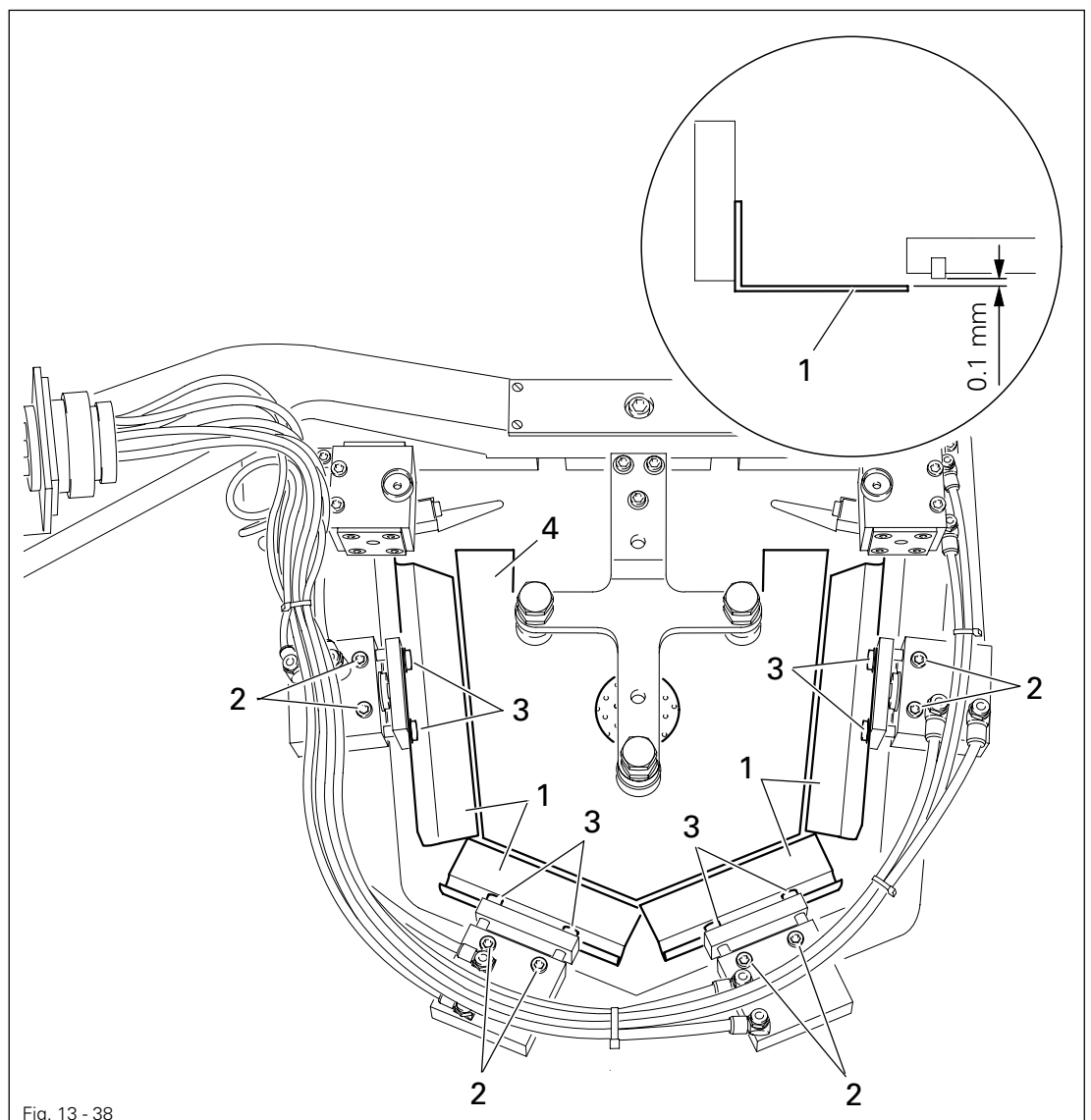
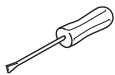


Fig. 13 - 38



- Remove the folder.
- Align folder plate 1 (screws 2) according to requirement 1.
- Insert the folder plates 1 one after another according to the control sequence (see chapter 13.06.09 Control sequence of the folder plates) and align according to requirement 2 (screws 3).
- Remount the folder.

13.06.11 Position of corner folders

Requirement

1. In folder position, the corner folders 4 must be parallel under the slanted side of the folder plate and overlap by 1 to 2 mm.
2. The corner folders 4 must be positioned 1 to 2 mm under the folder plates depending on the fabric thickness.

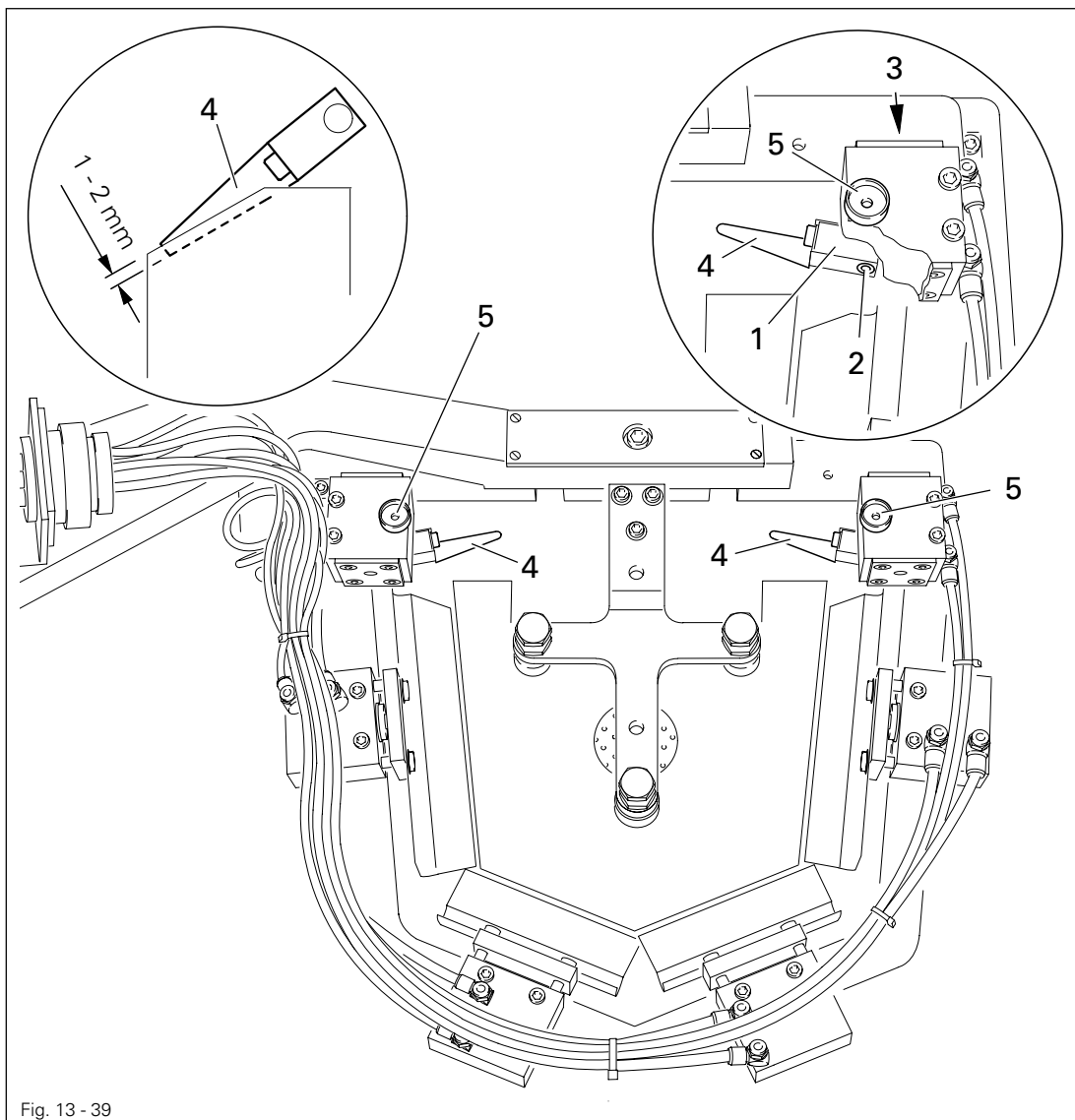
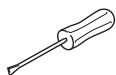


Fig. 13 - 39



- Preadjust the clamps 1 (screws 2) according to **requirement 1**.
- For the final adjustment, turn stop screws 3 according to **requirement 1**.
- Adjust the corner folders 4 (screws 5) according to **requirement 2**.

13.06.12 Aligning the seam in relation to the pocket

Requirement

The seam is to be at the same distance on all sides to the pocket edge.

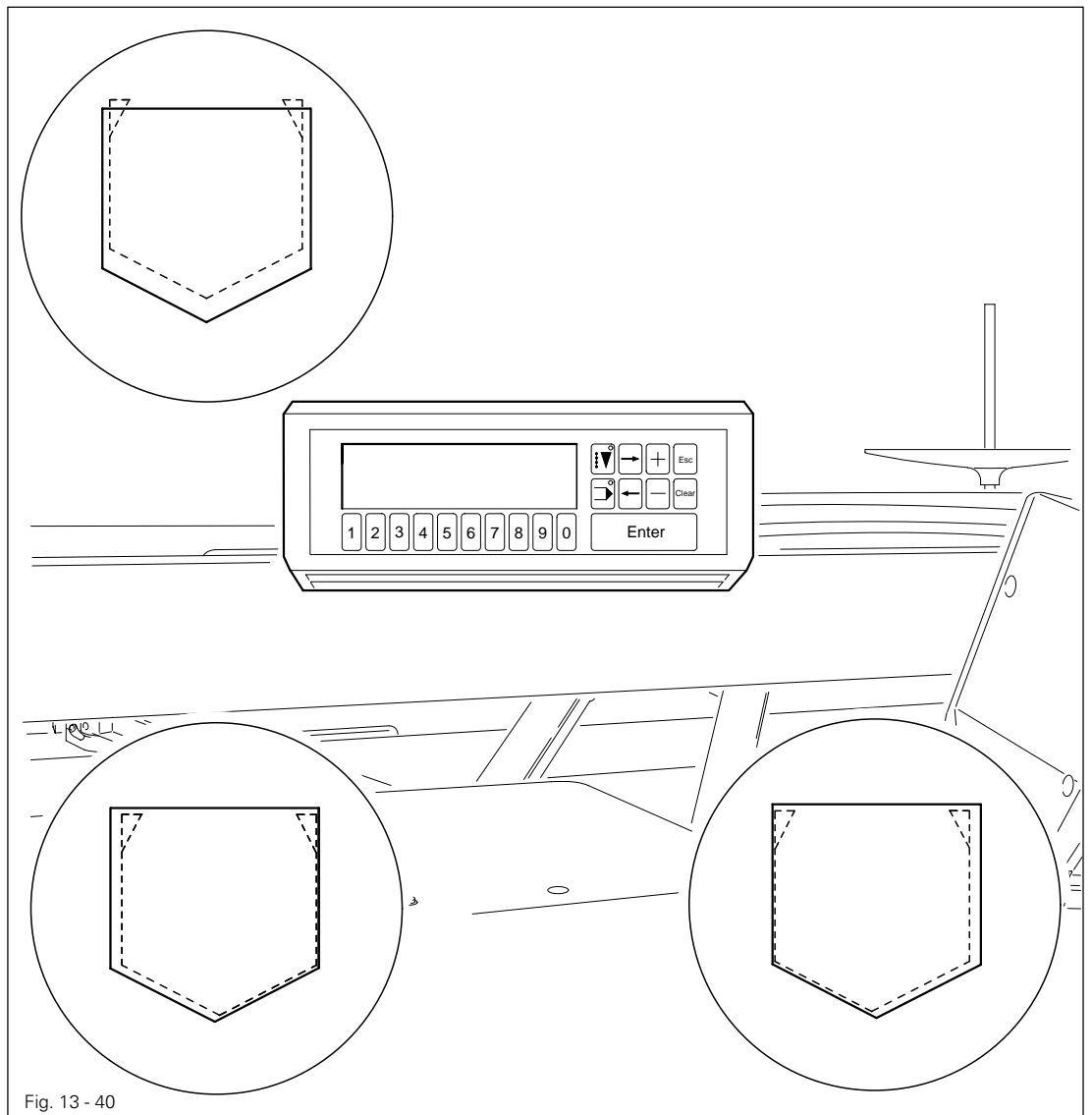
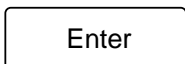
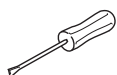


Fig. 13 - 40



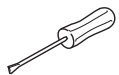
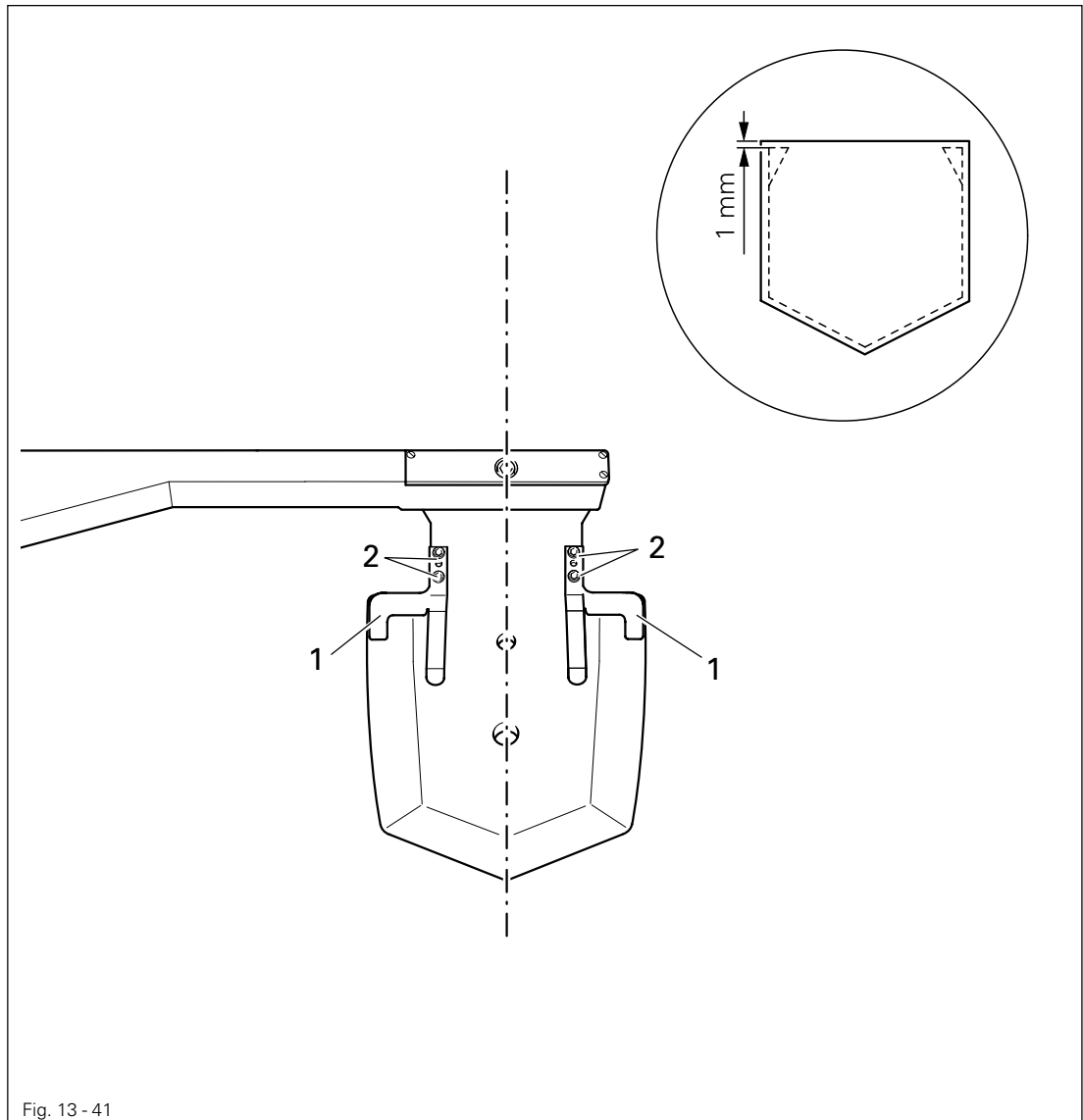
- Switch on the machine.
- Select the **INPUT** mode.
- Select **parts program functions** function (number key 9).
- Align the seam according to the **requirement** via the functions **SEAM CORRECTION X** (number key 7) and **SEAM CORRECTION Y** (number key 8).
- Store the changes with the **Enter** key.
- Switch off the machine.

Adjustment

13.06.13 Seam backtack distance

Requirement

The distance between the seam backtack and the pocket opening is to be approx. **1 mm**.

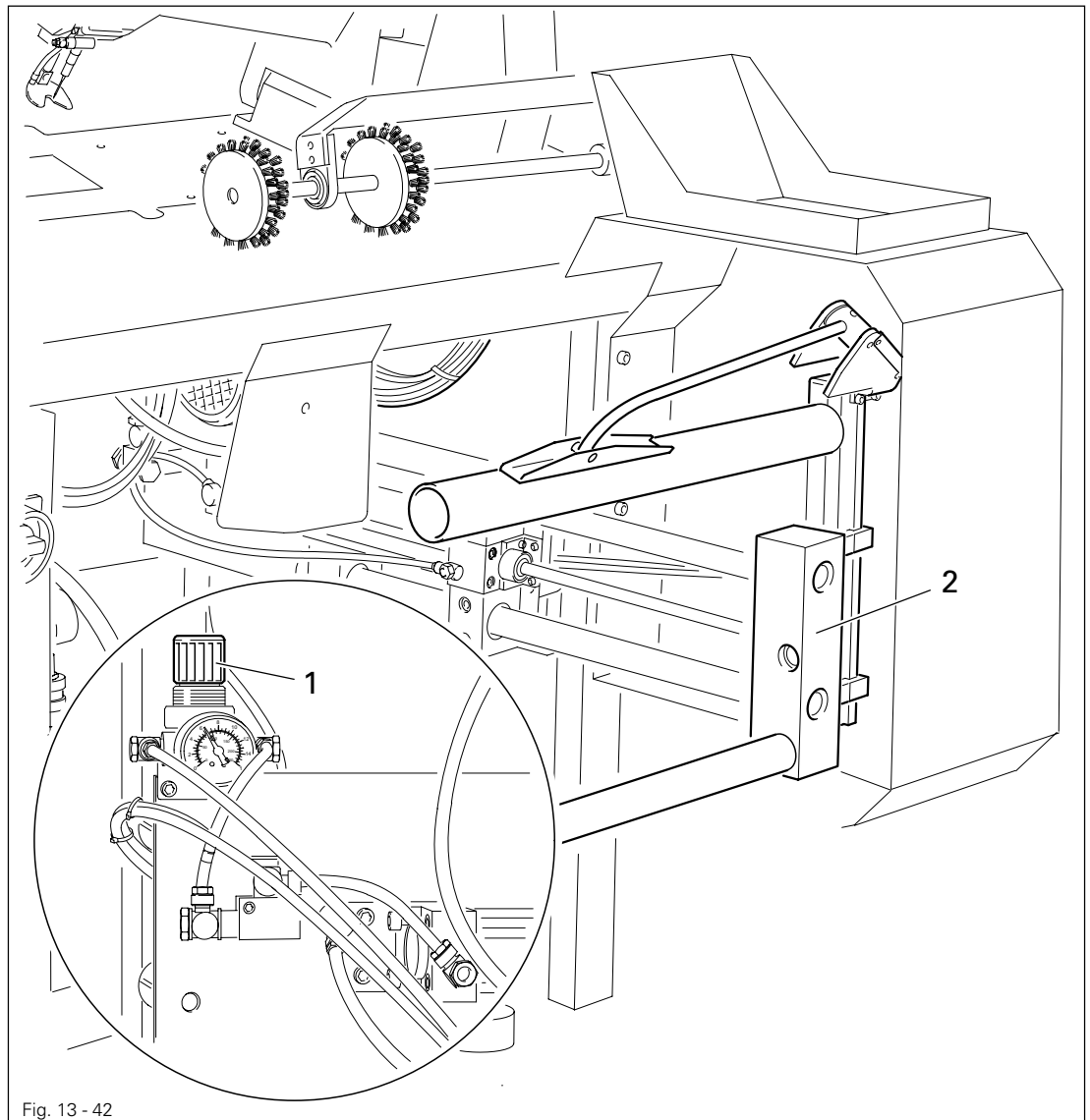


- Adjust stops 1 (screws 2) on the pocket plate according to the requirement.

13.06.14 Stacking device

Requirement

When it is in operating position, the stacking device 2 must hold the workpiece with the least amount of pressure possible.



- Adjust the pressure at pressure reducing valve 1 according to the **requirement**.

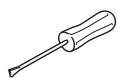
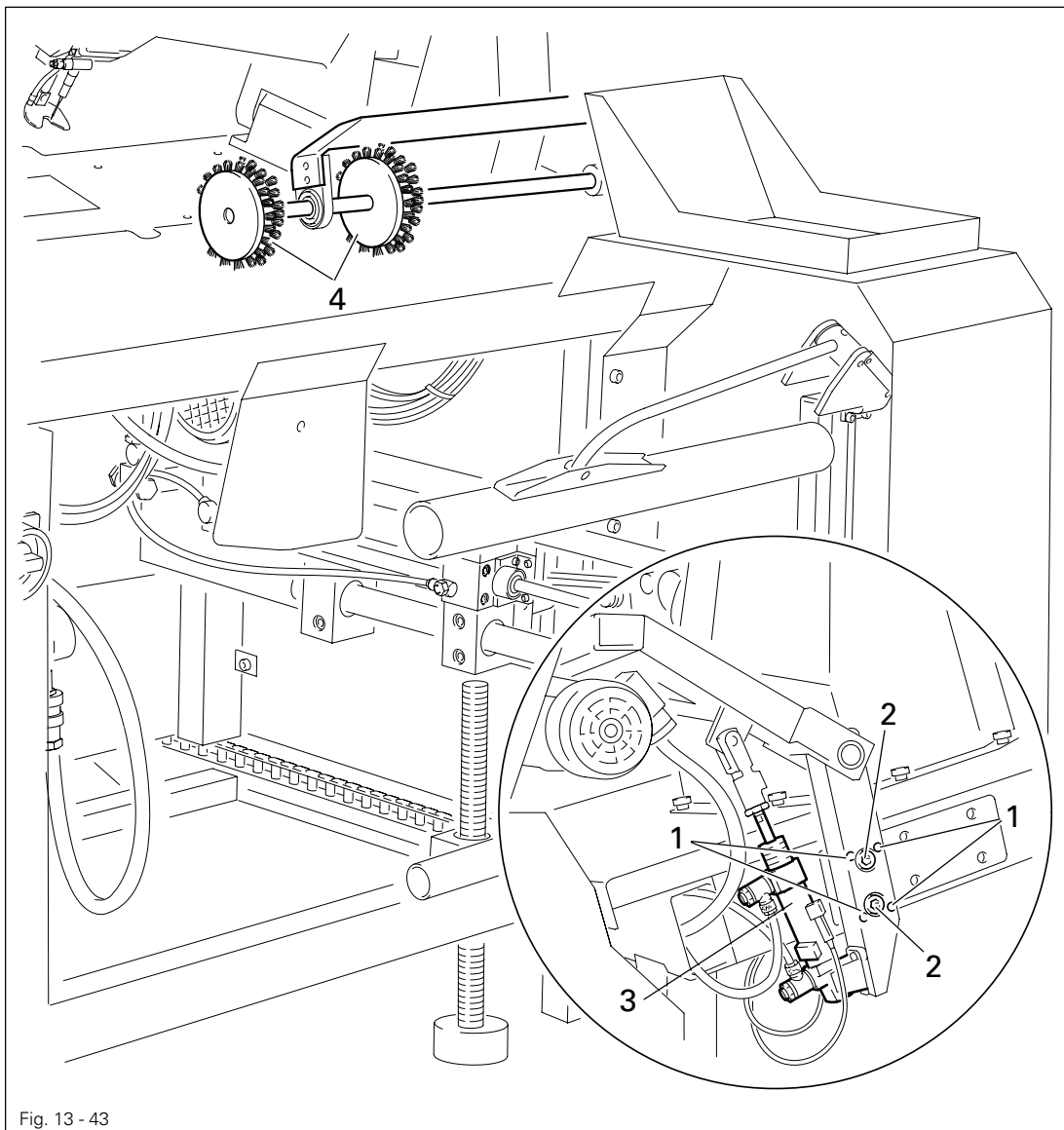


To carry out the adjustments, the outputs Y 52 and Y 51 must be switched. (See SERVICE FUNCTIONS, page 11-17).

13.06.15 Aligning the feed rollers

Requirement

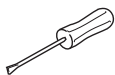
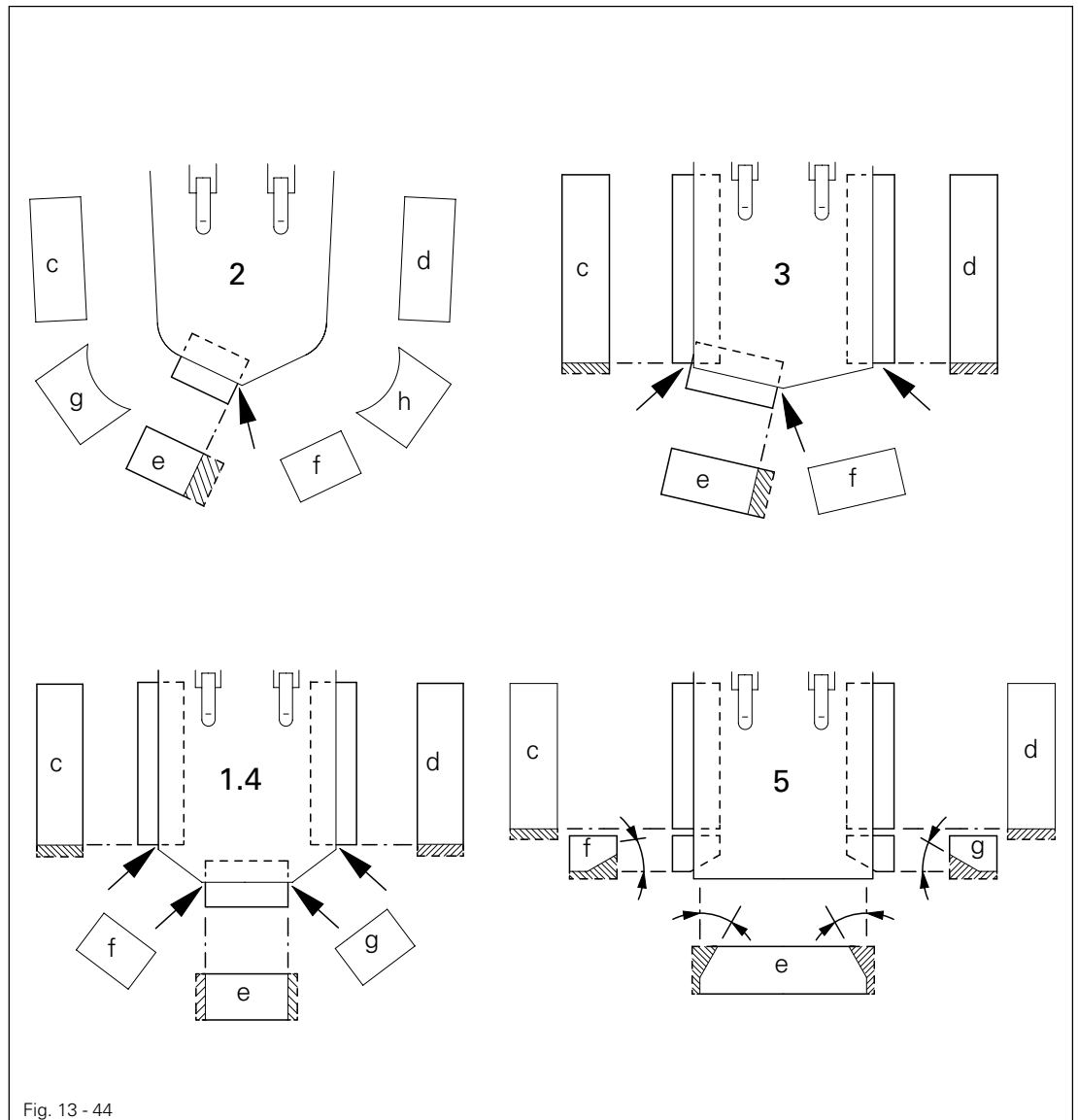
The lowered feed rollers **4** must rest lightly and evenly on the table top, and be positioned parallel to the front edge of the table.



- Turn screws **1** (loosen screws **2** slightly) and the plunger of the cylinder **3** according to the **requirement**.

13.07 Shaping folder plates

13.07.01 New installation / self-manufacture of folder plates



- Make and/or install the folder plates according to Fig. 13-44.



When newly installing or making the folder plates, make sure that they lie behind the corners of the pocket plate by at least the amount of the fabric thickness on the marked spots.



For the fifth pocket style, the folder plates e, f and g must be additionally slanted by 30°.

13.07.02 Slanting the lateral folder plates



Do not begin with this work process until the adjustments in **chapters 13.06.12 Aligning the seam in relation to the pocket and 13.06.13 Seam backtack distance** have been carried out!

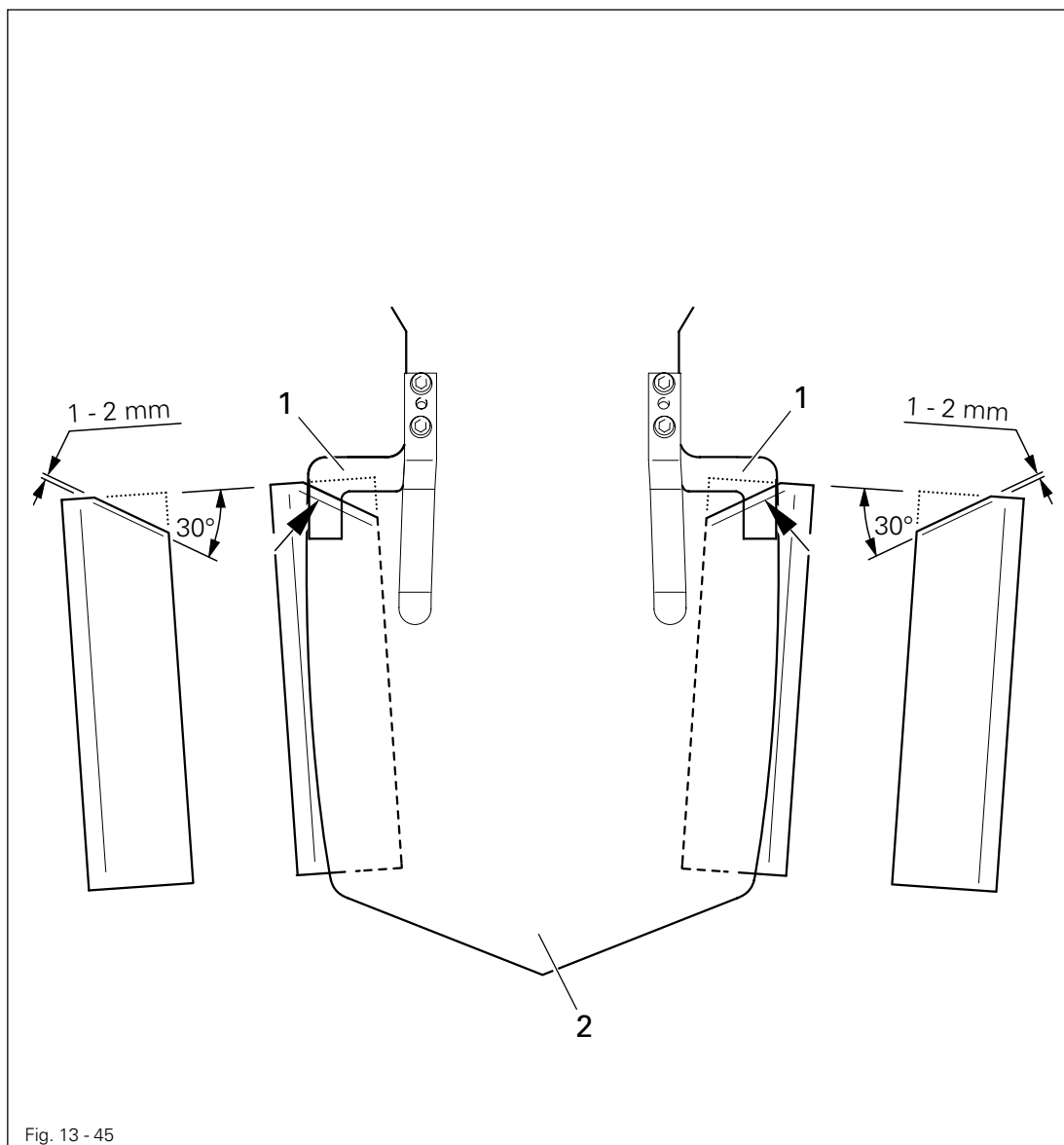
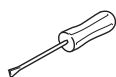


Fig. 13 - 45



- With the folder plates fully extended, transfer the front edges of the stops **1** and the outer edge of the pocket plate **2** to the lateral folder plate.
- Trace slanted edge of **30°**.
- Work the folder plate up to **1 - 2 mm** before the trace.
- Round off the edges of the folder plate and polish.

	Chapter - Page
Contents	Chapter - Page
14	Controller 14 - 1
14.01	Basic settings/diagnosis/pin assignments 14 - 1
14.01.01	Base control unit A20 14 - 1
14.01.02	Sewing drive A22 14 - 3
14.01.03	List of parameters - Sewing drive 14 - 5
14.01.04	Stepping motor drive A21 14 - 6
14.01.05	Stacker motor drive 14 - 7
14.01.06	AC-Line-Controller 14 - 7
14.02	Error description 14 - 8
14.02.01	Example of an error message 14 - 8
14.02.02	Errors - Sewing drive 14 - 9
14.02.03	Errors - Stepping motor drive 14 - 10
14.02.04	Errors - Stacker drive 14 - 12
14.02.05	Errors - Disk drive 14 - 13
14.02.06	Errors - Stitch generation 14 - 14
14.03	Tables 14 - 15
14.03.01	Tables for lock/release functions 14 - 16
14.03.02	Table of machine data (MDAT) 14 - 19
14.03.03	Tables of outputs 14 - 20
14.03.04	Tables of inputs 14 - 23
14.04	Updating the software 14 - 25
15	Circuit diagrams 15 - 1
	Reference list 15 - 1
	Inputs 15 - 2
	Connections 15 - 3
	Outputs 15 - 4
	Circuit diagram - Overview Part 1 15 - 5
	Circuit diagram - Overview Part 2 15 - 6
	Circuit diagram - Overview Part 3 15 - 7
	Circuit diagram - Overview Part 4 15 - 8
	Circuit diagram - Overview Part 5 15 - 9
	Mains supply 230 V 15 - 10
	Terminals X1 15 - 11
	Circuit diagram A20 + A21 15 - 12
	Circuit diagram A20 + A22 15 - 13
	Circuit diagram A11/L1 15 - 14
	Circuit diagram A11/L2 15 - 15
	Circuit diagram A12/L3 15 - 16
	Circuit diagram A12/L4 15 - 17
	Circuit diagram A13/L5 15 - 18
	Circuit diagram A13/L6 15 - 19

14 Control

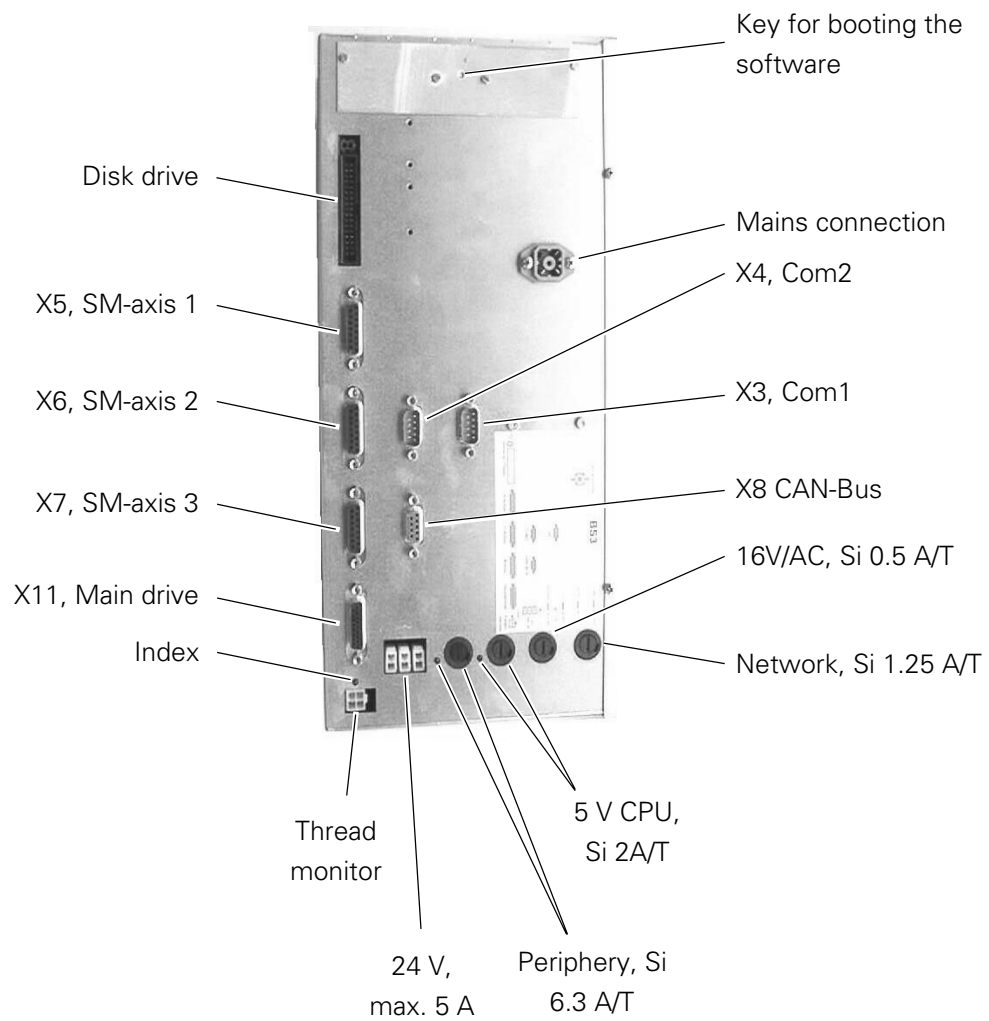
14.01 Basic setting / Diagnosis / Pin assignment

14.01.01 Basic control unit A20



In the factory, the basic control unit is equipped with the necessary operating and ramp software. This may only be replaced by appropriately trained personnel.

Pin locations



Operation indicators/Voltage supply

LEDs for various operating voltages are provided on top of the device (see sticker on the device).

These LEDs are for + 12V, + 15.1V and + 24V.

Fuses

2,0 AT / 5V / CPU

6,3 AT / 24V / Periphery

0,5 AT / 16V / Control panel

1,25 AT / 230V / Main

Pin assignment

X 3 (COM1) and X 4 (COM2)

PIN	Signal	PIN	Signal
1	Vterm1	6	bridged to PIN 4
2	RxD	7	RTS
3	TxD	8	CTS
4	bridged to PIN 6	9	Vterm2
5	GND		

X 5 (motor 1) and X 6 (motor 2)

PIN	Signal	PIN	Signal
1	pulse +	9	pulse -
2	direction +	10	direction -
3	Fkt1 +	11	Fkt1 -
4	Fkt2 +	12	Fkt2 -
5	Vex +	13	Vex -
6			
7	Inp2 +	14	Inp2 -
8	Inp1 +	15	Inp1 -

X 8 (CAN-Bus)

PIN	Signal	PIN	Signal
1		6	
2		7	
3	DoRi +	8	DoRi -
4	GND	9	GND
5			

X 11 (main drive)

PIN	Signal	PIN	Signal
1	screening	14	A_A
2	TxD_A	15	A_B
3	RxD_A	16	B_A
4	TxD_B	17	B_B
5	RxD_B	18	I_A
6		19	I_B
7	GND	20	GND
8		21	A_OC
9	R1_A	22	B_OC
10	R1_B	23	I_OC
11	R2_A	24	V2
12	R2_B	25	GND
13	GND	26	Vex

14.01.02 Sewing drive A22



Before leaving the factory, the sewing drive controller is equipped with the necessary operating software. This software may only be replaced by appropriate specialist personnel.

The LED Power on indicates if (the sewing drive) is ready to operate. There are no diagnostic functions and fuses available. If error messages occur in the machine display, please refer to **chapter 14.02.02 Errors - Sewing drive**.

Pin assignment

X 1 (synchronizer)

PIN	Signal	PIN	Signal
1	FA	6	
2	FB	7	
3	SM	8	
4	ADTC1	9	GND
5	+ 5V		

X 2 (commutating signal generator)

PIN	Signal	PIN	Signal
1		6	KA
2		7	KB
3		8	KC
4	ADTC2	9	GND
5	+ 5V		

X 3 (Interface)

PIN	Signal	PIN	Signal
1	GND	14	A
2	TxD	15	A\
3	RxD	16	B
4	TxD\	17	B\
5	RxD\	18	Index
6		19	Index\
7	GND	20	
8		21	
9	REF1	22	
10	REF1\	23	
11	REF2	24	
12	REF2\	25	
13	GND	26	

X 6 (mains)

PIN	Signal
1	PE
2	N
3	L1

X 14 (motor)

PIN	Signal
1	PE
2	U
3	V
4	W

14.01.04 Stepping motor drive A21

The stepping motor controller has the following initial setting:

DIP switch

OFF ON

*		Step no.: 1000
*		Step no.:
*		Current reduction active
*		Enable

Rotary switch

Position B ==> phase current 5.4 A



For information on the status indications via LED please refer to **chapter 14.02.03 Errors - Stepping motor drive.**

Pin assignment

X 1 (motor 1 input) and X 2 (motor 2 input)

PIN	Signal	PIN	Signal
1	Pulse +	9	Pulse -
2	Direction +	10	Direction -
3	Gate/Enable +	11	Gate/Enable -
4	Current control +	12	Current control -
5		13	
6		14	
7		15	Ready -
8	Ready +		

14.01.05 Stacker motor drive



Before leaving the factory, the stacker motor drive has been set and/or programmed to meet the requirements of this machine. It may only be replaced by a programmed drive.

Operation controls

LED H1 (yellow)	LED H2 (green)	Meaning
off	off	Power off, no function
on	off	Power on, after approx. 0.5 s of self-test ready for operation
off	on	drive has been started
on	on	overload protection active
flashes	off	see chapter 14.02.04 Errors - Sewing drive

14.01.06 AC-Line-Controller



The AC-Line-Controller is set in the factory to the requirements of this machine. An exchange is only permissible after prior adjustments.

Default setting

Potentiometer	Value
UL (upper limit)	260V
LL (lower limit)	195V
off delay	Min.

Operation displays

LED ((green)	LED (red)	Meaning
off	off	line off - no function
on	off	machine functional, voltage outside the set range
on	on	machine functional, voltage within the set range

14.02 Error description

If an error occurs at the machine, the current operation is interrupted and an error message is displayed. Depending on the gravity of the error displayed, an error-free operation can be achieved by adjusting, checking, different handling etc. If necessary, individual components must be replaced. For many of the error messages, the cause which led to the error is also displayed and will be helpful for error correction (see **chapter 14.02.01 Example of an error message**).

14.02.01 Example of an error message

In the following, an error when switching an output is displayed.



Fig. 14 - 01

If an error occurs when switching an output, the respective output is displayed with the desired switching state (0) or (1), (0) meaning that the output is to be switched off and (1) meaning that the output is to be switched on. The next line displays the cause which led to the mistake. In brackets the set condition for an error-free operation is displayed. In our example, the input E2.2 is thus not meant to be switched.

14.02.02 Errors - Sewing drive

If an error occurs during an operation with the sewing motor, the operation is canceled and an error message is displayed.

The error message is generated by the motor controller and appears on the display of the control panel; the index number is hexadecimal.

Number	Error
1	Transfer error
2	Timeout serial interface
3	Check sum error in received data
4	Timeout command
30h	Timeout slave expired (command string incomplete)
31h	Incorrect command code
32h	Framing or parity error
33h	Check sum incorrect
34h	Incorrect date on requests
35h	No parameters programmable (motor is in operation)
36h	Parameter does not exist
37h	Incorrect parameter value
38h	EEPROM is being programmed
39h	Incorrect machine speed
3Ah	Incorrect position
3Bh	Path for guided positioning too short
3Ch	Reset of the position counter not possible (motor is in operation)
3Dh	Rotating in TDC after power-on not permissible
3Eh	Synchronization marker not detected
3Fh	Target position <3 incr. away from count position
40h - 4Fh	-
50h	Power monitoring (failure of 2 power half waves)
51h	Malfunction power electronics on initializing
52h	Short-circuit in the motor
53h	Power off detected
54h	Malfunction power electronics when in operation
55h	No increments
56h	Motor blocks
57h	Commutating signal generator plug missing
58h	Increment signal generator plug missing
59h	Motor not running properly (set speed not achieved)
5Ah	-
5Bh	Feedback control algorithm is inhibited
5Ch - 69h	-
6Ah	EEPROM not programmable
6Bh	EEPROM missing
6Ch	Master Reset carried out
6Dh	-
6Eh	Remaining path for path-monitored, guided delay ramp too small
6Fh	Slave has received 5 garbled messages in a row
70h	Time monitoring system expired
71h - FFh	-

14.02.03 Errors - Stepping motor drive

If problems occur with the stepping motor drive during the operation, an error might have occurred in the stepping motor controller.

The error message is indicated by LEDs on the stepping motor controller.

LED	Meaning
01 ROT. ERROR	goes out when <ul style="list-style-type: none"> - the motor blocks - the stepping motor amplifier is not ready - the Enable input is not activated - a breakage has occurred in the supply and/or blocking detection line
06 READY	is lit when <ul style="list-style-type: none"> - the amplifier is driven correctly - the supplied voltage is in the rated range
07 FAULT	lights up if a short-circuit occurs between two motor phases
08 TEMP	lights up if the temperature at the cooling device is too high (> 75 °C)
09 OVER-VOLT	lights up if there is an over-voltage (>400 V) during braking
10 LOW-VOLT	lights up if there is a low voltage (<200 V)
09 + 10	are lit if the Enable input is not activated

Additional problems

Problem	Cause	Correction
no LEDs are lit	- supply voltage missing	check supply voltage
	- supply voltage incorrect	connect properly
motor is not rotating and does not have a holding torque	- signal input current controller active	set input to inactive
	- signal input Enable not active	
	- motor connected incorrectly	connect properly
motor is not rotating but does have a holding torque	- signal input gate active	set input to inactive
	- signal input pulse	correct timing and voltage level
motor is rotating unevenly	- signal inputs pulse and direction	correct timing and voltage level
	- overload	check load conditions
	- motor defunct	replace motor
motor is rotating in the wrong direction	- motor phases connected the wrong way round	connect motor phases properly
	- signal input direction incorrectly set	correct rotary direction
motor has too little momentum	- motor phase current incorrectly set	choose the correct phase current

14.02.04 Errors - Stacker drive

If problems occur with the stacker drive during operation, an error might have occurred in the motor drive.

In this case, a flashing LED on the motor controller indicates the error.

H1(yellow) flashes	Condition/ cause	Correction/ Comment
once _____ _____	processor error	switch the mains off and back on again (Reset)
twice _____ _____	power off low voltage	flashes until UZK <65V, automatic reset
three times _____ _____	power off due to overcurrent $I > 180\% I_N$ short-circuit	check drive/motor cable
four times _____ _____	overcurrent or motor acts as generator	check mains, check drive
five times _____ _____	I*t power off motor	motor overloaded, check drive
six times _____ _____	I*t power off frequency converter	frequency converter overloaded, check drive
seven times _____ _____	motor temperature too high	check bridge X5/10-11 motor overloaded
eight times _____ _____	frequency converter temperature too high	frequency converter overloaded, check mounting conditions
nine times _____ _____	Error in the EEPROM	switch mains off and on again (Reset)

14.02.05 Errors - Disk drive

If an error at the disk drive occurs during an operation, the operation is canceled and an error message is displayed. The error message is given out by the disk drive. Some errors are displayed in clear text, others are given in number form (decimal).

Number	Error
1	transfer error serial interface
2	incorrect command
3	syntax error
4	invalid character in the data field
5	invalid disk drive number
6	disk has no name
7	sector not found
8	file concatenation incorrect
9	sector with incorrect check sum
10	file not found
11	write error
12	disk or file write-protected
13	disk full
14	disk directory full
15	overwrite an existing file (warning)
16	drive not ready or no drive selected
17	read error from disk
18	wrong disk format
19	formatting error
20	disk change with format change
21	internal error

14.02.06 Errors - Stitch generation










If an error occurs during the calculation of the stitch data, the operation is canceled and an error message will be displayed. The error message appears in clear text and possibly with a number in brackets. This number indicates the section where the error occurred.


Additionally, errors may occur which have not been assigned a special text. Please refer to the following table for the meaning of the error number.

Number	Error
0	No Error
1	Wrong machine code in geometrical data record
2	Section clamp or section obstacle is missing or at the wrong place
3	Increment too large
4	Program end without trimming
5	Stitch length inadmissible
6	Wrong element in the geometrical data record
7	Fast slew although machine is sewing
8	Stitch length inadmissible (line)
9	Stitch length inadmissible (circle)
10	Circle point = circle end point
11	Division by 0
12	Stitch length inadmissible (curve)
13	No coordinate section in front of the curve point
14	Sewing area exceeded
15	Curve without end point
16	Machine functions buffer full
17	Start sewing command in the loading position program
18	Wrong curve point
19	Wrong curve point
20	Wrong curve point
21	Wrong curve point
22	Stitch length not initialized
23	Loading position program not finished
24	Stitch width command in the loading position program
25	Value not permissible for section stitch direction
26	Trimming command although thread has been trimmed
27	Start sewing command, although machine is sewing
28	Trimming command in the Sewing-Off area
29	Sewing-Off command, although thread has been trimmed
30	Trimming command immediately after Start Sewing command

14.03 Tables

14.03.01 Tables for lock/release functions

Ref. no.	Function
0	 Program station A
1	 Program station B
2	 Program number selection / Station keys programming
3	 Automatic change of program station
4	 Frame up / down
5	 Bobbin thread functions
6	RESET STITCH-COUNTER
7	BOBBIN-THREAD PRESELECT
8	 Head functions
9	STITCH LENGTH
10	MAXIMUM SPEED
11	REDUCED SPEED
12	DELAY ZIGZAG ON
13	DELAY ZIGZAG OFF
14	SEWING
15	 Folder functions
16	INTERMEDIATE STOP
17	UNI-MATERIAL
18	BASIC POSITION POCKET PLATE
19	ALTERNATING FOLDING
20	ALTERNATING LABELLING
113	EDGE FOLDER CONFIGURATION
21	CHANGE PART SET
22	 Parts program functions
23	ROLLING DIRECTION STACKER
24	SLOW ROLLING TIME STACKER
25	FAST ROLLING TIME STACKER
109	TIME FOR STACK TRESTLE BACK
26	TIME FOR EDGE FOLDERS BACK
27	TIME FOR POCKET PLATE UP
28	FEED SPEED
29	SEAM CORRECTION X
30	SEAM CORRECTION Y
115	STACKER

Ref.no.	Function
31	 Input menu
32	PROGRAM MANAGEMENT
33	DIRECTORY
34	DIRECTORY OF MEMORY
35	DIRECTORY OF DISK
36	READ / WRITE PROGRAM
37	READ ONE PROGRAM FROM DISK
38	READ ALL PROGRAMS FROM DISK
39	WRITE ONE PROGRAM ON DISK
40	WRITE ALL PROGRAMS ON DISK
41	DELETE PROGRAM
42	DELETE ONE PROGRAM IN MEMORY
43	DELETE ALL PROGRAMS IN MEMORY
44	DELETE ONE PROGRAM ON DISK
45	DELETE ALL PROGRAMS ON DISK
46	FORMAT DISK
47	STATISTICAL PROGRAM DATA
48	DATA TRANSFER WITH PC
49	CREATE / MODIFY PROGRAM
50	COUNTER
51	RESET PIECE-COUNTER
52	THREAD MONITOR
53	SURPR.ST. NEEDLE THREAD MON.
54	SURPR.ST. BOBBIN THREAD MON.
55	STITCH REVERSAL
111	RESPONSE TIME, NEEDLE-THREAD MONITOR
56	SLOW START-STITCHES
57	CARRIAGE START (NIS)
58	START FOR THREAD TRIMMING
59	SWITCH FUNCTIONS
60	THREAD MONITOR
61	NEEDLE THREAD MONITOR
62	BOBBIN THREAD MONITOR
63	BOBBIN THREAD SENSOR

Indexnumber	Function
64	LANGUAGE SELECTION
65	GERMAN
66	ENGLISH
67	FRENCH
68	SPANISH
69	ITALIAN
112	POLISH
114	TURKISH
70	OPTIONS
71	TILT HEAD (BEDPLATE)
72	JIG MONITOR
73	FOLDER VERSION
74	LABEL FEED
75	JIG VERSION
76	CONTINUOUS CARRIAGE MOVEMENT
77	LOCK / RELEASE FUNCTIONS
78	TIMES
110	TIME FOR LABEL CLAMP CLOSED
79	SERVICE
80	SEWING DRIVE FUNCTIONS
81	TURN SEWING MOTOR
82	THREAD TRIMMING PROCEDURE
83	CUTTING SPEED - PRE-SEL.
84	STEPPING MOTOR FUNCTIONS
85	STEPPING MOTOR 1
86	STEPPING MOTOR 2
87	MOVE CARRIAGE
88	TEST CARRIAGE
89	SWITCH OUTPUTS
90	DISPLAY INPUTS / OUTPUTS
91	ADJUST ZERO POINT
92	GAUGE POSITION
93	NEEDLE POSITION
94	FOLDER POSITION

Indexnumber	Function
95	CONFIGURE MACHINE
96	TILTABLE HEAD
97	VERTICAL HOOK
98	JIG MONITOR
99	LABEL FEED
100	HEIGHT ADJUSTMENT
102	OTHER FUNCTIONS
103	WRITE MACHINE DATA ON DISK
104	READ MACHINE DATA FROM DISK
105	CARRY OUT COLD START
106	DISPLAY SOFTWARE STATUS
107	CONTRAST SETTING OF DISPLAY
108	CHANGE CODE NUMBER

14.03.02 Table of machine data (MDAT)

The following input functions are stored:

	program station A program station B parts program number automatic program change
Bobbin thread functions:	bobbin thread pre-select
Head functions:	maximum speed reduced speed delay zigzag on delay zigzag off sewing
Folder functions:	intermediate stop uni-material basic position pocket plate alternating folding alternating labelling Edge folder configuration
Parts program functions: (all 20 parts programs)	rolling direction stacker slow rolling time stacker fast rolling time stacker Time for stack trestle back time for edge folders back time for pocket plate up feed speed seam correction X seam correction Y Stacker
Counter:	surpressed stitches needle thread monitor surpressed stitches bobbin thread monitor stitch reversal Response time, needle-thread monitor slow start-stitches carriage start (NIS) start for thread trimming
Switch functions:	needle thread monitor bobbin thread monitor bobbin thread sensor language selection tilt head (bedplate) jig monitor folder version label feed Jig version flap continuous carriage movement lock/release functions
Times:	Time for label clamp closed
Service:	cutting speed pre-select code number

14.03.03 Tables of outputs

Node A11/X300

Output	Denomination	Index number
OUT1	Y1.1 pocket plate forwards	0
OUT2	Y1.2 pocket plate backwards	1
OUT3	Y2.1 pocket plate up	2
OUT4	Y2.2 pocket plate down	3
OUT5	Y3 lift pocket plate on	4
OUT6	K4 Pocket-die solenoid on	5
OUT7	not assignet	6
OUT8	Y5.1 folder up	7
OUT9	Y5.2 folder down	8
OUT10	Y6 corner folder forwards	9
OUT11	Y7 folder plate 1 forwards	10
OUT12	Y8 folder plate 2 forwards	11
OUT13	Y9 folder plate 3 forwards	12
OUT14	Y10 air suction on	13
OUT15	Y35.1 jig up	14
OUT16	Y35.2 jig down	15

Node A12/X300

Output	Denomination	Index number
OUT1	Y30 presser foot down/ thread trapper up	16
OUT2	Y31.1 lift head	17
OUT3	Y31.2 lower head	18
OUT4	K32 thread tension is released	19
OUT5	Y34 air blast needle cooling system on	20
OUT6	Y36 zig-zag on (prog. output 3)	21
OUT7	Y37 secondary tension on (prog. output 5)	22
OUT8	not assignet	23
OUT9	Y50 roller down	24
OUT10	Y51 retaining clamp up	25
OUT11	Y52 stacker frame back	26
OUT12	Y33 thread trimming on	27
OUT13	prog. output 1	28
OUT14	prog. output 2	29
OUT15	Y39 On subclass -04/020: bobbin cover open	30
OUT15	Y39.2 On subclass -02/020: bedplate up	30
OUT16	Y39.1 On subclass -02/020: bedplate down	31

Node A13/X300

Ausgang	Bezeichnung	Index number	
OUT1	ETSTART	start label feed	32
OUT2	Y11	no pressure on label retaining clamp or it is open (on edge folder version 4: swivel edge folders 3)	33
OUT3	Y12	flap positioning on / variable sewing slot narrow	34
OUT4	Y13	flap positioning off/ variable sewing slot wide	35
OUT5		not assigned	36
OUT6	BOBRES	reset for bobbin thread monitor	37
OUT7		not assigned	38
OUT8	Y40	hook lubrication on	39
OUT9	STR	start stacker motor clockwise	40 (S)
OUT10	STL	start stacker motor anti-clockwise	41 (S)
OUT11	S1IND	stacker motor frequency 1	42 (S)
OUT12	S2IND	stacker motor frequency 2	43 (S)
OUT13	K53	height adjustment for frame on	44
OUT14		not assigned	45
OUT15		not assigned	46
OUT16		not assigned	47

Special jobs
Node A13/X300

Output	Denomination	Index number	
OUT9	STR	stacker motor slowly forwards	48
OUT10	STL		
OUT11	S1IND		
OUT12	S2IND		
OUT13	K53		
OUT9	STR	stacker motor slowly backwards	49
OUT10	STL		
OUT11	S1IND		
OUT12	S2IND		
OUT13	K53		
OUT9	STR	stacker motor fast forward	50
OUT10	STL		
OUT11	S1IND		
OUT12	S2IND		
OUT13	K53		
OUT9	STR	frame up	51
OUT10	STL		
OUT11	S1IND		
OUT12	S2IND		
OUT13	K53		
OUT9	STR	frame down	52
OUT10	STL		
OUT11	S1IND		
OUT12	S2IND		
OUT13	K53		

14.03.04 Tables of inputs

Node A11/X400

Input	Denomination	
IN1	E1.1	pocket plate at front
IN2	E1.2	pocket plate at rear
IN3	E2.2	pocket plate down
IN4		not assigned
IN5		not assigned
IN6	E5.1	folder up
IN7	E5.2	folder down
IN8	TSAUG	Suction key, inserting function switch
IN9	TDOPP1	double-start key 1
IN10	TDOPP2	double-start key 2
IN11	E35.1	jig up
IN12	E35.2	jig down
IN13	PRESS	air pressure o.k.
IN14	FKEY	key for secured functions
IN15	TSSTOP	separate stop key
IN16	AC_OK	Line voltage within set range

Node A12/X400

Input	Denomination	
IN1	E30	presser foot up
IN2	E31.1	head lifted
IN3	E31.2	head lowered
IN4	THERR	needle thread disturbance
IN5		programmable input 1
IN6		programmable input 2
IN7	E39.2	On subclass -02/020: bedplate up
IN7	E39.2	On subclass -04/020: free
IN8	E39.1	On subclass -04/020 - bobbin cover closed
IN9	E50.1	roller up
IN10	E50.2	roller down
IN11		not assigned
IN12		not assigned
IN13	E52	stacker frame at rear
IN14	SM1LIMIT	zero position SM1
IN15	SM2LIMIT	zero position SM2
IN16		not assigned

Node A13/X400

Input	Denomination
IN1	JIGCODE Bit 0
IN2	. Bit 1
IN3	. Bit 2
IN4	. Bit 3
IN5	. Bit 4
IN6	. Bit 5
IN7	. Bit 6
IN8	. Bit 7
IN9	BOBERR bobbin thread disturbance
IN10	ETERR label feed error
IN11	ETRDY label feed completed
IN12	ETINKL label in clamp
IN13	E14 Jig with obstacles
IN14	E12.1 Flap position switched on (flap version 2)
IN14	E12.2 flap positioning off / sewing slot wide (flap version 1)
IN15	E54.1 frame up
IN16	E54.2 frame down

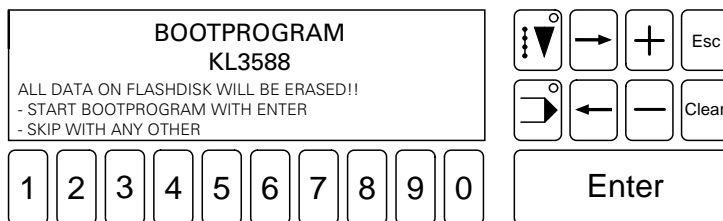
14.04 Updating the software

- Switch off the on/off switch.
- Insert the disk with the new software (bootdisk "K3588Boot1" – machine software) in the disk drive.
- Remove the switch cabinet cover.

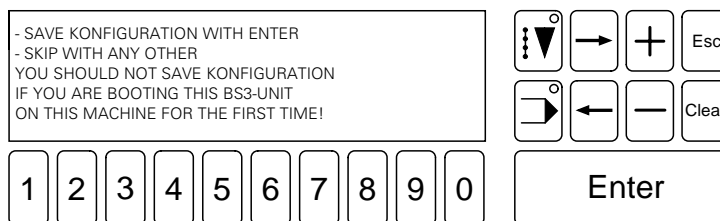


Only have this work carried out by properly trained personnel! Do not touch any live parts! Danger from electric voltage!

- Press key 1 (accessible through hole) and hold it in this position.
- Switch on the on/off switch..

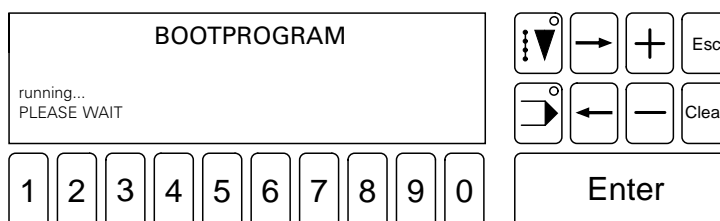


- With Enter all seam patterns are deleted and the boot program continued.
- To interrupt the boot program press another key.

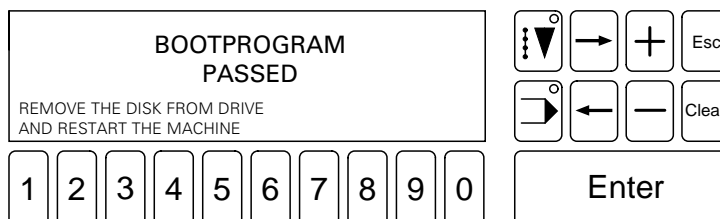


- Press **Enter** to save the configuration data and continue the booting procedure (e.g. for a software update).

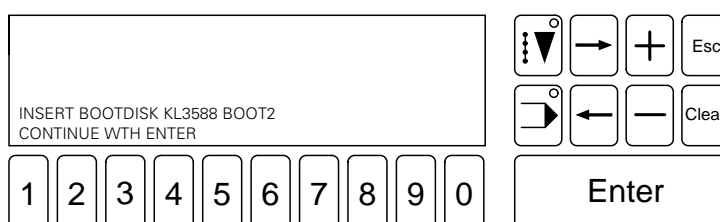
Press any other key on the control panel to delete the configuration data (e.g. when replacing a BS3).



- Boot program is running..
please wait.
- The boot data is displayed.



- Remove the disk from the disk drive and restart the machine.



- If this display appears on the screen after the restart, insert BOOTDISK "K3588BOOT2"
– BS3-firmware in the disk drive and confirm with Enter.

Reference list

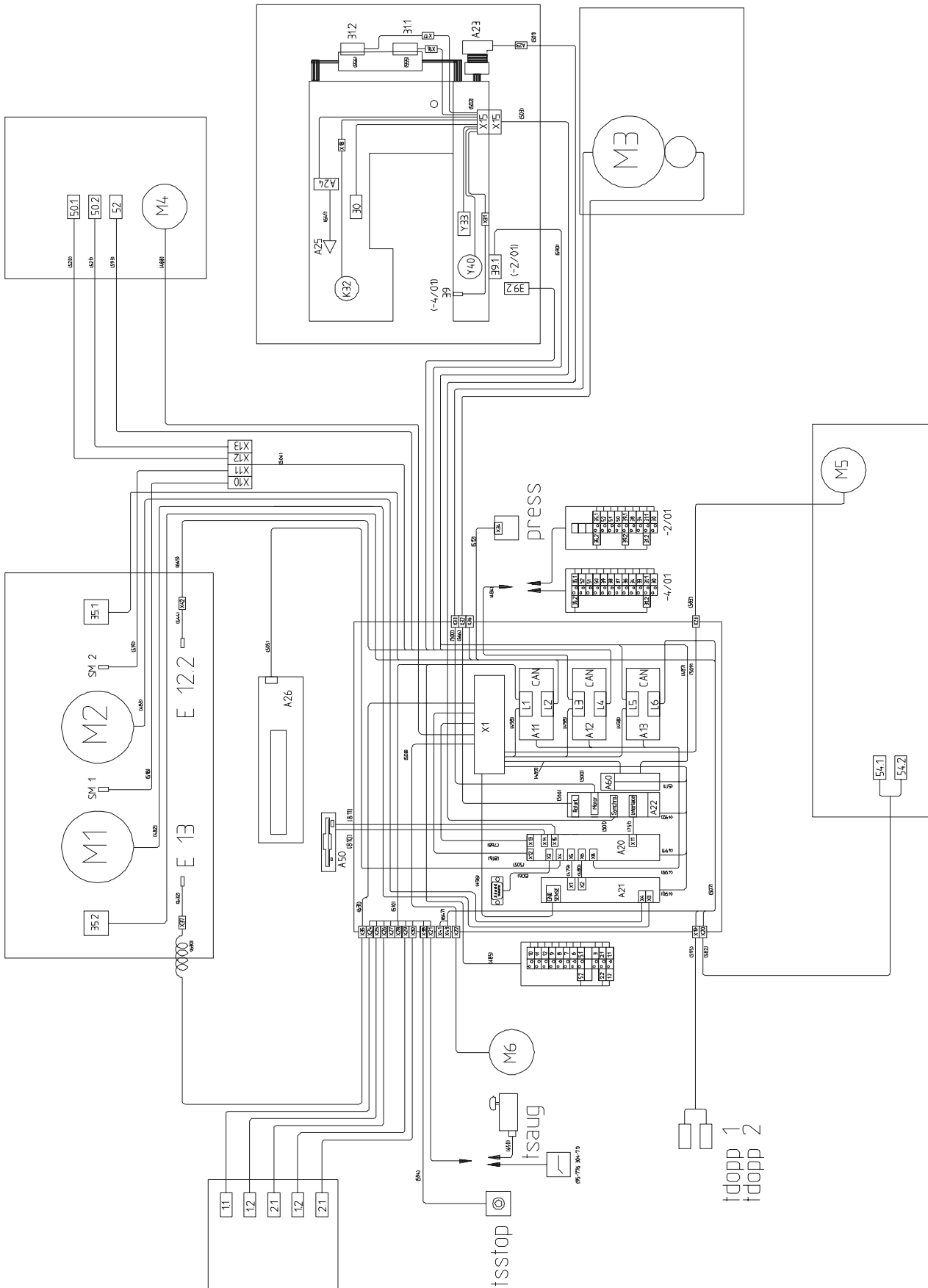
M1	Stepping motor 1	71-5200-0517
M2	Stepping motor 2	71-5200-0517
M3	Sewing motor	71-5235-5534
M4	Stacker motor	71-5200-0519
M5	Height-adjustment motor	71-5200-0520
M6	Vacuum blower motor -2/01	71-9100-0051
M6	Vacuum blower motor -4/01	71-9100-0052
M7	Fan - control box	71-9100-0035
A11	CAN node 1	91-291 362-96
A12	CAN node 2	91-291 362-96
A13	CAN node 3	91-291 362-96
A20	Controller BS 3	71-7500-0247
A21	Stepping motors amplifier, BERGER	71-7500-0221
A22	Sewing motor amplifier, QUICK	71-5900-0711
A23	Synchronizer	71-1400-0041
A24	Needle thread monitor, monitoring results	71-7100-0079
A25	Needle thread monitor, sensor	71-7100-0080
A26	Control panel	71-7500-0219
A60	Frequency converter, LUST	71-7500-0209
K4	Pocket-die solenoid	95-745 527-05
K32	Thread tension is released	91-291 133-91
K53	Switching relay, height adjustment / stacker	71-1900-0060
K54	Voltage supervision relay	71-7100-0082
Z1	Line filter	71-4800-0012
E1	Sewing lamp	71-2500-0358
T1	Transformer for sewing lamp	71-5500-0231
C1	Capacitor for M6 (-4/01)	71-4100-0110
Q1	On/off switch	71-1100-0307

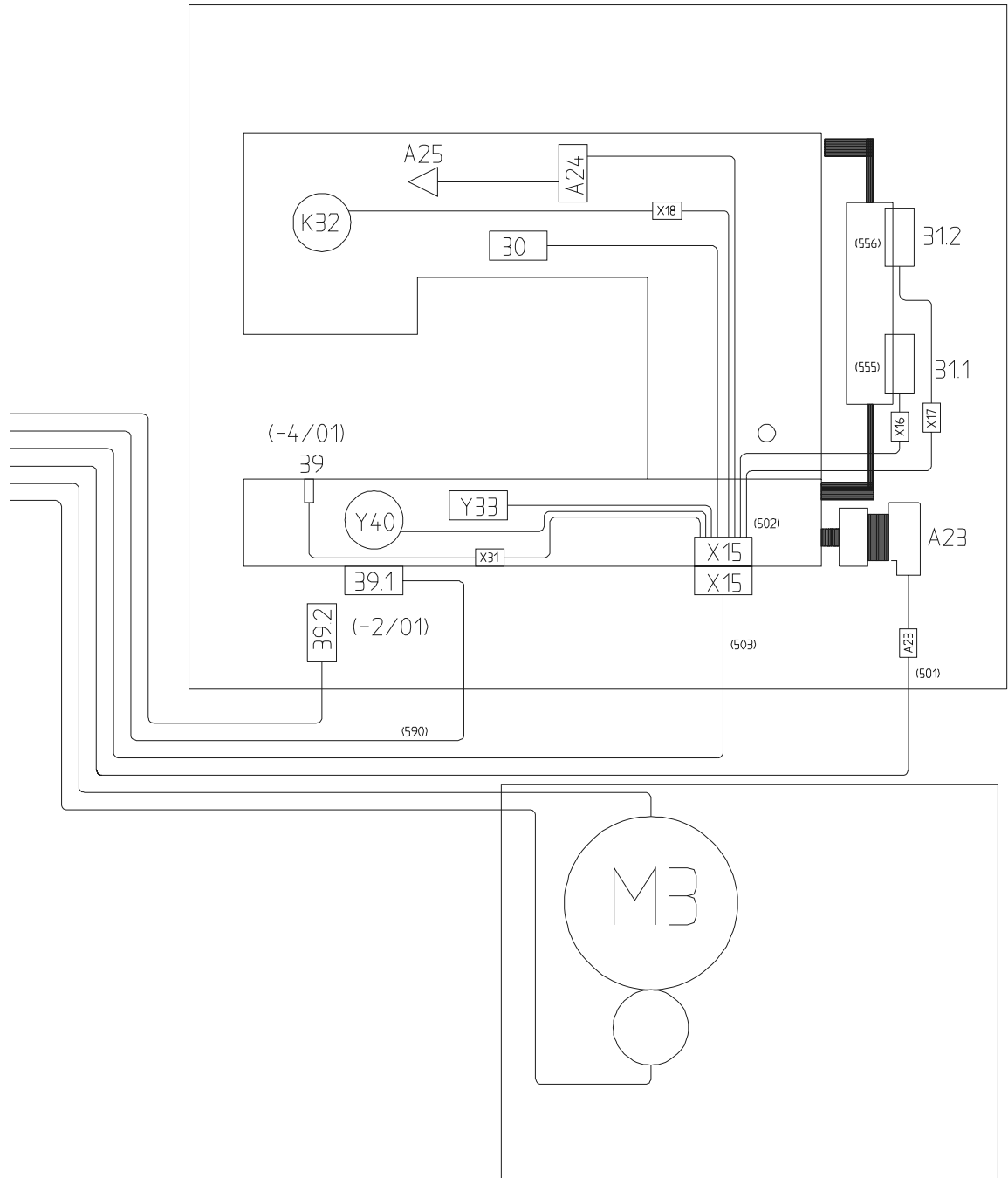
E1.1	Pocket plate at front
E1.2	Pocket plate at rear
E2.2	Pocket plate down
E5.1	Folder up
E5.2	Folder down
E12.2	Flap position off / sewing slot wide
E13	Linkage monitoring
E14	Jig with obstacles
E30	Presser foot up
E31.1	Sewing head lifted
E31.2	Sewing head lowered
E35.1	Jig up
E35.2	Jig down
E39	Bobbin cover closed
E39.1	Bedplate down
E39.2	Bedplate up
E50.1	Roller down
E50.2	Roller up
E52	Stacker frame at front
E54.1	Frame up
E54.2	Frame down
in1	Programmable input 1
in2	Programmable input 2
sm1limit	Neutral position SM1
sm2limit	Neutral position SM2
tdopp1	Double-start key 1
tdopp2	Double-start key 2
tsaug	Suction key (inserting function switch)
press	Air pressure OK
fkey	Key (for secured functions)
tsstop	Separate stop key
therr	Needle thread disturbance
boberr	Bobbin thread disturbance
eterr	Label feed error
etrdy	Label feed completed
etinkl	Label in clamp
jigcode	Jig code

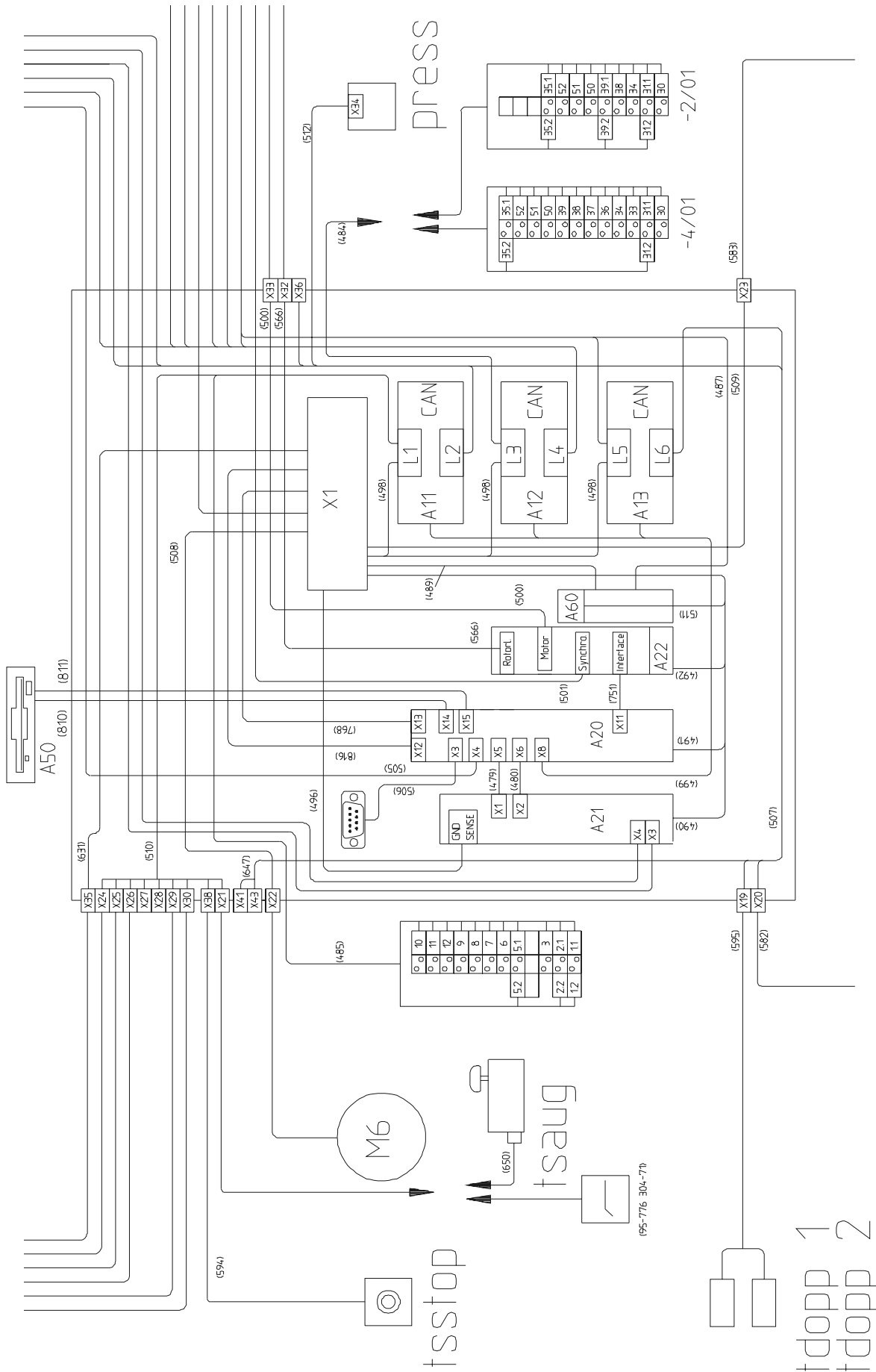
Connections

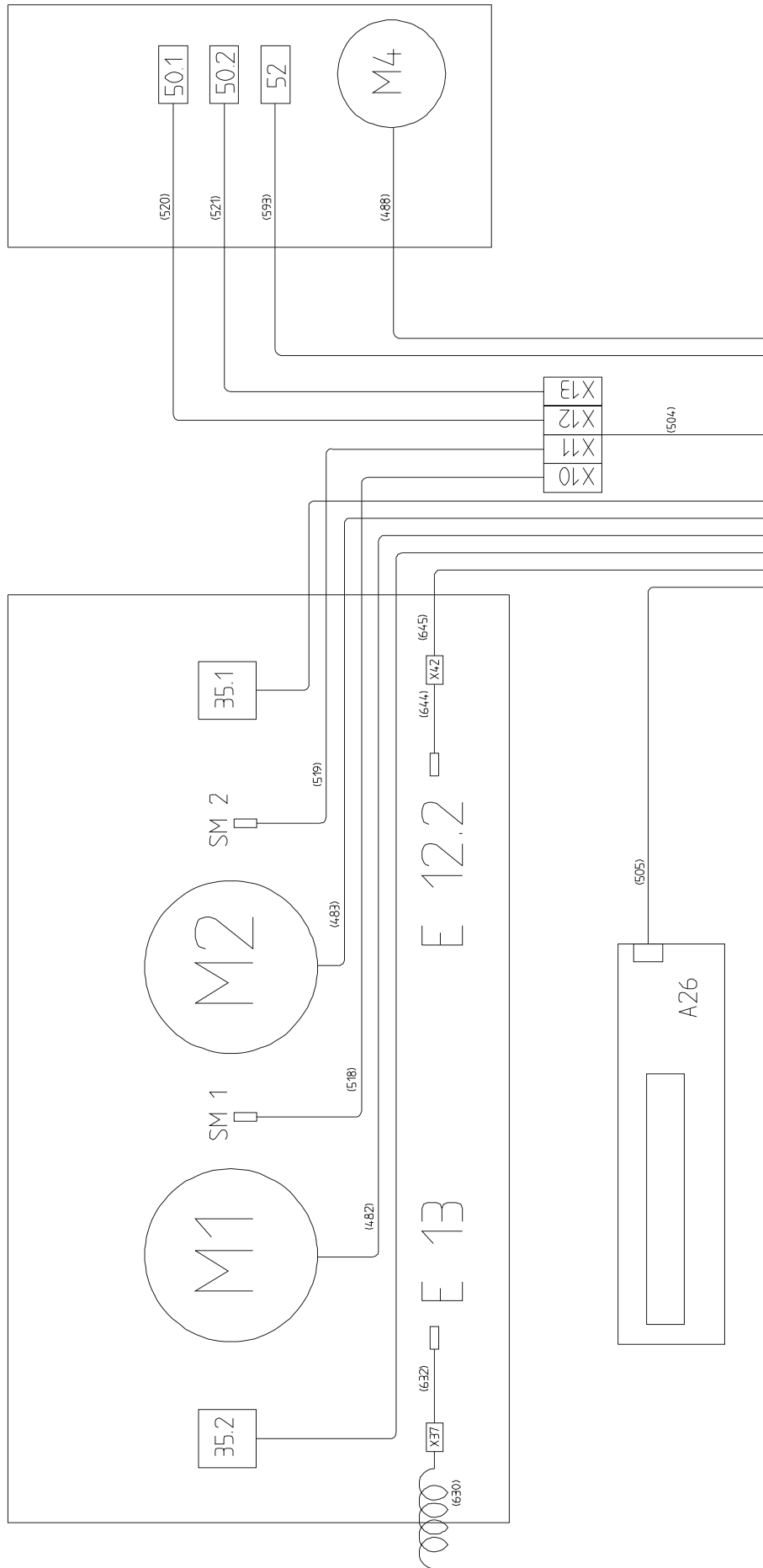
X1	Distribution strip 230 V and 24 V
X10	Neutral position SM1
X11	Neutral position SM2
X12	Feed roller down (stacker)
X13	Feed roller up (stacker)
X15	Central electric plug sewing head
X16	E31.1 (sewing head lifted)
X17	E31.2 (sewing head lowered)
X18	K32 (Thread tension is released)
X19	tdopp1 and tdopp2 (double-start keys)
X20	E54.1 and E54.2 (frame up/down)
X21	tsaug (inserting function switch - suction key)
X22	M6 (vacuum blower motor)
X23	M5 (height adjustment)
X24	E1.1 (folder)
X25	E1.2 (folder)
X26	E2.2 (folder)
X27	E4.1 (folder)
X28	E4.2 (folder)
X29	E5.1 (folder)
X30	E5.2 (folder)
X31	E39 (bobbin cover opens)
X32	Rotor position
X33	Sewing motor
X34	press (air filter/lubricator unit)
X35	Linkage monitoring
X36	fkey (key for secured function)
X37	E13 (linkage monitoring)
X38	Separate stop key
X39	E35.2 jig down
X40	E35.1 jig up
X41	etinkl Label in clamp
X42	E12.2 Flap positioning / variable sewing slot
X43	E12.2 Flap positioning / variable sewing slot

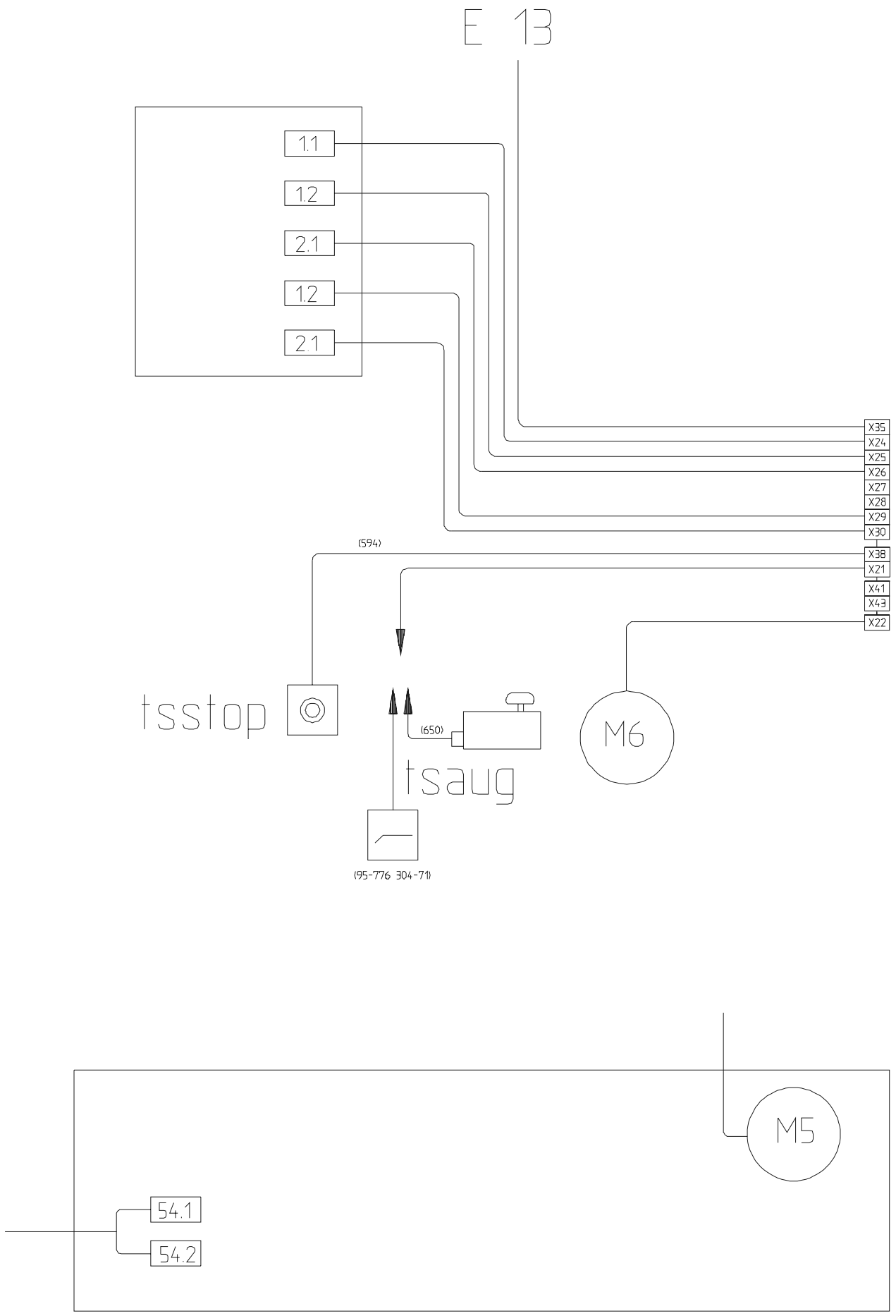
Y1.1	Pocket plate at front
Y1.2	Pocket plate at back
Y2.1	Pocket plate on
Y2.2	Pocket plate off
Y3	Pocket plate airing on
Y5.1	Folder up
Y5.2	Folder down
Y6	Corner folder at front
Y7	Edge folder 1 at front
Y8	Edge folder 2 at front
Y9	Edge folder 3 at front
Y10	Suction on
Y11	No pressure on label retaining clamp, or it is open
Y12.1	Flap positioning on / var. sewing slot narrow
Y12.2	Flap positioning off / var. sewing slot wide
Y30	Presser foot up / Thread trapper up
Y31.1	Raise head (arm)
Y31.2	Lower head (arm)
K32	Thread tension release on (Thread tens. up)
K33	Thread cutting on (vertical hook system)
Y33	Thread cutting on (horizontal hook system)
Y34	Air blast / needle cooling on
Y36	Zigzag on (programmable output 3)
Y37	Additional thread tension (prog. output 4)
Y39	Bobbin cover open
Y39.1	Bedplate off
Y39.2	Bedplate on (tilt)
Y40	Oiling on
Y50	Roller off
Y51	Clamp strap on
Y52	Stacker stand at front
K53	Frame height adjustment on
A60.3	LUST-converter „STR“
A60.4	LUST-converter „STL“
A60.5	LUST-converter „S1 ind“
A60.6	LUST-converter „S2 ind“
A60.7	LUST-converter „GND“

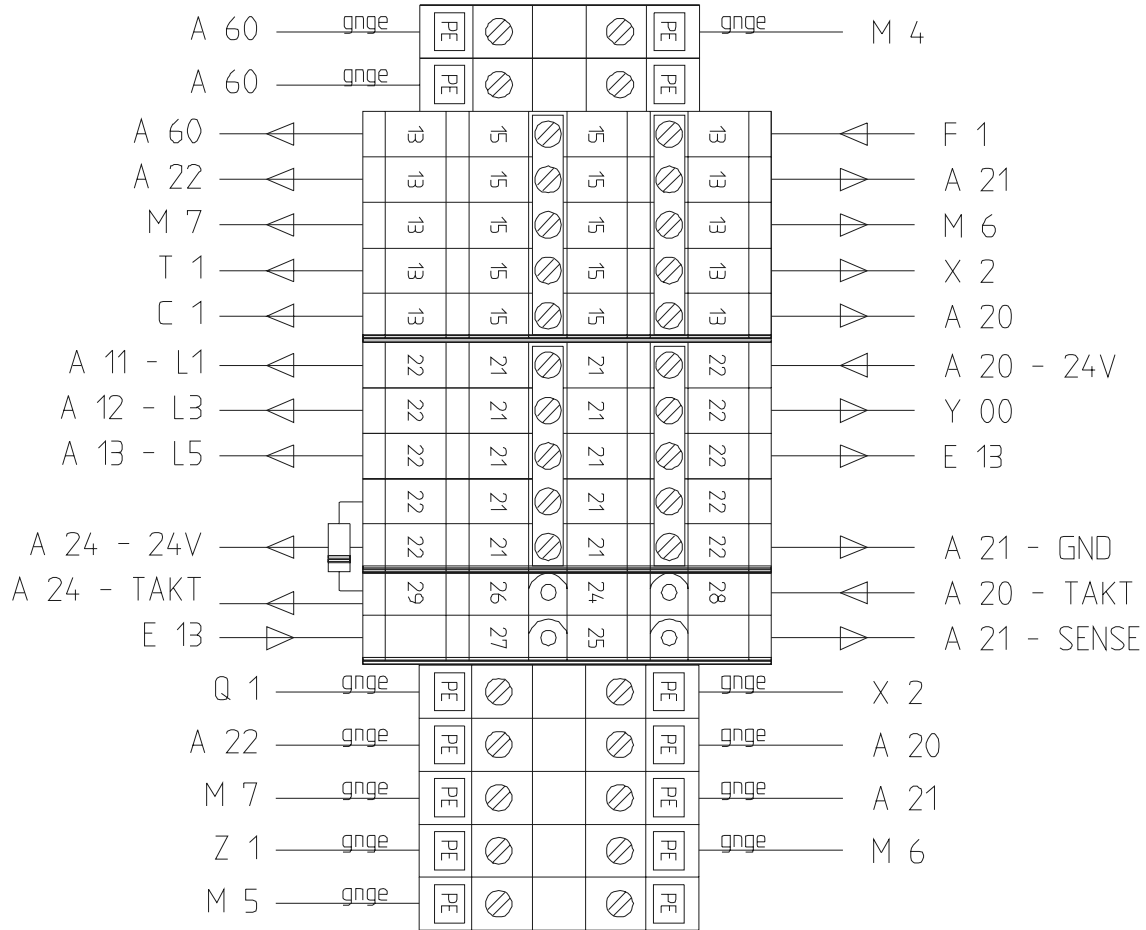










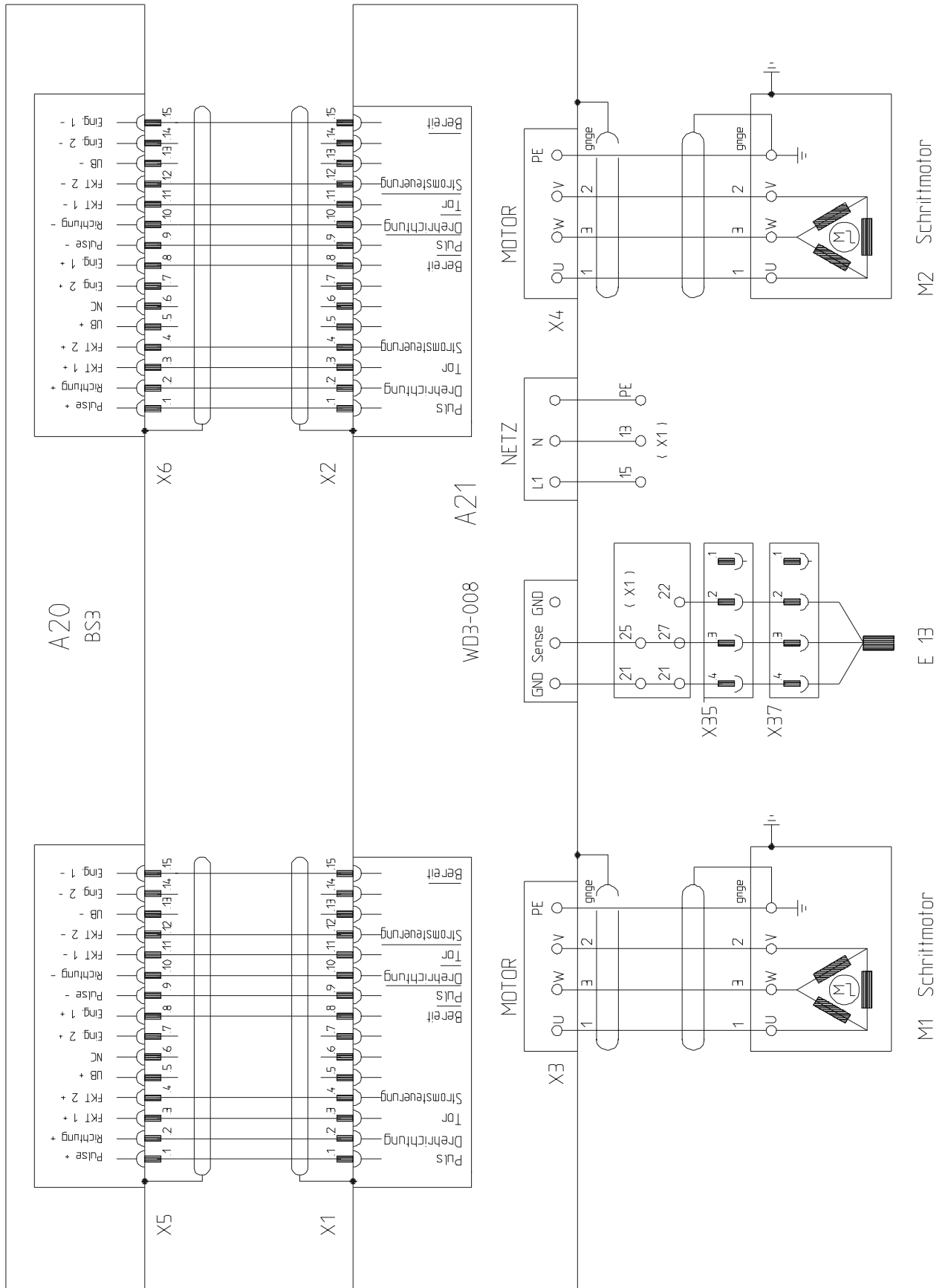


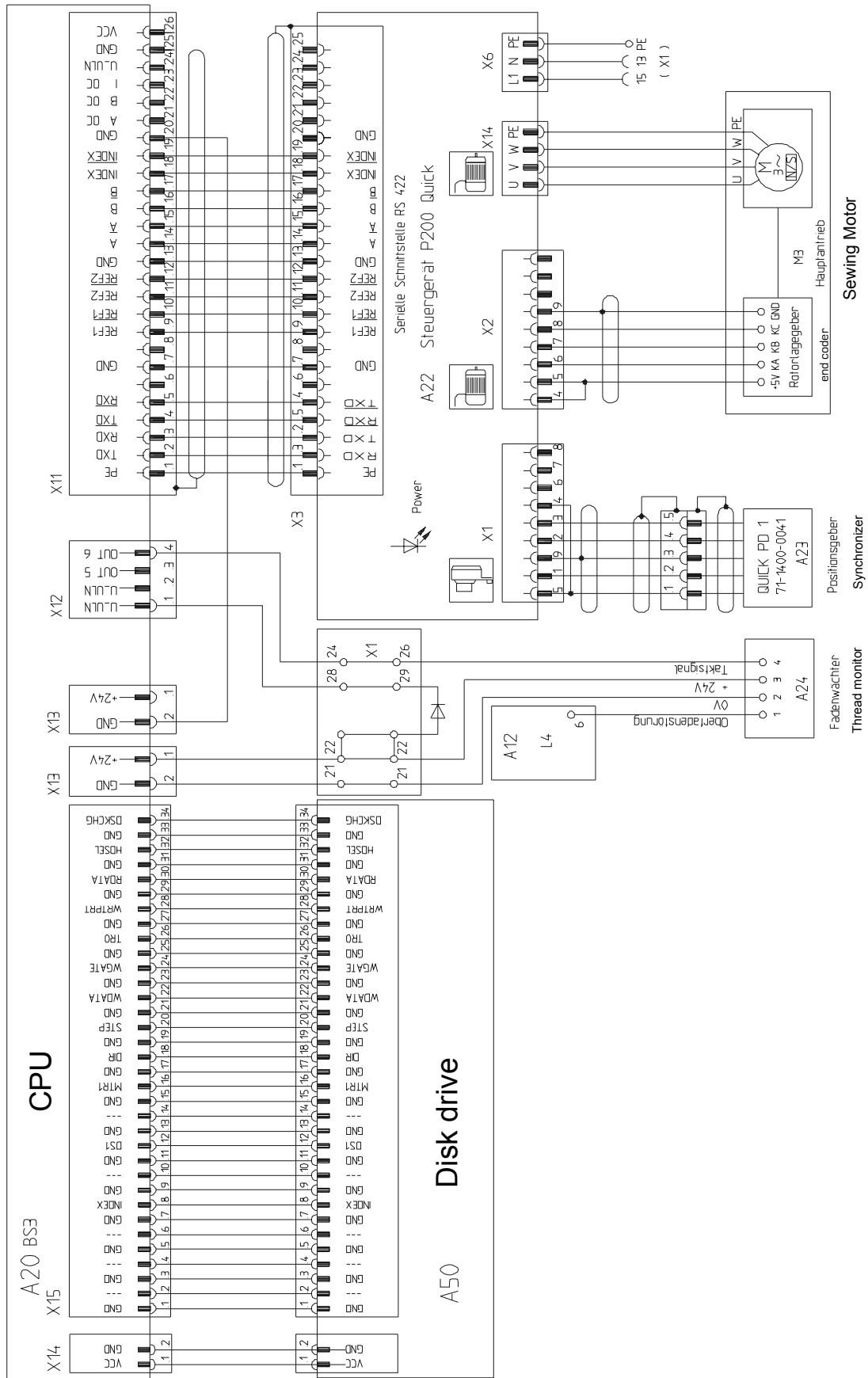
13 = N (230V)

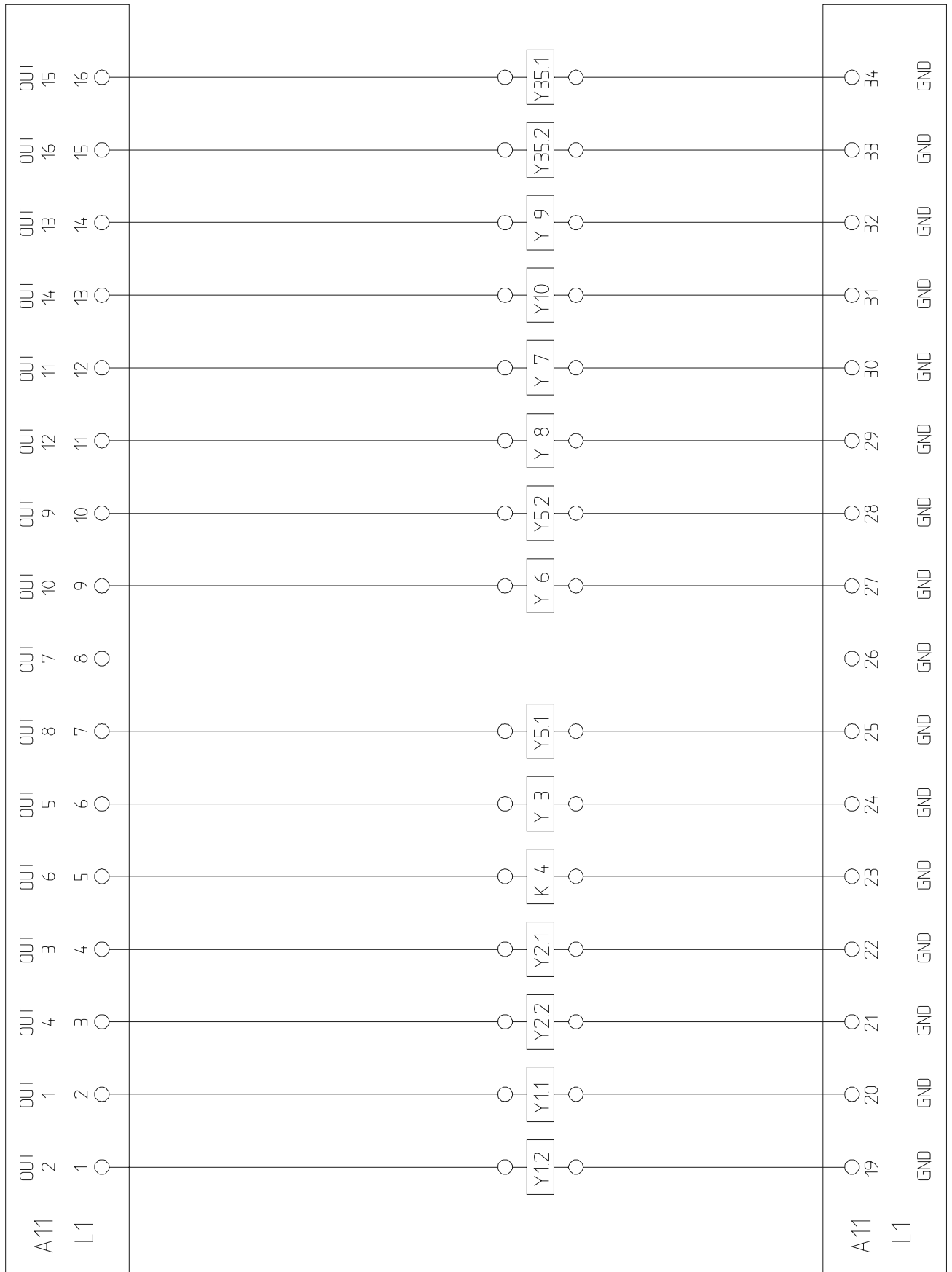
15 = L (230V)

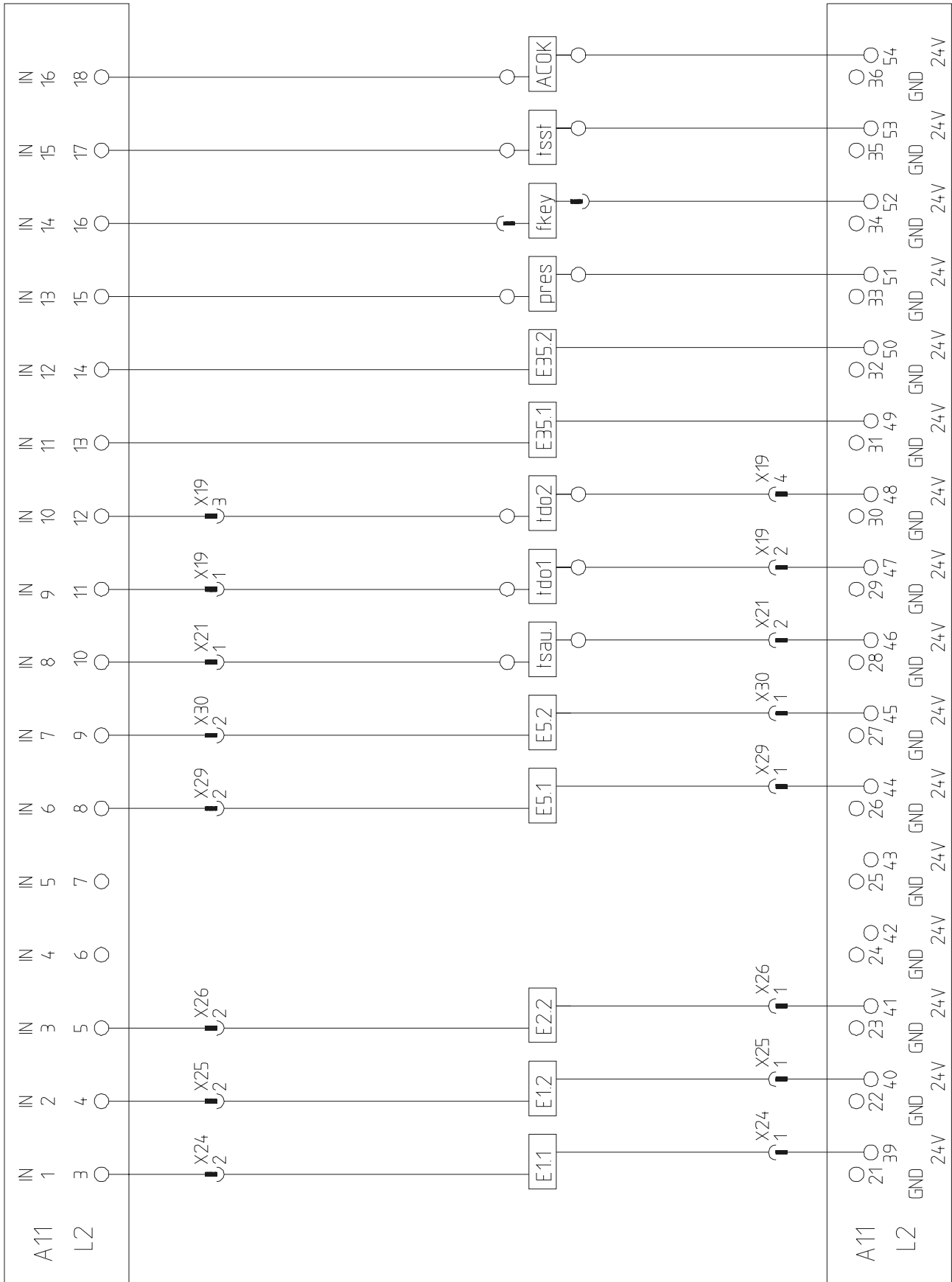
21 = GND (24V)

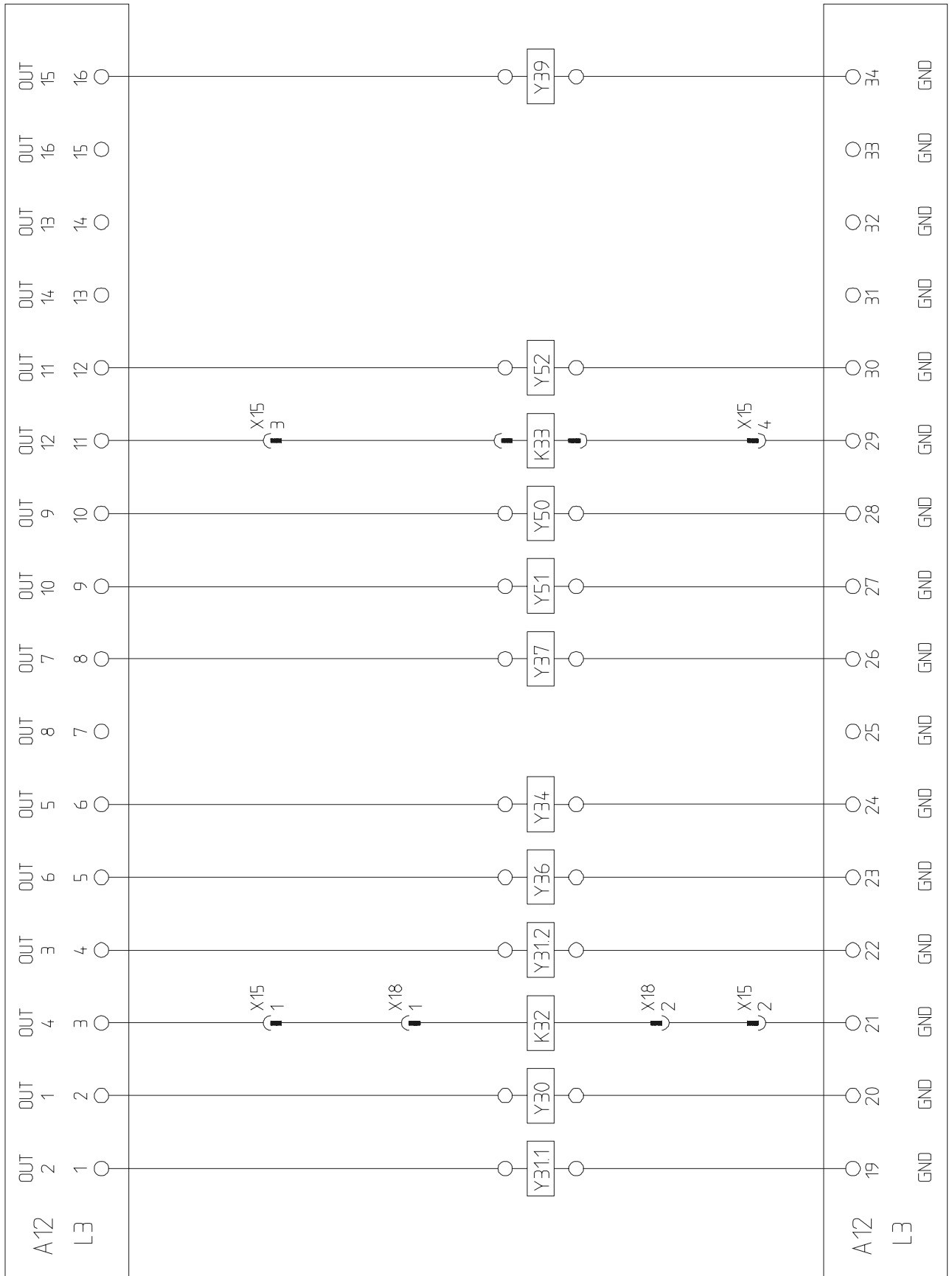
22 = +24V

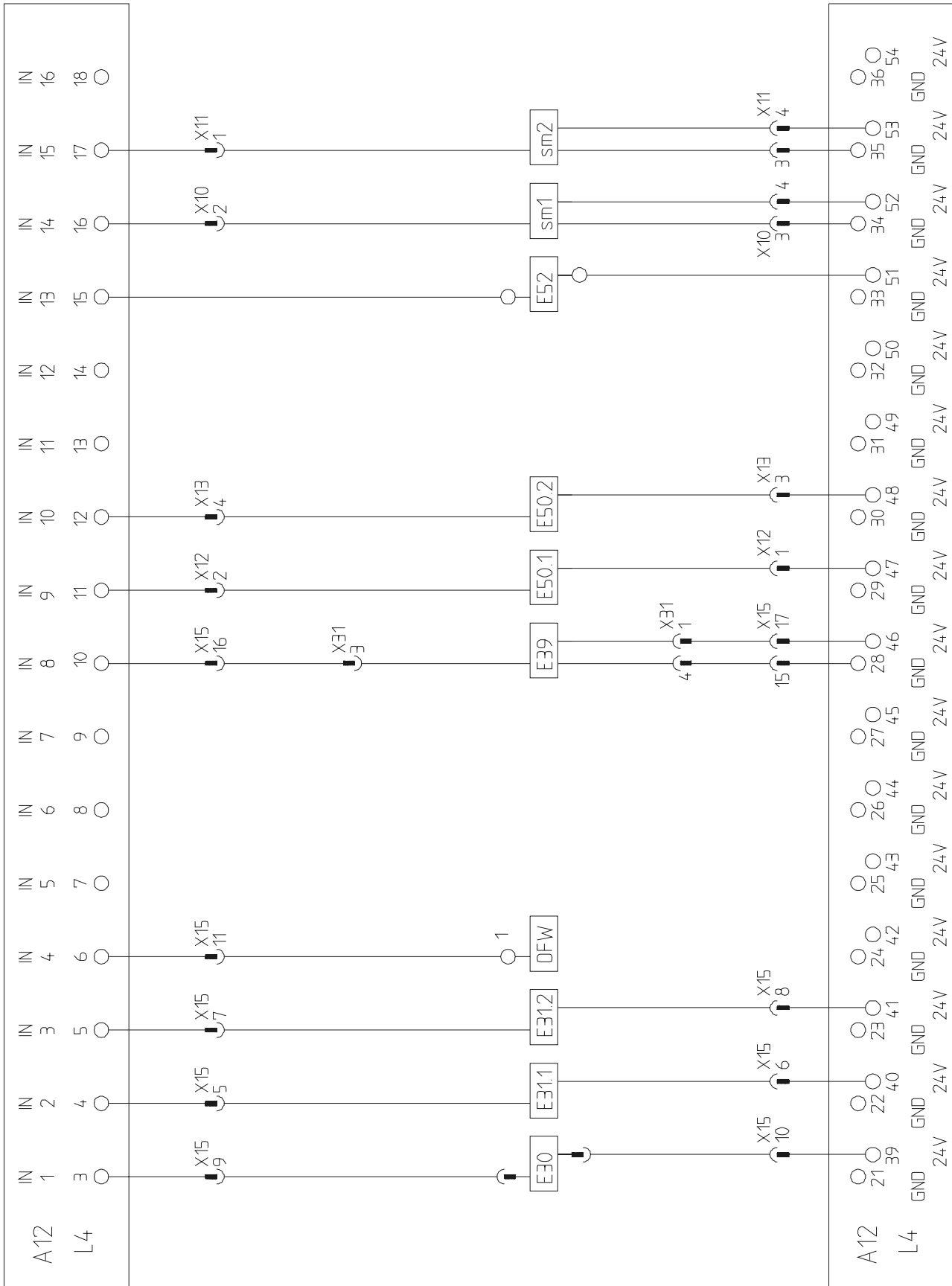


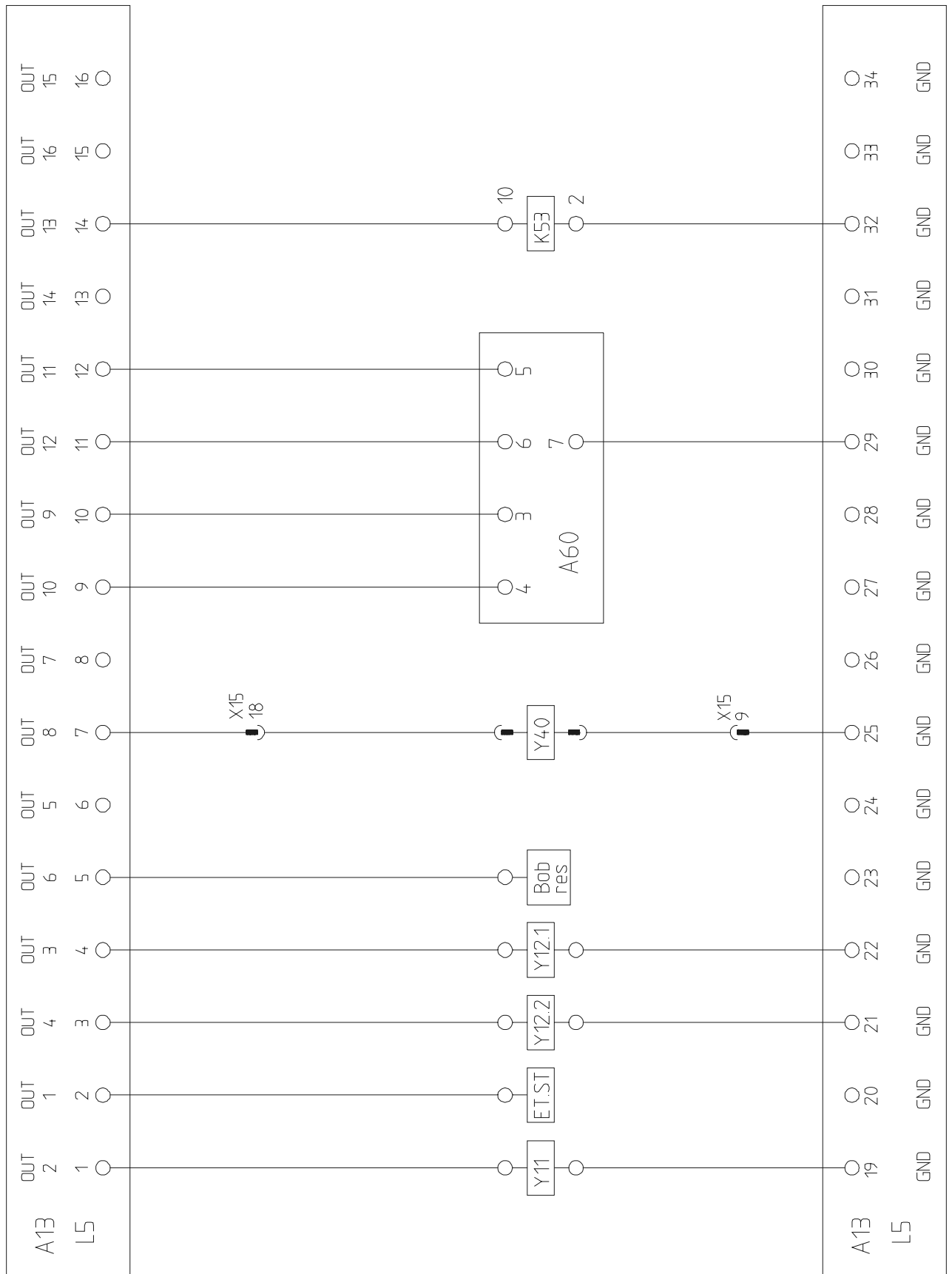


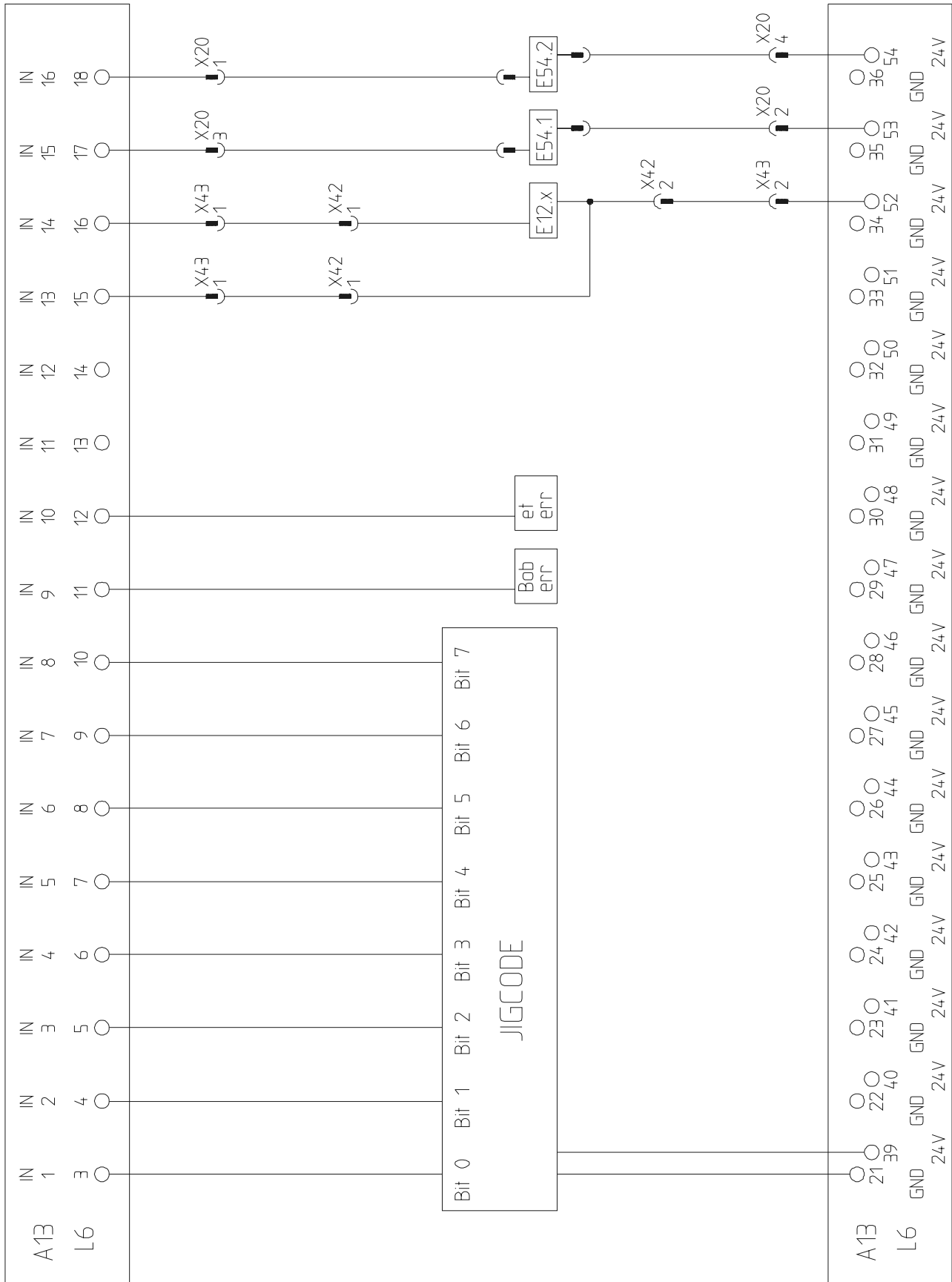












Cargotaschenabweiser

Wenn Abweiser angebaut und angeschlossen **Maschine konfigurieren.**
Eingabe – 6 Service, 6 Maschine konfigurieren,- Codenummer,-6- Cargo: ja.- Enter.

In der Eingabe 4- Schalterfunktionen – 3 Optionen – 5 Schablonenfunktionen- 4
Cargo auswählen.

Im Nähprogramm wird an der erforderlichen Stelle mit INS – F2 – 7
Nahtunterbrechungen – 2 **Warten auf Eingang 1** der Abweiser ein- bzw.
ausgeschaltet. (Der Funktionsablauf des Abweisers erfolgt nicht beim
Programmieren.)

INFO: Der Abweiser ist nur in Verbindung mit der Nadelstange mit Fadenführung
95-778491-91, Nadelsystem 134-35 und Fadenklemme 95-775944-91 zu betreiben.

14.03.04 Tabellen der Eingänge

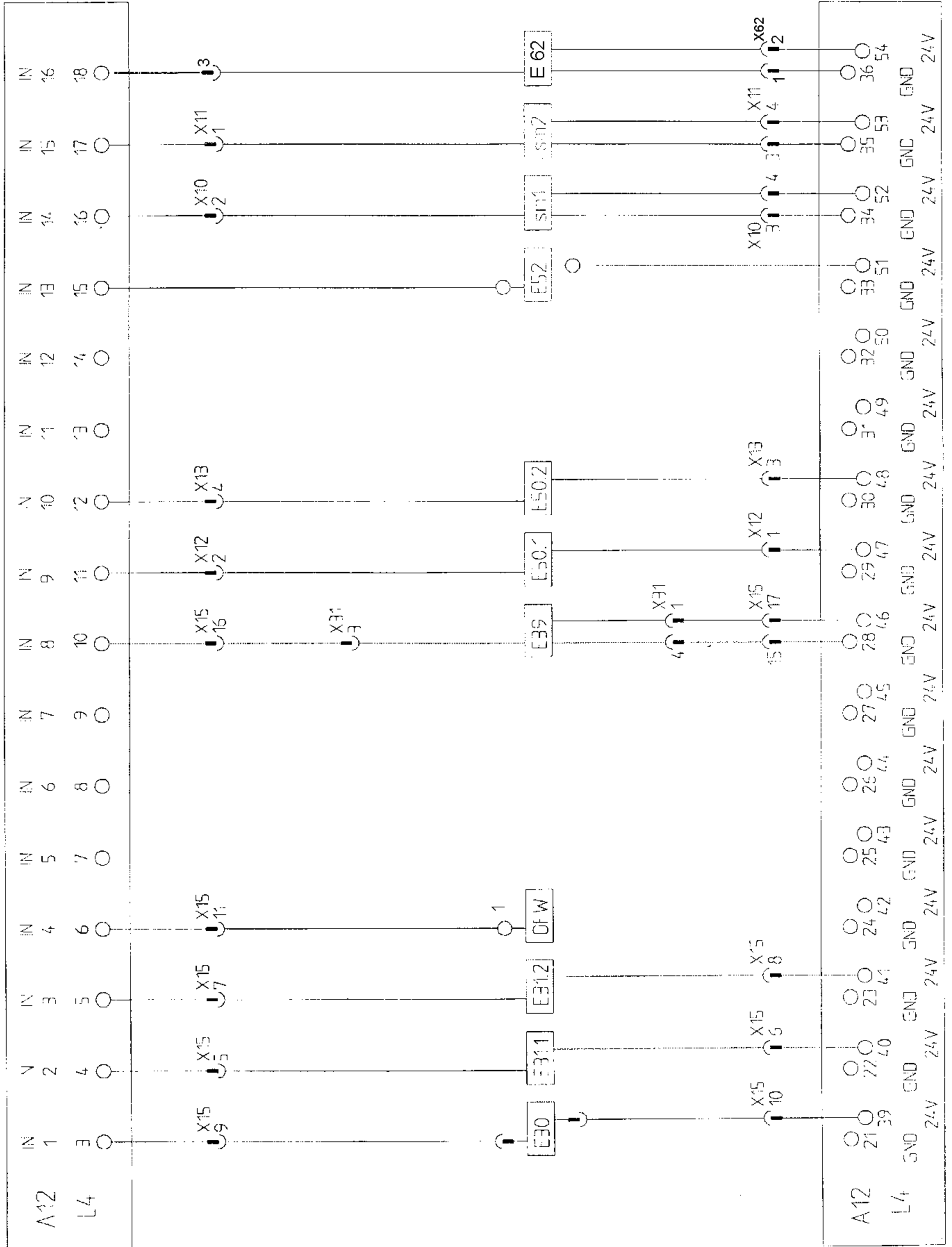
Knoten A11/X400

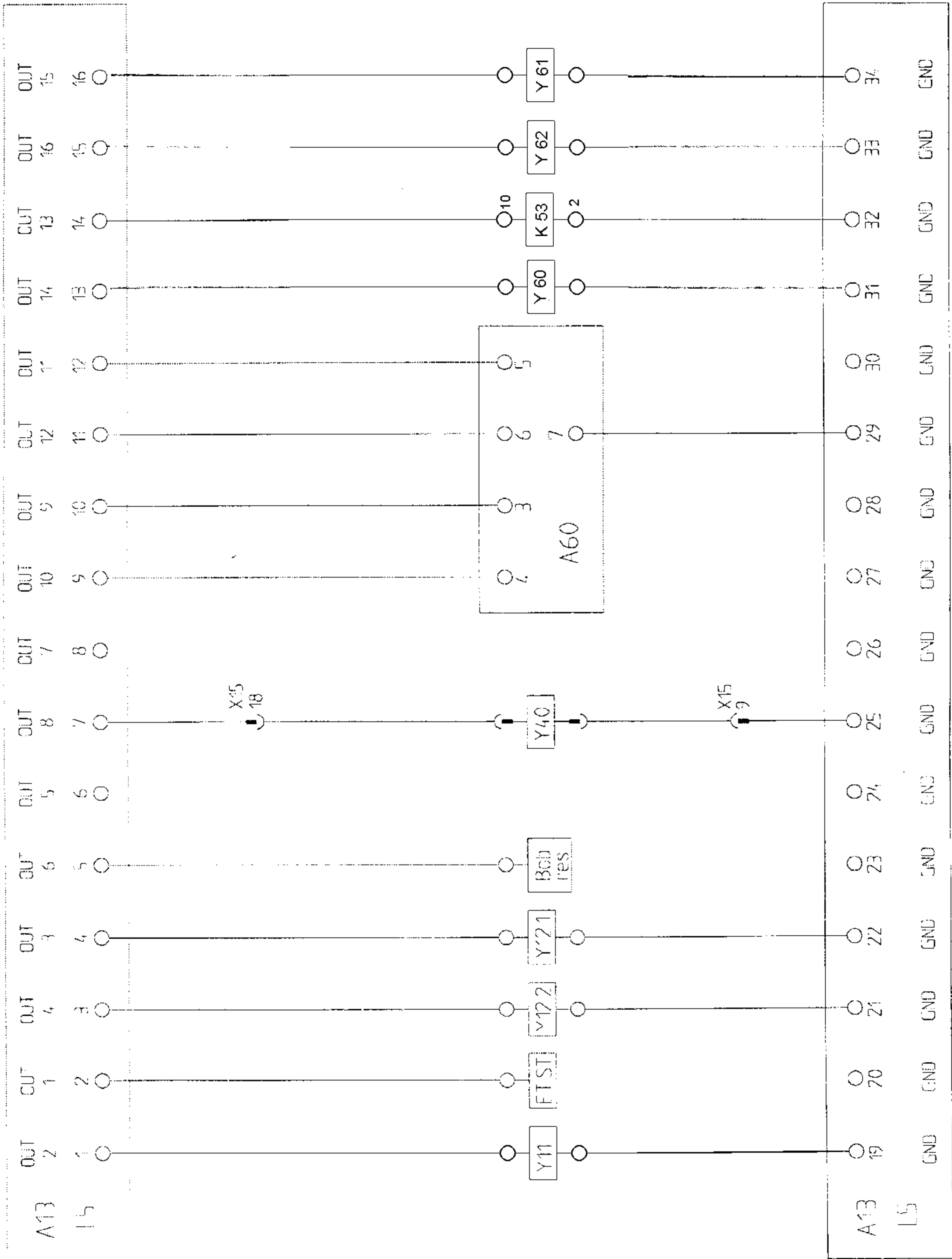
Eingang	Bezeichnung	
IN1	E1.1	Taschenblech vorne
IN2	E1.2	Taschenblech hinten
IN3	E2.2	Taschenblech unten
IN4		frei
IN5		frei
IN6	E5.1	Umbugger oben
IN7	E5.2	Umbugger unten
IN8	TSAUG	Taste Saugen, Einlegeschalter
IN9	TDOPP1	Doppelstarttaste 1
IN10	TDOPP2	Doppelstarttaste 2
IN11	E35.1	Schablone oben
IN12	E35.2	Schablone unten
IN13	PRESS	Druckluft o.k.
IN14	FKEY	Schlüssel für gesicherte Funktionen
IN15	TSSTOP	Separate Stoptaste
IN16	AC_OK	Netzspannung im eingestellten Bereich

Knoten A12/X400

Eingang	Bezeichnung	
IN1	E30	Presserfuß oben
IN2	E31.1	Oberteil angehoben
IN3	E31.2	Oberteil abgesenkt
IN4	THERR	Oberfadenstörung
IN5		programmierbarer Eingang 1
IN6		programmierbarer Eingang 2
IN7	E39.2	Bei Unterk. -02/020 - Grundplatte oben
IN7	E39.2	Bei Unterk. -04/020 - frei
IN8	E39.1	Bei Unterk. -02/020 - Grundplatte unten
IN8	E39.1	Bei Unterk. -04/020 - Spulenabdeckung geschlossen
IN9	E50.1	Walze unten
IN10	E50.2	Walze oben
IN11		frei
IN12		frei
IN13	E52	Staplerbock hinten
IN14	SM1LIMIT	Nullstellung SM 1
IN15	SM2LIMIT	Nullstellung SM 2
IN16	E 62	Seperation finger down

Ausgang	Bezeichnung	Kennziffer	
OUT1	ETSTART	Start Etikettenzuführung	32
OUT2	Y11	ET-Halteklammer drucklos bzw. auf (bei Umbuggerversion 4 - Umbugg- schieber 3 schwenken)	33
OUT3	Y12.1	Pattenposition ein / variabl. Nähschl. schmal	34
OUT4	Y12.2	Pattenposition aus / variabl. Nähschl. breit	35
OUT5		frei	36
OUT6	BOBRES	Reset für Unterfadenwächter	37
OUT7		frei	38
OUT8	Y40	Greiferölung ein	39
OUT9	STR	Start Staplermotor Rechtslauf	40 (S)
OUT10	STL	Start Staplermotor Linkslauf	41 (S)
OUT11	S1IND	Staplermotor Frequenz 1	42 (S)
OUT12	S2IND	Staplermotor Frequenz 2	43 (S)
OUT13	K53	Gestell-Höhenverstellung ein	44
OUT14	Y 60	Seperation finger swung in	45
OUT15	Y 61	Seperation finger Forward - Back	46
OUT16	Y 62	Seperation finger down - up	47





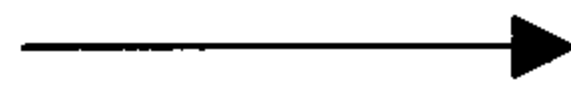
IMPORTANT

Berger Lahr WDM3-008

1. Please check the setting on BOTH amperage selectors (05 PH.CURR.) and adjust (if needed) to the correct amperage for the stepping motors.

Position	Amperage
0	1.7
1	2.0
2	2.4
3	2.7
4	3.1
5	3.4
6	3.7
7	4.1
8	4.4
9	4.8
A	5.1
B	5.4
C	5.8
D	6.1
E	6.5
F	6.8

Highest setting for
PFAFF 3588



- 2 Make sure BOTH DIP switches are set as shown!



PFAFF

PFAFF Industrie Maschinen GmbH

Postfach 3020
D-67653 Kaiserslautern

Königstr. 154
D-67655 Kaiserslautern

Telefon: (0631) 200-0
Telefax: (0631) 17202
E-Mail: info@pfaff-industrial.com

Gedruckt in der BRD
Printed in Germany
Imprimé en R.F.A.
Impreso en la R.F.A.