

SINGER
11W6,W7

m 1797 w—Revised
ember, 1927
NTED IN U. S. A.

LIST OF PARTS



MACHINES Nos. 11w6 and 11w7

THE SINGER MANUFACTURING COMPANY

INDEX

	PAGE
ACCESSORIES	23
BOBBIN WINDER	24
KNEE LIFTER	23
MACHINE NO. 11w6	7
" " 11w7	16
NUMERICAL LIST OF PARTS	27
TRUCK	25

Instructions for Ordering

In ordering from this list, use **ONLY** the **PART** number in the **FIRST** column.

The number stamped on a Sewing Machine Part is the number of the Single Part only, except when the part includes Set Screws, Clamping Screws, Studs and Rollers Spun on, Small Wires riveted, or Parts soldered together, etc., which it is necessary to furnish in combination.

Every combination of parts sent out has its specific number which, although not stamped on Parts (except in above cases) must be used when ordering the combination.

Each number always indicates the **SAME PART** in whatever list it appears, or for whatever Machine.

The letters after some of the numbers indicate the style of finish only, as follows:

- A. Hardened, Polished and Plated.
- B. Polished and Plated.
- C. Hardened only.
- D. Polished only.
- E. Soft, not polished.
- F. Hardened and Polished.
- H. Blued.

These letters **MUST BE USED** when they appear in the list and **AFTER** the number, as in the list.

In this series

200001 to 201500 are Screw Numbers.

201501 to 201800 are Nut Numbers.

201801 to 202000 are Roller Numbers.

202001 and upward are numbers of Machine Parts.

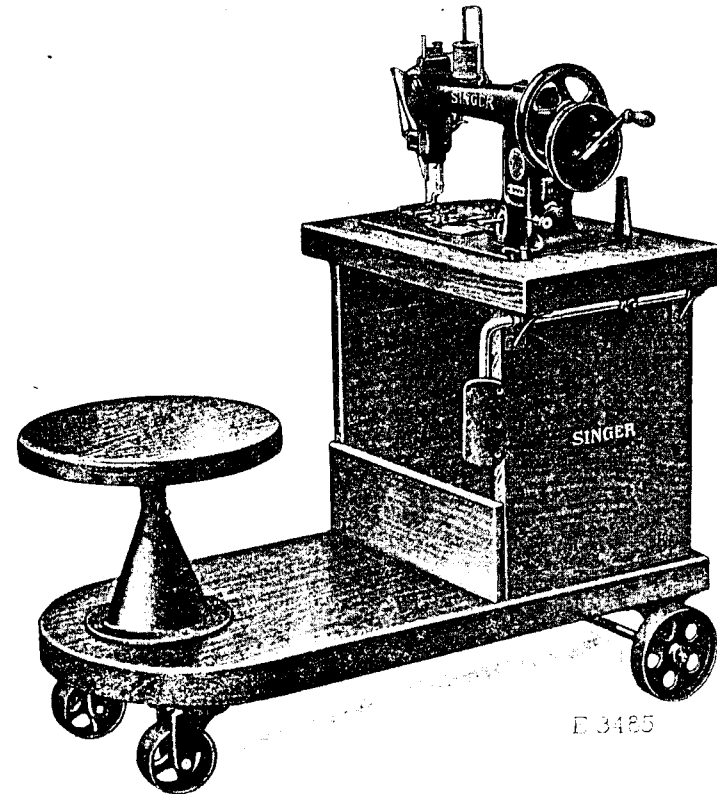
The figures in the second column refer only to the plate in which the illustration of the part is shown and are **NOT TO BE USED** in ordering.

Two or more numbers over a cut indicate that the difference between such parts is not visible in an illustration.

Parts marked with an asterisk (*) are furnished only when repairs are made at the factory.

LIST OF PARTS COMPLETE

FOR



MACHINE No. 11w6

DROP FEED. HAND DRIVING ATTACHMENT

For Stitching or Joining Tape Belts on
Spinning and Twisting Frames

No.	Plate	Name
*221803	—	Arm with 200009H, 202002, 203922 and 204234
204163	10710	Arm Cap
200278H	10710	" " Screw
202248	10710	" " " Washer
202004	12653	" Position Pin (2)
200963E	12659	" Screw (3)

Parts for Machine No. 11w6

No.	Plate	Name
202005	12653	Arm Screw Washer (3)
203923	12660	" Shaft
202002	12653	" " Bushing
200009H	12653	" " " Stop Screw
203924	-----	" " Connection with 202009 and two 200054E
203925	12660	Arm Shaft Connection 203924 with 203926, two each 200822c, 201525E and 202668
*202009	-----	Arm Shaft Connection Cap
200054E	12659	" " " Screw
203926	12653	" " " Slide Block
203927	10708	" " " " " Stud
200427C	12653	" " " " " "
		Position Screw
200352C	12653	Arm Shaft Connection Slide Block Stud Set Screw
203922	12660	Arm Side Plate
221804	12660	Balance Wheel with 200335c, 200338c, 202111 and two 200079H
350091E	12659	Balance Wheel Adjusting Screw ..
202111	10212	" " Gear
200079H	10710	" " " Screw
200338C	12659	" " Position Screw
200335C	12659	" " Set Screw
*221838	-----	Bed with 200328c and 205965
202168	12653	" Hinge Connection (2)
200575H	10710	" " " Screw (4)
202113	-----	" Slide (front)
202114	12660	" " 202113 with 202115 and two 200144E
202115	12653	Bed Slide (front) Spring
200144E	12641	" " " " Screw
221805	12661	Belt Guide (back) (adjustable) with 350093c and two 200798E ..
350092D	12659	Belt Guide (back) (adjustable) Screw
200681C	12659	Belt Guide (back) (adjustable) Screw Stud
221806	12661	Belt Guide (back) Adjusting Slide with 200681c
350093C	12659	Belt Guide (back) Adjusting Slide Position Screw
200798E	12659	Belt Guide (back) Adjusting Slide Screw Stud
201556D	12659	Belt Guide (back) Adjusting Slide Screw Stud Thumb Nut
221807	12661	Belt Guide (front) (adjustable) ...
200798E	12659	" " " " Screw Stud

Parts for Machine No. 11w6

No.	Plate	Name
201556D	12659	Belt Guide (front) (adjustable) Screw Stud Thumb Nut
221808	12661	Belt Guide Adjusting Lever with 200861B
221809	12661	Belt Guide Adjusting Lever Bolster with 200798E
350094D	12659	Belt Guide Adjusting Lever Hinge Screw
350095C	12659	Belt Guide Adjusting Lever Posi- tion Screw
201535H	12641	Belt Guide Adjusting Lever Posi- tion Screw Nut
200798E	12659	Belt Guide Adjusting Lever Screw Stud
201556D	12659	Belt Guide Adjusting Lever Screw Stud Thumb Nut
200861B	12659	Belt Guide Adjusting Lever Thumb Screw
221810	12661	Belt Guide Base Plate
221811	-----	Adjustable Belt Guide Attachment complete, Nos. 201535H, 221805 to 221810, 350094D, 350095C, two 350092D and three 201556D
200577H	12653	Adjustable Belt Guide Attachment Screw
200911D	12659	Adjustable Belt Guide Attachment Screw
202053	12653	Bobbin
*221812	-----	" Case
202055	12653	" " Latch
*202056	-----	" " " Pin
*202100	-----	" " " Post
202101	12653	" " " " Washer
202057	12653	" " " Spring
202058	12653	" " " " Plunger
200597F	12659	" " Tension Regulating Screw
203932	12653	Bobbin Case Tension Spring
200594C	12653	" " " " Screw
221813	12659	Bobbin Case complete, Nos. 200594C, 200597F, 202055 to 202058, 202100, 202101, 203932 and 221812
203934	10706	Bobbin Case Stop
200390C	10706	" " " Adjusting Screw
203936	10706	" " " Bracket
200027E	10706	" " " " Screw
205979	12653	" " " Hinge Pin
203935	10706	" " " Spring

No.	Plate	Name
203966	10706	Bobbin Case Stop Bracket complete, Nos. 200390c, 203934 to 203936 and 205979
221814	12659	Bobbin Winder Frame
200229D	12659	" " " Hinge Screw
202134	12659	" " " Spring
202140	12659	" " " Stop Pin
202141	12659	" " Pulley
202189	12659	" " Spindle
204925	12659	" " " Washer
221815	---	Bobbin Winder complete, Nos. 202141, 202189, 204925 and 221814
203937	12643	Face Plate with 202023, 202087, 204281 and four 200368H
200053C	12659	Face Plate Screw
202023	12653	" " Thread Guide
200368H	12653	" " " " Set Screw
221839	---	Face Plate complete, Nos. 200577H, 203937, 203965, 204059, 204795 and 221840
203939	12642	Feed Bar with 204340
200365C	12653	" " Adjusting Screw
203940	10706	" " " Spring (flat)
200131E	12659	" " " " Screw
200415C	10706	" " Screw Center
201525E	10706	" " " Nut
203941	10706	" " Spring (spiral)
204340	12659	" " " Hook
204189	12659	" " " " (on Bed)
221844	---	Feed Bar complete, Nos. 200365C, 203939, 203940, 221816 and four 200131E
221816	12664	Feed Dog
200131E	12659	" " Screw
203943	10708	" Driving Crank
205977	---	" " " 203943 with 200252c, 201531E and 203944
203944	10708	Feed Driving Crank Link
200252c	10708	" " " " Screw Stud
201531E	10708	Feed Driving Crank Link Screw Stud Nut
200648E	10706	Feed Driving Crank Screw Stud
200372c	10706	" " " " " " Check Screw
202668	12659	Feed Driving Crank Slide Block
200822c	12659	" " " " " " Screw Stud
201525E	10706	Feed Driving Crank Slide Block Screw Stud Nut

No.	Plate	Name
203945	12642	Feed Driving Rock Shaft with two each 200415c and 201525E
203946	12642	Feed Driving Rock Shaft Crank with two each 200378c, 200415c and 201525E
203947	12642	Feed Driving Rock Shaft Crank Connection with 200819c
200415c	10706	Feed Driving Rock Shaft Crank Connection Screw Center
201525E	10706	Feed Driving Rock Shaft Crank Connection Screw Center Nut ..
200378c	12653	Feed Driving Rock Shaft Crank Set Screw
200414c	10706	Feed Driving Rock Shaft Screw Center (2)
201512E	10706	Feed Driving Rock Shaft Screw Center Nut (2)
203948	10706	Feed Lifting Cam with 200390c and 202126
202126	12653	Feed Lifting Cam Position Pin
200390c	10706	" " " Set Screw
*221817	---	" Regulating Handle
203950	10708	" " " Escutcheon
200137H	10708	" " " " Screw (2)
202064	12653	Feed Regulating Handle Position Pin
*203951	---	Feed Regulator and Reverser
221841	---	" " " " 203951 with 202064 and 221817
204213	12641	Feed Regulator and Reverser Sleeve (split)
200362c	10708	Feed Regulator and Reverser Sleeve Set Screw
202668	12659	Feed Regulator and Reverser Slide Block
200819c	12663	Feed Regulator and Reverser Slide Block Screw Stud
221818	12663	Feed Regulator and Reverser Stop
204234	10708	" " " " " " Pin
200113F	10708	Feed Regulator and Reverser Stop Screw
203954	10708	Feed Regulator and Reverser Stop Screw Washer
200084F	10708	Feed Regulator and Reverser Stop Screw Washer Screw
*202116	---	Hand Wheel
*208712	---	" " 202116 with 202121 and 204389

No.	Plate	Name
202117	10212	Hand Wheel 208712 with 202125, three each 200079H and 202126 ..
202123	10212	Hand Wheel Bracket with 200363c and 202140
202124	12663	Hand Wheel Bracket Eccentric Stud
200363c	12663	" " " " " " Set Screw
200036E	12663	Hand Wheel Bracket Screw (2) ...
202118	10212	" " Crank
202119	10212	" " " Handle (wood) ..
200212E	10212	" " " Screw ...
201528E	12663	" " " " " Nut ...
202120	12663	" " " Hinge Pin
202121	12663	" " " Lock Pin
204389	12663	" " " " " Spring
*202125	—	" " Gear
202126	12653	" " " Position Pin ...
200079H	10710	" " " Screw
202127	10212	" " Latch with 202128
202128	12663	" " " Pin
200319E	12663	" " " Screw
204986	12663	" " " Spring
200319E	12663	" " " " Screw ...
202130	—	Hand Wheel complete, Nos. 200212E, 201528E, 202117 to 202120, 202127, 204986 and two 200319E
205949	—	Hand Wheel Bracket complete, Nos. 202123, 202124 and 202130
*202051	—	Hook (sewing)
208742	12642	" 202051 with 200610E, 200611E, 202063, 202064 and 208741
203955	—	Hook 208742 with 203948 and 203956
221819	—	Hook and Bobbin Case complete, Nos. 203955 and 221813
202063	12653	Hook Gib
200610E	12653	" " Hinge Screw
200611E	12653	" " Screw
202064	12653	" Pin
*208741	—	" Shaft, 9/16 in. long
205965	12653	" " Bushing
200328c	10706	" " " Position Screw ..
208825	12653	" " Crank
205980	—	" " " 208825 with two 200378c
200378c	12653	Hook Shaft Crank Set Screw
202668	12659	" " " Slide Block
200822c	12659	" " " " " Screw Stud

No.	Plate	Name
201525E	10706	Hook Shaft Crank Slide Block Screw Stud Nut
203956	12656	Hook Washer
203971	12665	Knee Lifter Connection Lever with 203976
203974	—	Knee Lifter Connection Lever 203971 with 203972, 203973 and two 200262H
200262H	12656	Knee Lifter Connection Lever Hinge Screw
203972	12665	Knee Lifter Connection Lever Lift- ing Rod with 202302
202302	10710	Knee Lifter Connection Lever Lift- ing Rod Cotter Pin
203976	10710	Knee Lifter Connection Lever Pin
203973	12665	" " Lifting Lever
200262H	12656	" " " " Hinge Screw
203957	12642	Needle Bar with 200117E, 200175D and 203967
203959	12663	Needle Bar Connecting Link
200667c	12663	" " " " Screw Stud
*208735	—	Needle Bar Connecting Stud
208736	12656	" " " " 208735 with two 200387c
200387c	12663	Needle Bar Connecting Stud Set Screw
203967	12663	Needle Bar Thread Guide
200175D	12663	" " " " Screw ..
200117E	12656	" Set Screw
203958	12642	Presser Bar (hollow) with 200074E
202046	12663	" " Guide Bracket with 200387c
200387c	12663	Presser Bar Guide Bracket Set Screw
202047	12663	Presser Bar Lifter
200026D	12656	" " " Hinge Screw ..
202048	12656	" " Sleeve
221820	12663	" " Spring
200499B	12656	" " Thumb Screw (pres- sure regulating)
221821	12664	Presser Foot
200074E	12656	" " Screw
202068	10710	Spool Holder Base
200575H	10710	" " " Screw
204296	10710	" " Wire
200079H	10710	" " " Hinge Screw ...

No.	Plate	Name
204297	—	Spool Holder complete, Nos. 200079H, 202068 and 204296
221843	12642	Take-up Cam with 200335c, 200431c and 200667c
200431c	12663	Take-up Cam Position Screw
200335c	12659	" " Set Screw
203961	12664	" Lever with 201816
200251H	12664	" " Bearing Screw
201816	12656	" " Roller
202074	12664	Tension Pulley
202149	12656	" Release Plunger
208696	—	" Slide
202076	12656	" " 208696 with 202077
202077	12656	" Spring
202078	12664	" Spring
200630B	12664	" Stud
200368H	12653	" " Set Screw
201572B	12656	" Thumb Nut
204271	12656	" Washer (steel)
205656	—	" " (felt)
202079	—	" " "
221840	—	Tension complete, Nos. 200630B, 201572B, 202074, 202078, 202079, 202149, 204271 and 205656
204274	12656	Thread Controller Plate
200577H	12653	" " " Screw
202098	12656	" " Roller
204275	12656	" " " Guard
202084	12656	" " " Washer
200300c	12656	" " " Screw
203964	12664	" " Spring
204333	12656	" " " Guard
200581H	12656	" " " Screw
202087	12664	" " " Stop
204795	12664	" " " Stud with 204925
200368H	12653	Thread Controller Spring Stud Set Screw
204925	12659	Thread Controller Spring Stud Washer
203965	12664	Thread Controller complete, Nos. 200300c, 200581H, 202084, 202098, 203964, 204274, 204275 and 204333
202095	12656	Thread Cutter
200137H	10708	" " Screw
204281	12656	" Retainer Guide Wire
202091	12656	" " Sleeve
202092	12656	" " Spring (spiral)
204058	12656	" " Stud

LIST OF PARTS COMPLETE

FOR

MACHINE No. 11w7

DROP FEED. MOTOR DRIVE

For Stitching or Joining Tape Belts on Spinning
and Twisting Frames

No.	Plate	Name
*221803	—	Arm with 200009H, 202002, 203922 and 204234
204163	10710	Arm Cap
200278H	10710	" " Screw
202248	10710	" " " Washer
202004	12653	" Position Pin (2)
200963E	12659	" Screw (3)
202005	12653	" " Washer (3)
203923	12660	" Shaft
202002	12653	" " Bushing
200009H	12653	" " " Stop Screw
203924	—	" " Connection with 202009 and two 200054E
203925	12660	Arm Shaft Connection 203924 with 203926, two each 200822c, 201525E and 202668
*202009	—	Arm Shaft Connection Cap
200054E	12659	" " " Screw
203926	12653	" " " Slide Block
203927	10708	" " " " " Stud
200427c	12653	" " " " " " " " Position Screw
200352c	12653	Arm Shaft Connection Slide Block Stud Set Screw
203922	12660	Arm Side Plate
203969	12643	Balance Wheel, 5½ in. diam. (belt groove 2¼ in. diam.), with 200328c and 200335c
200062H	12641	Balance Wheel Adjusting Screw
200328c	10706	" " Position Screw
208783	12643	" " Pulley, 2¼ in. diameter
202015	12641	Balance Wheel Pulley Spring Washer

No.	Plate	Name
200368H	12653	Thread Retainer Stud Set Screw ..
204059	---	Thread Retainer complete, Nos. 202091, 202092 and 204058
221822	12664	Throat Plate, 38 needle hole, for needle sizes 23 and 24
200577H	12653	Throat Plate Screw (2)

No.	Plate	Name
200335c	12659	Balance Wheel Set Screw
201569B	12641	" " Thumb Nut with 200609F
200609F	12641	Balance Wheel Thumb Nut Stop Screw
202016	12641	Balance Wheel Thumb Nut Stop Washer
203968	---	Balance Wheel complete, Nos. 201569B, 202015, 202016, 203969 and 208783
*221838	---	Bed with 200328c and 205965
202168	12653	" Hinge Connection (2)
200575H	10710	" " " Screw (4)
202113	---	" Slide (front)
202114	12660	" " 202113 with 202115 and two 200144E
202115	12653	Bed Slide (front) Spring
200144E	12641	" " " " Screw ...
221805	12661	Belt Guide (back) (adjustable) with 350093c and two 200798E
350092D	12659	Belt Guide (back) (adjustable) Screw
200681c	12659	Belt Guide (back) (adjustable) Screw Stud
221806	12661	Belt Guide (back) Adjusting Slide with 200681c
350093c	12659	Belt Guide (back) Adjusting Slide Position Screw
200798E	12659	Belt Guide (back) Adjusting Slide Screw Stud
201556D	12659	Belt Guide (back) Adjusting Slide Screw Stud Thumb Nut
221807	12661	Belt Guide (front) (adjustable) ...
200798E	12659	" " " " Screw Stud
201556D	12659	Belt Guide (front) (adjustable) Screw Stud Thumb Nut
221808	12661	Belt Guide Adjusting Lever with 200861B
221809	12661	Belt Guide Adjusting Lever Bolster with 200798E
350094D	12659	Belt Guide Adjusting Lever Hinge Screw
350095c	12659	Belt Guide Adjusting Lever Posi- tion Screw
201535H	12641	Belt Guide Adjusting Lever Posi- tion Screw Nut
200798E	12659	Belt Guide Adjusting Lever Screw Stud

No.	Plate	Name
201556D	12659	Belt Guide Adjusting Lever Screw Stud Thumb Nut
200861B	12659	Belt Guide Adjusting Lever Thumb Screw
221810	12661	Belt Guide Base Plate
221811	—	Adjustable Belt Guide Attachment complete, Nos. 201535H, 221805 to 221810, 350094D, 350095C, two 350092D and three 201556D
200577H	12653	Adjustable Belt Guide Attachment Screw
200911D	12659	Adjustable Belt Guide Attachment Screw
202053	12653	Bobbin
*221812	—	" Case
202055	12653	" " Latch
*202056	—	" " Pin
*202100	—	" " Post
202101	12653	" " " Washer
202057	12653	" " " Spring
202058	12653	" " " Plunger
200597F	12659	" " Tension Regulating Screw
203932	12653	Bobbin Case Tension Spring
200594C	12653	" " " " Screw
221813	12659	Bobbin Case complete, Nos. 200594C, 200597F, 202055 to 202058, 202100, 202101, 203932 and 221812
203934	10706	Bobbin Case Stop
200390C	10706	" " " Adjusting Screw
203936	10706	" " " Bracket
200027E	10706	" " " Screw
205979	12653	" " " Hinge Pin
203935	10706	" " " Spring
203966	19706	Bobbin Case Stop Bracket complete, Nos. 200390C, 203934 to 203936 and 205979
203937	12643	Face Plate with 202023, 202087, 204281 and four 200368H
200053C	12659	Face Plate Screw
202023	12653	" " Thread Guide
200368H	12653	" " " " Set Screw
221839	—	Face Plate complete, Nos. 200577H, 203937, 203965, 204059, 204795 and 221840
203939	12642	Feed Bar with 204340
200365C	12653	" " Adjusting Screw
203940	10706	" " " Spring (flat)
200131E	12659	" " " " Screw
200415C	10706	" " Screw Center

No.	Plate	Name
201525E	10706	Feed Bar Screw Center Nut
203941	10706	" " Spring (spiral)
204340	12659	" " " Hook
204189	12659	" " " " (on Bed)
221844	—	Feed Bar complete, Nos. 200365C, 203939, 203940, 221816 and four 200131E
221816	12664	Feed Dog
200131E	12659	" " Screw
203943	10708	" Driving Crank
205977	—	" " " 203943 with 200252C, 201531E and 203944
203944	10708	Feed Driving Crank Link
200252C	10708	" " " " Screw Stud
201531E	10708	Feed Driving Crank Link Screw Stud Nut
200648E	10706	Feed Driving Crank Screw Stud
200372C	10706	" " " " " Check Screw
202668	12659	Feed Driving Crank Slide Block
200822C	12659	" " " " " Screw Stud
201525E	10706	Feed Driving Crank Slide Block Screw Stud Nut
203945	12642	Feed Driving Rock Shaft with two each 200415C and 201525E
203946	12642	Feed Driving Rock Shaft Crank with two each 200378C, 200415C and 201525E
203947	12642	Feed Driving Rock Shaft Crank Connection with 200819C
200415C	10706	Feed Driving Rock Shaft Crank Connection Screw Center
201525E	10706	Feed Driving Rock Shaft Crank Connection Screw Center Nut
200378C	12653	Feed Driving Rock Shaft Crank Set Screw
200414C	10706	Feed Driving Rock Shaft Screw Center (2)
201512E	10706	Feed Driving Rock Shaft Screw Center Nut (2)
203948	10706	Feed Lifting Cam with 200390C and 202126
202126	12653	Feed Lifting Cam Position Pin
200390C	10706	" " " Set Screw
*221817	—	" Regulating Handle
203950	10708	" " " Escutcheon
200137H	10708	" " " " Screw (2)

No.	Plate	Name
202064	12653	Feed Regulating Handle Position Pin
*203951	—	Feed Regulator and Reverser
221841	—	“ “ “ “ 203951 with 202064 and 221817
204213	12641	Feed Regulator and Reverser Sleeve (split)
200362c	10708	Feed Regulator and Reverser Sleeve Set Screw
202668	12659	Feed Regulator and Reverser Slide Block
200819c	12663	Feed Regulator and Reverser Slide Block Screw Stud
221818	12663	Feed Regulator and Reverser Stop
204234	10708	“ “ “ “ “ Pin
200113F	10708	Feed Regulator and Reverser Stop Screw
203954	10708	Feed Regulator and Reverser Stop Screw Washer
200084F	10708	Feed Regulator and Reverser Stop Screw Washer Screw
*202051	—	Hook (sewing)
208742	12642	“ 202051 with 200610F, 200611F, 202063, 202064 and 208741
203955	—	Hook 208742 with 203948 and 203956
221819	—	Hook and Bobbin Case complete, Nos. 203955 and 221813
202063	12653	Hook Gib
200610F	12653	“ “ Hinge Screw
200611F	12653	“ “ Screw
202064	12653	“ Pin
*208741	—	“ Shaft, 9¼ in. long
205965	12653	“ “ Bushing
200328c	19706	“ “ “ Position Screw ..
208825	12653	“ “ Crank
205980	—	“ “ “ 208825 with two 200378c
200378c	12653	Hook Shaft Crank Set Screw
202668	12659	“ “ “ Slide Block
200822c	12659	“ “ “ “ “ Screw Stud
201525E	10706	Hook Shaft Crank Slide Block Screw Stud Nut
203956	12656	Hook Washer
203971	12665	Knee Lifter Connection Lever with 203976
203974	—	Knee Lifter Connection Lever 203971 with 203972, 203973 and two 200262u

No.	Plate	Name
200262u	12656	Knee Lifter Connection Lever Hinge Screw
203972	12665	Knee Lifter Connection Lever Lifting Rod with 202302
202302	10710	Knee Lifter Connection Lever Lifting Rod Cotter Pin
203976	10710	Knee Lifter Connection Lever Pin
203973	12665	“ “ Lifting Lever
200262u	12656	“ “ “ “ Hinge Screw
203957	12642	Needle Bar with 200117F, 200175D and 203967
203959	12663	Needle Bar Connecting Link
200667c	12663	“ “ “ “ Screw Stud
*208735	—	Needle Bar Connecting Stud
208736	12656	“ “ “ “ 208735 with two 200387c
200387c	12663	Needle Bar Connecting Stud Set Screw
203967	12663	Needle Bar Thread Guide
200175D	12663	“ “ “ “ Screw ..
200117F	12656	“ Set Screw
203958	12642	Presser Bar (hollow) with 200074F
202046	12663	“ “ Guide Bracket with 200387c
200387c	12663	Presser Bar Guide Bracket Set Screw
202047	12663	Presser Bar Lifter
200026D	12656	“ “ “ Hinge Screw ...
202048	12656	“ “ Sleeve
221820	12663	“ “ Spring
200499u	12656	“ “ Thumb Screw (pressure regulating)
221821	12664	Presser Foot
200074F	12656	“ “ Screw
202068	19710	Spool Holder Base
200575u	10710	“ “ “ Screw
204296	10710	“ “ Wire
200079u	10710	“ “ “ Hinge Screw ...
204297	—	Spool Holder complete, Nos. 200079u, 202068 and 204296
221843	12642	Take-up Cam with 200335c, 200431c and 200667c
200431c	12663	Take-up Cam Position Screw
200335c	12659	“ “ Set Screw
203961	12664	“ Lever with 201816
200251u	12664	“ “ Bearing Screw
201816	12656	“ “ Roller

No.	Plate	Name
202074	12664	Tension Pulley
202149	12656	" Release Plunger
208696	---	" Slide
202076	12656	" " 208696 with 202077
202077	12656	" " Spring
202078	12664	" Spring
200630B	12664	" Stud
200368H	12653	" " Set Screw
261572B	12656	" Thumb Nut
204271	12656	" Washer (steel)
205656	---	" " (felt)
202079	---	" " "
221840	---	Tension complete, Nos. 200630B, 201572B, 202074, 202078, 202079, 202149, 204271 and 205656
204274	12656	Thread Controller Plate
200577H	12653	" " " Screw
202098	12656	" " Roller
204275	12656	" " Guard
202084	12656	" " " Washer
200300C	12656	" " " Screw
203964	12664	" " Spring
204333	12656	" " Guard
200581H	12656	" " " Screw
202087	12664	" " Stop
204795	12664	" " Stud with 204925
200368H	12653	Thread Controller Spring Stud Set Screw
204925	12659	Thread Controller Spring Stud Washer
203965	12664	Thread Controller complete, Nos. 200300C, 200581H, 202084, 202098, 203964, 204274, 204275 and 204333
202095	12656	Thread Cutter
200137H	10708	" " Screw
204281	12656	" Retainer Guide Wire
202091	12656	" " Sleeve
202092	12656	" Spring (spiral)
201058	12656	" " Stud
200368H	12653	" " " Set Screw
204059	---	Thread Retainer complete, Nos. 202091, 202092 and 204058
221822	12664	Throat Plate, 38 needle hole, for needle sizes 23 and 24
200577H	12653	Throat Plate Screw (2)

ACCESSORIES

FOR MACHINE No. 11w6

No.	Plate	Name
202053	12653	Bobbin (5)
*225482	---	" Case Screw Driver Blade ..
*225483	---	" " " " Handle ..
225497	12666	Bobbin Case Screw Driver com- plete, Nos. 225482 and 225483 ..
128 x 3	---	Needles, six, size 23
225045	---	Drip Pan with four wood screws $\frac{1}{2}$ in., No. 5
36569	12666	Oiler with 36571
36570	---	" 36569, filled with oil
36571	12666	" Spout, 1 $\frac{1}{2}$ in. long, with 36807 ..
36807	---	" " Washer (leather)
*225484	---	Screw Driver Blade
*225485	---	" " Handle
225498	12666	Screw Driver complete (7 $\frac{1}{2}$ in. long), Nos. 225484 and 225485 ..
225553	12666	Wrench (steel)
KNEE LIFTER		
221823	12665	Knee Lifter Rock Lever with three 200528C
221824	12665	Knee Lifter Rock Lever Knee Plate with 200526C
221825	12665	Knee Lifter Rock Lever Knee Plate Arm
221842	12664	Knee Lifter Rock Lever Knee Plate Arm Collar with two 200393C ...
200393C	12664	Knee Lifter Rock Lever Knee Plate Arm Collar Set Screw
200526C	12664	Knee Lifter Rock Lever Knee Plate Set Screw
227728	12665	Knee Lifter Rock Lever Rod, 3 in. long, with 227729
*227729	---	Knee Lifter Rock Lever Rod Cap or Oil Guard
200528C	12664	Knee Lifter Rock Lever Rod Set Screw
200528C	12664	Knee Lifter Rock Lever Set Screw ..
221826	---	Knee Lifter Rock Lever complete, Nos. 221823 to 221825, 227728 and two 221842

FOR MACHINE No. 11w7

Same as for No. 11w6 with the following exceptions:

BOBBIN WINDER

Swing Automatic, Right Hand

No.	Plate	Name
202470	12320	Base
202471	12320	Frame
200221D	12319	" Hinge Screw
202472	12319	" Spring
200161D	12319	" " Screw
202473	12320	Pulley with 200380c
200380c	12319	" Set Screw
202474	12320	Spindle
227522	12319	Stop Latch
200056E	12319	" " Screw
202477	12319	" " Thumb Lever
200299H	12319	" " " " Hinge Screw
200299H	12319	Stop Latch Thumb Lever Joint Screw
201537H	12319	Stop Latch Thumb Lever Joint Screw Nut
202478	12319	Stop Latch Trip Lever
200299H	12319	" " " " Hinge Screw
227523	12320	Bobbin Winder complete, Nos. 200056E, 200161D, 200221D, 201537H, 202470 to 202474, 202477, 202478, 227522, three 200299H and two round head screws $\frac{3}{4}$ in., No. 12
202480	12320	Spool Holder Base with 200355H and 202484
202481	12320	Spool Holder Base Spool Pin
202482	12319	" " Tension Disc (lower or upper)
200011E	12319	Spool Holder Tension Disc Screw
200355H	12319	" " " " " " Set Screw
202483	12319	Spool Holder Tension Disc Spring (brass)
202484	12319	Spool Holder Tension Disc Thread Guide
202485	12320	Bobbin Winder Spool Holder com- plete, Nos. 200011E, 202480, 202481, 202483, two 202482 and one wood screw 1 in., No. 13
227524	—	Bobbin Winder and Spool Holder complete, Nos. 202485 and 227523

TRUCK

FOR MACHINE No. 11w6

No.	Plate	Name
221827	—	Machine Base (wood) with 228092, two 227493 and four 225589
221828	12667	Machine Base Bracket with four wood screws $\frac{3}{4}$ in., No. 12
228092	12666	Machine Button with one wood screw $1\frac{1}{2}$ in., No. 14, R.H.B. ...
221829	—	Machine Cover
225589	—	" Cushion (leather)
227493	12666	" Hinge Plate 202259 with two wood screws $\frac{3}{4}$ in., No. 12
41400	12666	Machine Rest Pin (wood)
221830	12667	Stool Base with 200522c and four wood screws $1\frac{1}{4}$ in., No. 12, R.H.B.
227134	—	Stool Seat
227053	—	" " 227134 with 227132
227132	12667	" " Bracket with 227556 and three wood screws 1 in., No. 12
227556	12667	Stool Seat Spindle
200522c	10710	" " " Set Screw
221831	12667	Truck Axle
221832	12667	" " Bearing with three wood screws $1\frac{1}{4}$ in., No. 12
221833	12663	Truck Axle Cotter Pin
221834	—	" Body
221835	12667	" Caster with four wood screws $1\frac{1}{2}$ in., No. 18
221836	12667	Truck Wheel
221837	—	Truck complete, Nos. 41400, 221827, 221829 to 221831, 221834, 227053, two each 221832, 221833, 221835, 221836 and four 221828

FOR MACHINE No. 11w7

225190	—	Belt, size $\frac{1}{4}$ in., length $39\frac{1}{2}$ in., with 25128
25128	12641	Belt Hook
221876	—	Machine Base (wood) with 228092, two 227493 and four 225589
221828	12667	Machine Base Bracket with four wood screws $\frac{3}{4}$ in., No. 12

No.	Plate	Name
223092	12666	Machine Button with one wood screw 1½ in., No. 14, R.H.B.
221829	—	Machine Cover
225589	—	" Cushion (leather)
227493	12666	" Hinge Plate 202259 with two wood screws ¾ in., No. 12H
41400	12666	Machine Rest Pin (wood)
221877	—	Motor End Guard with four wood screws ¾ in., No. 9, R.H.B.
221878	12643	Starting Treadle with 221883
221879	12643	" " Bracket
221880	12643	" " " 221879 with 221878, 221881 and two wood screws 1¼ in., No. 12
221881	12641	Starting Treadle Hinge Pin
221882	12643	" " Pitman
221883	12641	" " " Hook
221830	12667	Stool Base with 200522c and four wood screws 1¼ in., No. 12, R.H.B.
227134	—	Stool Seat
227053	—	" " 227134 with 227132
227132	12667	" " Bracket with 227556 and three wood screws 1 in., No. 12
227556	12667	Stool Seat Spindle
200522c	10710	" " " Set Screw
221831	12667	Truck Axle
221832	12667	" " Bearing with three wood screws 1¼ in., No. 12
221833	12663	Truck Axle Cotter Pin
221884	—	" Body
221835	12667	" Caster with four wood screws 1½ in., No. 18
221836	12667	Truck Wheel
221885	—	Truck complete, Nos. 41400, 221829 to 221831, 221876, 221877, 221880, 221882, 221884, 225190, 227053, two each 221832, 221833, 221835, 221836 and four 221828

NUMERICAL LIST OF PARTS
FOR
MACHINES
Nos. 11w6 and 11w7

NUMERICAL LIST OF PARTS

No.	Plate	Name
25128	12641	Belt Hook, for 225490
36569	12666	Oiler with 36571, for 36570
36570		" 36569, filled with oil
36571	12666	" Spout, 1 $\frac{1}{2}$ in. long, with 36897, for 36569
36807		Oiler Spout Washer (leather), for 36571
4400	12666	Machine Rest Pin (wood), for 221837 and 221885
2000090	12653	Arm Shaft Bushing Stop Screw, for 221803
2000110	12319	Bobbin Winder Spool Holder Ten- sion Disc Screw, for 202485
2000260	12656	Presser Bar Lifter Hinge Screw ..
2000270	10706	Bobbin Case Stop Bracket Screw...
2000360	12663	Hand Wheel Bracket Screw, for Machine No. 11w6
2000530	12659	Face Plate Screw
2000540	12659	Arm Shaft Connection Screw, for 203924
2000560	12319	Bobbin Winder Stop Latch Screw, for 227523
2000620	12641	Balance Wheel Adjusting Screw, for Machine No. 11w7
2000740	12656	Presser Foot Screw, for 203958 ...
2000790	10710	Balance Wheel Gear Screw, for 221804
2000790	10710	Hand Wheel Gear Screw, for 202117
2000790	10710	Spool Holder Wire Hinge Screw, for 204297
2000840	10708	Feed Regulator and Reverser Stop Screw Washer Screw
2001130	10708	Feed Regulator and Reverser Stop Screw
2001170	12656	Needle Set Screw, for 203957
2001310	12659	Feed Bar Adjusting Spring Screw, for 221844
2001310	12659	Feed Dog Screw, for 221844
2001370	10708	" Regulating Handle Escutcheon Screw
2001370	10708	Thread Cutter Screw
2001440	12641	Bed Slide (front) Spring Screw, for 202114

No.	Plate	Name
200161c	12319	Bobbin Winder Frame Spacing Screw, for 227523
200175c	12663	Needle Bar Thread Guide Screw, for 203937
200212c	10212	Hand Wheel Crank Handle Screw, for 202130
200221c	12319	Bobbin Winder Frame Hinge Screw, for 227523
200229c	12659	Bobbin Winder Frame Hinge Screw
200251c	12664	Take-up Lever Bearing Screw
200252c	10703	Feed Driving Crank Link Screw Stud, for 205977
200262c	12656	Knee Lifter Connection Lever Hinge Screw, for 203974
200262c	12656	Knee Lifter Lifting Lever Hinge Screw
200278c	10710	Arm Cap Screw
200299c	12319	Bobbin Winder Frame Hinge Screw, for Machine No. HW6
200299c	12319	Bobbin Winder Stop Latch Thumb Lever Hinge Screw, for 224873
200299c	12319	Bobbin Winder Stop Latch Thumb Lever Joint Screw, for 225423
200299c	12319	Bobbin Winder Stop Latch Trip Lever Hinge Screw, for 224573
200300c	12656	Thread Controller Roller Screw, for 202965
200319c	12663	Hand Wheel Latch Screw, for 202130
200319c	12663	Hand Wheel Latch Spring Screw, for 202130
200328c	10706	Balance Wheel Position Screw, for 203969
200328c	10706	Hook Shaft Bushing Position Screw, for 224838
200335c	12659	Balance Wheel Set Screw, for 203969 and 224804
200335c	12659	Take-up Cam Set Screw, for 224843
200338c	12659	Balance Wheel Position Screw, for 224804
200352c	12653	Arm Shaft Connection Slide Block Stud Set Screw
200355c	12319	Bobbin Winder Spool Holder Tension Disc Screw Set Screw, for 202480
200362c	10708	Feed Regulator and Reverse Sleeve Set Screw
200363c	12663	Hand Wheel Bracket Eccentric Stud Set Screw, for 202133

No.	Plate	Name
200365c	12653	Feed Bar Adjusting Screw, for 224844
200368c	12653	Face Plate Thread Guide Set Screw, for 203937
200368c	12653	Tension Stud Set Screw, for 203937
200368c	12653	Thread Controller Spring Stud Set Screw, for 203937
200368c	12653	Thread Retainer Stud Set Screw, for 203937
200372c	10706	Feed Driving Crank Screw Stud Check Screw
200378c	12653	Feed Driving Rock Shaft Crank Set Screw, for 203946
200378c	12653	Hook Shaft Crank Set Screw, for 205980
200380c	12319	Bobbin Winder Pulley Set Screw, for 202473
200387c	12663	Needle Bar Connecting Stud Set Screw, for 208736
200387c	12663	Presser Bar Guide Bracket Set Screw, for 202046
200390c	10706	Bobbin Case Stop Adjusting Screw, for 203966
200390c	10706	Feed Lifting Cam Set Screw, for 203948
200393c	12664	Knee Lifter Rock Lever Knee Plate Arm Collar Set Screw, for 224842
200414c	10706	Feed Driving Rock Shaft Screw Center
200415c	10706	Feed Bar Screw Center, for 203946
200415c	10706	Feed Driving Rock Shaft Crank Connection Screw Center, for 203945
200427c	12653	Arm Shaft Connection Slide Block Stud Position Screw
200431c	12663	Take-up Cam Position Screw, for 224843
200499c	12656	Presser Bar Thumb Screw (pressure regulating)
200522c	10710	Stool Seat Spindle Set Screw, for 224830
200526c	12664	Knee Lifter Rock Lever Knee Plate Set Screw, for 224824
200528c	12664	Knee Lifter Rock Lever Rod Set Screw, for 224823
200528c	12664	Knee Lifter Rock Lever Set Screw, for 224823
200575c	10710	Bed Hinge Connection Screw
200575c	10710	Spool Holder Base Screw

No.	Plate	Name
200577H	12653	Adjustable Belt Guide Attachment Screw
200577H	12653	Thread Controller Plate Screw, for 221839
200577H	12653	Throat Plate Screw
200581H	12656	Thread Controller Spring Guard Screw, for 203965
200594c	12653	Bobbin Case Tension Spring Screw, for 221813
200597F	12659	Bobbin Case Tension Regulating Screw, for 221813
200609F	12641	Balance Wheel Thumb Nut Stop Screw, for 201569
200610F	12653	Hook Gib Hinge Screw, for 208742
200611F	12653	" " Screw, for 208742
200630B	12664	Tension Stud, for 221840
200648E	10706	Feed Driving Crank Screw Stud
200667c	12663	Needle Bar Connecting Link Screw Stud, for 221843
200684c	12659	Belt Guide (back) (adjustable) Screw Stud, for 221806
200798E	12659	Belt Guide (back) Adjusting Slide Screw Stud, for 221805
200798E	12659	Belt Guide (front) (adjustable) Screw Stud
200798E	12659	Belt Guide Adjusting Lever Screw Stud, for 221809
200819c	12663	Feed Regulator and Reverser Slide Block Screw Stud, for 203947
200822c	12659	Feed Driving Crank Slide Block Screw Stud, for 203925
200822c	12659	Hook Shaft Crank Slide Block Screw Stud
200861B	12659	Belt Guide Adjusting Lever Thumb Screw, for 221808
200911D	12659	Adjustable Belt Guide Attachment Screw
200963E	12659	Arm Screw
201512E	10706	Feed Driving Rock Shaft Screw Center Nut
201525E	10706	Feed Bar Screw Center Nut, for 203946
201525E	10706	Feed Driving Crank Slide Block Screw Stud Nut, for 203925
201525E	10706	Feed Driving Rock Shaft Crank Connection Screw Center Nut, for 203945
201525E	10706	Hook Shaft Crank Slide Block Screw Stud Nut

No.	Plate	Name
201528c	12663	Hand Wheel Crank Handle Screw Nut, for 202130
201531E	10708	Feed Driving Crank Link Screw Stud Nut, for 205977
201535H	12641	Belt Guide Adjusting Lever Position Screw Nut, for 221811
201537H	12319	Bobbin Winder Stop Latch Thumb Lever Joint Screw Nut, for 227523
201556D	12659	Belt Guide (back) Adjusting Slide Screw Stud Thumb Nut, for 221811
201556D	12659	Belt Guide (front) (adjustable) Screw Stud Thumb Nut
201556D	12659	Belt Guide Adjusting Lever Screw Stud Thumb Nut
201569B	12641	Balance Wheel Thumb Nut with 200609F, for 203968
201572B	12656	Tension Thumb Nut, for 221840
201816	12656	Take up Lever Roller, for 203961
202002	12653	Arm Shaft Bushing, for 221803
202004	12653	" Position Pin
202005	12653	" Screw Washer
*202009		" Shaft Connection Cap, for 203924
202015	12641	Balance Wheel Pulley Spring Washer, for 203968
202016	12641	Balance Wheel Thumb Nut Stop Washer, for 203968
202023	12653	Face Plate Thread Guide, for 203937
202046	12663	Presser Bar Guide Bracket with 200387c
202047	12663	Presser Bar Lifter
202048	12656	" " Sleeve
*202051		Hook (sewing), for 208742
202053	12653	Bobbin
		Nos. 202055 to 202058, for 221813
202055	12653	Bobbin Case Latch
*202056		" " " Pin
202057	12653	" " " Spring
202058	12653	" " " " Plunger
202063	12653	Hook Gib, for 208742
202064	12653	Feed Regulating Handle Position Pin, for 221841
202064	12653	Hook Pin, for 208742
202068	10710	Spool Holder Base, for 204297
202074	12664	Tension Pulley, for 221840
202076	12656	" Slide 208696 with 202077
202077	12656	" " Spring, for 202076

No.	Plate	Name
202078	12664	Tension Spring, for 221840
202079	-	" Washer (felt), for 221840 ..
202084	12656	Thread Controller Roller Guard Washer, for 203965
202087	12664	Thread Controller Spring Stop, for 203937
202091	12656	Thread Retainer Sleeve, for 204059
202092	12656	" " Spring (spiral), for 204059
202095	12656	Thread Cutter
202098	12656	" Controller Roller, for 203965
*202160		Bobbin Case Latch Post, for 221813
202161	12653	" " " " Washer, for 221813
202141	10212	Balance Wheel Gear, for 221804 ..
202143		Bed Slide (front), for 202144
202144	12660	" " 202143 with 202145 and two 200144e
202145	12653	Bed Slide (front) Spring, for 202144
*202146		Hand Wheel, for 208712
		Nos. 202147 to 202120, for 202130
202147	10212	Hand Wheel 208712 with 202125, three each 200079n and 202136 ..
202148	10212	Hand Wheel Crank
202149	10212	" " " Handle (wood),
202120	12663	" " " Hinge Pin
202121	12663	" " " Lock Pin, for 208712
202123	10212	Hand Wheel Bracket with 200363 and 202140, for 205949
202124	12663	Hand Wheel Bracket Eccentric Stud, for 205949
*202125	-	Hand Wheel Gear, for 202147
202126	12653	Feed Lifting Cam Position Pin, for 203948
202126	12653	Hand Wheel Gear Position Pin, for 202147
202127	10212	Hand Wheel Latch with 202128, for 202130
202128	12663	Hand Wheel Latch Pin, for 202127
202130	-----	Hand Wheel complete, Nos. 200212i, 201528e, 202147 to 202120, 202127, 204986 and two 200319e, for 205949
202134	12659	Bobbin Winder Frame Spring, for Machine No. 11w6
202140	12659	Bobbin Winder Frame Stop Pin, for 202123

No.	Plate	Name
202141	12659	Bobbin Winder Pulley, for 221815 ..
202149	12656	Tension Release Plunger, for 221840
202168	12653	Bed Hinge Connection
202189	12659	Bobbin Winder Spindle, for 221815
202248	10710	Arm Cap Screw Washer
202302	10710	Knee Lifter Connection Lever Lifting Rod Cotter Pin, for 203972 ..
		Nos. 202470 to 202474, for 227523
202470	12320	Bobbin Winder Base
202471	12320	" " Frame
202472	12319	" " " Spring
202473	12320	" " Pulley with 200380e
202474	12320	" " Spindle
202477	12319	" " Stop Latch Thumb Lever, for 227523
202478	12319	Bobbin Winder Stop Latch Trip Lever, for 227523
		Nos. 202480 to 202483, for 202485
202480	12320	Bobbin Winder Spool Holder Base with 200355n and 202484
202481	12320	Bobbin Winder Spool Holder Base Spool Pin
202482	12319	Bobbin Winder Spool Holder Tension Disc (lower or upper)
202483	12319	Bobbin Winder Spool Holder Tension Disc Spring (brass)
202484	12319	Bobbin Winder Spool Holder Tension Disc Thread Guide, for 202480
202485	12320	Bobbin Winder Spool Holder complete, Nos. 200011i, 202480, 202481, 202483, two 202482 and one wood screw 1 in., No. 13, for 227524
202668	12659	Feed Driving Crank Slide Block, for 203925
202668	12659	Feed Regulator and Reverser Slide Block
202668	12659	Hook Shaft Crank Slide Block
203922	12660	Arm Side Plate, for 221803
203923	12660	" Shaft
203924	-	" " Connection with 202009 and two 200054e, for 203925
203925	12660	Arm Shaft Connection 203924 with 203926, two each 200822c, 201525e and 202668

Numerical List of Parts

No.	Plate	Name
203926	12653	Arm Shaft Connection Slide Block, for 203925
203927	10708	Arm Shaft Connection Slide Block Stud
203932	12653	Bobbin Case Tension Spring, for 221813
		Nos. 203934 to 203936, for 203966
203934	10706	Bobbin Case Stop
203935	10706	" " " Spring
203936	10706	" " " Bracket
203957	12643	Face Plate with 202023, 202087, 204281 and four 200368a, for 221839
203939	12642	Feed Bar with 201340, for 221844 ..
203940	10706	" " Adjusting Spring (flat), for 221844
203941	10706	Feed Bar Spring (spiral)
203943	10708	" Driving Crank, for 205977
203944	10708	" " " Link, for 205977
203945	12642	" " Rock Shaft with two each 200415c and 201525c
203946	12642	Feed Driving Rock Shaft Crank with two each 200378c, 200415c and 201525c
203947	12642	Feed Driving Rock Shaft Crank Connection with 200819c
203948	10706	Feed Lifting Cam with 200390c and 202126, for 203955
203950	10708	Feed Regulating Handle Escutcheon
*203951		" Regulator and Reverser, for 221841
203954	10708	Feed Regulator and Reverser Stop Screw Washer
203955		Hook 208742 with 203948 and 203956, for 221819
203956	12656	Hook Washer, for 203955
203957	12642	Needle Bar with 200117c, 200175b and 203967
203958	12642	Presser Bar (hollow) with 200074b
203959	12663	Needle Bar Connecting Link
203961	12664	Take-up Lever with 201816
203964	12664	Thread Controller Spring, for 203965
203965	12664	Thread Controller complete, Nos. 200300c, 200581b, 202084, 202098, 203964, 204274, 204275 and 204333, for 221839
203966	10706	Bobbin Case Stop Bracket complete, Nos. 200390c, 203934 to 203936 and 205979

Numerical List of Parts

No.	Plate	Name
203967	12663	Needle Bar Thread Guide, for 203957
203963		Balance Wheel complete, Nos. 201569b, 202015, 202016, 203969 and 208783, for Machine No. 11W7
203969	12643	Balance Wheel, 5½ in. diam. (belt groove 2½ in. diam.), with 200328c and 200335c, for 203968
		Nos. 203971 to 203973, for 203974
203971	12665	Knee Lifter Connection Lever with 203976
203972	12665	Knee Lifter Connection Lever Lifting Rod with 202302
203973	12665	Knee Lifter Lifting Lever
203974		" " Connection Lever 203971 with 203972, 203973 and two 200262a
203976	10740	Knee Lifter Connection Lever Pin, for 203971
204058	12656	Thread Retainer Stud, for 204059 ..
204059		Thread Retainer complete, Nos. 202091, 202092 and 204058, for 221839
204163	10719	Arm Cap
204189	12659	Feed Bar Spring Hook (on Bed) ..
204213	12644	" Regulator and Reverser Sleeve (split)
204234	10708	Feed Regulator and Reverser Stop Pin, for 221803
204271	12656	Tension Washer (steel), for 221840
204274	12656	Thread Controller Plate, for 203965
204275	12656	" " Roller Guard, for 203965
204281	12656	Thread Retainer Guide Wire, for 203937
204296	10710	Spool Holder Wire, for 204297
204297		Spool Holder complete, Nos. 200079a, 202068 and 204296
204333	12656	Thread Controller Spring Guard, for 203965
204340	12659	Feed Bar Spring Hook, for 203939 ..
204389	12663	Hand Wheel Crank Lock Pin Spring, for 208712
204795	12664	Thread Controller Spring Stud with 204925, for 221839
204925	12659	Bobbin Winder Spindle Washer, for 221815

No.	Plate	Name
204925	12659	Thread Controller Spring Stud Washer, for 204795
204986	12663	Hand Wheel Latch Spring, for 202130
205656	-	Tension Washer (left), for 221810
205949	-	Hand Wheel Bracket complete, Nos. 202123, 202124 and 202130, for Machine No. 11w6
205965	12653	Hook Shaft Bushing, for 221838 ..
205977	-	Feed Driving Crank 203943 with 200252c, 201531e and 203944
205979	12653	Bobbin Case Stop Hinge Pin, for 203966
205980	-	Hook Shaft Crank 208825 with two 200378c
208696	-	Tension Slide, for 202076
*208712	-	Hand Wheel 202116 with 202121 and 204389, for 202117
*208735	-	Needle Bar Connecting Stud, for 208736
208736	12656	Needle Bar Connecting Stud 208735 with two 200387c
*208741	-	Hook Shaft, 9½ in. long, for 208742
208742	12642	" 202051 with 200610e, 200611c, 202063, 202064 and 208741, for 203955
208783	12643	Balance Wheel Pulley, 2½ in. diam., for 203968
208825	12653	Hook Shaft Crank, for 205980
*221803	-	Arm with 200009a, 202002, 203922 and 204234
221804	12660	Balance Wheel with 200335c, 200338c, 202111 and two 209079a, for Machine No. 11w6
		Nos. 221805 to 221810, for 221811
221805	12661	Belt Guide (back) (adjustable) with 350093c and two 200798e
221806	12661	Belt Guide (back) Adjusting Slide with 200681c
221807	12661	Belt Guide (front) (adjustable) ..
221808	12661	" " Adjusting Lever with 200861a
221809	12661	Belt Guide Adjusting Lever Bolster with 200798e
221810	12661	Belt Guide Base Plate
221811	-	Adjustable Belt Guide Attachment complete, Nos. 201535a, 221805 to 221810, 350094b, 350095c, two 350092b and three 201556d

No.	Plate	Name
221812	-	Bobbin Case, for 221813
221813	12659	Bobbin Case complete, Nos. 200594c, 200597e, 202055 to 202058, 202109, 202101, 203932 and 221812, for 221819
221814	12659	Bobbin Winder Frame, for 221815
221815	-	Bobbin Winder complete, Nos. 202141, 202189, 204925 and 221814, for Machine No. 11w6
221816	12664	Feed Dog, for 221814
*221817	-	" Regulating Handle, for 221814
221818	12663	" Regulator and Reverser Stop
221819	-	Hook and Bobbin Case complete, Nos. 203955 and 221813
221820	12663	Presser Bar Spring
221821	12664	" Foot
221822	12664	Throat Plate, 38 needle hole, for needle sizes 23 and 24
		Nos. 221823 to 221825, for 221826
221823	12665	Knee Lifter Rock Lever with three 200528c
221824	12665	Knee Lifter Rock Lever Knee Plate with 200526c
221825	12665	Knee Lifter Rock Lever Knee Plate Arm
221826	-	Knee Lifter Rock Lever complete, Nos. 221823 to 221825, 227728 and two 221842
221827	-	Machine Base (wood) with 228092, two 227493 and four 225589, for 221837
		Nos. 221828 to 221833, for 221837 and 221885
221828	12667	Machine Base Bracket with four wood screws ¾ in., No. 12
221829	-	Machine Cover
221830	12667	Stool Base with 200522c and four wood screws 1½ in., No. 12, R.H.B.
221831	12667	Truck Axle
221832	12667	" " Bearing with three wood screws 1½ in., No. 12
221833	12663	Truck Axle Cotter Pin
		Nos. 221834 to 221836, for 221837
221834	-	Truck Body
221835	12667	" Caster with four wood screws 1½ in., No. 18; also for 221885 ..
221836	12667	Truck Wheel; also for 221885

No.	Plate	Name
221837	----	Truck complete, Nos. 41400, 221827, 221829 to 221831, 221834, 227053, two each 221832, 221833, 221835, 221836 and four 221828, for Machine No. 11w6
*221838	----	Bed with 200328c and 205965
221839	----	Face Plate complete, Nos. 2005740, 203937, 203965, 204059, 204795 and 221840
221840	----	Tension complete, Nos. 2006300, 2015720, 202074, 202078, 202079, 202149, 204271 and 205656, for 221839
221841	----	Feed Regulator and Reverser 203954 with 202064 and 221817
221842	12664	Knee Lifter Rock Lever Knee Plate Arm Collar with two 200393, for 221826
221843	12642	Take-up Cam with 200335c, 200431c and 200667c
221844	----	Feed Bar complete, Nos. 200365c, 203939, 203940, 221816 and four 200431c
221876	----	Machine Base (wood) with 228992, two 227493 and four 225589, for 221885
221877	----	Motor End Guard with four wood screws $\frac{3}{4}$ in., No. 9, R.H.B., for 221885
221878	12643	Starting Treadle with 221882, for 221880
221879	12643	Starting Treadle Bracket, for 221880
221880	12643	Starting Treadle Bracket 221879 with 221878, 221881 and two wood screws $1\frac{1}{2}$ in., No. 12, for 221885
221881	12641	Starting Treadle Hinge Pin, for 221880
221882	12643	Starting Treadle Pitman, for 221885
221883	12641	" " " Hook, for 221878
221884	----	Truck Body, for 221885
221885	----	Truck complete, Nos. 41400, 221829 to 221831, 221876, 221877, 221880, 221882, 221884, 225190, 227053, two each 221832, 221833, 221835, 221836 and four 221828, for Machine No. 11w7
225045	----	Drip Pan with four wood screws $\frac{1}{2}$ in., No. 5

No.	Plate	Name
225190	----	Belt, size $\frac{1}{4}$ in., length 39 $\frac{1}{2}$ in., with 25128, for 221885
*225482	----	Bobbin Case Screw Driver Blade, for 225497
*225483	----	Bobbin Case Screw Driver Handle, for 225497
*225484	----	Screw Driver Blade, for 225498 ...
*225485	----	" " Handle, for 225498 ...
225497	12666	Bobbin Case Screw Driver complete, Nos. 225482 and 225483
225498	12666	Screw Driver complete (7 $\frac{1}{4}$ in. long), Nos. 225484 and 225485 ..
225553	12666	Wrench (steel)
225589	----	Machine Cushion (leather), for 221827 and 221876
227053	----	Stool Seat 227134 with 227132, for 221837 and 221885
227132	12667	Stool Seat Bracket with 227556 and three wood screws $\frac{1}{2}$ in., No. 12, for 227053
227134	----	Stool Seat, for 227053
227493	12666	Machine Hinge Plate 202259 with two wood screws $\frac{3}{4}$ in., No. 120, for 221827 and 221876
227522	13319	Bobbin Winder Stop Latch, for 227523
227523	12320	Bobbin Winder complete, Nos. 2000560, 2004610, 2002210, 2015370, 202470 to 202474, 202477, 202478, 227522, three 2002990 and two round head wood screws $\frac{3}{4}$ in., No. 12, for 227524
227524	----	Bobbin Winder and Spool Holder complete, Nos. 202485 and 227523, for Machine No. 11w7
227556	12667	Stool Seat Spindle, for 227132 ...
227728	12665	Knee Lifter Rock Lever Rod, 3 in. long, with 227729, for 221826
*227729	----	Knee Lifter Rock Lever Rod Cap or Oil Guard, for 227728
228092	12666	Machine Button with one wood screw $1\frac{1}{2}$ in., No. 14, R.H.B., for 221827 and 221876
350091e	12659	Balance Wheel Adjusting Screw, for Machine No. 11w6
3500920	12659	Belt Guide (back) (adjustable) Screw, for 221811
3500930	12659	Belt Guide (back) Adjusting Slide Position Screw, for 221805

No.	Plate	Name
350094b	12659	Belt Guide Adjusting Lever Hinge Screw, for 221811
350095	12659	Belt Guide Adjusting Lever Posi- tion Screw, for 221811

**ILLUSTRATIONS OF PARTS
FOR
MACHINES
Nos. 11w6 and 11w7**

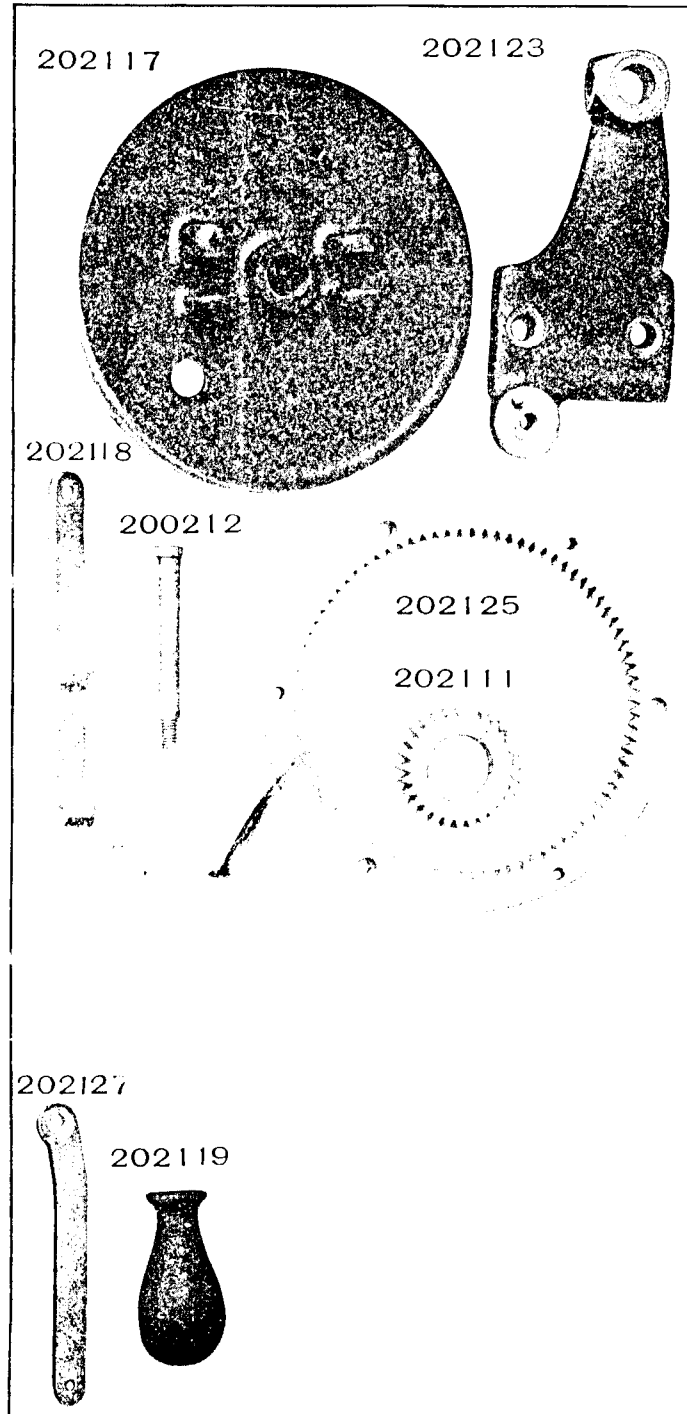


PLATE 10706—FULL SIZE

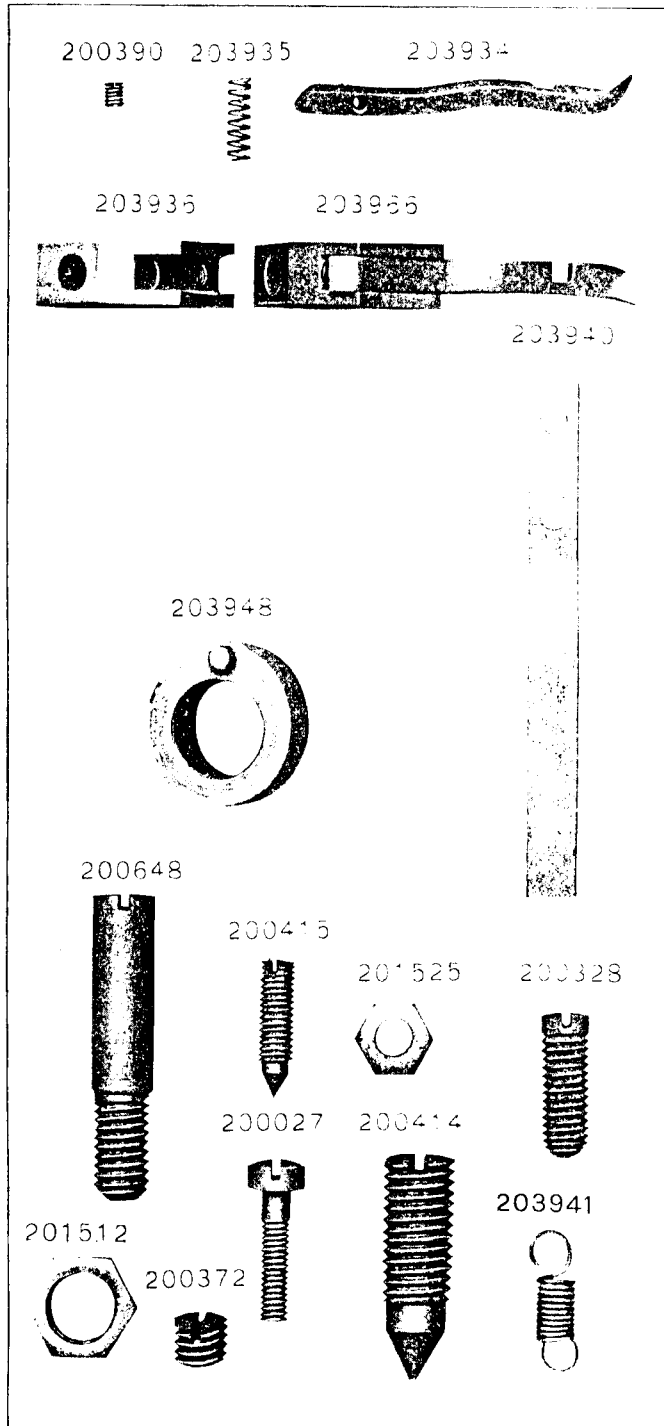


PLATE 10708—FULL SIZE

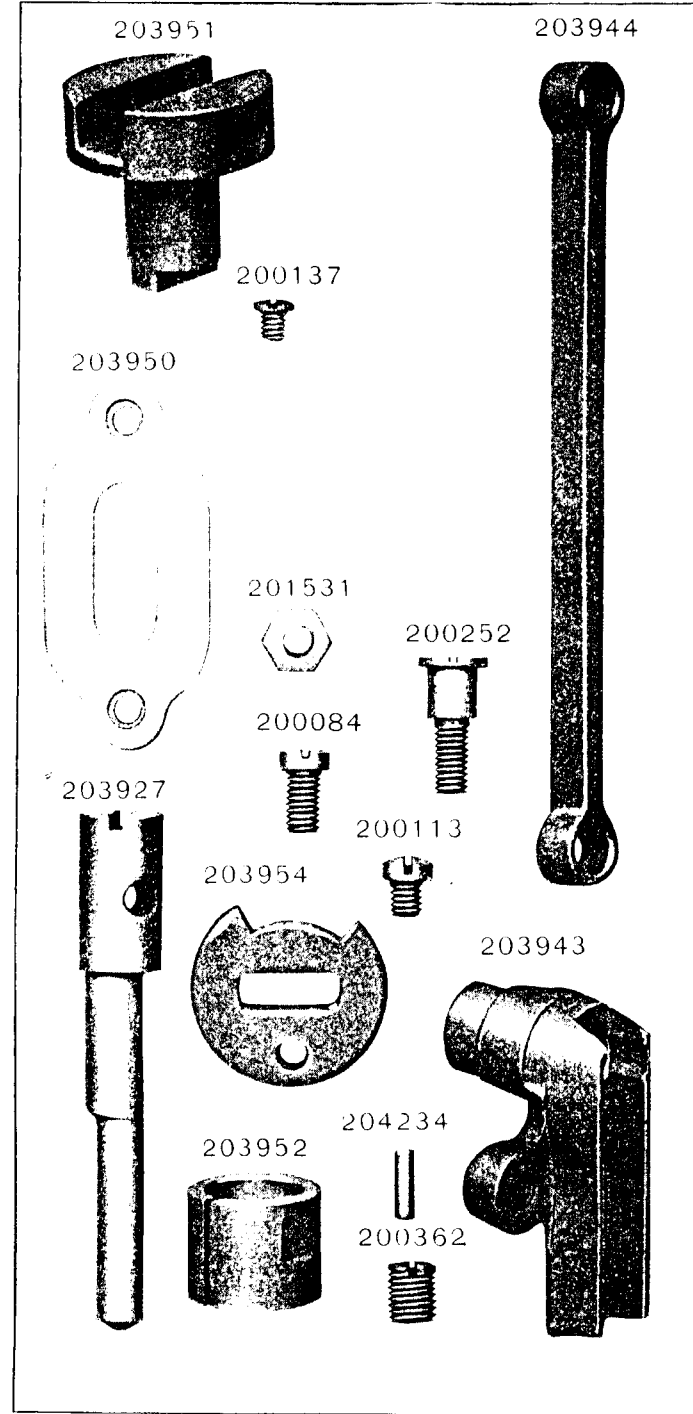


PLATE 10710—FULL SIZE

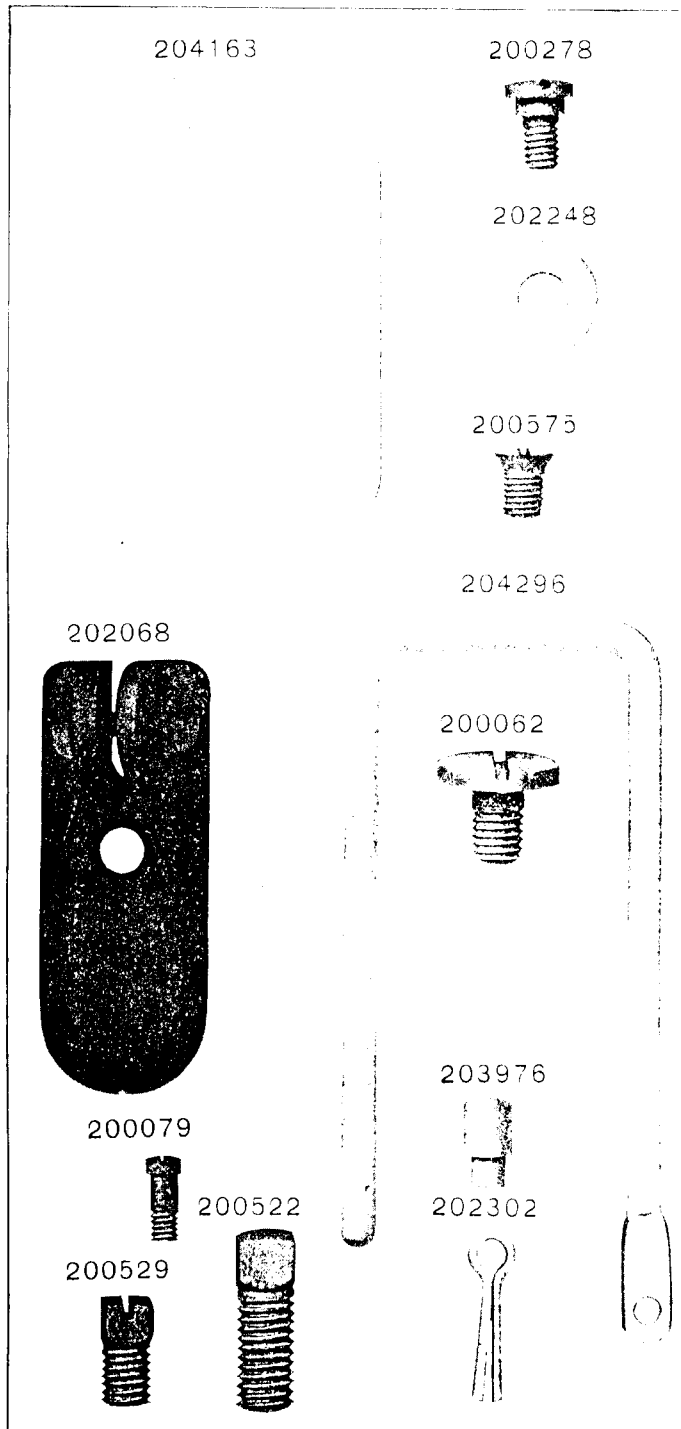


PLATE 12319—FULL SIZE

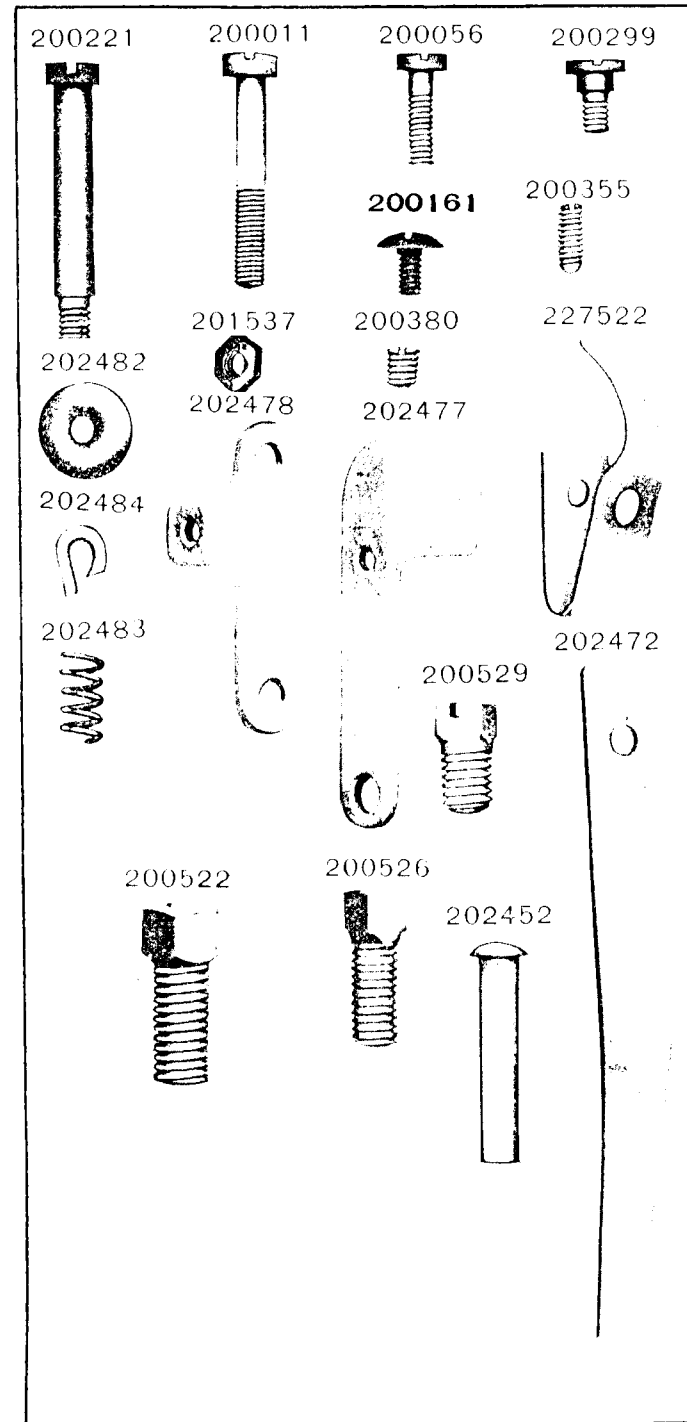


PLATE 12320—ONE-HALF SIZE

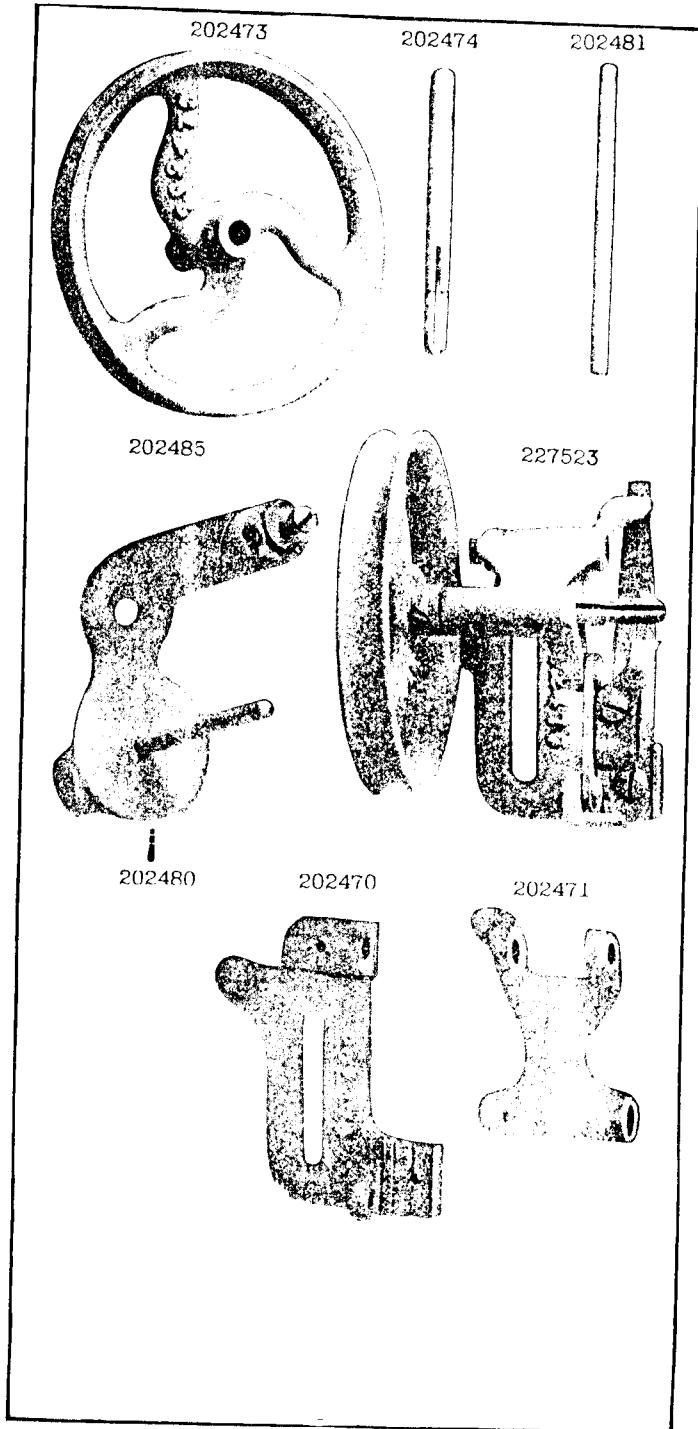


PLATE 12641—FULL SIZE

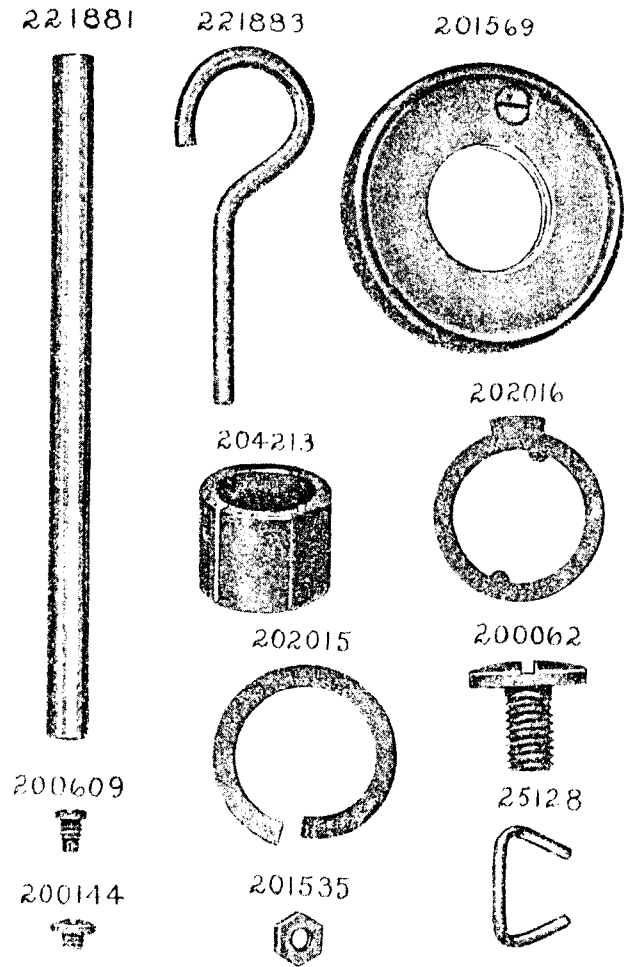


PLATE 12642—ONE-HALF SIZE

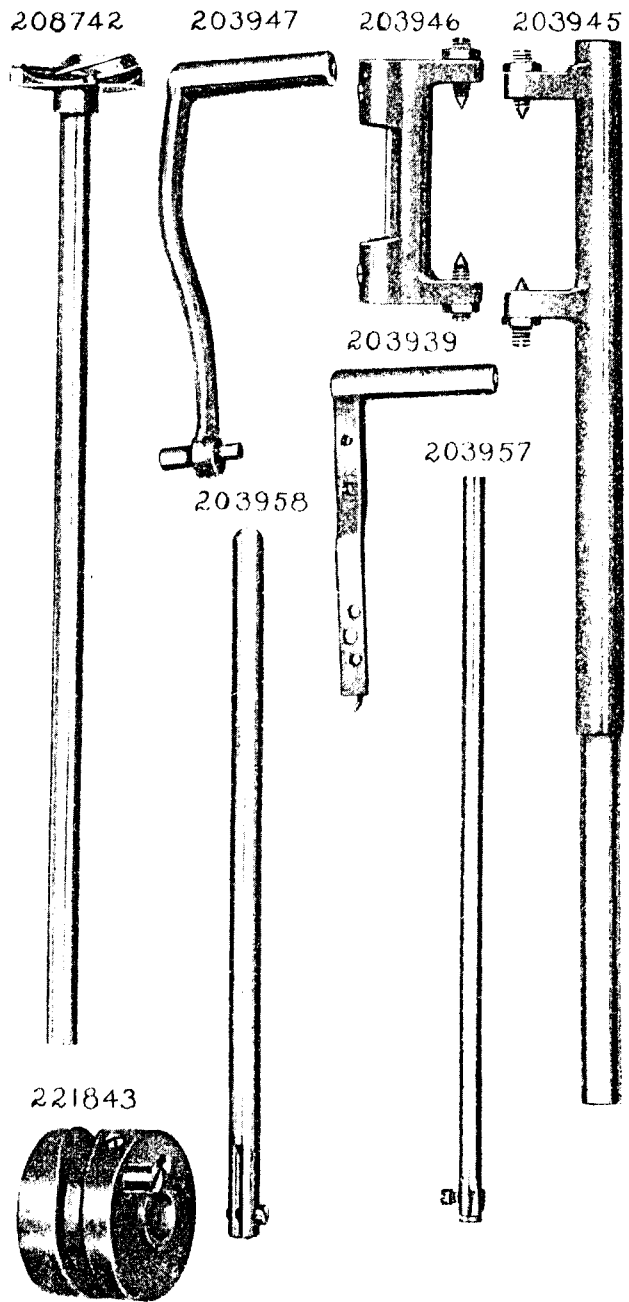


PLATE 12643—ONE-FOURTH SIZE

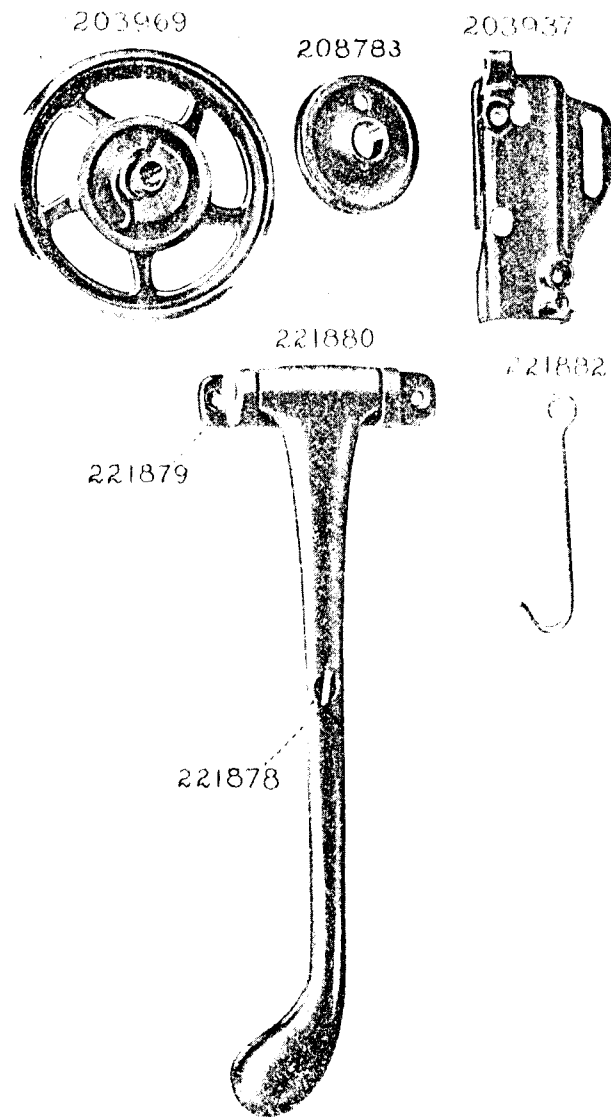


PLATE 12653—FULL SIZE

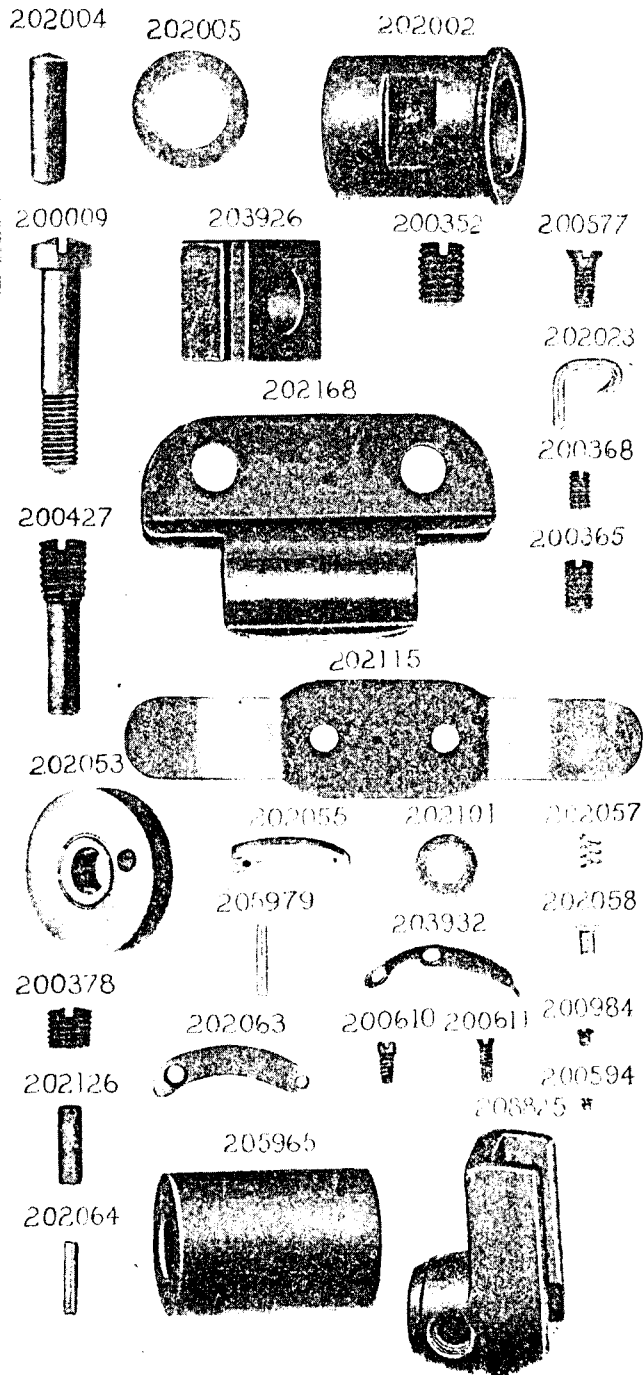


PLATE 12656—FULL SIZE

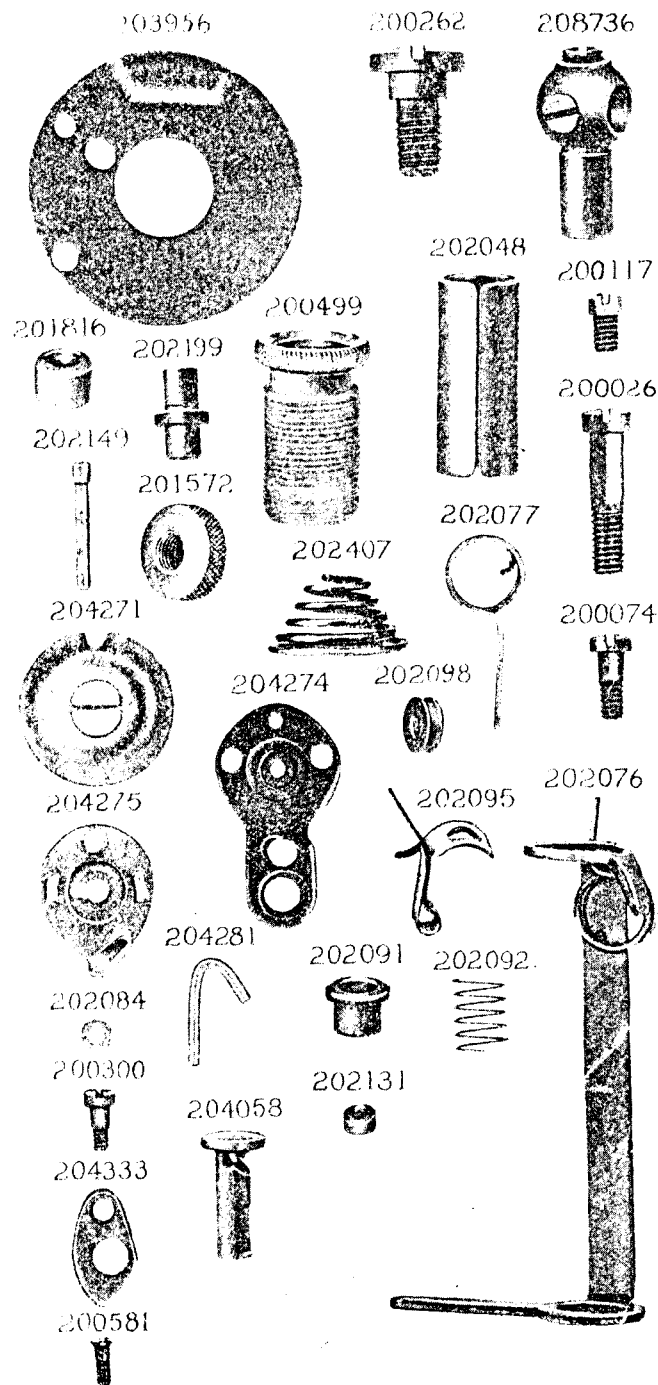


PLATE 12659—FULL SIZE

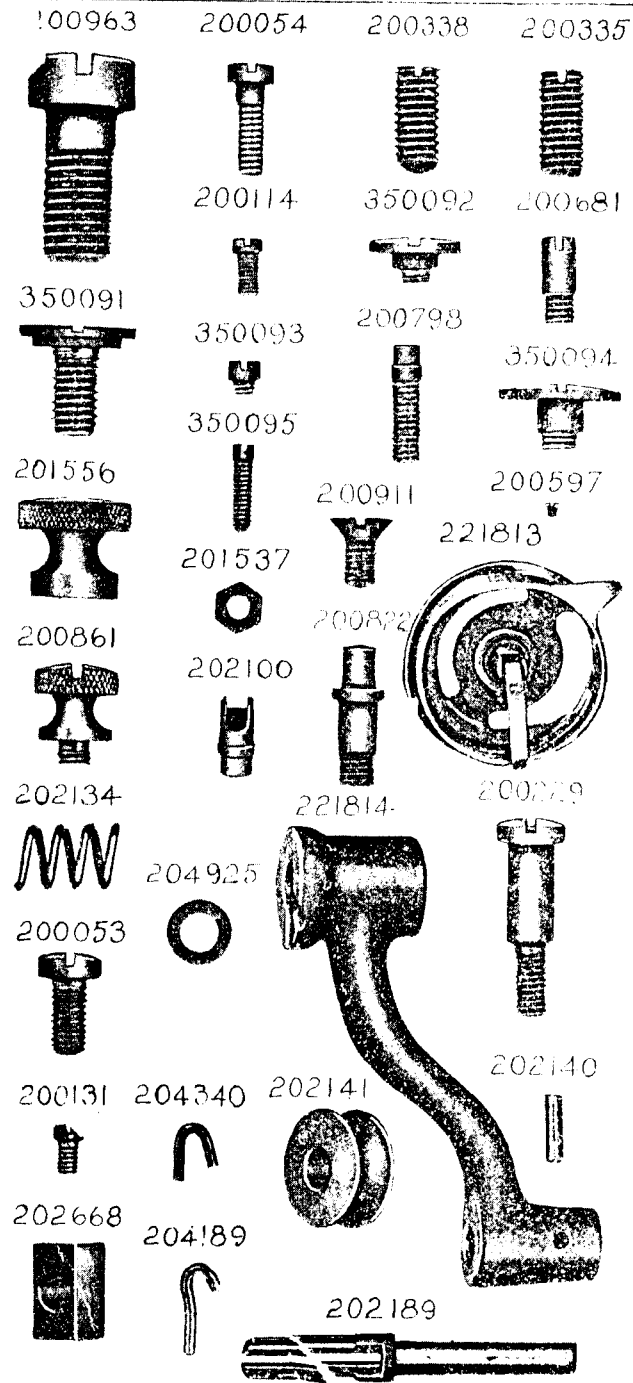


PLATE 12660—ONE-HALF SIZE

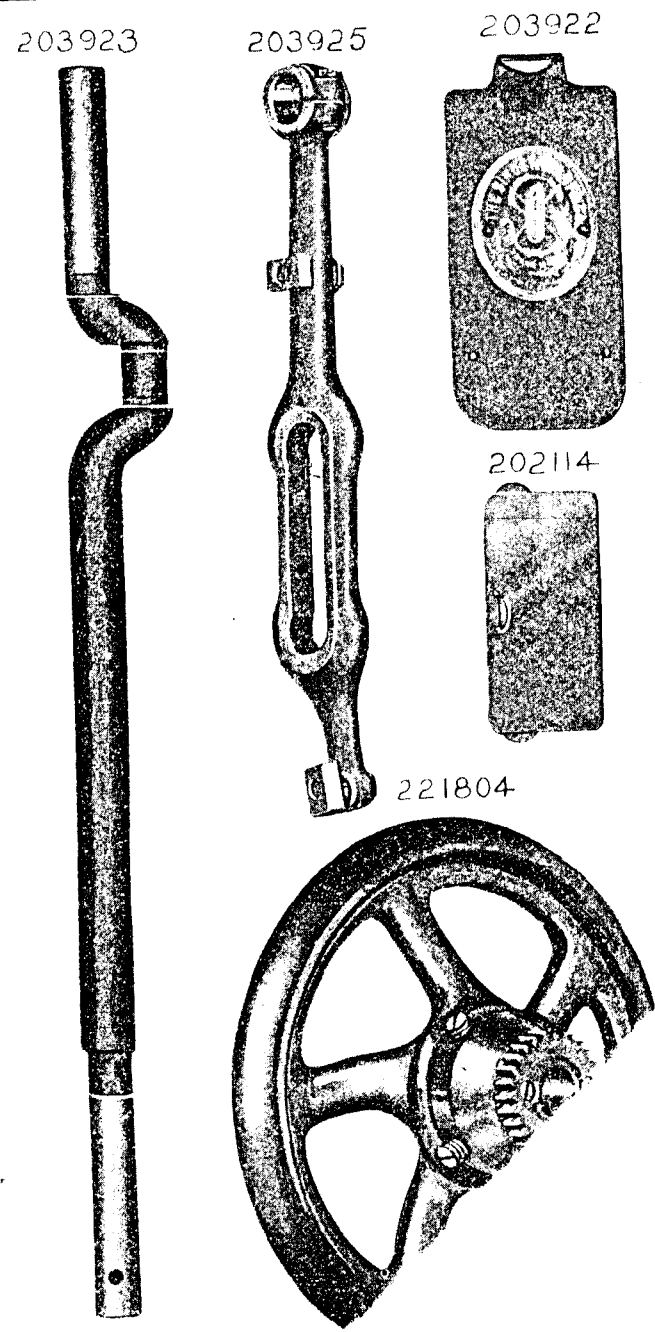
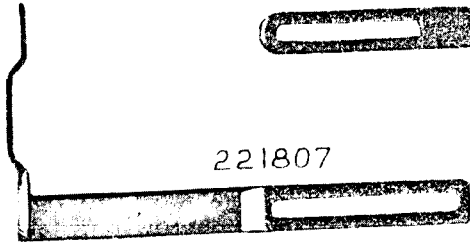
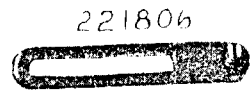
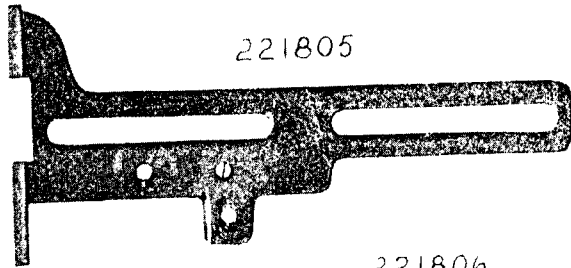


PLATE 12661—ONE-HALF SIZE



221808

221809

