

SINGER
14W2/14W3

LIST OF PARTS



MACHINES Nos. 14w2 and 14w3

THE SINGER MANUFACTURING COMPANY

INDEX

	PAGE
ACCESSORIES	20
BORRIN WINDER	20
FEED DOGS	23
KNEE LIFTER	24
MACHINE No. 14w2	7
" " 14w3	19
NUMERICAL LIST OF PARTS	25
THROAT PLATES	23

Instructions for Ordering

In ordering from this list, use **ONLY** the **PART** number in the **FIRST** column.

The number stamped on a Sewing Machine Part is the number of the Single Part only, except when the part includes Set Screws, Clamping Screws, Studs and Rollers Spun on, Small Wires riveted, or Parts soldered together, etc., which it is necessary to furnish in combination.

Every combination of parts sent out has its specific number which, although not stamped on Parts (except in above cases) must be used when ordering the combination.

Each number always indicates the **SAME PART** in whatever list it appears, or for whatever Machine.

The letters after some of the numbers indicate the style of finish only, as follows:

- A. Hardened, Polished and Plated.
- B. Polished and Plated.
- C. Hardened only.
- D. Polished only.
- E. Soft, not polished.
- F. Hardened and Polished.
- H. Blued.

These letters **MUST BE USED** when they appear in the list and **AFTER** the number, as in the list.

In this series

200001 to 201500 are Screw Numbers;

201501 to 201800 are Nut Numbers;

201801 to 202000 are Roller Numbers;

202001 and upward are numbers of Machine Parts.

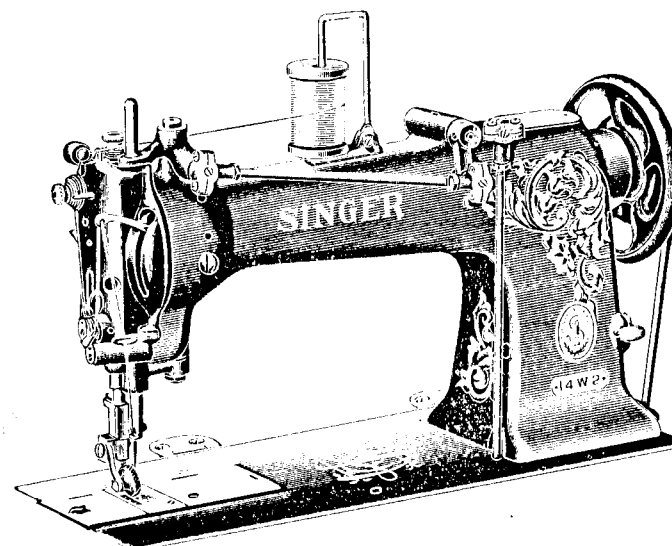
The figures in the second column refer only to the plate in which the illustration of the part is shown and are **NOT TO BE USED** in ordering.

Two or more numbers over a cut indicate that the difference between such parts is not visible in an illustration.

Parts marked with an asterisk (*) are furnished only when repairs are made at the factory.

LIST OF PARTS COMPLETE

FOR



MACHINE No. 14w2

DROP FEED. TRIPLE STITCH

For Glove Work.

No.	Plate	Name
*215758	--	Arm with 202036 and 208477
201163	11452	" Cap
200278H	12311	" " Screw
202248H	12307	" " " Washer
204235	10435	" Position Pin (2)
200963E	12311	" Screw (3)
202005	10673	" " Washer (3)
204803	11450	" Shaft
204801	10498	" " Bushing (back) with 202260
202260	---	Arm Shaft Bushing (back) Oil Packing (wick)
200338c	10502	Arm Shaft Bushing (back) Set Screw

Parts for Machine No. 14w2

No.	Plate	Name
204802	10498	Arm Shaft Bushing (front) with 202036 and 202260
202260	---	Arm Shaft Bushing (front) Oil Packing (wick)
200502n	11452	Arm Shaft Bushing (front) Oil Packing Thumb Screw
202036	11452	Arm Shaft Bushing (front) Position Pin
200352c	10499	Arm Shaft Bushing (front) Set Screw
204804	11450	Arm Shaft Connection with four 200054e (2)
200054e	12307	Arm Shaft Connection Screw
204805	11450	Balance Wheel, 5½ in. diam. (belt groove 2¾ in. diam.), with 200382c and 200335c
200062n	12311	Balance Wheel Adjusting Screw ..
200328c	12311	" " Position Screw
200335c	12311	" " Set Screw
*204806	-----	Bed with 202062, 204393, 204799 and two 200516e
202258	12153	Bed Hinge Connection (2)
200570e	12311	" " " Screw (4)
206105	11451	" Slide (back)
204177	11451	" " (front)
204178	11454	Bobbin
208382	-----	" Case (solid center bearing) with 204181
204181	-----	Bobbin Case Position Finger
204531	11454	" " Tension Spring
200598c	11454	" " " " " Regulat- ing Screw
200592c	11454	Bobbin Case Tension Spring Screw
208383	11454	Bobbin Case complete, Nos. 200592c, 200598c, 204531 and 208382
204808	11450	Face Plate with 200366n, 200368n, 200685e, 202087, 202090, 204185, 204281 and two 200397n
200065c	11456	Face Plate Screw (2)
204185	10435	" " Thread Guide
200397n	12349	" " " " " Set Screw
204809	11450	Face Plate complete, Nos. 200309c, 200577n, 202088, 204059, 204272, 204280, 204808 and 208440
204187	10435	Feed Bar with 204189
204423	---	" " 204187 with 200214e, 201525e and 204200
200214e	10435	Feed Bar Hinge Screw
201525e	10435	" " " " " Nut
204188	10435	" " Spring

Parts for Machine No. 14w2

No.	Plate	Name
204189	10435	Feed Bar Spring Hook
207614	11453	" Dog
200106c	12311	" " Screw (2)
208455	10501	" Driving Cam Gear, 54 teeth, with 200383c and 200441c
200411c	11456	Feed Driving Cam Gear Position Screw
201816	12307	Feed Driving Cam Gear Roller
201824	-----	" " " " " " 201816 with 200763c
201841	10501	Feed Driving Cam Gear Roller 201824 with 201517e
200763c	11452	Feed Driving Cam Gear Roller Stud
204812	10501	Feed Driving Cam Gear Roller Stud Crank with 200363c and 200437c
206202	11452	Feed Driving Cam Gear Roller Stud Crank 204812 with 201841
200437c	12311	Feed Driving Cam Gear Roller Stud Crank Position Screw
200363c	10501	Feed Driving Cam Gear Roller Stud Crank Set Screw
*204928	-----	Feed Driving Cam Gear Roller Stud Crank Shaft
200002e	11452	Feed Driving Cam Gear Roller Stud Crank Shaft Connection Hinge Screw
201522e	10673	Feed Driving Cam Gear Roller Stud Crank Shaft Connection Hinge Screw Nut
204815	10501	Feed Driving Cam Gear Roller Stud Crank Shaft Lever with 204293 and 204928
204193	11451	Feed Driving Cam Gear Roller Stud Crank Shaft Lever Connection with 200668c and 201525e ..
204194	12306	Feed Driving Cam Gear Roller Stud Crank Shaft Lever Connection Clamp with 200031e
200031e	12311	Feed Driving Cam Gear Roller Stud Crank Shaft Lever Connection Clamp Pinch Screw
200668c	11452	Feed Driving Cam Gear Roller Stud Crank Shaft Lever Connection Clamp Screw Stud
201525e	10435	Feed Driving Cam Gear Roller Stud Crank Shaft Lever Connection Clamp Screw Stud Nut ..

No.	Plate	Name
204293	11452	Feed Driving Cam Gear Roller Stud Crank Shaft Lever Position Pin
204196	12307	Feed Driving Cam Gear Roller Stud Crank Shaft Sleeve (split)
200362c	12311	Feed Driving Cam Gear Roller Stud Crank Shaft Sleeve Set Screw
200881	10501	Feed Driving Cam Gear Roller Stud Crank Shaft Sleeve Set Screw 200362c with 201616e
201616e	11456	Feed Driving Cam Gear Roller Stud Crank Shaft Sleeve Set Screw Nut
201517e	11452	Feed Driving Cam Gear Roller Stud Nut
204817	---	Feed Driving Cam Gear Roller Stud Crank Shaft Lever complete, Nos. 204194 and 204815 ...
200383c	12311	Feed Driving Cam Gear Set Screw
204818	11450	" " " " Shaft
204819	10498	" " " " " Bearing with two 202126
202126	10499	Feed Driving Cam Gear Shaft Bearing Position Pin
200036e	10502	Feed Driving Cam Gear Shaft Bearing Screw (2)
225532	10502	Feed Driving Cam Gear Shaft Bearing Screw Washer (2)
204246	11452	Feed Driving Cam Gear Shaft Collar with two 200383c
200383c	12311	Feed Driving Cam Gear Shaft Collar Set Screw
206609	---	Feed Driving Pinion, 18 teeth
204820	10501	" " " " 206609 with 200383c and 200438c
200438c	10501	Feed Driving Pinion Position Screw
200383c	12311	" " " " Set Screw
204821	11450	" " Rock Shaft
213931	---	" " " " 204821 with 200002e, 201522e and 204193
202305c	12307	Feed Driving Rock Shaft Center (2)
200043c	12311	Feed Driving Rock Shaft Center Set Screw
204200	10435	Feed Driving Rock Shaft Crank with 204189 (on left side) and two 200383c
200383c	12311	Feed Driving Rock Shaft Crank Set Screw

No.	Plate	Name
204822	10502	Feed Lifting Cam with 200383c, 200441c and 204020
200441c	11456	Feed Lifting Cam Position Screw
201822	11452	" " " " Roller
201843	10502	" " " " 201822 with 200249e and 201525e
200249e	11452	Feed Lifting Cam Roller Stud
204824	11452	" " " " " Crank with 200027e
204020	---	Feed Lifting Cam Roller Stud Crank Cushion (leather)
200027e	10673	Feed Lifting Cam Roller Stud Crank Pinch Screw
204825	10502	Feed Lifting Cam Roller Stud Crank Spring
201525e	10435	Feed Lifting Cam Roller Stud Nut
204826	10502	Feed Lifting Cam Roller Stud Crank complete, Nos. 201843 and 204824
200383c	12311	Feed Lifting Cam Set Screw
204203	11451	" " Rock Shaft with 204264
204502	---	" " " " 204203 with 204205
202305c	12307	Feed Lifting Rock Shaft Center (2)
200043c	12311	" " " " " Set Screw (2)
204204	---	Feed Lifting Rock Shaft Slide Block
204205	10437	Feed Lifting Rock Shaft Slide Block 204204 with 200248e and 201531e
200248e	10437	Feed Lifting Rock Shaft Slide Block Hinge Screw
201531e	10437	Feed Lifting Rock Shaft Slide Block Hinge Screw Nut
204264	10673	Feed Lifting Rock Shaft Slide Block Position Pin
204206	12306	Feed Regulating Handle
204288	---	" " " " 204206 with 200098e, 202622, 204208, 204209, 204213, 204289 and 204925
204208	12307	Feed Regulating Handle Adjustable Stop
200098e	12307	Feed Regulating Handle Adjustable Stop Screw
204925	12306	Feed Regulating Handle Adjustable Stop Screw Washer
204209	12307	Feed Regulating Handle Position Pin

No.	Plate	Name
204289	11451	Feed Regulating Handle Shaft
204211	12306	" " " " Crank with 200098f
204212	12307	Feed Regulating Handle Shaft Crank Link
200271e	12311	Feed Regulating Handle Shaft Crank Link Hinge Screw (lower)
200291e	12307	Feed Regulating Handle Shaft Crank Link Hinge Screw (upper)
200098f	12307	Feed Regulating Handle Shaft Crank Set Screw
204213	12307	Feed Regulating Handle Shaft Sleeve (split)
200362c	12311	Feed Regulating Handle Shaft Sleeve Set Screw
202622	12306	Feed Regulating Handle Shaft Sleeve Washer
202036	11452	Feed Regulating Handle Stop Pin
204298	----	Feed Regulating Handle complete, Nos. 200291e, 204211, 204212 and 204288
204216	11454	Hook (sewing) with 204217
204217	----	" Bobbin Case Stud
204218	10446	" Bracket with 200379c and three 204234
204219	10448	Hook Bracket 204218 with 204226c
204221	----	" " 204219 with 204222, 204224, 204225, 204232, two each 204223 and 204233
200379c	10446	Hook Bracket Adjusting Screw (lower)
200334c	11454	Hook Bracket Adjusting Screw (upper)
204222	10446	Hook Bracket Bobbin Case Stop (hinged)
204223	10448	Hook Bracket Bobbin Case Stop Hinge Pin
204224	10446	Hook Bracket Bobbin Case Stop Latch
204223	10448	Hook Bracket Bobbin Case Stop Latch Hinge Pin
204225	10446	Hook Bracket Bobbin Case Stop Latch Spring
200562c	10446	Hook Bracket Screw (lower)
200564c	10446	" " " (upper)
204237	10450	Hook Bracket complete, Nos. 204216 and 204221
208478	11454	Hook Driver with 204242 and 204243
208246	----	" " Crank

No.	Plate	Name
204240	11452	Hook Driver Crank 208246 with 200378c, 200662c, 201530e and two 200348c
204241	10437	Hook Driver Crank Link
200669c	10448	" " " " Stud
201530e	10448	" " " " Nut
200348c	10448	" " " Set Screw (long)
200378c	12311	" " " " (short)
200662c	10448	" " " Stud
201530e	10448	" " " Nut
204243	11454	" " Pin
204242	11454	" " Washer
204295	11450	" Driving Shaft
204799	11451	" " Bearing
202126	10499	" " " " Position Pin
200516e	12311	Hook Driving Shaft Bearing Screw
204393	10670	" " " Bushing
204246	11452	" " " Collar with two 200383c
200383c	12311	Hook Driving Shaft Collar Set Screw
204201	10437	Hook Driving Shaft Crank with 200335c, 200431c, 200669c and 201530e
200431c	10437	Hook Driving Shaft Crank Position Screw
200335c	12311	Hook Driving Shaft Crank Set Screw
204226c	11454	Hook Race, .156 in thick, 1.906 in. diam.
204232	10448	Hook Race Cap (steel)
204230	10446	" " " Spring
204233	10448	" " " 204230 with 200802e
200802e	10448	Hook Race Cap Spring Screw
204234	10446	" " Position Pin
202445	10936	Knee Lifter Connection Lever with 202446
227313	----	Knee Lifter Connection Lever 202445 with 200224n, 200262n, 227303 and 227309
200224n	12306	Knee Lifter Connection Lever Hinge Screw
227309	11450	Knee Lifter Connection Lever Lift- ing Rod with 202302
202302	11456	Knee Lifter Connection Lever Lift- ing Rod Cotter Pin
202446	12306	Knee Lifter Connection Lever Pin

No.	Plate	Name
227303	11450	Knee Lifter Lifting Lever
200262II	12306	" " " " Hinge Screw
204827	10498	Needle Bar (hollow) with 200125E, 200175D and 204250
204828	10499	Needle Bar Connecting Link
200658c	12307	" " " " Hinge Screw Stud
201519c	12307	Needle Bar Connecting Link Hinge Screw Stud Nut
204249	11455	Needle Bar Connecting Stud with 200072c and 202277
202277	- -	Needle Bar Connecting Stud Oil Packing (wick)
200072c	11455	Needle Bar Connecting Stud Pinch Screw
204829	10498	Needle Bar Frame
208442	11455	" " " Driving Crank with 200382c and 200917c
208446	11451	Needle Bar Frame Driving Crank Connection (9½ in. long)
208474	- - -	Needle Bar Frame Driving Crank Connection 208446 with two each 201525E and 208473
208472	11455	Needle Bar Frame Driving Crank Connection Ball Bearing with two 200069c
200069c	11455	Needle Bar Frame Driving Crank Connection Ball Bearing Cap Screw
201525E	10435	Needle Bar Frame Driving Crank Connection Ball Bearing Check Nut
200992c	11455	Needle Bar Frame Driving Crank Connection Ball Screw
200879	---	Needle Bar Frame Driving Crank Connection Ball Screw 200992c with 201524E
201524E	10673	Needle Bar Frame Driving Crank Connection Ball Screw Nut
208473	---	Needle Bar Frame Driving Crank Connection Ball Bearing com- plete, Nos. 200879 and 208472 ..
208450	11455	Needle Bar Frame Driving Crank Connection Bell Crank with 200387c and 200447c
200447c	11455	Needle Bar Frame Driving Crank Connection Bell Crank Position Screw

No.	Plate	Name
200387c	11455	Needle Bar Frame Driving Crank Connection Bell Crank Set Screw
202899	10499	Needle Bar Frame Driving Crank Connection Bell Crank Stud
208477	11455	Needle Bar Frame Driving Crank Connection Stud Bushing
200917	11456	Needle Bar Frame Driving Crank Position Screw
200382c	10502	Needle Bar Frame Driving Crank Set Screw
208451	11451	Needle Bar Frame Pitman (7½ in. long)
208475	- - -	Needle Bar Frame Pitman 208451 with two each 201525E and 208473
208472	11455	Needle Bar Frame Pitman Ball Bearing with two 200069c
200069c	11455	Needle Bar Frame Pitman Ball Bearing Cap Screw
201525E	10435	Needle Bar Frame Pitman Ball Bearing Check Nut
200992c	11455	Needle Bar Frame Pitman Ball Screw
200879	---	Needle Bar Frame Pitman Ball Screw 200992c with 201524E
201524E	10673	Needle Bar Frame Pitman Ball Screw Nut
208473	---	Needle Bar Frame Pitman Ball Bearing complete, Nos. 200879 and 208472
204843	10499	Needle Bar Frame Position Stud (lower)
204844	10499	Needle Bar Frame Position Stud (upper)
200383c	12311	Needle Bar Frame Position Stud Set Screw (2)
204250	11455	Needle Bar Thread Guide
200175D	11455	" " " " Screw ..
200125E	11455	" Set Screw
203779	11455	Presser Bar Bushing
200399c	10499	" " " Set Screw
204252	10670	" " Lifter
200550c	12311	" " " Hinge Screw ..
208609	10670	" " Lifting Bracket
204846	10499	" " " " 208609 with 200387c
204254	12307	Presser Bar Lifting Bracket Posi- tion Guide
200362c	12311	Presser Bar Lifting Bracket Posi- tion Guide Set Screw

No.	Plate	Name
200387c	11455	Presser Bar Lifting Bracket Set Screw
204255	10670	Presser Bar Spring
200494h	11455	" " Thumb Screw (pressure regulating)
201910	12225	Roller Presser, $\frac{3}{8}$ in. diam., $\frac{1}{4}$ in. face (coarse), with 200551f and 201534h
204328		Roller Presser Arm
204570	12225	" " " 204328 with 201910
202560	12225	Roller Presser Arm Bracket (swing)
204575		Roller Presser Arm Bracket 202560 with 200096d and 204570
200675c	12225	Roller Presser Arm Bracket Position Screw Stud
202558	12225	Roller Presser Arm Bracket Spring
204847	11455	" " " " " " " " Stop and Needle Guard
200141f	12225	Roller Presser Arm Bracket Spring Stop and Needle Guard Screw ..
200096d	12225	Roller Presser Arm Screw
204495	12225	" " Bar
200551f	12225	" " Hinge Screw
201534h	12225	" " " " Nut
204849	----	Roller Presser and Bar complete, Nos. 200675c, 202558, 204495, 204575, 204847 and two 200141f
202068	12153	Spool Holder Base
200575h	12311	" " " Screw
204296	12153	" " Wire
200079h	12311	" " " Hinge Screw ..
204297	12153	Spool Holder complete, Nos. 200079h, 202068 and 204296
208479	----	Take-up Cam with 200335c, 200383c and 200430c
203172	12307	Take-up Cam Friction Washer
200430c	12311	" " Position Screw
200383c	12311	" " " " Check Screw
200335c	12311	Take-up Cam Set Screw
208480	11451	Take-up Cam complete, Nos. 200658c, 201519c and 208479
204262	10673	Take-up Lever
206556		" " 204262 with 204263 ..
204263	10673	" " Bearing with 204264 ..
204264	10673	" " " Position Pin ..
200042f	12311	" " " Screw

No.	Plate	Name
201816	12307	Take-up Lever Roller
204266	10673	Take-up Lever complete, Nos. 200042f, 201816 and 206556
202402	12349	Tension Disc
202090	12349	" " Position Pin
208440	11456	" Release Lever
200685f	11456	" " " Position Screw ..
200309f	12349	" " " Screw
202075	12349	" " Plunger
204848	10499	" " Slide with 203695
203695	11455	" " Spring
202407	12349	" Spring
200632b	12349	" Stud
200397h	12349	" " Set Screw
201572b	12349	" Thumb Nut
204271	12349	" Washer
204272	12349	Tension complete, Nos. 200632b, 201572b, 202075, 202407, 204271 and two 202402
204274	12349	Thread Controller Plate
200577h	12311	" " " Screw
202098	12349	Thread Controller Roller
204275	12349	" " " Guard
202084	12349	" " " " Washer
200300c	12349	Thread Controller Roller Screw ..
204276	12349	" " Spring
204333	12349	" " " Guard
200581h	12349	" " " " Screw
202087	12349	" " " Stop
202088	12349	" " " Stud with 204925
200366h	12349	Thread Controller Spring Stud Set Screw
204925	12306	Thread Controller Spring Stud Washer
205987	12349	Thread Controller complete, Nos. 200300c, 200581h, 202084, 202098, 204274, 204275 and 204333
204280	12349	Thread Controller and Spring complete, Nos. 204276 and 205987 ..
204281	12349	Thread Retainer Guide Wire
202091	12349	" " Sleeve
202092	12349	" " Spring
204058h	12349	" " Stud
200368h	12349	" " " Set Screw
204059	12349	Thread Retainer complete, Nos. 202091, 202092 and 204058h

No.	Plate	Name
207333	11453	Throat Plate, 60 elongated needle hole, for needle sizes 9 to 11
202062	11455	Throat Plate Position Pin
200577H	12311	" " Screw

MACHINE No. 14w3

DROP FEED. TRIPLE STITCH

For Cloth Work

The same as Machine No 14w2 with the following exceptions:

No.	Plate	Name
207605	11456	Feed Dog, in place of 207611
204251	- - -	Presser Bar (hollow) with 200074F, in place of 204495
202090	12349	Presser Foot Hinge Pin
203013	11456	" " Plate
215911	- - -	" " Shank
229882	11456	Presser Foot (hinged) complete, Nos. 202090, 203013 and 215911, in place of 204849
200074F	11456	Presser Foot Screw
204811	11456	Throat Plate, 46 elongated needle hole, for needle sizes 20 and 22, in place of 207333

ACCESSORIES

FOR MACHINE NO. 14w2

No.	Plate	Name
204178	11454	Bobbin (5)
*225482		" Case Screw Driver Blade ..
*225483		" " " " Handle ..
225497	12153	Bobbin Case Screw Driver complete, Nos. 225482 and 225483 ..
225487	11456	Roller Presser Hinge Screw Nut Wrench
130x17		Needles, six, size 12
225191		Drip Pan with four wood screws $\frac{1}{2}$ in. No. 5
41400	12153	Machine Rest Pin (wood)
36578	12153	Oiler with 36579
36579	12153	" Spout, $3\frac{1}{2}$ in. long, with 120117 ..
120117		" " Washer
*225484		Screw Driver Blade
*225485		" " Handle
225498	12153	Screw Driver complete, (7 $\frac{1}{4}$ in. long) Nos. 225484 and 225485 ..
225554	12153	Wrench (steel)

BOBBIN WINDER

Swing Automatic, Right Hand.

*225451		Bobbin Holder
225453	10882	Frame with 202277 and 225438
225454	10882	" Hinge Pin
202277		" Oil Packing (wick)
225438	10882	" " Well Cap
225455	10882	" Spring
225456	10882	" " Plunger
202473	10883	Pulley with 200380c
225457	10882	" Friction Stud
200380c	12319	" Set Screw
*225443		Spindle
225452	10882	" 225443 with 225451
225444	10882	Stop Latch
200056E	10882	" " Screw
225458	10882	" " Thumb Lever
225459	10882	" " " " Hinge Stud ..
225460	10882	" " " " Joint Stud ..
202478	10882	" " Trip Lever
200299H	10882	" " " " Hinge Screw ..

No.	Plate	Name
225461	10881	Tension Bracket with 201499n ..
200082c	10881	" " Screw
202104	10881	" " " Washer
2102	10881	" Disc
202407	10881	" Spring
201499n	10881	" Stud
201572n	10881	" " Thumb Nut
225462	10881	Bobbin Winder Tension Bracket complete, Nos. 201572n, 202407, 225461 and two 2102
225463	10883	Bobbin Winder and Tension Bracket Base
225436	10883	Universal Bobbin Winder complete, Nos. 200056E, 200082c, 200299n, 202104, 202473, 202478, 225444, 225452 to 225460, 225462, 225463 and two round head wood screws $\frac{1}{2}$ in., No. 13

KNEE LIFTER

227781	10936	Knee Lifter Rock Lever with 200522c and 200529c
227782		Knee Lifter Rock Lever 227781 with two each 202451 and 202452 ..
227787		Knee Lifter Rock Lever 227782 with 202203 and 227784
202453	10936	Knee Lifter Rock Lever Knee Plate with 200526c
202203		Knee Lifter Rock Lever Knee Plate 202453 with 202454
202454	10936	Knee Lifter Rock Lever Knee Plate Arm (long)
200522c	12319	Knee Lifter Rock Lever Knee Plate Arm Set Screw
200526c	11456	Knee Lifter Rock Lever Knee Plate Set Screw
202451	10936	Knee Lifter Rock Lever Lug with two wood screws, $\frac{3}{4}$ in. No. 13n ..
202452	12319	Knee Lifter Rock Lever Lug Hinge Pin
227784	10936	Knee Lifter Rock Lever Rod $3\frac{1}{2}$ in. long, with 227785
*227785		Knee Lifter Rock Lever Rod Cap or Oil Guard
200529c	12319	Knee Lifter Rock Lever Rod Set Screw

(Other Knee Lifter Parts are listed with parts of machine head)

FOR MACHINE No. 14w3

Same as for No. 14w2 with the following exceptions:

No.	Plate	Name
130x17	- ---	Needles, six, size 16, in place of 130x17, size 12
225487	----	(Roller Presser Hinge Screw Nut Wrench, not used)

FEED DOGS

FOR MACHINE No. 14w2

No.	Plate	Name
207614	11453	Feed Dog, for 207333, 207355 and 207458
207615	11453	Feed Dog, for fine work, for 207333, 207355 and 207458

THROAT PLATES

FOR MACHINE No. 14w2

207333	11453	Throat Plate, 60 elongated needle hole, for needle sizes 9 to 11, for 207614 and 207615
207355	11453	Throat Plate, 50 elongated needle hole, for needle sizes 16 and 18, for 207614 and 207615
207458	11453	Throat Plate, 46 elongated needle hole, for needle sizes 20 and 22, for 207614 and 207615

OBSOLETE PARTS

No.	Plate	Name
202470	12320	Bobbin Winder Base
202471	12320	" " Frame
202472	12319	" " " Spring
202474	12320	" " Spindle
227522	12319	" " Stop Latch
202477	12319	" " " Thumb Lever
227523	12320	Bobbin Winder complete, Nos. 2000561, 2001610, 2002210, 2015370, 202470 to 202474, 202477, 202478, 227522, three 2002990 and two round head wood screws 1 in., No. 13
202480	12320	Bobbin Winder Spool Holder Base with 2003550 and 202481
202481	12320	Bobbin Winder Spool Holder Base Spool Pin
202482	12319	Bobbin Winder Spool Holder Ten- sion Disc (lower or upper)
202483	12319	Bobbin Winder Spool Holder Ten- sion Disc Spring (brass)
202484	12319	Bobbin Winder Spool Holder Ten- sion Disc Thread Guide
202485	12320	Bobbin Winder Spool Holder com- plete, Nos. 2000110, 202480, 202481, 202483, two 202482 and one wood screw 1 in., No. 13

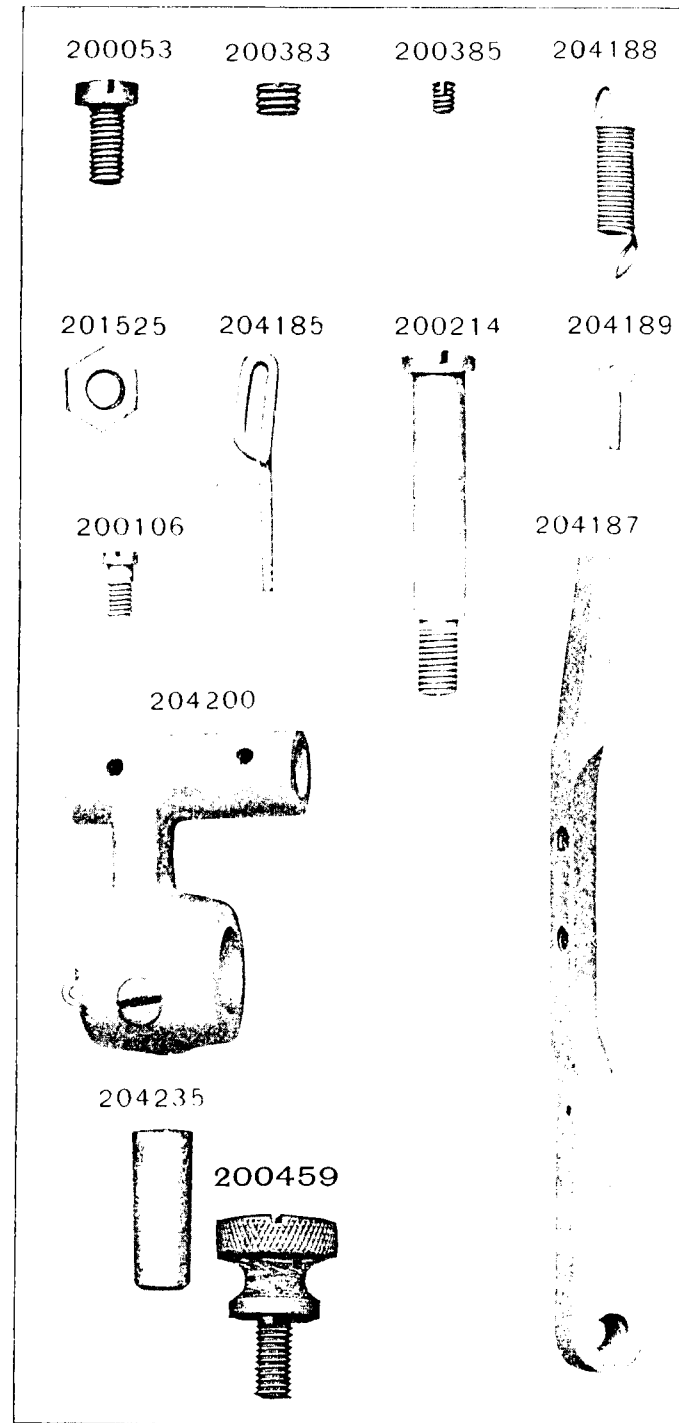


PLATE 10437-FULL SIZE

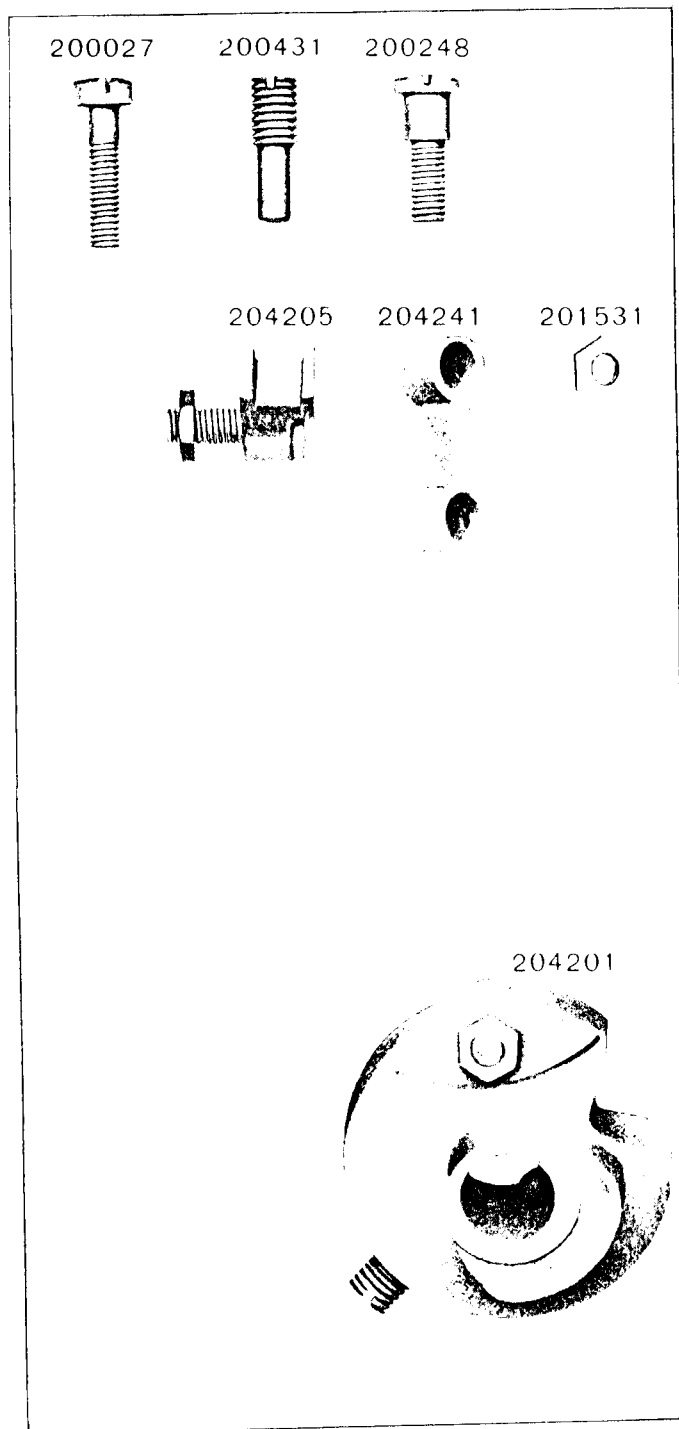


PLATE 10446-FULL SIZE

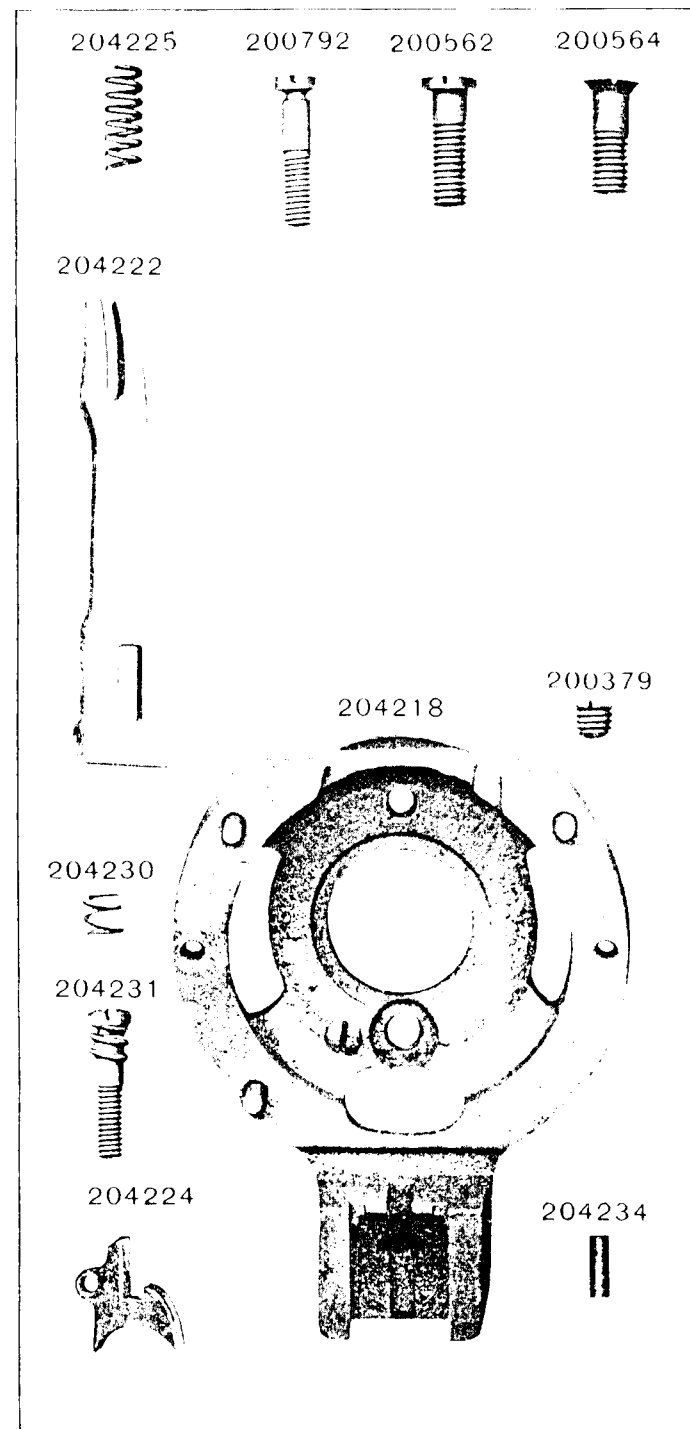


PLATE 10448—FULL SIZE

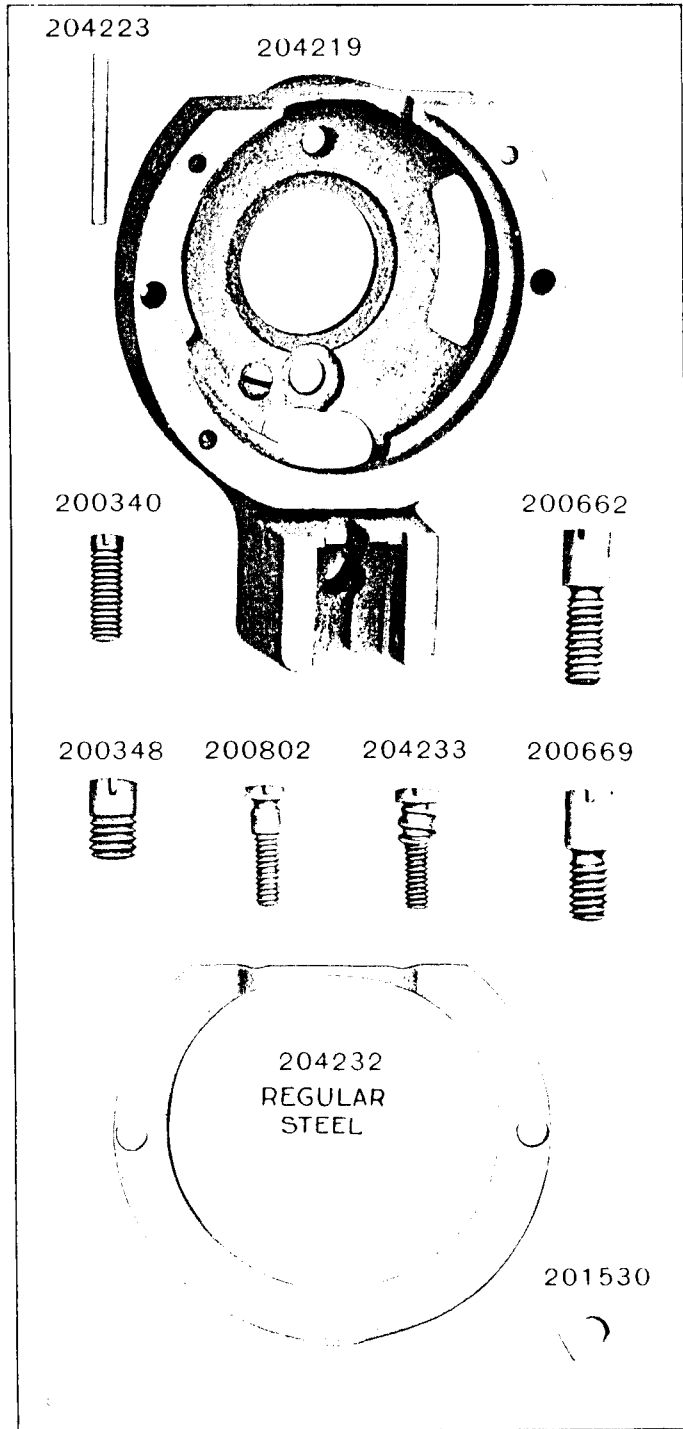


PLATE 10450—FULL SIZE

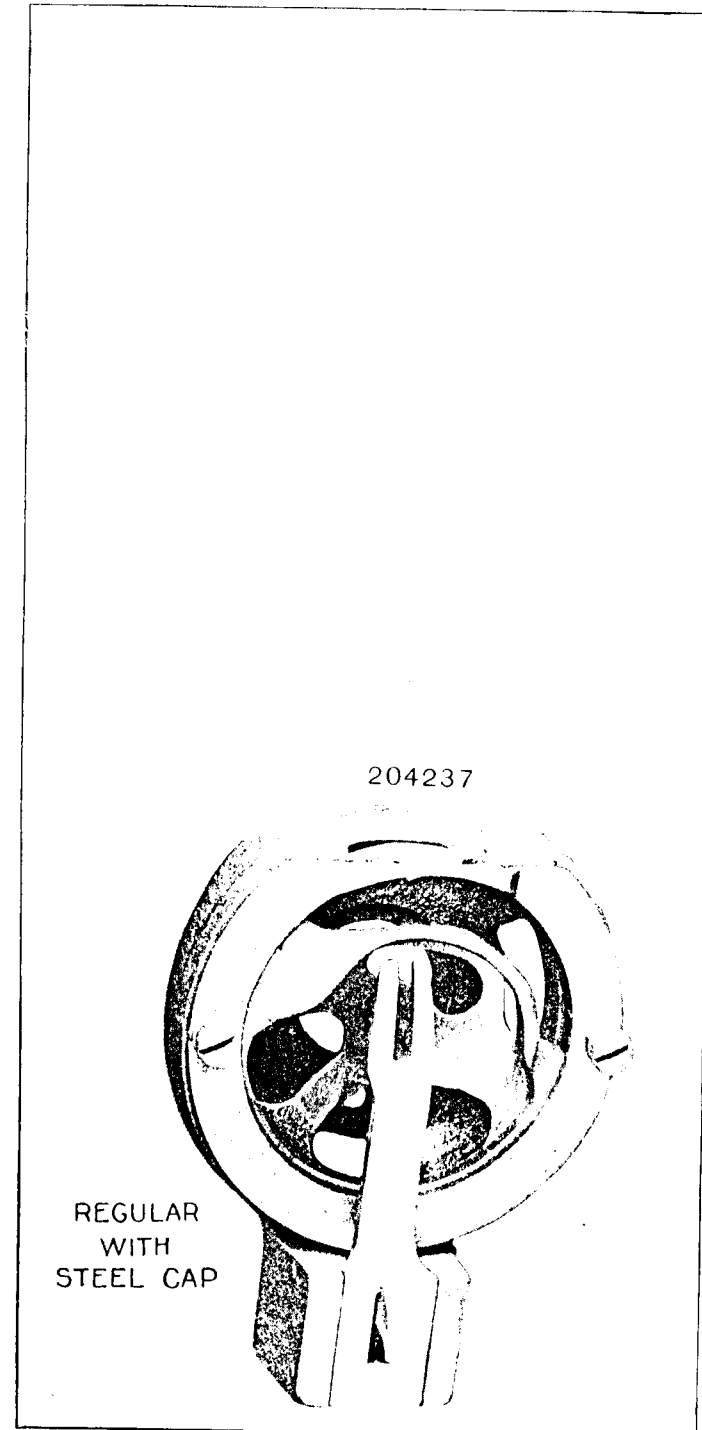


PLATE 10498—ONE-HALF SIZE

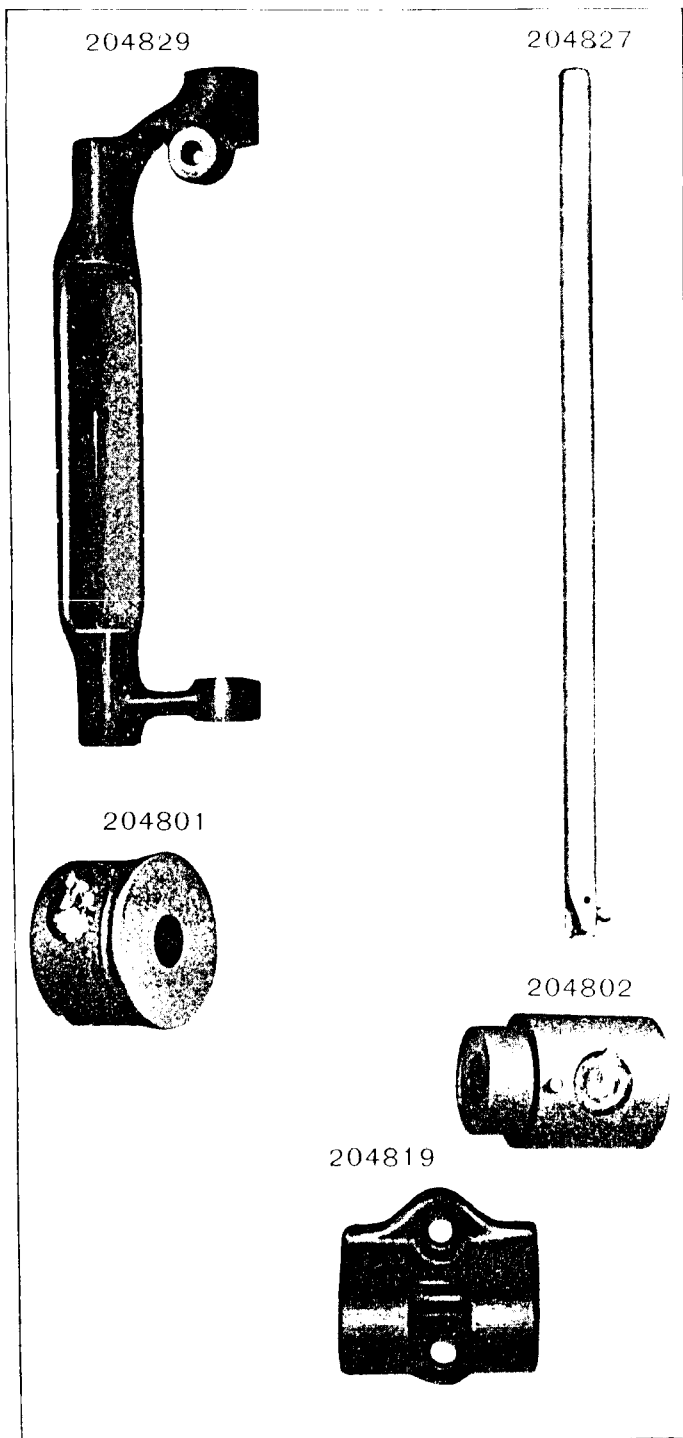


PLATE 10499—FULL SIZE

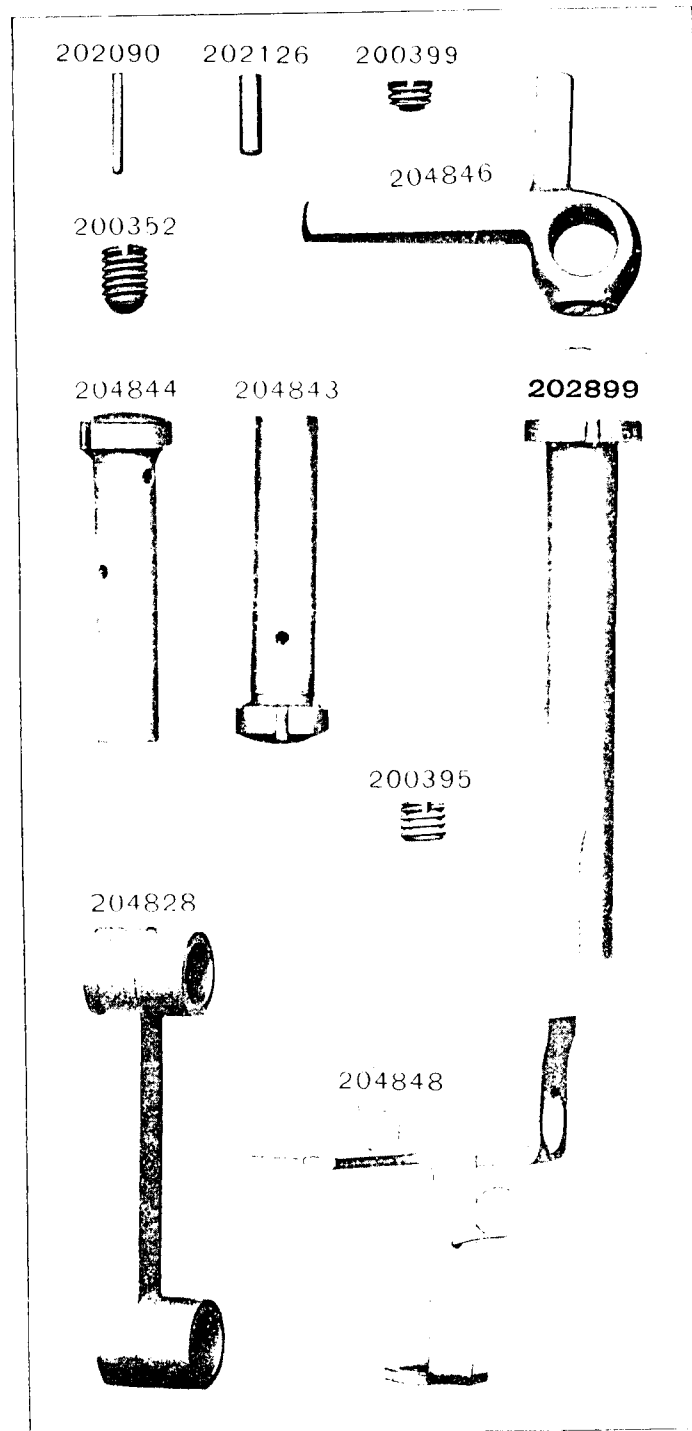


PLATE 10501-FULL SIZE

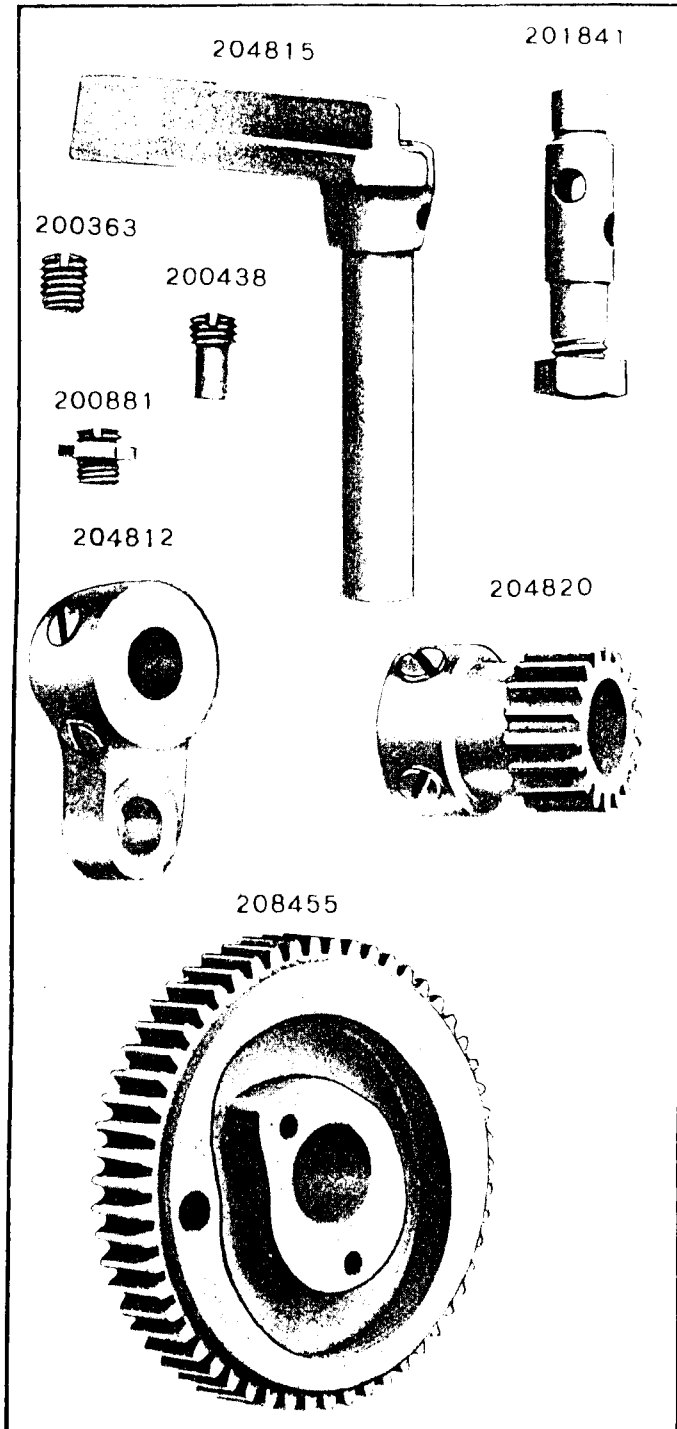


PLATE 10502-FULL SIZE

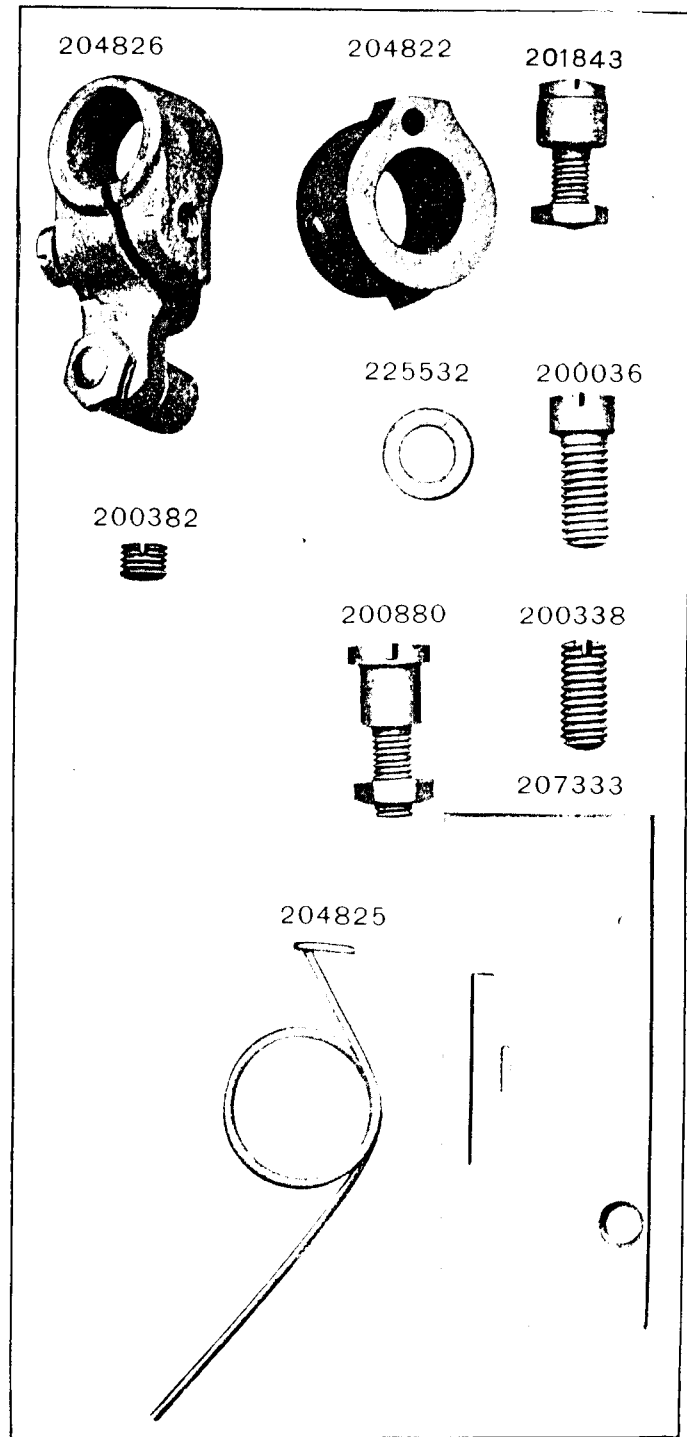


PLATE 10670--FULL SIZE

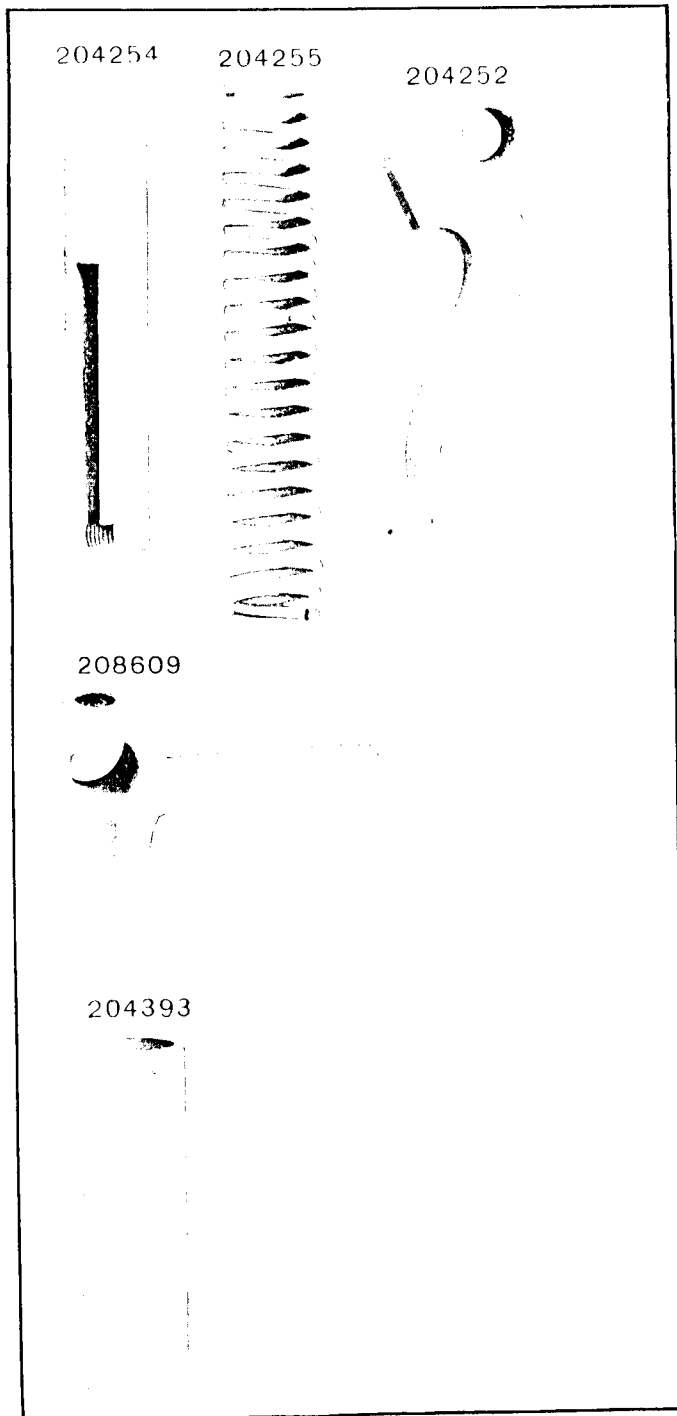


PLATE 10673--FULL SIZE

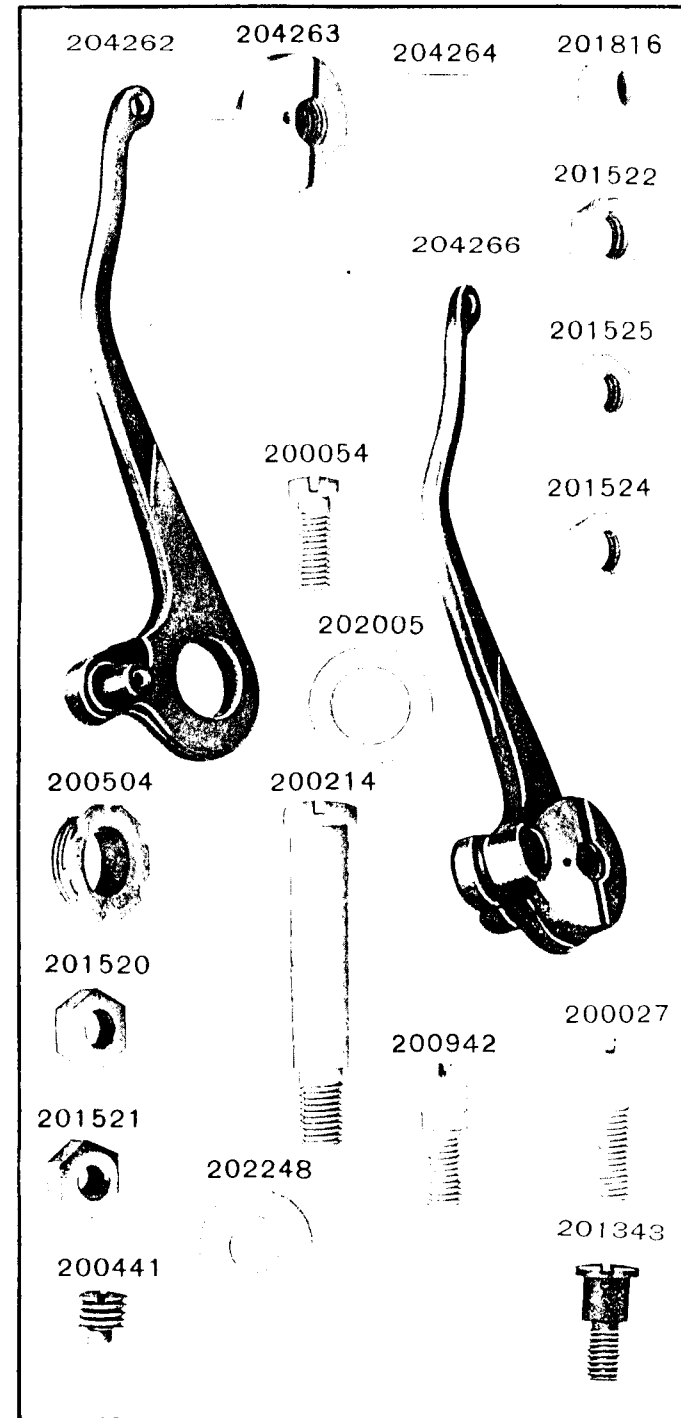
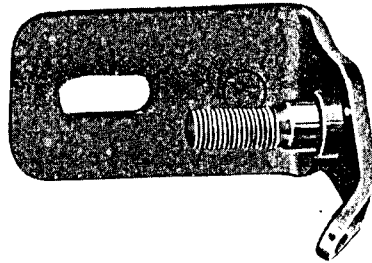
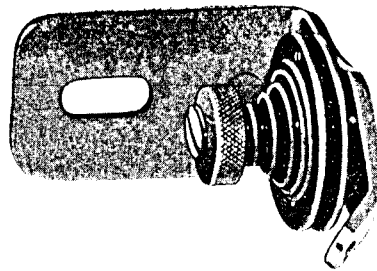


PLATE 10881—FULL SIZE

225461



225462



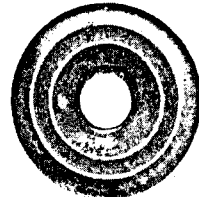
200082



202104



2102



202407



201499

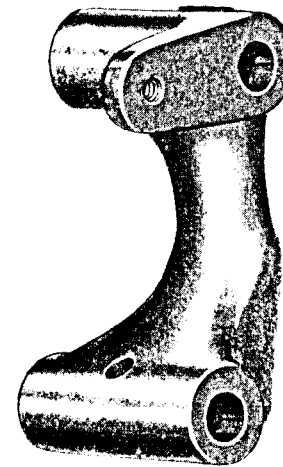


201572



PLATE 10882—FULL SIZE

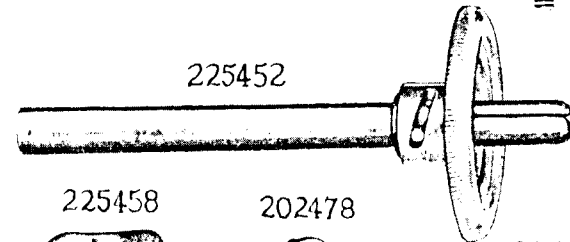
225453



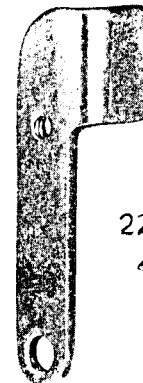
225454



225452



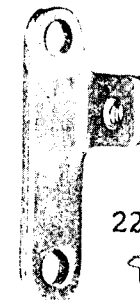
225458



225459



202478



225460



225455



225456



225438



225457



201052



200056



200299

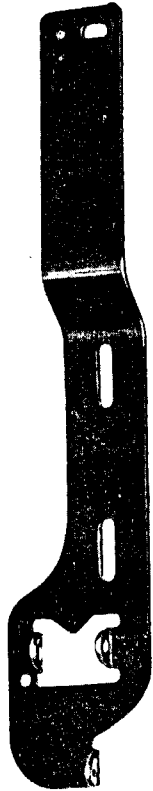


225444

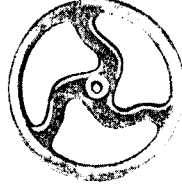


PLATE 10883—ONE-FOURTH SIZE

225463



202473



225436

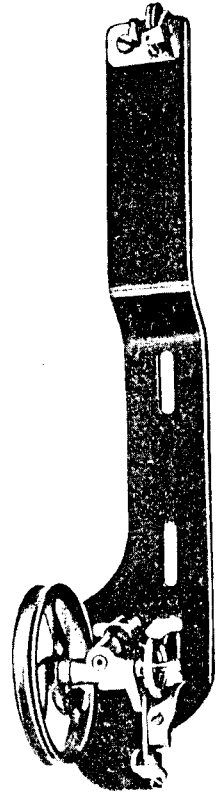
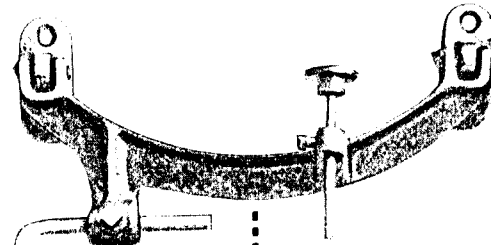


PLATE 10936 — ONE — FOURTH SIZE

202451



227781

202455

227784

202454

202453



202445



PLATE 11450 -ONE-FOURTH SIZE

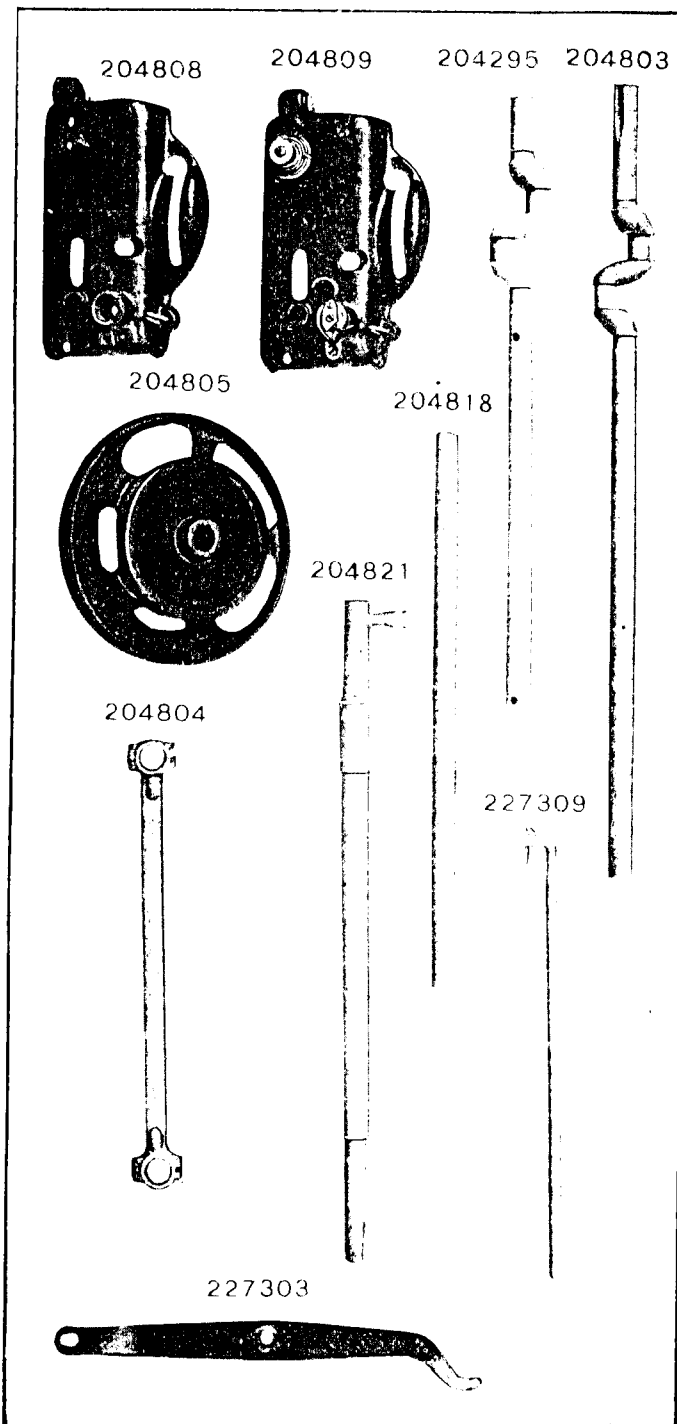


PLATE 11451 -ONE-HALF SIZE

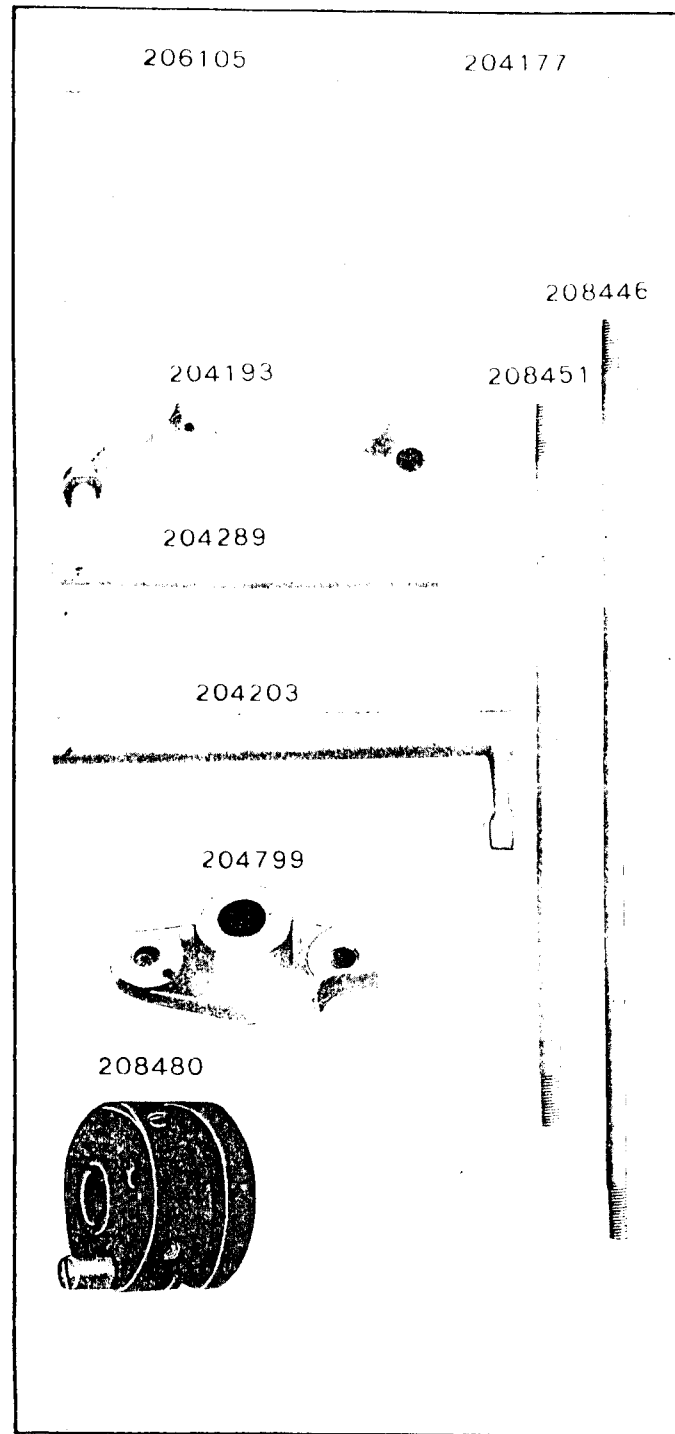


PLATE 11452 -FULL SIZE

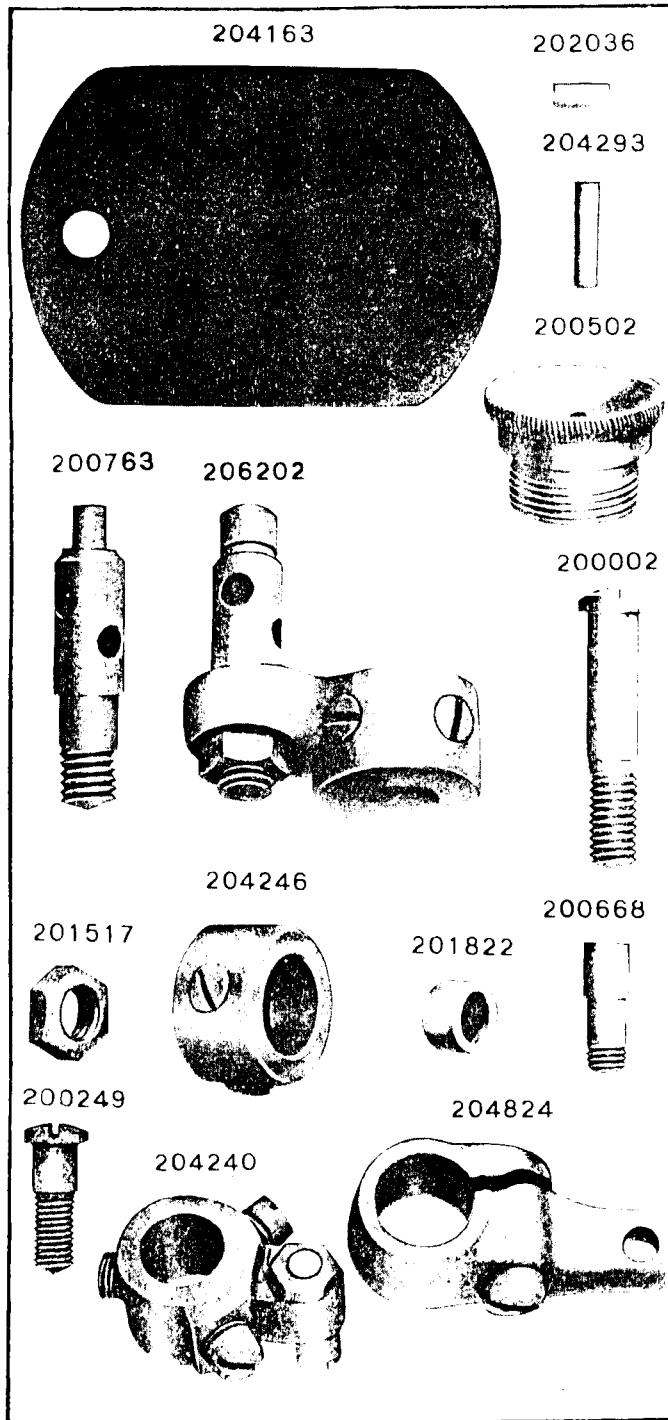


PLATE 11453 -FULL SIZE

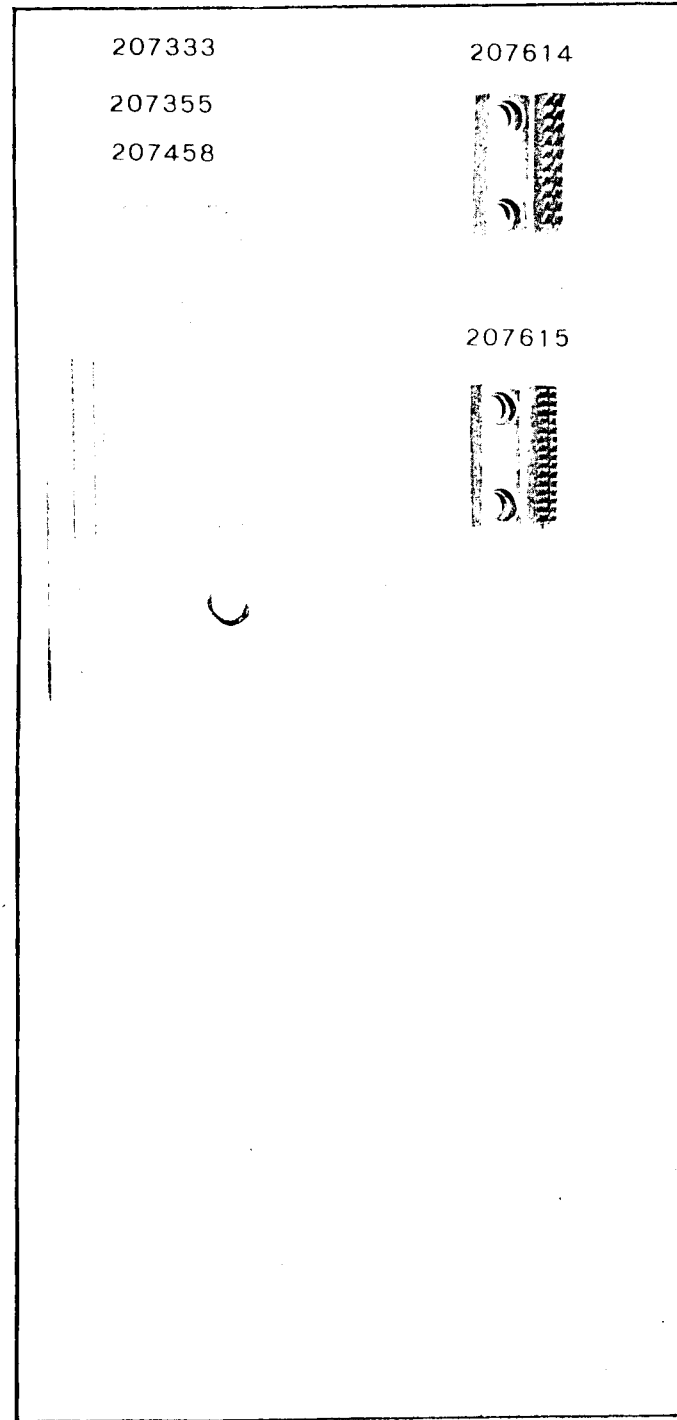


PLATE 11454 -FULL SIZE

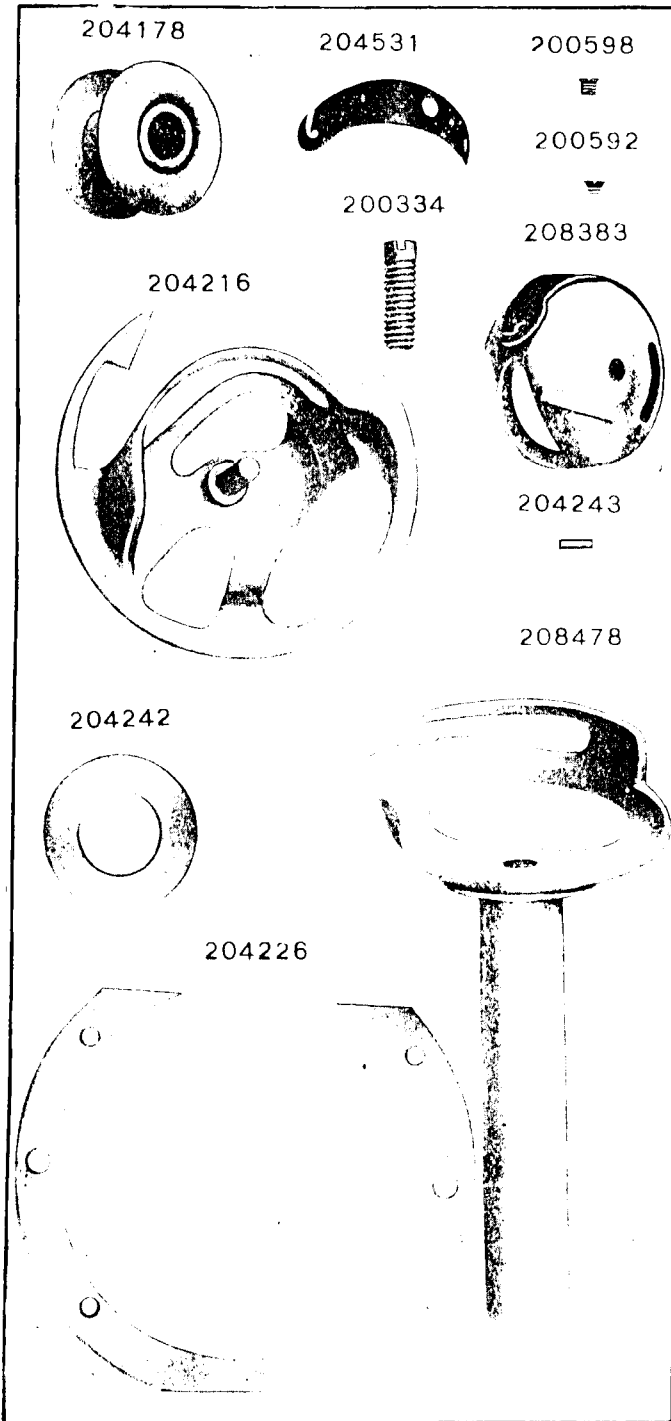


PLATE 11455 -FULL SIZE

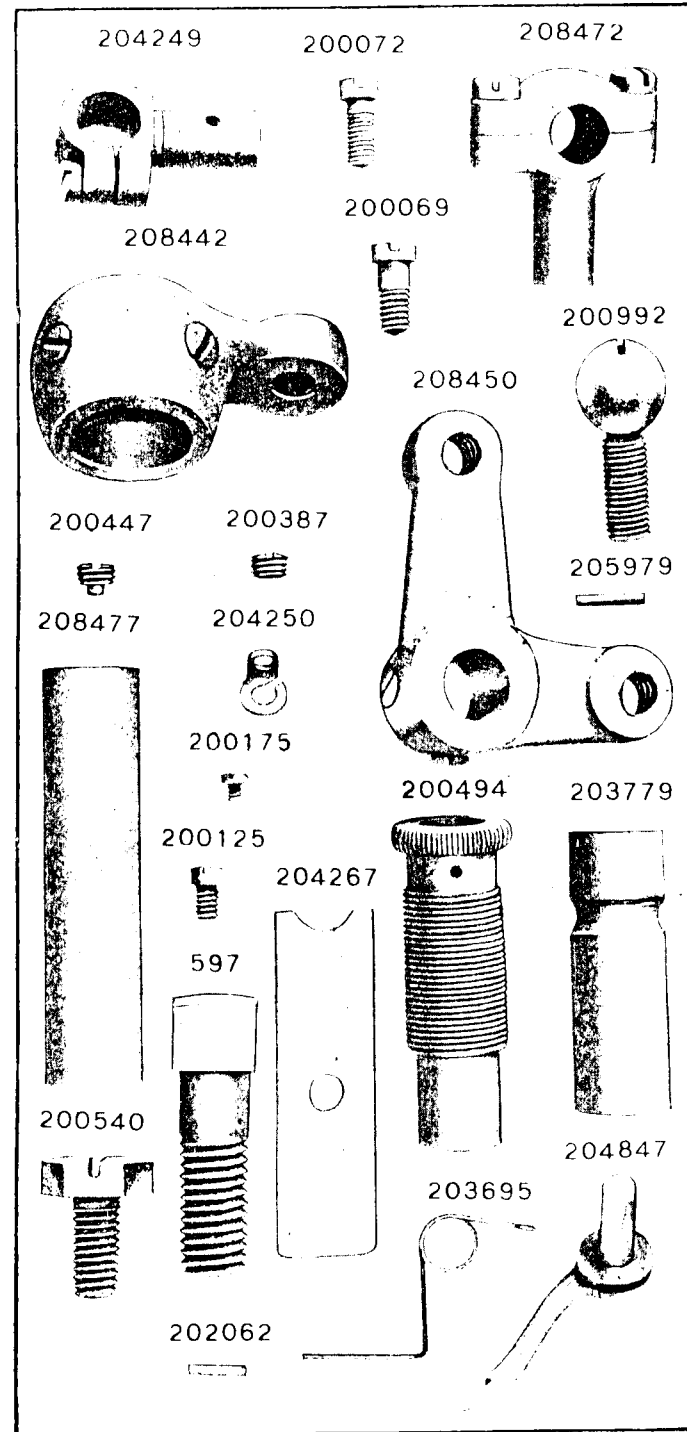


PLATE 11456-FULL SIZE

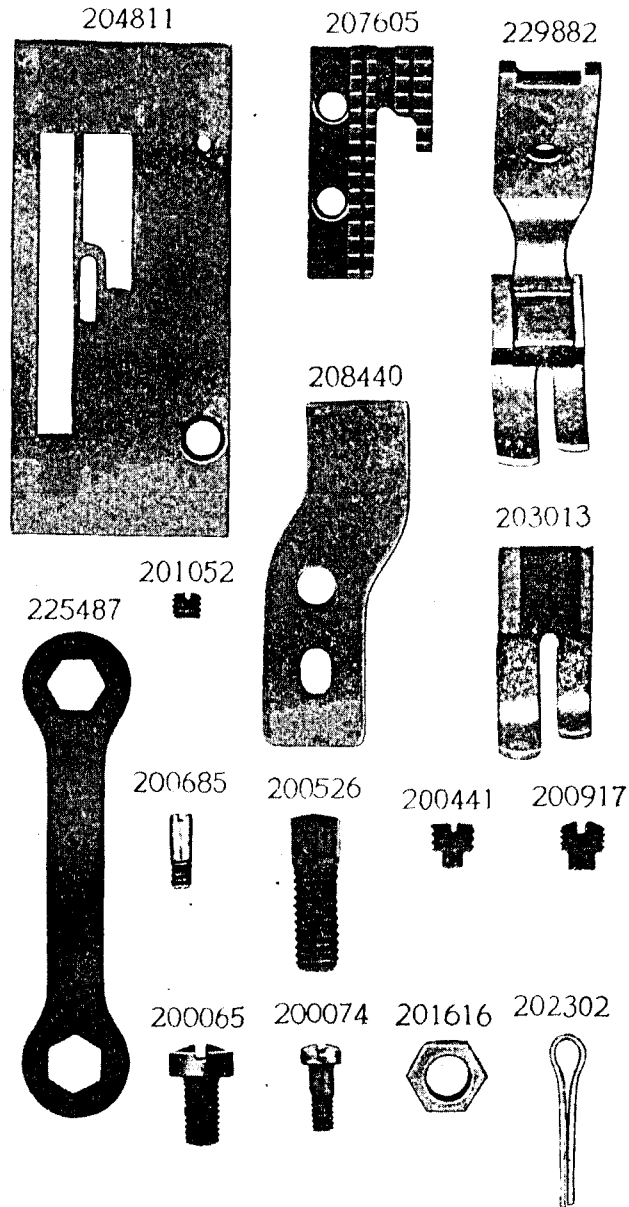


PLATE 12153-ONE-HALF SIZE

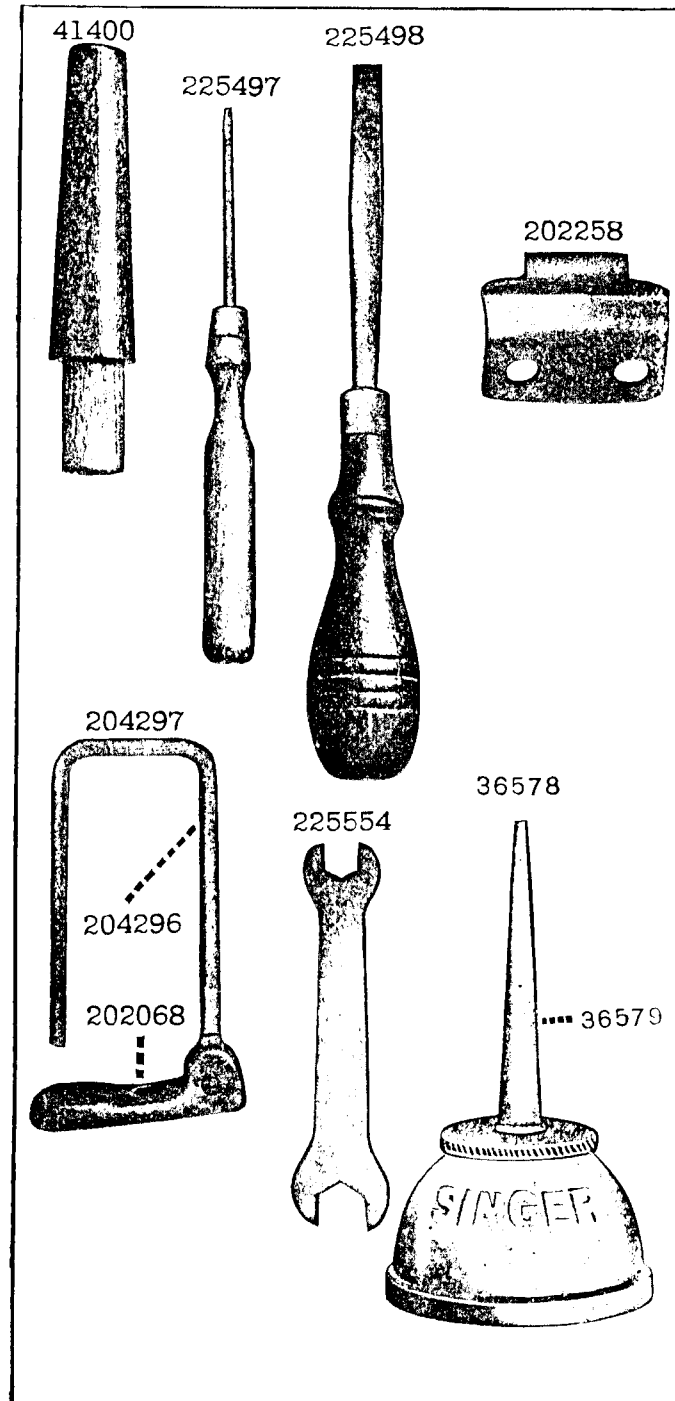


PLATE 1225—FULL SIZE

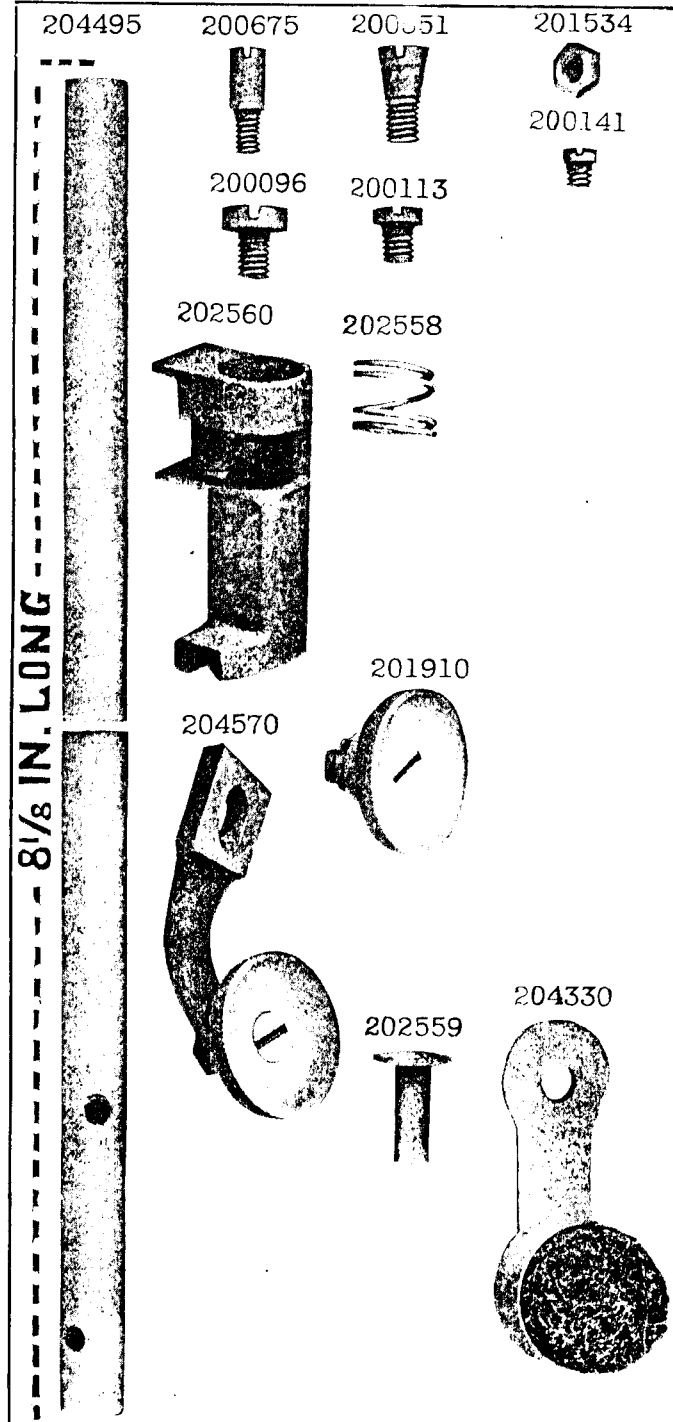


PLATE 12306—FULL SIZE

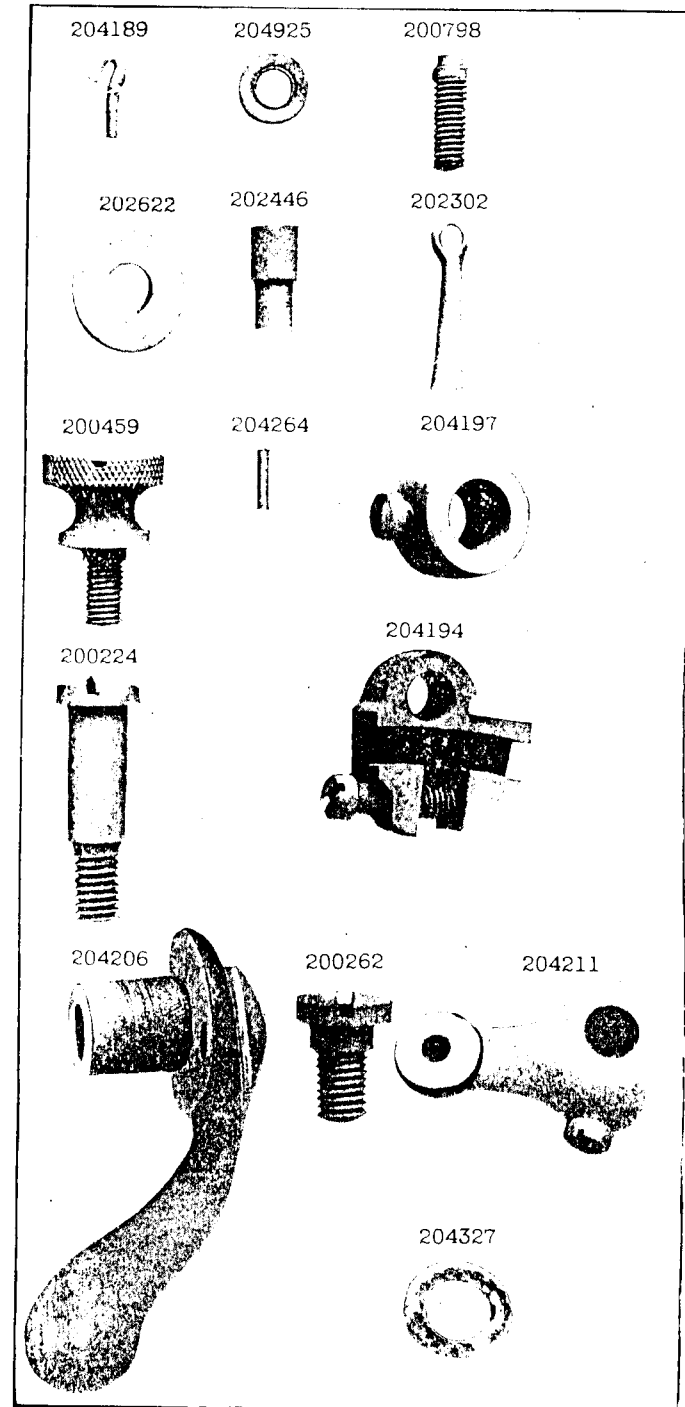


PLATE 12307--FULL SIZE

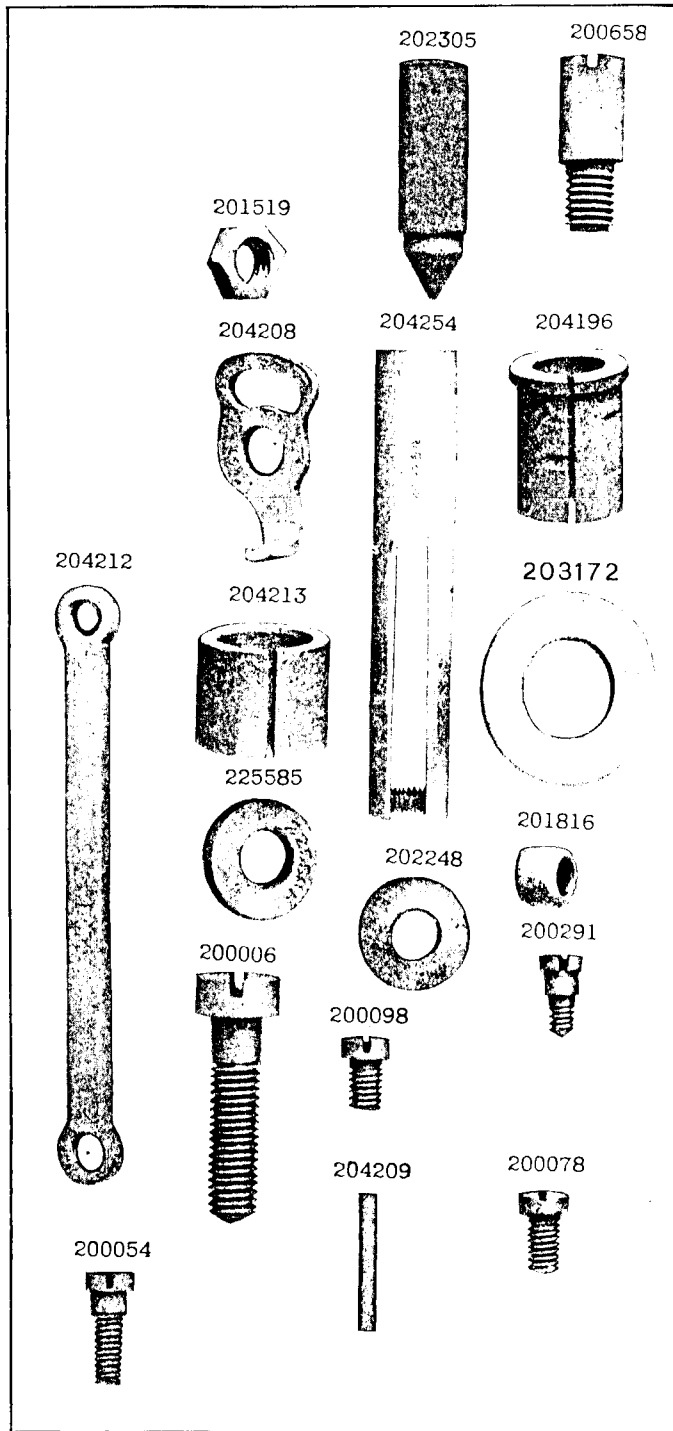


PLATE 12311--FULL SIZE

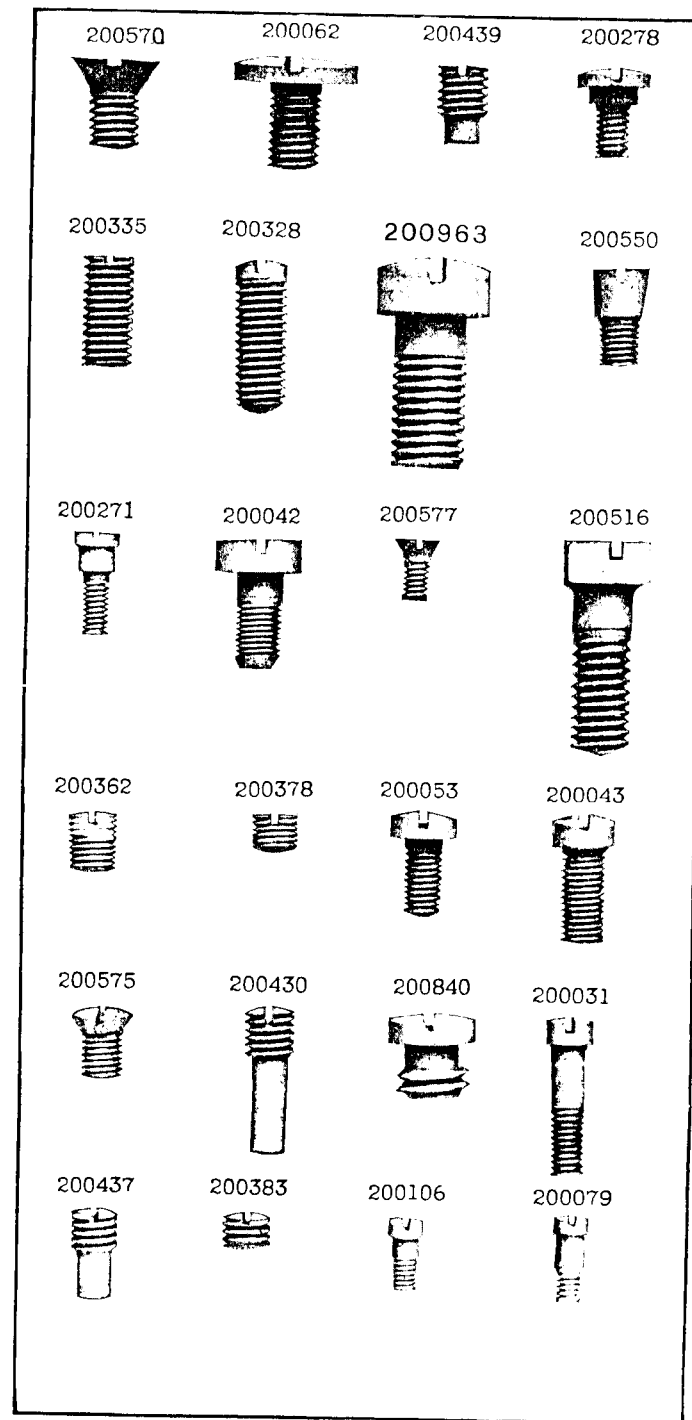


PLATE 12319 - FULL SIZE

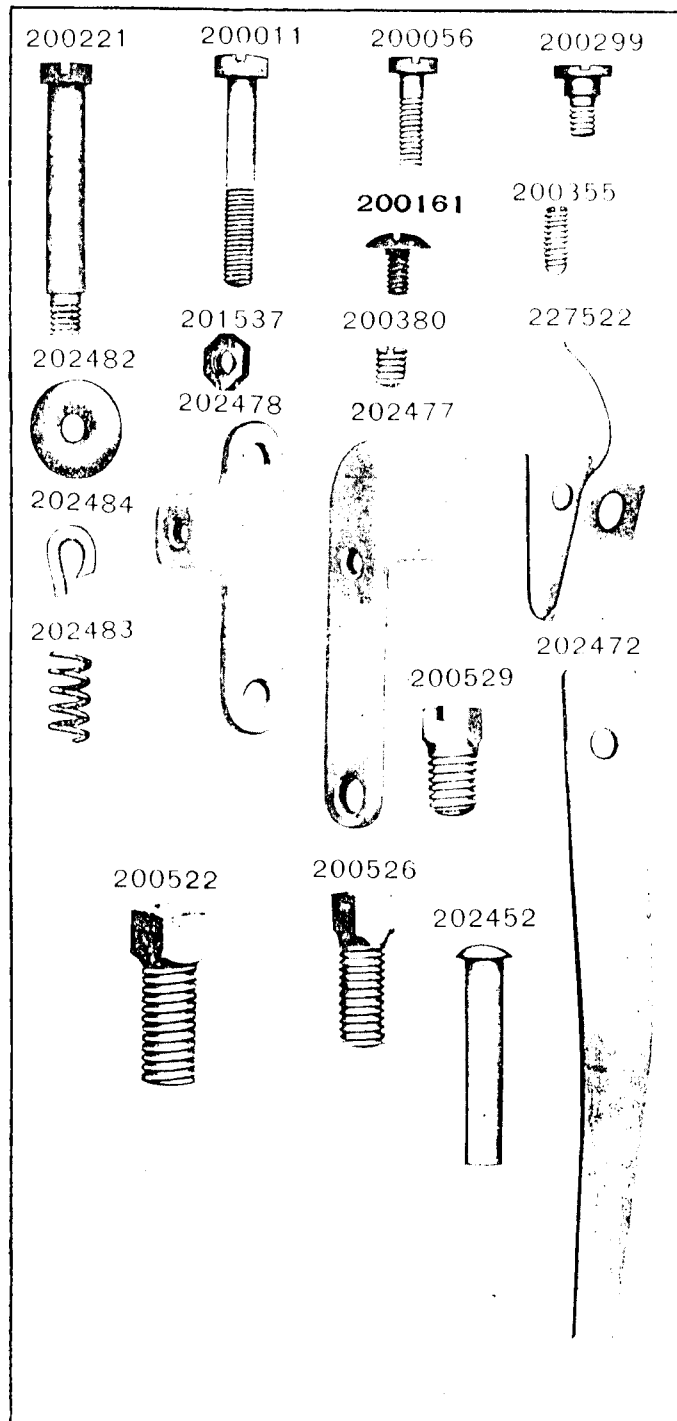


PLATE 12320 - ONE-HALF SIZE

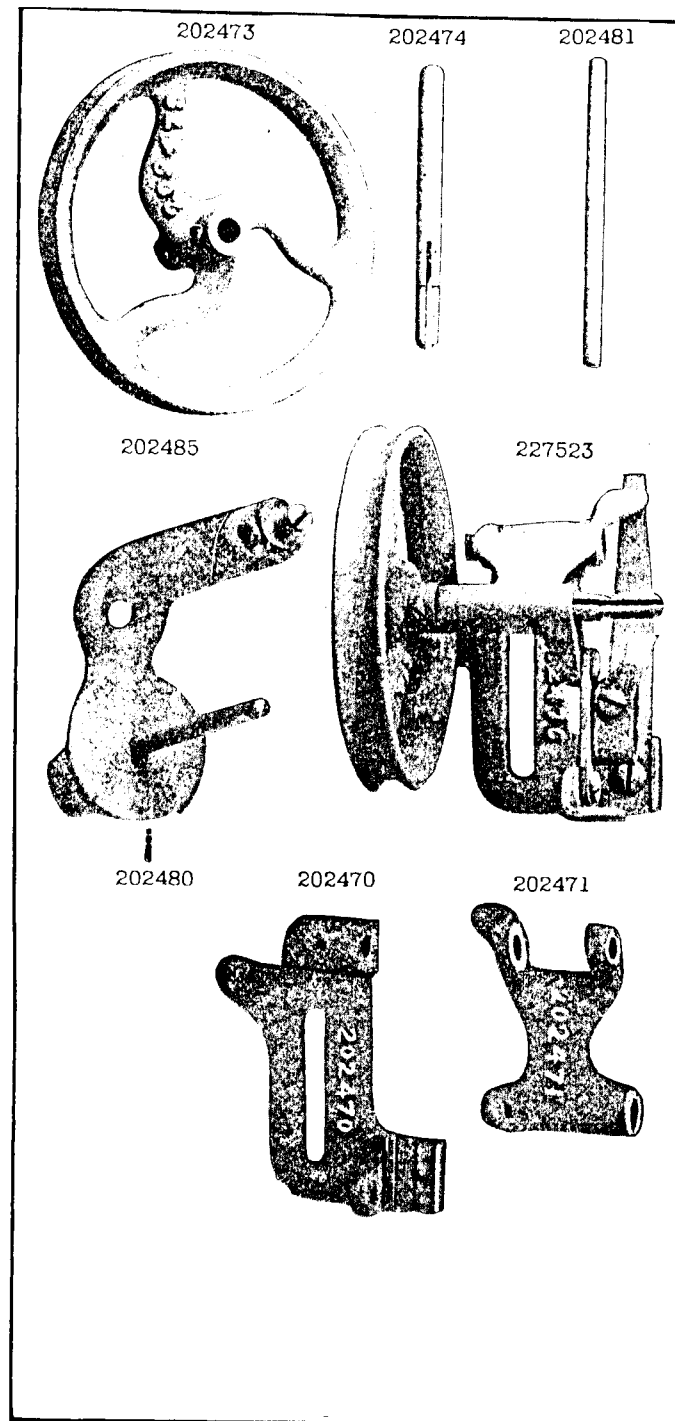


PLATE 12349—FULL SIZE

