

Singer 16-137

Singer 16-141

Form 19796
(142)
Printed in U. S. A.

LIST OF PARTS



MACHINES
Nos. 16-137 and 16-141

THE SINGER MANUFACTURING COMPANY

INSTRUCTIONS FOR OILING

When the machine is received from the factory, it should be thoroughly cleaned and oiled.

At least twice each day, when in continuous use, apply oil to all holes marked "OIL" and to the parts inside the arm and under the bed of the machine which are in movable contact. Also apply a drop of oil to the shuttle bearing in the shuttle race each time a bobbin is replaced.

Use only "Singer Oil for High Speed Sewing Machines" (Cloth and Leather) for general use, or "Singer Stainless Oil for High Speed Sewing Machines" where a stainless oil is desired.

Copyright, U. S. A., 1922, 1941 and 1942
by The Singer Manufacturing Co.
All Rights Reserved for all Countries

INDEX

| | Page |
|---|----------|
| Accessories..... | 21 |
| Bobbin Winders..... | 24 to 27 |
| Binders..... | 21 to 24 |
| Corder..... | 27 |
| Edge Guide (Roller)..... | 28 |
| Finger Guard..... | 28 |
| Foot Lifter Parts (For 16-137 Machine)..... | 28 |
| Foot Lifter Parts (For No. 16-141 Machine)..... | 29 |
| Hemmers (Foot) Plain Bottom..... | 30 |
| Knee Lifter Parts (For No. 16-137 Machine)..... | 31 |
| Knee Lifter Parts (For No. 16-141 Machine)..... | 31 |
| Machine No. 16-137..... | 7 |
| Machine No. 16-141..... | 14 |
| Numerical List of Parts..... | 35 |
| Roller Pressers (Plain) for No. 16-137 Machine..... | 33 |

INSTRUCTIONS FOR ORDERING

In ordering from this list, use ONLY the part NUMBER in the FIRST column.

The number stamped on a Sewing Machine Part is in every case the number of the single part only.

Every combination of parts sent out as such has its specific number, which, although not stamped on the parts, must be used when ordering the combination.

Each number always indicates the SAME PART in whatever list it appears, or for whatever machine.

The letters after some of the numbers indicate the style of finish only, as follows:

A-Hardened, Polished, Nickel Plated and Buffed
A.A-Buffed and Chromium Plated
A.B-Hardened, Polished, Buffed and Chromium Plated
A.C-Brown Baking Enamel Finish
A.D-Gray Baking Enamel Finish
A.E-Hardened, Bright Rumbled and Nickel Plated
A.F-Hardened, Bright Rumbled, Nickel Plated, Bright Rumbled and Chromium Plated
A.G-Alumilite, Plain
A.H-Alumilite, Dyed
A.J-Polished, Nickel Plated and Chromium Plated
A.K-Hardened, Polished, Nickel Plated and Chromium Plated
A.L-Heat Treated for Toughness
 B-Polished, Nickel Plated and Buffed
 C-Hardened Only
C.R-Hardened and Merlized
D-Polished Only
E-Soft, Not Polished
F-Hardened and Polished
F.J-Hardened, Polished and Nickel Plated
G-Bright Rumbled and Nickel Plated
H-Blued
J-Nickel Plated Only
K-Hardened and Nickel Plated
L-Brass Plated
M-Oxidized
N-Japanned, Dull
P-Japanned, Bright
P.P-Wrinkle Finish
R-Merlized
S-Cadmium Plated
T-Copper Plated
T.A-Hardened, Polished, Copper and Nickel Plated and Buffed
T.B-Copper and Nickel Plated and Polished
T.J-Copper and Nickel Plated Only
T.K-Hardened, Copper and Nickel Plated
T.L-Copper and Brass Plated
T.M-Copper Plated and Oxidized

INSTRUCTIONS FOR ORDERING - Continued

U-Zinc Plated
V-Silver Plated
W-Polished and Nickel Plated
X-Black Oxide, for Iron and Steel
X.C-Hardened and Black Oxide, for Iron or Steel
Y-Black Nickel Plated Only
Z-Chromium Plated
Z.A-Hardened, Polished, Nickel Plated, Buffed and Chromium Plated
Z.B-Polished, Nickel Plated, Buffed and Chromium Plated
Z.C-Hardened and Chromium Plated
Z.D-Polished and Chromium Plated
Z.G-Bright Rumbled, Nickel Plated, Bright Rumbled and Chromium Plated
Z.J-Nickel and Chromium Plated
Z.T-Copper and Chromium Plated

These letters MUST BE USED when they appear in the list; and AFTER the number as in the list.

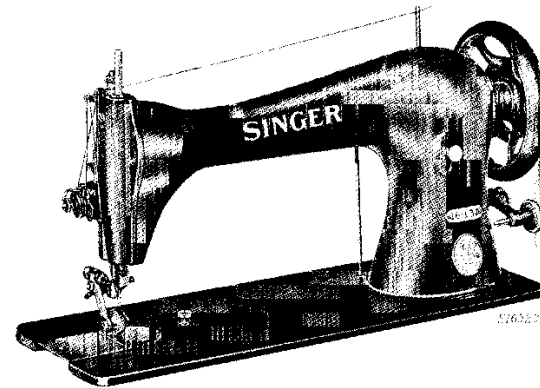
In this series:

1 to 1500, 50001 to 51500 and 140001 to 142000 are Screw Numbers
1501 to 1800 and 51501 to 51800 are Nut Numbers
1801 to 2000 and 51801 to 52000 are Roller Numbers
2001 to 50000 and 52001 to 140000 and 142001 to 190000 are Sewing Machine Parts, 190001 and upward are numbers of Electrical Parts.

The figures in the second column refer only to the plates, illustrating the parts, and are NOT TO BE USED in ordering.

Parts marked with an asterisk (*) are furnished only when repairs are made at factory.

LIST OF PARTS COMPLETE
FOR



MACHINE No. 16-137

FOR LEATHER. WHEEL FEED. MAXIMUM STITCH
3 1/2 TO THE INCH. SPEED 1600 R. P. M.

Genuine Singer Needles should be used
in Singer Machines.
These Needles and their Containers
are marked with the
Company's Trade Mark "SIMANCO." 1

Needles in Containers marked
"For Singer Machines"
are not Singer made needles. 2

| No. | Plate | Name |
|--------|-------|--|
| *4287 | ----- | Arm with 4448, 4449, 15404 and two 15405 |
| 2002 | 6299 | " Dowel Pin (2)..... |
| 4448 | 6299 | " Oil Tube, for intermediate bearing.. |
| 123E | 6299 | " Screw (3)..... |
| 4368 | 6290 | " Shaft..... |
| 56837 | ----- | " " 4368 with 3074 and 56828..... |
| 3005 | 6290 | " " Bushing (back)..... |
| 448AL | 6290 | " " " " Set Screw..... |
| *4449 | ----- | " " " (front)..... |
| 144D | 6290 | " " Screw..... |
| 4288 | 6299 | " Side Cover..... |
| 51224W | 6299 | " " " Thumb Screw..... |
| 52239 | 6299 | " Spool Pin and Thread Eyelet..... |
| 11241 | 6299 | " " " Washer (cloth)..... |
| 3008 | ----- | Balance Wheel (power) light rim, 1 3/4 in. pulley, with two 448AL..... |
| 3009 | ----- | Balance Wheel (power) light rim, 2 5/16 in. pulley, with two 448AL..... |
| 4368 | ----- | Balance Wheel (power) light rim, 2 3/4 in. pulley, with two 448AL..... |

| No. | Plate | Name |
|---|-------|--|
| 4370 | 6290 | Balance Wheel (stand) heavy rim, 2 3/4 in. pulley, with two 448AL..... |
| Note: No. 4370 is regularly furnished with this Machine unless another Balance Wheel is specified on order. | | |
| 2862 | 6290 | Balance Wheel (stand) heavy rim, 3 in. pulley, for 3022..... |
| 56899 | 6299 | Balance Wheel (light rim) "v" belt groove (outside diam. of belt groove 2.9 in.) with two 435AL..... |
| 448AL | 6290 | Balance Wheel Set Screw for 3008, 3009, 4370 and 4388 (2)..... |
| 435AL | 6299 | Balance Wheel Set Screw for 56899 (2)..... |
| 2139 | 6299 | " " Speed Pulley, 1 11/16 in. diam., with 451C..... |
| 2140 | 6299 | Balance Wheel Speed Pulley, 2 3/16 in. diam., with 437C..... |
| 451C | 6299 | Balance Wheel Speed Pulley Set Screw for 2139..... |
| 437C | 6299 | Balance Wheel Speed Pulley Set Screw for 2140..... |
| *80982 | ----- | Bed..... |
| 256J | 6290 | Clamp Stop Motion Clamp Screw..... |
| 248A | 6290 | " " " " Stop Screw..... |
| 2020 | 6290 | " " " " Washer..... |
| *3023 | ----- | " " " " Flanged Bushing..... |
| 4933 | 6290 | " " " " " 3023 with two 462AL..... |
| 2022 | ----- | Clamp Stop Motion Flanged Bushing Pin... " " " " " Set |
| 462AL | 6290 | Screw (2)..... |
| 3022 | 6290 | Clamp Stop Motion complete, Nos. 248A, 256J, 2020 and 4933..... |
| 4292 | 6290 | Crank Connecting Rod with two 145E..... |
| 145E | 6290 | " " " " Cap Screw (2)..... |
| 375C | 6290 | " " " " Hinge Screw..... |
| 1518E | 6290 | " " " " " Nut.... |
| 56796 | 6291 | Face Plate with 2105..... |
| 56775 | 6291 | Face Plate complete, Nos. 448AL, 460AL, 2107, 2111, 2127, 2269, 4369, 56791, 56796 and two 233J..... |
| 164J | 6291 | Face Plate Screw..... |
| 2107 | 6291 | " " Thread Guard..... |
| 233J | 6291 | " " " " Screw..... |
| 52165 | 6290 | Feed Connecting Link..... |
| 375C | 6290 | " " " " Hinge Screw (2)... |
| 1518J | 6290 | " " " " " Nut (2) |
| 3074 | 6290 | " Eccentric with 446AL..... |
| 446AL | 6290 | " " Set Screw..... |
| 3037 | 6290 | " Forked Connection..... |

| No. | Plate | Name |
|--|-------|---|
| 5749 | 6290 | Feed Forked Connection complete, Nos. 3037, 52165, 56886 and two each 375C and 1518J..... |
| 375C | 6290 | Feed Forked Connection Hinge Screw..... |
| 1518J | 6290 | " " " " " Nut.. |
| 3039 | 6290 | " Regulator..... |
| 56886 | ----- | " " 3039 with 818D..... |
| 58E | 6290 | " " Hinge Screw..... |
| 818D | 6290 | " " Thumb Screw..... |
| 3042 | 6292 | " Rock Shaft..... |
| 56880 | ----- | Feed Rock Shaft complete, Nos. 3042 and 29633..... |
| 29633 | 6292 | Feed Rock Shaft Crank with 157J..... |
| 2049 | ----- | " " " " Pin..... |
| 157J | 6292 | " " " " Clamping Screw.... |
| 307C | 6292 | " " " " Screw Center (2)..... |
| 56814 | 6292 | " " " " " 307C with 1513J (2)..... |
| 1513J | 6292 | Feed Rock Shaft Screw Center Nut (2)... |
| 2258 | 6293 | " Wheel, fine teeth, for 4827 to 4829 |
| Note: No. 2258 is sent with this machine, unless another Feed Wheel is specified on order. | | |
| 15022 | ----- | Feed Wheel, coarse teeth, for 4827 to 4829..... |
| 2263 | 6293 | Feed Wheel Driver with 2266..... |
| 4993 | 6292 | " " " " Link..... |
| 324D | 6292 | " " " " " Screw..... |
| 313C | 6292 | " " " " " " Center (2) |
| 56813 | 6292 | " " " " " " " 313C with 1519J (2)..... |
| 1519J | 6292 | Feed Wheel Driver Link Screw Center Nut (2)..... |
| 2265 | 6293 | Feed Wheel Driver Spring..... |
| 2266 | 6293 | " " " " " Hook..... |
| 3113 | 6293 | " " " " Frame with 454C..... |
| 56834 | 6293 | Feed Wheel Frame complete, Nos. 151C, 163C, 183F, 240D, 2252, 2254 to 2256, 2258, 3113, 3114 and two each 141C and 1528J..... |
| 141C | 6293 | Feed Wheel Frame Adjusting Screw (2)... |
| 1528J | 6293 | " " " " " Nut (2) |
| 454C | 6293 | " " " " Set Screw..... |
| 3077 | 6292 | " " " " Shaft..... |
| 307C | 6292 | " " " " " Screw Center (2) |
| 56814 | 6292 | " " " " " " " 307C with 1513J (2)..... |
| 1513J | 6292 | Feed Wheel Frame Shaft Screw Center Nut (2)..... |
| 4680 | ----- | Feed Wheel Frame complete, Nos. 3077 and 56834..... |

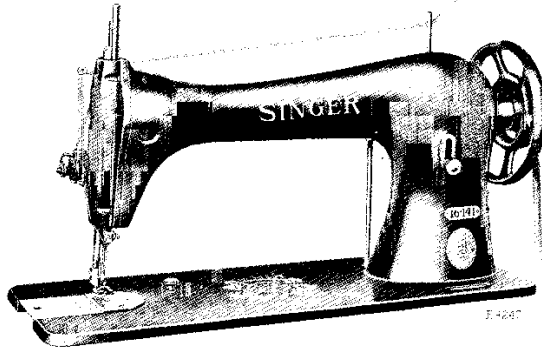
| No. | Plate | Name |
|--------|-------|--|
| 3114 | 6293 | Feed Wheel Friction Plate (back)..... |
| 151C | 6293 | " " " " " Screw.. |
| 2252 | 6293 | " " " " (front)..... |
| 183C | 6293 | " " " " " Screw. |
| 2254 | 6293 | " " Retaining Clutch..... |
| 2255 | 6293 | " " " " " Cap..... |
| 183F | 6293 | " " " " " Screw... |
| 2256 | 6293 | " " " " " Spring..... |
| 240D | 6293 | " " " " " Screw |
| 25875 | 6299 | Guide..... |
| 284D | 6299 | " Thumb Screw..... |
| 3044 | 6294 | Needle Bar..... |
| *3045 | ----- | " " Connecting Link..... |
| 56773 | 6294 | " " " " " 3045 with 2052 |
| 377C | 6294 | " " " " " Hinge Screw... |
| 1519E | 6294 | " " " " " " Nut |
| 2052 | 6294 | " " " " " Stud with 155C.... |
| 155C | 6294 | " " " " " Set Screw.... |
| 290E | 6294 | " " " " " Screw Bushing (2)..... |
| 2166 | 6294 | " " " " " Thread Guard..... |
| 233J | 6294 | " " " " " Screw..... |
| 2167 | 6294 | " " Clamp with 196F..... |
| 196F | 6294 | " " " " " Screw..... |
| 4304 | 6290 | Oscillating Rock Shaft with 4784..... |
| 5747 | 6290 | " " " " " 4304 with 15489 and 56812..... |
| 3052 | 6290 | Oscillating Rock Shaft Hinge Pin..... |
| 56812 | 6290 | " " " " " 3052 with 1513J..... |
| 1513J | 6290 | Oscillating Rock Shaft Hinge Pin Nut.... |
| 635C | 6290 | " " " " " " Screw |
| 15489 | 6290 | Oscillating Rock Shaft Hinge Pin Screw Bearing..... |
| 1513J | 6290 | Oscillating Rock Shaft Hinge Pin Screw Bearing 635C with 1513J..... |
| 4784 | 6290 | Oscillating Rock Shaft Oil Pad..... |
| 3168 | 6292 | " " Shaft..... |
| *56767 | ----- | " " " " " 3168 with 2049, 15164 and 68751..... |
| 15163 | ----- | Oscillating Shaft Crank for 15164..... |
| 15426 | 6292 | " " " " " 15165..... |
| *15164 | ----- | Oscillating Shaft Crank complete, Nos. 462AL, 1519E, 15163 and 15171..... |
| 15165 | 6292 | Oscillating Shaft Crank complete, Nos. 1519E, 15171, 15426 and two 462AL... |
| 2049 | ----- | Oscillating Shaft Crank Pin..... |
| 462AL | 6292 | " " " " " Set Screw..... |
| 15170 | 6292 | " " " " " Slide Block..... |
| 226J | 6292 | " " " " " " Cap Screw..... |

| No. | Plate | Name |
|--|-------|---|
| 12424 | 6292 | Oscillating Shaft Crank Slide Block Cap Screw Washer..... |
| 1035C | 6292 | Oscillating Shaft Crank Slide Block Screw Stud..... |
| 1519E | 6292 | Oscillating Shaft Crank Slide Block Screw Stud Nut..... |
| 15171 | ----- | Oscillating Shaft Crank Slide Block com- plete, Nos. 226J, 1035C, 12424 and 15170..... |
| 2058 | 6294 | Presser Bar..... |
| 52016 | 6294 | " " " " Lifter..... |
| 689C | 6294 | " " " " " Screw..... |
| 1520J | 6294 | " " " " " Nut..... |
| 5608 | 6294 | " " " " " Lifting Bracket with 453AL.. |
| 453AL | 6294 | " " " " " " Set Screw... |
| 290E | 6294 | " " " " " Screw Bushing..... |
| 3056 | 6294 | " " " " " Spring (heavy)..... |
| Note: No. 3056 is regularly furnished with this machine unless otherwise specified on order. | | |
| 2308 | ----- | Presser Bar Spring (light)..... |
| 2070 | 6294 | " " " " " Washer..... |
| 2180 | 6294 | " " " " " Foot..... |
| 190J | 6294 | " " " " " Screw..... |
| 262J | 6294 | Pressure Regulating Thumb Screw..... |
| 1841 | 6294 | Roller, 7/8 in. diam., 9/64 in. face, fine, with 652D and 1528J..... |
| 2203 | 6294 | Roller Arm..... |
| 440F | 6294 | " " " " " Adjusting Screw..... |
| 15446 | ----- | " " " " " " 440F with 1547J |
| 1547J | 6294 | " " " " " " Nut..... |
| 2206 | 6294 | " " " " " Bracket..... |
| 316F | 6294 | " " " " " Screw Center (2).... |
| 15444 | ----- | " " " " " " " 316F with 1547J (2)..... |
| 1547J | 6294 | Roller Arm Bracket Screw Center Nut (2) |
| 2205 | 6294 | " " " " " Lock Spring..... |
| 176J | 6294 | " " " " " " Screw..... |
| 1549J | 6294 | " " " " " " Nut..... |
| 2197 | 6294 | Roller Presser complete, 7/8 in. diam., 9/64 in. face, fine roller, Nos. 176J, 1549J, 1841, 2203, 2205, 2206, 15446 and two 15444..... |
| Note: No. 2197 is sent with this machine unless another Roller Presser is specified on order. | | |
| 190J | 6294 | Roller Presser Screw..... |
| 652D | 6294 | " " " " " Screw..... |
| 1528J | 6294 | " " " " " Nut..... |
| 2996 | 6294 | Shuttle Bobbin..... |
| 15140 | 6294 | " " " " " Case Latch..... |
| 2973 | 6294 | " " " " " " Lever..... |

| No. | Plate | Name |
|--------|-------|--|
| 2974 | 6294 | Shuttle Bobbin Case Latch Lever Fulcrum Pin..... |
| 2975 | 6294 | Shuttle Bobbin Case Latch Spring..... |
| 592E | 6294 | " " " " Stop Screw.... |
| 15141 | 6294 | " " " " Hinge, Nos. 2973,2974 and 15140..... |
| 15277 | 6294 | Shuttle Bobbin Case complete, Nos. 591F, 592E, 2975, 15141 and 15278..... |
| 2515 | 6294 | Shuttle Body..... |
| 591F | 6294 | " Tension Regulating Screw..... |
| 15278 | 6294 | " " Spring..... |
| 15100 | 6294 | Shuttle, 1 11/16 in. diam., Nos. 2515, 2996 and 15277..... |
| *68751 | ----- | Shuttle Driver..... |
| 68752 | 6292 | " " 68751 with two 462AL.... |
| 2049 | ----- | " " Pin..... |
| 462AL | 6292 | " " Set Screw (2)..... |
| 2980 | 6291 | " Race Back..... |
| 2532 | 6291 | " " " Position Pin (2).... |
| 2533 | 6291 | " " " Spring..... |
| 907D | 6291 | " " " Screw..... |
| 2981 | 6291 | " " Body..... |
| 2982 | 6291 | " " Cap..... |
| 662R | 6291 | " " " Screw (2)..... |
| 2983 | 6291 | Shuttle Race complete, Nos. 907D, 2533, 2980 to 2982 and two each 662R and 2532..... |
| 145F | 6291 | Shuttle Race Screw (2)..... |
| 4350 | 6291 | " " Slide..... |
| 4307 | 6291 | " " " Spring..... |
| 4352 | 6291 | " " " Rivet (2).... |
| 4351 | 6291 | Shuttle Race Slide complete, Nos. 4307, 4350 and two 4352..... |
| 2102 | 6291 | Tension Disc (2)..... |
| 56791 | 6291 | Tension complete, Nos. 2103, 2124, 16202 and two 2102..... |
| 4369 | 6291 | Tension Releaser..... |
| 2269 | 6291 | " " Hinge Pin..... |
| 1560C | 6291 | " Regulating Thumb Nut..... |
| 600C | 6291 | " Screw Stud..... |
| 16202 | 6291 | " " " 600C with 1560C..... |
| 446AL | 6291 | " " " Set Screw..... |
| 2103 | 6291 | " Spring..... |
| 2105 | 6291 | " Thread Guard..... |
| 2112 | 6291 | Thread Retaining Disc with 2113..... |
| 2113 | 6291 | " " " Steady Pin..... |
| 2114 | 6291 | " " Spring..... |
| 2115 | 6291 | " " Stud..... |
| 460AL | 6291 | " " " Set Screw..... |
| 2111 | 6291 | Thread Retainer Guide complete, Nos. 2112, 2114 and 2115..... |

| No. | Plate | Name |
|--|-------|---|
| *56828 | ----- | Thread Take-up Cam..... |
| 3182 | 6290 | " " " 56828 with 446AL.... |
| 3012 | ----- | " " " Pin..... |
| 446AL | 6290 | " " " Set Screw..... |
| *3072 | ----- | " " Lever with 1819..... |
| 56855 | 6291 | " " " 3072 with 1088C.... |
| 1088C | 6291 | " " " Hinge Screw..... |
| 1819 | 6291 | " " " Roller and Stud.... |
| 2124 | 6291 | " " Spring..... |
| 2127 | 6291 | " " " Regulator Plate... |
| 233J | 6291 | " " " " " Ad-justing Screw..... |
| 4827 | 6293 | Throat Plate, large oblong needle hole, for 2258 and 15022..... |
| 4828 | 6293 | Throat Plate, medium oblong needle hole, for 2258 and 15022..... |
| Note: Nos. 4827 and 4828 are sent with this machine unless other Throat Plates are specified on order. | | |
| 4829 | ----- | Throat Plate, small oblong needle hole, for 2258 and 15022..... |
| 691F | 6293 | Throat Plate Screw..... |
| *15404 | ----- | Trade Mark..... |
| 15405 | ----- | " " Rivet (2)..... |
| 4356 | ----- | Wheel Feed complete, Nos. 324D, 2263, 2265,3074,4351,4680,4827,4828 and 4993..... |
| 20291 | 22342 | Drip Pan with four 1 in. wire nails.... |

LIST OF PARTS COMPLETE
FOR



MACHINE No. 16-141

CLOTH OR LEATHER. MAXIMUM STITCH 4 1/2 TO THE
INCH. ALTERNATING PRESSERS. SPEED 1400 R. P. M.

| No. | Plate | Name |
|--------|-------|--|
| *4722 | ----- | Arm with 4448, 4449, 15404 and two 15405 |
| 2002 | 6299 | " Dowel Pin (2)..... |
| 4448 | 6299 | " Oil Tube, for intermediate bearing.. |
| 123E | 6299 | " Screw (3)..... |
| 4359 | 6295 | " Shaft..... |
| 3005 | 6295 | " " Bushing (back)..... |
| 448AL | 6295 | " " " Set Screw..... |
| *4449 | ----- | " " " (front)..... |
| 144D | 6295 | " " Screw..... |
| 4288 | 6299 | " Side Cover..... |
| 51224W | 6299 | " " Thumb Screw..... |
| 52239 | 6299 | " Spool Pin and Thread Eyelet..... |
| 11241 | 6299 | " " " washer (cloth)..... |
| 3008 | ----- | Balance Wheel (power) light rim, 1 3/4 in. pulley, with two 448AL..... |
| 3009 | ----- | Balance wheel (power) light rim, 2 5/16 in. pulley, with two 448AL..... |
| 4388 | 6295 | Balance Wheel (power) light rim, 2 3/4 in. pulley, with two 448AL..... |

Note: No. 4388 is regularly furnished with this
machine unless another Balance Wheel is
specified on order.

| No. | Plate | Name |
|--------|-------|---|
| 4370 | ----- | Balance Wheel (stand) heavy rim, 2 3/4 in. pulley, with two 448AL..... |
| 2862 | 6295 | Balance Wheel (stand) heavy rim, 3 in. pulley, for 3022..... |
| 56899 | 6299 | Balance Wheel (light rim) "V" belt groove (outside diam. of belt groove 2.9 in.) with two 435AL..... |
| 448AL | 6295 | Balance Wheel Set Screw for 3008, 3009, 4370 and 4388 (2)..... |
| 435AL | 6299 | Balance Wheel Set Screw for 56899 (2).. |
| 2139 | 6299 | " " Speed Pulley, 1 11/16 in. diam., with 451C..... |
| 2140 | 6299 | Balance Wheel Speed Pulley, 2 3/16 in. diam., with 437C..... |
| 451C | 6299 | Balance Wheel Speed Pulley Set Screw for 2139..... |
| 437C | 6299 | Balance Wheel Speed Pulley Set Screw for 2140..... |
| *80982 | ----- | Bed..... |
| 256J | 6295 | Clamp Stop Motion Clamp Screw..... |
| 248A | 6295 | " " " " Stop Screw..... |
| 2020 | 6295 | " " " " Washer..... |
| *3023 | ----- | " " " Flanged Bushing..... |
| 4933 | 6295 | " " " " 3023 with two 462AL..... |
| 2022 | ----- | Clamp Stop Motion Flanged Bushing Pin... " " " " Set |
| 462AL | 6295 | Screw (2)..... |
| 3022 | 6295 | Clamp Stop Motion complete, Nos. 248A, 256J, 2020 and 4933..... |
| 4292 | 6295 | Crank Connecting Rod with two 145E..... |
| 145E | 6295 | " " " Cap Screw (2).... |
| 375C | 6295 | " " " Hinge Screw..... |
| 1518E | 6295 | " " " " Nut.... |
| 56872 | 6296 | Face Plate with 2105..... |
| 56873 | 6296 | Face Plate complete, Nos. 448AL, 460AL, 2111, 2127, 2269, 4378, 56791, 56870, 56872 and two 233J..... |
| 175J | 6296 | Face Plate Screw (3)..... |
| 56870 | 6296 | " " Thread Guard..... |
| 233J | 6296 | " " " Screw..... |
| 4391 | 6297 | Feed Bar..... |
| 313C | 6297 | " " Screw Center (2)..... |
| 56813 | 6297 | " " " " 313C with 1519J (2) |
| 1519J | 6297 | " " " " Nut (2)..... |
| 3032 | 6295 | " Cam with 446AL..... |
| 446AL | 6295 | " " Set Screw..... |
| 52165 | 6295 | " Connecting Link..... |
| 375C | 6295 | " " " Hinge Screw (2)... |
| 1518J | 6295 | " " " " " Nut (2) |

| No. | Plate | Name |
|--|-------|---|
| 4642 | 6296 | Feed Dog, 15 teeth (16 teeth to the inch) for 4646 and 56836..... |
| Note: No. 4642 is regularly furnished with this machine unless another Feed Dog is specified on order. | | |
| 56835 | ----- | Feed Dog, 22 teeth (22 teeth to the inch) for 4646 and 56836..... |
| 56845 | ----- | Feed Dog, 15 teeth (16 teeth to the inch) spiked teeth, for 4646 and 56836..... |
| 208AL | 6296 | Feed Dog Screw (2)..... |
| 3037 | 6295 | " Forked Connection..... |
| 5749 | 6295 | Feed Forked Connection complete, Nos. 3037, 52165, 56886 and two each 375C and 1518J..... |
| 375C | 6295 | Feed Forked Connection Hinge Screw..... |
| 1518J | 6295 | " " " " " Nut.. |
| 3165 | 6297 | " Lifting Rock Shaft..... |
| 3163 | 6297 | Feed Lifting Rock Shaft complete, Nos. 3165 and 3166..... |
| 3166 | 6297 | Feed Lifting Rock Shaft Crank with 157J and 1813..... |
| 157J | 6297 | Feed Lifting Rock Shaft Crank Clamping Screw..... |
| 1813 | 6297 | Feed Lifting Rock Shaft Crank Roller and Stud..... |
| 307C | 6297 | Feed Lifting Rock Shaft Screw Center (2) |
| 56814 | 6297 | " " " " " " 307C with 1513J (2)..... |
| 1513J | 6297 | Feed Lifting Rock Shaft Screw Center Nut (2)..... |
| 3039 | 6295 | Feed Regulator..... |
| 56886 | ----- | " " 3039 with 818D..... |
| 58E | 6295 | " " Hinge Screw..... |
| 818D | 6295 | " " Thumb Screw..... |
| 3042 | 6297 | " Rock Shaft..... |
| 56880 | ----- | Feed Rock Shaft complete, Nos. 3042 and 29633..... |
| 29633 | 6297 | Feed Rock Shaft Crank with 157J..... |
| 2049 | ----- | " " " " Pin..... |
| 157J | 6297 | " " " " Clamping Screw.... |
| 307C | 6297 | " " " " Screw Center (2)..... |
| 56814 | 6297 | " " " " 307C with 1513J (2)..... |
| 1513J | 6297 | Feed Rock Shaft Screw Center Nut (2)... |
| 25875 | 6299 | Guide..... |
| 3126 | 6298 | " Bar..... |
| *56752 | ----- | " " 3126 with 2361 and two 2362... |
| 56844 | ----- | " " 56752 with 337J and 3137..... |
| 4730 | 6298 | Guide Bar complete, Nos. 810D, 810E, 3134, 4723, 4897, 56844 and three 404J.... |

| No. | Plate | Name |
|-------|-------|---|
| 4854 | 6298 | Guide Bar Driving Crank with 1862 and 3131..... |
| 1862 | 6298 | Guide Bar Driving Crank Roller (roller only)..... |
| 3131 | 6298 | Guide Bar Driving Crank Roller Cap..... |
| 3094 | 6295 | " " " " Wedge..... |
| 690E | 6295 | " " " " " Screw..... |
| 4723 | 6298 | " " Lifting Bracket..... |
| 404J | 6298 | " " " " Screw (3).... |
| 284D | 6299 | " Thumb Screw..... |
| 2058 | 6298 | Lifting Presser Bar..... |
| 3133 | 6298 | " " " Bracket with 641E and 1823..... |
| 641E | 6298 | Lifting Presser Bar Bracket Clamping Screw..... |
| 1823 | ----- | Lifting Presser Bar Bracket Roller and Stud..... |
| 4855 | 6298 | Lifting Presser Bar Lifter..... |
| 598C | 6298 | " " " " Screw..... |
| 4725 | 6298 | " " " Lifting Bracket.... |
| 4726 | 6298 | " " " " Guide Pin..... |
| 32675 | 6298 | Lifting Presser Bar Spring..... |
| 2070 | 6298 | " " " " Washer..... |
| 2358 | 6298 | " " Foot..... |
| 217J | 6298 | " " " Screw..... |
| 56888 | 6298 | Needle Bar for round shank needle..... |
| *4898 | ----- | " " Connecting Link with 390E.... |
| 56764 | 6298 | " " " " 4898 with 15472..... |
| 390E | 6298 | Needle Bar Connecting Link Adjusting Screw..... |
| 15472 | 6298 | Needle Bar Connecting Stud with 155C.... |
| 155C | 6298 | " " " " Set Screw.... |
| 4265 | 6298 | " Clamp with 196F..... |
| 4865 | 6298 | Needle Clamp complete, Nos. 651D, 4265 and 4266..... |
| 196F | 6298 | Needle Clamp Screw..... |
| 4266 | 6298 | " " Thread Guide..... |
| 651D | 6298 | " " " " Screw..... |
| 4304 | 6295 | Oscillating Rock Shaft with 4784..... |
| 5747 | 6295 | " " " " 4304 with 15489 and 56812..... |
| 3062 | 6295 | Oscillating Rock Shaft Hinge Pin..... |
| 56812 | 6295 | " " " " " 3052 with 1513J..... |
| 1513J | 6295 | Oscillating Rock Shaft Hinge Pin Nut.... |
| 635C | 6295 | " " " " " Screw Bearing..... |
| 15489 | 6295 | Oscillating Rock Shaft Hinge Pin Screw Bearing 635C with 1513J..... |

| No. | Plate | Name |
|--------|-------|--|
| 1513J | 6295 | Oscillating Rock Shaft Hinge Pin Screw Bearing Nut..... |
| 4784 | 6295 | Oscillating Rock Shaft Oil Pad..... |
| 3168 | 6297 | " Shaft..... |
| *56767 | ----- | " " 3168 with 2049, 15164 and 68751..... |
| 15163 | ----- | Oscillating Shaft Crank for 15164..... |
| 15426 | 6297 | " " " 15165..... |
| *15164 | ----- | Oscillating Shaft Crank complete, Nos. 462AL, 1519E, 15163 and 15171..... |
| 15165 | 6297 | Oscillating Shaft Crank complete, Nos. 1519E, 15171, 15426 and two 462AL... |
| 2049 | ----- | Oscillating Shaft Crank Pin..... |
| 462AL | 6297 | " " " Set Screw..... |
| 15170 | 6297 | " " " Slide Block..... |
| 226J | 6297 | " " " " Cap Screw..... |
| 12424 | 6297 | Oscillating Shaft Crank Slide Block Cap Screw Washer..... |
| 1035C | 6297 | Oscillating Shaft Crank Slide Block Screw Stud..... |
| 1519E | 6297 | Oscillating Shaft Crank Slide Block Screw Stud Nut..... |
| 15171 | ----- | Oscillating Shaft Crank Slide Block complete, Nos. 226J, 1035C, 12424 and 15170..... |
| 262J | 6298 | Pressure Regulating Thumb Screw..... |
| 2996 | 6298 | Shuttle Bobbin..... |
| 15140 | 6298 | " " Case Latch..... |
| 2973 | 6298 | " " " " Lever..... |
| 2974 | 6298 | " " " " Fulcrum Pin..... |
| 2975 | 6298 | Shuttle Bobbin Case Latch Spring..... |
| 592E | 6298 | " " " " Stop Screw.... |
| 15141 | 6298 | " " " " Hinge, Nos. 2973, 2974 and 15140..... |
| 15277 | 6298 | Shuttle Bobbin Case complete, Nos. 591F, 592E, 2975, 15141 and 15278..... |
| 2515 | 6298 | Shuttle Body..... |
| 591F | 6298 | " Tension Regulating Screw..... |
| 15278 | 6298 | " " Spring..... |
| 15100 | 6298 | Shuttle, 1 11/16 in. diam., Nos. 2515, 2996 and 15277..... |
| *68751 | ----- | Shuttle Driver..... |
| 68752 | 6297 | " " 68751 with two 462AL..... |
| 2049 | ----- | " " Pin..... |
| 462AL | 6297 | " " Set Screw (2)..... |
| 2531 | 6296 | " Race Back..... |
| 2532 | 6296 | " " Position Pin (2)..... |
| 2533 | 6296 | " " Spring..... |

| No. | Plate | Name |
|--------|-------|--|
| 648J | 6296 | Shuttle Race Back Spring Screw..... |
| 2530 | 6296 | " " " Body..... |
| 15420 | ----- | " " " 2530 with 2535 and two 662R..... |
| 2535 | 6296 | Shuttle Race Cap..... |
| 662R | 6296 | " " " Screw (2)..... |
| 56897 | 6296 | Shuttle Race complete, Nos. 648J, 2531, 2533, 15420 and two 2532..... |
| 145F | 6296 | Shuttle Race Screw (2)..... |
| 4305 | 6296 | " " Slide..... |
| 2824 | 6296 | " " " Spring..... |
| 51282E | 6296 | " " " " Screw (2).... |
| 80528 | 6296 | Shuttle Race Slide complete, Nos. 2824, 4305 and two 51282E..... |
| 2102 | 6296 | Tension Disc (2)..... |
| 56791 | 6296 | Tension complete, Nos. 2103, 2124, 16202 and two 2102..... |
| 4378 | 6296 | Tension Releaser..... |
| 2269 | 6296 | " " Hinge Pin..... |
| 1560C | 6296 | " Regulating Thumb Nut..... |
| 600C | 6296 | " Screw Stud..... |
| 16202 | 6296 | " " " 600C with 1560C..... |
| 448AL | 6296 | " " " Set Screw..... |
| 2103 | 6296 | " Spring..... |
| 2105 | 6296 | " Thread Guard..... |
| 2112 | 6296 | Thread Retaining Disc with 2113..... |
| 2113 | 6296 | " " " Steady Pin..... |
| 2114 | 6296 | " " Spring..... |
| 2115 | 6296 | " " Stud..... |
| 460AL | 6296 | " " " Set Screw..... |
| 2111 | 6296 | Thread Retainer Guide complete, Nos. 2112, 2114 and 2115..... |
| *56829 | ----- | Thread Take-up Cam..... |
| 3190 | 6295 | " " " 56829 with 446AL.... |
| 3012 | ----- | " " " Pin..... |
| 446AL | 6295 | " " " Set Screw..... |
| *3072 | ----- | " " " Lever with 1819..... |
| 56855 | 6296 | " " " 3072 with 1088C.... |
| 1088C | 6296 | " " " Hinge Screw..... |
| 1819 | 6296 | " " " Roller and Stud.... |
| 2124 | 6296 | " " Spring..... |
| 2127 | 6296 | " " " Regulator Plate... |
| 233J | 6296 | " " " " Ad-justing Screw..... |
| 4646 | 6296 | Throat Plate, large needle hole, for 4642 and 56835..... |
| Note: | | No. 4646 is regularly furnished with this machine unless another Throat Plate is specified on order. |
| 56836 | ----- | Throat Plate, small needle hole, for 4642 and 56835..... |

| No. | Plate | Name |
|--------|-------|--|
| 691F | 6296 | Throat Plate Screw..... |
| *15404 | ----- | Trade Mark..... |
| 15405 | ----- | " " Rivet (2)..... |
| 3134 | 6298 | Vibrating Presser Bar..... |
| 2361 | 6298 | " " " Hinge Bracket..... |
| 2362 | ----- | " " " " Rivet (2)..... |
| 810D | 6298 | Vibrating Presser Bar Hinge Cap Screw... |
| 4897 | 6298 | " " " Lifting Bell Crank |
| 810E | 6298 | " " " " Hinge Cap Screw..... |
| 3137 | 6298 | Vibrating Presser Bar Spring..... |
| 337J | 6298 | " " " " Screw..... |
| 3136 | 6298 | " " " Foot..... |
| 217J | 6298 | " " " Screw..... |
| 139622 | 22341 | Drip Pan with four 1 in. wire nails..... |

Genuine Singer Needles should be used
in Singer Machines.
These Needles and their Containers
are marked with the
Company's Trade Mark "SIMANCO." 1

Needles in Containers marked
"For Singer Machines"
are not Singer made needles. 2

ACCESSORIES

| No. | Plate | Name |
|--------|-------|---|
| 27136 | 24153 | Machine Button with wood screw 1 1/2 in. No. 14 R.H.B..... |
| 12361 | 24153 | Machine Hinge Connection (2)..... |
| 41400 | 24153 | " Rest Pin (wood)..... |
| 120342 | 24153 | Oiler (copper plated) with 120343..... |
| 120343 | 24153 | " Spout, 3 1/2 in. long..... |
| 26026 | 24153 | Screw Driver (machine)..... |
| 26485 | 24153 | " " (shuttle tension)..... |
| 8908 | 24153 | Wrench for 1519..... |
| 4347 | 24153 | " " 1513 and 1518..... |

BINDERS

BINDER (Adjustable)

TO TURN IN UPPER EDGE ONLY, FOR LIGHT OR
MEDIUM WEIGHT MATERIAL

FOR NO. 16-141 MACHINE

| No. | Plate | Name |
|--------|-------|--|
| 120242 | 24154 | Bed with 1036AL..... |
| 120244 | 24154 | Folder (upper)..... |
| 120245 | 24154 | Guide (center)..... |
| 120246 | 24154 | " (lower)..... |
| 51224W | 24154 | " Thumb Screw..... |
| 1036AL | 24154 | Leveling Screw..... |
| 120247 | 24154 | Binder (adjustable) complete, Nos. 51224W, 120242 and 120244 to 120246. |
| 35227 | 24154 | Feed Dog, 20 teeth (16 teeth to the inch) for 35229..... |
| 35230 | 24154 | Lifting Presser Foot..... |
| 35229 | 24154 | Throat Plate for 35227..... |
| 35181 | 24154 | Vibrating Presser Foot..... |

BINDER (Adjustable)
TO TURN IN BOTH EDGES OF LIGHT OR
MEDIUM WEIGHT MATERIAL
FOR NO. 16-141 MACHINE

| No. | Plate | Name |
|--------|-------|--|
| 120242 | 24154 | Bed with 1036AL..... |
| 120243 | 24154 | Folder (lower)..... |
| 120244 | 24154 | " (upper)..... |
| 120245 | 24154 | Guide (center)..... |
| 51224W | 24154 | " Thumb Screw..... |
| 1036AL | 24154 | Leveling Screw..... |
| 120248 | 24154 | Binder (adjustable) complete, Nos. 51224W and 120242 to 120245..... |
| 35227 | 24154 | Feed Dog, 20 teeth (16 teeth to the inch) for 35229..... |
| 35230 | 24154 | Lifting Presser Foot..... |
| 35229 | 24154 | Throat Plate for 35227..... |
| 35181 | 24154 | Vibrating Presser Foot..... |

BINDER (English)
FOR CIRCULAR BINDING, FOR SANDALS,
SLIPPERS, SHOE TONGUES, ETC.
FOR NO. 16-141 MACHINE

| No. | Plate | Name |
|--------|-------|--|
| 28365 | 24155 | Feed Dog, 11 teeth (24 teeth to the inch) for 28369..... |
| 120493 | 24155 | Folder with two 51022J, for 1/4 in. to 1/2 in. gauges..... |
| 120494 | ----- | Folder with two 1368J, for 17/32 in. to 19/32 in. gauges..... |
| 120495 | ----- | Folder with two 1368J, for 5/8 in. to 1 in. gauges..... |
| 207F | 24155 | Folder Screw for 28371..... |
| 51022J | 24155 | " " for 120493 (2)..... |
| 1368J | ----- | " " for 120494 and 120495 (2)..... |
| 7071 | 24155 | " " Washer..... |
| 28367 | 24155 | Lifting Presser Foot..... |
| 36620 | 24155 | Ribbon Guide..... |
| 337J | 24155 | " " Screw..... |

| No. | Plate | Name |
|-------|-------|--|
| 7806 | 24155 | Ribbon Guide Screw Washer..... |
| 28369 | 24155 | Throat Plate for 28365..... |
| 28370 | 24155 | Vibrating Presser Foot..... |
| 28371 | 24155 | Binder (English) complete, Nos. 207F, 337J, 7071, 7806, 28365, 28367, 28369, 28370, 36620 and 120493, 120494 or 120495..... |

BINDER (English)
FOR NO. 16-141 MACHINE

| No. | Plate | Name |
|-------|-------|---|
| 26251 | 24155 | Feed Dog, 15 teeth (16 teeth to the inch) for 26252..... |
| 25721 | 24155 | Folder..... |
| 207F | 24155 | " Screw..... |
| 7071 | 24155 | " " Washer..... |
| 2358 | 24155 | Lifting Presser Foot..... |
| 26614 | 24155 | Ribbon Tension Pin (bent)..... |
| 26615 | 24155 | " " " (straight) (4)..... |
| 26616 | 24155 | " " Plate..... |
| 25722 | 24155 | Ribbon Tension complete, Nos. 26614, 26616 and four 26615..... |
| 190J | 24155 | Ribbon Tension Screw..... |
| 7071 | 24155 | " " " Washer..... |
| 26252 | 24155 | Throat Plate for 26251..... |
| 26971 | 24155 | Vibrating Presser Foot..... |
| 26972 | 24155 | Binder (English) complete, Nos. 190J, 207F, 2358, 25721, 25722, 26251, 26252, 26971 and two 7071..... |

BINDERS ON SHANK
FOR NO. 16-141 MACHINE

| No. | Plate | Name |
|--------|-------|---|
| 35227 | 24155 | Feed Dog, 20 teeth (16 teeth to the inch) for 35229, for 35226..... |
| 35230 | 24155 | Lifting Presser Foot for 35226..... |
| 35229 | 24155 | Throat Plate for 35227, for 35226..... |
| 35181 | 24155 | Vibrating Presser Foot, for 35226..... |
| 35226 | 24155 | Binder on Shank, for mattress work..... |
| 35227 | 24156 | Feed Dog, 20 teeth (16 teeth to the inch) for 35229, for 35366..... |
| 120064 | 24156 | Feed Dog, 12 teeth (10 teeth to the inch) (spiked teeth) for 35229, for 35366..... |

| No. | Plate | Name |
|-------|-------|---|
| 35364 | 24156 | Lifting Presser Foot, for 35366..... |
| 35229 | 24156 | Throat Plate, for 35227, for 35366..... |
| 35365 | 24156 | Vibrating Presser Foot for 35366..... |
| 35366 | 24156 | Binder on Shank, for folding in upper edge of leather strip, for cap visors, harness housings, etc..... |

BOBBIN WINDERS

BOBBIN WINDER (TIGHT WHEEL)

| No. | Plate | Name |
|------|-------|---|
| 5522 | 24152 | Frame..... |
| 2460 | 24152 | Friction Ring (rubber)..... |
| 2461 | 24152 | Pulley..... |
| 5529 | 24152 | Spindle..... |
| 5530 | ----- | " 5529 with 2461..... |
| 2464 | 24152 | Spring..... |
| 5528 | 24152 | Bobbin Winder (tight wheel) complete, Nos. 2460, 5522 and 5530..... |
| 46D | 24152 | Bobbin Winder Hinge Screw..... |

BOBBIN WINDER (LOOSE WHEEL)

| No. | Plate | Name |
|--------|-------|--|
| 2466 | 24152 | Eccentric..... |
| 51224W | 24152 | " Thumb Screw..... |
| 5526 | 24152 | Frame..... |
| 2460 | 24152 | Friction Ring (rubber)..... |
| 2461 | 24152 | Pulley..... |
| 2693 | 24152 | Spindle..... |
| 2694 | ----- | " 2693 with 2461..... |
| 5531 | 24152 | Bobbin Winder (loose wheel) complete, Nos. 2460, 2466, 2694, 5526 and 51224W.. |
| 1489D | 24152 | Bobbin Winder Screw..... |

BOBBIN WINDER (LOOSE WHEEL)

WITH SPINDLE FOR SPOOL

| No. | Plate | Name |
|--------|-------|---|
| 2466 | 24152 | Eccentric..... |
| 51224W | 24152 | " Thumb Screw..... |
| 5526 | 24152 | Frame..... |
| 2460 | 24152 | Friction Ring (rubber)..... |
| 2461 | 24152 | Pulley..... |
| 2852 | 24152 | Spindle for bobbin..... |
| 2853 | ----- | " 2852 with 2846..... |
| 2846 | 24152 | " for spool..... |
| 5533 | 24152 | Bobbin Winder (loose wheel) complete, Nos. 2460, 2461, 2466, 2853, 5526 and 51224W..... |
| 1489D | 24152 | Bobbin Winder Screw..... |

BOBBIN WINDER

(SWINGING AUTOMATIC, RIGHT HAND)

| No. | Plate | Name |
|--------|-------|---|
| 27540 | 24053 | Base..... |
| 15072 | 24053 | Bobbin Position Pin..... |
| 27302 | 24053 | Frame..... |
| 50356D | 24053 | " Hinge Screw..... |
| 1620J | 24053 | " " " Nut..... |
| 27303 | ----- | " Spring..... |
| 27541 | 24053 | Pulley..... |
| 27538 | 24053 | Spindle with 15072..... |
| 27306 | 24053 | Spool Pin..... |
| 11241 | 24053 | " " Washer (cloth)..... |
| 27307 | 24053 | " Stand..... |
| 27308 | 24053 | Spool Stand complete, Nos. 418E, 1562J, 2106, 10141, 11241, 27306, 27307 and two each 2455 and wood screws 1 in. No. 10 |
| 27312 | 24053 | Stop Latch..... |
| 35D | 24053 | " Hinge Screw..... |
| 2455 | 24053 | Tension Disc (2)..... |
| 1562J | 24053 | " Regulating Thumb Nut..... |
| 418E | 24053 | " Screw Stud..... |
| 10141 | 24053 | " Spring..... |
| 2106 | 24053 | " Thread Guide..... |
| 27647 | 24053 | Bobbin Winder, Nos. 35D, 1620J, 27302, 27303, 27312, 27538, 27540, 27541, 50356D and two wood screws 1 in. No. 7.... |
| 27544 | 24053 | Bobbin Winder (swinging automatic, right hand) complete, Nos. 27308 and 27647 |

BOBBIN WINDER
(SWINGING AUTOMATIC, RIGHT HAND)

WITH SPINDLE FOR SPOOL

THIS BOBBIN WINDER IS THE SAME AS NO. 27544

WITH THE FOLLOWING EXCEPTIONS:

| No. | Plate | Name |
|-------|-------|--|
| 27610 | 24151 | Spindle with 15072, in place of 27538... |
| 2846 | 24151 | " for spool..... |
| 27611 | ----- | " 27610 with 2846..... |
| 27656 | 24151 | Bobbin Winder, Nos. 35D, 1620J, 27302, 27303, 27312, 27540, 27541, 27611, 50356D and two wood screws 1 in. No. 7, in place of 27647..... |
| 27612 | 24151 | Bobbin Winder (swinging automatic, right hand) complete, Nos. 27308 and 27656 |

BOBBIN WINDER

(SWINGING AUTOMATIC, RIGHT HAND)

FOR POWER TABLE

FOR ROUND BELT

| No. | Plate | Name |
|---------|-------|--|
| 259428 | 23253 | Brake (leather)..... |
| 259429 | 23253 | " Clamp..... |
| 200113F | 23253 | " " Screw..... |
| 259430 | 23253 | Bobbin Winder and Tension Bracket Base.. |
| 225453 | 23253 | Frame with 202277 and 225438..... |
| 225454 | 23253 | " Hinge Pin..... |
| 202277 | 23253 | " Oil Packing (wick)..... |
| 225438 | 23253 | " Well Cap..... |
| 225455 | 23253 | " Spring..... |
| 225456 | 23253 | " " Plunger..... |
| 225368 | 23253 | Pulley with 200380C..... |
| 200380C | 23253 | " Set Screw..... |
| 225381 | 23253 | Spindle..... |
| 225444 | 23253 | Stop Latch..... |
| 200056E | 23253 | " " Screw..... |
| 225458 | 23253 | " " Thumb Lever..... |
| 225459 | 23253 | " " " Hinge Stud..... |
| 225459 | 23253 | " " " Joint Stud..... |
| 202478 | 23253 | " " Trip Lever..... |
| 200299H | 23253 | " " " Hinge Screw..... |
| 225461 | 23253 | Tension Bracket with 201499B..... |
| 200082D | 23253 | " " Screw..... |

BOBBIN WINDER

| No. | Plate | Name |
|---------|-------|---|
| 228026 | 23253 | Tension Bracket Screw Washer..... |
| 2102 | 23253 | " Disc (2)..... |
| 13710 | 23253 | " Spring..... |
| 201499B | 23253 | " Stud..... |
| 201572B | 23253 | " " Thumb Nut..... |
| 225462 | 23253 | Bobbin Winder Tension Bracket complete, Nos. 13710, 201572B, 225461 and two 2102..... |
| 259431 | 23253 | Bobbin Winder complete for round belt, Nos. 200056E, 200082D, 200113F, 200299H, 202478, 225368, 225381, 225444, 225453, to 225456, 225458, 225462, 228026, 259428 to 259430 and two each 225459 and wood screws 3/4 in. No. 12 R.H.B..... |

BOBBIN WINDER

(SWINGING AUTOMATIC, RIGHT HAND)

FOR POWER TABLE

FOR "V" BELT

THIS BOBBIN WINDER IS THE SAME AS NO. 259431

WITH THE FOLLOWING EXCEPTIONS:

| No. | Plate | Name |
|--------|-------|---|
| 259461 | 23253 | Pulley with 200380C, in place of 225368. |
| 259462 | 23253 | Bobbin Winder complete, for "v" belt, Nos. 200056E, 200082D, 200113F, 200299H, 202478, 225381, 225444, 225453 to 225456, 225458, 225462, 228026, 259428 to 259430, 259461 and two each 225459 and wood screws 3/4 in. No. 12 R.H.B. |

CORDER

FOR EDGE CORDING

FOR NO. 16-141 MACHINE

| No. | Plate | Name |
|-------|-------|---|
| 35026 | 24156 | Corder on Shank..... |
| 35031 | 24156 | Feed Dog, 15 teeth (14 teeth to the inch) for 35032..... |
| 2358 | 24156 | Lifting Presser Foot..... |
| 35032 | 24156 | Throat Plate for 35031..... |
| 35033 | 24156 | Vibrating Presser Foot..... |
| 35034 | 24156 | Corder complete, for edge cording plush, Nos. 2358, 35026 and 35031 to 35033. |

EDGE GUIDE (Roller)

FOR NO. 16-141 MACHINE

| No. | Plate | Name |
|--------|-------|--|
| 26803 | 24156 | Edge Guide Bed with 2362..... |
| 220J | 24156 | " " Leveling Screw (4)..... |
| 121146 | 24156 | " " Slide with 26809, 51916 and two 12152..... |
| 26805 | 24156 | Edge Guide Slide Cap (left)..... |
| 207F | 24156 | " " " " " " Screw..... |
| 2362 | 24156 | " " " " " " Steady Pin.. |
| 26806 | 24156 | " " " " " (right)..... |
| 207F | 24156 | " " " " " " Screw (large) |
| 233J | 24156 | " " " " " " (small) |
| 26807 | 24156 | " " " " " Lever..... |
| 94D | 24156 | " " " " " Hinge Screw..... |
| 51916 | 24156 | " " " " " Roller and Stud..... |
| 26808 | 24156 | " " " " " Spring..... |
| 26809 | 24156 | " " " " " Cover..... |
| 12152 | 24156 | " " " " " Rivet (2) |
| 26810 | 24156 | Edge Guide (roller) complete, Nos. 94D, 233J,26803,26805 to 26808,121146,two 207F and four 220J..... |
| 190J | 24156 | Edge Guide Screw..... |
| 26812 | 24156 | Lifting Presser Foot..... |

FINGER GUARD

FOR NO. 16-141 MACHINE

| No. | Plate | Name |
|--------|-------|-------------------|
| 121332 | 24156 | Finger Guard..... |

FOOT LIFTER PARTS

FOR NO. 16-137 MACHINE

| No. | Plate | Name |
|-------|-------|---|
| 80657 | 6292 | Bell Crank with 445C..... |
| 445C | 6292 | " " Set Screw..... |
| 12234 | 6292 | " " Shaft..... |
| 12235 | 6292 | " " Spring..... |
| 5670 | 24158 | Chain, length 26 in. to 35 in. with 56864 and 56865..... |

Note: When ordering No. 5670, state length required.

FOOT LIFTER PARTS

29

| No. | Plate | Name |
|---------|-------|---|
| 4879 | 24158 | Chain Connecting Link..... |
| 56864 | 24158 | " " Hook (large)..... |
| 56865 | 24158 | " " (small)..... |
| 5607 | 6292 | Lifting Lever..... |
| 5614 | 6292 | " " Connecting Rod..... |
| 802D | 6292 | " " Hinge Screw..... |
| 5608 | 6294 | Presser Bar Lifting Bracket with 453AL.. |
| 453AL | 6294 | " " " " Set Screw... |
| 2763 | 24158 | Rock Shaft..... |
| 7539 | 24158 | " " Hanger with two wood screws 1 in. No. 10 (2)..... |
| 6337 | 24158 | Rock Shaft Lifting Bracket with two 356C (2)..... |
| 12243 | 24158 | Rock Shaft Lifting Bracket Hook for 80657..... |
| 7125 | 24158 | Rock Shaft Lifting Bracket Hook for 5670 |
| 356C | 24158 | " " " " Set Screw (2)..... |
| 356C | 24158 | Rock Shaft Lifting Bracket Set Screw (2) |
| 2770 | 24158 | " " Stop Dog with 140219C..... |
| 140219C | 24158 | " " " " Set Screw..... |
| 37138 | 24158 | Rock Shaft complete, Nos. 2763, 2770, 7125, 12243 and two each 6337 and 7539.... |
| 4881 | 24158 | Treadle..... |
| 4882 | 24158 | " Shaft..... |
| 4883 | 24158 | " Spring..... |
| 4884 | 24158 | " Stand..... |
| 4885 | 24158 | Treadle complete, Nos. 4879, 4881 to 4884 and two wood screws 1 in. No. 16.... |
| 56858 | ----- | Foot Lifter complete, Nos. 802D, 4885, 5607, 5608, 5614, 5670, 12234, 12235, 37138 and 80657..... |

FOOT LIFTER PARTS

FOR NO. 16-141 MACHINE

| No. | Plate | Name |
|-------|-------|--|
| 80657 | 6297 | Bell Crank with 445C..... |
| 445C | 6297 | " " Set Screw..... |
| 12234 | 6297 | " " Shaft..... |
| 12235 | 6297 | " " Spring..... |
| 5670 | 24158 | Chain, length 26 in. to 35 in., with 56864 and 56865..... |

Note: When ordering No. 5670 state length required.

| | | |
|-------|-------|----------------------------|
| 4879 | 24158 | Chain Connecting Link..... |
| 56864 | 24158 | " " Hook (large)..... |
| 56865 | 24158 | " " (small)..... |

FOOT LIFTER PARTS

| No. | Plate | Name |
|---------|-------|--|
| 4724 | 6297 | Lifting Lever with 448AL..... |
| 4728 | 6297 | " " Connecting Rod..... |
| 12416 | 6297 | " " " " Joint..... |
| 76D | 6297 | " " " " Hinge Screw..... |
| 1521J | 6297 | Lifting Lever Connecting Rod Lock Nut... |
| 802D | 6297 | " " Hinge Screw..... |
| 4727 | 6297 | " " Pin..... |
| 448AL | 6297 | " " " Set Screw..... |
| 4725 | 6298 | " Presser Bar Lifting Bracket..... |
| 4726 | 6298 | " " " " Guide Pin..... |
| 2763 | 24158 | Rock Shaft..... |
| 7539 | 24158 | " " Hanger with two wood screws 1 in. No. 10 (2)..... |
| 6337 | 24158 | Rock Shaft Lifting Bracket with two 356C (2)..... |
| 12243 | 24158 | Rock Shaft Lifting Bracket Hook for 80657..... |
| 7125 | 24158 | Rock Shaft Lifting Bracket Hook for 5670 |
| 356C | 24158 | " " " " " Set Screw (2)..... |
| 356C | 24158 | Rock Shaft Lifting Bracket Set Screw (2) |
| 2770 | 24158 | " " Stop Dog with 140219C..... |
| 140219C | 24158 | " " " " Set Screw..... |
| 37138 | 24158 | Rock Shaft complete, Nos. 2763, 2770, 7125, 12243 and two each 6337 and 7539.... |
| 4881 | 24158 | Treadle..... |
| 4882 | 24158 | " Shaft..... |
| 4883 | 24158 | " Spring..... |
| 4884 | 24158 | " Stand..... |
| 4885 | 24158 | Treadle complete, Nos. 4879, 4881 to 4884 and two wood screws 1 in. No. 16.... |
| 56859 | ----- | Foot Lifter complete, Nos. 76D, 802D, 1521J, 4724 to 4728, 4885, 5670, 12234, 12235, 12416, 37138 and 80657..... |

HEMMERS (Foot) PLAIN BOTTOM

FOR NO. 16-137 MACHINE

| No. | Plate | Name |
|-------|-------|--|
| 25910 | 24159 | Hemmer (foot) plain bottom, narrow, for 3/32 in. hem..... |
| 25911 | 24159 | Hemmer (foot) plain bottom, for 3/32 in. hem..... |
| 25912 | 24159 | Hemmer (foot) plain bottom, for 1/8 in. hem..... |
| 25913 | 24159 | Hemmer (foot) plain bottom, for 3/16 in. hem..... |
| 25914 | 24159 | Hemmer (foot) plain bottom, for 1/4 in. hem..... |

KNEE LIFTER PARTS

FOR NO. 16-137 MACHINE

| No. | Plate | Name |
|---------|-------|---|
| 80657 | 6292 | Bell Crank with 445C..... |
| 445C | 6292 | " " Set Screw..... |
| 12234 | 6292 | " " Shaft..... |
| 12235 | 6292 | " " Spring..... |
| 5607 | 6292 | Lifting Lever..... |
| 5614 | 6292 | " " Connecting Rod..... |
| 802D | 6292 | " " Hinge Screw..... |
| 5608 | 6294 | Presser Bar Lifting Bracket with 453AL.. |
| 453AL | 6294 | " " " " Set Screw... |
| 2763 | 24158 | Rock Shaft..... |
| 7539 | 24158 | " " Hanger with two wood screws 1 in. No. 10 (2)..... |
| 2765 | 24158 | Rock Shaft Knee Arm..... |
| 2766 | 24158 | " " " " Hub with 356C..... |
| 356C | 24158 | " " " " " Set Screw..... |
| 2768 | ----- | Rock Shaft Knee Arm complete, Nos. 2765 to 2767..... |
| 2767 | 24158 | Rock Shaft Knee Plate with 356C..... |
| 356C | 24158 | " " " " Set Screw..... |
| 6337 | 24158 | " " Lifting Bracket with two 356C |
| 2778 | 24158 | " " " " Hook..... |
| 356C | 24158 | " " " " " Set Screw |
| 356C | 24158 | " " " " " Set Screw.... |
| 2770 | 24158 | " " Stop Dog with 140219C (2)... |
| 140219C | 24158 | " " " " Set Screw (2)..... |
| 12250 | 24158 | Rock Shaft complete, Nos. 2763, 2768, 2778, 6337 and two each 2770 and 7539.... |
| 56861 | ----- | Knee Lifter complete, Nos. 802D, 5607, 5608, 5614, 12234, 12235, 12250 and 80657..... |

KNEE LIFTER PARTS

FOR NO. 16-141 MACHINE

| No. | Plate | Name |
|-------|-------|-------------------------------|
| 80657 | 6297 | Bell Crank with 445C..... |
| 445C | 6297 | " " Set Screw..... |
| 12234 | 6297 | " " Shaft..... |
| 12235 | 6297 | " " Spring..... |
| 4724 | 6297 | Lifting Lever with 448AL..... |
| 4728 | 6297 | " " Connecting Rod..... |

KNEE LIFTER PARTS

| No. | Plate | Name |
|---------|-------|--|
| 12416 | 6297 | Lifting Lever Connecting Rod Joint..... |
| 76D | 6297 | " " " " " " Hinge Screw..... |
| 1521J | 6297 | Lifting Lever Connecting Rod Lock Nut... |
| 802D | 6297 | " " Hinge Screw..... |
| 4727 | 6297 | " " Pin..... |
| 448AL | 6297 | " " " Set Screw..... |
| 4725 | 6298 | " Presser Bar Lifting Bracket.... |
| 4726 | 6298 | " " " " " Guide Pin..... |
| 2763 | 24158 | Rock Shaft..... |
| 7539 | 24158 | " " Hanger with two wood screws 1 in. No. 10 (2)..... |
| 2765 | 24158 | Rock Shaft Knee Arm..... |
| 2766 | 24158 | " " " " Hub with 356C..... |
| 356C | 24158 | " " " " " Set Screw..... |
| 2768 | ----- | Rock Shaft Knee Arm complete, Nos. 2765 to 2767..... |
| 2767 | 24158 | Rock Shaft Knee Plate with 356C..... |
| 356C | 24158 | " " " " " Set Screw..... |
| 6337 | 24158 | " " Lifting Bracket with two 356C |
| 2778 | 24158 | " " " " Hook..... |
| 356C | 24158 | " " " " " Set Screw |
| 356C | 24158 | " " " " " Set Screw.... |
| 2770 | 24158 | " " Stop Dog with 140219C (2)... |
| 140219C | 24158 | " " " " Set Screw (2)..... |
| 12250 | 24158 | Rock Shaft complete, Nos. 2763,2768,2778, 6337 and two each 2770 and 7539..... |
| 56862 | ----- | Knee Lifter complete, Nos. 76D, 802D, 1521J, 4724 to 4728, 12234, 12235, 12250, 12416 and 80657..... |

PLAIN ROLLER PRESSERS FOR NO. 16-137 MACHINE

| | | | | | | | | |
|---|--------|-------|--------|-------|--------|--------|--------|--------|
| Diameter of Roller | 9/16" | 9/16" | 7/8" | 7/8" | 1 1/4" | 1 1/4" | 1 1/2" | 1 1/2" |
| Face of Roller | 9/64" | 9/64" | 9/64" | 9/64" | 9/64" | 9/64" | 1/8" | 1/8" |
| Knurl of Roller | Coarse | Fine | Coarse | Fine | Coarse | Fine | Coarse | Fine |
| Roller | 1867 | 1843 | 1868 | 1841 | 1839 | 1869 | 1870 | 1853 |
| Roller Arm | 2202 | 2202 | 2203 | 2203 | 16098 | 16098 | 4863 | 4863 |
| Roller Arm Adjusting Screw | 440F | 440F | 440F | 440F | 440F | 440F | 440F | 440F |
| Roller Arm Adjusting Screw 440F with 1547J | 15446 | 15446 | 15446 | 15446 | 15446 | 15446 | 15446 | 15446 |
| Roller Arm Adjusting Screw Nut | 1547J | 1547J | 1547J | 1547J | 1547J | 1547J | 1547J | 1547J |
| Roller Arm Bracket | 2206 | 2206 | 2206 | 2206 | 4282 | 4282 | 4367 | 4367 |
| Roller Arm Bracket Screw Center | 316F | 316F | 316F | 316F | 316F | 316F | 316F | 316F |
| Roller Arm Bracket Screw Center 316F with 1547J | 15444 | 15444 | 15444 | 15444 | 15444 | 15444 | 15444 | 15444 |
| Roller Arm Bracket Screw Center Nut | 1547J | 1547J | 1547J | 1547J | 1547J | 1547J | 1547J | 1547J |
| Roller Arm Lock Spring | 2205 | 2205 | 2205 | 2205 | 2205 | 2205 | 2205 | 2205 |
| Roller Arm Lock Spring Screw | 176J | 176J | 176J | 176J | 176J | 176J | 176J | 176J |
| Roller Arm Lock Spring Screw Nut | 1549J | 1549J | 1549J | 1549J | 1549J | 1549J | 1549J | 1549J |
| Roller Screw | 388D | 388D | 652D | 652D | 388D | 388D | 388D | 388D |
| Roller Screw Nut | 1528J | 1528J | 1528J | 1528J | 1528J | 1528J | 1528J | 1528J |
| Roller Presser complete | 2194 | 2195 | 2196 | 2197 | 16099 | 16100 | 2200 | 2201 |

NUMERICAL LIST OF PARTS

| No. | Plate | Name |
|-------|-------|---|
| 35D | 24053 | Bobbin Winder Stop Latch Hinge Screw for 27647 and 27656..... |
| 46D | 24152 | Bobbin Winder Hinge Screw, for use with Bobbin Winder No. 5528..... |
| 58E | 6290 | Feed Regulator Hinge Screw..... |
| 76D | 6297 | Lifting Lever Connecting Rod Joint Hinge Screw for 56859 and 56862..... |
| 94D | 24156 | Edge Guide Slide Lever Hinge Screw for 26810..... |
| 123E | 6299 | Arm Screw (3)..... |
| 141C | 6293 | Feed Wheel Frame Adjusting Screw for 56834 (2)..... |
| 144D | 6290 | Arm Shaft Screw..... |
| 145E | 6290 | Crank Connecting Rod Cap Screw for 4292 (2)..... |
| 145F | 6291 | Shuttle Race Screw (2)..... |
| 151C | 6293 | Feed Wheel Friction Plate (back) Screw for 56834..... |
| 155C | 6294 | Needle Bar Connecting Stud Set Screw for 2052 and 15472..... |
| 157J | 6297 | Feed Lifting Rock Shaft Crank Clamping Screw for 3166..... |
| 157J | 6292 | Feed Rock Shaft Crank Clamping Screw for 29633..... |
| 164J | 6291 | Face Plate Screw for 16-137 Machine..... |
| 175J | 6296 | " " " for 16-141 Machine (3) |
| 176J | 6294 | Roller Arm Lock Spring Screw for 2194 to 2197, 2200, 2201, 16099 and 16100... |
| 183C | 6293 | Feed Wheel Friction Plate (front) Screw for 56834..... |
| 183F | 6293 | Feed Wheel Retaining Clutch Cap Screw for 56834..... |
| 190J | 24155 | Binder Ribbon Tension Screw for 26972... |
| 190J | 24156 | Edge Guide Screw, for use with Edge Guide No. 26810..... |
| 190J | 6294 | Presser Foot Screw for 16-137 Machine... |
| 190J | 6294 | Roller Presser Screw for 16-137 Machine. |
| 196F | 6294 | Needle Clamp Screw for 2167 and 4285.... |
| 207F | 24155 | Binder Folder Screw for 26972 and 28371. |
| 207F | 24156 | Edge Guide Slide Cap (left) Screw for 26810..... |
| 207F | 24156 | Edge Guide Slide Cap (right) Screw (large) for 26810..... |
| 208AL | 6296 | Feed Dog Screw for 16-141 Machine (2).. |
| 217J | 6298 | Lifting Presser Foot Screw for 16-141 Machine..... |

**Genuine Singer Needles should be used
in Singer Machines.
These Needles and their Containers
are marked with the
Company's Trade Mark "SIMANCO." 1**

**Needles in Containers marked
"For Singer Machines"
are not Singer made needles. 2**

NUMERICAL LIST OF PARTS

| No. | Plate | Name |
|------|-------|--|
| 217J | 6298 | Vibrating Presser Foot Screw for 16-141 Machine..... |
| 220J | 24156 | Edge Guide Leveling Screw for 26810 (4) |
| 226J | 6292 | Oscillating Shaft Crank Slide Block Cap Screw for 15171..... |
| 233J | 24156 | Edge Guide Slide Cap (right) Screw (small) for 26810..... |
| 233J | 6291 | Face Plate Thread Guard Screw for 56775 and 56873..... |
| 233J | 6294 | Needle Bar Thread Guard Screw for 16-137 Machine..... |
| 233J | 6291 | Thread Take-up Spring Regulator Plate Adjusting Screw for 56775 and 56873. |
| 240D | 6293 | Feed Wheel Retaining Clutch Spring Screw for 56834..... |
| 248A | 6290 | Clamp Stop Motion Clamp Stop Screw for 3022..... |
| 256J | 6290 | Clamp Stop Motion Clamp Screw for 3022.. |
| 262J | 6294 | Pressure Regulating Thumb Screw..... |
| 284D | 6299 | Guide Thumb Screw..... |
| 290E | 6294 | Needle Bar Screw Bushing for 16-137 Machine (2)..... |
| 290E | 6294 | Presser Bar Screw Bushing for 16-137 Machine..... |
| 307C | 6297 | Feed Lifting Rock Shaft Screw Center for 56814 (2)..... |
| 307C | 6292 | Feed Rock Shaft Screw Center for 56814 (2)..... |
| 307C | 6292 | Feed Wheel Frame Shaft Screw Center for 56814 (2)..... |
| 313C | 6297 | Feed Bar Screw Center for 56813 (2).... |
| 313C | 6292 | " Wheel Driver Link Screw Center for 56813 (2)..... |
| 316F | 6294 | Roller Arm Bracket Screw Center for 15444 (2)..... |
| 324D | 6292 | Feed Wheel Driver Link Screw for 4356... |
| 337J | 24155 | Binder Ribbon Guide Screw for 28371.... |
| 337J | 6298 | Vibrating Presser Bar Spring Screw for 16-141 Machine..... |
| 356C | 24158 | Rock Shaft Knee Arm Hub Set Screw for 2766..... |
| 356C | 24158 | Rock Shaft Knee Plate Set Screw for 2767 |
| 356C | 24158 | " " Lifting Bracket Hook Set Screw for 6337..... |
| 356C | 24158 | Rock Shaft Lifting Bracket Set Screw for 6337..... |
| 375C | 6290 | Crank Connecting Rod Hinge Screw..... |
| 375C | 6290 | Feed Connecting Link Hinge Screw for 5749 (2)..... |
| 375C | 6290 | Feed Forked Connection Hinge Screw..... |

NUMERICAL LIST OF PARTS

| No. | Plate | Name |
|-------|-------|--|
| 377C | 6294 | Needle Bar Connecting Link Hinge Screw for 16-137 Machine..... |
| 386D | 24157 | Roller Screw for 1839, 1853, 1869 and 1870..... |
| 388D | 24157 | Roller Screw for 1843 and 1867..... |
| 390E | 6298 | Needle Bar Connecting Link Adjusting Screw for 4898..... |
| 404J | 6298 | Guide Bar Lifting Bracket Screw for 4730 (3)..... |
| 418E | 24053 | Bobbin Winder Tension Screw Stud for 27308..... |
| 435AL | 6299 | Balance Wheel Set Screw for 56899 (2).. |
| 437C | 6299 | " " Speed Pulley Set Screw for 2140..... |
| 440F | 6294 | Roller Arm Adjusting Screw for 15446.... |
| 445C | 6292 | Bell Crank Set Screw for 80657..... |
| 446AL | 6295 | Feed Cam Set Screw for 3032..... |
| 446AL | 6290 | Feed Eccentric Set Screw for 3074..... |
| 446AL | 6290 | Thread Take-up Cam Set Screw for 3182 and 3190..... |
| 448AL | 6290 | Arm Shaft Bushing (back) Set Screw..... |
| 448AL | 6290 | Balance Wheel Set Screw for 3008, 3009, 4370 and 4388 (2)..... |
| 448AL | 6297 | Lifting Lever Pin Set Screw for 4724.... |
| 448AL | 6291 | Tension Screw Stud Set Screw for 56775 and 56873..... |
| 451C | 6299 | Balance Wheel Speed Pulley Set Screw for 2139..... |
| 453AL | 6294 | Presser Bar Lifting Bracket Set Screw for 5608..... |
| 454C | 6293 | Feed Wheel Frame Set Screw for 3113.... |
| 460AL | 6291 | Thread Retaining Stud Set Screw for 56775 and 56873..... |
| 462AL | 6290 | Clamp Stop Motion Flanged Bushing Set Screw for 4933 (2)..... |
| 462AL | 6292 | Oscillating Shaft Crank Set Screw for 15164 and 15165..... |
| 462AL | 6292 | Shuttle Driver Set Screw for 68752 (2). |
| 591F | 6294 | " Tension Regulating Screw for 15277..... |
| 592E | 6294 | Shuttle Bobbin Case Latch Stop Screw for 15277..... |
| 598C | 6298 | Lifting Presser Bar Lifter Screw for 16-141 Machine..... |
| 600C | 6291 | Tension Screw Stud for 16202..... |
| 635C | 6290 | Oscillating Rock Shaft Hinge Pin Screw Bearing for 15489..... |
| 641E | 6298 | Lifting Presser Bar Bracket Clamping Screw for 3133..... |
| 648J | 6296 | Shuttle Race Back Spring Screw for 56897 |

| No. | Plate | Name |
|--------|-------|---|
| 651D | 6298 | Needle Clamp Thread Guide Screw for 4865 |
| 652D | 6294 | Roller Screw for 1841 and 1868..... |
| 662R | 6291 | Shuttle Race Cap Screw for 2983 and 15420..... |
| 689C | 6294 | Presser Bar Lifter Screw for 16-137 Ma- chine..... |
| 690E | 6296 | Guide Bar Driving Crank Wedge Screw for 16-141 Machine..... |
| 691F | 6293 | Throat Plate Screw..... |
| 802D | 6292 | Lifting Lever Hinge Screw for 56858, 56859, 56861 and 56862..... |
| 810D | 6298 | Vibrating Presser Bar Hinge Cap Screw for 4730..... |
| 810E | 6298 | Vibrating Presser Bar Lifting Bell Crank Hinge Cap Screw for 4730..... |
| 818D | 6290 | Feed Regulator Thumb Screw for 56886.... |
| 907D | 6291 | Shuttle Race Back Spring Screw for 2983. |
| 1035C | 6292 | Oscillating Shaft Crank Slide Block Screw Stud for 15171..... |
| 1036AL | 24154 | Binder Leveling Screw for 120242..... |
| 1038C | 6291 | Thread Take-up Lever Hinge Screw for 56855..... |
| 1366J | ----- | Binder Folder Screw for 120494 and 120495 (2)..... |
| 1489D | 24152 | Bobbin Winder Screw, for use with Bobbin Winders Nos. 5531 and 5533..... |
| 1513J | 6297 | Feed Lifting Rock Shaft Screw Center Nut for 56814 (2)..... |
| 1513J | 6292 | Feed Rock Shaft Screw Center Nut for 56814 (2)..... |
| 1513J | 6292 | Feed Wheel Frame Shaft Screw Center Nut for 56814 (2)..... |
| 1513J | 6290 | Oscillating Rock Shaft Hinge Pin Nut for 56812..... |
| 1513J | 6290 | Oscillating Rock Shaft Hinge Pin Screw Bearing Nut for 15489..... |
| 1518E | 6290 | Crank Connecting Rod Hinge Screw Nut.... |
| 1518J | 6290 | Feed Connecting Link Hinge Screw Nut for 5749 (2)..... |
| 1518J | 6290 | Feed Forked Connection Hinge Screw Nut.. |
| 1518E | 6294 | Needle Bar Connecting Link Hinge Screw Nut for 16-137 Machine..... |
| 1519J | 6297 | Feed Bar Screw Center Nut for 56813 (2) |
| 1519J | 6292 | " Wheel Driver Link Screw Center Nut for 56813 (2)..... |
| 1519E | 6292 | Oscillating Shaft Crank Slide Block Screw Stud Nut for 15164 and 15165.. |
| 1520J | 6294 | Presser Bar Lifter Screw Nut for 16-137 Machine..... |
| 1521J | 6297 | Lifting Lever Connecting Rod Lock Nut for 56859 and 56862..... |

| No. | Plate | Name |
|-------|-------|---|
| 1528J | 6293 | Feed Wheel Frame Adjusting Screw Nut for 56834 (2)..... |
| 1528J | 6294 | Roller Screw Nut for 1839,1841,1853,1868 to 1870..... |
| 1547J | 6294 | Roller Arm Adjusting Screw Nut for 15446 |
| 1547J | 6294 | " " Bracket Screw Center Nut for 15444 (2)..... |
| 1549J | 6294 | Roller Arm Lock Spring Screw Nut for 2194 to 2197, 2200, 2201, 16099 and 16100..... |
| 1550J | 24157 | Roller Screw Nut for 1843 and 1867..... |
| 1560C | 6291 | Tension Regulating Thumb Nut for 16202.. |
| 1562J | 24053 | Bobbin Winder Tension Regulating Thumb Nut for 27308..... |
| 1620J | 24053 | Bobbin Winder Frame Hinge Screw Nut for 27647 and 27656..... |
| 1613 | 6297 | Feed Lifting Rock Shaft Crank Roller and Stud for 3166..... |
| 1619 | 6291 | Thread Take-up Lever Roller and Stud for 3072..... |
| 1623 | ----- | Lifting Presser Bar Bracket Roller and Stud for 3133..... |
| 1839 | 24157 | Roller, 1 1/4 in. diam., 9/64 in. face, coarse, with 386D and 1528J, for 16099..... |
| 1841 | 6294 | Roller, 7/8 in. diam., 9/64 in. face, fine, with 652D and 1528J, for 2197. |
| 1843 | 24157 | Roller, 9/16 in. diam., 9/64 in. face, fine, with 388D and 1550J, for 2195. |
| 1853 | 24157 | Roller, 1 1/2 in. diam., 1/8 in. face, fine, with 386D and 1528J, for 2201. |
| 1862 | 6298 | Guide Bar Driving Crank Roller (roller only) for 4854..... |
| 1867 | 24157 | Roller, 9/16 in. diam., 9/64 in. face, coarse, with 388D and 1550J, for 2194..... |
| 1868 | 24157 | Roller, 7/8 in. diam., 9/64 in. face, coarse, with 652D and 1528J, for 2196 |
| 1869 | 24157 | Roller, 1 1/4 in. diam., 9/64 in. face, fine, with 386D and 1528J, for 16100 |
| 1870 | 24157 | Roller, 1 1/2 in. diam., 1/8 in. face, coarse, with 386D and 1528J, for 2200..... |
| 2002 | 6299 | Arm Dowel Pin (2)..... |
| 2020 | 6290 | Clamp Stop Motion Clamp Washer for 3022. |
| 2022 | ----- | " " " Flanged Bushing Pin... |
| 2049 | ----- | Feed Rock Shaft Crank Pin..... |
| 2049 | ----- | Oscillating Shaft Crank Pin for 56767... |
| 2049 | ----- | Shuttle Driver Pin..... |
| 2052 | 6294 | Needle Bar Connecting Stud with 155C, for 56773..... |

| No. | Plate | Name |
|------|-------|---|
| 2058 | 6298 | Lifting Presser Bar for 16-141 Machine.. |
| 2058 | 6294 | Presser Bar for 16-137 Machine..... |
| 2070 | 6298 | Lifting Presser Bar Spring Washer for 16-141 Machine..... |
| 2070 | 6294 | Presser Bar Spring Washer for 16-137 Ma- chine..... |
| 2102 | 23253 | Bobbin Winder Tension Disc for 225462 (2)..... |
| 2102 | 6291 | Tension Disc for 56791 (2)..... |
| 2103 | 6291 | " Spring for 56791..... |
| 2106 | 6291 | " Thread Guard for 56796 and 56872 |
| 2106 | 24053 | Bobbin Winder Tension Thread Guide for 27308..... |
| 2107 | 6291 | Face Plate Thread Guard for 56775..... |
| 2111 | 6291 | Thread Retainer Guide complete for 56775 and 56873, Nos. 2112,2114 and 2115.. |
| 2112 | 6291 | Thread Retaining Disc with 2113, for 2111..... |
| 2113 | 6291 | Thread Retaining Disc Steady Pin for 2112..... |
| 2114 | 6291 | Thread Retaining Spring for 2111..... |
| 2115 | 6291 | " Stud for 2111..... |
| 2124 | 6291 | " Take-up Spring for 56791..... |
| 2127 | 6291 | " Regulator Plate for 56775 and 56873..... |
| 2139 | 6299 | Balance Wheel Speed Pulley, 1 11/16 in. diam., with 451C..... |
| 2140 | 6299 | Balance Wheel Speed Pulley, 2 3/16 in. diam., with 437C..... |
| 2166 | 6294 | Needle Bar Thread Guard for 16-137 Ma- chine..... |
| 2167 | 6294 | Needle Clamp with 196F, for 16-137 Ma- chine..... |
| 2180 | 6294 | Presser Foot for 16-137 Machine..... |
| 2194 | 24157 | Roller Presser complete, 9/16 in. diam., 9/64 in. face, coarse roller, for 16-137 Machine, Nos.176J,1549J,1867, 2202,2205,2206,15446 and two 15444.. |
| 2195 | 24157 | Roller Presser complete, 9/16 in. diam., 9/64 in. face, fine roller, for 16-137 Machine, Nos.176J,1549J,1843, 2202,2205,2206,15446 and two 15444.. |
| 2196 | 24157 | Roller Presser complete, 7/8 in. diam., 9/64 in. face, coarse roller, for 16-137 Machine, Nos.176J,1549J,1868, 2203,2205,2206,15446 and two 15444.. |
| 2197 | 6294 | Roller Presser complete, 7/8 in. diam., 9/64 in. face, fine roller,for 16-137 Machine, Nos.176J,1549J,1841, 2203,2205,2206,15446 and two 15444.. |

Note: No. 2197 is sent with the 16-137 Machine un-
less another Roller Presser is specified on
order.

| No. | Plate | Name |
|--|-------|---|
| 2200 | 24157 | Roller Presser complete, 1 1/2 in. diam., 1/8 in. face, coarse roller, for 16-137 Machine, Nos.176J,1549J,1870, 2205,4367,4863,15446 and two 15444.. |
| 2201 | 24157 | Roller Presser complete, 1 1/2 in. diam., 1/8 in. face, fine roller, for 16-137 Machine, Nos.176J,1549J,1853, 2205,4367,4863,15446 and two 15444.. |
| 2202 | 24157 | Roller Arm for 2194 and 2195..... |
| 2203 | 6294 | " " for 2196 and 2197..... |
| 2205 | 6294 | " " Lock Spring for 2194 to 2197, 2200, 2201, 16099 and 16100..... |
| 2206 | 6294 | Roller Arm Bracket for 2194 to 2197..... |
| 2252 | 6293 | Feed Wheel Friction Plate (front) for 56834..... |
| 2254 | 6293 | Feed Wheel Retaining Clutch for 56834... |
| 2255 | 6293 | " " " " Cap for 56834 |
| 2256 | 6293 | " " " " Spring for 56834..... |
| 2258 | 6293 | Feed Wheel, fine teeth, for 4827 to 4829, for 56834..... |
| Note: No. 2258 is sent with the 16-137 Machine un- less another Feed Wheel is specified on order. | | |
| 2263 | 6293 | Feed Wheel Driver with 2266, for 4356... |
| 2265 | 6293 | " " " Spring for 4356..... |
| 2266 | 6293 | " " " Hook for 2263.. |
| 2269 | 6291 | Tension Releaser Hinge Pin for 56775 and 56873..... |
| 2308 | ---- | Presser Bar Spring (light) for 16-137 Machine..... |
| 2358 | 6298 | Lifting Presser Foot for 26972, 35034 and 16-141 Machine..... |
| 2361 | 6298 | Vibrating Presser Bar Hinge Bracket for 56752..... |
| 2362 | 24156 | Edge Guide Slide Cap (left) Steady Pin for 26803..... |
| 2362 | ---- | Vibrating Presser Bar Hinge Bracket Rivet for 56752 (2)..... |
| 2455 | 24053 | Bobbin Winder Tension Disc for 27308 (2) |
| 2460 | 24152 | " Friction Ring (rubber) for 5528, 5531 and 5533..... |
| 2461 | 24152 | Bobbin Winder Pulley for 2694, 5530 and 5533..... |
| 2464 | 24152 | Bobbin Winder Spring, for use with Bobbin Winder No. 5528..... |
| 2466 | 24152 | Bobbin Winder Eccentric for 5531 and 5533..... |
| 2515 | 6294 | Shuttle Body for 15100..... |
| 2530 | 6296 | " Race Body for 15420..... |
| 2531 | 6296 | " Back for 56897..... |

NUMERICAL LIST OF PARTS

| No. | Plate | Name |
|------|-------|---|
| 2532 | 6291 | Shuttle Race Back Position Pin for 2983 and 56897 (2)..... |
| 2533 | 6291 | Shuttle Race Back Spring for 2983 and 56897..... |
| 2535 | 6296 | Shuttle Race Cap for 15420..... |
| 2693 | 24152 | Bobbin Winder Spindle for 2694..... |
| 2694 | ----- | " " " 2693 with 2461, for 5531..... |
| 2763 | 24158 | Rock Shaft for 12250 and 37138..... |
| 2765 | 24158 | " " Knee Arm for 2768..... |
| 2766 | 24158 | " " " " Hub with 356C, for 2768..... |
| 2767 | 24158 | Rock Shaft Knee Plate with 356C, for 2768..... |
| 2768 | ----- | Rock Shaft Knee Arm complete for 12250, Nos. 2765 to 2767..... |
| 2770 | 24158 | Rock Shaft Stop Dog with 140219C, for 12250 and 37138..... |
| 2778 | 24158 | Rock Shaft Lifting Bracket Hook for 12250..... |
| 2824 | 6296 | Shuttle Race Slide Spring for 80528..... |
| 2846 | 24152 | Bobbin Winder Spindle, for spool, for 2853 and 27611..... |
| 2852 | 24152 | Bobbin Winder Spindle, for bobbin, for 2853..... |
| 2853 | ----- | Bobbin Winder Spindle 2852 with 2846, for 5533..... |
| 2862 | 6290 | Balance Wheel (stand) heavy rim, 3 in. pulley, for 3022..... |
| 2973 | 6294 | Shuttle Bobbin Case Latch Lever for 15141..... |
| 2974 | 6294 | Shuttle Bobbin Case Latch Lever Fulcrum Pin for 15141..... |
| 2975 | 6294 | Shuttle Bobbin Case Latch Spring for 15277..... |
| 2980 | 6291 | Shuttle Race Back for 2983..... |
| 2981 | 6291 | " " Body for 2983..... |
| 2982 | 6291 | " " Cap for 2983..... |
| 2983 | 6291 | Shuttle Race complete for 16-137 Machine, Nos. 907D, 2533, 2980 to 2982 and two each 662R and 2532..... |
| 2996 | 6294 | Shuttle Bobbin for 15100..... |
| 3005 | 6290 | Arm Shaft Bushing (back)..... |
| 3008 | ----- | Balance Wheel (power) light rim, 1 3/4 in. pulley, with two 448AL..... |
| 3009 | ----- | Balance Wheel (power) light rim, 2 5/16 in. pulley, with two 448AL..... |
| 3012 | ----- | Thread Take-up Cam Pin..... |
| 3022 | 6290 | Clamp Stop Motion complete, Nos. 248A, 256J, 2020 and 4933..... |

NUMERICAL LIST OF PARTS

| No. | Plate | Name |
|--|-------|---|
| *3023 | ----- | Clamp Stop Motion Flanged Bushing for 4933..... |
| 3032 | 6295 | Feed Cam with 446AL, for 16-141 Machine. |
| 3037 | 6290 | Feed Forked Connection for 5749..... |
| 3039 | 6290 | " Regulator for 56886..... |
| 3042 | 6292 | " Rock Shaft for 56880..... |
| 3044 | 6294 | Needle Bar for 16-137 Machine..... |
| *3045 | ----- | " " Connecting Link for 56773..... |
| 3052 | 6290 | Oscillating Rock Shaft Hinge Pin for 56812..... |
| 3056 | 6294 | Presser Bar Spring (heavy) for 16-137 Machine..... |
| Note: No. 3056 is regularly furnished with the 16-137 Machine unless otherwise specified on order. | | |
| *3072 | ----- | Thread Take-up Lever with 1819, for 56855 |
| 3074 | 6290 | Feed Eccentric with 446AL, for 4356..... |
| 3077 | 6292 | " Wheel Frame Shaft for 4680..... |
| 3094 | 6295 | Guide Bar Driving Crank Wedge for 16-141 Machine..... |
| 3113 | 6293 | Feed Wheel Frame with 454C, for 56834... |
| 3114 | 6293 | " " Friction Plate (back) for 56834..... |
| 3126 | 6298 | Guide Bar for 56752..... |
| 3131 | 6298 | " " Driving Crank Roller Cap for 4854..... |
| 3133 | 6298 | Lifting Presser Bar Bracket with 641E and 1823, for 16-141 Machine..... |
| 3134 | 6298 | Vibrating Presser Bar for 4730..... |
| 3136 | 6298 | " " Foot for 16-141 Machine |
| 3137 | 6298 | " " Bar Spring for 56844... |
| 3163 | 6297 | Feed Lifting Rock Shaft complete for 16-141 Machine, Nos. 3165 and 3166.. |
| 3165 | 6297 | Feed Lifting Rock Shaft for 3163..... |
| 3166 | 6297 | " " " Crank with 157J and 1813, for 3163..... |
| 3168 | 6292 | Oscillating Shaft for 56767..... |
| 3182 | 6290 | Thread Take-up Cam 56828 with 446AL, for 16-137 Machine..... |
| 5190 | 6295 | Thread Take-up Cam 56829 with 446AL, for 16-141 Machine..... |
| 4265 | 6298 | Needle Clamp with 196F, for 4865..... |
| 4266 | 6298 | " " Thread Guide for 4865..... |
| 4282 | 24157 | Roller Arm Bracket for 16099 and 16100.. |
| *4287 | ----- | Arm with 444B, 4449, 15404 and two 15405, for 16-137 Machine..... |
| 4288 | 6299 | Arm Side Cover..... |
| 4292 | 6290 | Crank Connecting Rod with two 145E..... |
| 4304 | 6290 | Oscillating Rock Shaft with 4784, for 5747..... |

| No. | Plate | Name |
|---|-------|---|
| 4305 | 6296 | Shuttle Race Slide for 80528..... |
| 4307 | 6291 | " " " Spring for 4351..... |
| 4347 | 24153 | Wrench for 1513 and 1518 (Accessories) |
| 4350 | 6291 | Shuttle Race Slide for 4351..... |
| 4351 | 6291 | Shuttle Race Slide complete for 4356, Nos. 4307, 4350 and two 4352..... |
| 4352 | 6291 | Shuttle Race Slide Spring Rivet for 4351 (2)..... |
| 4356 | ----- | Wheel Feed complete for 16-137 Machine, Nos. 324D, 2263, 2265, 3074, 4351, 4680, 4827, 4828 and 4993..... |
| 4359 | 6295 | Arm Shaft for 16-141 Machine..... |
| 4367 | 24157 | Roller Arm Bracket for 2200 and 2201.... |
| 4368 | 6290 | Arm Shaft for 56837..... |
| 4369 | 6291 | Tension Releaser for 56775..... |
| 4370 | 6290 | Balance Wheel (stand) heavy rim, 2 3/4 in. pulley, with two 448AL..... |
| Note: No. 4370 is regularly furnished with the 16-137 Machine unless another Balance Wheel is specified on order. | | |
| 4378 | 6296 | Tension Releaser for 56873..... |
| 4388 | 6295 | Balance Wheel (power) light rim, 2 3/4 in. pulley, with two 448AL..... |
| Note: 4388 is regularly furnished with the 16-141 Machine unless another Balance Wheel is specified on order. | | |
| 4391 | 6297 | Feed Bar for 16-141 Machine..... |
| 4448 | 6299 | Arm Oil Tube, for intermediate bearing, for 4287 and 4722..... |
| *4449 | ----- | Arm Shaft Bushing (front) for 4287 and 4722..... |
| 4642 | 6296 | Feed Dog, 15 teeth (16 teeth to the inch) for 4646 and 56836, for 16-141 Ma- chine..... |
| Note: No. 4642 is regularly furnished with the 16-141 Machine unless another Feed Dog is specified on order. | | |
| 4646 | 6296 | Throat Plate, large needle hole, for 4642 and 56835, for 16-141 Machine.. |
| Note: No. 4646 is regularly furnished with the 16-141 Machine unless another Throat Plate is specified on order. | | |
| 4680 | ----- | Feed Wheel Frame complete for 4356, Nos. 3077 and 56834..... |
| *4722 | ----- | Arm with 4448, 4449, 15404 and two 15405, for 16-141 Machine..... |
| 4723 | 6298 | Guide Bar Lifting Bracket for 4730..... |
| 4724 | 6297 | Lifting Lever with 448AL, for 56859 and 56862..... |
| 4725 | 6298 | Lifting Presser Bar Lifting Bracket for 56859 and 56862..... |

| No. | Plate | Name |
|--|-------|---|
| 4726 | 6298 | Lifting Presser Bar Lifting Bracket Guide Pin for 56859 and 56862..... |
| 4727 | 6297 | Lifting Lever Pin for 56859 and 56862... |
| 4728 | 6297 | " " Connecting Rod for 56859 and 56862..... |
| 4730 | 6298 | Guide Bar complete for 16-141 Machine, Nos. 810D, 810E, 3134, 4723, 4897, 56844 and three 404J..... |
| 4784 | 6290 | Oscillating Rock Shaft Oil Pad for 4304. |
| 4827 | 6293 | Throat Plate, large oblong needle hole, for 2258 and 15022, for 4356..... |
| 4828 | 6293 | Throat Plate, medium oblong needle hole, for 2258 and 15022, for 4356..... |
| Note: Nos. 4827 and 4828 are sent with the 16-137 Machine unless other Throat Plates are specified on order. | | |
| 4829 | ----- | Throat Plate, small oblong needle hole, for 2258 and 15022..... |
| 4854 | 6298 | Guide Bar Driving Crank with 1862 and 3131, for 16-141 Machine..... |
| 4855 | 6298 | Lifting Presser Bar Lifter for 16-141 Machine..... |
| 4863 | 24157 | Roller Arm for 2200 and 2201..... |
| 4865 | 6298 | Needle Clamp complete for 16-141 Machine, Nos. 651D, 4265 and 4266..... |
| 4879 | 24158 | Chain Connecting Link for 4885..... |
| 4881 | 24158 | Treadle for 4885..... |
| 4882 | 24158 | " Shaft for 4885..... |
| 4883 | 24158 | " Spring for 4885..... |
| 4884 | 24158 | " Stand for 4885..... |
| 4885 | 24158 | Treadle complete for 56858 and 56859, Nos. 4879, 4881 to 4884 and two wood screws 1 in. No. 16..... |
| 4897 | 6298 | Vibrating Presser Bar Lifting Bell Crank for 4730..... |
| *4898 | ----- | Needle Bar Connecting Link with 390E, for 56764..... |
| 4933 | 6290 | Clamp Stop Motion Flanged Bushing 3023 with two 462AL, for 3022..... |
| 4993 | 6292 | Feed Wheel Driver Link for 4356..... |
| 5522 | 24152 | Bobbin Winder Frame for 5523..... |
| 5526 | 24152 | " " " for 5531 and 5533... |
| 5528 | 24152 | Bobbin Winder (tight wheel) complete, Nos. 2460, 5522 and 5530..... |
| 5529 | 24152 | Bobbin Winder Spindle for 5530..... |
| 5530 | ----- | " " " 5529 with 2461, for 5528..... |
| 5531 | 24152 | Bobbin Winder (loose wheel) complete, Nos. 2460, 2466, 2694, 5526 and 51224W. |
| 5533 | 24152 | Bobbin Winder (loose wheel) complete, with spindle for spool, Nos. 2460, 2461, 2466, 2853, 5526 and 51224W... |

NUMERICAL LIST OF PARTS

| No. | Plate | Name |
|--|-------|--|
| 5607 | 6292 | Lifting Lever for 56858 and 56861..... |
| 5603 | 6294 | Presser Bar Lifting Bracket with 453AL, for 56858 and 56861..... |
| 5614 | 6292 | Lifting Lever Connecting Rod for 56858 and 56861..... |
| 5670 | 24158 | Chain, length 26 in. to 35 in., with 56864 and 56865, for 56858 and 56859 |
| Note: When ordering No. 5670, state length required. | | |
| 5747 | 6290 | Oscillating Rock Shaft 4304 with 15489 and 56812..... |
| 5749 | 6290 | Feed Forked Connection complete, Nos. 3037, 52165, 56886 and two each 375C and 1516J..... |
| 6337 | 24158 | Rock Shaft Lifting Bracket with two 356C, 12250 and 37138..... |
| 7071 | 24155 | Binder Folder Screw Washer for 26972 and 28371..... |
| 7071 | 24155 | Binder Ribbon Tension Screw Washer for 26972..... |
| 7125 | 24158 | Rock Shaft Lifting Bracket Hook for 37138, for use with 5670..... |
| 7539 | 24158 | Rock Shaft Hanger with two wood screws 1 in. No. 10, for 12250 and 37138 (2) |
| 7806 | 24155 | Binder Ribbon Guide Screw Washer for 28371..... |
| 8908 | 24153 | Wrench for 1519 (Accessories)..... |
| 10141 | 24053 | Bobbin Winder Tension Spring for 27308.. |
| 11241 | 6299 | Arm Spool Pin Washer (cloth)..... |
| 11241 | 24053 | Bobbin Winder Spool Pin Washer (cloth) for 27308..... |
| 12152 | 24156 | Edge Guide Slide Spring Cover Rivet for 121146 (2)..... |
| 12234 | 6292 | Bell Crank Shaft for 56858, 56859, 56861 and 56862..... |
| 12235 | 6292 | Bell Crank Spring for 56858, 56859, 56861 and 56862..... |
| 12243 | 24158 | Rock Shaft Lifting Bracket Hook for 37138, for use with 80657..... |
| 12250 | 24158 | Rock Shaft complete for 56861 and 56862, Nos. 2763, 2768, 2778, 6337 and two each 2770 and 7539..... |
| 12361 | 24153 | Machine Hinge Connection (Accessories) (2)..... |
| 12416 | 6297 | Lifting Lever Connecting Rod Joint for 56859 and 56862..... |
| 12424 | 6292 | Oscillating Shaft Crank Slide Block Cap Screw Washer for 15171..... |
| 13710 | 23253 | Bobbin Winder Tension Spring for 225462. |
| 15022 | ----- | Feed Wheel, coarse teeth, for 4827 to 4829, for 16-137 Machine..... |

NUMERICAL LIST OF PARTS

| No. | Plate | Name |
|--------|-------|--|
| 15072 | 24053 | Bobbin Winder Bobbin Position Pin for 27538 and 27610..... |
| 15100 | 6294 | Shuttle, 1 11/16 in. diam., Nos. 2515, 2996 and 15277..... |
| 15140 | 6294 | Shuttle Bobbin Case Latch for 15141..... |
| 15141 | 6294 | " " " Hinge for 15277, Nos. 2973, 2974 and 15140..... |
| 15163 | ----- | Oscillating Shaft Crank for 15164..... |
| *15164 | ----- | Oscillating Shaft Crank complete for 56767, Nos. 462AL, 1519E, 15163 and 15171..... |
| 15165 | 6292 | Oscillating Shaft Crank complete, Nos. 1519E, 15171, 15426 and two 462AL... |
| 15170 | 6292 | Oscillating Shaft Crank Slide Block for 15171..... |
| 15171 | ----- | Oscillating Shaft Crank Slide Block com- plete for 15164 and 15165, Nos. 226J, 1035C, 12424 and 15170..... |
| 15277 | 6294 | Shuttle Bobbin Case complete for 15100, Nos. 591F, 592E, 2975, 15141 and 15278. |
| 15278 | 6294 | Shuttle Tension Spring for 15277..... |
| *15404 | ----- | Trade Mark for 4287 and 4722..... |
| 15405 | ----- | " " Rivet for 4287 and 4722 (2) |
| 15420 | ----- | Shuttle Race Body 2530 with 2535 and two 662R, for 56897..... |
| 15426 | 6292 | Oscillating Shaft Crank for 15165..... |
| 15444 | ----- | Roller Arm Bracket Screw Center 316F with 1547J, for 2194 to 2197, 2200, 2201, 16099 and 16100 (2)..... |
| 15446 | ----- | Roller Arm Adjusting Screw 440F with 1547J, for 2194 to 2197, 2200, 2201, 16099 and 16100..... |
| 15472 | 6298 | Needle Bar Connecting Stud with 155C, for 56764..... |
| 15489 | 6290 | Oscillating Rock Shaft Hinge Pin Screw Bearing 635C with 1513J, for 5747... |
| 16098 | 24157 | Roller Arm for 16099 and 16100..... |
| 16099 | 24157 | Roller Presser complete, 1 1/4 in. diam., 9/64 in. face, coarse roller, for 16-137 Machine, Nos. 176J, 1549J, 1839, 2205, 4282, 15446, 16098 and two 15444. |
| 16100 | 24157 | Roller Presser complete, 1 1/4 in. diam., 9/64 in. face, fine roller, for 16-137 Machine, Nos. 176J, 1549J, 1869, 2205, 4282, 15446, 16098 and two 15444. |
| 16202 | 6291 | Tension Screw Stud 600C with 1560C, for 56791..... |
| 20291 | 22342 | Drip Pan with four 1 in. wire nails, for 16-137 Machine..... |
| 25721 | 24155 | Binder Folder for 26972..... |

NUMERICAL LIST OF PARTS

| No. | Plate | Name |
|-------|-------|---|
| 25722 | 24155 | Binder Ribbon Tension complete for 26972, Nos. 26614, 26616 and four 26615.... |
| 25875 | 6299 | Guide..... |
| 25910 | 24159 | Hemmer (foot) plain bottom, narrow, for 3/32 in. hem, for 16-137 Machine.... |
| 25911 | 24159 | Hemmer (foot) plain bottom, for 3/32 in. hem, for 16-137 Machine..... |
| 25912 | 24159 | Hemmer (foot) plain bottom, for 1/8 in. hem, for 16-137 Machine..... |
| 25913 | 24159 | Hemmer (foot) plain bottom, for 3/16 in. hem, for 16-137 Machine..... |
| 25914 | 24159 | Hemmer (foot) plain bottom, for 1/4 in. hem, for 16-137 Machine..... |
| 26026 | 24153 | Screw Driver (machine) Accessories.... |
| 26251 | 24155 | Feed Dog, 15 teeth (16 teeth to the inch) for 26252, for 26972..... |
| 26252 | 24155 | Throat Plate, for 26251, for 26972..... |
| 26485 | 24153 | Screw Driver (shuttle tension) Accessories..... |
| 26614 | 24155 | Binder Ribbon Tension Pin (bent) for 25722..... |
| 26615 | 24155 | Binder Ribbon Tension Pin (straight) for 25722 (4)..... |
| 26616 | 24155 | Binder Ribbon Tension Plate for 25722.... |
| 26803 | 24156 | Edge Guide Bed with 2362, for 26810.... |
| 26805 | 24156 | " " Slide Cap (left) for 26810.... |
| 26806 | 24156 | " " " " (right) for 26810.... |
| 26807 | 24156 | " " " Lever for 26810..... |
| 26808 | 24156 | " " " Spring for 26810..... |
| 26809 | 24156 | " " " Cover for 121146 |
| 26810 | 24156 | Edge Guide (roller) complete for 16-141 Machine, Nos. 94D, 233J, 26803, 26805 to 26808, 121146, two 207F and four 220J |
| 26812 | 24156 | Lifting Presser Foot, for use with Edge Guide No. 26810..... |
| 26971 | 24155 | Vibrating Presser Foot for 26972..... |
| 26972 | 24155 | Binder (English) complete for 16-141 Machine, Nos. 190J, 207F, 2358, 25721, 25722, 26251, 26252, 26971 and two 7071 |
| 27136 | 24153 | Machine Button with wood screw 1 1/2 in. No. 14 R.H.B. (Accessories)..... |
| 27302 | 24053 | Bobbin Winder Frame for 27647 and 27656. |
| 27303 | ----- | " " Spring for 27647 and 27656..... |
| 27306 | 24053 | Bobbin Winder Spool Pin for 27308..... |
| 27307 | 24053 | " " Stand for 27308..... |
| 27308 | 24053 | Bobbin Winder Spool Stand complete for 27544 and 27612, Nos. 418E, 1562J, 2106, 10141, 11241, 27306, 27307 and two each 2455 and wood screws 1 in. No. 10 |

NUMERICAL LIST OF PARTS

| No. | Plate | Name |
|-------|-------|--|
| 27312 | 24053 | Bobbin Winder Stop Latch for 27647 and 27656..... |
| 27538 | 24053 | Bobbin Winder Spindle with 15072, for 27647..... |
| 27540 | 24053 | Bobbin Winder Base for 27647 and 27656.. |
| 27541 | 24053 | " " Pulley for 27647 and 27656 |
| 27544 | 24053 | Bobbin Winder (swinging automatic, right hand) complete, Nos. 27308 and 27647 |
| 27610 | 24151 | Bobbin Winder Spindle with 15072, for 27611..... |
| 27611 | ----- | Bobbin Winder Spindle 27610 with 2846, for 27656..... |
| 27612 | 24151 | Bobbin Winder (swinging automatic, right hand) complete with spindle for spool, Nos. 27308 and 27656..... |
| 27647 | 24053 | Bobbin Winder for 27544, Nos. 35D, 1620J, 27302, 27303, 27312, 27538, 27540, 27541, 50356D and two wood screws 1 in. No. 7..... |
| 27656 | 24151 | Bobbin Winder for 27612, Nos. 35D, 1620J, 27302, 27303, 27312, 27540, 27541, 27611, 50356D and two wood screws 1 in. No. 7 |
| 28365 | 24155 | Feed Dog, 11 teeth (24 teeth to the inch) for 28369, for 28371..... |
| 28367 | 24155 | Lifting Presser Foot for 28371..... |
| 28369 | 24155 | Throat Plate for 28365, for 28371..... |
| 28370 | 24155 | Vibrating Presser Foot for 28371..... |
| 28371 | 24155 | Binder (English) complete, for circular binding, for sandals, slippers, shoe tongues, etc., for 16-141 Machine, Nos. 207F, 337J, 7071, 7806, 28365, 28367, 28369, 28370, 36620 and 120493, 120494 or 120495..... |
| 29633 | 6292 | Feed Rock Shaft Crank with 157J, for 56830..... |
| 32675 | 6298 | Lifting Presser Bar Spring for 16-141 Machine..... |
| 35026 | 24156 | Corder on Shank for 35034..... |
| 35031 | 24156 | Feed Dog, 15 teeth (14 teeth to the inch) for 35032, for 35034..... |
| 35032 | 24156 | Throat Plate for 35031, for 35034..... |
| 35033 | 24156 | Vibrating Presser Foot for 35034..... |
| 35034 | 24156 | Corder complete, for edge cording plush, for 16-141 Machine, Nos. 2358, 35026 and 35031 to 35033..... |
| 35131 | 24154 | Vibrating Presser Foot, for use with Binders Nos. 35226, 120247 and 120248..... |
| 35226 | 24155 | Binder on Shank, for mattress work, for 16-141 Machine..... |

| No. | Plate | Name |
|--------|-------|--|
| 35227 | 24154 | Feed Dog, 20 teeth (16 teeth to the inch) for 35229, for use with Binders Nos. 35226, 35366, 120247 and 120248..... |
| 35229 | 24154 | Throat Plate, for 35227, for use with Binders Nos. 35226, 35366, 120247 and 120248..... |
| 35230 | 24154 | Lifting Presser Foot, for use with Binders Nos. 35226, 120247 and 120248 |
| 35364 | 24156 | Lifting Presser Foot, for use with Binder No. 35366..... |
| 35365 | 24156 | Vibrating Presser Foot, for use with Binder No. 35366..... |
| 35366 | 24156 | Binder on Shank, for folding in upper edge of leather strip, for cap visors, harness housings, etc., for 16-141 Machine..... |
| 36620 | 24155 | Binder Ribbon Guide for 28371..... |
| 37138 | 24158 | Rock Shaft complete for 56858 and 56859, Nos. 2763, 2770, 7125, 12243 and two each 6337 and 7539..... |
| 41400 | 24153 | Machine Rest Pin (wood) Accessories... |
| 50356D | 24053 | Bobbin Winder Frame Hinge Screw for 27647 and 27656..... |
| 51022J | 24155 | Binder Folder Screw for 120493 (2)..... |
| 51224W | 6299 | Arm Side Cover Thumb Screw..... |
| 51224W | 24154 | Binder Guide Thumb Screw for 120247 and 120248..... |
| 51224W | 24152 | Bobbin Winder Eccentric Thumb Screw for 5531 and 5533..... |
| 51282E | 6296 | Shuttle Race Slide Spring Screw for 80528 (2)..... |
| 51916 | 24156 | Edge Guide Slide Roller and Stud for 121146..... |
| 52016 | 6294 | Presser Bar Lifter for 16-137 Machine... |
| 52165 | 6290 | Feed Connecting Link for 5749..... |
| 52239 | 6299 | Arm Spool Pin and Thread Eyelet..... |
| *56752 | ----- | Guide Bar 3126 with 2361 and two 2362, for 56844..... |
| 56764 | 6298 | Needle Bar Connecting Link 4898 with 15472, for 16-141 Machine..... |
| *56767 | ----- | Oscillating Shaft 3168 with 2049, 15164 and 68751..... |
| 56773 | 6994 | Needle Bar Connecting Link 3045 with 2052, for 16-137 Machine..... |
| 56775 | 6291 | Face Plate complete for 16-137 Machine, Nos. 448AL, 460AL, 2107, 2111, 2127, 2269, 4369, 56791, 56796 and two 233J..... |
| 56791 | 6291 | Tension complete for 56775 and 56873, Nos. 2103, 2124, 16202 and two 2102. |
| 56796 | 6291 | Face Plate with 2105, for 56775..... |

| No. | Plate | Name |
|--------|-------|--|
| 56812 | 6290 | Oscillating Rock Shaft Hinge Pin 3052 with 1513J, for 5747..... |
| 56813 | 6297 | Feed Bar Screw Center 313C with 1519J, for 16-141 Machine (2)..... |
| 56813 | 6292 | Feed Wheel Driver Link Screw Center 313C with 1519J (2)..... |
| 56814 | 6297 | Feed Lifting Rock Shaft Screw Center 307C with 1513J, for 16-141 Machine (2)..... |
| 56814 | 6292 | Feed Rock Shaft Screw Center 307C with 1513J (2)..... |
| 56814 | 6292 | Feed Wheel Frame Shaft Screw Center 307C with 1513J, for 16-137 Machine (2). |
| *56828 | ----- | Thread Take-up Cam for 3182..... |
| *56829 | ----- | " " " for 3190..... |
| 56834 | 6293 | Feed Wheel Frame complete for 4680, Nos. 151C, 183C, 183F, 240D, 2252, 2254 to 2256, 2258, 3113, 3114 and two each 141C and 1528J..... |
| 56835 | ----- | Feed Dog, 22 teeth (22 teeth to the inch) for 4646 and 56836, for 16-141 Machine..... |
| 56836 | ----- | Throat Plate, small needle hole, for 4642 and 56835..... |
| 56837 | ----- | Arm Shaft 4368 with 3074 and 56828, for 16-137 Machine..... |
| 56844 | ----- | Guide Bar 56752 with 337D and 3137, for 4730..... |
| 56845 | ----- | Feed Dog, 15 teeth (16 teeth to the inch) spiked teeth, for 4646 and 56836, for 16-141 Machine..... |
| 56855 | 6291 | Thread Take-up Lever 3072 with 1088C.... |
| 56858 | ----- | Foot Lifter complete for 16-137 Machine, Nos. 802D, 4885, 5607, 5608, 5614, 5670, 12234, 12235, 37138 and 80657..... |
| 56859 | ----- | Foot Lifter complete for 16-141 Machine, Nos. 76D, 802D, 1521J, 4724 to 4728, 4885, 5670, 12234, 12235, 12416, 37138 and 80657..... |
| 56861 | ----- | Knee Lifter complete for 16-137 Machine, Nos. 802D, 5607, 5608, 5614, 12234, 12235, 12250 and 80657..... |
| 56862 | ----- | Knee Lifter complete for 16-141 Machine, Nos. 76D, 802D, 1521J, 4724 to 4728, 12234, 12235, 12250, 12416 and 80657 |
| 56864 | 24158 | Chain Hook (large) for 5670..... |
| 56865 | 24158 | " " (small) for 5670..... |
| 56870 | 6296 | Face Plate Thread Guard for 56873..... |
| 56872 | 6296 | " " with 2105, for 56873..... |
| 56873 | 6296 | Face Plate complete for 16-141 Machine, Nos. 448AL, 460AL, 2111, 2127, 2269, 4378, 56791, 56870, 56872 and two 233J..... |

| No. | Plate | Name |
|--------|-------|--|
| 56880 | ----- | Feed Rock Shaft complete, Nos. 3042 and 29633..... |
| 56886 | ----- | Feed Regulator 3039 with 818D, for 5749. |
| 56888 | 6298 | Needle Bar, for round shank needle, for 16-141 Machine..... |
| 56897 | 6296 | Shuttle Race complete for 16-141 Machine, Nos. 648J, 2531, 2533, 15420 and two 2532..... |
| 56899 | 6299 | Balance Wheel (light rim) "v" belt groove (outside diam. of belt groove 2.9 in.) with two 435AL..... |
| *68751 | ----- | Shuttle Driver for 56767 and 66752..... |
| 68752 | 6292 | " " 68751 with two 462AL..... |
| 80528 | 6296 | Shuttle Race Slide complete for 16-141 Machine, Nos. 2824, 4305 and two 51282E..... |
| 80657 | 6292 | Bell Crank with 445C, for 56858, 56859, 56861 and 56862..... |
| *80982 | ----- | Bed..... |
| 120064 | 24156 | Feed Dog, 12 teeth (10 teeth to the inch) spiked teeth, for 35229, for use with Binder No. 35366..... |
| 120242 | 24154 | Binder Bed with 1036AL, for 120247 and 120248..... |
| 120243 | 24154 | Binder Folder (lower) for 120248..... |
| 120244 | 24154 | " " (upper) for 120247 and 120248..... |
| 120245 | 24154 | Binder Guide (center) for 120247 and 120248..... |
| 120246 | 24154 | Binder Guide (lower) for 120247..... |
| 120247 | 24154 | Binder (adjustable) complete, to turn in upper edge only, for light or medium weight material, for 16-141 Machine, Nos. 51224W, 120242 and 120244 to 120246..... |
| 120248 | 24154 | Binder (adjustable) complete, to turn in both edges of light or medium weight material, for 16-141 Machine, Nos. 51224W and 120242 to 120245..... |
| 120342 | 24153 | Oiler (copper plated) with 120343..... |
| 120343 | 24153 | " Spout, 3 1/2 in. long, for 120342. |
| 120493 | 24155 | Binder Folder with two 51022J, for 1/4 in. to 1/2 in. gauges, for 28371.... |
| 120494 | ----- | Binder Folder with two 1368J, for 17/32 in. to 19/32 in. gauges, for 28371.. |
| 120495 | ----- | Binder Folder with two 1368J, for 5/8 in. to 1 in. gauges, for 28371..... |
| 121146 | 24156 | Edge Guide Slide with 26809, 51916 and two 12152, for 26810..... |
| 121332 | 24156 | Finger Guard for 16-141 Machine..... |

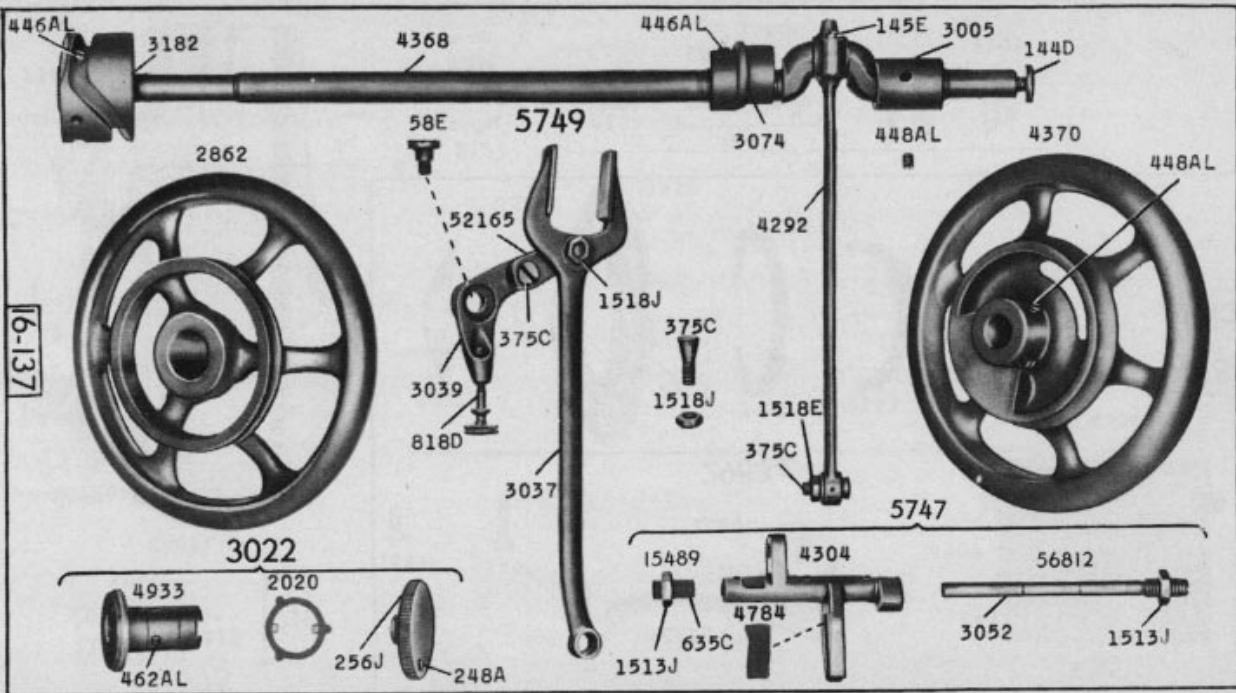
| No. | Plate | Name |
|---------|-------|---|
| 139622 | 22341 | Drip Pan with four 1 in. wire nails, for 16-141 Machine..... |
| 140219C | 24158 | Rock Shaft Stop Dog Set Screw for 2770.. |
| 200056E | 23253 | Bobbin Winder Stop Latch Screw for 259431 and 259462..... |
| 200062D | 23253 | Bobbin Winder Tension Bracket Screw for 259431 and 259462..... |
| 200113F | 23253 | Bobbin Winder Brake Clamp Screw for 259431 and 259462..... |
| 200299H | 23253 | Bobbin Winder Stop Latch Trip Lever Hinge Screw for 259431 and 259462... |
| 200380C | 23253 | Bobbin Winder Pulley Set Screw for 225368 and 259461..... |
| 201572B | 23253 | Bobbin Winder Tension Stud Thumb Nut for 225462..... |
| 201499B | 23253 | Bobbin Winder Tension Stud for 225461... |
| 202277 | 23253 | " " Frame Oil Packing (wick) for 225453..... |
| 202478 | 23253 | Bobbin Winder Stop Latch Trip Lever for 259431 and 259462..... |
| 225368 | 23253 | Bobbin Winder Pulley with 200380C, for 259431..... |
| 225381 | 23253 | Bobbin Winder Spindle for 259431 and 259462..... |
| 225438 | 23253 | Bobbin Winder Frame Oil Well Cap for 225453..... |
| 225444 | 23253 | Bobbin Winder Stop Latch for 259431 and 259462..... |
| 225453 | 23253 | Bobbin Winder Frame with 202277 and 225438, for 259431 and 259462..... |
| 225454 | 23253 | Bobbin Winder Frame Hinge Pin for 259431 and 259462..... |
| 225455 | 23253 | Bobbin Winder Frame Spring for 259431 and 259462..... |
| 225456 | 23253 | Bobbin Winder Frame Spring Plunger for 259431 and 259462..... |
| 225458 | 23253 | Bobbin Winder Stop Latch Thumb Lever for 259431 and 259462..... |
| 225459 | 23253 | Bobbin Winder Stop Latch Thumb Lever Hinge Stud for 259431 and 259462.... |
| 225459 | 23253 | Bobbin Winder Stop Latch Thumb Lever Joint Stud for 259431 and 259462.... |
| 225461 | 23253 | Bobbin Winder Tension Bracket with 201499B, for 225462..... |
| 225462 | 23253 | Bobbin Winder Tension Bracket complete for 259431 and 259462, Nos. 13710, 201572B, 225461 and two 2102..... |
| 228026 | 23253 | Bobbin Winder Tension Bracket Screw Washer for 259431 and 259462..... |
| 259428 | 23253 | Bobbin Winder Brake (leather) for 259431 and 259462..... |

NUMERICAL LIST OF PARTS

| No. | Plate | Name |
|--------|-------|---|
| 259429 | 23253 | Bobbin Winder Brake Clamp for 259431 and 259462..... |
| 259430 | 23253 | Bobbin Winder and Tension Bracket Base for 259431 and 259462..... |
| 259431 | 23253 | Bobbin Winder (swinging automatic, right hand) complete, for power table, for round belt, Nos. 200066E, 200082D, 200113F, 200299H, 202478, 225368, 225381, 225444, 225453 to 225456, 225458, 225462, 228026, 259428 to 259430 and two each 225459 and wood screws 3/4 in. No. 12 R.H.B..... |
| 259461 | 23253 | Bobbin Winder Pulley with 200380C, for 259462..... |
| 259462 | 23253 | Bobbin Winder (swinging automatic, right hand) complete, for power table, for "v" belt, Nos. 200066E, 200082D, 200113F, 200299H, 202478, 225381, 225444, 225453 to 225456, 225458, 225462, 228026, 259428 to 259430, 259461 and two each 225459 and wood screws 3/4 in. No. 12 R.H.B..... |

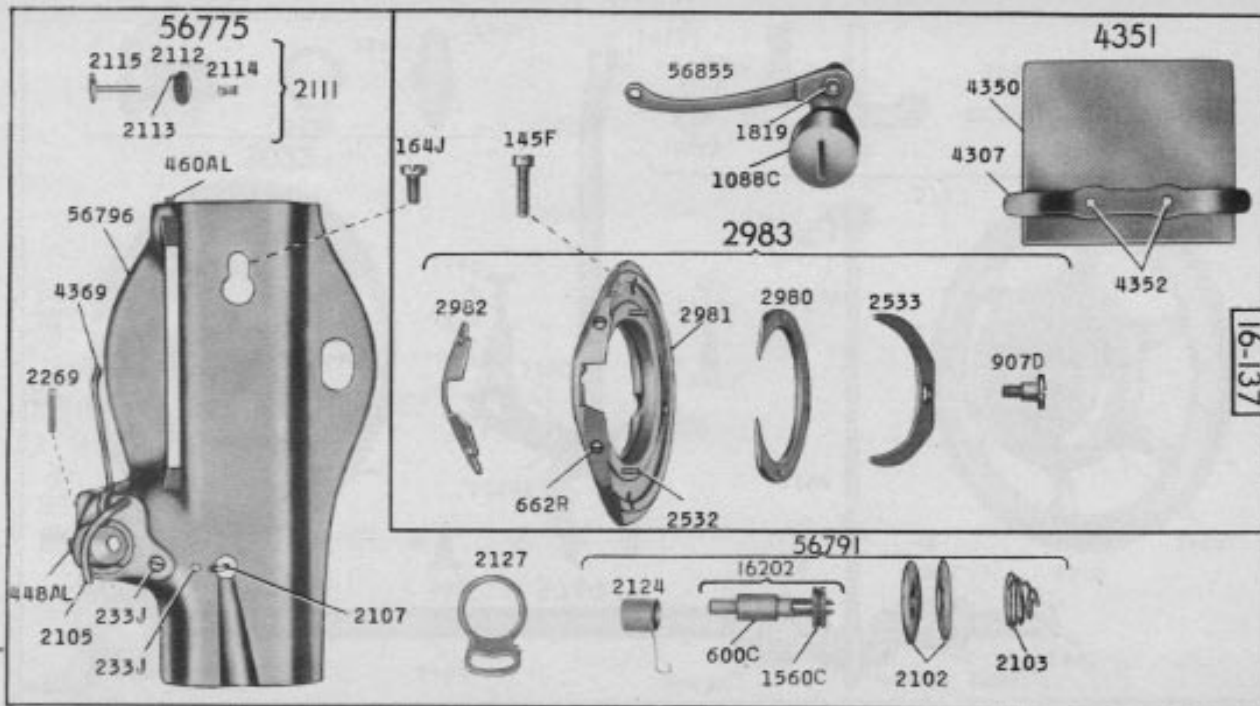
**Genuine Singer Needles should be used
in Singer Machines.
These Needles and their Containers
are marked with the
Company's Trade Mark "SIMANCO." 1**

**Needles in Containers marked
"For Singer Machines"
are not Singer made needles. 2**

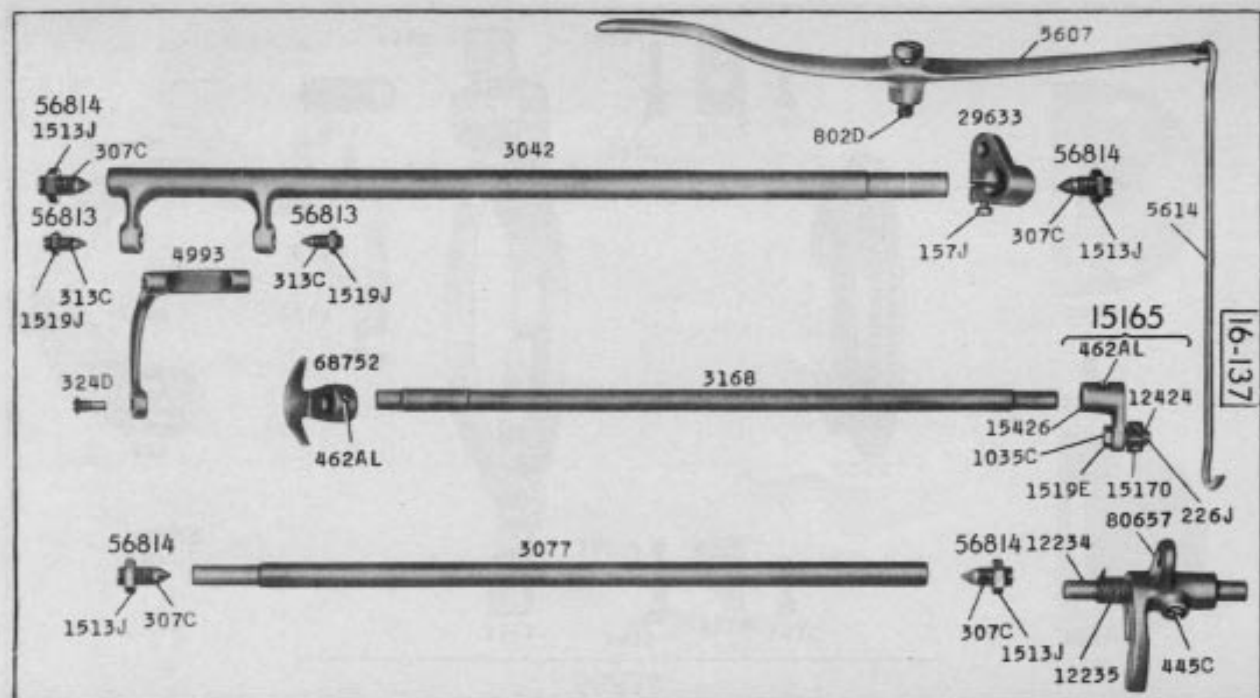


6-137

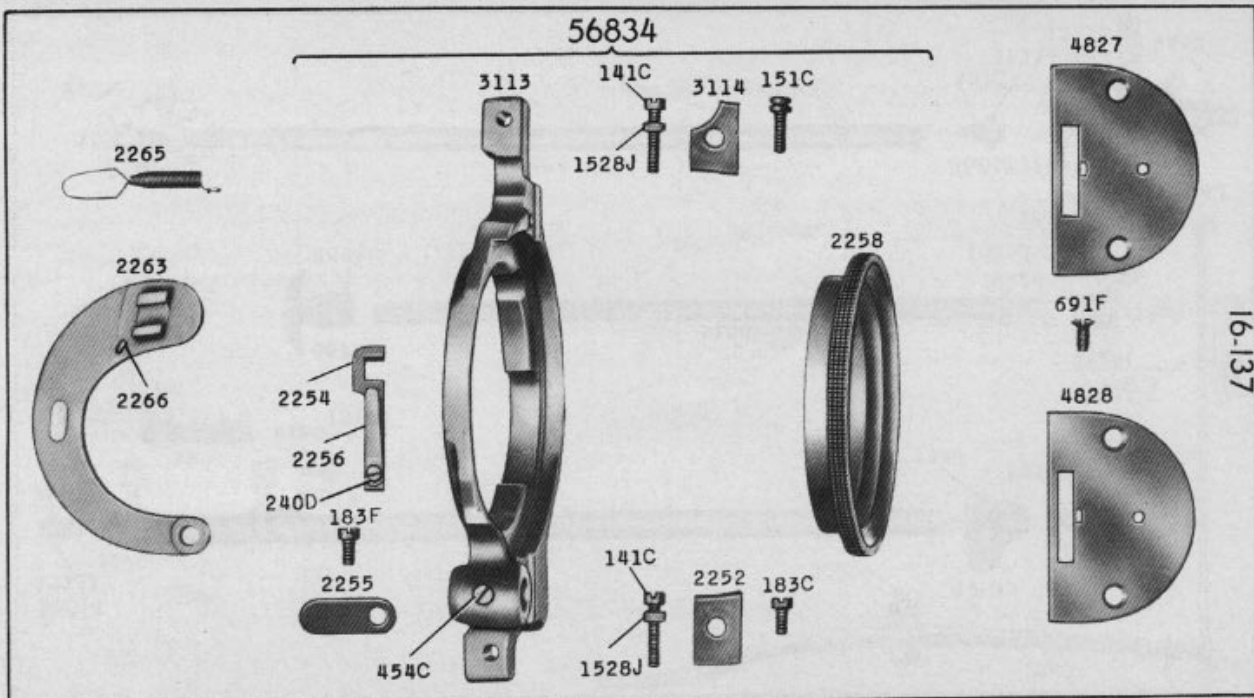
6290 - 1/3



6291 - 1/2
16-137



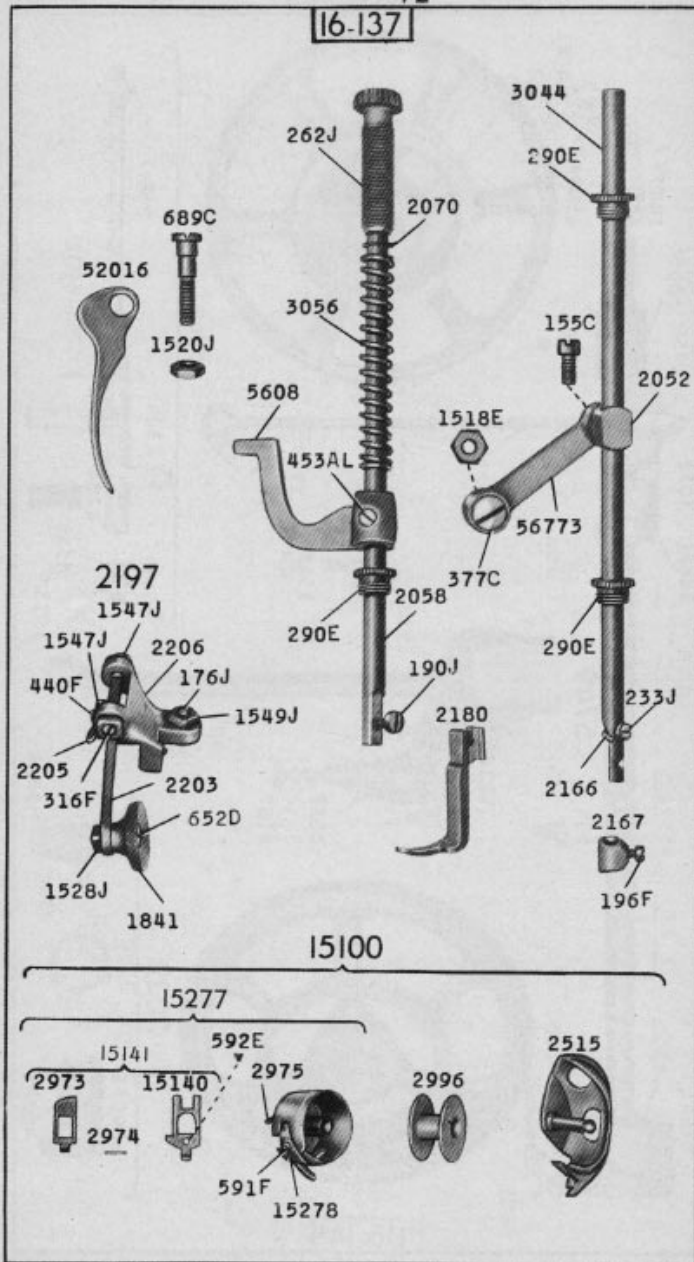
6292 - 1/3
16-137

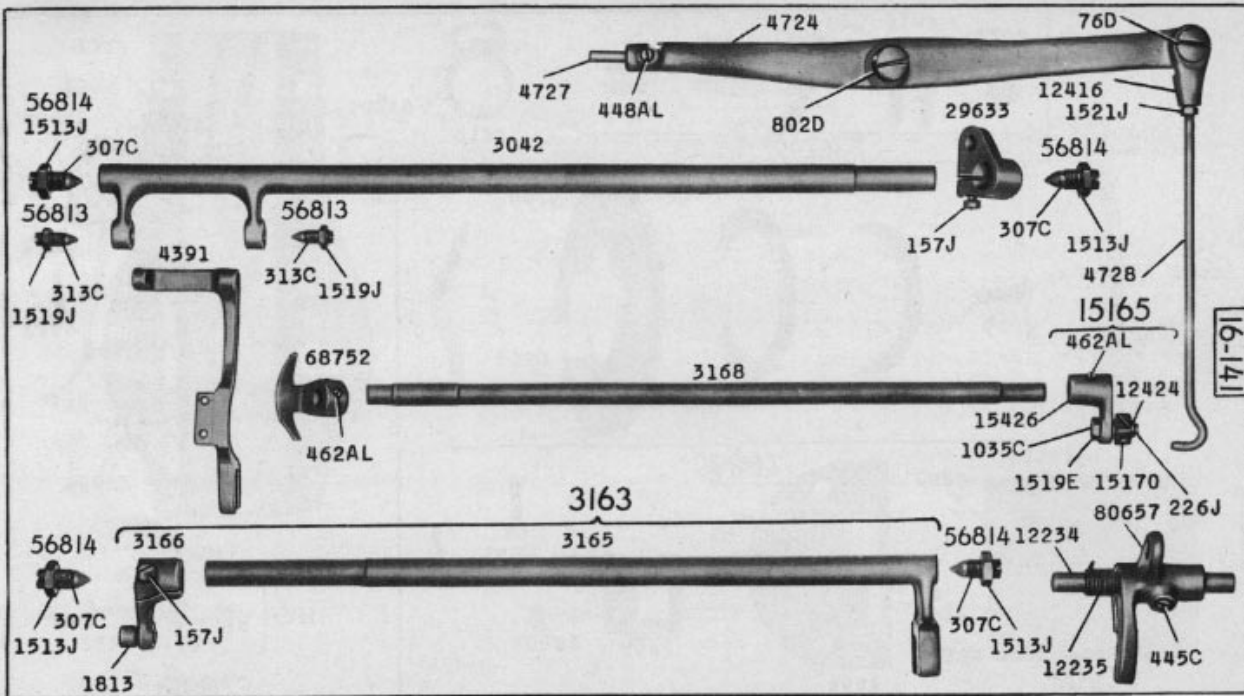


6293 - 1/2
16.137

6294 - 1/2

16-137

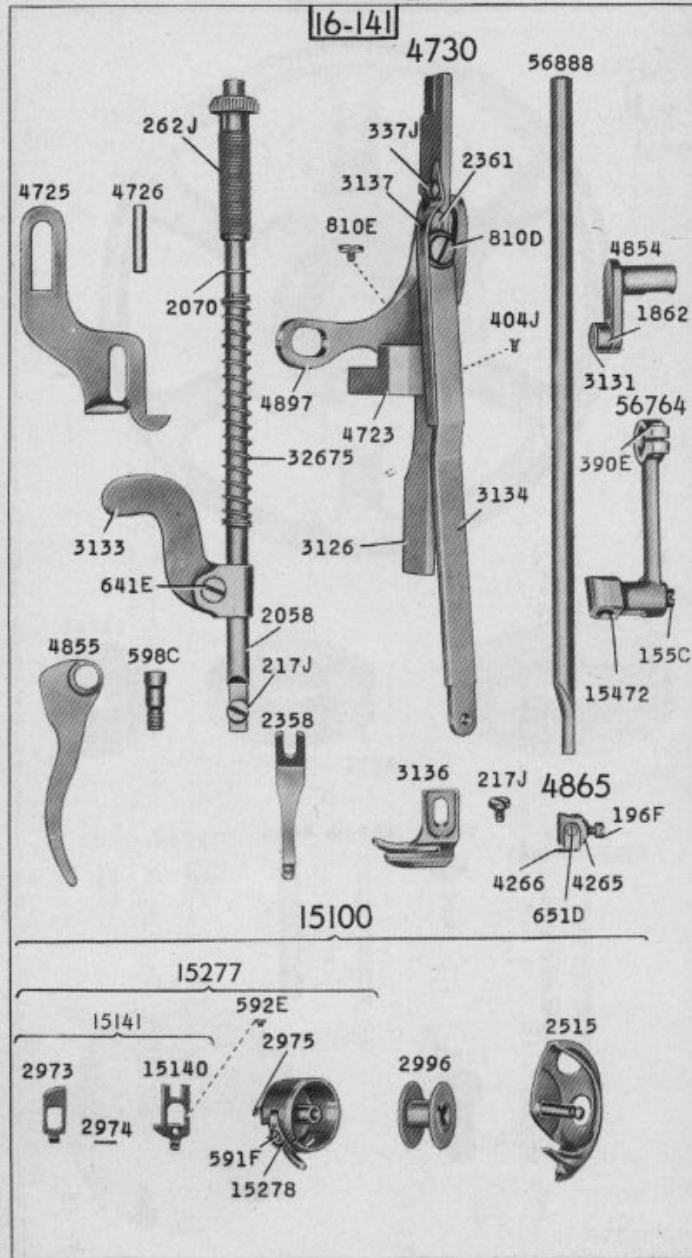




6297 - 1/3
16-141

6298 - 1/2

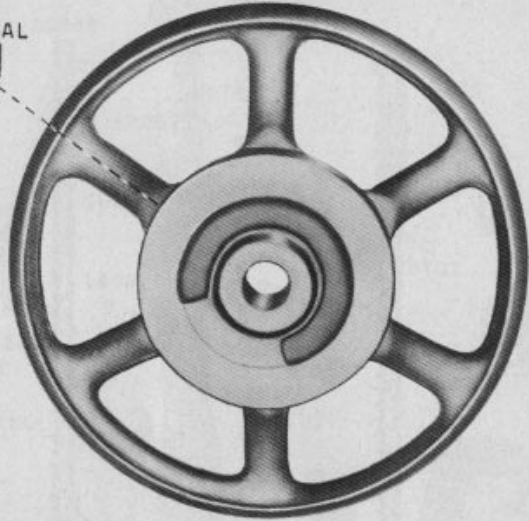
16-141



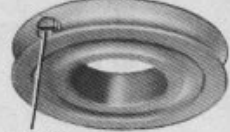
6299 - 1/2

56899

435AL



2140



437C

2139

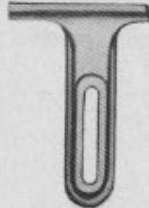


451C

11241



25875



284D



52239



4448



51224W



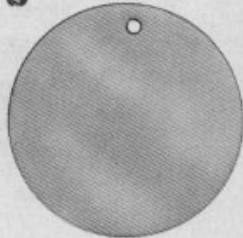
2002



123E



4288



22341 - 1/3

16-141

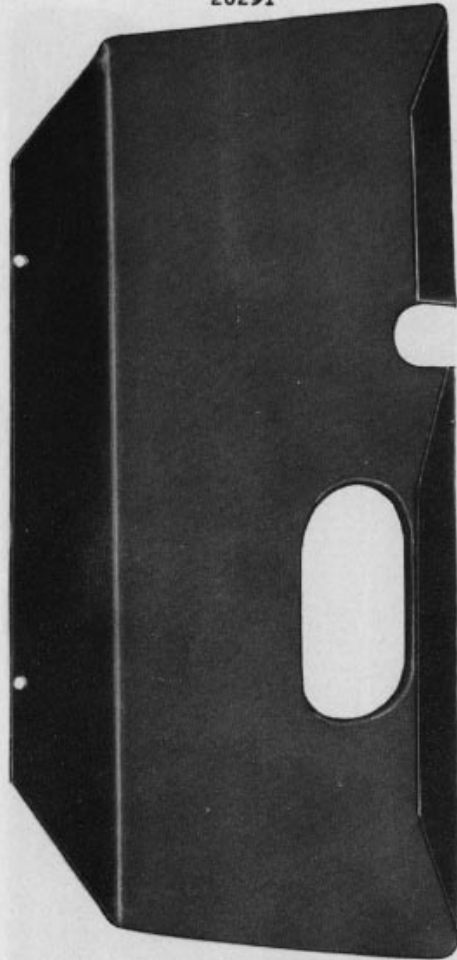
139622



22342 - 1/3

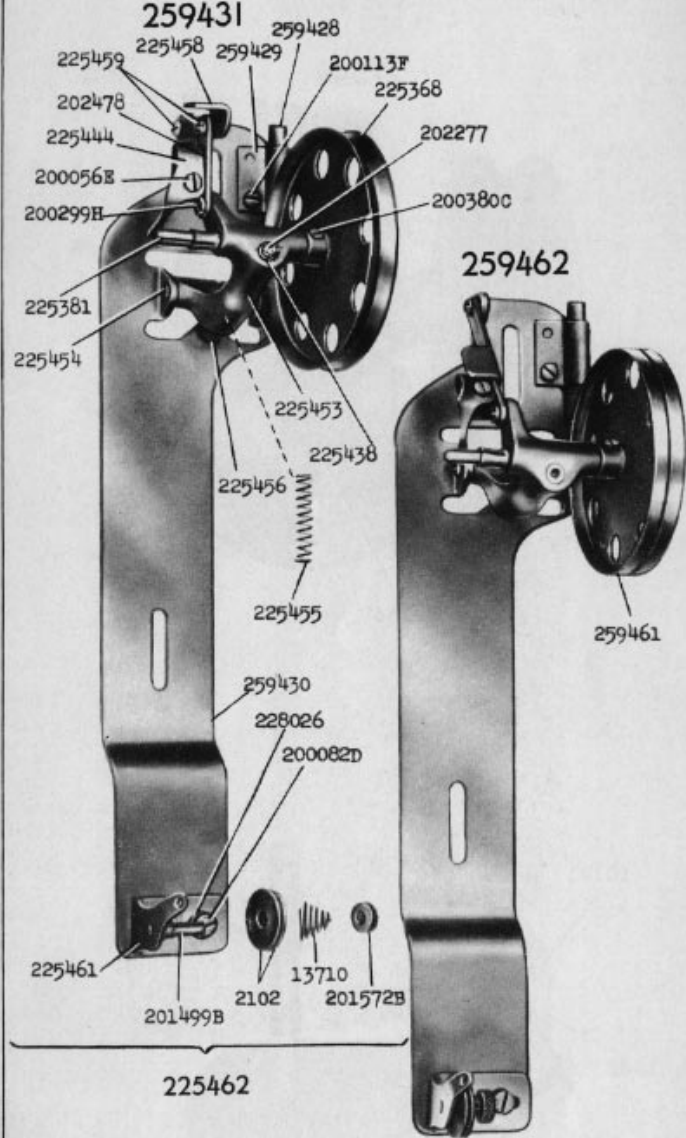
16-137

20291

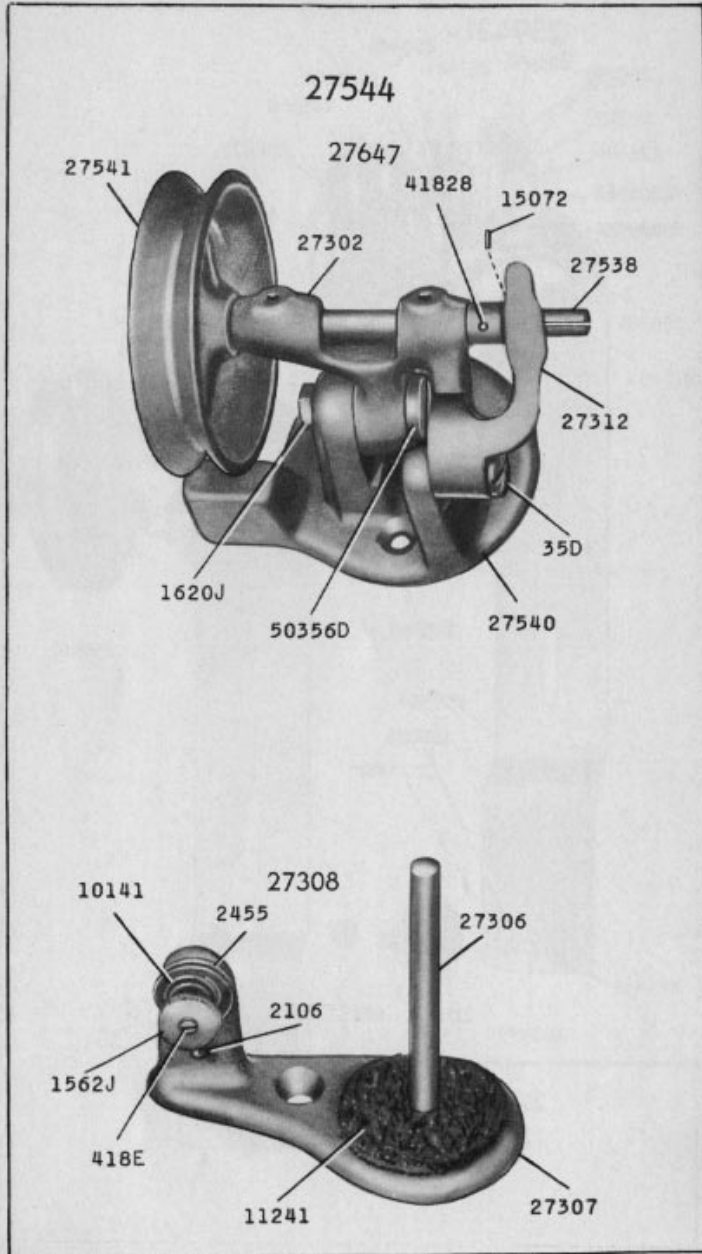


23253 - 3/8

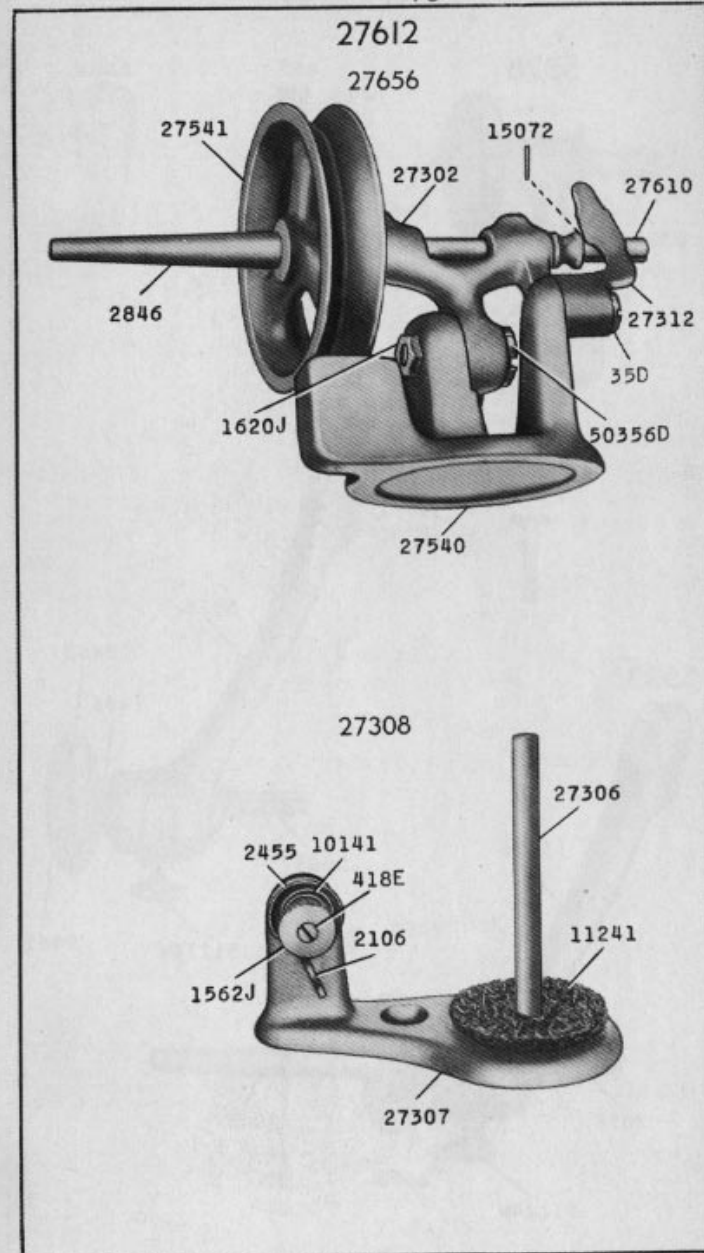
259431



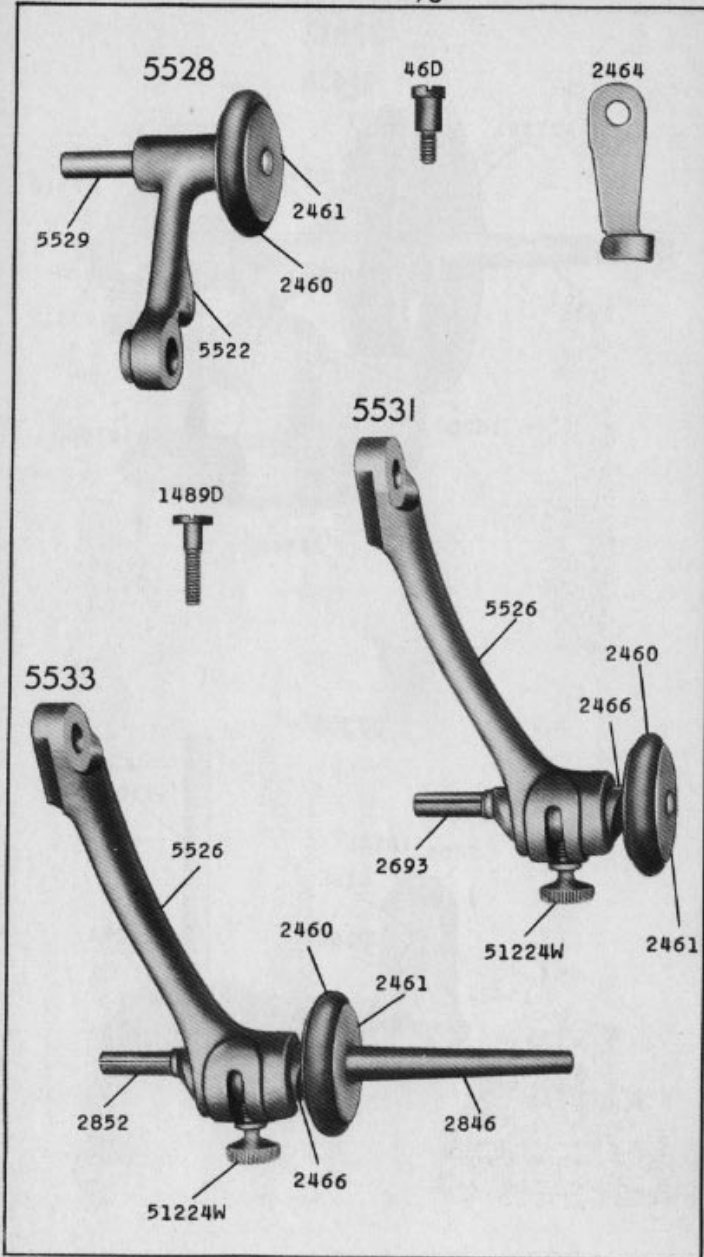
24053 - 2/3



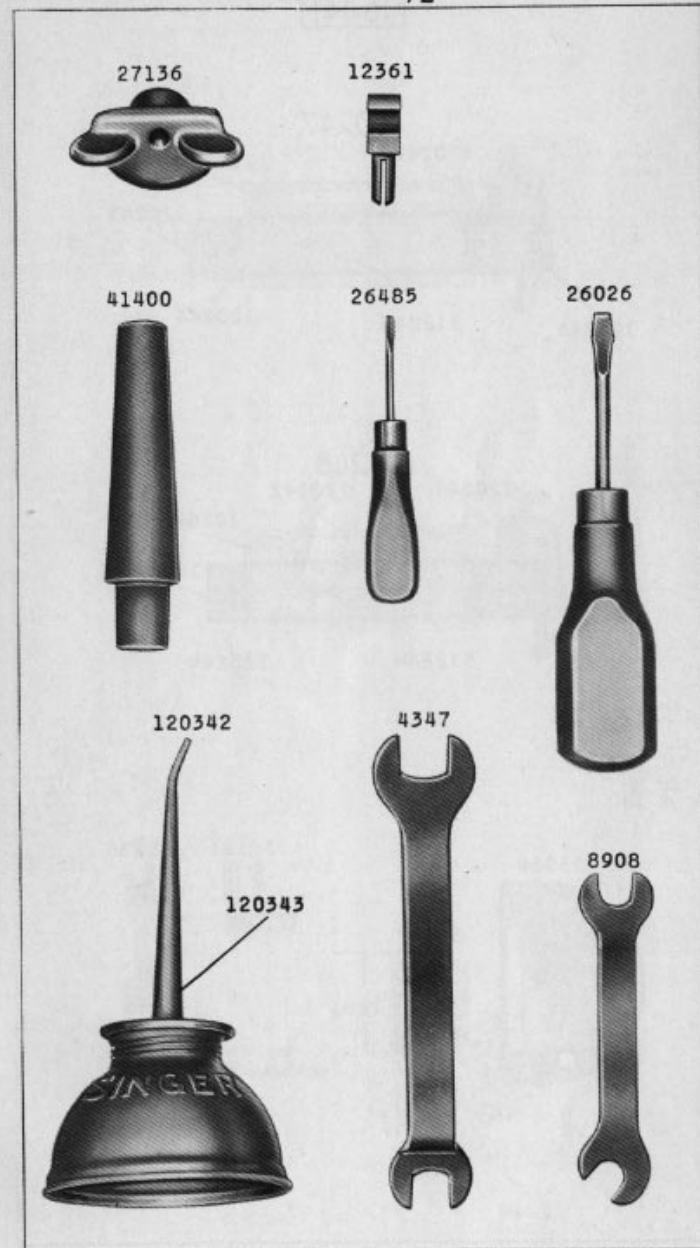
24151 - 2/3



24152 - 2/3

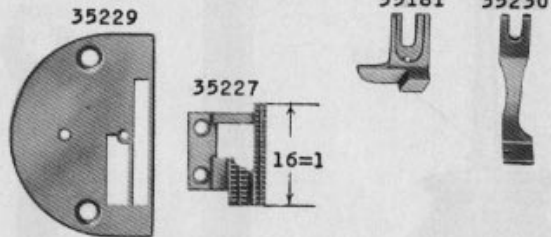
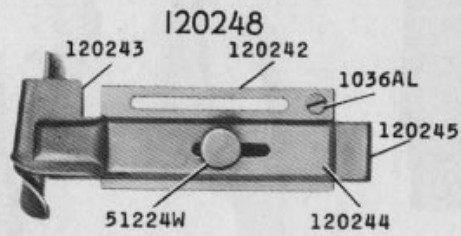
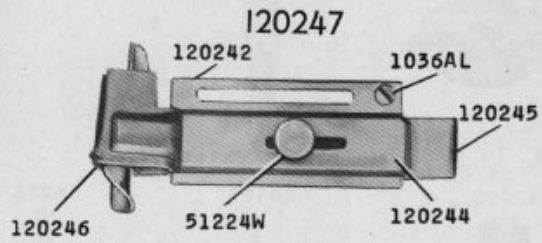


24153 - 1/2



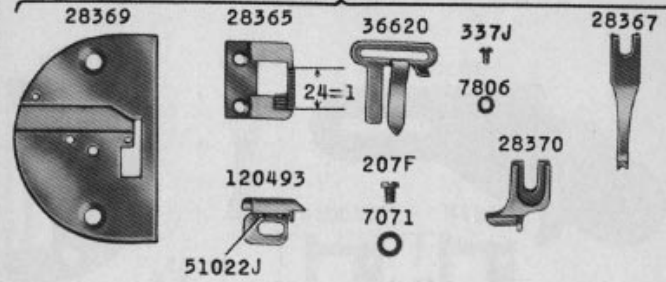
24154 - 1/2

16-141

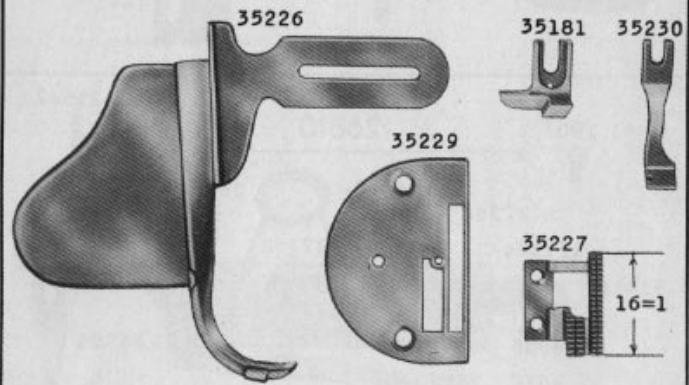
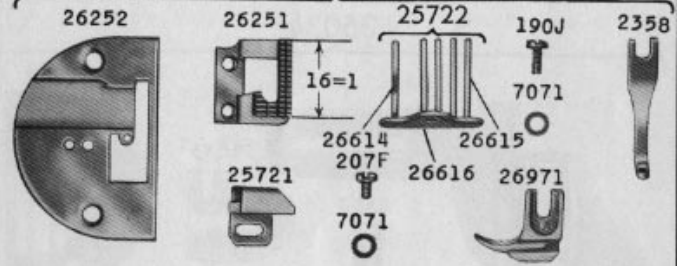


24155 - 1/2

28371



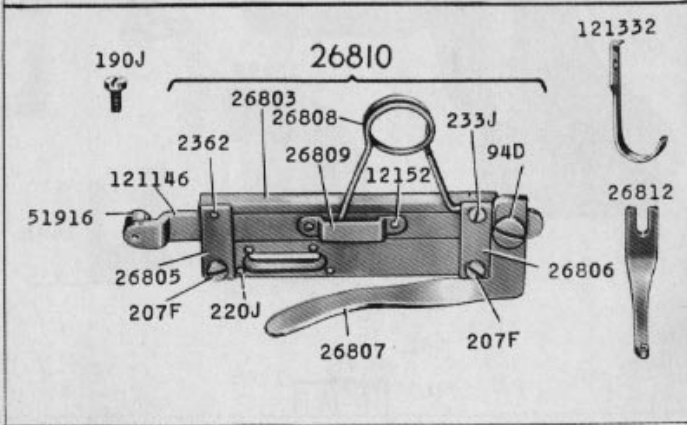
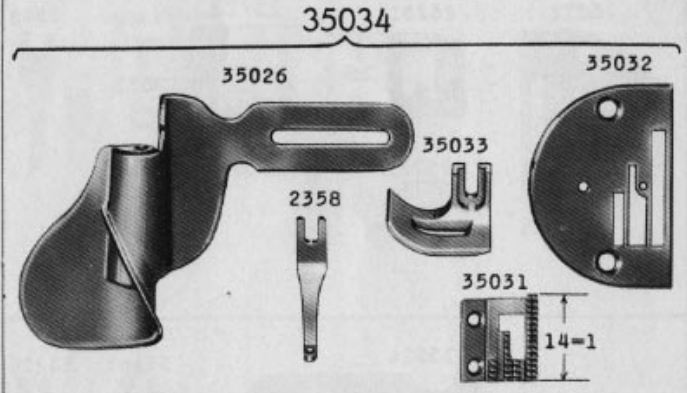
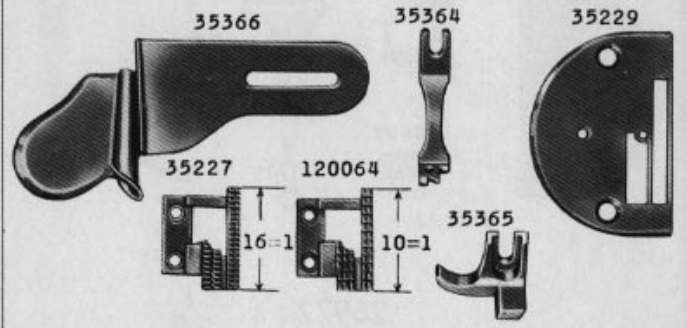
26972



16-141

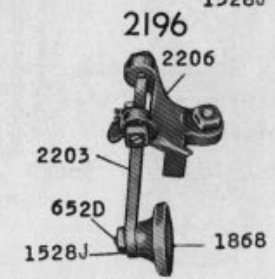
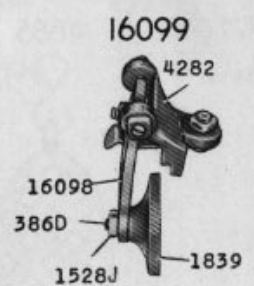
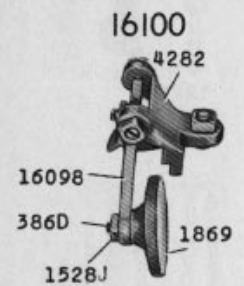
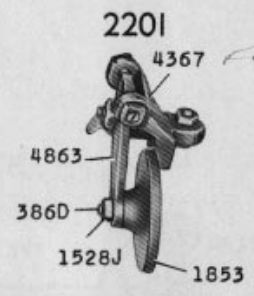
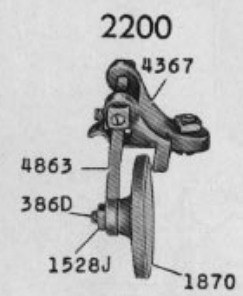
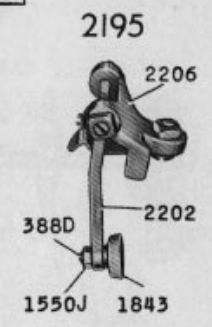
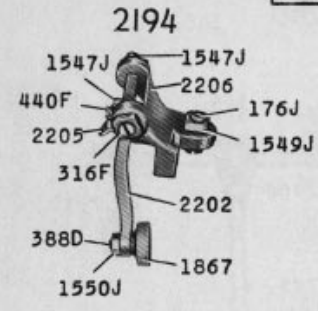
24156 - 1/2

16-141

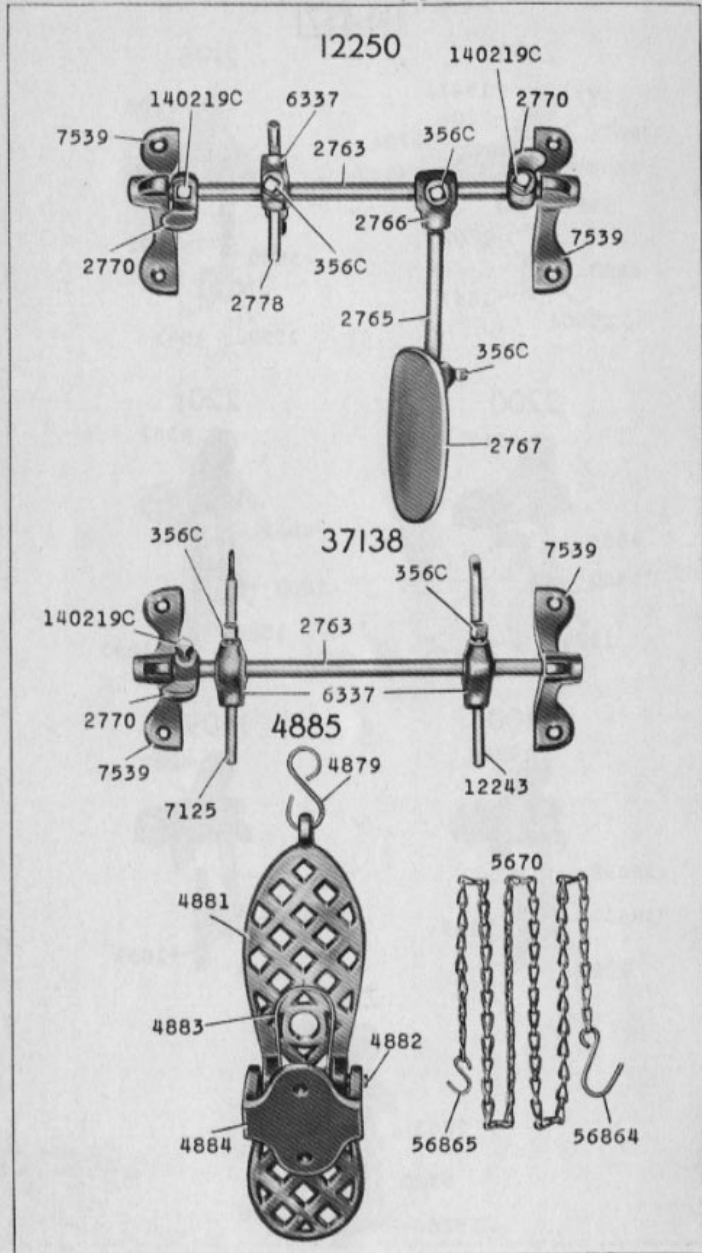


24157 - 1/2

16-137



24158 - 1/4



24159

16-137

