

Singer 7-10

MR. F. A. PARK

**Price List of Parts**  
HISTORICAL COPY  
DO NOT REMOVE

**No. 7-10**

**MACHINE**



The Singer Manufacturing Company.

**List of Parts**  
**No. 7-10**

**MACHINE.**

In ordering from this list, use **ONLY** the **PART** number, in the first column.

Each number always indicates the **SAME PART** in whatever list it appears, or for whatever machine.

The letters after some of the numbers indicate the style of finish only, as follows:

- A. Hardened, Polished and Plated.
- B. Polished and Plated.
- C. Hardened only.
- D. Polished “
- E. Soft, not Polished.

These letters **MUST BE USED** *when* they appear in the list, and **AFTER** the number, *as* in the list.

In this series

1 to 1500 are Screw Numbers.  
1501 “ 1800 “ Nut “  
1801 “ 2000 “ Roller “  
2001 and upward are numbers of Machine Parts.

The figures in the second column refer only to the plates, illustrating the parts, and are **NOT TO BE USED** in ordering.

Parts marked with an asterisk (\*) are furnished only when repairs are made at factory.



No.	Plate	Name	Each.	Old No.
858c	900	Lifting Presser Bar Bell Crank Connection Stud Set Screw.....	03	—
11867	857	Lifting Presser Bar Lifter.....	1	00 —
11531	881	" " " " Bracket... ..	1	25 305
2117	890	" " " " " Pin	01	23
11868	860	" " " " " Hinge "	10	—
910c	900	" " " " " " "	—	—
		Set Screw.....	03	—
11409	827	Lifting Presser Bar Spring.....	15	50
11869	860	" " " " " Adjusting Block.....	1	00 —
523c	901	Lifting Presser Bar Spring Adjusting Block Set Screw.....	18	—
11538	855	Needle Bar.....	1	00 286
11539	856	" " Connecting Link.....	80	288
566c	898	" " " " " Hinge Screw.....	15	—
1513	890	Needle Bar Connecting Link Hinge Screw Nut.....	05	—
11541	889	Needle Bar Connecting Stud.....	1	25 287
129D	901	" " " " " Clamping Screw.....	04	—
446c	899	Needle Bar Connecting Stud Set Scr.	03	—
258D	899	" " Screw Bushing.....	20	—
11898	860	" " Thread Eyelet.....	10	—
190	899	" " " " " Screw....	08	—
11542	—	" Clamp with 680D and 11885..	65	—
10106	862	" " Disc.....	03	291
11385	890	" " Gib.....	15	40
10107	862	" " Spring.....	01	292
830	901	" " " " " Screw.....	05	—
680D	862	" " Thumb " .....	10	—
11543	889	" " 11542 with 880, 10107 and two 10106.....	75	290
11887	—	Oil Cup.....	80	294
11917	—	" " Cover.....	25	—
9084	889	" " " " Hinge Pin.....	02	—
2205	862	" " " " Latch Spring.....	04	296
207	901	" " " " " Screw....	02	—
185D	899	" " Screw.....	05	—
11919	888	" " Thread Eyelet.....	05	—
8953	—	" or Wax Stripper (felt).....	03	297
5480	887	" " " " Washer (steel) for 11387.....	01	—
11918	888	Oil or Wax Stripper Washer (steel) for 11917.....	03	—
207	901	Oil or Wax Stripper Washer Screw..	02	—
11920	855	" Cup complete, Nos. 2205, 5480, 9084, 11887, 11917, 11918, 11919, two 8953 and three 207.....	1	25 —
11544	854	Oil Cup Lamp Holder.....	05	298
190	899	" " " " " Screw.....	03	—

No.	Plate	Name	Each.	Old No.
11841	827	Oscillating Rock Shaft (steel).....	1	75 —
11398	827	" " " " Hinge Pin... ..	75	256
1508	890	" " " " " " Nut	06	—
622c	899	" " " " " " Scr. Bearing.....	15	—
1508	890	Oscillating Rock Shaft Hinge Pin Screw Bearing Nut.....	06	—
11165	897	Oscillating Rock Shaft Oil Pad.....	01	—
11842	—	" " " " 11841 with 622c, 11165, 11398 and two 1508... ..	2	75 —
11850	825	Oscillating Shaft.....	1	25 —
11393	887	" " " " Collar with two 453c	10	354
453c	899	" " " " Set Screw....	02	—
11848	—	" " " " Crank.....	30	—
11849	830	" " " " 11848 with 1885	75	—
2117	890	" " " " " Pin .....	01	23
1885	900	" " " " " Roller and Scr. Stud .....	40	—
190	899	Oscillating Shaft Crank Roller Cap Screw.....	03	—
5968	887	Oscillating Shaft Crank Roller Cap Screw Washer.....	02	—
453c	899	Oscillating Shaft Crank Set Screw..	02	—
11851	833	Shuttle (cylinder), 3-in. diameter, with 11910.....	6	00 —
11910	833	Shuttle Bobbin (solid and hardened).	25	—
11852	833	" " Cylinder.....	2	50 —
8961	833	" " " " Hinge Pin.....	02	63
11853	833	" " " " Latch .....	15	—
12002	833	" " " " " Pin .....	01	—
11854	833	" " " " " Spring.....	03	—
590E	901	" " " " " " Screw..	02	—
11856	830	" Driver with 453c.....	1	75 —
2117	890	" " " " Pin.....	01	28
453c	899	" " " " Set Screw.....	02	—
11855	833	" Frame.....	2	75 —
11832	830	" Race Back .....	1	00 —
11833	889	" " " " Dowel Pin.....	01	—
11834	830	" " " " " Spring.....	25	—
82D	901	" " " " " " Screw....	15	—
11835	—	" " " " Body.....	2	75 —
11837	825	" " " " Frame with 11838.....	2	00 —
11838	889	" " " " " Position Pin .....	03	—
11836	825	" " " " complete, Nos. 32D, 11832, 11834, 11835 and two 11833. ..	4	00 —
135D	899	Shuttle Race Screw .....	05	—
11545	858	" " " " Slide (back). ..	50	319
180	901	" " " " " Screw.....	03	—
11418	858	" " " " " (front).....	35	318
773c	901	" Tension Regulating Screw... ..	05	—
8064	838	" " " " Spring.....	40	360

No.	Plate	Name	Each.	Old No.
11879	—	Spool Holder Bracket	25	—
11880	855	" " " 11879 with 11881	50	—
881D	899	" " " Screw	06	—
851E	857	" " Tension Spool Pin with fixed cone	15	—
8019	887	Spool Holder Tension Spool Pin Spring	02	—
8018	890	Spool Holder Tension Spool Pin Cone	05	—
1541	890	" " " " " Nut	05	—
11881	857	" " " " " complete, Nos. 851E, 1541, 8018 & 8019.	25	—
1560	890	Tension Regulating Thumb Nut	04	—
8905	862	" " " " " Washer	01	361
850D	902	Tension Screw Stud	25	—
8791	888	" Spring	10	320
11043	897	" Washer (steel)	03	—
8879	887	" " (felt)	01	—
11044	897	" Wheel	75	—
11871	—	" (wheel) complete, Nos. 850D, 1560, 8791, 8905, 11043, 11044 and two 8879.	1 25	—
11872	861	Thread Eyelet for 11866	05	—
11873	860	" Guard " "	03	—
11547	—	" Retainer Bracket	80	328
158D	901	" " " Screw	03	—
2102	888	" " Disc	05	84
1560	890	" " Regulating Thumb Nut	04	—
8905	862	Thread Retainer Regulating Thumb Nut Washer	01	361
633D	862	Thread Retainer Screw Stud	10	—
2103	888	" " Spring	03	85
2049	853	" " Thread Guide Pin	01	236
11546	859	" " complete, Nos. 633D, 1560, 2049, 2103, 8905, 11547 and two 2102.	60	327
11857	—	Thread Take-up Cam	5 00	—
8873	887	" " " Pin	05	81
434C	899	" " " Set Screw	04	—
11859	—	" " " Vibrating Cam Piece	1 00	—
159	901	Thread Take-up Cam Vibrating Cam Piece Screw	03	—
2022	887	Thread Take-up Cam Vibrating Cam Piece Steady Pin	01	—
11858	—	Thread Take-up Cam 11857 with 2022, 11859 and two 159	6 00	—
11844	—	Thread Take-up Lever	1 20	—
11845	856	" " " 11844 with 1845	1 50	321

No.	Plate	Name	Each.	Old No.
567D	898	Thread Take-up Lever Hinge Screw	15	—
1845	899	" " " Roller and Screw Stud	30	—
1518	890	Thread Take-up Lever Roller and Screw Stud Nut	04	—
11874	857	Thread Take-up Spring	15	—
164D	899	" " " Screw	04	—
8900	890	" " " " Washer	06	90
11875	857	" " " " Regulator	60	—
164D	899	" " " " " Screw	04	—
8800	890	Thread Take-up Spring Regulator Screw Washer	06	90
11876	861	Thread Take-up Spring Thread Guard	10	—
190	899	Thread Take-up Spring Thread Guard Screw	03	—
11432	—	Throat Plate Body for 11433	75	—
11434	862	" " Needle Plate (round needle hole)	20	331
11435	862	Throat Plate Needle Plate (oblong needle hole)	25	332
219D	901	Throat Plate Needle Plate Screw	02	—
11433	874	" " 11432 with 219D and 11434 or 11435 for 11893	1 00	329
11555	—	Throat Plate Body for 11556	80	—
11557	856	" " Feed Way Strip (round needle hole)	40	333
202	900	Throat Plate Feed Way Strip Screw	02	—
11556	856	" " 11555 with 11557 and two 202	1 25	330
881D	899	Throat Plate Screw	06	—
11558	855	Vibrating Presser Bar	1 00	334
11559	859	" " " Cap Bracket (upper)	50	335
11560	859	Vibrating Presser Bar Cap Bracket (lower)	50	336
128E	901	Vibrating Presser Bar Cap Bracket Screw (inside)	04	—
612E	905	Vibrating Presser Bar Cap Bracket Screw (outside)	06	—
11561	859	Vibrating Presser Bar Guide Bracket	2 00	339
2049	853	" " " " " Pin	01	236
681D	862	Vibrating Presser Bar Hinge Screw	08	—
11563	862	" " " Spring Stud	40	337
190	899	" " " " " Screw	03	—
11564	862	Vibrating Presser Bar Spring Stud	02	338
11565	859	Vibrating Presser Bar Stop complete, Nos. 682D, 8146, 11566 and 11567	40	341

No.	Plate	Name	Each.	Old No.
11566	862	Vibrating Presser Bar Stop Block...	25	342
8146	861	" " " " "		
		Washer (front).....	01	348
11567	862	Vibrating Presser Bar Stop Block		
		Washer (inside).....	01	344
682D	862	Vibrating Presser Bar Stop Thumb		
		Screw.....	10	—
11568	859	Vibrating Presser Foot (narrow)....	1 00	345
11569	859	" " " (wide).....	1 00	846
11570	859	" " " for bag		
		handles.....	1 00	347
11571	859	Vibrating Presser Foot for blinds....	1 00	348
11572	859	" " " " traces		
		(narrow).....	1 00	349
11573	859	Vibrating Presser Foot for traces		
		(wide).....	1 00	350
164D	899	Vibrating Presser Foot Screw.....	04	—

### ACCESSORIES.

No.	Plate.	Name.	Each.	Old No.
25957	895	Oiler with 4½-in. spout.....	12	5701 & 11
25958	—	" Spout, 4½-in.....	04	571 "
26026	895	Screw Driver.....	10	398 "
11831	895	" " 5-in. blade.....	20	—
8909	894	Wrench for 1518 and 1518.....	15	852
8910	894	" " 611 " 1508.....	25	—

### PARTS COMPLETE FOR BINDER (ADJUSTABLE).

No.	Plate.	Name.	Each.	Old No.
11577	—	Binder Bed.....	1	25 —
11578	857	" " Spring Guide.....	15	—
11579	861	" " " Cam.....	50	—
11882	861	" " " " Stud..	10	—
7071	861	" " " " " "		
		Washer.....	01	—
207	901	Binder Bed Spring Guide Screw ..	02	—
8146	861	" " " " " "		
		Washer.....	01	—
11576	857	Binder complete, Nos. 207, 8146, 7071, 11577 to 11579 and 11882.....	2	00 —

### PARTS COMPLETE FOR GUIDE (ADJUSTABLE).

No.	Plate.	Name.	Each.	Old No.
11581	857	Guide Block.....	1	00 —
11582	857	" Bracket ..	50	—
771D	902	" " Thumb Screw.....	10	—
11583	857	" Plate.....	1	75 —
283D	902	" " Screw.....	10	—
8800	890	" " " Washer.....	06	90
760D	857	" Regulator Screw.....	60	—
2269	880	" " " Dowel Pin... 01	153	—
175D	901	" " " Stop Screw.. 02	—	—
1576	861	" " " Thumb Nut.. 80	—	—
11580	—	" complete, Nos. 175D, 760D, 771D, 1576, 2269, 11581 to 11583....	4	50 —

### TABLE BOBBIN WINDER.

No.	Plate.	Name.	Each.	Old No.
11767	—	Belt.....	05	—
11768	—	" 11767 with 25028.....	05	370
25028	889	" Hook.....	01	371
11769	893	Frame.....	40	363
11770	859	Pulley.....	15	365
11760	892	" Driving Wheel.....	50	366
8380	893	" " " Handle.....	03	—
11762	893	" " " " Stud.... 10	—	—
8382	887	" " " " " "		
		Washer.....	01	—
11761	859	Pulley Driving Wheel Handle com- plete, Nos. 8380, 8382 and 11762...	10	369
11763	859	Pulley Driving Wheel Stud.....	10	367
2269	889	" " " " Pin.....	01	153
11764	862	" " " " Washer.. 01	368	—
11771	858	Spindle ..	50	364
11766	855	Bobbin Winder complete, Nos. 528E, 2269, 11760, 11761, 11763, 11764 and 11768 to 11771.....	2	00 362
528E	859	Bobbin Winder Clamping Screw....	20	—

## OBSOLETE PARTS.

No.	Plate.	Name.	Each.	Old No.
*11628	—	Arm .....	18 50	—
11514	855	" Shaft .....	7 00	277
*11515	854	" Side Plate .....	—	276
11520	854	Face Plate.....	2 00	284
11369	856	Feed Dog.....	75	282
11529	—	Lifting Presser Bar Lifter .....	1 25	—
11580	856	" " " " 11529 with 11532 and 11533.....	1 30	302
11533	862	Lifting Presser Bar Lifter Friction Spring.....	03	306
11593	862	Lifting Presser Bar Lifter Friction Spring Stud.....	03	355
11634	862	Lifting Presser Bar Lifter Screw Washer.....	20	308
11535	862	Lifting Presser Bar Lifter Screw Washer Steady Pin.....	01	304
11537	889	Lifting Presser Bar Spring Adjust- ing Block with 435c.....	75	301
495c	900	Lifting Presser Bar Spring Adjusting Block Set Screw .....	04	—
93	900	Needle Clamp Spring Screw, use 880	04	—
11388	854	Oil Cup complete .....	1 25	298
8951	862	" " Thread Eyelet.....	03	295
11396	831	Oscillating Rock Shaft with two each 11400 and 11401.....	1 50	—
11397	—	Oscillating Rock Shaft 11396 with 622c, 11398 and two 1508.....	2 50	254
11792	831	Oscillating Rock Shaft with two each 11401 and 11793.....	1 50	46
11391	855	Oscillating Shaft.....	1 25	299
11395	837	" " Crank with 1861.....	95	44A
11827	834	Shuttle complete.....	6 00	312
11415	—	" Race complete.....	5 50	314
11414	859	" Driver with 453c.....	1 25	317
11416	832	" Race Frame.....	4 75	315
11417	858	" " Ring.....	75	316
11828	834	" Tension Spring.....	40	313
11548	862	Thread Eyelet for 11520.....	03	285
11574	862	" Guard for 11538.....	05	289
11549	—	" Take-up Cam.....	5 00	—
11550	854	" " " 11549 with 11551, two each 159, 434c and 2117	6 00	322
11551	859	Thread Take-up Cam Vibrating Cam Piece.....	1 00	323
11552	859	Thread Take-up Spring .....	08	324
11553	859	" " " Regulator Plate.....	10	325
11554	862	Thread Take-up Staple .....	03	326
11575	856	Wrench for No. 611.....	25	353

## Numerical List of Parts.

No.	Plate.	Name	Each.	Old No.
8d	898	Lifting Presser Bar Bell Crank Ad- justing Link Hinge Screw.....	20	—
32d	901	Shuttle Race Back Spring Screw....	15	—
65d	899	Arm Side Cover Screw.....	15	—
98	900	Needle Clamp Spring Scr. (obsolete).	04	—
128z	901	Vibrating Presser Bar Cap Bracket Screw (inside).....	04	—
129d	901	Needle Bar Connecting Stud Clamp- ing Screw.....	04	—
135d	899	Oil Cup Screw.....	05	—
135d	899	Shuttle Race Screw .....	05	—
135z	899	Bed Foot Bracket Screw.....	05	—
145z	899	Crank Connecting Rod Cap Screw..	04	—
158d	901	Thread Retainer Bracket Screw....	03	—
159	901	" Take-up Vibrating Cam Piece Screw.....	03	—
161d	901	Face Plate Screw.....	04	—
164d	899	Lifting Presser Bar Bell Crank Con- necting Stud Screw.....	04	—
164d	899	Thread Take-up Spring Screw.....	04	—
164d	899	" " " Regulator Screw.....	04	—
164d	899	Vibrating Presser Foot Screw.....	04	—
166d	899	Feed Dog Screw .....	07	—
175d	901	Guide Regulator Screw Stop Screw..	02	—
180	901	Shuttle Race Slide (back) Screw....	03	—
190	899	Needle Bar Thread Eyelet Screw....	03	—
190	899	Oil Cup Lamp Holder Screw.....	03	—
190	899	Oscillating Shaft Crank Roller Cap Screw.....	03	—
190	899	Vibrating Presser Bar Spring Stud Screw.....	03	—
190	899	Thread Take-up Spring Thread Guard Screw .....	03	—
202	900	Throat Plate Feed Way Strip Screw	02	—
207	901	Oil Cup Cover Latch Spring Screw..	02	—
207	901	" or Wax Stripper Washer Screw..	02	—
207	901	Binder Bed Spring Guide Screw....	02	—
219d	901	Throat Plate Needle Plate Screw....	02	—
254d	902	Guide Thumb Screw.....	40	—
254d	902	Feed Regulator Thumb Screw.....	40	—
258d	899	Needle Bar Screw Bushing.....	20	—
283d	902	Guide Plate Screw.....	10	—
307o	898	Feed Bar Screw Centre.....	06	—
347o	900	Balance Wheel Set Screw.....	08	—
372o	898	Lifting Presser Bar Bell Crank Ad- justing Link Roller Screw.....	12	—

No. Plate	Name	Each.	Old No.
381D 899	Spool Holder Bracket Screw.....	06	—
381D 899	Throat Plate Screw.....	06	—
434C 899	Thread Take-up Cam Set Screw.....	04	—
435C 900	Lifting Presser Bar Spring Adjusting Block Set Scr. for 11537 (obsolete).	04	—
437C 899	Arm Shaft Bushing Set Screw.....	04	—
445C 900	Feed Cam Set Screw.....	03	—
446C 899	Needle Bar Connecting Stud Set Scr.	03	—
453C 899	Feed Lifting Rock Shaft Crank Set Screw.....	02	—
453C 899	Feed Rock Shaft Crank Set Screw...	02	—
453C 899	Oscillating Shaft Collar Set Screw...	02	—
453C 899	" " Crank Set Screw...	02	—
453C 899	Shuttle Driver Set Screw.....	02	—
523C 901	Lifting Presser Bar Spring Adjusting Block Set Screw.....	18	—
523E 859	Bobbin Winder Clamping Screw....	20	—
564C 898	Feed Lifting Rock Shaft Scr. Centre	12	—
564C 898	" Rock Shaft Screw Centre.....	12	—
565C 898	Crank Connecting Rod Hinge Screw.	15	—
565C 898	Feed Connecting Link Hinge Screw.	15	—
565C 898	" Forked Connection Hinge Scr.	15	—
566C 898	Needle Bar Connecting Link Hinge Screw.....	15	—
567D 898	Thread Take-up Lever Hinge Screw	15	—
568E 898	Feed Regulator Hinge Screw.....	15	—
590E 901	Shuttle Cylinder Latch Spring Screw	02	—
611D 905	Lifting Presser Bar Bell Crank Ad- justing Link Adjusting Screw.....	12	—
612E 905	Vibrating Presser Bar Cap Bracket Screw (outside).....	06	—
622C 899	Oscillating Rock Shaft Hinge Pin Screw Bearing.....	15	—
633D 862	Thread Retainer Screw Stud..	10	—
670E 862	Bed Front Bearing Clamping Screw.	06	—
680D 862	Needle Clamp Thumb Screw.....	10	—
681D 862	Vibrating Presser Bar Hinge Screw.	08	—
682D 862	" " " Stop Thumb Screw.....	10	—
760D 857	Guide Regulator Screw.....	60	—
771D 902	" Bracket Thumb Screw.....	10	—
773C 901	Shuttle Tension Regulating Screw...	05	—
830 901	Needle Clamp Spring Screw.....	05	—
850D 902	Tension Screw Stud.....	25	—
851E 857	Spool Holder Tension Spool Pin with fixed cone.....	15	—
858C 900	Lifting Presser Bar Bell Crank Con- necting Stud Set Screw.....	03	—
872E 900	Arm Screw.....	10	—
910C 900	Lifting Presser Bar Lifter Hinge Pin Set Screw.....	08	—

No. Plate	Name	Each.	Old No.
1508 890	Feed Lifting Rock Shaft Screw Cen- tre Nut.....	06	—
1508 890	Feed Rock Shaft Screw Centre Nut.	06	—
1508 890	Oscillating Rock Shaft Hinge Pin Nut	06	—
1508 890	" " " " Scr.	06	—
1513 890	Bearing Nut .....	06	—
1513 890	Crank Connecting Rod Hinge Screw Nut.....	05	—
1513 890	Feed Bar Screw Centre Nut.....	05	—
1513 890	" Connecting Link Hinge Screw Nut.....	05	—
1513 890	Feed Forked Connection Hinge Scr. Nut.....	05	—
1513 890	Needle Bar Connecting Link Hinge Screw Nut.....	05	—
1518 890	Lifting Presser Bar Bell Crank Ad- justing Link Roller and Screw Nut	04	—
1518 890	Thread Take-up Lever Roller and Screw Stud Nut... ..	04	—
1541 890	Spool Holder Tension Spool Pin Nut	05	—
1560 890	Thread Retainer Regulating Thumb Nut.....	04	—
1560 890	Tension Regulating Thumb Nut... ..	04	—
1576 861	Guide Regulator Screw Thumb Nut.	30	—
1828 862	Lifting Presser Bar Bell Crank Ad- justing Link Roller and Screw 372c.	25	—
1845 899	Thread Take-up Lever Roller and Screw Stud.....	80	—
1861 862	Feed Lifting Rock Shaft Crank Roller and Stud.....	35	—
1885 900	Oscillating Shaft Crank Roller and Screw Stud.....	40	—
2022 887	Thread Take-up Vibrating Cam Piece Steady Pin.....	01	—
2049 853	Thread Retainer Thread Guide Pin..	01	236
2049 853	Vibrating Presser Bar Guide Bracket Pin.....	01	236
2102 888	Thread Retainer Disc .....	05	84
2103 888	" " Spring.....	03	85
2117 890	Lifting Presser Bar Lifter Bracket Pin.....	01	23
2117 890	Oscillating Shaft Crank Pin.....	01	23
2117 890	Shuttle Driver Pin .....	01	23
2117 890	Feed Lifting Rock Shaft Crank Pin..	01	23
2117 890	" Rock Shaft Crank Pin.....	01	23
2205 862	Oil Cup Cover Latch Spring .....	04	296
2269 889	Bobbin Winder Pulley Driving Wheel Stud Pin.....	01	153
2269 889	Guide Regulator Screw Dowel Pin..	01	153



No.	Plate	Name	Each.	Old No.
2718	862	Lifting Presser Bar Bell Crank Adjusting Link Roller and Screw Nut Washer.....	01	809
3146	861	Binder Bed Spring Guide Screw Washer.....	01	343
3146	861	Vibrating Presser Bar Stop Block Washer (front).....	01	343
5480	887	Oil or Wax Stripper Washer (steel) for 11387.....	01	—
5968	887	Oscillating Shaft Crank Roller Cap Screw Washer.....	02	—
7071	861	Binder Bed Spring Guide Cam Stud Washer.....	01	—
8018	890	Spool Holder Tension Spool Pin Cone.....	05	—
8019	887	" " " " Spring.....	02	—
8880	893	Bobbin Winder Pulley Driving Wheel Handle.....	03	—
8882	887	Bobbin Winder Pulley Driving Wheel Handle Stud Washer.....	01	—
8702	887	Arm Dowel Pin.....	15	3
8791	888	Tension Spring.....	10	320
8800	890	Thread Take-up Spring Scr. Washer.....	06	90
8800	890	" " " " Regulator Screw Washer.....	06	90
8800	890	Guide Plate Screw Washer.....	06	90
8878	887	Thread Take-up Cam Pin.....	05	81
8879	887	Tension Washer (felt).....	01	—
8905	862	" Regulating Thumb Nut Washer.....	01	861
8905	862	Thread Retainer Regulating Thumb Nut Washer.....	01	861
8909	894	Wrench for 1518 and 1518.....	15	852
8910	894	" " 611 " 1508.....	25	—
8951	862	Oil Cup Thread Eyelet (obsolete).....	03	295
8953	—	" or Wax Stripper (felt).....	03	297
8961	833	Shuttle Cylinder Hinge Pin.....	02	63
8964	833	" Tension Spring.....	40	860
9084	889	Oil Cup Cover Hinge Pin.....	02	—
10106	862	Needle Clamp Disc.....	08	291
10107	862	" " Spring.....	01	292
11043	897	Tension Washer (steel).....	03	—
11044	897	" Wheel.....	75	—
11165	897	Oscillating Rock Shaft Oil Pad.....	01	—
11864	830	Arm Shaft Bushing.....	75	5
* 11359	—	Bed.....	18	50
11863	825	Crank Connecting Rod.....	1	25 208
* 11864	—	" " " Cap.....	—	—
11365	828	Feed Bar.....	1	50 25
11367	830	" Cam with two 445c.....	1	00 12
11868	830	" Connecting Link.....	35	16
11360	856	" Dog (obsolete).....	75	232

No.	Plate	Name	Each.	Old No.
11370	825	Feed Forked Connection.....	1	75 207
11371	825	" Lifting Rock Shaft.....	1	40 31
11372	—	" " " " " 11371 with 11374.....	2	35 29
11374	830	Feed Lifting Rock Shaft Crank with 453c and 1861.....	95	—
11375	830	Feed Regulator.....	60	208
11376	825	" Rock Shaft.....	1	40 21A
11377	—	" " " " 11376 with 11379..	2	00 20
11379	893	" " " Crank with 453c..	60	22
11385	890	Needle Clamp Gib.....	15	40
11387	—	Oil Cup.....	80	204
11388	854	" " complete (obsolete).....	1	25 203
11391	855	Oscillating Shaft.....	1	25 209
11393	887	" " Collar with two 453c.....	10	354
11395	837	" " Crank with 1861 (obsolete).....	95	44A
11396	831	Oscillating Rock Shaft with two each 11490 and 11401 (obsolete) ..	1	50 —
11397	—	Oscillating Rock Shaft 11396 with 622c, 11398 and two 1508 (obsolete) ..	2	50 254
11398	827	Oscillating Rock Shaft Hinge Pin... ..	75	256
11409	827	Lifting Presser Bar Spring.....	15	50
11414	859	Shuttle Driver with 453c (obsolete)..	1	25 317
11415	—	" Race complete (obsolete).....	5	50 314
11416	832	" Race Frame (obsolete).....	4	75 315
11417	858	" " Ring.....	75	316
11418	858	" " Slide (front).....	35	318
11432	—	Throat Plate Body for 11433.....	75	—
11433	874	" " 11432 with 219D and 11434 or 11435 for 11893.....	1	00 329
11434	863	Throat Plate Needle Plate (round needle hole).....	20	331
11435	863	Throat Plate Needle Plate (oblong needle hole).....	25	332
11514	855	Arm Shaft (obsolete).....	7	00 277
*11515	854	" Side Plate (obsolete).....	—	— 276
11517	854	Balance Wheel with 347c.....	2	50 278
11518	859	" " Key.....	10	279
11519	858	Bed Foot Bracket.....	10	281
11520	854	Face Plate (obsolete).....	2	00 284
11521	856	Feed Dog for Bag Handles.....	75	283
11523	855	Lifting Presser Bar.....	1	00 800
11523	856	" " " " " Bell Crank.....	1	50 307
11524	856	" " " " " Adjusting Link.....	1	50 856
11525	—	Lifting Presser Bar Bell Crank Adjusting Link 11524 with 1518, 1828 and 2718.....	1	80 308
11526	889	Lifting Presser Bar Bell Crank Connecting Stud.....	75	—

No.	Plate	Name	Each.	Old No.
11527	—	Lifting Presser Bar Bell Crank Connecting Stud 11526 with 164D, 11528 and two 858c.....	95	310
11528	862	Lifting Presser Bar Bell Crank Connecting Stud Screw Washer.....	15	311
11529	—	Lifting Presser Bar Lifter (obsolete).	1 25	—
11530	856	" " " " 11529 with 11532 and 11533 (obsolete) .....	1 30	302
11531	881	Lifting Presser Bar Lifter Bracket ..	1 25	305
11532	862	" " " " Friction Spring (obsolete).....	03	306
11533	862	Lifting Presser Bar Lifter Friction Spring Stud (obsolete).....	03	355
11534	862	Lifting Presser Bar Lifter Screw Washer (obsolete).....	20	303
11535	862	Lifting Presser Bar Lifter Screw Washer Steady Pin (obsolete)....	01	304
11537	889	Lifting Presser Bar Spring Adjusting Block with 435c (obsolete).....	75	301
11538	855	Needle Bar .....	1 00	286
11539	856	" " Connecting Link.....	80	288
11541	889	" " " Stud.....	1 25	287
11542	—	" Clamp with 680D and 11385..	65	—
11543	889	" " 11542 with 830, 10107 and two 10106.....	75	290
11544	854	Oil Cup Lamp Holder.....	05	298
11545	858	Shuttle Race Slide (back).....	50	319
11546	859	Thread Retainer complete, Nos. 633D, 1560, 2049, 2103, 8905, 11547 and two 2102.....	60	327
11547	—	Thread Retainer Bracket.....	30	328
11548	862	" Eyelet for 11520 (obsolete)...	03	285
11549	—	" Take-up Cam " .....	5 00	—
11550	854	" " " 11549 with 11551, two each 159, 434c and 2117 (obsolete).....	6 00	322
11551	859	Thread Take-up Cam Vibrating Cam Piece (obsolete).....	1 00	323
11552	859	Thread Take-up Spring (obsolete)...	08	324
11553	859	" " " Regulator Plate (obsolete).....	10	325
11554	862	Thread Take-up Staple (obsolete)...	08	326
11555	—	Throat Plate Body for 11556.....	80	—
11556	856	" " 11555 with 11557 and two 202.....	1 25	380
11557	856	Throat Plate Feed Way Strip (round needle hole).....	40	388
11558	855	Vibrating Presser Bar .....	1 00	334
11559	859	" " " Cap Bracket (upper) .....	50	385
11560	859	Vibrating Presser Bar Cap Bracket (lower) .....	50	386

No.	Plate	Name	Each.	Old No.
11561	859	Vibrating Presser Bar Guide Bracket ..	2 00	339
11563	862	" " " Spring Stud..	40	337
11564	862	" " " " " Spring.....	02	338
11565	859	Vibrating Presser Bar Stop complete, Nos. 682D, 3146, 11566 and 11567..	40	341
11566	862	Vibrating Presser Bar Stop Block...	25	342
11567	862	" " " " " Washer (inside).....	01	344
11568	859	Vibrating Presser Foot (narrow) ...	1 00	345
11569	859	" " " (wide).....	1 00	346
11570	859	" " " " for bag handles .....	1 00	347
11571	859	Vibrating Presser Foot for blinds ...	1 00	348
11572	859	" " " " traces (narrow).....	1 00	349
11573	859	Vibrating Presser Foot for traces (wide).....	1 00	350
11574	862	Thread Guard for 11538 (obsolete) ..	05	289
11575	856	Wrench for No. 611 (obsolete).....	25	353
11576	857	Binder complete, Nos. 207, 3146, 7071, 11577 to 11579 and 11882.....	2 00	—
11577	—	Binder Bed.....	1 25	—
11578	857	" " Spring Guide.....	15	—
11579	801	" " " Cam.....	50	—
11580	—	Guide complete, Nos. 175D, 760D, 771D, 1576, 2269, 11581 to 11583.....	4 50	—
11581	857	Guide Block.....	1 00	—
11582	857	" Bracket.....	50	—
11583	857	" Plate.....	1 75	—
*11628	—	Arm (obsolete).....	18 50	—
11760	892	Bobbin Winder Pulley Driving Wheel ..	50	366
11761	859	" " " " " Handle complete, Nos. 8380, 8382 and 11762.....	10	369
11762	893	Bobbin Winder Pulley Driving Wheel Handle Stud.....	10	—
11763	859	Bobbin Winder Pulley Driving Wheel Stud .....	10	367
11764	862	Bobbin Winder Pulley Driving Wheel Stud Washer.....	01	368
11766	855	Bobbin Winder complete, Nos. 528A, 2269, 11760, 11761, 11763, 11764 and 11768 to 11771 .....	2 00	362
11767	—	Bobbin Winder Belt.....	05	—
11768	—	" " " 11767 with 25028 ..	05	370
11769	892	" " Frame.....	40	363
11770	859	" " Pulley .....	15	365
11771	858	" " Spindle .....	50	364
11792	831	Oscillating Rock Shaft, with two each 11401 and 11793 (obsolete).....	1 50	46

No.	Plate	Name	Each.	Old No.
11827	834	Shuttle complete (obsolete).....	0 00	812
11828	834	" Tension Spring (obsolete)....	40	813
11831	895	Screw Driver, 5-in. blade.....	20	—
11832	890	Shuttle Race Back.....	1 00	—
11833	889	" " " Dowel Pin.....	01	—
11834	830	" " " Spring.....	25	—
11835	—	" " " Body.....	2 75	—
11836	825	" " complete, Nos. 82D, 11832, 11834, 11835 and two 11833.	4 00	—
11837	825	Shuttle Race Frame with 11838	2 00	—
11838	889	" " " Position Pin....	03	—
11841	827	Oscillating Rock Shaft (steel).....	1 75	—
11842	—	" " " 11841 with 622c, 11165, 11398 and two 1508...	2 75	—
11844	—	Thread Take-up Lever.....	1 20	—
11845	856	" " " 11844 with 1845.....	1 50	821
11848	—	Oscillating Shaft Crank.....	30	—
11849	830	" " " 11848 with 1885.....	75	—
11850	825	Oscillating Shaft.....	1 25	—
11851	833	Shuttle (cylinder) 3-in. diam., with 11910.....	6 00	—
11852	833	Shuttle Cylinder.....	2 50	—
11853	833	" " Latch.....	15	—
11854	833	" " " Spring.....	03	—
11855	833	" Frame.....	2 75	—
11856	830	" Driver with 453c.....	1 75	—
11857	—	Thread Take-up Cam.....	5 00	—
11858	—	" " " 11857 with 2022, 11859 and two 159.....	6 00	—
11859	—	Thread Take-up Cam Vibrating Cam Piece.....	1 00	—
11865	855	Face Plate.....	2 00	—
11866	—	" " complete, 11865 with 190, 910c, 11867, 11868, 11871 to 11876 and two each 164D and 8800.....	5 75	—
11867	857	Lifting Presser Bar Lifter.....	1 00	—
11868	860	" " " " Hinge Pin.	10	—
11869	860	" " " " Spring Ad- justing Block.....	1 00	—
11871	—	Tension (wheel) complete, Nos. 850D, 1560, 8791, 8905, 11043, 11044 and two 8879.....	1 25	—
11872	861	Thread Eyelet for 11866.....	05	—
11873	860	" Guard " ".....	03	—
11874	857	" Take-up Spring.....	15	—
11875	857	" " " Regulator..	60	—
11876	861	" " " Thread Guard.....	10	—
11879	—	Spool Holder Bracket..	25	—
11880	855	" " " 11879 with 11881	50	—

No.	Plate	Name	Each.	Old No.
11881	857	Spool Holder Tension Spool Pin complete, Nos. 851E, 1541, 8018 and 8019.....	25	—
11882	861	Binder Bed Spring Guide Cam Stud.	10	—
11893	—	Feed Dog for general work.....	1 00	—
11898	860	Needle Bar Thread Eyelet.....	10	—
11910	833	Shuttle Bobbin (solid and hardened)	25	—
*11911	—	Arm.....	20	00
11912	—	" Shaft.....	7	00
11913	825	" Side Cover.....	25	—
11917	—	Oil Cup Cover.....	25	—
11918	888	" or Wax Stripper Washer (steel) for 11917.....	03	—
11919	888	Oil Cup Thread Eyelet.....	05	—
11920	855	" " complete, Nos. 2205, 5480, 9084, 11387, 11917, 11918, 11919, two 8953 and three 207.....	1 25	—
12002	833	Shuttle Cylinder Latch Pin.....	01	—
25028	889	Bobbin Winder Belt Hook.....	01	371
25881	894	Guide.....	40	34
25957	895	Oiler with 4½-in. spout.....	12	570A&A
25958	—	" Spout, 4½-in.....	04	571 "
26026	895	Screw Driver.....	10	393 "

THE SINGER MANUFACTURING COMPANY use and recommend  
exclusively the WILLIMANTIC SPOOL COTTON.

PLATE 825—ONE-FOURTH SIZE

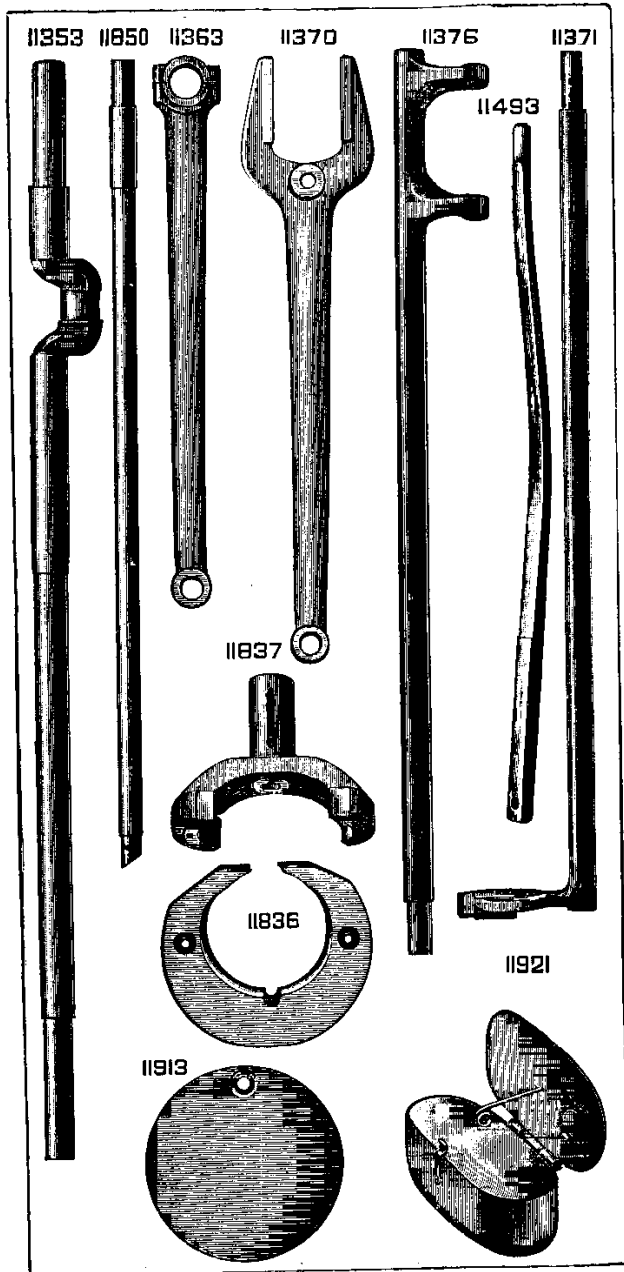


PLATE 827—ONE-HALF SIZE

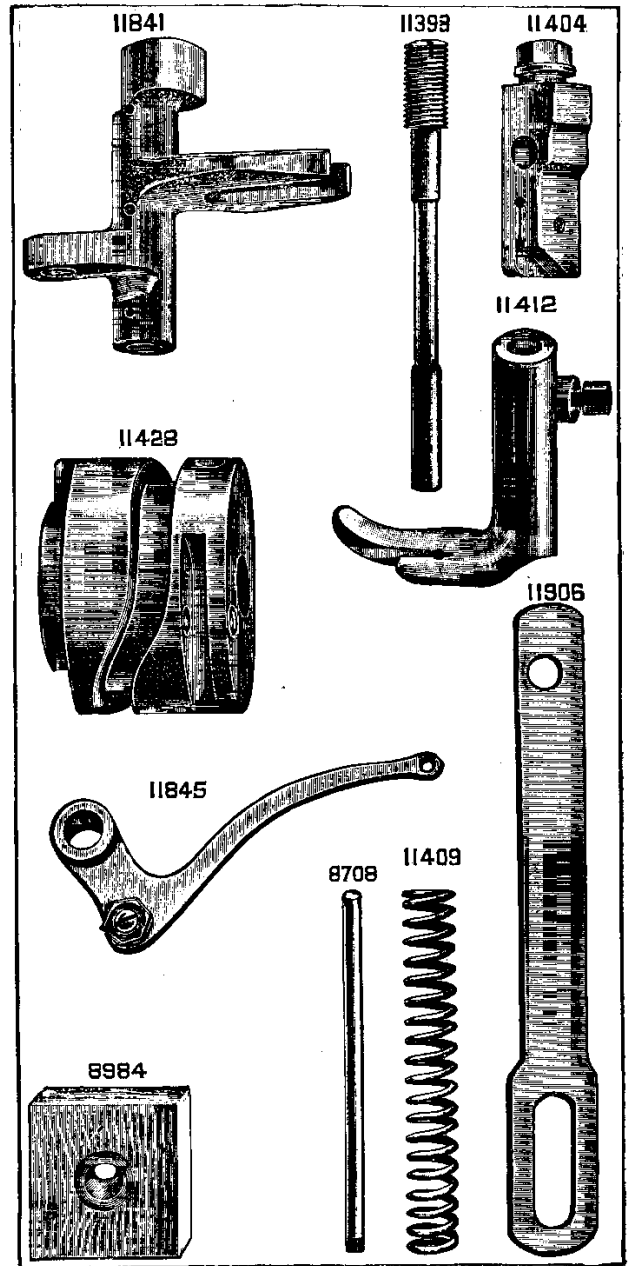


PLATE 828—ONE-HALF SIZE

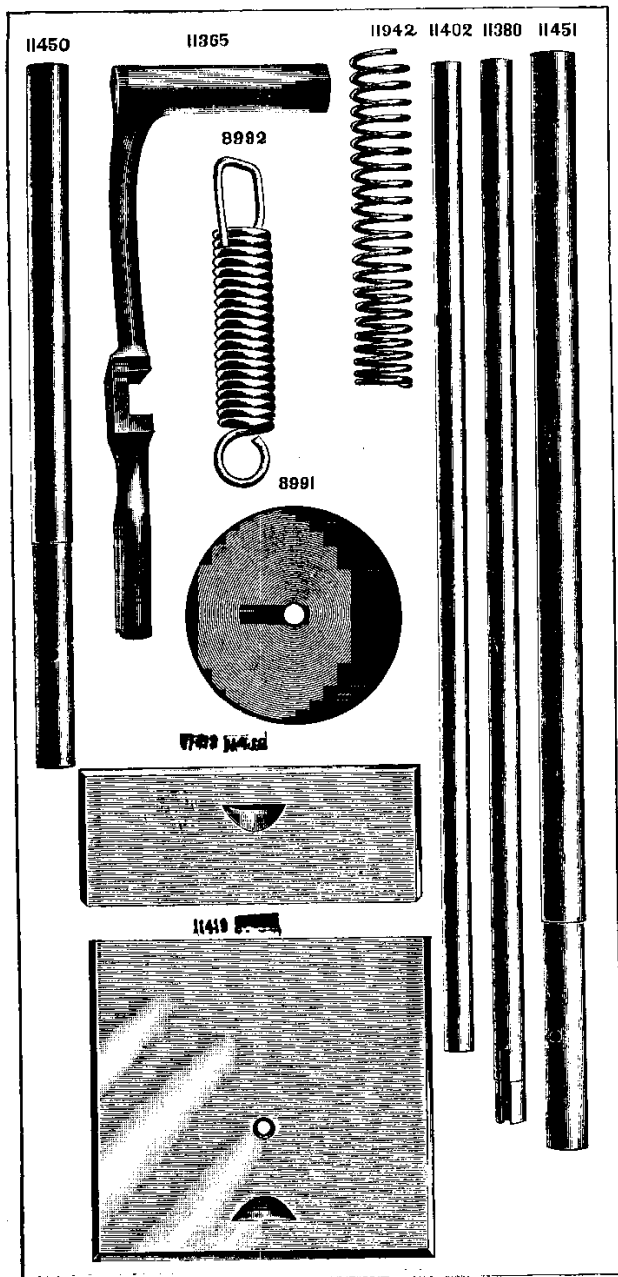


PLATE 830—ONE-HALF SIZE

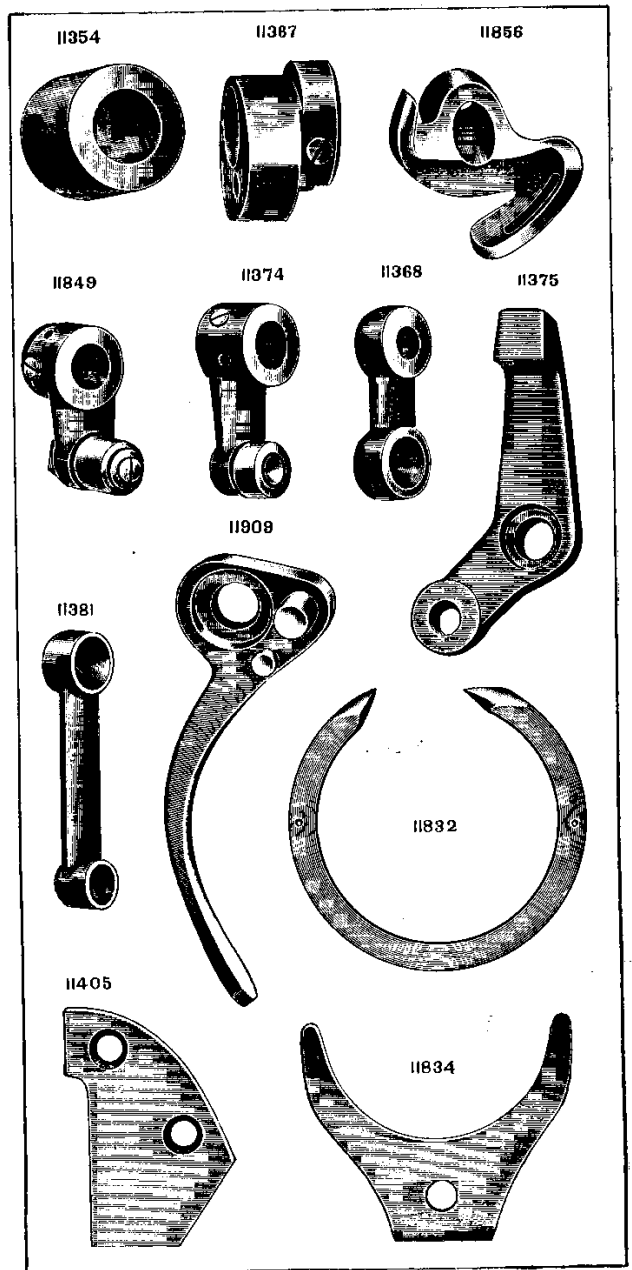


PLATE 831—ONE-HALF SIZE

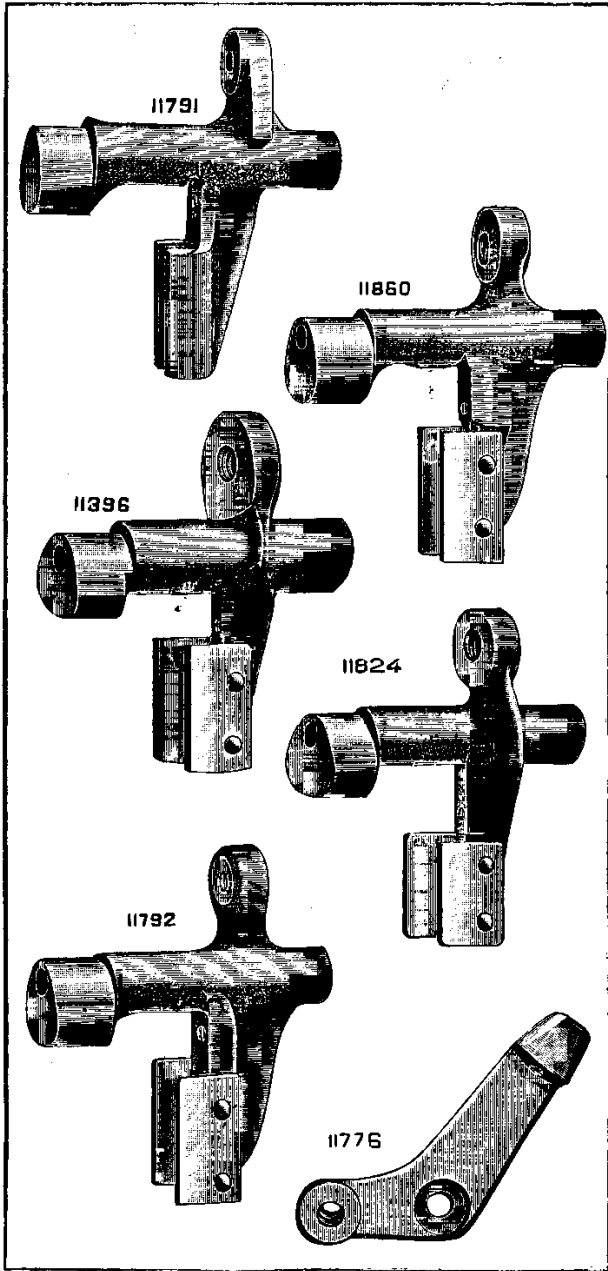


PLATE 832—ONE-HALF SIZE

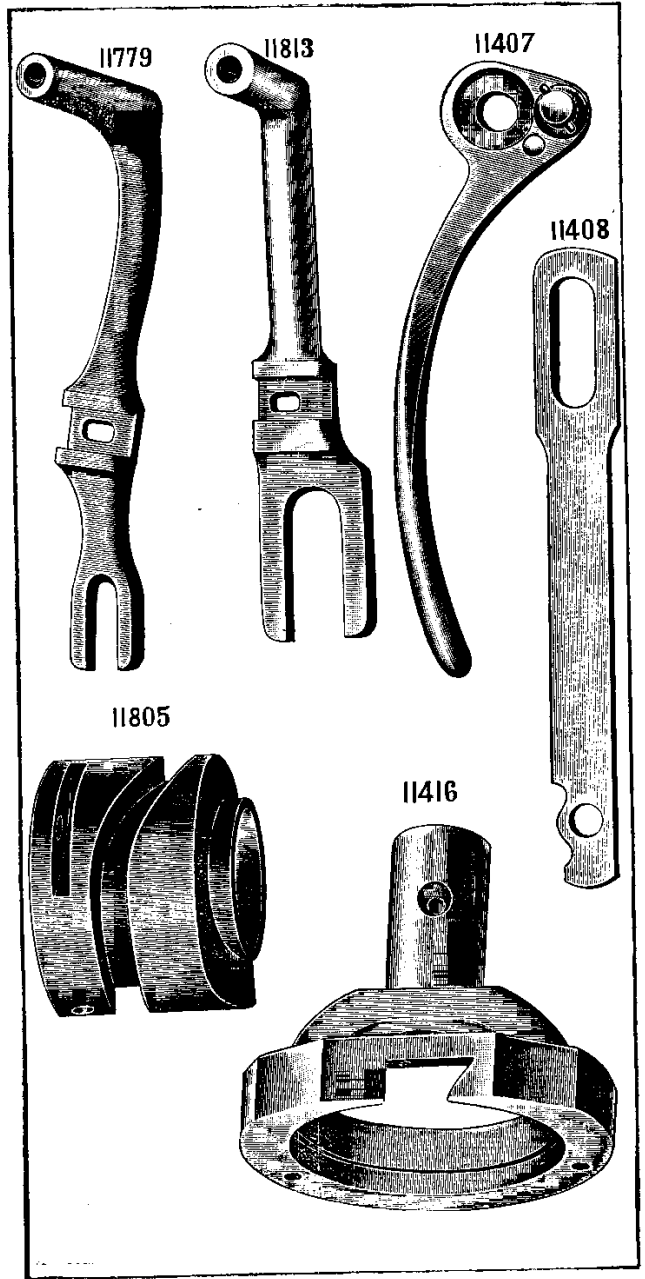


PLATE 833—FULL SIZE

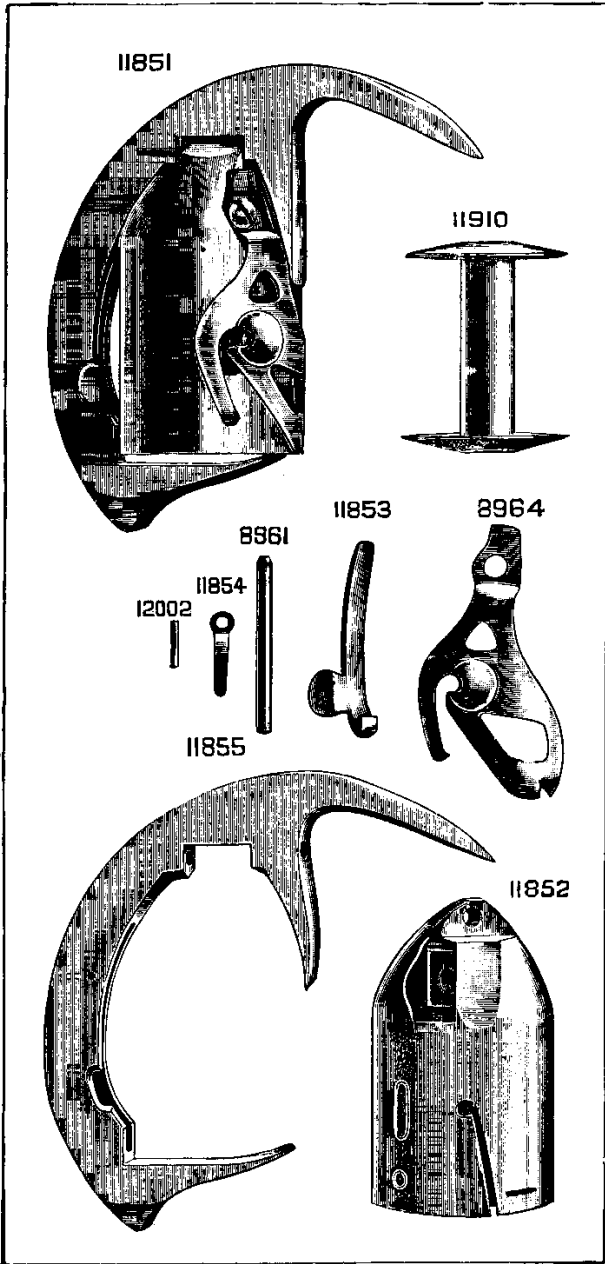


PLATE 834—FULL SIZE

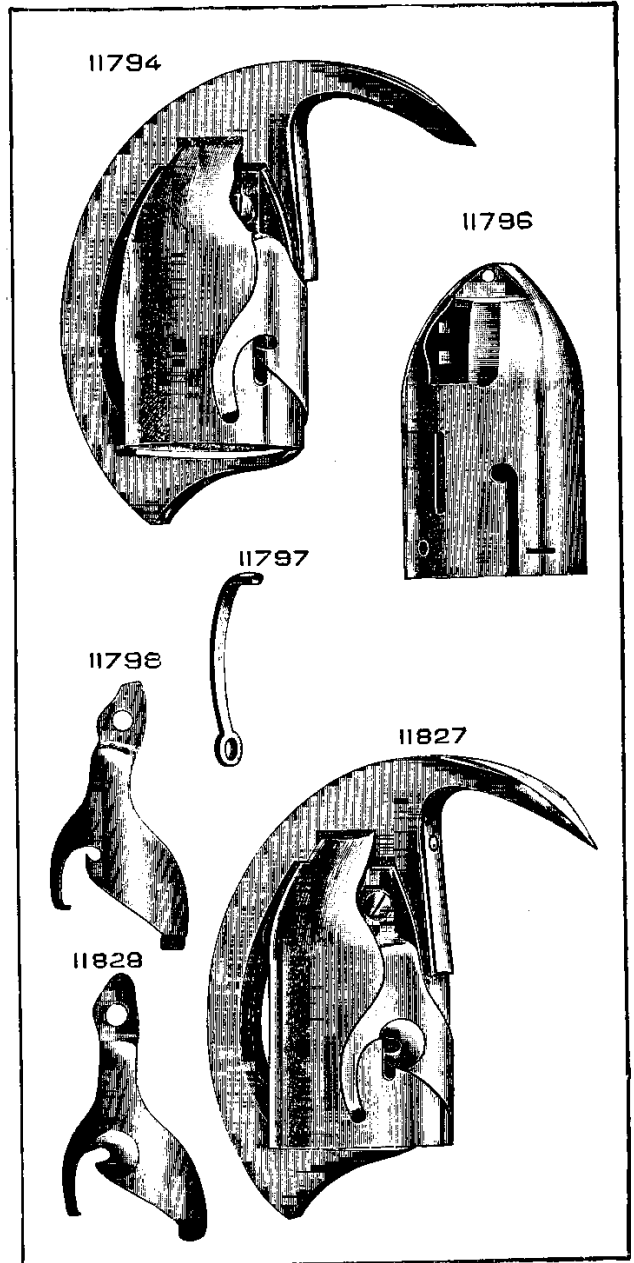


PLATE 837—FULL SIZE

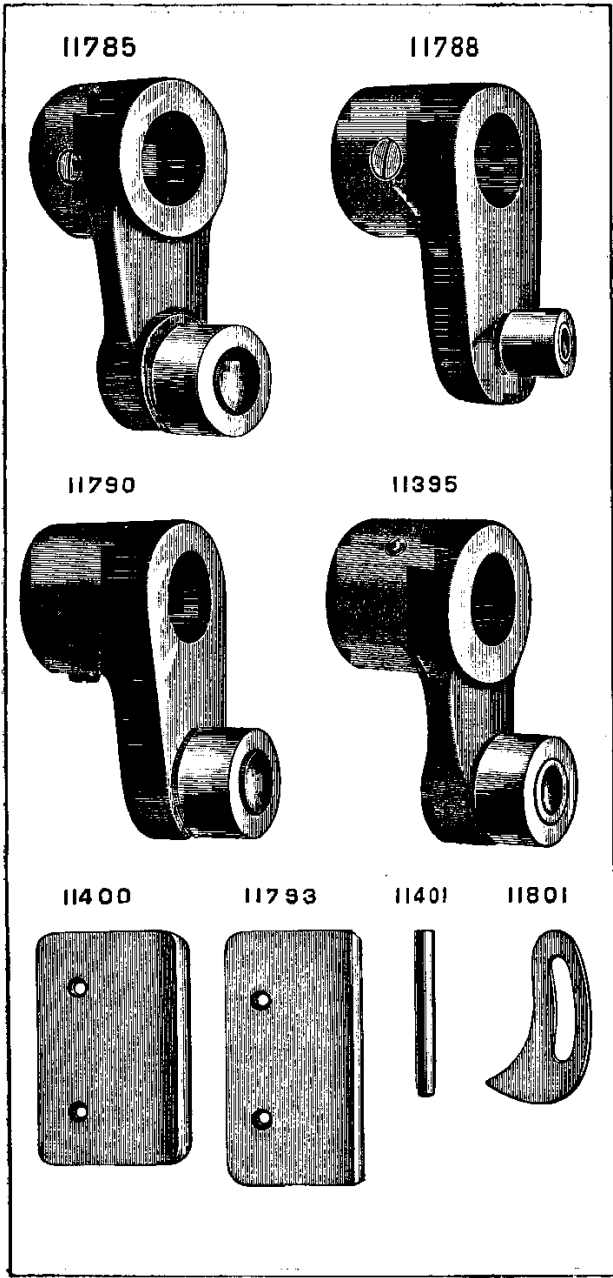


PLATE 848—ONE-HALF SIZE

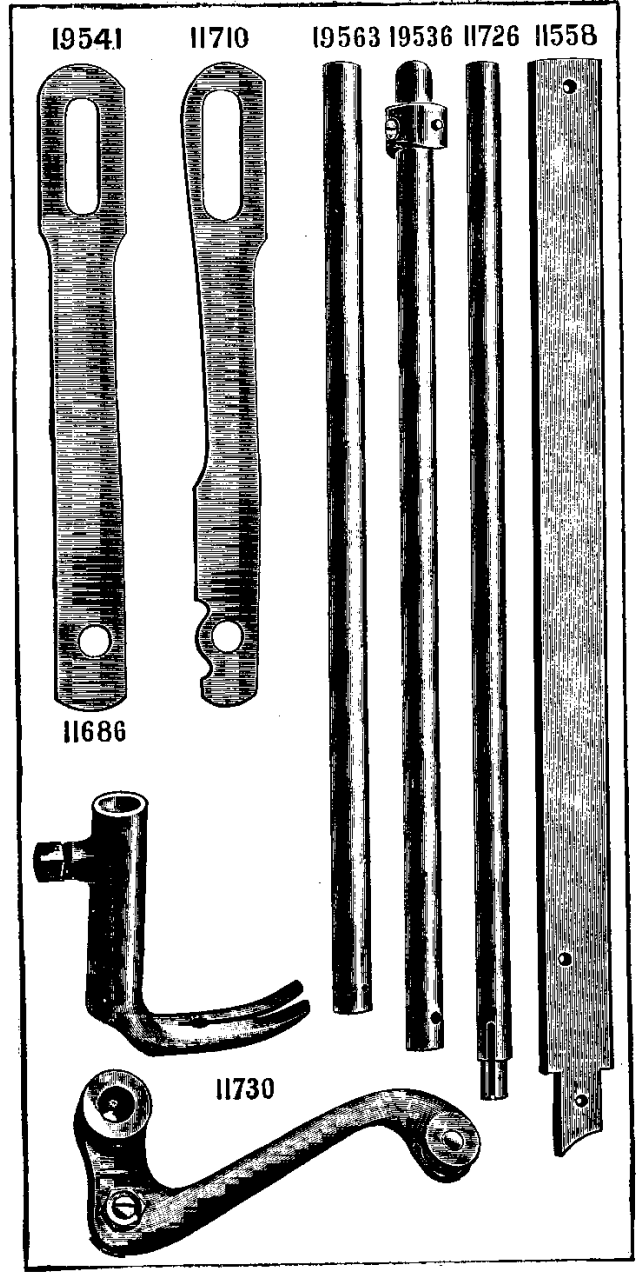




PLATE 853—FULL SIZE

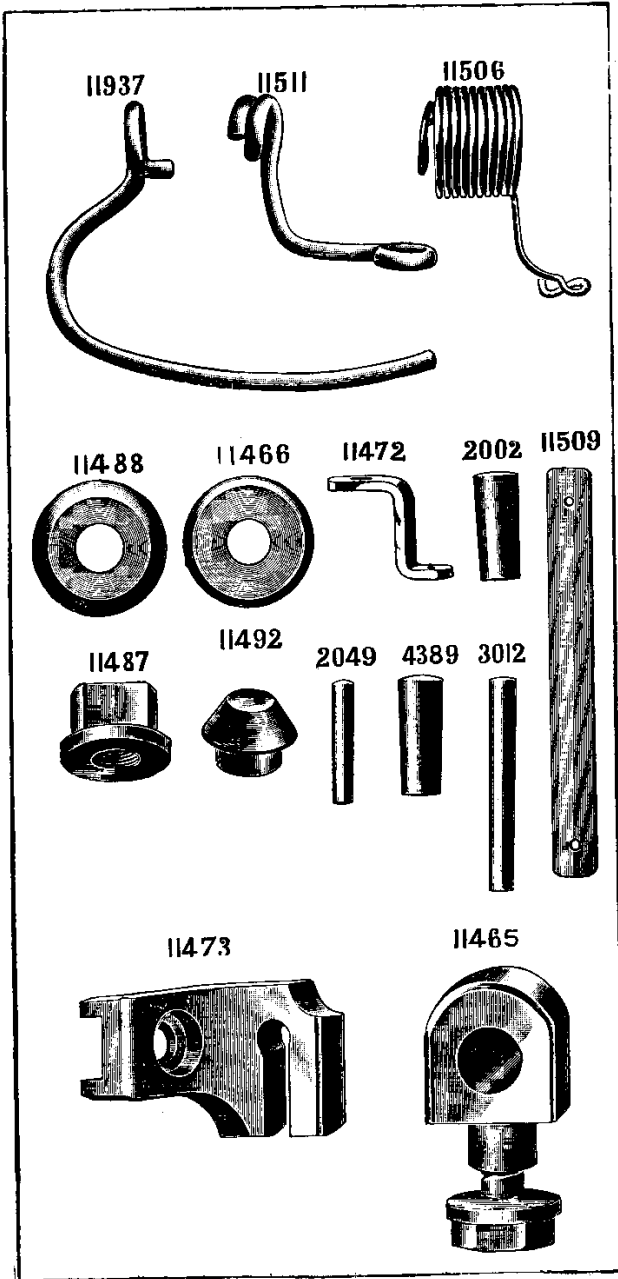


PLATE 854—ONE-FOURTH SIZE

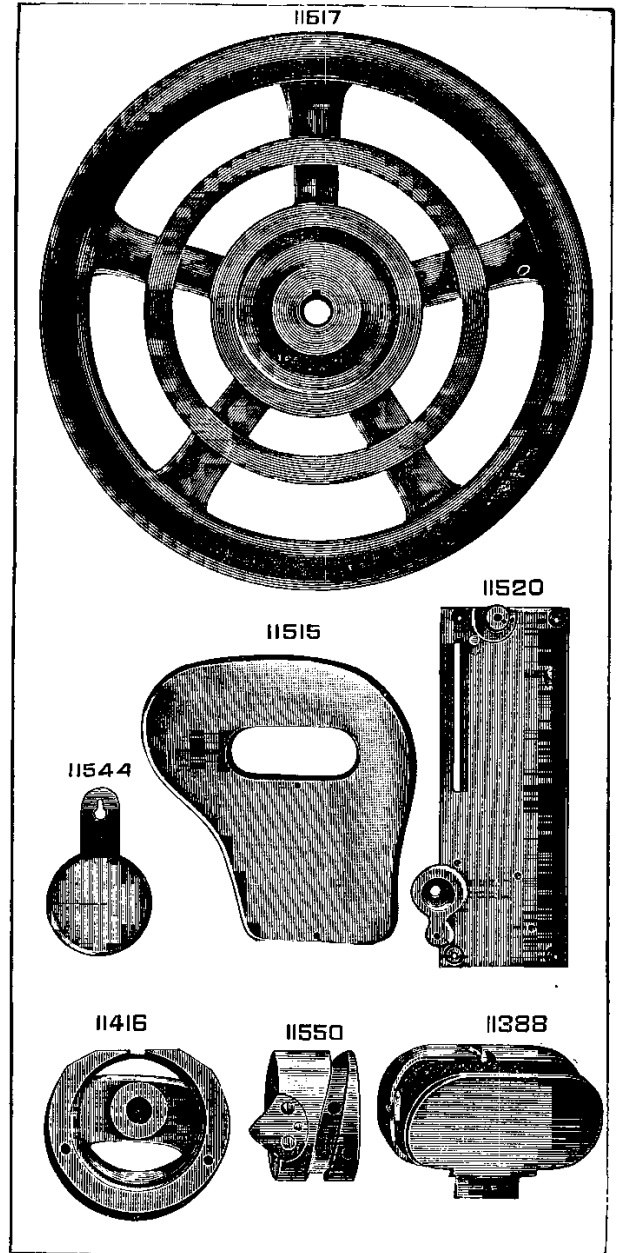


PLATE 855—ONE-FOURTH SIZE

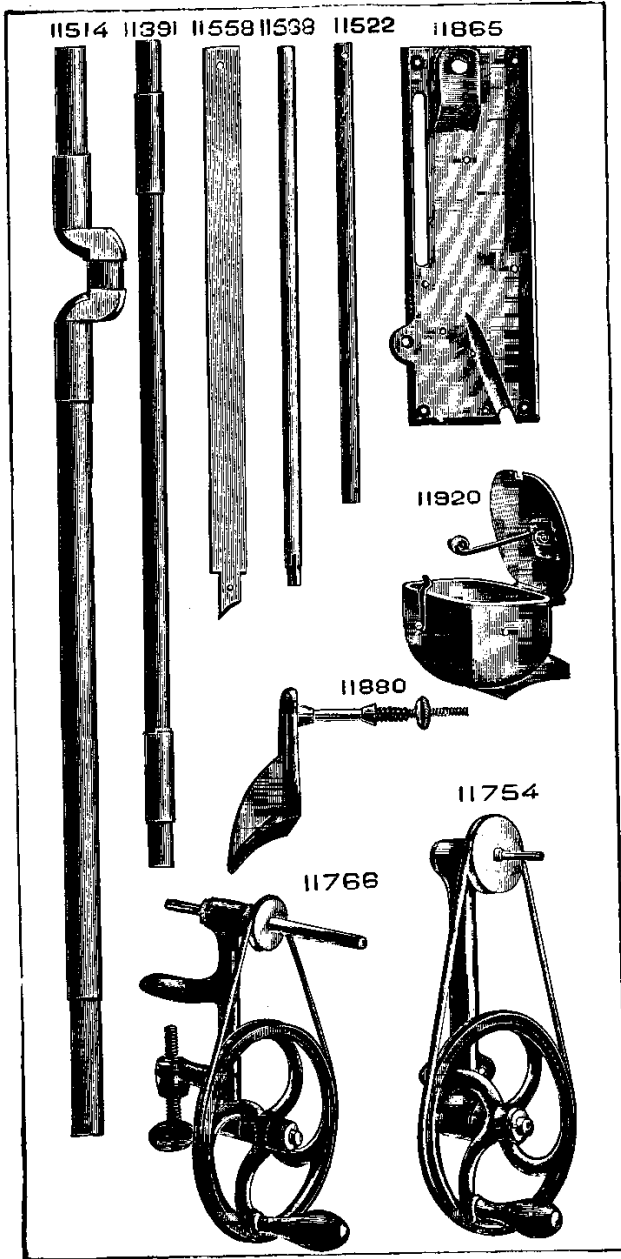


PLATE 856—ONE-HALF SIZE

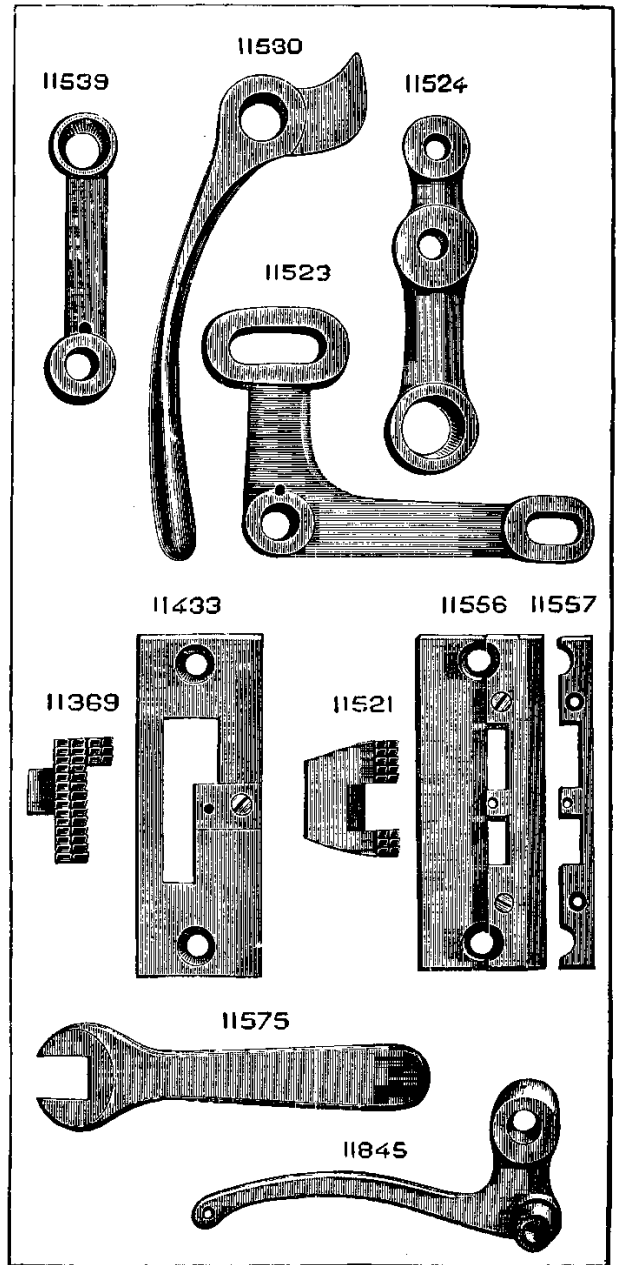


PLATE 857—ONE-HALF SIZE

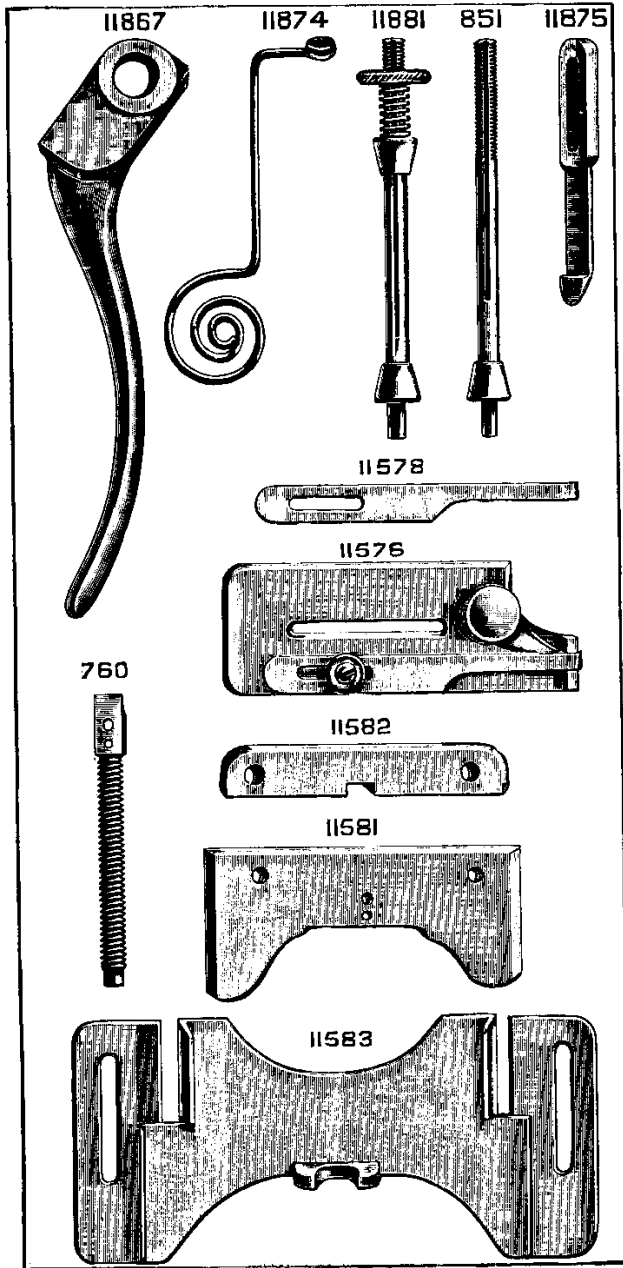


PLATE 858—ONE-HALF SIZE

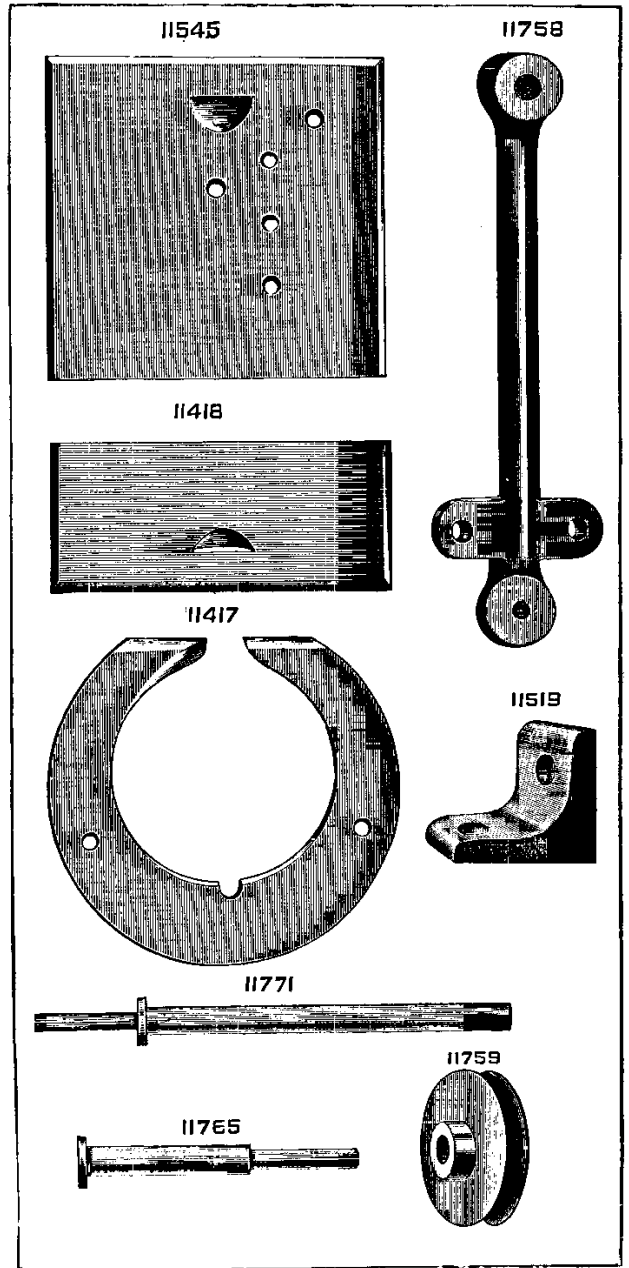


PLATE 859—ONE-HALF SIZE

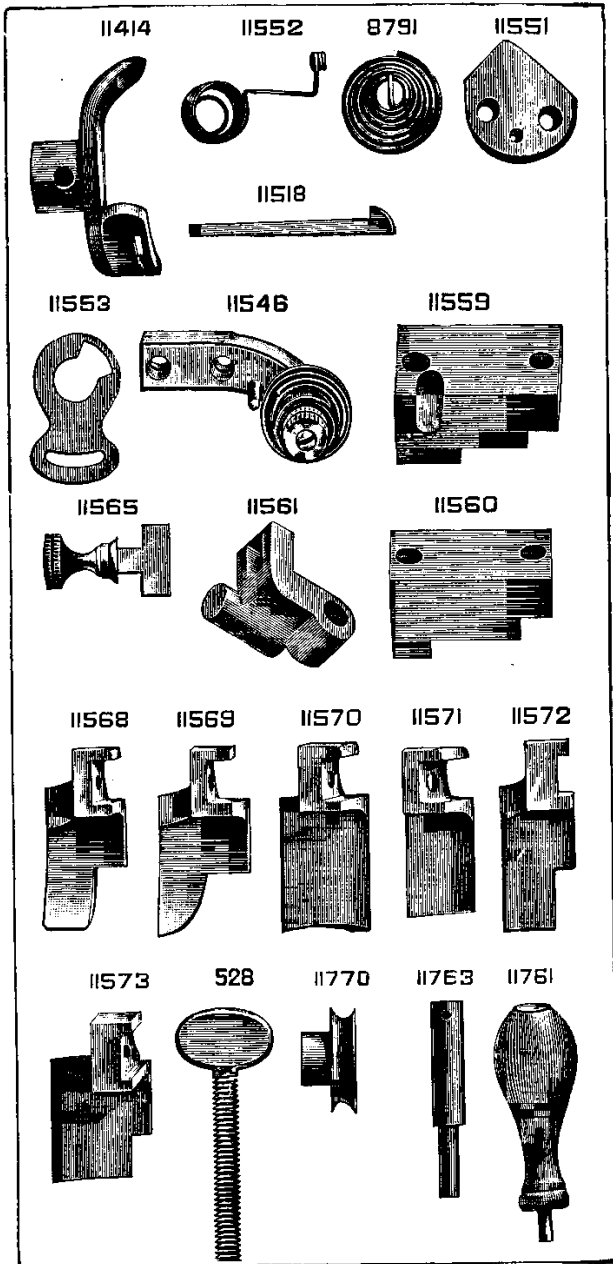


PLATE 860—FULL SIZE

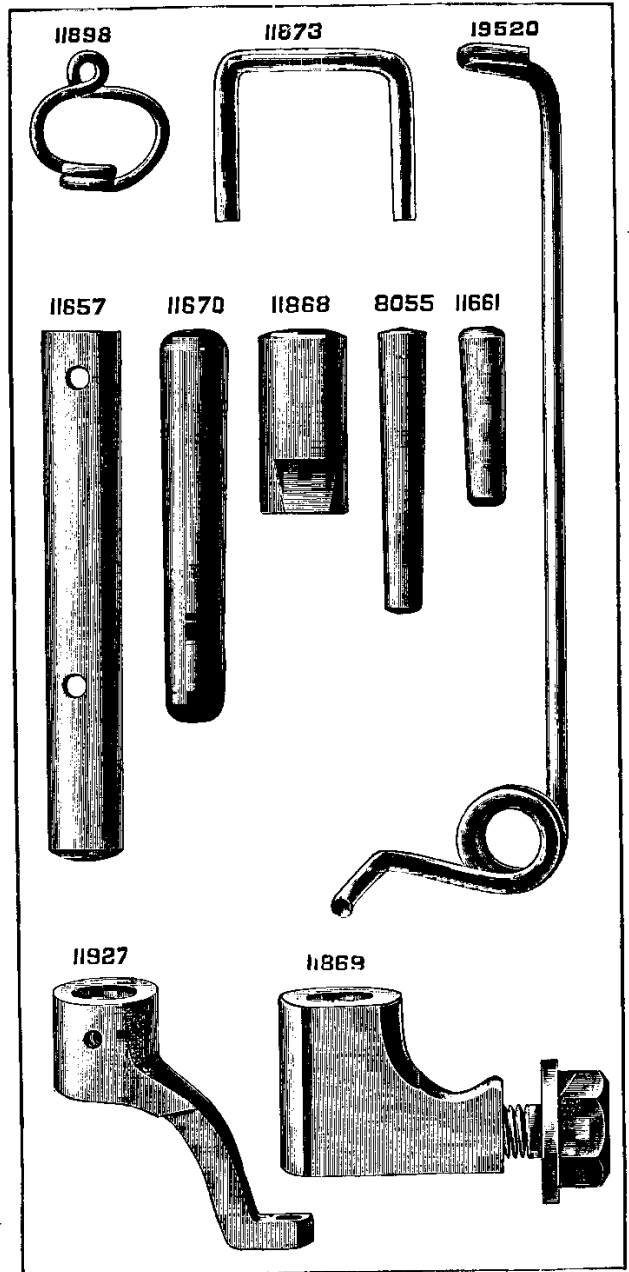


PLATE 861—FULL SIZE

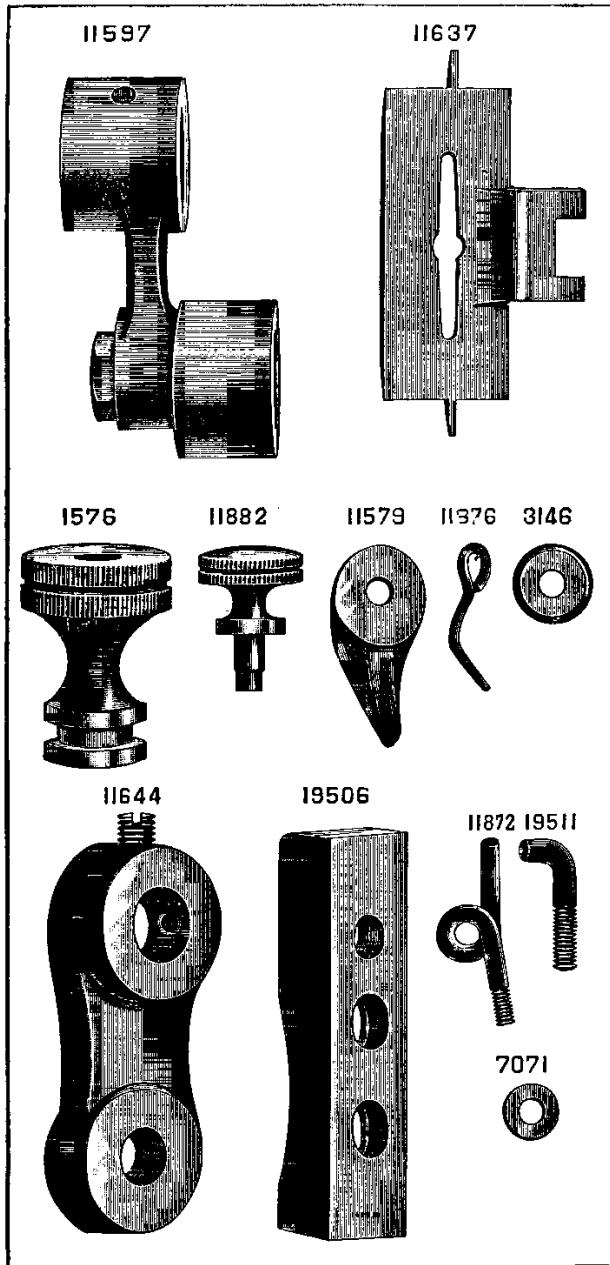


PLATE 862—FULL SIZE

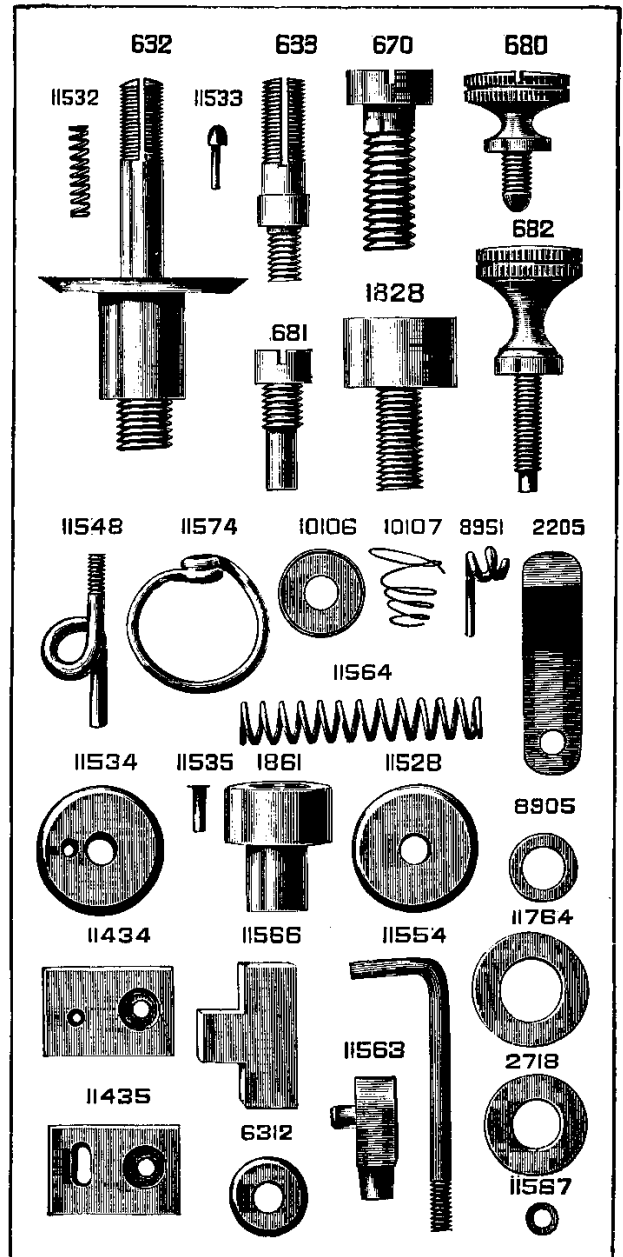


PLATE 869—FULL SIZE

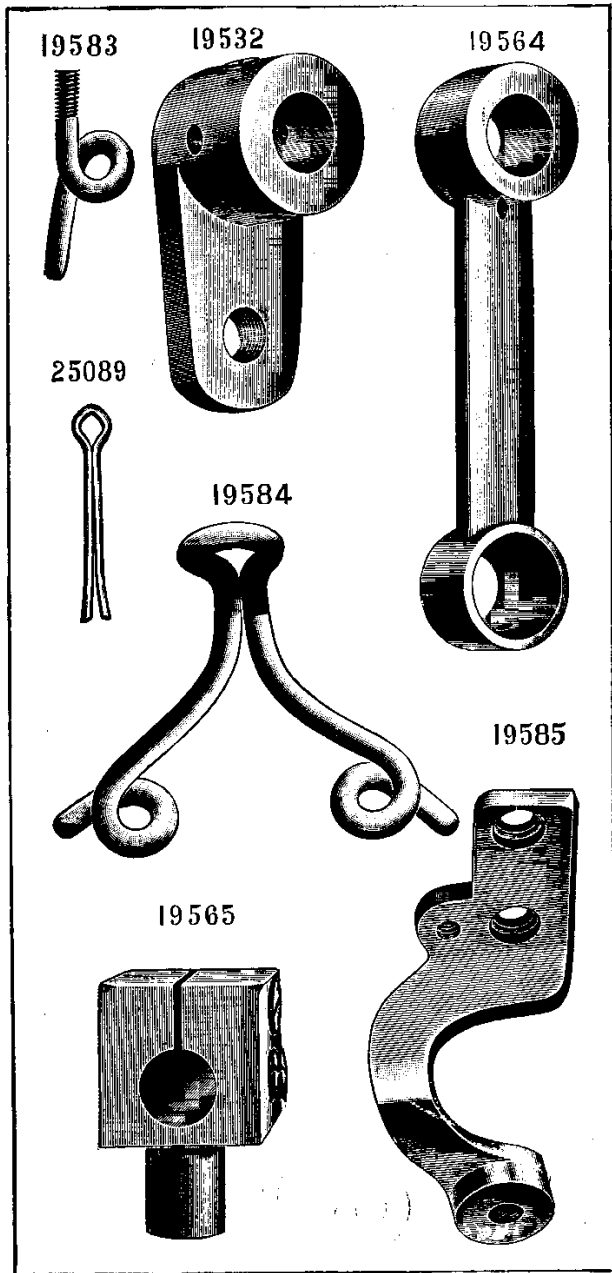


PLATE 874—FULL SIZE

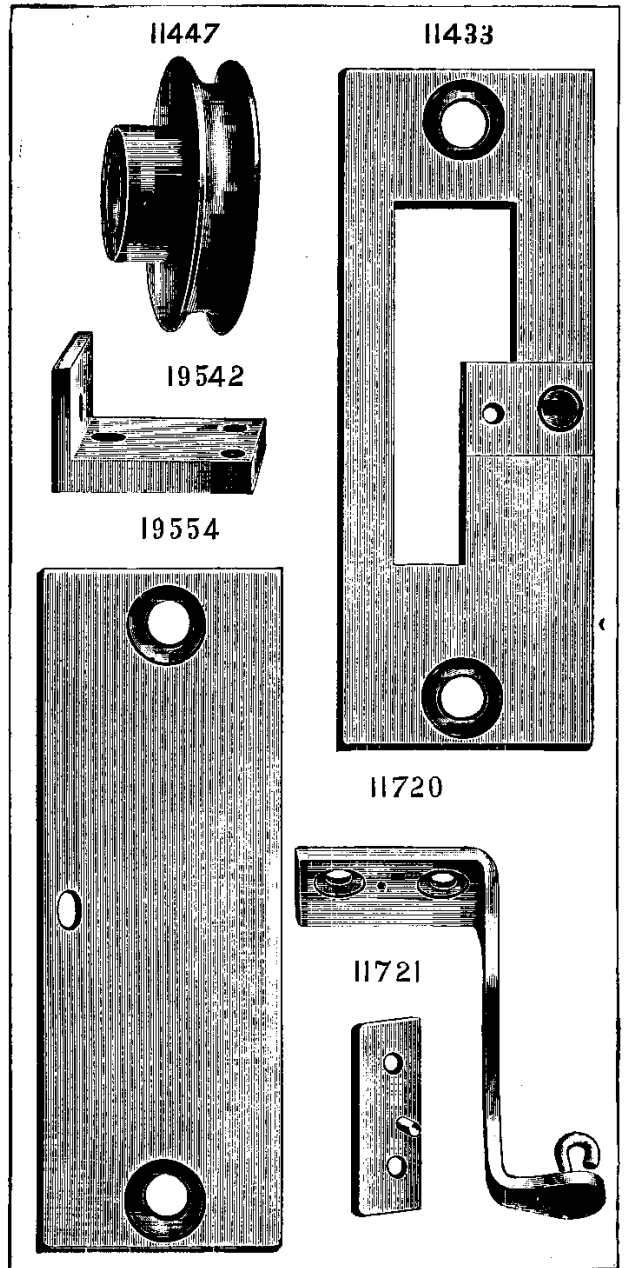


PLATE 881—FULL SIZE

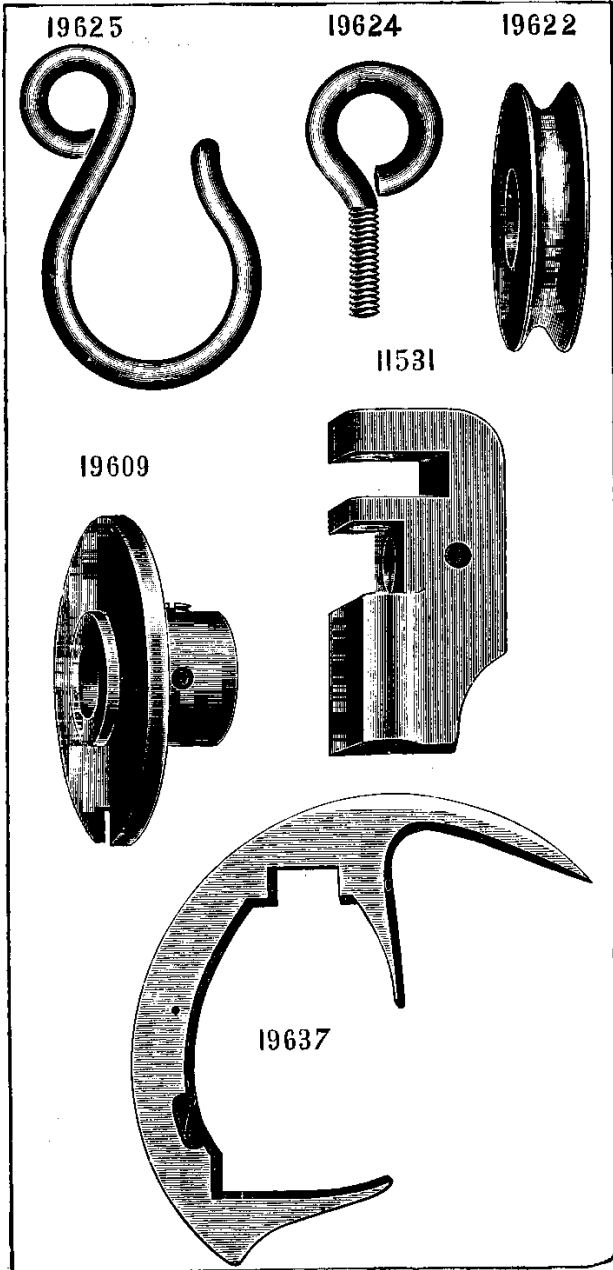


PLATE 887—FULL SIZE

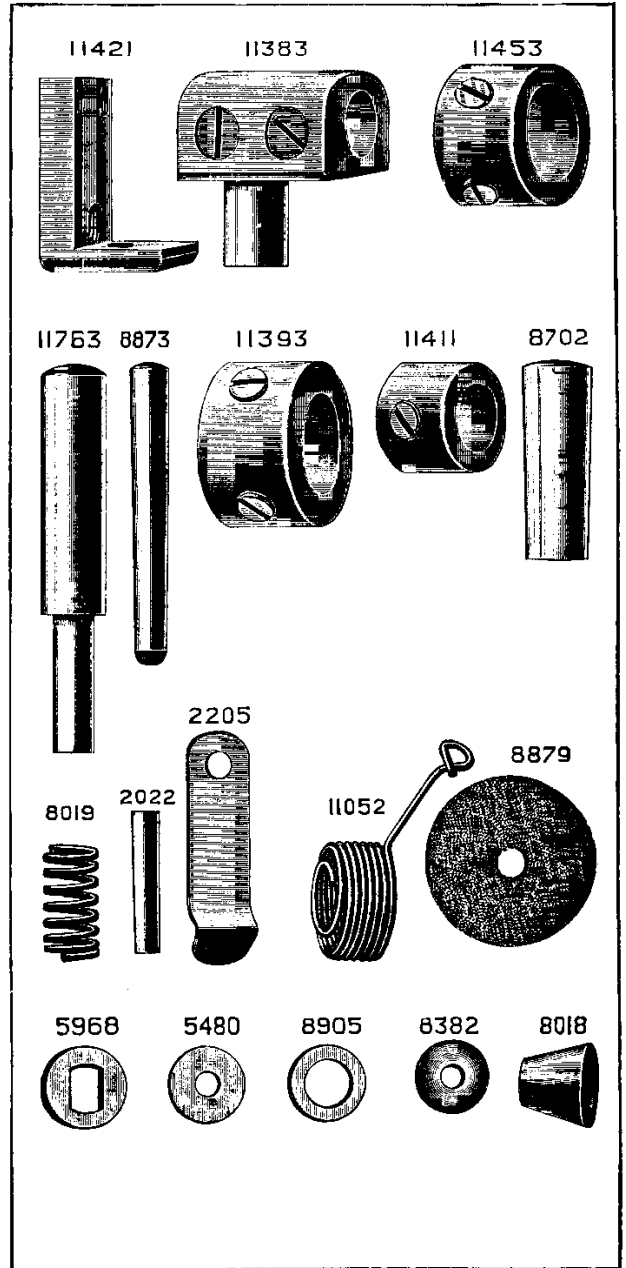


PLATE 888—FULL SIZE

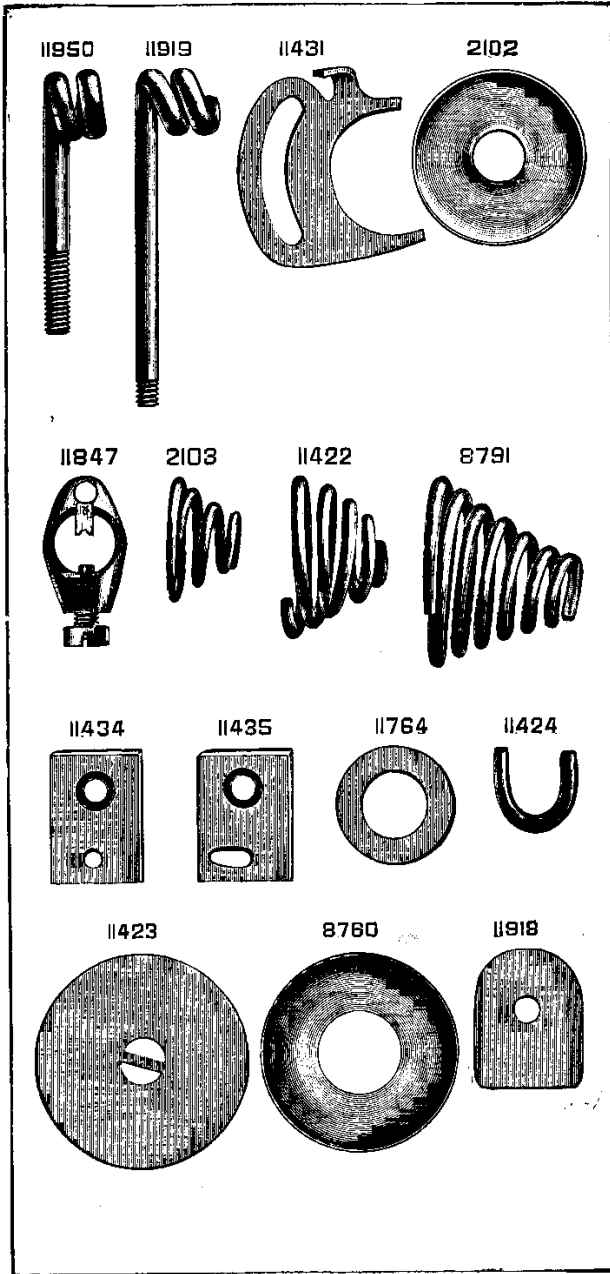


PLATE 889—FULL SIZE

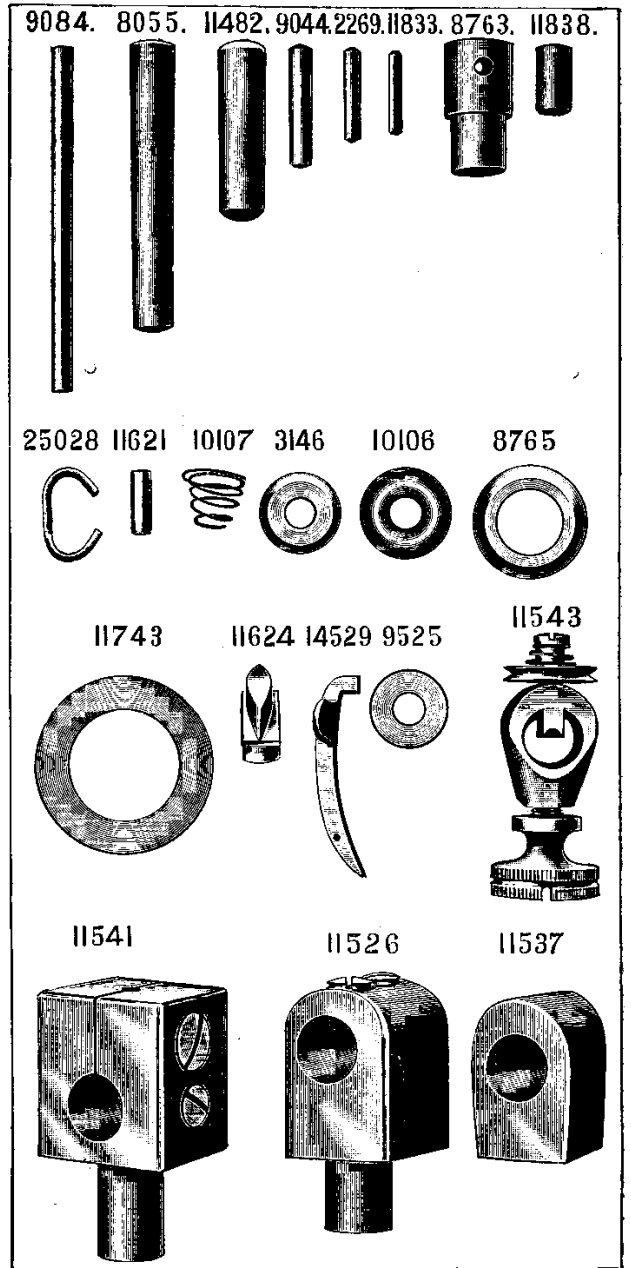




PLATE 890—FULL SIZE

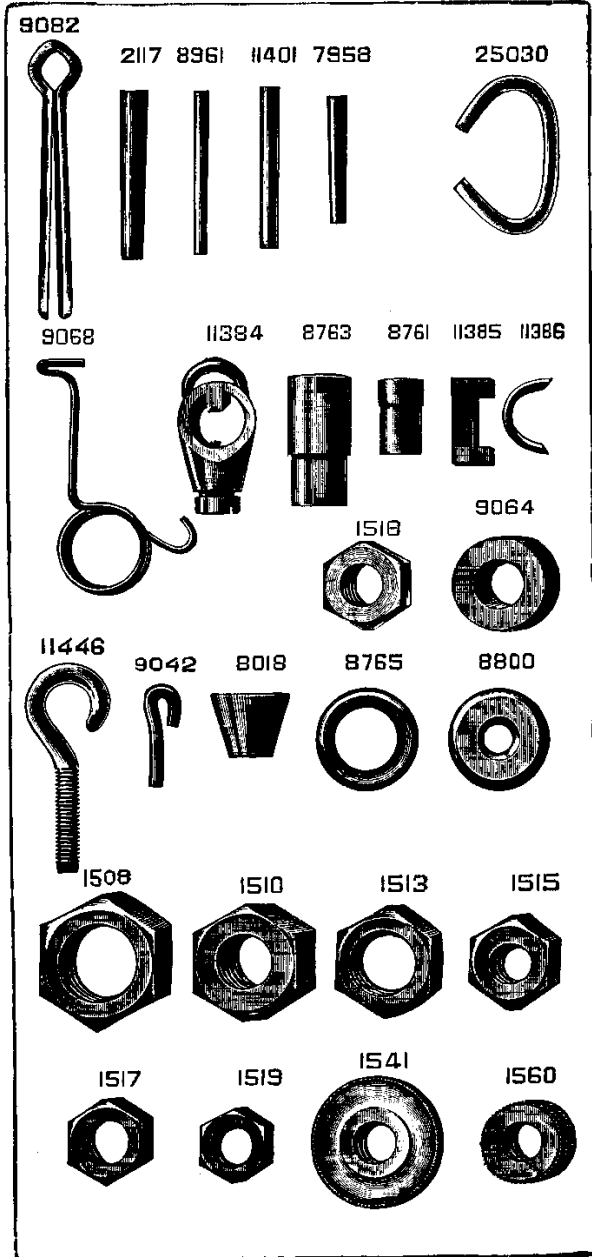


PLATE 892—ONE-HALF SIZE

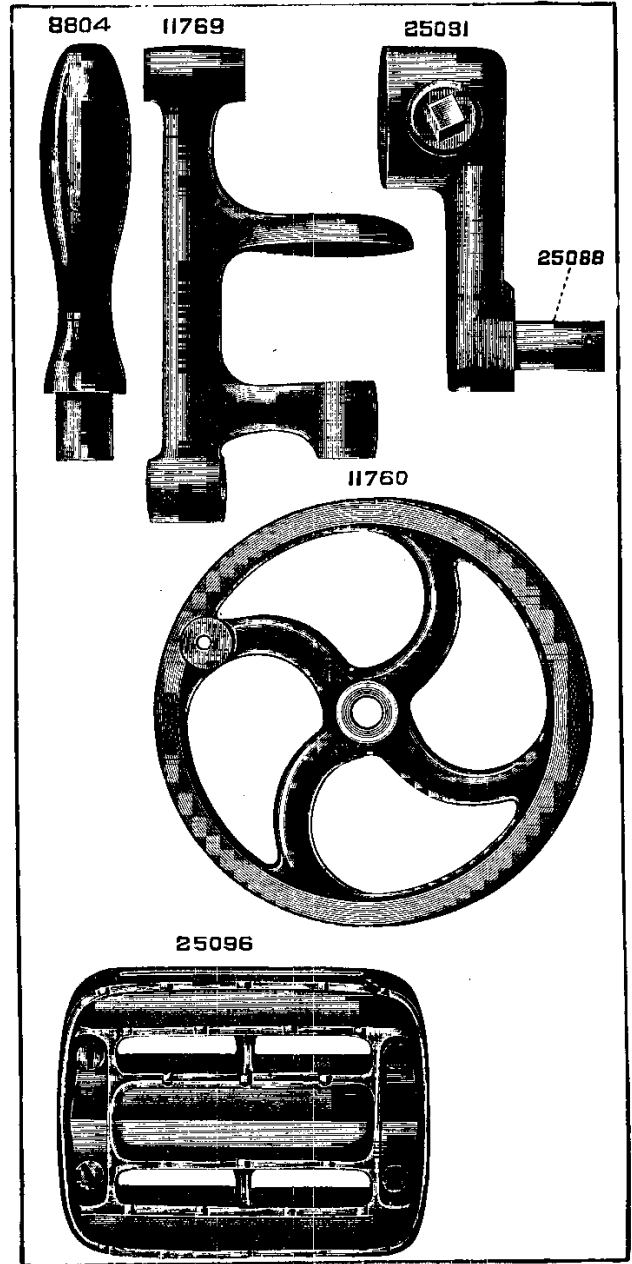


PLATE 893—FULL SIZE

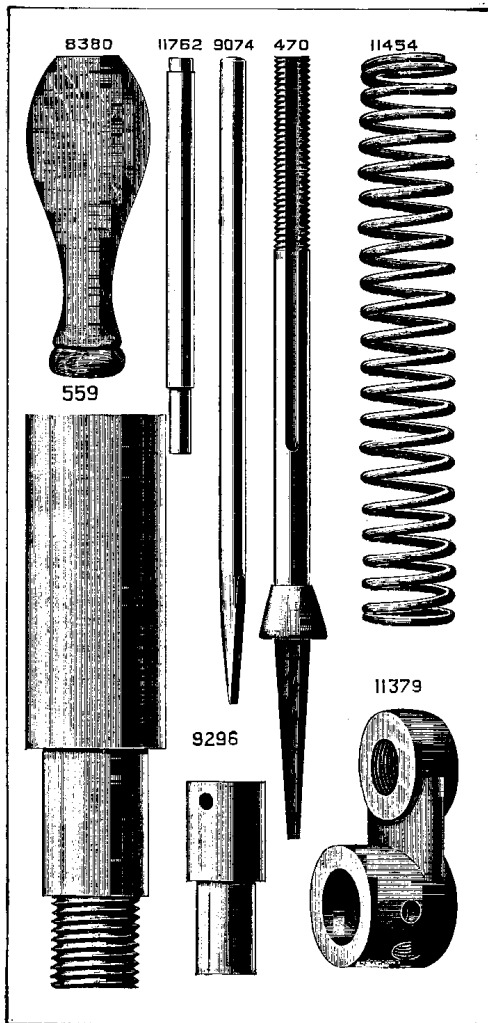
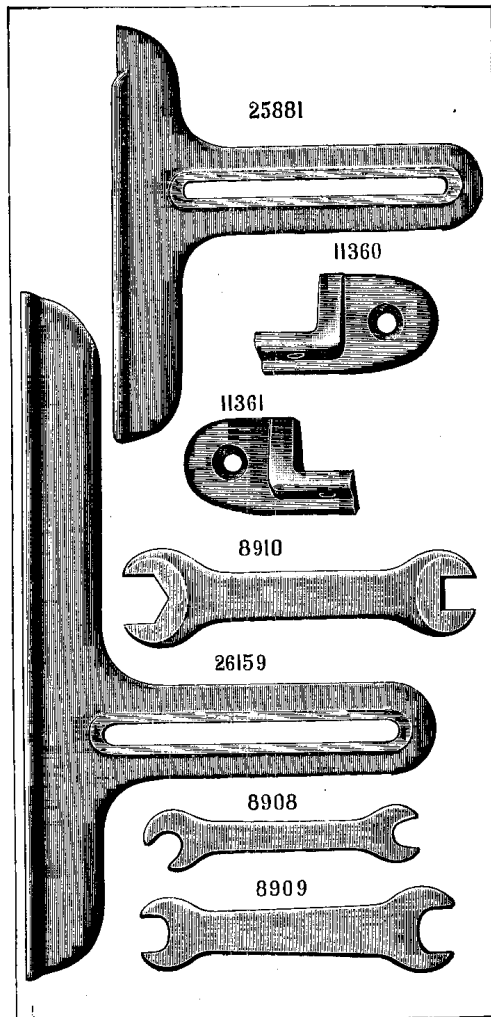


PLATE 894—ONE-HALF SIZE



'PLATE 895—ONE-HALF SIZE

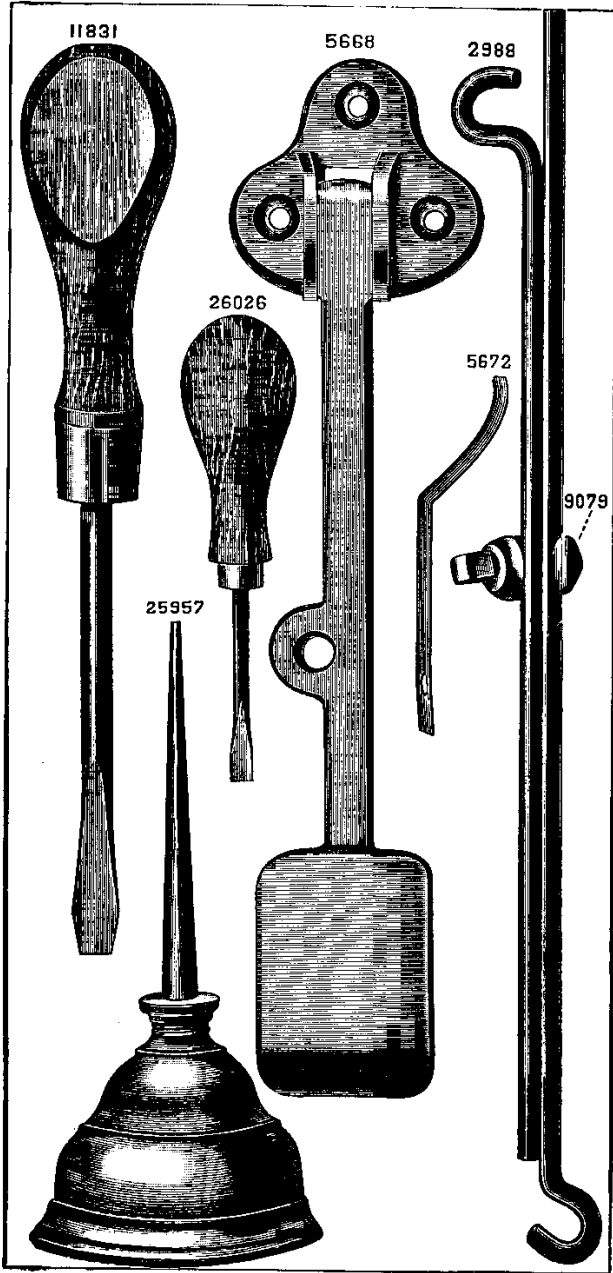


PLATE 897—FULL SIZE

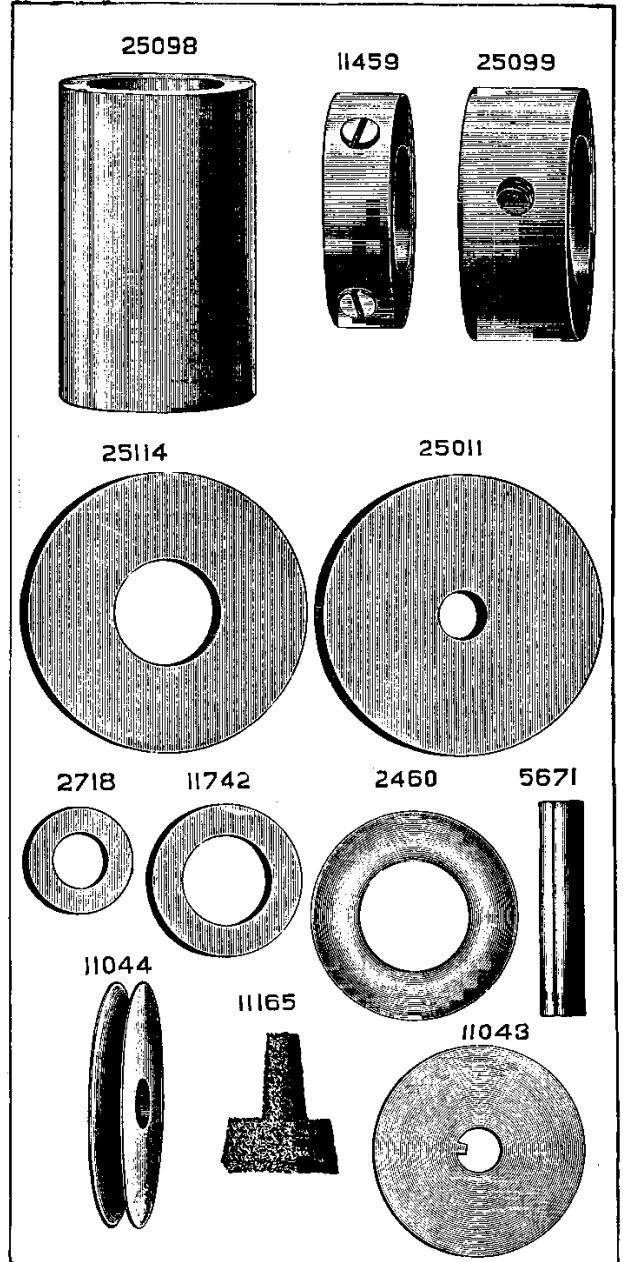


PLATE 898—FULL SIZE

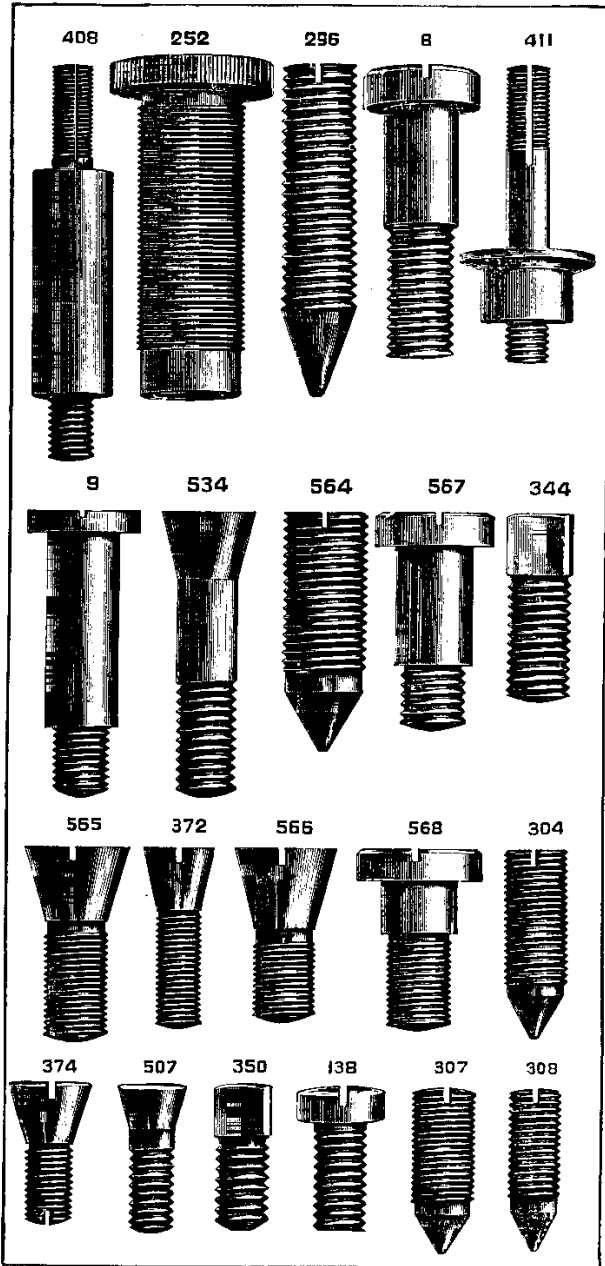


PLATE 899—FULL SIZE

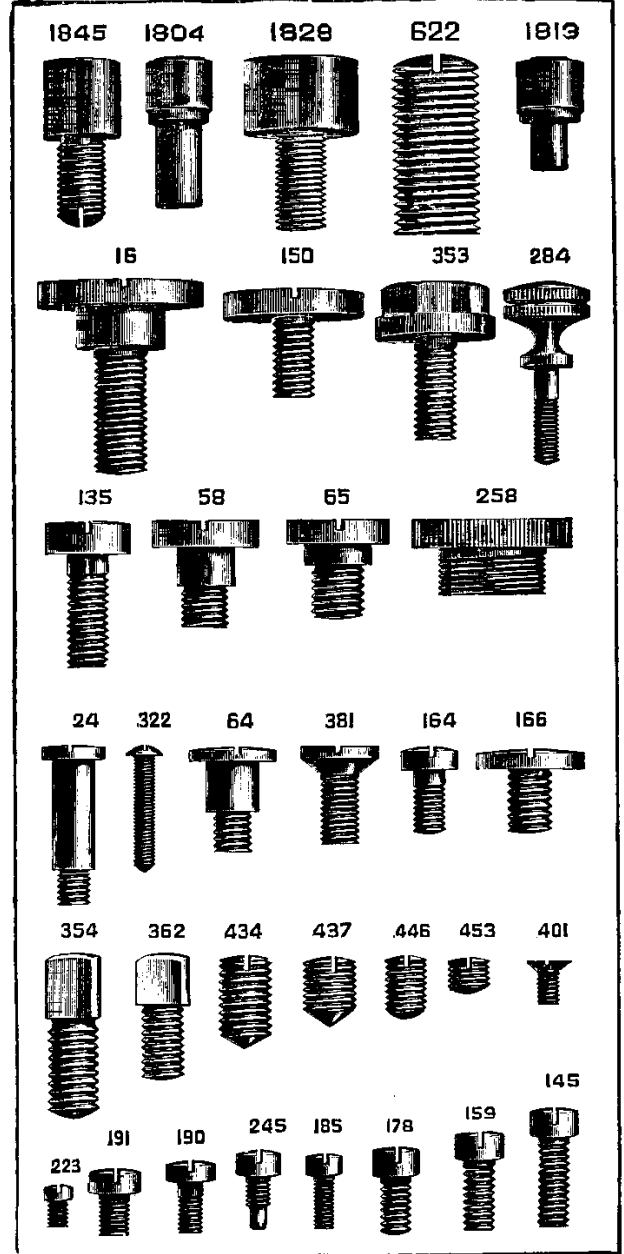


PLATE 900—FULL SIZE

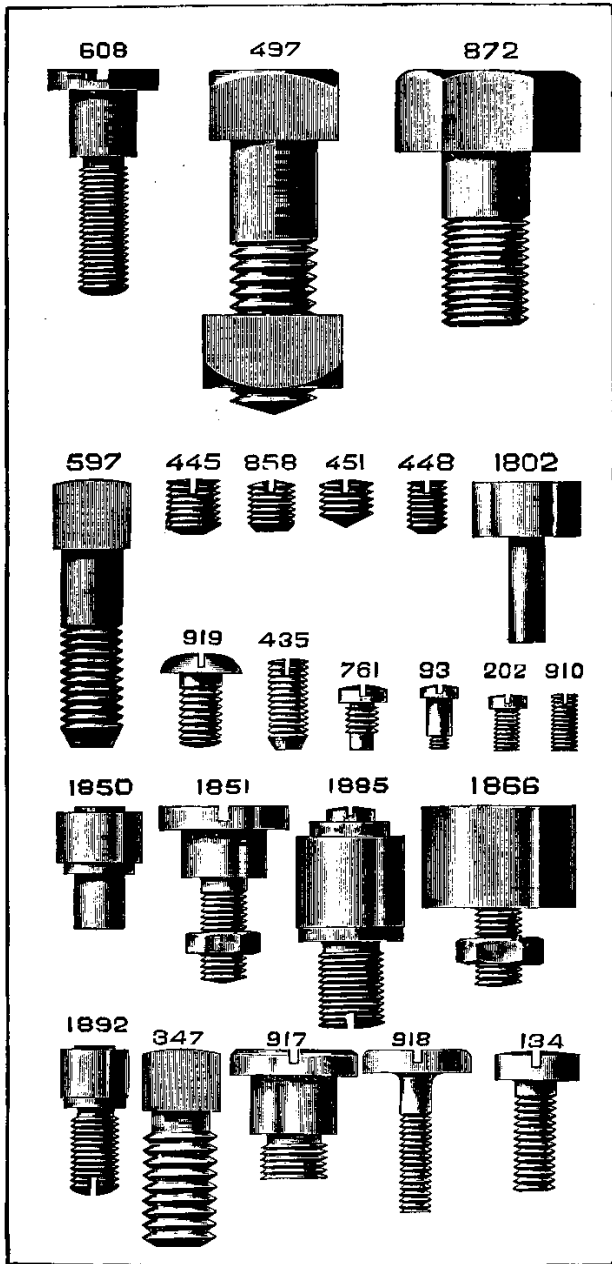


PLATE 901—FULL SIZE

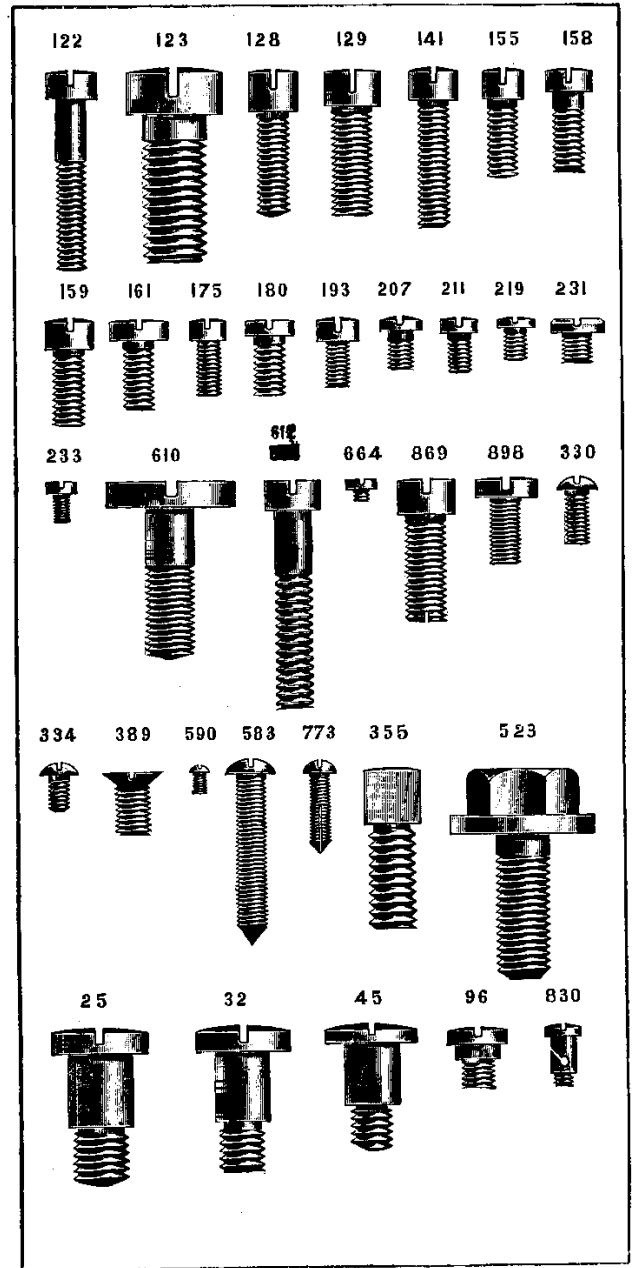


PLATE 902—FULL SIZE

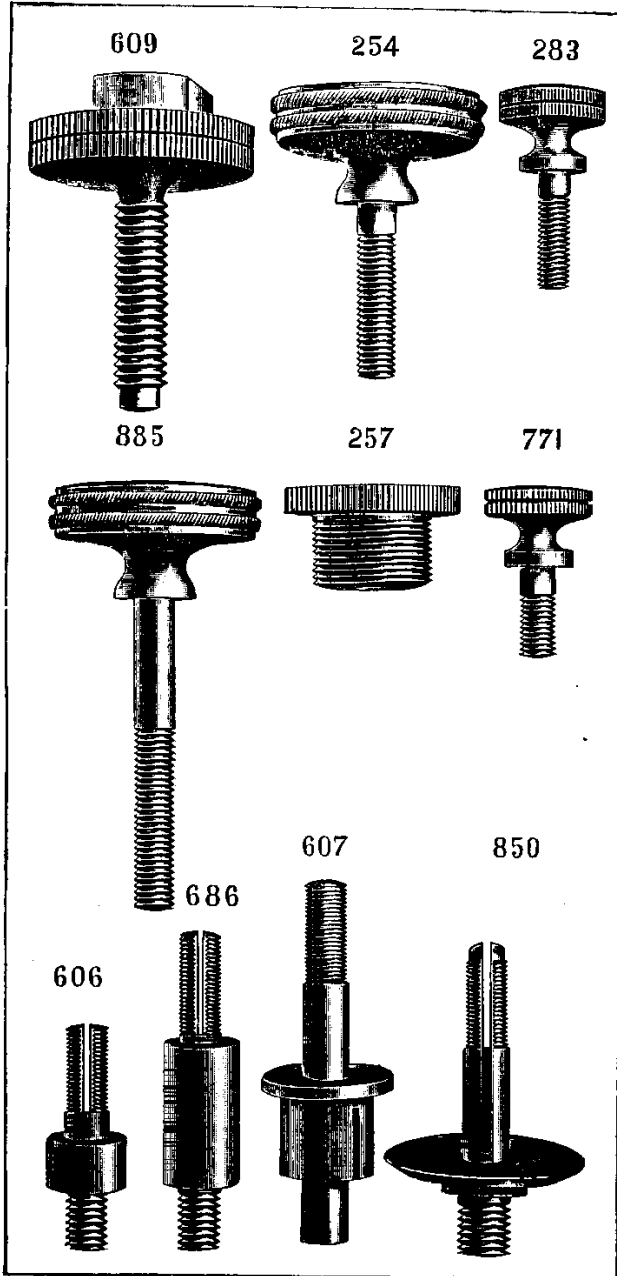


PLATE 905—FULL SIZE

