

FORM 8864
July, 1922

PRICE LIST

OF

PARTS



FOR FAMILY SHOPS

MACHINE No. 24-62

THE SINGER MANUFACTURING COMPANY

COPYRIGHT, U.S.A., 1917 and 1919, BY THE SINGER MANUFACTURING CO.
ALL RIGHTS RESERVED FOR ALL COUNTRIES

INDEX

	PAGE
ATTACHMENTS AND ACCESSORIES.....	12
ATTACHMENT SET.....	11
BIAS GAUGE.....	12
B. T. MOTORS.....	13
EDGE STITCHER.....	12
HEMSTITCHER.....	12
KNEE CONTROL FOR PORTABLE CASE SET NO. 202.....	18
MACHINE BASE.....	10
MACHINE NO. 24-62.....	7
MOTOR PARTS.....	14
NUMERICAL LIST OF PARTS.....	23
PRESSER FEET.....	12
QUILTERS.....	12
STILETTO.....	13
TRIMMINGS FOR PORTABLE CASE SET NO. 202.....	17

NO.	PLATE	NAME	EACH
9936	6822	Feed Forked Connection Link with 1012E	\$ 80
1012E	6822	" " " " Adjusting Screw	07
1126A	6822	Feed Forked Connection Link Hinge Screw	20
9514	6822	" Raising Bar with 131E	80
131E	6822	" " " Adjusting Screw	06
9515	6822	" " " Carrier	50
212D	6822	" " " " Cap Screw	06
5968	6822	" " " " " Washer	02
22417	6822	" " " " Hinge Pin	35
1518E	6822	" " " " " Nut	06
9517	6822	" " " Hinge Pin	10
22418	6823	" Regulator	55
9521	6823	" " Friction Washer	01
59D	6823	" " Hinge Screw	10
22419	6823	" " Indicator with 193A	90
193A	6823	" " " Set Screw	05
22420	6823	" " " Shaft	25
9522	6823	Looper with 34118	90
9523	6819	" Gate	07
22421	6818	" " Frame	60
389B	6819	" " " Screw	06
87D	6819	" " Hinge Screw	07
9525	6819	" " " Washer	01
1019C	6822	" Set Screw	02
34418	6823	" Washer	01
34220	6823	Needle Bar with 806A	90
34221	6823	" " Bushing	50
735C	6824	" " " Set Screw	02
34170	6823	" " Connecting Link with two 1313E	35
1313E	6823	Needle Bar Connecting Link Adjusting Screw	02
9570	6823	Needle Bar Connecting Stud with 207E	50
207E	6823	" " " " Clamping Screw	02
806A	6823	Needle Thumb Screw	20
22423	6823	Presser Bar	60
22402A	6823	" " Lifter	30
97E	6823	" " " Hinge Screw	06
22424	6823	" " Spring	07
22404	6823	" " " Bracket with 462C	50
462C	6823	" " " " Set Screw	02
22405	6823	" " " Washer	01
34421	6821	" Foot	80
1127B	6824	" " Thumb Screw	10
1339B	6823	Pressure Regulating Thumb Screw	30

NO.	PLATE	NAME	EACH
22426	6818	Pulley and Thread Nipper Rod Eccentric, 2 1/8 in. diam.	\$1 15
1167E	6824	Pulley and Thread Nipper Rod Eccentric Screw	07
34460	6836	Spool Pin	07
34404	6824	" " Bracket with 1550A and 34460	35
330W	6824	" " " Screw	02
34102	---	" " Disc	20
34403V	6824	" " " 34402 with 557A and 34404	50
34404	---	" " " Hub	20
557A	6823	" " " Thumb Screw	20
1550A	6836	" " Nut	05
34222	6824	Thread Controller Eyelet (lower)	01
34405	6824	" " " (upper)	02
34106	---	" " Plate	1 40
34407V	6824	Thread Controller Plate complete, Nos. 1123C, 1624B, 34222, 34224, 34405, 34406, 34411, 34412, 50303B and two 8505	1 80
934W	6824	Thread Controller Plate Screw	02
34224	6824	" " Spring	20
1123C	6824	" " " Adjusting Screw	02
8505	6819	" " " Rivet per 100	20
34566V	6836	" Eyelet (top of arm)	20
50014E	6836	" " " " Set Screw	02
34562	6836	" Nipper Adjusting Stud	60
34563	---	" " " " 34562 with 22434, 22435 and 34564	70
1170A	6836	Thread Nipper Adjusting Stud Hole Plug Screw	20
22434	6836	Thread Nipper Adjusting Stud Washer (leather, lower)	01
22435	6836	Thread Nipper Adjusting Stud Washer (leather, upper)	02
34564	6836	Thread Nipper Adjusting Stud Washer (steel)	01
34548	6836	Thread Nipper Body with two 34560	1 20
34549	---	Thread Nipper Body complete, Nos. 22440 to 22442, 22446, 34455, 34548, 34551 to 34553, 34557 to 34559 and 34561	3 60
1125B	6836	Thread Nipper Body Set Screw	06
34430	---	" " " Cap	25
*34550	---	" " " " Stud	80
34551V	6836	" " " " 34550 with 34430	1 00
22440	6836	Thread Nipper Body Cap Washer (cloth)	01
22441	6836	" " " " " (steel)	05

NO.	PLATE	NAME	EACH
22112	6836	Thread Nipper Disc (grooved).....	\$ 20
34552	6836	" " Locking Washer.....	10
34553	6836	Thread Nipper Locking Washer Cap complete, Nos. 34554 to 34556.....	20
*34554	----	Thread Nipper Locking Washer Cap Body.....	20
*34555	----	Thread Nipper Locking Washer Cap Body Cover (felt).....	01
*34556	----	Thread Nipper Locking Washer Cap Body Cover Retaining Washer.....	01
34557	6836	Thread Nipper Locking Washer Cap Ball Pin.....	10
34558	6836	Thread Nipper Ring (lower).....	20
34559	6836	" " " " Washer (1/2 in. cloth).....	02
22446 /	6836	Thread Nipper Ring (upper).....	20
34560	6836	" " " " Position Pin.....	02
22449	6836	" " " " Rod.....	1 50
34565	----	" " " " 22449 with 34563... 2	20
34455	6836	" " " " Spring.....	02
34561	6836	" " " " Washer (micarda).....	25
34408 ✓	6824	" Pull-off Eyelet (double).....	25
249A ✓	6824	" " " " Screw.....	02
34409 ✓	6824	" " " " Pin.....	07
853c	6824	" " " " Set Screw.....	02
34225 ✓	6824	" Take-up with 735c.....	35
735c	6824	" " " " Set Screw.....	02
34411	6824	" " " " Spring.....	07
50303b	6824	" " " " Screw.....	06
1624b	6824	" " " " Nut.....	05
34412	6824	" " " " " Friction Washer.....	01
34413 ✓	6824	Throat Plate for 34398.....	50
2444 /	6824	" " " " Screw.....	05

MACHINE BASE

NO.	PLATE	NAME	EACH
34545	6838	Machine Base with 28186 and two each 453c, 934b and 34075.....	\$6 00
34075	6836	Machine Position Stud.....	07
28186 ✓	6837	Index Plate.....	20
934b ✓	6824	" " " " Screw.....	02
50576E	6836	Machine Screw.....	07

ATTACHMENT SET

NO.	PLATE	NAME	EACH
25618B	6844	Cloth Guide.....	\$ 25
287B	6844	" " " " Thumb Screw.....	20
28863	6844	Gatherer.....	20
25503	6844	Hemmer, 3/2 in. hem.....	1 20
25617	6844	" " 1/8 in. hem.....	1 20
25504	6844	" " (wide hem).....	1 20
1531b	6844	" " Thumb Nut.....	20
-----	-----	Needles (six) Class 24 x 1.....	—
26765	2711	Ruffler Driving Lever.....	20
26522	2711	" " " " Hinge Stud.....	05
812B	2711	" " " " Thumb Screw.....	10
26766	2711	" " " " Frame.....	35
911B	2711	" " " " Screw Stud.....	05
26767	2711	" " " " Ruffling Blade.....	05
26768	2711	" " " " Holder.....	20
26769	2711	" " " " Lever with 620F... 20	20
620F	2711	" " " " " Adjusting Screw.....	02
26770	2711	Ruffler Ruffling Blade Lever Hinge Stud..	01
26459	2711	" " " " Rivet (furnished for repairs).....per 100	25
26771	2711	Ruffler Separating Blade.....	02
26772	2711	" " " " Bracket.....	20
26459	2711	" " " " Rivet (furnished for repairs).....per 100	25
26773	2711	Ruffler Spring Presser.....	20
26459	2711	" " " " Rivet (furnished for repairs).....per 100	25
26774	2711	Ruffler complete, Nos. 812b, 911b, 26522 and 26765 to 26773.....	1 25
25537	6844	Screw Driver.....	20
26289	1005	Tucker Driving Lever.....	05
26515	1005	" " " " Frame.....	20
26291	1005	" " " " Position Plate.....	20
911B	2711	" " " " " Screw Stud.....	05
26090	1005	" " " " Rocking Bar.....	20
26514	1005	" " " " Lifting Spring.....	02
26294	1005	" " " " Tuck Guide.....	20
658B	1005	" " " " " Thumb Screw.....	07
26295	1005	" " " " Marker Guide Clamp.....	07
561B	1005	" " " " " " " Thumb Screw.....	10
26097	1005	Tucker Tuck Marker Guide Rod.....	07
233B	6824	" " " " " " " End Screw.....	02
26095	1005	Tucker Tuck Marking Plate.....	20

ATTACHMENT SET

NO.	PLATE	NAME	EACH
26098	1005	Tucker Tuck Smoothing Spring.....	\$ 07
26092	6824	" " " " Rivet (furnished for repairs)..... per 100	25
26516	1005	Tucker complete, Nos. 233b, 561b, 658b, 911b, 26090, 26095, 26097, 26098, 26289, 26291, 26294, 26295, 26514 and 26515....	1 15
120308	---	Attachment Set, Nos. 287b, 1531b, 25503, 25504, 25537, 25617, 25618b, 26516, 28863 and six needles.....	4 80
35867	---	Attachment Set complete, Nos. 26774 and 120308.....	7 50

ACCESSORIES

NO.	PLATE	NAME	EACH
36569	6818	Oiler with 36571.....	\$ 07
36570	---	" 36569, filled with oil.....	10
36571	6818	" Spout, 1 $\frac{1}{4}$ in. long, with 36807.....	01
36807	6824	" " Washer (leather).....	01

BIAS GAUGE

NO.	PLATE	NAME	EACH
25525	6844	Bias Gauge.....	\$ 20

EDGE STITCHER

NO.	PLATE	NAME	EACH
36866	6837	Edge Stitcher.....	\$ 80

HEMSTITCHER

NO.	PLATE	NAME	EACH
35024	6821	Hemstitcher.....	\$ 80

PRESSER FEET

NO.	PLATE	NAME	EACH
34447	6837	Presser Foot, for stitching on edge and inserting cord.....	\$ 80
36782	6821	Presser Foot, for gathering.....	80

QUILTER

NO.	PLATE	NAME	EACH
25505	6844	Quilter.....	\$ 07
557A	6823	" Thumb Screw.....	20

STILETTO

NO.	PLATE	NAME	EACH
25539	6844	Stiletto.....	\$ 07

B. T. MOTORS

CAT. NO.	AMP.	VOLTS	CYCLES	CURRENT	EACH
B. T. 107	.6	100-110	60	D. C. and A. C.	\$ --
B. T. 108	.6	115-125	60	D. C. and A. C.	--
B. T. 110	.3	200-220	60	D. C. and A. C.	--
B. T. 112	.3	230-250	60	D. C. and A. C.	--
B. T. 113	1.4	32		D. C.	--
B. T. 117	.6	100-110	50	D. C. and A. C.	--
B. T. 118	.6	115-125	50	D. C. and A. C.	--
B. T. 119	.45	150-165	50	D. C. and A. C.	--
B. T. 120	.3	200-220	50	D. C. and A. C.	--
B. T. 121	.3	210-230	50	D. C. and A. C.	--
B. T. 122	.3	230-250	50	D. C. and A. C.	--
B. T. 124		50	50	D. C. and A. C.	--
B. T. 127	.6	100-110	25 and 33 $\frac{1}{3}$	A. C.	--
B. T. 128	.6	115-125	25 and 33 $\frac{1}{3}$	A. C.	--
B. T. 129	.45	150-165	25 and 33 $\frac{1}{3}$	A. C.	--
B. T. 130	.3	200-220	25 and 33 $\frac{1}{3}$	A. C.	--
B. T. 132	.3	230-250	25 and 33 $\frac{1}{3}$	A. C.	--
B. T. 147	.6	100-110	40 and 60	A. C.	--
B. T. 148	.6	115-125	40 and 60	A. C.	--
B. T. 149	.45	150-165	40 and 60	A. C.	--
B. T. 150	.3	200-220	40 and 60	A. C.	--
B. T. 152	.3	230-250	40 and 60	A. C.	--
B. T. 157	.6	100-110	40	D. C. and A. C.	--
B. T. 158	.6	115-125	40	D. C. and A. C.	--
B. T. 159		150-165	40	D. C. and A. C.	--
B. T. 160		200-220	40	D. C. and A. C.	--
B. T. 162		230-250	40	D. C. and A. C.	--
B. T. 177		100-110	67 and 83	A. C.	--
B. T. 178		115-125	67 and 83	A. C.	--
B. T. 179		150-165	67 and 83	A. C.	--
B. T. 180		200-220	67 and 83	A. C.	--
B. T. 182		230-250	67 and 83	A. C.	--
B. T. 187		100-110	85 and 100	A. C.	--
B. T. 188		115-125	85 and 100	A. C.	--
B. T. 189		150-165	85 and 100	A. C.	--
B. T. 190		200-220	85 and 100	A. C.	--
B. T. 192		230-250	85 and 100	A. C.	--

MOTOR PARTS

NO.	PLATE	NAME	EACH
190008	6839	Armature complete for B. T. 107 Motor	8 00
		Armature complete for B. T. 108 Motor	8 00
190010	---	Armature complete for B. T. 110 Motor	8 00
		Armature complete for B. T. 112 Motor	8 00
		Armature complete for B. T. 113 Motor	8 00
		Armature complete for B. T. 117 Motor	8 00
		Armature complete for B. T. 118 Motor	8 00
		Armature complete for B. T. 119 Motor	8 00
		Armature complete for B. T. 120 Motor	8 00
		Armature complete for B. T. 121 Motor	8 00
		Armature complete for B. T. 122 Motor	8 00
		Armature complete for B. T. 124 Motor	8 00
		Armature complete for B. T. 127 Motor	8 00
		Armature complete for B. T. 128 Motor	8 00
		Armature complete for B. T. 129 Motor	8 00
		Armature complete for B. T. 130 Motor	8 00
		Armature complete for B. T. 132 Motor	8 00
190008	6839	Armature complete for B. T. 147 Motor	8 00
		Armature complete for B. T. 148 Motor	8 00
		Armature complete for B. T. 149 Motor	8 00
		Armature complete for B. T. 150 Motor	8 00
		Armature complete for B. T. 152 Motor	8 00
		Armature complete for B. T. 157 Motor	8 00
190009	---	Armature complete for B. T. 158 Motor	8 00
		Armature complete for B. T. 159 Motor	8 00
		Armature complete for B. T. 160 Motor	8 00
		Armature complete for B. T. 162 Motor	8 00
		Armature complete for B. T. 177 Motor	8 00
		Armature complete for B. T. 178 Motor	8 00
		Armature complete for B. T. 179 Motor	8 00
		Armature complete for B. T. 180 Motor	8 00
		Armature complete for B. T. 182 Motor	8 00
		Armature complete for B. T. 187 Motor	8 00
		Armature complete for B. T. 188 Motor	8 00
		Armature complete for B. T. 189 Motor	8 00
		Armature complete for B. T. 190 Motor	8 00
		Armature complete for B. T. 192 Motor	8 00
190076	6840	" Shaft Bearing Sleeve	20
190304	6840	" " " " Cap	20
191097	6840	" Thrust Washer (fibre)	01
191098	6840	" " " (peerless paper)	01
190980	---	Belt, size $\frac{5}{8}$ in. length 11 $\frac{7}{8}$ in	25
190976	6839	Belt complete, Nos. 190980 and 190981	30
190981	---	" Hook	10
190782	6840	Brush (carbon)	14

NO.	PLATE	NAME	EACH
190083	6840	Brush Holder Spring	\$ 06
190079	6840	" " Tube	01
190137	---	" " " 190079 with 190354	20
190547	6840	" " " Insulation	20
50518c	6840	" " " " Set Screw	02
190548	6840	" " " Cap	05
190551	---	Brush Holder complete, Nos. 190079, 190083, 190547, 190548 and 190782	45
190354	6839	Brush Lead, 6 $\frac{1}{4}$ in. long (black)	10
190059	6839	Commutator complete	2 00
191124	6839	End Cover (commutator end)	2 00
191141	---	End Cover (commutator end) complete, Nos. 904c, 190076, 190437, 191124 and two each 50518c and 190547	3 30
191125	6839	End Cover (pulley end)	2 00
191142	---	End Cover (pulley end) complete, Nos. 904c, 190076, 190559 and 191125	2 50
190559	6840	End Cover (pulley end) Lead Bushing	20
50517j	6840	" " Screw	10
191139	6841	Field Coil (lower) for B. T. 107 Motor	90
		" " " " B. T. 108 Motor	90
191233	---	" " " " B. T. 110 Motor	90
		" " " " B. T. 112 Motor	90
		" " " " B. T. 113 Motor	90
		" " " " B. T. 117 Motor	90
		" " " " B. T. 118 Motor	90
		" " " " B. T. 119 Motor	90
		" " " " B. T. 120 Motor	90
		" " " " B. T. 121 Motor	90
		" " " " B. T. 122 Motor	90
		" " " " B. T. 124 Motor	90
		" " " " B. T. 127 Motor	90
		" " " " B. T. 128 Motor	90
		" " " " B. T. 129 Motor	90
		" " " " B. T. 130 Motor	90
		" " " " B. T. 132 Motor	90
190890	---	" " " " B. T. 147 Motor	90
		" " " " B. T. 148 Motor	90
		" " " " B. T. 149 Motor	90
		" " " " B. T. 150 Motor	90
		" " " " B. T. 152 Motor	90
		" " " " B. T. 157 Motor	90
191161	---	" " " " B. T. 158 Motor	90
		" " " " B. T. 159 Motor	90
		" " " " B. T. 160 Motor	90
		" " " " B. T. 162 Motor	90
		" " " " B. T. 177 Motor	90

MOTOR PARTS

NO.	PLATE	NAME	EACH
		Field Coil (lower) for B. T. 178 Motor....	\$ 90
		“ “ “ “ B. T. 179 Motor....	90
		“ “ “ “ B. T. 180 Motor....	90
		“ “ “ “ B. T. 182 Motor....	90
		“ “ “ “ B. T. 187 Motor....	90
		“ “ “ “ B. T. 188 Motor....	90
		“ “ “ “ B. T. 189 Motor....	90
		“ “ “ “ B. T. 190 Motor....	90
		“ “ “ “ B. T. 192 Motor....	90
191138	6841	“ “ (upper) “ B. T. 107 Motor....	90
		“ “ “ “ B. T. 108 Motor....	90
191232	—	“ “ “ “ B. T. 110 Motor....	90
		“ “ “ “ B. T. 112 Motor....	90
		“ “ “ “ B. T. 113 Motor....	90
		“ “ “ “ B. T. 117 Motor....	90
		“ “ “ “ B. T. 118 Motor....	90
		“ “ “ “ B. T. 119 Motor....	90
		“ “ “ “ B. T. 120 Motor....	90
		“ “ “ “ B. T. 121 Motor....	90
		“ “ “ “ B. T. 122 Motor....	90
		“ “ “ “ B. T. 124 Motor....	90
		“ “ “ “ B. T. 127 Motor....	90
		“ “ “ “ B. T. 128 Motor....	90
		“ “ “ “ B. T. 129 Motor....	90
		“ “ “ “ B. T. 130 Motor....	90
		“ “ “ “ B. T. 132 Motor....	90
191140	—	“ “ “ “ B. T. 147 Motor....	90
		“ “ “ “ B. T. 148 Motor....	90
		“ “ “ “ B. T. 149 Motor....	90
		“ “ “ “ B. T. 150 Motor....	90
		“ “ “ “ B. T. 152 Motor....	90
		“ “ “ “ B. T. 157 Motor....	90
191234	—	“ “ “ “ B. T. 158 Motor....	90
		“ “ “ “ B. T. 159 Motor....	90
		“ “ “ “ B. T. 160 Motor....	90
		“ “ “ “ B. T. 162 Motor....	90
		“ “ “ “ B. T. 177 Motor....	90
		“ “ “ “ B. T. 178 Motor....	90
		“ “ “ “ B. T. 179 Motor....	90
		“ “ “ “ B. T. 180 Motor....	90
		“ “ “ “ B. T. 182 Motor....	90
		“ “ “ “ B. T. 187 Motor....	90
		“ “ “ “ B. T. 188 Motor....	90
		“ “ “ “ B. T. 189 Motor....	90
		“ “ “ “ B. T. 190 Motor....	90
		“ “ “ “ B. T. 192 Motor....	90
190056	6841	“ “ Insulation	01

MOTOR PARTS

NO.	PLATE	NAME	EACH
190356	6839	Field Coil Lead, 6 $\frac{3}{4}$ in. long (green).....	\$ 10
190563	6841	“ “ Retainer.....	10
190303	6841	Field Core complete.....	2 50
190977	6841	“ “ Shield.....	50
	335B	“ “ “ Screw.....	02
190268	6840	Idler Lever.....	25
191137	—	Idler Lever complete, Nos. 1654K, 50516B, 190095, 190268 and two 190445.....	75
	701B	Idler Lever Hinge Screw.....	10
190877	6840	“ “ Spring.....	03
190095	6840	Idler Pulley complete.....	30
	50516B	“ “ “ Screw.....	20
	1654K	“ “ “ Nut.....	06
190145	6840	“ “ Washer (fibre).....	05
190982	6841	Lead, 11 in. long, with 190658.....	50
191054	6841	“ 10 in. long, with 190658.....	50
87582	6842	Machine Base Catch Spring Pin.....	03
191050	6839	Motor Bracket with 87582.....	1 25
	131D	“ “ “ Screw.....	07
	168B	“ “ “ Screw.....	06
190721	—	Name Plate.....	20
	36618	“ “ Rivet..... per 100	80
191087	—	Oil Cup Body complete, Nos. 190938 and 191088.....	40
191088	6840	Oil Cup Body.....	30
	901c	“ “ “ Set Screw.....	02
*190938	—	“ “ Spring Stop.....	10
190074	6840	“ “ Wick (felt).....	03
190075	6840	“ “ “ Spring.....	03
191010	6840	Pulley with 460c.....	30
	460c	“ “ Set Screw.....	02
190651	6839	Terminal complete.....	50
190978	6841	“ “ Cover.....	50
	335B	“ “ “ Screw.....	02
	329J	“ “ “ Screw.....	02
190139	6839	Tube filled with Singer Motor Lubricant..	15
190612	—	“ Carton (paper).....	05
190613	—	“ 190439 with 190612.....	15

TRIMMINGS FOR PORTABLE CASE SET No. 202

NO.	PLATE	NAME	EACH
25070	4386	Base Cushion Tack (rubber).....	\$ 01
56498	4386	Cover Cushion (felt).....	01
56494	4386	“ Hook.....	07

TRIMMINGS FOR SET No. 202

NO.	PLATE	NAME	EACH
56495	4386	Cover Hook Plate.....	\$ 07
56251	4386	" Lock.....	20
28076	4386	" " Escutcheon.....	02
NOTE. When ordering No. 28076 state finish.			
28233	4386	Cover Lock Key.....	07
87427	4386	" " Plate.....	07
87555	2930	" Reinforcing Plate.....	07
28088	4387	Handle (wood).....	07
50549B	4387	" Bolt.....	10
NN83J	4387	" " Nut.....	02
28229	4387	" Hinge Rivet.....	01
124307	4387	" Link.....	10
124308	---	" " 124307 with 28229 and 50549B.....	25
28231	4387	Handle Stud.....	10
124309	---	Handle complete, Nos. 28088, 28231, 87555 and two each NN83J and 124308.....	55
124318	4387	Knee Lever Support Bracket with 56493 and two round head wood screws $\frac{3}{8}$ in. No. 3.....	20
56493	4387	Knee Lever Support Bracket Cushion (leather).....	01
124335	6842	Machine Base Catch Spring with two wood Screws $\frac{1}{2}$ in. No. 7 R. H. B.....	10
87721	4386	Machine Hinge Connection.....	10
8295	4386	" " " Hinge Pin.....	01
453c	6836	" " " " " Set Screw.....	02
87722	4386	Machine Hinge Head.....	25
SS368J	4386	" " " " Screw.....	20
87572	4386	" " " " Washer.....	03
87723	---	Machine Hinge complete, Nos. SS368J, 8295, 87572, 87721 and 87722.....	60
28242	4386	Machine Rest Cushion (leather) with 5604.....	01
5604	4386	" " " " Pin.....per 100	20

KNEE CONTROL FOR PORTABLE CASE SET No. 202

NO.	PLATE	NAME	EACH
190615	6842	Connecting Plug Insert (moulded) for 190659.....	\$ 20
190616	6842	Connecting Plug Insert (moulded) for 190658.....	20

KNEE CONTROL FOR SET No. 202

NO.	PLATE	NAME	EACH
50520	6842	Connecting Plug Insert Screw (brass).....	\$ 06
190553	6842	" " " " Washer.....	03
190552	6842	" " Ferrule.....	20
190484	6842	" " Insulation Washer.....	02
190658	6843	Connecting Plug (male half) Nos. 50520, 190484, 190552, 190553 and 190616..	50
190659	6843	Connecting Plug (female half) Nos. 50520, 190484, 190552, 190553 and 190615.....	50
190657	---	Connecting Plug, 5 amp. complete, Nos. 190658 and 190659.....	1 00
190739	6842	Connecting Plug Holder with three wood screws $\frac{5}{8}$ in. No. 7 R. H. B.....	15
124337	6842	Connecting Plug Clamp with wood screw $\frac{1}{2}$ in. No. 5 R. H. B.....	10
191187	---	Controller Box.....	2 00
190990	6843	" " 191187 with 191c, 190328 and 190629.....	2 25
190991	---	Controller Box complete for 100 to 110 volts, A. C. or D. C. Motors, Nos. 21509, 24651, 50552J, 190409, 190626, 190854, 190910, 190919, 190986, 190988, 190990, 191129, 191173, two 190194, three each 50560E, 190598 and 190608.....	12 00
190992	---	Controller Box for 115 to 125 volts, A. C. or D. C. Motors, Nos. 21509, 24651, 50552J, 190409, 190626, 190855, 190910, 190919, 190986, 190988, 190990, 191129, 191173, two 190194 and three each 50560E, 190598 and 190608.....	12 50
---	---	Controller Box complete for 150 to 165 volts, A. C. or D. C. Motors, Nos. 21509, 24651, 50552J, 190409, 190626, 190856, 190910, 190919, 190986, 190988, 190990, 191129, 191173, two 190194 and three each 50560E, 190598 and 190608.....	12 50
190994	---	Controller Box complete for 200 to 220 volts, A. C. or D. C. Motors, Nos. 21509, 24651, 50552J, 190409, 190626, 190857, 190910, 190919, 190986, 190988, 190990, 191129, 191173, two 190194 and three each 50560E, 190598 and 190608.....	12 50
---	---	Controller Box complete for 230 to 250 volts, A. C. or D. C. Motors, Nos. 21509, 24651, 50552J, 190409, 190626, 190858, 190910, 190919, 190986, 190988, 190990, 191129, 191173, two 190194 and three each 50560E, 190598 and 190608.....	12 50

NO.	PLATE	NAME	EACH
		Controller Box complete for 32 volts, D. C. Motors, Nos. 21509, 24651, 50552i, 190409, 190626, 190859, 190910, 190919, 190986, 190988, 190990, 191129, 191173, two 190194 and three each 50560E, 190598 and 190608.....	\$12 50
		Controller Box complete for 50 volts, A. C. or D. C. Motors, Nos. 21509, 24651, 50552i, 190409, 190626, 190910, 190919, 190986, 190988, 190990, 191107, 191129, 191173, two 190194 and three each 50560E, 190598 and 190608.....	12 50
190328	6842	Controller Box Bushing (rubber).....	03
50559r	6842	" " Screw.....	07
191129	6843	" " Cover.....	1 00
190860	6843	" Contact Lever complete.....	50
190622		" Lever with 190628.....	2 50
190919	6843	Controller Lever complete, Nos. 190622 and 190909.....	2 50
190909	6842	Controller Lever Connecting Stud.....	05
190910	6842	" " " " Insulating Roller (micarda).....	20
190625	6842	Controller Lever Driver.....	20
190626	6842	Controller Lever Driver complete, Nos. 190625 and 190627.....	1 00
190627	6842	Controller Lever Driver Shaft.....	35
21509	6842	" " " " Collar with 207k.....	25
207k	6823	Controller Lever Driver Shaft Collar Set Screw.....	02
190409	6842	Controller Lever Hinge Stud.....	05
191c	6842	" " " " Set Screw.....	05
24651	6842	" " Spring.....	07
190628	6843	" " " Bracket.....	05
190629	6842	" " " Stud.....	15
190294	6843	" Resistance Unit for 190854.....	2 00
190295		" " " " 190855.....	2 50
190822		" " " " 190856.....	2 50
190297		" " " " 190857.....	2 50
190299		" " " " 190858.....	2 50
190677		" " " " 190859.....	2 50
191106		" " " " 191107.....	2 50
190854	6843	Controller Resistance Unit complete for 100 to 110 volts, A. C. or D. C. Motors, Nos. 190294, 190860 and 191144.....	2 50

NO.	PLATE	NAME	EACH
190855		Controller Resistance Unit complete for 115 to 125 volts, A. C. or D. C. Motors, Nos. 190295, 190860 and 191144.....	\$3 00
190856		Controller Resistance Unit complete for 150 to 165 volts, A. C. or D. C. Motors, Nos. 190822, 190860 and 191144.....	3 00
190857		Controller Resistance Unit complete for 200 to 220 volts, A. C. or D. C. Motors, Nos. 190297, 190860 and 191144.....	3 00
190858		Controller Resistance Unit complete for 230 to 250 volts, A. C. or D. C. Motors, Nos. 190299, 190860 and 191144.....	3 00
190859		Controller Resistance Unit complete for 32 volts, D. C. Motor, Nos. 190677, 190860 and 191144.....	3 00
191107		Controller Resistance Unit complete for 50 volts, A. C. or D. C. Motors, Nos. 190860, 191106 and 191144.....	3 00
191144		Controller Resistance Unit Name Plate.....	05
50560E	6842	" " " Screw.....	10
190598	6842	" " " Washer (fibre).....	03
190608	6842	Controller Resistance Unit Cushion Washer (leather).....	01
191184	6838	Knee Lever with 191185.....	1 50
*191185		" " Holder.....	75
191186	6838	Knee Lever complete, Nos. 287B, 190951 and 191184.....	2 25
190951	6838	Knee Lever Extension.....	60
287B	6842	" " " Thumb Screw.....	20
50552i	6842	" " Locking Screw.....	05
190984	6838	Lead complete from lamp socket to motor and controller box, Nos. 190355, 190562, 190985 and two 190659.....	2 50
190985		Lead, 8 ft. long, for 190984.....	50
190562		" Metallic Sleeve.....	05
190355	6838	" Plug.....	40
190986	6843	Lead complete, 5¼ in. long, for 190991, 190992 and 190994, Nos. 190658 and 190987.....	50
190987		Lead for 190986.....	05
190988	6843	Lead complete, 4 in. long, for 190991, 190992 and 190994, Nos. 190659 and 190989.....	50
190989		Lead for 190988.....	05
191173		Name Plate.....	20
190194		" " Rivet..... per 100	50

NUMERICAL LIST OF PARTS

FOR

MACHINE No. 24-62

NUMERICAL LIST OF PARTS

NO. PLATE	NAME	EACH
59d 6823	Feed Regulator Hinge Screw.....	\$ 10
66A 6822	" Forked Connection Hinge Screw.....	10
NN83d 4387	Handle Bolt Nut for 124309.....	02
87d 6819	Looper Gate Hinge Screw.....	07
97E 6823	Presser Bar Lifter Hinge Screw.....	06
131E 6822	Feed Raising Bar Adjusting Screw for 9514.....	06
131E 6822	Feed Forked Connection Adjusting Screw (large) for 9514.....	06
134d 6840	Motor Bracket Screw.....	07
168b 6840	" Screw.....	06
171E 6819	Connecting Rod Cap Screw for 34433 ..	05
175E 6822	Feed Forked Connection Adjusting Screw (small) for 9514.....	02
190d 6819	Feed Dog Screw.....	05
191c 6842	Controller Lever Hinge Stud Set Screw for 190990.....	05
193A 6823	Feed Regulator Indicator Set Screw for 22419.....	05
199d 6819	Arm Rotary Shaft Screw.....	06
207E 6823	Needle Bar Connecting Stud Clamping Screw for 9570.....	02
207k 6823	Controller Lever Driver Shaft Collar Set Screw for 24509.....	02
242d 6822	Feed Raising Bar Carrier Cap Screw..	06
249A 6824	Thread Pull-off Eyelet Screw.....	02
233b 6824	Tucker Tuck Marker Guide Rod End Screw for 26546.....	02
244E 6824	Throat Plate Screw.....	05
287b 6844	Cloth Guide Thumb Screw for 120308....	20
287b 6842	Knee Lever Extension Thumb Screw for 194486.....	20
329f 6840	Terminal Screw.....	02
330d 6824	Spool Pin Bracket Screw.....	02
335b 6819	Belt Guard Screw.....	02
335b 6819	Field Core Shield Screw.....	02
335b 6819	Terminal Cover Screw.....	02
337b 6819	Face Plate Screw.....	02
SS368f 4386	Machine Hinge Head Screw for 87723.....	20
387A 6819	Cloth Plate Screw.....	10
389b 6819	Looper Gate Frame Screw.....	06

NO.	PLATE	NAME	EACH
453c	6836	Machine Hinge Connection Hinge Pin Set Screw for 34545.....	\$ 02
460c	6840	Pulley Set Screw for 191010.....	02
462c	6823	Feed and Feed Lifting Eccentric Set Screw for 22408.....	02
462c	6823	Presser Bar Spring Bracket Set Screw for 22404.....	02
557A	6823	Spool Pin Disc Thumb Screw for 34403.....	20
557A	6823	Quilter Thumb Screw.....	20
561B	1005	Tucker Tuck Marker Guide Clamp Thumb Screw for 26516.....	10
620F	2711	Ruffler Ruffling Blade Lever Adjusting Screw for 26769.....	02
658B	1005	Tucker Tuck Guide Thumb Screw for 26516.....	07
701B	6840	Idler Lever Hinge Screw.....	10
735c	6824	Needle Bar Bushing Set Screw.....	02
735c	6824	Thread Take-up Set Screw for 34225.....	02
806A	6823	Needle Thumb Screw for 34220.....	20
812B	2711	Ruffler Driving Lever Thumb Screw for 26774.....	10
853c	6824	Thread Pull-off Pin Set Screw for 34457.....	02
904c	6840	Oil Cup Body Set Screw for 191141 and 191142.....	02
911B	2711	Ruffler Frame Screw Stud for 26516.....	05
911B	2711	Tucker Position Plate Screw Stud for 26774.....	05
934B	6824	Index Plate Screw for 34545.....	02
934B	6824	Thread Controller Plate Screw.....	02
1012E	6822	Feed Forked Connection Link Adjusting Screw for 9936.....	07
1019c	6822	Looper Set Screw for 22416.....	02
1123c	6824	Thread Controller Spring Adjusting Screw for 34407.....	02
1125B	6836	Thread Nipper Body Set Screw.....	06
1126A	6822	Feed Forked Connection Link Hinge Screw.....	20
1127B	6824	Presser Foot Thumb Screw.....	10
1167E	6824	Pulley and Thread Nipper Rod Eccentric Screw.....	07
1170H	6836	Thread Nipper Adjusting Stud Hole Plug Screw.....	20
1313E	6823	Needle Bar Connecting Link Adjusting Screw for 34170.....	02
1339B	6823	Pressure Regulating Thumb Screw.....	30
1516B	6819	Arm Rock Shaft Screw Centre (back) Nut for 34159.....	07
1518E	6822	Feed Raising Bar Carrier Hinge Pin Nut.....	06
1520D	6819	Connecting Rod Hinge Screw Nut.....	05

NO.	PLATE	NAME	EACH
1534B	6844	Hemmer Thumb Nut for 120308.....	\$ 20
1550J	6836	Spool Pin Nut for 34401.....	05
1602E	6819	Cloth Plate Bushing for 22410.....	02
1624B	6824	Thread Take-up Spring Screw Nut for 34407.....	05
1654K	6840	Idler Pulley Screw Nut for 191137.....	06
1811	6819	Arm Rock Shaft Roller and Stud for 34457.....	30
5604	4386	Machine Rest Cushion Pin for 28242. per 100.....	20
5968	6822	Feed Raising Bar Carrier Cap Screw Washer.....	02
S295	4386	Machine Hinge Connection Hinge Pin for 87723.....	01
8505	6819	Face Plate Thread Eyelet Rivet for 34243..... per 100.....	20
8505	6819	Thread Controller Spring Rivet for 34407..... per 100.....	20
9511	6822	Feed Forked Connection with 131E and 175E.....	90
9512	6822	Feed Forked Connection Hinge Pin.....	07
9514	6822	" Raising Bar with 131E.....	80
9515	6822	" " " Carrier.....	50
9517	6822	" " " Hinge Pin.....	10
9521	6823	" Regulator Friction Washer.....	01
9522	6823	Looper with 34418.....	90
9523	6819	" Gate.....	07
9525	6819	" " Hinge Screw Washer.....	01
9570	6823	Needle Bar Connecting Stud with 207E.....	50
9936	6822	Feed Forked Connection Link with 1012E.....	80
21509	6842	Controller Lever Driver Shaft Collar with 207K, for 190991, 190992 and 190994.....	25
22402A	6823	Presser Bar Lifter.....	30
22404	6823	" " Spring Bracket with 462c.....	50
22405	6823	" " " Washer.....	01
22408	6818	Arm Rotary Shaft with two 462c.....	3 00
22409	6818	Balance Wheel.....	90
22410	6820	Cloth Plate with 1602E.....	3 00
22416	6822	Feed and Feed Lifting Eccentric with 1019c.....	1 50
22417	6822	" Raising Bar Carrier Hinge Pin.....	35
22418	6823	" Regulator.....	55
22419	6823	" " Indicator with 193A.....	90
22420	6823	" " " Shaft.....	25
22421	6818	Looper Gate Frame.....	60
22423	6823	Presser Bar.....	60
22424	6823	" " Spring.....	07
22426	6818	Pulley and Thread Nipper Rod Eccentric, 2½ in. diam.....	1 15
22434	6836	Thread Nipper Adjusting Stud Washer (leather) lower, for 34563.....	01

NO.	PLATE	NAME	EACH
22435	6836	Thread Nipper Adjusting Stud Washer (leather) upper, for 34563	\$ 02
Nos. 22440 to 22442 for 34549			
22440	6836	Thread Nipper Body Cap Washer (cloth)	01
22441	6836	" " " " " (steel)	05
22442	6836	" " Disc (grooved)	20
22446	6836	" " Ring (upper) for 34549	20
22449	6836	" " Rod for 34565	1 50
24651	6842	Controller Lever Spring for 190991, 190992 and 190994	07
25070	4386	Base Cushion Tack (rubber) for Portable Case Set No. 202	01
25503	6844	Hemmer, $\frac{3}{8}$ in. hem, for 120308	1 20
25504	6844	" (wide hem) for 120308	1 20
25505	6844	Quilter	07
25525	6844	Bias Gauge	20
25537	6844	Screw Driver for 120308	20
25539	6844	Stiletto	07
25617	6844	Hemmer, $\frac{1}{8}$ in. hem, for 120308	1 20
25618B	6844	Cloth Guide for 120308	25
26090	1005	Tucker Rocking Bar for 26516	20
26092	6824	" Tuck Smoothing Spring Rivet (furnished for repairs)..... per 100	25
26095	1005	Tucker Tuck Marking Plate for 26516	20
26097	1005	" " Marker Guide Rod for 26516	07
26098	1005	" " Smoothing Spring for 26516	07
26289	1005	" Driving Lever for 26516	05
26291	1005	" Position Plate for 26516	20
26294	1005	" Tuck Guide for 26516	20
26295	1005	" " Marker Guide Clamp for 26516.....	07
26459	2711	Ruffler Spring Presser Rivet (furnished for repairs)..... per 100	25
26459	2711	Ruffler Ruffling Blade Rivet (furnished for repairs)..... per 100	25
26459	2711	Ruffler Separating Blade Rivet (furnished for repairs)..... per 100	25
26514	1005	Tucker Rocking Bar Lifting Spring for 26516.....	02
26515	1005	Tucker Frame for 26516	20
26516	1005	Tucker complete for 120308, Nos. 233B, 561B, 658B, 911B, 26090, 26095, 26097, 26098, 26289, 26291, 26294, 26295, 26514 and 26515.....	1 15
26522	2711	Ruffler Driving Lever Hinge Stud for 26774	05

NO.	PLATE	NAME	EACH
Nos. 26765 to 26773 for 26774			
26765	2711	Ruffler Driving Lever	\$ 20
26766	2711	" Frame	35
26767	2711	" Ruffling Blade	05
26768	2711	" " " Holder	20
26769	2711	" " " Lever with 620F	20
26770	2711	" " " " Hinge Stud	01
26771	2711	" Separating Blade	02
26772	2711	" " " Bracket	20
26773	2711	" Spring Presser	20
26774	2711	Ruffler complete for 35867, Nos. 812B, 911B, 26522 and 26765 to 26773.....	1 25
28076	4386	Cover Lock Escutcheon for Portable Case Set No. 202	02
28088	4387	Handle (wood) for 124309	07
28186	6837	Index Plate for 34545	20
28229	4387	Handle Hinge Rivet for 124308	01
28231	4387	" Stud for 124309	10
28233	4386	Cover Lock Key for Portable Case Set No. 202	07
28242	4386	Machine Rest Cushion (leather) with 5604, for Portable Case Set No. 202	01
28863	6844	Gatherer for 120308	20
34075	6836	Machine Position Stud for 34545	07
34170	6823	Needle Bar Connecting Link with two 1313E.....	35
34219	6819	Face Plate with 34243	35
34220	6823	Needle Bar with 806A	90
34221	6823	" " Bushing	50
34222	6824	Thread Controller Eyelet (lower) for 34407	01
34224	6824	" " Spring for 34407	20
34225	6824	" Take-up with 735c	35
34243	6819	Face Plate Thread Eyelet with 8505, for 34219.....	02
*34396	—	Arm, upper and lower (solid)	12 00
34398	6821	Feed Dog	80
34401	6824	Spool Pin Bracket with 1550J and 34460	35
34402	—	" " Disc for 34403	20
34403	6824	" " " 34402 with 557A and 34404	50
34404	—	" " " Hub for 34403	20
34405	6824	Thread Controller Eyelet (upper) for 34407	02
34406	—	" " Plate for 34407	1 40
34407	6824	Thread Controller Plate complete, Nos. 1123c, 1624b, 34222, 34224, 34405, 34406, 34411, 34412, 50303D and two 8505.....	1 80

NO.	PLATE	NAME	EACH
56494	4386	Cover Hook for Portable Case Set No. 202	\$ 07
56495	4386	“ “ Plate for Portable Case Set No. 202	07
56498	4386	Cover Cushion (felt) for Portable Case Set No. 202	01
87427	4386	Cover Lock Plate for Portable Case Set No. 202	07
87555	2930	Cover Reinforcing Plate for 124309	07
87572	4386	Machine Hinge Head Screw Washer for 87723	03
87582	6842	Machine Base Catch Spring Pin for 191050	03
87721	4386	“ Hinge Connection for 87723	10
87722	4386	“ “ Head for 87723	25
87723	—	Machine Hinge complete for Portable Case Set No. 202, Nos. SS368J, 8295, 87572, 87721 and 87722	60
120308	—	Attachment Set for 35867, Nos. 287B, 1534B, 25503, 25504, 25537, 25617, 25618B, 26516, 28863 and six needles	4 80
124307	4387	Handle Link for 124308	10
124308	—	“ “ 124307 with 28229 and 50549B, for 124309	25
124309	—	Handle complete for Portable Case Set No. 202, Nos. 28088, 28231, 87555 and two each NNS3J and 124308	55
124318	4387	Knee Lever Support Bracket with 56493 and two round head wood screws $\frac{3}{8}$ in. No. 3, for Portable Case Set No. 202	20
124335	6842	Machine Base Catch Spring with two wood screws $\frac{1}{2}$ in. No. 7 R. H. B., for Portable Case Set No. 202	10
124337	6842	Connecting Plug Clamp with wood screw $\frac{1}{2}$ in. No. 5 R. H. B., for Portable Case Set No. 202	10
190008	6839	Armature complete for B.T. 107 Motor	8 00
190008	6839	Armature complete for B.T. 147 Motor	8 00
190009	—	Armature complete for B.T. 158 Motor	8 00
190010	—	Armature complete for B.T. 110 Motor	8 00
190056	6841	Field Coil Insulation	01
190059	6839	Commutator complete	2 00
190074	6840	Oil Cup Wick (felt)	03
190075	6840	“ “ Spring	03
190076	6840	Armature Shaft Bearing Sleeve for 191141 and 191142	20
190079	6840	Brush Holder Tube for 190437 and 190551	04
190083	6840	“ “ Spring for 190551	06
190095	6840	Idle Pulley complete for 191137	30

NO.	PLATE	NAME	EACH
190194	—	Name Plate Rivet for 190991, 190992 and 190994	per 100 \$ 50
190268	6840	Idle Lever for 191137	25
190294	6843	Controller Resistance Unit for 190854	2 00
190295	—	“ “ “ “ 190855	2 50
190297	—	“ “ “ “ 190857	2 50
190299	—	“ “ “ “ 190858	2 50
190303	6841	Field Core complete	2 50
190304	6840	Armature Shaft Bearing Sleeve Cap	20
190328	6842	Controller Box Bushing (rubber) for 190990	03
190354	6839	Brush Lead, $6\frac{1}{4}$ in. long (black) for 190437	10
190355	6838	Lead Plug for 190984	40
190356	6839	Field Coil Lead, $6\frac{3}{4}$ in. long (green)	10
190409	6842	Controller Lever Hinge Stud for 190991, 190992 and 190994	05
190437	—	Brush Holder Tube 190079 with 190354, for 191141	20
190439	6839	Tube, filled with Singer Motor Lubricant, for 190613	15
190445	6840	Idle Pulley Washer (fibre) for 191137	05
190484	6842	Connecting Plug Insulation Washer for 190658 and 190659	02
190547	6840	Brush Holder Tube Insulation for 190551 and 191141	20
190548	6840	Brush Holder Tube Cap for 190551	05
190551	—	Brush Holder complete, Nos. 190079, 190083, 190547, 190548 and 190782	45
190552	6842	Connecting Plug Ferrule for 190658 and 190659	20
190553	6842	Connecting Plug Insert Screw Washer for 190658 and 190659	03
190559	6840	End Cover (pulley end) Lead Bushing for 191142	20
190562	—	Lead Metallic Sleeve for 190984	05
190563	6841	Field Coil Retainer	10
190598	6842	Controller Resistance Unit Screw Washer (fibre) for 190991, 190992 and 190994	03
190608	6842	Controller Resistance Unit Cushion Washer (leather) for 190991, 190992 and 190994	01
190612	—	Tube Carton (paper) for 190613	05
190613	—	“ 190439 with 190612	15
190615	6842	Connecting Plug Insert (moulded) for 190659	20
190616	6842	Connecting Plug Insert (moulded) for 190658	20
190622	—	Controller Lever with 190628, for 190919	2 50

NO.	PLATE	NAME	EACH
190625	6842	Controller Lever Driver for 190626	\$ 20
190626	6842	Controller Lever Driver complete for 190991, 190992 and 190994, Nos. 190625 and 190627	1 00
190627	6842	Controller Lever Driver Shaft for 190626	35
190628	6843	" " Spring Bracket for 190622	65
190629	6842	" " Stud for 190990	15
190651	6839	Terminal complete	50
190657	---	Connecting Plug, 5 amp., complete for Portable Case Set No. 202, Nos. 190658 and 190659	1 00
190658	6843	Connecting Plug (male half) Nos. 50520, 190484, 190552, 190553 and 190616, for 190657, 190982, 190986 and 191054	50
190659	6843	Connecting Plug (female half) Nos. 50520, 190484, 190552, 190553 and 190615, for 190657, 190984 and 190988	50
190677	---	Controller Resistance Unit for 190859	2 50
190721	---	Name Plate	20
190739	6842	Connecting Plug Holder with three wood screws $\frac{5}{8}$ in. No. 7 R.H.B., for Portable Case Set No. 202	15
190782	6840	Brush (carbon) for 190551	14
190822	---	Controller Resistance Unit for 190856	2 50
190854	6843	Controller Resistance Unit complete for 100 to 110 volts, A. C. or D. C. Motors, for 190991, Nos. 190294, 190860 and 191144	2 50
190855	---	Controller Resistance Unit complete for 115 to 125 volts, A. C. or D. C. Motors, for 190992, Nos. 190295, 190860 and 191144	3 00
190856	---	Controller Resistance Unit complete for 150 to 165 volts, A. C. or D. C. Motors, Nos. 190822, 190860 and 191144	3 00
190857	---	Controller Resistance Unit complete for 200 to 220 volts, A. C. or D. C. Motors, for 190994, Nos. 190297, 190860 and 191144	3 00
190858	---	Controller Resistance Unit complete for 230 to 250 volts, A. C. or D. C. Motors, Nos. 190299, 190860 and 191144	3 00
190859	---	Controller Resistance Unit complete for 32 volts, D. C. Motor, Nos. 190677, 190860 and 191144	3 00
190860	6843	Controller Contact Lever complete for 190854 to 190859 and 191107	50

NO.	PLATE	NAME	EACH
190877	6840	Idler Lever Spring	\$ 03
190890	---	Field Coil (lower) for B.T. 147 Motor	90
190909	6842	Controller Lever Connecting Stud for 190919	05
190910	6842	Controller Lever Connecting Stud Insulating Roller (micarda) for 190991, 190992 and 190934	20
190919	6843	Controller Lever complete for 190991, 190992 and 190994, Nos. 190622 and 190909	2 50
*190938	---	Oil Cup Spring Stop for 191087	10
190951	6838	Knee Lever Extension for 191186	60
190976	6839	Belt complete, Nos. 190980 and 190981	30
190977	6841	Field Core Shield	50
190978	6841	Terminal Cover	50
190980	---	Belt, size $\frac{3}{2}$ in. length $11\frac{7}{8}$ in., for 190976	25
190981	---	" Hook for 190976	10
190982	6841	Lead, 11 in. long, with 190658	50
190984	6838	Lead complete from lamp socket to motor and controller box, for Portable Case Set No. 202, Nos. 190355, 190562, 190985 and two 190659	2 50
190985	---	Lead, 8 ft. long, for 190984	50
190985	6843	Lead complete, $5\frac{1}{4}$ in. long, for 190991, 190992 and 190994, Nos. 190658 and 190987	50
190987	---	Lead for 190986	05
190988	6843	Lead complete, 4 in. long, for 190991, 190992 and 190994, Nos. 190659 and 190989	50
190989	---	Lead for 190988	05
190990	6843	Controller Box 191187 with 191c, 190328 and 190629, for 190991, 190992 and 190994	2 25
190991	---	Controller Box complete for 100 to 110 volts, A. C. or D. C. Motors, for Portable Case Set No. 202, Nos. 21509, 24651, 50552j, 190409, 190626, 190854, 190910, 190919, 190986, 190988, 190990, 191129, 191173, two 190194 and three each 50560E, 190598 and 190608	12 00
190992	---	Controller Box for 115 to 125 volts, A. C. or D. C. Motors, for Portable Case Set No. 202, Nos. 21509, 24651, 50552j, 190409, 190626, 190855, 190910, 190919, 190986, 190988, 190990, 191129, 191173, two 190194 and three each 50560E, 190598 and 190608	12 50

NO.	PLATE	NAME	EACH
190994	-----	Controller Box complete for 200 to 220 volts, A.C. or D.C. Motors, for Portable Case Set No. 202, Nos. 21509, 21651, 50552j, 190409, 190626, 190857, 190910, 190919, 190986, 190988, 190990, 191129, 191173, two 190191 and three each 50560e, 190598 and 190608.....	\$12 50
191010	6840	Pulley with 460e.....	30
191050	6839	Motor Bracket with 87582.....	1 25
191054	6841	Lead, 10 in. long, with 190658.....	50
191087	----	Oil Cup Body complete, Nos. 190938 and 191088.....	40
191088	6840	Oil Cup Body for 191087.....	30
191097	6840	Armature Thrust Washer (fibre).....	01
191098	6840	“ “ “ (peerless paper).....	01
191106	----	Controller Resistance Unit for 191107.....	2 50
191107	----	Controller Resistance Unit complete for 50 volts, A.C. or D.C. Motors, Nos. 190860, 191106 and 191144.....	3 00
191124	6839	End Cover (commutator end) for 191141.....	2 00
191125	6839	“ “ (pulley end) for 191142.....	2 00
191129	6843	Controller Box Cover for 190991, 190992 and 190994.....	1 00
191137	----	Idle Lever complete, Nos. 1654k, 50516h, 190095, 190268 and two 190445.....	75
191138	6841	Field Coil (upper) for B.T. 107 Motor.....	90
191139	6841	“ “ (lower) for B.T. 107 Motor.....	90
191140	----	“ “ (upper) for B.T. 147 Motor.....	90
191141	----	End Cover (commutator end) complete, Nos. 904c, 190076, 190437, 191124 and two each 50518c and 190547.....	3 30
191142	----	End Cover (pulley end) complete, Nos. 904c, 190076, 190559 and 191125.....	2 50
191144	----	Controller Resistance Unit Name Plate for 190854 to 190859 and 191107.....	05
191161	----	Field Coil (lower) for B.T. 158 Motor.....	90
191173	----	Name Plate for 190991, 190992 and 190994.....	20
191184	6838	Knee Lever with 191185, for 191186.....	1 50
*191185	----	“ “ Holder for 191184.....	75
191186	6838	Knee Lever complete, for Portable Case Set No. 202, Nos. 287b, 190951 and 191184.....	2 25
191187	----	Controller Box for 190990.....	2 00
191232	----	Field Coil (upper) for B.T. 110 Motor.....	90
191233	----	“ “ (lower) for B.T. 110 Motor.....	90
191234	----	“ “ (upper) for B.T. 158 Motor.....	90

ILLUSTRATIONS OF PARTS
FOR
MACHINE No. 24-62

PLATE 1005—FULL SIZE

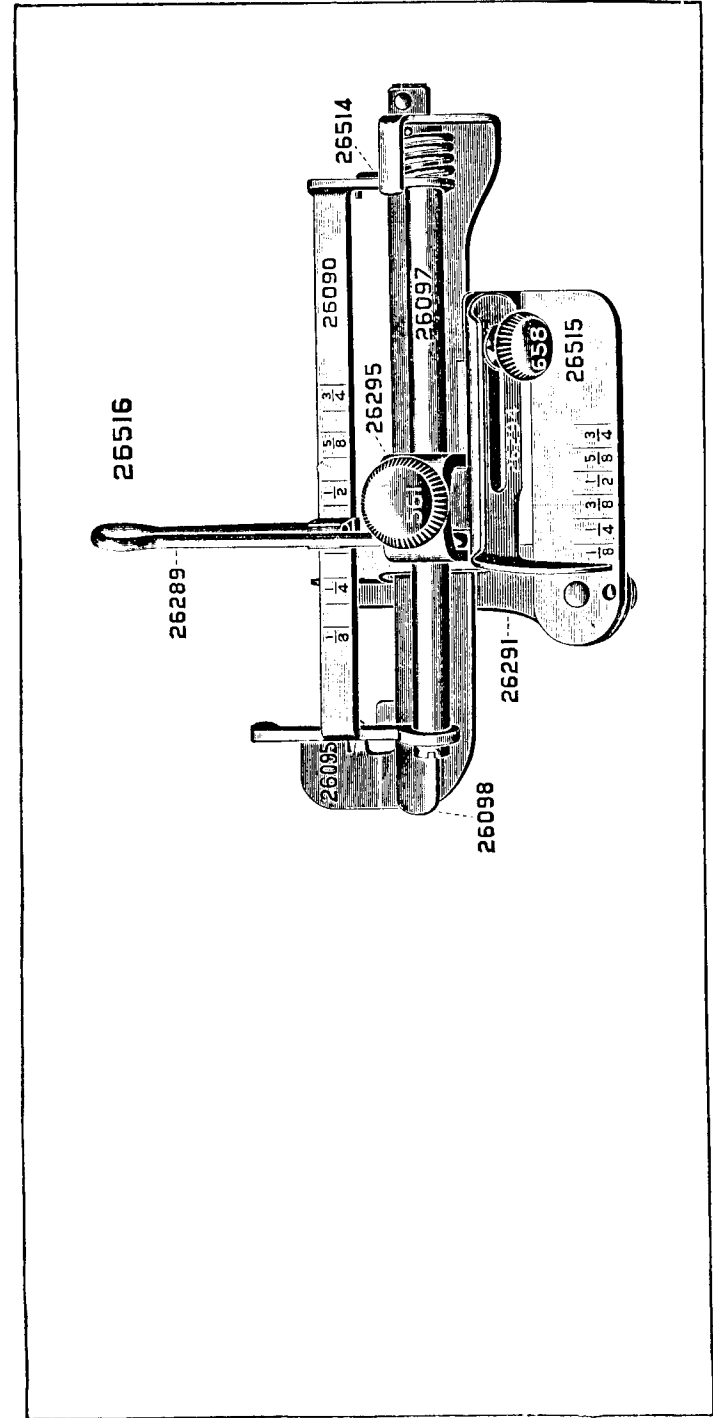


PLATE 2711—FULL SIZE

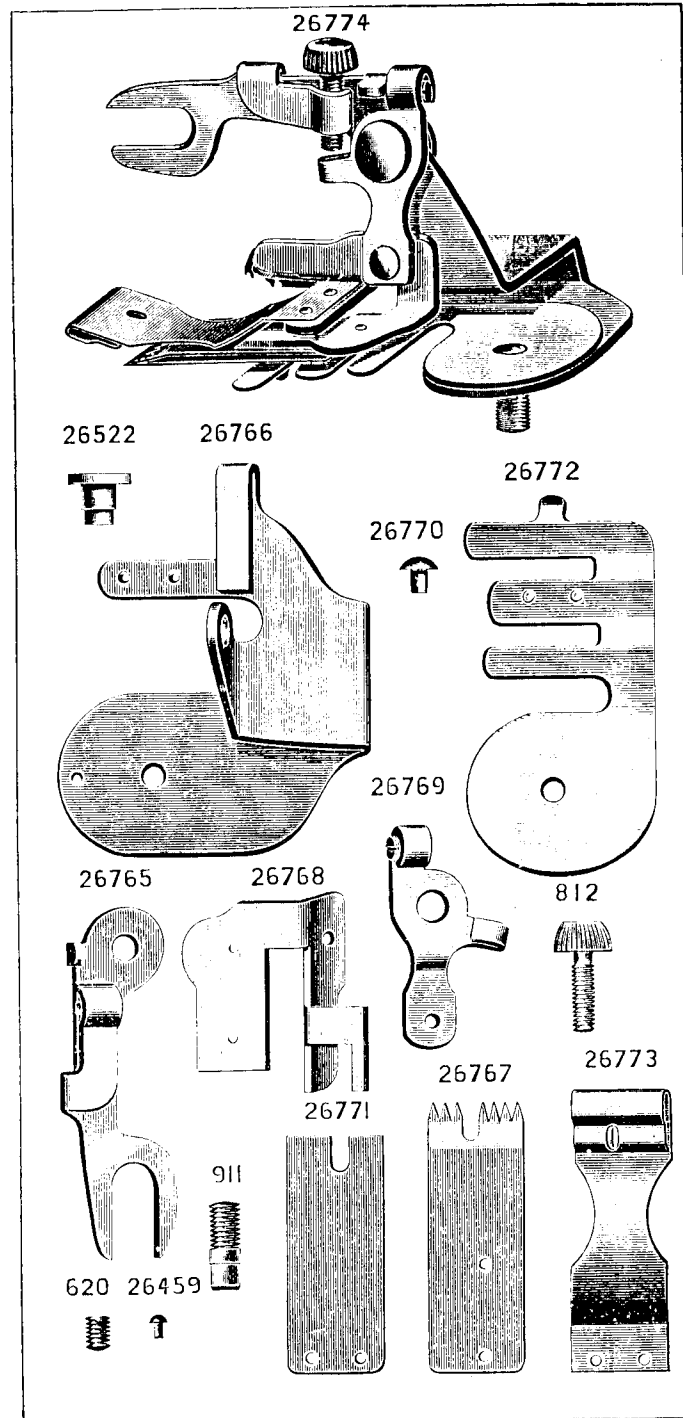


PLATE 2930—ONE-HALF SIZE

87555

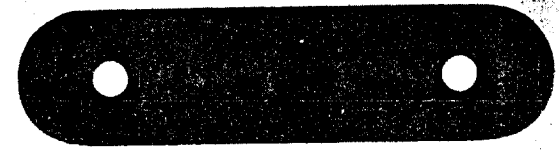


PLATE 4386—FULL SIZE

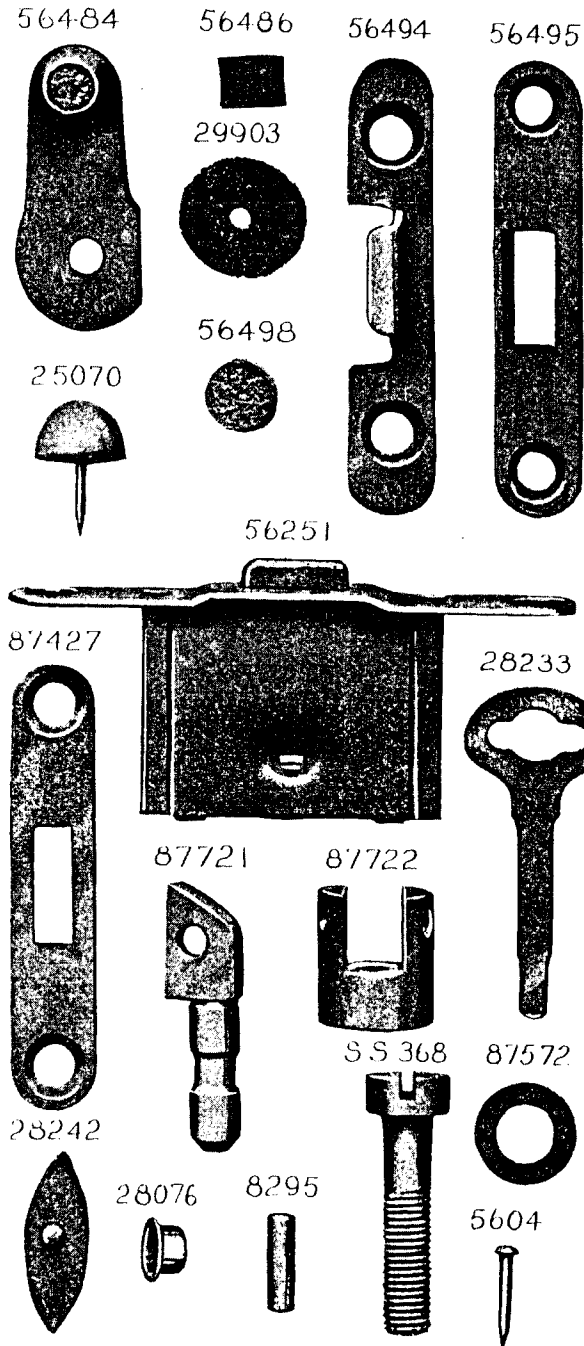


PLATE 4387—FULL SIZE

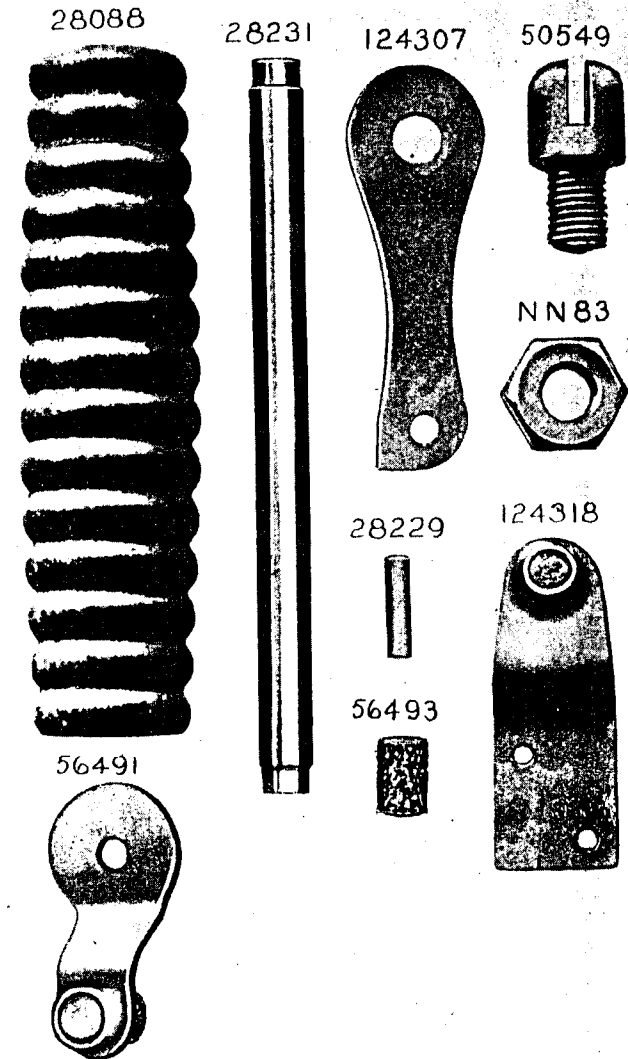


PLATE 6818—ONE-HALF SIZE

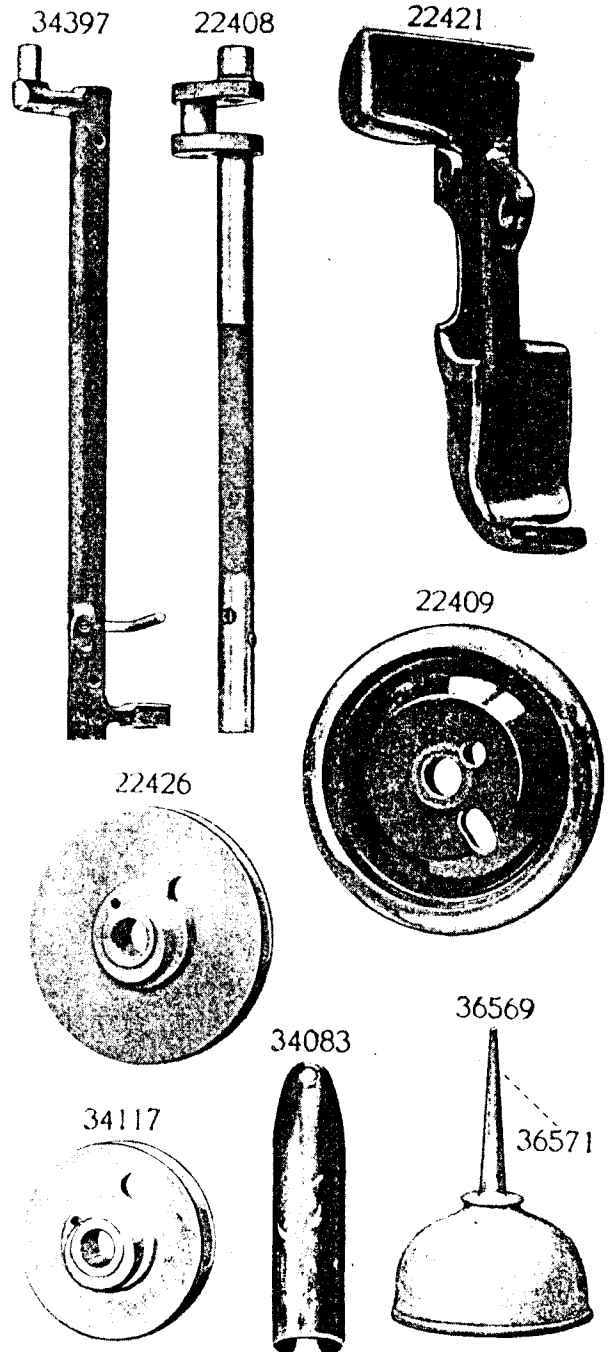


PLATE 6819—FULL SIZE

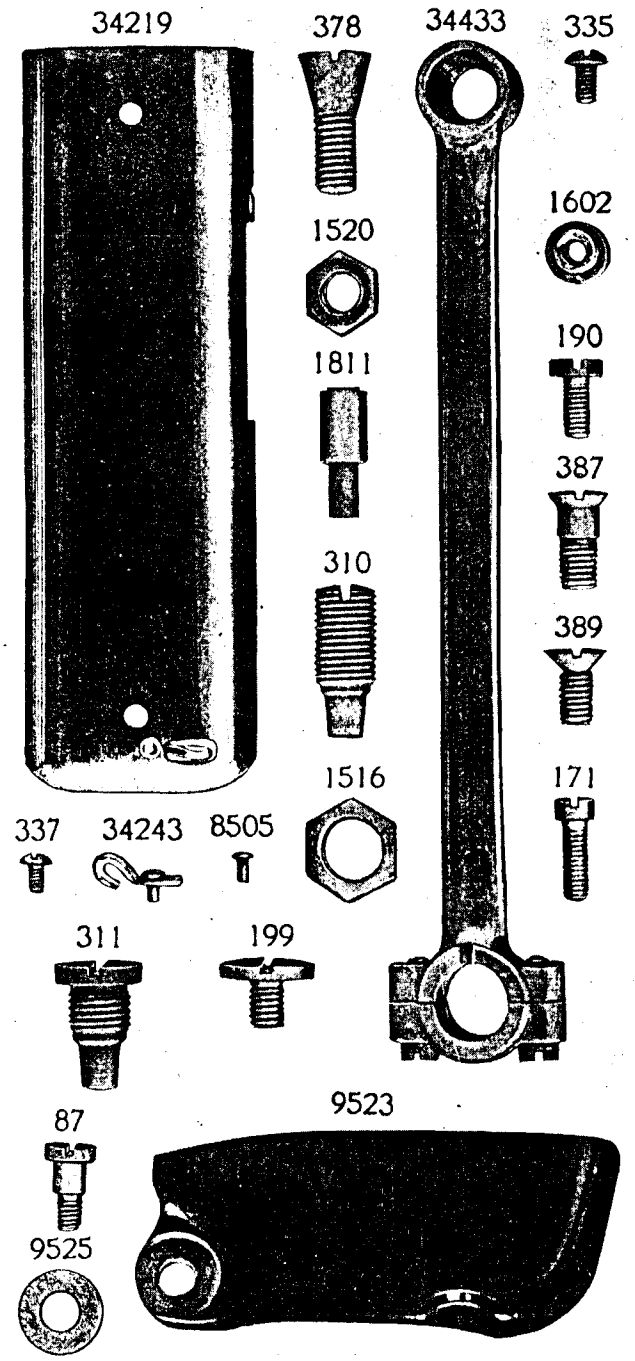


PLATE 6820—ONE-HALF SIZE

22410

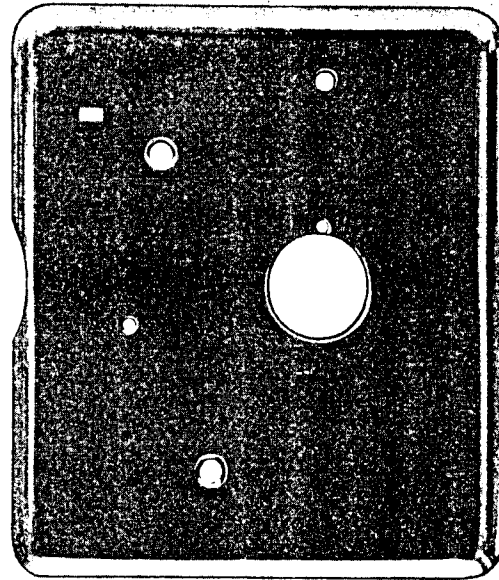
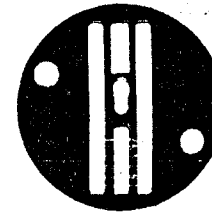


PLATE 6821—FULL SIZE

34398



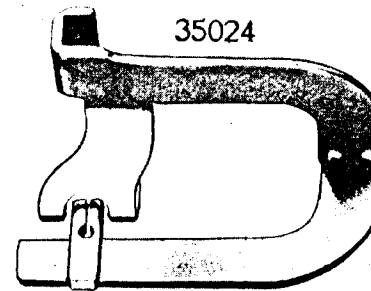
34413



34421



35024



36782



PLATE 6822—FULL SIZE

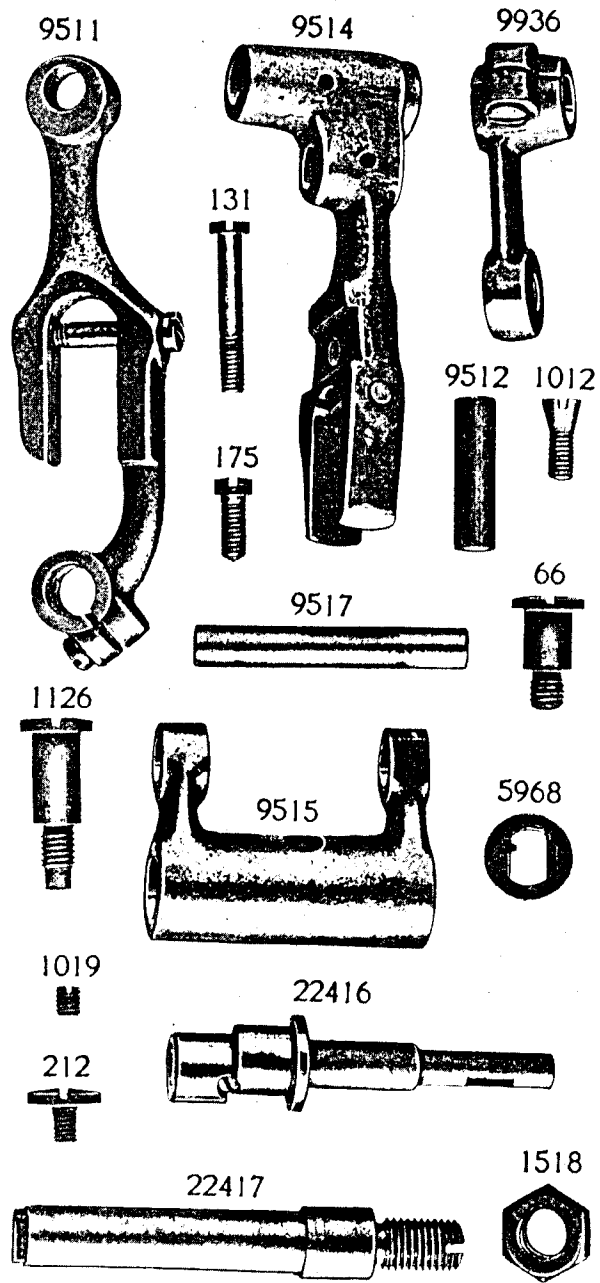


PLATE 6823—FULL SIZE

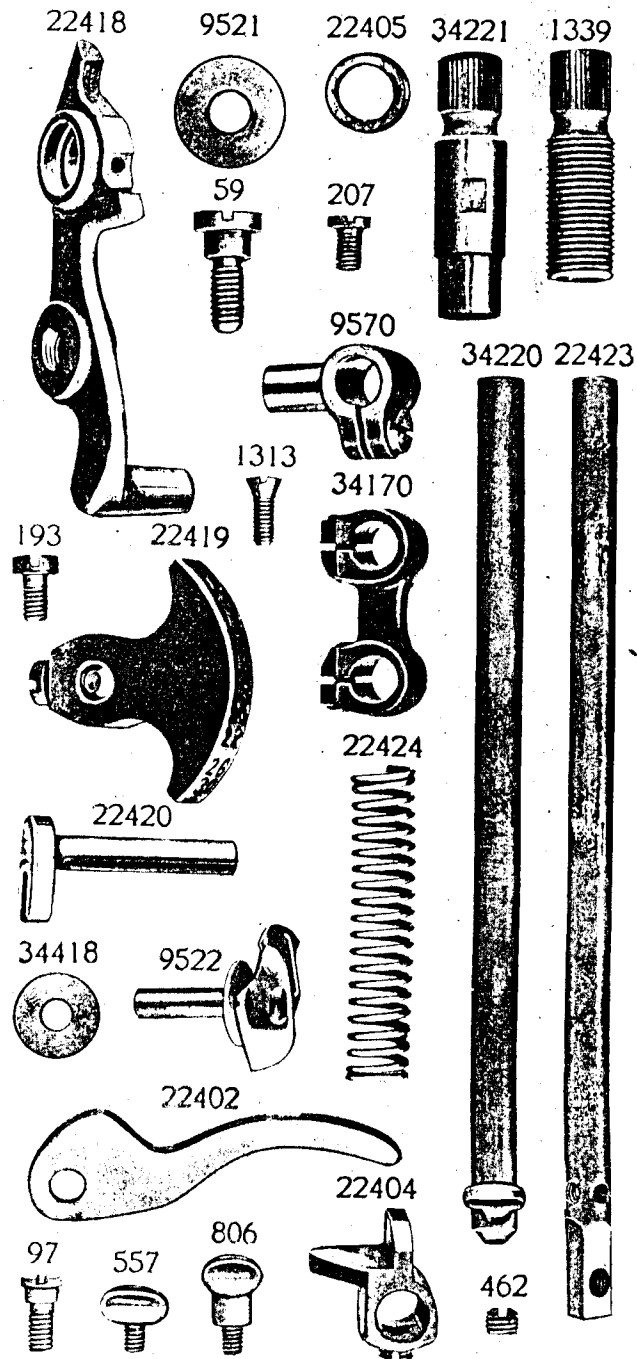


PLATE 6824—FULL SIZE

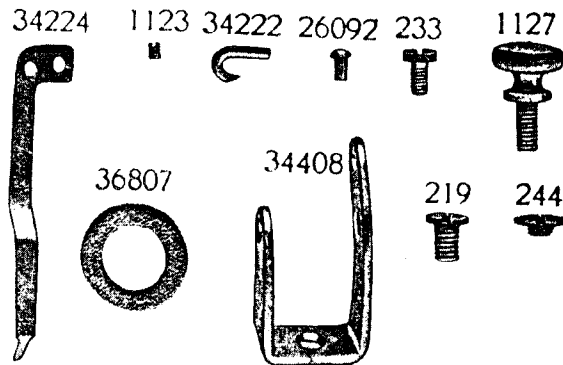
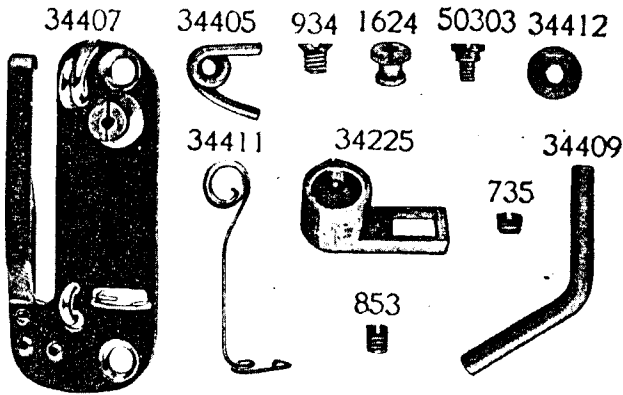
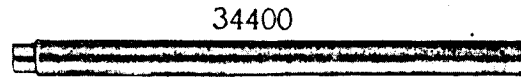
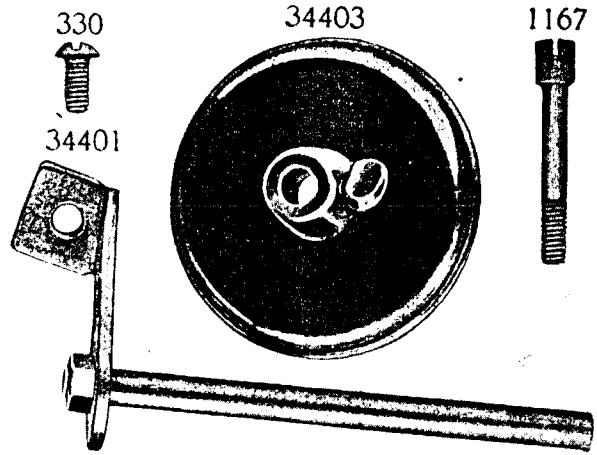


PLATE 6834—ONE-HALF SIZE

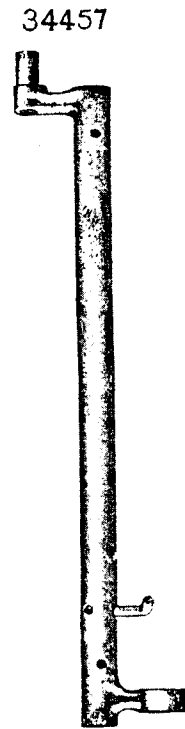


PLATE 6836—FULL SIZE

34460 22449 34566 34564 34562 1170

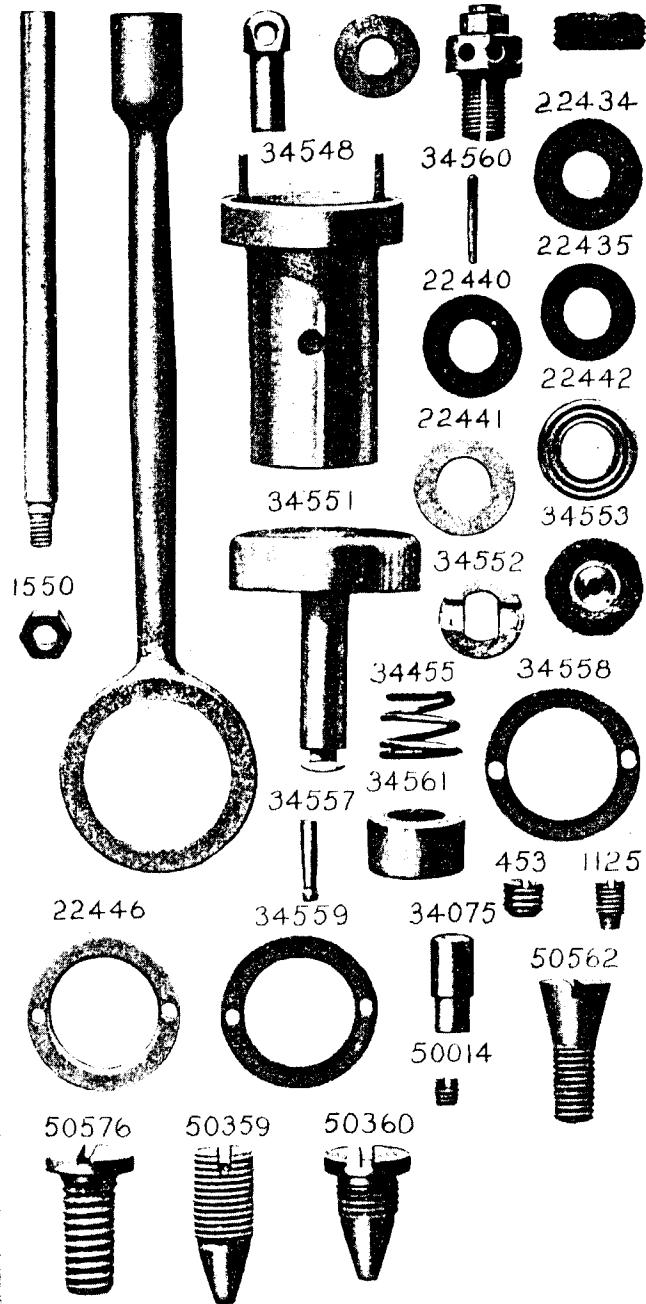
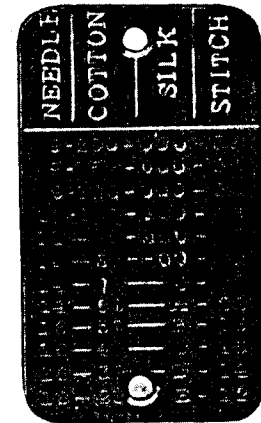


PLATE 6837—FULL SIZE

34546



28186



34447



36866

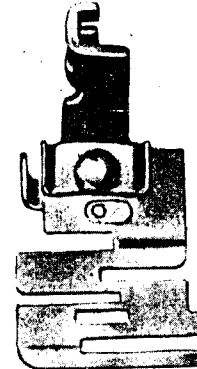
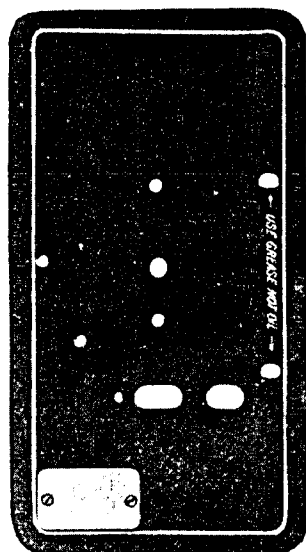
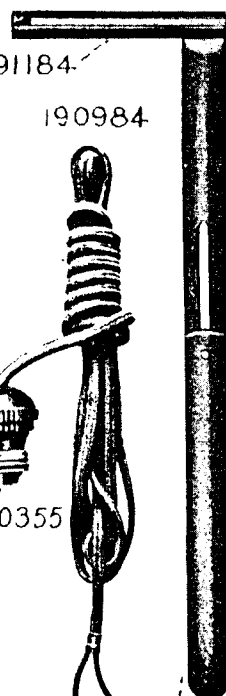


PLATE 6838—ONE-FOURTH SIZE

34545

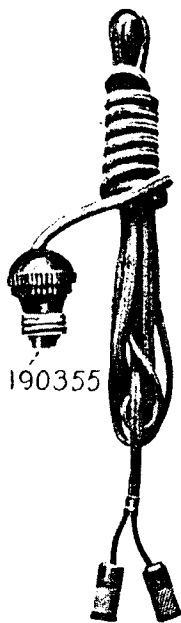


191186



191184

190984



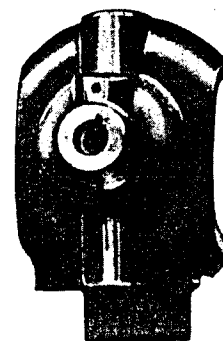
190355

190659

190951

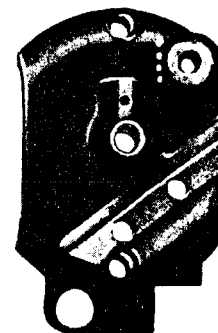
PLATE 6839—ONE-HALF SIZE

191124



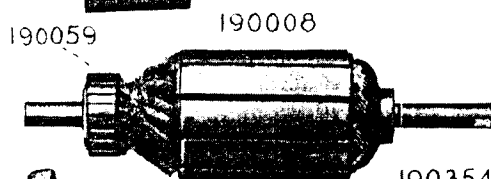
190059

191125

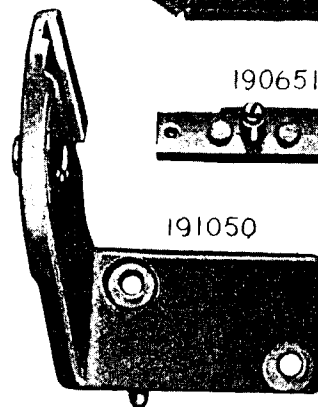


190008

190439



190354 190356



191050

190651



190976

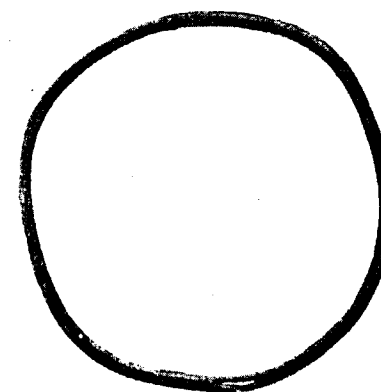


PLATE 6840—FULL SIZE

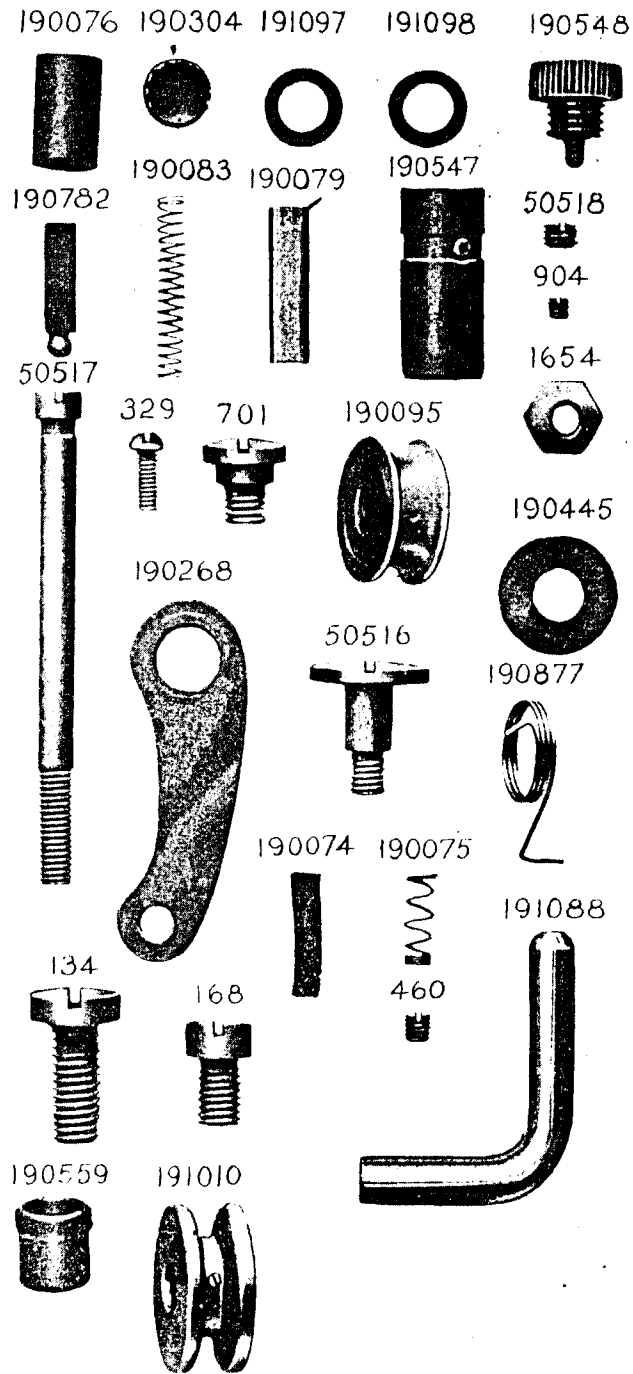


PLATE 6841—ONE-HALF SIZE

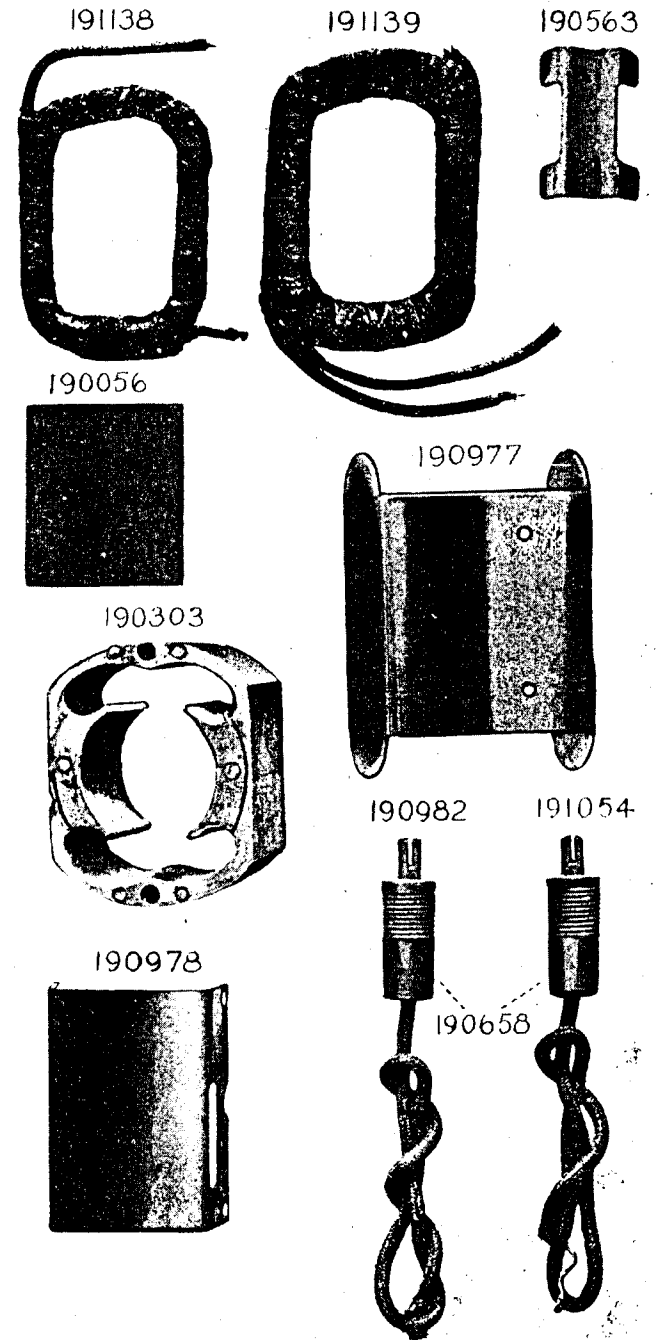


PLATE 6842—FULL SIZE

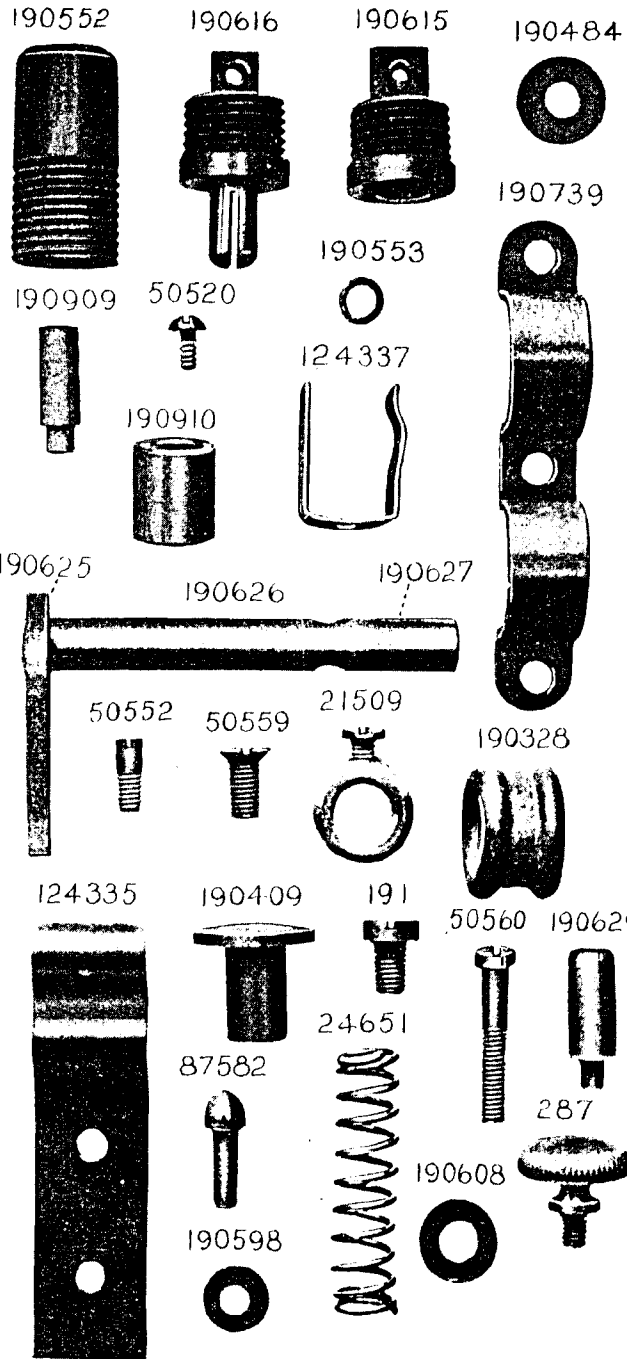


PLATE 6843—ONE-HALF SIZE

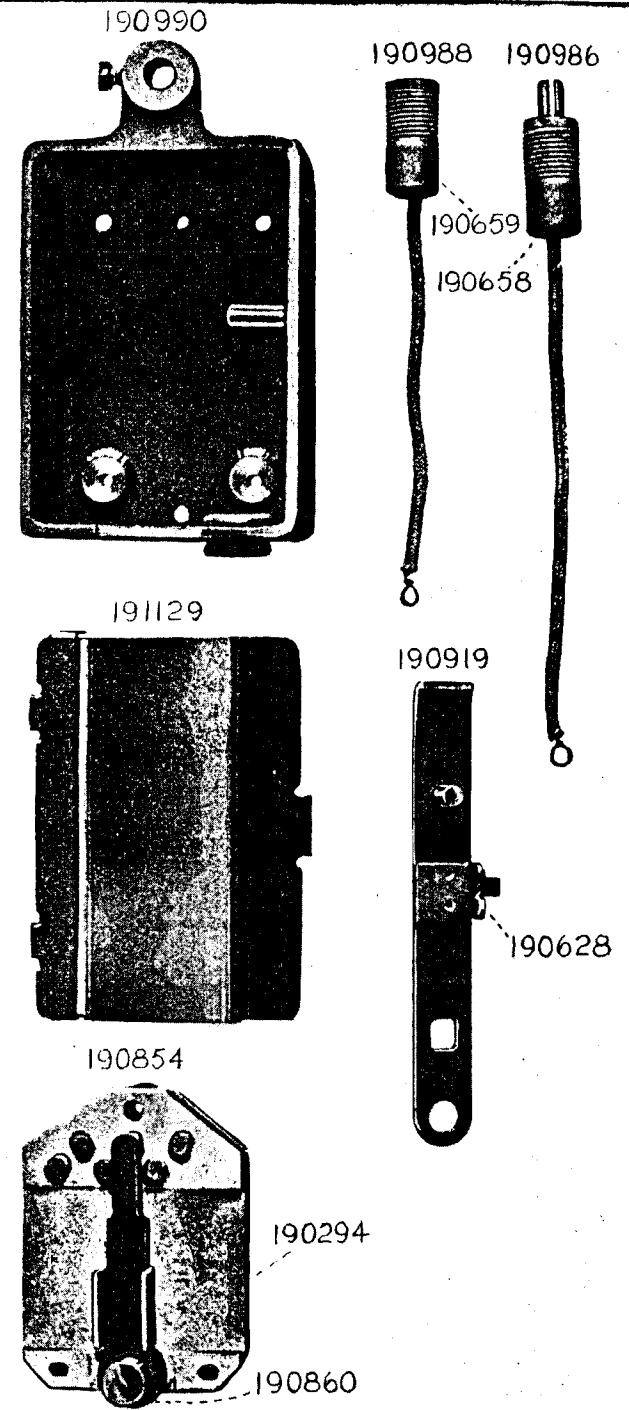


PLATE 6844—FULL SIZE

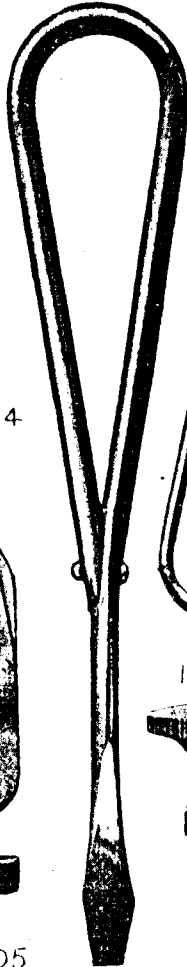
25503



25617



25537



25539



287



25504



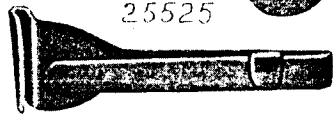
28863



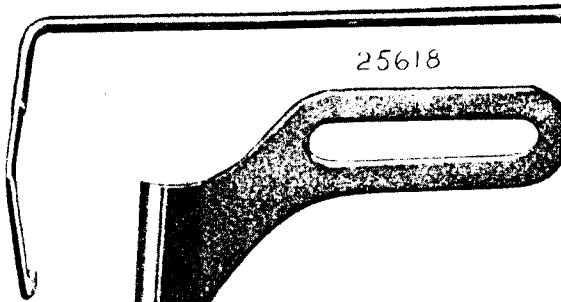
1534



25525



25505



25618

