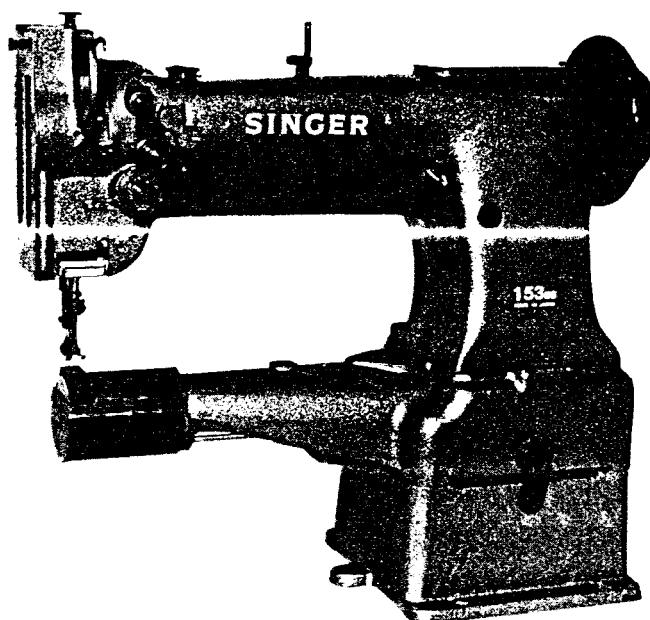


SINGER*

PARTS LIST

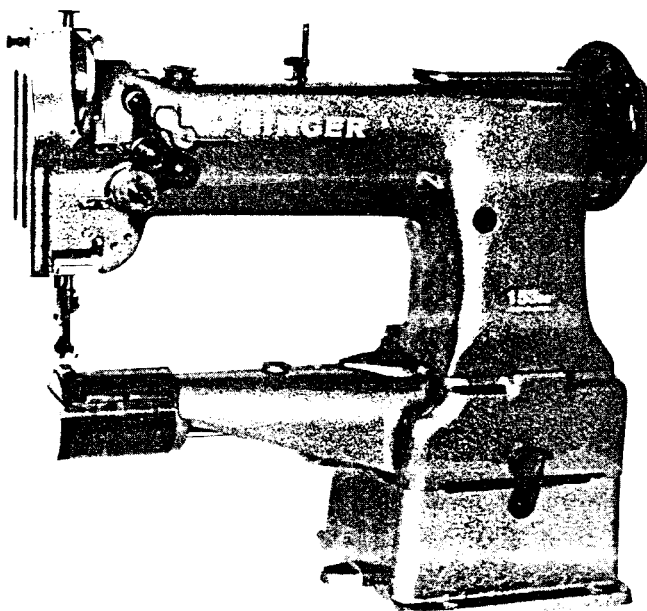
MODELS 153B1, 153B8, 153B8B

CYLINDRICAL BED MACHINES



INDEX

	Page
Thread take up lever, needle bar for all models	1
天秤・針棒関係	
Arm shaft, feeding mechanism for 153B8	2
上軸・送り機構関係	
Lifting lever, face plate, slide plate	3
弓、面板、差し板、ベース関係	
Presser bar, lifting rock shaft, vibrating presser foot for 153B8	4
押え棒・横軸・中押え関係	
Hook driving shaft, rotating hook, timing belt for all models	5
下軸、カマ関係	
Thread tension, feed driving rock shaft, feeder, needle plate	6
糸掛、糸調子、送り竿関係	
Accessories	7
附属関係	
Reverse stitch mechanism for 153B8B	8
Special parts for 153B1	12
153B1専用部品	
Belt guard	13
ベルトカバー	

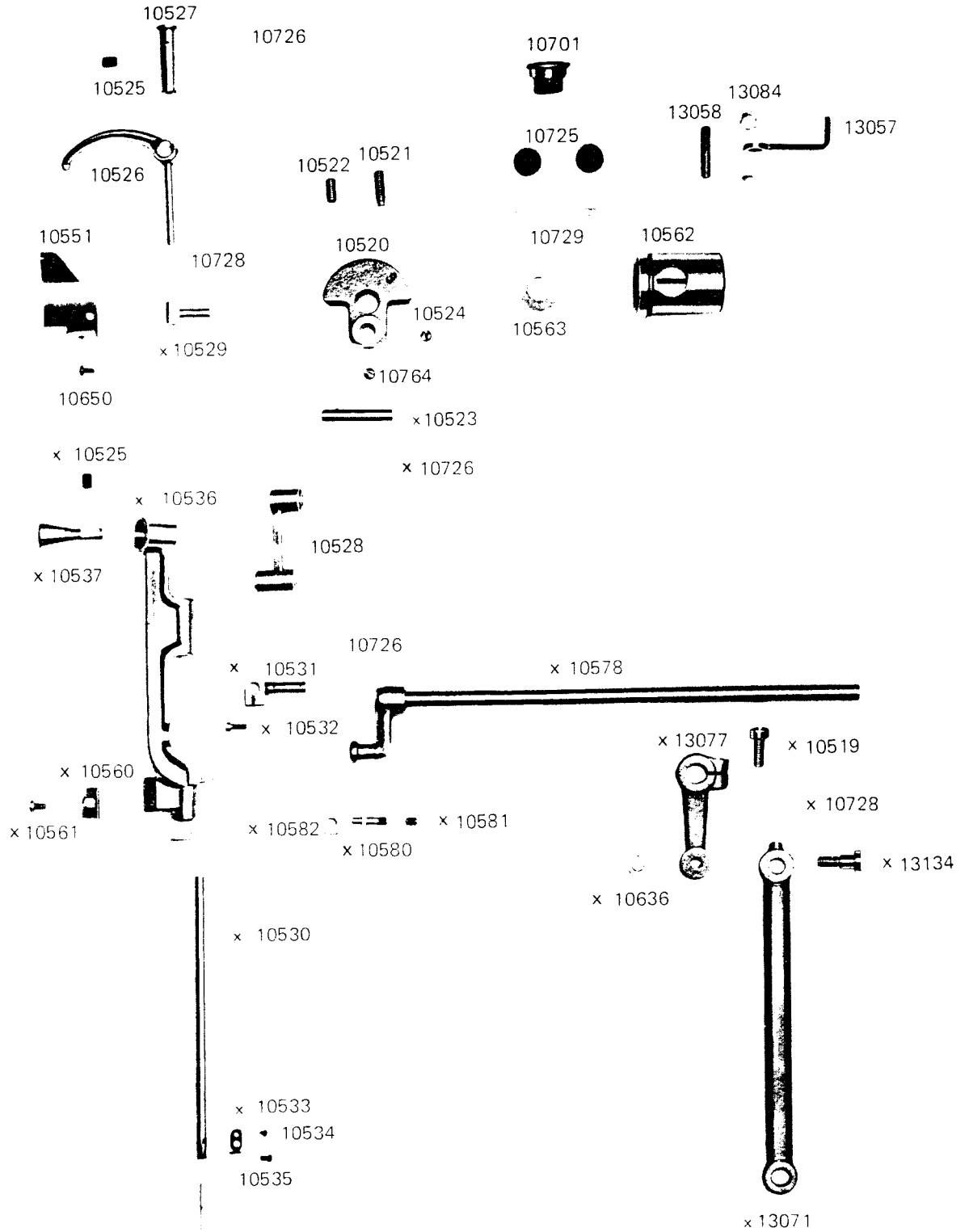


153B8

1

天秤・針棒関係

THREAD TAKE UP LEVER, NEEDLE BAR, ETC.



Cat. No. 3355

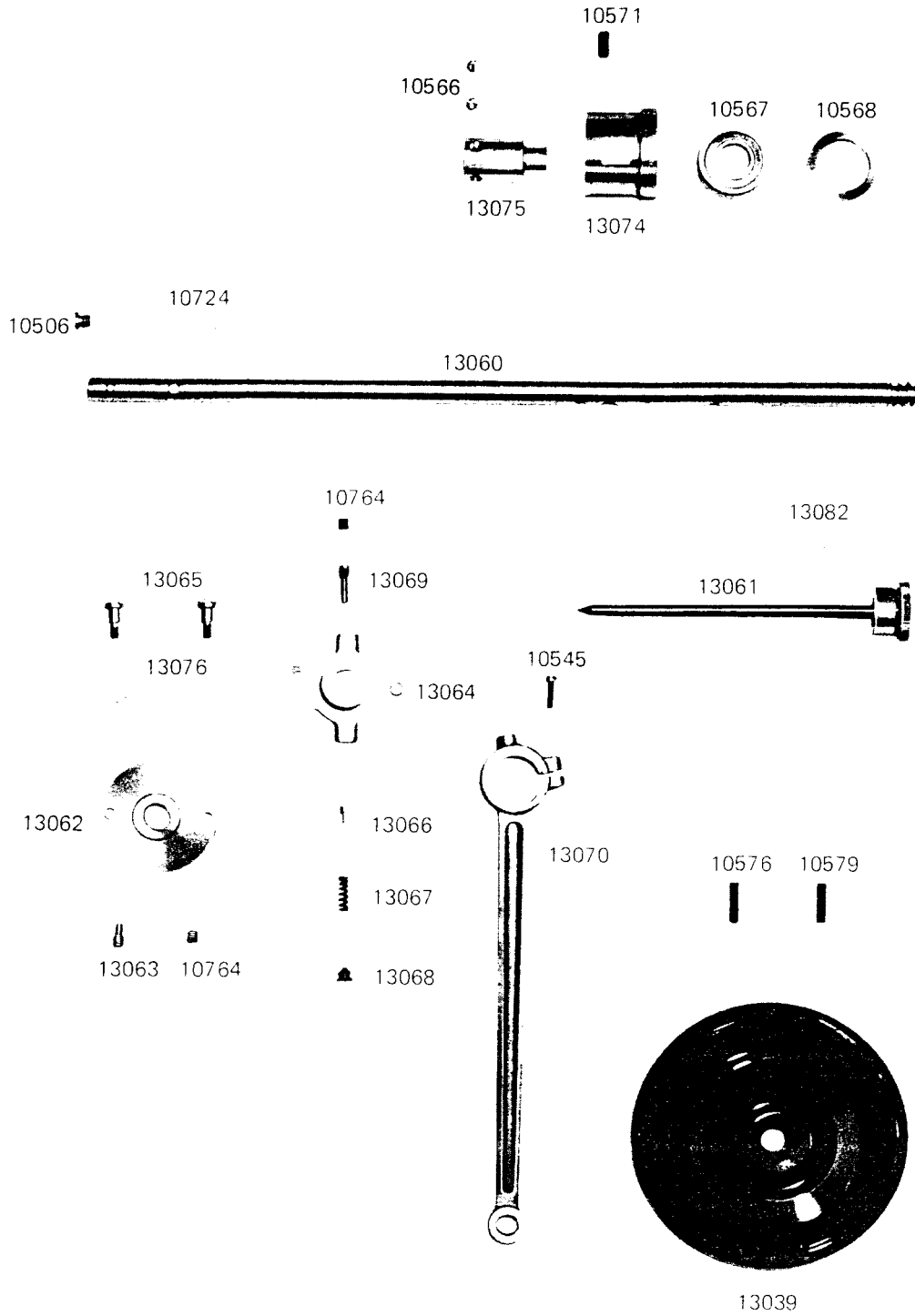
NOTE! WHEN ORDERING PARTS
PREFIX ALL NUMBERS BY
CS, EXAMPLE CS—

Parts marked X are not necessary for 153B1

10/14 10/14

ARM SHAFT, FEEDING MECHANISM
FOR 153B8

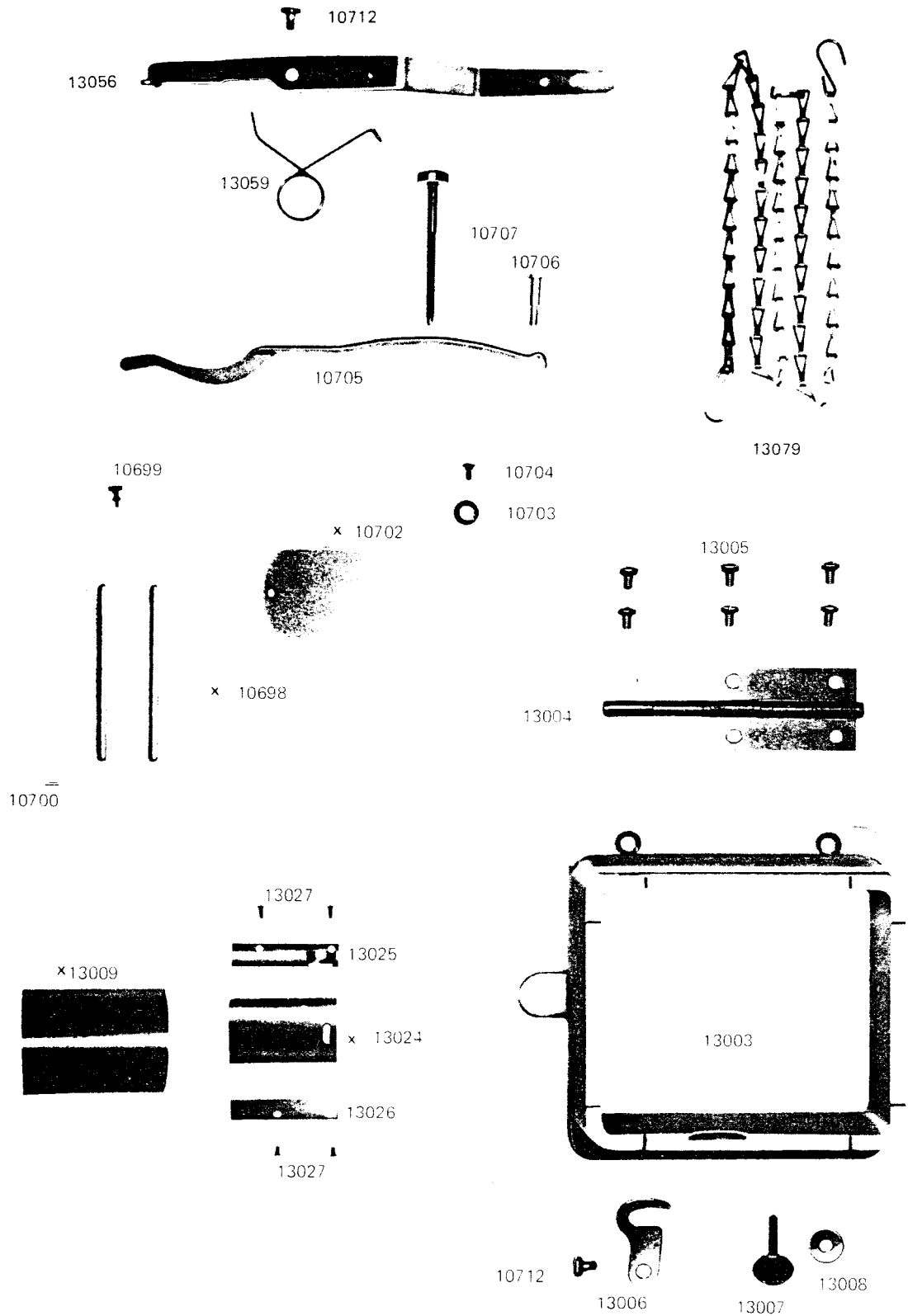
2



NOTE! WHEN ORDERING PARTS PREFIX ALL NUMBERS BY CS, EXAMPLE CS_

3

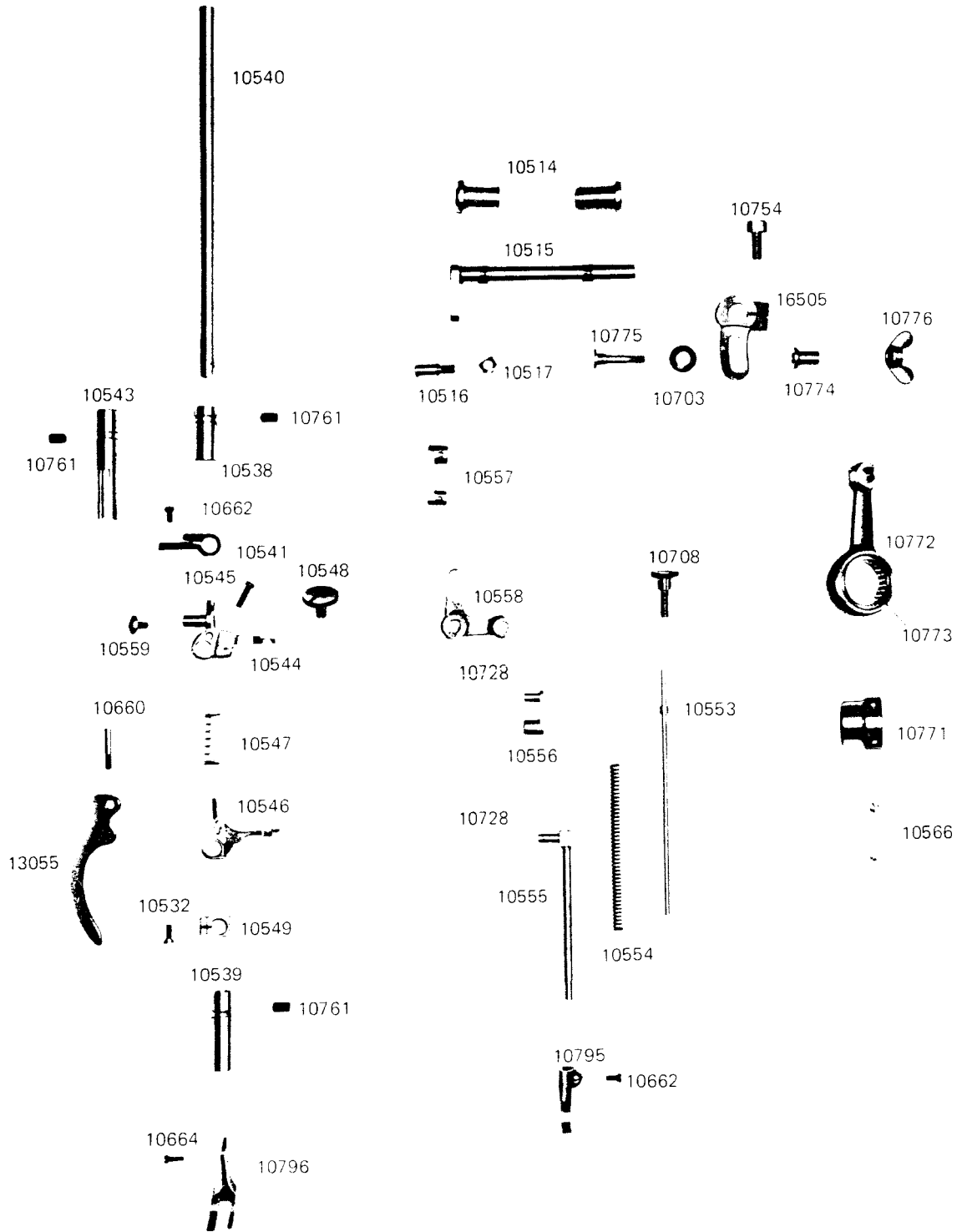
弓、面板、差し板、ベース関係 LIFTING LEVER, FACE PLATE, SLIDE PLATE



NOTE! WHEN ORDERING PARTS PREFIX ALL NUMBERS BY CS, EXAMPLE CS___

Parts marked X are not necessary for 153B1

PRESSER BAR, LIFTING ROCK SHAFT, VIBRATING PRESSER FOR 153B8

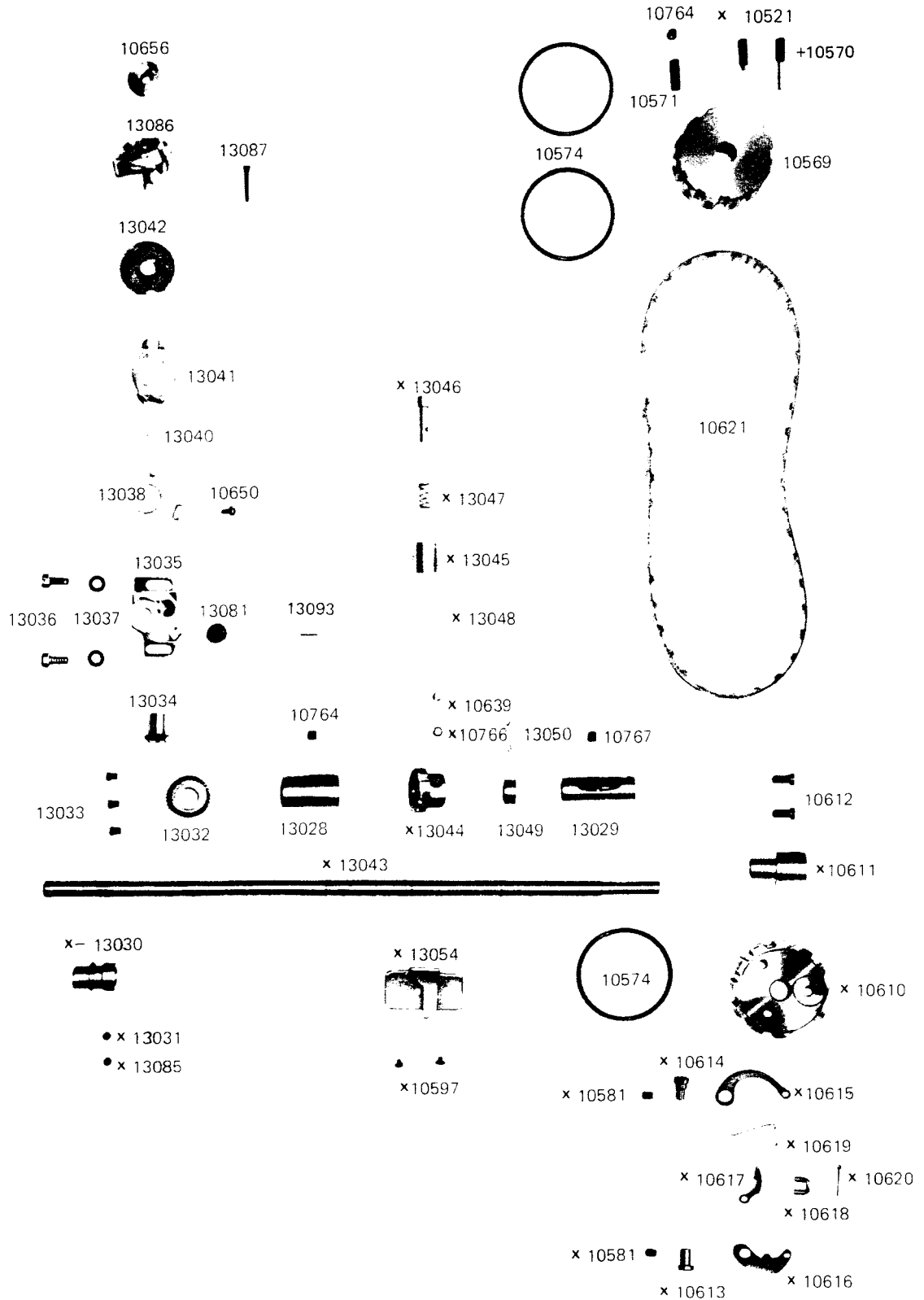


NOTE! WHEN ORDERING PARTS PREFIX ALL NUMBERS BY CS, EXAMPLE CS_____

5

下軸・カマ関係

HOOK DRIVING SHAFT, ROTATING HOOK, TIMING BELT



NOTE! WHEN ORDERING PARTS PREFIX ALL NUMBERS BY CS, EXAMPLE CS ___

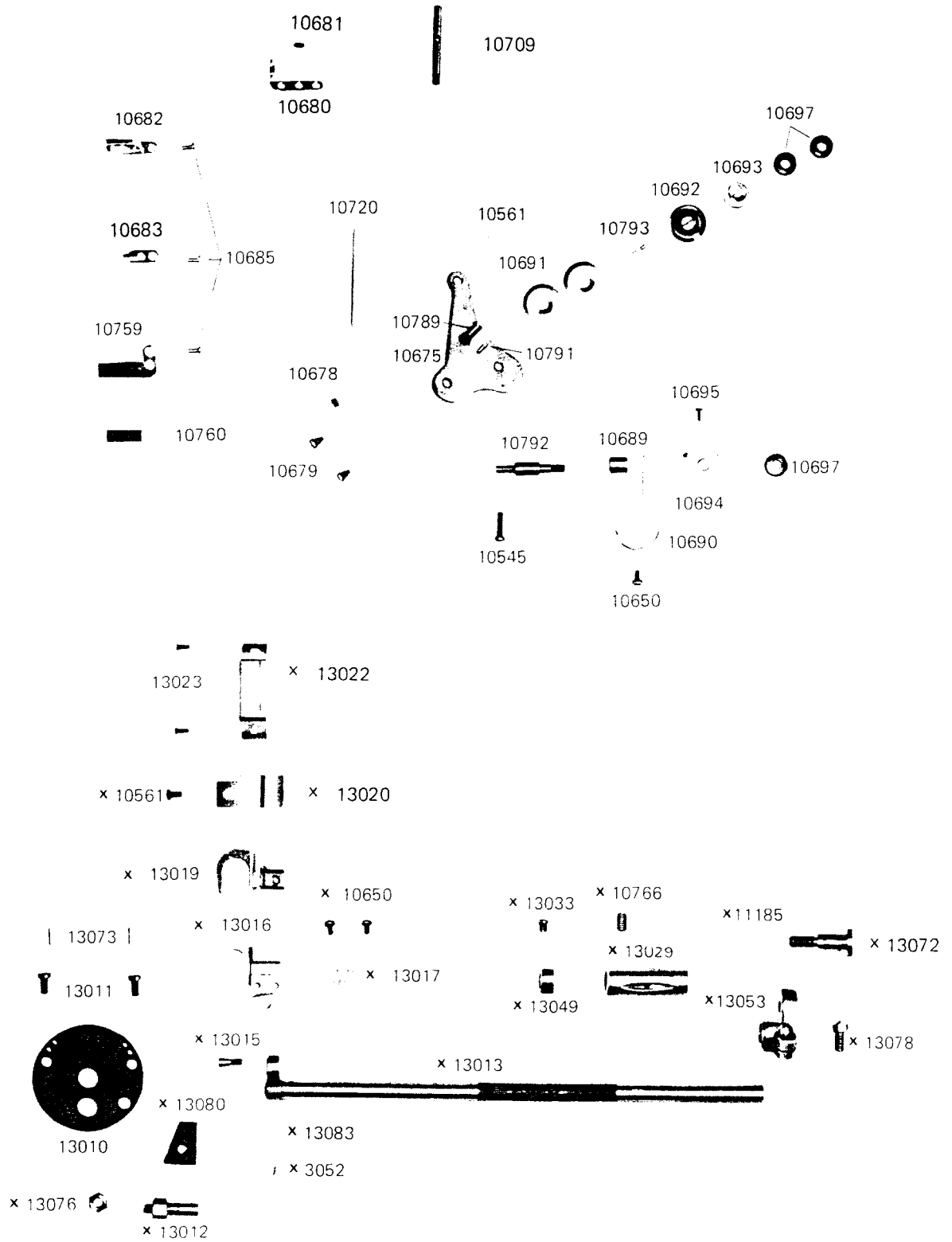
Parts marked X are not necessary for 153B1

Parts marked + is for only 153B8B

※153B1 部品表

糸掛、糸調子、送り竿関係

THREAD TENSION, FEED DRIVING ROCK SHAFT, FEEDER,
NEEDLE PLATE



NOTE! WHEN ORDERING PARTS PREFIX ALL NUMBERS BY CS, EXAMPLE CS ____

Parts marked X are not necessary for 153B1

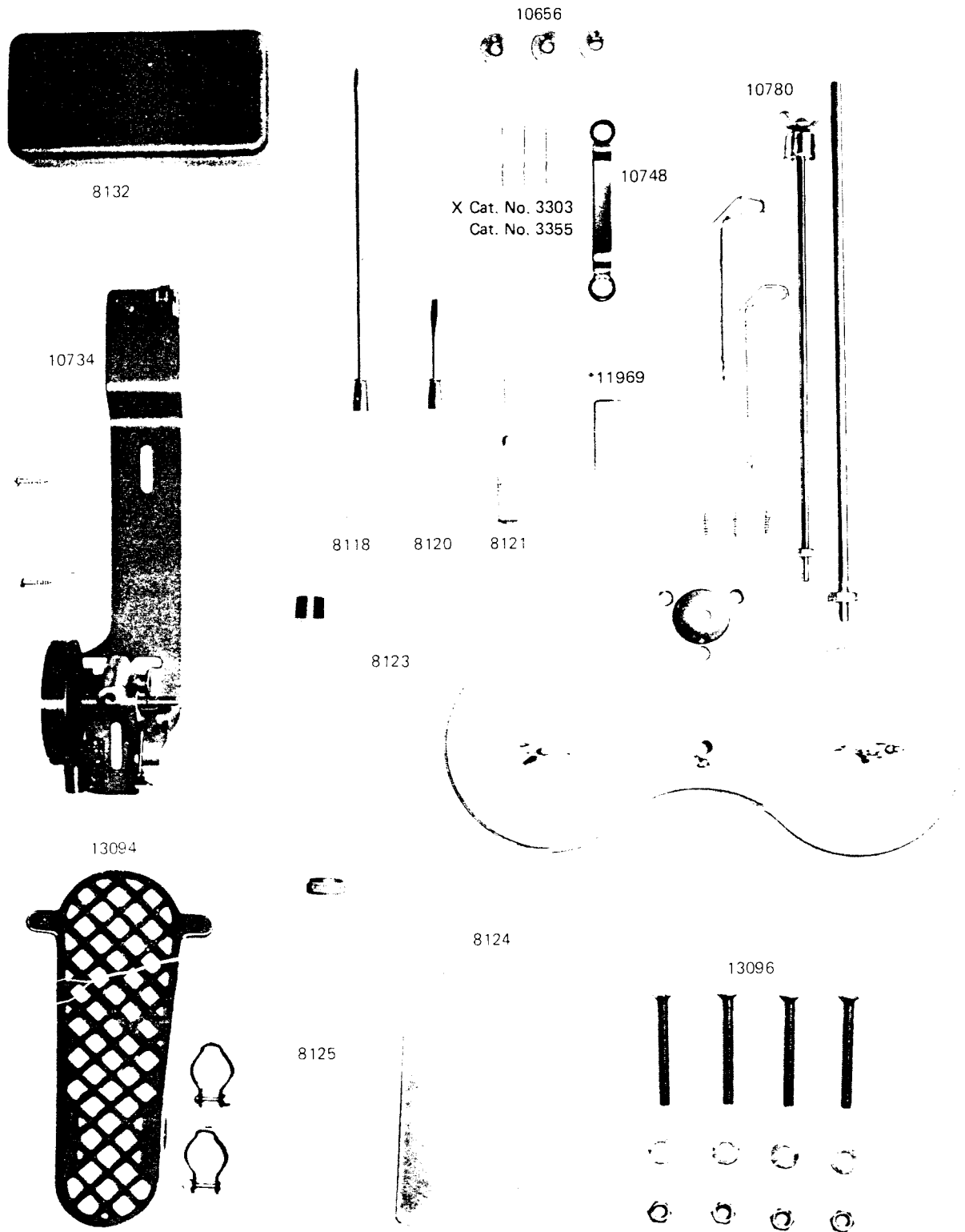
1111 1112

7

附屬關係

ACCESSORIES

BELT GUARD (OPTIONAL) 13425C FOR 153B1, 13088C FOR 153B8



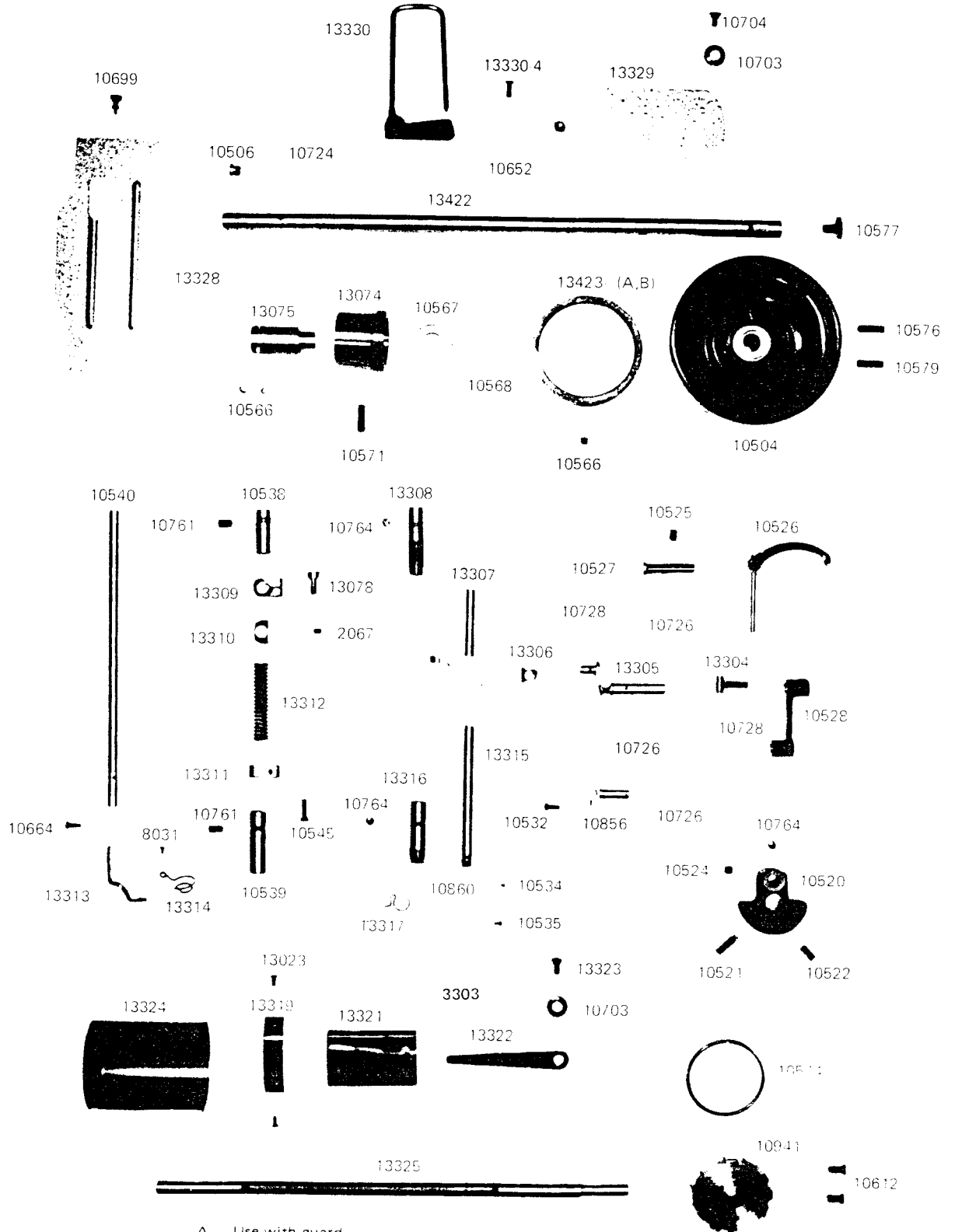
Part marked * is used for only 153B8
Parts marked X is used for only 153B1

CS-153B1

NOTE! WHEN ORDERING PARTS PREFIX ALL NUMBERS BY CS, EXAMPLE CS__

1 専用部品

SPECIAL PARTS FOR 153B1



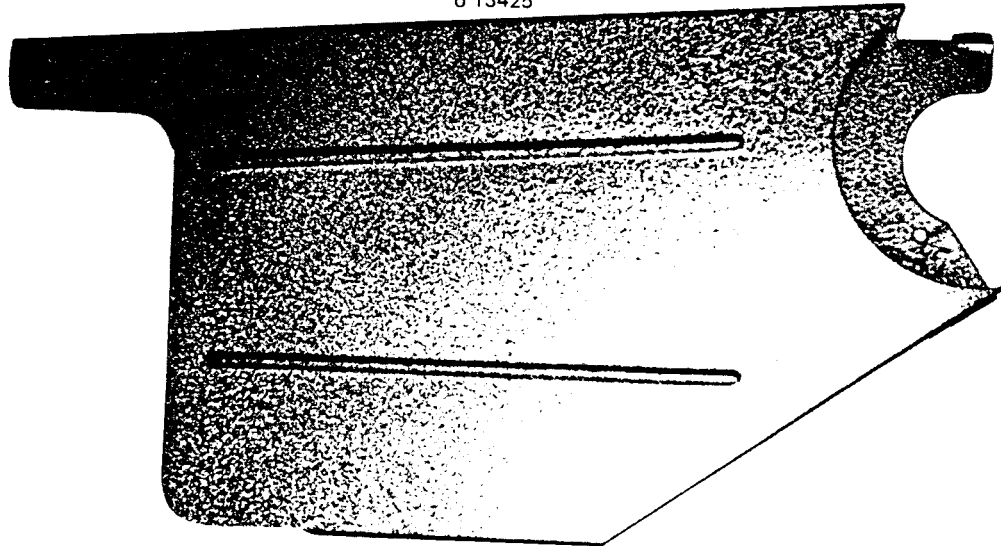
A ... Use with guard
 NOTE! 13423 B ... Use without guard
 NOTE! WHEN ORDERING PARTS PREFIX ALL NUMBERS BY CS, EXAMPLE CS_

9

ベルトガード
BELT GUARD

BELT GUARD COMPLETE
13425C FOR 153B1
13088C FOR 153B8

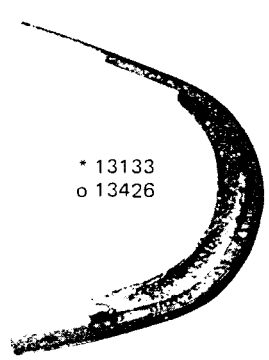
* 13132
o 13425



o 10559
o 11162

6339

o 50103 o 50099 o 14024
o 10427
* 11142 * 10561



* 13133
o 13426

NOTE! WHEN ORDERING PARTS PREFIX ALL NUMBERS BY CS, EXAMPLE CS___

Parts marked o are for 153B1 only
Parts marked * are for 153B8 only