

SINGER

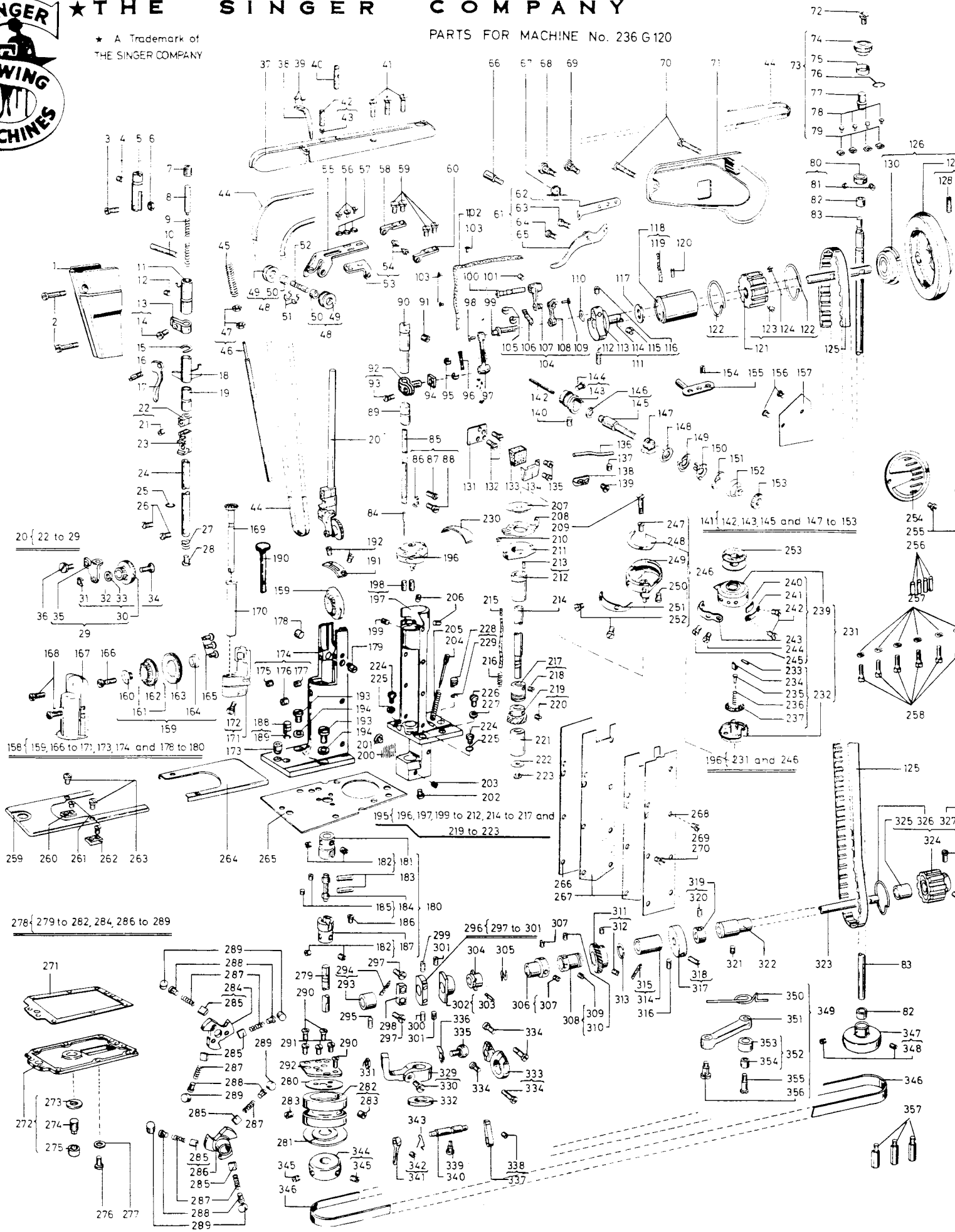
236G120,122,124,125,130,131,132



★ THE SINGER COMPANY

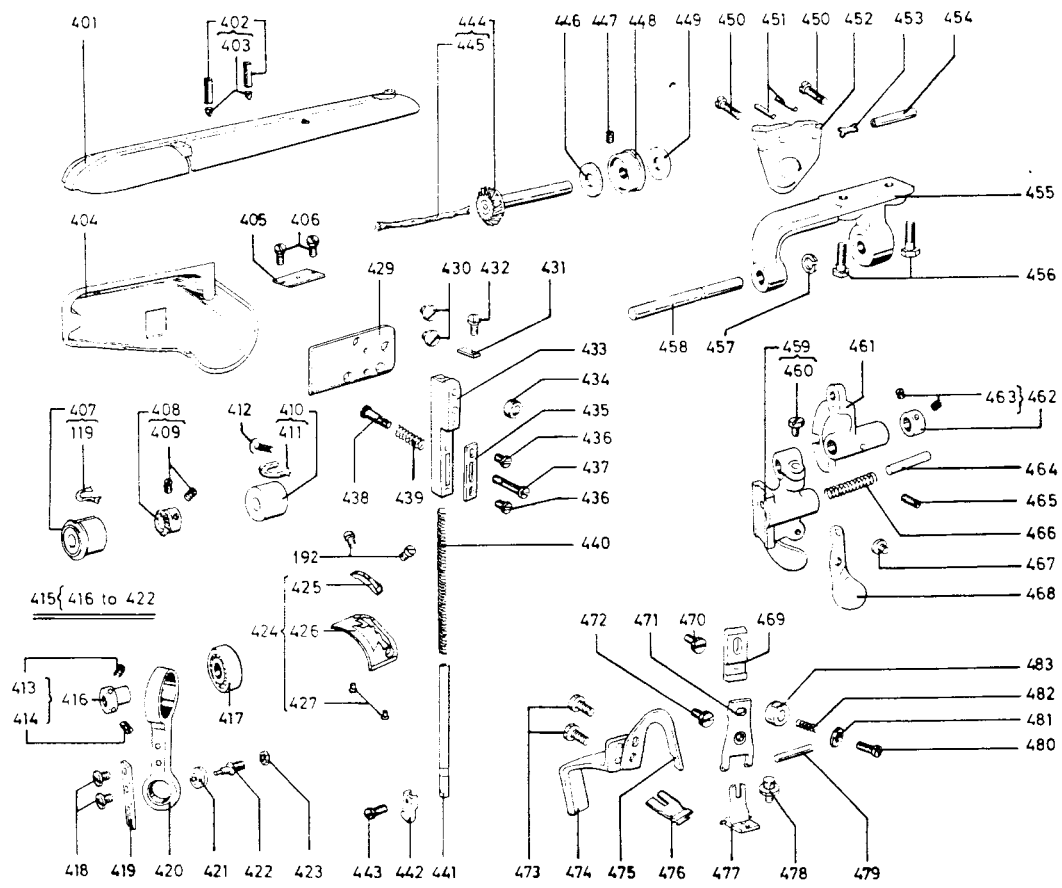
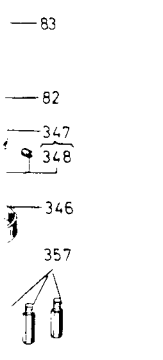
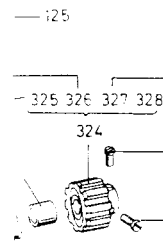
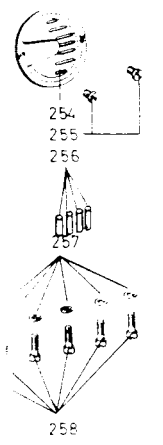
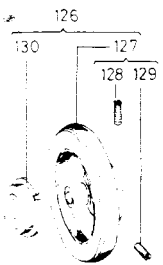
★ A Trademark of THE SINGER COMPANY

PARTS FOR MACHINE No. 236 G-120



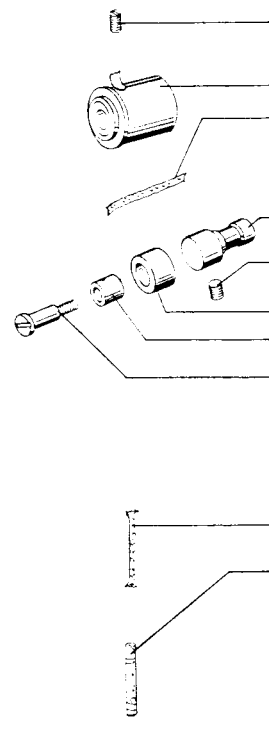
PARTS FOR MACHINE No. 236 G124

Same as Machine No. 236 G120 with the following exceptions.



PARTS FOR MACHINE No. 236 G120

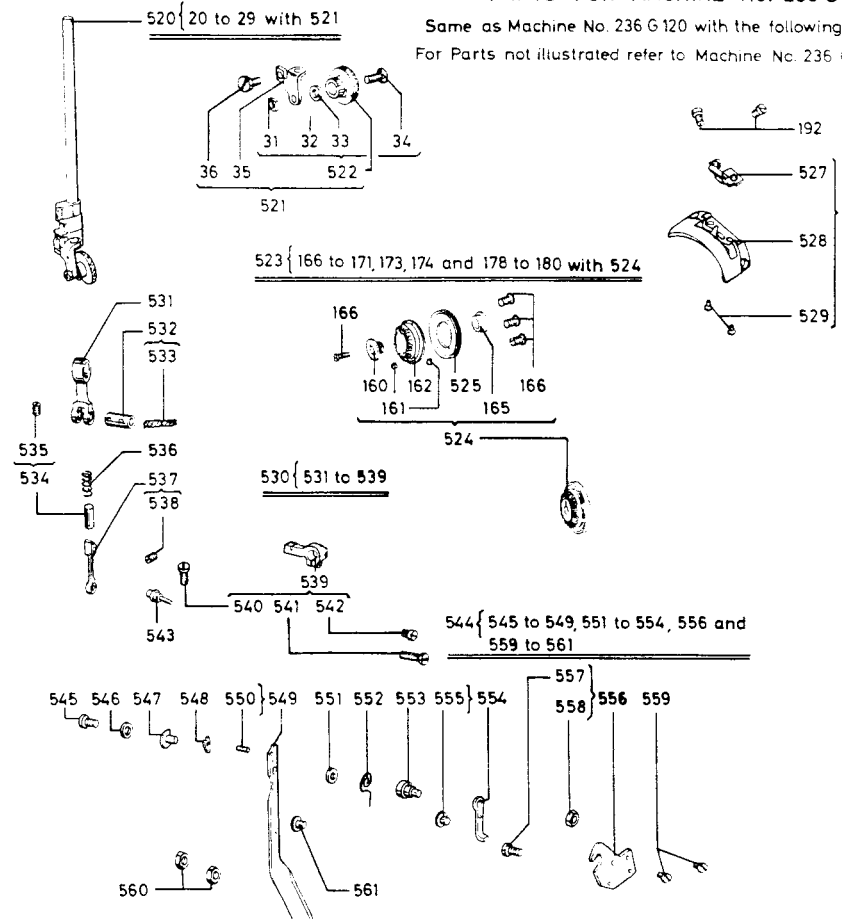
Same as Machine No. 236 G124 with the following exceptions:
For Parts not illustrated



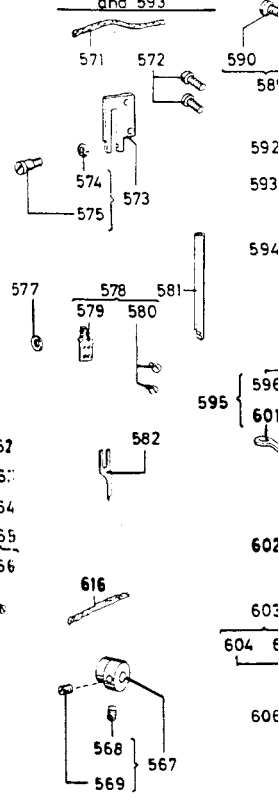
NOTE: For illustration of Motor

PARTS FOR MACHINE No. 236 G130

Same as Machine No. 236 G120 with the following exceptions:
For Parts not illustrated refer to Machine No. 236 G124 and G132



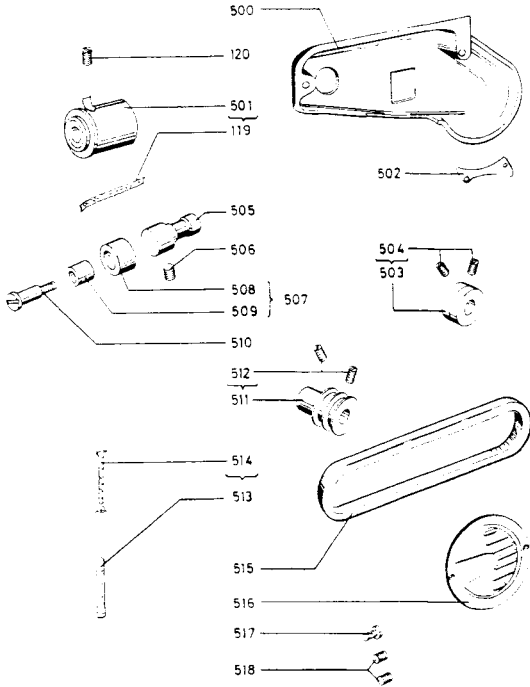
583 { 584 to 589, 592 and 593



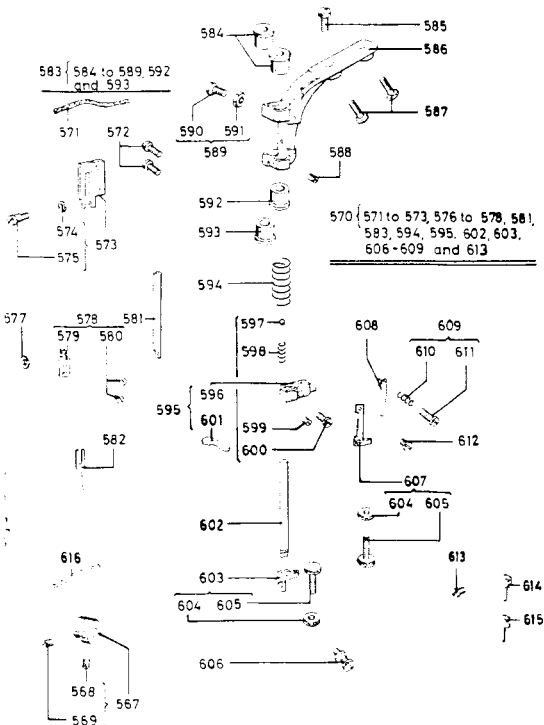
NOTE: For illustration of Motor

PARTS FOR MACHINE No. 236 G 132

Same as Machine No. 236 G 120 with the following exceptions:
For Parts not illustrated refer to Machine No. 236 G 124



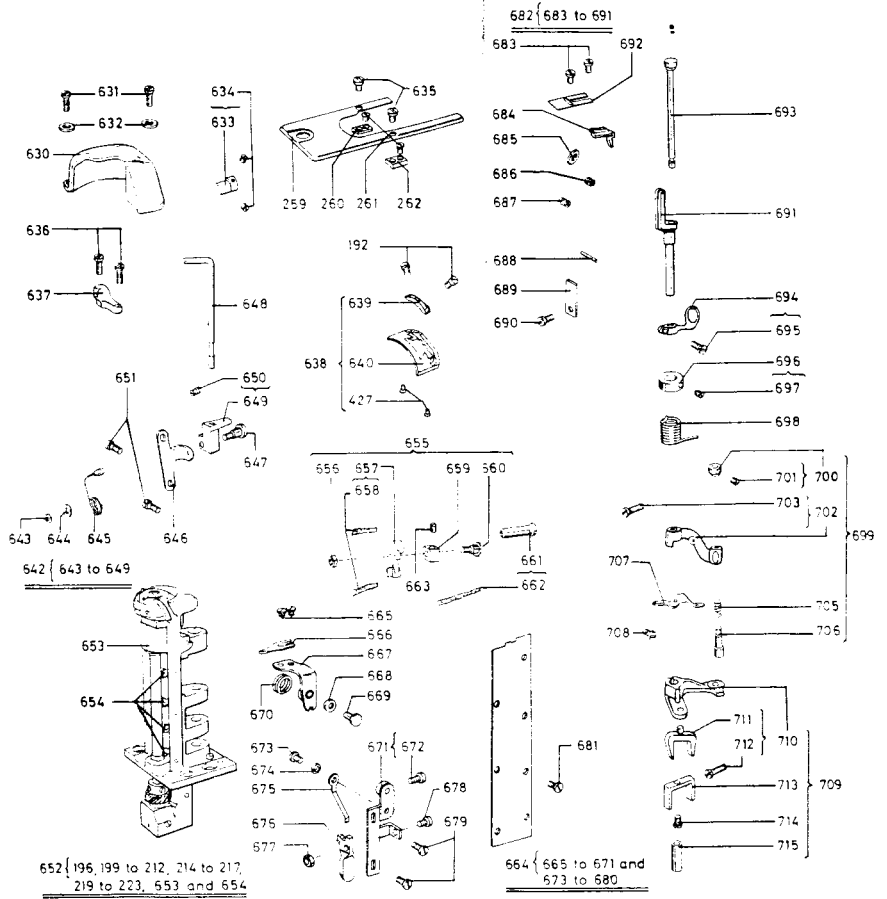
NOTE For illustration of Motor and Motor Control Box, see reverse page



For illustration of Motor and Motor Control Box, see reverse page

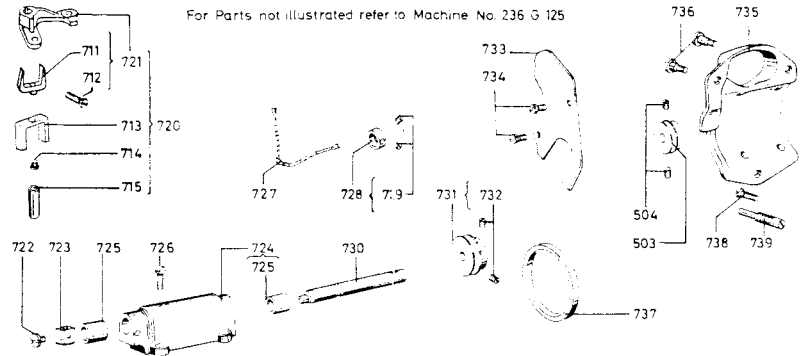
PARTS FOR MACHINE No. 236 G 125

Same as Machine No. 236 G 120 with the following exceptions.



PARTS FOR MACHINE No. 236 G 131

For Parts not illustrated refer to Machine No. 236 G 125



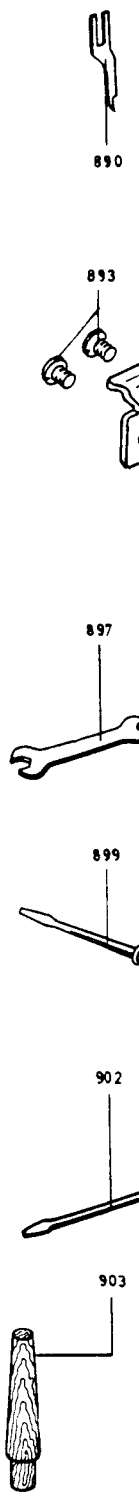
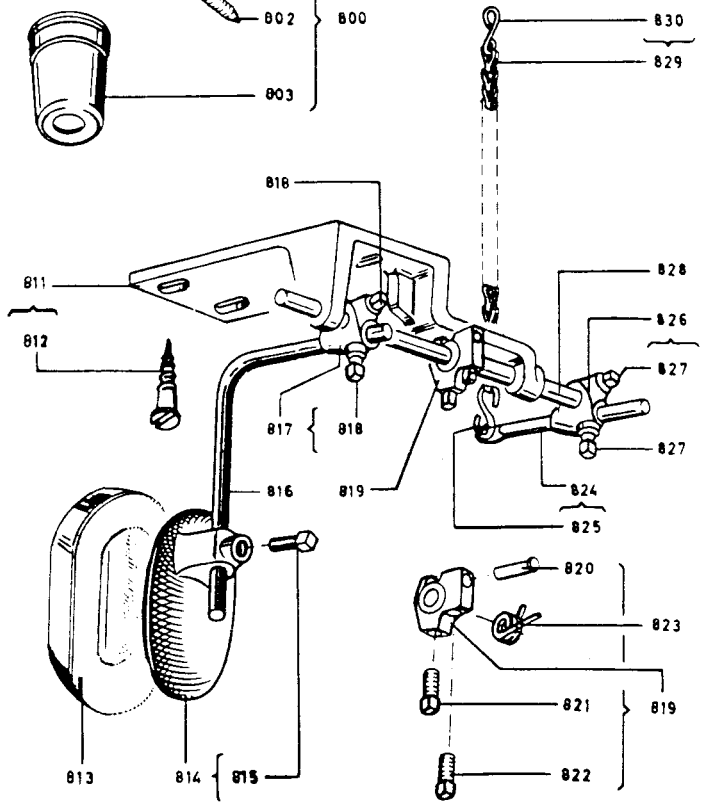
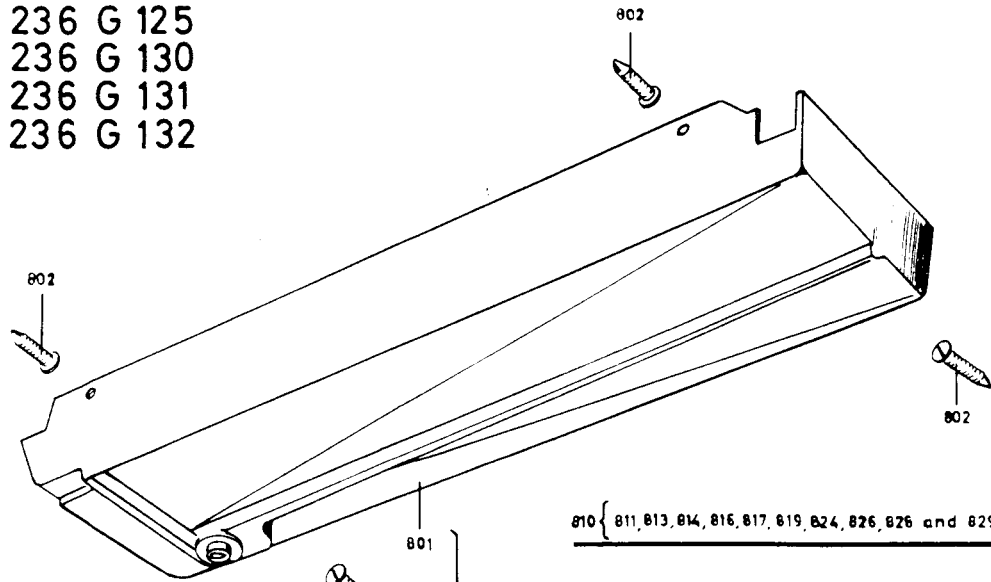
NOTE: For illustration of Motor and Motor Control Box, see reverse page

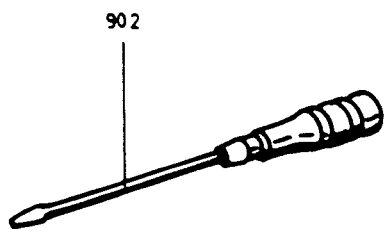
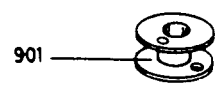
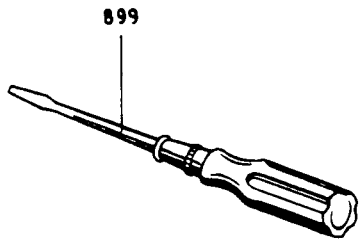
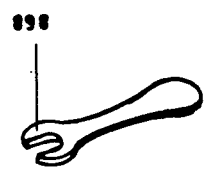
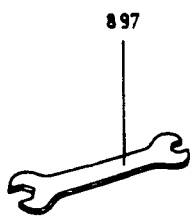
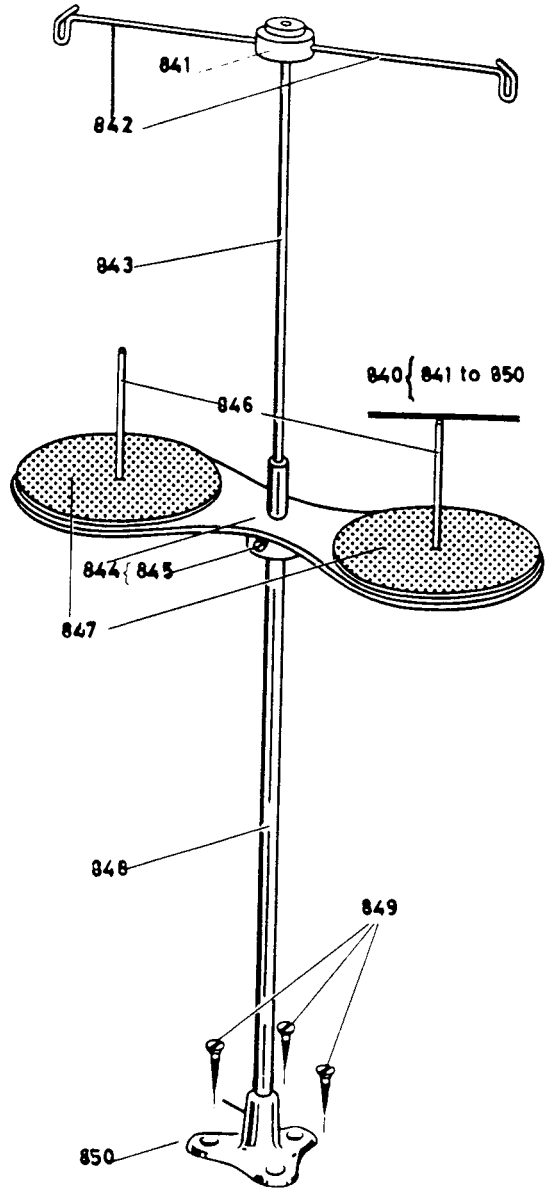
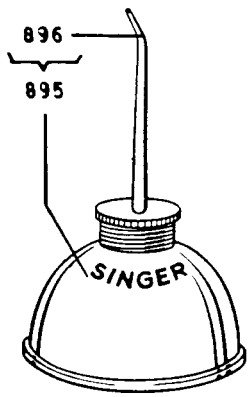
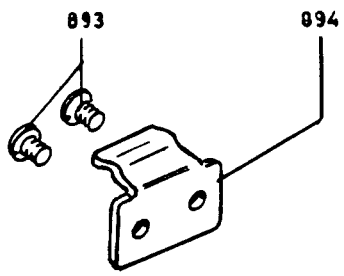
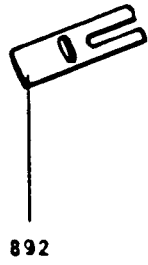
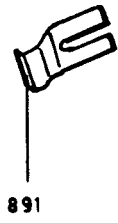
SINGER 236 G 120, 236 G 124, 236 G 125,
236 G 130, 236 G 131, 236 G 132

ACCESSORIES

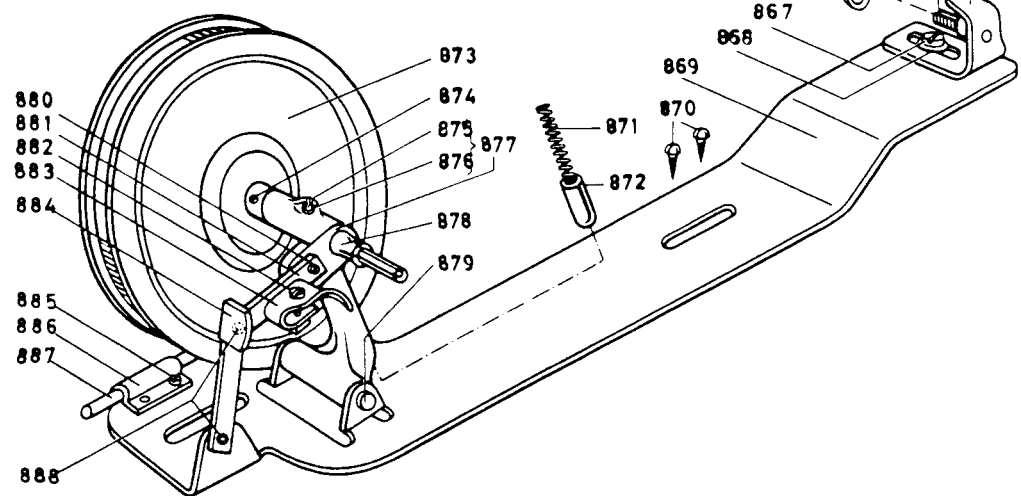
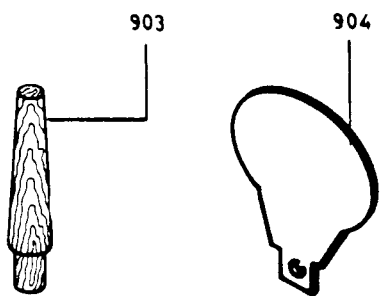
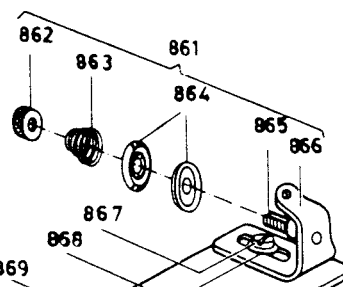
FOR

- 236 G 120
- 236 G 124
- 236 G 125
- 236 G 130
- 236 G 131
- 236 G 132



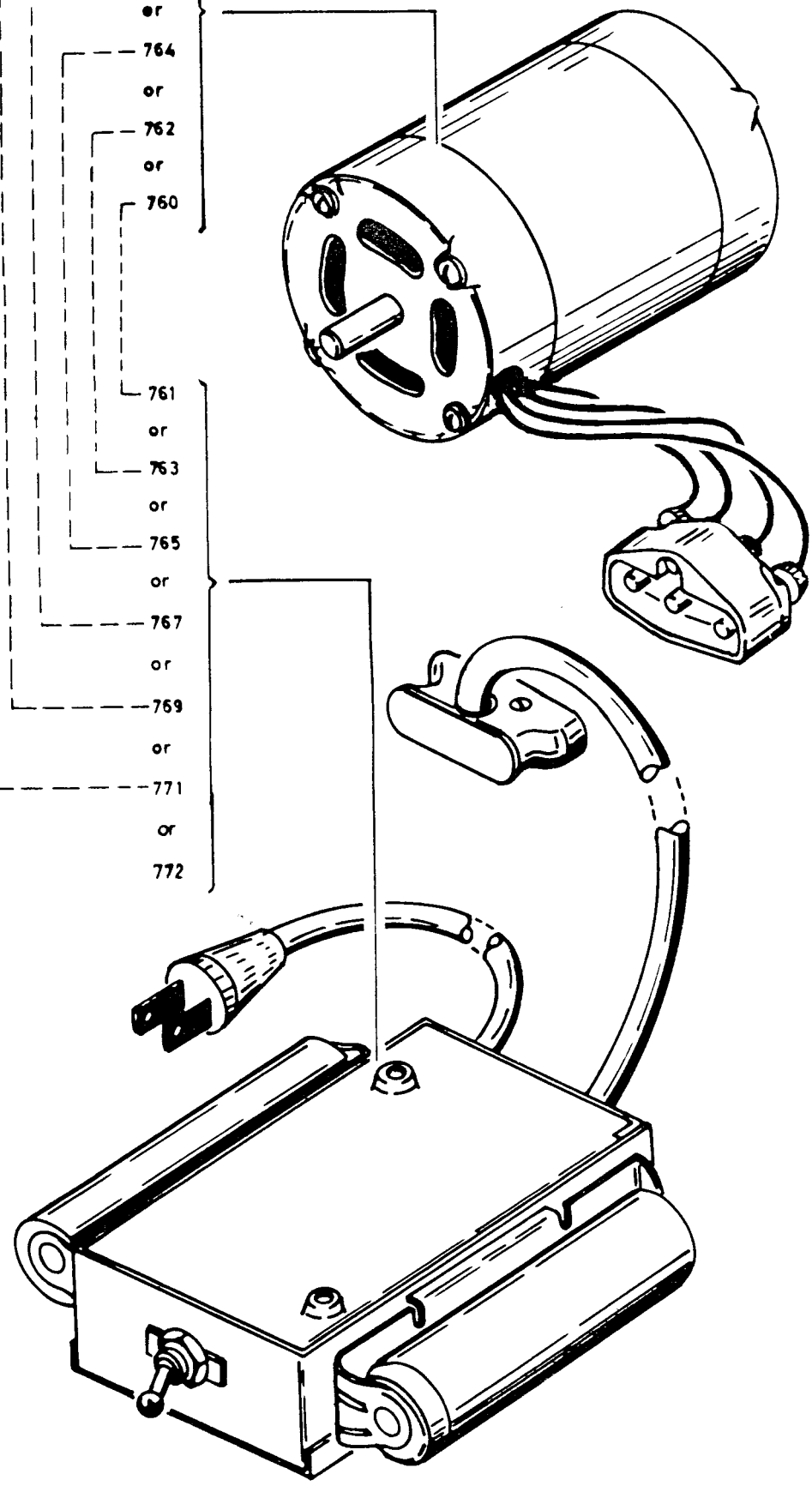


860 { 861 to 889



- 770
- or
- 768
- or
- 766
- or
- 764
- or
- 762
- or
- 760

- 761
- or
- 763
- or
- 765
- or
- 767
- or
- 769
- or
- 771
- or
- 772



Illustr. Ref. No.	Part No.	For Class			Name	Components	Illustr. Ref. No.	Part No.	For Class		
		124	130	132					124	130	131
437	200739-806	x			Edge Guide Rod Lifting Screw		739	207309			x
438	263731	x			Edge Guide Rod Plunger		740	200789-803			x
439	263732	x			Edge Guide Rod Plunger Spring		741	200069-803			x
440	263733	x			Edge Guide Rod Spring		742	200281-803			x
441	263730	x			Edge Guide Rod		743	207311			x
442	263756	x			Edge Guide		744	205319			x
443	200132-819	x			Edge Guide Screw						
444	263777	x			Knife Driving Shaft Cpl.	223847					
445	223847	x			Knife Driving Shaft Oil Packing (wick)						
446	250405	x			Knife Driving Shaft Thrust Washer		545	201478-803			x
447	200364-803	x	x	x	Knife Driving Shaft Bushing Set Screw						
448	263631	x	x	x	Knife Driving Shaft Bushing		546	207482			x
449	263626	x	x	x	Knife Driving Eccentric Thrust Washer						
450	200050-803	x	x	x	Knife Driving Shaft Bracket Screw (2)		547	207614			x
451	232154	x	x	x	Knife Driving Shaft Bracket Position Pin (2)		548	207618			x
452	263751	x			Knife Driving Shaft Bracket						
453	263647	x	x	x	Knife Driving Shaft Oil Tube Packing (wick)		549	207613			x
454	263646	x	x	x	Knife Driving Shaft Bracket Oil Tube		550	225348			x
455	263741	x			Knife Driving Bell Crank Bracket						
456	350641-850	x			Knife Driving Bell Crank Bracket Screw (2)		551	207482			x
457	263753	x			Knife Driving Bell Crank Shaft Retaining Ring		552	40058			x
458	263742	x			Knife Driving Bell Crank Shaft		553	350109-803			x
459	263736	x			Knife Driving Arm Cpl.	200048	554	207615			x
460	200048-803	x			Knife Driving Arm Pinch Screw		555	207316-803			x
461	263740	x			Knife Driving Bell Crank		556	207616			x
462	268072	x			Knife Driving Bell Crank Shaft Collar Cpl.	Two 200386	557	350615-803			x
463	200386-803	x			Knife Driving Bell Crank Shaft Collar Set Screw (2)		558	207537-819			x
464	263737	x			Knife Driving Arm Locking Plunger		559	20064-819			x
465	350624-803	x			Knife Driving Arm Locking Plunger Position Screw		560	20706-819			x
466	263738	x			Knife Driving Arm Locking Plunger Spring		561	217-805			x
467	200934-804	x			Knife Driving Arm Unlocking Lever Hinge Screw		562	20084-803			x
468	249171	x			Knife Driving Arm Unlocking Lever		563	202603			x
469	249162	x			Knife Adjusting Plate		564	207617			x
470	201256-803	x			Knife Adjusting Plate Screw		565	207630			x
471	249164	x			Knife Bracket Arm		566	20417-803			x
472	200065-803	x			Knife Bracket Arm Screw		567	207525			x
473	200054-805	x			Knife Driving Arm Retainer and Knife Guard Screw (2)		568	207352-833			x
474	263750	x			Knife Guard		569	207365-803			x
475	263739	x			Knife Driving Arm Retainer		570	207603			x
476	263735	x			Knife						
477	249163	x			Knife Bracket						
478	350625-806	x			Knife Screw						
479	249165	x			Knife Bracket Ringe Pin						
480	201042-805	x			Knife Bracket Adjusting Screw						
481	202101	x			Knife Bracket Adjusting Screw		571	207263			x
482	249166	x			Knife Bracket Spring		572	200028-804			x
483	201574-804	x			Knife Bracket Adjusting Screw Nut		573	203612			x
							574	207534-819			x
							575	200331-819			x
							576	20094-806			x
							577	207603			x
500	263639	x	x		Motor and Belt Guard		578	207633			x
501	263640	x	x		Arm Shaft Bushing (front) with	203100	579	207632			x
502	263636	x	x		Motor Terminal Box Lead Wire Cover Plate		580	201126-806			x
503	263635	x	x		Motor Pulley (double grooved) for "V" Belt, 1 13/32 and 1 33/64 in. diam. Belt Grooves with		581	207608			x
						Two 200351	582	247929			x
							583	247295			x
504	200351-803	x	x		Motor Pulley Set Screw (2)		584	24 896			x
505	263621	x			Knife Driving Belt Idler Pulley Adjusting Stud		585	200027-804			x
506	200358-803	x			Knife Driving Belt Idler Pulley Adjusting Stud Set Screw		586	247894			x
507	263510	x			Knife Driving Belt Idler Pulley Cpl.	263509, 263513	587	350614-850			x
508	263509	x			Knife Driving Belt Idler Pulley		588	201142-803			x
509	263513	x			Knife Driving Belt Idler Pulley Needle Bearing		589	200888			x
510	200948-803	x			Knife Driving Shaft Belt Pulley Hinge Screw		590	20043-803			x
511	263645	x			Knife Driving Shaft Belt Pulley with	Two 200351	591	20 524-805			x
512	200351-803	x			Knife Driving Shaft Belt Pulley Set Screw (2)		592	20411			x
513	263628	x			Knife Driving Shaft with	222583	593	247896			x
514	222583	x			Knife Driving Shaft Oil Packing (wick)(in shaft)		594	207365			x
515	263620	x			Knife Driving Belt		595	247633			x
516	263648	x			Arm Cover (front)(motor vent)		596	247625			x
517	145-819	x			Motor Terminal Block Screw (furnished with motor)						
518	200362-830	x			Motor Set Screw (2)		597	31737			x
520	263638	x			Roller Presser and Bar Cpl.	200096, two 200141, 202558, 202559, 228740, 335088, 235087, 263504, 263637	598	207389			x
						263500, 351884					
521	263673	x			Roller Presser Arm Cpl.		599	207387-803			x
522	351884	x			Roller Presser Cpl.	1528, 201699, twenty-eight	600	20078-819			x
						206417, 350104	601	247626			x
523	263870	x			Feed Post Cpl.	Two 237, 249019, 249092, 263453, 263460, 263461, 263607, 263692, 263829, 263849, 263847, 350411	602	247881			x
							603	247880			x
							604	1724-805			x
524	263607	x			Feed Wheel Cpl.	Three 200587, sixty 206417, 263450, 263451, 263452, 263605	605	20 217-804			x
							606	350302-806			x
525	263605	x			Feed Wheel		607	247882			x
526	263873	x			Throat Plate Cpl.	Two 51306, 263871, 263872	608	207361			x
527	263872	x			Throat Plate Knife Cutting Plate		609	204233			x
528	263871	x			Throat Plate Body		610	20 230			x
529	51306-805	x			Throat Plate Knife Cutting Plate Screw (2)		611	204802-805			x
530	263610	x			Knife Bar Driving Connection Cpl.	222013, 263609, 263611, 263622, 263623, 263624, 263627	612	20577-830			x
							613	207904-804			x
							614	247878			x
							615	247879			x
531	263622	x			Knife Driving Connection						
532	263623	x			Knife Driving Connection Hinge Pin Cpl.	272115					
533	272115	x			Knife Driving Connection Hinge Pin Oiling Wick		616	27046			x
534	263624	x			Knife Driving Connection Plunger Cpl.	200693					
535	200693-803	x			Knife Driving Connection Plunger Screw						
536	222013	x			Knife Driving Connection Plunger Spring						
537	263627	x			Knife Driving Link Cpl.	200389					
538	200389-803	x			Knife Driving Connection Hinge Pin Position Screw		630	207677			x
							631	201256-805			x

List of Parts 236G120, 236G124, 236G125,

No.	For Class			Name	Components	Illustr. Ref. No.	Part No.	For Class			
	124	130	132					124	130	132	
509	x			Knife Bar Driving Connection Cpl.	200089, 200069, 200381	632	203411	x	x		Knife
989-803	x			Knife Bar Driving Link Hinge Stud Pinch Screw		633	263703	x			Knife
969-803	x			Knife Bar Driving Connection Hinge Screw		634	200394-803	x			Knife
281-803	x			Knife Bar Driving Connection Set Screw		635	350316-819	x	x		Feed
511	x			Knife Bar Driving Link Hinge Stud		636	129-805	x			Knife
519	x			Knife Control Lever Cpl.	217, 40058, two 200064, 201478, two 201706, two 206482, 263613, 263615, 263616, 263618, 350109	637	263712	x			Knife
						638	263853	x	x		Throat
						639	263852	x	x		Throat
						640	263851	x	x		Throat
478-803	x			Knife Control Lever Position Spring		642	263685	x	x		Knife
				Adjusting Plate Screw							
482	x			Knife Control Lever Position Spring							
				Adjusting Plate Screw Washer		643	201527-805	x	x		Knife
614	x			Knife Control Lever Hinge Stud		644	225837	x	x		Knife
618	x			Knife Control Lever Position Spring		645	263684	x	x		Knife
				Adjusting Plate		646	263683	x	x		Knife
613	x			Knife Control Lever Cpl.	232348	647	200197-803	x	x		Knife
348	x			Knife Control Lever Position Spring		648	263681	x	x		Knife
				Adjusting Plate Pin		649	263682	x	x		Knife
482	x			Knife Control Lever Latch Spring Screw Washer		650	200403-803	x	x		Knife
958	x			Knife Control Lever Latch Spring		651	808-831	x	x		Knife
109-803	x			Knife Control Lever Latch Hinge Screw		652	263867	x	x		Hook
615	x			Knife Control lever Latch Cpl.	200316						
316-803	x			Knife Control Lever Latch Spring Stop Screw							
516	x			Knife Control Lever Plate Cpl.	201537, 350615						
515-803	x			Knife Control Lever Latch Adjusting Screw							
537-819	x			Knife Control Lever Latch Adjusting Screw Nut							
964-819	x			Knife Control Lever Plate Screw (2)							
706-819	x			Knife Control Lever Plate Screw Nut (2)							
217-805	x			Knife Control Lever Latch Spring Screw		653	263866	x	x		Hook
389-803	x			Knife Control Lever Position Spring Screw		654	263093	x	x		Knife
503	x			Knife Control Lever Position Spring Screw Washer		655	263705	x			Knife
517	x			Knife Control Lever Position Spring							
530	x			Knife Driving Shaft Bracket Cpl.	200417	656	201531-819	x			Knife
417-803	x			Knife Control Lever Hinge Stud Set Screw							Hinge
525	x			Knife Driving Eccentric Cpl.	200365, 201052	657	263704	x			Knife
952-833	x			Knife Driving Eccentric Set Screw		658	263708	x			Knife
365-803	x			Knife Driving Eccentric Position Screw		659	249282	x			Knife
503	x			Bracket (underedge) Cpl.	Two 200028, 200094, 200577, 200904, 202603, 204233, 204361, 204365, 241633, 248895, 248880, 248881, 248882, 263608, 263610, 263612, 263633, 267263, 350302	660	200243-803	x			Knife
						661	263706	x			Hinge
						662	263707	x			Knife
						663	200403-803	x			Knife
						664	263868	x	x		Knife
263	x			Knife Bar Position Guide Oiling Wick							Knife
328-804	x			Knife Bar Position Guide Screw (2)							Knife
512	x			Knife Bar Position Guide Cpl.	200031, 201534						Knife
534-819	x			Knife Bar Position Guide Pinch Screw Nut							Knife
931-819	x			Knife Bar Position Guide Pinch Screw		665	990-804	x	x		Edge
994-806	x			Knife Holder Screw		666	241732	x	x		Edge
503	x			Knife Holder Screw Washer		667	263861	x	x		Edge
633	x			Knife Holder Cpl.	Two 200126, 263632	668	206840	x	x		Edge
632	x			Knife Holder		669	263656	x	x		Edge
126-806	x			Knife Screw (2)		670	263864	x	x		Edge
608	x			Knife Bar		671	263865	x	x		Edge
929	x			Knife		672	140105-803	x	x		Edge
895	x			Bracket (underedge) Cpl.	200077, 200888, 201142, 204411, 248894, three 248896	673	1443-806	x	x		Edge
						674	7071-806	x	x		Edge
						675	263863	x	x		Edge
						676	263862	x	x		Edge
896	x			Knife Bar Bushing (2)		677	1735-819	x	x		Edge
027-804	x			Knife Bar Bushing Screw		678	86-803	x	x		Edge
894	x			Bracket (underedge)		679	808-831	x	x		Edge
614-850	x			Bracket (underedge) Screw (2)		681	51023-802	x	x		Feed
142-803	x			Guide Finger Clamp Bar Bushing Set Screw		682	263667	x	x		Knife
888	x			Knife Bar Sleeve Set Screw Cpl.	200043, 201524						
043-803	x			Knife Bar Sleeve Set Screw							
524-805	x			Knife Bar Sleeve Set Screw Nut							
411	x			Knife Bar Sleeve		683	200169-819	x	x		Knife
896	x			Guide Finger Clamp Bar Bushing		684	263665	x	x		Knife
365	x			Guide Finger Clamp Bar Spring		685	263840	x	x		Knife
633	x			Guide Finger Clamp Bar Position Guide Cpl.	241625, 241626						
625	x			Guide Finger Clamp Bar Position Guide Cpl.	36737, 200078, 200387, 204389	686	350355-803	x	x		Packin
						687	463-830	x	x		Knife
737	x			Guide Finger Disengaging Lever Friction Ball		688	263669	x	x		Knife
389	x			Guide Finger Disengaging Lever Friction Ball Spring		689	263670	x	x		Knife
						690	350238-804	x	x		Knife
387-803	x			Guide Finger Clamp Bar Position Guide Set Screw		691	263666	x	x		Knife
078-819	x			Guide Finger Clamp Bar Position Guide Pinch Screw		692	238508	x	x		Knife
626	x			Guide Finger Disengaging Lever		693	263688	x	x		Knife
881	x			Guide Finger Clamp Bar		694	263686	x	x		Knife
880	x			Guide Finger Bracket Cpl.	1724, 201217	695	200061-833	x	x		Knife
724-805	x			Guide Finger Clamp Bar Stop Adjusting Screw Thumb Nut (2)		696	214833	x	x		Knife
217-804	x			Guide Finger Clamp Bar Stop Adjusting Screw (2)		697	200380-803	x	x		Knife
302-806	x			Guide Finger Bracket Screw							Collar
882	x			Guide Finger Clamp Bar Position Guide Slide Cpl.	1724, 201217	698	263668	x	x		Knife
361	x			Guide Finger Clamp Bar Latch		699	263676	x	x		Knife
233	x			Guide Finger Clamp Bar Latch Spring Cpl.	200802, 204230						
230	x			Guide Finger Clamp Bar Latch Spring		700	201725	x	x		Knife
802-805	x			Guide Finger Clamp Bar Latch Hinge Screw							Sprin
577-830	x			Guide Finger Clamp Bar Position Guide Slide Screw		701	200389-803	x	x		Knife
904-804	x			Guide Finger Screw							Spring
878	x			Guide Finger		702	263674	x	x		Knife
879	x			Guide Finger with projection to guard Knife (furnished in place of 248878 if specified on order)		703	200048-803	x	x		Knife
						705	241721	x	x		Knife
046	x			Knife Driving Shaft Oil Wick (in arm)		706	263675	x	x		Knife
						707	263687	x	x		Knife
						708	200284-804	x	x		Knife
						709	263715	x			Knife
						710	263714	x			Knife
577	x	x		Knife Driving Lever Guard		*711	249288	x	x		Knife
356-805	x	x		Knife Driving Lever Guard Screw (2)							

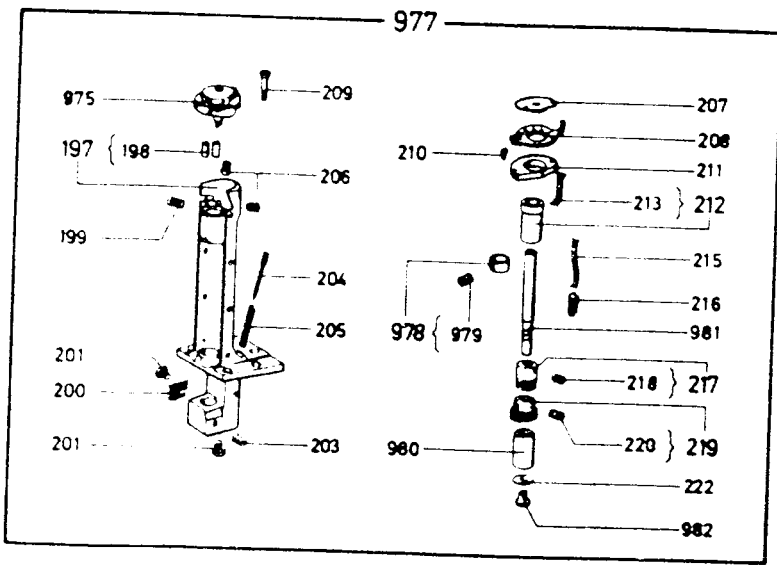
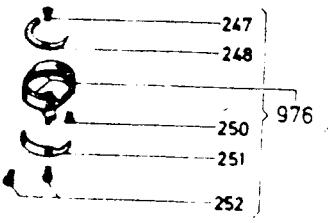
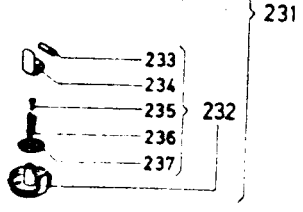
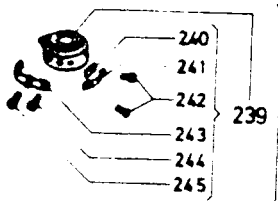
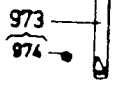
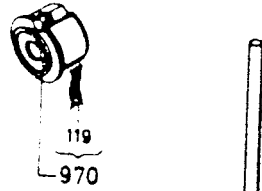
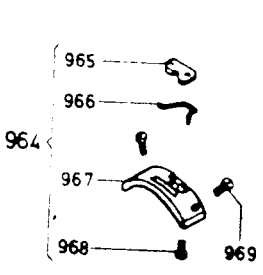
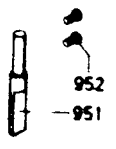
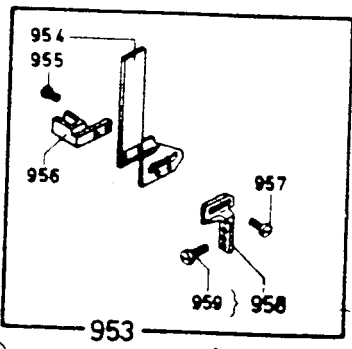
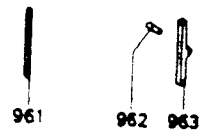
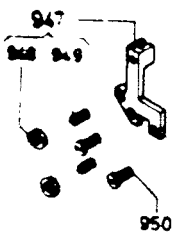
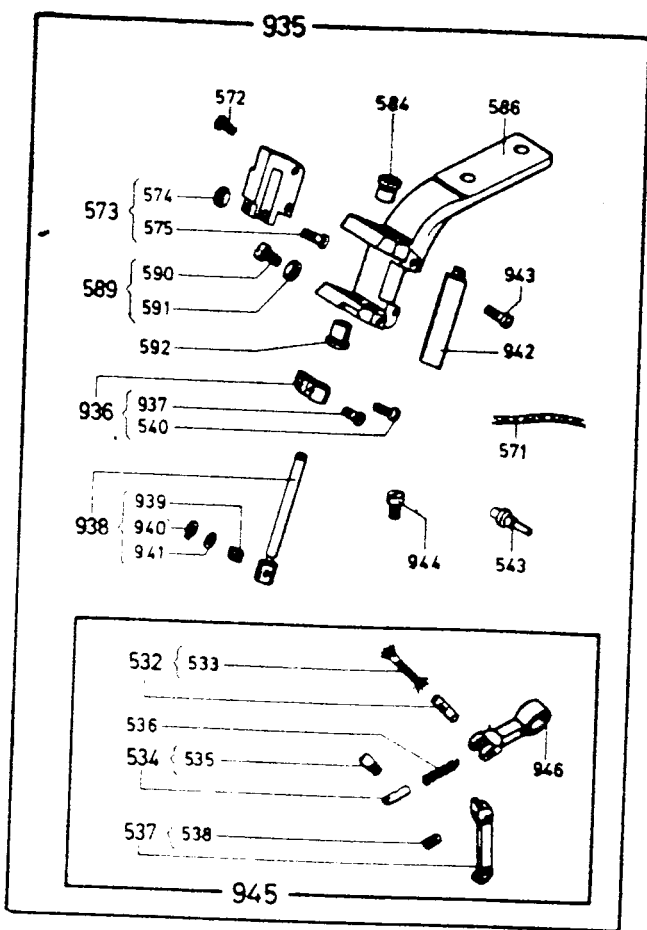
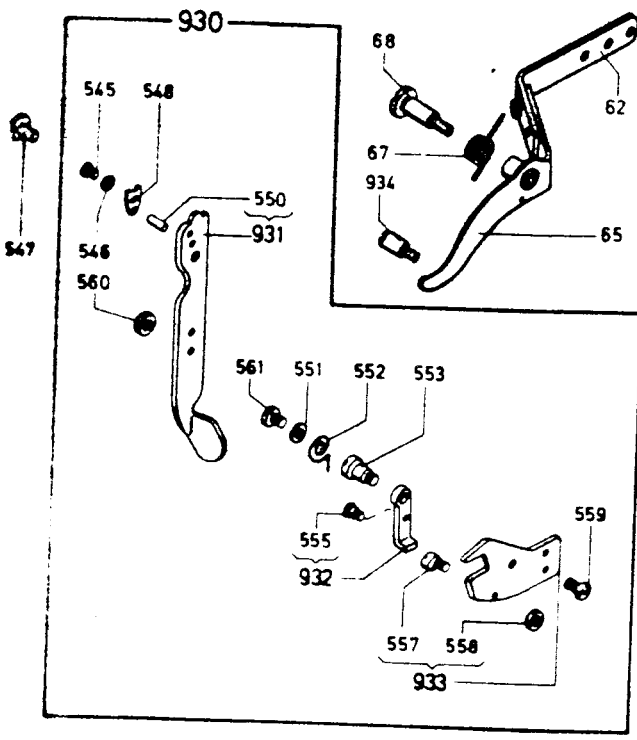
Components	Illustr. Ref. No.	Part No.	For Class			Name	Components
			124	130	132		
			120	125	131		
						<u>Knee Lifter</u>	
	816	228388	x	x	x	Rock Shaft Knee Plate Arm	
	817	228685	x	x	x	Rock Shaft Knee Plate Arm Bracket with	two 356
	818	356-803	x	x	x	Rock Shaft Knee Plate Arm Bracket Set Screw (2)	
	819	228844	x	x	x	Rock Shaft Stop Bracket with	350, 356, 228367
	820	228367	x	x	x	Rock Shaft Stop Stud	
	821	356-803	x	x	x	Set Screw	
104, 24173, 263672 200048, 249288	822	350-803	x	x	x	Rock Shaft Stop Stud Set Screw	
	823	228845	x	x	x	Rock Shaft Stop Bracket Spring	
	824	39811	x	x	x	Rock Shaft Lifting Bracket Extension with	39576
	825	39576	x	x	x	Rock Shaft Lifting Chain Hook (lower)	
Two 263679	826	6337	x	x	x	Rock Shaft Lifting Bracket with	two 356
	827	356-803	x	x	x	Rock Shaft Lifting Bracket Set Screw (2)	
	828	2763	x	x	x	Rock Shaft	
	829	227676	x	x	x	Rock Shaft Lifting Chain, 18 in. long, with	202784
200386	830	202784	x	x	x	Rock Shaft Lifting Chain Hook (upper)	
						<u>Thread Unwinder</u>	
	840	228776	x	x	x	Thread Unwinder Cpl.	228766, 228767, 228768, 228770, 228774, two 150203, two 228764, two 228769, three wood screws 7/8 in. No. 12
Two 200958	841	228770	x	x	x	Thread Unwinder Thread Guide Holder	
	842	228769	x	x	x	Thread Unwinder Thread Guide (2)	
	843	228774	x	x	x	Thread Unwinder Thread Guide Rod	
	844	228766	x	x	x	Thread Unwinder Spool Rest with	201254
	845	201254-803	x	x	x	Thread Unwinder Spool Rest Set Screw	
	846	228764	x	x	x	Thread Unwinder Spool Pin (2)	
	847	150203	x	x	x	Thread Unwinder Spool Rest Cushion (felt)(2)	
	848	228767	x	x	x	Thread Unwinder Spool Rest Rod	
	849	-----	x	x	x	Thread Unwinder Wood Screw 7/8 in. No. 12 (3)	
	850	228768	x	x	x	Thread Unwinder Spool Stand	
						<u>Universal Bobbin Winder</u>	
	860	259462	x	x	x	Universal Bobbin winder Cpl.	200056, 200082, 200113, 200299, 202478, 225381, 225444, 225453, 225454, 225455, 225456, 225458, 225462, 228026, 259428, 259429, 259662, 259930, two 225459, two wood screws 13710, 201572, 225461, two 2102
	861	225462	x	x	x	Bobbin Winder Tension Bracket Cpl.	
	862	201572-8.9	x	x	x	Bobbin Winder Tension Stud Thumb Nut	
	863	13710	x	x	x	Bobbin Winder Tension Spring	
	864	2102	x	x	x	Bobbin Winder Tension Disc (2)	
	865	201499-819	x	x	x	Bobbin Winder Tension Stud	
	866	225461	x	x	x	Bobbin Winder Tension Bracket with	201499
	867	200082-804	x	x	x	Bobbin Winder Tension Bracket Screw	
	868	228026	x	x	x	Bobbin Winder Tension Bracket Screw Washer	
	869	259662	x	x	x	Bobbin Winder and Tension Bracket Base	
	870	-----	x	x	x	Bobbin Winder Wood Screw (3/4 in. No. 12 R.H.B.)(2)	
	871	225456	x	x	x	Bobbin Winder Frame Spring Plunger	
	872	225455	x	x	x	Bobbin Winder Frame Spring	
	873	259930	x	x	x	Bobbin Winder Pulley with	457
	874	457-830	x	x	x	Bobbin Winder Pulley Set Screw	
	875	244071	x	x	x	Bobbin Winder Frame Oil Packing (wick)	
	876	259660	x	x	x	Bobbin Winder Frame Oil Well Washer	
	877	225453	x	x	x	Bobbin Winder Frame with	244071, 259660
	878	225381	x	x	x	Bobbin Winder Spindle	
	879	225454	x	x	x	Bobbin Winder Frame Hinge Pin	
	880	200299-8.9	x	x	x	Bobbin Winder Stop Latch Trip Lever Hinge Screw	
	881	202478	x	x	x	Bobbin Winder Stop Latch Trip Lever	
	882	200056-805	x	x	x	Bobbin Winder Stop Latch Screw	
	883	225444	x	x	x	Bobbin Winder Stop Latch	
	884	225458	x	x	x	Bobbin Winder Stop Latch Thumb Screw	
	885	200113-806	x	x	x	Bobbin Winder Brake Clamp Screw	
	886	259429	x	x	x	Bobbin Winder Brake Clamp	
	887	259428	x	x	x	Bobbin Winder Brake (leather)	
	888	225459	x	x	x	Bobbin Winder Stop Latch Thumb Lever Hinge Stud (2)	
	890	248929			x	Knife (3)	
	891	263735		x		Knife (2)	
	892	238508		x		Knife (2)	
	893	200570-805	x	x	x	Bed Hinge Connection Screw (4)	
	894	202258	x	x	x	Bed Hinge Connection (2)	
	895	120342	x	x	x	Oilier (copper plated) with	120343
	896	120343	x	x	x	Oilier Spout (31/2 in. long)	
	897	225554	x	x	x	Wrench	
	898	4822	x	x	x	Roller Presser Hinge Screw Nut Wrench	
	899	225498	x	x	x	Screw Driver	
	900	144465	x	x	x	Wrench (1/8 in. Hex.)	
Components	901	233939	x	x	x	Bobbin (2)	
	902	228476	x	x	x	Screw Driver (bobbin case)	
	903	41401	x	x	x	Machine Rest Pin (wood)	
228882, 228883, four wood screws 1/2 in. No. 4 R.H.B.	904	263577	x	x	x	Pulley Spreader Cone Adjusting Key	
	---	1740-141	x	x	x	Needle (5)	
2763, 6337, 39811, 150668, 227676, 228364, 228388, 228685, 228843, 228844, 228845 three 1 in. No. P.H.B.							

132	Name	Components	Illustr. Ref. No.	Part No.	For Class			Name
					120	125	131	
x	Roller Presser Driving Belt (upper) Pulley (adjustable) Spreader Cone		160	263451	x	x	x	Feed Wheel Ball Cone (out.)
			161	206417	x	x	x	Feed Wheel Ball 1/16" Ø
x	Roller Presser Driving Belt (upper) Pulley (adjustable) Segment Guide Stud (4)		162	263452	x	x	x	Feed Wheel Bevel Gear
			163	263660	x	x	x	Feed Wheel
x	Roller Presser Driving Belt (upper) Pulley (adjustable) Segment (4)		164	263450	x	x	x	Feed Wheel Ball Cone (ins.)
			165	200587-804	x	x	x	Feed Wheel Bevel Gear Scr
x	Roller Presser Driving Belt Shaft Collar Cpl.	Two 200111	166	350411-803	x	x	x	Feed Wheel Cap Screw
x	Roller Presser Driving Belt Shaft Collar Set Screw (2)		167	263829	x	x	x	Feed Post Cover (side)
			168	237-804	x	x	x	Feed Post Cover (side) Sc
x	Roller Presser Driving Belt Shaft Needle Bearing (lower and upper) (2)		169	263453	x	x	x	Feed Wheel Bevel Gear Dri
			170	263461	x	x	x	Feed Wheel Bracket Extens
x	Roller Presser Driving Belt Shaft Needle (No. 14)		171	263460	x	x	x	Feed Wheel Bracket Cpl.
x	Needle Bar Cpl.	200125, 200175, 249270	172	200041-803	x	x	x	Feed Wheel Bracket Pinch
x	Needle Bar Thread Guide		173	263849	x	x	x	Oil Reservoir Oil Gauge P
x	Needle Bar Thread Guide Screw		174	263847	x	x	x	Feed Post with
x	Needle Bar Connecting Stud Cpl.		175	140321-830	x	x	x	Feed Wheel Bracket Fricti
x	Needle Bar Bushing (lower)		176	448-833	x	x	x	Feed Wheel Bracket Extens
x	Needle Bar Bushing (upper)		177	140321-830	x	x	x	Feed Wheel Adjusting Stud
x	Needle Bar Bushing (upper) Set Screw		178	249019	x	x	x	Feed Wheel Bracket Fricti
x	Needle Bar Connecting Stud Pinch	207	179	249092	x	x	x	Feed Wheel Adjusting Stud
x	Needle Bar Connecting Stud Slide Block		180	263692	x	x	x	Feed Wheel Bevel Gear Dri
x	Needle Bar Connecting Link Oil Packing (wick) Spring Clamp (2)		181	263455	x	x	x	Coupling Cpl.
x	Needle Bar Connecting Link Oil Packing (wick)		182	200382-833	x	x	x	Feed Wheel Bevel Gear Dri
x	Needle Bar Connecting Link Cap Screw		183	263457	x	x	x	Coupling Set Screw (4)
x	Take-Up Lever Crank		184	263456	x	x	x	Feed Wheel Bevel Gear Dri
x	Take-Up Lever Link Hinge Stud		185	201052-833	x	x	x	Coupling Ball Connection
x	Take-Up Lever Link Hinge Stud Set Screw		186	200133-803	x	x	x	Feed Wheel Bevel Gear Dri
x	Needle Bar and Take-Up Oiling Wick		187	263454	x	x	x	Coupling Ball Connection
x	Needle Bar and Take-Up Oiling Wick Retaining Screw (3)	12166, 263538, 263543, two 263571, 263572	188	263440	x	x	x	Feed Wheel Bevel Gear Dri
x	Take-Up Lever Complete		189	263441	x	x	x	Ball Connection Retainin
x	Take-Up Lever Link Oil Packing (wick) Spring Clamp		190	263440	x	x	x	Feed Wheel Bevel Gear Dri
x	Take-Up Lever Link Oil Packing (wick)		191	263836	x	x	x	Coupling (lower) Cpl.
x	Take-Up Lever Link		192	141664-819	x	x	x	Feed Post Adjusting Eccen
x	Take-Up Lever		193	201110-819	x	x	x	Feed Post Adjusting Eccen
x	Take-Up Lever Hinge Stud		194	263592	x	x	x	Retaining Ring
x	Take-Up Lever Position Plate		195	263834	x	x	x	Oil Reservoir Oil Gauge
x	Arm Shaft Cpl.	*263406, *263493, 200333, 200382, 200362	196	263464	x	x	x	Throat Plate
			197	263835	x	x	x	Throat Plate Screw (2)
x	Needle Bar Crank Position Screw		198	263582	x	x	x	Feed Post Screw (2)
x	Needle Bar Crank		199	1448-830	x	x	x	Feed and Hook Post Screw
x	Arm Shaft		200	263476	x	x	x	Hook Post Cpl.
x	Take-Up Lever Crank Set Screw		201	212-804	x	x	x	
x	Take-Up Lever Crank Set Screw		202	202-819	x	x	x	
x	Needle Bar Crank Friction Washer		203	1448-830	x	x	x	
x	Arm Shaft Bushing (front) with	203100	204	141580-833	x	x	x	
x	Arm Shaft Bushing (front) Oil Packing (wick)		205	234426	x	x	x	
x	Arm Shaft Bushing (front) Set Screw		206	141674-833	x	x	x	
x	Arm Shaft Connection Belt Pulley Cpl.	200363, two 214206	207	263482	x	x	x	
		350492	208	263826	x	x	x	
x	Arm Shaft Connection Belt Pulley Spring		209	350611-819	x	x	x	
x	Arm Shaft Connection Belt Pulley Position Screw		210	203478	x	x	x	
x	Arm Shaft Connection Belt Pulley Position Screw		211	263421	x	x	x	
x	Check Screw/Set Screw (2)		212	263480	x	x	x	
x	Arm Shaft Connection Belt (reinforced neoprene)		213	263561	x	x	x	
x	Machine Pulley with	263487, 272142	214	263478	x	x	x	
x	Machine Pulley Cpl.	200327, 200328	215	263593	x	x	x	
x	Machine Pulley Set Screw		216	263594	x	x	x	
x	Machine Pulley Position Screw		217	263568	x	x	x	
x	Arm Shaft Ball Bearing (back)		218	200387-803	x	x	x	
x	Thread Lubricator Plate		219	265522	x	x	x	
x	Thread Lubricator Plate Screw (2)		220	200382-833	x	x	x	
x	Thread Lubricator Oil Pad (felt)		221	263479	x	x	x	
x	Thread Lubricator Oil Pad Holder		222	263481	x	x	x	
x	Thread Lubricator Oil Pad Holder Screw (2)		223	200121-805	x	x	x	
x	Thread Retainer Thread Guide		224	201110-819	x	x	x	
x	Thread Retainer Thread Guide Set Screw		225	263592	x	x	x	
x	Thread Guide (lower)		226	141581-805	x	x	x	
x	Thread Guide (lower) Set Screw		227	244746	x	x	x	
x	Thread Controller Spring Regulator Set Screw		228	263440	x	x	x	
x	Tension Cpl.	201572, 202410, 223438, 244048, 244049, 263547, 263548, 263549, 263552, 350613	229	263441	x	x	x	
x	Tension Releasing Pin		230	263846	x	x	x	
x	Thread Controller Spring Regulator Cpl.	50305	231	241677	x	x	x	
x	Tension Stud Set Screw		232	235769	x	x	x	
x	Tension Stud Cpl.	263550	233	*202056	x	x	x	
x	Tension Stud Washer		234	*203211	x	x	x	
x	Thread Controller Spring		235	*203212	x	x	x	
x	Tension Disc (back)		236	*203213	x	x	x	
x	Tension Disc (front)		237	203216	x	x	x	
x	Tension Release Washer		238	263441	x	x	x	
x	Tension Spring Washer		239	241676	x	x	x	
x	Tension Spring		240	241674	x	x	x	
x	Tension Thumb Nut		241	241675	x	x	x	
x	Thread Retainer Set Screw		242	350405	x	x	x	
x	Thread Retainer		243	235771	x	x	x	
x	Arm Cover Plate (back) (lower) Screw (2)		244		x	x	x	
x	Arm Cover Plate (back) (lower)	Two 237, 249019, 249092, 263453, 263460, 263461, 263662, 263692, 263829, 263849, 263847, 350411	245		x	x	x	
x	Feed Post Cpl.	Three 200587, Sixty 206417, 263450, 263451, 263452, 263660	246		x	x	x	
x	Feed Wheel Cpl.		247		x	x	x	

Components	Illustr. Ref. No.	Part No.	For Claws			Name	Components
			120	125	131		
	244	200594-805	x	x	x	Hobbin Case Tension Spring Screw	
	245	200984-803	x	x	x	Hobbin Case Tension Spring Regulating Screw	
	246	263463	x	x	x	Hook Cpl.	201253, two 201241604, 263462,
	247	201253-806	x	x	x	Hook Gib Screw	
	248	241604	x	x	x	Hook Gib	
	249	263462	x	x	x	Hook (sewing)	
	250	201378-803	x	x	x	Hook Gib Hinge Screw	
	251	263563	x	x	x	Hook Needle Guard	
	252	201409-806	x	x	x	Hook Needle Guard Screw (2)	
	253	233439	x	x	x	Hobbin	
	254	263403	x	x	x	Arm Cover (front)	
	255	200576-819	x	x	x	Arm Cover (front) Screw (2)	
	256	204235	x	x	x	Arm Base Position and Arm Position Pin (4)	
	257	202005	x	x	x	Arm Base Screw and Arm Screw Washer (6)	
	258	200004-805	x	x	x	Arm Base and Arm Screw (6)	
	259	263801	x	x	x	Feed Post Base Cover	
	260	263804	x	x	x	Feed and Hook Post Base Cover Support (back)	
	261	50559-819	x	x	x	Feed and Hook Post Base Cover Support Screw (2)	
	262	263803	x	x	x	Feed and Hook Post Base Cover Support (front)	
	263	200181-819	x	x	x	Feed and Hook Post Base Cover Screw (2)	
	264	263802	x	x	x	Hook Post Base Cover	
	265	263812	x	x	x	Feed and Hook Post Gasket (bottom)	
	266	263830	x	x	x	Feed and Hook Post Cover (back)	
	267	263832	x	x	x	Feed and Hook Post Cover Gasket (back or front) (2)	
	268	263845	x	x	x	Feed and Hook Post Cover (front)	
	269	51023-802	x	x	x	Feed and Hook Post Cover (back or front) Screw (8)	
	270	141672-806	x	x	x	Feed and Hook Post Cover (back or front) Clamp Screw (6)	
	271	263415	x	x	x	Bed Cover (bottom) Gasket	
	272	263414	x	x	x	Bed Cover (bottom) Cpl.	263459, 267093,
	273	263459	x	x	x	Feed Wheel Bevel Gear Driving Pinion Shaft (lower) Needle Bearing Oil Seal	
	274	350777-819	x	x	x	Bed Cover (bottom) Screw Oil Plug	
	275	267093	x	x	x	Feed Wheel Bevel Gear Driving Pinion Shaft (lower) Needle Bearing	
	276	200040-805	x	x	x	Bed Cover (bottom) Screw (10)	
	277	272154	x	x	x	Bed Cover (bottom) Screw Washer (fibre)(2)	
	278	263425	x	x	x	Feed Clutch Cpl.	Six 68152, Six Six 131718, 144263458, 263578, 263591
	279	263458	x	x	x	Feed Wheel Bevel Gear Driving Pinion Shaft (lower)	
	280	263591	x	x	x	Feed Clutch Thrust Washer	
	281	144261	x	x	x	Feed Clutch (drive) Washer	
	282	263579	x	x	x	Feed Clutch Sleeve	
	283	140409-830	x	x	x	Feed Clutch Sleeve Set Screw (2)	
	284	263578	x	x	x	Feed Clutch (brake) 144262 with	Three 263574
	285	263574	x	x	x	Feed Clutch Wear Plate (6)	
	286	263423	x	x	x	Feed Clutch (drive) 263422 with	Three 263574
	287	131718	x	x	x	Feed Clutch Roller Spring (6)	
	288	68152	x	x	x	Feed Clutch Roller Plunger (6)	
	289	131717	x	x	x	Feed Clutch Roller (6)	
	290	200911-819	x	x	x	Feed Clutch (brake) Supporting Plate Screw (3)	
	291	1255-803	x	x	x	Feed Clutch (brake) Screw (3)	
	292	263424	x	x	x	Feed Clutch (brake) Supporting Plate	
	293	263467	x	x	x	Hook and Feed Driving Shaft Bushing (front) with 272115	
	294	272115	x	x	x	Hook and Feed Driving Shaft Bushing (front) Oil Packing (wick)	
	295	200958-803	x	x	x	Hook and Feed Driving Shaft Bushing (front) Set Screw	
	296	263437	x	x	x	Feed Driving Flange Cpl.	200333, 200346, Two 350477, two
	297	350548-803	x	x	x	Feed Driving Eccentric Friction Plate Adjusting Screw (2)	
	298	263567	x	x	x	Feed Driving Eccentric Friction Plate	
	299	200333-803	x	x	x	Feed Driving Flange Position Screw	
	300	200346-803	x	x	x	Feed Driving Flange Set Screw	
	301	350477-803	x	x	x	Feed Driving Eccentric Friction Plate Adjusting Screw Set Screw (2)	
	302	263429	x	x	x	Feed Driving Eccentric Cpl.	215057
	303	215057	x	x	x	Feed Driving Eccentric Adjusting Eccentric Pin	
	304	263430	x	x	x	Feed Driving Eccentric Adjusting Eccentric	
	305	263435	x	x	x	Feed Driving Eccentric Adjusting Eccentric Spring	
	306	263436	x	x	x	Feed Driving Eccentric Adjusting Eccentric Spring Adjusting Collar Cpl.	Two 200394
	307	200394-803	x	x	x	Feed Driving Eccentric Adjusting Eccentric Spring Adjusting Collar Set Screw (2)	
	308	263472	x	x	x	Hook Driving Gear (spiral) Sleeve Cpl.	200378, 201220
	309	201220-833	x	x	x	Hook Driving Gear (spiral) Sleeve Position Screw	
	310	200378-803	x	x	x	Hook Driving Gear (spiral) Sleeve Position Screw	
	311	263470	x	x	x	Hook Driving Gear (spiral) Cpl.	Two 797
	312	797-803	x	x	x	Hook Driving Gear (spiral) Set Screw (2)	
	313	263471	x	x	x	Hook Driving Gear (spiral) Retaining Ring	
	314	276045	x	x	x	Hook and Feed Driving Shaft Bushing (back) with 276046	
	315	276046	x	x	x	Hook and Feed Driving Shaft Bushing (back) Oil Packing (wick)	
	316	200958-803	x	x	x	Hook and Feed Driving Shaft Bushing (back) Set Screw	
	317	263537	x	x	x	Stitch Length Indicator Cpl.	200347
	318	200347-830	x	x	x	Stitch Length Indicator Set Screw	
	319	263469	x	x	x	Hook and Feed Driving Shaft Thrust and Timing Collar Cpl.	200378
	320	200378-803	x	x	x	Hook and Feed Driving Shaft Thrust and Timing Collar Set Screw	
	321	201007-803	x	x	x	Hook and Feed Driving Shaft Connection Belt Pulley Needle Bearing Sleeve Set Screw	
	322	263569	x	x	x	Hook and Feed Driving Shaft Connection Belt Pulley Needle Bearing Sleeve	
	323	263465	x	x	x	Hook and Feed Driving Shaft	

Components	Illustr. Ref. No.	Part No.	For Class				Name	Components			
			124	130	132						
crew	201253, two 201409, 201370, 241604, 263462, 263563	324	263468	x	x	x	x	x	Hook and Feed Driving Shaft Connection Belt Pulley Cpl.	201254, 201421, 214206, 228842	
		325	228842	x	x	x	x	x	Hook and Feed Driving Shaft Connection Belt Pulley Needle Bearing		
		326	214206	x	x	x	x	x	Hook and Feed Driving Shaft Connection Belt Pulley Spring Flange		
		327	201254-803	x	x	x	x	x	Hook and Feed Driving Shaft Connection Belt Pulley Position Screw		
		328	201421-803	x	x	x	x	x	Hook and Feed Driving Shaft Connection Belt Pulley Set Screw		
		329	263428	x	x	x	x	x	Feed Driving Crank Cpl.	350175	
		330	350175-805	x	x	x	x	x	Feed Driving Crank Pinch Screw		
		331	201616-805	x	x	x	x	x	Feed Driving Crank Ball Screw Nut		
		332	231836	x	x	x	x	x	Feed Driving Crank Thrust Washer		
		333	263426	x	x	x	x	x	Feed Driving Connection Cpl.	Four 200274	
(4)		334	200274-805	x	x	x	x	x	Feed Driving Connection Cap Screw (4)		
		335	140300-803	x	x	x	x	x	Feed Driving Crank Ball Screw		
		336	263427	x	x	x	x	x	Feed Driving Connection Tension Spring		
		337	263431	x	x	x	x	x	Feed Driving Eccentric Adjusting Eccentric Latch Cpl.	200351	
		338	200351-803	x	x	x	x	x	Feed Driving Eccentric Adjusting Eccentric Latch Set Screw		
		339	200605-803	x	x	x	x	x	Feed Driving Eccentric Adjusting Eccentric Latch Hinge Pin Position Screw		
		340	263432	x	x	x	x	x	Feed Driving Eccentric Adjusting Eccentric Latch Hinge Pin		
		341	263433	x	x	x	x	x	Feed Driving Eccentric Adjusting Eccentric Latch Operating Lever Cpl.	200394	
		342	200394-803	x	x	x	x	x	Feed Driving Eccentric Adjusting Eccentric Latch Operating Lever Set Screw		
		343	263434	x	x	x	x	x	Feed Driving Eccentric Adjusting Eccentric Latch Operating Lever Spring		
shaft	263459, 267093, 350777	344	263508	x	x	x	x	x	Roller Presser Driving Belt (lower) Driving Belt Pulley Cpl.	Two 200958	
		345	200958-803	x	x	x	x	x	Roller Presser Driving Belt (lower) Driving Belt Pulley Set Screw (2)		
		346	263506	x	x	x	x	x	Roller Presser Driving Belt (lower)		
		347	263507	x	x	x	x	x	Roller Presser Driving Belt (lower) Driven Pulley Cpl.	Two 200403	
		348	200403-803	x	x	x	x	x	Roller Presser Driving Belt (lower) Driven Pulley Set Screw (2)		
		349	263514	x	x	x	x	x	Roller Presser Driving Belt (lower) Idler Pulley and Arm Cpl.	200948, 263510, 263511	
		350	263512	x	x	x	x	x	Roller Presser Driving Belt (lower) Idler Pulley Arm Spring		
		351	263511	x	x	x	x	x	Roller Presser Driving Belt (lower) Idler Pulley Arm		
		352	263510	x	x	x	x	x	Roller Presser Driving Belt (lower) Idler Pulley Cpl.	263509, 263513	
		353	263509	x	x	x	x	x	Roller Presser Driving Belt (lower) Idler Pulley		
shaft (lower)	Six 68152, Six 131717, Six 131718, 144261, 263423, 263458, 263578, 263579, 263591	354	263513	x	x	x	x	x	Roller Presser Driving Belt (lower) Idler Pulley Needle Bearing		
		355	200948-803	x	x	x	x	x	Roller Presser Driving Belt (lower) Idler Pulley Hinge Screw		
		356	660-803	x	x	x	x	x	Roller Presser Driving Belt (lower) Idler Pulley Arm Hinge Screw		
		357	263417	x	x	x	x	x	Bed Leg (3)		
		401	263783	x					Arm Top Cover		
		402	263590	x					Arm Top Cover Oil Tube Cpl. (2)	Two 170168	
		403	170168	x					Arm Top Cover Oil Tube Metering Insert (2)		
		404	263784	x					Knife Driving Mechanism Guard		
		405	263781	x					Knife Driving Shaft Driving Gear Lubrication Reservoir Cover		
		215057	406	200084-850	x					Knife Driving Shaft Driving Gear Lubrication Reservoir Cover Screw (2)	
crew (3)		407	263782	x					Arm Shaft Bushing (front) with	203100	
		408	263779	x					Knife Driving Shaft Driving Gear Cpl.	Two 200382	
		409	200382-833	x					Knife Driving Shaft Driving Gear Set Screw (2)		
		410	263407	x					Arm Shaft Bushing (center) with	203100	
		411	203100	x					Arm Shaft Bushing (center) Oil Packing (wick)		
		412	200013-819	x					Arm Shaft Bushing (center) Set Screw		
		Two 200394	413	200365-803	x	x				Knife Driving Eccentric Position Screw	
		414	201052-833	x	x	x				Knife Driving Eccentric Set Screw	
		415	263745	x		x	x			Knife Driving Connection Cpl.	Two 160, 263744, 263746, 263747, 263748, 263749, 350633, 200365, 201052
		crew (2)	200378, 201220	416	263749	x					Knife Driving Eccentric Cpl.
417	263747			x					Knife Driving Connection Bearing (upper)(large)		
418	200160-819			x					Knife Driving Connection Guide Plate Screw (2)		
419	263748			x					Knife Driving Connection Guide Plate		
420	263744			x					Knife Driving Connection		
421	263746			x					Knife Driving Connection Bearing (lower) (small)		
422	350633-803			x					Knife Driving Connection Hinge Screw		
423	51699-819			x					Knife Driving Connection Hinge Screw Nut	Two 141584, 263851, 263856	
424	263857			x		x	x			Throat Plate Cpl.	
425	263856			x		x	x			Throat Plate Needle Plate	
crew (2)	200347	426	263851	x	x				Throat Plate Body		
		427	141584-819	x	x	x			Throat Plate Needle Plate Screw (2)		
		429	263752	x					Thread Lubricator and Edge Guide Bracket		
		430	200093-819	x					Mounting Plate		
		431	263734	x					Edge Guide Bracket Screw (2)		
		432	200166-819	x					Edge Guide Rod Spring Plate		
		433	263728	x					Edge Guide Rod Spring Plate Screw		
		434	201735-805	x					Edge Guide Bracket		
		435	263729	x					Edge Guide Rod Plunger Nut		
		436	200166-819	x					Edge Guide Position Plate		
crew (2)	200378, 201220	437	263729	x					Edge Guide Position Plate Screw (2)		

PARTS FOR MACHINE NO. 236 G 122
 Same as Machine No. 236 G 130 with the following exceptions:
 For Parts not illustrated refer to Machine No. 236 G 120 and 236 G 130



PARTS FOR MACHINE 236 G122

ILL. REF. NO.	PART NO.	NAME			
930	508371	KNIFE CONTROL LEVER CPL. 217, 48058, 201478, 263618, 350109, 508372, 508373, 508374, TWO EACH 200064, 201706, 206482			
931	508374	KNIFE CONTROL LEVER CPL. 212248			
932	508372	KNIFE CONTROL LEVER LATCH CPL. 200316	800	228884	DRIP PAN (PLASTIC) CPL. 228882, 228883, FOUR
933	508373	KNIFE CONTROL LEVER PLATE CPL. 201537, 350615	810	228846	WOOD SCREW 1/2 INCH NO. 4 B.H.B.
934	900326	LIFTING LEVER STOP SCREW			KNEE LIFTER ROCK SHAFT CPL. 2763, 6337, 39811, 150668, 227676, 228344, 228388, 228685, 228843, 228844, 228845
935	508342	KNIFE GUIDE BRACKET CPL. 200077, 200888, 204411, 248894, 248896, 263611, 263612, 267263, 508361, 508363, 508364, 508365, TWO EACH 200028, 201341	860	259462	UNIVERSAL BOBBIN WINDER CPL. 200056, 200082, 200113, 200299, 202478, 225381, 225444, 225453, 225454, 225455, 225456, 225458, 225462, 228026, 259428, 259429, 259462, 259930, TWO EACH 259459 AND WOOD SCREWS
936	508344	KNIFE GUIDE BAR BLOCK CPL. 200069, 200089	893	200570-805	BED HINGE CONNECTION SCREW (4)
937	200089	KNIFE GUIDE BAR BLOCK HINGE SCREW	894	202258	BED HINGE CONNECTION (2)
938	508363	KNIFE DRIVING BAR CPL. 508349, 508376, 512019	895	120342	OILER (COPPER PLATED) WITH 120343
939	508369	KNIFE DRIVING BAR SLIDE BLOCK	896	004822	WRENCH
940	512019	KNIFE DRIVING BAR SLIDE BLOCK WASHER RETAINING RING	897	225498	ROLLER PRESSER HINGE SCREW NUT WRENCH
941	508376	KNIFE DRIVING BAR SLIDE BLOCK WASHER	899	225498	SCREW DRIVER
942	508361	KNIFE DRIVING BAR COVER PLATE	900	144465	WRENCH (1/8 INCH HEXAGON)
943	201341-830	KNIFE DRIVING BAR COVER PLATE SCREW (2)	901	233939	BOBBIN (2)
944	200077-804	KNIFE BAR BUSHING SCREW	902	228476	SCREW DRIVER (BOBBIN CASE)
945	508345	KNIFE DRIVING CONNECTION CPL. 222013, 263623, 263624, 263627, 508378	903	041400	MACHINE REST PIN (WOOD)
946	508378	KNIFE BAR CONNECTION ROD	904	263577	PULLEY SPREADER CONE ADJUSTING KEY
947	508382	KNIFE BAR POSITION PLATE CPL. TWO EACH 910, 1735	960	241574	KNIFE (3)
948	001735-819	KNIFE BAR POSITION PLATE NUT (2)	---	1740-14-1	NEEDLE (5)
949	000910-833	KNIFE BAR POSITION PLATE SET SCREW (2)			
950	201402-803	KNIFE BAR POSITION PLATE SCREW (2)			
951	508381	KNIFE BAR GUIDE			
952	200380-830	KNIFE BAR GUIDE SET SCREW (2)			
953	508380	KNIFE BAR CPL. 508377, 508384, 508388, TWO EACH 208, 500323			
954	508388	KNIFE BAR			
955	000208-830	KNIFE BAR GUIDE SET SCREW (2)			
956	508384	KNIFE BAR GUIDE			
957	500323-830	KNIFE BAR SCREW (2)			
958	508377	KNIFE BRACKET CPL. TWO 500322			
959	500322-830	KNIFE BRACKET SCREW (2)			
960	241574	KNIFE			
961	508368	KNIFE DRIVING BAR GUIDE RAIL			
962	512020	KNIFE DRIVING BAR GUIDE RAIL PIN			
963	508379	KNIFE DRIVING BAR GUIDE RAIL			
964	508392-445	THROAT PLATE, 55 ELONGATED NEEDLE HOLE, (MINIMUM TRIMMING MARGIN .045) CPL. 141583, 508385, 508386-445, 508391-445			
965	508386-445	THROAT PLATE KNIFE FOLLOWER (.045")			
966	508385	THROAT PLATE KNIFE FOLLOWER SPRING			
967	508391-445	THROAT PLATE BODY (.045")			
968	141583-830	THROAT PLATE KNIFE FOLLOWER SCREW			
969	500324-830	THROAT PLATE SCREW (2)			
970	263782	ARM SHAFT BUSHING (FRONT) WITH 203100			
971	508375	KNIFE DRIVING ECCENTRIC CPL. TWO 624			
972	000624-833	KNIFE DRIVING ECCENTRIC SET SCREW (2)			
973	508383	NEEDLE BAR WITH 735			
974	000735-803	NEEDLE SET SCREW			
975	508387	HOOK AND BOBBIN CASE CPL. 241677, 508389			
976	508389	HOOK CPL. 201253, 201376, 241604, 263563, TWO 201409			
977	508370	HOOK POST CPL. 202, 212, 51326, 141580, 203478, 234426, 263421, 263476, 263480, 263481, 263482, 263568, 263593, 263594, 263826, 263833, 263837, 263838, 263899, 263522, 350611, 508387, TWO EACH 1448, 141674			
978	263839	HOOK SHAFT (VERTICAL) THRUST COLLAR WITH TWO 458			
979	000458-830	HOOK SHAFT (VERTICAL) THRUST COLLAR SCREW (2)			
980	263838	HOOK SHAFT (VERTICAL) BEARING (LOWER)			
981	263837	HOOK SHAFT (VERTICAL)			
982	051326	HOOK SHAFT (VERTICAL) THRUST WASHER SCREW			

ACCESSORIES