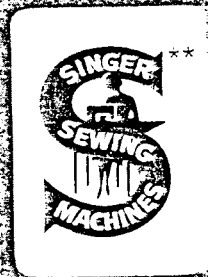


*Frank C. ...*

# Service Manual and Parts List

**SINGER**  
**236w**



THE SINGER MANUFACTURING COMPANY

# USE **SINGER\*\*** OILS and LUBRICANTS

*They insure freedom from lubricating trouble and give longer life to sewing equipment*

---

*The following are the correct lubricants for this machine:*

**TYPE A** — MANUFACTURING MACHINE OIL, LIGHT GRADE

*When an oil is desired which will produce a minimum of stain on fabrics, even after a long period of storage, use:*

**TYPE C** — MANUFACTURING MACHINE OIL, LIGHT GRADE

---

## OTHER **SINGER\*\*** LUBRICANTS

**TYPE E** — THREAD LUBRICANT

For lubricating the needle thread of sewing machines for stitching fabrics or leather where a thread lubricant is required.

**TYPE F** — MOTOR OIL

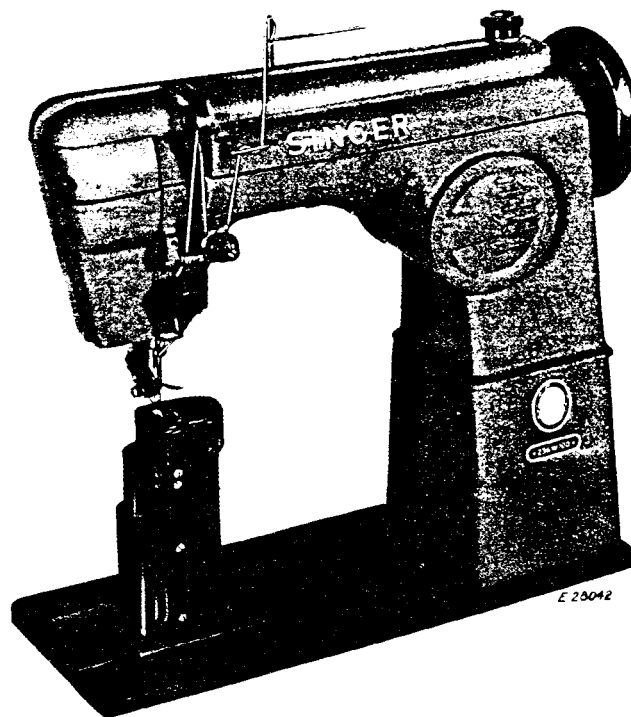
For oil lubricated motors and plain bearings in power tables and transmitters.

**NOTE:** All of the above oils are available in 1 quart, 1 gallon and 5 gallon cans.

**BALL BEARING LUBRICANT**

This pure grease is specially designed for the lubrication of ball bearings and ball thrust bearings of motors and electric transmitters, ball bearing hangers of power tables, etc. Furnished in 1 lb. and 4 lb. tins.

# SERVICE MANUAL AND PARTS LIST FOR **SINGER\*\* 236w**



**Post Bed**

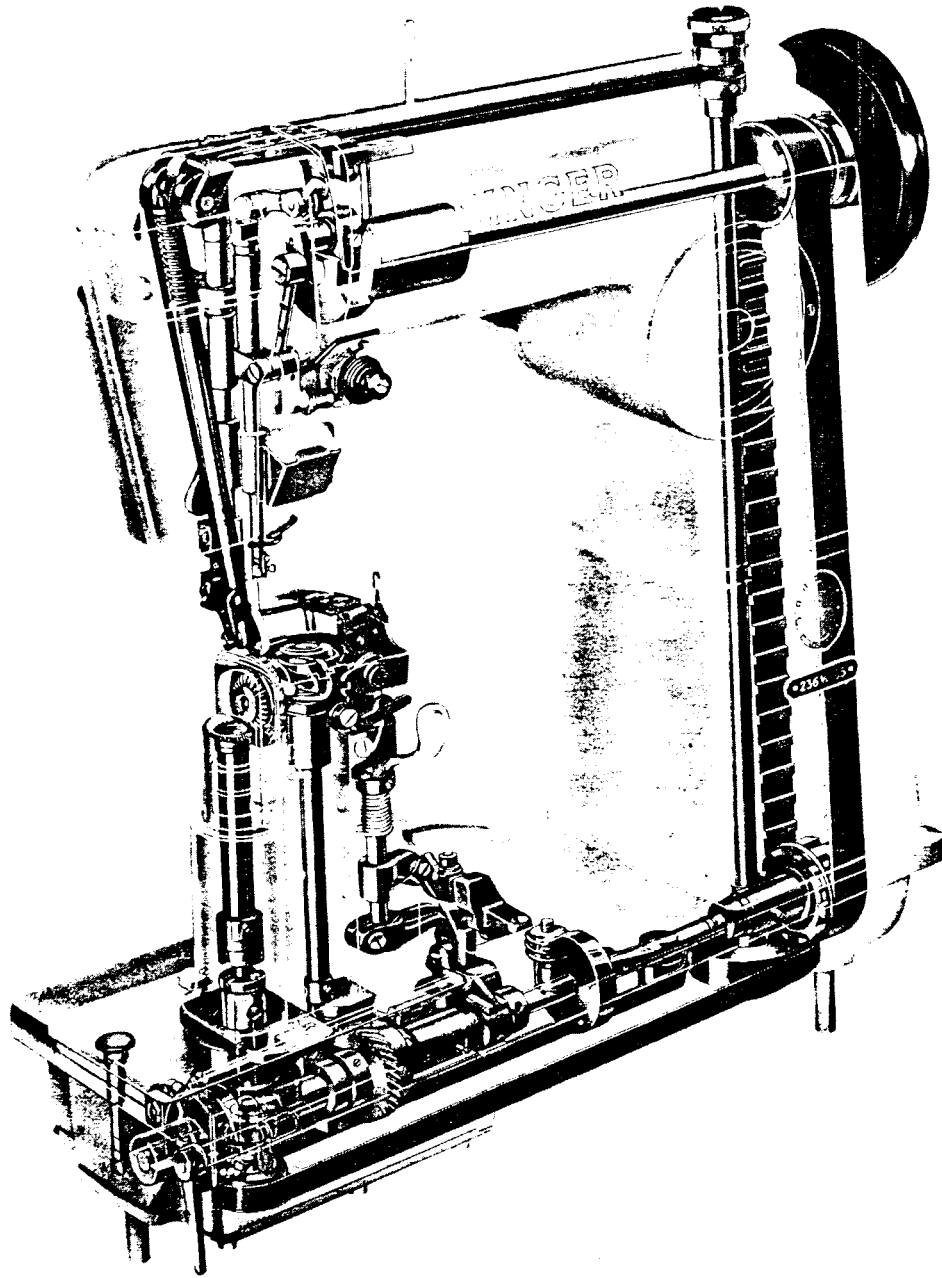
**High Speed  
Single Needle**

**Lock Stitch  
Roller Presser**

---

**THE SINGER MANUFACTURING COMPANY**

Copyright © 1959 by The Singer Manufacturing Company



## FOREWORD

This book contains complete information covering operation, adjustment, parts list, attachments and special fittings for the 236W Class Machines. Descriptions and exploded views of all parts assemblies on pages 15 to 103 inclusive will be found helpful when ordering any part of the machine requiring renewal.

## DESCRIPTION

Machines of Class 236W, for stitching shoes, sandals, slippers etc., have the following characteristics:

Single Needle Lock Stitch.

Ball Bearing Feed Wheel.

Belt Driven Roller Presser.

Vertical Axis Hook with Metered Lubrication.

Hook Driving Gears and Feed Clutch which operate in an Oil Bath.

Needle Bar Stroke 1-7/16 inches.

Clearance under Roller Presser 5/16 inch.

Bed 16 $\frac{3}{4}$  inches long, 7 inches wide.

Post 6-5/8 inches high, 1-7/8 x 2 inches at top.

Improved Mechanical Bobbin Case Opener.

Speed up to 3000 R.P.M., depending on material being stitched.

Machine Pulley with outside diameter of 5 $\frac{1}{4}$  inches. Belt groove diameter 2.9 inches, for 3/8 inch V-belt.

Machine 236W100 is a single needle, lock stitch, post bed machine, for stitching the edges of shoes, sandals, slippers, etc.

It has an intermittent ball bearing feed wheel which is adjustable for wear. The feed wheel operates in conjunction with the roller presser, both being driven by a "HORTON" type clutch.

The roller presser can be adjusted to drive at a different rate of speed than the feed wheel to control the feeding of plies of material.

Machine 236W104 is the same as Machine 236W100 except that it has a Horizontal Undertrimmer suspended from the arm which is mechanically driven by a one to one gear drive. The trimmer speed is dependent upon the machine speed.

Machine 236W105 is the same as Machine 236W100 except that it has a Horizontal Undertrimmer mechanically driven from the bed of the machine by a one to one eccentric drive. The trimmer speed is dependent upon the machine speed.

Machine 236W110 is the same as 236W100 except that it has an Oblique Underedge Trimmer which is driven by an Independent Motor in the arm of the machine. The Trimmer speed is constant and independent of the machine speed. The knife can be thrown into or out of action at the will of the operator without stopping the machine.

The trimmer motor is furnished for alternating current. Before connecting the motor to the electric service line, be sure that the markings on the motor correspond to those on the service watt meter.

Machine 236W111 is the same as 236W100 except that it has a Horizontal Undertrimmer which is driven by an Independent Motor in the bed of the machine. The trimmer speed is constant and independent of the machine speed. The knife can be thrown into or out of action at the will of the operator without stopping the machine.

The trimmer motor is furnished for alternating current. Before connecting the motor to the electric service line, be sure that the markings on the motor correspond to those on the service watt meter.

Machine 236W112 is the same as 236W100 except that it has a Horizontal Undertrimmer suspended from the arm which is driven by an Independent Motor in the arm of the machine. The trimmer speed is constant and independent of the machine speed. The knife can be thrown into or out of action at the will of the operator without stopping the machine.

The trimmer motor is furnished for alternating current. Before connecting the motor to the electric service line, be sure that the markings on the motor correspond to those on the service watt meter.

## TO OIL THE MACHINE

When the machine is received from the factory, it should be thoroughly cleaned and oiled.

Use "TYPE A" or "TYPE C" oil, sold by Singer Sewing Machine Company. See inside front cover of this book for description of these oils.

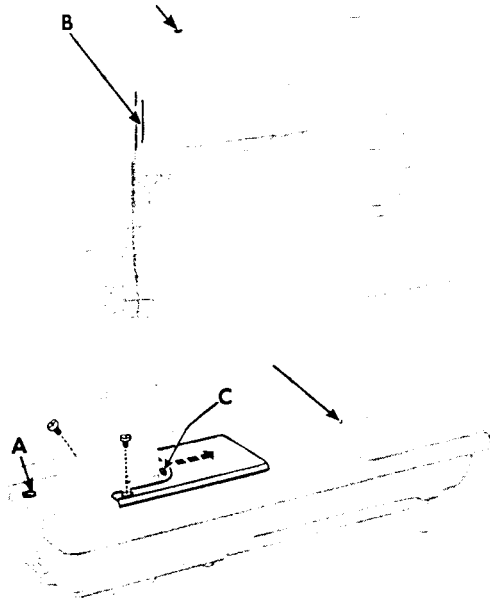


Fig. 2

Before starting machine, fill oil reservoir until the oil level is between the two marks on dip stick A, Fig. 2.

**NOTE:** This method of filling reservoir with correct amount of oil also applies to machines set in an oblique position.

Oil the wick of the needle bar connection link through the take-up slot B.

Also apply oil to the places indicated by the unlettered arrows in Fig. 2.

**NOTE:** When machine is in continuous use, check the oil level in the reservoir at least twice daily.

Every few weeks apply oil to the bobbin winder spindle. See Fig. 5.

### TO REGULATE THE OIL FLOW TO THE HOOK POST

The amount of oil received by the hook post is regulated by screw C, Fig. 2.

To regulate, remove the two screws in the base cover and slide the hook post base cover to the right as shown in Fig. 2. For full lubrication, turn screw C in as far as it will go. For less lubrication, turn screw C out. For most types of sewing, keep screw C one full turn out.

### SPEED

Machines of Class 236W will run at speeds up to 3000 revolutions per minute, but it is advisable to run a new machine at a more moderate speed for the first few days.

## NEEDLES

Needles for 236W Machines are of Class and Variety 128 x 6, and are made in Sizes 10, 11, 12, 13, 14, 15, 16, 18, 20, 22, 23 and 24.

The size of the needle to be used should be determined by the size of the thread which must pass freely through the eye of the needle. Rough or uneven thread or thread which passes with difficulty through the eye of the needle will interfere with the successful use of the machine.

Orders for needles must specify the Quantity required, the Size number, and the Class and Variety numbers separated by an x.

For example: "100 No. 14, 128 x 6 Needles"

**NOTE:** When ordering leather point needles, indicate point style desired, otherwise needles will be furnished with standard point style "reverse twist".

The best results will be obtained by using the needles sold by Singer Sewing Machine Company.

### THREAD

Left twist thread should be used in the needle. Either right or left twist can be used in the bobbin.

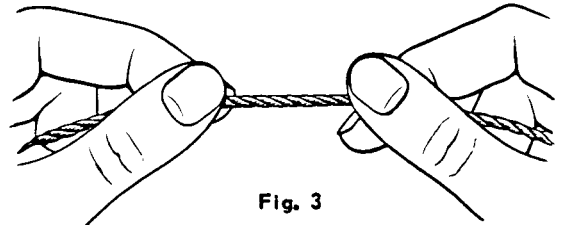


Fig. 3

### TO DETERMINE THE THREAD TWIST

Hold the thread as shown above. Turn the thread over toward you between the thumb and forefinger of the right hand. If left-twist, the strands will wind tighter; if right twist, the strands will unwind.

### TO REMOVE THE BOBBIN

Remove slide plate from top of post. Turn machine pulley over toward operator until needle bar moves up to its highest point. Place thumb or forefinger under projection E, Fig. 4, then lift out bobbin case cap and remove bobbin.

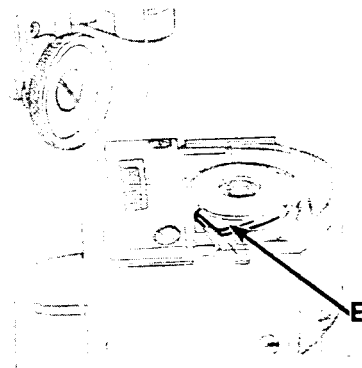


Fig. 4

## TO WIND THE BOBBIN

Place the bobbin on the bobbin winder spindle **J**, Fig. 5 and push it on as far as it will go. Next pass the thread through the thread guide **1** in the tension bracket and around the back of and between the tension discs **2**. Then wind the thread around the

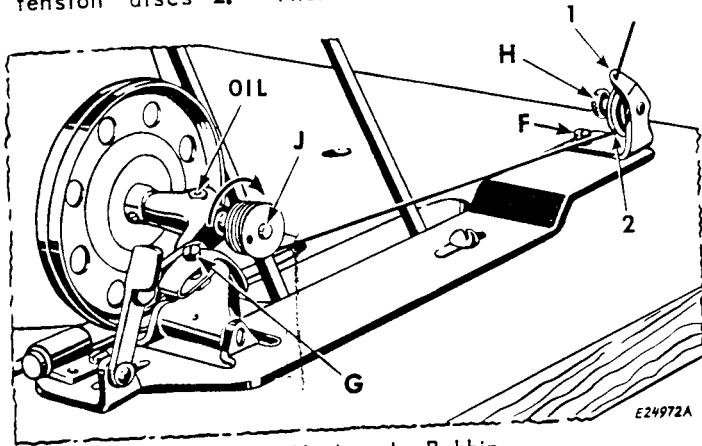


Fig. 5 Winding the Bobbin

bobbin a few times in the direction of the arrow. (When winding a fine thread, use a light tension.) Tension can be adjusted by turning the nut **H**. Push the bobbin winder pulley over against the machine belt and start the machine.

If the thread does not wind evenly on the bobbin, loosen screw **F** and move the tension bracket to the right or left as required, then tighten screw **F**.

The amount of thread wound on the bobbin is determined by screw **G**. To wind more thread, turn the screw in; for less thread, turn the screw out. When enough thread has been wound on the bobbin, the winder will stop automatically. Bobbins can be wound while the machine is stitching.

## TO THREAD THE BOBBIN CASE CAP

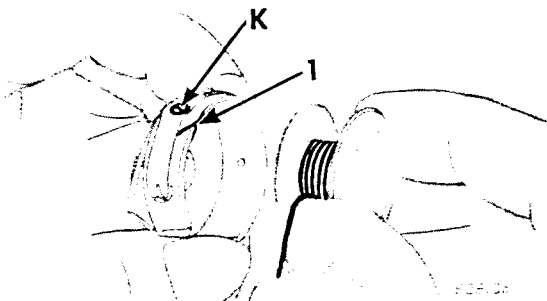


Fig. 6

Hold bobbin and bobbin case cap as shown in Fig. 6. Be sure slot **1** is near the top and that the bobbin thread draws on the bottom from right to left.

Place bobbin into bobbin case cap. Pull thread into slot **1**, as shown in Fig. 7, then down and under tension spring **2**, as shown in Fig. 8.

## TO REPLACE THE BOBBIN CASE CAP

After threading, place cap (containing bobbin) on center stud of bobbin case base. Be sure projection **E** is in the position shown in Fig. 9. Lead thread out through slot as shown. Push down latch **L** and then replace slide plate.

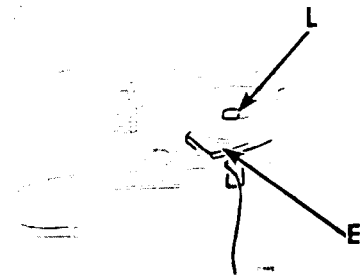


Fig. 9

## TO SET THE NEEDLE

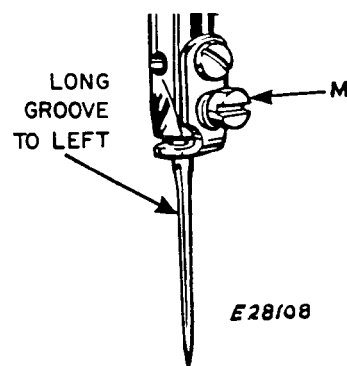


Fig. 10

Turn the machine pulley over toward you until the needle bar reaches its highest point. Loosen set screw **M** and put the needle up into the bar as far as it will go, with the long groove to the left and the needle eye in line with the arm of the machine. Then tighten set screw **M**.

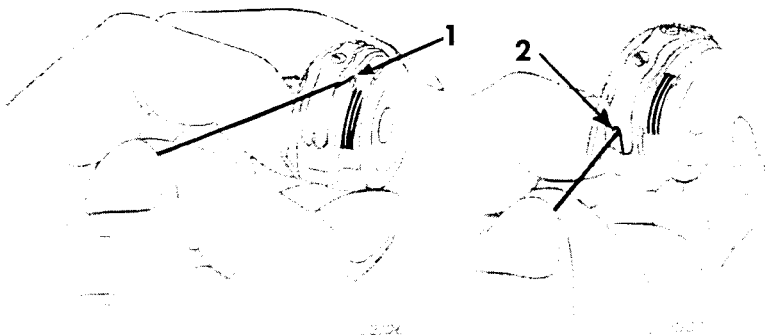


Fig. 7

Fig. 8

## UPPER THREADING

From the unwinder, pass the thread from back to front through hole 1, from right to left through hole 2, down through hole 3, up through hole 4, down through hole 5, down under from right to left between tension discs 6, up under controller spring 7, until it enters retaining fork 8, up and over thread guide 9, from right to left through hole 10, down and over thread guide 11, into thread retainer 12, through thread lubricator 13, down through thread guides 14 and 15 and from left to right through eye of needle 16.

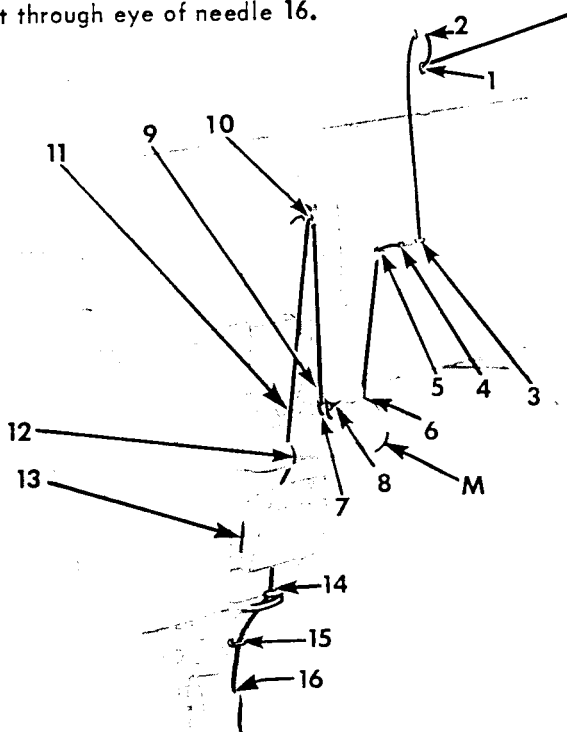


Fig. 11

Draw about three inches of thread through eye of needle with which to start sewing.

## TO PREPARE FOR SEWING

With the left hand, hold the end of the needle thread, leaving it slack from hand to needle. Turn machine pulley over toward you until needle moves down and up again to its highest point, catching the bobbin thread. Draw up the needle thread and the bobbin thread will come with it through hole in throat plate. Lay both threads back under the roller presser.

## TO START SEWING

Place the material under the roller presser, lower the roller presser and start to sew. Hold threads until the first stitch is made.

## TO REMOVE THE WORK

Stop machine with thread take-up lever at its highest point, raise roller presser, draw work back and cut threads close to the work.

## TENSIONS

The needle and bobbin threads should be locked in the center of the thickness of the material as shown in Fig. 12.



Fig. 12

If the tension on the needle thread is too tight, or if that on the bobbin thread is too loose, the needle thread will lie straight along the upper surface of the material as shown in Fig. 13.



Fig. 13

If the tension on the bobbin thread is too tight, or if that on the needle thread is too loose, the bobbin thread will lie straight along the under side of the material as shown in Fig. 14.



Fig. 14

## TO REGULATE THE TENSION

The tension on the needle thread is regulated by thumb nut M, Fig. 11. To increase the tension, turn thumb nut M over to the right. To decrease the tension, turn the thumb nut over to the left.

The tension on the bobbin thread is regulated by screw K, Fig. 6. To increase the tension, turn screw K over to the right. To decrease the tension, turn the screw over to the left.



## TO CHANGE THE LENGTH OF STITCH

With the left hand push lever P, Fig. 15 back away from operator and at the same time turn machine pulley over toward operator until latch Q enters a notch in the adjustable feed driving eccentric R. Still holding lever P, turn machine pulley until the desired number of stitches per inch is shown in stitch length indicator S, then release lever P.

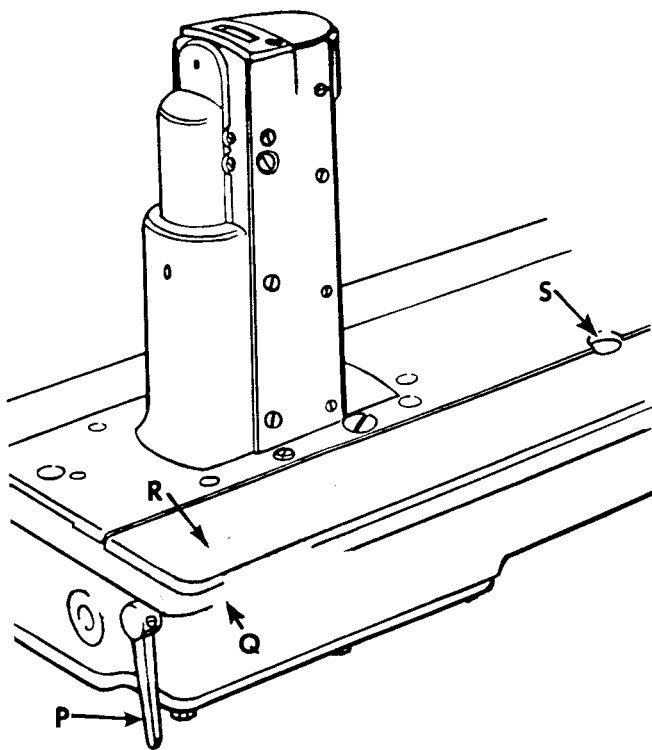


Fig. 15

## TO REGULATE THE PRESSURE ON THE MATERIAL

The pressure of the roller presser on the material is regulated by screw Q2, Fig. 17. Turn this screw to the right (down) to increase the pressure or to the left (up) to decrease the pressure. The pressure should be only sufficiently heavy to feed the work evenly.

## TO SET NEEDLE BAR AT CORRECT HEIGHT



Fig. 16

When the needle bar is at its lowest position, the upper timing mark T should be just visible at the lower end of needle bar bushing, as shown in Fig. 16.

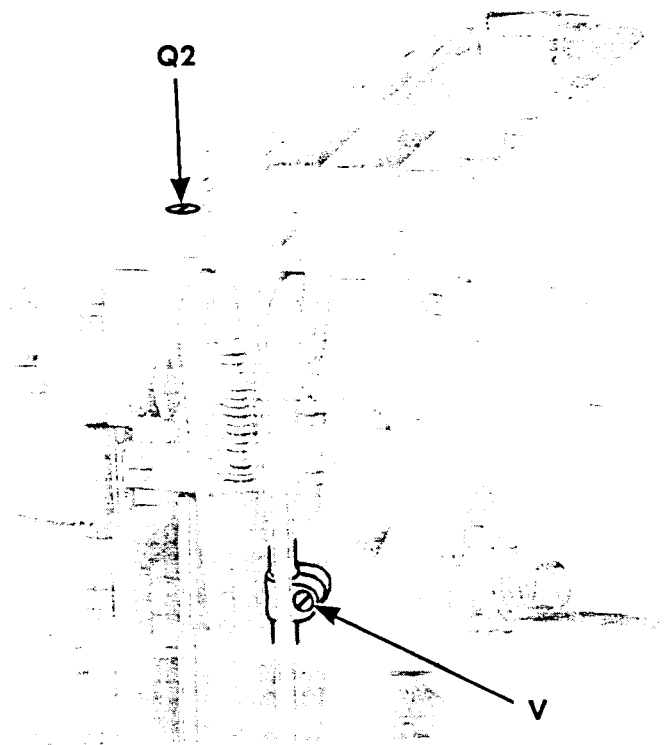


Fig. 17

To set, loosen screw V, Fig. 17 and move needle bar to the correct height, then tighten screw V.

### TO SET SEWING HOOK TO OR FROM THE NEEDLE

To prevent the point of the sewing hook from dividing the strands of thread, the hook should run as close to the needle (within the scarf) as possible, without actually touching the needle.

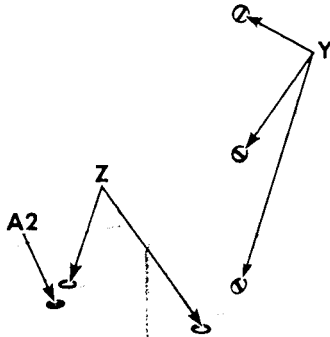


Fig. 18

To set, first remove base cover plates, slide plate, throat plate and bobbin case cap for clearer view of hook. Then loosen the six screws Y, Figs. 18 and 19 and the two screws Z, Fig. 18. Turn machine pulley over toward operator until point of sewing hook is at center of needle. To move hook post closer to needle, turn eccentric screw A2, Fig. 18 counterclockwise. To move hook post away from needle, turn eccentric screw A2 clockwise.

After setting, push hook post to back edge of slot in bed (away from operator), then tighten the two screws Z and the six screws Y.

### TO TIME THE SEWING HOOK

Be sure needle bar is set at correct height.

Turn machine pulley over toward operator until needle bar rises from its lowest position and the lower timing mark U, Fig. 16 is just visible at the lower end of needle bar bushing. The point of the sewing hook should then be at the center of the needle approximately 1/16 inch above the eye.

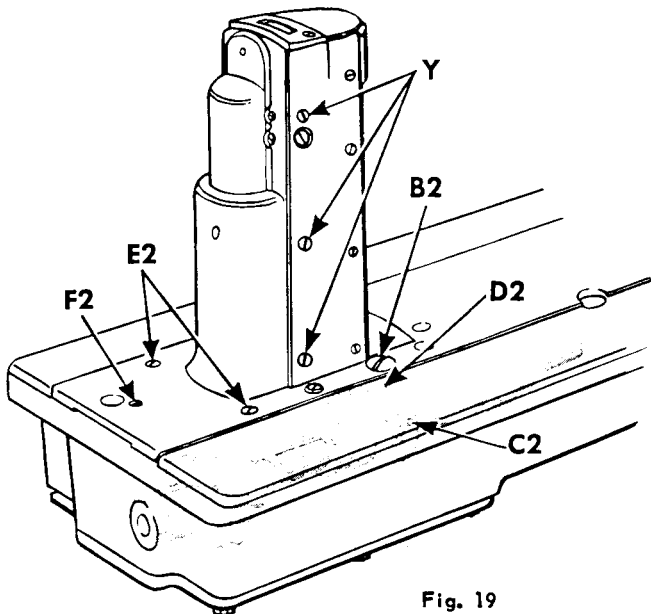


Fig. 19

To time the sewing hook, first remove base cover plates, slide plate, throat plate and bobbin case cap for clearer view of hook. Then remove screw B2, Fig. 19. Through the hole left in the bed, locate set screws C2 and D2 in hub of gear. Loosen set screw D2 first. Then turn machine pulley 1/4 turn away from operator and loosen set screw C2. Manually set hook to position previously described, then tighten screws D2 and C2. Replace screw B2.

### TO ADJUST SIDEWISE POSITION OF FEED WHEEL

The feed wheel should never touch the sides of the throat plate slot, but should be in sidewise alignment with the roller presser.

Loosen the six cover screws Y, Figs. 18 and 19. Loosen the two feed post screws E2, Fig. 19. To move feed wheel toward needle, turn eccentric screw F2 clockwise. To move feed wheel away from needle, turn eccentric screw F2 counterclockwise. After adjustment, tighten the six cover screws Y, Figs. 18 and 19 and the feed post screws E2, Fig. 19.

### TO ADJUST HEIGHT OF FEED WHEEL

The feed wheel should be set so that slightly less than the full depth of the teeth project through the feed wheel slot in the throat plate.

The height of the feed wheel is regulated by eccentric stud G2, Fig. 20. To raise or lower the feed wheel, loosen the set screws H2 and J2 and turn eccentric stud G2 to the right or left until the feed wheel is at the desired height, then securely tighten the set screws H2 and J2.

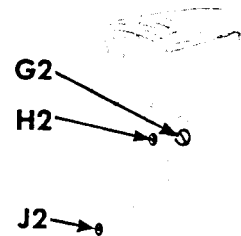


Fig. 20

### TO ADJUST THE TOP DRIVE ADJUSTABLE PULLEY

To change the rate of feed of the roller presser in relation to the feed wheel, first loosen knurled clamping nut K2, Fig. 21. Insert key wrench L2 into spreader cone M2. Turn key clockwise to feed top ply slightly faster than bottom ply. Turn key counterclockwise to feed bottom ply slightly faster than top ply. After adjustment, tighten clamping nut K2.

## TO ADJUST THREAD TAKE-UP SPRING

The take-up spring **S2**, Fig. 23 should usually have just enough movement so that it will be through acting and will rest against upper end of spring regulator **R2** when needle is 1/16 inch above material on its downward stroke. The spring should act a slight amount as the thread passes around the bottom of the hook and also as the thread is cast off the hook.

To set take-up spring, loosen set screw **T2** and, by means of stud **U2**, position spring regulator as required. Then tighten screw **T2**.

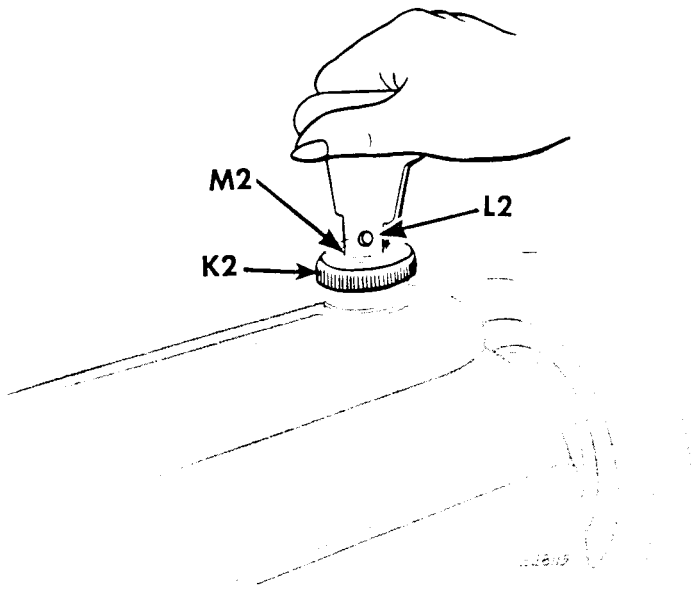


Fig. 21

## TO ADJUST THE BOBBIN CASE OPENER

Remove slide plate and loosen hook post screws **N2**, Fig. 22. Set bobbin case opener **P2** so that it touches the bobbin case **Q2** as lightly as possible, yet turns the bobbin case enough to make a sufficient opening for free thread passage between throat plate and bobbin case. Then tighten screws **N2** and replace slide plate.

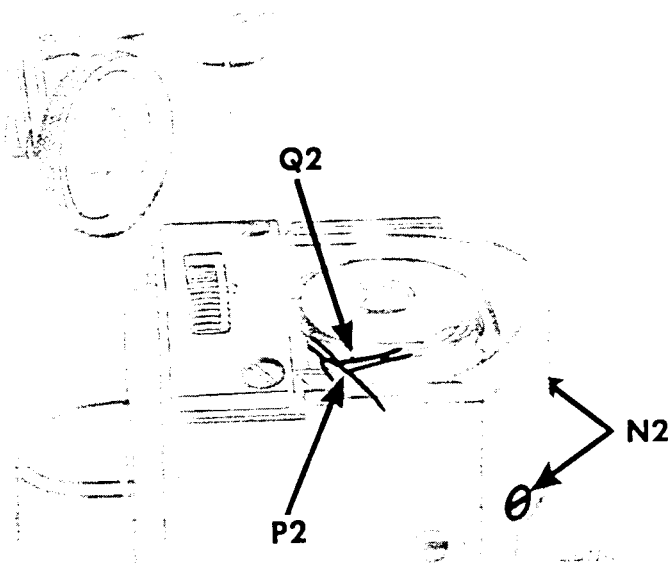


Fig. 22

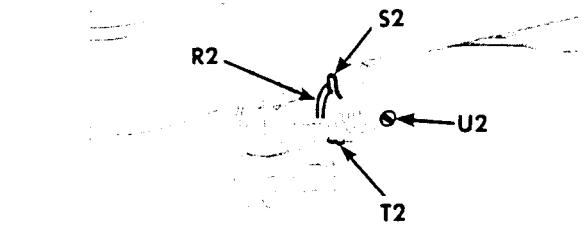


Fig. 23

To regulate tension on take-up spring, first be sure screw **T2** is tight. Then turn stud **U2** over to the left to increase tension or over to the right to decrease tension.

The take-up spring may require different tension settings for different sizes of thread; heavy thread requires more tension than light thread.

The above instructions apply to average sewing. Adjustments in both stroke and tension may have to be made to suit special conditions.

### TO REMOVE AND REPLACE THE SEWING HOOK

Remove bobbin case cap and bobbin as instructed on page 4. Remove the hook gib screw V2, Fig. 24 and swing back the gib to allow base of bobbin case to be taken out. Remove screw W2 from the center of the hook. Tap hook slightly on the bottom of its rim to force it from its socket. Do not try to pry it out, as prying may bend the shank of the hook.

When replacing hook, be sure the prongs of the shank enter the slot at the bottom of the socket, otherwise the hook will be out of time. Then replace and tighten screw W2.

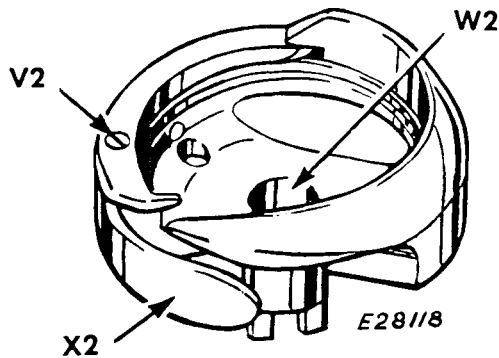


Fig. 24

### NEEDLE GUARD

The function of the needle guard X2 is to prevent the point of the hook from striking the needle, if, when passing through the material, the needle is deflected toward the hook.

The upright portion of the needle guard should be sprung with a screwdriver until it prevents the hook point from striking the needle. It should not, however, be sprung out enough to deflect the needle from its normal path.

### TO REMOVE AND REPLACE THE ROLLER PRESSER DRIVING BELT (UPPER)

Raise roller presser. Remove clamping nut K2, Fig. 21. Remove arm top cover and face plate. Remove adjusting rod C by lifting rod up and out of socket D. Slip belt off spreader cone E. Raise idler pulley bracket F, insert a screwdriver in between retaining rings G and spindle H, then twist the screwdriver and the rings will snap out. With a brass drift pin, tap spindle H free of bracket F, this will release the idler pulleys J and the belt can be removed.

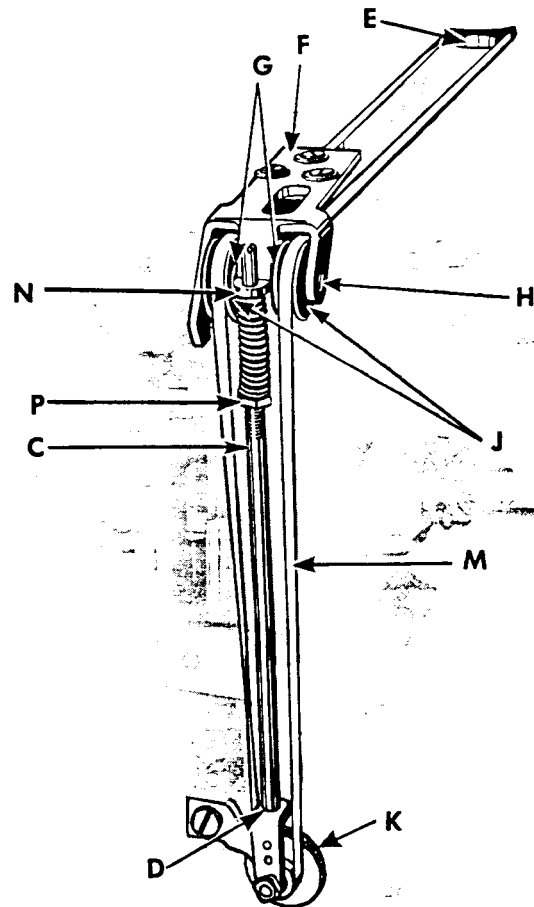


Fig. 25

To replace, slip belt M into belt pulley of roller presser K, up under idler pulley bracket F and over spreader cone E. Insert spindle H through bracket F and pulleys J, being certain that the pulleys are under belt M. Slip retaining rings G into position and, with a screwdriver, push rings until they snap into the spindle slot. Insert spring end of adjusting rod C into hole N, then push rod C up and slip its lower end into socket D. Adjust belt tension by turning nut P counterclockwise to increase tension or clockwise to decrease tension. Replace face plate, arm top cover and clamping nut.

## TO REMOVE THE FEED WHEEL

Remove the feed wheel cover and the throat plate. Loosen set screw **R**, Fig. 26 and clamp screw **S**. Remove stud screw **U**, press pinion gear **T** down, and with a slight pressure the feed wheel **V** will snap off.

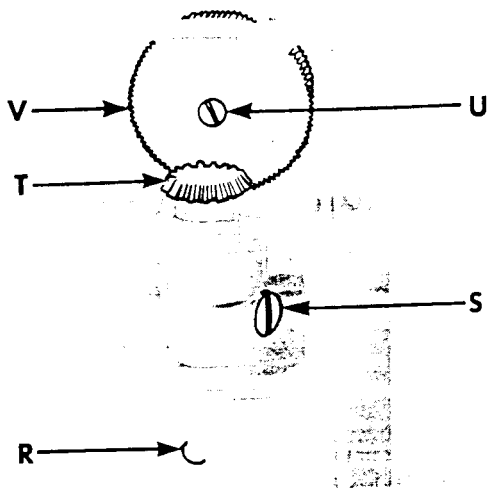


Fig. 26

## HINTS FOR PERFECT OPERATION

- Follow instructions and oil machine regularly.
- The machine pulley must always turn over toward the operator.
- Do not run the machine with the roller presser resting on the feed wheel without material under the roller presser.
- Do not run the machine when both bobbin case and needle are threaded, unless there is material under the roller presser.
- Do not try to help the machine by pulling the material.  
The machine feeds without assistance.
- The slide over the bobbin case should be kept closed when the machine is in operation.
- Do not touch the stitch regulator lever while the machine is running.

The following three pages pertain to the operation and adjustment of the trimmer mechanism.

## SPECIAL INSTRUCTIONS FOR MACHINES 236W104 AND 236W112

### To Operate the Trimmer Mechanism

To throw knife out of action, press lever **A2**, Fig. 27 and move knife driving arm **B2** as far back as it will go.

To throw knife into action, move knife driving arm **B2** forward until it snaps into place.

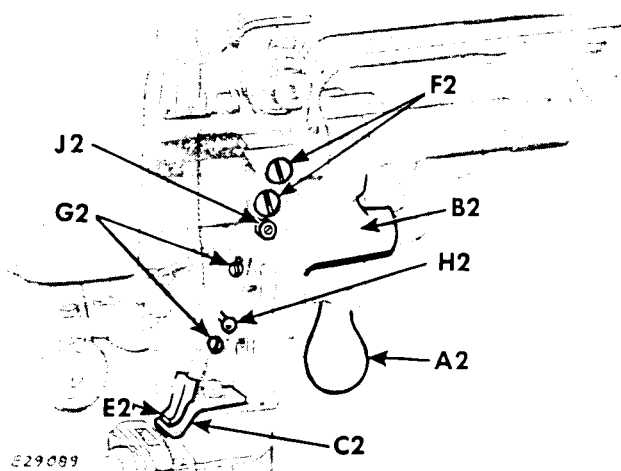


Fig. 27

### To Time the Trimmer Mechanism (Machine 236W104 Only)

Knife **C2**, Fig. 27 should be timed so that it is at its most forward position (toward the operator and 1/32 inch in front of needle) when needle bar is at its lowest position.

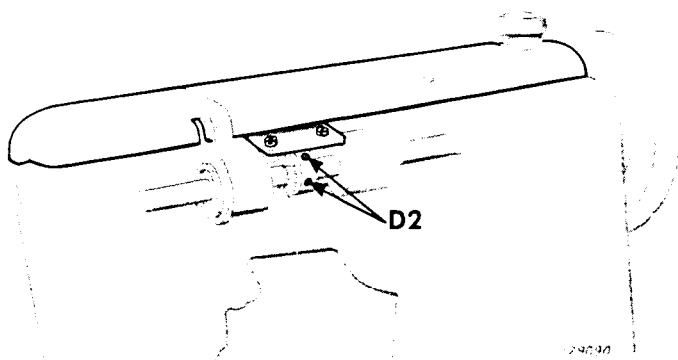


Fig. 28

To time knife, remove arm top cover and gear cover plate. Then loosen gear set screws **D2**, Fig. 28 and rotate gear on its shaft until correct timing of knife is obtained. Tighten set screws **D2**, then replace gear cover plate and arm top cover.

### To Adjust the Edge Guide

Edge guide **E2**, Fig. 27 can be adjusted so that the knife will trim the edge of the under ply from .015 inch to 1/8 inch under the edge of upper ply.

To adjust, loosen two screws **F2**, Fig. 27 and move edge guide bracket as required. Then tighten screws **F2**.

The edge guide should be set at a height that will permit knife to pass freely under it with edge guide lightly touching top of knife.

To adjust, loosen two screws **G2**, Fig. 27 and raise or lower guide bracket as required. Then tighten screws **G2**.

To disengage edge guide, raise lifting pin **H2**, Fig. 27 until it locks in place.

To engage edge guide, pull plunger **J2** thereby releasing guide and returning it to its engaged position.

### To Regulate Tension on Trimmer Motor Belt (Machine 236W112 Only)

Tension on belt should be only heavy enough to keep belt from slipping.

To adjust, remove arm back cover, loosen set screw **L**, Fig. 34 and turn screw **M** until correct belt tension is obtained. Then tighten screw **L**.

## SPECIAL INSTRUCTIONS FOR MACHINES 236W105 AND 236W111

### To Operate the Trimmer Mechanism

To throw knife out of action, press down plunger **L2**, Fig. 29.

To throw knife into action, press lever **M2** until plunger snaps into position.

### To Time the Trimmer Mechanism (Machine 236W105 Only)

Knife **K2**, Fig. 29 should be timed so that it is at its most forward position (toward the operator and 1/32 inch in front of the needle) when needle bar is at its lowest position.

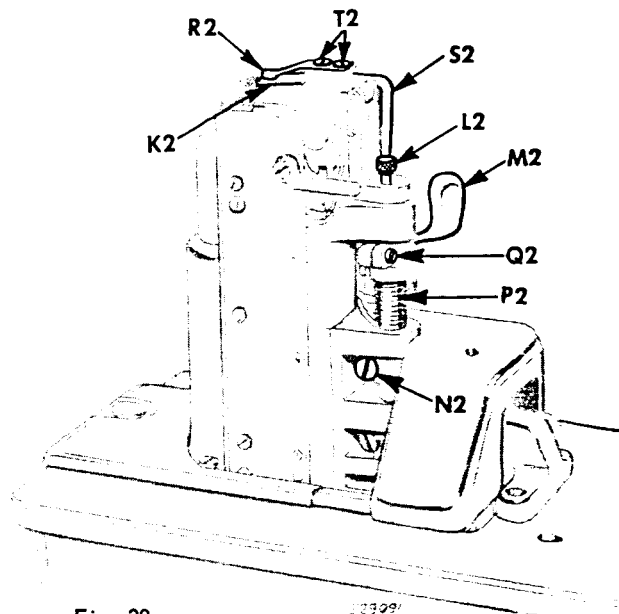


Fig. 29

To time knife, tip machine back and loosen two set screws in the eccentric U2, Fig. 30. Turn eccentric on its shaft until the furthest forward movement of knife is obtained while needle bar is at its lowest position. Then tighten two set screws in eccentric U2.

To position knife 1/32 inch in front of needle (toward operator), loosen screw N2, Fig. 29 and turn shaft P2 by means of lever M2 until correct position of knife is obtained. Then tighten screw N2.

After knife has been retimed and set, loosen screw Q2 and reset knife guard S2. Then tighten screw Q2.

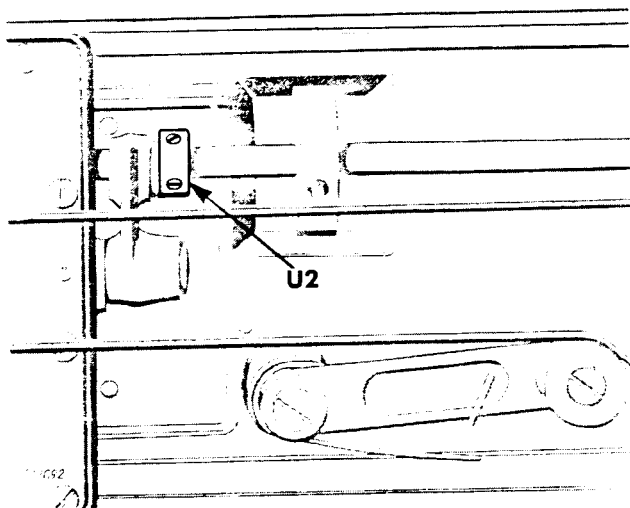


Fig. 30

#### To Adjust the Edge Guide

The edge guide R2, Fig. 29 can be adjusted so that the knife will trim the edge of the under ply from .015 inch to 1/8 inch under the edge of the upper ply.

To adjust, loosen two screws T2, Fig. 29 and move edge guide as desired. Then tighten screws T2.

If desired, the edges of both upper and under pieces of material can be trimmed simultaneously.

#### To Regulate Tension on Trimmer Motor Belt (Machine 236W111 Only)

Tension on belt should be only heavy enough to keep belt from slipping.

To adjust, loosen three motor cover screws Fig. 31 and turn adjusting screw W2, Fig. 32 clockwise until the correct belt tension is obtained. Then tighten cover screws.

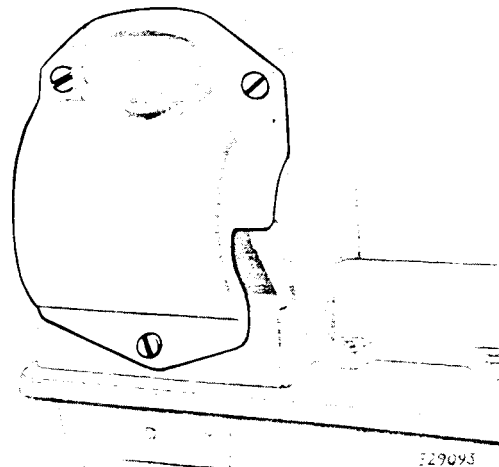


Fig. 31

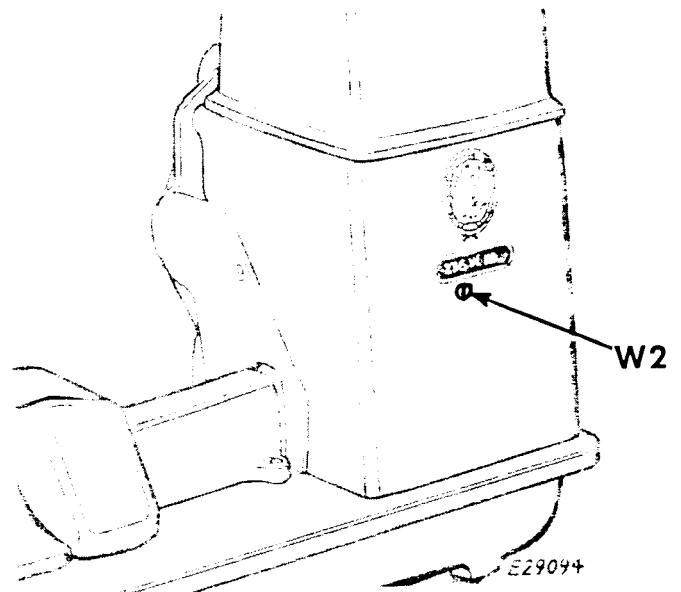


Fig. 32

### SPECIAL INSTRUCTIONS FOR MACHINE 236W110

#### To Operate the Trimmer Mechanism

To throw knife out of action, press lever C, Fig. 33 to the left.

To throw knife into action, press lever C to the right.

The knife J, Fig. 33 is held obliquely in correct position for cutting the linings smoothly and rapidly from under the bead edge of the uppers, and may be thrown into or out of action as desired while stitching is in process.

### To Regulate Tension on Trimmer Motor Belt

Tension on belt should be only heavy enough to keep belt from slipping.

To adjust, remove arm back cover, loosen set screw L, Fig. 34 and turn screw M until correct belt tension is obtained. Then tighten screw L.

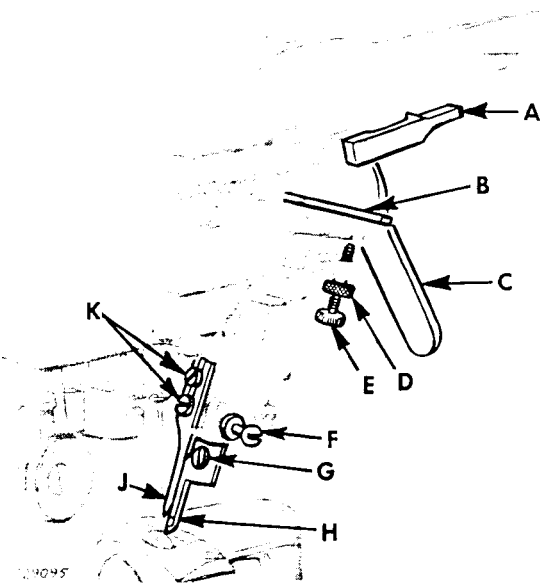


Fig. 33

### Edge Guide Finger

The purpose of the edge guide finger H, Fig. 33 is to keep edge of shoe upper out of range of trimmer knife J, thereby preventing knife from cutting the edge of shoe upper while stitching and trimming are in process.

### Height Adjustment of Edge Guide Finger

The edge guide finger must be set at a height that will permit the facing or lining to pass freely under it to the knife while protecting the edge of the shoe upper.

To adjust, loosen lock nut D, Fig. 33 and turn thumb screw E up to raise guide finger or down to lower guide finger. Then tighten lock nut D.

### Sidewise Adjustment of Edge Guide Finger

When correctly set, edge guide finger H should be slightly to the left of knife J.

To adjust, loosen screw F and move edge guide finger holder to correct position. Then tighten screw F.

### Endwise Adjustment of Edge Guide Finger

The back of edge guide finger H should be set as close as possible to knife J without striking it.

To adjust, loosen screw G and move edge guide finger to correct position. Then tighten screw G.

### To Disengage Edge Guide Finger

Hang up the guide finger bar by pressing down latch A.

### To Raise Edge Guide with Knife

Move lever B to the right while knife is down.

### To Raise Knife Without Raising Edge Guide

Move lever B to the left.

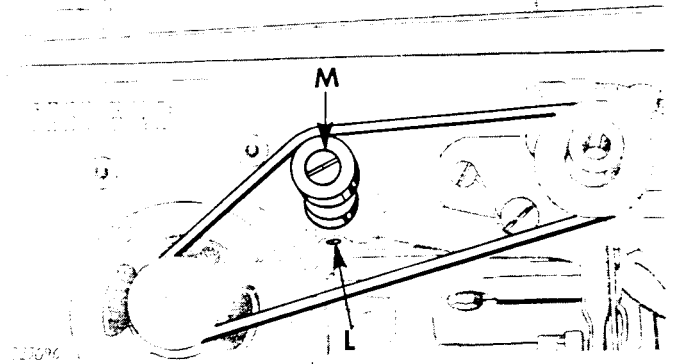


Fig. 34

### To Change the Trimming Margin

Each throat plate has but one trimming margin. This margin is measured from the center of the needle hole to the cutting edge of the throat plate and may be .015, .025, .035 or .050 inch from stitching line depending on throat plate used.

### To Set Knife

The knife descends obliquely and must be set so that the cutting edge will press against and pass just below cutting edge of throat plate to ensure a shear cut.

To set sidewise position of knife, loosen screw N, Fig. 35 and move knife holder as required. Then tighten screw N.

To set height of knife, loosen two screws K, Fig. 33 and raise or lower knife as required. Then tighten screws K.

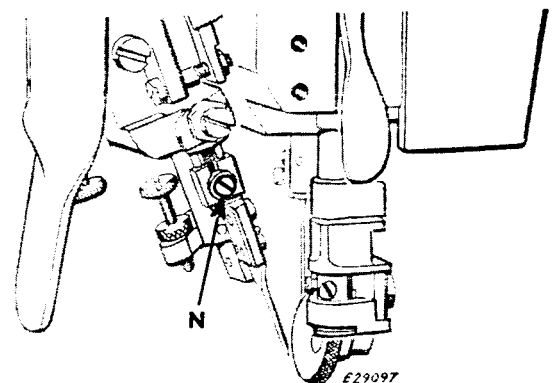


Fig. 35



## INSTRUCTIONS FOR ORDERING

To simplify ordering of parts, exploded views of the various sections of the mechanism are shown in the same illustration as the assembly of those parts. On the page opposite the illustration is a list of parts with key or reference numbers to indicate the position of that part in the illustration. These key numbers in the first column are for reference only and are not to be used in ordering parts.

In ordering from this list, use ONLY the PART number in the SECOND column.

The number stamped on a Sewing Machine Part is the number of the single part only.

Every combination of parts sent out has its specific number which, although not stamped on Parts must be used when ordering the combination.

Each number always indicates the SAME PART in whatever list it appears, or for whatever Machine.

The letters after some of the numbers indicate the style of finish only, as follows:

AL	Heat Treated for Toughness.
ALX	Heat Treated for Toughness and Black Oxide.
C	Hardened only.
D	Polished only.
E	Soft, Not polished.
F	Hardened and Polished.
X	Black Oxide, for Iron and Steel.
XC	Hardened and Black Oxide, for Iron and Steel.

These letters MUST BE USED when they appear in the list and AFTER the number, as in the list.

In this series:

1 to 1500, 20001 to 201500 and 350001 to 351500 are Screw Numbers.  
 1501 to 1800, 201501 to 201800 and 351501 to 351800 are Nut Numbers.  
 1801 to 2000, 201801 to 202000 and 351801 to 352000 are Roller Numbers.  
 2001 to 50000 and 202001 to 350000 are Numbers of Machine Parts.

Parts marked with an asterisk (\*) are furnished only when repairs are made at the factory; these (\*) parts are named at bottom of descriptive list opposite illustration.

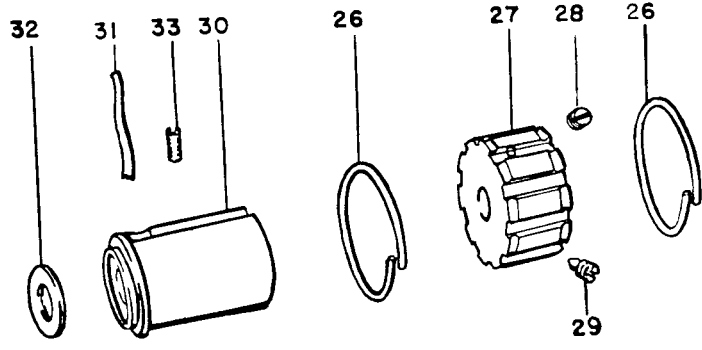
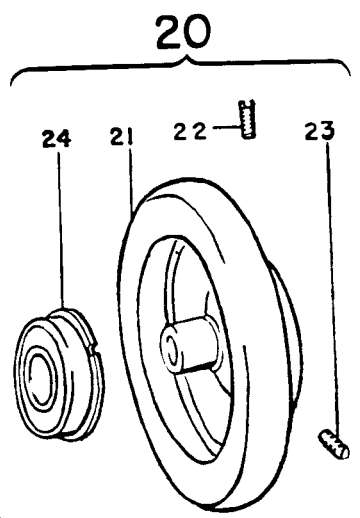
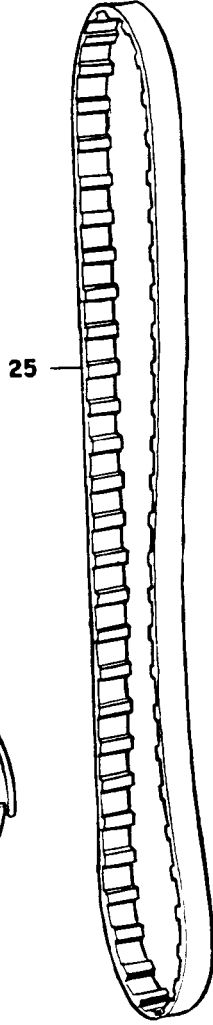
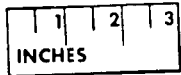
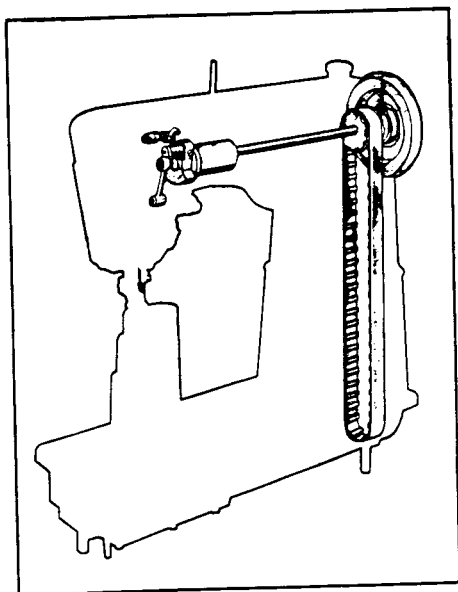
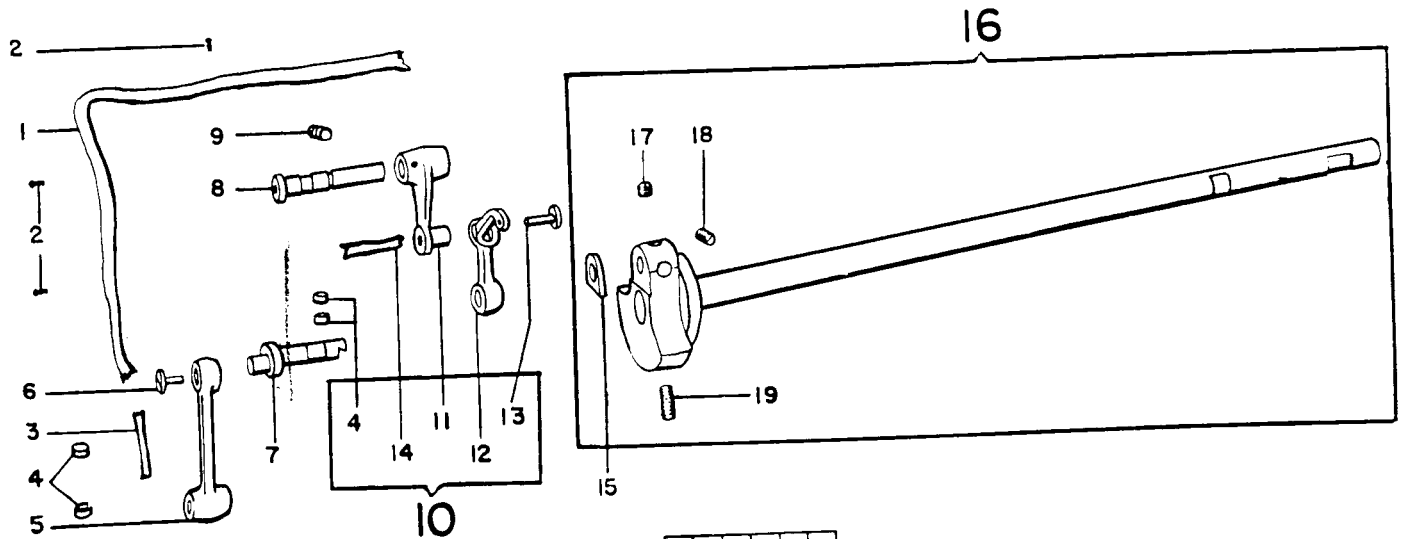
## PARTS FOR MACHINE No. 236w100

## ARM SHAFT AND TAKE-UP ASSEMBLY

Ref. No.	Part No.	Description
1	263560	Needle Bar and Take-up Oiling Wick
2	228485	Oiling Wick Retaining Screw (3)
3	263570	Needle Bar Connecting Link Oil Packing (wick)
4	263571	Oil Packing (wick) Spring Clamp (2)
5	263492	Connecting Link
6	1130E	Link Cap Screw
7	263540	Take-up Lever Crank
8	263544	Take-up Lever Link Hinge Stud
9	200347AL	Hinge Stud Set Screw
10	263539	Take-up Lever 263538 with 12166, 263543, 263572 and two 263571
11	263543	Take-up Lever Link
12	263538	Take-up Lever
13	12166	Lever Hinge Stud
14	263572	Link Oil Packing (wick)
15	263545	Link Position Plate
16	263573	Arm Shaft *263406 with 200333C, 200362C, 200382ALX and *263493
17	200382ALX	Lever Crank Set Screw
18	200362C	Lever Crank Set Screw
19	200333C	Needle Bar Crank Position Screw
20	263488	Machine Pulley 263487 with 272142
21	263487	Machine Pulley (aluminum alloy casting) for "V" belt (outside diam. of belt groove 2.9 in.) (rim diam. 5-1/4 in.) with 200327C and 200328C
22	200327C	Pulley Set Screw
23	200328C	Pulley Position Screw
24	272142	Ball Bearing (back)
25	263409	Connection Belt (reinforced neoprene)
26	214206	Pulley Spring Flange
27	263410	Belt Pulley with 200363AL, 350492C and two 214206
28	200363AL	Pulley Set Screw
29	350492C	Pulley Position Screw
30	263408	Arm Shaft Bushing (front) with 203100
31	203100	Bushing (front) Oil Packing (wick)
32	203172	Needle Bar Crank Friction Washer
33	200338C	Arm Shaft Bushing (front) Set Screw
	*263406	Arm Shaft
	*263493	Needle Bar Crank

# PARTS FOR MACHINE No. 236w100

## ARM SHAFT AND TAKE-UP ASSEMBLY



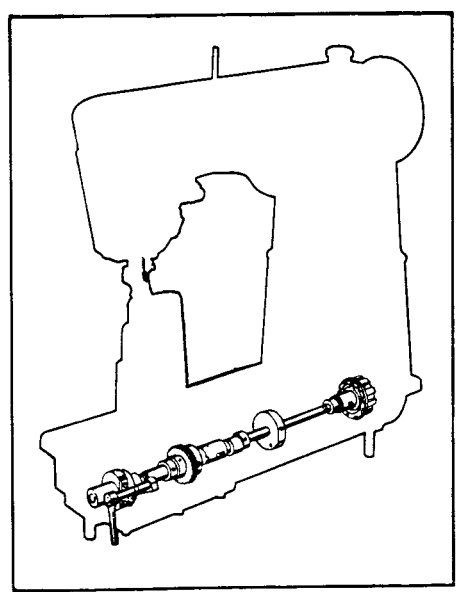
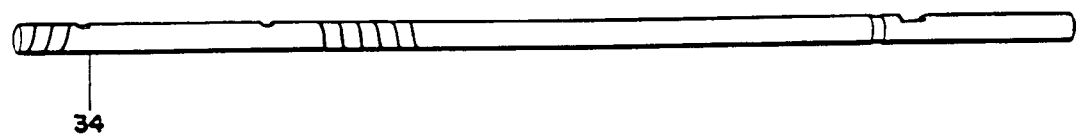
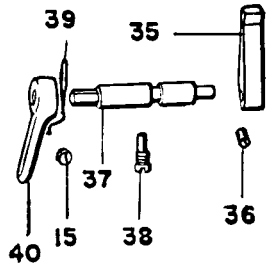
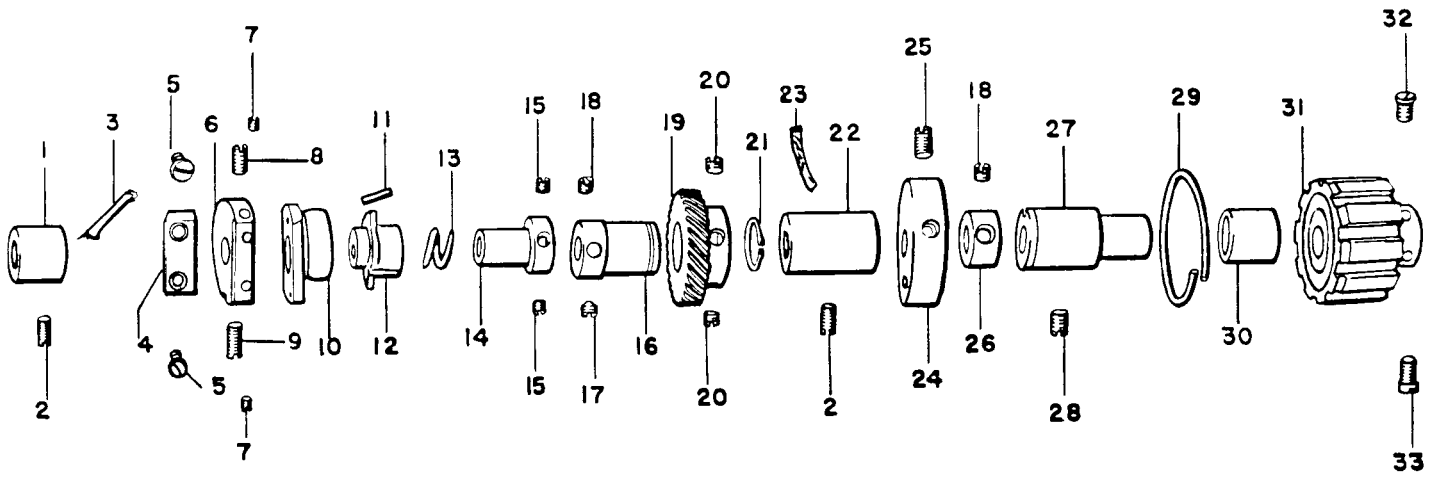
## PARTS FOR MACHINE No. 236w100

## FEED AND HOOK DRIVING SHAFT ASSEMBLY

<u>Ref. No.</u>	<u>Part No.</u>	<u>Description</u>
1	263467	Bushing (front) with 272115
2	200958C	Bushing Set Screw (2)
3	272115	Bushing (front) Oil Packing (wick)
4	263567	Feed Driving Eccentric Friction Plate
5	350548C	Friction Plate Adjusting Screw
6	263437	Feed Driving Flange with 200333C, 200346C, 263567, two each 350477C and 350548C
7	350477C	Adjusting Screw Set Screw
8	200333C	Flange Position Screw
9	200346C	Flange Set Screw
10	263429	Feed Driving Eccentric with 215057
11	215057	Eccentric Adjusting Eccentric Pin
12	263430	Eccentric Adjusting Eccentric
13	263435	Eccentric Adjusting Eccentric Spring
14	263436	Eccentric Adjusting Eccentric Spring Adjusting Collar with two 200394C
15	200394C	Set Screw
16	263472	Gear (spiral) Sleeve with 200378C and 201220ALX
17	201220ALX	Gear (spiral) Sleeve Position Screw
18	200378C	Set Screw
19	263470	Gear (spiral) with two 797C
20	797C	Gear (spiral) Set Screw
21	263471	Gear (spiral) Retaining Ring
22	270033	Bushing (back) with 270200
23	270200	Bushing (back) Oil Packing (wick)
24	263537	Stitch Length Indicator with 200347AL
25	200347AL	Indicator Set Screw
26	263469	Shaft Thrust and Timing Collar with 200378C
27	263569	Belt Pulley Needle Bearing Sleeve
28	201007C	Belt Pulley Needle Bearing Sleeve Set Screw
29	214206	Belt Pulley Spring Flange
30	228842	Belt Pulley Needle Bearing
31	263468	Belt Pulley with 201254C, 201421C, 214206 and 228842
32	201421C	Belt Pulley Set Screw
33	201254C	Belt Pulley Position Screw
34	263465	Hook and Feed Driving Shaft
35	263431	Adjusting Eccentric Latch with 200351C
36	200351C	Adjusting Eccentric Latch Set Screw
37	263432	Adjusting Eccentric Latch Hinge Pin
38	200605C	Adjusting Eccentric Latch Hinge Pin Position Screw
39	263434	Adjusting Eccentric Latch Operating Lever Spring
40	263433	Adjusting Eccentric Latch Operating Lever with 200394C

# PARTS FOR MACHINE No. 236w100

## FEED AND HOOK DRIVING SHAFT ASSEMBLY



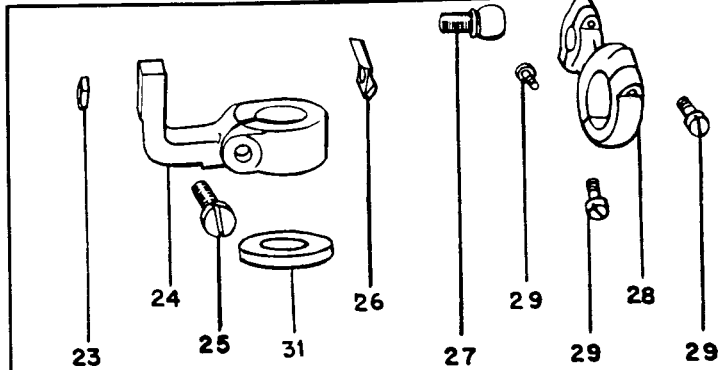
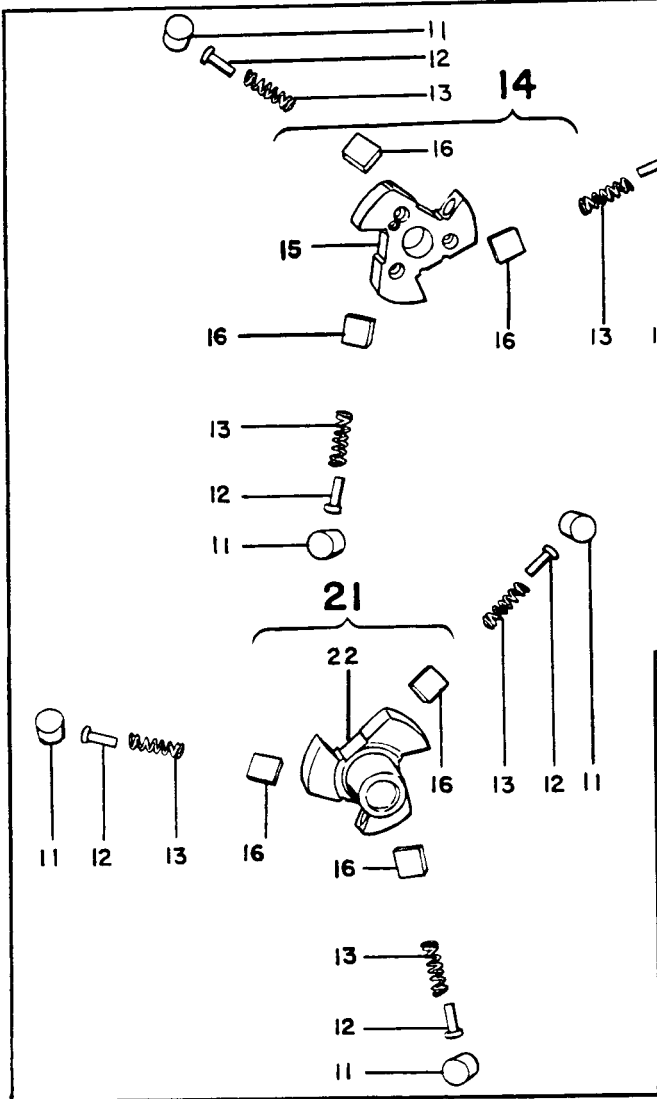
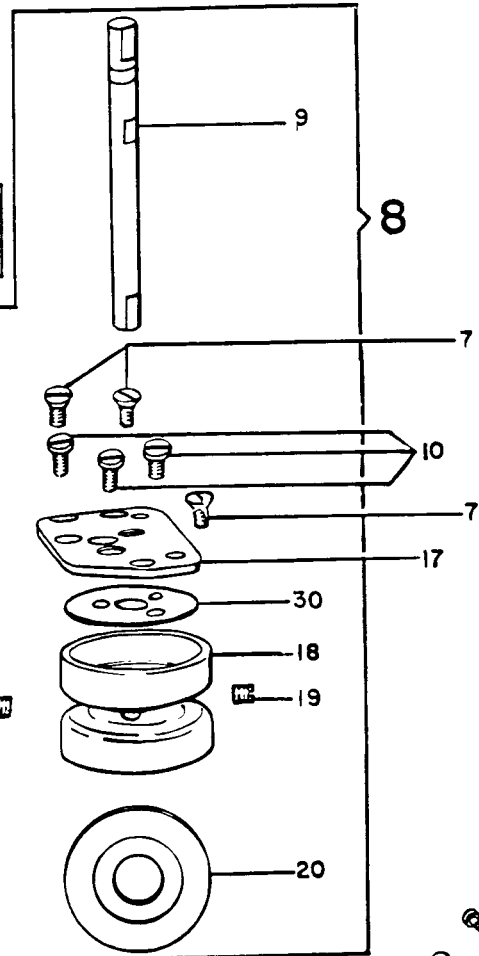
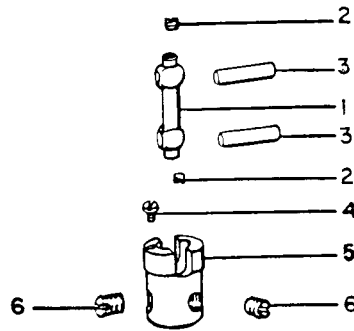
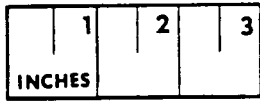
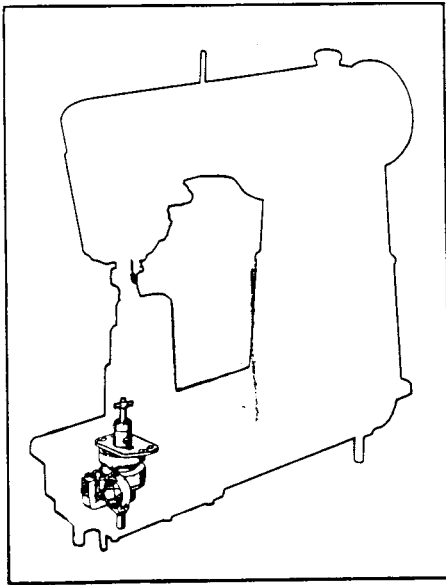
## PARTS FOR MACHINE No. 236w100

## FEED CLUTCH AND FEED DRIVING CONNECTION

<u>Ref. No.</u>	<u>Part No.</u>	<u>Description</u>
1	263456	Driving Pinion Coupling Ball Connection with two 201052ALX
2	201052ALX	Connection Stud Set Screw
3	263457	Connection Stud (2)
4	200133C	Connection Retaining Screw
5	263454	Driving Pinion Coupling (lower) with two 200382ALX
6	200382ALX	Coupling Set Screw
7	200911X	Clutch (brake) Supporting Plate Screw (3)
8	263425	Feed Clutch complete, Nos. 144261, 263423, 263458, 263578, 263579, 263591, six each 68152, 131717 and 131718
9	263458	Driving Pinion Shaft (lower)
10	1255C	Clutch (brake) Screw (3)
11	131717 ✓	Clutch Roller
12	68152 ✓	Clutch Roller Plunger
13	131718 ✓	Clutch Roller Spring
14	263578	Feed Clutch (brake) 144262 with three 263574
15	144262	Clutch (brake)
16	263574 ✓	Clutch Wear Plate
17	263424	Clutch (brake) Supporting Plate
18	263579	Clutch Sleeve with two 140409C
19	140409C	Sleeve Set Screw
20	144261	Clutch (drive) Washer
21	263423	Clutch (drive) 263422 with three 263574
22	263422	Clutch (drive)
23	201616E	Crank Ball Screw Nut
24	263428	Driving Crank with 350175E
25	350175E	Crank Pinch Screw
26	263427	Connection Tension Spring
27	140300C	Crank Ball Screw
28	263426	Connection with four 200274E
29	200274E	Connection Cap Screw
30	263591	Feed Clutch Thrust Washer
31	231836	Feed Driving Crank Thrust Washer

PARTS FOR MACHINE No. 236w100

FEED CLUTCH AND FEED DRIVING CONNECTION



## PARTS FOR MACHINE No. 236w100

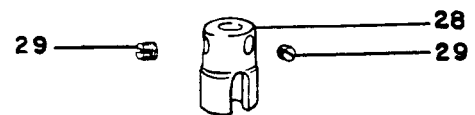
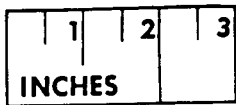
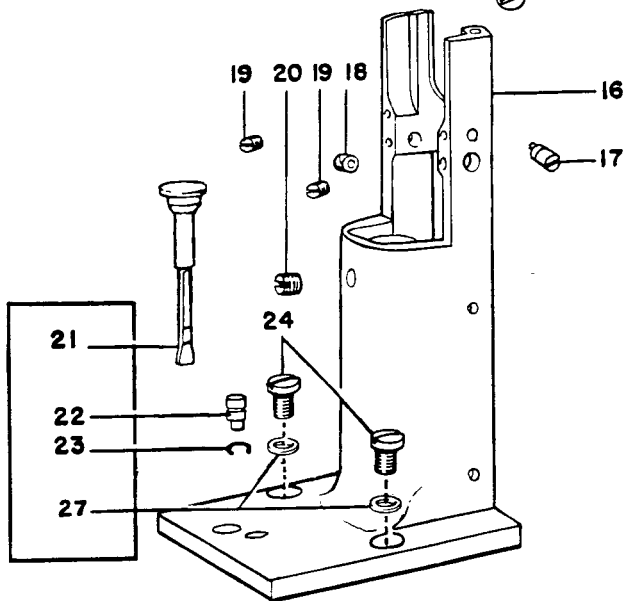
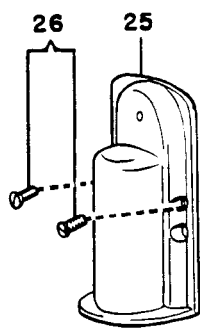
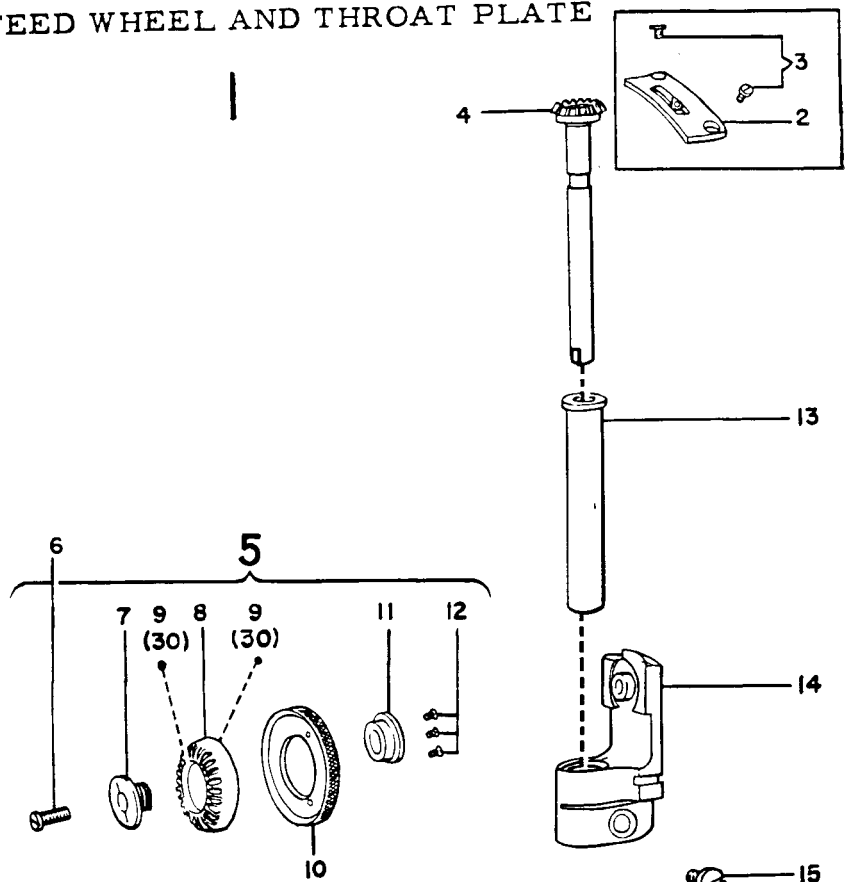
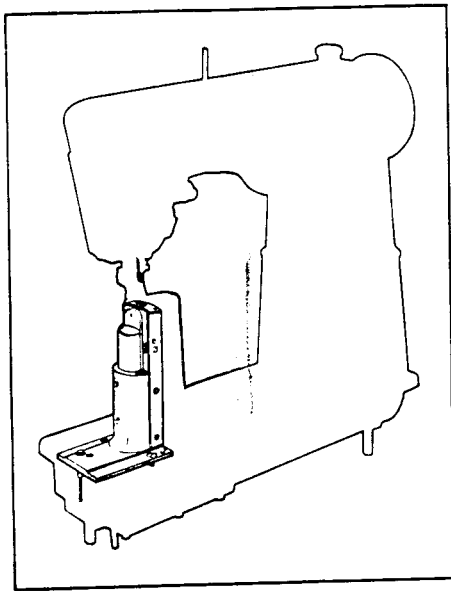
## FEED POST, FEED WHEEL AND THROAT PLATE

<u>Ref. No.</u>	<u>Part No.</u>	<u>Description</u>
1	263439	Feed Post 263438 with 249019, 249092, 263442, 263449, 263453, 263455, 263460, 263461, 350411C and two 200137X
2	249105	Throat Plate, 53 elongated needle hole, for needle sizes 14 and 15
3	350620ALX	Throat Plate Screw (2)
4	263453	Feed Wheel Bevel Gear Driving Pinion
5	263449	Feed Wheel 263575 with 263450 to 263452, three 200587D and sixty 206417
6	350411C	Cap Screw
7	263451	Ball Cone (outside)
8	263452	Feed Wheel Bevel Gear
9	206417	Ball, 1/16 in. diameter
10	263575	Feed Wheel (flat) (close feed)
11	263450	Ball Cone (inside)
12	200587D	Gear Screw
13	263461	Bracket Extension
14	263460	Feed Wheel Bracket with 200041C
15	200041C	Bracket Pinch Screw
16	263438	Feed Post with 200362C and two 200380C
17	249092	Feed Wheel Adjusting Stud (eccentric)
18	249019	Bracket Friction Plug
19	200380C	Set Screw
20	200362C	Extension Set Screw
21	263600	Oil Reservoir Oil Gauge
22	263440	Feed Post Adjusting Eccentric Stud with 263441
23	263441	Eccentric Stud Retaining Ring
24	201110X	Feed Post Screw (2)
25	263442	Feed Post Cover (side)
26	200137X	Cover (side) Screw
27	263592	Feed and Hook Post Screw Washer (fibre) (2)
28	263455	Pinion Coupling (upper) with two 200382ALX
29	200382ALX	Pinion Coupling Set Screw



# PARTS FOR MACHINE No. 236w100

## FEED POST, FEED WHEEL AND THROAT PLATE



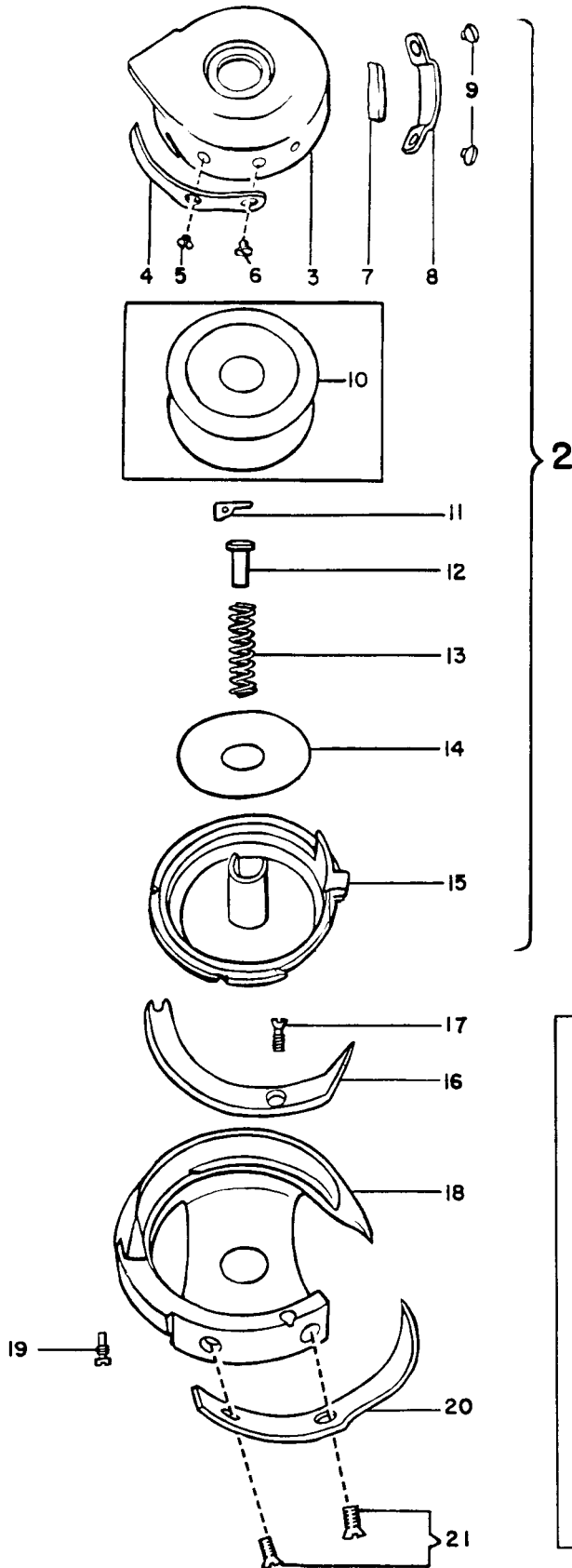
## PARTS FOR MACHINE No. 236w100

## HOOK AND BOBBIN CASE COMPLETE

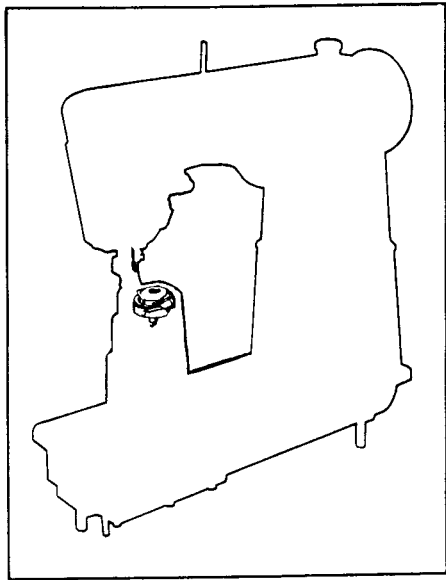
<u>Ref. No.</u>	<u>Part No.</u>	<u>Description</u>
1	263464	Hook and Bobbin Case complete, Nos. 241677 and 263463
2	241677	Bobbin Case complete, Nos. 235769 and 241676
3	241676	Bobbin Case Cap with 200594E, 200984C, 235771, 241674, 241675 and two 350405C
4	235771	Bobbin Case Tension Spring
5	200984C	Tension Spring Regulating Screw
6	200594E	Tension Spring Screw
7	241674	Oiling Felt
8	241675	Oiling Felt Retainer
9	350405C	Retainer Screw
10	233939	Bobbin
11	203211	Bobbin Case Base Latch
12	203212	Latch Plunger
13	203213	Latch Spring
14	203216	Bobbin Case Washer (cloth)
15	235769	Bobbin Case Base with *202056, 203211 to 203213 and 203216
16	241604	Hook Gib
17	201253F	Hook Gib Screw
18	263463	Hook *263462 with 201253F, 201376C, 241604, 263563 and two 201409F
19	201376C	Hook Gib Hinge Screw
20	263563	Hook Needle Guard
21	201409F	Hook Needle Guard Screw
	*202056	Bobbin Case Base Latch Pin
	*263462	Hook (sewing)

# PARTS FOR MACHINE No. 236w100

## HOOK AND BOBBIN CASE COMPLETE



	1		2
INCHES			



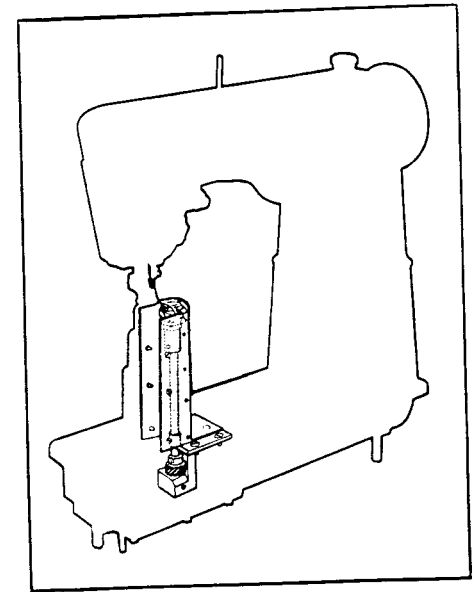
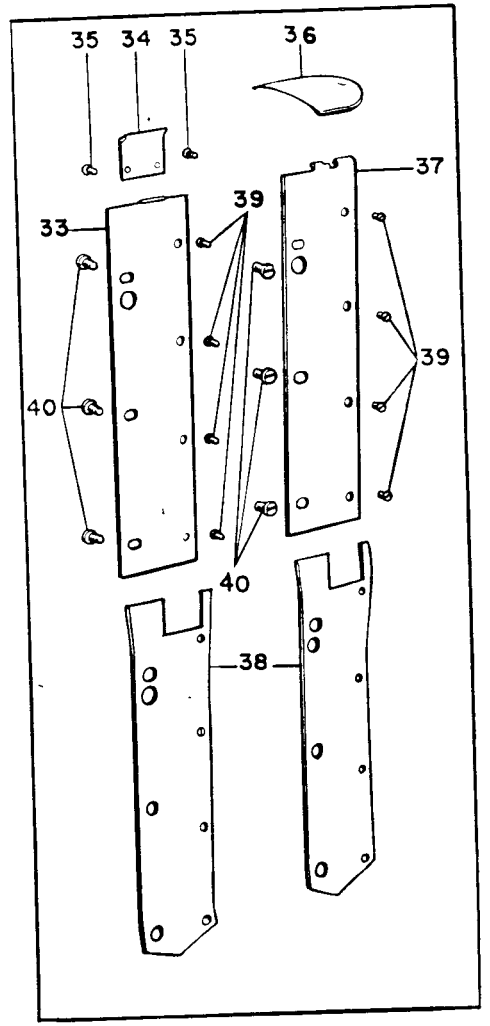
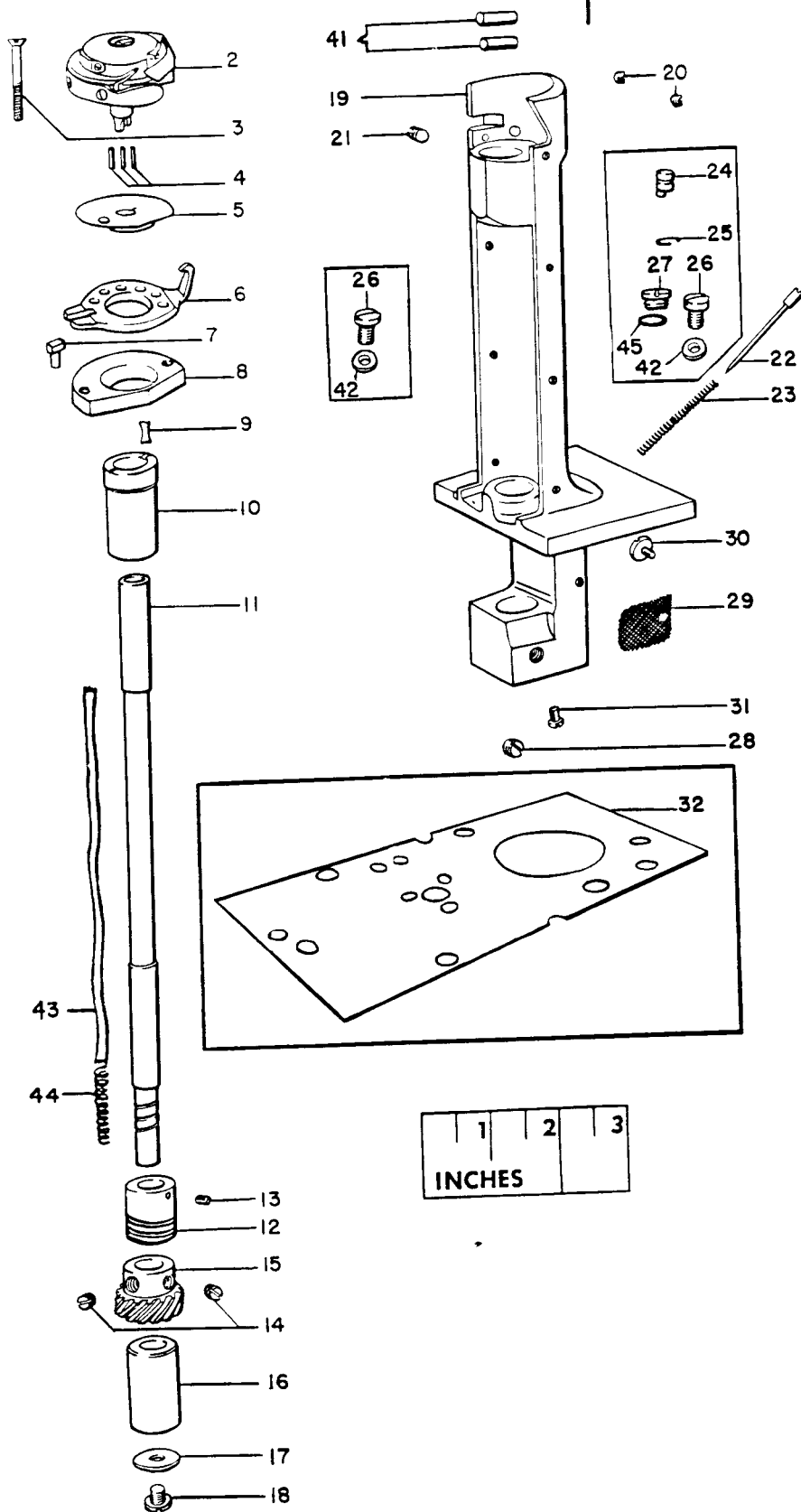
## PARTS FOR MACHINE No. 236w100

## HOOK POST ASSEMBLY

Ref. No.	Part No.	Description
1	263474	Hook Post 263473 with 200121E, 200130F, 200354C, 200396C, 200989X, 203478, 234426, 247623, 263421, 263464, 263476, 263478 to 263482, 263568, 263593, 263594, 265522, 350609E, 350611X two each 201418C and 263582
2	263464	Hook and Bobbin Case complete
3	350611X	Hook Shaft (vertical) Screw
4	204243	Bobbin Case Lever Eccentric Position Pin
5	263482	Hook Washer with *203476 and three 204243
6	247623	Bobbin Case Lever
7	203478	Lever Slide Stud
8	263421	Slide Stud Base (adjustable)
9	263561	Oil Wick
10	263480	Bearing (upper) with 263561
11	263478	Hook Shaft (vertical)
12	263568	Sleeve (center) with 200387C
13	200387C	Sleeve (center) Set Screw
14	200382ALX	Pinion Set Screw
15	265522	Hook Driving Pinion with two 200382ALX
16	263479	Bearing (lower)
17	263481	Thrust Washer
18	200121E	Thrust Washer Screw
19	263473	Hook Post
20	201418C	Slide Stud Base Set Screw
21	200354C	Bearing (upper) Set Screw
22	350609E	Hook Oil Regulating Screw
23	234426	Hook Oil Regulating Spring
24	263440	Hook Post Adjusting Eccentric Stud with 263441
25	263441	Retaining Ring
26	201110X	Hook Post Screw (2)
27	350610E	Hook Post Oil Stop Screw
28	200396C	Bearing (lower) Set Screw
29	263476	Hook Post Oil Inlet Strainer
30	200989X	Strainer Screw
31	200130F	Hook Post Oil Stop Screw
32	263595	Feed and Hook Post Gasket (bottom) (vellumoid)
33	263444	Cover (back) with 263477 and two 350446X
34	263477	Slide Retaining Spring
35	350446X	Retaining Spring Screw
36	221215	Hook Post Slide
37	263445	Cover (front)
38	263446	Cover (back or front) Gasket (2)
39	200582X	Cover (back or front) Screw (8)
40	200159F	Cover (back or front) Clamp Screw (6)
41	263582	Bobbin Case Lever Slide Stud Base Position Pin
42	263592	Feed and Hook Post Screw Washer (fibre) (2)
43	263593	Hook Shaft (vertical) Oil Packing (wick)
44	263594	Hook Shaft (vertical) Oil Packing (wick) Spring
45	244746	Hook Post Oil Stop Screw Washer
	*203476	Bobbin Case Lever Eccentric

# PARTS FOR MACHINE No. 236w100

## HOOK POST ASSEMBLY



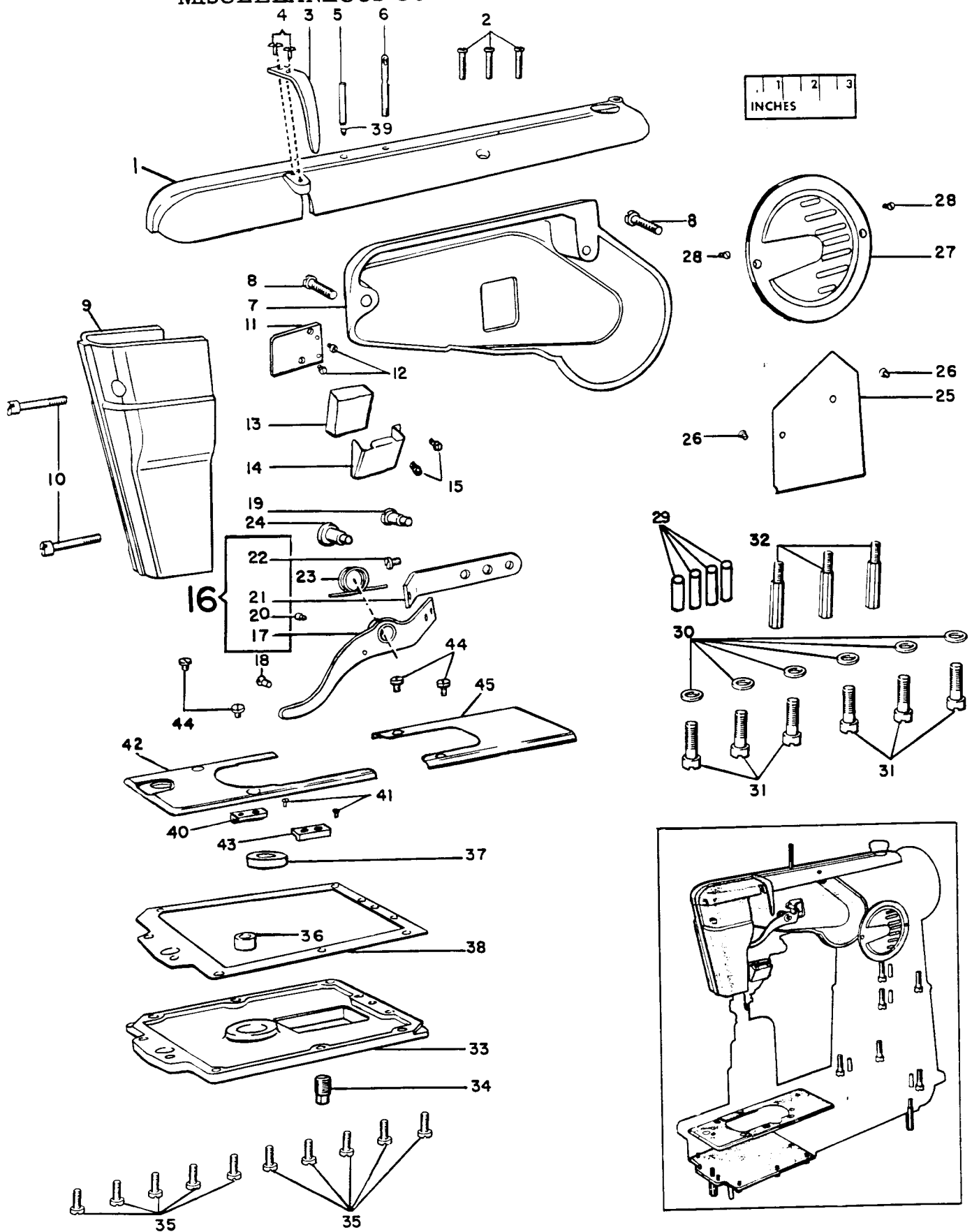
## PARTS FOR MACHINE No. 236w100

## MISCELLANEOUS COVERS AND THREAD LUBRICATOR

<u>Ref.</u> <u>No.</u>	<u>Part</u> <u>No.</u>	<u>Description</u>
1	263412	Arm Top Cover
2	200194F	Cover Screw (3)
3	263541	Take-up Lever Guard
4	200161X	Guard Screw (2)
5	263590	Arm Top Cover Oil Tube with 170168
6	202412	Thread Guide
7	263634	Arm Cover (back)
8	200007E	Cover (back) Screw (2)
9	263405	Arm End Cover
10	200001C	Cover Screw (2)
11	263555	Thread Lubricator Plate
12	200577AL	Plate Screw (2)
13	241765	Oil Pad (felt)
14	263554	Oil Pad Holder
15	200137X	Oil Pad Holder Screw (2)
16	263486	Lifting Lever complete, Nos. 200092C, 201051C, 263483 and 263484
17	263483	Lifting Lever
18	201231C	Lever Stop Screw
19	200224C	Lever Spring Stop Screw (on Arm)
20	201051C	Lever Spring Stop Screw (on Lever)
21	263484	Lever Extension
22	200092C	Extension Screw
23	263485	Lever Spring
24	201101C	Lever Hinge Screw
25	263404	Arm Cover Plate (back) (lower)
26	200112X	Plate (back) (lower) Screw (2)
27	263403	Arm Cover (front)
28	200576X	Cover (front) Screw (2)
29	204235	Position Pin (4)
30	202005	Screw Washer (6)
31	200004E	Screw (6)
32	263417	Bed Leg (3)
33	263414	Bed Cover (bottom) with 60884, 263459 and 267093
34	60884	Bed Cover (bottom) Oil Plug
35	200040E	Bed Cover (bottom) Screw (10)
36	267093	Driving Pinion Shaft (lower) Needle Bearing
37	263459	Driving Pinion Shaft (lower) Needle Bearing Oil Seal
38	263415	Bed Cover (bottom) Gasket
39	170168	Arm Top Cover Oil Tube Oil Metering Insert
40	263804	Base Cover Support (back)
41	200578X	Base Cover Support Screw (2)
42	263801	Feed Post Base Cover
43	263803	Base Cover Support (front)
44	200181X	Base Cover Screw (2)
45	263802	Hook Post Base Cover
	*263401	Arm
	263402	Arm Base
	*263413	Bed

# PARTS FOR MACHINE No. 236w100

## MISCELLANEOUS COVERS AND THREAD LUBRICATOR



## PARTS FOR MACHINE No. 236w100

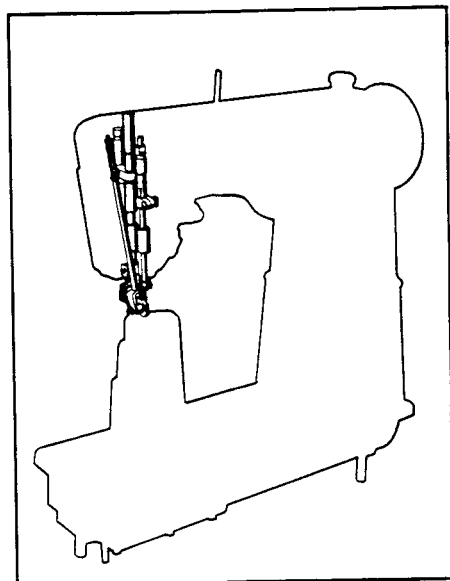
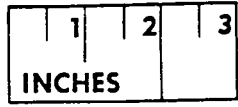
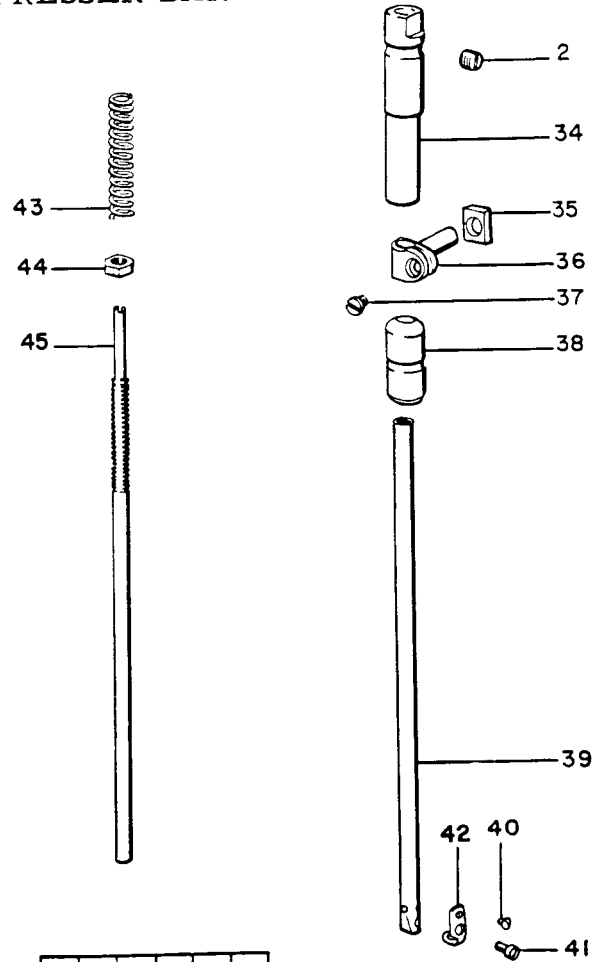
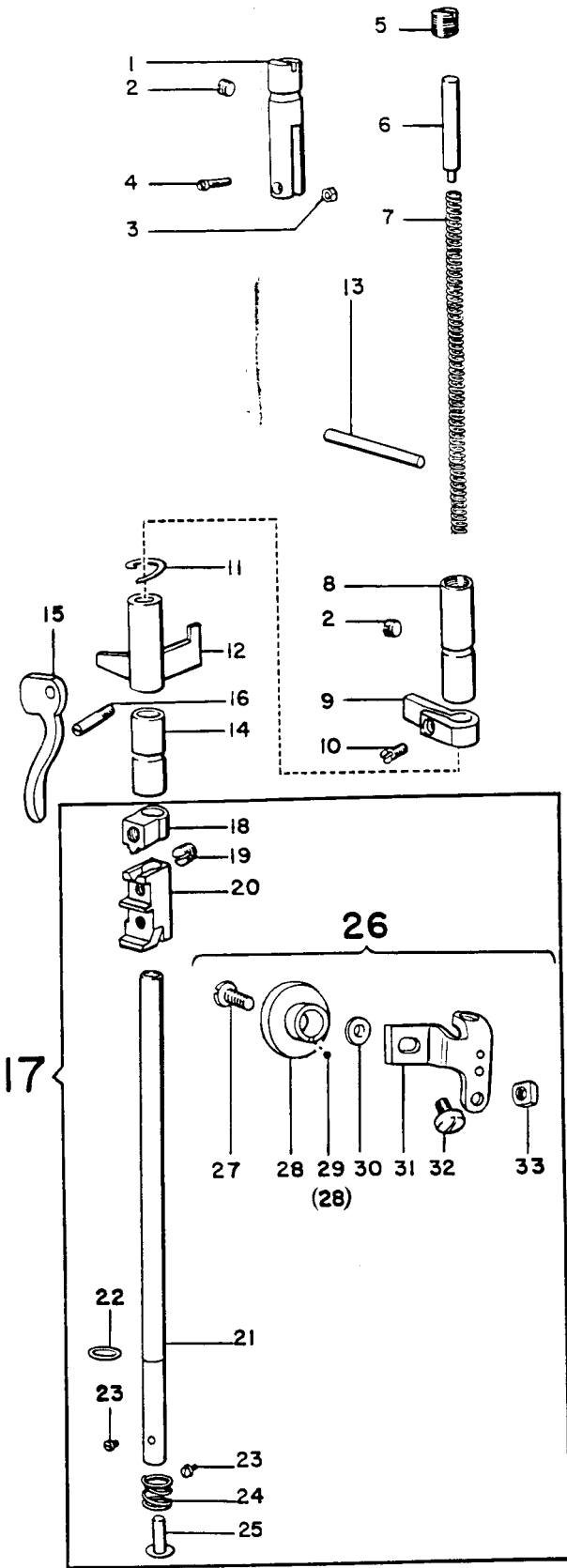
## NEEDLE AND ROLLER PRESSER BARS

<u>Ref. No.</u>	<u>Part No.</u>	<u>Description</u>
1	263498	Presser Bar Position Guide
2	200398C	Set Screw (3)
3	201671E	Position Guide Lever Stop Screw Nut
4	200055C	Position Guide Lever Stop Screw
5	350612C	Presser Bar Screw (pressure regulating)
6	263409	Presser Bar Spring Stop Rod
7	236089	Presser Bar Spring
8	263496	Presser Bar Bushing (upper)
9	202338	Position Guide Lever with 200086ALX
10	200086ALX	Lever Pinch Screw
11	206608	Lifting Releasing Lever Bracket Spring
12	263497	Lifting Releasing Lever Bracket
13	263546	Tension Release Plunger
14	263495	Presser Bar Bushing (lower)
15	202671	Presser Bar Lifter
16	200666C	Lifter Hinge Screw
17	263505	Roller Presser and Bar complete, Nos. 200096D, 202558, 202559, 228740, 235087, 235088, 263501, 263504 and two 200141F
18	235088	Arm Bracket Position Collar with 200362C
19	200362C	Position Collar Set Screw
20	235087	Roller Presser Arm Bracket
21	263504	Roller Presser Bar
22	228740	Position Collar Lock Ring
23	200141F	Spring Stop Screw
24	202558	Roller Presser Arm Bracket Spring
25	202559	Spring Stop
26	263501	Roller Presser Arm 263500 with 351883
27	350104C	Roller Presser Hinge Screw
28	351883	Roller Presser, 1 in. diam., 9/64 in. face (fine) with 1528X, 201699C, 350104C and twenty-eight 206417
29	206417	Roller Presser Ball, 1/16 in. diameter
30	201699C	Roller Presser Ball Cone
31	263500	Roller Presser Arm
32	200096D	Roller Presser Arm Screw
33	1528X	Roller Presser Hinge Screw Nut
34	263491	Needle Bar Bushing (upper)
35	143058	Needle Bar Connecting Stud Slide Block
36	143057	Needle Bar Connecting Stud with 207E
37	207E	Connecting Stud Pinch Screw
38	263490	Needle Bar Bushing (lower)
39	263489	Needle Bar with 200125ALX, 200175D and 249270
40	200175D	Thread Guide Screw
41	200125ALX	Needle Set Screw
42	249270	Needle Bar Thread Guide
43	263521	Adjusting Rod Spring
44	201525E	Adjusting Rod Nut
45	263519	Idler Pulley Bracket Adjusting Rod with 201525E



PARTS FOR MACHINE No. 236w100

NEEDLE AND ROLLER PRESSER BARS



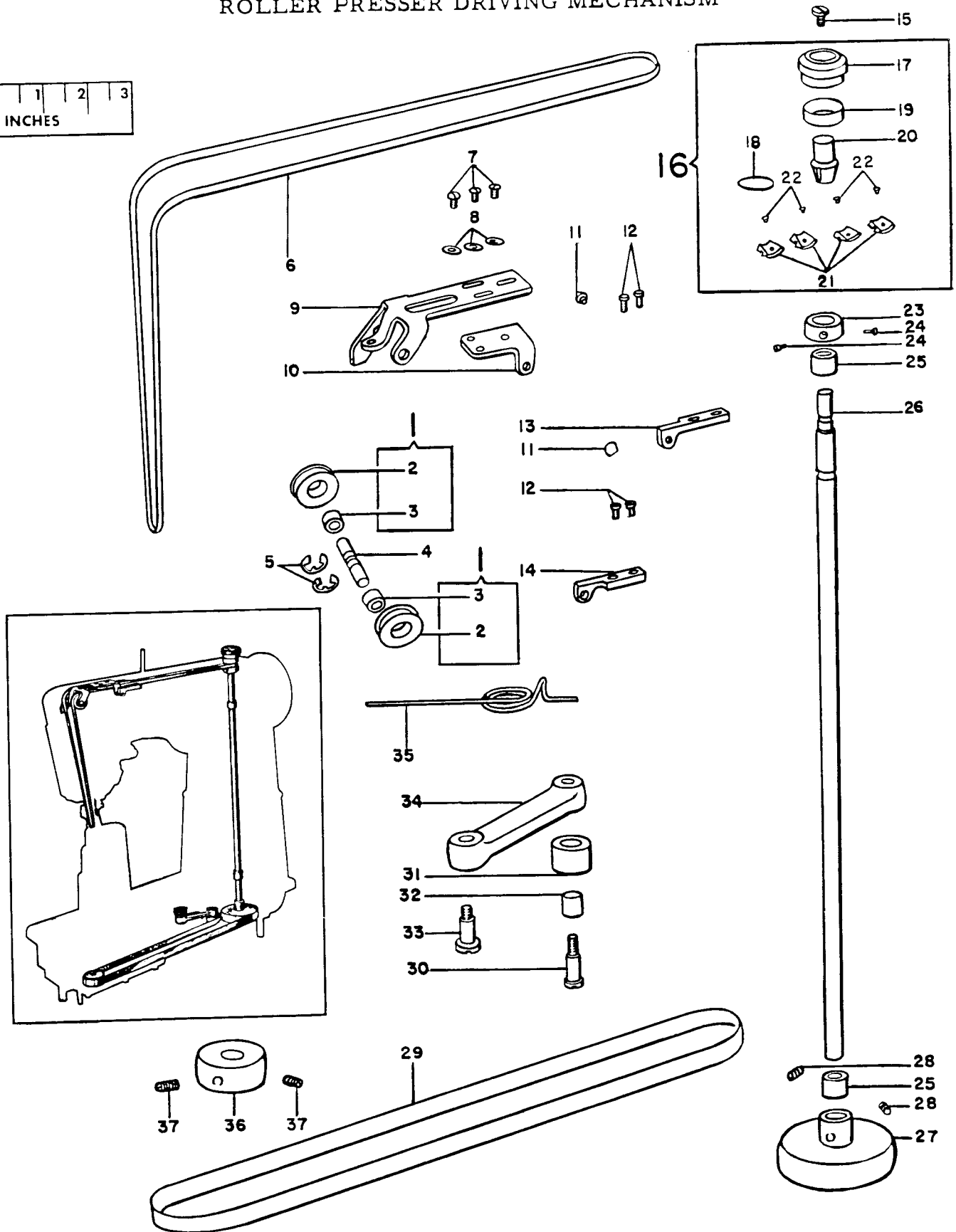
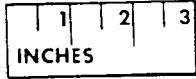
## PARTS FOR MACHINE No. 236w100

## ROLLER PRESSER DRIVING MECHANISM

<u>Ref. No.</u>	<u>Part No.</u>	<u>Description</u>
1	263566	(upper) Idler Pulley 263517 with 263565 (2)
2	263517	(upper) Idler Pulley
3	263565	Idler Pulley Needle Bearing
4	263526	Idler Pulley Spindle
5	263564	Spindle Retaining Ring (2)
6	263515	Roller Presser Driving Belt (upper)
7	1094D	Bracket Extension Screw (3)
8	208636	Screw Washer (3)
9	263518	(upper) Idler Pulley Bracket
10	263522	Bracket Extension with two 263523
11	263523	Bracket Extension Center
12	201387F	Bracket Extension Support Screw (4)
13	263524	Bracket Extension Support (back)
14	263525	Bracket Extension Support (front)
15	201110E	Pulley (var. diam.) (adjustable) Stop Screw
16	263532	Roller Presser Driving Belt (upper) Pulley (var. diam.) (adjustable) complete, Nos. 201748X, 263529 to 263531, four each 263527 and 263528
17	201748X	Pulley (var. diam.) (adjustable) Lock Nut
18	263529	Segment Retaining Ring
19	263530	Segment Ring
20	263531	Spreader Cone
21	263527	Pulley (var. diam.) (adjustable) Segment
22	263528	Segment Guide Stud
23	263534	Roller Presser Driving Shaft Collar with two 200111C
24	200111C	Collar Set Screw
25	268425	Driving Shaft Needle Bearing (2)
26	263533	Roller Presser Driving Shaft
27	263507	(lower) Driven Pulley with two 200403C
28	200403C	Driven Pulley Set Screw
29	263506	Roller Presser Driving Belt (lower)
30	200948C	(lower) Idler Pulley Hinge Screw
31	263510	(lower) Idler Pulley *263509 with 263513
32	263513	(lower) Idler Pulley Needle Bearing
33	660C	Idler Pulley Arm Hinge Screw
34	263511	(lower) Idler Pulley Arm
35	263512	Arm Spring
36	263508	(lower) Driving Pulley with two 200958C
37	200958C	Driving Pulley Set Screw
	*263509	Roller Presser Driving Belt (lower) Idler Pulley

# PARTS FOR MACHINE No. 236w100

## ROLLER PRESSER DRIVING MECHANISM



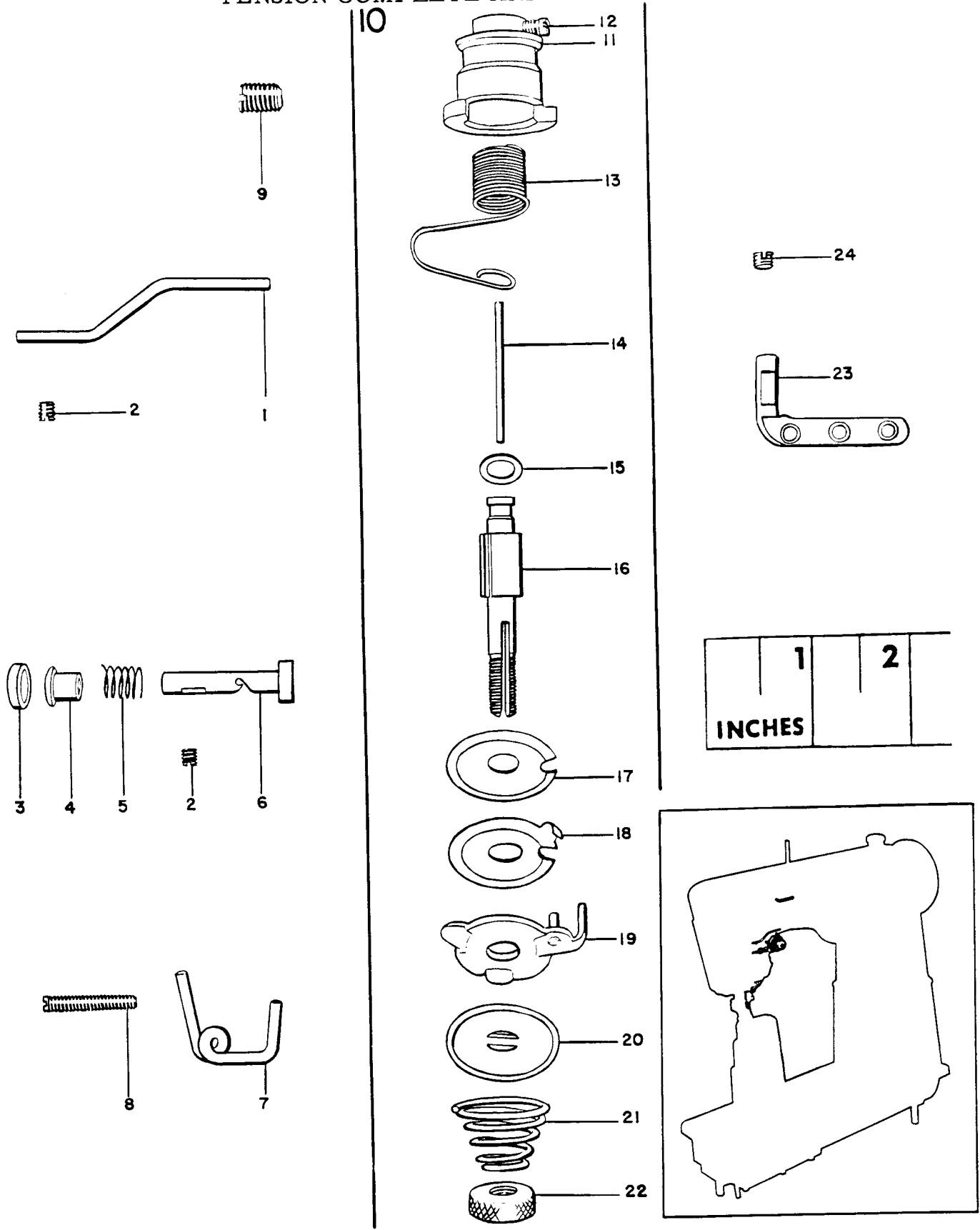
## PARTS FOR MACHINE No. 236w100

## TENSION COMPLETE AND THREAD GUIDES

<u>Ref. No.</u>	<u>Part No.</u>	<u>Description</u>
1	263558	Thread Retainer Thread Guide
2	350559X	Set Screw (2)
3	210958	Thread Retainer Stud Collar
4	210993	Thread Retainer Sleeve
5	223844	Thread Retainer Spring
6	263557	Thread Retainer Stud
7	263553	Thread Guide (lower)
8	201237C	Thread Guide (lower) Set Screw
9	446ALX	Thread Controller Spring Regulator Set Screw
10	263551	Tension complete, Nos. 201572X, 202410, 223438, 244048, 244049, 263547 to 263549, 263552 and 350613F
11	263552	Thread Controller Spring Regulator with 50305C
12	50305C	Tension Stud Set Screw
13	202410	Thread Controller Spring
14	263548	Tension Releasing Pin
15	263550	Tension Stud Washer
16	350613F	Tension Stud with 263550
17	244048	Tension Disc (back)
18	244049	Tension Disc (front)
19	263547	Tension Release Washer
20	263549	Tension Spring Washer
21	223438	Tension Spring
22	201572X	Tension Thumb Nut
23	240034	Thread Retainer
24	201188C	Thread Retainer Set Screw

# PARTS FOR MACHINE No. 236w100

## TENSION COMPLETE AND THREAD GUIDES



## ACCESSORIES

## FOR MACHINE No. 236w100

Ref. No.	Part No.	Description
1	228884	Drip Pan (Plastic) complete, Nos. 228882, 228883 and four wood screws 1/2 in. No. 4. R.H.B.
2	228882	Drip Pan
3	228883	Drip Pan Drain Jar
4	120342	Oiler (copper plated) with 120343
5	120343	Oiler Spout (3-1/2 in. long)
6	225498	Screw Driver
7	228476	Screw Driver (Bobbin Case)
8	41401	Machine Rest Pin (wood)
9	233939	Bobbin (2)
10	4822	Roller Presser Hinge Screw Nut Wrench
11	225554	Wrench
12	202258	Bed Hinge Connection (2)
13	200570E	Bed Hinge Connection Screw (4)
14	263577	Pulley Spreader Cone Adjusting Key
15	144465	Wrench (1/8" Hex)
	128 x	Needles, three each, sizes 14 and 15
	Form 3157w	Operator's Instruction Book

## FOR MACHINE No. 236w104

SAME AS FOR MACHINE No. 236w100

WITH THE FOLLOWING EXCEPTIONS:

16 263735  
128 x

Knife

Needles, three each, sizes 12 and 13

## FOR MACHINE No. 236w105

SAME AS FOR MACHINE No. 236w100

WITH THE FOLLOWING EXCEPTIONS:

17 238508  
128 x

Knife

Needles (three each) sizes 12 and 13

## FOR MACHINE No. 236w110

SAME AS FOR MACHINE No. 236w100

WITH THE FOLLOWING EXCEPTIONS:

18 248929

Knives (3)

## FOR MACHINE No. 236w111

SAME AS FOR MACHINE No. 236w100

WITH THE FOLLOWING EXCEPTIONS:

17 238508  
128 x

Knife

Needles (three each) sizes 12 and 13

## FOR MACHINE No. 236w112

SAME AS FOR MACHINE No. 236w100

WITH THE FOLLOWING EXCEPTIONS:

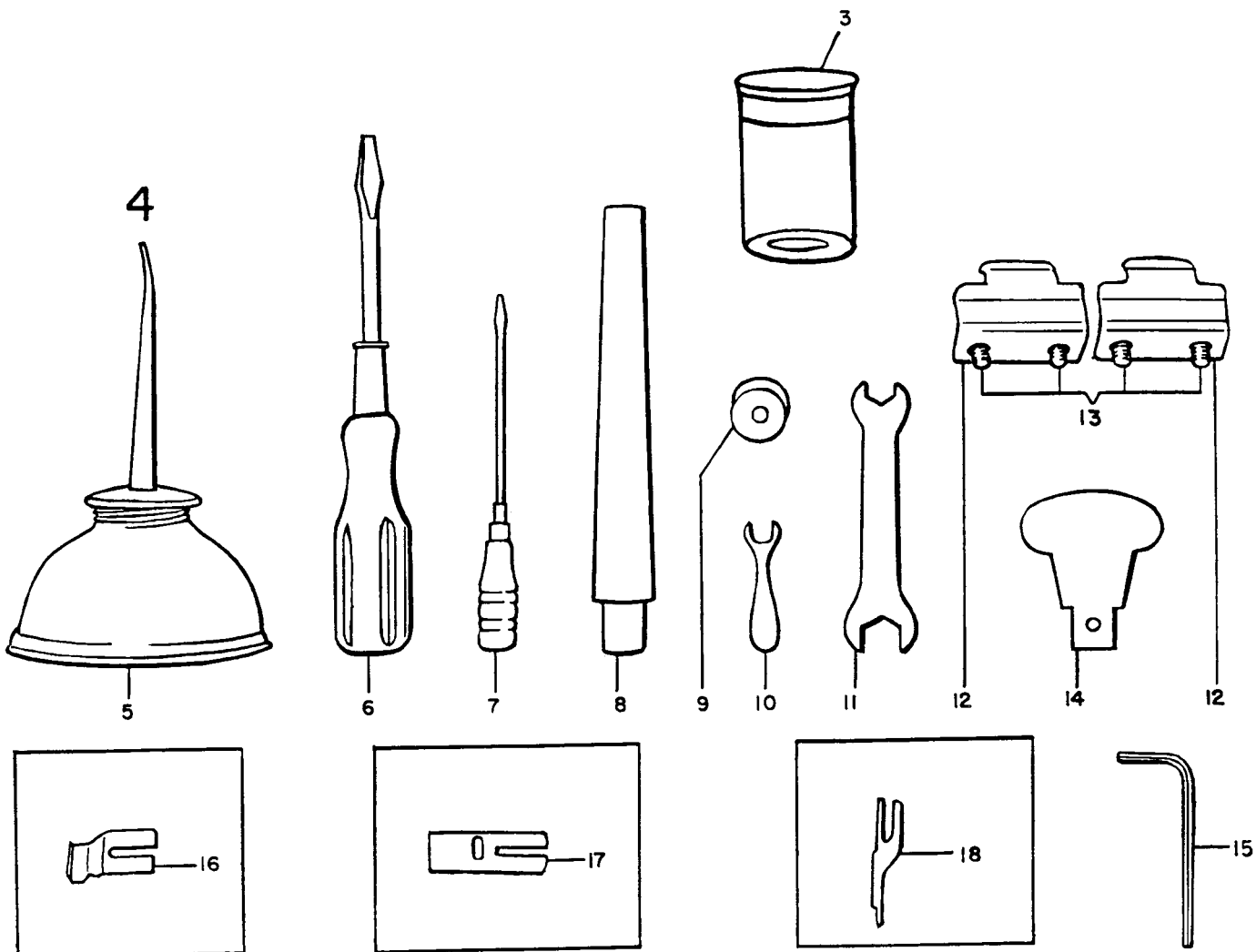
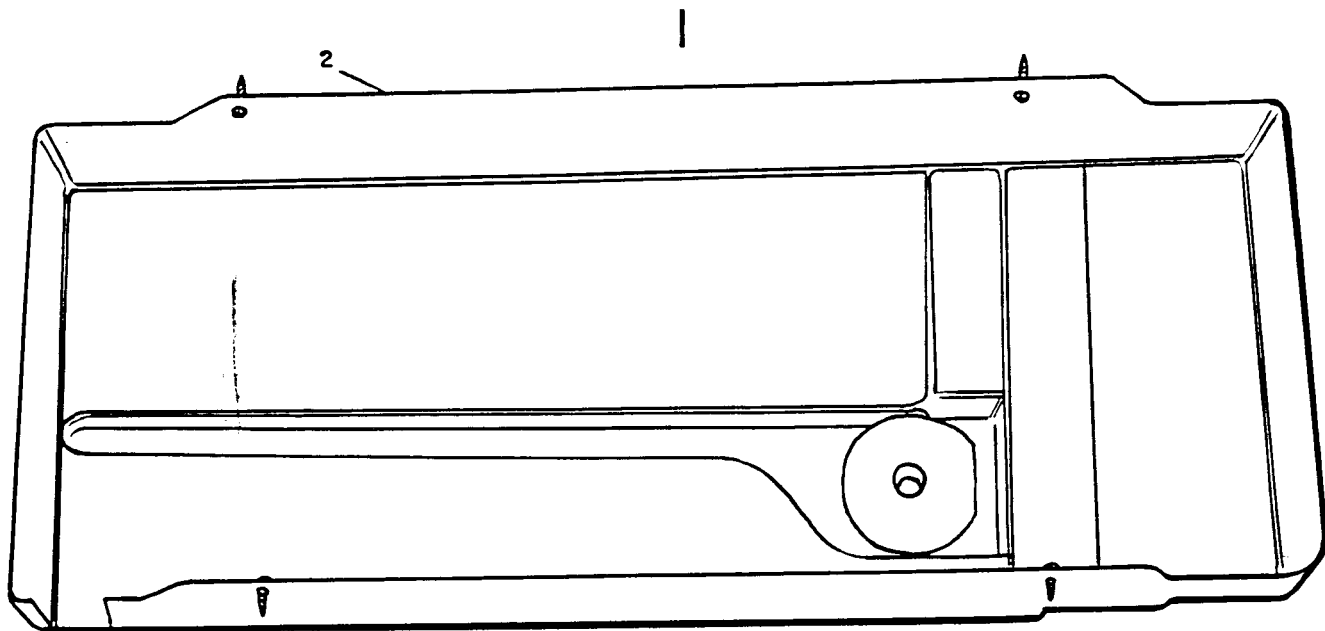
16 263735  
128 x

Knife

Needles (three each) sizes 12 and 13

# ACCESSORIES

PARTS FOR MACHINE No. 236w100



# ACCESSORIES BOBBIN WINDER

(SWINGING AUTOMATIC, RIGHT HAND)

FOR "V" BELT DRIVE

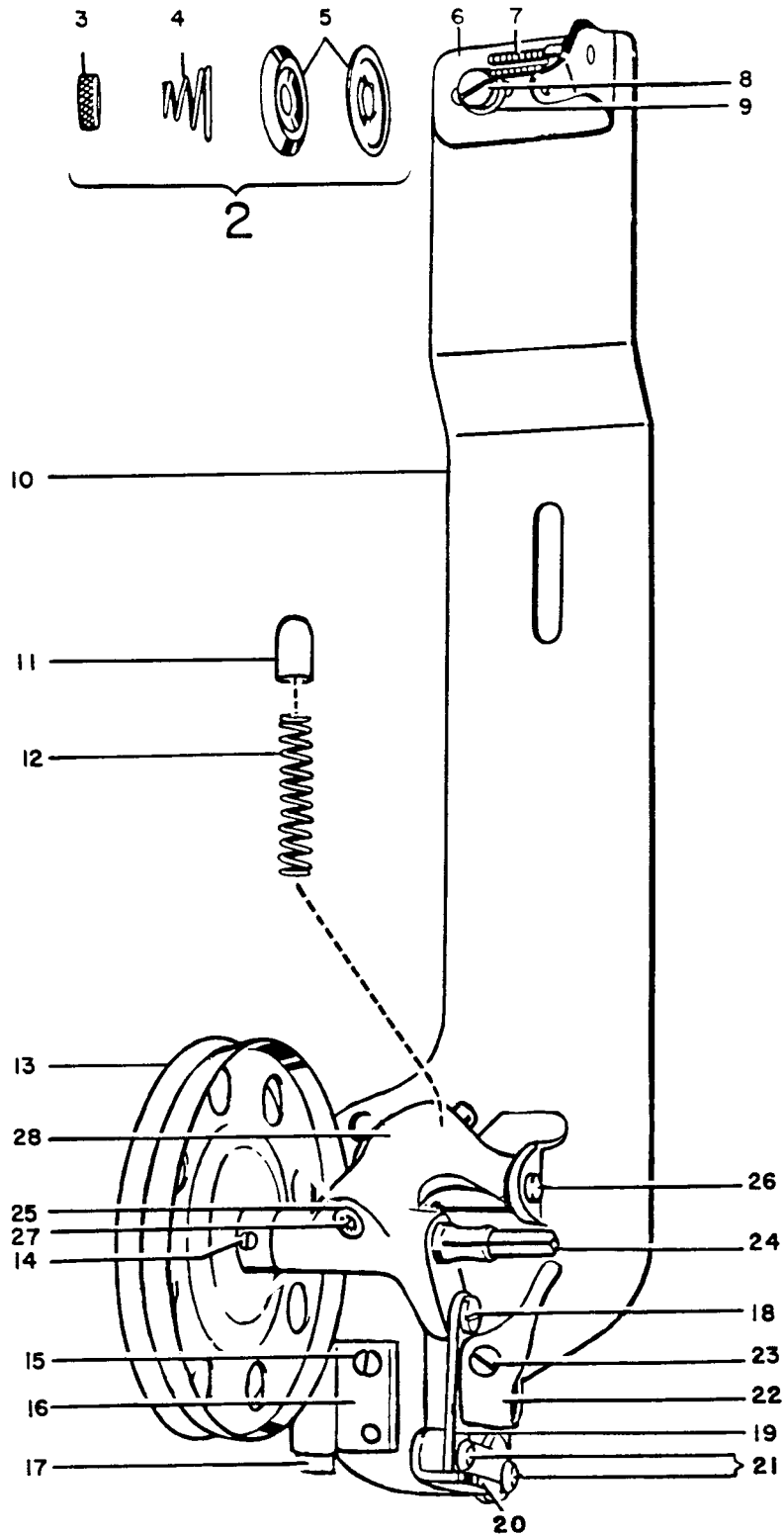
<u>Ref.</u> <u>No.</u>	<u>Part</u> <u>No.</u>	<u>Description</u>
1	259462	Universal Bobbin Winder complete, Nos. 200056E, 200082D, 200113F, 200299X, 202478, 225381, 225444, 225453 to 225456, 225458, 225462, 228026, 259428, 259429, 259461, 259662, two each 225459 and wood screws 3/4 in., No. 12, R.H.B.
2	225462	Bobbin Winder Tension Bracket complete, Nos. 13710, 201572X, 225461 and two 2102
3	201572X	Tension Stud Thumb Nut
4	13710	Tension Spring
5	2102	Tension Disc
6	225461	Tension Bracket with 201499X
7	201499X	Tension Stud
8	200082D	Tension Bracket Screw
9	228026	Washer
10	259662	Bobbin Winder and Tension Bracket Base
11	225456	Frame Spring Plunger
12	225455	Frame Spring
13	259461	Pulley with 200380C
14	200380C	Set Screw
15	200113F	Brake Clamp Screw
16	259429	Brake Clamp
17	259428	Brake (leather)
18	200299X	Trip Lever Hinge Screw
19	202478	Stop Latch Trip Lever
20	225458	Stop Latch Thumb Lever
21	225459	Stud
22	225444	Stop Latch
23	200056E	Screw
24	225381	Spindle
25	259660	Oil Well Washer
26	225454	Frame Hinge Pin
27	244071	Oil Packing (wick)
28	225453	Frame with 244071 and 259660



# ACCESSORIES BOBBIN WINDER

(SWINGING AUTOMATIC, RIGHT HAND)

FOR "V" BELT DRIVE



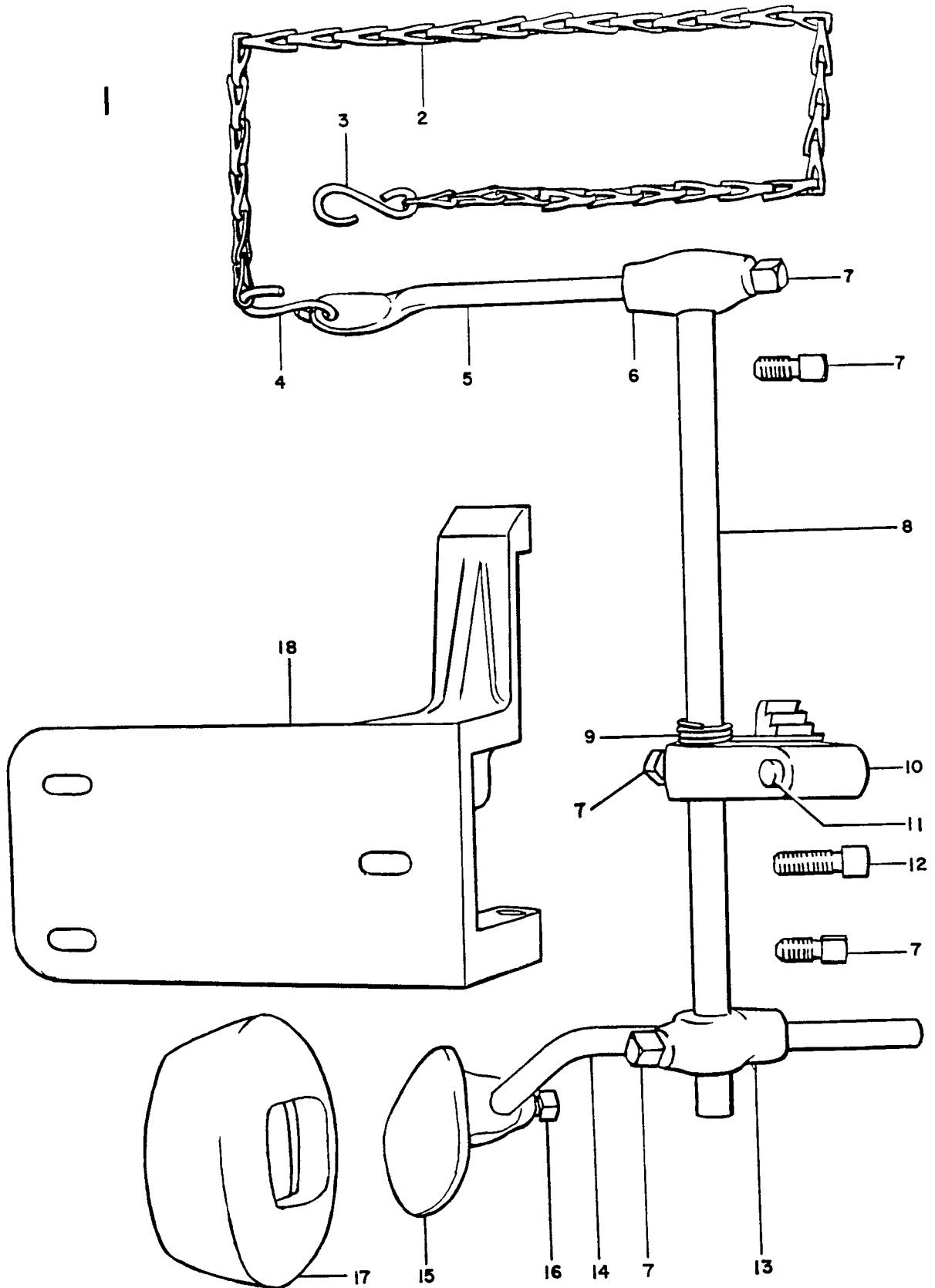
## ACCESSORIES

## KNEE LIFTER

<u>Ref.</u> <u>No.</u>	<u>Part</u> <u>No.</u>	<u>Description</u>
1	228846	Knee Lifter Rock Shaft complete, Nos. 2763, 6337, 39811, 150668, 227676, 228364, 228388, 228685 and 228843 to 228845
2	227676	Rock Shaft Lifting Chain, 18 in. long, with 202784
3	202784	Rock Shaft Lifting Chain Hook (upper)
4	39576	Rock Shaft Lifting Chain Hook (lower)
5	39811	Rock Shaft Lifting Bracket Extension with 39576
6	6337	Rock Shaft Lifting Bracket with two 356C
7	356C	Set Screw
8	2763	Rock Shaft
9	228845	Rock Shaft Stop Bracket Spring
10	228844	Rock Shaft Stop Bracket with 350C, 356C and 228367
11	228367	Rock Shaft Stop Stud
12	350C	Rock Shaft Stop Stud Set Screw
13	228685	Rock Shaft Knee Plate Arm Bracket with two 356C
14	228388	Rock Shaft Knee Plate Arm
15	228364	Rock Shaft Knee Plate with 350231C
16	350231C	Rock Shaft Knee Plate Set Screw
17	150668	Rock Shaft Knee Plate Pad (rubber)
18	228843	Rock Shaft Bracket with three wood screws 1 in., No. 10 F. H. B.

# ACCESSORIES

## KNEE LIFTER



## ACCESSORIES

## THREAD UNWINDER

(FOR TWO SPOOLS)

<u>Ref. No.</u>	<u>Part No.</u>	<u>Description</u>
1	228776	Thread Unwinder (for two spools) complete, Nos. 228766 to 228768, 228770, 228774, two each 150203, 228764, 228769 and three wood screws 7/8 in., No. 12, R.H.B.
2	228769	Thread Guide
3	228770	Thread Guide Holder (for one or two guides)
4	228774	Thread Guide Rod
5	228767	Spool Rest Rod
6	228764	Spool Pin
7	150203	Spool Rest Cushion (felt)
8	228766	Spool Rest (for two spools) (flat) with 201254C
9	201254C	Spool Rest Set Screw
10	228768	Spool Stand

## MISCELLANEOUS PARTS

USED IN CONJUNCTION WITH THREAD UNWINDER

11	225390	Thread Cone Holder
12	27739	Thread Cone (wood)
13	60913	Spool Weight with 60914
14	60914	Spool Weight Center Pin

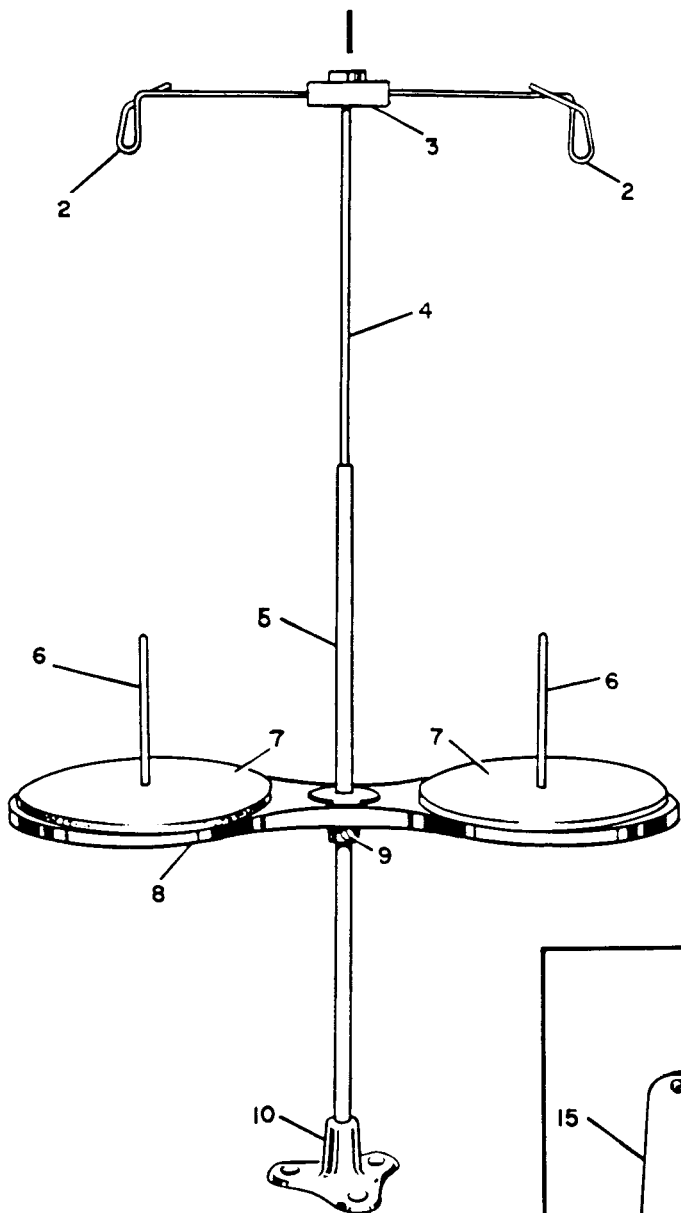
## WOOD BASE

(OBLIQUE)

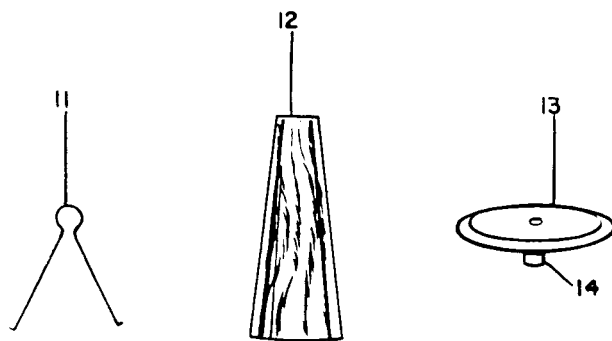
15	228356	Base (wood) with two 227493, four 225589 and eight wood screws 1-1/2 in., No. 7
16	227493	Bed Hinge Plate 202259 with two wood screws 7/8 in., No. 12 F.H.B.
17	225589 202259	Machine Cushion (leather) Bed Hinge Plate

ACCESSORIES

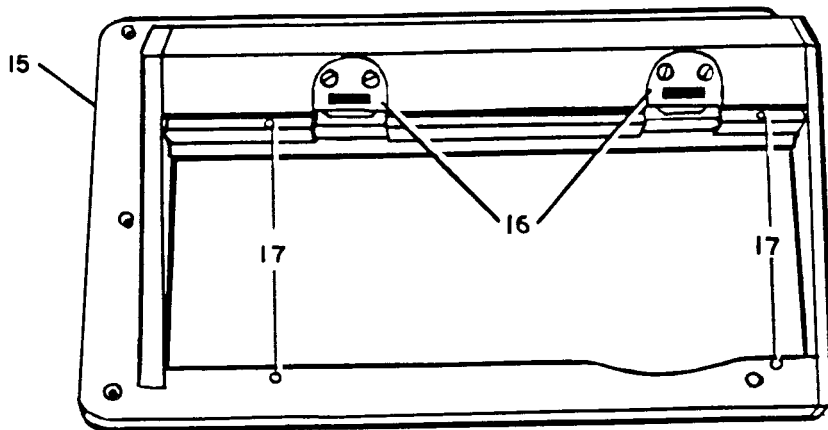
THREAD UNWINDER  
(FOR TWO SPOOLS)



MISCELLANEOUS PARTS  
USED IN CONJUNCTION WITH  
THREAD UNWINDER



WOOD BASE  
(OBLIQUE)



## FITTINGS

### FEED WHEELS

<u>Ref. No.</u>	<u>Part No.</u>	<u>Description</u>
1	263451	Feed Wheel Ball Cone (outside)
2	206417	Feed Wheel Ball, 1/16 in. diamteer
3	263452	Feed Wheel Bevel Gear
4	263450	Feed Wheel Ball Cone (inside)
5	200587D	Feed Wheel Bevel Gear Screw

#### FOR MACHINE No. 236w100

6	263449	Feed Wheel 263575 with 263450 to 263452, three 200587D and sixty 206417, for 249105
7	263575	Feed Wheel (flat) (close feed) for 249105
8	263581	Feed Wheel (flat) (close feed) (serrated) for 249113, 249114, 259842, *263583 and 263585
9	263576	Feed Wheel (flat) (close feed) (serrated) for 249105
10	263607	Feed Wheel 263605 with 263450 to 263452, three 200587D and sixty 206417, for 249113, 249114, *263583 and 263585
11	263605	Feed Wheel, for 249113, 249114, *263583 and 263585
12	263447	Feed Wheel, for 249059
13	263662	Feed Wheel 263660 with 263450 to 263452, three 200587D and sixty 206417, for 249059
14	263660	Feed Wheel, for 249059

#### FOR MACHINES Nos. 236w104, 236w105, 236w111 AND 236w112

12	263447	Feed Wheel, for 249181, 249183 and 249189
13	263662	Feed Wheel 263660 with 263450 to 263452, three 200587D and sixty 206417, for 249181, 249183, 249189 and 263717
14	263660	Feed Wheel, for 249181, 249183, 249189 and 263717

#### FOR MACHINE No. 236w110

10	263607	Feed Wheel 263605 with 263450 to 263452, three 200587D and sixty 206417, for 248912
10	263642	Feed Wheel 263641 with 263450 to 263452, three 200587D and sixty 206417, for 248914, 248926 and 263644
11	263605	Feed Wheel, for 248912
11	263641	Feed Wheel, for 248914, 248926 and 263644

FITTINGS  
THROAT PLATES

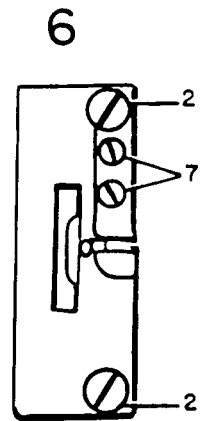
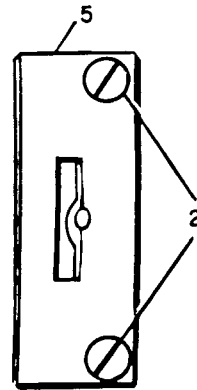
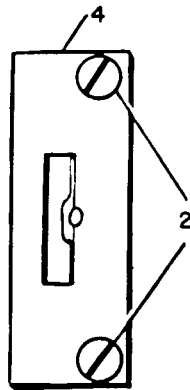
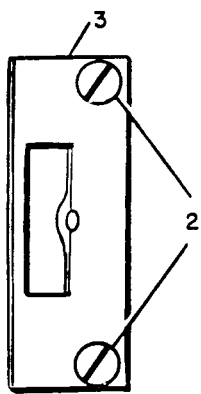
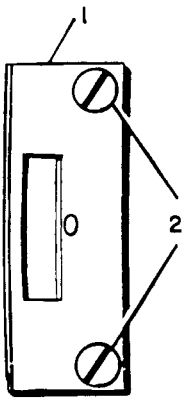
FOR MACHINE No. 236w100

Ref. No.	Part No.	<u>Description</u>
1	249059	Throat Plate, 53 elongated needle hole, for needle sizes 14 and 15, for 263447 and 263662
2	350620ALX	Throat Plate Screw (2)
3	249105	Throat Plate, 53 elongated needle hole, for needle sizes 14 and 15, for 263449, 263575 and 263576
4	249113	Throat Plate (beveled) 60 elongated needle hole, for needle sizes 9 to 11, for 263581, 263605 and 263607
5	249114	Throat Plate, (beveled) 56 elongated needle hole, for needle sizes 12 and 13, for 263581, 263605 and 263607
6	263585	Throat Plate complete (beveled) 56 elongated needle hole, for needle sizes 12 and 13, Nos. *263583, *263584 and two 350446X, for 263581, 263605 and 263607
7	350446X	Throat Plate Edge Guide Screw
8	259842	Throat Plate complete with Adjustable Edge Guide and Adjustable Tape Guide (Bessett)
	*263583	Throat Plate (beveled) 56 elongated needle hole, for needle sizes 12 and 13, for 263581, 263605 and 263607 (Bessett)
	*263584	Throat Plate Edge Guide (Bessett)

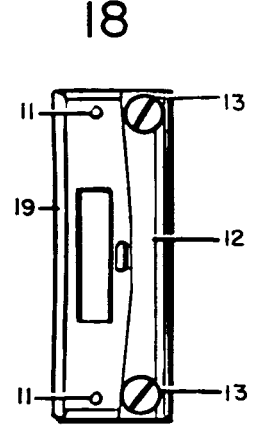
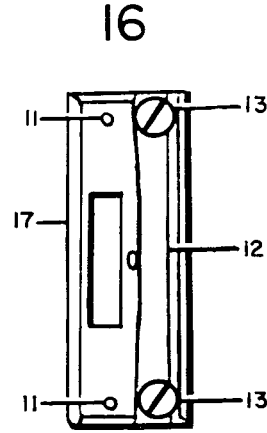
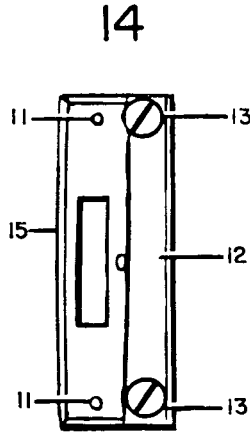
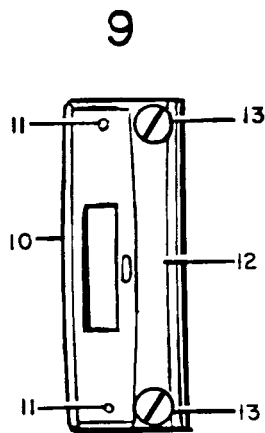
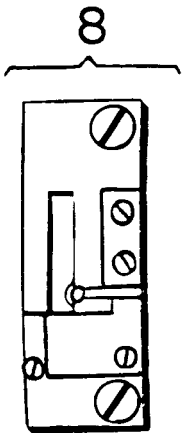
FOR MACHINES Nos. 236w104, 236w105, 236w111 AND 236w112

9	263717	Throat Plate complete, 56 elongated needle hole, for needle sizes 12 and 13, Nos. 249187, 263716 and two 200587D, for 263660 and 263662
10	263716	Throat Plate Needle Plate, 56 elongated needle hole, for needle sizes 12 and 13 (minimum trimming margin .060 inch)
11	200587D	Throat Plate Needle Plate Screw
12	249187	Throat Plate Body
13	200099X	Throat Plate Screw (2)
14	249181	Throat Plate complete, 56 elongated needle hole, for needle sizes 12 and 13, Nos. 249180, 249187 and two 200587D, for 263447, 263660 and 263662
15	249180	Throat Plate Needle Plate, 56 elongated needle hole, for needle sizes 12 and 13
16	249183	Throat Plate complete, 56 elongated needle hole, for needle sizes 12 and 13, Nos. 249182, 249187 and two 200587D, for 263447, 263660 and 263662
17	249182	Throat Plate Needle Plate, 56 elongated needle hole, for needle sizes 12 and 13 (minimum trimming margin .035 inch)
18	249189	Throat Plate complete, 56 elongated needle hole, for needle sizes 12 and 13, Nos. 249187, 249188 and two 200587D, for long stitch, for 263447, 263660 and 263662
19	249188	Throat Plate Needle Plate, 56 elongated needle hole, for needle sizes 12 and 13 (minimum trimming margin .045 inch)

FITTINGS  
THROAT PLATES  
FOR MACHINE No. 236w100



FOR MACHINES Nos. 236w104, 236w105, 236w111 AND 236w112





## FITTINGS

## ROLLER PRESSERS

<u>Ref. No.</u>	<u>Part No.</u>	<u>Description</u>
1	1528X	Roller Presser Hinge Screw Nut
2	201699C	Roller Presser Ball Cone
3	206417	Roller Presser Ball, 1/16 in. diameter
4	350104C	Roller Presser Hinge Screw

## FOR MACHINE No. 236w100

5	351883	Roller Presser, 1 in. diam., 9/64 in. face (fine) with 1528X, 201699C, 350104C and twenty-eight 206417
6	351884	Roller Presser, 1 in. diam., 9/64 in. face (fine) (reverse angle) with 1528X, 201699C, 350104C and twenty-eight 206417
7	351885	Roller Presser, 7/8 in. diam., 9/64 in. face (medium) with 1528X, 201699C, 350104C and twenty-eight 206417
8	351887	Roller Presser, 1-1/4 in. diam. 9/64 in. face (fine) with 1528X, 201699C, 350104C and twenty-eight 206417

## FOR MACHINES Nos. 236w104, 236w105, 236w111 AND 236w112

5	351883	Roller Presser, 1 in. diam., 9/64 in. face (fine) with 1528X, 201699C, 350104C and twenty-eight 206417
7	351885	Roller Presser, 7/8 in. diam., 9/64 in. face (medium) with 1528X, 201699C, 350104C and twenty-eight 206417
8	351887	Roller Presser, 1-1/4 in. diam., 9/64 in. face (fine) with 1528X, 201699C, 350104C and twenty-eight 206417

## FOR MACHINE No. 236w110

6	351884	Roller Presser, 1 in. diam., 9/64 in. face (fine) (reverse angle) with 1528X, 201699C, 350104C and twenty-eight 206417
---	--------	--

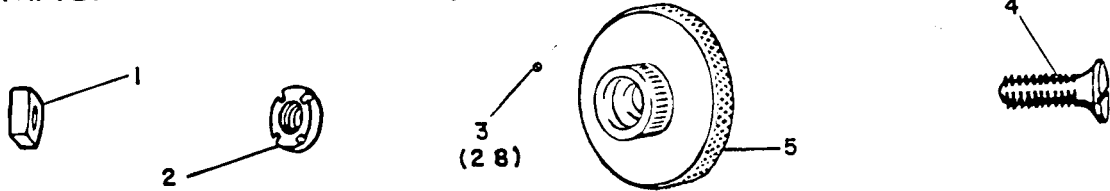
## SPOOL HOLDER

9	350631X	Spool Holder Base Screw Note: 350631X Screw is used in place of the (center) 200194F Arm Top Cover Screw when Spool Holder is used instead of Thread Unwinder
10	204297	Spool Holder complete, Nos. 200079X, 202068 and 204296
11	204296	Spool Holder Wire
12	202068	Spool Holder Base
13	200079X	Spool Holder Wire Hinge Screw

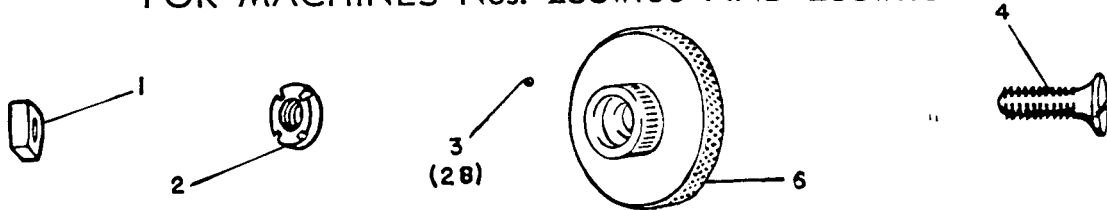
FITTINGS

ROLLER PRESSERS

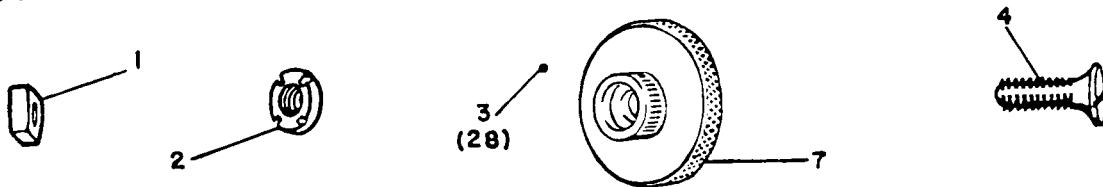
FOR MACHINES Nos. 236w100, 236w104, 236w105, 236w111 AND 236w112



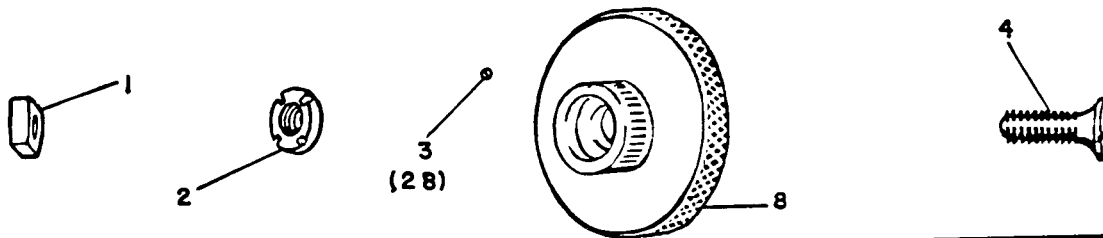
FOR MACHINES Nos. 236w100 AND 236w110



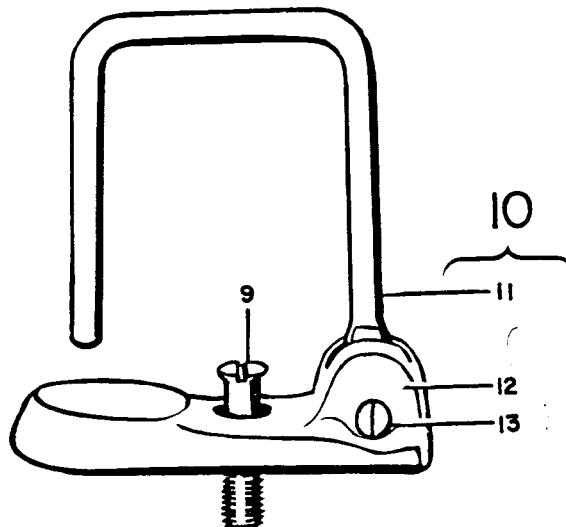
FOR MACHINES Nos. 236w100, 236w104, 236w105, 236w111 AND 236w112



FOR MACHINES Nos. 236w100, 236w104, 236w105, 236w111 AND 236w112



SPOOL HOLDER



FITTINGS  
 ROLLER PRESSER DRIVING BELT (LOWER)  
 DRIVING PULLEYS

FOR USE WITH  $\frac{7}{8}$  INCH ROLLER PRESSERS

<u>Ref. No.</u>	<u>Part No.</u>	<u>Description</u>
1	263580	Roller Presser Driving Belt (lower) Driving Pulley with two 200958C
2	200958C	Roller Presser Driving Belt (lower) Driving Pulley Set Screw

FOR USE WITH 1 INCH ROLLER PRESSERS

3	263508	Roller Presser Driving Belt (lower) Driving Pulley with two 200958C
2	200958C	Roller Presser Driving Belt (lower) Driving Pulley Set Screw

FOR USE WITH 1 -  $\frac{1}{4}$  INCH ROLLER PRESSERS

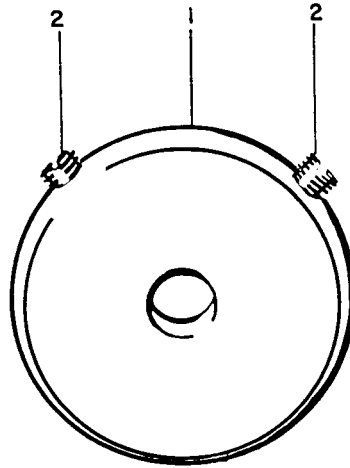
4	263588	Roller Presser Driving Belt (lower) Driving Pulley with two 200364C
5	200364C	Roller Presser Driving Belt (lower) Driving Pulley Set Screw

FITTINGS

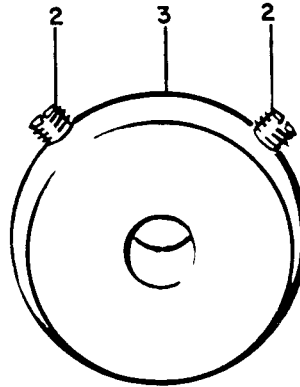
ROLLER PRESSER DRIVING BELT (LOWER)

DRIVING PULLEYS

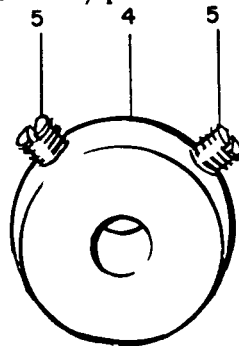
FOR USE WITH  $\frac{7}{8}$  INCH ROLLER PRESSERS



FOR USE WITH 1 INCH ROLLER PRESSERS



FOR USE WITH 1 -  $\frac{1}{4}$  INCH ROLLER PRESSERS



**ATTACHMENTS**  
**FOR MACHINE No. 236w100**

Ref. No.    Part No.

Description

**ADJUSTABLE CALIFORNIA WRAPPER ATTACHMENT**

1      259836      Adjustable California Wrapper Attachment

**EDGE GUIDE ATTACHMENT (SWING-UP)  
WITH CALIFORNIA EDGE GUIDE**

2      259837      Edge Guide Attachment (Swing-up) with California Edge Guide

**EDGE GUIDE ATTACHMENT (SWING-UP)  
WITH PLAIN EDGE GUIDE**

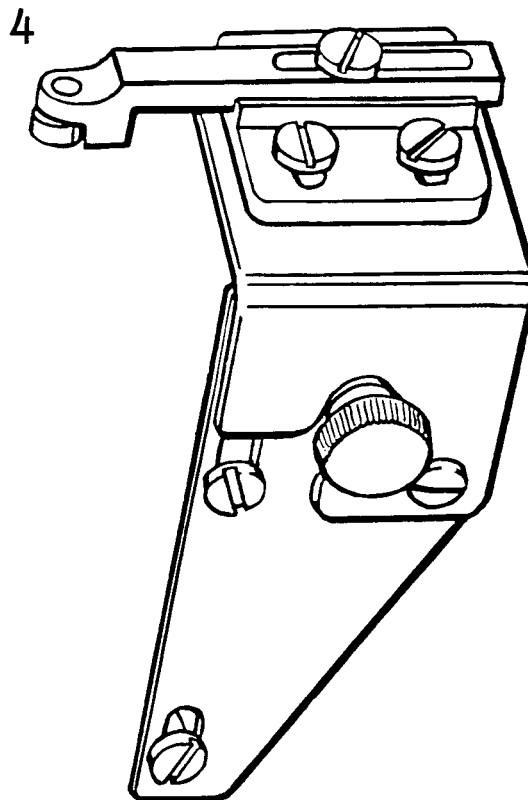
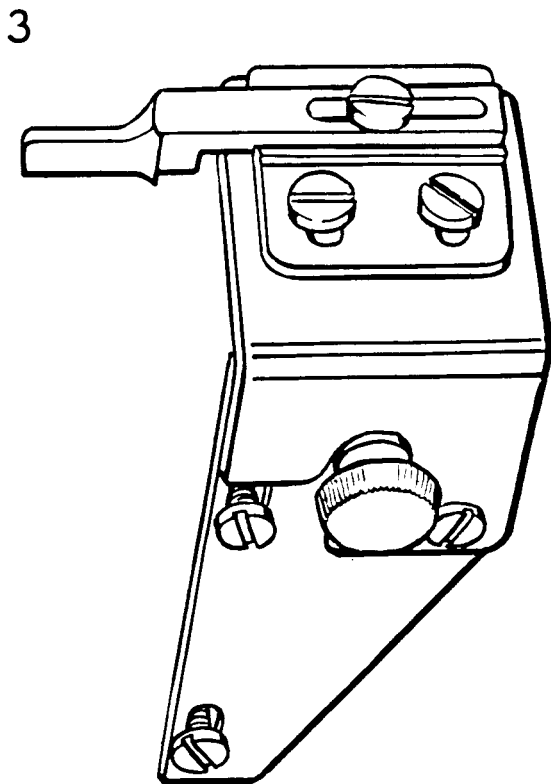
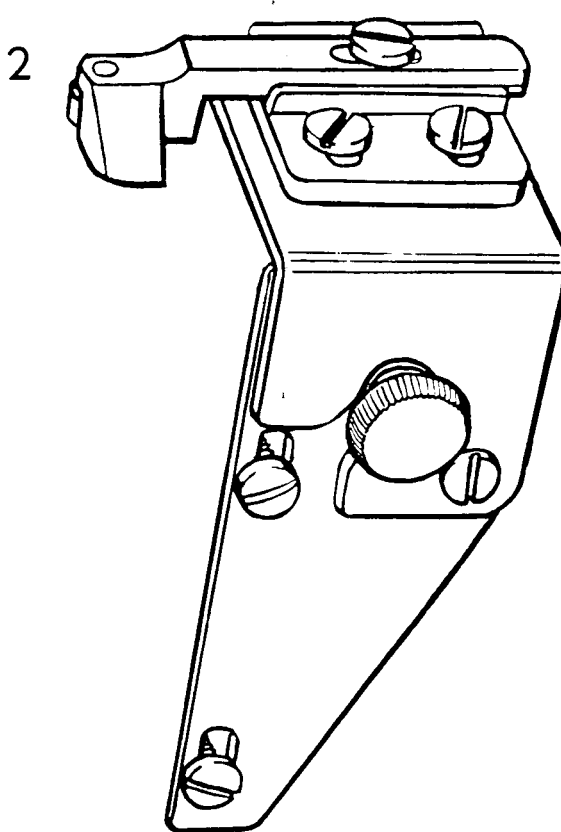
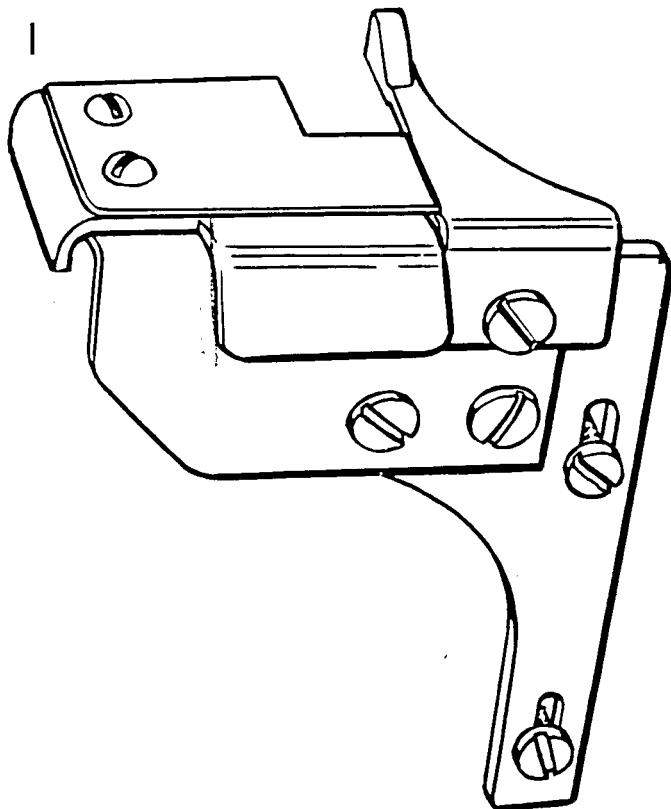
3      259838      Edge Guide Attachment (Swing-up) with Plain Edge Guide

**EDGE GUIDE ATTACHMENT (SWING-UP)  
WITH ROLLER EDGE GUIDE**

4      259839      Edge Guide Attachment (Swing-up) with Roller Edge Guide

# ATTACHMENTS

FOR MACHINE No. 236w100



## ATTACHMENTS

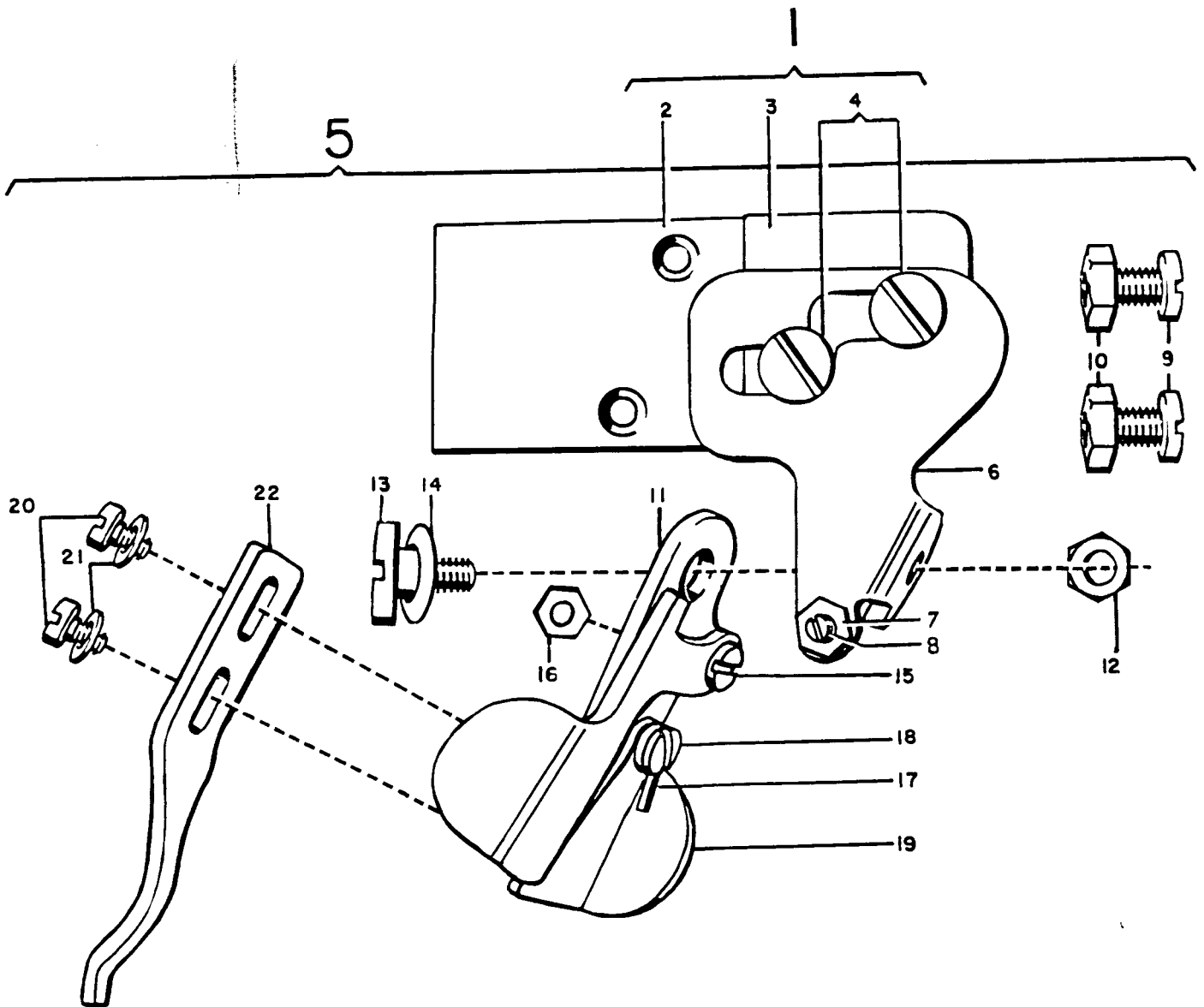
## EDGE GUIDE

ON SWITCH-UP BRACKET

FOR MACHINE No. 236w100

<u>Ref. No.</u>	<u>Part No.</u>	<u>Description</u>
1	263807	Edge Guide Position Bracket complete, Nos. 263805, 263806 and two 200048E
2	263805	Edge Guide Position Bracket
3	263806	Edge Guide Position Bracket Spacer
4	200048E	Edge Guide Position Bracket Spacer Screw
5	259006	Edge Guide on Switch-up Bracket complete, Nos. 200268D, 200305E, 200311E, 201533E, 201537E, 226467, 259001 to 259005, two each 200126D, 200157E, 201539E and 202603
6	259002	Edge Guide Switch-up Bracket with 200336E and 201535E
7	201535E	Edge Guide Switch-up Lever Stop Screw Nut
8	200336E	Edge Guide Switch-up Lever Stop Screw
9	200157E	Edge Guide Switch-up Bracket Screw
10	201539E	Edge Guide Switch-up Bracket Screw Nut
11	259003	Edge Guide Switch-up Lever
12	201533E	Edge Guide Switch-up Lever Hinge Screw Nut
13	200268D	Edge Guide Switch-up Lever Hinge Screw
14	226467	Edge Guide Switch-up Lever Hinge Screw Washer
15	200305E	Edge Guide Switch-up Lever Latch Hinge Screw
16	201537E	Edge Guide Switch-up Lever Latch Hinge Screw Nut
17	259005	Edge Guide Switch-up Lever Latch Spring
18	200311E	Edge Guide Switch-up Lever Latch Spring Screw
19	259004	Edge Guide Switch-up Lever Latch
20	200126D	Edge Guide Screw
21	202603	Edge Guide Screw Washer
22	259001	Edge Guide

ATTACHMENTS  
EDGE GUIDE  
ON SWITCH-UP BRACKET  
FOR MACHINE No. 236w100





ATTACHMENTS  
NEEDLE BARS

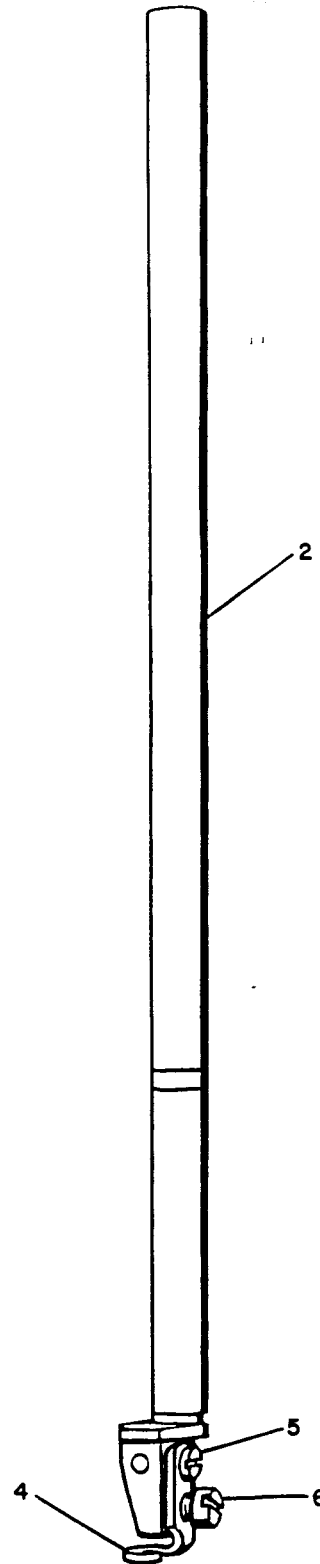
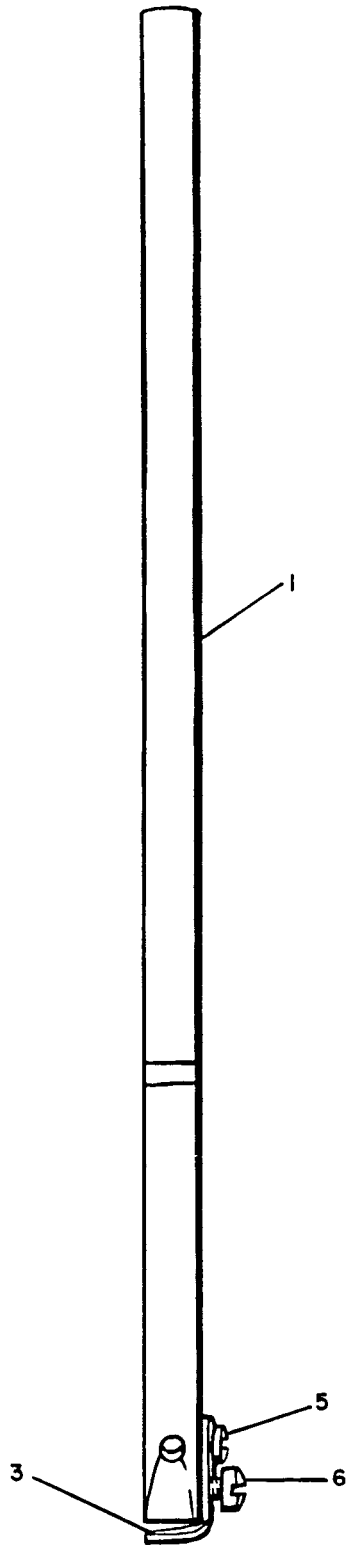
<u>Ref. No.</u>	<u>Part No.</u>	<u>Description</u>
1	263489	Needle Bar with 200125ALX, 200175D and 249270 (regularly fitted in 236w Machines)
1	263589	Needle Bar with 200125ALX, 200175D and 249270- (.065 diam. needle shank hole, for 16 class Needles)
2	263598	Needle Bar (offset) with 200125ALX, 200175D and 263599, for 263808 and 263810 (used when applying French Cord simultaneously with reinforcing tape)
3	249270	Needle Bar Thread Guide
4	263599	Needle Bar Thread Guide
5	200175D	Needle Bar Thread Guide Screw
6	200125ALX	Needle Set Screw

FOR FRENCH CORD WORK

FOR MACHINE No. 236w100

263809	French Cord Binding Attachment (adjustable) for leather strips from 3/8 to 1/2 in. wide (Ketterer type, W.S. Besset Inc.)
263810	Parts complete, for applying French Cord simultaneously with reinforcing tape, Nos. 201207D, 228849, 259842, 263580, 263581, 263598, 263809, 351885 and two 350620ALX
263811	Parts complete, for Plain French Cord Binding (leather) Nos. 201207D, 228849, 263580, 263581, 263585, 263809, 351885 and two 350620ALX

ATTACHMENTS  
NEEDLE BARS



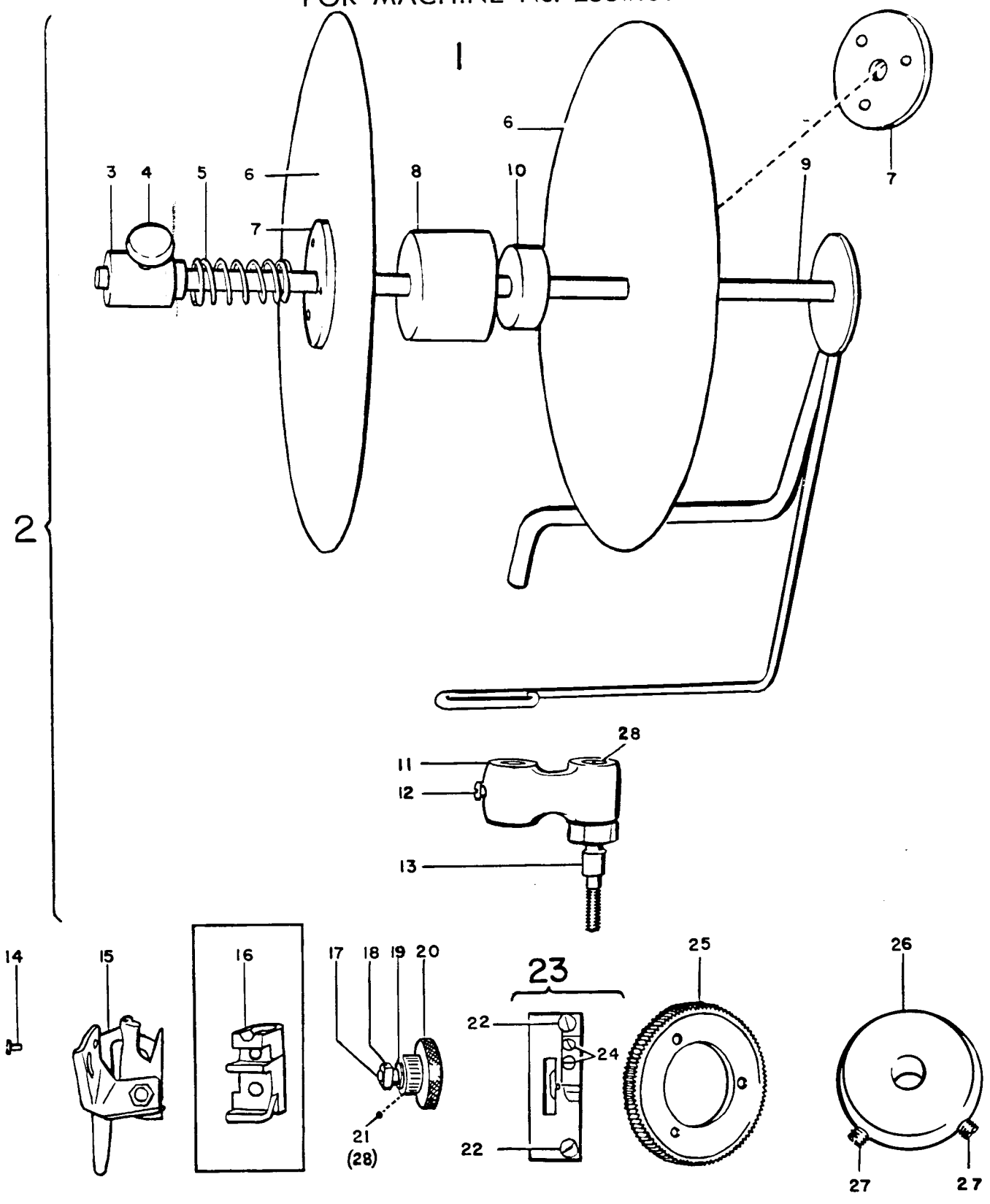
ATTACHMENTS  
FOR PLAIN FRENCH CORD BINDING  
FOR MACHINE No. 236w100

Ref. No.	Part No.	<u>Description</u>
1	263587	Parts complete, Nos. 201207D, 228849, 263580, 263581, 263585, 263586, 351885 and two 350620ALX
2	228849	Strip Reel complete, for Plain French Cord Binding, Nos. 13211, 26073, 200194F, 228468, 228469, 228847, 228848, 350632X and two 226199
3	26073	Strip Reel Tension Adjusting Collar with 51224W
4	51224W	Strip Reel Tension Adjusting Collar Thumb Screw
5	13211	Strip Reel Tension Adjusting Spring
6	226199	Strip Reel Disc (6 in. diam.) with 225980
7	225980	Strip Reel Disc Base
8	228469	Strip Roll Adapter 7/8 in. wide, 1-1/4 in. diameter
9	228848	Strip Reel Disc Rod
10	228468	Strip Roll Adapter 5/16 in. wide, 31/32 in. diameter
11	228847	Strip Reel Disc Rod Bracket with 200084F
12	200084F	Strip Reel Disc Rod Set Screw
13	350632X	Strip Reel Disc Rod Bracket Screw Stud
14	201207D	Binding Attachment Screw
15	263586	Binding Attachment (Ketterer Type-W.S. Bessett, Inc.)
16	235087	Roller Presser Arm Bracket (Also in Machine Page 30)
17	350104C	Roller Presser Hinge Screw
18	1528X	Roller Presser Hinge Screw Nut
19	201699C	Roller Presser Ball Cone
20	351885	Roller Presser, 7/8 in. diam., 9/64 in. face (medium) with 1528X, 201699C, 350104C and twenty-eight 206417 (For Plain French Cord Binding)
21	206417	Roller Presser Ball, 1/16 in. diameter
22	350620ALX	Throat Plate Screw
23	263585	Throat Plate complete (beveled) 56 elongated needle hole, for needle sizes 12 and 13, Nos. *263583, *263584 and two 350446X (For Plain French Cord Binding)
24	350446X	Throat Plate Edge Guide Screw
25	263581	Feed Wheel (flat) (close feed) (serrated) (For Plain French Cord Binding)
26	263580	Roller Presser Driving Belt (lower) Driving Pulley with two 200958C
27	200958C	Roller Presser Driving Belt (lower) Driving Pulley Set Screw
28	200194F	Strip Reel Disc Rod Bracket Screw Stud Screw
	*263583	Throat Plate (beveled) 56 elongated needle hole
	*263584	Throat Plate Edge Guide

REGULAR PARTS TO BE REMOVED WHEN CONVERTING TO ABOVE  
FOR FRENCH CORD BINDING

249105	Throat Plate
263508	Roller Presser Driving Belt Lower Driving Pulley
263575	Feed Wheel
351883	Roller and Stud

ATTACHMENTS  
FOR PLAIN FRENCH CORD BINDING  
FOR MACHINE No. 236w100



ATTACHMENTS  
FOR FRENCH CORD BINDING

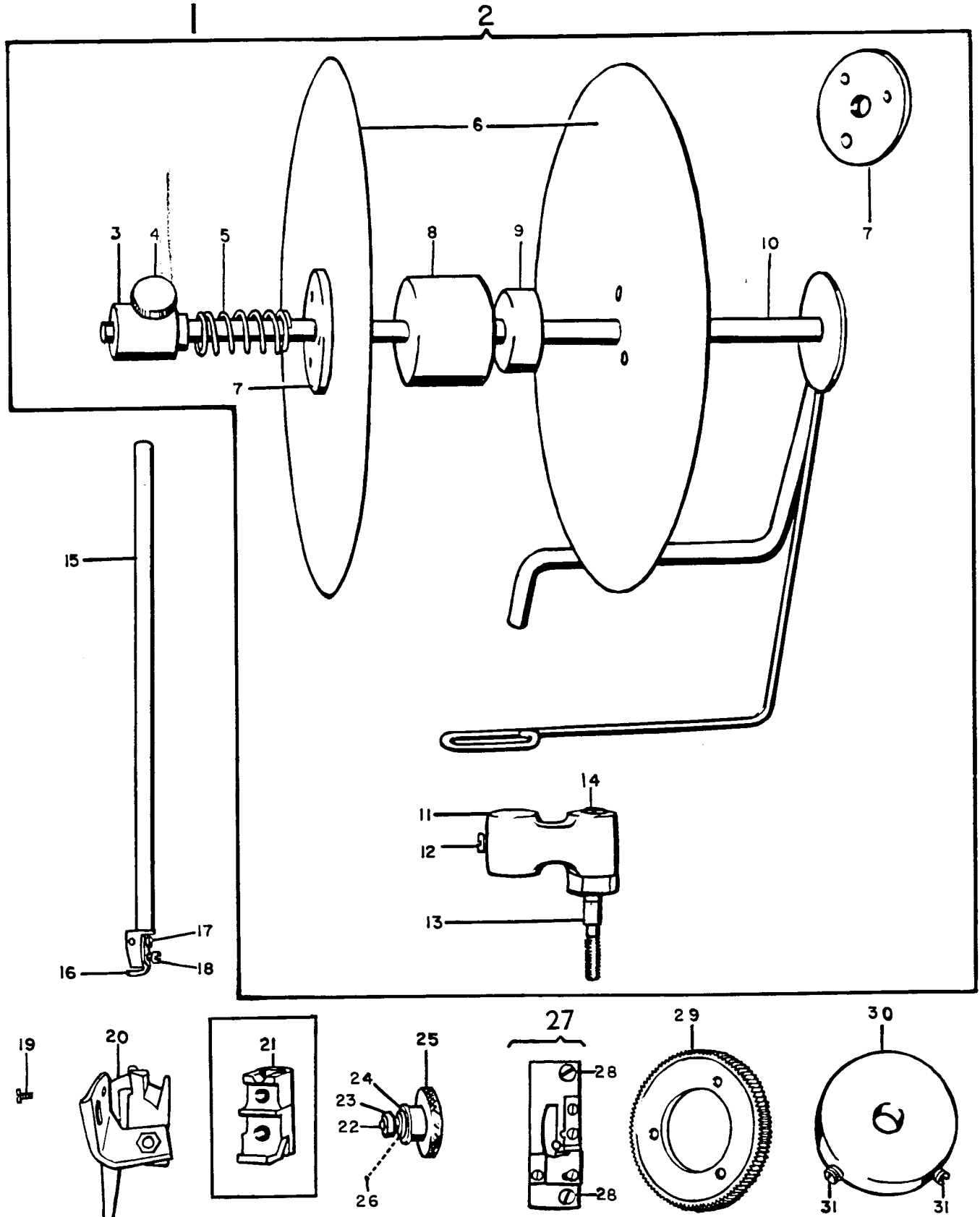
WITH REINFORCING TAPE  
FOR MACHINE No. 236w100

Ref. No.	Part No.	Description
1	263808	Parts complete, for applying French Cord Binding simultaneously with reinforcing tape Nos. 201207D, 228849, 259842, 263580, 263581, 263586, 263598, 351885 and two 350620ALX
2	228849	Strip Reel complete, for Plain French Cord Binding, Nos. 13211, 26073, 200194F, 228468, 228469, 228847, 228848, 350632X and two 226199
3	26073	Strip Reel Tension Adjusting Collar with 51224W
4	51224W	Strip Reel Tension Adjusting Collar Thumb Screw
5	13211	Strip Reel Tension Adjusting Spring
6	226199	Strip Reel Disc (6 in. diam.) with 225980
7	225980	Strip Reel Disc Base
8	228469	Strip Roll Adapter, 7/8 in. wide, 1-1/4 in. diameter
9	228468	Strip Roll Adapter, 5/16 in. wide, 31/32 in. diameter
10	228848	Strip Reel Disc Rod
11	228847	Strip Reel Disc Rod Bracket with 200084F
12	200084F	Strip Reel Disc Rod Set Screw
13	350632X	Strip Reel Disc Rod Bracket Screw Stud
14	200194F	Strip Reel Disc Rod Bracket Screw Stud Screw
15	263598	Needle Bar (Offset) with 200125ALX, 200175D and 263599
16	263599	Needle Bar Thread Guide
17	200175D	Needle Bar Thread Guide Screw (also in Machine Page 30)
18	200125ALX	Needle Set Screw (also in Machine Page 30)
19	201207D	Binding Attachment Screw
20	263586	Binding Attachment (Ketterer Type-W.S. Bessett, Inc.)
21	235087	Roller Presser Arm Bracket (Also in Machine Page 30)
22	350104C	Roller Presser Hinge Screw
23	1528X	Roller Presser Hinge Screw Nut
24	201699C	Roller Presser Ball Cone
25	351885	Roller Presser, 7/8 in. diam., 9/64 in. face (medium) with 1528X, 201699C, 350104C and twenty-eight 206417 (For Plain French Cord Binding)
26	206417	Roller Presser Ball, 1/16 in. diameter
27	259842	Throat Plate complete with Adjustable Edge Guide and Adjustable Tape Guide (Bessett)
28	350620ALX	Throat Plate Screw
29	263581	Feed Wheel (flat) (close feed) (serrated) (For Plain French Cord Binding)
30	263580	Roller Presser Driving Belt (lower) Driving Pulley with two 200958C
31	200958C	Roller Presser Driving Belt (lower) Driving Pulley Set Screw

REGULAR PARTS TO BE REMOVED WHEN CONVERTING TO ABOVE  
FOR FRENCH CORD BINDING WITH REINFORCING TAPE

249105	Throat Plate
263489	Needle Bar
263508	Roller Presser Driving Belt Lower Driving Pulley
263575	Feed Wheel
351883	Roller and Stud

ATTACHMENTS  
FOR FRENCH CORD BINDING  
WITH REINFORCING TAPE  
FOR MACHINE No. 236w100



## ATTACHMENTS

SOUTACHE BRAID ATTACHMENT  
FOR APPLYING SOUTACHE BRAID  
OR SINGLE NEEDLE STRIPPING  
FOR MACHINE No. 236w100

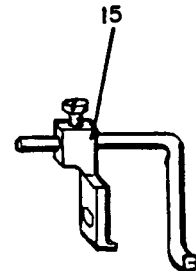
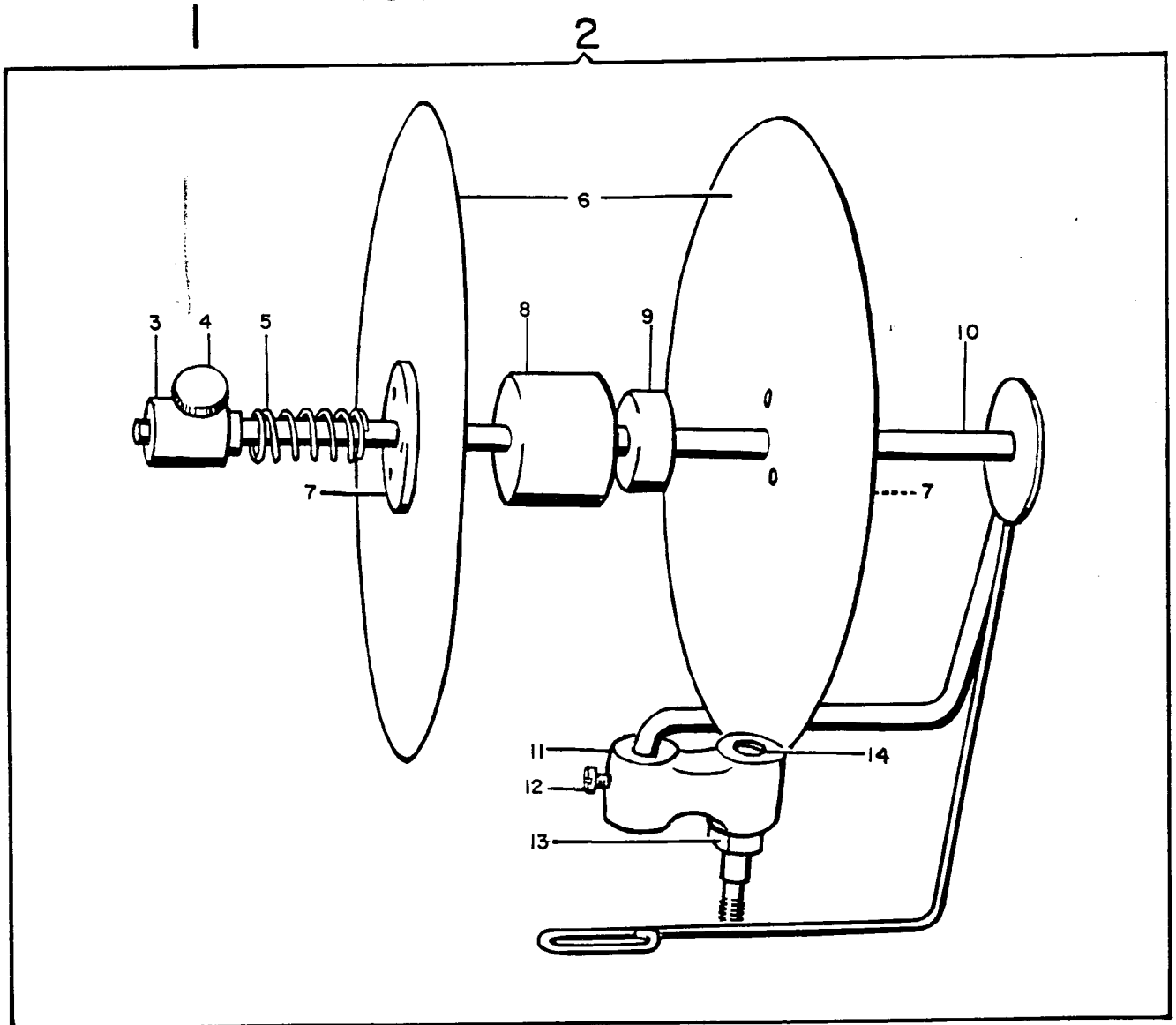
<u>Ref. No.</u>	<u>Part No.</u>	<u>Description</u>
1	259856	Soutache Braid Attachment complete, Nos. 200082D, 201240D, 228849, 229744, 236645 and 259841, for applying Soutache Braid or Single Needle stripping 3/32 in. minimum width; Sample must be furnished.
2	228849	Strip Reel complete, for Plain French Cord Binding, Nos. 13211, 26073, 200194F, 228468, 228469, 228847, 228848, 350632X and two 226199
3	26073	Strip Reel Tension Adjusting Collar with 51224W
4	51224W	Strip Reel Tension Adjusting Collar Thumb Screw
5	13211	Strip Reel Tension Adjusting Spring
6	226199	Strip Reel Disc (6 in. diam.) with 225980
7	225980	Strip Reel Disc Base
8	228469	Strip Roll Adapter, 7/8 in. wide, 1-1/4 in. diameter
9	228468	Strip Roll Adapter, 5/16 in. wide, 31/32 in. diameter
10	228848	Strip Reel Disc Rod
11	228847	Strip Reel Disc Rod Bracket with 200084F
12	200084F	Strip Reel Disc Rod Set Screw
13	350632X	Strip Reel Disc Rod Bracket Screw Stud
14	200194F	Strip Reel Disc Rod Bracket Screw Stud Screw
15	259841	Soutache Braid Attachment
16	229744	Roller Presser Arm Shim, 1/64 in. thick
17	201240D	Soutache Braid Attachment Screw
18	236645	Roller Presser Arm Shim, .024 in. thick
19	200082D	Roller Presser Arm Screw

ATTACHMENTS

SOUTACHE BRAID ATTACHMENT

FOR APPLYING SOUTACHE BRAID OR SINGLE NEEDLE STRIPPING

FOR MACHINE No. 236w100





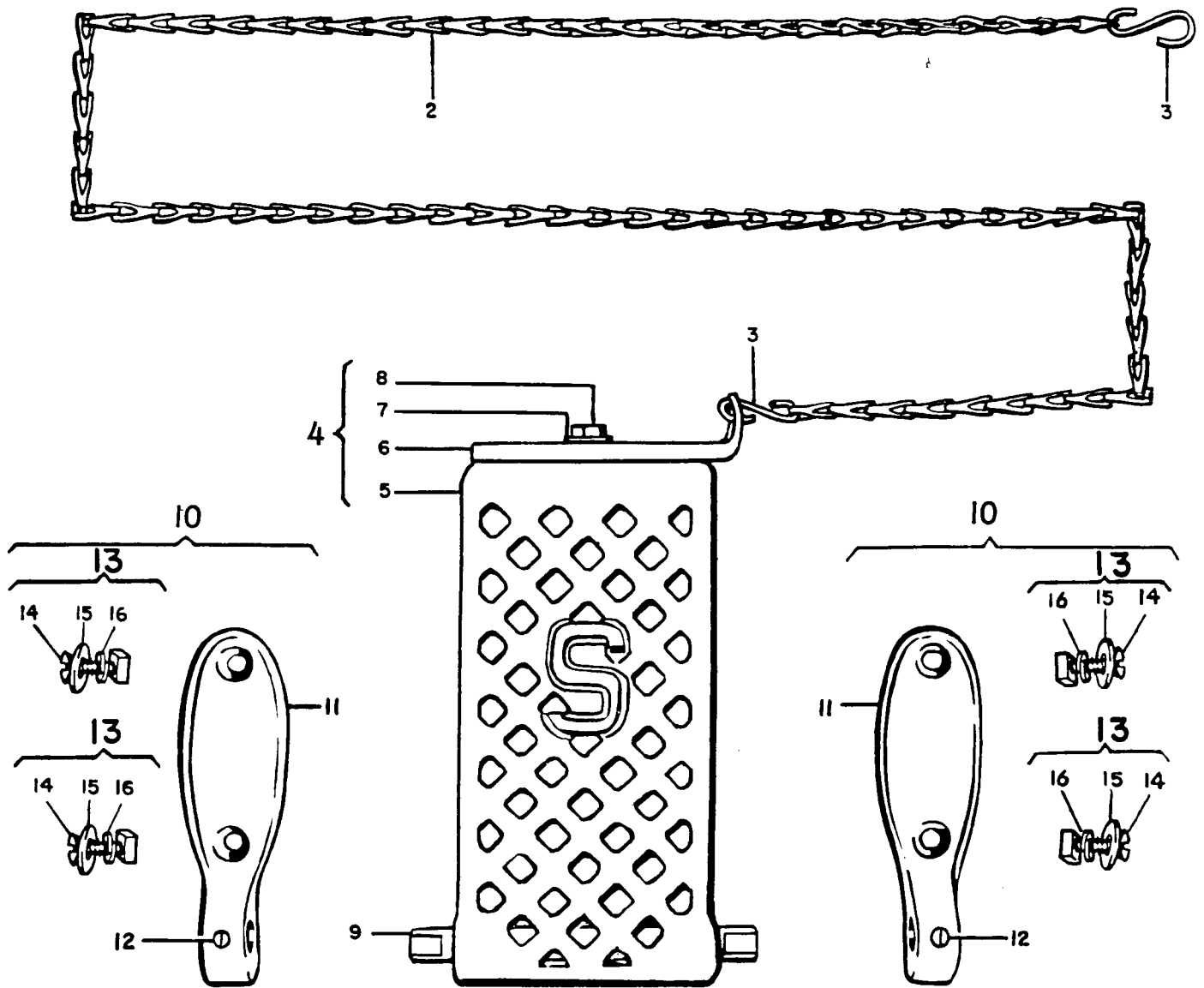
## ATTACHMENTS

FOOT LIFTER TREADLE  
 (FOR STANDS WITH FLAT TREADLE SUPPORT)  
 FURNISHED ONLY WHEN SO ORDERED

<u>Ref. No.</u>	<u>Part No.</u>	<u>Description</u>
1	228838	Foot Lifter Treadle (for Stands with flat Treadle Support) complete, Nos. 227779, 228836, 228837 and two 228678
2	227779	Chain, 48 in. long, with two 202784
3	202784	Chain Hook
4	228836	Treadle 228835 with 2718R, 14373 and 50581R
5	228835	Treadle
6	14373	Treadle Extension
7	2718R	Treadle Extension Screw Washer
8	50581R	Treadle Extension Screw
9	228837	Treadle Shaft
10	228678	Treadle Bracket 228677 with two 46709
11	228677	Treadle Bracket with 200358C
12	200358C	Treadle Shaft Set Screw
13	46709	Treadle Bracket Bolt 51074R with 23250 and 67425
14	51074R	Treadle Bracket Bolt
15	23250	Treadle Bracket Bolt Washer
16	67425	Treadle Bracket Bolt Lock Washer

ATTACHMENTS  
FOOT LIFTER TREADLE  
(FOR STANDS WITH FLAT TREADLE SUPPORT)  
FURNISHED ONLY WHEN SO ORDERED

1



## ATTACHMENTS

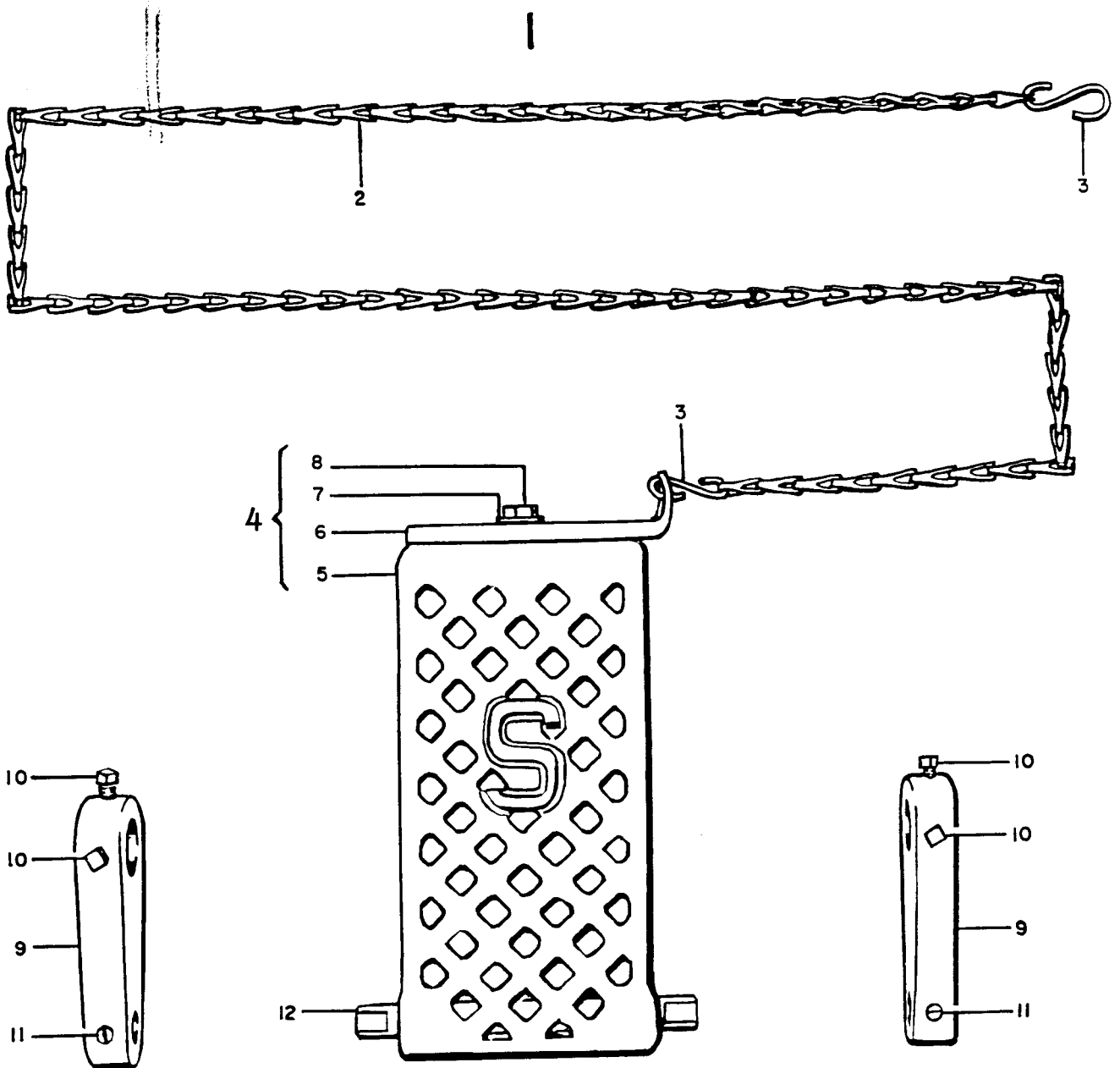
FOOT LIFTER TREADLE  
 (FOR STANDS WITH ROUND TREADLE SUPPORT)  
 FURNISHED ONLY WHEN SO ORDERED

<u>Ref. No.</u>	<u>Part No.</u>	<u>Description</u>
1	228840	Foot Lifter Treadle (for Stands with round Treadle Support) complete, Nos. 227779, 228836, 228837 and two 228683
2	227779	Chain, 48 in. long, with two 202784
3	202784	Chain Hook
4	228836	Treadle 228835 with 2718R, 14373 and 50581R
5	228835	Treadle
6	14373	Treadle Extension
7	2718R	Treadle Extension Screw Washer
8	50581R	Treadle Extension Screw
9	228683	Treadle Bracket with 200358C and two 200528C
10	200528C	Treadle Bracket Set Screw
11	200358C	Treadle Shaft Set Screw
12	228837	Treadle Shaft

ATTACHMENTS  
FOOT LIFTER TREADLE

(FOR STANDS WITH ROUND TREADLE SUPPORT)

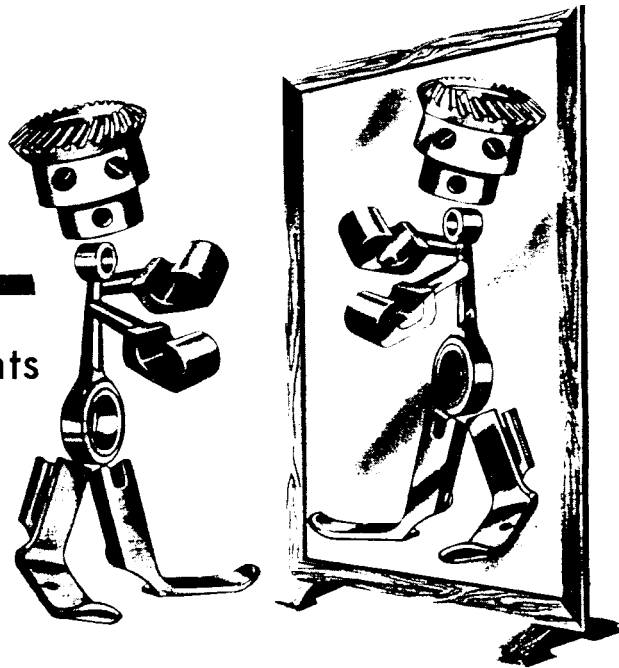
FURNISHED ONLY WHEN SO ORDERED



# The Same!

---

To get replacements  
that are the same  
as parts in new  
machines...



BUY PARTS AND  
NEEDLES MADE BY **SINGER\***

*TO BE DOUBLY SURE...*

of new machine performance, make sure that all  
replacement parts and needles are precisely  
identical to those in new SINGER machines.

**Look for the trademark**

**SINGER\* or SIMANCO\***

- ① on every package or container
- ② on the needle or numbered part

Needles in containers marked "For Singer Machines" are NOT made by SINGER.

TO ALL WHOM IT MAY CONCERN: The improper placing or renewal of the trademark "SINGER" or any other of the trademarks of The Singer Manufacturing Company (all of which are duly Registered Trademarks) on any machine that has been repaired, rebuilt, reconditioned, or altered in any way whatsoever outside a SINGER factory or an authorized SINGER agency is forbidden.