

Form 19680
(141)
Printed in U. S. A.

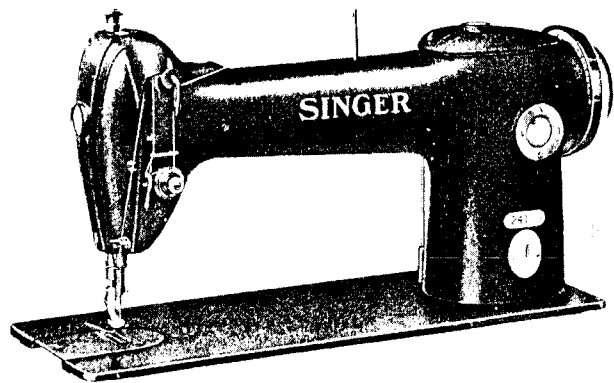
SINGER**

241-3



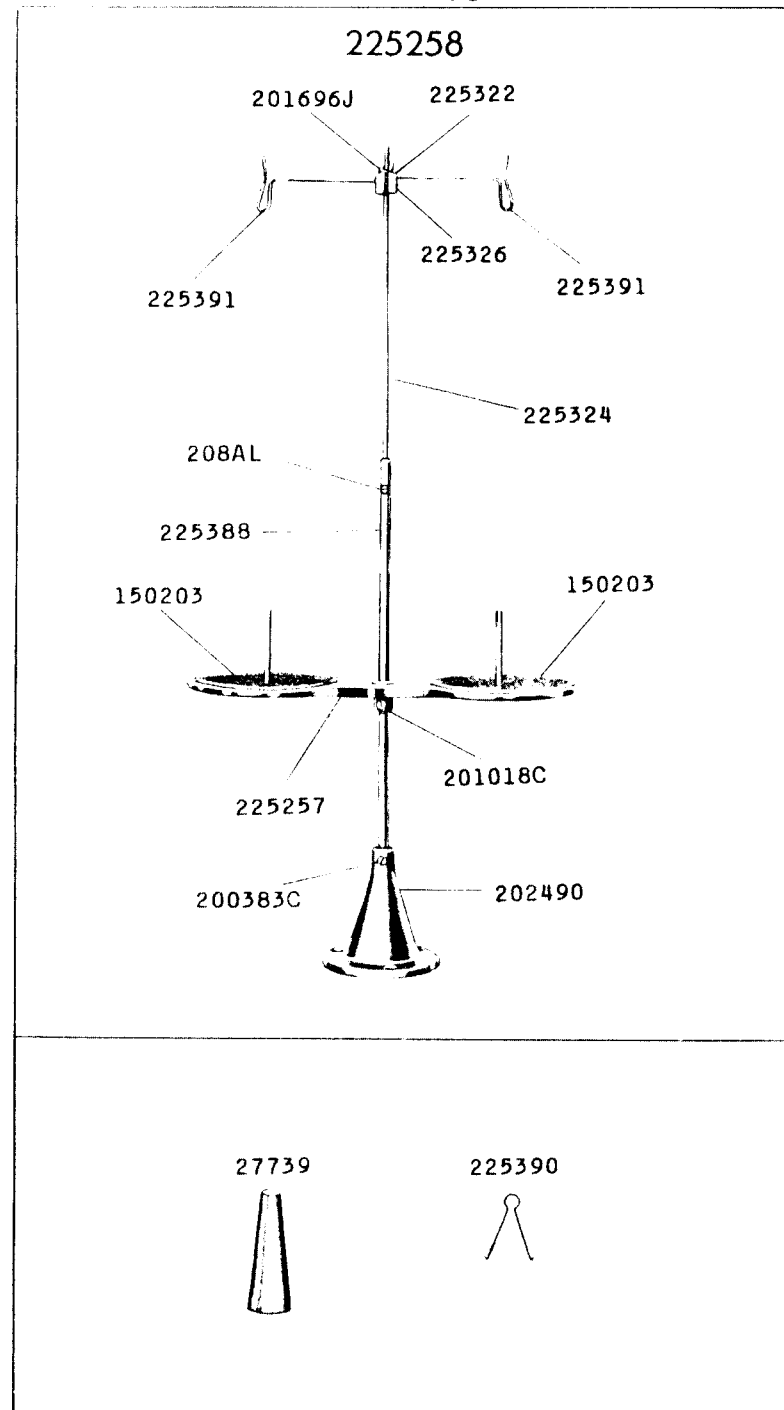
THE SINGER MANUFACTURING COMPANY

***A Trade Mark of THE SINGER MANUFACTURING COMPANY

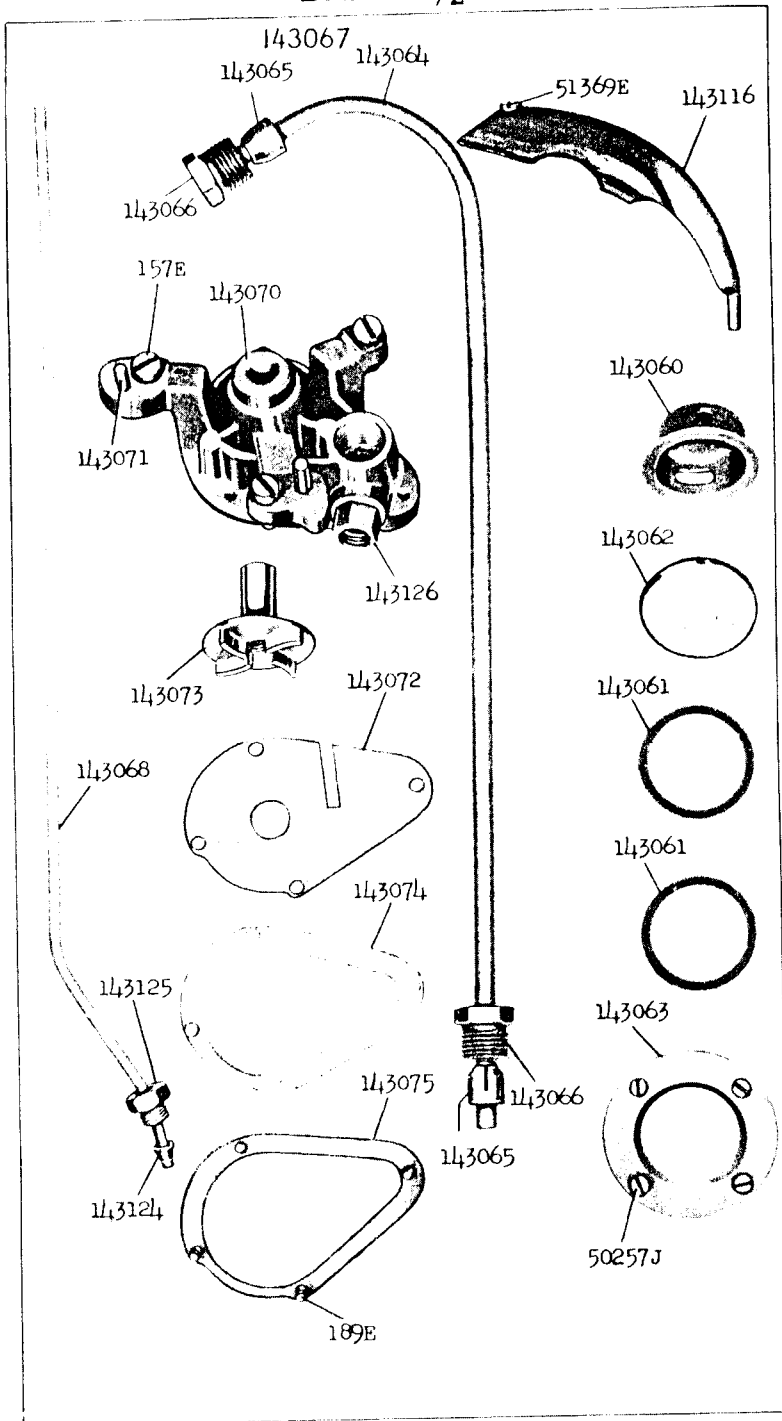


Copyright, U. S. A., 1939, 1940 and 1941,
 by The Singer Manufacturing Company
 All Rights Reserved for all Countries

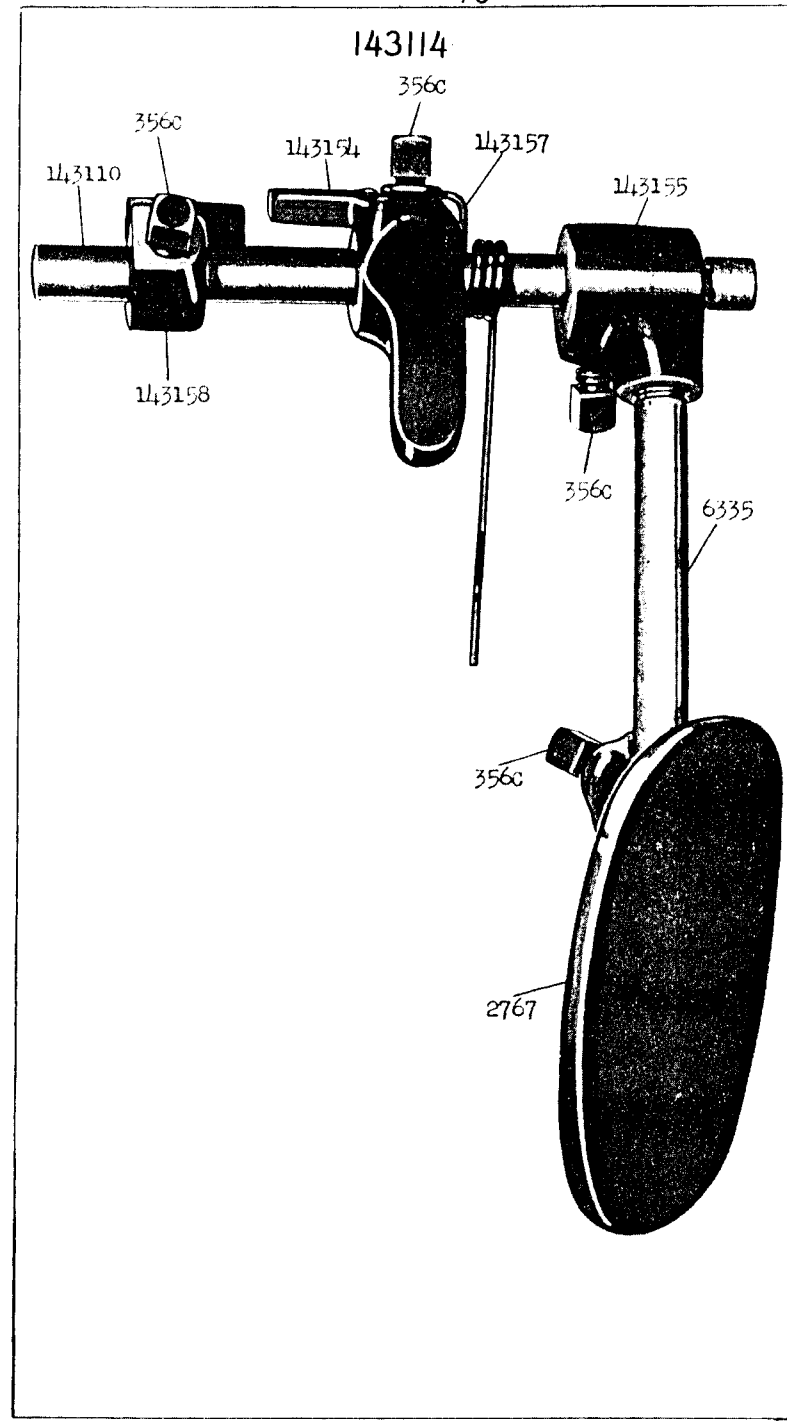
22248 - 1/6

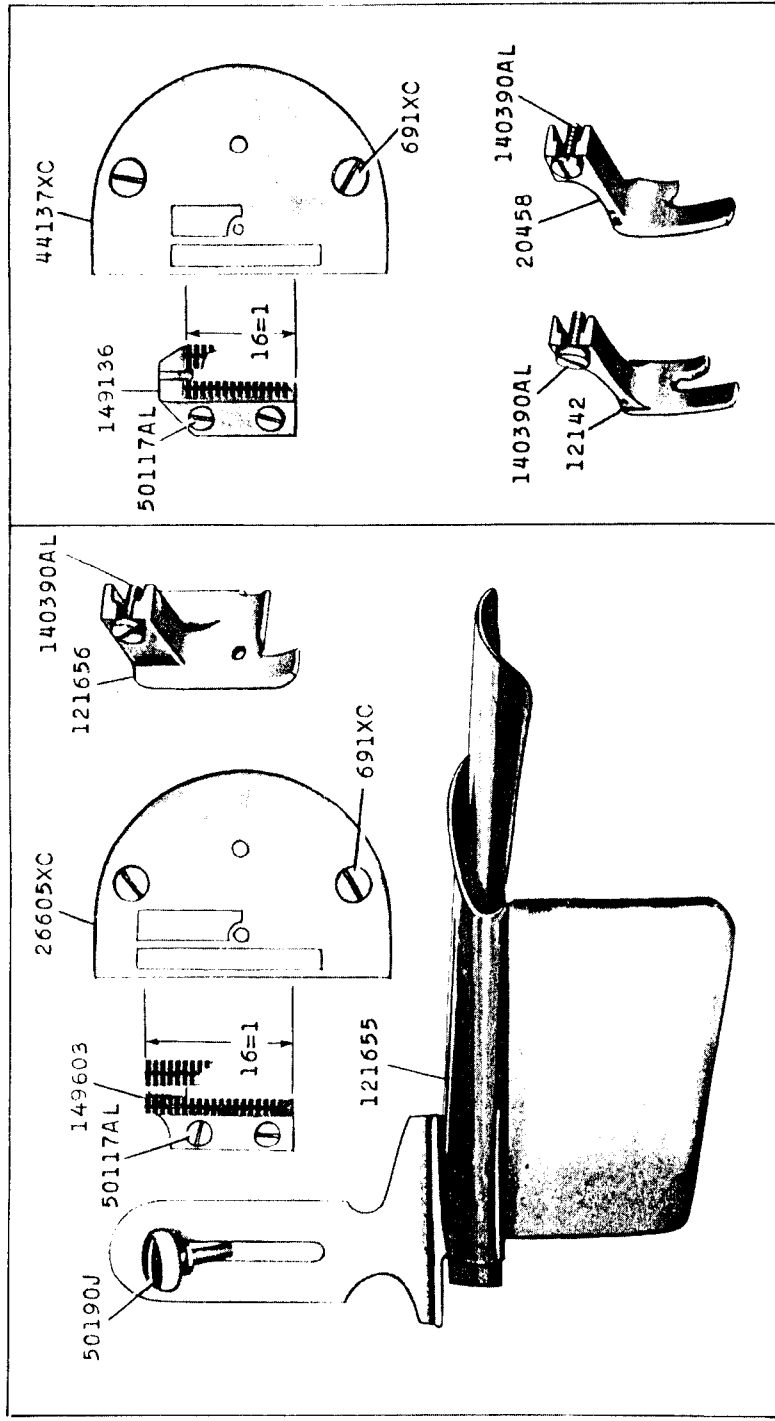
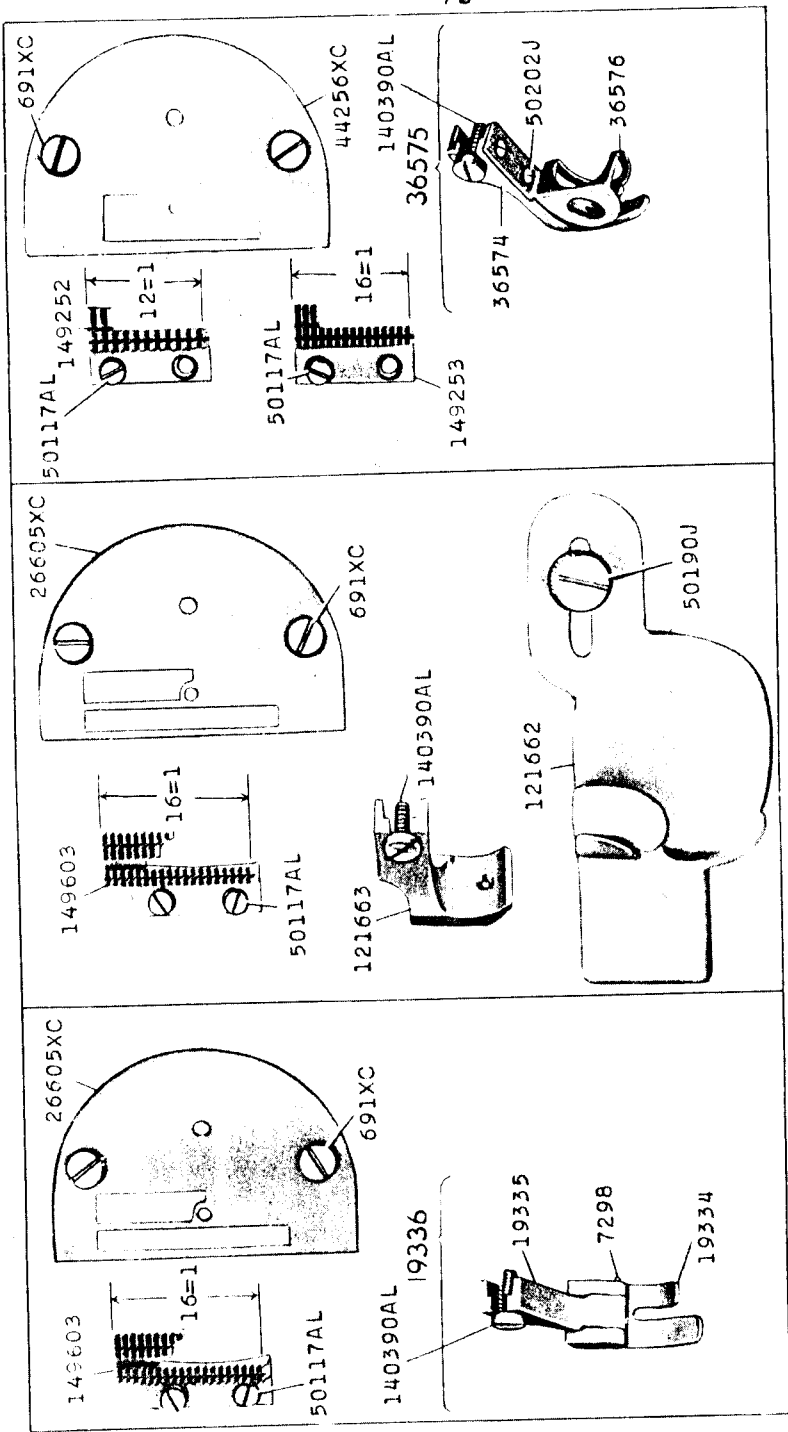


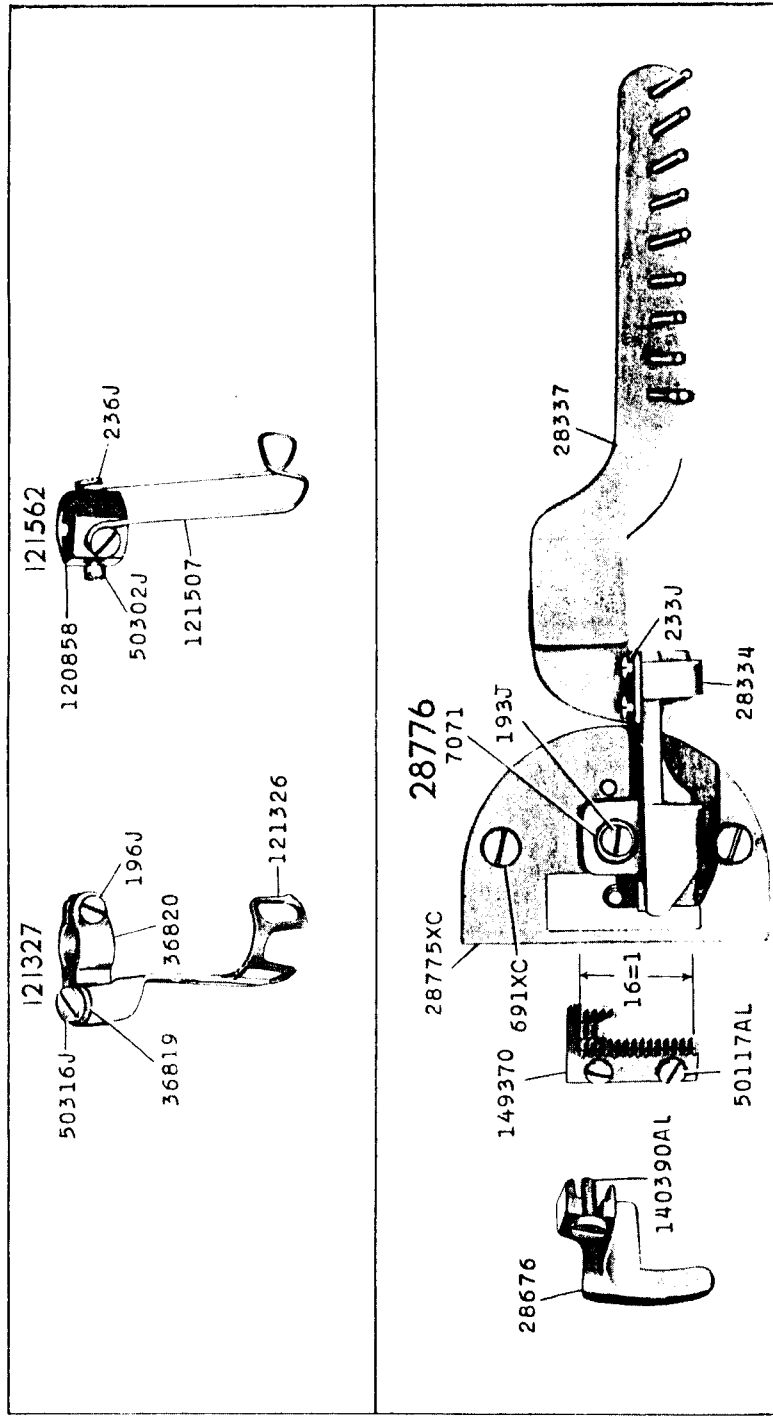
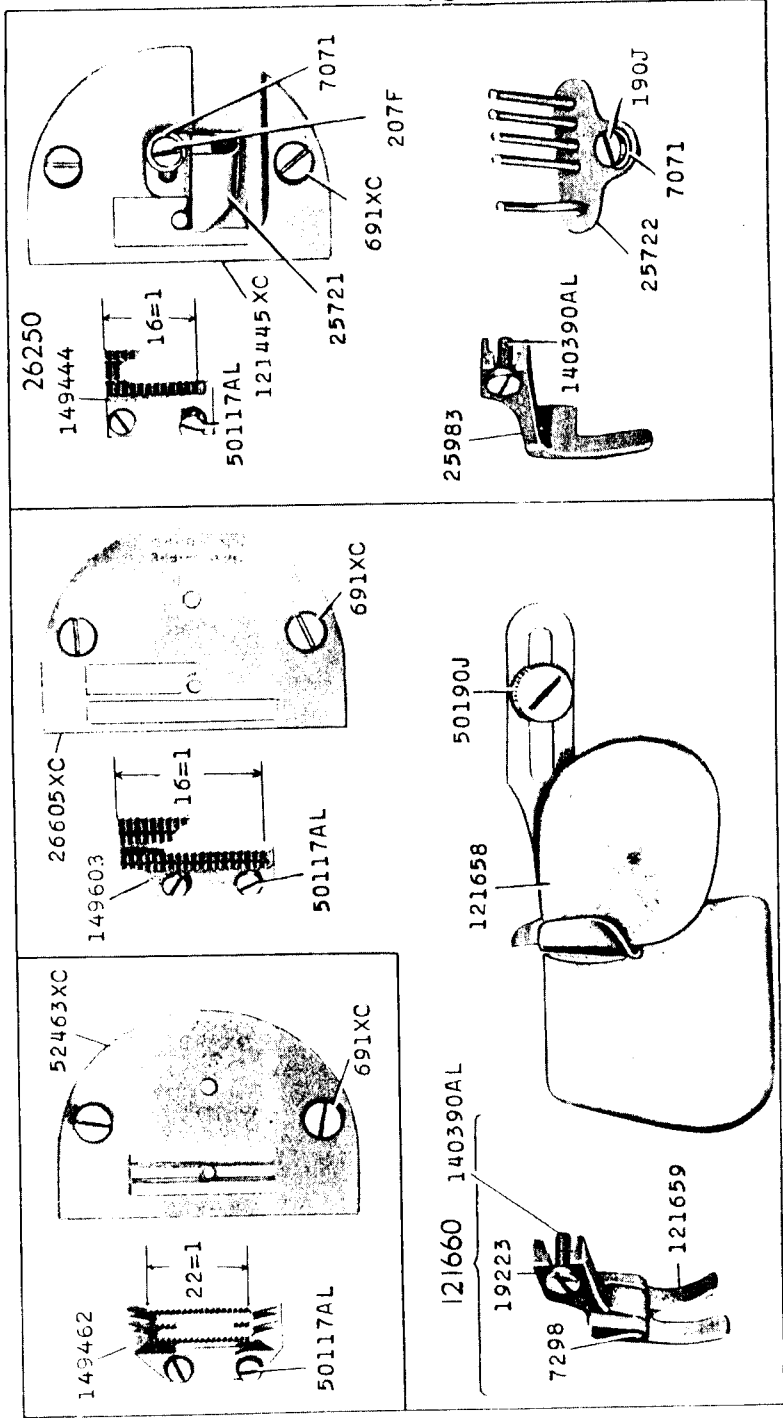
23212 - 1/2

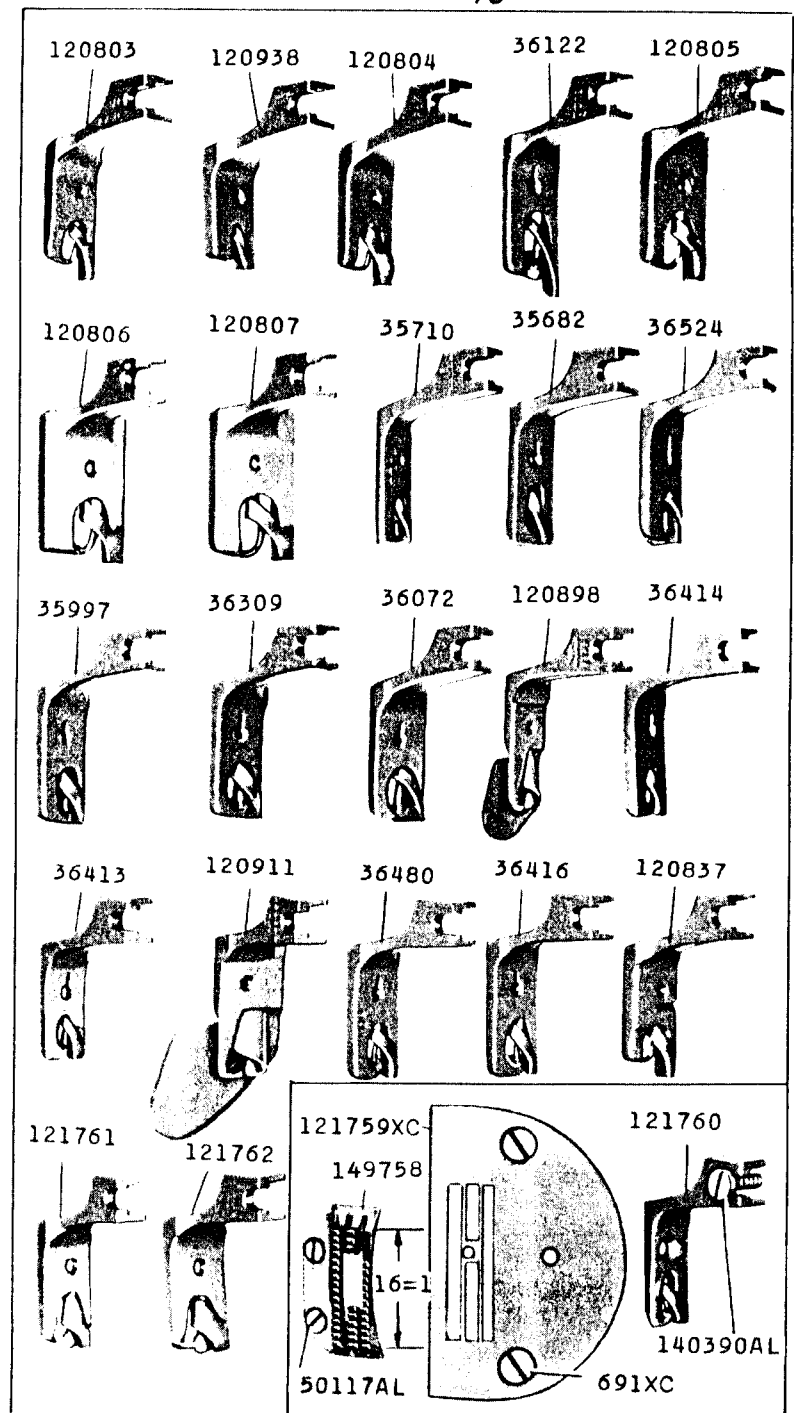
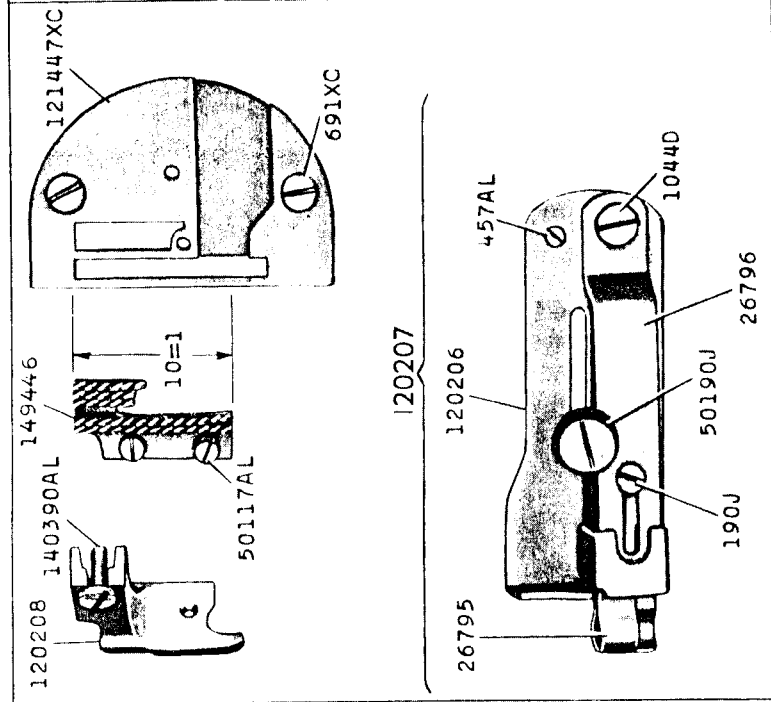
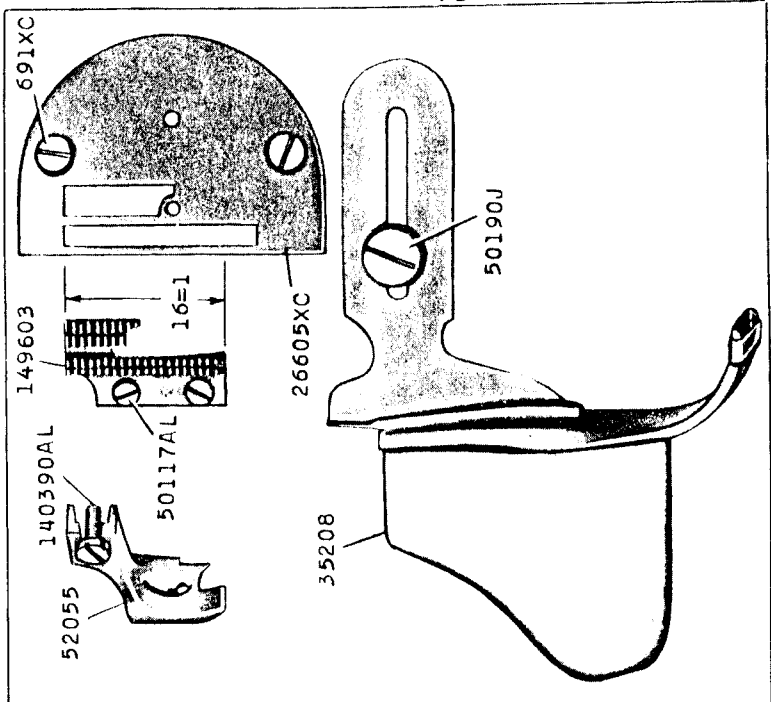


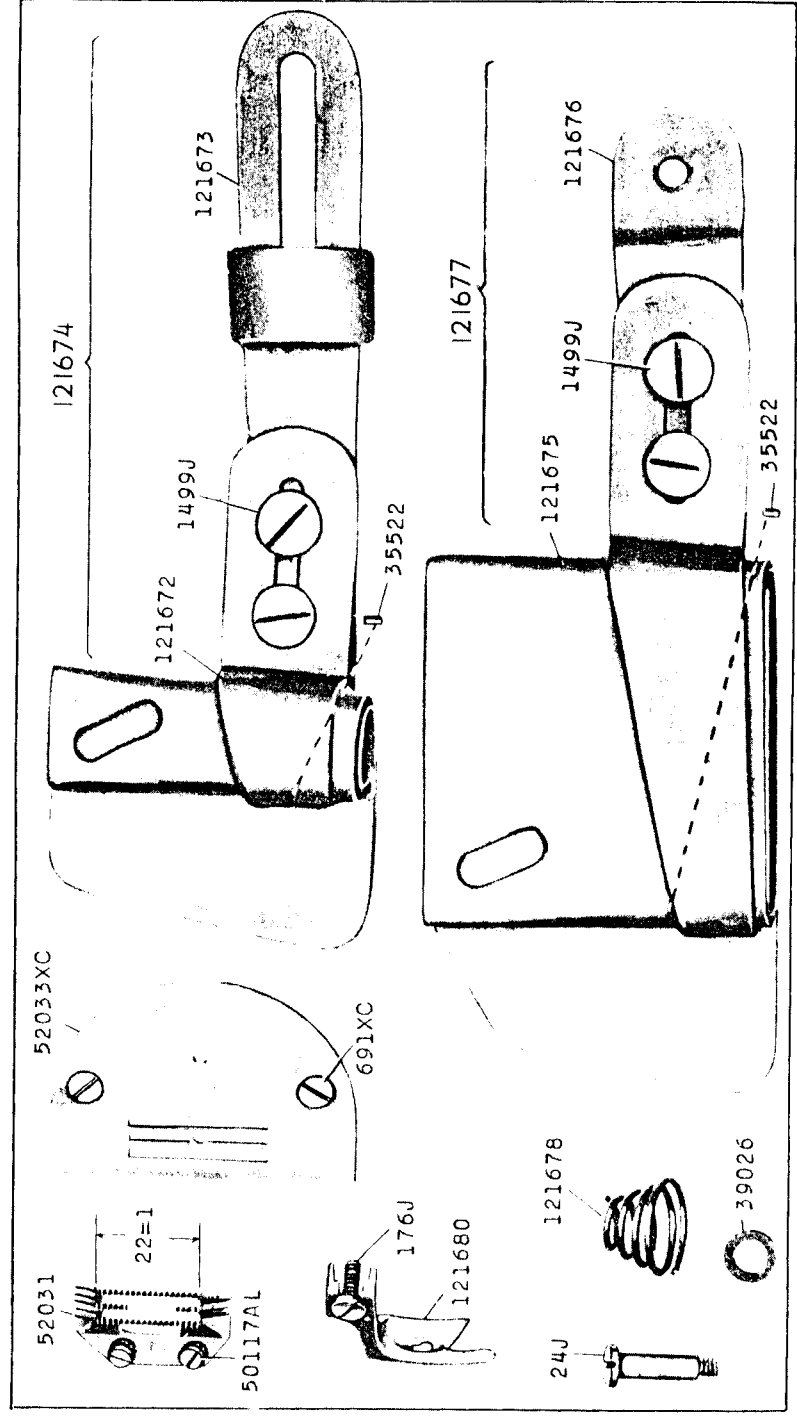
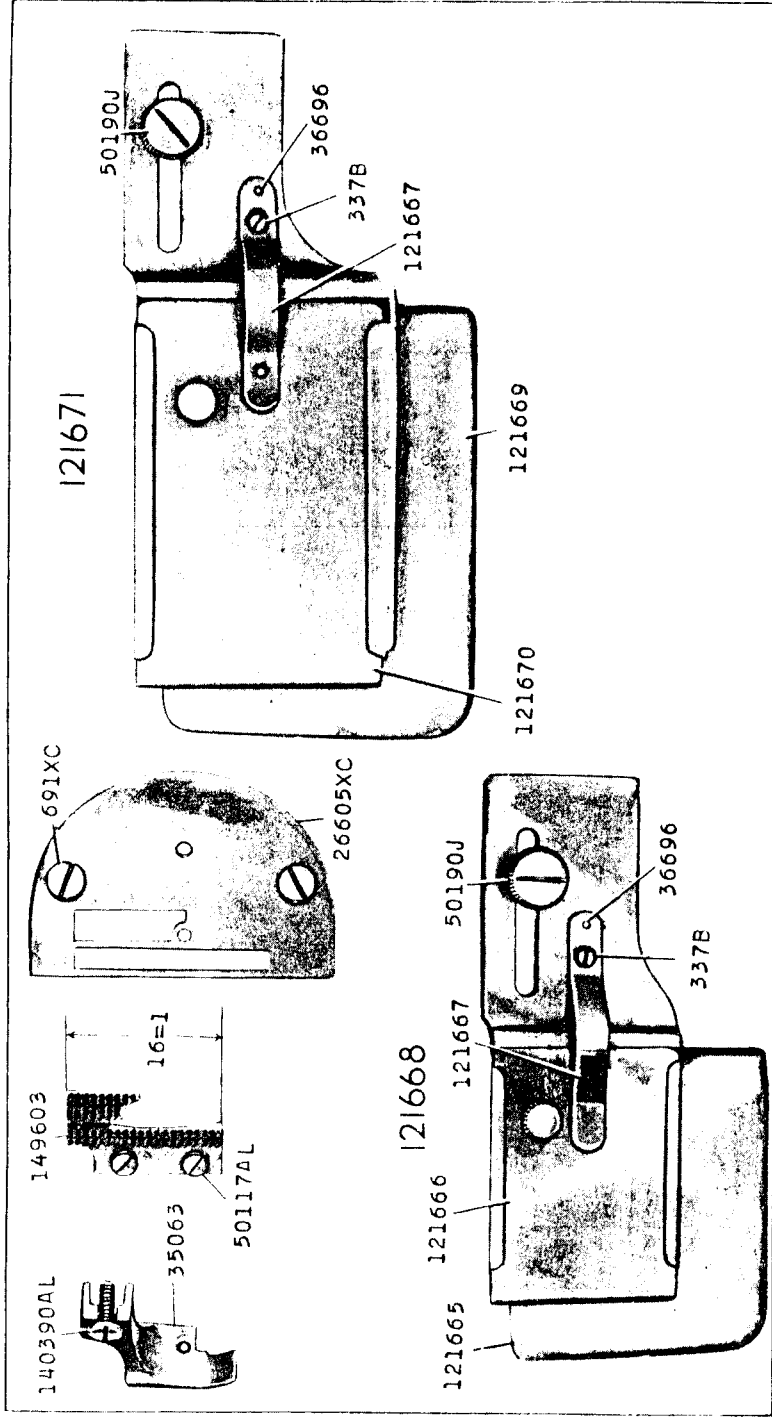
23214 - 2/3

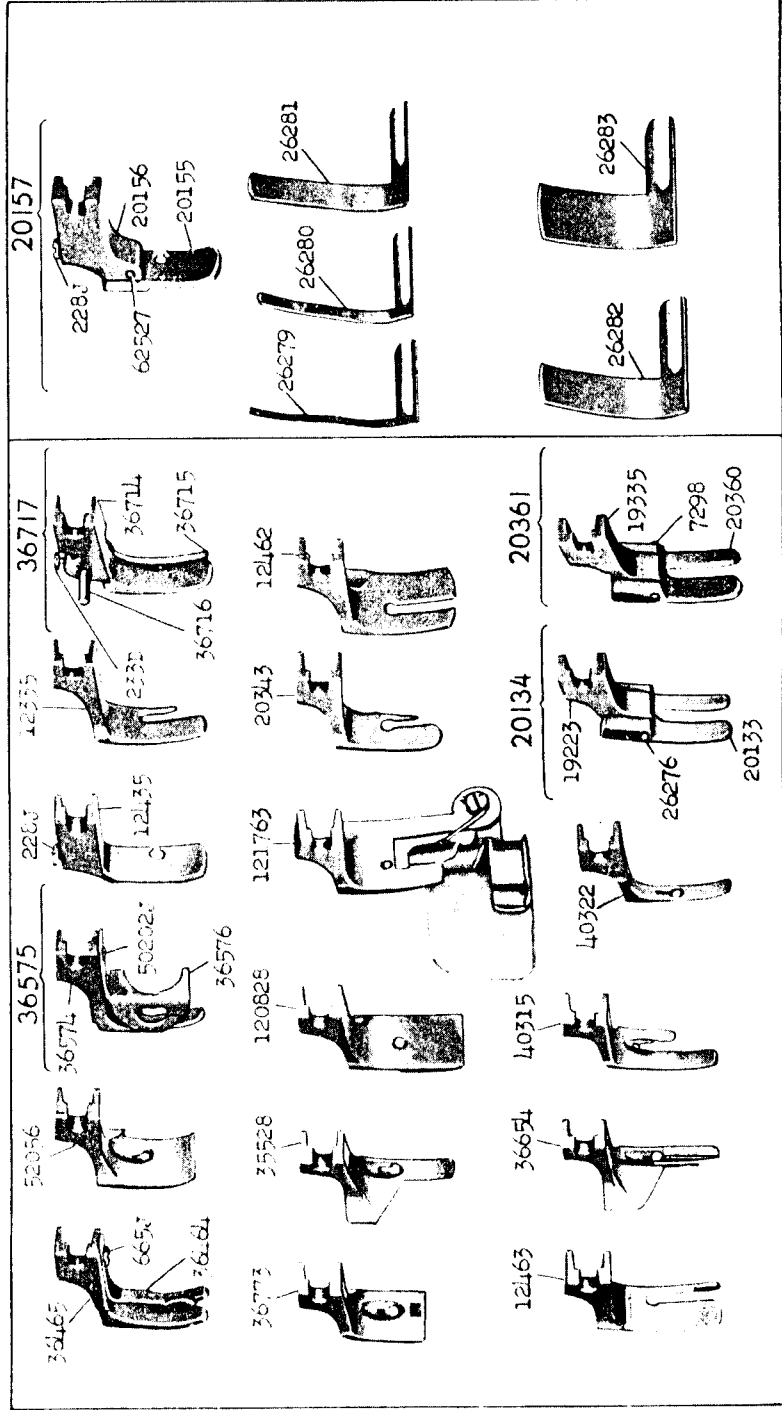
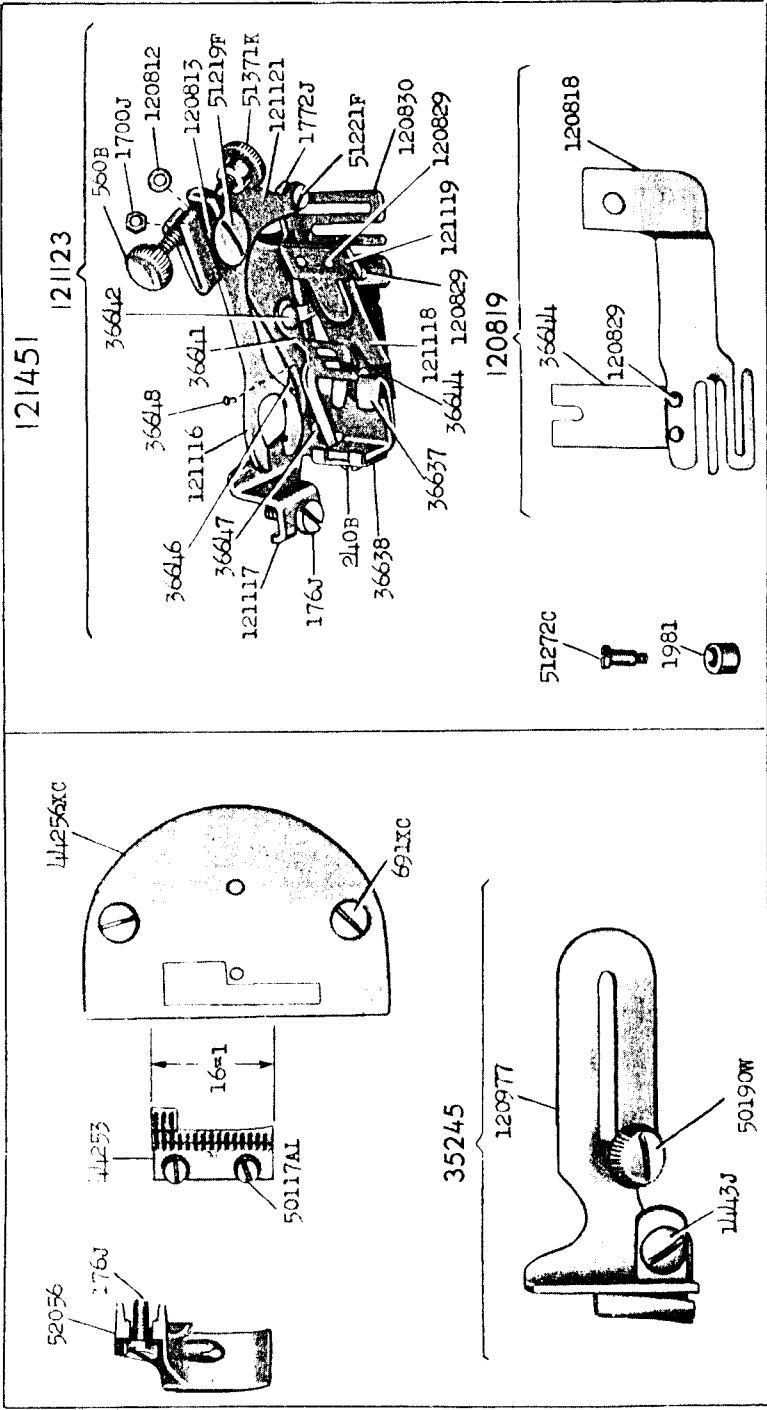




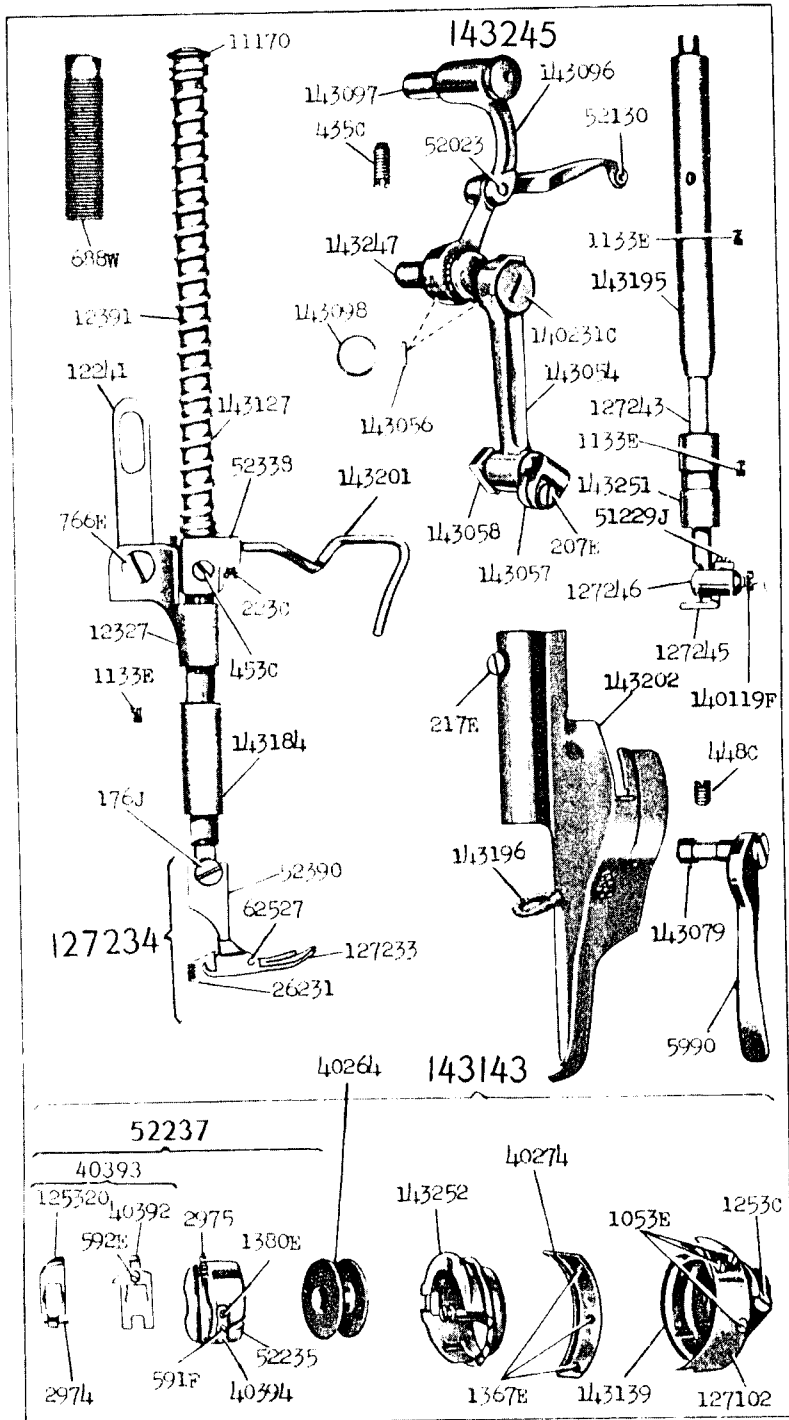






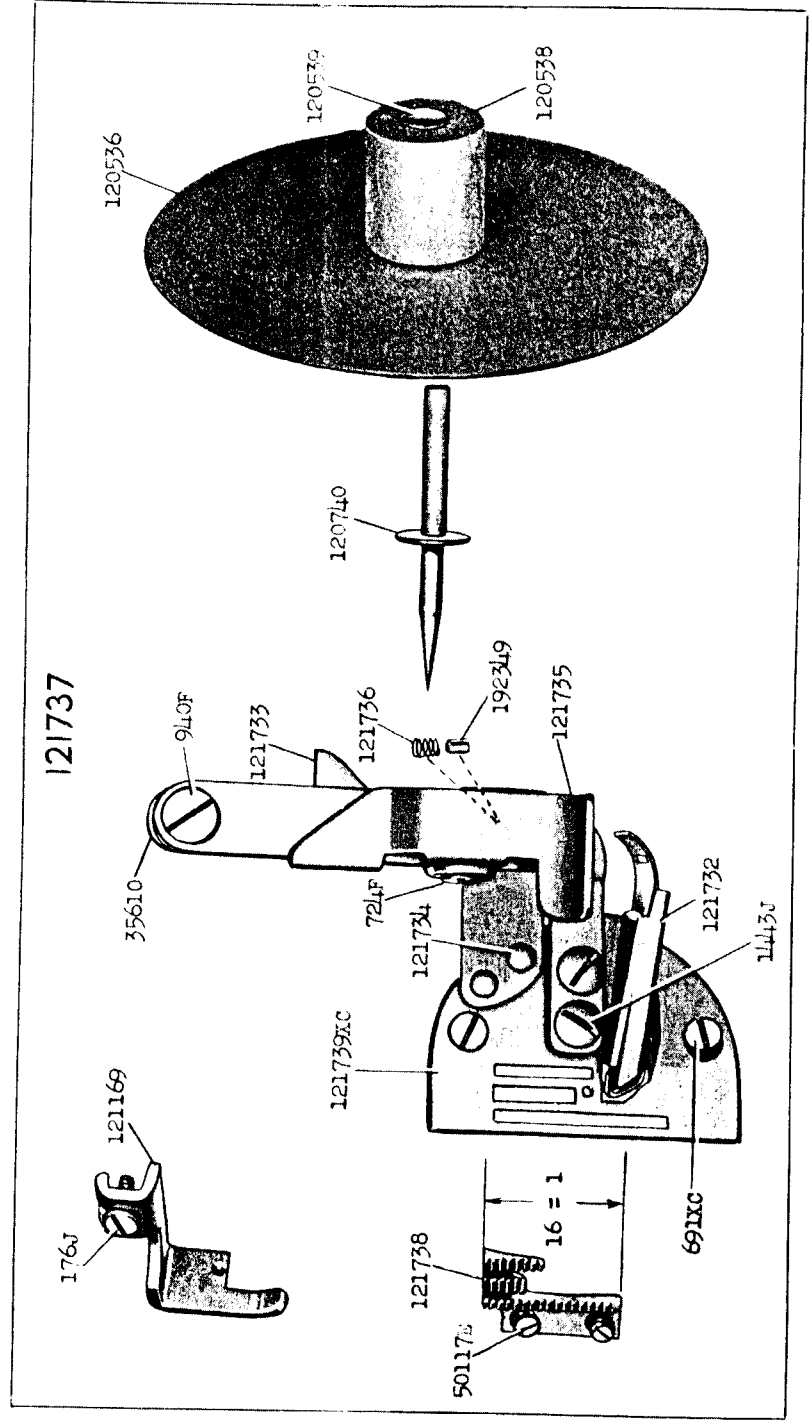
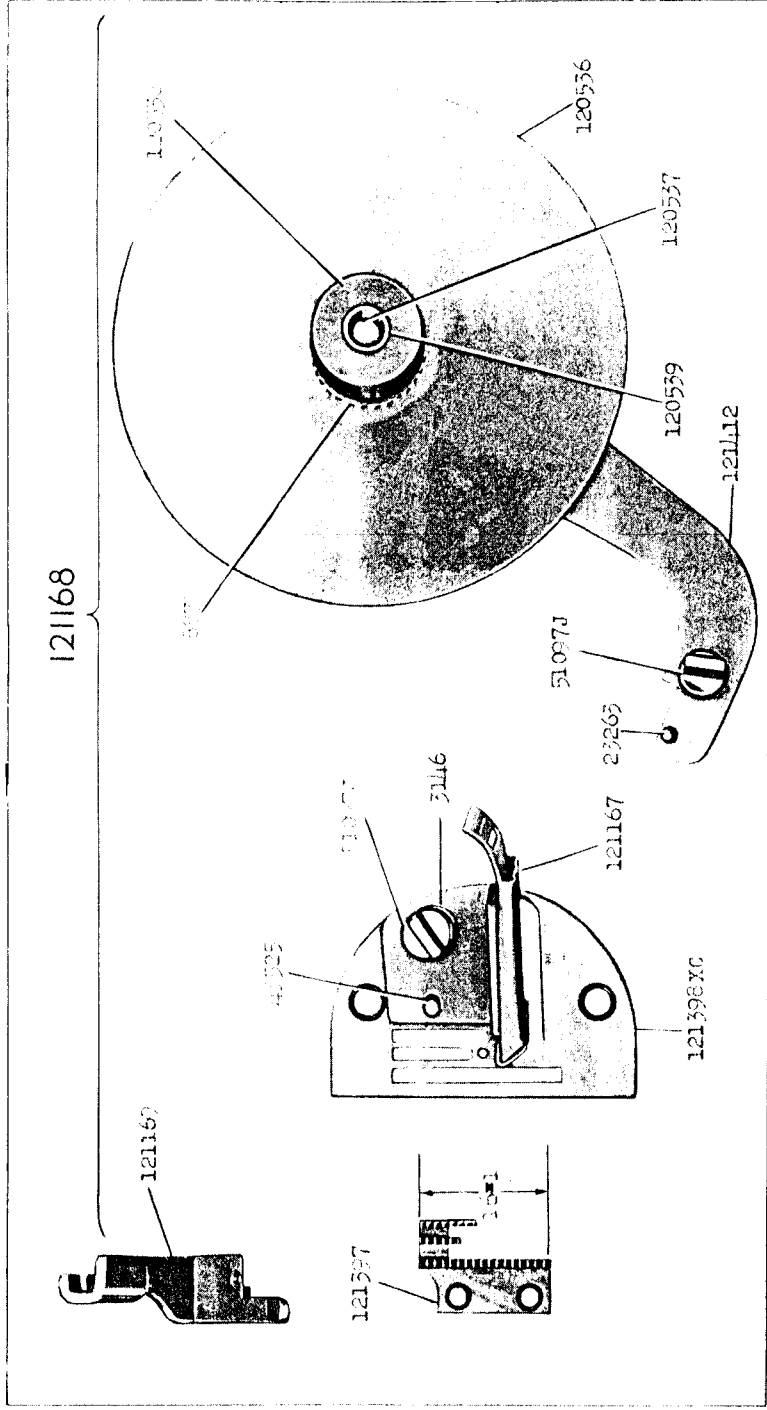


23247 - 1/2

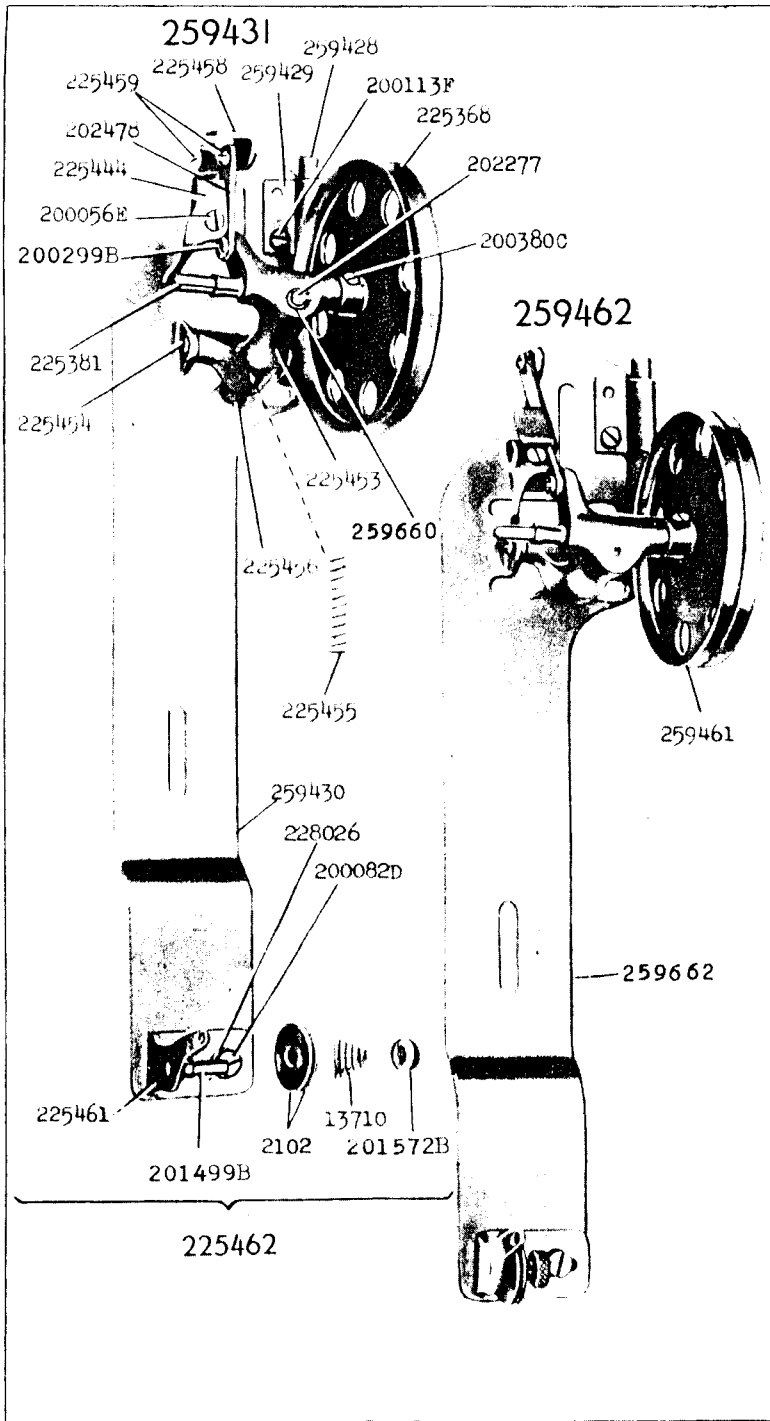


23248 - 1/2

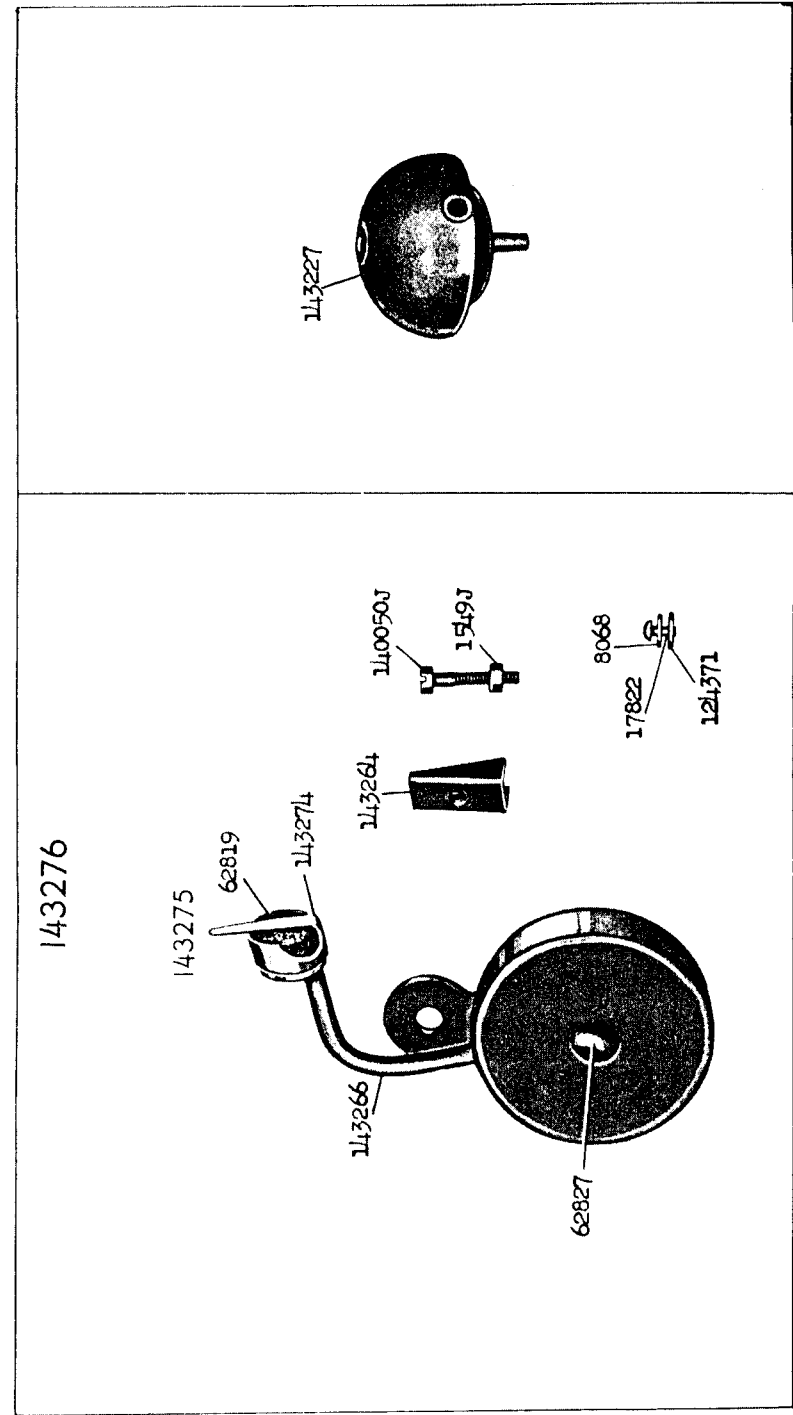




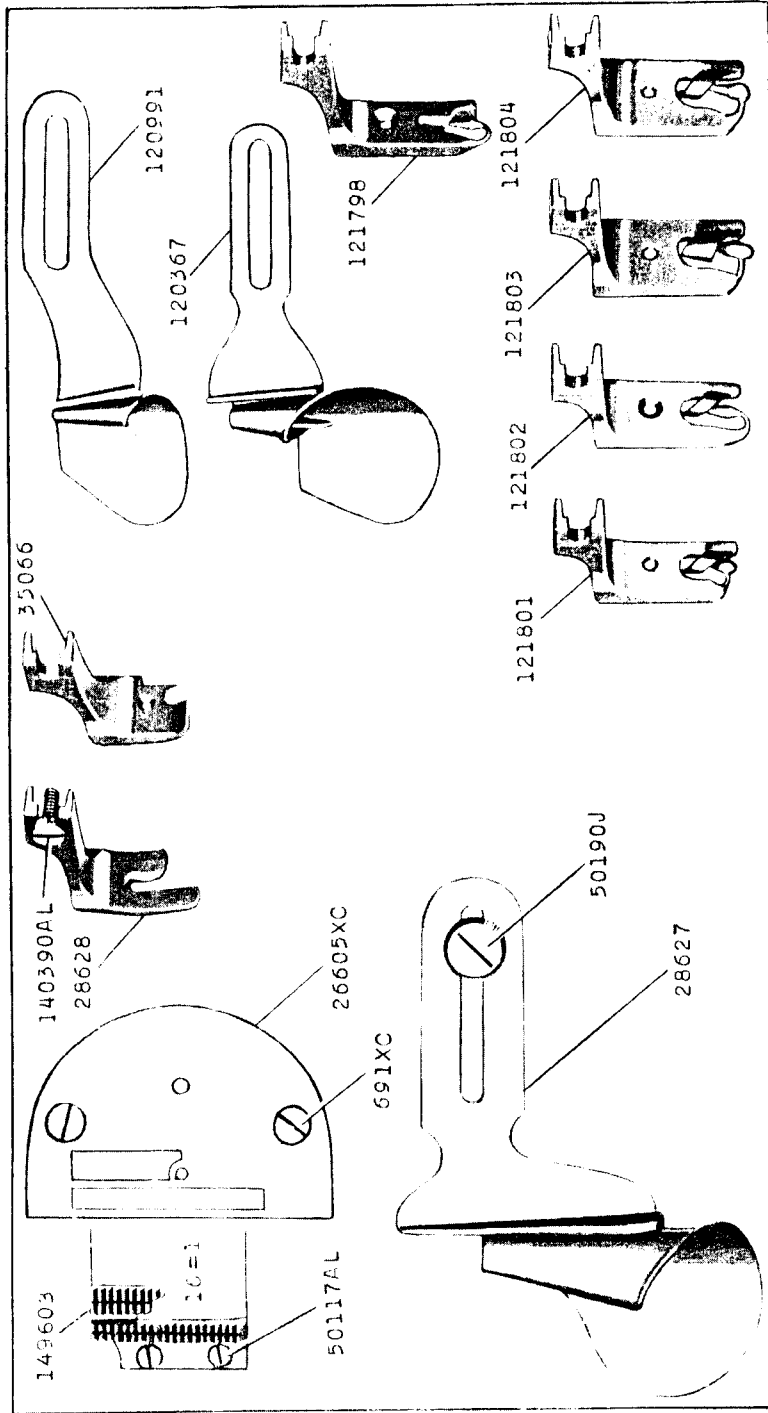
23253 - 3/8



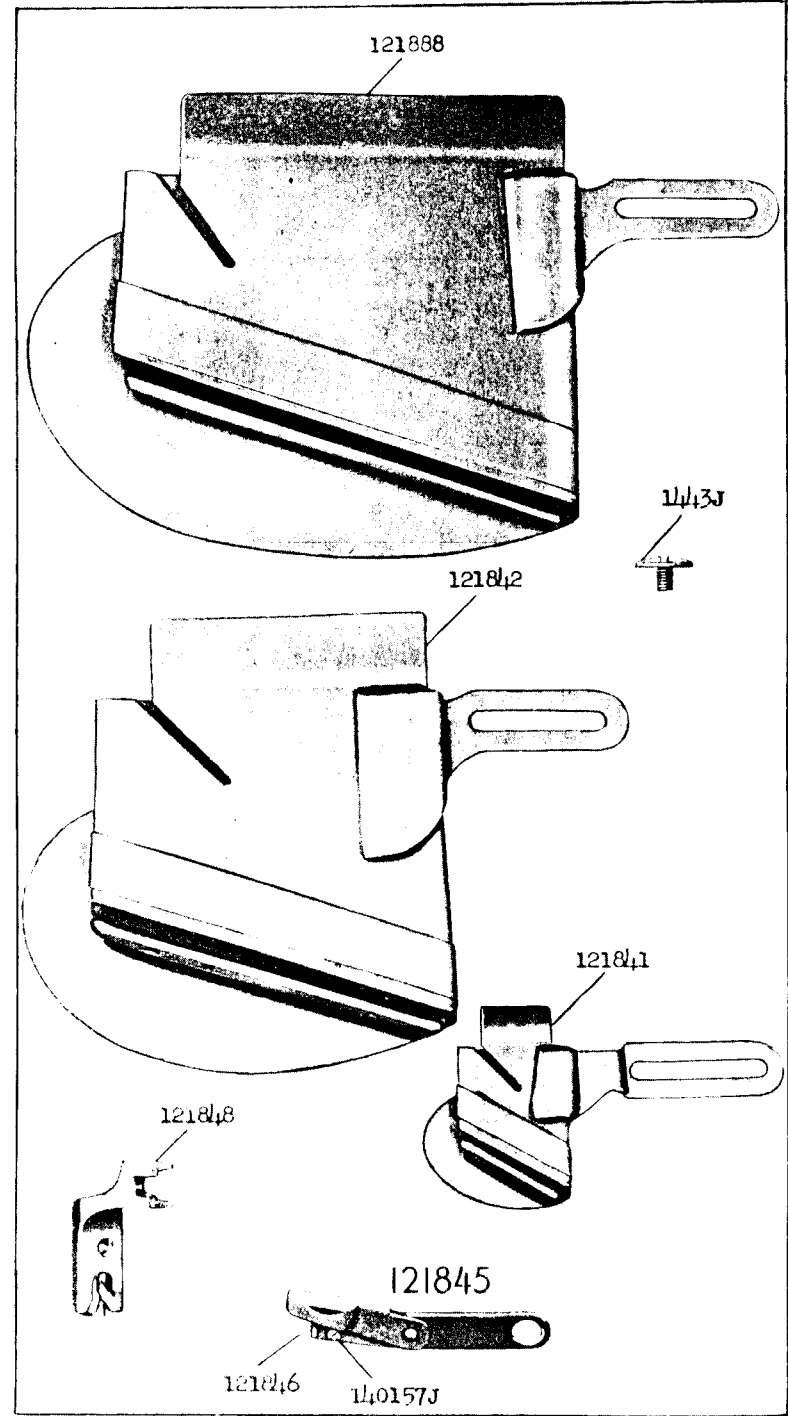
23254 - 2/3



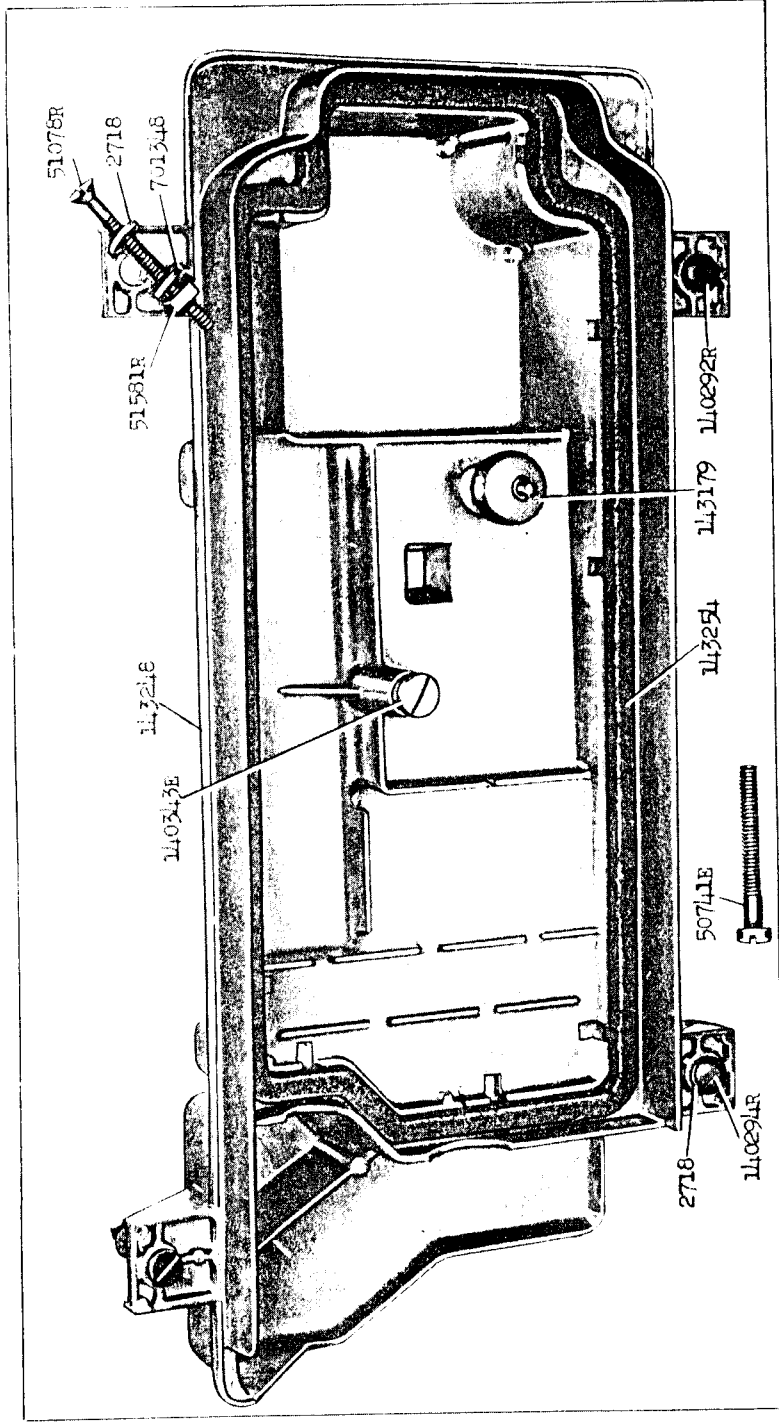
23255 - 2/3



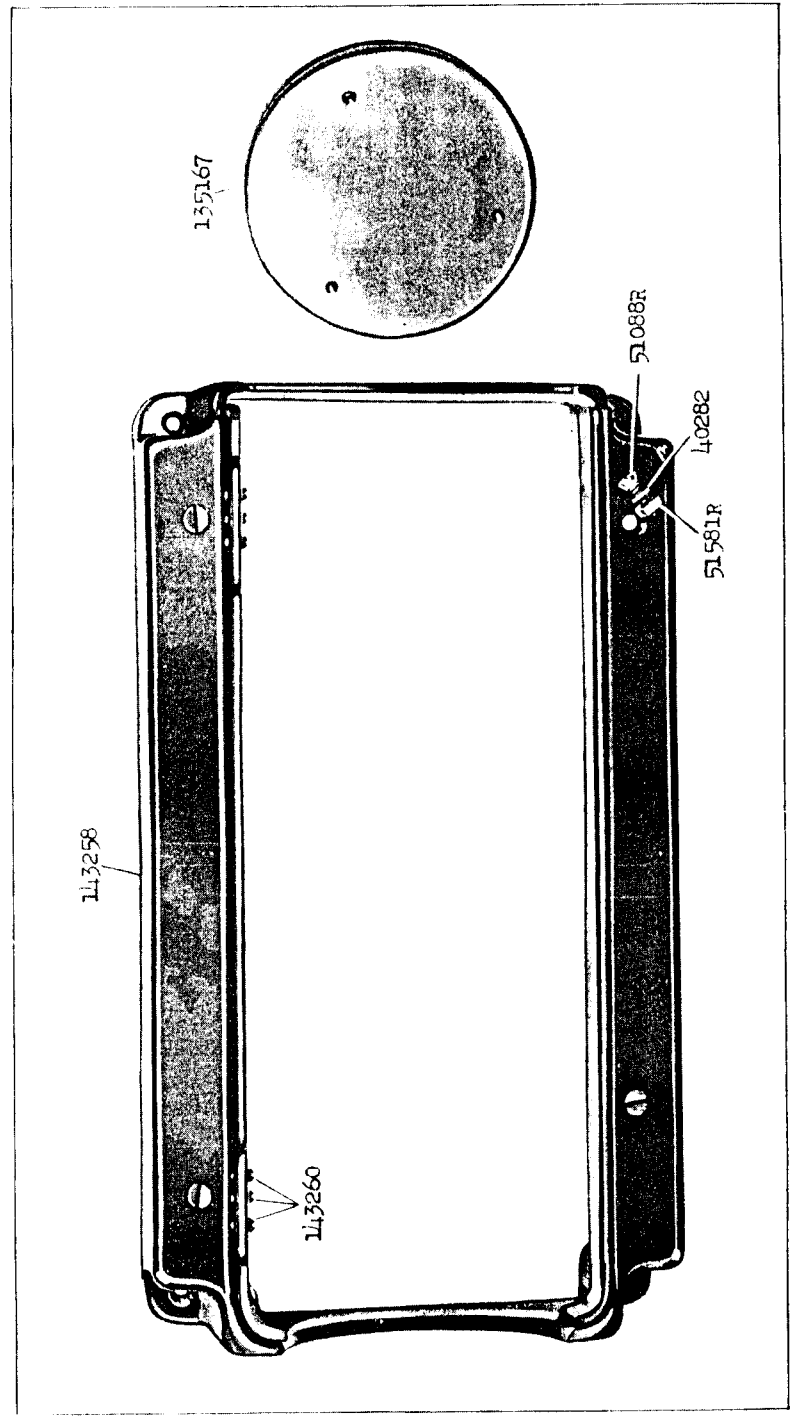
23257 - 2/3

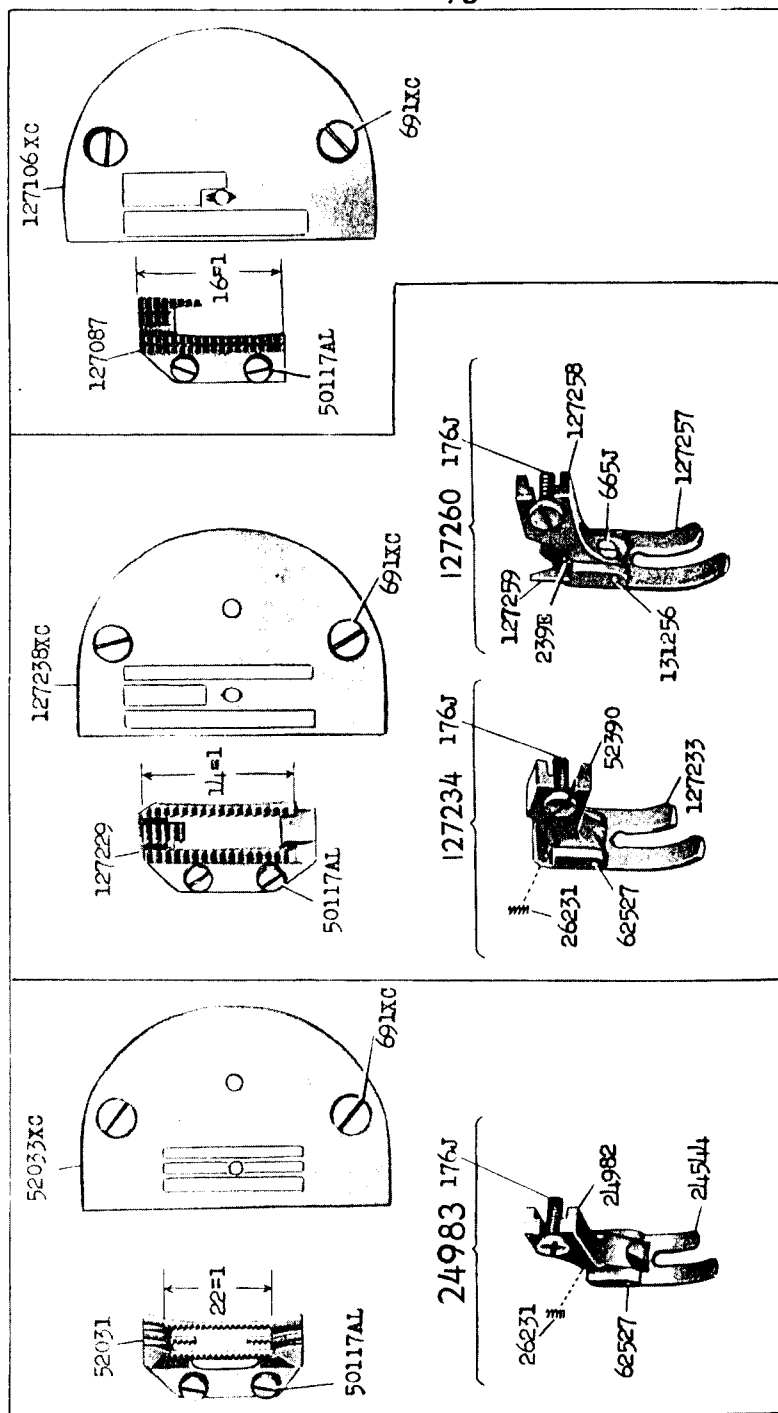
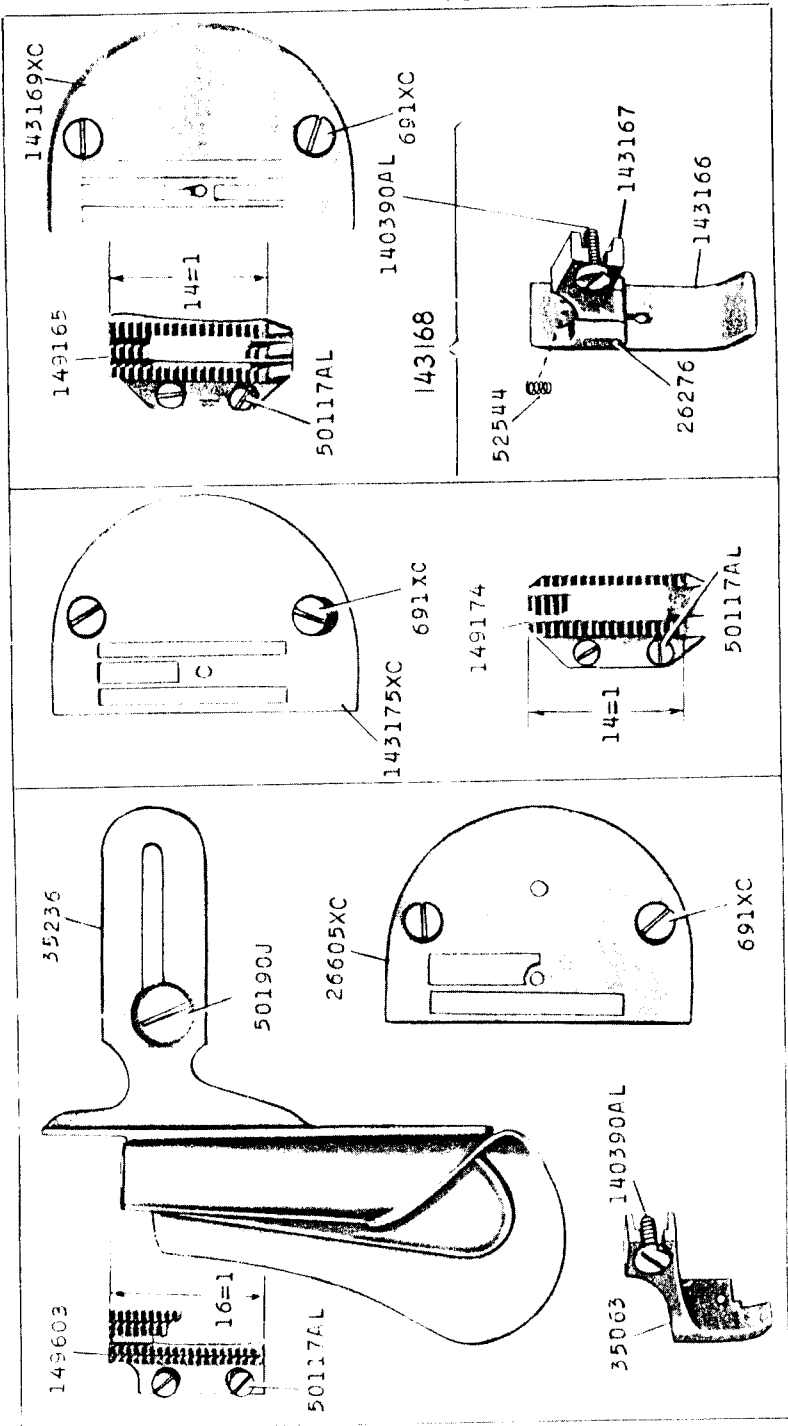


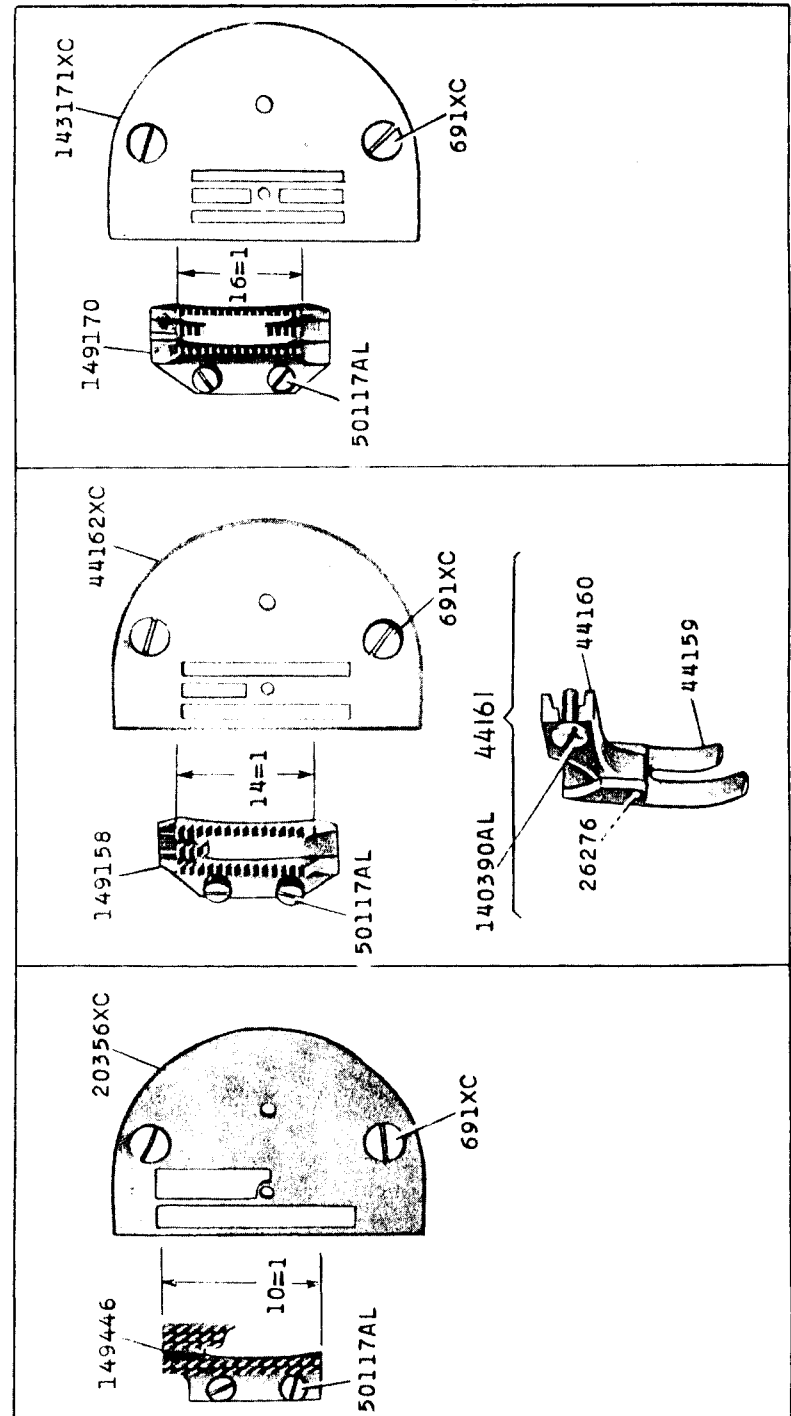
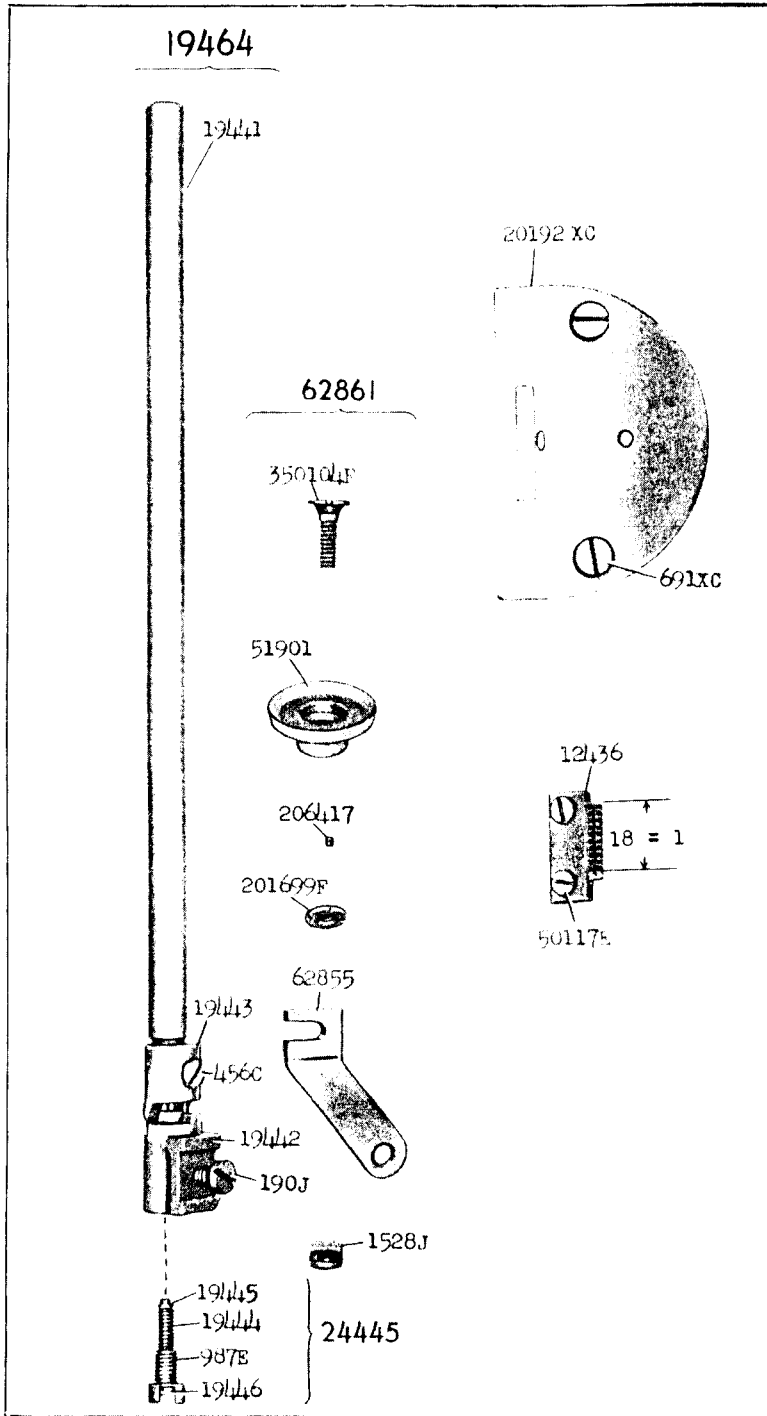
23258 - 1/3



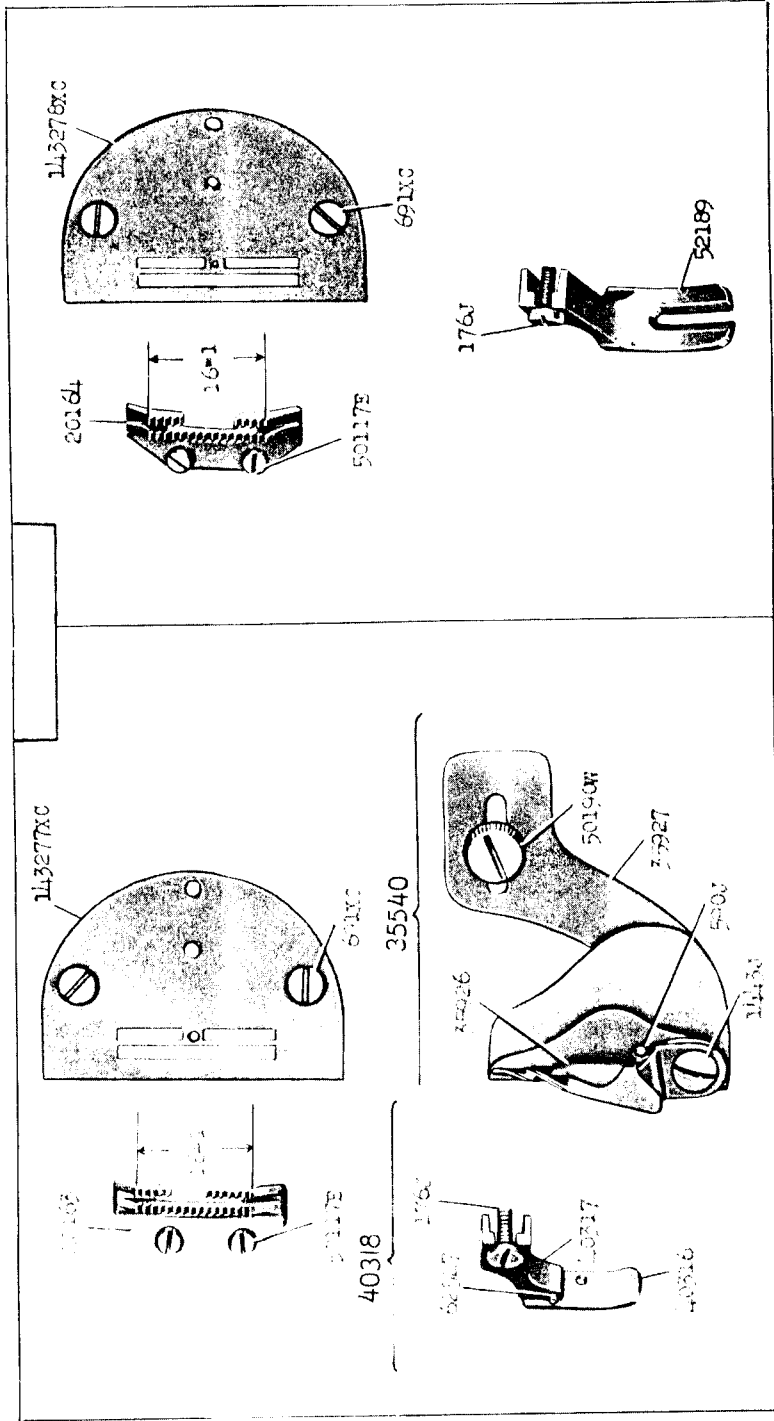
23259 - 1/4



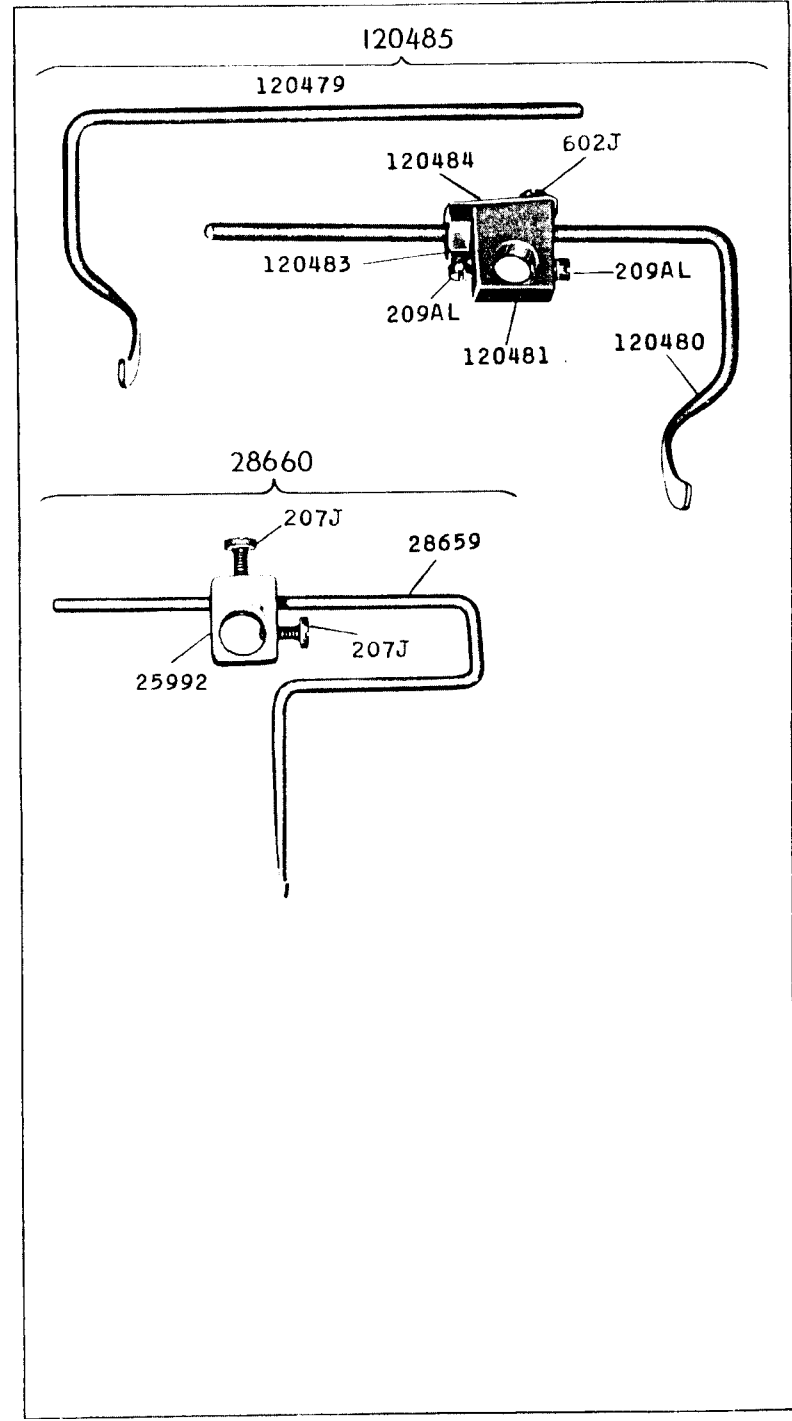




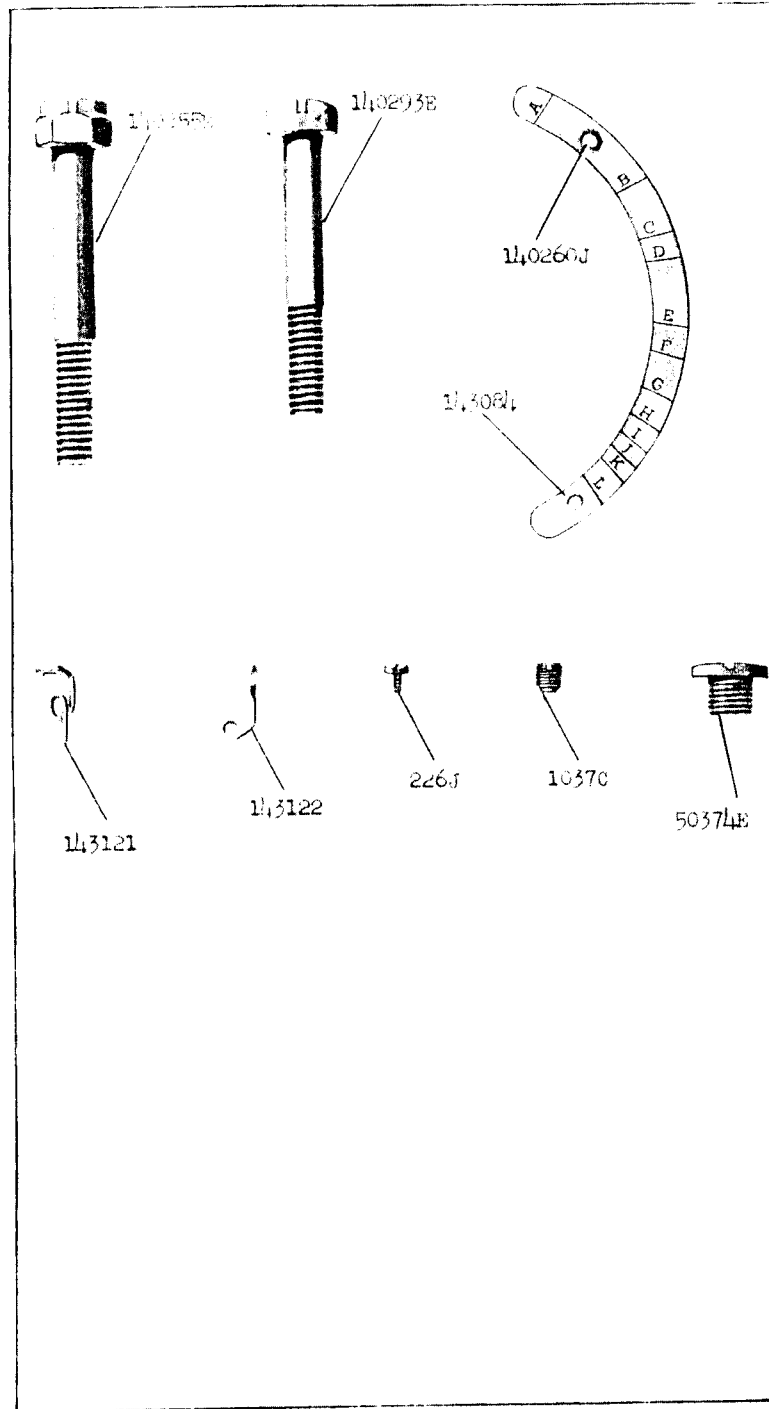
23267 - 2/3



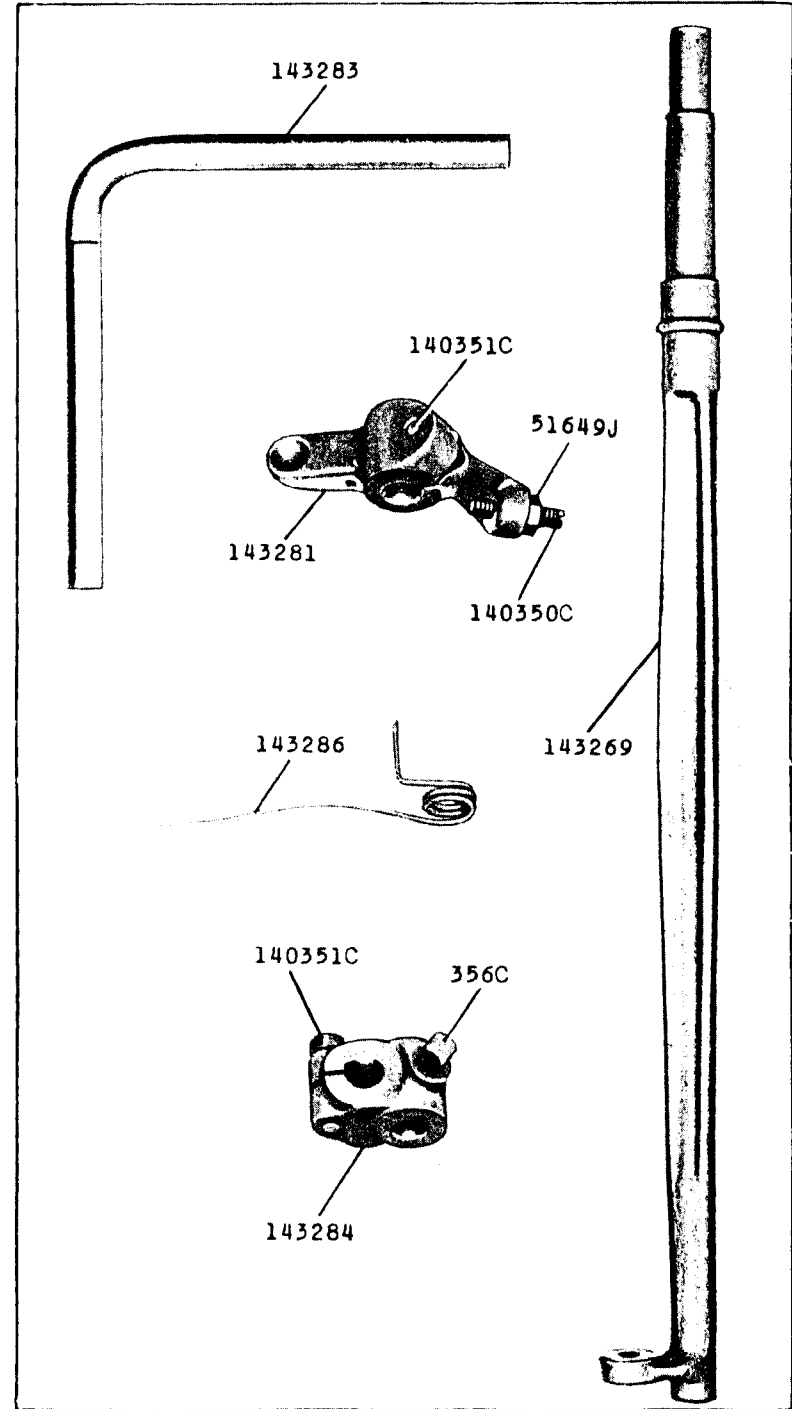
23268-2/3



23269 - 2/3



23270 - 1/2



23271 - 1/3

