

FORM 20854

(1157)

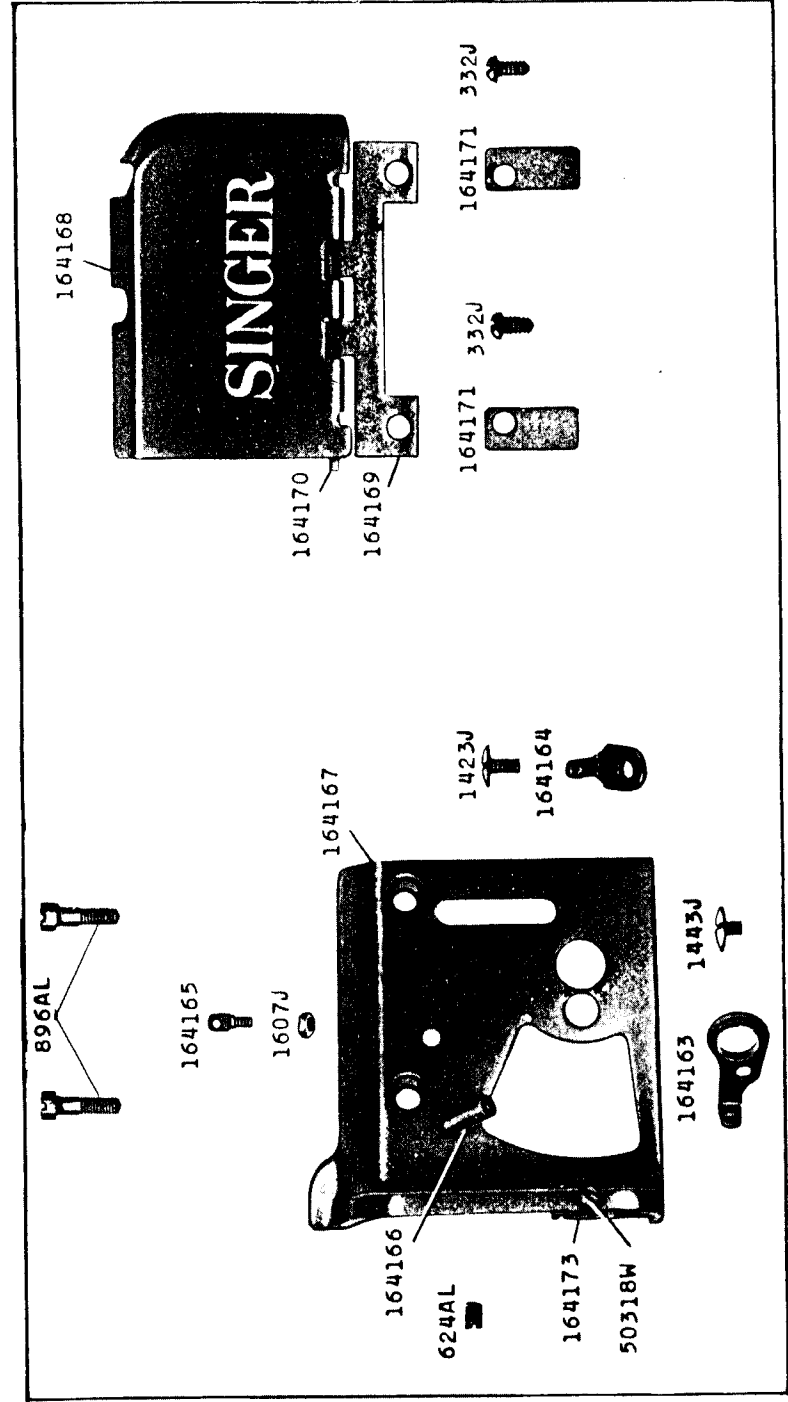
Printed in U.S.A.

SINGER^{*}

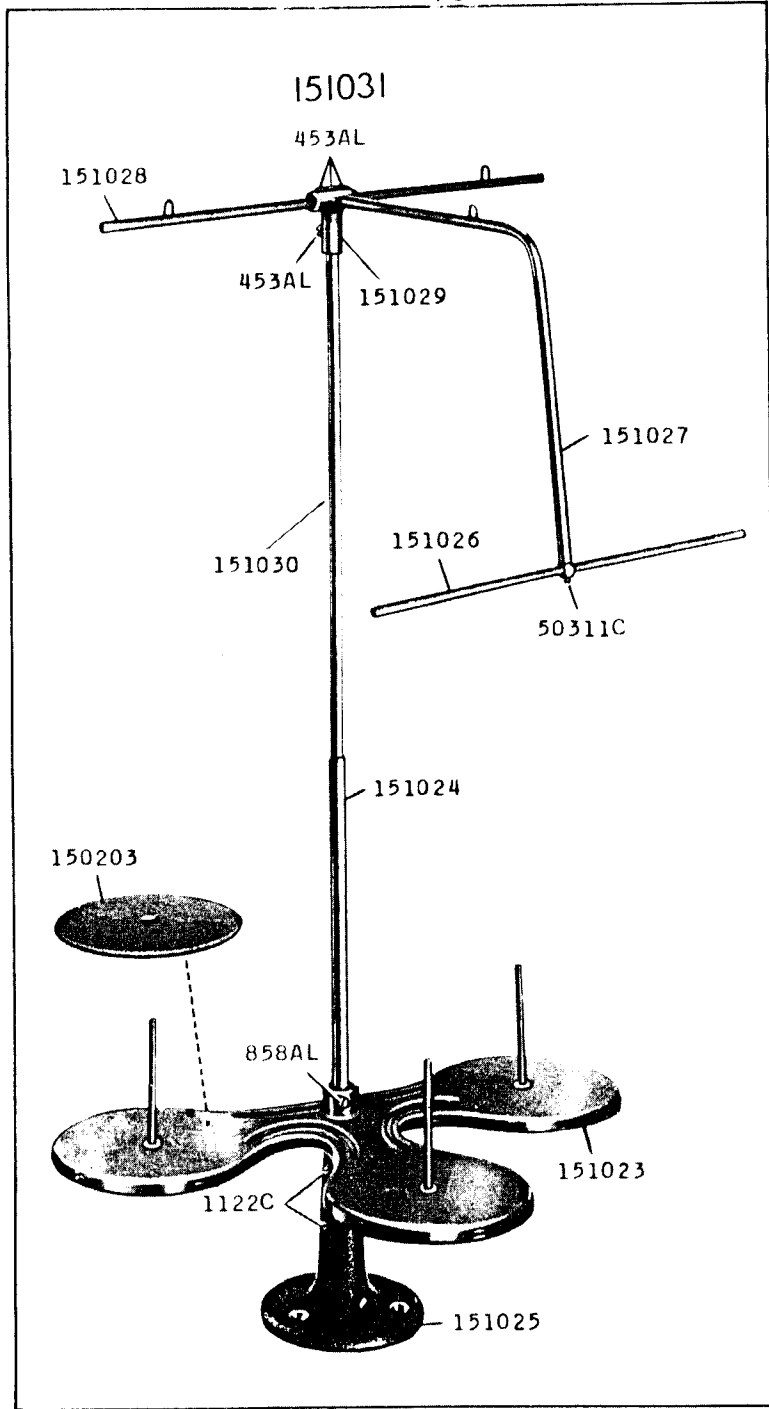
246-15

THE SINGER COMPANY

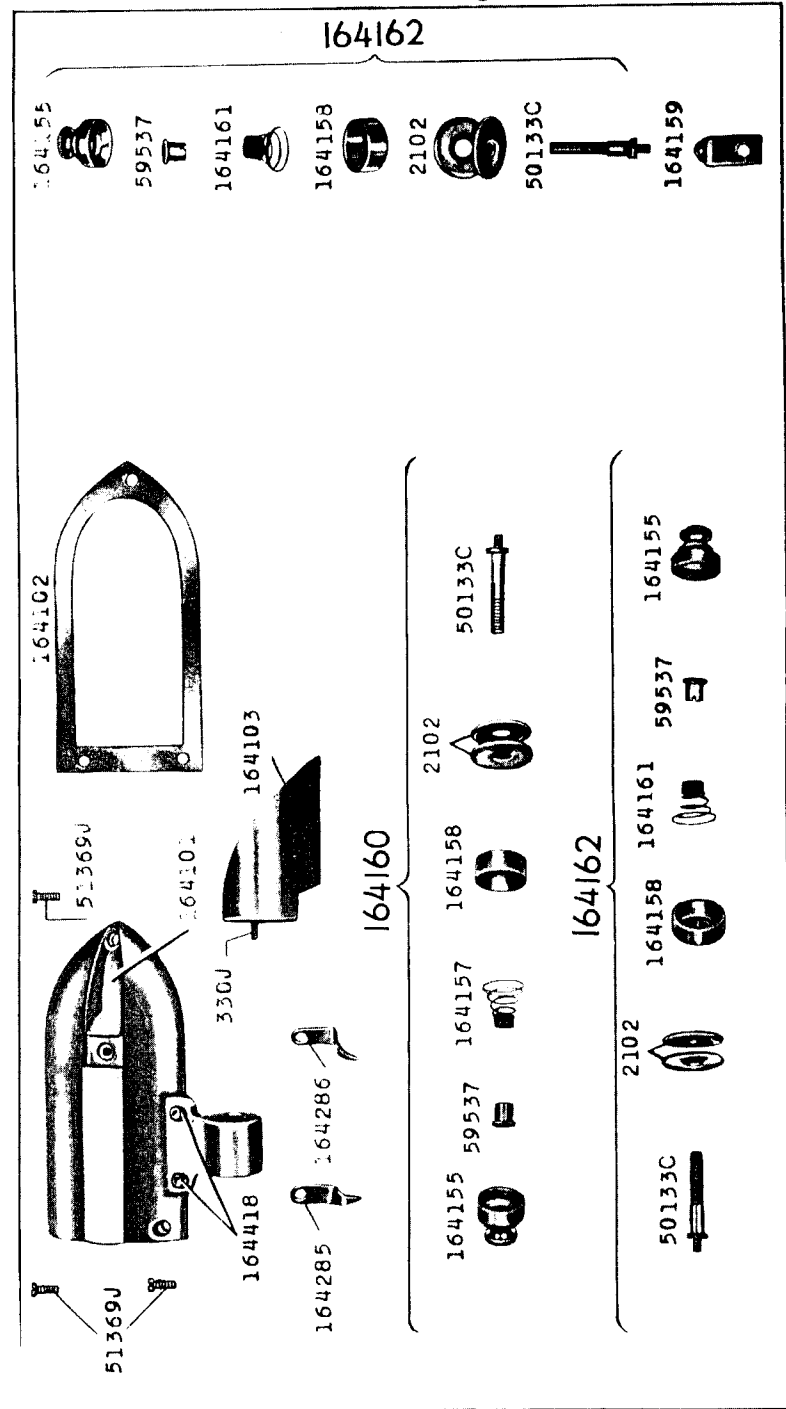
* A Trademark of THE SINGER COMPANY



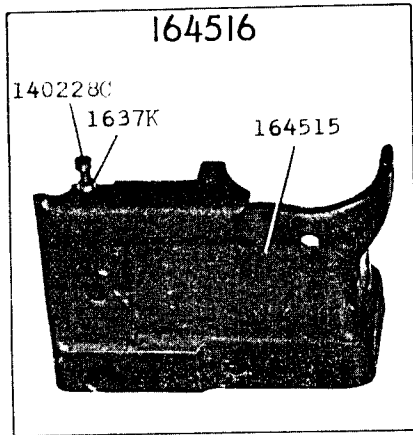
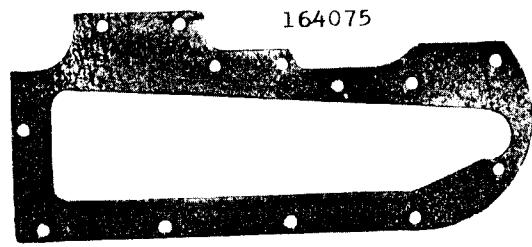
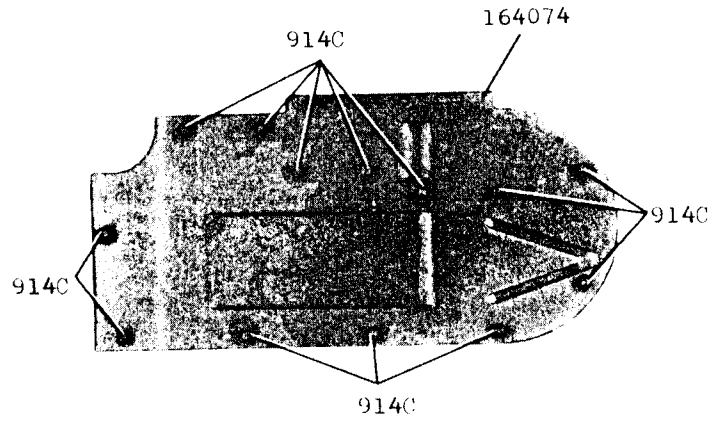
24764 - 1/6



24772 - 1/3



24813-1/3



140228C
1637K

164515

914J

50571J

24829-1/2



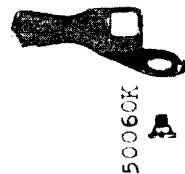
164139

164137 462AL

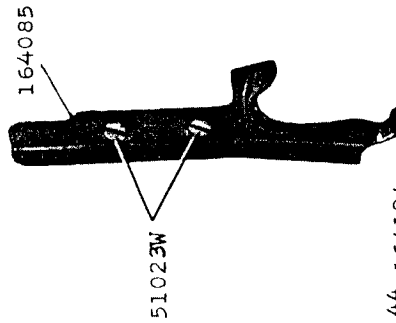
624AL

51846

164142



16413C



51023W

164373

50073J

50073J

164144 164194

164143

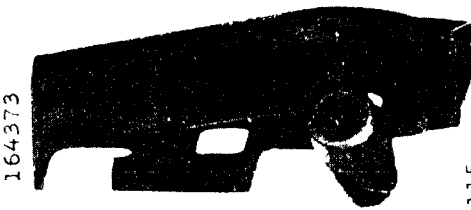


164142

50060K



164085



1259AL

140596AL

164115

164118

51720C

164143

164142

50060K

164110

164111

164117

164109

164112

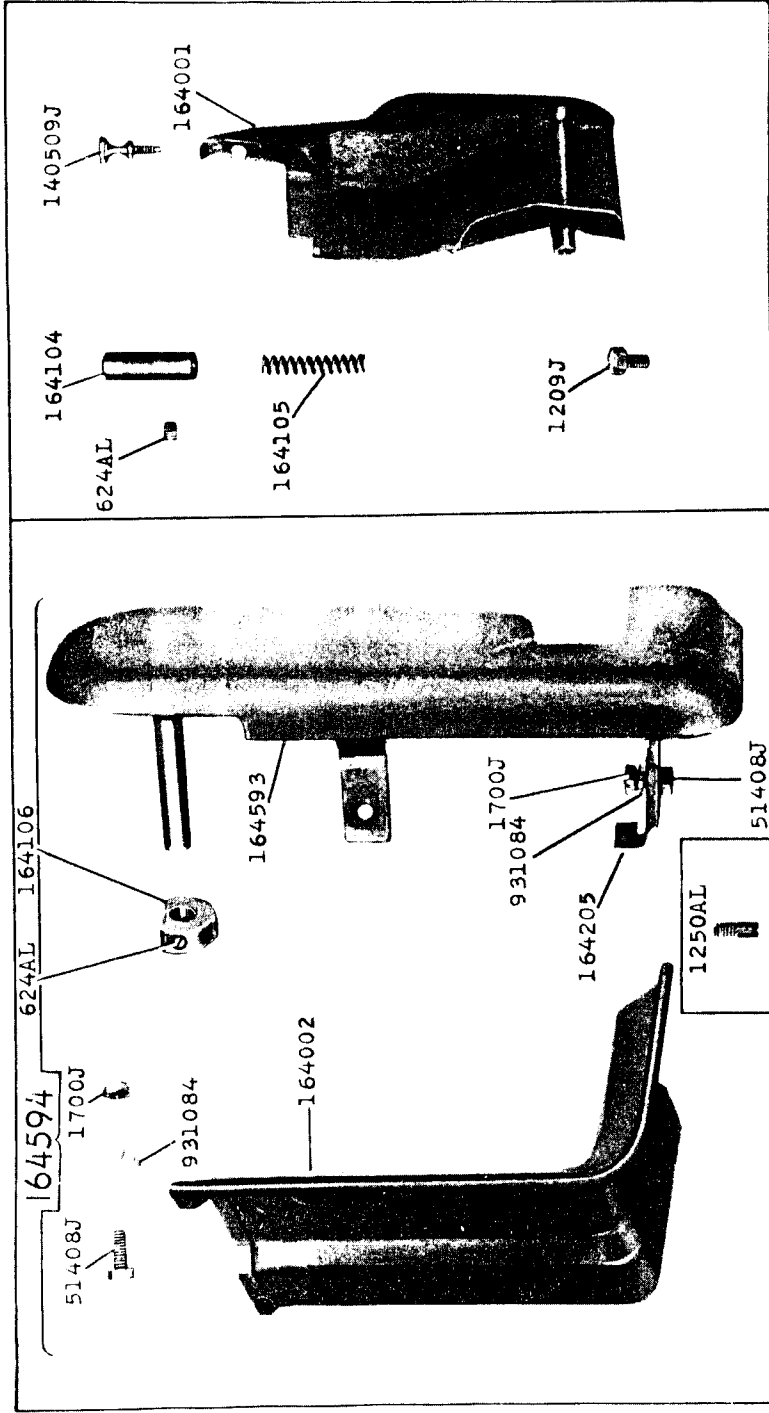
164114

1083C

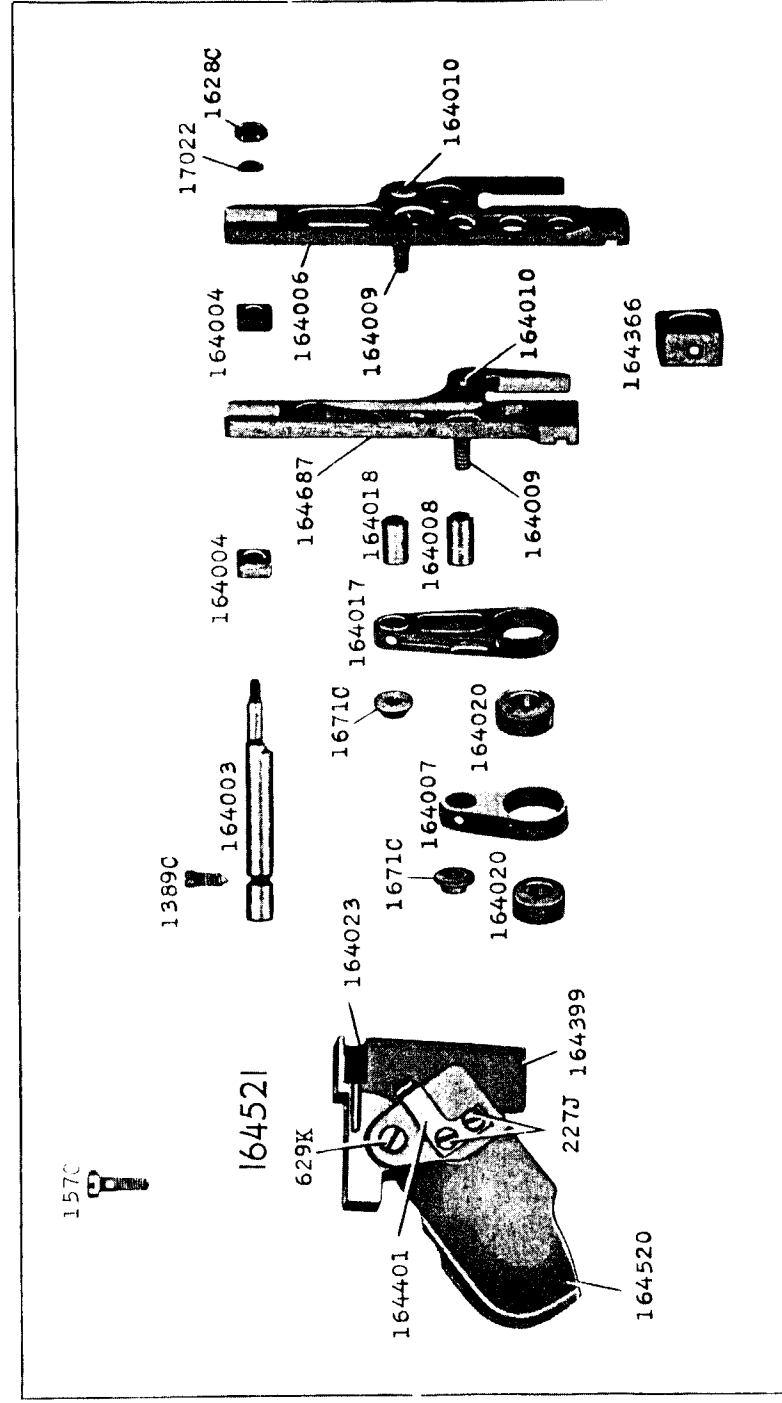
452AL

164113

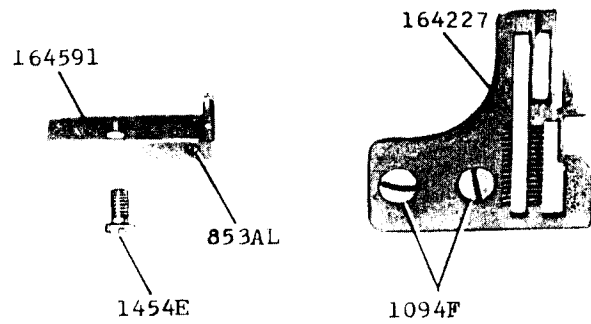
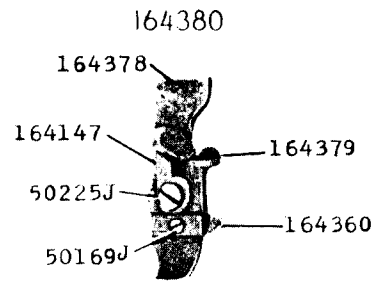
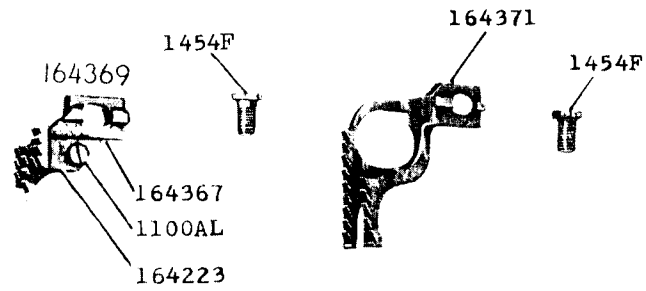
24855-1/2



24856-1/2

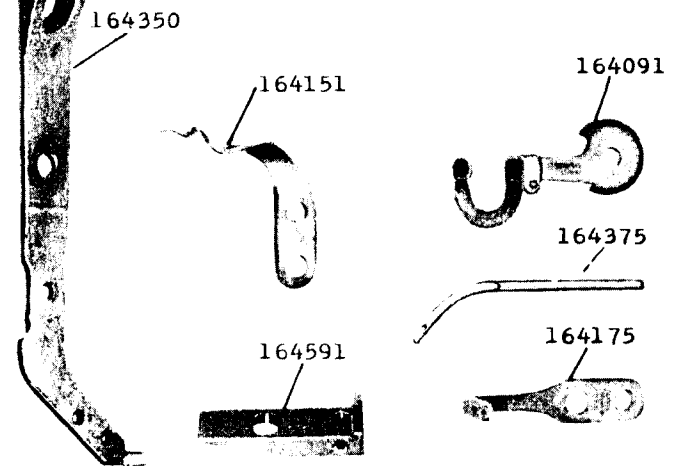
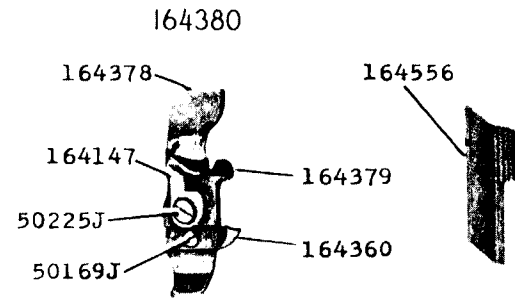
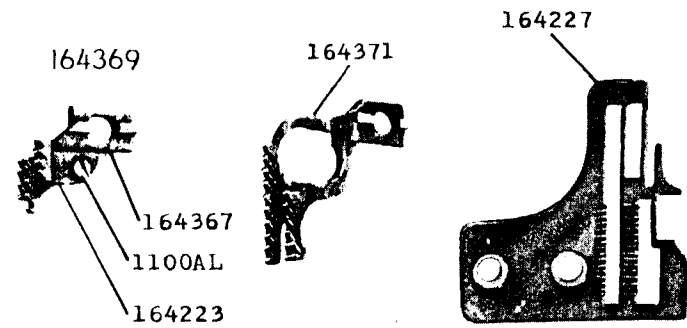


24861-2/3



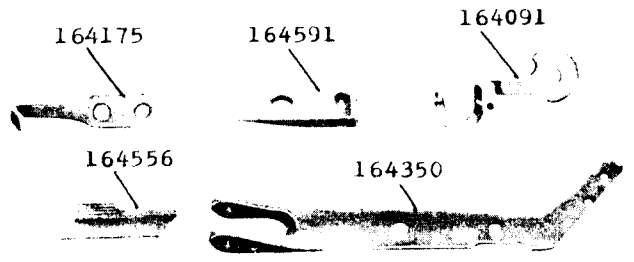
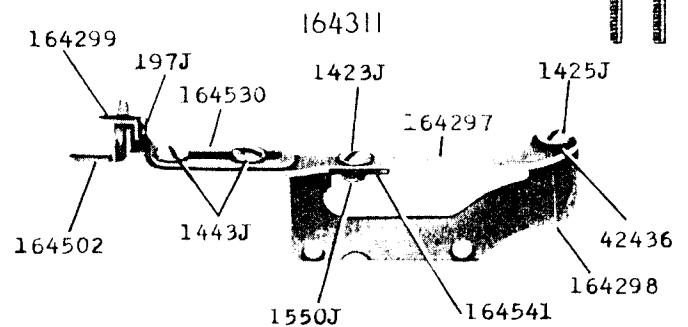
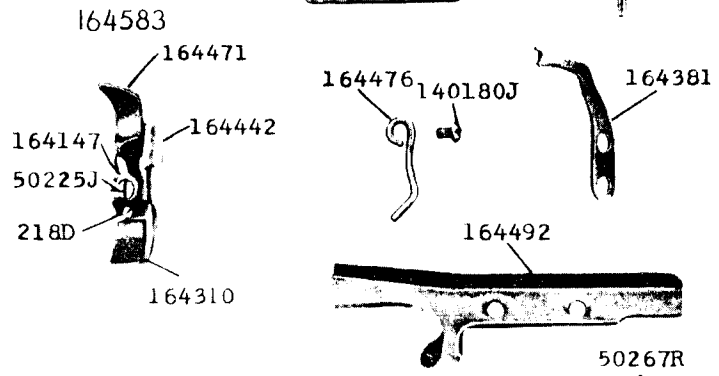
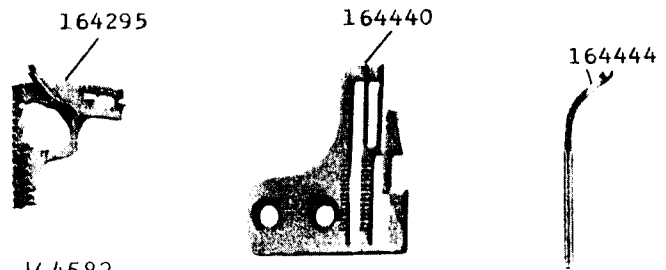
24862-2/3

164391



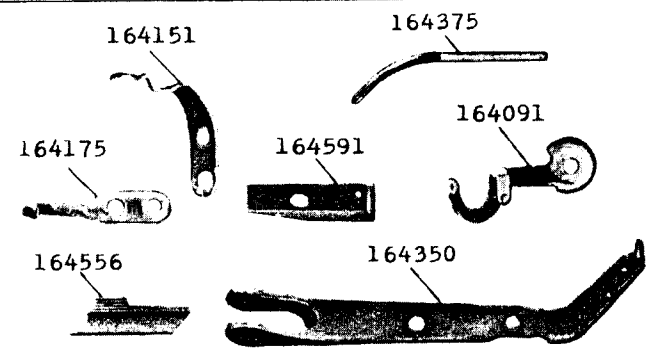
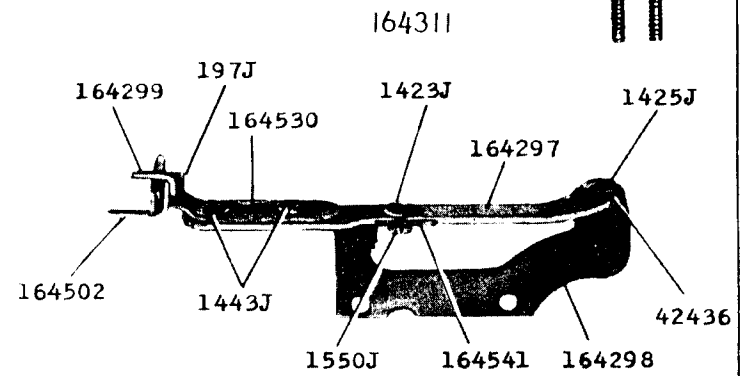
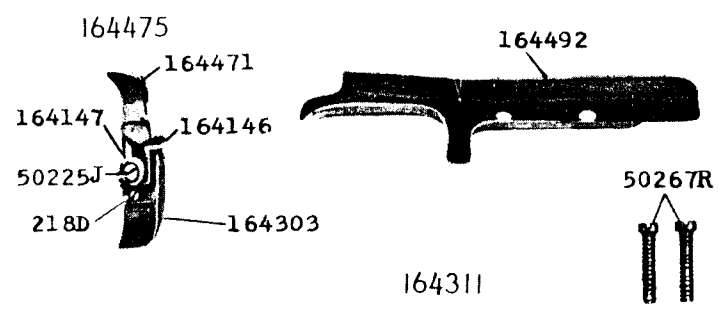
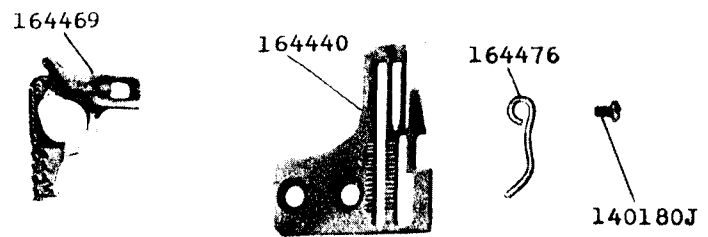
24863-1/2

164445

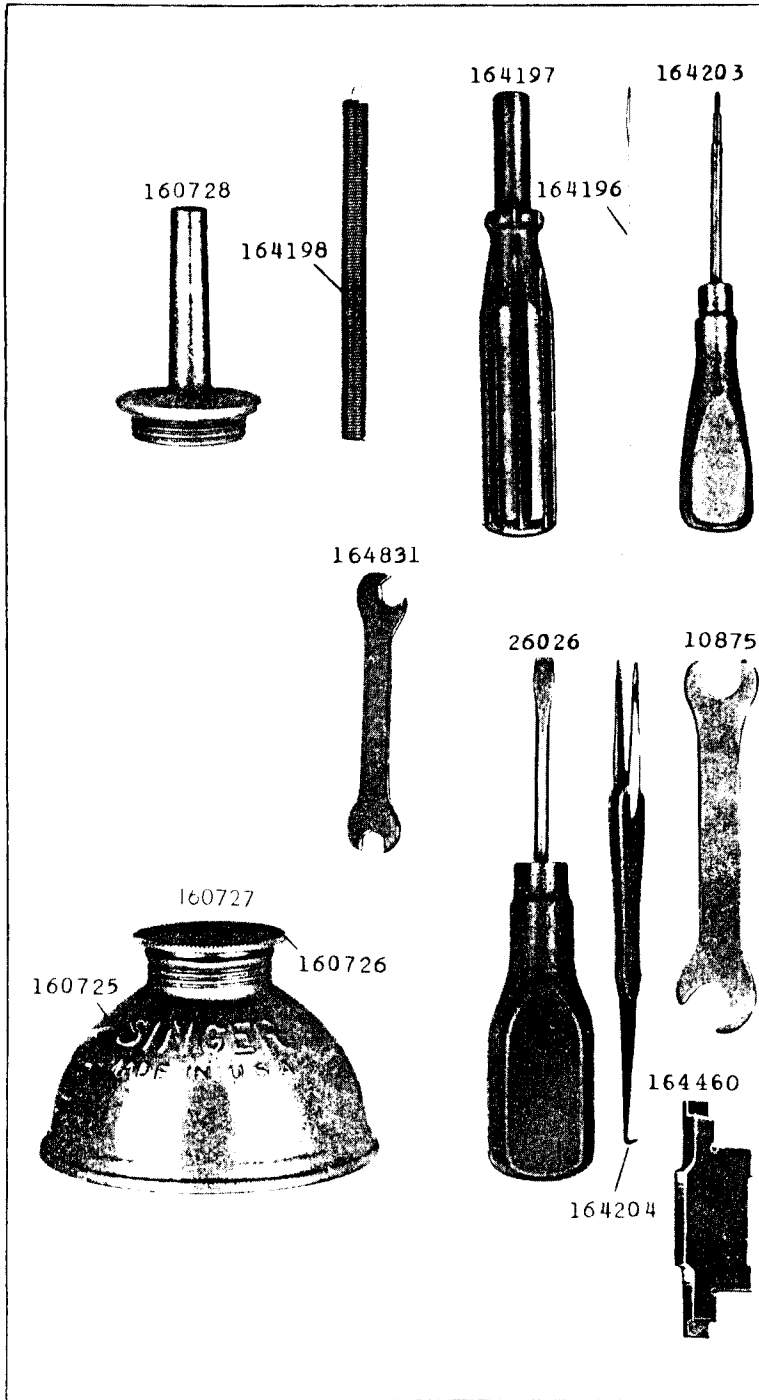


24864-1/2

164542



24865-1/2



24866 - 1/4

