

Form 21140  
(860)  
Printed in U.S.A.

# LIST OF PARTS



# SINGER<sup>\*\*</sup>

MACHINE No. 251-21

THE SINGER MANUFACTURING COMPANY

<sup>\*\*</sup> A Trademark of THE SINGER MANUFACTURING COMPANY

## INSTRUCTIONS FOR OILING

Before starting the machine, fill the oil reservoir in the base to the HIGH MARK with "TYPE A" or "TYPE C" OIL, sold by Singer Sewing Machine Company.

The reservoir holds approximately 1½ pints.

When in operation, the oil level in the reservoir should be inspected at least twice a month or as often as is necessary to keep it from going below the LOW MARK in the reservoir. Refill to HIGH MARK with "TYPE A" OIL.

"TYPE C" OIL is to be used, when an oil is desired which will produce a minimum of stain, even after a long period of storage.

## INDEX

	Page
Accessories .....	18
Bobbin Winders .....	18
Knee Lifter .....	20
Machine No. 251-21 .....	7
Machine Base and Oil Reservoir .....	21
Numerical List of Parts .....	23
Thread Unwinder .....	21

## INSTRUCTIONS FOR ORDERING

In ordering from this list, use ONLY the part NUMBER in the FIRST column.

The number stamped on a Sewing Machine Part is in every case the number of the single part only.

Every combination of parts sent out as such has its specific number, which, although not stamped on the parts, must be used when ordering the combination.

Each number always indicates the SAME PART in whatever list it appears, or for whatever machine.

The letters after some of the numbers indicate the style of finish only, as follows:

NEW CODE	OLD CODE	
801	A	Hardened, Polished, Nickel Plated and Buffed
802	B	Polished, Nickel Plated and Buffed
803	C	Hardened Only
804	D	Polished Only
805	E	Soft, Not Polished
806	F	Hardened and Polished
807	G	Bright Rumbled and Nickel Plated
808	H	Blued
809	J	Nickel Plated Only
810	K	Hardened and Nickel Plated
811	L	Brass Plated
812	M	Oxidized
813	R	Phosphate Coating Formed on Surface of Iron or Steel.
814	S	Cadmium Plated
815	T	Copper Plated
816	U	Zinc Plated
817	V	Silver Plated
818	W	Polished and Nickel Plated
819	X	Black Oxide, for Iron and Steel
820	Y	Black Nickel Plated Only
821	Z	Chromium Plated
822	A.A.	Buffed and Chromium Plated
823	A.B.	Hardened, Polished, Buffed and Chromium Plated
824	A.E.	Hardened, Bright Rumbled and Nickel Plated
825	A.F.	Hardened, Bright Rumbled, Nickel Plated, Bright Rumbled and Chromium Plated
826	A.G.	Alumilite, Plain
827	A.H.	Alumilite, Dyed. Color must be stated.
828	A.J.	Polished Nickel Plated and Chromium Plated.
829	A.K.	Hardened, Polished, Nickel Plated and Chromium Plated.
830	A.L.	Heat Treated for Toughness.
831	A.L.D.	Heat Treated for Toughness and Polished.
832	A.L.J.	Heat Treated for Toughness and Nickel Plated
833	A.L.X.	Heat Treated for Toughness and Black Oxide.

## INSTRUCTIONS FOR ORDERING

NEW CODE	OLD CODE	
834	A.L.Z.B.	Heat Treated for Toughness, Polished, Nickel Plated, Buffed and Chromium Plated.
835	A.S.	Black Moulded Phenolic
836	A.T.	Beige Moulded Phenolic
837	A.U.	Brown Moulded Phenolic
838		
839	B.A.	Chrome Nickel, Satin Finish
840	B.B.	Hardened and Chrome Nickel, Satin Finish
841	C.R.	Hardened and Phosphate Coating Formed on Surface of Iron or Steel
842	C.U.	Hardened and Zinc Plated
843	F.J.	Hardened, Polished and Nickel Plated
844	T.A.	Hardened, Polished, Copper and Nickel Plated and Buffed
845	T.B.	Copper and Nickel Plated and Polished
846	T.J.	Copper and Nickel Plated Only
847	T.K.	Hardened, Copper and Nickel Plated
848	T.L.	Copper and Brass Plated
849	T.M.	Copper Plated and Oxidized.
850	X.C.	Hardened and Black Oxide, for Iron or Steel
851	Z.A.	Hardened, Polished, Nickel Plated Buffed and Chromium Plated
852	Z.B.	Polished, Nickel Plated, Buffed and Chromium Plated
853	Z.C.	Hardened and Chromium Plated
854	Z.D.	Polished and Chromium Plated
855	Z.G.	Bright Rumbled, Nickel Plated, Bright Rumbled and Chromium Plated
856	Z.J.	Nickel and Chromium Plated
857	Z.T.	Copper and Chromium Plated
858	A.L.Z.J.	Heat Treated for Toughness, Nickel and Chromium Plated
859	-	Heat Treated for Toughness, Copper Plated and Oxidized
860	-	Nickel Plated and Buffed Only

These letters MUST BE USED when they appear in the list; and AFTER the number as in the list.

In this series:

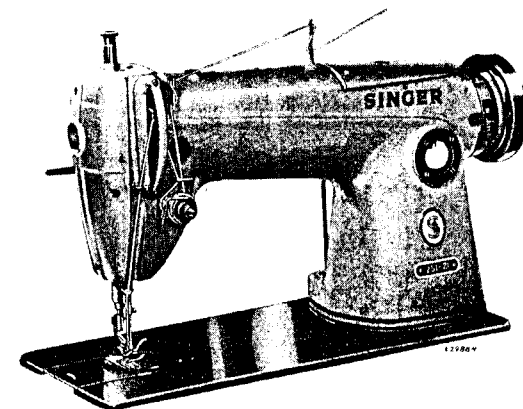
1 to 1500, 50001 to 51500 and 14001 to 142000 are screw numbers.  
1501 to 1800 and 51500 to 51800 are nut numbers  
1801 to 2000 and 51801 to 52000 are roller numbers

The figures in the second column refer only to plates; illustrating the parts, and are NOT TO BE USED in ordering.

Parts marked with an asterisk (\*) are furnished only when repairs are made at the factory.

## LIST OF PARTS COMPLETE

FOR



MACHINE NO. 251-21

FOR GENERAL STITCHING OPERATIONS ON LIGHT TO MEDIUM HEAVY FABRICS. CLEARANCE UNDER PRESSER FOOT  $9/32$ " NEEDLE BAR STROKE  $1-13/64$ ". MAXIMUM STITCH LENGTH 7 PER INCH.

No.	Plate	Name
*147350	-----	Arm.....
		NOTE: Due to the accuracy required for gear alignment, Arm cannot be supplied separately and can only be sent out as a unit, Arm and Bed assembled.
8582	21257	Arm Dowel Pin (2).....
50608 (819)	21267	Arm Hole Plug Screw (top of arm) for plugging hole used to assemble take-up oil wicks.....
140705 (805)	21257	Arm Screw (back) .....
146552	21257	Arm Screw (front and intermediate) (2) ..
140315 (805)	21257	Arm Screw Stud (back) (2).....
147352	21267	Arm Shaft (horizontal) with Needle Bar Crank with 1036 (830, 140542 (830) and 140609 (830) .....
147486	21267	Arm Shaft (horizontal) Bushing (center)..
140296 (830)	21267	Arm Shaft (horizontal) Bushing (center) Set Screw .....
147112	21267	Arm Shaft (horizontal) Flanged Bushing (back).....
146790	21267	Arm Shaft (horizontal) Flanged Bushing (back) Oil Sump Tube .....
207 (805)	21267	Arm Shaft (horizontal) Flanged Bushing (back) Oil Sump Tube Holder Screw....
140297 (830)	21267	Arm Shaft (horizontal) Flanged Bushing (back) Set Screw .....
147005	21267	Arm Shaft (horizontal) Flanged Bushing (front).....
140279 (830)	21267	Arm Shaft (horizontal) Flanged Bushing (front) Set Screw .....

No.	Plate	Name
144 (804)	21267	Arm Shaft (horizontal) Screw (back).....
140640 (805)	21267	Arm Shaft (horizontal) Screw Plug (front) .....
147109	21267	Arm Shaft (horizontal) Screw Plug (front) Washer (fiber) .....
147468	21267	Arm Shaft (horizontal) Thrust Collar with two 457 (830) .....
457 (830)	21267	Arm Shaft (horizontal) Thrust Collar Set Screw (2) .....
143013	21267	Arm Shaft (upright) .....
143014	21267	Arm Shaft (upright) Bevel Gear (lower) right hand spiral with two 1259 (830) ..
		NOTE: To ensure proper functioning of Gears, No. 143014 will not be supplied separately to Agencies, but will be substituted by Pair of Gears No. 143295.
1259 (830)	21267	Arm Shaft (upright) Bevel Gear (lower) Set Screw (2) .....
143015	21267	Arm Shaft (upright) Bevel Gear (upper) left hand spiral with two 1259 (830) .....
		NOTE: To ensure proper functioning of Gears No. 143015 will not be supplied separately to Agencies, but will be substituted by Pair of Gears No. 147476.
1259 (830)	21267	Arm Shaft (upright) Bevel Gear (upper) Set Screw (2) .....
143016	21267	Arm Shaft (upright) Bushing (lower) .....
140298 (830)	21267	Arm Shaft (upright) Bushing (lower) Set Screw .....
147111	21267	Arm Shaft (upright) Bushing (upper) .....
50504 (830)	21267	Arm Shaft (upright) Bushing (upper) Set Screw .....
147085	21268	Arm Side Shield .....
147008	21268	Arm Side Shield Wick .....
16709	21268	Arm Side Shield Wick Spring Holder .....
147086	21268	Arm Side Shield complete, Nos. 16709, 147008 and 147085 .....
217 (819)	21268	Arm Side Shield Screw (2) .....
52239	21257	Arm Spool Pin and Thread Eyelet .....
8879	21257	Arm Spool Pin Washer (cloth) .....
		NOTE: When ordering No. 8879, state color required.
147011	8275	Arm Top Cover for 147013 .....
147012	8256	Arm Top Cover for 147014 .....
147013	8275	Arm Top Cover with Stitch Regulator Plunger complete, Nos. 64519, 146511, 147011 and 147105 .....
		NOTE: No. 147013 is regularly furnished with this machine.
147014	8256	Arm Top Cover with Stitch Regulator Plunger complete, when a longer spool pin (3 1/2 in. long) is required, Nos. 64519, 143244, 146511, 147012 and 147105 .....

No.	Plate	Name
147015	8275	Arm Top Cover Gasket .....
51369 (813)	8275	Arm Top Cover Screw (4) .....
143244	8256	Arm Top Cover Spool Pin with Spool Rest, 3 1/2 in. long .....
147105	8256	Arm Top Cover Stitch Regulator Plunger
140607 (819)	8256	Arm Top Cover Stitch Regulator Plunger Hole Plug Screw for plugging the Plunger Hole when the Plunger is removed to prevent tampering with the stitch set .....
64519	8256	Arm Top Cover Stitch Regulator Plunger Spring .....
146511	8256	Arm Top Cover Stitch Regulator Plunger Stop Ring .....
*147353	-----	Bed .....
		NOTE: Due to the accuracy required for gear alignment, Bed cannot be supplied separately and can only be sent out as a unit, Arm and Bed assembled.
143024	21257	Bed Hole Plug .....
143268	21257	Bed Leg (back) .....
1518 (809)	21257	Bed Leg (back) Nut (2) .....
12431 (819)	21270	Bed Slide .....
4307	21270	Bed Slide Spring .....
725 (819)	21270	Bed Slide Spring Screw (2) .....
12432	21270	Bed Slide complete, Nos. 4307, 12431 (819) and two 725 (819) .....
147477	21269	Bell Crank .....
147478	21269	Bell Crank Bracket .....
158 (813)	21269	Bell Crank Bracket Screw (2) .....
140941 (803)	21269	Bell Crank Hinge Screw .....
1650 (819)	-----	Bell Crank Hinge Screw Nut .....
147479	-----	Bell Crank complete, Nos. 1650 (819), 140941 (803), 147477 and 147478 .....
147469	-----	Combination of Feed and Stitch Regulator Parts, Nos. 143015, 143040, 143049, 143087, 143134, 147472 and 147473 .....
25878	8268	Edge Guide .....
50190 (809)	8268	Edge Guide Thumb Screw .....
147096	8280	Face Plate .....
147019	8280	Face Plate Gasket .....
152 (809)	8280	Face Plate Screw (lower) (3) .....
738 (809)	8280	Face Plate Screw (upper) .....
147470	21271	Feed Bar .....
147471	-----	Feed Bar 147470 with 147290, 147355, 147356, 272110 and two 1423 (803) .....
147355	21271	Feed Bar Carrier with two each 158 (805) and 140788 (805) .....
158 (805)	21271	Feed Bar Carrier Clamping Screw (2) .....
143031	21271	Feed Bar Carrier Oil Wick .....
143032	21271	Feed Bar Carrier Oil Wick Holder .....
147024	-----	Feed Bar Carrier Oil Wick Holder 143032 with 143031 .....
228 (805)	21271	Feed Bar Carrier Oil Wick Holder (2) .....

No.	Plate	Name
272110	21271	Feed Bar Connecting Link.....
1423 (803)	21271	Feed Bar Connecting Link Cap Screw (2)
147288	21271	Feed Bar Connecting Link Oil Wick .....
272111	21271	Feed Bar Connecting Link Oil Wick Clamp .....
147035	21271	Feed Bar Connecting Link Oil Wick Holder.....
50579 (809)	21271	Feed Bar Connecting Link Oil Wick Holder Screw.....
147289	-----	Feed Bar Connecting Link Oil Wick Holder 147035 with 147288 .....
147356	21271	Feed Bar Hinge Pin (eccentric).....
140788 (805)	21271	Feed Bar Hinge Pin Clamping Screw (2) ..
149057	21270	Feed Dog, 21 teeth (22 teeth to the inch).
50117 (830)	21270	Feed Dog Screw (2) .....
147472	21267	Feed Eccentric with 1375 (830) and two 1036 (830).....
1375 (830)	21267	Feed Eccentric Body Position Screw ....
1036 (830)	21267	Feed Eccentric Body Set Screw (2).....
140256 (830)	21267	Feed Eccentric Stop Screw (7 stitch)....
140568 (830)	21267	Feed Eccentric Stop Screw (8 stitch)....
NOTE: No. 140568 is regularly furnished with this machine.		
140257 (830)	21267	Feed Eccentric Stop Screw (5 1/2 stitch)
140258 (830)	21267	Feed Eccentric Stop Screw (14 stitch)...
147473	-----	Feed Lifting Eccentric and Arm Shaft (horizontal) Bevel Gear, right hand spiral with 1259 (830); 140333 (830) and 143088 .....
NOTE: To ensure proper functioning of Gears, No. 147473 will not be supplied separately to Agencies, but will be substituted by Pair of Gears No. 147476.		
140333 (830)	21267	Feed Lifting Eccentric Position Screw....
1259 (830)	21267	Feed Lifting Eccentric Set Screw .....
147358	21271	Feed Lifting Rock Shaft Nos. 197 (805), 140359 (805), 143236, 147038, 147039, 147047 and two 147037 .....
143052	21271	Feed Lifting Rock Shaft and Feed Rock Shaft Oil Wick Holder.....
197 (805)	21271	Feed Lifting Rock Shaft and Feed Rock Shaft Oil Wick Holder Screw.....
147028	21271	Feed Lifting Rock Shaft Bushing (2).....
447 (830)	21271	Feed Lifting Rock Shaft Bushing Set Screw (2) .....
147029	21271	Feed Lifting Rock Shaft Collar with two 460 (830) (2) .....
460 (830)	21271	Feed Lifting Rock Shaft Collar Set Screw (4) .....
143040	21267	Feed Lifting Rock Shaft Connecting Rod... Hinge Screw .....
140230 (803)	21267	Feed Lifting Rock Shaft Connecting Rod Hinge Screw .....
1518 (809)	21267	Feed Lifting Rock Shaft Connecting Rod Hinge Screw Nut .....

No.	Plate	Name
149074	21271	Feed Lifting Rock Shaft Crank (back) with 140228 (830).....
140228 (830)	21271	Feed Lifting Rock Shaft Crank (back) Clamping Screw .....
147290	21271	Feed Lifting Rock Shaft Crank (front) with 140915 (830).....
140915 (830)	21271	Feed Lifting Rock Shaft Crank (front) Clamping Screw .....
140359 (805)	21271	Feed Lifting Rock Shaft Oil Plug Screw ..
143236	21271	Feed Lifting Rock Shaft Oil Plug Screw Washer (fiber).....
147038	21271	Feed Lifting Rock Shaft Oil Wick (long) ..
147037	21271	Feed Lifting Rock Shaft Oil Wick (short) (2).....
147039	21271	Feed Lifting Rock Shaft Oil Wick.....
147047	21271	Feed Lifting Rock Shaft Oil Wick Clamp- ing Plate .....
197 (805)	21271	Feed Lifting Rock Shaft Oil Wick Clamp- ing Plate Screw .....
147359	21271	Feed Rock Shaft Nos. 197 (805), 140359 (805), 143236, 147039, 147046, 147047 and two 147045 .....
147042	21271	Feed Rock Shaft Bushing (back).....
447 (830)	21271	Feed Rock Shaft Bushing (back) Set Screw
147043	21271	Feed Rock Shaft Bushing (front) .....
447 (830)	21271	Feed Rock Shaft Bushing (front) Set Screw
147029	21271	Feed Rock Shaft Collar with two 460 (830)
460 (830)	21271	Feed Rock Shaft Collar Set Screw (2) ....
143049	21267	Feed Rock Shaft Connecting Rod.....
140230 (830)	21267	Feed Rock Shaft Connecting Rod Hinge Screw .....
1518 (809)	21267	Feed Rock Shaft Connecting Rod Hinge Screw Nut .....
146099	21271	Feed Rock Shaft Crank with 140228 (830).
140228 (830)	21271	Feed Rock Shaft Crank Clamping Screw ..
140359 (805)	21271	Feed Rock Shaft Oil Plug Screw .....
143236	21271	Feed Rock Shaft Oil Plug Screw Washer (fiber) .....
147046	21271	Feed Rock Shaft Oil Wick (long) .....
147045	21271	Feed Rock Shaft Oil Wick (short) (2) ....
147039	21271	Feed Rock Shaft Oil Wick .....
147047	21271	Feed Rock Shaft Oil Wick Clamping Plate
197 (805)	21271	Feed Rock Shaft Oil Wick Clamping Plate Screw.....
147139	8256	Machine Pulley, small rim diam. (disc power) "V" belt groove 2.9 in. diam., with two 51283 (830).....
NOTE: No. 147139 is regularly furnished.		
51283 (830)	8256	Machine Pulley Set Screw (2) .....
147140	8256	Machine Pulley, large rim diam. (disc power) "V" belt groove 2.9 in. diam., with two 51283 (830) .....
147162	21272	Needle Bar (hollow) with 140239 (830)...
143336	21272	Needle Bar Bushing (lower) .....
1133 (830)	21272	Needle Bar Bushing (lower) Set Screw

No.	Plate	Name
52171	21272	Needle Bar Bushing (lower) Thread Eyelet.....
143324	21272	Needle Bar Bushing (upper) .....
1133 (830)	21272	Needle Bar Bushing (upper) Set Screw...
147492	21272	Needle Bar Connecting Link .....
147050	-----	Needle Bar Connecting Link 147492 with 143326 .....
140231 (803)	21272	Needle Bar Connecting Link Cap Screw ..
143056	21272	Needle Bar Connecting Link Roller Bearing (18).....
143326	21272	Needle Bar Connecting Stud with 140706 (803).....
140706 (803)	21272	Needle Bar Connecting Stud Clamping Screw.....
147053	21268	Needle Bar Connecting Stud Oil Wick ...
143058	21272	Needle Bar Connecting Stud Slide Block..
140542 (830)	21267	Needle Bar Crank Position Screw .....
143196	21268	Needle Bar Oil Wick.....
140239 (830)	21272	Needle Set Screw.....
146591	21274	Oil Flow Body.....
143061	21274	Oil Flow Body Gasket (2) .....
143062	21274	Oil Flow Window .....
143063	21274	Oil Flow Window Cap .....
50257 (809)	21274	Oil Flow Window Cap Screw (4).....
143370	21274	Oil Lead .....
51369 (805)	21274	Oil Lead Screw .....
143064	21274	Oil Pipe for 147106.....
147360	21274	Oil Pipe for oiling Rotating Hook Shaft (front) Bearing.....
143065	21274	Oil Pipe Clamping Sleeve.....
143066	21274	Oil Pipe Clamping Sleeve Nut.....
147106	21274	Oil Pipe complete from Oil Pump to Arm Shaft (horizontal) Center Bearing, Nos. 143064, 143065 and 143066 .....
147361	-----	Oil Pipe 147360 with 143124 for oiling Rotating Hook Shaft (front) Bearing....
143124	21274	Oil Pipe Clamping Sleeve.....
143125	21274	Oil Pipe Clamping Sleeve Nut.....
143126	21274	Oil Pipe Clamping Sleeve Nut Adaptor ...
143070	21274	Oil Pump (centrifugal) Body with 143126.
143071	21274	Oil Pump (centrifugal) Body Position Pin (2).....
157 (805)	21274	Oil Pump (centrifugal) Body Screw (3)..
143072	21274	Oil Pump (centrifugal) Cover.....
143073	21274	Oil Pump (centrifugal) Impeller.....
50123 (805)	21267	Oil Pump (centrifugal) Impeller Locking Screw.....
143074	21274	Oil Pump (centrifugal) Screen .....
143075	21274	Oil Pump (centrifugal) Screen Frame....
189 (805)	21274	Oil Pump (centrifugal) Screen Frame Screw (4).....
147107	21268	Oil Removing Wick (head end) .....
146745	21268	Oil Removing Wick (head end) Holder Body.....

No.	Plate	Name
147108	-----	Oil Removing Wick (head end) Holder Body 146745 with 146698 and 147107...
140553 (805)	21268	Oil Removing Wick (head end) Holder Body Hinge Screw.....
146700	21268	Oil Removing Wick (head end) Holder Body Stop and Spring Clip.....
228 (805)	21268	Oil Removing Wick (head end) Holder Body Stop and Spring Clip Screw.....
146698	21268	Oil Removing Wick (head end) Holder Body Spring .....
147054	21268	Oil Removing Wick (head end) Hinge Plate and Cover.....
147055	21268	Oil Removing Wick (head end) Hinge Plate and Cover Gasket.....
1364 (819)	21268	Oil Removing Wick (head end) Hinge Plate and Cover Screw (4) .....
147056	21268	Oil Removing Wick (head end) Holder Body complete, Nos. 228 (805), 140553 (805), 146698, 146700, 146745, 147054, 147055 and 147107.....
147141	21267	Oil Wick, 11 in. long for oiling Take-up Lever, Take-up Lever Link, Needle Bar Connecting Link and Thread Take-up Lever Link Hinge Bearing (2).....
147144	21267	Oil Wick Holder with two 147141 .....
140232 (819)	21267	Oil Wick Holder Screw.....
143295	-----	Pair of Gears for Lower Shaft, Nos. 143014 and 143081.....
147476	-----	Pair of Gears for Upper Shaft, Nos. 143015 and 147473 .....
147057	21273	Presser Bar (hollow) .....
147058	21273	Presser Bar Bushing (lower).....
NOTE: No. 143184 is used in place of No. 147058 when using Quilter or Finger Guards.		
1133 (830)	21273	Presser Bar Bushing (lower) Set Screw .
149107	21273	Presser Bar Guide Bracket with 50203 (830).....
50203 (830)	21273	Presser Bar Guide Bracket Clamping and Tension Releaser Screw.....
147060	21269	Presser Bar Lifter.....
69 (850)	21269	Presser Bar Lifter Hinge Screw.....
147372	21273	Presser Bar Lifting Bracket .....
147362	21269	Presser Bar Lifting Lever with 448 (830)
143108	21269	Presser Bar Lifting Lever Connecting Rod .....
1611 (819)	21269	Presser Bar Lifting Lever Connecting Rod Nut.....
1611 (819)	21269	Presser Bar Lifting Lever Connecting Rod Lock Nut .....
143191	21269	Presser Bar Lifting Lever Connecting Rod Oil Mist Retaining Disc (felt)....
143109	21269	Presser Bar Lifting Lever Connecting Rod Swivel .....
802 (819)	21269	Presser Bar Lifting Lever Hinge Screw .
147373	21273	Presser Bar Lifting Lever Link .....

No.	Plate	Name
147062	21269	Presser Bar Lifting Lever Pin.....
448 (830)	21269	Presser Bar Lifting Lever Pin Set Screw
146610	21269	Presser Bar Lifting Lever Spring.....
147291	21273	Presser Bar Spring .....
2070	21273	Presser Bar Spring Washer .....
62527	21270	Presser Foot Hinge Pin.....
161065	21270	Presser Foot Plate.....
62926	21270	Presser Foot Shank .....
161160	21270	Presser Foot Spring.....
161066	21270	Presser Foot (spring hinged) complete, Nos. 62527, 62926, 161065 and 161160.
50190 (809)	21270	Presser Foot Thumb Screw.....
147091	21273	Pressure Regulating Thumb Screw and Presser Bar Guide .....
51614 (809)	21273	Pressure Regulating Thumb Screw Lock Nut .....
147496	21275	Pre-Tension Body with 460 (830).....
210993	21275	Pre-Tension Sleeve.....
272208	21275	Pre-Tension Spring.....
147497	21275	Pre-Tension Stud.....
210958	21275	Pre-Tension Stud Collar .....
460 (830)	21275	Pre-Tension Stud Set Screw .....
624 (830)	21275	Pre-Tension Stud Set Screw (In Arm)....
147498	21275	Pre-Tension complete, Nos. 147496, 147497, 210958, 210993 and 272208....
143340	21276	Rotating Hook with 143301 and two 1253 (830).....
149053	21276	Rotating Hook 143340 with 143351, 149066 and four 1053 (805).....
143342	21276	Rotating Hook 149053 with 143346, 149065 and three 1367 (805).....
149055	-----	Rotating Hook 149053 with 149065 and three 1367 (805).....
143344	21276	Rotating Hook 143342 with 149063 .....
270010	21276	Rotating Hook Bobbin (3).....
149060	21276	Rotating Hook Bobbin Case .....
149061	-----	Rotating Hook Bobbin Case 149060 with 591 (806), 1380 (805) and 40394.....
40392	21276	Rotating Hook Bobbin Case Latch.....
125320	21276	Rotating Hook Bobbin Case Latch Lever..
2974	21276	Rotating Hook Bobbin Case Latch Fulcrum Pin .....
2975	21276	Rotating Hook Bobbin Case Latch Spring .
592 (805)	21276	Rotating Hook Bobbin Case Latch Stop Screw.....
40393	21276	Rotating Hook Bobbin Case Latch Hinge, Nos. 2974, 40392 and 125320 .....
591 (806)	21276	Rotating Hook Bobbin Case Tension Regulating Screw .....
40394	21276	Rotating Hook Bobbin Case Tension Spring .....
1380 (805)	21276	Rotating Hook Bobbin Case Tension Spring Screw.....
149063	21276	Rotating Hook Bobbin Case complete, Nos. 592 (805), 2975, 40393 and 149061

No.	Plate	Name
143346	21276	Rotating Hook Bobbin Case Holder.....
147475	21276	Rotating Hook Bobbin Case Holder Position Bracket .....
704 (809)	21276	Rotating Hook Bobbin Case Holder Position Bracket Screw .....
140551 (803)	21276	Rotating Hook Oil Flow Regulating Thumb Screw.....
143383	21276	Rotating Hook Oil Flow Regulating Thumb Screw Spring.....
233 (805)	21276	Rotating Hook Oil Flow Regulating Thumb Screw Spring Screw .....
143301	21276	Rotating Hook Oil Wick (felt) .....
149065	21276	Rotating Hook Section .....
1367 (805)	21276	Rotating Hook Section Screw (3).....
1253 (830)	21276	Rotating Hook Set Screw (2) .....
147363	21276	Rotating Hook Shaft with 143350.....
147364	-----	Rotating Hook Shaft 147363 with 147131 ..
143081	21276	Rotating Hook Shaft Bevel Gear (left hand spiral) with two 1259 (830).....
NOTE: To ensure proper functioning of Gears, No. 143081 will not be supplied separately to Agencies, but will be substituted by Pair of Gears No. 143295.		
1259 (830)	21276	Rotating Hook Shaft Bevel Gear Set Screw (2) .....
143082	21276	Rotating Hook Shaft Bushing (back).....
140259 (830)	21276	Rotating Hook Shaft Bushing (back) Set Screw.....
143382	21276	Rotating Hook Shaft Bushing (front).....
1285 (830)	21276	Rotating Hook Shaft Bushing (front) Set Screw .....
143042	21276	Rotating Hook Shaft Oil Filter Wick.....
143349	21276	Rotating Hook Shaft Oil Filter Wick Holder .....
143350	21276	Rotating Hook Shaft Oil Filter complete, Nos. 143042 and 143349 .....
147131	21276	Rotating Hook Shaft Oil Retaining Collar with two 50429 (830) .....
50429 (830)	21276	Rotating Hook Shaft Oil Retaining Collar Set Screw (2) .....
149066	21276	Rotating Hook Thread Guard.....
1053 (805)	21276	Rotating Hook Thread Guard Screw (4)...
143351	21276	Rotating Hook Wiper.....
147166	21273	Slack Thread Regulator .....
190 (809)	21273	Slack Thread Regulator Screw .....
147092	8256	Stitch Length Indicator Plate.....
402 (819)	8256	Stitch Length Indicator Plate Screw.....
143085	21267	Stitch Regulator.....
143134	-----	Stitch Regulator 143085 with 140549 (805), 143086 and 143378.....
143086	21267	Stitch Regulator Locking Slide .....
143087	21267	Stitch Regulator Locking Slide Ratchet Wheel.....
143088	21267	Stitch Regulator Locking Slide Ratchet Wheel Pin .....



No.	Plate	Name
143378	21267	Stitch Regulator Locking Slide Spring....
140549 (805)	21267	Stitch Regulator Locking Slide Spring Screw.....
1560 (803)	21275	Tension Regulating Thumb Nut.....
272218	21275	Tension Releasing Disc.....
147159	21275	Tension Releasing Lever Body.....
147160	-----	Tension Releasing Lever (adjustable) 147159 with 50123 (819) and 147161 ...
50123 (819)	21275	Tension Releasing Lever (adjustable) Screw .....
12398	21275	Tension Releasing Lever Hinge Pin .....
147161	21275	Tension Releasing Lever Segment.....
12329	21275	Tension Releasing Lever Spring .....
270086	21275	Tension Releasing Pin.....
272219	21275	Tension Spring.....
140873 (803)	21275	Tension Stud.....
149012	-----	Tension Stud 140873 (803) with 1560 (803)
50305 (803)	21275	Tension Stud Set Screw .....
202079	21275	Tension Washer (felt) (2).....
272221	21275	Tension Washer (rotary).....
272220	21275	Tension Washer (steel).....
147499	21275	Tension (rotary) complete, Nos. 52083, 147500, 149012, 270086, 272218, 272219, 272220, 272221 and two 202079
147090	21275	Thread Eyelet (side of arm).....
147069	21275	Thread Guard (side of arm).....
147386	-----	Thread Take-up Crank, Thread Take-up Lever with 147079 and Thread Take-up Lever Link with 147193 and eighteen 143056.....
147197	-----	Thread Take-up Crank, Thread Take-up Lever with 147079 and Thread Take-up Lever Link with 140231 (803), 143058, 143326, 147193, 147492 and thirty-six 143056.....
147186	21272	Thread Take-up Crank, Thread Take-up Lever with 147079, Thread Take-up Lever Link and Thread Take-up Lever Link Hinge Stud complete, Nos. 147075 and 147197 .....
140609 (830)	21267	Thread Take-up Crank Clamping Screw..
140610 (819)	21267	Thread Take-up Crank Clamping Screw Hole Plug Screw .....
147070	21267	Thread Take-up Crank Clamping Screw Hole Plug Screw Gasket.....
1036 (830)	21267	Thread Take-up Crank Set Screw .....
147193	21272	Thread Take-up Crank Wearing Plate ...
147156	8280	Thread Take-up Lever Guard.....
147077	8280	Thread Take-up Lever Guard Gasket....
152 (819)	8280	Thread Take-up Lever Guard Screw (2) .
147073	21272	Thread Take-up Lever Link Hinge Stud ..
147074	21272	Thread Take-up Lever Link Hinge Stud Oil Wick .....
435 (830)	21272	Thread Take-up Lever Link Hinge Stud Set Screw .....

No.	Plate	Name
147075	-----	Thread Take-up Lever Link Hinge Stud 147073 with 147074.....
147296	21268	Thread Take-up Lever Oil Guard with 143196 and 147053 .....
217 (805)	21268	Thread Take-up Lever Oil Guard Screw .
143056	21272	Thread Take-up Lever Roller Bearing (18).....
147079	21272	Thread Take-up Lever Thread Eyelet Bushing.....
147500	21275	Thread Take-up Spring.....
52083	21275	Thread Take-up Spring Regulator with 50305 (803) .....
448 (830)	21275	Thread Take-up Spring Regulator Set Screw .....
147158	21270	Throat Plate (small needle hole) .....
691 (850)	21270	Throat Plate Screw (2).....

ACCESSORIES

No.	Plate	Name
143308	8268	Machine Base and Oil Reservoir Cushion (4).....
12361	8268	Machine Hinge Connection (2).....
41400	8268	Machine Rest Pin (wood).....
121741	8268	One quart can filled with light grade stainless oil.....
228476	8268	Screw Driver.....
120440	8268	Screw Driver.....
259477	8268	Screw Driver 5 in. long.....
146057	8268	Wrench (socket) for 140609.....
8908	8268	Wrench.....
11140	8268	Wrench.....

NOTE: No. 146057 is not regularly furnished.

NOTE: No. 8908 is not regularly furnished.

NOTE: No. 11140 is not regularly furnished.

BOBBIN WINDER  
(FOR ROUND BELT)

No.	Plate	Name
259428	23253	Brake (leather).....
259429	23253	Brake Clamp.....
200113 (806)	23253	Brake Clamp Screw.....
225453	23253	Frame with 202277 and 259660.....
225454	23253	Frame Hinge Pin.....
202277	23253	Frame Oil Packing (wick).....
259660	23253	Frame Oil Well Washer.....
225455	23253	Frame Spring.....
225456	23253	Frame Spring Plunger.....
225368	23253	Pulley with 200380 (803).....
200380 (803)	23253	Pulley Set Screw.....
225381	23253	Spindle.....
225444	23253	Stop Latch.....
200056 (805)	23253	Stop Latch Screw.....
225458	23253	Stop Latch Thumb Lever.....
225459	23253	Stop Latch Thumb Lever Hinge Stud.....
225459	23253	Stop Latch Thumb Lever Joint Stud.....
202478	23253	Stop Latch Trip Lever.....
200299 (819)	23253	Stop Latch Trip Lever Hinge Screw.....
225461	23253	Tension Bracket with 201499 (819).....
200082 (804)	23253	Tension Bracket Screw.....
228026	23253	Tension Bracket Screw Washer.....
2102	23253	Tension Disc (2).....
13710	23253	Tension Spring.....
201499 (819)	23253	Tension Stud.....
201572 (819)	23253	Tension Stud Thumb Nut.....

No.	Plate	Name
225462	23253	Bobbin Winder Tension Bracket complete, Nos. 13710, 201572 (819), 225461 and two 2102.....
259430	23253	Bobbin Winder and Tension Bracket Base
259431	23253	Bobbin Winder (round belt) complete, Nos. 200056 (805), 200082 (804), 200113 (806), 200299 (819), 202478, 225368, 225381, 225444, 225453, 225454, 225455, 225456, 225458, 225462, 228026, 259428, 259429, 259430 and two each 225459 and wood screws 3/4 in. No. 12 R.H.B....

BOBBIN WINDER NO. 259462  
(Swinging Automatic Right Hand)  
For "V" Belt Drive

No.	Plate	Name
259428	23253	Brake (leather).....
259429	23253	Brake Clamp.....
200113 (806)	23253	Brake Clamp Screw.....
225453	23253	Frame with 202277 and 259660.....
225454	23253	Frame Hinge Pin.....
202277	23253	Frame Oil Packing (wick).....
259660	23253	Frame Oil Well Washer.....
225455	23253	Frame Spring.....
225456	23253	Frame Spring Plunger.....
259461	23253	Pulley with 200380 (803).....
200380 (803)	23253	Pulley Set Screw.....
225381	23253	Spindle.....
225444	23253	Stop Latch.....
200056 (805)	23253	Stop Latch Screw.....
225458	23253	Stop Latch Thumb Lever.....
225459	23253	Stop Latch Thumb Lever Hinge Stud.....
225459	23253	Stop Latch Thumb Lever Joint Stud.....
202478	23253	Stop Latch Trip Lever.....
200299 (819)	23253	Stop Latch Trip Lever Hinge Screw.....
225461	23253	Tension Bracket with 201499 (819).....
200082 (804)	23253	Tension Bracket Screw.....
228026	23253	Tension Bracket Screw Washer.....
2102	23253	Tension Disc (2).....
13710	23253	Tension Spring.....
201499 (819)	23253	Tension Stud.....
201572 (819)	23253	Tension Stud Thumb Nut.....
225462	23253	Bobbin Winder Tension Bracket complete, Nos. 13710, 201572 (819), 225461 and two 2102.....
259662	23253	Bobbin Winder and Tension Bracket Base

No.	Plate	Name
259462	23253	Bobbin Winder complete, for "V" belt, Nos. 200056 (805), 200082 (804), 200113 (806), 200299 (819), 202478, 225381, 225444, 225453, 225454, 225455, 225456, 225458, 225462, 228026, 259428, 259429, 259461, 259662, two each 225459 and wood screws 3/4 in. No. 12 R.H.B.....

## KNEE LIFTER PARTS

No.	Plate	Name
147480	21277	Bell Crank Plunger.....
143280	21254	Rock Shaft.....
147481	-----	Rock Shaft 143280 with 147482, 147483 and 147485.....
147482	21254	Rock Shaft Crank with 140351 (830) and 143282.....
140350 (830)	21254	Rock Shaft Crank Adjusting Screw.....
143282	-----	Rock Shaft Crank Adjusting Screw 140350 (830) with 51649 (809).....
51649 (809)	21254	Rock Shaft Crank Adjusting Screw Lock Nut.....
140351 (830)	21254	Rock Shaft Crank Clamping Screw.....
147487	21254	Rock Shaft Knee Arm.....
147489	21254	Rock Shaft Knee Arm Hub with 140351 (830) and 140737 (803).....
140351 (830)	21254	Rock Shaft Knee Arm Hub Clamping Screw.....
140737 (803)	21254	Rock Shaft Knee Arm Set Screw.....
147488	-----	Rock Shaft Knee Arm complete, Nos. 2767, 147487 and 147489.....
2767	21254	Rock Shaft Knee Arm Plate with 356 (803)
356 (803)	21254	Rock Shaft Knee Arm Plate Set Screw ...
147485	21254	Rock Shaft Spring.....
147483	21254	Rock Shaft Stop Dog with 140351 (830)...
140351 (830)	21254	Rock Shaft Stop Dog Clamping Screw ....
147484	21254	Rock Shaft complete, Nos. 147481 and 147488.....

## MACHINE BASE AND OIL RESERVOIR

No.	Plate	Name
147367	21277	Machine Base and Oil Reservoir.....
147368	21277	Machine Base and Oil Reservoir Gasket (cork).....
50741 (805)	21277	Machine and Machine Base and Oil Reservoir Screw (for shipping purposes only).....
140343 (805)	21277	Machine and Machine Base and Oil Reservoir Screw Hole Plug Screw ....
143359	21277	Machine Base and Oil Reservoir Screw Retainer (for shipping purposes only).
143360	21277	Machine Base and Oil Reservoir Screw Cotter Pin (for shipping purposes only)

## THREAD UNWINDER PARTS

For Two Spools or Two Large Cones of Thread

No.	Plate	Name
228764	24193	Spool Pin (2).....
228766	24193	Spool Rest with 201254 (803).....
150203	24193	Spool Rest Cushion (felt) (2).....
228767	24193	Spool Rest Rod.....
201254 (803)	24193	Spool Rest Set Screw.....
228768	24193	Spool Stand.....
228769	24193	Thread Guide (2).....
228770	24193	Thread Guide Holder.....
228774	24193	Thread Guide Rod.....
228776	24193	Thread Unwinder complete, for two spools, Nos. 228766, 228767, 228768, 228770, 228774, two each 150203, 228764, 228769 and three wood screws 7/8 in. No. 12.....
27739		Thread Cone (wood) for large cones ....
225390		Thread Cone Holder, for inverted cones.

NOTE: No. 27739 and 225390 are used with, but not included in 228776.

## NUMERICAL LIST OF PARTS

No.	Plate	Name
69 (850)	21269	Presser Bar Lifter Hinge Screw.....
144 (804)	21267	Arm Shaft (horizontal) Screw (back)....
152 (809)	8280	Face Plate Screw (lower).....
152 (819)	8280	Thread Take-up Lever Guard Screw ....
157 (805)	21274	Oil Pump (centrifugal) Body Screw .....
158 (813)	21269	Bell Crank Bracket Screw .....
158 (805)	21271	Feed Bar Carrier Clamping Screw for 147355 .....
189 (805)	21274	Oil Pump (centrifugal) Screen Frame Screw .....
190 (809)	21273	Slack Thread Regulator Screw .....
197 (805)	21271	Feed Lifting Rock Shaft and Feed Rock Shaft Oil Wick Holder Screw .....
197 (805)	21271	Feed Lifting Rock Shaft Oil Wick Clamp- ing Plate Screw for 147358.....
197 (805)	21271	Feed Rock Shaft Oil Wick Clamping Plate Screw for 147359.....
207 (805)	21267	Arm Shaft, (horizontal) Flanged Bushing (back) Oil Sump Tube Holder Screw...
217 (819)	21268	Arm Side Shield Screw .....
217 (805)	21268	Thread Take-up Lever Oil Guard Screw.
228 (805)	21271	Feed Bar Carrier Oil Wick Holder Screw
228 (805)	21268	Oil Removing Wick (head end) Holder Body Stop and Spring Clip Screw for 147056 .....
233 (805)	21276	Rotating Hook Oil Flow Regulating Thumb Screw Spring Screw.....
356 (803)	21254	Knee Lifter Rock Shaft Knee Arm Plate Set Screw for 2767.....
402 (819)	8256	Stitch Length Indicator Plate Screw.....
435 (830)	21272	Thread Take-up Lever Link Hinge Stud Set Screw .....
447 (830)	21271	Feed Lifting Rock Shaft Bushing Set Screw .....
447 (830)	21271	Feed Rock Shaft Bushing (back) Set Screw .....
447 (830)	21271	Feed Rock Shaft Bushing (front) Set Screw .....
448 (830)	21269	Presser Bar Lifting Lever Pin Set Screw for 147362 .....
448 (830)	21275	Thread Take-up Spring Regulator Set Screw .....
457 (830)	21267	Arm Shaft (horizontal) Thrust Collar Set Screw for 147468.....
460 (830)	21271	Feed Lifting Rock Shaft Collar Set Screw for 147029 .....
460 (830)	21271	Feed Rock Shaft Collar Set Screw for 147029.....
460 (830)	21275	Pre Tension Stud Set Screw for 147496..
591 (806)	21276	Rotating Hook Bobbin Case Tension Regulating Screw for 149061 .....

No.	Plate	Name
592 (805)	21276	Rotating Hook Bobbin Case Latch Stop Screw for 149063.....
624 (830)	21275	Pre Tension Stud Set Screw (In Arm) ...
691 (850)	21270	Throat Plate Screw .....
704 (809)	21276	Rotating Hook Bobbin Case Holder Position Bracket Screw.....
725 (819)	21270	Bed Slide Spring Screw for 12432 .....
738 (809)	8280	Face Plate Screw (upper).....
802 (819)	21269	Presser Bar Lifting Lever Hinge Screw ..
1036 (830)	21267	Feed Eccentric Body Set Screw for 147472.....
1036 (830)	21267	Thread Take-up Crank Set Screw for 147352.....
1053 (805)	21276	Rotating Hook Thread Guard Screw for 149053.....
1133 (830)	21272	Needle Bar Bushing (lower) Set Screw...
1133 (830)	21272	Needle Bar Bushing (upper) Set Screw...
1133 (830)	21273	Presser Bar Bushing (lower) Set Screw ..
1253 (830)	21276	Rotating Hook Set Screw for 143340 .....
1259 (830)	21267	Arm Shaft (upright) Bevel Gear (lower) Set Screw for 143014 .....
1259 (830)	21267	Arm Shaft (upright) Bevel Gear (upper) Set Screw for 143015 .....
1259 (830)	21267	Feed Lifting Eccentric Set Screw for 147473.....
1259 (830)	21276	Rotating Hook Shaft Bevel Gear Set Screw for 143081.....
1285 (830)	21276	Rotating Hook Shaft Bushing (front) Set Screw.....
1364 (819)	21268	Oil Removing Wick (head end) Hinge Plate and Cover Screw.....
1367 (805)	21276	Rotating Hook Section Screw for 143342 and 149055 .....
1375 (830)	21267	Feed Eccentric Body Position Screw for 147472.....
1380 (805)	21276	Rotating Hook Bobbin Case Tension Spring Screw for 149061 .....
1423 (803)	21271	Feed Bar Connecting Link Cap Screw for 147471.....
1518 (809)	21257	Bed Leg (back) Nut .....
1518 (809)	21267	Feed Lifting Rock Shaft Connecting Rod Hinge Screw Nut .....
1518 (809)	21267	Feed Rock Shaft Connecting Rod Hinge Screw Nut.....
1560 (803)	21275	Tension Regulating Thumb Nut for 149012
1611 (819)	21269	Presser Bar Lifting Lever Connecting Rod Nut .....
1611 (819)	21269	Presser Bar Lifting Lever Connecting Rod Lock Nut.....
1650 (819)	-----	Bell Crank Hinge Screw Nut for 147479 ..
2070	21273	Presser Bar Spring Washer.....
2102	23253	Bobbin Winder Tension Disc for 225462..
2767	21254	Knee Lifter Rock Shaft Knee Arm Plate with 356 (803), for 147488 .....

No.	Plate	Name
2974	21276	Rotating Hook Bobbin Case Latch Fulcrum Pin for 40393.....
2975	21276	Rotating Hook Bobbin Case Latch Spring for 149063 .....
4307	21270	Bed Slide Spring for 12432 .....
8582	21257	Arm Dowel Pin .....
8879	21257	Arm Spool Pin Washer (cloth).....
		NOTE: When ordering No. 8879, state color required.
8908	8268	Wrench (Accessories).....
		NOTE: No. 8908 is not regularly furnished.
11140	8268	Wrench (Accessories).....
		NOTE: No. 11140 is not regularly furnished.
12329	21275	Tension Releasing Lever Spring .....
12361	8268	Machine Hinge Connection (Accessories)
12398	21275	Tension Releasing Lever Hinge Pin .....
12431 (819)	21270	Bed Slide for 12432.....
12432	21270	Bed Slide complete, Nos. 4307, 12431 (819) and two 725 (819) .....
13710	23253	Bobbin Winder Tension Spring for 225462
16709	21268	Arm Side Shield Wick Spring Holder for 147086.....
25878	8268	Edge Guide.....
27739	-----	Thread Unwinder Thread Cone (wood) for large cones .....
		NOTE: No. 27739 is used with, but not included in 228776.
40392	21276	Rotating Hook Bobbin Case Latch for 40393.....
40393	21276	Rotating Hook Bobbin Case Latch Hinge, Nos. 2974, 40392 and 125320 for 149063.....
40394	21276	Rotating Hook Bobbin Case Tension Spring for 149061.....
41400	8268	Machine Rest Pin (wood) Accessories....
50117 (830)	21270	Feed Dog Screw.....
50123 (805)	21267	Oil Pump (centrifugal) Impeller Locking Screw.....
50123 (819)	21275	Tension Releasing Lever (adjustable) Screw for 147160 .....
50190 (809)	21270	Presser Foot Thumb Screw .....
50190 (809)	8268	Edge Guide Thumb Screw .....
50203 (830)	21273	Presser Bar Guide Bracket Clamping and Tension Releaser Screw for 149107 ....
50257 (809)	21274	Oil Flow Window Cap Screw.....
50305 (803)	21275	Tension Stud Set Screw for 52083 .....
50429 (830)	21276	Rotating Hook Shaft Oil Retaining Collar Set Screw for 147131 .....
50504 (830)	21267	Arm Shaft (upright) Bushing (upper) Set Screw.....
50579 (809)	21271	Feed Bar Connecting Link Oil Wick Holder Screw .....
50608 (819)	21267	Arm Hole Plug Screw (top of arm) for plugging hole used to assemble take-up oil wicks.....

No.	Plate	Name
50741 (805)	21277	Machine and Machine Base and Oil Reservoir Screw (for shipping purposes only).....
51283 (830)	8256	Machine Pulley Set Screw for 147139 and 147140.....
51369 (813)	8275	Arm Top Cover Screw.....
51369 (805)	21274	Oil Lead Screw.....
51614 (809)	21273	Pressure Regulating Thumb Screw Lock Nut.....
51649 (809)	21254	Knee Lifter Rock Shaft Crank Adjusting Screw Lock Nut for 143282.....
52083	21275	Thread Take-up Spring Regulator with 50305 (803), for 147499.....
52171	21272	Needle Bar Bushing (lower) Thread Eyelet.....
52239	21257	Arm Spool Pin and Thread Eyelet.....
62527	21270	Presser Foot Hinge Pin for 161066.....
62926	21270	Presser Foot Shank for 161066.....
64519	8256	Arm Top Cover Stitch Regulator Plunger Spring for 147013 and 147014.....
120440	8268	Screw Driver (Accessories).....
121741	8268	One Quart can filled with light grade stainless oil (Accessories).....
125320	21276	Rotating Hook Bobbin Case Latch Lever for 40393.....
140228 (830)	21271	Feed Lifting Rock Shaft Crank (back) Clamping Screw for 149074.....
140228 (830)	21271	Feed Rock Shaft Crank Clamping Screw for 146099.....
140230 (803)	21267	Feed Lifting Rock Shaft Connecting Rod Hinge Screw.....
140230 (803)	21267	Feed Rock Shaft Connecting Rod Hinge Screw.....
140231 (803)	21272	Needle Bar Connecting Link Cap Screw for 147197.....
140232 (819)	21267	Oil Wick Holder Screw.....
140239 (830)	21272	Needle Set Screw for 147162.....
140256 (830)	21267	Feed Eccentric Stop Screw (7 stitch)....
140257 (830)	21267	Feed Eccentric Stop Screw (5 1/2 stitch)...
140258 (830)	21267	Feed Eccentric Stop Screw (14 stitch)...
140259 (830)	21276	Rotating Hook Shaft Bushing (back) Set Screw.....
140279 (830)	21267	Arm Shaft (horizontal) Flanged Bushing (front) Set Screw.....
140296 (830)	21267	Arm Shaft (horizontal) Bushing (center) Set Screw.....
140297 (830)	21267	Arm Shaft (horizontal) Flanged Bushing (back) Set Screw.....
140298 (830)	21267	Arm Shaft (upright) Bushing (lower) Set Screw.....
140315 (805)	21257	Arm Screw Stud (back).....
140333 (830)	21267	Feed Lifting Eccentric Position Screw for 147473.....
140343 (805)	21277	Machine and Machine Base and Oil Reservoir Screw Hole Plug Screw....

No.	Plate	Name
140350 (830)	21254	Knee Lifter Rock Shaft Crank Adjusting Screw for 143282.....
140351 (830)	21254	Knee Lifter Rock Shaft Crank Clamping Screw for 147482.....
140351 (830)	21254	Knee Lifter Rock Shaft Knee Arm Hub Clamping Screw for 147489.....
140351 (830)	21254	Knee Lifter Rock Shaft Stop Dog Clamping Screw for 147483.....
140359 (805)	21271	Feed Lifting Rock Shaft Oil Plug Screw for 147358.....
140359 (805)	21271	Feed Rock Shaft Oil Plug Screw for 147359.....
140542 (830)	21267	Needle Bar Crank Position Screw for 147352.....
140549 (805)	21267	Stitch Regulator Locking Slide Spring Screw for 143134.....
140551 (803)	21276	Rotating Hook Oil Flow Regulating Thumb Screw.....
140553 (805)	21268	Oil Removing Wick (head end) Holder Body Hinge Screw for 147056.....
140568 (830)	21267	Feed Eccentric Stop Screw (8 stitch)....
140607 (819)	8256	NOTE: No. 140568 is regularly furnished with this Machine. Arm Top Cover Stitch Regulator Plunger Hole Plug Screw (for plugging the Plunger Hole when the Plunger is removed to prevent tampering with the stitch set).....
140609 (830)	21267	Thread Take-up Crank Clamping Screw for 147352.....
140610 (819)	21267	Thread Take-up Crank Clamping Screw Hole Plug Screw.....
140640 (805)	21267	Arm Shaft (horizontal) Screw Plug (front).....
140705 (805)	21257	Arm Screw (back).....
140706 (803)	21272	Needle Bar Connecting Stud Clamping Screw for 143326.....
140737 (803)	21254	Knee Lifter Rock Shaft Knee Arm Set Screw for 147489.....
140788 (805)	21271	Feed Bar Hinge Pin Clamping Screw for 147355.....
140873 (803)	21275	Tension Stud for 149012.....
140915 (830)	21271	Feed Lifting Rock Shaft Crank (front) Clamping Screw for 147290.....
140941 (803)	21269	Bell Crank Hinge Screw for 147479.....
143013	21267	Arm Shaft (upright).....
143014	21267	Arm Shaft (upright) Bevel Gear (lower) right hand spiral with two 1259 (830) for 143295.....
NOTE:		To ensure proper functioning of Gears, No. 143014 will not be supplied separately to Agencies, but will be substituted by Pair of Gears No. 143295.

No.	Plate	Name
143015	21267	Arm Shaft (upright) Bevel Gear (upper) left hand spiral with two 1259 (830), for 147469 and 147476.....
	NOTE:	To ensure proper functioning of Gears No. 143015 will not be supplied separately to Agencies, but will be substituted by Pair of Gears No. 147476.
143016	21267	Arm Shaft (upright) Bushing (lower).....
143024	21257	Bed Hole Plug .....
143031	21271	Feed Bar Carrier Oil Wick for 147024...
143032	21271	Feed Bar Carrier Oil Wick Holder for 147024 .....
143040	21267	Feed Lifting Rock Shaft Connecting Rod for 147469 .....
143042	21276	Rotating Hook Shaft Oil Filter Wick for 143350 .....
143049	21267	Feed Rock Shaft Connecting Rod for 147469 .....
143052	21271	Feed Lifting Rock Shaft and Feed Rock Shaft Oil Wick Holder .....
143056	21272	Needle Bar Connecting Link Roller Bearing for 147197 and 147386.....
143056	21272	Thread Take-up Lever Roller Bearing for 147197 and 147386.....
143058	21272	Needle Bar Connecting Stud Slide Block for 147197.....
143061	21274	Oil Flow Body Gasket.....
143062	21274	Oil Flow Window .....
143063	21274	Oil Flow Window Cap .....
143064	21274	Oil Pipe for 147106 .....
143065	21274	Oil Pipe Clamping Sleeve for 147106.....
143066	21274	Oil Pipe Clamping Sleeve Nut for 147106..
143070	21274	Oil Pump (centrifugal) Body with 143126.
143071	21274	Oil Pump (centrifugal) Body Position Pin
143072	21274	Oil Pump (centrifugal) Cover.....
143073	21274	Oil Pump (centrifugal) Impeller .....
143074	21274	Oil Pump (centrifugal) Screen .....
143075	21274	Oil Pump (centrifugal) Screen Frame....
143081	21276	Rotating Hook Shaft Bevel Gear (left hand spiral) with two 1259 (830), for 143295 .....
	NOTE:	To ensure proper functioning of Gears, No. 143081 will not be supplied separately to Agencies, but will be substituted by Pair of Gears No. 143295.
143082	21276	Rotating Hook Shaft Bushing (back).....
143085	21267	Stitch Regulator for 143134.....
143086	21267	Stitch Regulator Locking Slide for 143134
143087	21267	Stitch Regulator Locking Slide Ratchet Wheel for 147469 .....
143088	21267	Stitch Regulator Locking Slide Ratchet Wheel Pin for 147473.....
143108	21269	Presser Bar Lifting Lever Connecting Rod.....

No.	Plate	Name
143109	21269	Presser Bar Lifting Lever Connecting Rod Swivel.....
143124	21274	Oil Pipe Clamping Sleeve for 147361.....
143125	21274	Oil Pipe Clamping Sleeve Nut .....
143126	21274	Oil Pipe Clamping Sleeve Nut Adaptor for 143070 .....
143134	-----	Stitch Regulator 143085 with 140549 (805), 143086 and 143378, for 147469 .....
143191	21269	Presser Bar Lifting Lever Connecting Rod Oil Mist Retaining Disc (felt).....
143196	21268	Needle Bar Oil Wick for 147296.....
143236	21271	Feed Lifting Rock Shaft Oil Plug Screw Washer (fiber) for 147358.....
143236	21271	Feed Rock Shaft Oil Plug Screw Washer (fiber) for 147359 .....
143244	8256	Arm Top Cover Spool Pin with Spool Rest, 3 1/2 in. long for 147014 .....
143268	21257	Bed Leg (back) .....
143280	21254	Knee Lifter Rock Shaft for 147481.....
143282	-----	Knee Lifter Rock Shaft Crank Adjusting Screw 140350 (830) with 51649 (809), for 147482.....
143295	-----	Pair of Gears for Lower Shaft, Nos. 143014 and 143081.....
143301	21276	Rotating Hook Oil Wick (felt) for 143340 ..
143308	8268	Machine Base and Oil Reservoir Cushion (Accessories) .....
143324	21272	Needle Bar Bushing (upper) .....
143326	21272	Needle Bar Connecting Stud with 140706 (803) for 147050 and 147197....
143336	21272	Needle Bar Bushing (lower) .....
143340	21276	Rotating Hook with 143301 and two 1253 (830), for 149053 .....
143342	21276	Rotating Hook 149053 with 143346, 149065 and three 1367 (805), for 143344.....
143344	21276	Rotating Hook 143342 with 149063 .....
143346	21276	Rotating Hook Bobbin Case Holder for 143342 .....
143349	21276	Rotating Hook Shaft Oil Filter Wick Holder for 143350 .....
143350	21276	Rotating Hook Shaft Oil Filter complete, for 147363, Nos. 143042 and 143349
143351	21276	Rotating Hook Wiper for 149053.....
143359	21277	Machine Base and Oil Reservoir Screw Retainer (for shipping purposes only)..
143360	21277	Machine Base and Oil Reservoir Screw Cotter Pin (for shipping purposes only)
143370	21274	Oil Lead.....
143378	21267	Stitch Regulator Locking Slide Spring for 143134.....
143382	21276	Rotating Hook Shaft Bushing (front).....

No.	Plate	Name
143383	21276	Rotating Hook Oil Flow Regulating Thumb Screw Spring.....
146057	8268	Wrench (socket) for 140609, Accessories
146099	21271	Feed Rock Shaft Crank with 140228 (830).
146511	8256	Arm Top Cover Stitch Regulator Plunger Stop Ring for 147013 and 147014.....
146552	21257	Arm Screw (front and intermediate).....
146591	21274	Oil Flow Body .....
146610	21269	Presser Bar Lifting Lever Spring.....
146698	21268	Oil Removing Wick (head end) Holder Body Spring for 147056 and 147108....
146700	21268	Oil Removing Wick (head end) Holder Body Stop and Spring Clip for 147056..
146745	21268	Oil Removing Wick (head end) Holder Body for 147056 and 147108.....
146790	21267	Arm Shaft (horizontal) Flanged Bushing (back) Oil Sump Tube .....
147005	21267	Arm Shaft (horizontal) Flanged Bushing (front) .....
147008	21268	Arm Side Shield Wick for 147086.....
147011	8275	Arm Top Cover for 147013 .....
147012	8256	Arm Top Cover for 147014 .....
147013	8275	Arm Top Cover with Stitch Regulator Plunger complete, Nos. 64519, 146511, 147011 and 147105.....
		NOTE: No. 147013 is regularly furnished with this Machine.
147014	8256	Arm Top Cover with Stitch Regulator Plunger complete, when a longer spool pin (3 1/2 in. long) is required, Nos. 64519, 143244, 146511, 147012 and 147105 .....
147015	8275	Arm Top Cover Gasket.....
147019	8280	Face Plate Gasket.....
147024	-----	Feed Bar Carrier Oil Wick Holder 143032 and 143031.....
147028	21271	Feed Lifting Rock Shaft Bushing.....
147029	21271	Feed Lifting Rock Shaft Collar with two 460 (830) .....
147029	21271	Feed Rock Shaft Collar with two 460 (830)
147035	21271	Feed Bar Connecting Link Oil Wick Holder for 147289 .....
147037	21271	Feed Lifting Rock Shaft Oil Wick (short) for 147358.....
147038	21271	Feed Lifting Rock Shaft Oil Wick (long) for 147358.....
147039	21271	Feed Lifting Rock Shaft Oil Wick for 147358 .....
147039	21271	Feed Rock Shaft Oil Wick for 147359.....
147042	21271	Feed Rock Shaft Bushing (back).....
147043	21271	Feed Rock Shaft Bushing (front).....
147045	21271	Feed Rock Shaft Oil Wick (short) for 147359 .....

No.	Plate	Name
147046	21271	Feed Rock Shaft Oil Wick (long) for 147359.....
147047	21271	Feed Lifting Rock Shaft Oil Wick Clamping Plate for 147358.....
147047	21271	Feed Rock Shaft Oil Wick Clamping Plate for 147359.....
147050	-----	Needle Bar Connecting Link 147492 with 143326.....
147053	21268	Needle Bar Connecting Stud Oil Wick for 147296 .....
147054	21268	Oil Removing Wick (head end) Hinge Plate and Cover for 147056 .....
147055	21268	Oil Removing Wick (head end) Hinge Plate and Cover Gasket for 147056....
147056	21268	Oil Removing Wick (head end) Holder Body complete, Nos. 228 (805), 140553 (805), 146698, 146800, 146745, 147054, 147055 and 147107.....
147057	21273	Presser Bar (hollow) .....
147058	21273	Presser Bar Bushing (lower) .....
		NOTE: No. 143184 is used in place of No. 147058 when using Quilter or Finger Guards.
147060	21269	Presser Bar Lifter .....
147062	21269	Presser Bar Lifting Lever Pin.....
147069	21275	Thread Guard (side of arm).....
147070	21267	Thread Take-up Crank Clamping Screw Hole Plug Screw Gasket .....
147073	21272	Thread Take-up Lever Link Hinge Stud for 147075.....
147074	21272	Thread Take-up Lever Link Hinge Stud Oil Wick for 147075.....
147075	-----	Thread Take-up Lever Link Hinge Stud 147073 with 147074, for 147186 .....
147077	8280	Thread Take-up Lever Guard Gasket ...
147079	21272	Thread Take-up Lever Thread Eyelet Bushing for 147186, 147197 and 147386
147085	21268	Arm Side Shield for 147086.....
147086	21268	Arm Side Shield complete, Nos. 16709, 147008 and 147085.....
147090	21275	Thread Eyelet (side of arm).....
147091	21273	Pressure Regulating Thumb Screw and Presser Bar Guide .....
147092	8256	Stitch Length Indicator Plate.....
147096	8280	Face Plate .....
147105	8256	Arm Top Cover Stitch Regulator Plunger for 147013 and 147014.....
147106	21274	Oil Pipe complete from Oil Pump to Arm Shaft (horizontal) Center Bearing, Nos. 143064, 143065 and 143066 .....
147107	21268	Oil Removing Wick (head end) for 147056 and 147108 .....
147108	-----	Oil Removing Wick (head end) Holder Body 146745 with 146698 and 147107..



No.	Plate	Name	No.
147109	21267	Arm Shaft (horizontal) Screw Plug (front) Washer (fiber).....	147352
147111	21267	Arm Shaft (upright) Bushing (upper).....	
147112	21267	Arm Shaft (horizontal) Flanged Bushing (back).....	*147353
147131	21276	Rotating Hook Shaft Oil Retaining Collar with two 50429 (830), for 147364.....	
147139	8256	Machine Pulley, small rim diam. (disc power) "V" belt groove 2.9 in. diam., with two 51283 (830).....	147355
	NOTE:	No. 147139 is regularly furnished.	147356
147140	8256	Machine Pulley, large rim diam. (disc power) "V" belt groove 2.9 in. diam., with two 51283 (830).....	147358
147141	21267	Oil Wick, 11 in. long for oiling Take-up Lever, Take-up Lever Link, Needle Bar Connecting Link and Thread Take-up Lever Link Hinge Bearing for 147144	147359
147144	21267	Oil Wick Holder with two 147141.....	147360
147156	8280	Thread Take-up Lever Guard.....	147361
147158	21270	Throat Plate (small needle hole).....	
147159	21275	Tension Releasing Lever Body for 147160.	147362
147160	-----	Tension Releasing Lever (adjustable) 147159 with 50123 (819) and 147161....	147363
147161	21275	Tension Releasing Lever Segment for 147160.....	147364
147162	21272	Needle Bar (hollow) with 140239 (830)....	147367
147166	21273	Slack Thread Regulator.....	147368
147186	21272	Thread Take-up Crank, Thread Take-up Lever with 147079, Thread Take-up Lever Link and Thread Take-up Lever Link Hinge Stud complete, Nos. 147075 and 147197.....	147372
147193	21272	Thread Take-up Crank Wearing Plate for 147197 and 147386.....	147373
147197	-----	Thread Take-up Crank Thread Take-up Lever with 147079 and Thread Take-up Lever Link with 140231 (803), 143058, 143326, 147193, 147492 and thirty-six 143056, for 147186.....	147386
147288	21271	Feed Bar Connecting Link Oil Wick for 147289.....	147468
147289	-----	Feed Bar Connecting Link Oil Wick Holder 147035 with 147288.....	147469
147290	21271	Feed Lifting Rock Shaft Crank (front) with 140915 (830) for 147471.....	147470
147291	21273	Presser Bar Spring.....	147471
147296	21268	Thread Take-up Lever Oil Guard with 143196 and 147053.....	147472
*147350	-----	Arm.....	147473
	NOTE:	Due to the accuracy required for gear alignment, Arm cannot be supplied separately and can only be sent out as a unit, Arm and Bed assembled.	147475

Plate	Name
21267	Arm Shaft (horizontal) with Needle Bar Crank with 1036 (830), 140542 (830) and 140609 (830).....
-----	Bed.....
NOTE:	Due to the accuracy required for gear alignment, Bed cannot be supplied separately and can only be sent out as a unit, Arm and Bed assembled.
21271	Feed Bar Carrier with two each 158 (805) and 140788 (805), for 147471.....
21271	Feed Bar Hinge Pin (eccentric) for 147471
21271	Feed Lifting Rock Shaft Nos. 197 (805), 140359 (805), 143236, 147038, 147039, 147047 and two 147037.....
21271	Feed Rock Shaft Nos. 197 (805), 140359 (805), 143236, 147039, 147047 and two 147045.....
21274	Oil Pipe for oiling Rotating Hook Shaft (front) Bearing for 147361.....
-----	Oil Pipe 147360 with 143124 for oiling Rotating Hook Shaft (front) Bearing....
21269	Presser Bar Lifting Lever with 448 (830)
21276	Rotating Hook Shaft with 143350, for 147364.....
-----	Rotating Hook Shaft 147363 with 147131....
21277	Machine Base and Oil Reservoir.....
21277	Machine Base and Oil Reservoir Gasket (cork).....
21273	Presser Bar Lifting Bracket.....
21273	Presser Bar Lifting Lever Link.....
-----	Thread Take-up Crank, Thread Take-up Lever with 147079 and Thread Take-up Lever Link with 147193 and eighteen 143056.....
21267	Arm Shaft (horizontal) Thrust Collar with two 457 (830).....
-----	Combination of Feed and*Stitch Regulator Parts, Nos. 143015, 143040, 143049, 143087, 143134, 147472 and 147473....
21271	Feed Bar for 147471.....
-----	Feed Bar 147470 with 147290, 147355, 147356, 272110 and two 1423 (803).....
21267	Feed Eccentric with 1375 (830) and two 1036 (830) for 147469.....
-----	Feed Lifting Eccentric and Arm Shaft (horizontal) Bevel Gear, right hand spiral with 1259 (830), 140333 (830) and 143088, for 147469 and 147476.....
NOTE:	To ensure proper functioning of Gears, No. 147473 will not be supplied separately to Agencies but will be substituted by Pair of Gears No. 147476.
21276	Rotating Hook Bobbin Case Holder Position Bracket.....

No.	Plate	Name
147476	-----	Pair of Gears for Upper Shaft, Nos. 143015 and 147473.....
147477	21269	Bell Crank for 147479 .....
147478	21269	Bell Crank Bracket for 147479.....
147479	-----	Bell Crank complete, Nos. 1650 (819), 140941 (803), 147477 and 147478.....
147480	21277	Knee Lifter Bell Crank Plunger.....
147481	-----	Knee Lifter Rock Shaft 143280 with 147482, 147483 and 147485, for 147484
147482	21254	Knee Lifter Rock Shaft Crank with 140351 (830) and 143282, for 147481 ..
147483	21254	Knee Lifter Rock Shaft Stop Dog with 140351 (830), for 147481 .....
147484	21254	Knee Lifter Rock Shaft complete, Nos. 147481 and 147488 .....
147485	21254	Knee Lifter Rock Shaft Spring for 147481.
147486	21267	Arm Shaft (horizontal) Bushing (center).
147487	21254	Knee Lifter Rock Shaft Knee Arm for 147488.....
147488	-----	Knee Lifter Rock Shaft Knee Arm complete, for 147484, Nos. 2767, 147487 and 147489.....
147489	21254	Knee Lifter Rock Shaft Knee Arm Hub with 140351 (830) and 140737 (803), for 147488.....
147492	21272	Needle Bar Connecting Link for 147050 and 147197 .....
147496	21275	Pre Tension Body with 460 (830), for 147498.....
147497	21275	Pre Tension Stud for 147498.....
147498	21275	Pre Tension complete, Nos. 147496, 147497, 210958, 210993 and 272208 ...
147499	21275	Tension (rotary) complete, Nos. 52083, 147500, 149012, 270086, 272218, 272219, 272220, 272221 and two 202079
147500	21275	Thread Take-up Spring for 147499 .....
149012	-----	Tension Stud 140873 (803) with 1560 (803)
149053	21276	Rotating Hook 143340 and 143351, 149066 and four 1053 (805), for 143342 and 149055.....
149055	-----	Rotating Hook 149053 with 149065 and three 1367 (805) .....
149057	21270	Feed Dog 21 teeth (22 teeth to the inch)..
149060	21276	Rotating Hook Bobbin Case for 149061...
149061	-----	Rotating Hook Bobbin Case 149060 with 591 (806), 1380 (805) and 40394, for 149063.....
149063	21276	Rotating Hook Bobbin Case complete, for 143344, Nos. 592 (805), 2974, 2975, 40392, 125320 and 149061.....
149065	21276	Rotating Hook Section for 143342 and 149055 .....
149066	21276	Rotating Hook Thread Guard for 149053 ..
149074	21271	Feed Lifting Rock Shaft Crank (back) with 140228 (830).....

No.	Plate	Name
149107	21273	Presser Bar Guide Bracket with 50203 (830).....
150203	24193	Thread Unwinder Spool Rest Cushion (felt) for 228776 .....
161065	21270	Presser Foot Plate for 161066.....
161066	21270	Presser Foot (spring hinged) complete, Nos. 62527, 62926, 161065 and 161160.
161160	21270	Presser Foot Spring for 161066.....
200056 (805)	23253	Bobbin Winder Stop Latch Screw for 259431 and 259462 .....
200082 (804)	23253	Bobbin Winder Tension Bracket Screw for 259431 and 259462 .....
200113 (806)	23253	Bobbin Winder Brake Clamp Screw for 259431 and 259462.....
200299 (819)	23253	Bobbin Winder Stop Latch Trip Lever Hinge Screw for 259431 and 259462....
200380 (803)	23253	Bobbin Winder Pulley Set Screw for 225368 and 259461.....
201254 (803)	24193	Thread Unwinder Spool Rest Set Screw for 228766.....
201499 (819)	23253	Bobbin Winder Tension Stud for 225461..
201572 (819)	23253	Bobbin Winder Tension Stud Thumb Nut for 225462 .....
202079	21275	Tension Washer (felt) for 147499 .....
202277	23253	Bobbin Winder Frame Oil Packing (wick) for 225453.....
202478	23253	Bobbin Winder Stop Latch Trip Lever for 259431 and 259462 .....
210958	21275	Pre Tension Stud Collar for 147498 .....
210993	21275	Pre Tension Sleeve for 147498.....
225368	23253	Bobbin Winder Pulley with 200380 (803), for 259431.....
225381	23253	Bobbin Winder Spindle for 259431 and 259462.....
225390	-----	Thread Unwinder Thread Cone Holder for inverted cones.....
225444	23253	Bobbin Winder Stop Latch for 259431 and 259462.....
225453	23253	Bobbin Winder Frame with 202277 and 259660, for 259431 and 259462.....
225454	23253	Bobbin Winder Frame Hinge Pin for 259431 and 259462.....
225455	23253	Bobbin Winder Frame Spring for 259431 and 259462 .....
225456	23253	Bobbin Winder Frame Spring Plunger for 259431 and 259462.....
225458	23253	Bobbin Winder Stop Latch Thumb Lever for 259431 and 259462 .....
225459	23253	Bobbin winder Stop Latch Thumb Lever Hinge Stud for 259431 and 259462 .....
225459	23253	Bobbin Winder Stop Latch Thumb Lever Joint Stud for 259431 and 259462.....

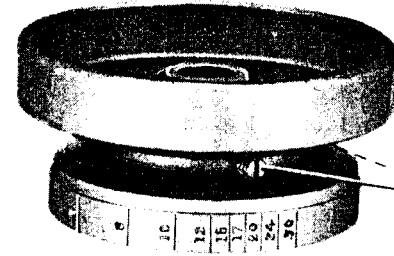
NOTE: No. 225390 is used with \* but not included in 228776.

No.	Plate	Name
225461	23253	Tension Bracket with 201499 (819), for 225462.....
225462	23253	Bobbin Winder Tension Bracket complete, for 259431 and 259462, Nos. 13710, 201572 (819), 225461 and two 2102.....
228026	23253	Bobbin Winder Tension Bracket Screw Washer for 259431 and 259462.....
228476	8268	Screw Driver (Accessories).....
228764	24193	Thread Unwinder Spool Pin for 228776 ...
228766	24193	Thread Unwinder Spool Rest with 201254 (803), for 228776.....
228767	24193	Thread Unwinder Spool Rest Rod for 228776.....
228768	24193	Thread Unwinder Spool Stand for 228776..
228769	24193	Thread Unwinder Thread Guide for 228776.....
228770	24193	Thread Unwinder Thread Guide Holder for 228776.....
228774	24193	Thread Unwinder Thread Guide Rod for 228776.....
228776	24193	Thread Unwinder complete, for two spools, Nos. 228766, 228767, 228768, 228770, 228774, two each 150203, 228764, 228769 and three wood screws 7/8 in. No. 12.....
259428	23253	Bobbin Winder Brake (leather) for 259431 and 259462.....
259429	23253	Bobbin Winder Brake Clamp for 259431 and 259462.....
259430	23253	Bobbin Winder and Tension Bracket Base for 259431.....
259431	23253	Bobbin Winder (round belt) complete, Nos. 200056 (805), 200082 (804), 200113 (806), 200299 (819), 202478, 225368, 225381, 225444, 225453, 225454, 225455, 225456, 225458, 225462, 228026, 259428, 259429, 259430 and two each 225459 and wood screws 3/4 in. No. 12 R.H.B....
259461	23253	Bobbin Winder Pulley with 200380 (803), for 259462.....
259462	23253	Bobbin Winder complete, for "V" belt drive, Nos. 200056 (805), 200082 (804), 200113 (806), 200299 (819), 202478, 225381, 225444, 225453, 225454, 225455, 225456, 225458, 225462, 228026, 259428, 259429, 259461, 259662, two each 225459 and wood screws 3/4 in. No. 12 R.H.B.....
259477	8268	Screw Driver 5 in. long (Accessories)...
259660	23253	Bobbin Winder Frame Oil Well Washer for 225453.....
259662	23253	Bobbin Winder and Tension Bracket Base for 259462.....

No.	Plate	Name
270010	21276	Rotating Hook Bobbin.....
270086	21275	Tension Releasing Pin for 147499.....
272110	21271	Feed Bar Connecting Link for 147471....
272111	21271	Feed Bar Connecting Link Oil Wick Clamp
272208	21275	Pre Tension Spring for 147498.....
272218	21275	Tension Releasing Disc for 147499.....
272219	21275	Tension Spring for 147499.....
272220	21275	Tension Washer (steel) for 147499.....
272221	21275	Tension Washer (rotary) for 147499.....

8256.1/2

147139

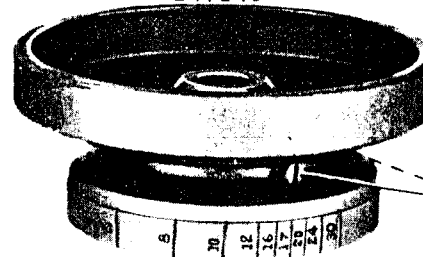


140607X



51283AL

147140



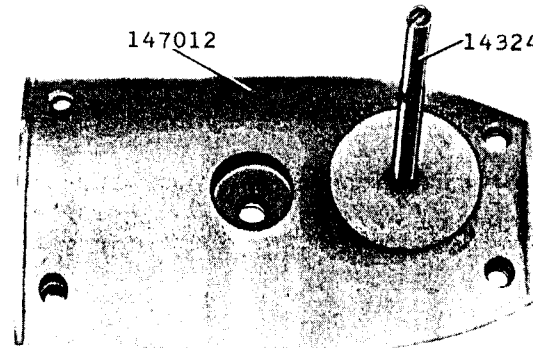
147092



51283AL

147014

147012



143244

146511

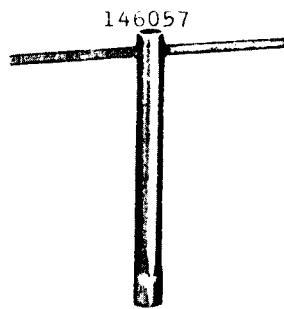
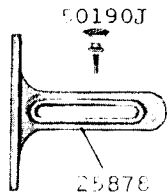
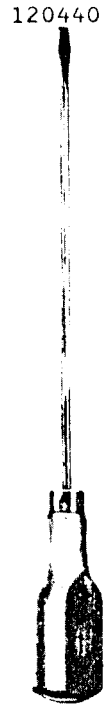
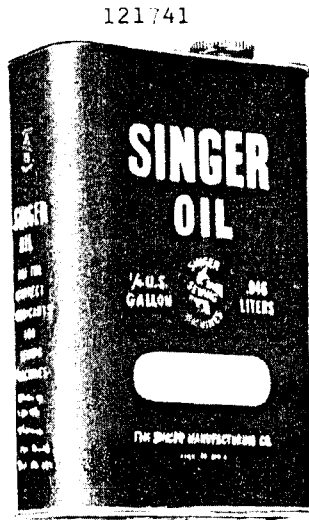


64519

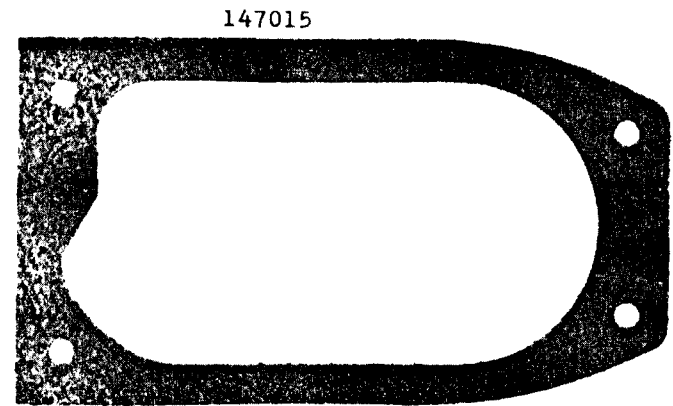
147105



8268-1/2



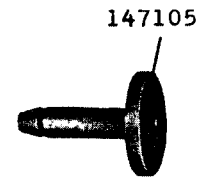
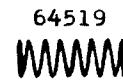
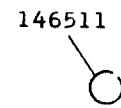
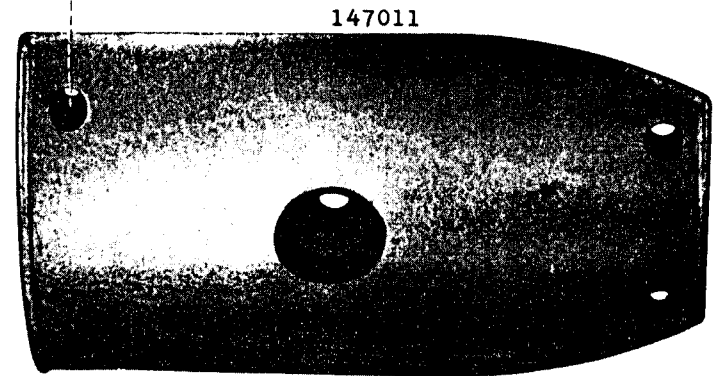
8275-2/3



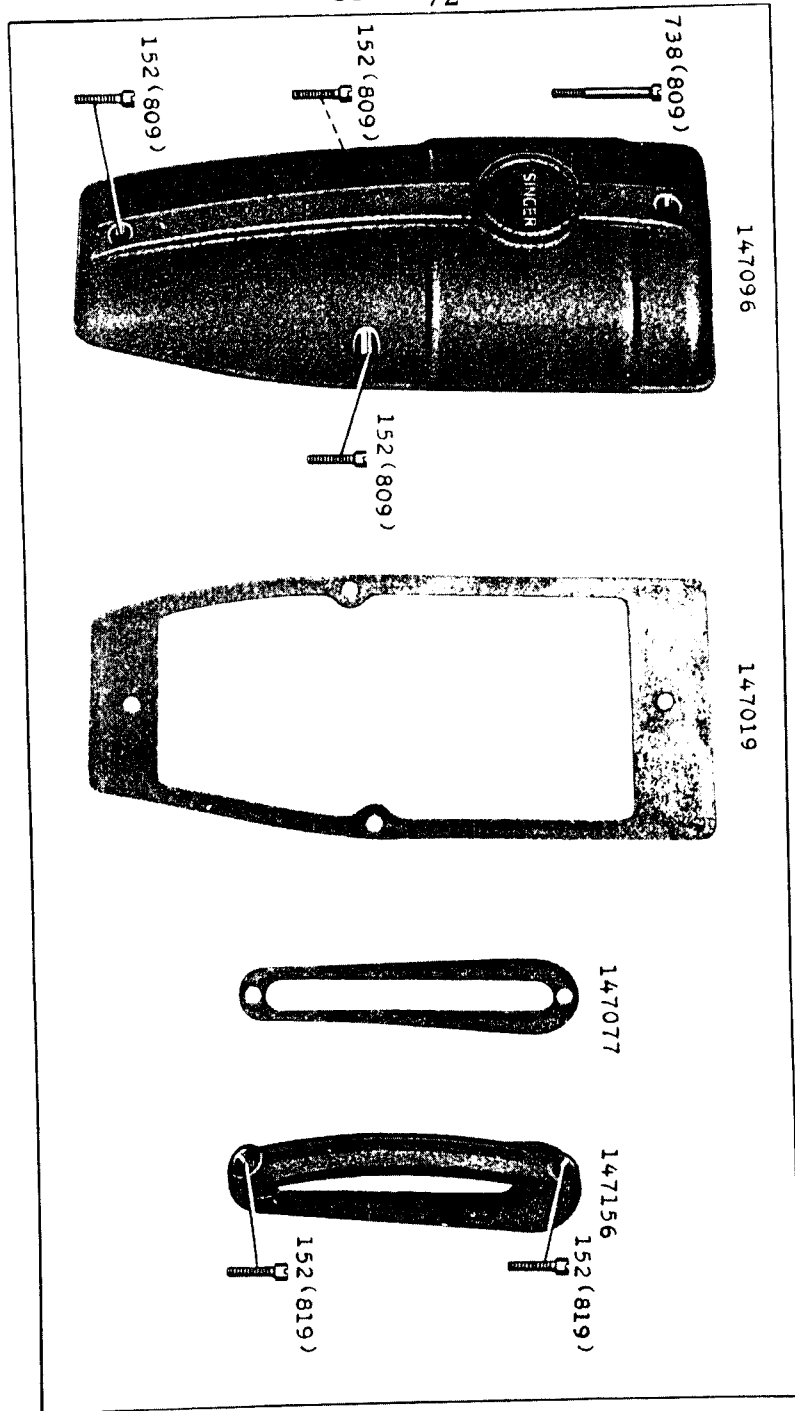
51369 (813)



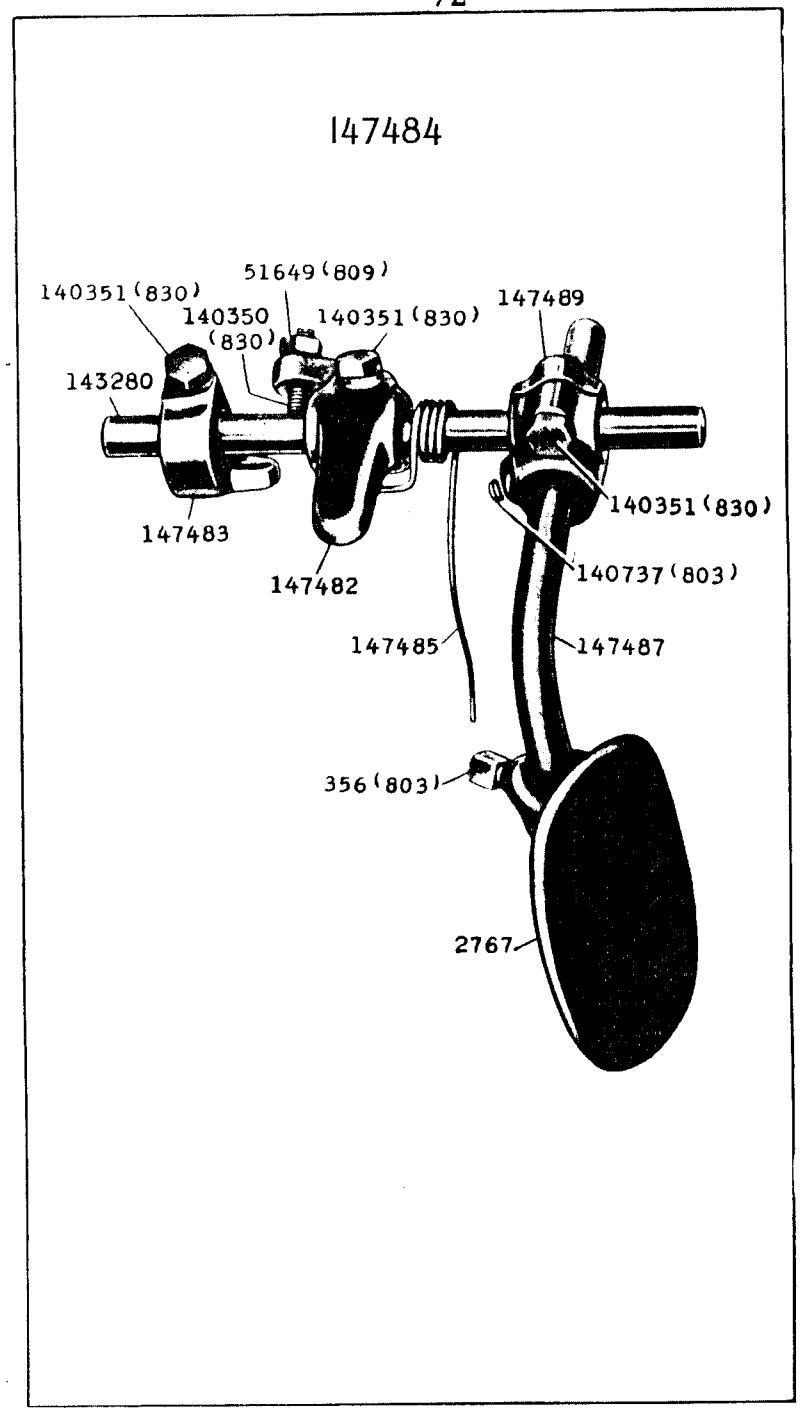
147013



8280-1/2



21254-1/2

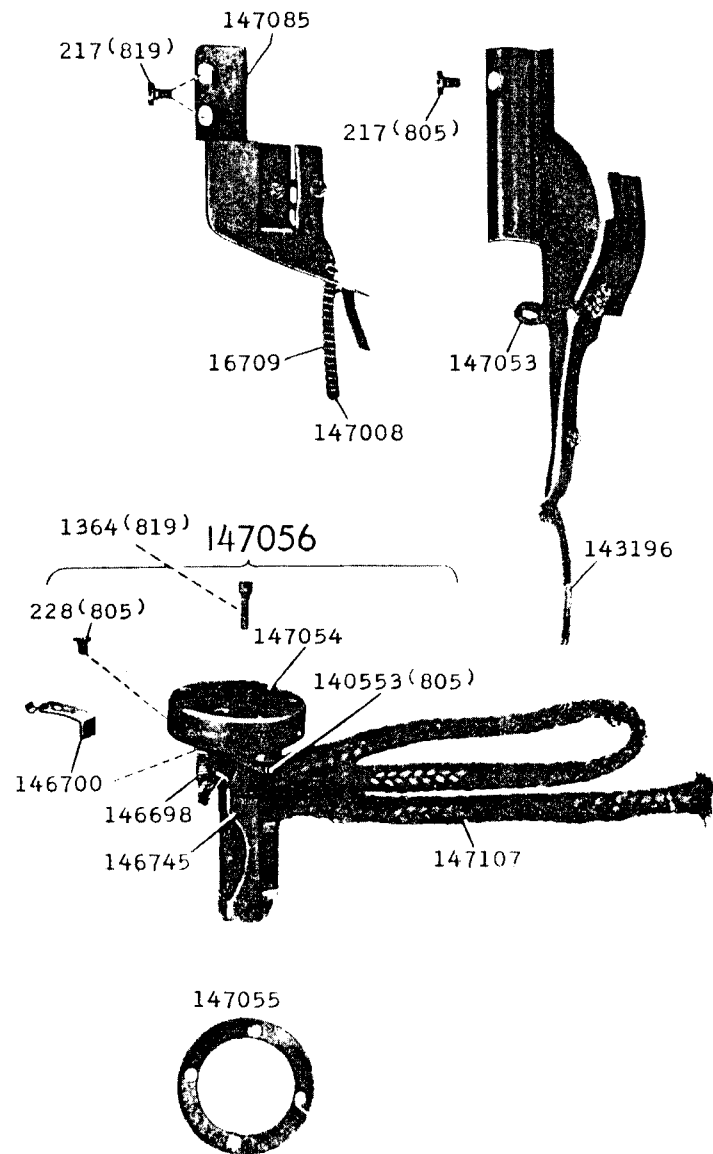




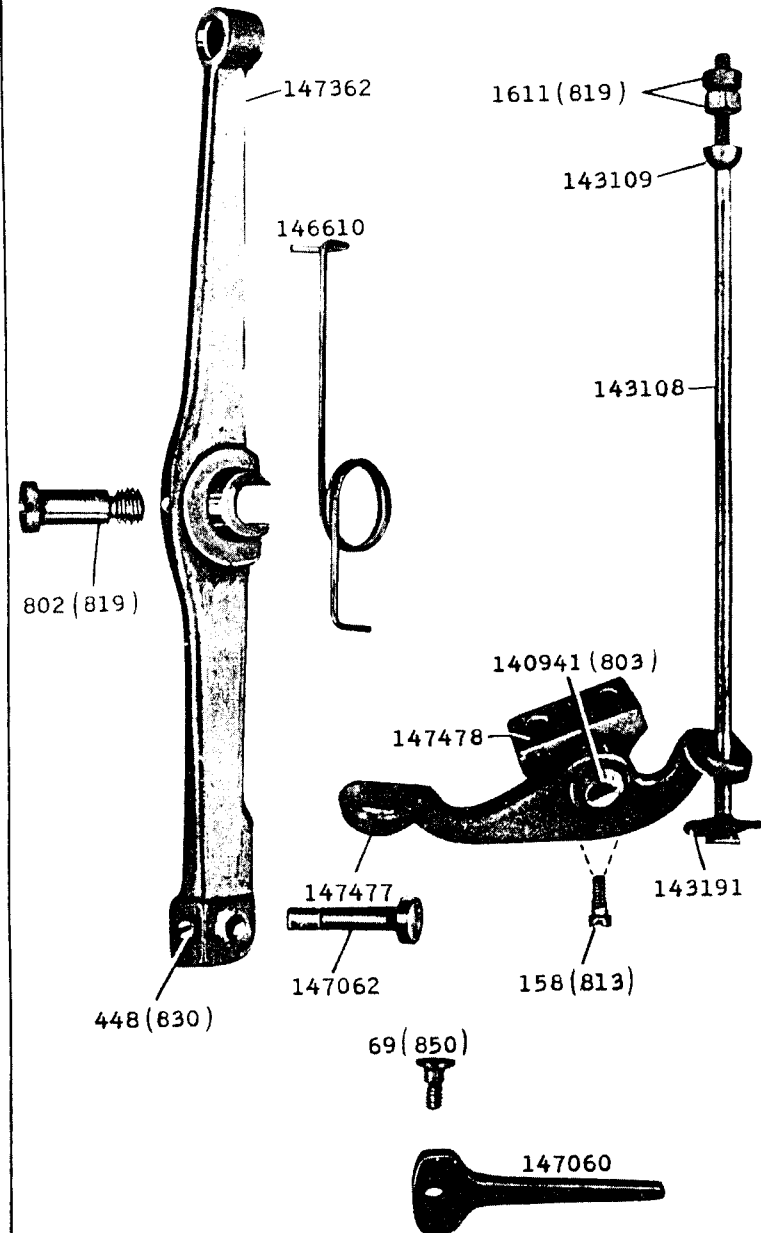
21268-1/2

147086

147296



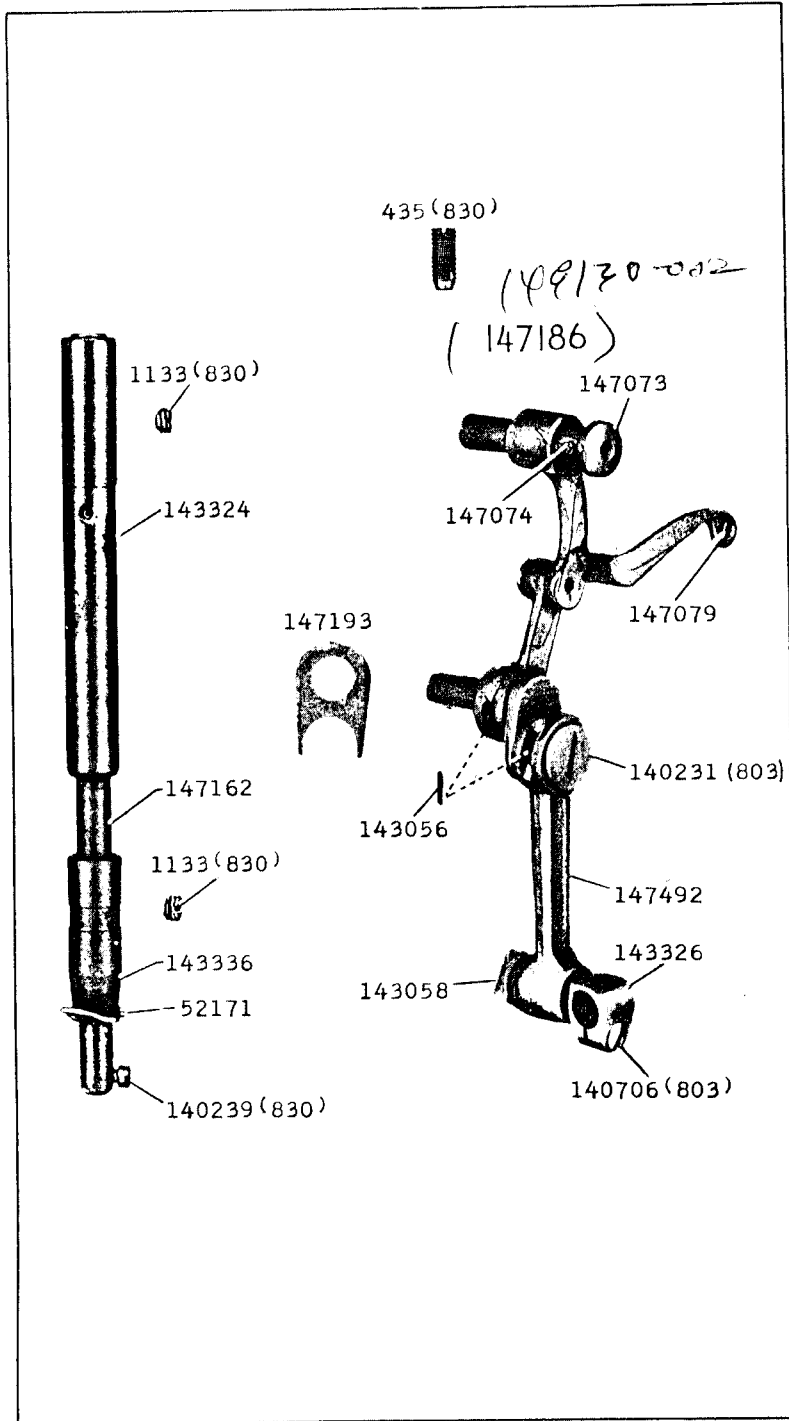
21269-1/2



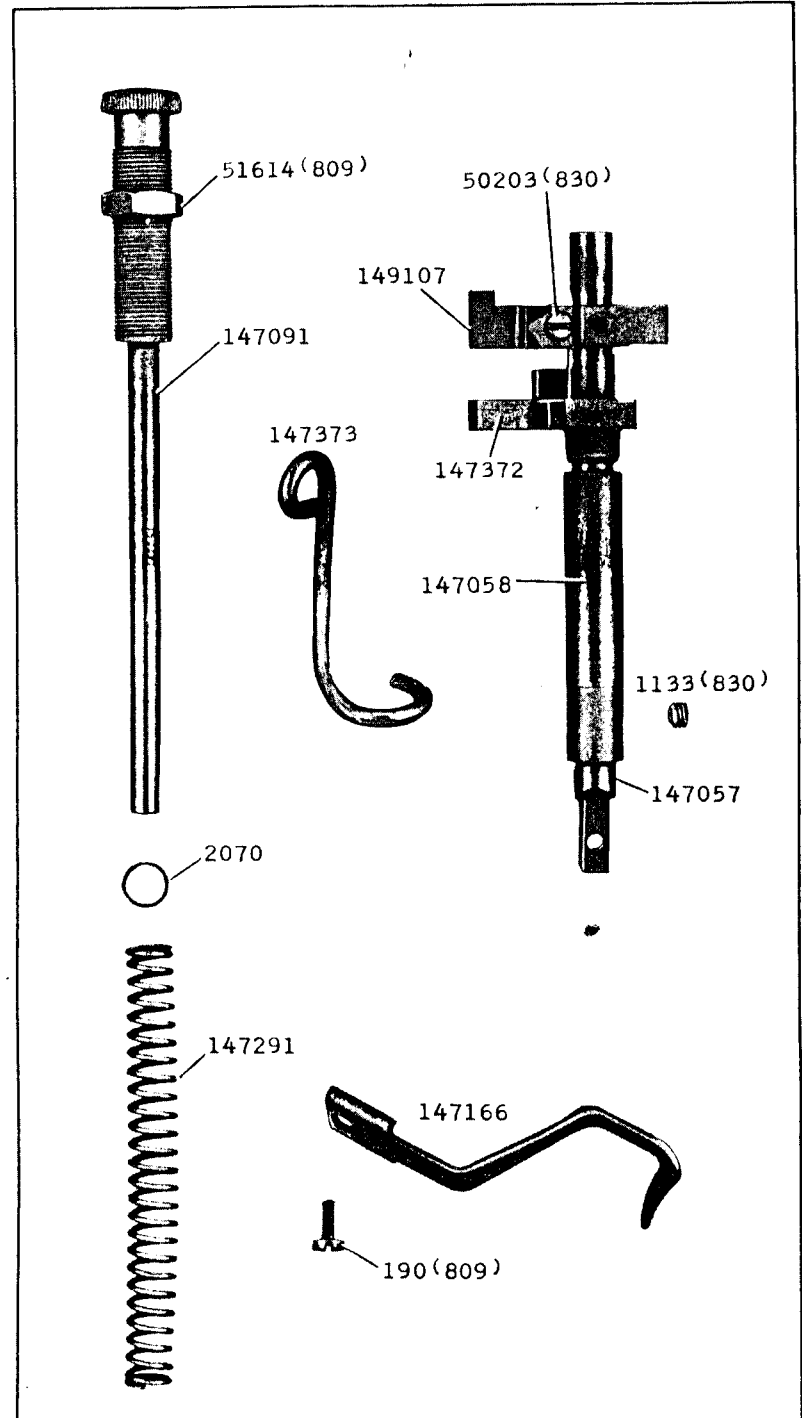




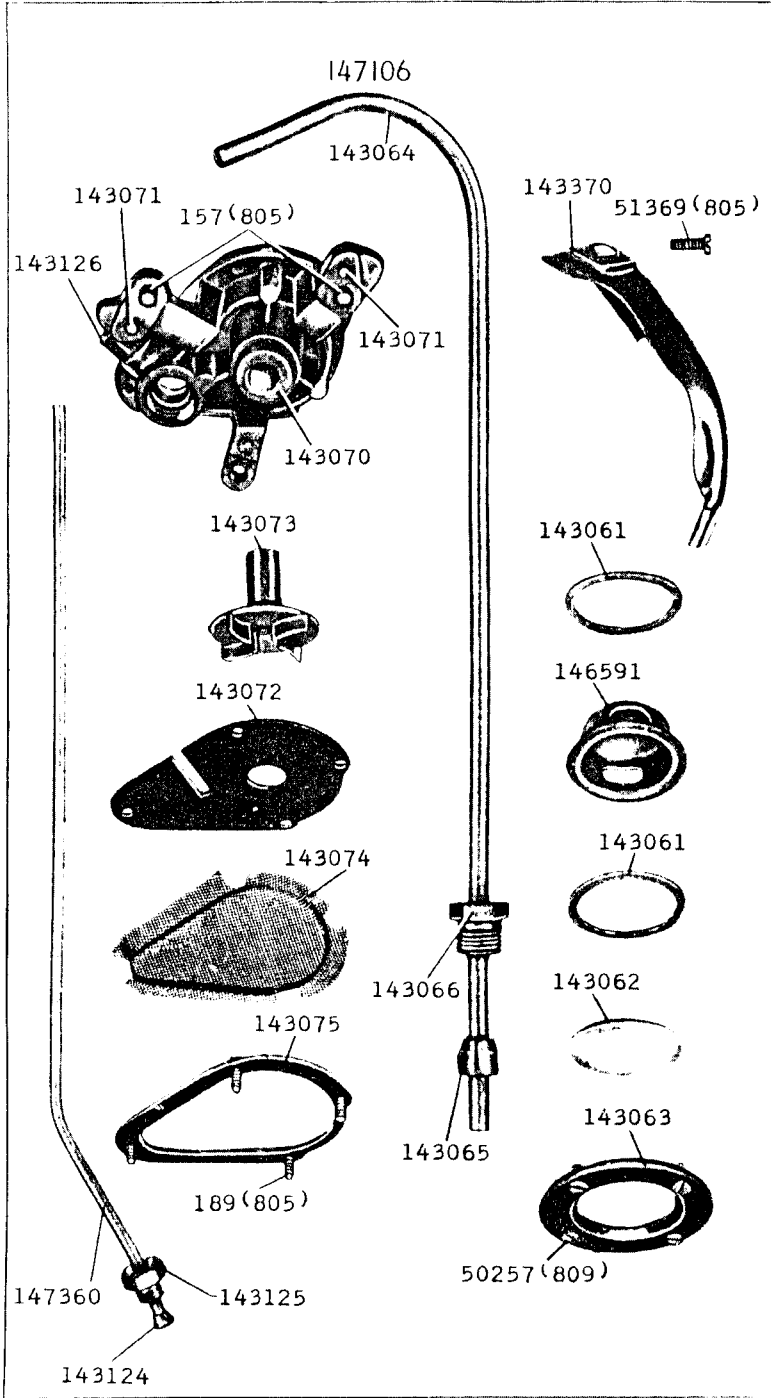
21272-2/3



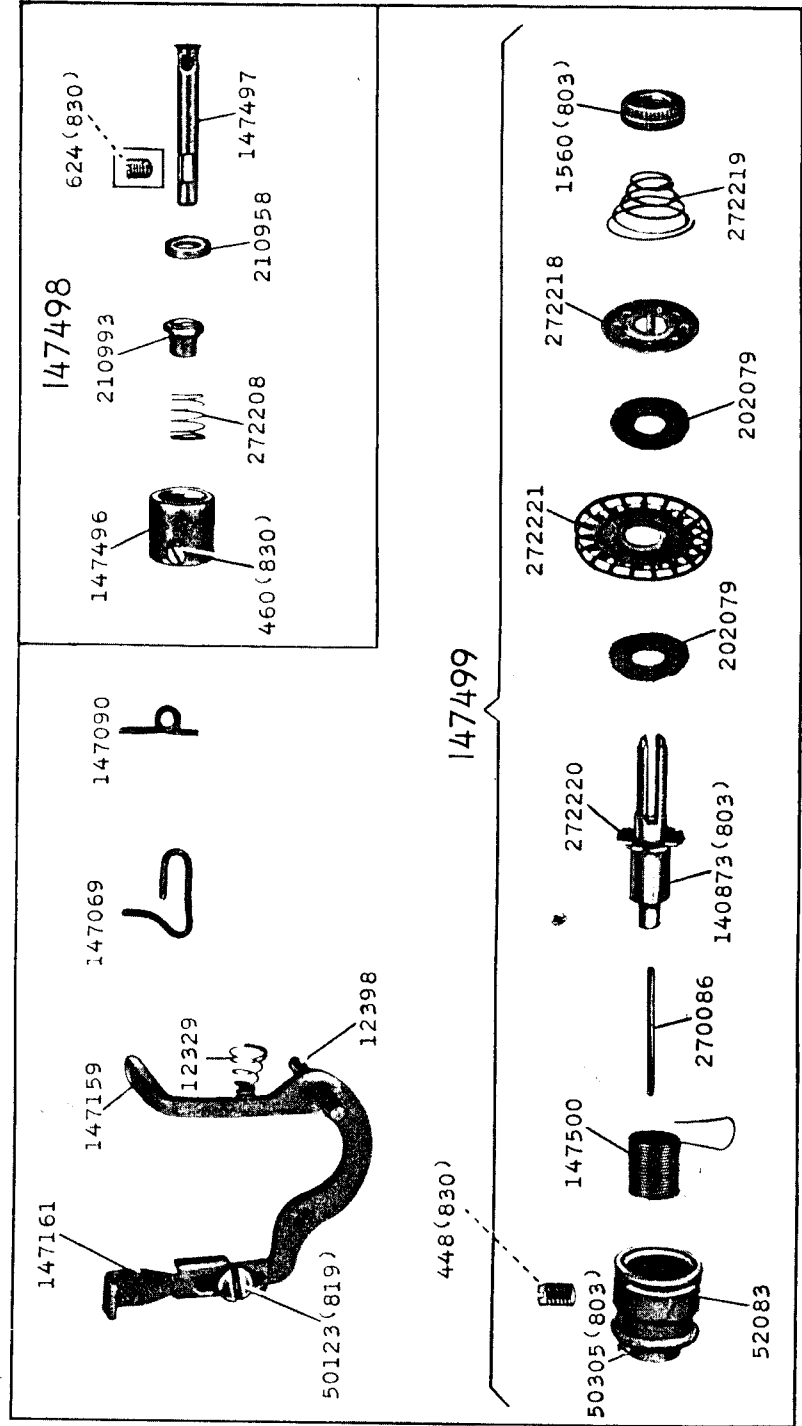
21273-2/3

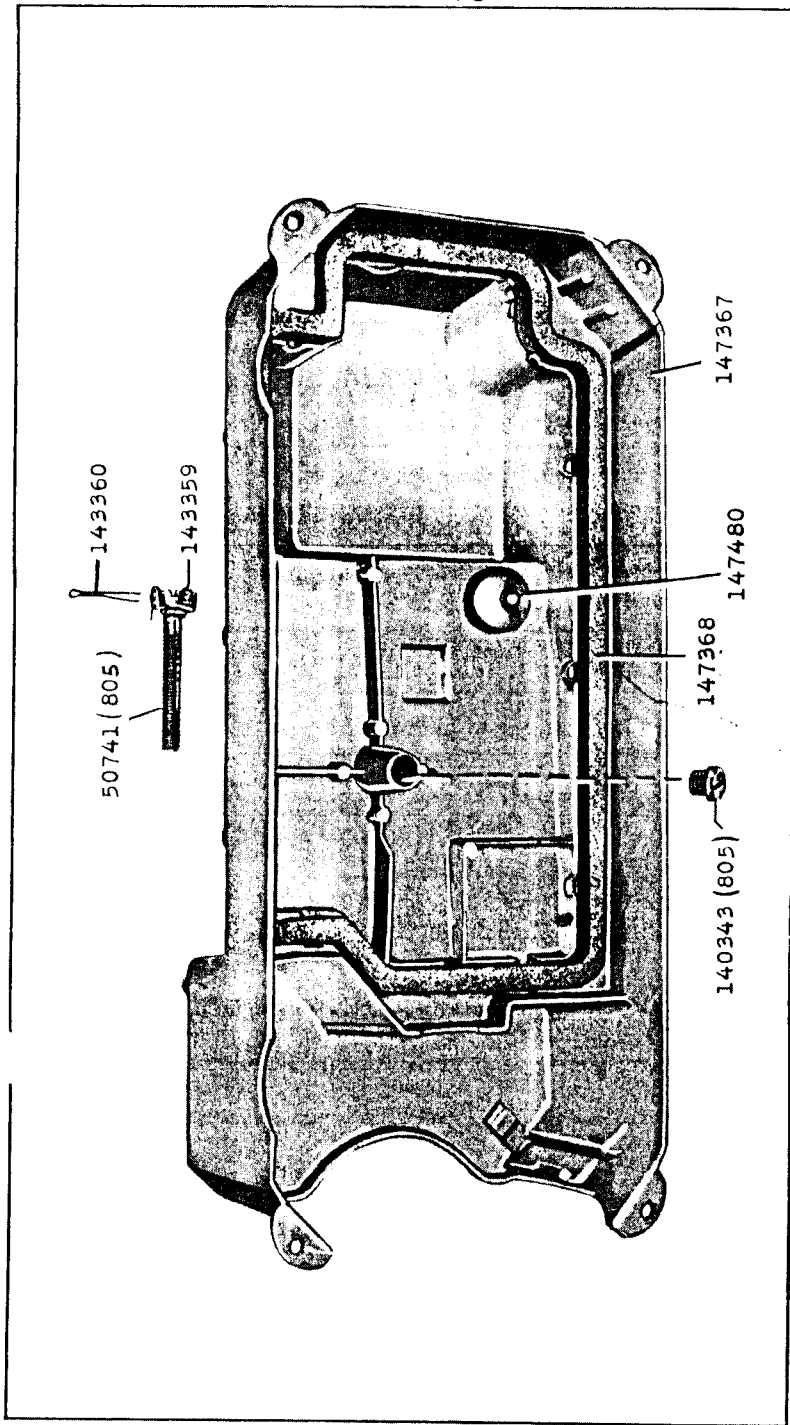
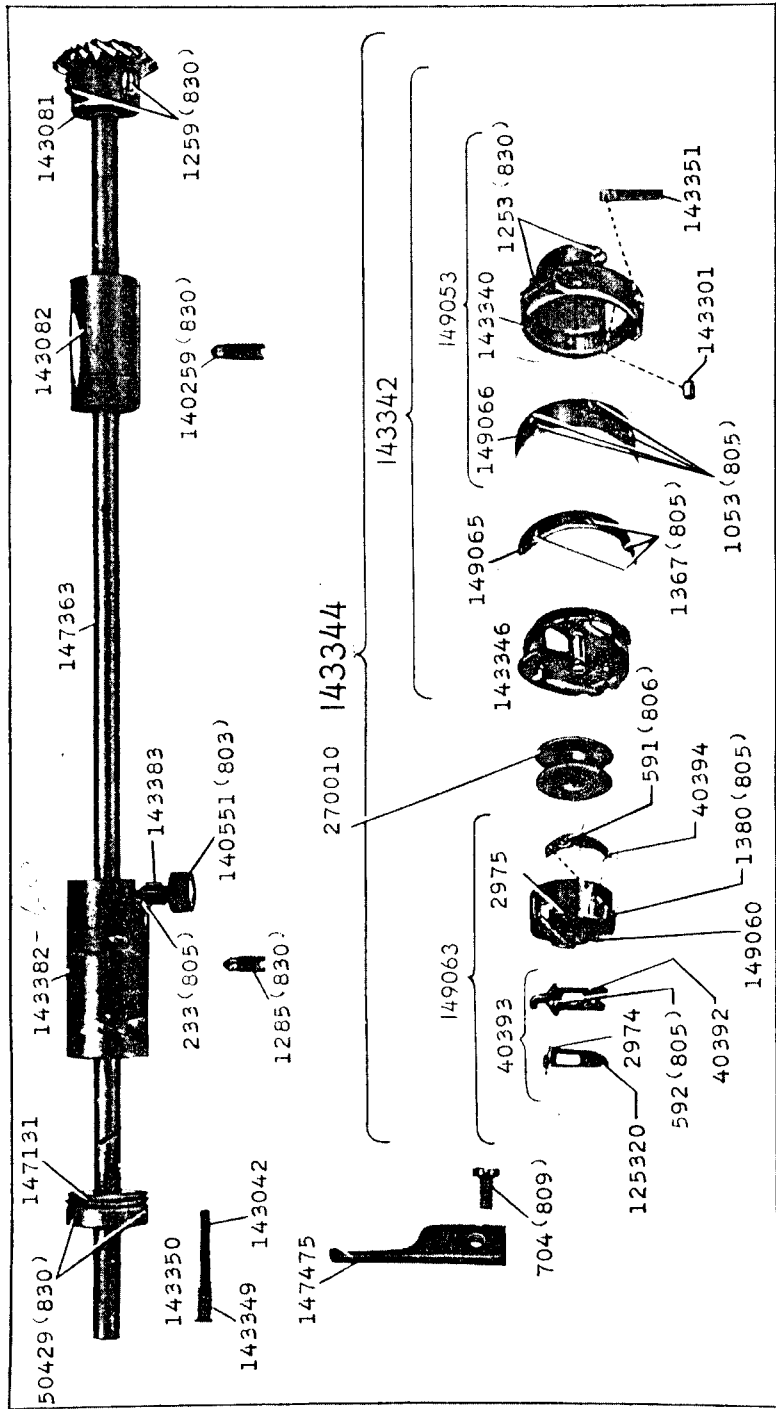


21274-1/2

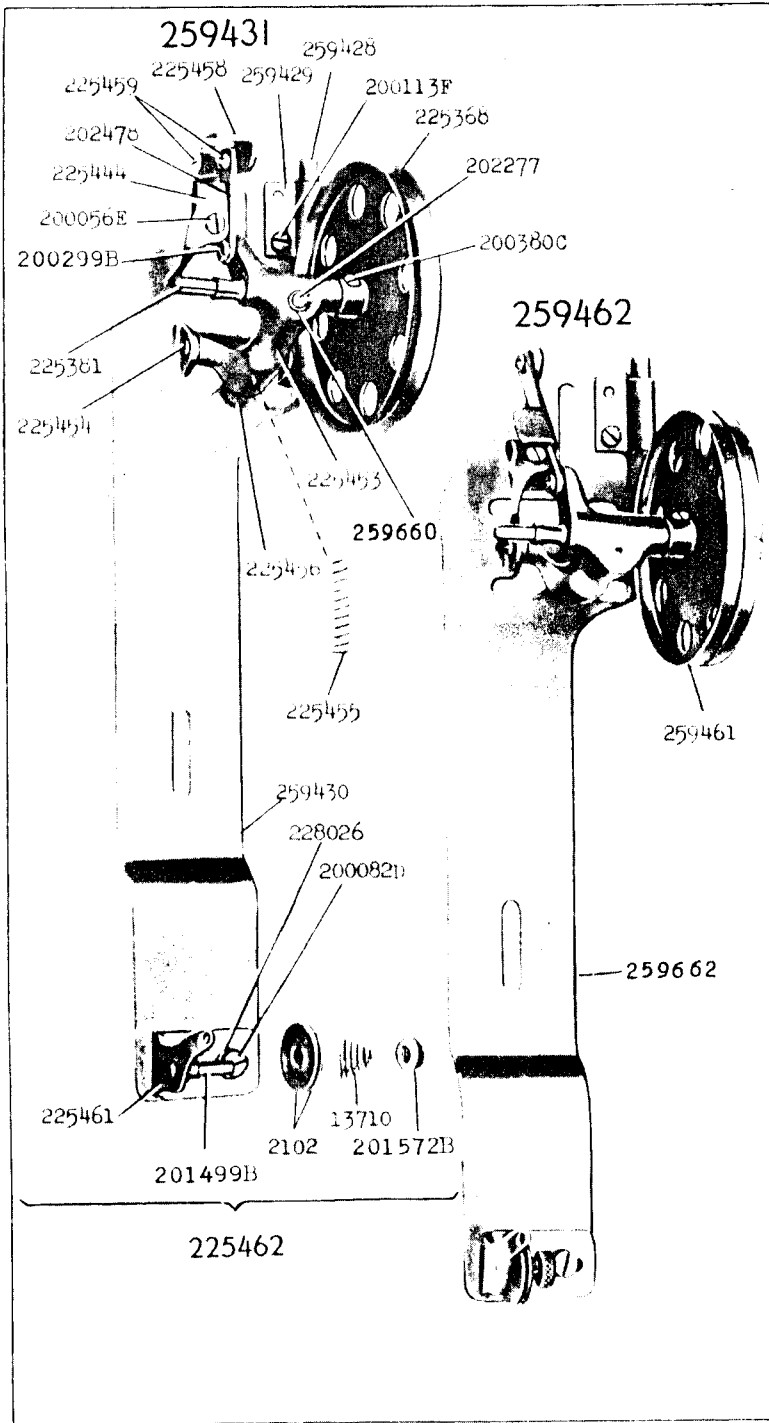


21275-2/3





23253 - 3/8



24193 1/6

228776

