

Form U6290 (793)
Part No. 379453-002
Printed in Japan

MACHINE PARTS CHART **for** **SINGER**

300U101A

379453052
JAPAN

NUMERICAL LIST OF PARTS 300U101A MACHINE

PART NO.	DESCRIPTION	PART NO.	DESCRIPTION
229	Looper Deflector Screw (2)	268133	Looper Throw-out Safety Latch Spring Bracket
2102	Needle Thread Tension Disc (2)	268139	Needle Bar Connecting Link Cap Washer
10148	Looper Thread Tension Spring	268144	Needle Bar Oiling Felt (2)
32572	Needle Thread Tension Releasing Disc	268148	Needle Bar Rock Frame Regulating Stud
32825	Spreader Driving Rook Shaft Screw Stud Oil Packing (wick)	268149	Needle Bar Rock Frame Regulating Stud Sleeve
32848	Arm Shaft Ball Bearing (front)	268162	Spreader Point
50169	Looper Thread Guide (top of arm) Bracket Screw (2)	268167	Needle Thread Tension Bracket
50326	Needle Thread Tension Stud	268171	Needle Thread Tension Releasing Plate (adjustable)
51570	Needle Thread Tension Thumb Nut	268172	Presser Bar
54279	Needle Thread Tension Thread Guide (double)	268173	Presser Bar Bushing
59538	Needle Thread Tension Spring Bushing (back)	268176	Presser Bar Spring
59539	Needle Thread Tension Stud 50326 with 51570	268184	Spreader Bar Bracket
131741	Needle Thread Tension Spring	268190	Spreader Driving Pin
141478	Needle Guard Set Screw (back)	268208	Looper Carrier Crank Hinge Pin with 268258
141494	Needle Guard Set Screw (front)	268214	Arm Shaft Oil Stop Ball 5/32in. Diam. (2)
143657	Needle Thread Tension Spring Bushing (front)	268214	Bed Shaft Oil Stop Ball
143658	Needle Thread Tension Thumb Nut Locking Spring	268219	Needle Bar Rock Frame Thread Guide
201363	Foot Lifter Lever Hinge Screw	268220	Spreader Driving Eccentric Thrust Washer (2)
201477	Looper Throw-out Gear Locking Plunger Screw Bushing	268258	Feed Driving Connection Hinge Stud Oil Packing (wick)
202253	Arm Shaft Connection Belt Pulley Spring Flange (2)	268258	Feed Lifting Link Hinge Pin Oil Packing (wick) (2)
202330	Needle Bar Connecting Stud Oil Packing (wick)	268258	Looper Carrier Crank Hinge Pin Oil Packing (wick)
204348	Foot Lifter Lever Spring	268258	Needle Bar Rock Frame Driving Connection Hinge Stud Oil Packing (wick)
204365	Needle Thread Tension Releaser Spring	268264	Arm Shaft Oil Control Rod (wood)
204925	Looper Driving Crank Oil Hole Cover Screw Washer	268265	Bed Shaft Oil Control
260335	Presser Foot Hinge Pin	268270	Arm Shaft Connection Belt (reinforced neoprene)
214529	Needle Bar Rock Frame Regulating Stud Spring	268275	Presser Foot Shank with 545246-452
226080	Presser Foot Plate Spring	268278	Needle Bar Oiling Felt Holder (2)
226206	Needle Thread Tension Releasing Pin	268312	Needle Thread Guide (on arm head)
228448	Machine Locating Stud (4)	268313	Looper Throw-out Gear Locking Plunger Handle
228661	Face Plate Cushion (neoprene) (2)	268318	Loop Deflector
240245	Feed Regulating Stud Retaining Spring	268330	Face Plate Hinge Stud (2)
241763	Feed Driving Eccentric Friction Plate Screw Set Screw Packing (brass) (2)	268333	Looper Thread Tension Thread Guide
241763	Needle Bar Rock Frame Driving Eccentric Friction Plate Screw Set Screw Packing (brass) (2)	268373	Looper Thread Guide (on bed at looper) for all gauges from 3/16 to 2 inches
248423	Foot Lifter Lever Rod Cotter Pin (2)	268380	Looper with 141478 and 141494
250265	Looper Throw-out Gear Locking Plunger Spring	268499	Spreader Bar complete
267623	Feed Driving Eccentric Friction Plate	268500	Looper Thread Tube Gasket (2)
267623	Needle Bar Rock Frame Driving Eccentric Friction Plate	268505	Looper Thread Guide (top of arm)
267933	Feed Lifting Rock Shaft	268506	Looper Thread Guide (top of arm) Bracket 268111 with 268505 and two 50169
267970	Bed Plate Slide Spring (left upper)	268512	Needle Thread Guide (on needle bar connecting stud)
267971	Needle Thread Tension complete, Nos. 32572, 59538, 59539, 131741, 143657, 143658 and two 2102	268513	Needle Thread Guide (on side of arm and arm head) (2)
268004-451	Arm Shaft Ball Bearing (back) Housing	268611	Presser Foot Plate
268009	Arm Shaft Oil Stop Ball Spring (front)	268612	Presser Foot Plate Heel Spring
268010-451	Arm Side Cover	268613	Presser Foot (spring hinged) complete, 46 Needle Hole, Nos. 206335, 226080, 268275, 268611 and 268612
268022	Bed Plate Slide Spring (2)	268614	Throat Plate
268029	Needle Bar Rock Frame Needle Bearing (2)	268618	Feed Dog, 46 Needle Hole, for Needle Sizes 20 and 22 (teeth cut 15 to the inch) with 268318 and two 229 for 268614
268032	Face Plate Lock Spring	268638	Spreader with 268162
268033	Face Plate Lock Stud	269616	Foot Lifter Lifting Link
268035	Feed Bar Hinge Pin	270026	Feed Regulating Stud Spring
268044	Arm Shaft Oil Stop Ball Spring (rear)	270266	Needle Bar Connecting Link Needle Bearing (2)
268044	Bed Shaft Oil Stop Ball Spring	272142	Arm Shaft Ball Bearing (back)
268051	Looper Thread Guide	272142	Bed Shaft Ball Bearing
268052	Looper Thread Take-up Rod	281206	Needle Bar Crank Cover
268060	Feed Driving Connection	281207	Needle Guard
268060	Needle Bar Rock Frame Driving Connection	281208	Looper and Needle Guard complete, Nos. 281207 and 268380
268061	Feed Driving Connection 268060 with 415368	281209	Needle Bar Crank 415133 with 32848 and 281206, 545205-451 (2)
268061	Needle Bar Rock Frame Driving Connection 268060 with 415368	281212	Bed Shaft with 268044, 268214, 268265 and 414578
268064	Feed Driving Eccentric	281216	Bed Shaft Ball Bearing
268064	Needle Bar Rock Frame Driving Eccentric	281217	Needle Bar Connecting Link with two 270266
268065	Feed Driving Eccentric Adjusting Disc	281219	Looper Carrier with two 415500
268065	Needle Bar Rock Frame Driving Eccentric Adjusting Disc	281223	Looper Driving Connection with 415500
268066	Feed Driving Eccentric Adjusting Disc Spring	281224	Bed Shaft Ball Bearing
268066	Needle Bar Rock Frame Driving Eccentric Adjusting Disc Spring	281225	Looper Holder with 414553, 543804-004 and two 414558
268070	Feed Driving Rock Shaft	281256	Counter Balance with two 544208-005
268074	Feed Lifting Connection	351876	Spreader Driving Rock Shaft Screw Stud Ball Roller
268077	Feed Lifting Eccentric Lubricating Pad (wood)	374098	Feed Driving Eccentric Friction Plate Screw (2)
268078	Feed Lifting Link	374098	Needle Bar Rock Frame Driving Eccentric Friction Plate Screw (2)
268079	Feed Lifting Link Hinge Pin with 268258 (2)	374099	Looper Driving Crank Position Screw (2)
268081	Feed Regulating Stud	412011	Feed Driving Eccentric Adjusting Disc Spring Collar with two 544325
268082	Feed Regulating Stud Socket	412011	Needle Bar Rock Frame Driving Eccentric Adjusting Disc Spring Collar with two 544325
268086	Foot Lifter Lever Rod	412203	Looper Thread Tension Disc (2)
268093	Looper Carrier Shaft	414501	Feed Lifting Crank Pinch Screw
268096	Looper Carrier Shaft Bushing (left) Position Plate	414504	Arm Head Screw (3)
268102	Looper Driving Crank Oil Hole Cover	414508	Bed Plate Screw (3)
268111	Looper Thread Guide (top of arm) Bracket	414509	Needle Bar Rock Frame Driving Arm Pinch Screw (2)
268121	Looper Thread Tension Bracket Spacing Collar (2)	414510	Looper Thread Guide Screw
268121	Needle Thread Tension Bracket Spacing Collar (2)		
268123	Looper Thread Tube		
268131	Looper Throw-out Safety Latch		
268132	Looper Throw-out Safety Latch Spring		

NUMERICAL LIST OF PARTS 300U101A MACHINE

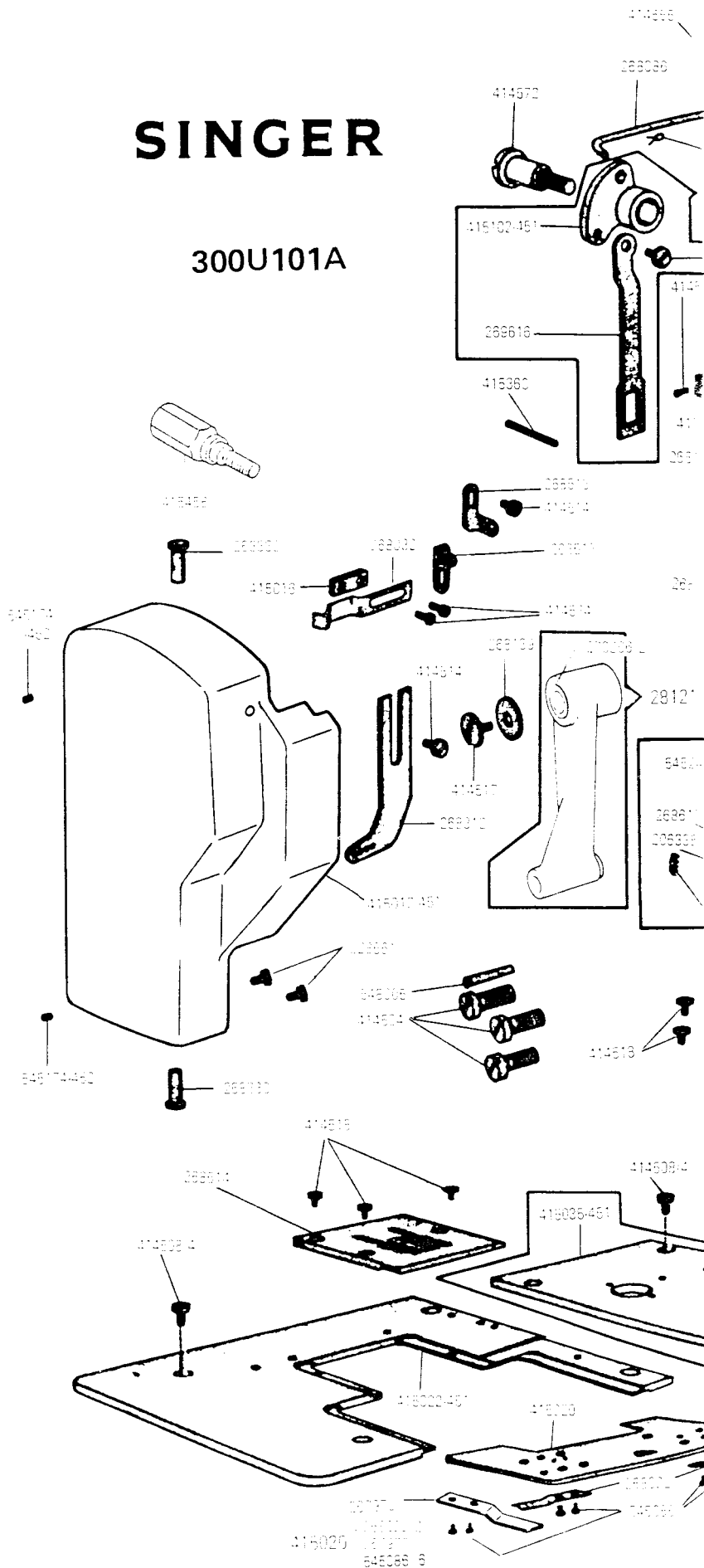
PART NO.	DESCRIPTION	PART NO.	DESCRIPTION
414511	Feed Driving Rock Shaft Crank Pinch Screw (2)	415072	Feed Driving Eccentric complete, Nos. 268064, 268065, 268066, 412011 and 415073
414511	Feed Lifting Rock Shaft Crank Pinch Screw (2)	415072	Needle Bar Rock Frame Driving Eccentric complete, Nos. 268064, 268065, 268066, 412011 and 415073
414511	Needle Bar Connecting Stud Pinch Screw (2)	415073	Feed Driving Eccentric Flange with 267623, two each 241763, 414555, 414557 and 374098
414513	Presser Bar Guide Bracket Pinch Screw	415073	Needle Bar Rock Frame Driving Eccentric Flange with 267623 two each 241763, 414555, 414557 and 374098
414514	Needle Thread Guide Screw (2)	415088-451	Needle Bar Rock Frame Driving Arm 415089-451 with 268061, 415091, 541197 and 545297
414515	Looper Carrier Shaft Bushing (left) Position Plate Screw (2)	415089-451	Needle Bar Rock Frame Driving Arm with two 414509
414516	Looper Carrier Crank Hinge Pin Pinch Screw	415091	Feed Driving Connection Hinge Stud with 268258
414517	Needle Bar Connecting Link Cap Washer Screw	415091	Feed Lifting Connection Hinge Stud with 268258
414518	Feed Dog Screw (2)	415091	Needle Bar Rock Frame Driving Connection Hinge Stud with 268258
414518	Throat Plate Screw (3)	415098	Needle Bar Rock Frame Regulating Stud complete, Nos. 214529, 268148, 268149 and 415099
414519	Needle Set Screw	415099	Needle Bar Rock Frame Regulating Stud Cap with 414528
414520	Feed Dog Shank Screw	415101-451	Foot Lifter Bell Crank 415102-451 with 269616 and 414568
414522	Needle Bar Oiling Felt Holder Screw (2)	415102-451	Foot Lifter Bell Crank
414524	Spreader Bar Bracket Screw (2)	415104-451	Foot Lifter Lever with 543850-001
414525	Machine Pulley Set Screw	415126	Arm Shaft with 268009, 268044, 268264 two each 268214 and 414578
414526	Machine Pulley Position Screw	415133	Needle Bar Crank with 500272-833, 544358 and 549024
414527	Needle Bar Rock Frame Regulating Stud Sleeve Set Screw	415153-451	Machine Pulley 415154-451 with 272142
414528	Looper Throw-out Gear Locking Plunger Stop Screw Set Screw	415154-451	Machine Pulley (aluminum alloy casting) for "V" Belt (outside diam, of belt groove 2.9 in.) with 414525 and 414526
414528	Needle Bar Rock Frame Regulating Stud Cap Set Screw	415157	Arm Shaft Connection Belt Pulley with two each 202253 and 414546
414528	Spreader Driving Eccentric Set Screw (2)	415159	Bed Shaft Connection Belt pulley 415160 with 272142
414528	Spreader Driving Eccentric Counterbalance Set Screw (2)	415160	Bed Shaft Connection Belt Pulley with two 414546
414529	Feed Bar Hinge Pin Collar Set Screw	415167	Looper Carrier Shaft complete, Nos. 268093, 415168 and 415170
414529	Lifting Eccentric Spacing Collar Screw (2)	415168	Looper Carrier Shaft Bushing (left) with 500264-833 and 549024
414529	Presser Bar Stop Collar Set Screw	415170	Looper Carrier Shaft Bushing (right) with 500264-833 and 549024
414529	Spreader Holder Set Screw (2)	415174	Looper Carrier Crank with 414516
414531	Needle Thread Tension Releasing Plate Screw	415176	Looper Driving Crank complete, Nos. 414536, 500264-833 and two 374099
414532	Looper Thread Tension Bracket Screw (2)	415178	Looper Throw-out Rack Rod 415179 with 541451
414534	Face Plate Lock Spring Screw (2)	415179	Looper Throw-out Rack Rod
414535	Presser Bar Guide Bracket Adjusting Screw	415180	Looper Throw-out Gear with two 500264-833
414536	Looper Driving Crank Oil Stop Screw	415182	Looper Throw-out Gear Locking Plunger
414537	Looper Thread Guide (top of arm) Bracket Screw (2)	415183	Spreader Driving Connection 415184 with 351876 and 415368
414539	Needle Bar Rock Frame Thread Guide Screw (2)	415184	Spreader Driving Connection with two 414569
414545	Needle Thread Guide (on needle bar connecting stud) Set Screw	415187	Spreader Driving Eccentric with 543808-002 and two 414528
414546	Arm Shaft Connection Belt Pulley Set Screw (2)	415190	Spreader Driving Eccentric Counterbalance with two 414528
414546	Bed Shaft Connection Belt Pulley Set Screw (2)	415194	Spreader Driving Crank with two 544204-001
414549	Feed Lifting Rock Shaft Crank Position Screw	415196	Spreader Holder with two 414529
414552	Spreader Screw	415198	Feed Bar with 545213 and two 544204-001
414553	Looper Holder Screw	415200	Feed Driving Rock Frame with 500264-833 and 549024
414555	Feed Driving Eccentric Flange Set Screw (2)	415202	Feed Bar Hinge Pin Collar with 414529
414555	Needle Bar Rock Frame Driving Eccentric Flange Set Screw (2)	415204	Feed Lifting Crank with 414501 and 545213
414555	Presser Bar Spring Adjusting Screw Set Screw	415206	Feed Lifting Rock Shaft Crank with 414549 and two 414511
414556	Looper Thread Guide (on bed at looper) Screw	415208	Feed Dog Shank with 414559 and 541200
414557	Feed Driving Eccentric Friction Plate Screw Set Screw(2)	415210	Feed Lifting Eccentric with 268077 and two 544204-001
414557	Needle Bar Rock Frame Driving Eccentric Friction Plate Screw Set Screw (2)	415212	Feed Driving Rock Shaft Crank 415213 with 268061, 415091, 541197 and 545297
414558	Looper Set Screw (2)	415213	Feed Driving Rock Shaft Crank with two 414511
414559	Feed Dog Shank Adjusting Screw	415252	Needle Thread Tension Releaser Cap with 504048
414562	Presser Bar Spring Support Screw	415255	Looper Thread Tension Bracket
414563	Looper Driving Crank Oil Hole Cover Screw	415291	Looper Thread Tension Stud
414564	Looper Throw-out Gear Locking Plunger Stop Screw	415292	Looper Carrier Crank Clamping Stud
414568	Foot Lifter Lifting Link Hinge Screw	415293	Spreader Driving Rock Shaft Screw Stud with 32825
414569	Spreader Driving Connection Cap Screw (2)	415294	Looper Thread Tension complete, Nos. 10148, 415291, 541452 and two 412203
414570	Foot Lifter Lever Spring Screw Eye	415295	Arm Position Pin (2)
414572	Foot Lifter Bell Crank Hinge Screw	415297	Feed Lifting Rock Shaft Bushing (2)
414574	Presser Bar Spring Adjusting Screw	415297	Feed Driving Rock Shaft Bushing (2)
414578	Arm Shaft Oil Stop Ball Screw (2)	415297	Spreader Driving Rock Shaft Bushing (2)
414578	Bed Shaft Oil Stop Ball Screw	415308	Lifting Eccentric Spacing Collar with two 414529
414639	Looper Thread Tube Cover Screw (4)	415342-451	Looper Thread Tube Cover
415012-451	Face Plate with 268033 and two each 228661 and 545174-452		
415016	Face Plate Lock Spring Plate		
415020	Bed Plate Slide with two 268022 and 267970 with six 545086, for gauges from 0 to 1-1/2 in.		
415022-451	Bed Plate (left), for gauges from 0 to 1-1/2 in.		
415034-451	Bed Plate (right) 415035-451 with 240245, 268081, 268082, 270026 and two 545249-452		
415035-451	Bed Plate (right)		
415037	Needle Bar Rock Frame 415038 with 415040 and two each 268144, 268278 and 414522		
415040	Needle Bar with 414519		
415041	Needle Bar		
415053	Needle Bar Connecting Stud with 202330, 414545 and two 414511		
415055	Presser Bar Stop Collar with 414529		
415057	Presser Bar Guide Bracket with 414513 and 414535		
415065	Feed Driving Rock Shaft Collar with two 504020 (2)		
415065	Feed Lifting Rock Shaft Collar with two 504020 (2)		
415065	Spreader Driving Rock Shaft Collar with two 504020 (2)		

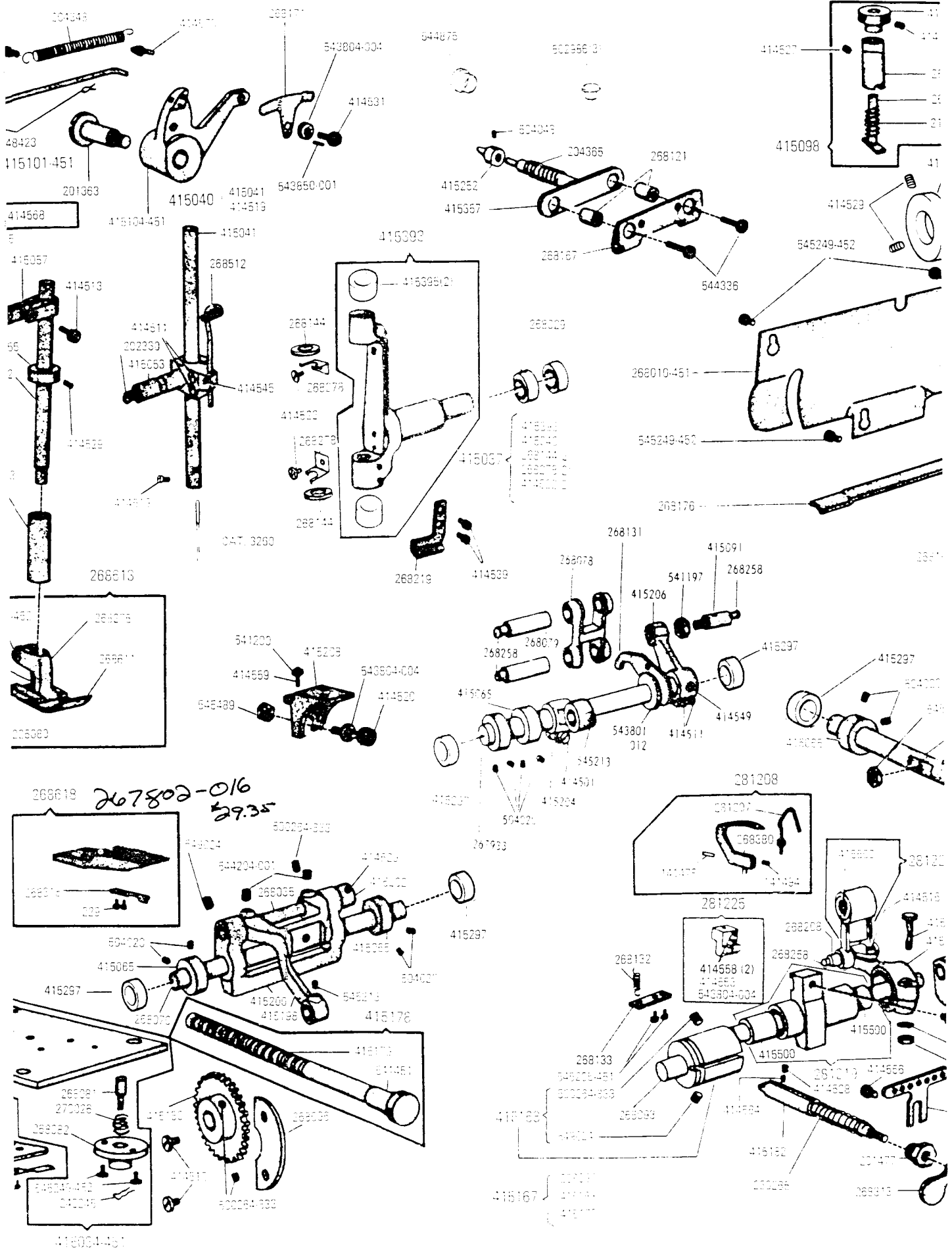
NUMERICAL LIST OF PARTS 300U101A MACHINE

PART NO.	DESCRIPTION	PART NO.	DESCRIPTION
415350	Looper Driving Crank 415176 with 204925, 268102 and two 414563		ACCESSORIES
415357	Needle Thread Tension Releaser	21887	Wrench
415360	Foot Lifter Lifting Link Stop Pin	167448	Machine Base Drain Jar
415361	Arm Screw (4)	202784	Foot Lifter Treadle Chain Hook (2)
415368	Needle Bar Rock Frame Driving Connection Needle Bearing	228444	Machine Cushion (neoprene) (4)
415368	Spreader Driving Connection Needle Bearing	228731-451	Drip Pan
415368	Feed Driving Connection Needle Bearing	228733-451	Machine Rest (left)
415389	Spreader Driving Rock Shaft with 504019	228734-451	Machine Rest (right)
415393	Needle Bar Rock Frame with two 415395	232365	Foot Lifter Treadle Chain, 41-1/2 inches Long
415395	Needle Bar Bushing (2)	265307	Bed Hinge Connection (2)
415458	Light Fixture Stud	268340	Looper Threading Wire
415500	Looper Carrier Bushing (2)	409813-002	Operator's Guide (U-3426)
415500	Looper Driving Connection Bushing	410186	Machine Rest Pin
500264-833	Looper Driving Crank Set Screw	411151-453	Thread Unwinder complete
500264-833	Feed Driving Rock Frame Set Screw	414301	Accessorie Pack
500264-833	Looper Carrier Shaft Bushing Set Screw (2)	414407	Machine Cover
500264-833	Looper Throw-out Gear Set Screw (2)	414583	Wood Screw (for machine rest) (4)
500272-833	Needle Bar Crank Set Screw	415347	Oiler Nozzle and Tube Assembly
502986	Arm Head Plug (3)	415377	Threader Wire
504019	Looper Thread Take-up Rod Set Screw	415433-452	Belt Guard complete
504020	Feed Driving Rock Shaft Collar Set Screw (4)	543162	Tweezers
504020	Feed Lifting Rock Shaft Collar Set Screw (4)	544381	Bed Hinge Connection Screw (4)
504020	Spreader Driving Rock Shaft Collar Set Screw (4)	545302	Drip Pan Screw (4)
504048	Needle Thread Tension Releaser Cap Set Screw	546923	Oiler with Oil Spout
541197	Feed Driving Connection Hinge Stud Nut	Cat. 3260-01	Needles (62 x 57) Size 22 (6)
541197	Feed Lifting Connection Hinge Stud Nut		
541197	Needle Bar Rock Frame Driving Connection Hinge Stud Nut		
541198	Looper Carrier Crank Clamping Stud Nut		
541200	Feed Dog Shank Adjusting Screw Lock Nut		
541451	Looper Throw-out Rack Rod Thumb Nut		
541452	Looper Thread Tension Thumb Nut		
541453	Looper Throw-out Gear Locking Plunger Thumb Nut		
543801-012	Looper Throw-out Safety Latch Retaining Ring		
543804-004	Feed Dog Shank Screw Washer		
543804-004	Looper Holder Screw Washer		
543804-004	Needle Thread Tension Releasing Plate Screw Washer		
543804-007	Arm Screw Washer (4)		
543808-002	Spreader Driving Eccentric Pin		
543850-001	Needle Thread Tension Releasing Plate Pin		
544204-001	Feed Bar Set Screw (2)		
544204-001	Spreader Driving Crank Set Screw (2)		
544208-005	Feed Lifting Eccentric Set Screw (2)		
544325	Feed Driving Eccentric Adjusting Disc Spring Collar Set Screw (2)		
544325	Needle Bar Rock Frame Driving Eccentric Adjusting Disc Spring Collar Set Screw (2)		
544336	Arm Shaft Ball Bearing (back) Housing Screw (3)		
544336	Needle Thread Tension Bracket Screw (2)		
544358	Needle Bar Crank Position Screw Check Screw		
544875	Arm Plug		
545086	Bed Plate Slide Spring Screw (6)		
545174-452	Face Plate Hinge Stud Set Screw (2)		
545205-451	Looper Throw-out Safety Latch Spring Bracket Screw (2)		
545205-451	Needle Bar Crank Cover Set Screw (2)		
545213	Feed Lifting Link Hinge Pin Set Screw (2)		
545246-452	Presser Foot Shank Pinch Screw		
545249-452	Arm Side Cover Screw (3)		
545249-452	Feed Regulating Stud Socket Screw (2)		
545297	Feed Driving Connection Cap Screw		
545297	Needle Bar Rock Frame Driving Connection Cap Screw		
545424	Spreader Driving Rock Shaft Screw Stud Nut		
545489	Feed Dog Shank Screw Lock Nut		
547670	Spreader Screw Washer		
548005	Arm Head Position Pin		
548459	Looper Carrier Crank Clamping Stud Washer		
549024	Feed Driving Rock Frame Position Screw		
549024	Looper Carrier Shaft Bushing Position Screw (2)		
549024	Needle Bar Crank Position Screw		
Cat. 3260-01	Needle (#22)		

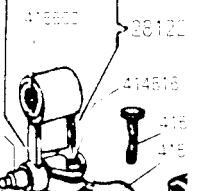
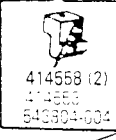
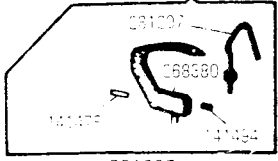
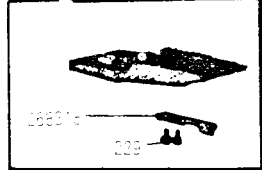
SINGER

300U101A





267802-016
\$29.35



418004-451

268036

268013

