

SINGER
391A1

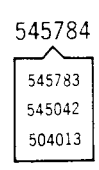
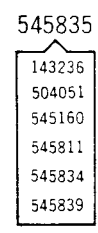
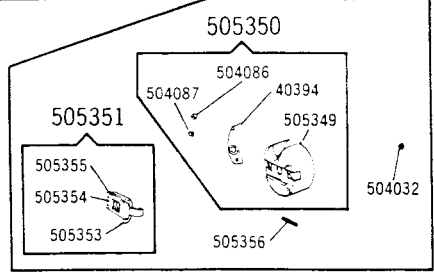
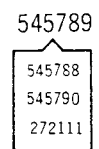
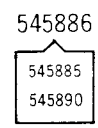
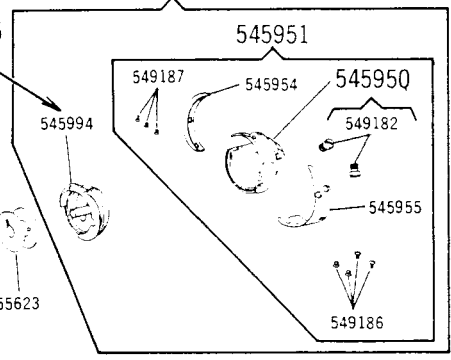
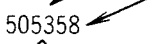
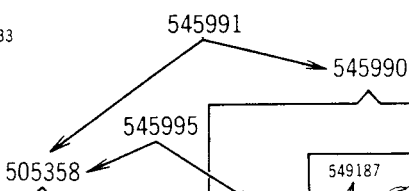
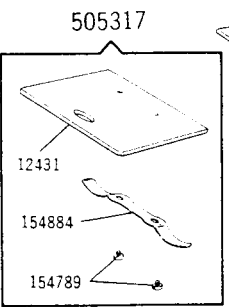
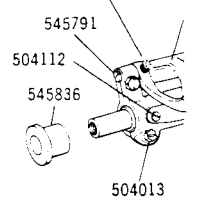
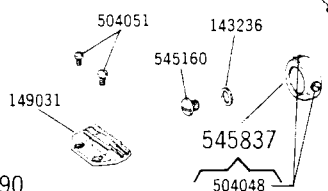
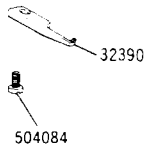
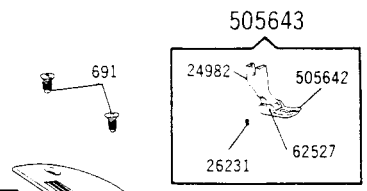
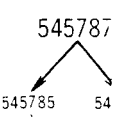
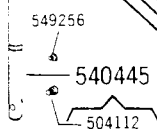
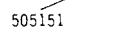
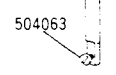
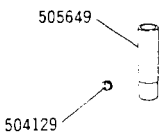
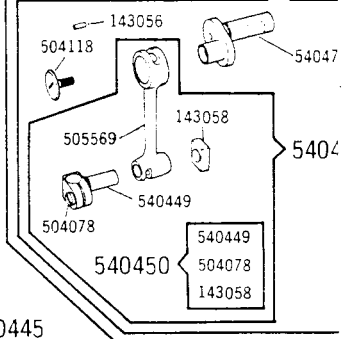
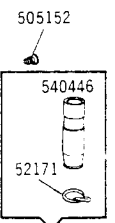
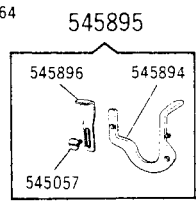
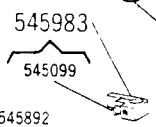
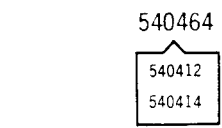
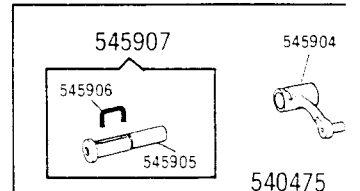
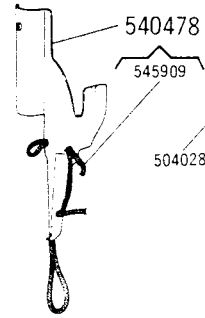
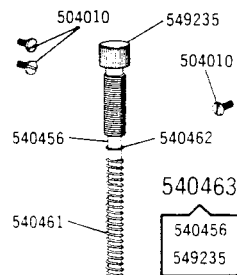
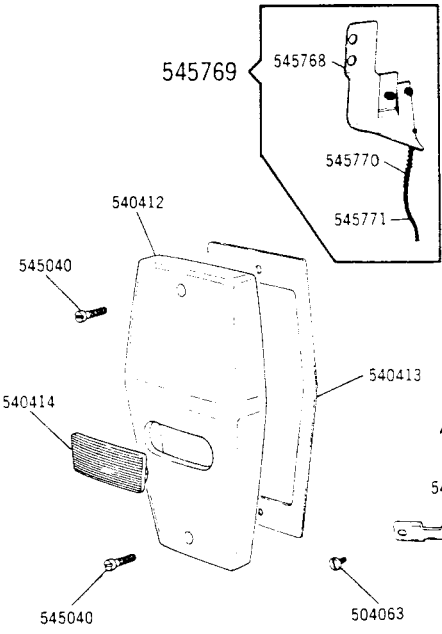
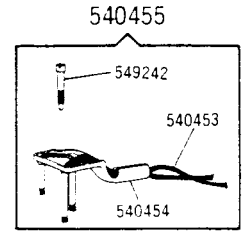
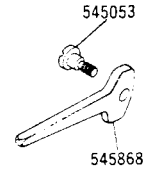
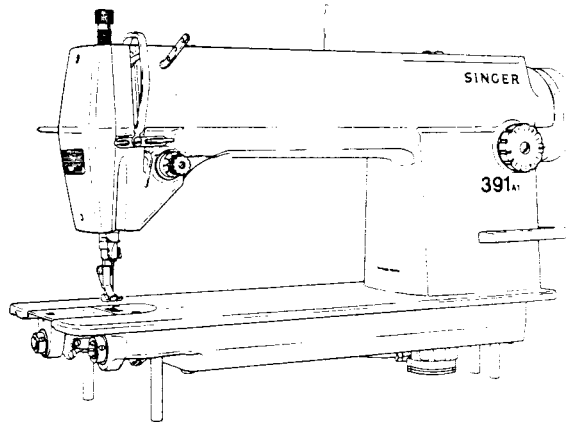
**Parts
List**

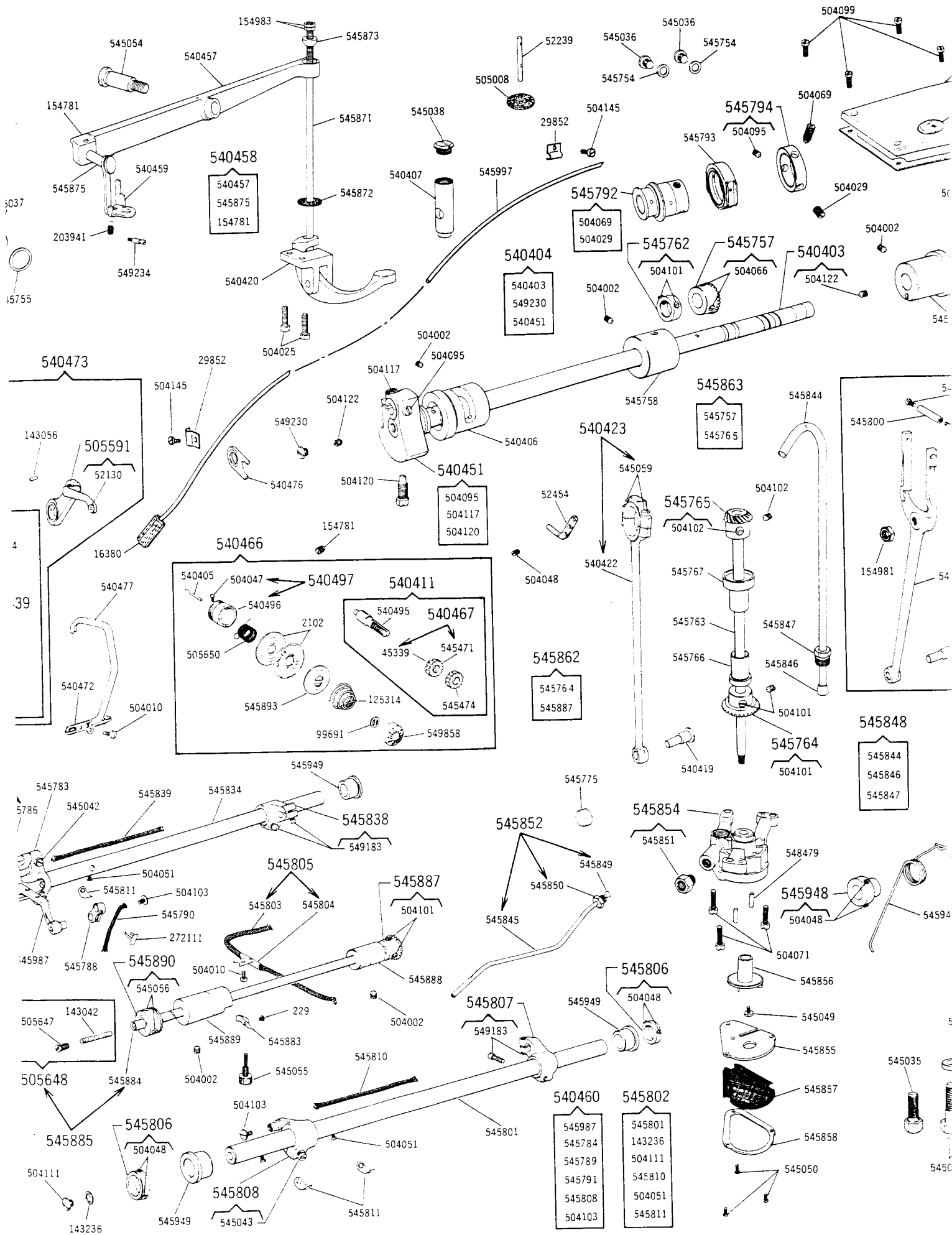
SINGER
INDUSTRIAL PRODUCTS

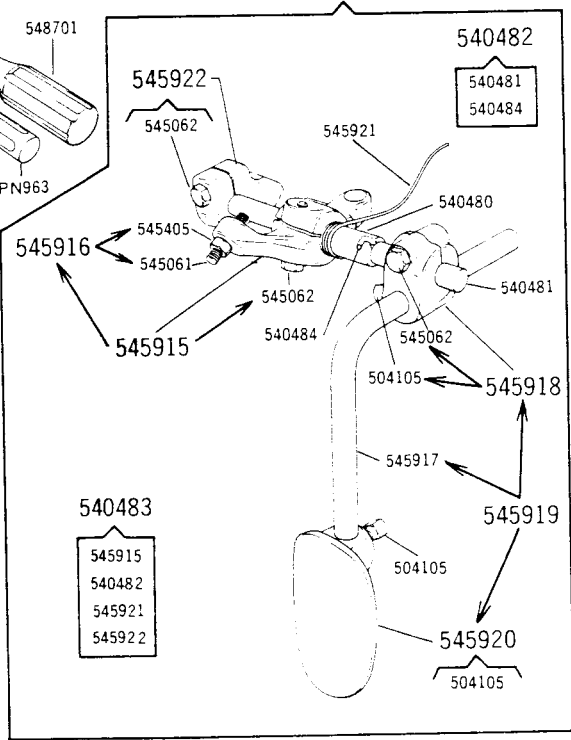
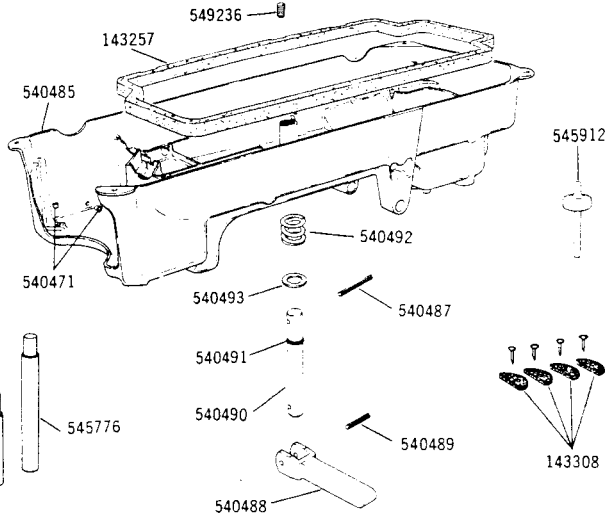
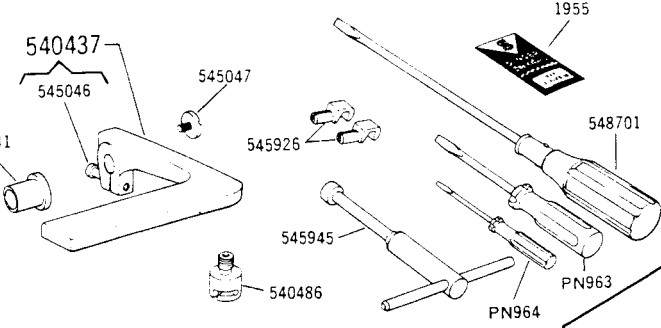
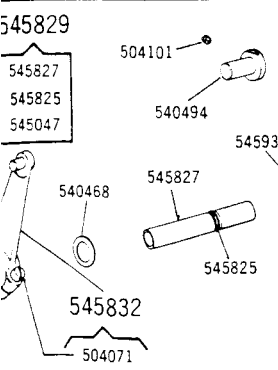
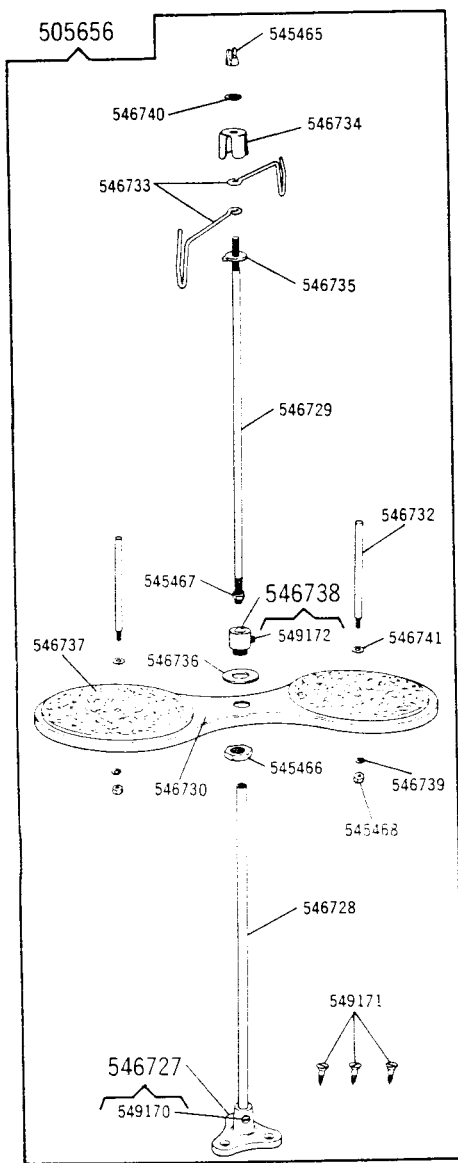
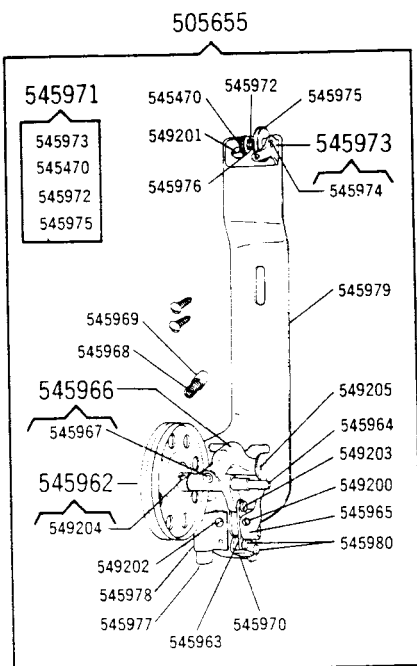
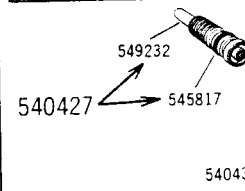
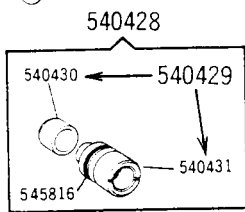
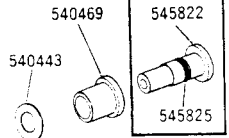
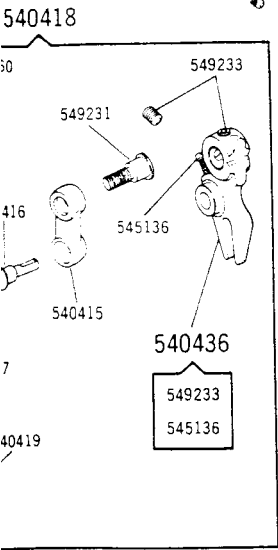
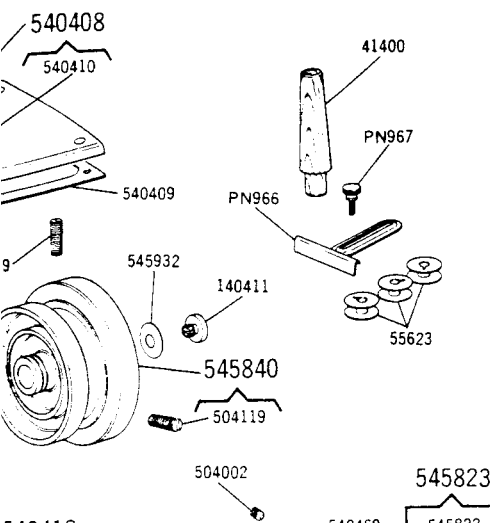
391

SINGER

391A1







PARTS LIST FOR 391A1 MACHINE

PART NO.	DESCRIPTION	PART NO.	DESCRIPTION
546733	Thread Unwinder Thread Guide (2)	127234	Presser Foot (spring hinged) complete, Nos. 26231, 52390, 62527 and 127233
545465 (856)	Thread Unwinder Thread Guide Lock Nut	127233	Presser Foot Plate
546740	Thread Unwinder Thread Guide Lock Nut Spring Washer	52390	Presser Foot Shank
546734	Thread Unwinder Thread Guide Position Cup	540438	Thread Eyelet and Thread Guard (front of arm)
546735	Thread Unwinder Thread Guide Rod Washer	540444	Thread Take-up complete, Nos. 545907, 545904, 505591, 540465 and eighteen 143056
549171	Wood Screw 1" No. 10 (3)	540452	Thread Take-up Crank
		540465	Thread Take-up Crank 540452 with 504118 (803), 540439 and eighteen 143056
		143175	Throat Plate (large needle hole) for 143174
		12482	Throat Plate for 12481, (for heavy material sewing, furnished only in special cases)

BOBBIN WINDER

505655	Universal Bobbin Winder complete, Nos. 545962, 545963, 545964, 545965, 545966, 545968, 545969, 545970, 545971, 545976, 545977, 545978, 545979, 549200 (819), 549201 (819), 549202 (819), 549203 (819), 549205 and two 545980 with two 5.5 x 19 Wood Screws
545979	Bobbin Winder and Tension Bracket Base
545977	Bobbin Winder Brake
545978	Bobbin Winder Brake Clamp
549202 (819)	Bobbin Winder Brake Clamp Screw
545966	Bobbin Winder Frame with 545967
549205	Bobbin Winder Frame Hinge Pin
545967	Bobbin Winder Frame Oil Cup
545968	Bobbin Winder Frame Spring
545969	Bobbin Winder Frame Spring Plunger
545962	Bobbin Winder Pulley with 549204 (850)
549204 (850)	Bobbin Winder Pulley Set Screw
545964	Bobbin Winder Spindle
545965	Bobbin Winder Stop Latch
549200 (819)	Bobbin Winder Stop Latch Screw
545970	Bobbin Winder Stop Latch Thumb Lever
545980	Bobbin Winder Stop Latch Thumb Lever Hinge Stud (2)
545963	Bobbin Winder Stop Latch Trip Lever
549203 (819)	Bobbin Winder Stop Latch Trip Lever Hinge Screw
545973	Bobbin Winder Tension Bracket with 545974
545971	Bobbin Winder Tension complete, Nos. 545470 (819), 545972, 545973 and two 545975
549201 (819)	Bobbin Winder Tension Bracket Screw
545976	Bobbin Winder Tension Bracket Screw Washer
545975	Bobbin Winder Tension Disc (2)
545972	Bobbin Winder Tension Spring
545974	Bobbin Winder Tension Stud
545470 (819)	Bobbin Winder Tension Stud Thumb Nut
	Wood Screw 5.5 x 19 (2)

391A3

Same as 391A1 machine except for the following :

540426	Arm Shaft (horizontal) and Needle Bar Crank complete, Nos. 504095 (850), 504117 (850) 504120 (850), 540403 and 549230 (805)
143174	Feed Dog, 17 Teeth (14 teeth to the inch)
12481	Feed Dog for 12482 (for heavy material sewing, furnished only in special cases)
1955	Needle (size #19)
540470	Needle Bar (hollow) with 504112 (832)
147113	Needle Bar Bushing (lower)
545937	Needle Bar Bushing (lower) 147113 with 545935
545935	Needle Bar Bushing (lower) Thread Eyelet
540424	Oil Wick Holder complete
540425	Oil Wick Holder complete, Nos. 549242 (850), 540424 and two 540453

PARTS LIST FOR 391A1 MACHINE

PART NO.	DESCRIPTION	PART NO.	DESCRIPTION
545471 (873)	Tension Regulating Thumb Nut (body)	545823	Feed Regulator Hinge Stud 545822 with 545825
545474 (873)	Tension Regulating Thumb Nut Lock Nut	545825	Feed Regulator Hinge Stud O-ring
545753	Arm Screw (front) Washer (2)	545825	Feed Reverse Lever Hinge Stud O-ring
545754	Arm Shaft (upright) Bevel Gear (upper) Set Screw Hole Plug Screw Gasket	545827	Feed Reverse Lever Hinge Stud
545754	Feed Regulator Set Screw Hole Plug Screw Gasket	545829	Feed Reverse Lever Hinge Stud 545827 with 545047 and 545825
545755	Thread Take-up Crank Clamping Screw Hole Plug Screw Gasket	545832	Feed Reverse Lever Link with 504071
545757	Arm Shaft (horizontal) Bevel Gear with two 504066 (833)	545834	Feed Rock Shaft
545758	Arm Shaft (horizontal) Bushing (center)	545835	Feed Rock Shaft complete, Nos. 143236, 504051 (850), 545160 (809), 545811, 545834 and 545839
545762	Arm Shaft (horizontal) Thrust Collar with two 504101 (850)	545836	Feed Rock Shaft Flanged Bushing (front)
545763	Arm Shaft (upright)	545837	Feed Rock Shaft Collar with two 504048 (833)
545764	Arm Shaft (upright) Bevel Gear (lower) (right hand spiral) with two 504101 (850)	545838	Feed Rock Shaft Crank with two 549183 (850)
545765	Arm Shaft (upright) Bevel Gear (upper) (left hand spiral) with two 504102 (833)	545839	Feed Rock Shaft Oil Wick
545766	Arm Shaft (upright) Bushing (lower)	545840	Machine Pulley with two 504119 (850)
545767	Arm Shaft (upright) Bushing (upper)	545844	Oil Pipe (for 545848)
545768	Arm Side Shield	545845	Oil Pipe (for 545852)
545769	Arm Side Shield complete, Nos. 545768, 545770 and 545771	545846	Oil Pipe Clamping Sleeve (for 545848)
545770	Arm Side Shield Wick Spring Holder	545847 (805)	Oil Pipe Clamping Sleeve Nut (for 545848)
545771	Arm Side Shield Wick (cotton)	545848	Oil Pipe complete, Nos. 545844, 545846 and 545847 (805)
545775	Bed Hole Plug	545849	Oil Pipe Clamping Sleeve (for 545852)
545776	Bed Leg (long)	545850 (805)	Oil Pipe Clamping Sleeve Nut (for 545852)
545777	Bed Leg (short) (3)	545851	Oil Pipe Clamping Sleeve Nut Adapter
545783	Feed Bar Carrier	545852	Oil Pipe 545845 with 545849 and 545850 (805) for Oiling Rotating Hook Shaft Bushing (front) 545889
545784	Feed Bar Carrier with two each 504013 (850) and 545042 (805)	545854	Oil Pump (centrifugal) with 545851
545785	Feed Bar Carrier Oil Wick (cotton)	545855	Oil Pump (centrifugal) Cover
545786	Feed Bar Carrier Oil Wick Holder	545856	Oil Pump (centrifugal) Impeller
545787	Feed Bar Carrier Oil Wick Holder 545786 with 545785	545857	Oil Pump (centrifugal) Screen
545788	Feed Bar Connecting Link	545858	Oil Pump (centrifugal) Screen Frame
545789	Feed Bar Connecting Link 545788 with 545790 and 272111	545862	Pair of Gears Nos. 545764 and 545887
545790	Feed Bar Connecting Link Oil Wick (cotton)	545863	Pair of Gears Nos. 545757 and 545765
545791	Feed Bar Hinge Pin	545864	Presser Bar (hollow)
545792	Feed and Feed Lifting Eccentric with 504029 (833) and 504069 (833)	545868	Presser Bar Lifter
545793	Feed and Feed Lifting Eccentric Sleeve	545871	Presser Bar Lifting Lever Connecting Rod
545794	Feed and Feed Lifting Eccentric Sleeve Retaining Collar with 504095 (850)	545872	Presser Bar Lifting Lever Connecting Rod Oil Mist Retaining Disc (felt)
545800	Feed Forked Connection Sleeve	545873	Presser Bar Lifting Lever Connecting Rod Swivel
545801	Feed Lifting Rock Shaft	545875	Presser Bar Lifting Lever Pin
545802	Feed Lifting Rock Shaft complete, Nos. 143236, 504111 (809), 545801, 545810, two each 504051 (850) and 545811	545883	Rotating Hook Oil Flow Regulating Thumb Screw Spring
545803	Feed Lifting Rock Shaft and Feed Rock Shaft Oil Wick (cotton)	545884	Rotating Hook Shaft
545804	Feed Lifting Rock Shaft and Feed Rock Shaft Oil Wick Holder	545885	Rotating Hook Shaft 545884 with 505648
545805	Feed Lifting Rock Shaft and Feed Rock Shaft Oil Wick Holder 545804 with 545803	545886	Rotating Hook Shaft 545885 with 545890
545806	Feed Lifting Rock Shaft Collar with two 504048 (833) back and front	545887	Rotating Hook Shaft Bevel Gear (left hand spiral) with two 504101 (850)
545807	Feed Lifting Rock Shaft Crank (back) with two 549183 (850)	545888	Rotating Hook Shaft Bushing (back)
545808	Feed Lifting Rock Shaft Crank (front) with 545043 (819)	545889	Rotating Hook Shaft Bushing (front)
545810	Feed Lifting Rock Shaft Oil Wick	545890	Rotating Hook Shaft Oil Retaining Collar with two 545056 (833)
545811	Feed Lifting Rock Shaft Oil Wick Clamping Plate (2)	545892	Slack Thread Regulator
545811	Feed Rock Shaft Oil Wick Clamping Plate	545893	Tension Releasing Disc
545816	Feed Regulating Stud Bushing O-ring	545894	Tension Releasing Lever (body)
545817	Feed Regulating Stud O-ring	545895	Tension Releasing Lever 545894 with 545057 (819) and 545896
545820	Feed Regulating Stud Head Lock Pin Spring	545896	Tension Releasing Lever Segment
		545904	Thread Take-up Lever Link
		545905	Thread Take-up Lever Link Hinge Stud
		545906	Thread Take-up Lever Link Hinge Stud Oil Wick (cotton)
		545907	Thread Take-up Lever Link Hinge Stud 545905 with 545906
		545909	Thread Take-up Lever Oil Guard Wick (cotton)

PARTS LIST FOR 391A1 MACHINE

PART NO.	DESCRIPTION
545931	Feed Reverse Lever Hinge Stud Flanged Bushing
545932	Arm Shaft (horizontal) Screw (back) Gasket
545947	Feed Reverse Lever Link Spring
545948	Feed Reverse Lever Hinge Stud Collar with two 504048 (850)
545949	Feed Lifting Rock Shaft Flanged Bushing (2)
545949	Feed Rock Shaft Flanged Bushing (back)
545950	Rotating Hook with two 549182 (803)
545951	Rotating Hook complete, Nos. 545954, 545955, 545950, three 549187 (803) and four 549186 (806)
545954	Rotating Hook Section
545955	Rotating Hook Thread Guard
545983	Presser Bar Guide Bracket with 545099 (803)
545987	Feed Bar
545990	Rotating Hook and Rotating Hook Bobbin Case Holder complete, Nos. 545994 and 545951
545991	Rotating Hook, Rotating Hook Bobbin Case Holder and Rotating Hook Bobbin Case complete, Nos. 545990 and 505358
545994	Rotating Hook Bobbin Case Holder
545995	Rotating Hook Bobbin Case 505358 with 545994 (for agent only)
545996	Arm Shaft (horizontal) Flanged Bushing (back) complete
545997	Oil Removing Tube
548479	Oil Pump (centrifugal) (body) Position Pin (2)
549182 (803)	Rotating Hook Set Screw (2)
549183 (850)	Feed Lifting Rock Shaft Crank (back) Clamping Screw (2)
549183 (850)	Feed Rock Shaft Crank Clamping Screw (2)
549186 (806)	Rotating Hook Thread Guard Screw (4)
549187 (803)	Rotating Hook Section Screw (3)
549230 (805)	Arm Shaft (horizontal) Screw Plug (front)
549231 (803)	Feed Connecting Link Screw
549232 (830)	Feed Regulating Stud
549233 (833)	Feed Regulator Screw (2)
549234 (809)	Presser Bar Lifting Link Spring Screw
549235 (873)	Pressure Regulating Thumb Screw
549242 (850)	Oil Wick Holder Screw
549256 (803)	Needle Bar Thread Guard Screw
549858	Tension Indicator Flange

ACCESSORIES

545945	Box Wrench (furnished only in special cases)
PN966	Cloth Guide
PN967 (852)	Cloth Guide Screw
545926	Machine Hinge Connection (2)
143308	Machine Rest (felt) (4) (with four wire nail)
41400	Machine Rest Pin (wood)
1955	Needle (size #16) (3) (for 391A1 machine)
1955	Needle (size #19) (3) (for 391A3 machine)
545927	Oil Can (950 cc, filled with Singer Type "C" Oil)
55623	Rotating Hook Bobbin (3)
PN963	Screw Driver (large)
548701	Screw Driver (long)
PN964	Screw Driver (small)

KNEE LIFTER PARTS

545912	Bell Crank Plunger complete
540479	Rock Shaft complete, Nos. 540483, 540480 and 545919
540480	Rock Shaft (back)
540481	Rock Shaft (front)

PART NO.	DESCRIPTION
540482	Rock Shaft (front) 540481 with 540484
540483	Rock Shaft (front) 540482 with 545915, 545921 and 545922
540484	Rock Shaft (front) Pin
545915	Rock Shaft Crank with 545062 (833) and 545916
545061 (803)	Rock Shaft Crank Adjusting Screw
545916	Rock Shaft Crank Adjusting Screw 545061 (803) with 545405 (809)
545405 (809)	Rock Shaft Crank Adjusting Screw Lock Nut
545062 (833)	Rock Shaft Crank Clamping Screw
545917	Rock Shaft Knee Arm
545919	Rock Shaft Knee Arm complete, Nos. 545917, 545918 and 545920
545918	Rock Shaft Knee Arm Hub with 504105 (809) and 545062 (833)
545062 (833)	Rock Shaft Knee Arm Hub Clamping Screw
545920	Rock Shaft Knee Arm Plate with 504105 (809)
504105 (809)	Rock Shaft Knee Arm Plate Set Screw
504105 (809)	Rock Shaft Knee Arm Set Screw
545921	Rock Shaft Spring
545922	Rock Shaft Stop Dog with 545062 (833)
545062 (833)	Rock Shaft Stop Dog Clamping Screw

MACHINE BASE AND OIL RESERVOIR

540485	Machine Base and Oil Reservoir
143257	Machine Base and Oil Reservoir Gasket (cork)
540471	Machine Base and Oil Reservoir Plug (2)
540486	Oil Reservoir Fastener Catch
540487	Oil Reservoir Fastener Catch Roll Pin
549236 (833)	Oil Reservoir Fastener Catch Screw
540488	Oil Reservoir Fastener Lever
540489	Oil Reservoir Fastener Lever Roll Pin
540490	Oil Reservoir Fastener Shaft
540491	Oil Reservoir Fastener Shaft O-ring
540492	Oil Reservoir Fastener Spring
540493	Oil Reservoir Fastener Washer

THREAD UNWINDER

505656	Thread Unwinder (for two spools) complete, Nos. 545465 (856), 545466 (856), 545467 (856), 546727, 546728, 546729, 546730, 546734, 546735, 546736, 546738, 546740 two each 545468 (856), 546732, 546733, 546737, 546739, 546741 and three 549171
546732	Thread Unwinder Spool Pin (2)
545468 (856)	Thread Unwinder Spool Pin Nut (2)
546739	Thread Unwinder Spool Pin Spring Washer (2)
546741	Thread Unwinder Spool Pin Washer (2)
546738	Thread Unwinder Spool Rest Bushing with 549172 (850)
545466 (856)	Thread Unwinder Spool Rest Bushing Nut
546736	Thread Unwinder Spool Rest Bushing Nut Washer
549172 (850)	Thread Unwinder Spool Rest Bushing Set Screw
546737	Thread Unwinder Spool Rest Felt (2)
546730	Thread Unwinder Spool Rest (for two spools)
546728	Thread Unwinder Spool Rest Rod (lower)
549170 (828)	Thread Unwinder Spool Rest Rod (lower) Set Screw
546729	Thread Unwinder Spool Rest Rod (upper)
545467 (856)	Thread Unwinder Spool Rest Rod (upper) Nut
546727	Thread Unwinder Spool Stand with 549170 (828)

PARTS LIST FOR 391A1 MACHINE

PART NO.	DESCRIPTION	PART NO.	DESCRIPTION
229 (805)	Rotating Hook Oil Flow Regulating Thumb Screw Spring Screw	504048 (833)	Feed Lifting Rock Shaft Collar Set Screw
691 (850)	Throat Plate Screw (2)	504048 (850)	Feed Reverse Lever Hinge Stud Screw (2)
2102	Tension Disc (2)	504048 (833)	Feed Rock Shaft Collar Set Screw
12431	Bed Slide	504048 (833)	Thread Retainer Set Screw
16380	Oil Removing Tube Lint Screen	504051 (850)	Feed Dog Screw (2)
24982	Presser Foot Shank	504051 (850)	Feed Lifting Rock Shaft Oil Wick Plate Screw (2)
26231	Presser Foot Spring	504051 (850)	Feed Rock Shaft Oil Wick Clamping Screw
29852	Oil Removing Tube Retaining Clamp (2)	504063 (825)	Presser Foot Screw
32390	Rotating Hook Bobbin Case Holder Position Bracket	504063 (809)	Slack Thread Regulator Screw
40394	Rotating Hook Bobbin Case Tension Spring	504066 (833)	Arm Shaft (horizontal) Bevel Gear Set (2)
45339	Tension Regulating Thumb Nut Engaging Pin	504069 (833)	Feed and Feed Lifting Eccentric Screw
52033	Throat Plate (small needle hole) for 149031	504071 (833)	Feed Reverse Lever Link Clamping Screw
52130	Thread Take-up Lever Thread Eyelet Bushing	504071 (833)	Oil Pump (centrifugal) (body) Screw
52171	Needle Bar Bushing (lower) Thread Eyelet	504074 (852)	Feed Regulating Stud Head Cap Screw
52239	Arm Spool Pin and Thread Eyelet	504078 (803)	Needle Bar Connecting Stud Clamping Screw
52454	Thread Retainer	504084 (810)	Rotating Hook Bobbin Case Holder Bracket Screw
55623	Rotating Hook Bobbin	504086 (806)	Rotating Hook Bobbin Case Tensioning Screw
62527	Presser Foot Hinge Pin	504087 (806)	Rotating Hook Bobbin Case Tensioning Screw
99691	Tension Indicator Flange Washer	504094 (850)	Feed Regulating Stud Bushing Set Screw
125314	Tension Spring	504095 (850)	Feed and Feed Lifting Eccentric Retaining Collar Set Screw
140411 (802)	Arm Shaft (horizontal) Screw (back)	504095 (850)	Thread Take-up Crank Set Screw
143042	Rotating Hook Shaft Oil Filter Wick (felt)	504099 (809)	Arm Top Cover Screw (4)
143056	Needle Bar Connecting Link Roller Bearing (18)	504101 (850)	Arm Shaft (horizontal) Thrust Collar Screw (2)
143056	Thread Take-up Lever Roller Bearing (18)	504101 (850)	Arm Shaft (upright) Bevel Gear (lower) Screw (2)
143058	Needle Bar Connecting Stud Slide Block	504101 (850)	Belt Safety Guard Shaft Set Screw
143236	Feed Lifting Rock Shaft Oil Plug Screw Washer (fiber)	504101 (850)	Rotating Hook Shaft Bevel Gear Set Screw
143236	Feed Rock Shaft Oil Plug Screw Washer (fiber)	504102 (833)	Arm Shaft (upright) Bevel Gear (upper) Screw (2)
149031	Feed Dog, 19 Teeth 22 teeth to the inch	504103 (803)	Feed Bar Connecting Link Cap Screw
149235 003	Needle Bar Thread Guard	504111 (809)	Feed Lifting Rock Shaft Oil Plug Screw
154781 (850)	Presser Bar Lifting Lever Pin Set Screw	504112 (832)	Feed Bar Carrier Oil Wick Holder Set Screw
154781 (850)	Thread Take-up Spring Regulator Set Screw	504112 (832)	Needle Set Screw
154789 (809)	Bed Slide Spring Screw (2)	504117 (850)	Thread Take-up Crank Clamping Screw
154884	Bed Slide Spring	504118 (803)	Needle Bar Connecting Link Cap Screw
154981 (819)	Feed Connecting Link Screw Nut	504119 (850)	Machine Pulley Set Screw (2)
154983 (873)	Presser Bar Lifting Lever Connecting Rod Nut (2)	504120 (850)	Needle Bar Crank Position Screw
203941	Presser Bar Lifting Link Spring	504122 (819)	Arm Shaft (horizontal) Oil Plug Screw
272111	Feed Bar Connecting Link Oil Wick Clamp	504129 (850)	Presser Bar Bushing (lower) Set Screw
504002 (850)	Arm Shaft (horizontal) Flanged Bushing (back) Set Screw	504145 (809)	Oil Removing Tube Retaining Clamp Set Screw
504002 (850)	Arm Shaft (horizontal) Bushing (center) Set Screw	505001	Arm Dowel Pin (2)
504002 (850)	Arm Shaft (horizontal) Flanged Bushing (front) Set Screw	505008	Arm Spool Pin Washer (felt)
504002 (850)	Feed Regulator Hinge Stud Flanged Bushing Set Screw	505151	Tension Releasing Lever Hinge Pin
504002 (850)	Rotating Hook Shaft Bushing (back) Set Screw	505152	Tension Releasing Lever Spring
504002 (850)	Rotating Hook Shaft Bushing (front) Set Screw	505317	Bed Slide complete, Nos. 12431, 154789 two 154789 (809)
504002 (850)	Thread Take-up Lever Link Hinge Stud Set Screw	505349	Rotating Hook Bobbin Case
504010 829	Arm Side Shield Screw (2)	505350	Rotating Hook Bobbin Case 505333, 40394, 504086 (806) and 504087
504010 829	Feed Lifting Rock Shaft and Feed Rock Shaft Oil Wick Holder Screw	505351	Rotating Hook Bobbin Case Hinge 505353, 505354 and 505355
504010 829	Thread Take-up Lever Guard Screw	505353	Rotating Hook Bobbin Case Latch
504013 850	Feed Bar Carrier Clamping Screw (2)	505354	Rotating Hook Bobbin Case Latch Lever
504025 850	Bell Crank Bracket Set Screw (2)	505355	Rotating Hook Bobbin Case Latch Lever Pin
504028 850	Feed Rock Shaft Flanged Bushing (front) Set Screw	505356	Rotating Hook Bobbin Case Latch Spring
504028 850	Needle Bar Bushing (lower) Set Screw	505358	Rotating Hook Bobbin Case complete 504032 (805), 505350, 505353, 505356
504028 850	Needle Bar Bushing (upper) Set Screw	505569	Needle Bar Connecting Link
504029 833	Feed and Feed Lifting Eccentric Set Screw		
504032 305	Rotating Hook Bobbin Case Latch Stop Screw		
504047 833	Tension Stud Set Screw		

PARTS LIST FOR 391A1 MACHINE

	PART NO.	DESCRIPTION	PART NO.	DESCRIPTION
aw (4)	505591	Thread Take-up Lever with 52130	540455	Oil Wick Holder complete, Nos. 549242 (850), 540454 and two 540453
ar Set	505642	Presser Foot Plate	540456	Presser Bar Guide
	505643	Presser Foot (spring hinged) complete, Nos. 24982, 26231, 62527 and 505642	540457	Presser Bar Lifting Lever
	505647 (805)	Rotating Hook Shaft Oil Filter Wick Holder	540458	Presser Bar Lifting Lever 540457 with 154781 (850) and 545875
	505648	Rotating Hook Shaft Oil Filter complete, Nos. 143042 and 505647 (805)	540459	Presser Bar Lifting Link
mping	505649	Presser Bar Bushing (lower)	540460	Feed Bar complete, Nos. 545987, 545784, 545789, 545791, 545808 and two 504103 (803)
Plate	505650	Thread Take-up Spring	540461	Presser Bar Spring
	540403	Arm Shaft (horizontal) with two 504122 (819)	540462	Presser Bar Spring Washer (2)
	540404	Arm Shaft (horizontal) and Needle Bar Crank complete, Nos. 540403, 549230 (805) and 540451	540463	Pressure Regulating Thumb Screw 549235 (873) with 540456
Screw	540405	Tension Releasing Pin	540464	Face Plate complete, Nos. 540412 and 540414
sition	540406	Arm Shaft (horizontal) Flanged Bushing (front)	540466	Tension complete, Nos. 505650, 125314, 540497, 540405, 540411, 545893, 549858, 99691 and two 2102
	540407	Arm Shaft (horizontal) Flanged Bushing (front) Oil Tube	540467	Tension Regulating Thumb Nut 545471 (873) with 45339
ew	540408	Arm Top Cover with 540410	540468	Feed Reverse Lever Hinge Stud Thrust Washer
	540409	Arm Top Cover Gasket	540469	Feed Regulator Hinge Stud Flanged Bushing
Screw	540410	Arm Top Cover Oil Sight Window	540472	Thread Eyelet and Thread Guard front of arm
sition	540411	Tension Stud 540495 with 540467 and 545474 (873)	540473	Thread Take-up complete, Nos. 545907, 545904, 505591, 540475 and eighteen 143056
	540412	Face Plate	540474	Thread Take-up Crank
gulat-	540413	Face Plate Gasket	540475	Thread Take-up Crank 540474 with 504118 (803), 540439 and eighteen 143056
Spring	540414	Face Plate Plug	540476	Thread Take-up Crank Wearing Plate
	540415	Feed Connecting Link	540477	Thread Take-up Lever Guard
w	540416	Feed Connecting Link Stud	540478	Thread Take-up Lever Oil Guard with 545909
re Re-	540417	Feed Forked Connection	540494	Belt Safety Guard Shaft Hole Plug
	540418	Feed Forked Connection 540417 with 154981 (819), 549231 (803), 540415, 540416, 540419, 545800, 540436 and two 545060 (833)	540495	Tension Stud
r Set	540419	Feed Forked Connection Hinge Stud	540496	Thread Take-up Spring Regulator
ly) Set	540419	Feed Lifting Rock Shaft Crank Connecting Rod Hinge Stud	540497	Thread Take-up Spring Regulator 540496 with 504047 (833)
	540420	Bell Crank complete	545033 (805)	Arm Screw (back) (2)
w (2)	540422	Feed Lifting Rock Shaft Crank Connecting Rod	545034 (805)	Arm Screw (front) (2)
ly) Set	540423	Feed Lifting Rock Shaft Crank Connecting Rod 540422 with two 545059 (810)	545035 (805)	Arm Screw (intermediate)
(2)	540427	Feed Regulating Stud 549232 (830) with 545817	545036 (873)	Arm Shaft (upright) Bevel Gear (upper) Set Screw Hole Plug Screw
(2)	540428	Feed Regulating Stud Bushing 540429 with 545816	545036 (873)	Feed Regulator Set Screw Hole Plug Screw
	540429	Feed Regulating Stud Bushing complete, Nos. 540430 and 540431	545037 (873)	Thread Take-up Crank Clamping Screw Hole Plug Screw
	540430	Feed Regulating Stud Bushing (inner)	545038 (873)	Arm Shaft (horizontal) Flanged Bushing (front) Oil Tube Cap Screw
	540431	Feed Regulating Stud Bushing (outer)	545040 (809)	Face Plate Screw (2)
	540433	Feed Regulating Stud Head complete	545042 (805)	Feed Bar Hinge Pin Clamping Screw (2)
	540435	Feed Regulating Stud Head Lock Pin	545043 819	Feed Lifting Rock Shaft Crank (front) Clamping Screw
ew (2)	540436	Feed Regulator complete, Nos. 545136 (830) and two 549233 (833)	545046 (809)	Feed Reverse Lever Clamping Screw
	540437	Feed Reverse Lever with 545046 (809)	545047 (850)	Feed Reverse Lever Hinge Stud Cap Screw
	540439	Needle Bar Connecting Link 505569 with 540450	545049 805)	Oil Pump (centrifugal) Impeller Locking Screw
1 and	540443	Feed Regulator Hinge Stud Thrust Washer	545050 (805)	Oil Pump (centrifugal) Screen Frame Screw (3)
	540445	Needle Bar (hollow) with 504112 (832)	545053 874	Presser Bar Lifter Hinge Screw
	540446	Needle Bar Bushing (lower)	545054 874	Presser Bar Lifting Lever Hinge Screw
with	540447	Needle Bar Bushing (lower) 540446 with 52171	545055 805)	Rotating Hook Oil Flow Regulating Thumb Screw
306)	540448	Needle Bar Bushing (upper)	545056 833)	Rotating Hook Shaft Oil Retaining Collar Set Screw (2)
Nos.	540449	Needle Bar Connecting Stud	545057 819)	Tension Releasing Lever Screw
	540450	Needle Bar Connecting Stud 540449 with 504078 (803) and 143058	545059 810)	Feed Lifting Rock Shaft Crank Connecting Rod Cap Screw (2)
	540451	Needle Bar Crank with 504095 (850), 504117 (850) and 504120 (850)	545060 833)	Feed Forked Connection Sleeve Screw (2)
r Ful-	540453	Oil Wick (cotton) for Oiling Thread Take-up Lever Roller Bearing 143056, Needle Bar Connecting Link 505569, Thread Take-up Lever 505591 and Thread Take-up Lever Link 545904 (2)	545099 803)	Presser Bar Guide Bracket Clamping Screw
g			545136 830)	Feed Connecting Link Stud Set Screw
Nos. and	540454	Oil Wick Holder	545160 809)	Feed Rock Shaft Oil Plug Screw