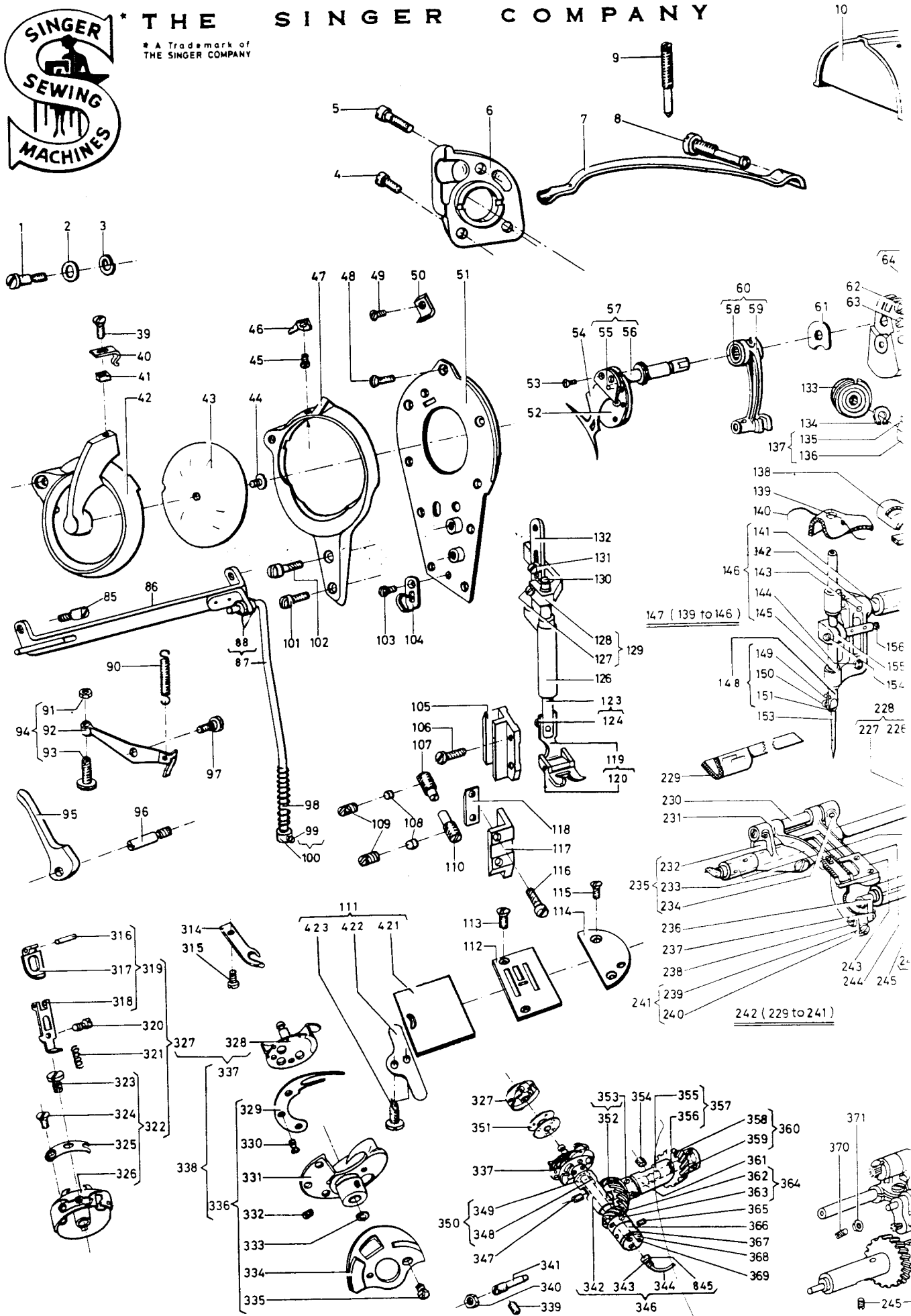


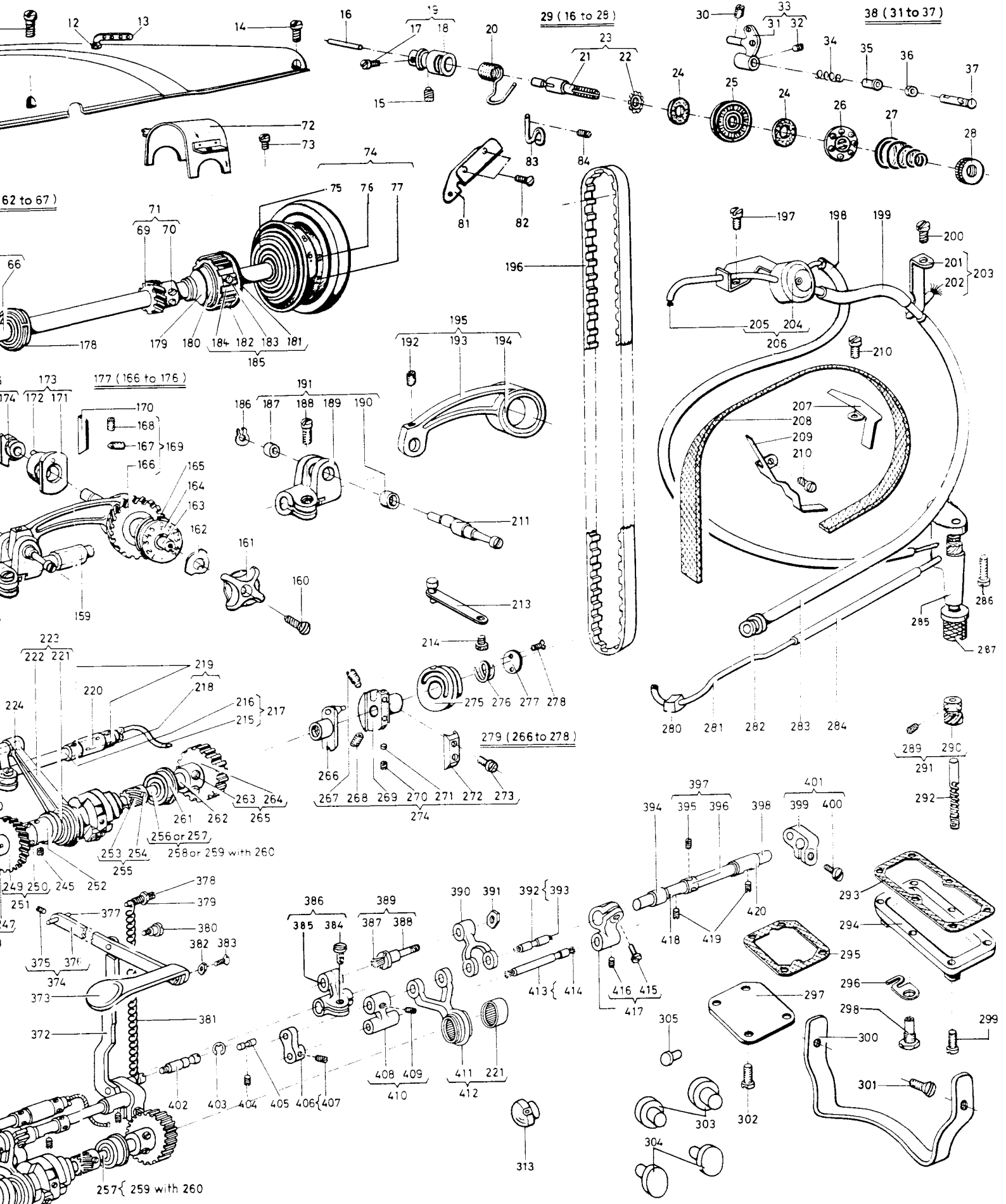
SINGER
457G1,G5



THE SINGER COMPANY

* A Trademark of THE SINGER COMPANY

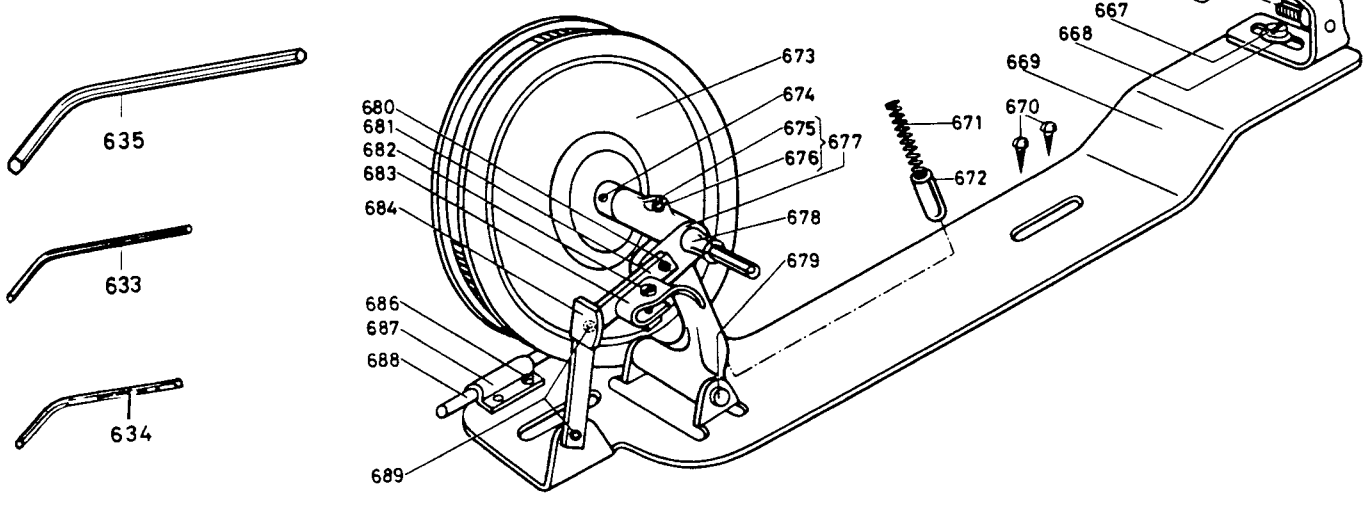
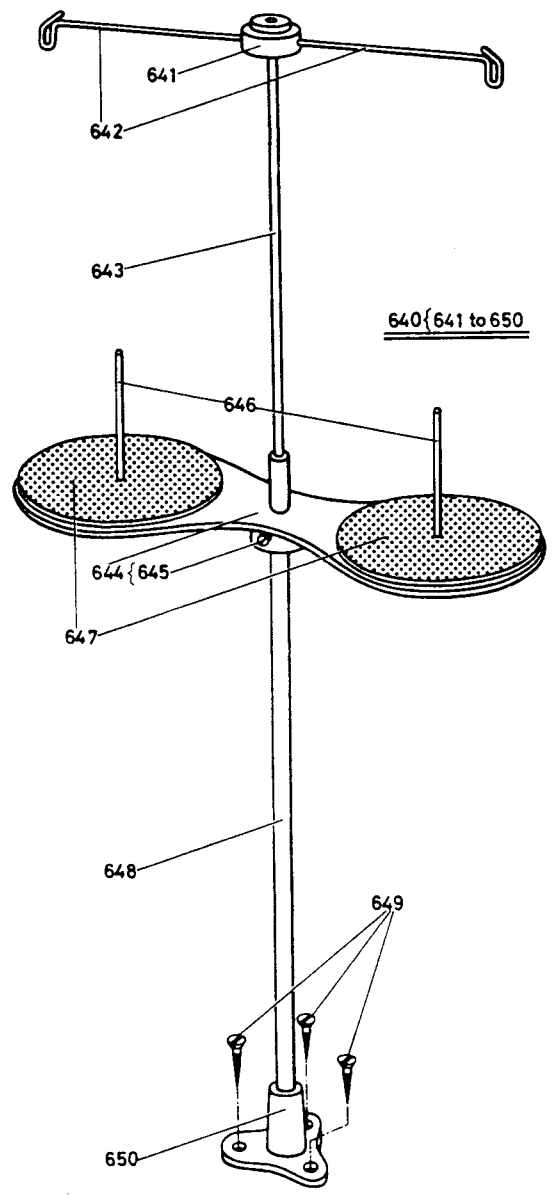
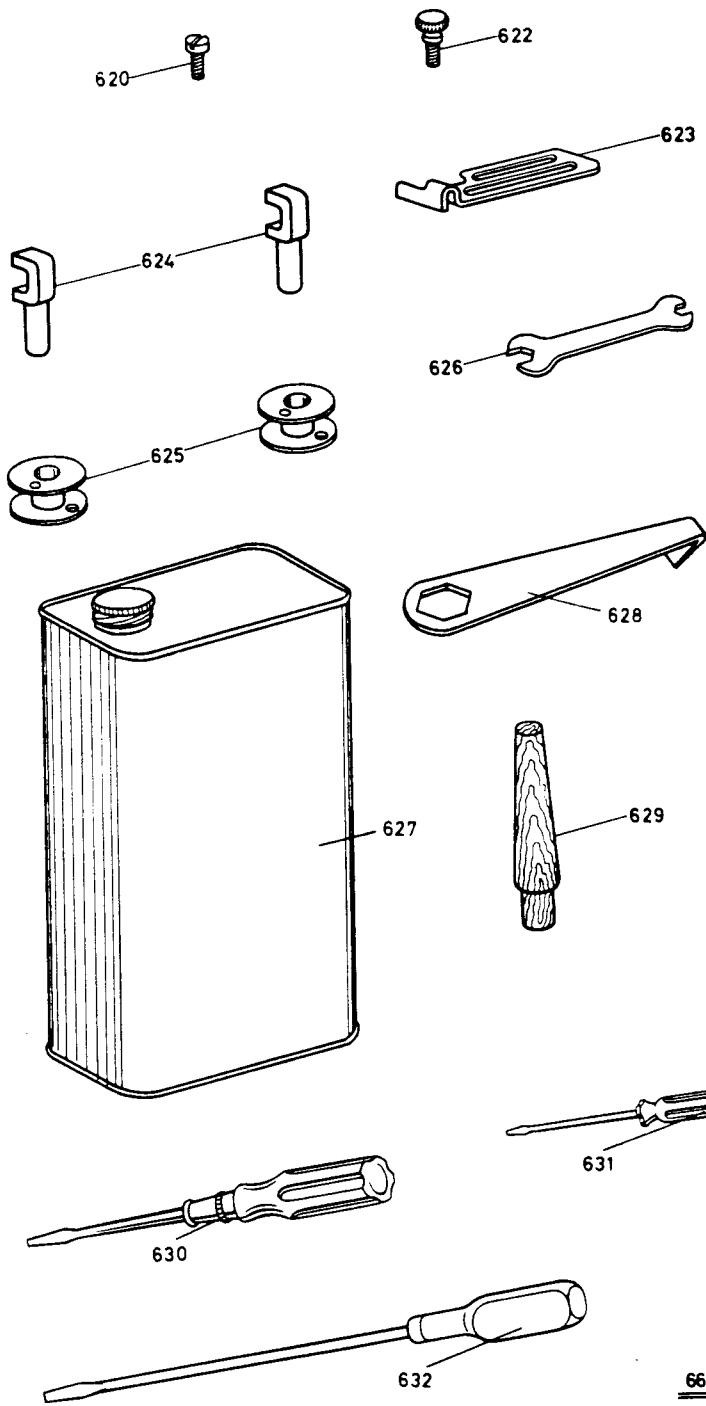




SINGER

457 G1 and 457 G5

Copyright © 1966 by THE SINGER COMPANY Form 30-258 G (Rev.1066) Printed in WESTERN GERMANY



Ill. Ref. No.	Part No.	for Class G1 G5	Name	Components	Ill. Ref. No.	Part No.	for Class G1 G5	Name
1	61-850	x x	Rotary Take-up Guard Hinge Screw		70	500318-833	x x	Needle Vibrating Screw (2)
2	230743-803	x x	Rotary Take-up Guard Hinge Thrust Washer		71	502929-002	x x	Needle Vibrating
3	502622	x x	Rotary Take-up Guard Cover Hinge Screw Spring Washer		72	502630	x x	Needle Vibrating Shield
4	500268-805	x x	Arm Cover (back) Screw (short)(2)		73	207-805	x x	Needle Vibrating Shield Screw
5	500267-805	x x	Arm Cover (back) Screw (long)		74	272227	x x	Machine Pulley
6	502502	x x	Arm Cover (back)		76	272142	x x	Arm Shaft Ball
7	502653	x x	Presser Bar Spring		77	272226	x	Machine Pulley and 141567
8	500261-850	x x	Presser Bar Spring Screw Stud		79	141566-803	x x	Machine Pulley
9	500260-803	x x	Presser Bar Spring Screw (Pressure regulating)		80	141567-803	x x	Machine Pulley
10	502503	x x	Arm Cover (top)		81	502665	x x	Thread Guide
11	500267-805	x x	Arm Cover (top) Screw (front)(2)		82	500246-819	x x	Thread Guide
12	1654-805	x x	Thread Retainer Lock Nut		83	502666	x x	Thread Pull-off
13	502667	x x	Thread Retainer		84	460-819	x x	Thread Pull-off
14	500268-805	x x	Arm Cover (top) Screw (2)		85	140145-803	x x	Knee Lifter Rod Screw (2)
15	500265-850	x x	Thread Take-up Spring Regulator Set Screw		86	502588	x x	Knee Lifter Rod
16	270086	x x	Tension Releasing Pin		87	202302	x x	Knee Lifter Li Pin (2)
17	50305-803	x x	Tension Stud Set Screw		88	502697	x x	Knee Lifter Li
18	502669	x x	Thread Take-up Spring Regulator Cpl.	50305, 502669	89	502585	x x	Knee Lifter Li
19	502698	x x	Thread Take-up Spring		90	502662	x x	Tension Release
20	502668	x x	Thread Take-up Spring		91	1747-805	x x	Tension Release Screw Lock Nut
21	50304	x x	Tension Stud		92	502660-001	x x	Tension Release
22	272220	x x	Tension Washer	50304, 272220	93	500259-803	x x	Tension Release Screw
23	276225	x x	Tension Stud		94	502661-001	x x	Tension Release
24	202079	x x	Tension Wheel Washer (felt)(2)		95	276027	x x	Presser Bar Li
25	272221	x x	Tension Wheel		96	1349-803	x x	Presser Bar Li
26	272218	x x	Tension Releasing Disc		97	500275-803	x x	Tension Release
27	272219	x x	Tension Spring		98	502586	x x	Knee Lifter Li
28	1560-803	x x	Tension Thumb Nut	1560, 270086, 272218, 272219, 272221, 276225, 502668, 502698, two 202079	99	200113-806	x x	Knee Lifter Li Set Screw
29	502663	x x	Tension (rotary) Complete		100	227227	x x	Knee Lifter Li with 200113
30	50429-833	x x	Pretension Bracket Screw		101	1454-819	x x	Rotary Take-up
31	502654	x x	Pretension Bracket	460, 502654	102	1485-819	x x	Rotary Take-up
32	460-819	x x	Pretension Stud Set Screw		103	500262-819	x x	Thread Guide
33	502699	x x	Pretension Bracket Cpl.		104	276051	x x	Thread Guide
34	272208	x x	Pretension Spring		105	502604	x x	Needle Bar Connecting Block
35	210993	x x	Pretension Sleeve		106	51369-850	x x	Needle Bar Connecting Block Screw (2)
36	210958	x x	Pretension Stud Collar	210958, 210993, 272208, 272209, 502699	107	500255-803	x x	Needle Bar Yoke
37	272209	x x	Pretension Stud		108	241763	x x	Needle Bar Yoke Packing (2)
38	502658	x x	Pretension Bracket Complete		109	462-830	x x	Needle Bar Yoke
39	500246-819	x x	Rotary Take-up Guard Cover Spring Catch Screw		110	500254-803	x x	Needle Bar Yoke
40	276508	x x	Rotary Take-up Guard Cover Spring Catch		111	502522	x x	Bed Slide
41	1529-805	x x	Rotary Take-up Guard Cover Spring Catch Screw Nut		112	210600	x x	Throat Plate
42	502657	x x	Rotary Take-up Guard Cover		113	500244-833	x x	Throat Plate
43	272128	x x	Rotary Take-up Guard Cover Window		114	210505	x x	Bed Plate (back)
44	1423-819	x x	Rotary Take-up Guard Cover Window Screw		115	500244-833	x x	Bed Plate (back)
45	237-819	x x	Thread Cutter Screw		116	51369-850	x x	Needle Bar Connecting Clamping Plate
46	502670	x x	Thread Cutter		117	502600	x x	Needle Bar Connecting Guide Block
47	502656	x x	Rotary Take-up Guard		118	502601	x x	Needle Bar Connecting Clamping Plate
48	500246-819	x x	Face Plate Screw (9)		119	202090	x x	Presser Foot H
49	500262-819	x x	Thread Cutter Screw		120	203029	x	Presser Foot P
50	502664	x x	Thread Cutter		121	503617	x	Presser Foot P
51	502537	x x	Face Plate		122	210620	x x	Presser Foot S
52	502659	x x	Rotary Take-up Mounting Disc with three 272212		122	210569	x	Presser Foot (1)
53	500244-833	x x	Rotary Take-up Screw (2)		123	500256-803	x x	Presser Foot Sc
54	502655	x x	Rotary Take-up		124	502695	x x	Presser Bar
55	270161	x x	Needle Bar Crank Stud Pin	270161, 502607	125	502652	x x	Presser Bar Connecting
56	502607	x x	Needle Bar Crank Stud		126	276536	x x	Presser Bar Bus
57	502694	x x	Needle Bar Crank Stud Cpl.		127	51369-850	x x	Presser Bar Positioning Pinch Screw
58	270266	x x	Needle Bar Connecting Link Needle Bearing		128	502645	x x	Presser Bar Positioning
59	*502599	x x	Needle Bar Connecting Link		129	502696	x x	Presser Bar Positioning Complete
60	502598	x x	Needle Bar Connecting Link Complete	270266, 502599	130	276025	x x	Presser Bar Positioning
61	276114	x x	Needle Bar Connecting Link Thrust Washer		131	86-803	x x	Knee Lifter Li
62	140172-803	x x	Needle Bar Crank Stud Pinch Screw		132	502584	x x	Knee Lifter Li
63	1259-830	x x	Needle Bar Crank Stud Positioning Screw		133	272144	x x	Needle Vibrating Bearing (rear)
64	*502605	x x	Needle Bar Crank		134	502634	x x	Needle Vibrating Bearing Snap R
65	502927	x x	Arm Shaft and Needle Bar Crank Pin		135	447-830	x x	Needle Vibrating Stop Set Screw
66	*502722-001	x x	Arm Shaft	502605, 502722-001	136	502629	x x	Needle Vibrating
67	502723-001	x x	Arm Shaft and Needle Bar Crank Complete	1259, 140172, 502723-001				
68	502681-001	x x	Arm Shaft Complete					
69	265837	x x	Needle Vibrating Pinion					

List of Parts 457 G1/G5 to SINGE

Ill. Ref. No.	Part No.	For Class G1 G5	Name	Components	Ill. Ref. No.	Part No.
307	502899	x x	Hook Gear Box Vent Complete	500248-002, 502900, 502901	368	502611
					369	1472-805
308	500248-002	x x	Hook Gear Box Vent Screw		370	500286-803
309	502901	x x	Hook Gear Box Vent Tube			
310	502903	x x	Hook Gear Box Vent Adaptor Clamping Sleeve Nut		371	1520-803
311	502904	x x	Hook Gear Box Vent Adaptor Clamping Sleeve		372	502743
312	502902	x x	Hook Gear Box Vent Adaptor Nipple		373	502749
313	502900	x x	Hook Gear Box Vent Adaptor with 502902, 502903, 502904		374	502746
314	502536	x x	Bobbin Case Stop		375	460-850
315	190-805	x x	Bobbin Case Stop Screw		376	502747
316	210735	x x	Bobbin Case Latch Fulcrum Pin		377	502748
317	502717	x x	Bobbin Case Latch Lever		378	350583-819
318	210913	x x	Bobbin Case Latch		379	1517-819
319	502529	x x	Bobbin Case Latch Complete	210735, 210913, 502717	380	140379-803
320	200964-803	x x	Bobbin Case Latch Stop Screw		381	502745
321	210736	x x	Bobbin Case Latch Spring		382	51676-819
322	502716	x x	Bobbin Case Cap Complete	200592, 201016, 271964, 502528	383	1319-819
323	201016-803	x x	Bobbin Case Tension Spring Regulating Screw		384	500227-805
324	200592-803	x x	Bobbin Case Tension Spring Screw		385	502734
325	271964	x x	Bobbin Case Tension Spring		386	502733
326	502528	x x	Bobbin Case Cap		387	206758
327	502530	x x	Bobbin Case Cap Complete	200964, 210736, 502529, 502716	388	500285-803
328	502527	x x	Bobbin Case Base		389	502735
329	502538	x x	Hook Gib			
330	141525-806	x x	Hook Gib Screw (3)		390	502732
331	502532	x x	Hook Body with 502535, 502563		391	1708-803
332	500306-830	x x	Hook Set Screw			
333	502563	x x	Hook Oil Retaining Washer		392	276171
334	502539-002	x x	Hook Needle Guard and Counterbalance		393	244071
335	141507-803	x x	Hook Needle Guard and Counterbalance Screw		394	502737
336	502562	x x	Hook Complete	141507, 502532, 502538, 502539-002, two 500306, three 141525, 502527, 502530	395	500288-803
					396	502740
					397	502739
337	502531	x x	Bobbin Case Complete	502531, 502562	398	502738
338	502534	x x	Hook and Bobbin Case Cap Cpl.		399	502742
339	457-805	x x	Hook Oil Bypass Plug Screw		400	1404-805
340	500786-805	x x	Hook Oil Regulating Screw Nut		401	502741
341	500247-805	x x	Hook Oil Regulating Screw		402	500287-803
342	502568	x x	Hook Shaft		403	502744
343	276236-805	x x	Hook Shaft Oil Filter Wick Screw		404	453-803
344	502928	x x	Hook Shaft Oil Filter Felt (wick)		405	276209
345	502580	x x	Hook Shaft Oil Filter Wick Screw Holder Seal		406	276208
346	502677	x x	Hook Shaft Complete	276236, 502568, 502580, 502928	407	200386-803
347	858-830	x x	Hook Shaft Pressure Bushing (back) Set Screw		408	502731
348	502582	x x	Hook Shaft Pressure Bushing (back) Oil Wick		409	458-830
349	502581	x x	Hook Shaft Pressure Bushing (back) Complete	502581, 502582	410	502730
350	502676	x x	Hook Driving Shaft Bevel Gear with two 1259		411	502729
351	502526	x x	Bobbin		412	502728
352	143014	x x	Hook Driving Shaft Bevel Gear Set Screw (2)		413	276206
353	1259-830	x x	Hook Driving Shaft Bevel Gear Set Screw (2)		414	276207
354	858-830	x x	Hook Driving Shaft Bushing Set Screw		415	200040-805
355	502566	x x	Hook Driving Shaft Bushing Oil Wick		416	200386-803
356	502533	x x	Hook Driving Shaft Bushing Oil Wick		417	270830
357	502713	x x	Hook Driving Shaft Helical Gear	Cpl. 502533, 502566	418	276179
358	502567	x x	Hook Driving Shaft Helical Gear Set Screw (2)		419	453-803
359	1259-830	x x	Hook Driving Shaft Helical Gear Complete	502567, two 1259	420	276162
360	502714	x x	Hook Driving Shaft Helical Gear Complete			
361	502565	x x	Hook Driving Shaft			
362	502569	x x	Hook Shaft Bevel Gear			
363	1259-830	x x	Hook Shaft Bevel Gear Set Screw (2)			
364	502715	x x	Hook Shaft Bevel Gear Cpl.	502569, two 1259		
365	500264-830	x x	Hook Shaft Bushing (front) Set Screw			
366	502610	x x	Hook Shaft Bushing (front)			
367	502572	x x	Hook Shaft Bushing (front) Cap Gasket			

No.	for Class G1 G5	Name	Components	Ill. Ref. No.	Part No.	for Class G1 G5	Name	Components
	x x	Needle Bar Yoke Connecting Link Hinge Bearing Bushing (large)		246	502515	x x	Bed Shaft Bushing (front)	
	x x	Needle Bar Yoke Connecting Link Hinge Bearing Complete	160,502616-001, 502617,502618	247	502516	x x	Bed Shaft Bushing (front) Oil Wick	
	x x	Needle Bar Yoke Connecting Link Hinge Bearing Complete		248	502703	x x	Bed Shaft Bushing (front) Complete	502515,502516
	x x	Needle Bar Yoke Connecting Link Eccentric Stud Set Screw		249	502519	x x	Bed Shaft Gear	
0-833	x x	Needle Bar Yoke Connecting Link Eccentric Stud Set Screw		230	1259-830	x x	Bed Shaft Gear Set Screw (2)	
	x x	Needle Bar Yoke Connecting Link		251	502712	x x	Bed Shaft Gear Complete	502519, two 1259
	x x	Needle Bar Yoke Connecting Link		252	502514	x x	Bed Shaft Bushing (center)	
	x x	Needle Bar Yoke Connecting Link Bushing		253	502506	x x	Oil Pump Driving Gear	
	x x	Needle Bar Yoke Connecting Link Cpl.	50429,502613, 502724	254	1258-830	x x	Oil Pump Driving Gear Set Screw (2)	
	x x	Needle Bar Yoke Connecting Link Cpl.		255	502705	x x	Oil Pump Driving Gear Cpl.	502506, two 1258
	x x	Arm Shaft Connection Belt		256	502513-001	x	Bed Shaft	
1-805	x x	Oil Sight Body Screw (2)		257	502513-002	x	Bed Shaft	
5-001	x x	Oil Delivery Tube		258	502678-001	x	Bed Shaft Cpl.	502513-001, 502579
7-001	x x	Oil Return Tube (upper)(short)		259	502678-002	x	Bed Shaft Complete	502513-002, 502579
7-805	x x	Needle Vibrating Gear Oiler Screw		260	502579	x x	Bed Shaft Oil Wick	
	x x	Needle Vibrating Gear Oiler		261	272144	x x	Bed Shaft Ball Bearing	
	x x	Needle Vibrating Gear Oiler Wick		262	502518-001	x x	Bed Shaft Connection Belt Pulley Spacer	
	x x	Needle Vibrating Gear Oiler Complete	502631,502636	263	500319-830	x x	Bed Shaft Connection Belt Set Screw (2)	
1-001	x x	Oil Sight Body		264	502517	x x	Bed Shaft Connection Belt Pulley	
1	x x	Oil Sight Body Wick		265	502704	x x	Bed Shaft Connection Belt Pulley Complete	502517, two 500319
60-001	x x	Oil Sight Body Complete	502651,502671-001	266	*502551-002	x x	Feed Driving Eccentric	
5	x x	Arm Head Oil Drain Wick Clamp (front)		267	500274-830	x x	Feed Driving Flange Position Screw	
04-001	x x	Arm Head Oil Drain Wick Clamp (back)		268	500272-830	x x	Feed Driving Flange Set Screw	
19	x x	Arm Head Oil Drain Wick Clamp (back and front) Screw (2)		269	502556	x x	Feed Driving Flange	
07-805	x x	Needle Bar Yoke Connecting Link Eccentric Stud		270	460-805	x x	Feed Driving Eccentric Friction Gib Adjusting Screw Set Screw (2)	
14	x x	Bed Plug Screw		271	502555	x x	Feed Driving Eccentric Friction Gib Adjusting Screw Set Screw Packing (2)	
25	x x	Feed Regulating Stud Button		272	502554	x x	Feed Driving Eccentric Friction Gib	
61	x x	Feed Regulating Stud Spring		273	50578-805	x x	Feed Driving Eccentric Friction Gib Adjusting Screw (2)	
25-805	x x	Feed Driving Rock Shaft Oiling Wick		274	502707	x x	Feed Driving Flange Complete	500272,500274, 502554,502556, two each 460, 50578,502555
60-001	x x	Feed Driving Rock Shaft Cpl.502557,502560-001		275	502944	x x	Feed Driving Eccentric Adjusting Disc	
57	x x	Feed Driving Rock Shaft		276	270508	x x	Feed Driving Eccentric Adjusting Disc Spring	
09	x x	Feed Driving Rock Shaft Collar Set Screw (4)		277	502553	x x	Feed Driving Eccentric Adjusting Disc Spring Retainer	
93-803	x x	Feed Driving Rock Shaft Collar with two 200393 (2)		278	140082-805	x x	Feed Driving Eccentric Adjusting Disc Spring Retainer Screw (2)	
44	x x	Feed Driving Rock Shaft Bushing (back and front)(2)		279	502943	x x	Feed Driving Eccentric Cpl.	270508,502551-002 502944,502553, 502707,two 140082
16	x x	Feed Driving Connection Needle Bearing		280	502886	x x	Hook Shaft Gear Box Oil Pipe Holder	
49	x	Feed Driving Connection Cpl.270016,502549		281	502575	x x	Hook Shaft Gear Box Oil Pipe	
48	x	Feed Driving Connection Hinge Screw		282	502649	x x	Oil Return Tube (lower) Grommet	
58-803	x	Feed Driving Connection Hinge Nut		283	502648-001	x x	Oil Return Tube (lower) (long)	
785-805	x	Feed Driving Connection Crank Complete	500227,502550	284	502576-001	x x	Hook Shaft Gear Box Oil Tube (plastic)	
50	x	Feed Bar Hinge Pin Oiling Felt		285	502701	x x	Oil Pump Outlet Tube	
57-805	x	Feed Bar Hinge Pin		286	502643	x x	Oil Pump Body	
	x	Feed Bar Hinge Pin Thrust Washer (2)		287	502700	x x	Oil Pump Body Complete	502643,502701
59	x x	Feed Driving Rock Shaft Crank Pinch Screw		288	1186-803	x x	Oil Pump Mounting Screw (2)	
27-805	x x	Feed Driving Rock Shaft Crank Pinch Screw		289	50311-830	x x	Oil Pump Gear Set Screw (2)	
24-833	x x	Feed Bar Hinge Pin Set Screw		290	502644	x x	Oil Pump Gear	
710	x x	Feed Driving Rock Shaft Crank Complete	500257,502559, two 624	291	502702	x x	Oil Pump Gear Complete	502644,two 50311
	x x	Feed Bar Lifting Link		292	502646	x x	Oil Pump Screw Shaft	
88-803	x x	Feed Bar Lifting Link Hinge Pin Cap Screw		293	502521	x x	Bed Shaft Gear Box Cover Gasket	
546	x x	Feed Bar Lifting Link Hinge Pin		294	502520	x x	Bed Shaft Gear Box Cover	
40-002	x x	Feed Bar		295	502574	x x	Hook Shaft Gear Box Cover Gasket	
578-805	x x	Feed Bar Lifting Link Hinge Pin Pinch Screw		296	502543	x x	Feed Bar Hinge Pin Oiling Felt Clamp	
711-002	x x	Feed Bar Complete	50578,502540-002	297	502573	x x	Hook Shaft Gear Box Cover	
575-002	x x	Feed Driving Rock Shaft Crank Complete	51388,502541, 502542,502545, 502546,502710, 502711-002, two 502544	298	500245-805	x x	Bed Shaft Gear Box Overflow and Drain Plug Screw	
	x x	Feed Dog		299	500263-805	x x	Bed Shaft Gear Box Cover Screw (6)	
	x x	Machine Leg (rear)		300	502593	x x	Machine Leg (rear)	
	x x	Machine Leg Screw (2)		301	500250-819	x x	Machine Leg Screw (2)	
	x x	Hook Shaft Gear Box Cover Screw		302	500263-805	x x	Hook Shaft Gear Box Cover Screw	
	x x	Bed Spacer (rear and right end)(3)		303	502885	x x	Bed Spacer (rear and right end)(3)	
	x x	Bed Spacer (front)		304	502884	x x	Bed Spacer (front)	
	x x	Hook Shaft Gear Box Plug		305	502577	x x	Hook Shaft Gear Box Plug	
	x x	Hook Shaft Gear Box Screw		306	502578	x x	Hook Shaft Gear Box Screw	

List of Parts 457G1/G5 to SINGER Form 30-25

Class	Name	Components	Ill. Ref. No.	Part No.	for Class G1 G5	Name	Components	Ill. Ref. No.
x	Needle Vibrating Pinion Set Screw (2)		137	502683	x x	Needle Vibrating Eccentric Stop Complete	447,502629	190 50
x	Needle Vibrating Pinion Cpl.	265837, two 500318	138	502619	x x	Needle Bar Yoke Connecting Link Hinge Bearing Oiling Felt		191 50
x	Needle Vibrating Gear Oil Shield		139	502608	x x	Needle Bar Oiling Felt		192 50
x	Needle Vibrating Gear Oil Shield Screw		140	502594	x x	Needle Bar Oiling Felt Cord		192 50
x	Machine Pulley Complete	272142,272226	141	*502689-001	x x	Needle Bar Yoke Shaft		193 *50
x	Arm Shaft Ball Bearing (back)		142	*502609	x x	Needle Bar Yoke		193 *50
x	Machine Pulley with 141566 and 141567		143	*502570	x x	Needle Bar Yoke Pin		194 *50
x	Machine Pulley Position Screw		144	*502571	x x	Needle Bar Yoke Guide Pin		194 *50
x	Machine Pulley Set Screw		145	*502690	x x	Needle Bar Bearing (2)		195 50
x	Thread Guide (front of Arm)		146	502688-001	x x	Needle Bar Yoke Complete	502570,502571, 502609,502689-001, two 502690	195 50
x	Thread Guide (front of Arm) (2)		147	502687-001	x x	Needle Bar Yoke Complete	502594,502608, 502688-001	196 50
x	Thread Pull-off		148	502905	x x	Needle Bar		197 50
x	Thread Pull-off Set Screw		149	238-819	x x	Needle Bar Thread Guide Screw		198 50
x	Knee Lifter Rock Frame Hinge Screw (2)		150	223-803	x x	Needle Set Screw		199 50
x	Knee Lifter Rock Frame		151	502597	x x	Needle Bar Thread Guide		200
x	Knee Lifter Lifting Rod Cotter Pin (2)		152	502906	x x	Needle Bar Complete	223,238,502597, 502905	201 50
x	Knee Lifter Lifting Rod		153	Cat. 1905	x x	Needle		202 50
x	Knee Lifter Lifting Rod Cpl.	502697,two 202302	154	500251-803	x x	Needle Bar Connecting Stud Pinch Screw		203 50
x	Tension Releaser Spring		155	502602	x x	Needle Bar Connecting Stud		204 50
x	Tension Releaser Adjusting Screw Lock Nut		156	502603	x x	Needle Bar Connecting Stud Oil Wick		205 50
x	Tension Releaser		157	502693	x x	Needle Bar Connecting Stud Complete	500251,502602, 502603	206 50
x	Tension Releaser Adjusting Screw		158	502674	x x	Needle Bar Connecting Stud Complete		207 50
x	Tension Releaser Complete	1747,500259, 502660-001	159	502672	x x	Needle Bar Yoke Bearing (front)		208 50
x	Presser Bar Lifter		160	51464-819	x x	Needle Bar Yoke Bearing (back)		209 50
x	Presser Bar Lifter Hinge Screw		161	502621	x x	Needle Vibrating Adjusting Eccentric Knob Screw		210
x	Tension Releaser Hinge Screw		162	502624	x x	Needle Vibrating Adjusting Eccentric Knob		211 50
x	Knee Lifter Lifting Rod Spring		163	502633	x x	Needle Vibrating Adjusting Eccentric Knob Spring		212 50
x	Knee Lifter Lifting Rod Collar Set Screw		164	502623	x x	Needle Vibrating Shaft		213 50
x	Knee Lifter Lifting Rod Collar with 200113		165	272143	x x	Needle Vibrating Adjusting Eccentric Knob Dial		214
x	Rotary Take-up Guard Screw (short)		166	502627	x x	Needle Vibrating Shaft Bearing (front)		215 50
x	Rotary Take-up Guard Screw (long)		167	502627	x x	Needle Vibrating Eccentric Driving Flange		216 50
x	Thread Guide Screw		168	500283-830	x x	Needle Vibrating Eccentric Friction Gib Adjusting Screw (2)		217 50
x	Thread Guide		169	853-830	x x	Needle Vibrating Eccentric Friction Gib Adjusting Screw Set Screw (2)		218 20
x	Needle Bar Connecting Stud Guide Block		170	502684	x x	Needle Vibrating Eccentric Driving Flange Complete	502627,two each 853,500283	219 20
x	Needle Bar Connecting Stud Guide Block Screw (2)		171	502628	x x	Needle Vibrating Eccentric Friction Gib		220 50
x	Needle Bar Yoke Guide (rear)		172	*502625	x x	Needle Vibrating Eccentric Friction Gib		221 *50
x	Needle Bar Yoke Guide Set Screw		173	*502685	x x	Needle Vibrating Eccentric Friction Gib		222 *50
x	Needle Bar Yoke Guide Set Screw (2)		174	502620	x x	Needle Vibrating Eccentric Friction Gib		223 *50
x	Needle Bar Yoke Guide (front)		175	1258-830	x x	Needle Vibrating Eccentric Friction Gib		224 *50
x	Red Slide		176	502626	x x	Needle Vibrating Eccentric Friction Gib		225 50
x	Throat Plate		177	*502685	x x	Needle Vibrating Eccentric Friction Gib		226 50
x	Throat Plate Screw (2)		178	502620	x x	Needle Vibrating Eccentric Friction Gib		227 50
x	Bed Plate (back)		179	502626	x x	Needle Vibrating Eccentric Friction Gib		228 50
x	Bed Plate (back) Screw (2)		180	502510	x x	Needle Vibrating Eccentric Friction Gib		229 50
x	Needle Bar Connecting Link Clamping Plate Screw (2)		181	214206	x x	Needle Vibrating Eccentric Friction Gib		230 50
x	Needle Bar Connecting Link Guide Block		182	500274-830	x x	Needle Vibrating Eccentric Friction Gib		231 50
x	Needle Bar Connecting Link Clamping Plate		183	500272-830	x x	Needle Vibrating Eccentric Friction Gib		232 50
x	Presser Foot Hinge Pin		184	502509	x x	Needle Vibrating Eccentric Friction Gib		233 50
x	Presser Foot Plate		185	502682	x x	Needle Vibrating Eccentric Friction Gib		234 50
x	Presser Foot Plate		186	272143	x x	Needle Vibrating Eccentric Friction Gib		235 50
x	Presser Foot Shank		187	502511-001	x x	Needle Vibrating Eccentric Friction Gib		236 50
x	Presser Foot (hinged) Cpl.	202090,203029, 210620	188	502510	x x	Needle Vibrating Eccentric Friction Gib		237 50
x	Presser Foot (hinged) Cpl.	202090,210620, 503617	189	214206	x x	Needle Vibrating Eccentric Friction Gib		238 50
x	Presser Foot Screw		190	502510	x x	Needle Vibrating Eccentric Friction Gib		239 50
x	Presser Bar		191	214206	x x	Needle Vibrating Eccentric Friction Gib		240 50
x	Presser Bar Complete	500256,502695	192	500274-830	x x	Needle Vibrating Eccentric Friction Gib		241 50
x	Presser Bar Bushing		193	500272-830	x x	Needle Vibrating Eccentric Friction Gib		242 50
x	Presser Bar Position Guide Pinch Screw		194	502509	x x	Needle Vibrating Eccentric Friction Gib		243 50
x	Presser Bar Position Guide		195	502682	x x	Needle Vibrating Eccentric Friction Gib		244 50
x	Presser Bar Position Guide Complete	51369,502645	196	502682	x x	Needle Vibrating Eccentric Friction Gib	214206,500272, 500274,502509	245 50
x	Presser Bar Ball		197	502615	x x	Needle Vibrating Eccentric Friction Gib		246 50
x	Knee Lifter Lifting Link Screw		198	502618	x x	Needle Vibrating Eccentric Friction Gib		247 50
x	Knee Lifter Lifting Link		199	502618	x x	Needle Vibrating Eccentric Friction Gib		248 50
x	Needle Vibrating Shaft Bearing (rear)		200	160-805	x x	Needle Vibrating Eccentric Friction Gib		249 50
x	Needle Vibrating Shaft Bearing Snap Ring		201	502616-001	x x	Needle Vibrating Eccentric Friction Gib		250 50
x	Needle Vibrating Shaft Bearing Snap Ring		202	502616-001	x x	Needle Vibrating Eccentric Friction Gib		251 50
x	Needle Vibrating Eccentric Stop Set Screw		203	502616-001	x x	Needle Vibrating Eccentric Friction Gib		252 50
x	Needle Vibrating Eccentric Stop		204	502616-001	x x	Needle Vibrating Eccentric Friction Gib		253 50

Name	Components
x Hook Shaft Bushing (front) Cap	
x Hook Shaft Bushing (front) Cap Set Screw (3)	
x Feed Reversing Mechanism	
x Support Link Stop Screw	
x Feed Reversing Mechanism	
x Support Link Stop Screw Nut	
x Feed Reversing Lever Connecting Link	
x Feed Reversing Lever Handle	
x Feed Reversing Lever Cpl.	460,502747
x Feed Reversing Lever Set Screw	
x Feed Reversing Lever	
x Feed Reversing Lever Stud	
x Feed Reversing Spring Screw	
x Feed Reversing Spring Screw Nut	
x Feed Reversing Lever Hinge Screw	
x Feed Reversing Spring	
x Feed Reversing Lever Handle Screw Nut	
x Feed Reversing Lever Handle Screw	
x Feed Driving Connection Crank Pinch Screw	
x Feed Driving Connection Crank	
x Feed Driving Connection Crank Complete	500257,502734
x Feed Driving Connection Crank Hinge Screw Oil Wick	
x Feed Driving Connection Crank Hinge Screw	
x Feed Driving Connection Crank Hinge Screw Complete	206758,500285
x Feed Driving Connection Link	
x Feed Driving Connection Crank Hinge Screw Nut	
x Feed Driving Eccentric Connection Link Hinge Pin with 244071	
x Feed Driving Eccentric Connection Link Hinge Pin Oil Packing (wick)	
x Feed Reversing Shaft Spacer	
x Feed Reversing Shaft Collar Set Screw	
x Feed Reversing Shaft Collar	
x Feed Reversing Shaft Collar Complete	502740, two 500288
x Feed Reversing Shaft	
x Feed Reversing Lever Connecting Crank	
x Feed Reversing Lever Connecting Crank Pinch Screw	
x Feed Reversing Lever Connecting Crank Complete	1404,502742
x Feed Reversing Lever Connecting Link Stud	
x Feed Reversing Lever Connecting Link Stud Retainer	
x Feed Reversing Mechanism Support Link Stud Set Screw	
x Feed Reversing Mechanism Support Link Stud	
x Feed Reversing Mechanism Support Link with 200386	
x Feed Reversing Shaft Crank Hinge Stud Set Screw	
x Feed Reversing Shaft Crank Link	
x Feed Driving Eccentric Connection Link Hinge Pin Set Screw	
x Feed Reversing Shaft Crank Link Complete	458,502731
x Feed Driving Connection	
x Feed Driving Connection Cpl.	270016,502729
x Feed Reversing Shaft Crank Hinge Stud with 276207	
x Feed Reversing Shaft Crank Hinge Stud Oil Packing (wick)	
x Feed Reversing Shaft Crank Pinch Screw	
x Hinge Stud Set Screw	
x Feed Reversing Shaft Crank with 200040 and 200386	
x Feed Reversing Shaft Bushing (front)	
x Feed Reversing Shaft Bushing (back and front) Set Screw (2)	
x Feed Reversing Shaft Bushing (back)	

FOR INFORMATION

*502501-001	x	Arm
*502501-002	x	Arm
*502721-001	x	Arm and Bed (bolted and painted)
*502721-002	x	Arm and Bed (bolted and painted)
204235	x	Arm Position Pin (2)
116-805	x	Arm Set Screw (4)
202005	x	Arm Set Screw Washer (4)
*502512-001	x	Bed
*502512-002	x	Bed
*508336-015	x	Variety Plate
*508336-054	x	Variety Plate
228485	x	Variety Plate Drive Screw (2)

Parts marked with an asterisk (*) are furnished only when repairs are made at the factory.

Accessories

FOR CLASS 457 G 1 and G 5 MACHINES

Machine Base and Oil Reservoir with Knee Lifter			
501	502637	Oil Filter	
502	502587-001	Knee Lifter Plunger	
503	502642	Machine Base and Oil Reservoir Static Grounding Contact Wire	
504	502641	Machine Base and Oil Reservoir Static Grounding Contact	
505	502640	Machine Base and Oil Reservoir Gasket (short)	
506	502639-001	Machine Base and Oil Reservoir Gasket (long)	
507	502638	Machine Base and Oil Reservoir Knee Lifter Knee Plate Arm	
508	502583	Knee Lifter Knee Plate Set Screw	
509	350231-803	Knee Lifter Knee Plate with 350231	
510	288364	Knee Lifter Rock Shaft Hub Pinch Screw (2)	
511	500249-805	Knee Lifter Rock Shaft Hub	
512	502591	Knee Lifter Rock Shaft Hub Cpl.	502591, two 500249
513	502720	Knee Lifter Rock Shaft Collar with two 200386	
514	268072	Knee Lifter Rock Shaft Collar Set Screw (2)	
515	200386-803	Knee Lifter Rock Shaft Crank	
516	502589	Knee Lifter Rock Shaft Crank Pinch Screw	
517	502590	Knee Lifter Rock Shaft Crank Stop Screw (right)	
518	500266-805	Knee Lifter Rock Shaft Crank Stop Screw (left)	
519	500271-805	Knee Lifter Rock Shaft Crank Stop Screw (left) Nut	
520	500270-805	Knee Lifter Rock Shaft Crank Stop Screw (right) Nut	
521	500785-805	Knee Lifter Rock Shaft Crank Cpl.	500266,500271,500272
522	500785-805	Machine Base and Oil Reservoir with Knee Lifter Complete	228364,26502583,5002589,5002638,5002640,5002642,5002720
523	502719	Attachment Screw	
524	502680	Cloth Guide Thumb Screw	
620	176-850	Cloth Guide	
622	289-850	Machine Hinge Connection (2)	
623	231337	Bobbin (2)	
624	12361	Wrench	
625	502526	One Quart Can filled with light grade Oil	
626	225554	Combined Screw Driver and Screw Wrench	
627	121741	Machine Rest Pin (wood)	
628	503645	Screw Driver	
629	41400	Screw Driver (Bobbin Case)	
630	225498	Screw Driver	
631	228476	Screw Driver	
632	120440	Screw Driver	

Thread Unwinder

640	228776	Thread Unwinder Complete (for two Spools)	228766 to 228768, 228770,228774, two each 150203, 228764,228769 and three Wood Screws
641	228770	Thread Unwinder Thread Guide Holder	
642	228769	Thread Unwinder Thread Guide (2)	
643	228774	Thread Unwinder Thread Guide Rod	
644	228766	Thread Unwinder Spool Rest with 201254	
645	201254-803	Thread Unwinder Spool Rest Set Screw	
646	228764	Thread Unwinder Spool Pin (2)	
647	150203	Thread Unwinder Spool Rest Cushion (felt)(2)	
648	228767	Thread Unwinder Spool Rest Rod	
649	---	Thread Unwinder Wood Screw (7/8 in. No. 12)(3)	
650	228768	Thread Unwinder Spool Stand	

Universal Bobbin Winder

660	249462	Universal Bobbin Winder Cpl.	200056,200082, 200113,200299, 202478,225381, 225444,225453 to 225456,225458, 225462,228026, 259428,259429, 259662,259930, two each 225459 and Wood Screw
661	225462	Bobbin Winder Tension Bracket Cpl.	13710,201572, 225461 and two 2102
662	201572-819	Bobbin Winder Tension Stud Thumb Nut	
663	13710	Bobbin Winder Tension Spring	
664	2102	Bobbin Winder Tension Disc (2)	
665	201499-819	Bobbin Winder Tension Stud	
666	225461	Bobbin Winder Tension Bracket with 201499	
667	200082-804	Bobbin Winder Tension Bracket Screw	
668	228026	Bobbin Winder Tension Bracket Screw Washer	
669	259662	Bobbin Winder and Tension Bracket Base	
670	---	Bobbin Winder Wood Screw (3/4 in. No. 12 RHB)(2)	
671	225456	Bobbin Winder Frame Spring Plunger	
672	225455	Bobbin Winder Frame Spring	
673	259930	Bobbin Winder Pulley with 457	
674	457-830	Bobbin Winder Pulley Set Screw	
675	244071	Bobbin Winder Frame Oil Packing (wick)	
676	259660	Bobbin Winder Frame Oil Well Washer	
677	225453	Bobbin Winder Frame with 244071 and 259660	
678	225381	Bobbin Winder Spindle	
679	225454	Bobbin Winder Frame Hinge Pin	
680	200299-819	Bobbin Winder Stop Latch Trip Lever Hinge Screw	
681	202478	Bobbin Winder Stop Latch Trip Lever	
682	200056-805	Bobbin Winder Stop Latch Screw	
683	225444	Bobbin Winder Stop Latch	
684	225458	Bobbin Winder Stop Latch Thumb Screw	
686	200113-806	Bobbin Winder Brake Clamp Screw	
687	259429	Bobbin Winder Brake Clamp	
688	259428	Bobbin Winder Brake (leather)	
689	225459	Bobbin Winder Stop Latch Thumb Lever Hinge Stud (2)	
---	1906-12-1	Needle (3)	
---	1906-14-1	Needle (2)	

0,
0,

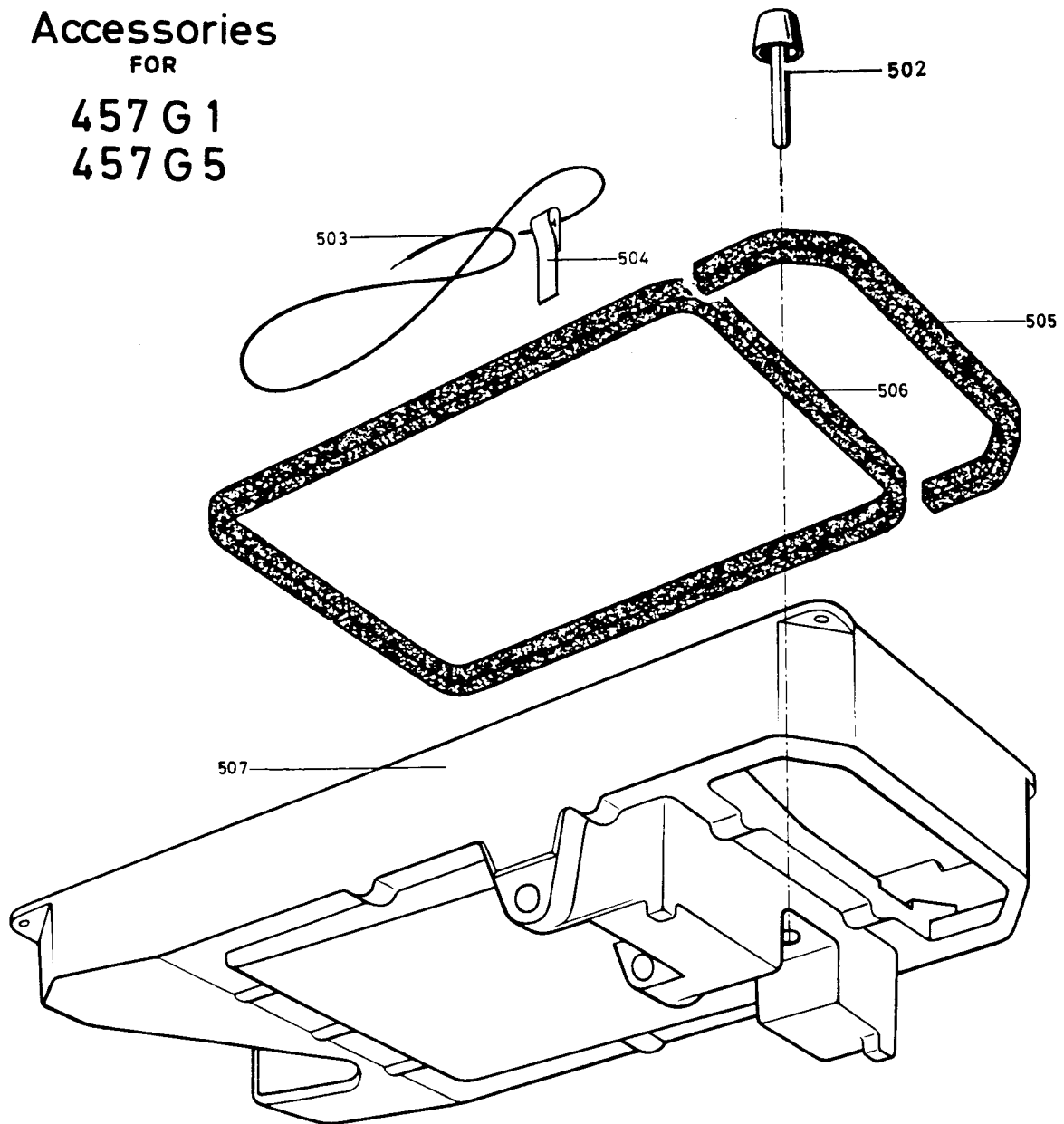
2,
7-001
7,
9-001
1,
9,

Form 30-258a G

Copyright 1964 by THE SINGER COMPANY

Printed in WESTERN GERMANY

Accessories
FOR
457 G 1
457 G 5



524 { 502 505 to 508 510 513
 514 516 and 523

