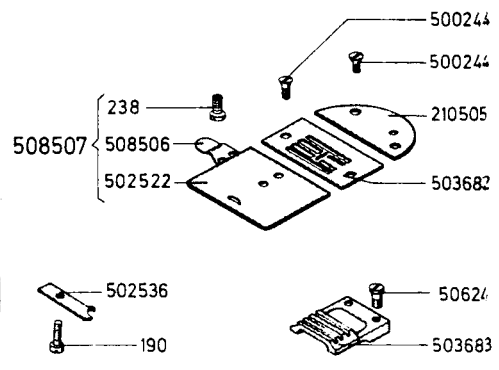
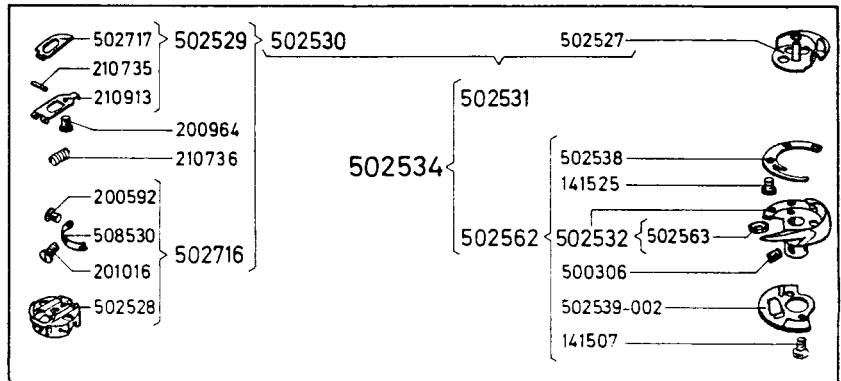
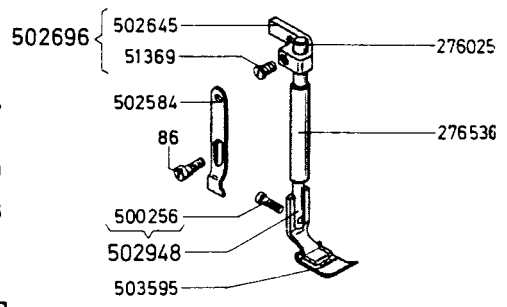
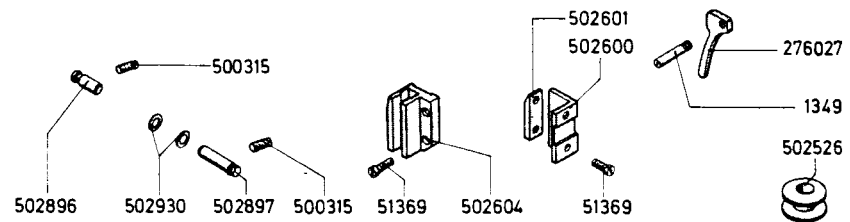
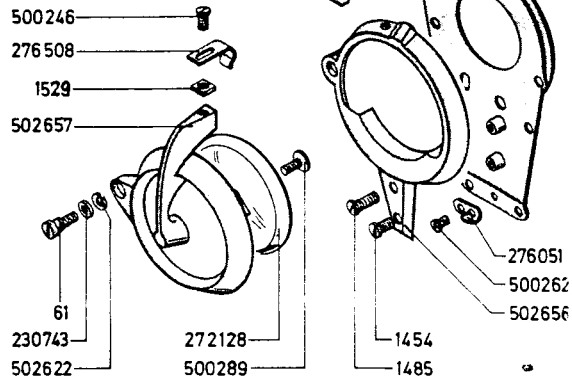
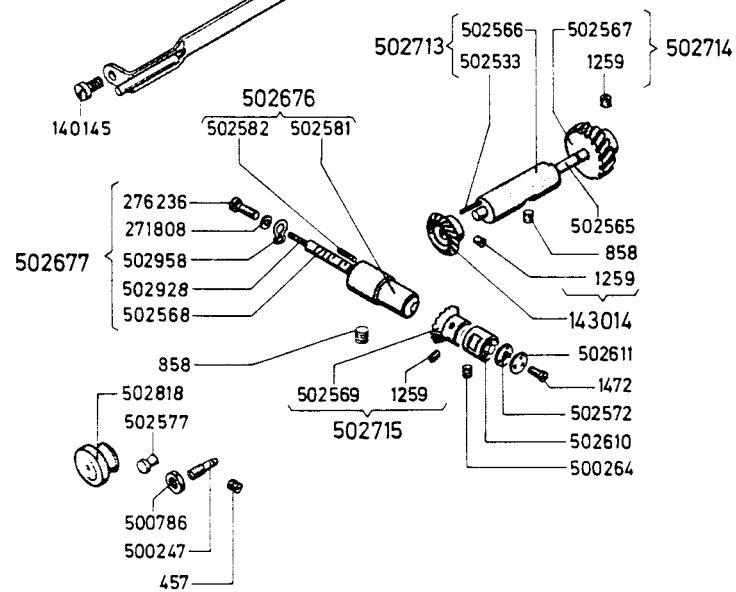
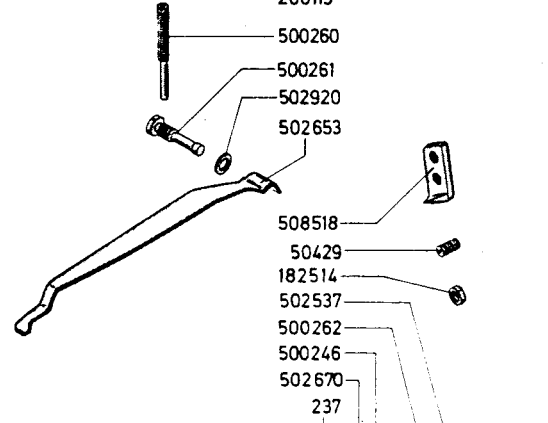
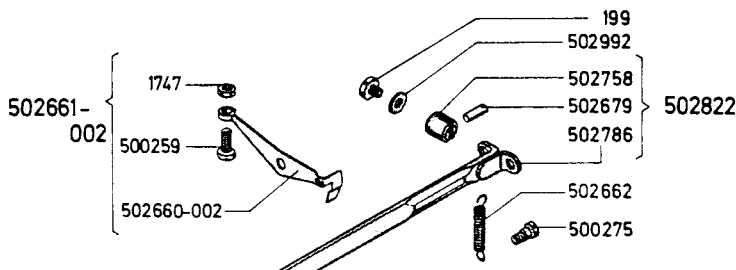
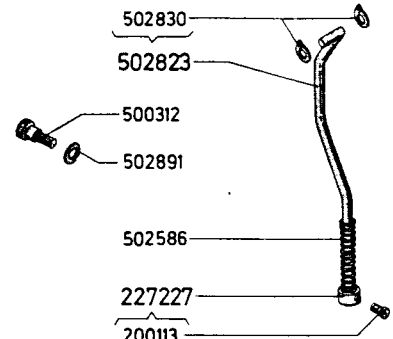
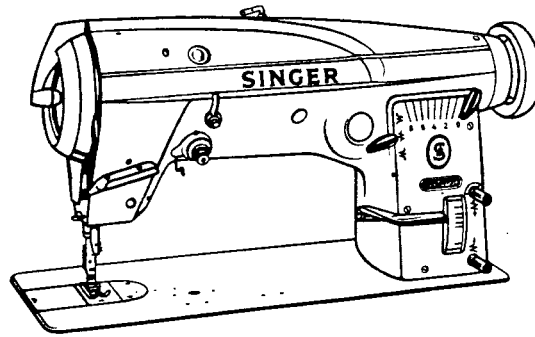


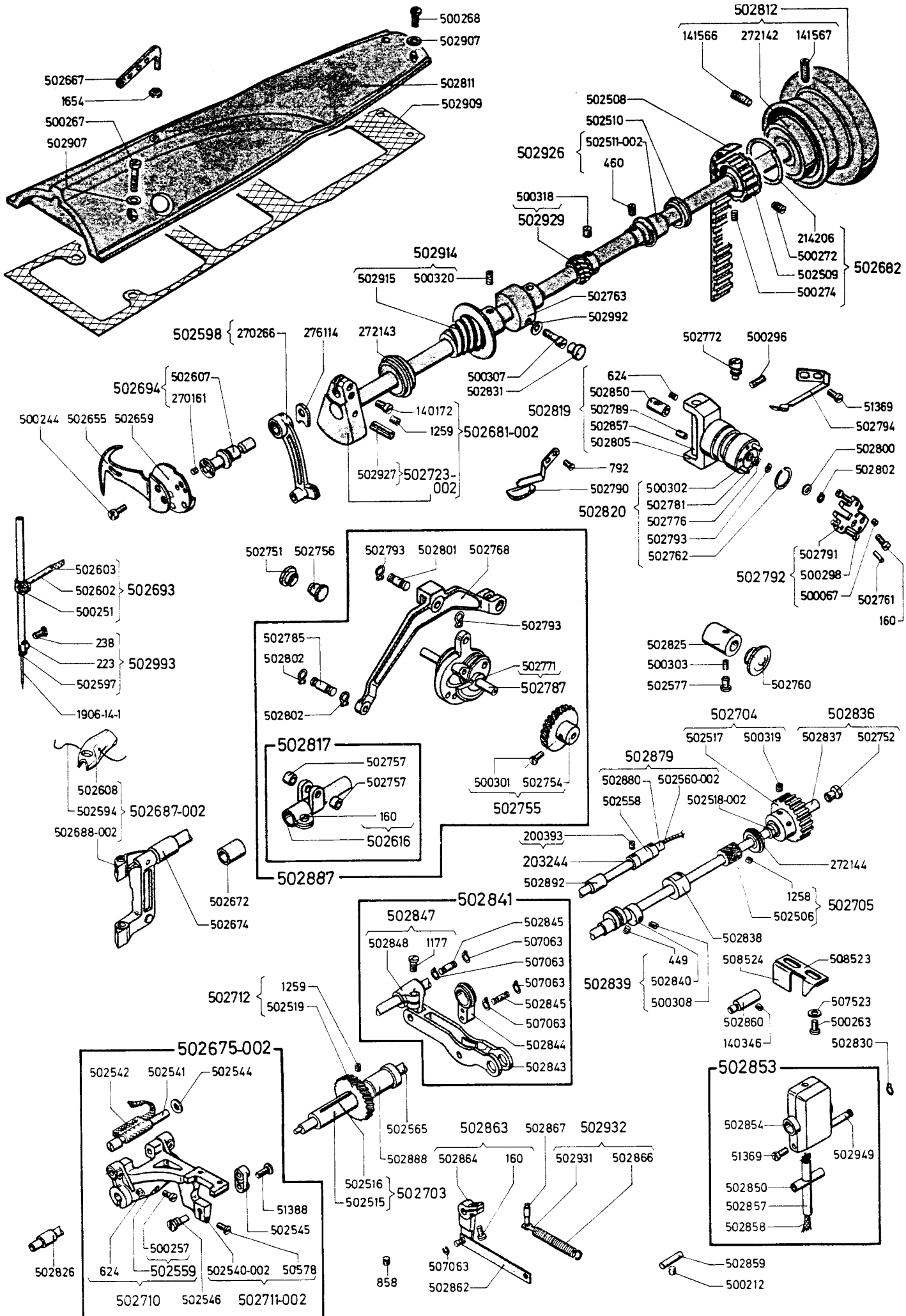
SINGER
457G105,G115,G116,G117

SINGER

ILLUSTRATED
PARTS LIST
FORM 30-324 G
(1267/926)

FOR MACHINES: 457 G 105, 457 G 115, 457 G 116, 457 G 117





502667
1654
500267
502907

500268
502907
502811
502909

502812
141566 272142 141567

502508
502510
502926
502511-002
460

500318
502929

214206
500272
502509
500274
502682

502914
502915 500320
502763
502992

502598 { 270266 276114 272143

502694 { 502607 270161

500244 502655 502659

500307 502831
140172
1259
502681-002
502927 502723-002

624
502850
502789
502857
502805
502772 500296

51369
502794
502800
502802

792
502790
502820

500302
502781
502776
502793
502762

502791
500298
500067
502761
160

502603
502602
500251
238
223
502597
1906-14-1
502693
502993

502751 502756

502793 502801 502768

502785
502802
502802
502793
502771
502787

502825
500303
502577
502760

502608
502594
502687-002
502688-002

502817
502757
502757
160
502616
502887

500301 502754
502755

502704 502836
502517 500319 502837 502752

502879
502880 502560-002
502558 502518-002
502705
272144
1258
502506

502841
502847
502848 1177
507063
507063
507063
502845
507063
502844
502843

200393
203244
502892
502838
508524 508523
507523
500263
502830

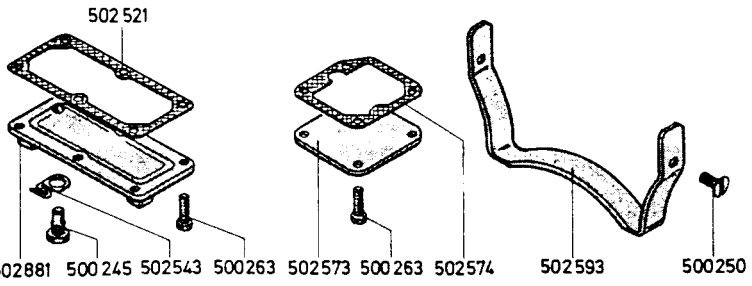
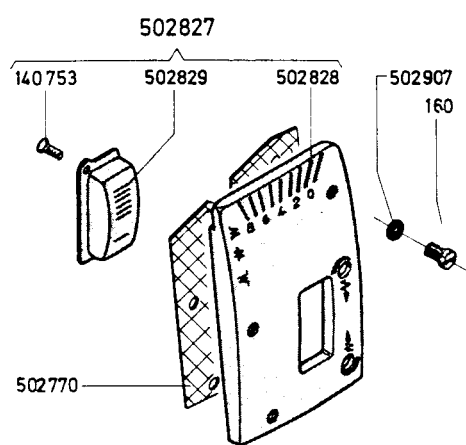
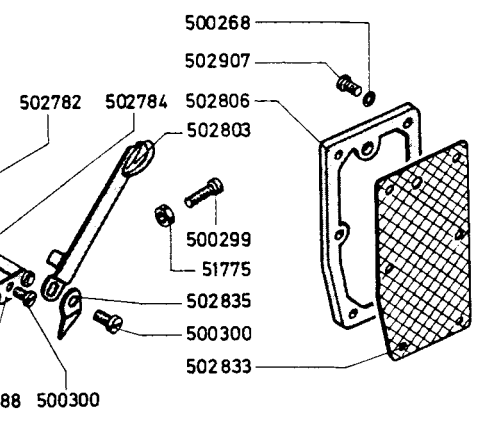
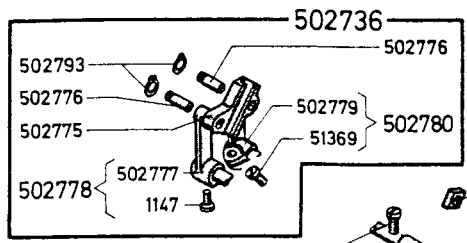
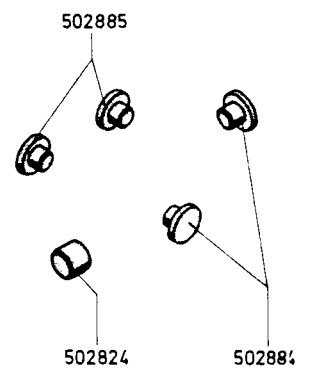
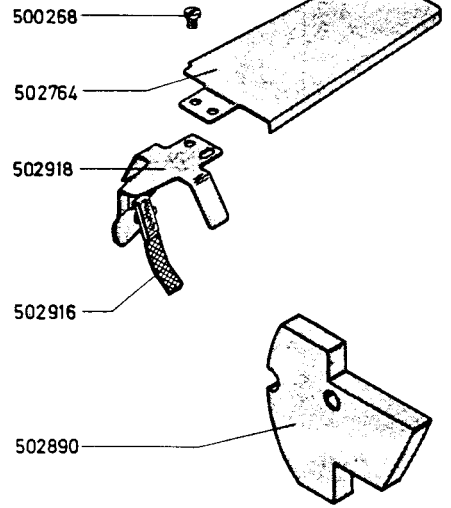
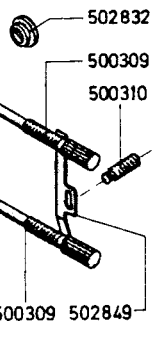
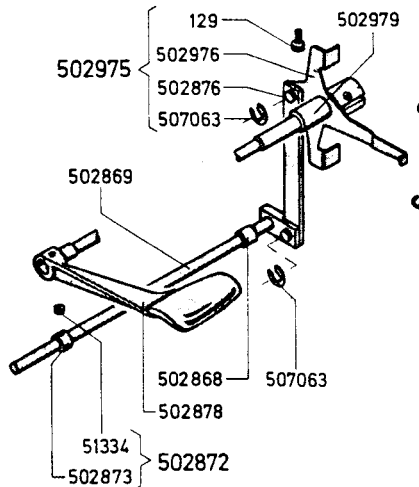
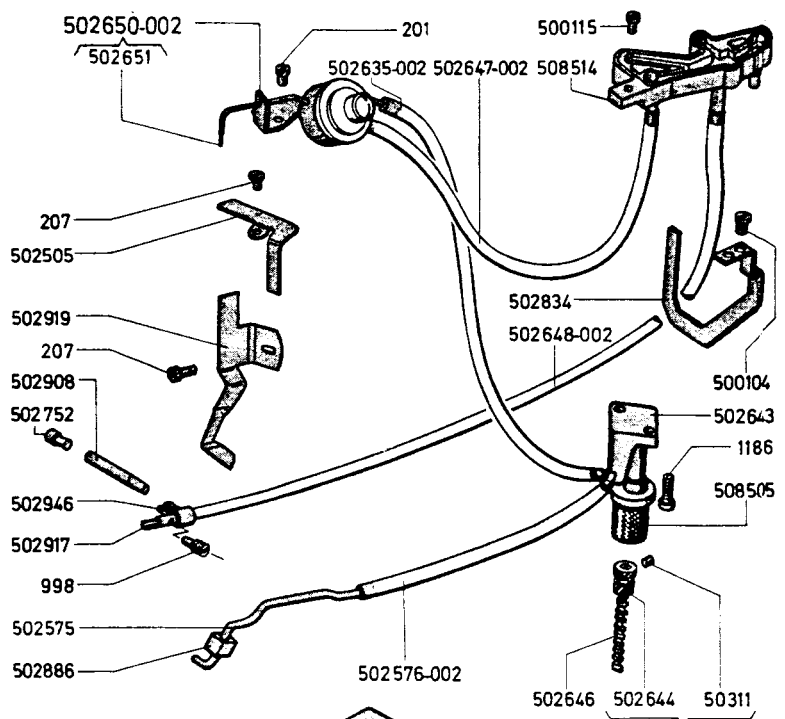
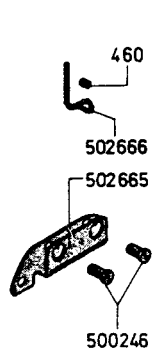
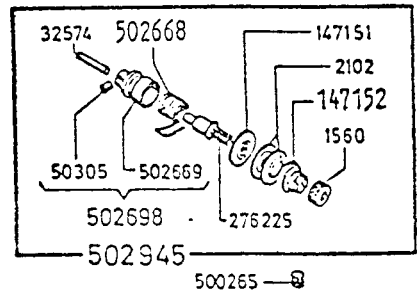
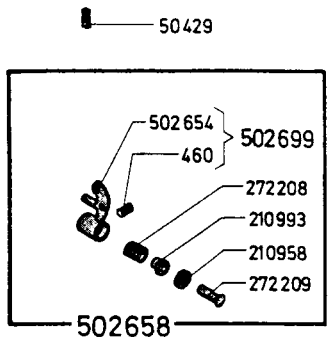
502712 { 1259 502519

502675-002
502542 502541 502544
502826
624
502559 502540-002 50578
502710 502546 502711-002

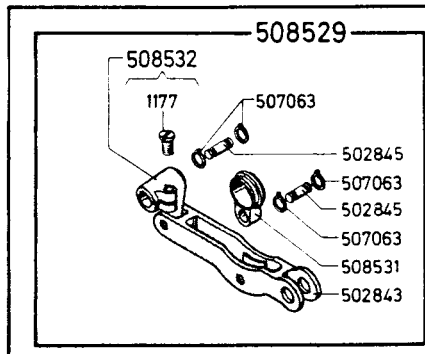
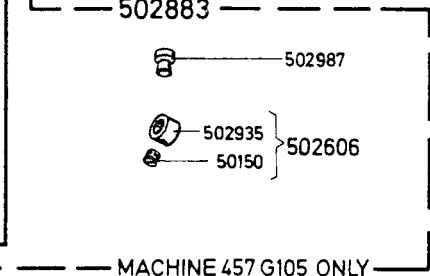
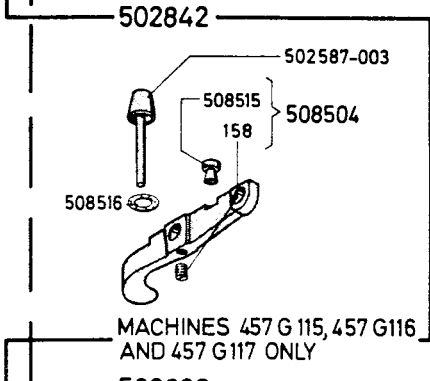
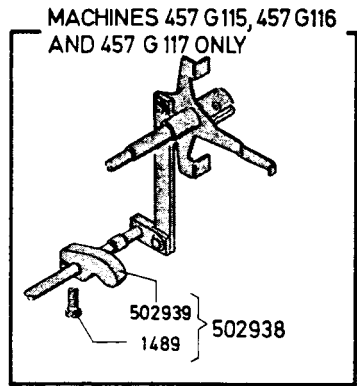
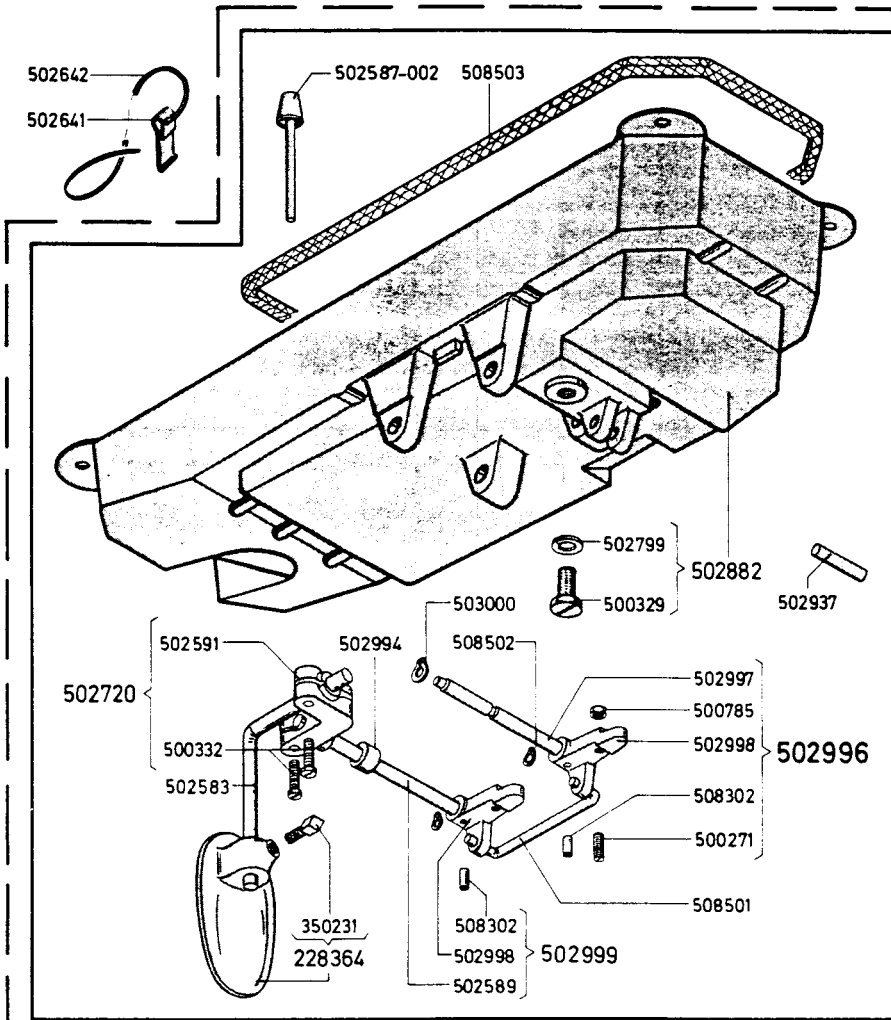
502565 502863 502867 502932
502888 502864 160 502931 502866
502516 502515 502703
507063 502862
858

502853
502854
51369 502949
502850
502857
502858

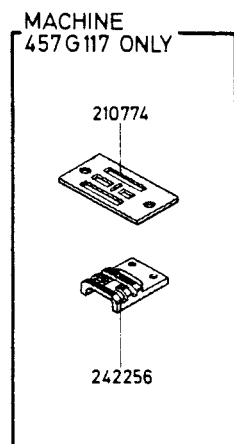
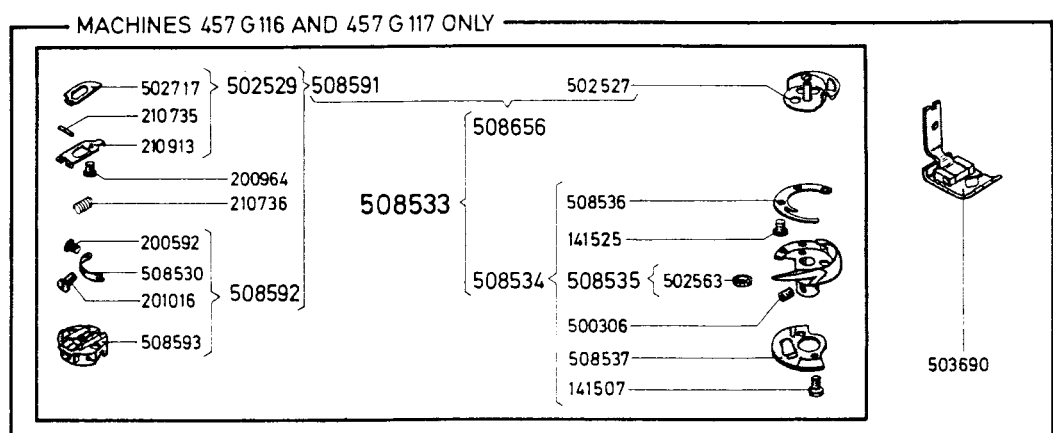
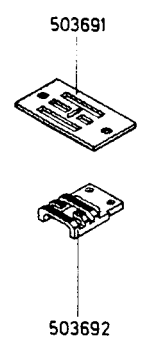
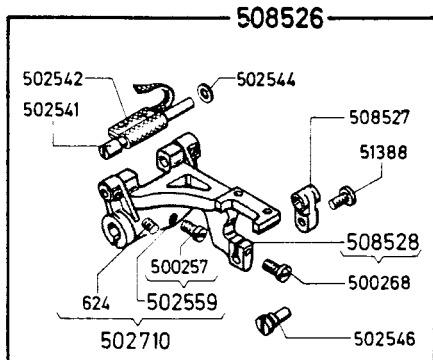
502859
500212



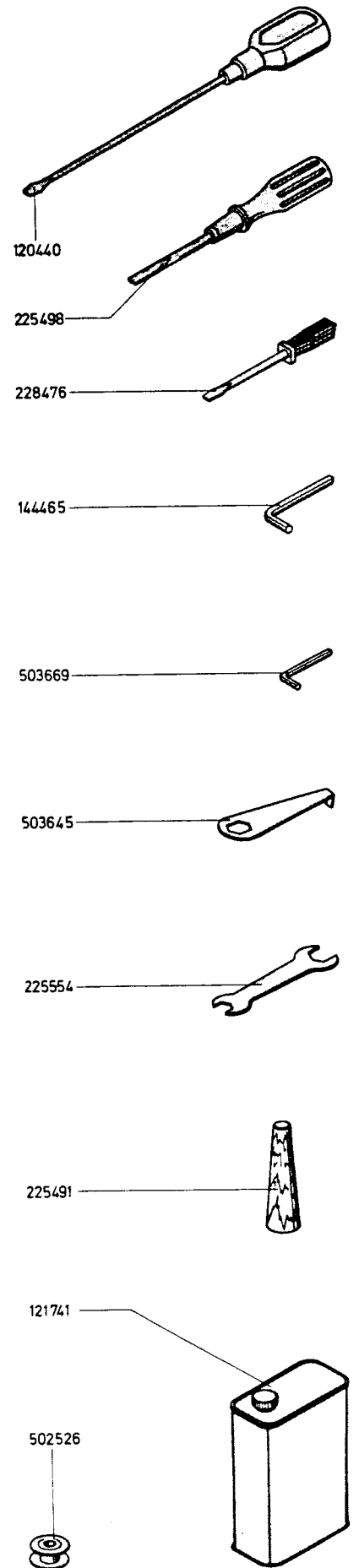
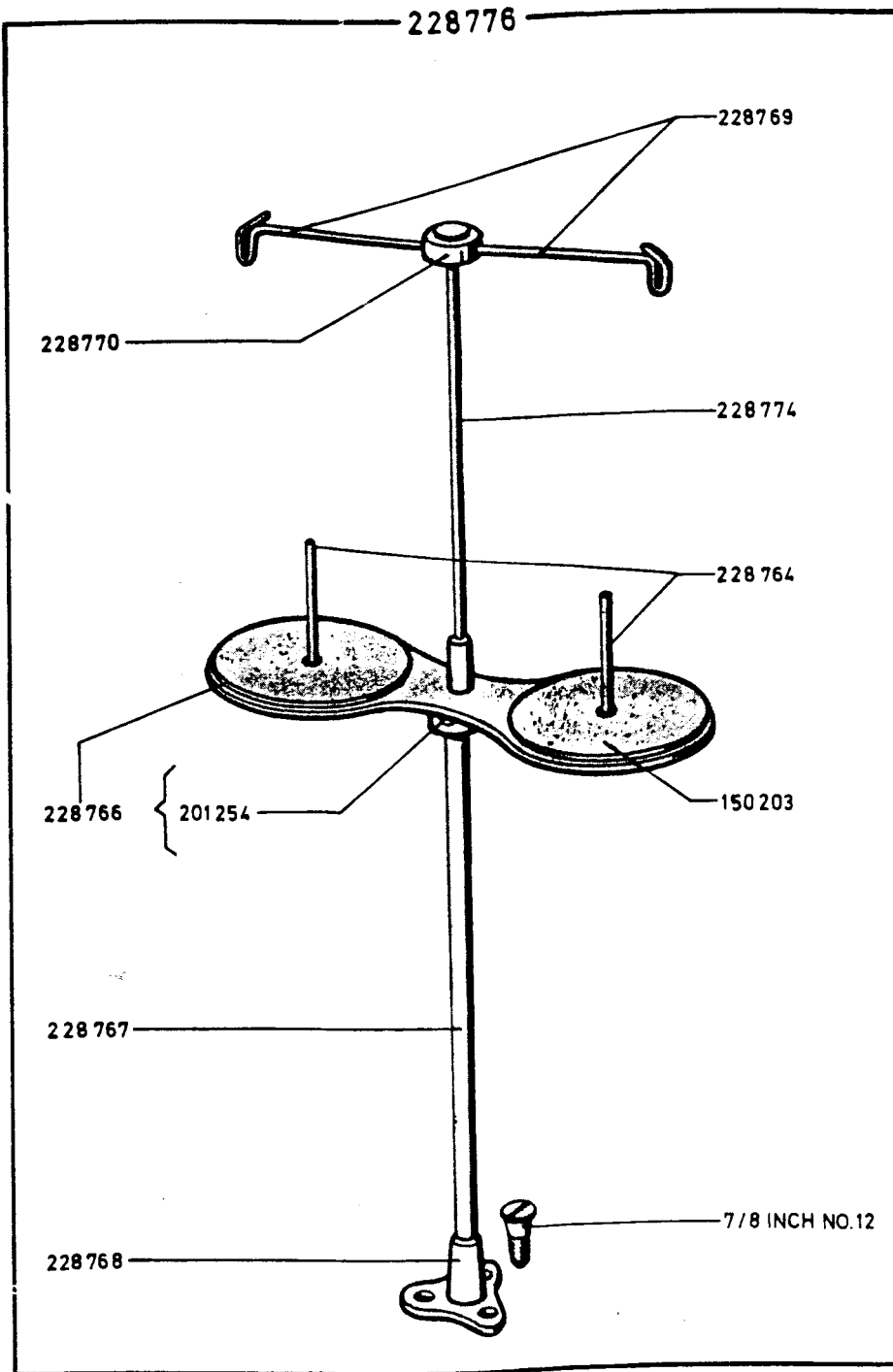
THE SINGER COMPANY
 Copyright © 1967 by THE SINGER COMPANY



MACHINE 457 G116 ONLY



ACCESSORIES FOR 457G105, 457G115 457G116, 457G117



1906-12-1



1906-14-1



12361



176



231337



289



502526



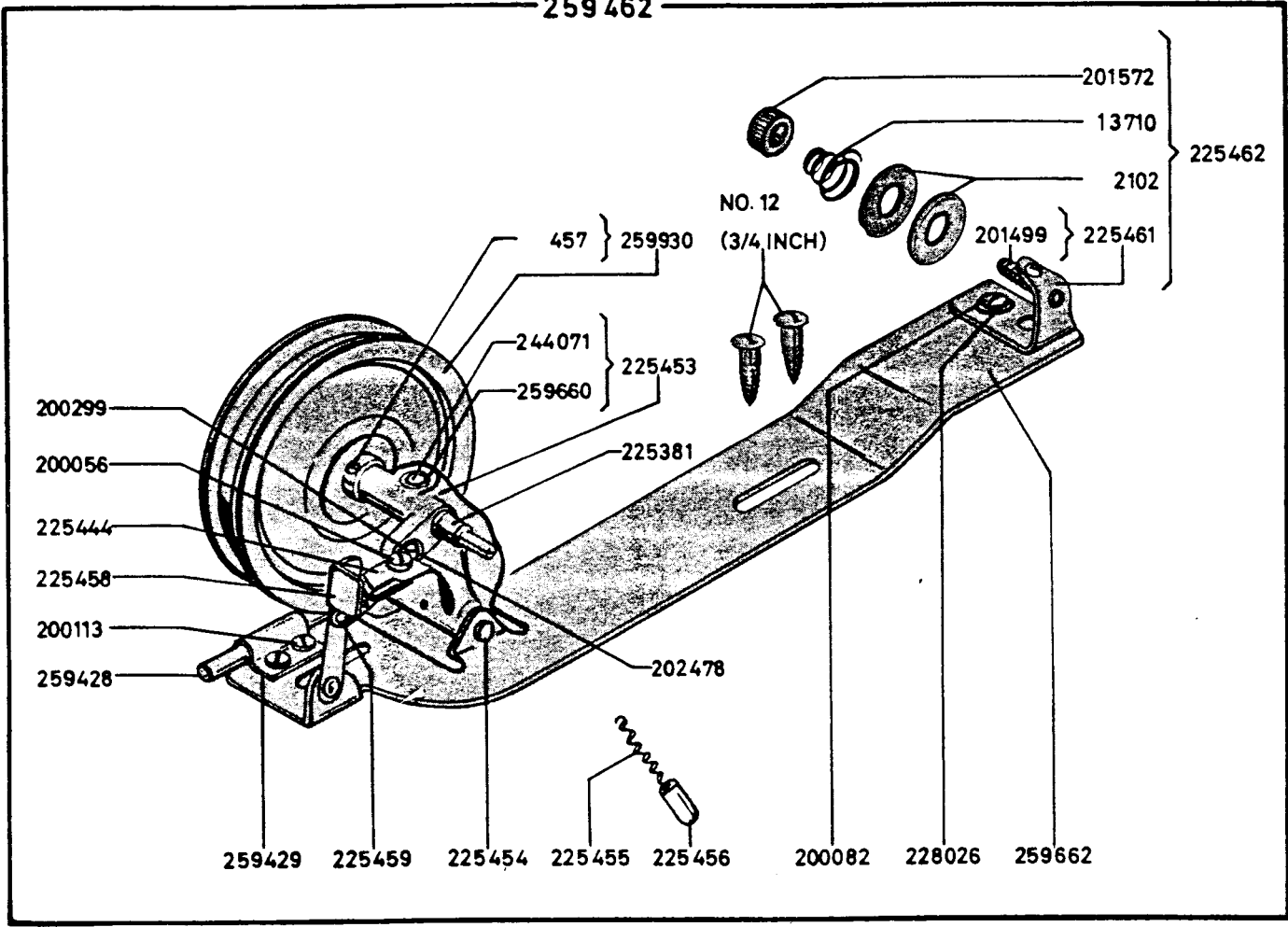
PART NO.	FOR CLASS 457 G				DESCRIPTION	PART NO.	FOR CLASS 457 G				DESCRIPTION
	105	115	116	117			105	115	116	117	
NO. 12	x	x	x	x	BOBBIN WINDER WOOD SCREW (3/4 INCH) (2)	051388-850	x	x	x	x	FEED BAR LIFTING LINK HINGE PIN CAP SCREW
NO. 12	x	x	x	x	THREAD UNWINDER WOOD SCREW (7/8 INCH) (3)	051775-850	x	x	x	x	NEEDLE VIBRATING ADJUSTING LEVER STOP SCREW NUT (2)
000061-850	x	x	x	x	ROTARY TAKE-UP GUARD HINGE SCREW	120440	x	x	x	x	SCREW DRIVER
000086-850	x	x	x	x	KNEE LIFTER LIFTING LINK SCREW	121741	x	x	x	x	ONE QUART CAN FILLED WITH LIGHT GRADE OIL
000129-850	x	-	-	-	FEED REGULATING SHAFT INDICATOR LEVER PINCH SCREW	140145-803	x	x	x	x	KNEE LIFTER ROCK FRAME HINGE SCREW
000158-850	-	x	x	x	FOOT CONTROL REVERSE FEED LEVER SET SCREW	140172-850	x	x	x	x	NEEDLE BAR CRANK STUD PINCH SCREW
000160-850	x	x	x	x	NEEDLE BAR YOKE CONNECTING LINK HINGE BEARING PINCH SCREW	140346-833	x	x	x	x	FEED DRIVING CONNECTION CARRIER FRAME BEARING STUD SET SCREW (RIGHT)
000160-850	x	x	x	x	NEEDLE POSITION ADJUSTING ECCENTRIC SLIDE BLOCK BRACKET SCREW (2)	140753-850	x	x	x	x	STITCH LENGTH INDICATOR PLATE SCREW (2)
000160-850	x	x	x	x	ARM COVER (FRONT) SCREW (3)	141507-803	x	x	x	x	HOOK NEEDLE GUARD AND COUNTER-BALANCE SCREW
000160-850	x	x	x	x	FEED REGULATING CONNECTION SHAFT CRANK PINCH SCREW	141525-806	x	x	x	x	HOOK GIB SCREW (3)
000176-850	x	x	x	x	ATTACHMENT SCREW	141566-833	x	x	x	x	MACHINE PULLEY POSITION SCREW
000190-850	x	x	x	x	BOBBIN CASE STOP SCREW	141567-833	x	x	x	x	MACHINE PULLEY SET SCREW
000199-850	x	x	x	x	KNEE LIFTER ROCK FRAME HINGE STUD LOCK SCREW	143014	x	x	x	x	HOOK DRIVING SHAFT BEVEL GEAR CPL. TWO 1259
000201-850	x	x	x	x	OIL SIGHT BODY SCREW (2)	144465	x	x	x	x	WRENCH (1/8 INCH HEXAGON)
000207-803	x	x	x	x	ARM HEAD OIL DRAIN WICK CLAMP SCREW (2)	147151	x	x	x	x	TENSION RELEASING DISC
000223-850	x	x	x	x	NEEDLE SET SCREW	147152	x	x	x	x	TENSION SPRING
000237-833	x	x	x	x	THREAD CUTTER (ON ROTARY TAKE-UP GUARD) SCREW	150203	x	x	x	x	THREAD UNWINDER SPOOL REST CUSHION (FELT) (2)
000238-850	x	x	x	x	NEEDLE BAR THREAD GUIDE SET SCREW	182514-819	x	x	x	x	THREAD CUTTER (ON FACE PLATE) ADJUSTING SCREW NUT
000238-850	x	x	x	x	BED SLIDE SPRING SCREW (2)	200056-805	x	x	x	x	BOBBIN WINDER STOP LATCH SCREW
000289-850	x	x	x	x	CLOTH GUIDE THUMB SCREW	200082-804	x	x	x	x	BOBBIN WINDER TENSION BRACKET SCREW
000449-830	x	x	x	x	FEED DRIVING ECCENTRIC SET SCREW	200113-806	x	x	x	x	BOBBIN WINDER BRAKE CLAMP SCREW
000457-830	x	x	x	x	HOOK OIL BYPASS PLUG SCREW	200113-850	x	x	x	x	KNEE LIFTER LIFTING ROD COLLAR SET SCREW
000457-830	x	x	x	x	BOBBIN WINDER PULLEY SET SCREW	200299-819	x	x	x	x	BOBBIN WINDER STOP LATCH TRIP HINGE SCREW
000460-833	x	x	x	x	ARM SHAFT OIL SLINGER AND PINION SET SCREW	200393-833	x	x	x	x	FEED DRIVING ROCK SHAFT COLLAR SET SCREW (4)
000460-833	x	x	x	x	PRETENSION BRACKET SCREW	200592-803	x	x	x	x	BOBBIN CASE CAP TENSION SPRING SCREW
000624-833	x	x	x	x	NEEDLE BAR YOKE CONNECTING LINK CARRIER FRAME SLIDE STUD SET SCREW (2)	200964-803	x	x	x	x	BOBBIN CASE LATCH STOP SCREW
000624-833	x	x	x	x	FEED BAR HINGE PIN SET SCREW (2)	201016-803	x	x	x	x	BOBBIN CASE CAP TENSION SPRING REGULATING SCREW
000690-850	x	x	x	x	NEEDLE VIBRATING ADJUSTING SHAFT CLAMPING BRACKET PINCH SCREW	201254-803	x	x	x	x	THREAD UNWINDER SPOOL REST SET SCREW
000792-850	x	x	x	x	NEEDLE POSITION ADJUSTING LEVER SCREW (2)	201499-819	x	x	x	x	BOBBIN WINDER TENSION STUD
000858-833	x	x	x	x	BED SHAFT BUSHING (FRONT, CENTER, BACK) SET SCREW (3)	201572-819	x	x	x	x	BOBBIN WINDER TENSION STUD THUMB NUT
000858-833	x	x	x	x	HOOK DRIVING SHAFT BUSHING SET SCREW	202478	x	x	x	x	BOBBIN WINDER STOP LATCH TRIP LEVER
000858-833	x	x	x	x	HOOK SHAFT PRESSURE BUSHING SET SCREW	203244	x	x	x	x	FEED DRIVING ROCK SHAFT COLLAR (2) WITH TWO EACH 200393
000998-833	x	x	x	x	OIL RETURN TUBE SCREW	210505	x	x	x	x	BED PLATE (BACK)
001147-850	x	x	x	x	NEEDLE VIBRATING ADJUSTING G' HIDE CRANK SET SCREW	210735	x	x	x	x	BOBBIN CASE LATCH FULCRUM PIN
001177-850	x	x	x	x	FEED DRIVING CONNECTION CRANK PINCH SCREW	210736	x	x	x	x	BOBBIN CASE LATCH SPRING
001186-850	x	x	x	x	OIL PUMP MOUNTING SCREW (2)	210774	-	-	-	-	THROAT PLATE, 53 NEEDLE HOLE FOR NEEDLE SIZES 12 AND 13
001258-830	x	x	x	x	OIL PUMP DRIVING GEAR SET SCREW (2)	210913	x	x	x	x	BOBBIN CASE LATCH
001259-830	x	x	x	x	NEEDLE BAR CRANK STUD POSITION SCREW	210958	x	x	x	x	PRETENSION BRACKET COLLAR
001259-830	x	x	x	x	BED SHAFT GEAR SET SCREW (2)	210993	x	x	x	x	PRETENSION BRACKET SLEEVE
001259-830	x	x	x	x	HOOK DRIVING SHAFT BEVEL GEAR SET SCREW (2)	214206	x	x	x	x	ARM SHAFT CONNECTION BELT PULLEY SPRING FLANGE
001259-830	x	x	x	x	HOOK DRIVING SHAFT HELICAL GEAR SET SCREW (2)	225381	x	x	x	x	BOBBIN WINDER SPINDLE
001349-850	x	x	x	x	HOOK SHAFT BEVEL GEAR SET SCREW (2)	225444	x	x	x	x	BOBBIN WINDER STOP LATCH
001454-850	x	x	x	x	PRESSER BAR LIFTER HINGE SCREW	225453	x	x	x	x	BOBBIN WINDER FRAME WITH 244071 AND 259660
001472-850	x	x	x	x	ROTARY TAKE-UP GUARD SCREW, SHORT	225454	x	x	x	x	BOBBIN WINDER FRAME HINGE PIN
001485-850	x	x	x	x	HOOK SHAFT BUSHING (FRONT) SET SCREW (3)	225455	x	x	x	x	BOBBIN WINDER FRAME SPRING
001489-850	-	x	x	x	ROTARY TAKE-UP GUARD SCREW, LONG	225456	x	x	x	x	BOBBIN WINDER FRAME SPRING PLUNGER
001529-850	x	x	x	x	FOOT CONTROL REVERSE FEED CONNECTING SHAFT LEVER PINCH SCREW	225458	x	x	x	x	BOBBIN WINDER STOP LATCH THUMB LEVER
001560-850	x	x	x	x	ROTARY TAKE-UP GUARD COVER SPRING CATCH SCREW NUT	225459	x	x	x	x	BOBBIN WINDER STOP LATCH THUMB LEVER HINGE AND JOINT STUD (2)
001654-850	x	x	x	x	TENSION THUMB NUT	225461	x	x	x	x	BOBBIN WINDER TENSION BRACKET WITH 201499
001747-850	x	x	x	x	THREAD RETAINER LOCK NUT	225462	x	x	x	x	BOBBIN WINDER TENSION BRACKET CPL. 13710, 201572, 225461 AND TWO 2102
1906-12-1	x	x	x	x	TENSION RELEASER ADJUSTING SCREW LOCK NUT	225491	x	x	x	x	MACHINE REST PIN (WOOD)
1906-14-1	x	x	x	x	NEEDLE (3)	225498	x	x	x	x	SCREW DRIVER
002102	x	x	x	x	NEEDLE (1-2)	225554	x	x	x	x	WRENCH
002102	x	x	x	x	TENSION DISC (2)	227227	x	x	x	x	KNEE LIFTER LIFTING ROD COLLAR CPL. TWO 200113
012361	x	x	x	x	BOBBIN WINDER TENSION DISC (2)	228026	x	x	x	x	BOBBIN WINDER TENSION BRACKET SCREW WASHER
013710	x	x	x	x	MACHINE HINGE CONNECTION (2)	228364	x	x	x	x	KNEE LIFTER KNEE PLATE CPL. 350251
032574	x	x	x	x	BOBBIN WINDER TENSION SPRING	228476	x	x	x	x	SCREW DRIVER (BOBBIN CASE)
050150-833	x	-	-	-	TENSION RELEASING PIN	228764	x	x	x	x	THREAD UNWINDER SPOOL PIN (2)
050305-850	x	x	x	x	FEED REVERSING FOOT CONTROL LEVER PIN COLLAR SET SCREW	228766	x	x	x	x	THREAD UNWINDER SPOOL REST WITH 201254
050311-830	x	x	x	x	THREAD TAKE-UP SPRING REGULATOR SET SCREW	228767	x	x	x	x	THREAD UNWINDER SPOOL REST ROD
050429-833	x	x	x	x	OIL PUMP GEAR SET SCREW (2)	228768	x	x	x	x	THREAD UNWINDER SPOOL STAND
050429-833	x	x	x	x	PRETENSION BRACKET SCREW	228769	x	x	x	x	THREAD UNWINDER THREAD GUIDE (2)
050578-850	x	x	x	x	THREAD CUTTER (ON FACE PLATE) ADJUSTING SCREW	228770	x	x	x	x	THREAD UNWINDER THREAD GUIDE HOLDER
050624-830	x	x	x	x	FEED BAR LIFTING LINK HINGE PIN PINCH SCREW	228774	x	x	x	x	THREAD UNWINDER CPL. (FOR TWO SPOOLS) 228766, 228767, 228768, 228770, 228774, TWO EACH 150203, 228764, 228769 AND THREE WOOD SCREWS
051334-830	x	x	x	x	FEED DOG SCREW (2)	230743-803	x	x	x	x	HINGE SCREW THRUST WASHER
051369-850	x	x	x	x	FEED REGULATING CONNECTION SHAFT COLLAR SET SCREW (2)	231337	x	x	x	x	CLOTH GUIDE
051369-850	x	x	x	x	NEEDLE VIBRATING ADJUSTING CRANK PINCH SCREW	242256	-	-	-	-	FEED DOG
051369-850	x	x	x	x	NEEDLE POSITION ADJUSTING ECCENTRIC POSITION SPRING SCREW (2)	244071	x	x	x	x	BOBBIN WINDER FRAME OIL PACKING (WICK)
051369-850	x	x	x	x	NEEDLE BAR CONNECTING STUD GUIDE BLOCK SCREW (2)	259428	x	x	x	x	BOBBIN WINDER BRAKE (LEATHER)
051369-850	x	x	x	x	NEEDLE BAR CONNECTING LINK CLAMPING PLATE SCREW (2)	259429	x	x	x	x	BOBBIN WINDER BRAKE CLAMP
051369-850	x	x	x	x	PRESSER BAR POSITION GUIDE PINCH SCREW	259462	x	x	x	x	UNIVERSAL BOBBIN WINDER CPL. 200056, 200082, 200113, 200299, 202478, 225381, 225444, 225453 TO 225456, 225458, 225462, 259428, 259429, 259662, 259930, TWO EACH 225459 AND WOOD SCREW
051369-850	x	x	x	x	FEED DRIVING CONNECTION CARRIER FRAME SLIDE STUD SET SCREW	259660	x	x	x	x	BOBBIN WINDER FRAME OIL WELL WASHER
051369-850	x	x	x	x		259662	x	x	x	x	BOBBIN WINDER AND TENSION BRACKET BASE
						259930	x	x	x	x	BOBBIN WINDER PULLEY WITH 457

PART NO.	FOR CLASS 457 G				DESCRIPTION	PART NO.	FOR CLASS 457 G				DESCRIPTION
	105	115	116	117			105	115	116	117	
Z70161	x	x	x	x	NEEDLE BAR CRANK STUD PIN	500786-850	x	x	x	x	HOOK OIL REGULATING SCREW NUT
Z70266	x	x	x	x	NEEDLE BAR CONNECTING LINK NEEDLE BEARING	502505	x	x	x	x	ARM HEAD OIL DRAIN WICK CLAMP (FRONT)
Z71808	x	x	x	x	HOOK SHAFT OIL FILTER WICK HOLDER SEAL	502506	x	x	x	x	OIL PUMP DRIVING GEAR
Z72128	x	x	x	x	ROTARY TAKE-UP GUARD COVER WINDOW	502508	x	x	x	x	ARM SHAFT CONNECTION BELT
Z72142	x	x	x	x	ARM SHAFT BALL BEARING	502509	x	x	x	x	ARM SHAFT CONNECTION BELT PULLEY
Z72143	x	x	x	x	ARM SHAFT BALL BEARING	502510	x	x	x	x	ARM SHAFT OIL SHIELD
Z72144	x	x	x	x	BED SHAFT BALL BEARING	502511-002	x	x	x	x	ARM SHAFT OIL SLINGER AND PINION SPACER
Z72208	x	x	x	x	PRETENSION BRACKET SPRING	502515	x	x	x	x	BED SHAFT BUSHING (FRONT)
Z72209	x	x	x	x	PRETENSION BRACKET STUD	502516	x	x	x	x	BED SHAFT BUSHING OIL WICK
Z76025	x	x	x	x	PRESSER BAR BALL	502517	x	x	x	x	BED CONNECTION BELT PULLEY
Z76027	x	x	x	x	PRESSER BAR LIFTER	502518-002	x	x	x	x	BED CONNECTION BELT PULLEY SPACER
Z76051	x	x	x	x	THREAD GUIDE ON FACE PLATE	502519	x	x	x	x	BED SHAFT GEAR
Z76114	x	x	x	x	NEEDLE BAR CONNECTING LINK THRUST WASHER	502521	x	x	x	x	BED SHAFT GEAR BOX COVER GASKET
Z76225	x	x	x	x	TENSION STUD	502522	x	x	x	x	BED SLIDE
Z76236	x	x	x	x	HOOK SHAFT OIL FILTER WICK HOLDER	502526	x	x	x	x	BOBBIN (1+2)
Z76508	x	x	x	x	ROTARY TAKE-UP GUARD SPRING CATCH	502527	x	x	x	x	BOBBIN CASE BASE
Z76536	x	x	x	x	PRESSER BAR BUSHING	502528	x	x	-	-	BOBBIN CASE CAP
350231-850	x	x	x	x	KNEE LIFTER KNEE PLATE SET SCREW	502529	x	x	x	x	BOBBIN CASE LATCH CPL. 210735, 210913, 502717
500067-830	x	x	x	x	NEEDLE POSITION ADJUSTING ECCENTRIC STOP SCREW SET SCREW (2)	502530	x	x	-	-	BOBBIN CASE CAP CPL. 200964, 210736, 502529, 502716
500104-850	x	x	x	x	ARM OIL SHIELD (AERATED PLASTIC) RETAINER SCREW (2)	502531	x	x	-	-	BOBBIN CASE CPL. 502527, 502530
500115-850	x	x	x	x	OIL DISTRIBUTOR PLATE SCREW	502532	x	x	-	-	HOOK BODY WITH 502563
500212-833	x	x	x	x	FEED DRIVING CONNECTION CARRIER FRAME BEARING STUD (LEFT) SET SCREW	502533	x	x	x	x	HOOK DRIVING SHAFT BUSHING OIL WICK
500244-850	x	x	x	x	ROTARY TAKE-UP SCREW (2)	502534	x	x	-	-	HOOK AND BOBBIN CASE CPL. 502531, 502562
500244-850	x	x	x	x	BED PLATE SCREW (BACK) (2)	502536	x	x	x	x	BOBBIN CASE STOP
500244-833	x	x	x	x	THROAT PLATE SCREW (2)	502537	x	x	x	x	FACE PLATE
500245-805	x	x	x	x	BED SHAFT GEAR BOX OVERFLOW AND DRAIN PLUG SCREW	502538	x	x	-	-	HOOK GIB
500246-850	x	x	x	x	THREAD GUIDE SCREW (2)	502539-002	x	x	-	-	HOOK NEEDLE GUARD COUNTERBALANCE
500246-850	x	x	x	x	FACE PLATE SCREW (8)	502540-002	x	x	x	x	FEED BAR
500246-850	x	x	x	x	ROTARY TAKE-UP GUARD SPRING CATCH SCREW	502541	x	x	x	x	FEED BAR HINGE PIN
500247-833	x	x	x	x	HOOK OIL REGULATING SCREW	502542	x	x	x	x	FEED BAR HINGE PIN OILING FELT
500250-850	x	x	x	x	MACHINE LEG SCREW (2)	502543	x	x	x	x	FEED BAR HINGE PIN OILING FELT CLAMP
500251-850	x	x	x	x	NEEDLE BAR CONNECTING STUD PINCH SCREW	502544	x	x	x	x	FEED BAR HINGE PIN THRUST WASHER (2)
500256-850	x	x	x	x	PRESSER FOOT SCREW	502545	x	x	-	x	FEED BAR LIFTING LINK
500257-850	x	x	x	x	FEED DRIVING ROCK SHAFT CRANK PINCH SCREW	502546	x	x	x	x	FEED BAR LIFTING LINK HINGE PIN
500259-803	x	x	x	x	TENSION RELEASER ADJUSTING SCREW	502558	x	x	x	x	FEED DRIVING ROCK SHAFT BUSHING (BACK)
500260-830	x	x	x	x	PRESSER BAR SPRING SCREW	502559	x	x	x	x	FEED DRIVING ROCK SHAFT CRANK WITH 500257
500261-850	x	x	x	x	PRESSER BAR SPRING SCREW STUD	502560-002	x	x	x	x	FEED DRIVING ROCK SHAFT OIL WICK
500262-833	x	x	x	x	THREAD GUIDE (ON FACE PLATE) SCREW	502562	x	x	-	-	HOOK CPL. 141507, 502532, 502538, 502539-002, 502563, TWO 500306, THREE 141525
500262-833	x	x	x	x	THREAD CUTTER (ON FACE PLATE) SCREW	502563	x	x	x	x	HOOK OIL RETAINING WASHER
500263-850	x	x	x	x	BED SHAFT GEAR BOX COVER SCREW (6)	502565	x	x	x	x	HOOK DRIVING SHAFT
500263-850	x	x	x	x	FEED DRIVING CONNECTION CARRIER FRAME STOP SCREW (2)	502566	x	x	x	x	HOOK DRIVING SHAFT BUSHING
500263-850	x	x	x	x	HOOK SHAFT GEAR BOX COVER SCREW (4)	502567	x	x	x	x	HOOK DRIVING SHAFT HELICAL GEAR
500264-830	x	x	x	x	HOOK SHAFT BUSHING (FRONT) SET SCREW	502568	x	x	x	x	HOOK SHAFT
500265-833	x	x	x	x	THREAD REGULATOR SET SCREW	502569	x	x	x	x	HOOK SHAFT BEVEL GEAR
500267-850	x	x	x	x	ARM COVER (TOP) SCREW (LONG) (2)	502572	x	x	x	x	HOOK SHAFT BUSHING CAP GASKET
500268-850	x	x	x	x	ARM COVER (BACK) SCREW (6)	502573	x	x	x	x	HOOK SHAFT GEAR BOX COVER
500268-850	x	x	x	x	ARM COVER (TOP) SCREW (SHORT) (2)	502574	x	x	x	x	HOOK SHAFT GEAR BOX COVER GASKET
500268-850	x	x	x	x	OIL GUARD SCREW (2)	502575	x	x	x	x	HOOK SHAFT GEAR BOX OIL PIPE
500271-833	x	x	x	x	KNEE LIFTER CONTROL SHAFT CRANK STOP SCREW	502576-002	x	x	x	x	HOOK SHAFT GEAR BOX OIL TUBE
500272-830	x	x	x	x	ARM SHAFT CONNECTION BELT PULLEY SET SCREW	502577	x	x	x	x	HOOK SHAFT GEAR BOX PLUG
500274-830	x	x	x	x	ARM SHAFT CONNECTION BELT PULLEY POSITION SCREW	502581	x	x	x	x	NEEDLE VIBRATING ECCENTRIC SHAFT BUSHING (FRONT) SET SCREW PLUG
500275-850	x	x	x	x	TENSION RELEASER HINGE SCREW	502582	x	x	x	x	HOOK SHAFT PRESSURE BUSHING
500289-850	x	x	x	x	ROTARY TAKE-UP COVER WINDOW SCREW	502583	x	x	x	x	HOOK SHAFT PRESSURE BUSHING OIL WICK
500296-833	x	x	x	x	NEEDLE VIBRATING ADJUSTING LEVER STOP SCREW (LEFT)	502584	x	x	x	x	KNEE LIFTER KNEE PLATE ARM
500296-833	x	x	x	x	NEEDLE POSITION ADJUSTING ECCENTRIC REGULATING STUD SET SCREW	502586	x	x	x	x	KNEE LIFTER LIFTING LINK
500298-850	x	x	x	x	NEEDLE POSITION ADJUSTING ECCENTRIC STOP SCREW (2)	502587-002	x	x	x	x	KNEE LIFTER LIFTING ROD SPRING
500299-850	x	x	x	x	NEEDLE VIBRATING ADJUSTING LEVER STOP SCREW (RIGHT)	502587-003	-	x	x	x	KNEE LIFTER PLUNGER
500300-850	x	x	x	x	NEEDLE VIBRATING ADJUSTING SHAFT RETAINER SCREW	502589	x	x	x	x	FOOT CONTROL REVERSE FEED PLUNGER
500300-850	x	x	x	x	NEEDLE VIBRATING ADJUSTING LEVER SCREW	502591	x	x	x	x	KNEE LIFTER ROCK SHAFT
500301-850	x	x	x	x	NEEDLE VIBRATING ECCENTRIC SHAFT GEAR SET SCREW (2)	502593	x	x	x	x	KNEE LIFTER ROCK SHAFT HUB
500302-803	x	x	x	x	NEEDLE POSITION ADJUSTING ECCENTRIC STOP SCREW (2)	502594	x	x	x	x	MACHINE LEG (REAR)
500303-803	x	x	x	x	NEEDLE VIBRATING ECCENTRIC SHAFT BUSHING (FRONT) SET SCREW	502594	x	x	x	x	NEEDLE BAR OIL FELT CORD
500306-830	x	x	x	x	HOOK SET SCREW (2)	502597	x	x	x	x	NEEDLE BAR THREAD GUIDE
500307-850	x	x	x	x	ARM SHAFT BUSHING (CENTER) SCREW	502598	x	x	x	x	NEEDLE BAR CONNECTING LINK CPL. Z70266
500308-830	x	x	x	x	FEED DRIVING ECCENTRIC POSITION SCREW	502600	x	x	x	x	NEEDLE BAR CONNECTING LINK GUIDE BLOCK
500309-850	x	x	x	x	FEED REGULATING SHAFT INDICATOR STOP SCREW (2)	502601	x	x	x	x	NEEDLE BAR CONNECTING LINK CLAMPING PLATE
500310-833	x	x	x	x	FEED REGULATING SHAFT INDICATOR STOP SCREW RETAINING SPRING SCREW	502602	x	x	x	x	NEEDLE BAR CONNECTING STUD
500312-850	x	x	x	x	SINGER LIGHT STUD HOLE SCREW PLUG (FOR UN-USED HOLE)	502603	x	x	x	x	NEEDLE BAR CONNECTING STUD OIL WICK
500315-830	x	x	x	x	NEEDLE BAR YOKE GUIDE SET SCREW (2)	502604	x	x	x	x	NEEDLE BAR CONNECTING STUD GUIDE BLOCK
500318-830	x	x	x	x	NEEDLE VIBRATING PINION SET SCREW (2)	502606	x	-	-	-	FEED REVERSING FOOT CONTROL LEVER PIN COLLAR CPL. 50150, 502935
500319-830	x	x	x	x	BED CONNECTION BELT PULLEY SET SCREW (2)	502607	x	x	x	x	NEEDLE BAR CRANK STUD
500320-830	x	x	x	x	ARM HEAD OIL DRAIN WICK SLINGER SET SCREW (2)	502608	x	x	x	x	NEEDLE BAR OIL FELT
500329-850	x	x	x	x	MACHINE BASE AND OIL RESERVOIR DRAIN PLUG SCREW	502610	x	x	x	x	HOOK SHAFT BUSHING (FRONT)
500332-850	x	x	x	x	KNEE LIFTER ROCK SHAFT HUB PINCH SCREW (2)	502611	x	x	x	x	HOOK SHAFT BUSHING CAP
500785-850	x	x	x	x	KNEE LIFTER CONTROL SHAFT CRANK STOP SCREW NUT	502616	x	x	x	x	NEEDLE BAR YOKE CONNECTING LINK HINGE BEARING WITH 160
						502622	x	x	x	x	HINGE SCREW SPRING WASHER
						502635-002	x	x	x	x	OIL DELIVERY TUBE
						502641	x	x	x	x	MACHINE BASE AND OIL RESERVOIR STATIC GROUNDING CONTACT
						502642	x	x	x	x	MACHINE BASE AND OIL RESERVOIR STATIC GROUNDING CONTACT WIRE
						502643	x	x	x	x	OIL PUMP BODY
						502644	x	x	x	x	OIL PUMP GEAR
						502645	x	x	x	x	PRESSER BAR POSITION GUIDE
						502646	x	x	x	x	OIL PUMP SCREW SHAFT
						502647-002	x	x	x	x	OIL RETURN TUBE UPPER (SHORT)
						502648-002	x	x	x	x	OIL RETURN TUBE LOWER (LONG)
						502650-002	x	x	x	x	OIL SIGHT BODY AND WICK WITH 502651
						502651	x	x	x	x	OIL SIGHT WICK
						502653	x	x	x	x	PRESSER BAR SPRING

PART NO.	FOR CLASS 457 G				DESCRIPTION	PART NO.	FOR CLASS 457 G				DESCRIPTION
	105	115	116	117			105	115	116	117	
502654	x	x	x	x	PRETENSION BRACKET	502779	x	x	x	x	NEEDLE VIBRATING ADJUSTING CRANK
502655	x	x	x	x	ROTARY TAKE-UP	502780	x	x	x	x	NEEDLE VIBRATING ADJUSTING CRANK CPL. 51369, 502779
502656	x	x	x	x	ROTARY TAKE-UP GUARD	502781	x	x	x	x	NEEDLE POSITION ADJUSTING ECCENTRIC SLIDE BLOCK
502657	x	x	x	x	ROTARY TAKE-UP GUARD COVER	502782	x	x	x	x	NEEDLE VIBRATING ADJUSTING BRACKET SLIDE BLOCK
502658	x	x	x	x	PRETENSION BRACKET CPL. 210958, 210993, 272208, 272209, 502699	502783	x	x	x	x	NEEDLE VIBRATING ADJUSTING GUIDE CRANK SHAFT
502659	x	x	x	x	ROTARY TAKE-UP MOUNTING DISC	502784	x	x	x	x	NEEDLE VIBRATING ADJUSTING CRANK SHAFT
502660-002	x	x	x	x	TENSION RELEASER	502785	x	x	x	x	NEEDLE BAR YOKE CONNECTING LINK HINGE BEARING STUD
502661-002	x	x	x	x	TENSION RELEASER CPL. 1747, 500259, 502660-002	502786	x	x	x	x	KNEE LIFTER ROCK FRAME
502662	x	x	x	x	TENSION RELEASER SPRING	502787	x	x	x	x	NEEDLE VIBRATING ECCENTRIC SHAFT WITH TWO 502771
502665	x	x	x	x	THREAD GUIDE (FRONT OF ARM)	502788	x	x	x	x	NEEDLE VIBRATING ADJUSTING SHAFT RETAINER
502666	x	x	x	x	THREAD PULL OFF	502789	x	x	x	x	NEEDLE BAR YOKE CONNECTING LINK CARRIER FRAME STUD
502667	x	x	x	x	THREAD RETAINER	502790	x	x	x	x	NEEDLE POSITION ADJUSTING LEVER
502668	x	x	x	x	THREAD TAKE-UP SPRING	502791	x	x	x	x	NEEDLE POSITION ADJUSTING ECCENTRIC SLIDE BLOCK BRACKET
502669	x	x	x	x	THREAD TAKE-UP SPRING REGULATOR	502792	x	x	x	x	NEEDLE POSITION ADJUSTING ECCENTRIC SLIDE BLOCK BRACKET CPL. 502791, TWO EACH 500067, 500298
502670	x	x	x	x	THREAD CUTTER ON ROTARY TAKE-UP GUARD	502793	x	x	x	x	NEEDLE BAR YOKE CONNECTING LINK STUD SNAP RING (2)
502672	x	x	x	x	NEEDLE BAR YOKE BEARING (BACK)	502793	x	x	x	x	NEEDLE VIBRATING ADJUSTING BRACKET STUD SNAP RING (2)
502674	x	x	x	x	NEEDLE BAR YOKE BEARING (FRONT)	502793	x	x	x	x	NEEDLE POSITION ADJUSTING ECCENTRIC BUSHING (SMALL) SLIDE BLOCK STUD SNAP RING
502675-002	x	x	-	x	FEED DRIVING ROCK SHAFT CRANK CPL. 51388, 502541, 502542, 502544, 502545, 502546, 502710, 502711-002	502794	x	x	x	x	NEEDLE POSITION ADJUSTING ECCENTRIC POSITION SPRING
502676	x	x	x	x	HOOK SHAFT PRESSURE BUSHING CPL. 502581, 502582	502799	x	x	x	x	MACHINE BASE AND OIL RESERVOIR DRAIN PLUG SCREW GASKET
502677	x	x	x	x	HOOK SHAFT WITH OIL FILTER CPL. 271808, 276236, 502568, 502928, 502958	502800	x	x	x	x	NEEDLE BAR YOKE CONNECTING LINK CARRIER FRAME DISC SPRING
502679	x	x	x	x	KNEE LIFTER ROCK FRAME HINGE STUD PIN	502801	x	x	x	x	NEEDLE BAR YOKE CONNECTING LINK STUD
502681-002	x	x	x	x	ARM SHAFT CPL. 1259, 140172, 502723-002	502802	x	x	x	x	NEEDLE BAR YOKE CONNECTING LINK HINGE BEARING STUD SNAP RING (2)
502682	x	x	x	x	ARM SHAFT CONNECTION BELT PULLEY CPL. 214206, 500272, 500274, 502509	502802	x	x	x	x	NEEDLE BAR YOKE CONNECTING LINK CARRIER FRAME SNAP RING
502687-002	x	x	x	x	NEEDLE BAR YOKE WITH OIL FELT CPL. 502594, 502608, 502688-002	502803	x	x	x	x	NEEDLE VIBRATING ADJUSTING LEVER
502688-002	x	x	x	x	NEEDLE BAR YOKE	502805	x	x	x	x	NEEDLE BAR YOKE CONNECTING LINK CARRIER FRAME
502693	x	x	x	x	NEEDLE BAR CONNECTING STUD CPL. 500251, 502602, 502603	502806	x	x	x	x	ARM COVER (BACK)
502694	x	x	x	x	NEEDLE BAR CRANK STUD CPL. 270161, 502607	502811	x	x	x	x	ARM COVER (TOP)
502696	x	x	x	x	PRESSER BAR POSITION GUIDE CPL. 51369, 502545	502812	x	x	x	x	MACHINE PULLEY CPL. 141566, 141567, 272142
502698	x	x	x	x	THREAD TAKE-UP SPRING REGULATOR CPL. 50305, 502669	502817	x	x	x	x	NEEDLE BAR YOKE CONNECTING LINK HINGE BEARING CPL. 502616, 502757
502699	x	x	x	x	PRETENSION BRACKET CPL. 460, 502654	502818	x	x	x	x	HOOK GEAR BOX VENT CAP
502702	x	x	x	x	OIL PUMP GEAR CPL. 502644, TWO 50311	502819	x	x	x	x	NEEDLE BAR YOKE CONNECTING LINK CARRIER FRAME CPL. 502789, 502805, 502850, 502857, TWO 624
502703	x	x	x	x	BED SHAFT BUSHING (FRONT) CPL. 502515, 502516	502820	x	x	x	x	NEEDLE POSITION ADJUSTING ECCENTRIC CPL. 502776, 502781, 502793, TWO EACH 500302, 502762
502704	x	x	x	x	BED CONNECTION BELT PULLEY CPL. 502517, TWO 500319	502822	x	x	x	x	KNEE LIFTER ROCK FRAME CPL. 502679, 502758, 502786
502705	x	x	x	x	OIL PUMP DRIVING GEAR CPL. 502506, TWO 1258	502823	x	x	x	x	KNEE LIFTER LIFTING ROD WITH TWO 502830
502710	x	x	x	x	FEED DRIVING ROCK SHAFT CRANK CPL. 502559, TWO 624	502824	x	x	x	x	HOOK DRIVING SHAFT PLUG (FOR UN-USED BED HOLE)
502711-002	x	x	-	x	FEED BAR WITH PINCH SCREW CPL. 50578, 502540-002	502825	x	x	x	x	NEEDLE VIBRATING ECCENTRIC SHAFT BUSHING (FRONT)
502712	x	x	x	x	BED SHAFT GEAR CPL. 502519, TWO 1259	502826	x	x	x	x	FEED DRIVING ROCK SHAFT BUSHING (FRONT)
502713	x	x	x	x	HOOK DRIVING SHAFT BUSHING CPL. 502533, 502566	502827	x	x	x	x	ARM COVER (FRONT) CPL. 502828, 502829, TWO 140753
502714	x	x	x	x	HOOK DRIVING SHAFT HELICAL BEVEL GEAR CPL. 502567, TWO 1259	502828	x	x	x	x	ARM COVER (FRONT)
502715	x	x	x	x	HOOK SHAFT BEVEL GEAR CPL. 502569, TWO 1259	502829	x	x	x	x	STITCH LENGTH INDICATOR PLATE
502716	x	x	-	-	BOBBIN CASE CAP CPL. 200592, 201016, 502528, 508530	502830	x	x	x	x	KNEE LIFTER LIFTING ROD GRIP RING (2)
502717	x	x	x	x	BOBBIN CASE LATCH LEVER	502830	x	x	x	x	FEED DRIVING CONNECTION CARRIER FRAME SPRING STUD GRIP RING
502720	x	x	x	x	KNEE LIFTER ROCK SHAFT HUB CPL. 502591, TWO 500332	502831	x	x	x	x	ARM SHAFT BUSHING (CENTER) SCREW PLUG
502723-002	x	x	x	x	ARM SHAFT WITH NEEDLE BAR CRANK WITH 502927	502832	x	x	x	x	FEED REGULATING SHAFT PLUG (FOR UN-USED HOLE)
502736	x	x	x	x	NEEDLE VIBRATING ADJUSTING BRACKET CPL. 502775, 502778, 502780, TWO 502776, TWO 502793	502833	x	x	x	x	ARM COVER (BACK) GASKET
502751	x	x	x	x	NEEDLE VIBRATING ECCENTRIC SHAFT BUSHING (BACK) PLUG	502834	x	x	x	x	ARM OIL SHIELD (AERATED PLASTIC) RETAINER
502752	x	x	x	x	BED SHAFT BUSHING (CENTER) OIL TUBE PLUG	502835	x	x	x	x	NEEDLE VIBRATING ADJUSTING LEVER OIL GUIDE
502754	x	x	x	x	BED SHAFT PLUG	502836	x	x	x	x	BED SHAFT CPL. 502752, 502837
502755	x	x	x	x	NEEDLE VIBRATING ECCENTRIC SHAFT GEAR	502837	x	x	x	x	BED SHAFT
502756	x	x	x	x	NEEDLE VIBRATING ECCENTRIC SHAFT GEAR CPL. 500301, 502754	502838	x	x	x	x	BED SHAFT BUSHING (BACK)
502757	x	x	x	x	NEEDLE VIBRATING ECCENTRIC SHAFT BUSHING (BACK)	502839	x	x	x	x	FEED DRIVING ECCENTRIC CPL. 449, 500308, 502840
502758	x	x	x	x	NEEDLE BAR YOKE CONNECTING LINK HINGE BEARING BUSHING (2)	502840	x	x	x	x	FEED DRIVING ECCENTRIC
502760	x	x	x	x	KNEE LIFTER ROCK FRAME HINGE STUD	502841	x	x	-	x	FEED DRIVING CONNECTION CPL. 502843, 502844, 502847, TWO 502845, FOUR 507063
502761	x	x	x	x	NEEDLE VIBRATING ECCENTRIC SHAFT BUSHING (FRONT) PLUG	502842	-	x	x	x	MACHINE BASE AND OIL RESERVOIR WITH KNEE LIFTER CPL. 228364, 502583, 502587-002 502587-003, 502720, 502882, 502937, 502994, 502996, 502999, 503000, 508501, 508503, 508504, 508516, TWO 508502
502762	x	x	x	x	NEEDLE POSITION ADJUSTING ECCENTRIC NEEDLE POSITION ADJUSTING ECCENTRIC BUSHING (SMALL) SNAP RING (2)	502843	x	x	x	x	FEED DRIVING CONNECTION LEVER
502763	x	x	x	x	ARM SHAFT BUSHING (CENTER)	502844	x	x	-	x	FEED DRIVING CONNECTION LINK
502764	x	x	x	x	OIL GUARD	502845	x	x	x	x	FEED DRIVING CONNECTION LEVER HINGE PIN (2)
502768	x	x	x	x	NEEDLE BAR YOKE CONNECTING LINK	502847	x	x	-	x	FEED DRIVING CONNECTION CRANK CPL. 1177, 502848
502770	x	x	x	x	ARM COVER (FRONT) GASKET	502848	x	x	-	x	FEED DRIVING CONNECTION CRANK
502771	x	x	x	x	NEEDLE VIBRATING ECCENTRIC COMPOUND SPLIT PIN (2)						
502772	x	x	x	x	NEEDLE POSITION ADJUSTING ECCENTRIC REGULATING STUD						
502775	x	x	x	x	NEEDLE VIBRATING ADJUSTING BRACKET						
502776	x	x	x	x	NEEDLE VIBRATING ADJUSTING BRACKET STUD (2)						
502776	x	x	x	x	NEEDLE POSITION ADJUSTING ECCENTRIC BUSHING (SMALL) SLIDE BLOCK STUD						
502777	x	x	x	x	NEEDLE VIBRATING ADJUSTING GUIDE CRANK						
502778	x	x	x	x	NEEDLE VIBRATING ADJUSTING GUIDE CRANK CPL. 1147, 502777						

PART NO.	FOR CLASS 457 G				DESCRIPTION	PART NO.	FOR CLASS 457 G				DESCRIPTION
	105	115	116	117			105	115	116	117	
502849	x	x	x	x	FEED REGULATING SHAFT INDICATOR STOP SCREW RETAINING SPRING	502938	-	x	x	x	FOOT CONTROL REVERSE FEED CONNECTING SHAFT LEVER CPL. 1489, 502939
502850	x	x	x	x	NEEDLE BAR YOKE CONNECTING LINK SLIDE BEARING	502939	-	x	x	x	FOOT CONTROL REVERSE FEED CONNECTING SHAFT LEVER
502850	x	x	x	x	FEED DRIVING CONNECTION LEVER SLIDE BEARING	502945	x	x	x	x	TENSION CPL. 1560, 32574, 147151, 147152, 276225, 502668, 502698, TWO 2102
502853	x	x	x	x	FEED DRIVING CONNECTION CARRIER FRAME CPL. 51369, 502850, 502854, 502857, 502858, 502949	502946	x	x	x	x	OIL RETURN TUBE (LOWER) (LONG) CLAMP
502854	x	x	x	x	FEED DRIVING CONNECTION CARRIER FRAME	502948	x	x	x	x	PRESSER BAR WITH PRESSER FOOT SCREW CPL. 500256
502857	x	x	x	x	NEEDLE BAR YOKE CONNECTING LINK CARRIER FRAME SLIDE STUD	502949	x	x	x	x	FEED DRIVING CONNECTION CARRIER FRAME SPRING STUD
502857	x	x	x	x	FEED DRIVING CONNECTION CARRIER FRAME SLIDE STUD	502958	x	x	x	x	HOOK SHAFT SNAP RING
502858	x	x	x	x	FEED DRIVING CONNECTION CARRIER FRAME SLIDE STUD OIL WICK	502975	x	x	x	x	FEED REGULATING SHAFT INDICATOR CPL. 129, 502876, 502976, 507063
502859	x	x	x	x	FEED DRIVING CONNECTION CARRIER FRAME BEARING STUD (LEFT)	502976	x	x	x	x	FEED REGULATING SHAFT INDICATOR LEVER
502860	x	x	x	x	FEED DRIVING CONNECTION CARRIER FRAME BEARING STUD (RIGHT)	502979	x	x	x	x	FEED REGULATING SHAFT SPACER
502862	x	x	x	x	FEED REGULATING CONNECTION SHAFT CRANK LINK	502987	x	-	-	-	FEED REVERSING PLUNGER HOLE PLUG (FOR UN-USED HOLE)
502863	x	x	x	x	FEED REGULATING CONNECTION SHAFT CRANK CPL. 160, 502864	502992	x	x	x	x	ARM SHAFT BUSHING (CENTER) SCREW GASKET RING
502864	x	x	x	x	FEED REGULATING CONNECTION SHAFT CRANK	502992	x	x	x	x	KNEE LIFTER ROCK FRAME HINGE STUD LOCK SCREW GASKET RING
502866	x	x	x	x	FEED DRIVING CONNECTION CARRIER FRAME SPRING	502993	x	x	x	x	NEEDLE BAR CPL. 223, 238, 502597
502867	x	x	x	x	FEED DRIVING CONNECTION CARRIER FRAME SPRING STUD	502994	x	x	x	x	KNEE LIFTER ROCK SHAFT SPACER
502868	x	x	x	x	FEED REGULATING CONNECTING SHAFT BUSHING	502996	x	x	x	x	KNEE LIFTER CONTROL SHAFT CPL. 500271
502869	x	x	x	x	FEED REGULATING CONNECTING SHAFT WITH 502765	502997	x	x	x	x	500785, 502997, 502998, 508302
502872	x	x	x	x	FEED REGULATING CONNECTING SHAFT COLLAR CPL. 502873, TWO 51334	502998	x	x	x	x	KNEE LIFTER CONTROL SHAFT CRANK
502873	x	x	x	x	FEED REGULATING CONNECTION SHAFT COLLAR	502998	x	x	x	x	KNEE LIFTER ROCK SHAFT CRANK
502876	x	x	x	x	FEED REGULATING SHAFT INDICATOR LEVER CONNECTING LINK	502999	x	x	x	x	KNEE LIFTER ROCK SHAFT CPL. 502589, 502998, 508302
502878	x	x	x	x	FEED REGULATING SHAFT	503000	x	x	x	x	KNEE LIFTER CONTROL SHAFT GRIP RING
502879	x	x	x	x	FEED DRIVING ROCK SHAFT CPL. 502560-002, 502880	503595	x	x	-	-	PRESSER FOOT (HINGED)
502880	x	x	x	x	FEED DRIVING ROCK SHAFT	503645	x	x	-	-	COMBINED SCREW DRIVER AND SCREW WRENCH
502881	x	x	x	x	BED SHAFT GEAR BOX COVER	503669	x	x	x	x	WRENCH (5/64 INCH HEXAGON)
502882	x	x	x	x	MACHINE BASE AND OIL RESERVOIR CPL. 500329, 502799	503682	x	x	-	-	THROAT PLATE, 53 NEEDLE HOLE, FOR NEEDLE SIZES 12 TO 14
502883	x	-	-	-	MACHINE BASE AND OIL RESERVOIR WITH KNEE LIFTER CPL. 228364, 502583, 502587-002, 502606, 502720, 502882, 502937, 502987, 502994, 502996, 502999, 503000, 508501, 508503, TWO 508502	503683	x	x	-	-	FEED DOG
502884	x	x	x	x	BED SPACER (FRONT AND RIGHT SIDE) (2)	503690	-	-	x	x	PRESSER FOOT (HINGED)
502885	x	x	x	x	BED SPACER (REAR) (2)	503691	-	-	x	-	THROAT PLATE, 53 NEEDLE HOLE, FOR NEEDLE SIZES 16 TO 20
502886	x	x	x	x	HOOK SHAFT GEAR BOX OIL PIPE HOLDER	503692	-	-	-	-	FEED DOG
502887	x	x	x	x	NEEDLE VIBRATING MECHANISM CPL. 502755, 502768, 502785, 502787, 502801, 502817, TWO EACH 502793, 502802	507063	x	x	x	x	FEED DRIVING CONNECTION LEVER HINGE PIN RETAINER (4)
502888	x	x	x	x	BED SHAFT BUSHING (CENTER)	507063	x	x	x	x	FEED REGULATING SHAFT INDICATOR LEVER CONNECTING LINK STUD RETAINER
502890	x	x	x	x	ARM OIL SHIELD (AERATED PLASTIC)	507063	x	x	x	x	FEED REGULATING CONNECTION SHAFT CRANK LINK RETAINER
502891	x	x	x	x	SINGER LIGHT STUD HOLE SCREW PLUG GASKET	507063	x	x	x	x	FEED REGULATING SHAFT INDICATOR LEVER HINGE STUD RETAINER
502892	x	x	x	x	FEED DRIVING ROCK SHAFT BUSHING (CENTER)	507523	x	x	x	x	FEED DRIVING CONNECTION CARRIER FRAME STOP SCREW WASHER (2)
502896	x	x	x	x	NEEDLE BAR YOKE GUIDE (REAR)	508302	x	x	x	x	KNEE LIFTER CONTROL SHAFT CRANK PIN
502897	x	x	x	x	NEEDLE BAR YOKE GUIDE (FRONT)	508302	x	x	x	x	KNEE LIFTER ROCK SHAFT CRANK PIN
502898	x	x	x	x	NEEDLE VIBRATING ADJUSTING SHAFT CLAMPING BRACKET CPL. 690, 502922, 502923	508501	x	x	x	x	KNEE LIFTER ROCK SHAFT CONNECTION
502907	x	x	x	x	ARM COVER (BACK) SCREW GASKET RING (6)	508502	x	x	x	x	KNEE LIFTER ROCK SHAFT CONNECTION GRIP RING (2)
502907	x	x	x	x	ARM COVER (TOP) SCREW (LONG) GASKET RING (2)	508503	x	x	x	x	MACHINE BASE AND OIL RESERVOIR GASKET
502907	x	x	x	x	ARM COVER (TOP) SCREW (SHORT) GASKET RING (2)	508504	-	x	x	x	FOOT CONTROL REVERSE FEED LEVER CPL. 158, 508515
502907	x	x	x	x	ARM COVER (FRONT) SCREW GASKET RING (3)	508505	x	x	x	x	OIL FILTER WITH OIL FILTER MOUNTING SUPPORT
502908	x	x	x	x	BED SHAFT BUSHING (CENTER) OIL TUBE	508506	x	x	x	x	BED SLIDE SPRING
502909	x	x	x	x	ARM COVER (TOP) GASKET	508507	x	x	x	x	BED SLIDE CPL. 502522, 508506, TWO 238
502914	x	x	x	x	ARM HEAD OIL DRAIN WICK SLINGER CPL. 502915, TWO 500320	508514	x	x	x	x	OIL DISTRIBUTOR PLATE
502915	x	x	x	x	ARM HEAD OIL DRAIN WICK SLINGER	508515	-	x	x	x	FOOT CONTROL REVERSE FEED LEVER PLUG
502916	x	x	x	x	ARM HEAD OIL DRAIN WICK	508516	-	x	x	x	FOOT CONTROL REVERSE FEED PLUNGER WASHER
502917	x	x	x	x	OIL RETURN TUBE	508518	x	x	x	x	THREAD CUTTER ON FACE PLATE
502918	x	x	x	x	ARM HEAD OIL DRAIN WICK CLAMP (UPPER)	508523	x	x	x	x	FEED DRIVING CONNECTION CARRIER FRAME STOP (BACK)
502919	x	x	x	x	ARM HEAD OIL DRAIN WICK CLAMP (BACK)	508524	x	x	x	x	FEED DRIVING CONNECTION CARRIER FRAME STOP (FRONT)
502920	x	x	x	x	PRESSER BAR SPRING SCREW STUD GASKET	508525	-	-	x	-	BED SHAFT WITH 502752
502922	x	x	x	x	NEEDLE VIBRATING ADJUSTING SHAFT (UPPER) CLAMPING BRACKET	508526	-	-	x	-	FEED DRIVING ROCK SHAFT CRANK CPL. 51388, 502541, 502542, 502546, 502710, 508527, 508528, TWO 502544
502923	x	x	x	x	NEEDLE VIBRATING ADJUSTING SHAFT (LOWER) CLAMPING BRACKET	508527	-	-	x	-	FEED BAR LIFTING LINK
502926	x	x	x	x	ARM SHAFT OIL SLINGER AND PINION SPACER CPL. 460, 502511-002	508528	-	-	x	-	FEED BAR WITH 500268
502927	x	x	x	x	ARM SHAFT AND NEEDLE BAR CRANK PIN	508529	-	-	x	-	FEED DRIVING CONNECTION CPL. 502843, 508531, 508532, TWO 502845, FOUR 507063
502928	x	x	x	x	HOOK SHAFT OIL FILTER FELT (WICK)	508530	x	x	x	x	BOBBIN CASE TENSION SPRING
502929	x	x	x	x	NEEDLE VIBRATING PINION CPL. TWO 500318	508531	-	-	x	-	FEED DRIVING CONNECTION LINK
502930	x	x	x	x	NEEDLE BAR YOKE GUIDE SEAL (FRONT AND REAR) (2)	508532	-	-	x	-	FEED DRIVING CONNECTION CRANK CPL. 1177
502931	x	x	x	x	FEED DRIVING CONNECTION CARRIER FRAME SPRING RETAINER	508533	-	-	x	x	HOOK AND BOBBIN CASE CPL. 508534, 508656
502932	x	x	x	x	FEED DRIVING CONNECTION CARRIER FRAME SPRING CPL. 502866, 502931	508534	-	-	x	x	HOOK CPL. 141507, 508535, 508536, 508537, TWO 500306, THREE 141525
502935	x	-	-	-	FEED REVERSING FOOT CONTROL LEVER PIN COLLAR	508535	-	-	x	x	HOOK BODY WITH 502563
502937	x	x	x	x	FEED REVERSING FOOT CONTROL LEVER PIN	508536	-	-	x	x	HOOK GIB
						508537	-	-	x	x	HOOK NEEDLE GUARD AND COUNTERBALANCE
						508591	-	-	x	x	BOBBIN CASE CAP CPL. 200964, 210736, 502529, 508592
						508592	-	-	x	x	BOBBIN CASE CAP CPL. 200592, 201016, 508530, 508593
						508593	-	-	x	x	BOBBIN CASE CAP
						508656	-	-	x	x	BOBBIN CASE CPL. 502527, 508591

259462



200299
200056
225444
225458
200113
259428

457 } 259930

244071 } 225453
259660 }

NO. 12
(3/4 INCH)

201572
13710
2102
201499 } 225461

202478

259429 225459 225454 225455 225456 200082 228026 259662