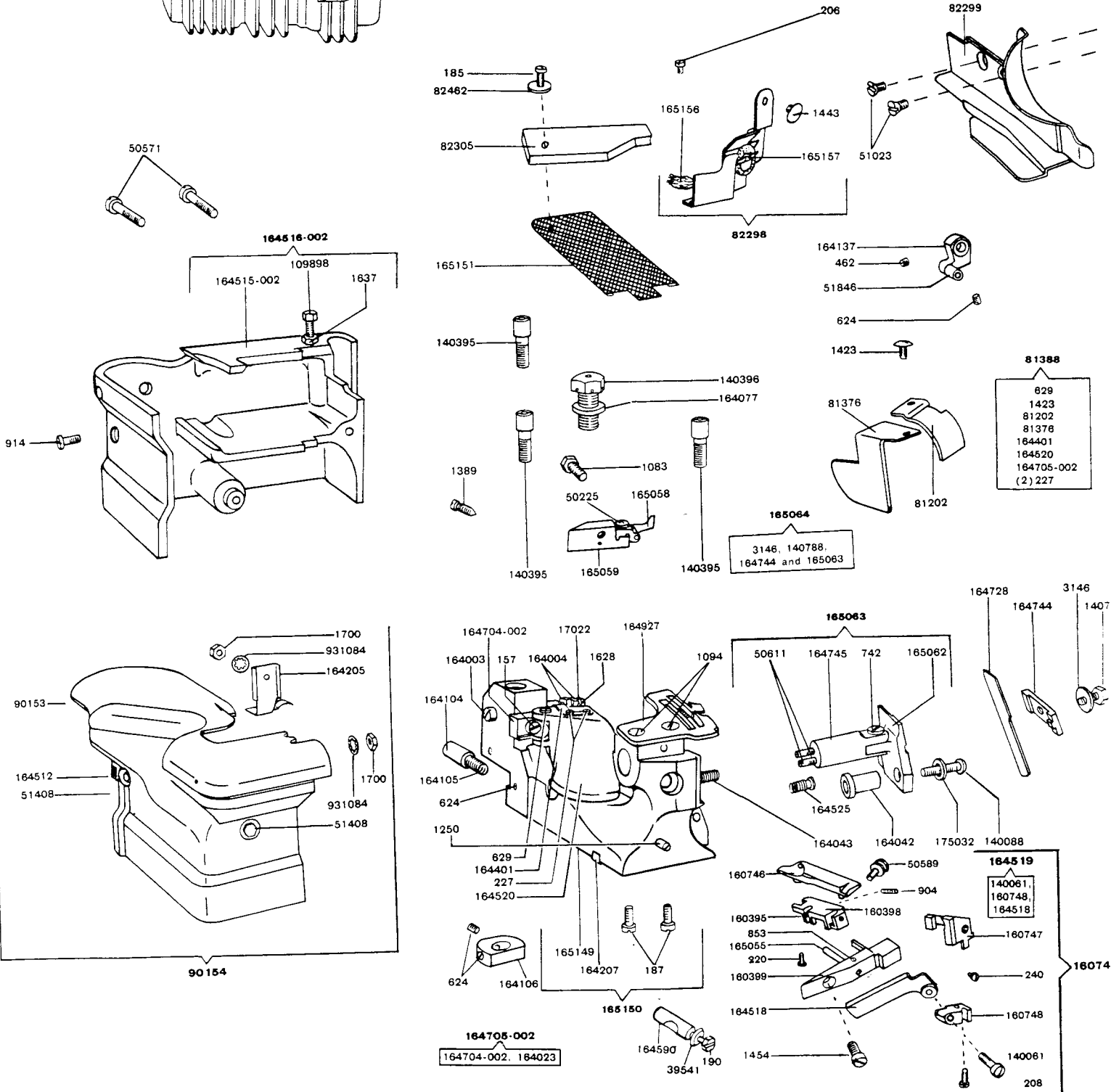
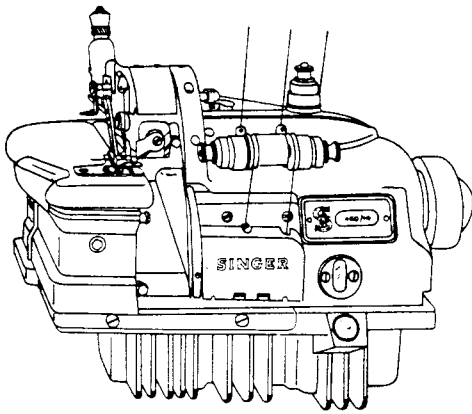


SINGER

460/14

SINGER[®] 460/14



LIST OF PARTS FOR 460/14 MACHINE

Part No.	Description	Part No.	Description
145(809)	Oil Cooler Cover Screw	1454(805)	Edge Guide Support and Throat Plate Guide Screw
157(803)	Feed Eccentric Cover Bracket Screw	1485(809)	Machine Frame Oil Drip Sight Gauge Window Retainer Screw
157(803)	Oil Reservoir Screw	1607(809)	Thread (Spreader) Thread Eyelet (stationary) Nut
157(830)	Needle Driving Shaft Crank Connection Cap (lower) Screw	1628(803)	Feed Bar Slide Block (back) Nut
171(830)	Needle Driving Shaft Crank Connection Cap (upper) Screw	1628(809)	Spreader Carrier Connecting Link Adjusting Screw (front) Stop Screw Nut
185(809)	Machine Frame Bracket Oil Screen Screw	1637(819)	Presser Bar Lifting Lever Stop Screw Nut
187(805)	Machine Frame Bracket Key Screw	1671(803)	Feed (back) Bar Connection Hinge Screw Stud Nut
187(805)	Thread (spreader) Take-up Screw	1671(803)	Feed (front) Bar Connection Hinge Screw Stud Nut
190(805)	Knife (stationary) and Needle Guard Holder Adjusting Stud Cap Screw	1698(809)	Machining Frame Oil Lead Screw Nut
190(805)	Thread (looper) Take-up Screw (lower)	1700(809)	Cloth Plate Extension Screw Nut
206(809)	Machine Frame Oil Splash Guard (internal) Screw (bottom)	1700(809)	Cloth Plate Lock Spring Nut
208(809)	Cloth Guide Bracket Screw	1700(809)	Cloth Plate Position Bracket Screw Nut
220(809)	Edge Guide (floating) Spring Screw Lock Screw	1700(809)	Spreader Locking Screw Stud Nut
227(809)	Feed Eccentric Cover Latch Spring Screw	1700(809)	Presser Bar (swing-out) Lifting Screw Stud Nut
240(809)	Edge Guide(fixed) Screw	2102	Tension (heavy) Disc
330(809)	Machine Frame Top Cover Oil Lead Screw	2102	Tension (light) Disc
332(809)	Thread (looper and spreader)Plate Cover Spring Screw	3146	Knife (stationary) Clamping Gib Screw Washer
442(830)	Spreader Carrier Connecting Link Adjusting Screw(front) Stop Screw	17022	Feed Bar Slide Block (back) Nut Washer
447(830)	Knife (movable) Lever Bearing Set Screw (long)	17022	Thread (Spreader) Take-up Screw Washer
447(830)	Knife (movable) Lever Guide Holder Thread Tube Set Screw (Machine Frame End)	39541	Knife (stationary) and Needle Guard Holder Adjusting Stud Cap Screw Washer
447(830)	Knife (movable) Lever Hinge Stud Set Screw (back)	39541	Machine Frame Oil Lead Screw Washer
448(830)	Machine Pulley Set Screw	45057	Looper Driving Shaft Crank Key Screw Washer
460(830)	Knife (movable) Lever Guide Thread Tube Set Screw	45057	Spreader Driving Shaft Crank Key Screw Washer
460(830)	Looper Carrier Screw Set Screw	50060(810)	Presser Bar (swing-out) Opening Lever Hinge Screw
460(830)	Thread Eyelet (needle thread) SetScrew	50073(809)	Knife (movable) Lever Cover and Presser Bar (upright) Housing Screw
462(830)	Presser Bar LiftingBracket Set Screw (short)	50133(803)	Tension (heavy) Screw Stud
624(830)	Cloth Plate Plunger Set Screw	50133(803)	Tension (light) Screw Stud
624(830)	Cloth Plate PositionCollar Set Screw	50225(809)	Needle Guard Screw
624(830)	Knife (movable) Lever Bearing Set Screw (short)	50225(809)	Presser Foot Clamping Plate Screw
624(830)	Machine Frame OilTube Set Screw	50225(809)	Presser Foot Hemming Guide Clamping Screw
624(830)	Presser Bar Lifting Bracket Set Screw (long)	50318	Knife (movable) Hinge Cover Screw
624(830)	Thread (spreader)Tube Set Screw	50318(818)	Thread (looper and spreader) Plate Thread Bushing Screw
629(810)	Feed Eccentric Cover Hinge Screw	50379(806)	Looper Set Screw
665(809)	Chain Cutter Knife Screw	50504(830)	Oil Cooler Plug Screw
691(803)	Machine Frame Wearing Plate Screw	50571(809)	Machine Frame Cover (back) Screw (long)
742(806)	Knife (stationary) and NeedleGuard Holder Screw	50589(810)	Edge Guide Adjusting Screw
853(830)	Looper ThreadTube Set Screw	50611(803)	Knife (stationary) and Needle Guard Holder Position Screw
896(830)	Thread (looper and spreader) Plate Screw	51023(818)	Machine Frame Oil Splash Guard (top) Screw
904(830)	Edge Guide (floating) Spring Screw	51139(809)	Oil Cooler Screw (long)
904(830)	Spreader Position Collar Set Screw	51332(803)	Machine Frame Rotary Shaft Bushing (intermediate) Set Screw
914(809)	Machine Frame Cover (back) Screw (short)	51362(830)	Chain Cutter Screw
1036(830)	Machine Frame Rotary Shaft Bushing (front) Set Screw	51362(830)	Presser Bar (swing-out) Pivot Screw Locking Plate Screw
1036(830)	Machine Frame Rotary Shaft Counterbalance Set Screw	51369(803)	Machine Frame Rotary Shaft Ball Bearing Housing Screw
1083(803)	Looper DrivingShaft Crank Clamping Screw	51369(809)	Machine Frame Top Cover Screw
1083(803)	Looper Carrier Holder Clamping Screw	51408(830)	Cloth Plate Extension Screw
1083(803)	Spreader Driving Lever Clamping Screw	51408(830)	Cloth Plate Position Bracket Screw
1083(803)	Spreader Driving Shaft Crank Clamping Screw	51768	Needle Clamping Nut
1083(803)	Needle Driving Shaft Crank ClampingScrew	51846	Presser Bar Lifting Bracket Roller and Stud
1083(805)	Needle Guard Holder Screw	59456	Looper Carrier Holder Washer
1094(806)	Throat Plate Screw	59537	Tension (heavy) Spring Bushing
1100(830)	Feed (back) Dog Section (right) Screw	59537	Tension (light) Spring Bushing
1143(830)	Knife (movable) Lever Hinge Stud Set Screw (top)	81201-014	Feed (back) Eccentric
1209(809)	Chip Guard Screw (lower)	81201-014	Feed (front) Eccentric
1250(830)	Cloth Plate LockSpring Screw Stud	81202	Feed Eccentric Cover Bracket Oil Cover
1324(830)	Looper Carrier Screw	81203	Looper Driving Shaft Bushing (front)
1324(830)	Looper Driving Shaft Crank Key Screw	81204	Spreader Driving Shaft Bushing (front)
1324(805)	Spreader Driving Shaft Crank Key Screw	81206	Machine Frame Oil Drip Sight Gauge (background) Disc
1324(809)	Oil Cooler Screw (short)	81207	Machine Frame Oil Drip Sight Gauge Tube and Support
1389(830)	Feed Bar Hinge Pin Set Screw	81209-002	Machine Frame Oil Lead Tube Support
1423(809)	Feed Eccentric Cover Bracket Oil Cover Screw	81225	Machine Frame Rotary Shaft Oil Metering Pin (internal)
1423	Knife(movable) Lever Guide and Needle Thread Bridge Bracket Screw	81226-002	Machine Frame Top Cover Oil Lead
1423	Knife (movable) Lever Guide and Needle Thread Bridge Eyelet Screw	81227	Oil Agitator (right hand)
1423(809)	Thread (spreader)Thread Eyelet Screw	81228	Oil Cooler
1443(819)	Oil Reservoir Lint Guard (back) Clamping Screw	81231	Machine Cushion (large)
1443(819)	Oil Reservoir Lint Guard (front) Clamping Screw	81232	Machine Mounting Post
1443(809)	Machine Frame Oil Splash Guard (internal) Screw(top)	81233	Oil Reservoir Oil Sump Screen Cover
1443(809)	Thread (Spreader) Take-up Eyelet (adjustable) Screw	81237	Oil Agitator (left hand)
1443(809)	Thread (looper) Take-up Screw (upper)	81238	Oil Reservoir Lint Guard (back)
1443(809)	Thread (needle) Controller Screw	81263	Oil Reservoir Oil Sump Screen
1454(806)	Feed (back) Dog Screw	81319	Feed (back) Dog complete, Nos. 1100(830), 164243 and 164280
1454(806)	Feed (front) Dog Screw	81365	Presser Foot Chaining-off Finger
		81366	Presser Foot (hinged), complete, Nos. 81365, 164147, 164509, 164510 and two 50225(809)
		81376	Feed Eccentric Cover Bracket Splash Guard
		81388	Feed Eccentric Cover Nos. 629(810), 1423(809), 81202, 81376, 164401, 164520, 164705-002 and two 227(809)

82275

50060, 82268, 82259, 82274, 82281, 164137, 164138, 164139, 164142, 164143, 164194, 164416, (2) 50318

82273-001

82272 with 82268-001, 82271, 132583 and 164035

164123

164135 164121 146

164035

164034, 164036, 164289

164862

82329

93195

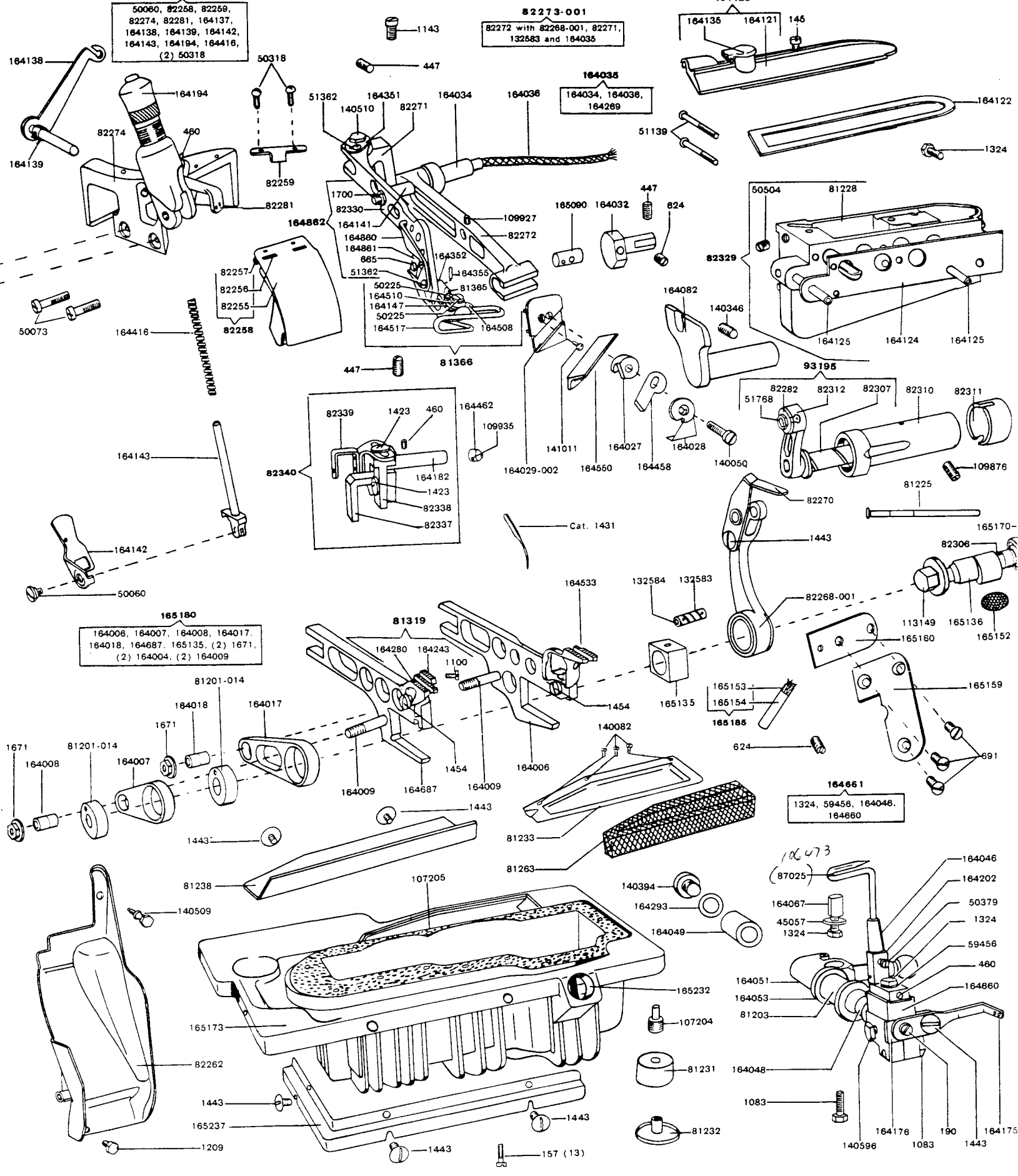
165180

164006, 164007, 164008, 164017, 164018, 164687, 165135, (2) 1671, (2) 164004, (2) 164009

164661

1324, 59456, 164048, 164660

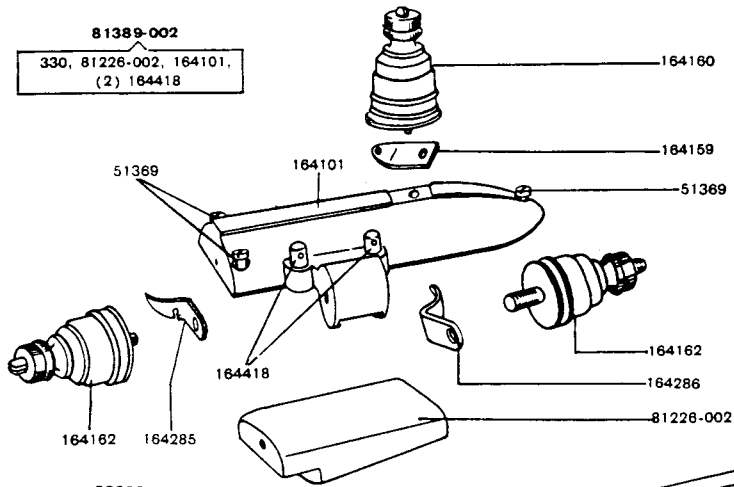
164073 (87025)



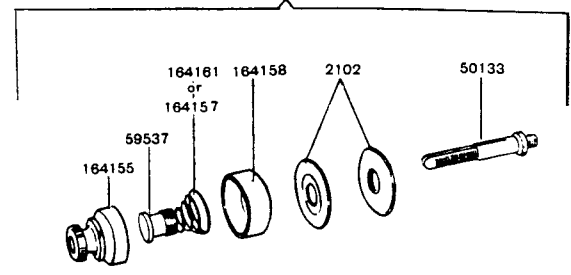
Part No.	Description	Part No.	Description
81389-002	Machine Frame Top Cover 164101 with 330(809), 81226-002 and two 164418	132584	Spreader Carrier Hinge Pin Oil Wick
82255	Knife (movable) Hinged Cover	139026	Machine Frame Rotary Shaft Ball Bearing
82256	Knife (movable) Hinged Cover Hinge	140050(803)	Knife (movable) Clamp Screw
82257	Knife (movable) Hinged Cover Pin	140061(810)	Cloth Guide Hinge Screw
82258	Knife (movable) Hinged Cover 82255 with 82256 and 82257	140082(805)	Oil Reservoir Oil Sump Screen Cover Screw
82259	Knife (movable) Hinged Cover Spring	140088(805)	Knife (stationary) and Needle Guard Holder Sleeve Screw
82262	Chip Guard	140088(813)	Machine Frame Oil Lead Screw
		140159(830)	Looper Driving Shaft Crank Connection Cap (upper) Screw
82268-001	Thread (needle) Controller Lever	140159(830)	Spreader Driving Shaft Crank Connection Cap (upper) Screw
82270	Thread (needle) Controller	140346(830)	Machine Frame Oil Plug Bracket Set Screw
82271	Presser Bar Bracket	140393(830)	Looper Carrier Holder Set Screw (right) (not illustrated)
82272	Knife (movable) Lever with 109927(869)	140394(805)	Looper Driving Shaft Bushing (back) Cap Screw
82273-001	Knife (movable) Lever 82272 with 82268-001, 82271, 132583 and 164035	140394(805)	Spreader Driving Shaft Bushing (back) Cap Screw
82274	Knife (movable) Lever Cover and Presser Bar (upright) Housing with 460(830)	140395(805)	Machine Frame Bracket Screw (small)
82275	Knife (movable) Lever Cover and Presser Bar (upright) Housing complete, Nos.50060(810), 82258, 82259, 82274, 82281, 164137, 164138, 164139, 164142, 164143, 164194, 164416 and two 50318	140396(805)	Machine Frame Bracket Screw (large)
82281	Thread Eyelet (needle thread)	140416(819)	Machine Pulley Cap Screw
82282	Needle Holder Washer and Thread (needle) Controller	140509(809)	Chip Guard Screw (upper)
82291	Spreader Carrier	140510(803)	Presser Bar (swing-out) Pivot Screw
82292	Spreader Carrier Connecting Link	140596(830)	Looper Carrier Holder Set Screw (left)
82293	Spreader Carrier 82291 with two each 109927(869) and 165182-002	140596(830)	Spreader Driving Lever Set Screw
82295	Spreader Driving Lever complete	140596(830)	Needle Driving Shaft Crank Set Screw
82297	Machine Frame Oil Lead	140788(803)	Knife (stationary) Clamping Gib Screw
82298	Machine Frame Oil Splash Guard (internal) complete	141011(809)	Knife (movable) Holder Screw
82299	Machine Frame Oil Splash Guard (top)	160395	Edge Guide (floating) Spring
82301	Machine Frame Rotary Shaft	160398	Edge Guide Bracket with 220(809) and 904(830)
82303	Machine Frame Rotary Shaft 82301 with 82306, 164215-001, 164216-001, 165245, two each 164093 and 164232	160399	Edge Guide Support and Throat Plate Guide with 853(830)
82305	Machine Frame Bracket and Cover (back) Gasket	160746	Edge Guide (floating)
82306	Machine Frame Rotary Shaft Key	160747	Edge Guide (fixed)
82307	Needle Driving Shaft with 82309	160748	Cloth Guide Bracket
82309	Needle Stop Pin (not illustrated)	160749	Edge Guide (floating) complete, Nos.208(809), 240(809), 50589(810), 160395, 160398, 160399, 160746, 160747 and 164519
82310	Needle Driving Shaft Bushing	164003	Feed Bar Hinge Pin (eccentric)
82311	Needle Driving Shaft Bushing Cap	164004	Feed Bar Slide Block (back)
82312	Needle Holder	164006	Feed (front) Bar with 164010
82329	Oil Cooler, Nos. 50504(830), 81228 and two 164125	164007	Feed (back) Bar Connection
82330	Presser Bar (swing-out)	164008	Feed (back) Bar Connection Bearing
82333	Thread (looper and spreader) Plate complete, Nos. 1423(809), 1443(809), 1607(809), 50318(818), 164163, 164165, 164166, 164167, 164173, 164206, 164449 and two each 332(809) and 164171	164009	Feed (back) Bar Connection Hinge Screw Stud
82337	Knife (movable) Lever Guide	164009	Feed (front) Bar Connection Hinge Screw Stud
82338	Knife (movable) Lever Guide and Needle Thread Bridge Bracket	164010	Feed (back) Bar Connection Hinge Screw Stud Position Pin (not illustrated)
82339	Knife (movable) Lever Guide and Needle Thread Bridge Eyelet	164010	Feed (front) Bar Connection Hinge Screw Stud Position Pin (not illustrated)
82340	Knife (movable) Lever Guide 82337 with 460, 82338, 82339, 164182 and two 1423	164017	Feed (front) Bar Connection
82462	Machine Frame Bracket Oil Screen Screw Washer	164018	Feed (front) Bar Connection Bearing
87025	Looper	164023	Feed Eccentric Oil Wick (not illustrated)
87058	Spreader	164027	Knife (movable) Clamp
90153	Cloth Plate	164028	Knife (movable) Guard (lower)
90154	Cloth Plate with Extension complete, Nos. 90153, 164205, 164512, two 931084, three each 1700(809) and 51408(830)	164029-002	Knife (movable) Holder
93195	Needle Driving Shaft 82307 with 51768(803), 82282 and 82312	164032	Knife (movable) Lever Bearing
107204	Oil Reservoir Drain Plug	164034	Knife (movable) Lever Hinge Stud
107205	Oil Reservoir Gasket	164035	Knife (movable) Lever Hinge Stud 164034 with 164036 and 164269
109795(803)	Spreader Carrier Connecting Link Adjusting Screw (front)	164036	Knife (movable) Lever Hinge Stud Oil Wick (long)
109796(803)	Spreader Carrier Connecting Link Adjusting Sleeve Cap Screw (back)	164042	Knife (stationary) and Needle Guard Holder Sleeve
109875(803)	Machine Frame Rotary Shaft Bushing (front) By Pass Oil Control Screw	164043	Knife (stationary) and Needle Guard Holder Spring
109876	Needle Driving Shaft Bushing Locating Screw	164046	Looper Carrier with 460(830), 50379(806) and 164202
109898(803)	Presser Bar Lifting Lever Stop Screw	164048	Looper Driving Shaft
109925(830)	Looper Driving Shaft Crank Connection Cap (lower) Screw	164049	Looper Driving Shaft Bushing (back)
109925(830)	Spreader Driving Shaft Crank Connection Cap (lower) Screw	164049	Spreader Driving Shaft Bushing (back)
109927(869)	Knife (movable) Lever Hinge Pin Set Screw	164051	Looper Driving Shaft Crank with 1083(803)
109927(869)	Spreader Carrier Connecting Link Hinge Pin Set Screw	164052-001	Looper Driving Shaft Crank Connection with two each 109925(830) and 140159(830)
109927(869)	Spreader Carrier Hinge Pin Set Screw	164052-001	Spreader Driving Shaft Crank Connection with two each 109925(830) and 140159(830)
109935(830)	Lint Stripper Set Screw	164053	Looper Driving Shaft Crank Thrust Bearing
113149	Machine Frame Rotary Shaft Nut	164053	Spreader Driving Shaft Crank Thrust Bearing
132583	Knife (movable) Lever Hinge Pin	164062-001	Spreader Driving Lever with 1083(803) and two 140596(830)
132584	Knife (movable) Lever Hinge Pin Oil Wick	164063	Spreader Driving Shaft
132584	Spreader Carrier Connecting Link Hinge Pin Oil Wick	164066	Spreader Driving Shaft Crank with 1083(830)
		164067	Looper Driving Shaft Crank Key
		164067	Spreader Driving Shaft Crank Key
		164068	Spreader Locking Screw Stud
		164071	Machine Pulley Cap
		164077	Machine Frame Bracket Screw (large) Washer (fibre)
		164082	Machine Frame Oil Plug Bracket
		164091	Thread (Spreader) Take-up with 164555
		164093	Machine Frame Rotary Shaft Ball Sleeve (two pieces)
		164096	Machine Frame Rotary Shaft Counterbalance with 1036(830)
		164098	Machine Frame Rotary Shaft Oil and Ball Bearing Grease Retainer
		164099	Machine Frame Rotary Shaft Screw Stud

81389-002

330, 81226-002, 164101,
(2) 164418

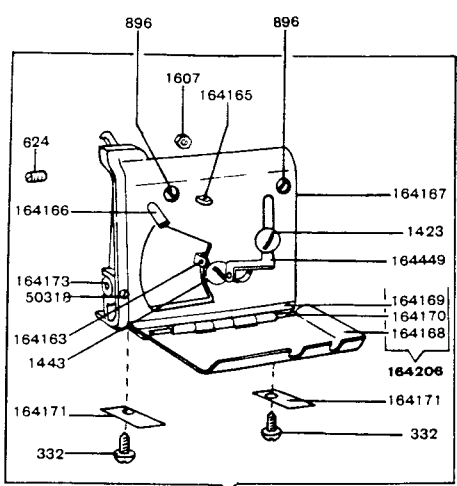
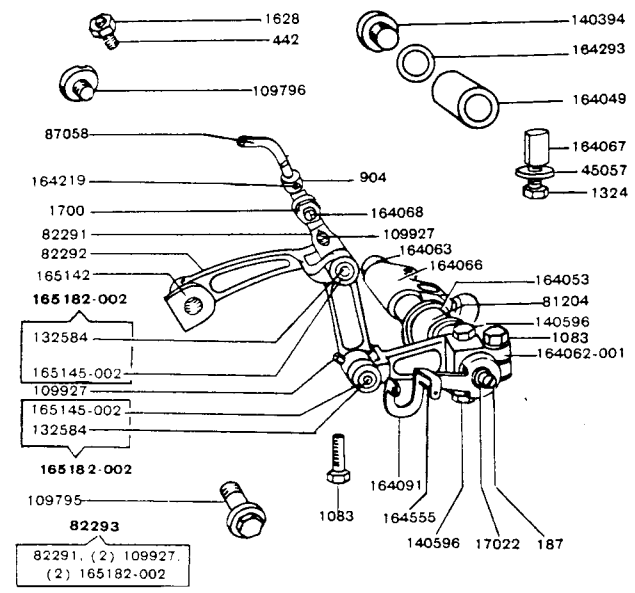
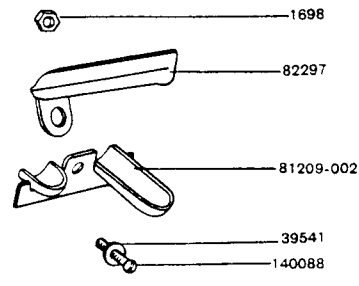
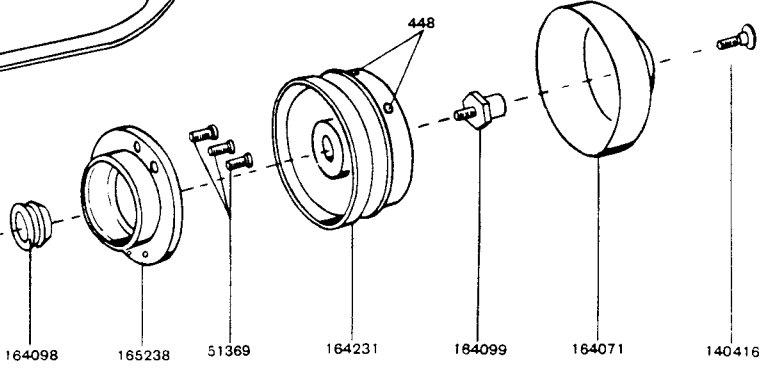
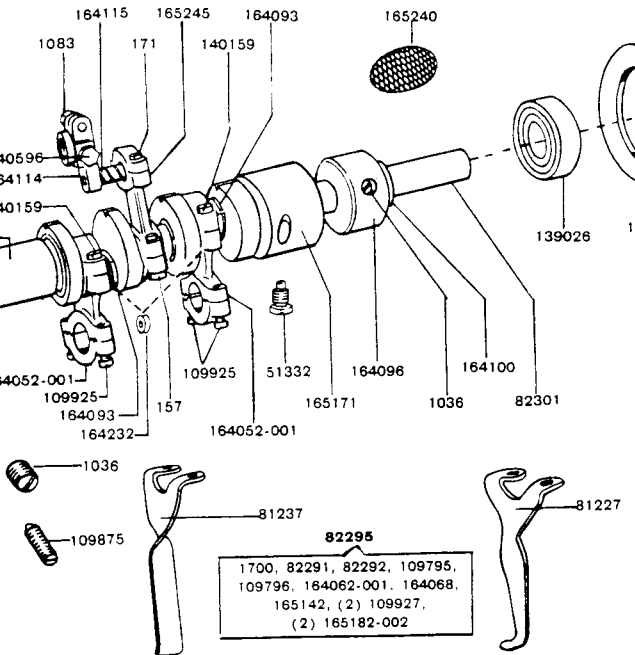
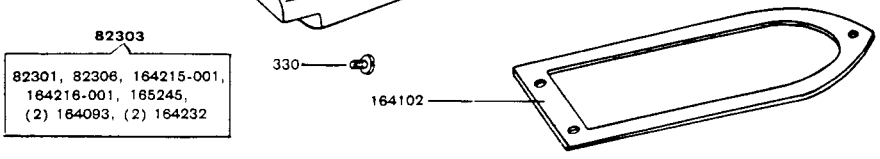


164160
or
164162

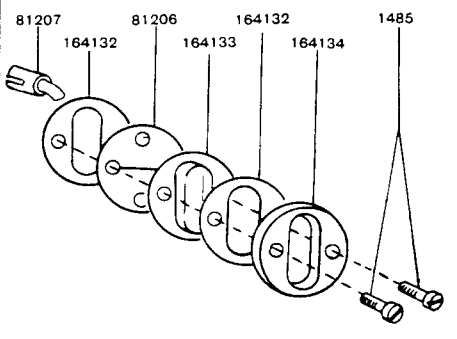


82303

82301, 82306, 164215-001,
164216-001, 165245,
(2) 164093, (2) 164232



82333



<u>Part No.</u>	<u>Description</u>	<u>Part No.</u>	<u>Description</u>
164100	Machine Frame Rotary Shaft Thrust Bearing	164509	Presser Foot Body (hinged) Nos. 164352, 164355 and 164508 (not illustrated)
164101	Machine Frame Top Cover	164510	Presser Foot Hemming Guide Clamping Screw Washer
164102	Machine Frame Top Cover Gasket	164512	Cloth Plate Extension
164104	Cloth Plate Plunger	164515-002	Machine Frame Cover (back)
164105	Cloth Plate Plunger Spring	164516-002	Machine Frame Cover (back) 164515-002 with 1637(819) and 109898(803)
164106	Cloth Plate Position Collar with two 624(830)	164517	Presser Foot Hemming Guide for 1/4", 3/8", 1/2", 5/8", 3/4", 7/8", 1", 1-1/8", 1-1/4", 1-3/8" and 1-1/2" gauges
164114	Needle Driving Shaft Crank with 1083(803) and two 140596(830)	NOTE:	When ordering No. 164517, gauge required must be stated. Unless otherwise specified No. 164517 will be furnished in 3/4" gauge.
164115	Needle Driving Shaft Crank Ball	164518	Cloth Guide
164121	Oil Cooler Cover	164519	Cloth Guide (swing-out) complete, Nos. 140061(810), 160748 and 164518
164122	Oil Cooler Cover Gasket	164520	Feed Eccentric Cover
164123	Oil Cooler Cover 164121 with 164135	164525	Knife (stationary) and Needle Guard Holder Spring Stud
164124	Oil Cooler Gasket	164533	Feed (front) Dog
164125	Oil Cooler Oil Pipe (outlet) (left and right)	164550	Knife (movable)
164132	Machine Frame Oil Drip Sight Gauge Window Gasket	164555	Thread (spreader) Take-up Guide Wire
164133	Machine Frame Oil Drip Sight Gauge Window	164590	Knife (stationary) and Needle Guard Holder Adjusting Stud
164134	Machine Frame Oil Drip Sight Gauge Window Retainer	164660	Looper Carrier Holder with 1083(803), 140393(803) and 140596(830)
164135	Oil Cup (for filling machine)	164661	Looper Carrier Holder 164660 with 1324(830), 59456 and 164046
164137	Presser Bar Lifting Bracket with 462(830), 624(830) and 51846	164687	Feed (back) Bar with 164010
164138	Presser Bar Lifting Lever	164704-002	Feed Eccentric Cover Bracket
164139	Presser Bar Lifting Lever Spring	164705-002	Feed Eccentric Cover Bracket 164704-002 with 164023
164141	Presser Bar (swing-out) Lifting Screw Stud	164728	Knife (stationary)
164142	Presser Bar (swing-out) Opening Lever	164744	Knife (stationary) Clamping Gib
164143	Presser Bar (upright)	164745	Knife (stationary) and Needle Guard Holder Body with two 50611(803)
164144	Presser Bar (upright) Spring (not illustrated)	164860	Chain Cutter Holder
164147	Presser Foot Clamping Plate	164861	Chain Cutter Knife
164155	Tension (heavy) Regulating Thumb Nut	164862	Chain Cutter, complete, Nos. 665(809), 164860 and 164861
164155	Tension (light) Regulating Thumb Nut	164927	Throat Plate
164156	Tension (heavy) Screw Stud 50133 with 164155 (not illustrated)	165055	Looper Thread Tube
164156	Tension (light) Screw Stud 50133 with 164155 (not illustrated)	165058	Needle Guard
164157	Tension (light) Spring	165059	Needle Guard Holder
164158	Tension (heavy) Spring Cover	165062	Knife (stationary) and Needle Guard Holder
164158	Tension (light) Spring Cover	165063	Knife (stationary) and Needle Guard Holder (adjustable) complete, Nos. 742(806), 164745 and 165062
164159	Tension (looper thread) Thread Guide (not illustrated)	165064	Knife (stationary) and Needle Guard Holder (adjustable) with Gib, complete, Nos. 3146, 140788(803), 164744 and 165063
164160	Tension (light) complete, Nos. 59537, 164156, 164157, 164158 and two 2102	165090	Knife (movable) Holder Screw Bearing
164161	Tension (heavy) Spring	165135	Feed Bar Slide Block (front)
164162	Tension (heavy) complete, Nos. 59537, 164156, 164158, 164161 and two 2102	165136	Feed Lifting and Knife (movable) Eccentric
164163	Thread (spreader) Take-up Eyelet (adjustable)	165142	Spreader Carrier Connecting Link Adjusting Sleeve
164165	Thread (spreader) Thread Eyelet (stationary)	165145-002	Spreader Carrier Connecting Link Hinge Pin
164166	Thread (spreader) Tube	165145-002	Spreader Carrier Hinge Pin
164167	Thread (looper) Plate with 624(830)	165149	Machine Frame Bracket
164168	Thread (looper and spreader) Plate Cover	165150	Machine Frame Bracket 165149 with 164207 and two 187(805)
164169	Thread (looper and spreader) Plate Cover Hinge	165151	Machine Frame Bracket Oil Screen
164170	Thread (looper and spreader) Plate Cover Hinge Pin	165152	Machine Frame Oil Screen
164171	Thread (looper and spreader) Plate Cover Spring	165153	Machine Frame Oil Tube
164173	Thread (looper and spreader) Plate Thread Bushing	165154	Machine Frame Oil Tube Wick
164175	Thread (looper) Take-up (left)	165156	Machine Frame Oil Splash Guard (internal) Oil Wick
164176	Thread (looper) Take-up Plate	165157	Machine Frame Oil Splash Guard (internal) Oil Wick Fastener
164182	Knife (movable) Lever Guide Holder Thread Tube	165159	Machine Frame Wearing Plate
164194	Pressure Regulating Thumb Screw	165160	Machine Frame Wearing Plate Spacer
164202	Looper Stop Pin	165170	Machine Frame Rotary Shaft Bushing (front)
164205	Cloth Plate Lock Spring	165171	Machine Frame Rotary Shaft Bushing (intermediate)
164206	Thread (looper and spreader) Plate Cover 164168 with 164169 and 164170	165173	Oil Reservoir with 165232
164207	Machine Frame Bracket Key	165180	Feed (back) and (front) Bars complete, Nos. 164006, 164007, 164008, 164017, 164018, 164687, 165134, two each 1671(803), 164004 and 164009
164215-001	Looper Driving Shaft Crank 164051 with 164052-001 (not illustrated)	165182-002	Spreader Carrier Connecting Link Hinge Pin 165145-002 with 132584
164216-001	Spreader Driving Shaft Crank 164066 with 164052-001 (not illustrated)	165182-002	Spreader Carrier Hinge Pin 165145-002 with 132584
164219	Spreader Position Collar with 904(830)	165185	Machine Frame Oil Tube Nos. 165153 and 165154
164231	Machine Pulley with two 448(830)	165232	Oil Reservoir Oil Sight Gauge (Lucite)
164232	Machine Frame Rotary Shaft Ball Sleeve Guide	165237	Oil Reservoir Lint Guard (front)
164243	Feed (back) Dog Section (right)	165238	Machine Frame Rotary Shaft Ball Bearing Housing
164269	Knife (movable) Lever Hinge Stud Oil Wick (short) (not illustrated)	165239	Machine Frame Rotary Shaft Ball Bearing Housing Gasket
164280	Feed (back) Dog Section (left)	165240	Machine Frame Rotary Shaft Bushing (intermediate) Oil Screen
164285	Tension (looper thread) Thread Guide (left)	165245	Needle Driving Shaft Crank Connection with 164115, two each 157(830) and 171(830)
164286	Tension (looper thread) Thread Guide (right)	175032	Knife (stationary) and Needle Guard Holder Sleeve Screw Washer
164293	Looper Driving Shaft Bushing (back) Cap Screw Washer	931084	Cloth Plate Extension Screw Nut Lock Washer
164293	Spreader Driving Shaft Bushing (back) Cap Screw Washer	931084	Cloth Plate Lock Spring Nut Lock Washer
164351	Presser Bar (swing-out) Pivot Screw Locking Plate		
164352	Presser Foot Body (back)		
164355	Presser Foot Body Hinge Pin		
164401	Feed Eccentric Cover Latch Spring		
164410	Presser Bar (upright) Spring (heavy)		
164418	Tension Thread Eyelet		
164449	Thread (spreader) Thread Eyelet (movable)		
164458	Knife (movable) Guard (upper)		
164462	Lint Stripper with 109935(830)		
164508	Presser Foot Body (front)		