

SINGER
660A51

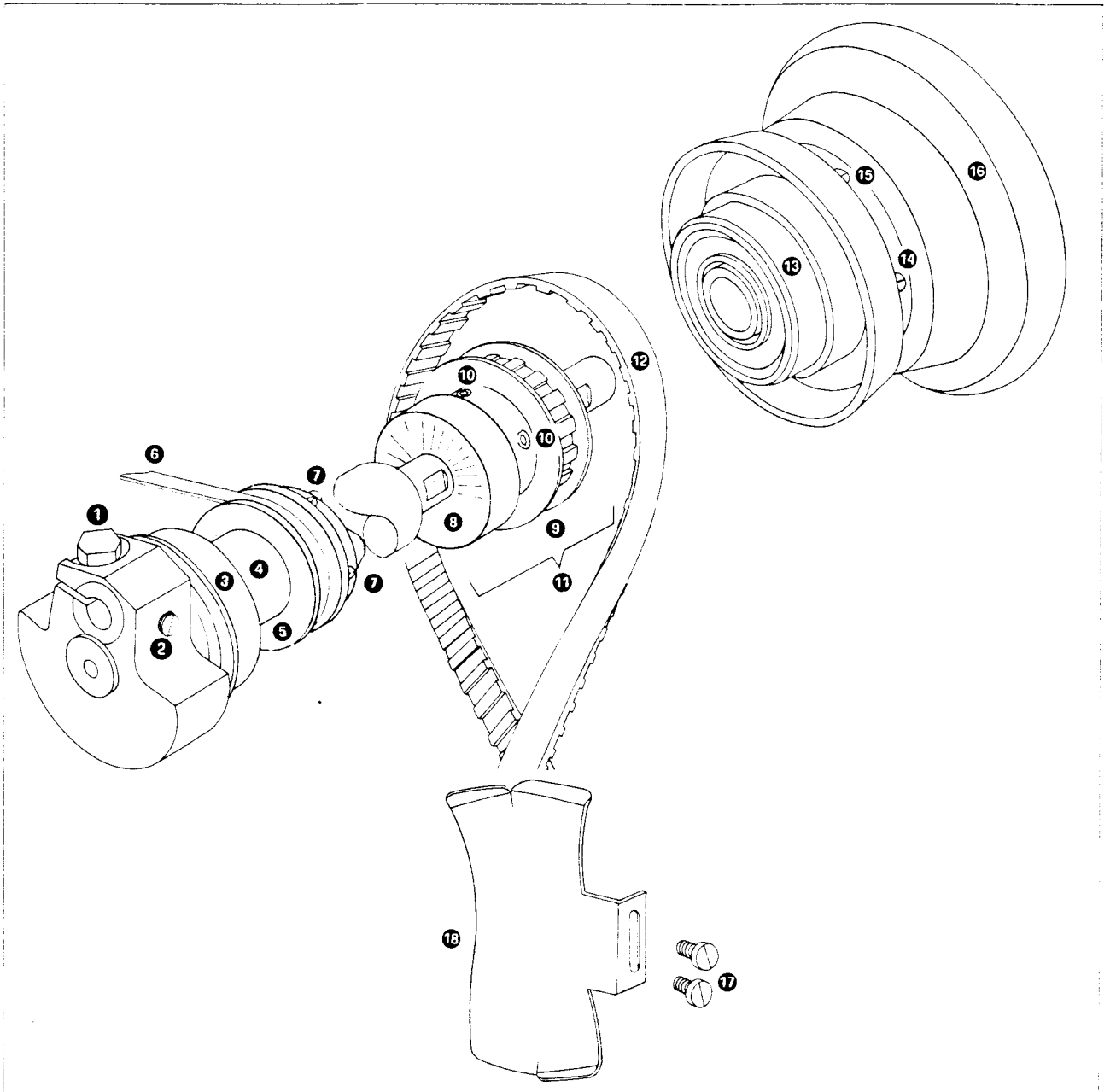
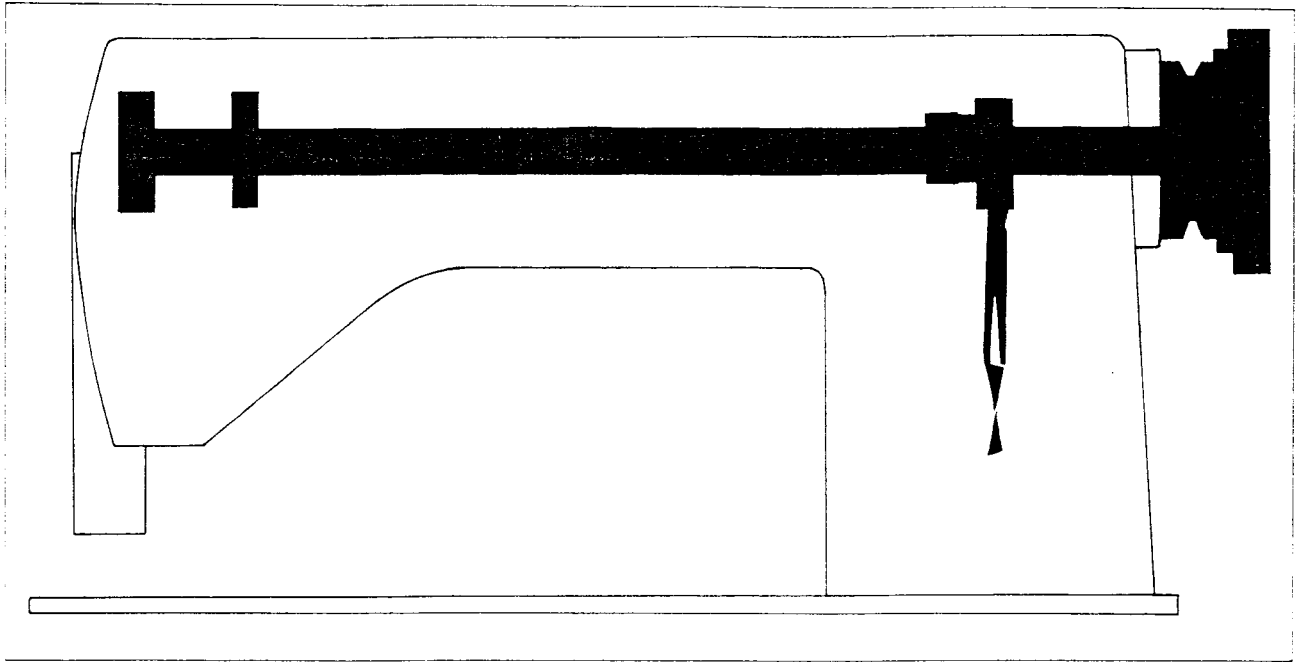
Parts List

SINGER

Parts List

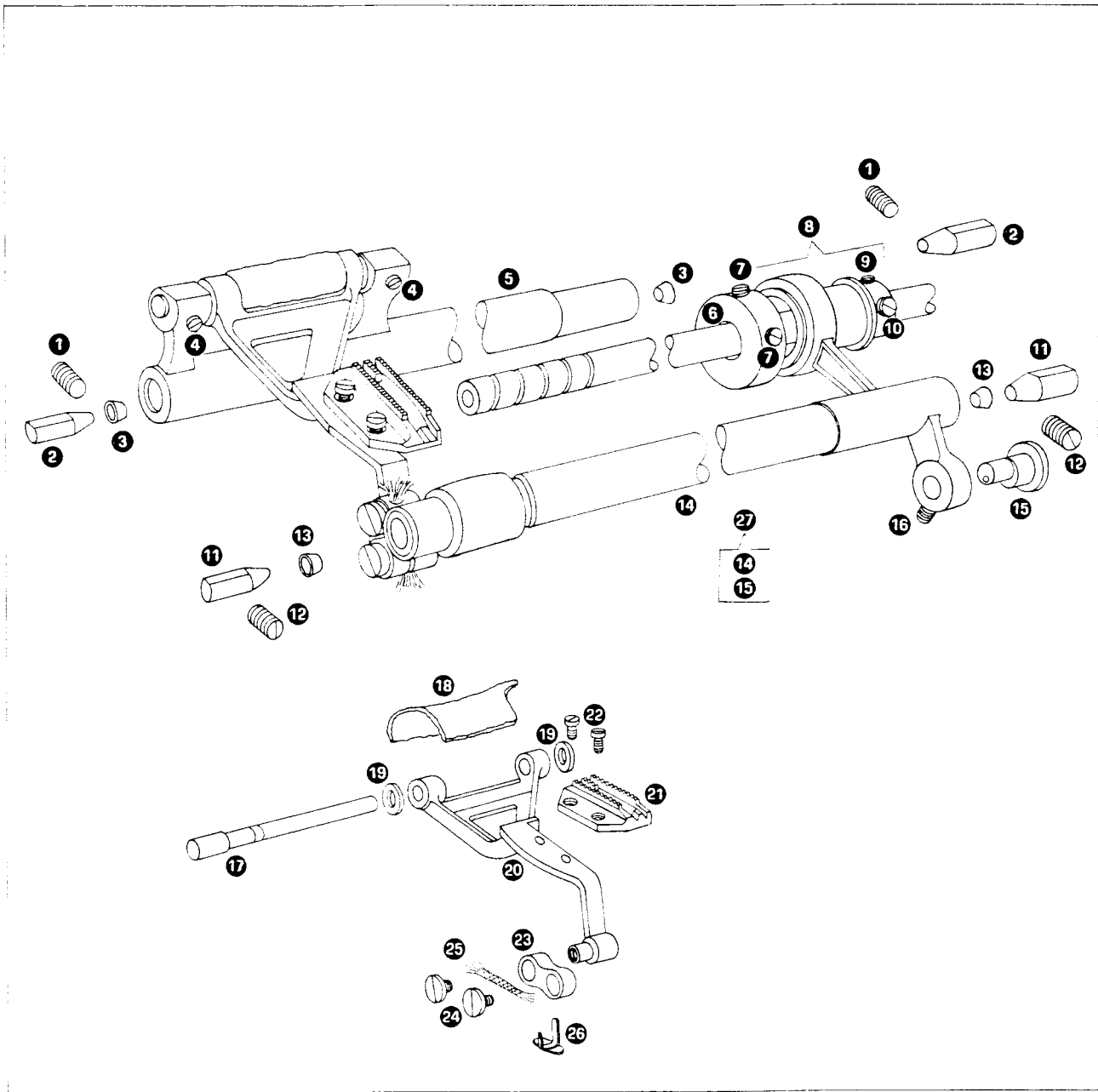
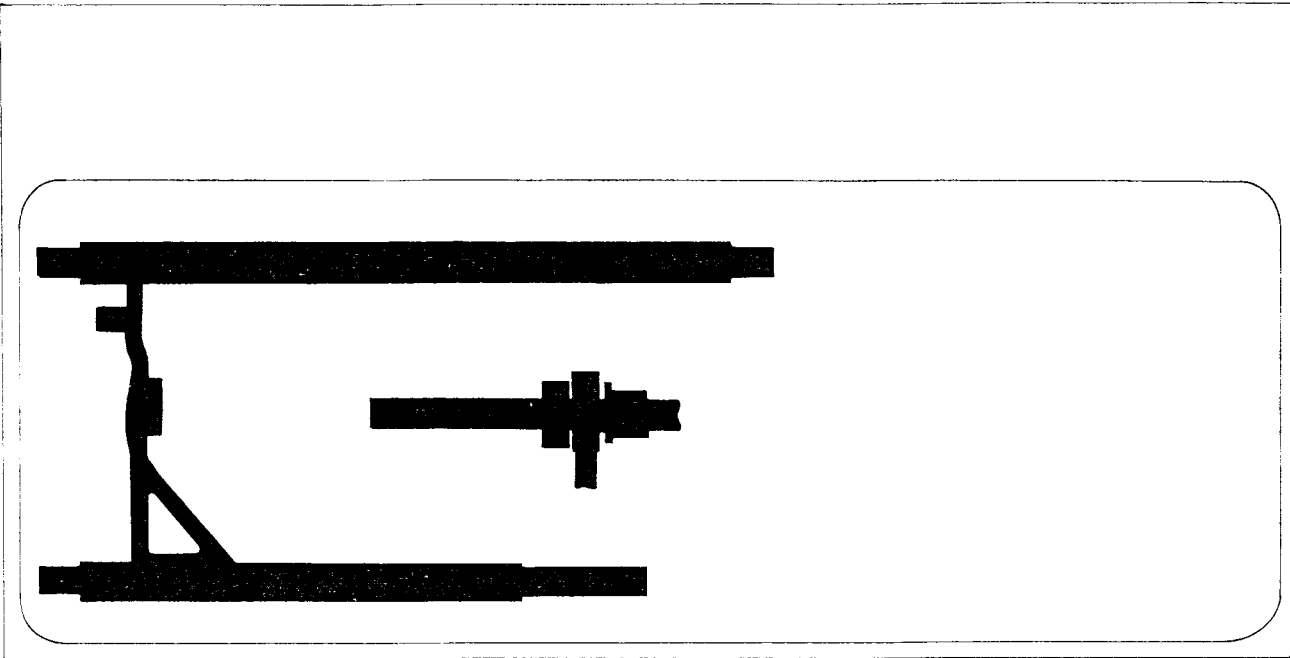
Parts List for 660A51 Machine

Ref. No.	Part No. For Ordering	Description	Amt. Req.
1	140609(803)	Thread Take-up Crank Clamping Screw	
2	1036(803)	Thread Take-up Crank Set Screw	
3	106304	Arm Shaft Ball Bearing (front)	
4	106303	Arm Shaft with Needle Bar Crank also 1036(803) and 140609(803)	
5	107676	Arm Shaft Connection Pulley (front) with two 141292(869)	
6	107719	Upper Feed Shaft Connection Belt	
7	141292(869)	Arm Shaft Connection Pulley (front) Set Screw	2
8	107981	Bobbie Winder Pulley Friction Ring Driving Hub	
9	106306	Arm Shaft Connection Belt Pulley (rear) with two 114063(869)	
10	114063(869)	Arm Shaft Connection Belt Pulley (rear) Set Screw	2
11	107987	Arm Shaft Connecting Belt Pulley (rear) 05306 with 107981	
12	106305	Arm Shaft Connection Belt	
13	106304	Arm Shaft Ball Bearing (back)	
14	141566(803)	Machine Pulley Position Screw	
15	141567(803)	Machine Pulley Set Screw	
16	106323	Machine Pulley with 106304, 141566(803) and 141567(803)	
17	704(830)	Arm Shaft Connection Belt Separator Screw	2
18	106307	Arm Shaft Connection Belt Separator	



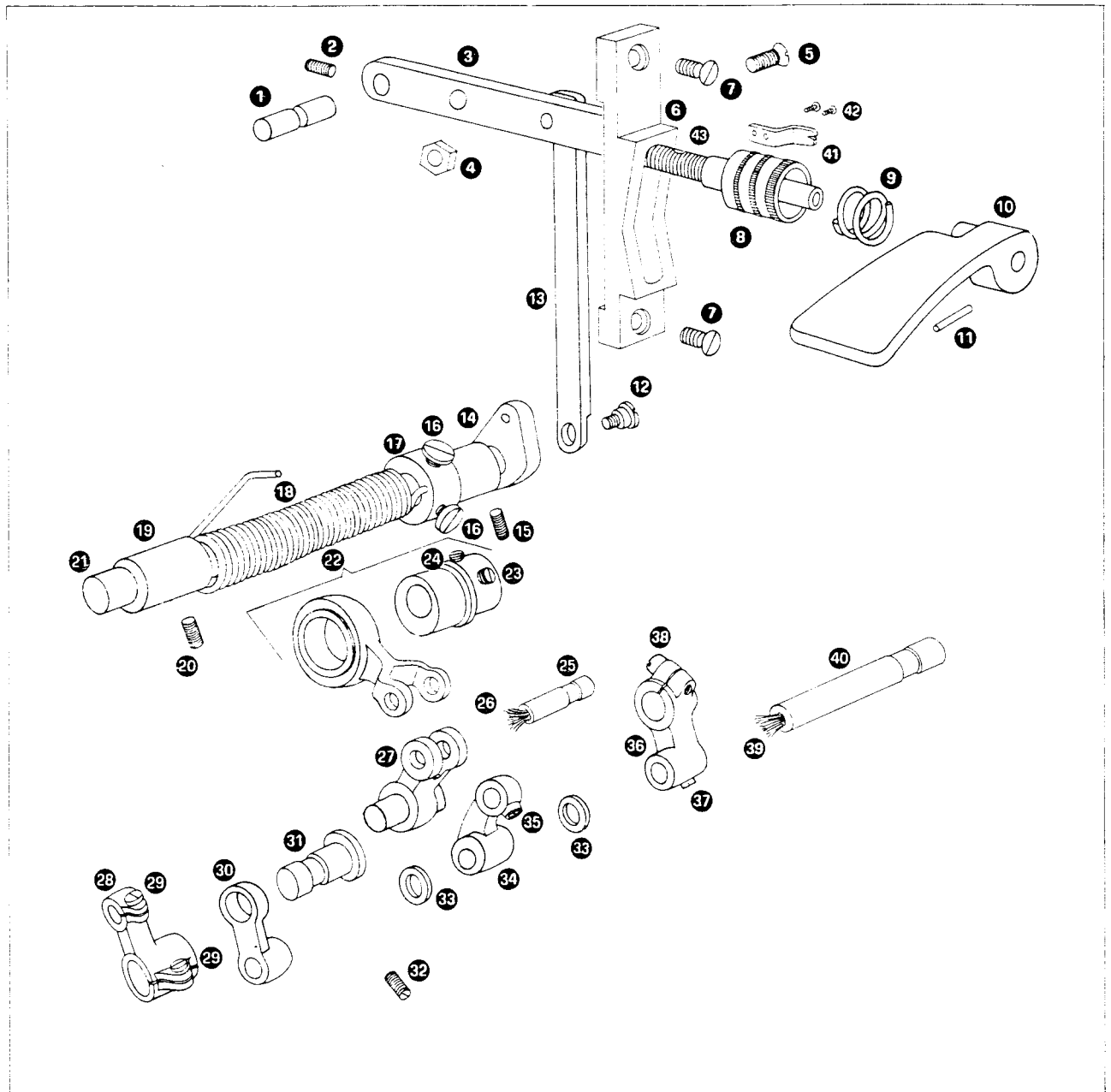
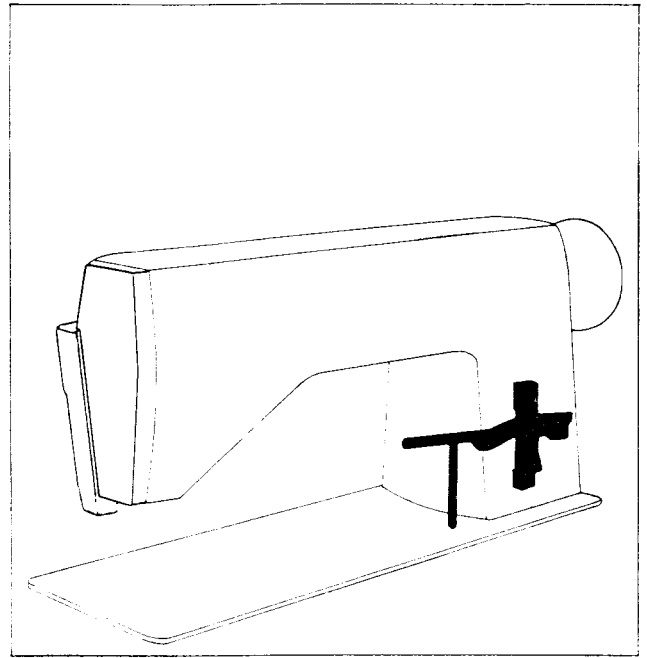
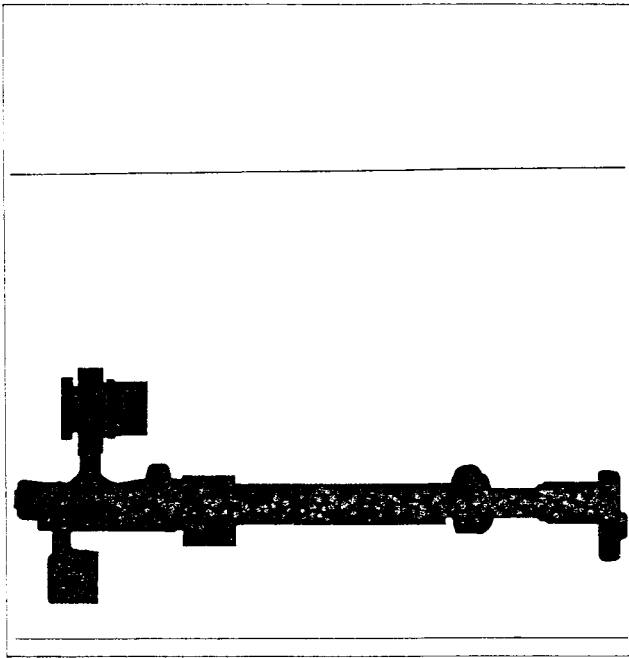
Parts List for 660A51 Machine

Ref No.	Part No. For Ordering	Description	Amt.
1	200346(803)	Feed Driving Rock Shaft Centre Set Screw	2
2	270941	Feed Driving Rock Shaft Centre	2
3	270942	Feed Driving Rock Shaft Centre Insert (nylon)	2
4	200394(803)	Feed Bar Hinge Pin Set Screw	2
5	101984	Feed Driving Rock Shaft with two each 200394(803) and 270942	
6	106313	Feed Lifting Connection Collar with two 443(830)	
7	443(830)	Feed Lifting Connection Collar Set Screw	2
8	106415	Feed Lifting Connection with Feed Lifting Eccentric which includes 200382(830) and 201220(830)	
9	201220(830)	Feed Lifting Eccentric Position Screw	
10	200382(830)	Feed Lifting Eccentric Set Screw	
11	270941	Feed Lifting Rock Shaft Centre	2
12	200346(803)	Feed Lifting Rock Shaft Centre Set Screw	2
13	270942	Feed Lifting Rock Shaft Centre Insert (nylon)	2
14	106315	Feed Lifting Rock Shaft with 350595(830) and two 270942	
15	106314	Feed Lifting Connection Hinge Stud	
16	350595(830)	Feed Lifting Connection Hinge Stud Set Screw	
17	502541	Feed Bar Hinge Pin	
18	101982	Feed Bar Hinge Pin Lubricating Felt.	
19	93930	Feed Bar Hinge Pin Thrust Washer	2
20	93969	Feed Bar	
21	107766	Feed Dog	
22	50117(830)	Feed Dog Screw	2
23	272110	Feed Bar Lifting Link	
24	1423(803)	Feed Bar Lifting Link Cap Screw	2
25	272115	Feed Bar Lifting Link Oiling Wick	
26	272111	Feed Bar Lifting Link Oiling Wick Clamp	
27	106316	Feed Lifting Rock Shaft 106315 with 106314	



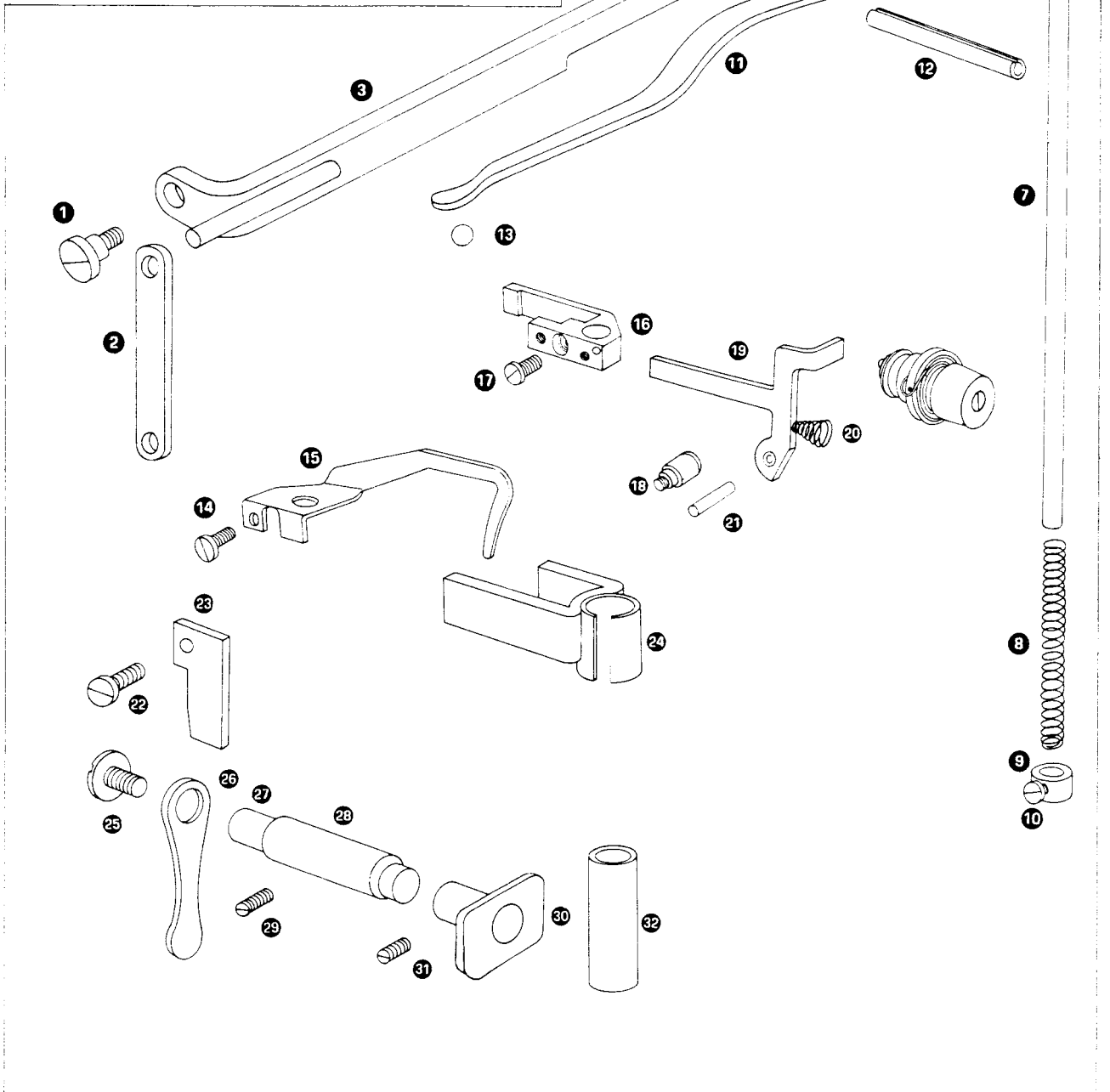
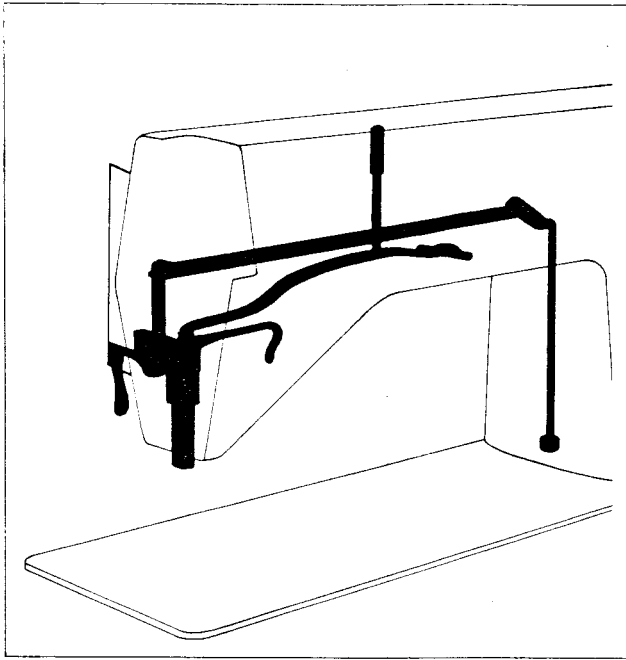
Parts List for 660A51 Machine

Ref. No.	Part No. For Ordering	Description	Amt. Req.
1	276159	Feed Regulator and Feed Reversing Lever Hinge Pin	
2	350477(803)	Feed Regulator and Feed Reversing Lever Hinge Pin Set Screw	
3	106317	Feed Regulator and Feed Reversing Lever	
4	201520(813)	Feed Regulator and Feed Reversing Lever Connection Hinge Screw (upper) Nut	
5	350509(803)	Feed Regulator and Feed Reversing Lever Connection Hinge Screw (upper)	
6	106344	Stitch Indicator Block	
7	742(809)	Stitch Indicator Block Screw	2
8	113183	Feed Regulator and Feed Reversing Lever Thumb Nut	
9	106321	Feed Regulator and Feed Reversing Lever Handle Spring	
10	106319	Feed Regulator and Feed Reversing Lever Handle	
11	81810	Feed Regulator and Feed Reversing Lever Handle Retaining Pin	
12	201107(803)	Feed Regulator and Feed Reversing Lever Connection Hinge Screw (lower)	
13	106318	Feed Regulator and Feed Reversing Lever Connection	
14	276162	Feed Reversing Shaft Bushing (back)	
15	200382(830)	Feed Reversing Shaft Bushing (back) Set Screw	
16	200092(806)	Feed Reversing Shaft Spring Adjusting Collar Set Screw	2
17	276167	Feed Reversing Shaft Spring Adjusting Collar with two 200092(806)	
18	276166	Feed Reversing Shaft Spring	
19	276179	Feed Reversing Shaft Bushing (front)	
20	200362(830)	Feed Reversing Shaft Bushing (front) Set Screw	
21	276161	Feed Reversing Shaft	
22	106413	Feed Driving Connection with Feed Driving Eccentric, also with 1259(830) and 109768(833)	
23	1259(833)	Feed Driving Eccentric Set Screw	
24	109768(833)	Feed Driving Eccentric Position Screw	
25	276171	Feed Driving Connection Link Hinge Pin with 244071	
26	244071	Feed Driving Connection Link Hinge Pin Oil Packing (Wick)	
27	106414	Feed Driving Connection Link	
28	106419	Feed Driving Connection Crank with 141207(805)	
29	141207(805)	Feed Driving Connection Crank Pinch Screw	2
30	16478	Feed Reverse Mechanism Support Link	
31	16479	Feed Reverse Mechanism Support Stud	
32	200362(830)	Feed Reverse Mechanism Support Stud Set Screw	
33	16487	Feed Reversing Shaft Crank and Feed Driving Connection Connecting Link Wearing Disc	2
34	16486	Feed Reversing Shaft Crank and Feed Driving Connection Connecting Link with 114044(830)	
35	114044(830)	Feed Driving Connection Link Hinge Pin Set Screw	
36	16483	Feed Reversing Shaft Link with 458(830) and 141207(805)	
37	458(830)	Feed Reversing Shaft Link Hinge Stud Set Screw	
38	141207(805)	Feed Reversing Shaft Link Pinch Screw	
39	276046	Feed Reversing Shaft Link Hinge Stud Oil Packing (wick)	
40	276164	Feed Reversing Shaft Link Hinge Stud with 276046	
41	107552	Stitch Indicator	
42	51369(809)	Stitch Indicator Screw	2
43	107991	Feed Regulator and Feed Reversing Lever Insert	



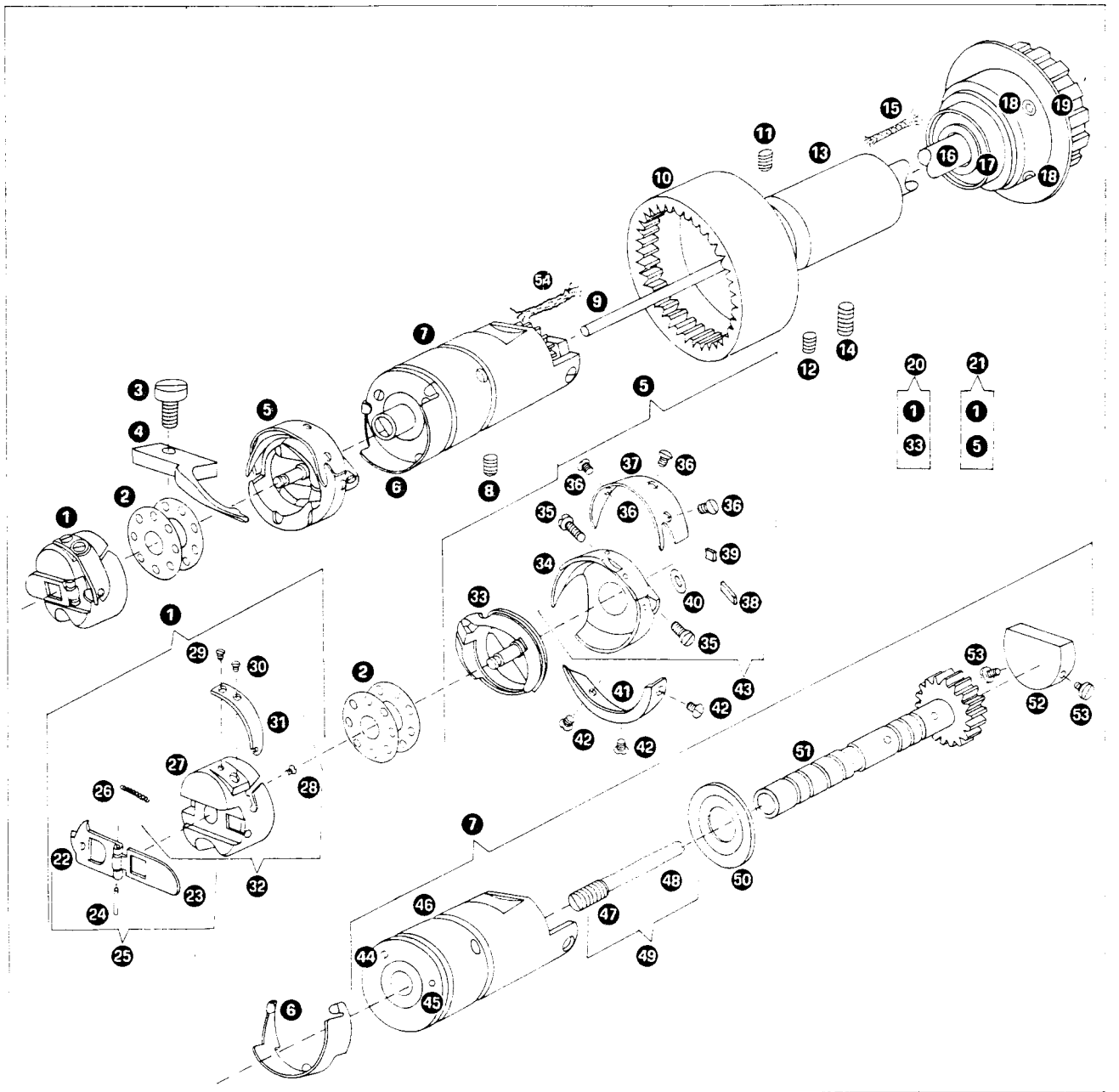
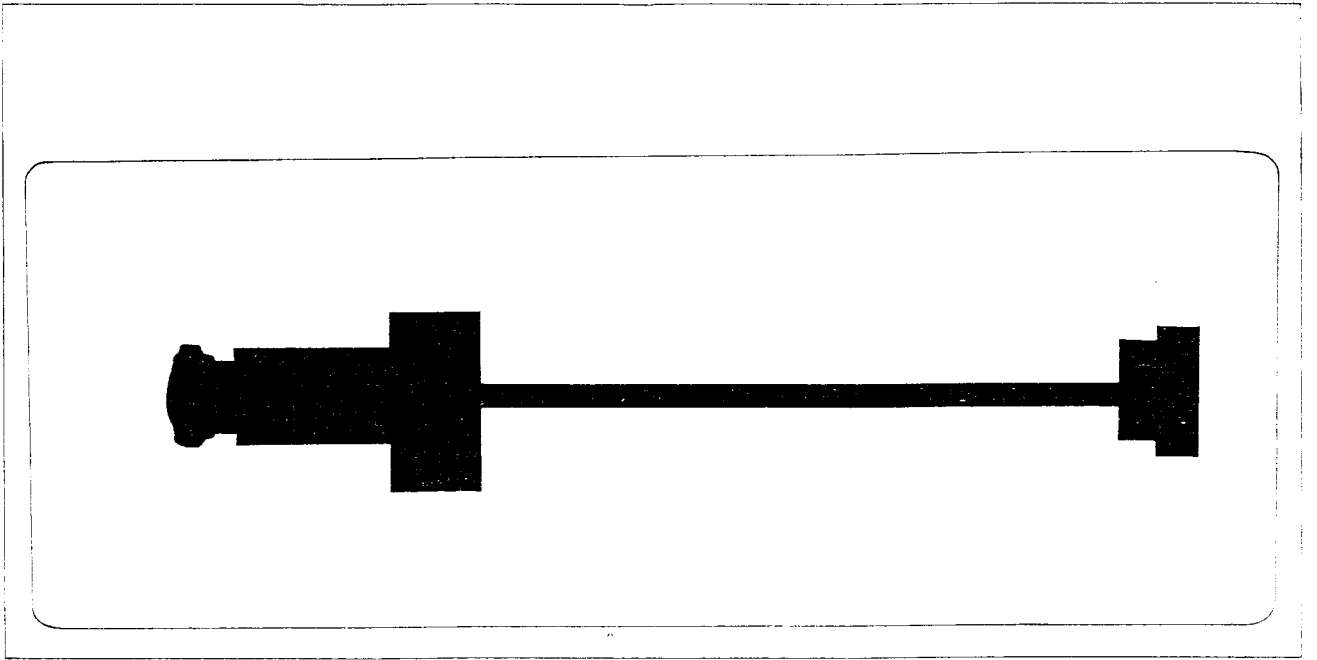
Parts List for 660A51 Machine

Ref. No.	Part No. For Ordering	Description	Amt. Req.
1	200272(833)	Knee Lifter Rock Frame Hinge Screw (front)	
2	107757	Knee Lifter Lifting Link	
3	276109	Knee Lifter Rock Frame	
4	350435(803)	Presser Bar Spring Screw (pressure regulating)	
5	202302	Knee Lifter Lifting Rod Cotter Pin	
6	200679(806)	Knee Lifter Rock Frame Hinge Screw (back)	
7	107758	Knee Lifter Lifting Rod with 202302	
8	276016	Knee Lifter Lifting Rod Spring	
9	227227	Knee Lifter Lifting Rod Spring Collar with 200113(806)	
10	200113(806)	Knee Lifter Lifting Rod Spring Collar Set Screw	
11	106336	Presser Bar Spring	
12	106394	Presser Bar Spring Locating Pin (roll pin)	
13	276025	Presser Bar Ball	
14	190(809)	Slack Thread Regulator Screw	
15	106342	Slack Thread Regulator	
16	106335	Presser Bar Position Guide with 158(803)	
17	158(803)	Presser Bar Position Guide Pinch Screw	
18	114065(830)	Knee Lifter Link Hinge Screw	
19	106345	Tension Releasing Lever	
20	12329	Tension Releasing Lever Spring	
21	12398	Tension Releasing Lever Hinge Pin	
22	208(830)	Presser Bar Lifting Releasing Lever Bracket Retainer Screw	
23	107713	Presser Bar Lifting Releasing Lever Bracket Retainer	
24	107714	Presser Bar Lifting Releasing Lever Bracket	
25	1480(806)	Presser Bar Lifter Lever Set Screw	
26	17596	Presser Bar Lifter Lever	
27	107775	Presser Bar Lifter Shaft	
28	107776	Presser Bar Lifter Shaft Bush	
29	449(830)	Presser Bar Lifter Shaft Bush Set Screw	
30	107768	Presser Bar Lifter with 350595(869)	
31	350595(869)	Presser Bar Lifter Screw	
32	107700	Presser Bar Bushing	



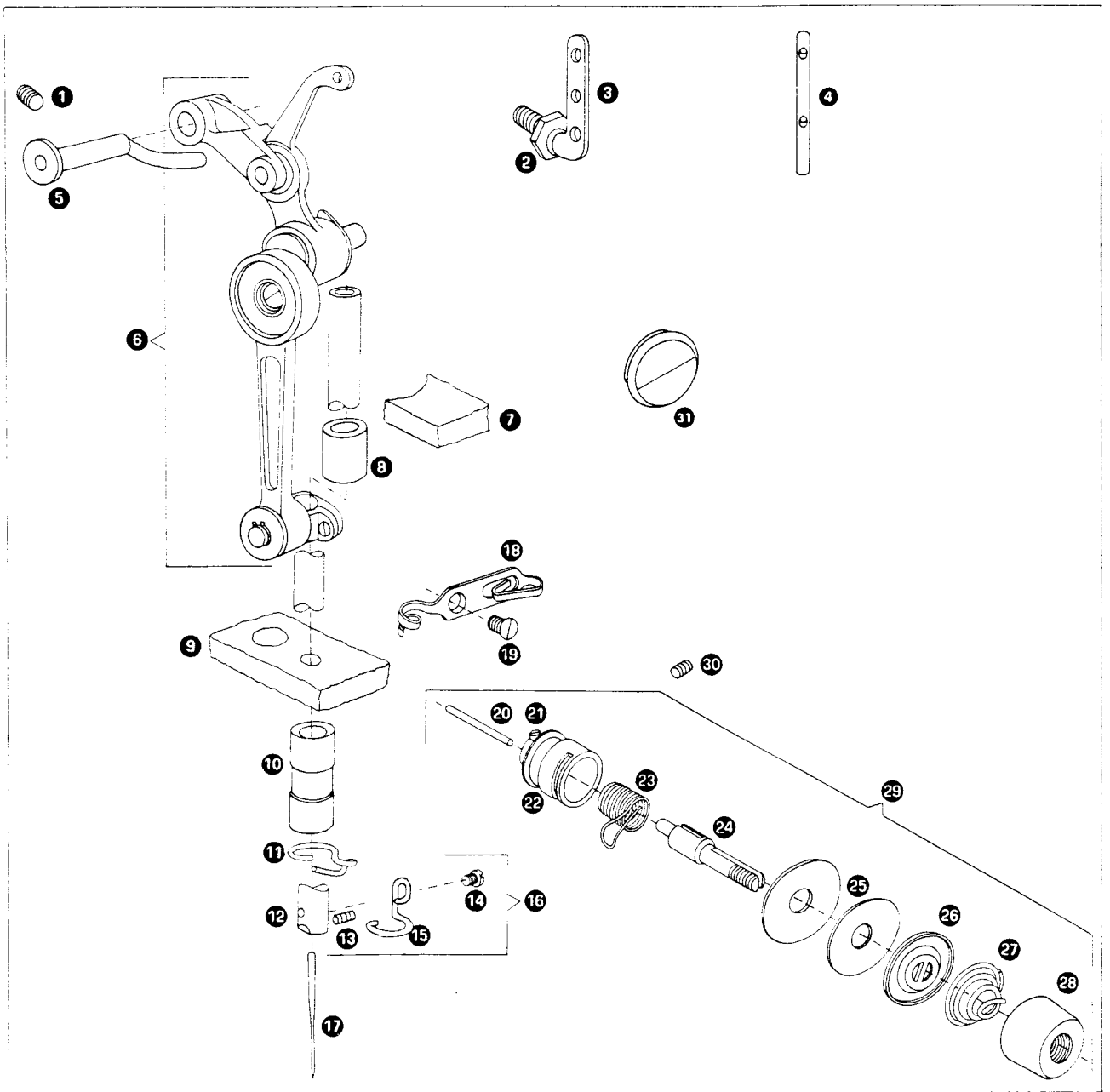
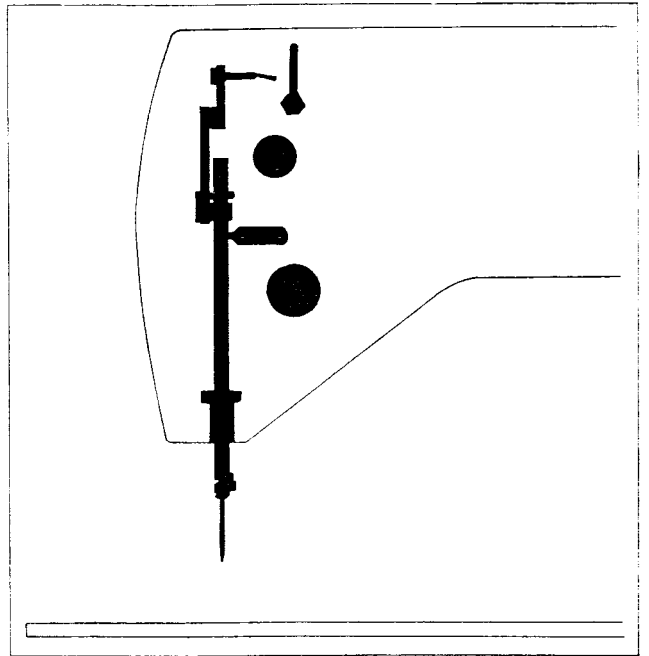
Parts List for 660A51 Machine

Ref. No.	Part No. For Ordering	Description	Amt. Req.
1	149063	Rotating Hook Bobbin Case complete Nos. 592(805), 2975, 40393 and 149061	
2	270010	Rotating Hook Bobbin	
3	200077(804)	Rotating Hook Bobbin Case Holder Position Bracket Screw	
4	272131	Rotating Hook Bobbin Case Holder Position Bracket	
5	174091	Rotating Hook 174090 with 143346, 270876 and three 1367(805)	
6	270879	Rotating Hook Oil Guard	
7	272229	Rotating Hook Shaft Bushing complete, Nos. 270044, 270164, 270880, 272228 276059, 276062, 350498(805) and two 201215(804)	
8	200346(803)	Rotating Hook Shaft Bushing Set Screw	
9	276517	Rotating Hook Driving Shaft Oil Lead Wire	
10	276047	Rotating Hook Driving Shaft Gear (internal teeth) with 200382(833) and 201220(833)	
11	201220(833)	Rotating Hook Driving Shaft Gear Position Screw	
12	200382(833)	Rotating Hook Driving Shaft Gear Set Screw	
13	276045	Rotating Hook Driving Shaft Bushing with 276046	
14	200346(803)	Rotating Hook Driving Shaft Bushing Set Screw	
15	276046	Rotating Hook Driving Shaft Bushing Oil Packing (wick)	
16	106429	Rotating Hook Driving Shaft	
17	272144	Rotating Hook Driving Shaft Ball Bearing	
18	114063(869)	Rotating Hook Driving Shaft Connection Belt Pulley Set Screw	2
19	106380	Rotating Hook Driving Shaft Connection Belt Pulley with two 114063(869)	
20	107563	Rotating Hook Bobbin Case 149063 with 143346	
21	107560	Rotating Hook 174091 with 149063	
22	40392	Rotating Hook Bobbin Case Latch	
23	125320	Rotating Hook Bobbin Case Latch Lever	
24	2974	Rotating Hook Bobbin Case Latch Lever Fulcrum Pin	
25	40393	Rotating Hook Bobbin Case Hinge, Nos. 2974, 40392 and 125320	
26	2975	Rotating Hook Bobbin Case Latch Spring	
27	149060	Rotating Hook Bobbin Case	
28	592(805)	Rotating Hook Bobbin Case Latch Stop Screw	
29	1380(805)	Rotating Hook Bobbin Case Tension Spring Screw	
30	591(806)	Rotating Hook Bobbin Case Tension Spring Regulating Screw	
31	40394	Rotating Hook Bobbin Case Tension Spring	
32	149061	Rotating Hook Bobbin Case 149060 with 591(806), 1380(805) and 40394	
33	143346	Rotating Hook Bobbin Case Holder	
34	174089	Rotating Hook with 143301, 270878 and two 1253(830)	
35	1253(830)	Rotating Hook Set Screw	2
36	1053(805)	Rotating Hook Thread Guard Screw	4
37	270874	Rotating Hook Thread Guard	
38	143351	Rotating Hook Wiper	
39	143301	Rotating Hook Oil Wick (felt)	
40	270878	Rotating Hook Oil Retaining Washer (felt)	
41	270876	Rotating Hook Section	
42	1367(805)	Rotating Hook Section Screw	3
43	174090	Rotating Hook 174089 with 143351, 270874(806) and four 1053(805)	
44	350498(805)	Rotating Hook Shaft Oil Regulating Screw	
45	270880	Rotating Hook Shaft Bushing Oil Packing (wick)	
46	272228	Rotating Hook Shaft Bushing	
47	81484	Rotating Hook Shaft Oil Filter Wick Holder	
48	202423	Rotating Hook Shaft Oil Filter Wick	
49	276062	Rotating Hook Shaft Oil Filter, complete. Nos. 202423 and 81484	
50	270044	Rotating Hook Shaft Thrust Washer	
51	276059	Rotating Hook Shaft	
52	270164	Rotating Hook Shaft End Bearing	
53	201215(804)	Rotating Hook Shaft End Bearing Screw	2
54	276518	Rotating Hook Driving Shaft Oil Lead Wick	



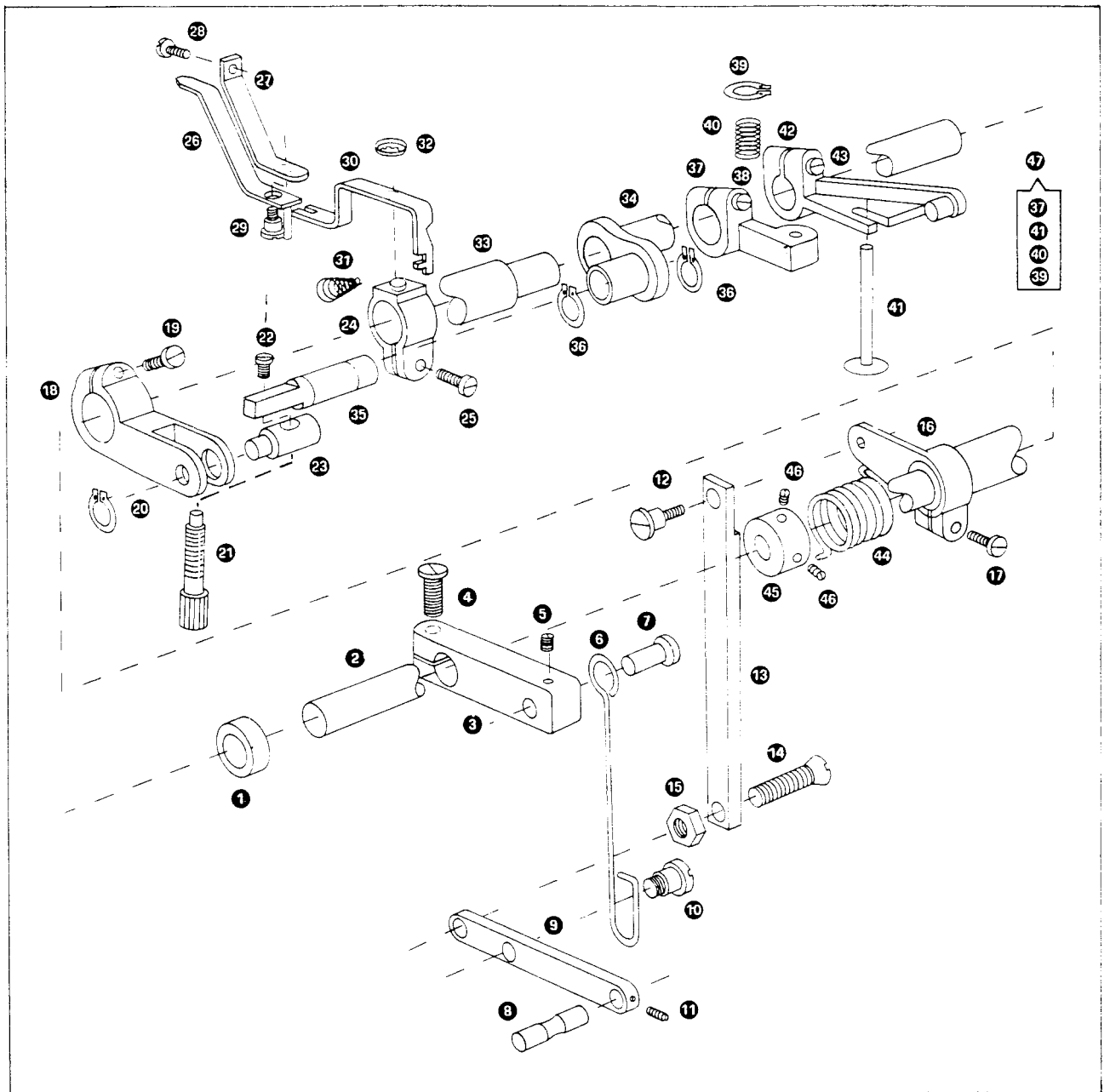
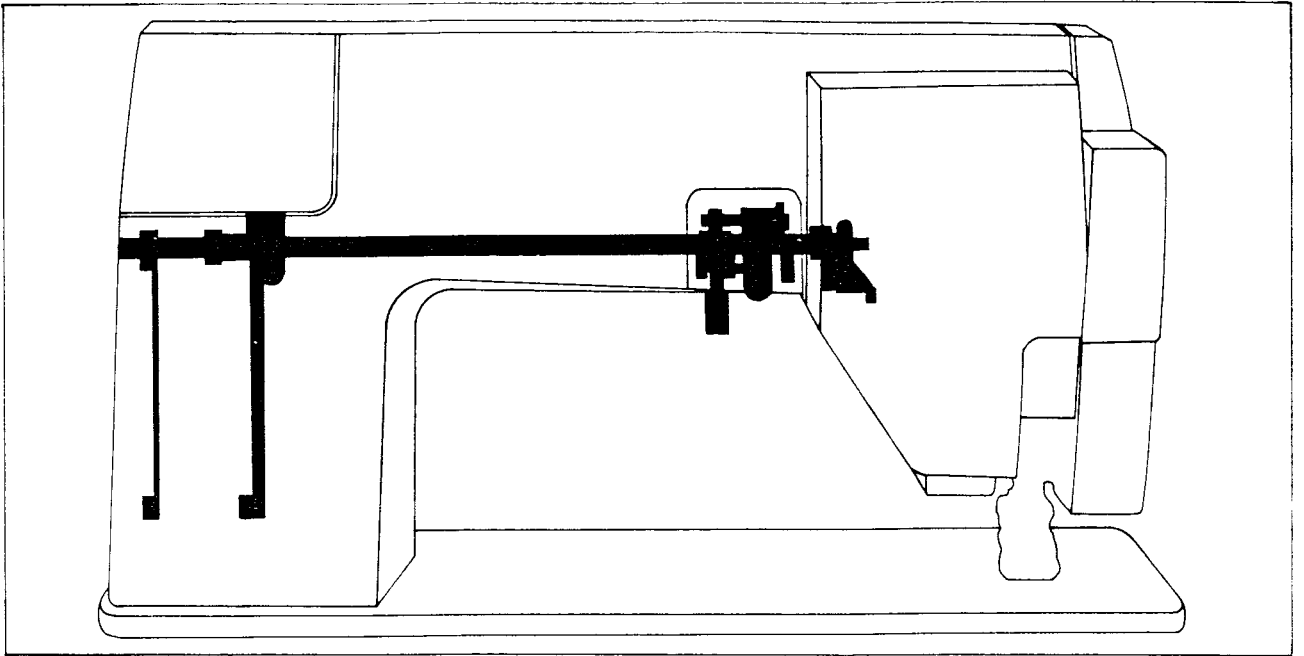
Parts List for 660A51 Machine

Ref. No.	Part No. For Ordering	Description	Amt. Req.
1	435(830)	Thread Take-up Lever Link Hinge Stud Set Screw	
2	1654	Thread Retainer Lock Nut	
3	16377	Thread Retainer	
4	52239	Arm Spool Pin and Thread Eyelet (packed with accessories)	
5	106357	Thread Take-up Lever Link Hinge Stud	
6	106348	Thread Take-up Mechanism	
<p>Note: The major components of the Thread Take-up Mechanism are selectively mated. Therefore only a complete replacement mechanism will be supplied from Clydebank Factory, should any of the individual major components be damaged. However, the Wearing Plate, No. 106349 Nylon Washer, No. 106372, Circlip No. 239241, Cap Screw, No. 140231 and Pinch Screw, No. 140706 can be supplied and fitted as individual items without disturbing the selective mating of the major components.</p>			
7	106397	Needle Bar Oiling Felt (upper)	
8	106325	Needle Bar Bushing (upper)	
9	270058	Needle Bar Oiling Felt (lower)	
10	106424	Needle Bar Bushing (lower)	
11	98923	Needle Bar Bushing (lower) Thread Eyelet	2
12	107943	Needle Bar with 141087(869)	
13	141087(869)	Needle Set Screw	
14	140036(830)	Needle Bar Thread Guide Screw	
15	107819	Needle Bar Thread Guide	
16	107818	Needle Bar 107943 with 140036(830) and 107819	
17	Cat. 1361	Needle, size 14	
18	106346	Thread Eyelet and Thread Guard (front of arm)	
19	51384(809)	Thread Eyelet and Thread Guard (front of arm) Screw	
20	32574	Tension Releasing Pin	
21	50305(803)	Tension Stud Set Screw	
22	52083	Thread Take-up Spring Regulator with 50305(803)	
23	52394	Thread Take-up Spring	
24	140873(803)	Tension Stud	
25	2102	Tension Disc	2
26	147151	Tension Releasing Disc	
27	147152	Tension Spring	
28	106373	Tension Regulating Cap	
29	106374	Tension complete, Nos. 32574, 52083, 52394, 106373, 140873(803), 147151, 147152 and two 2102	
30	448(803)	Thread Take-up Spring Regulator Set Screw	
31	140610(809)	Thread Take-up Crank Clamping Screw Hole Plug Screw	



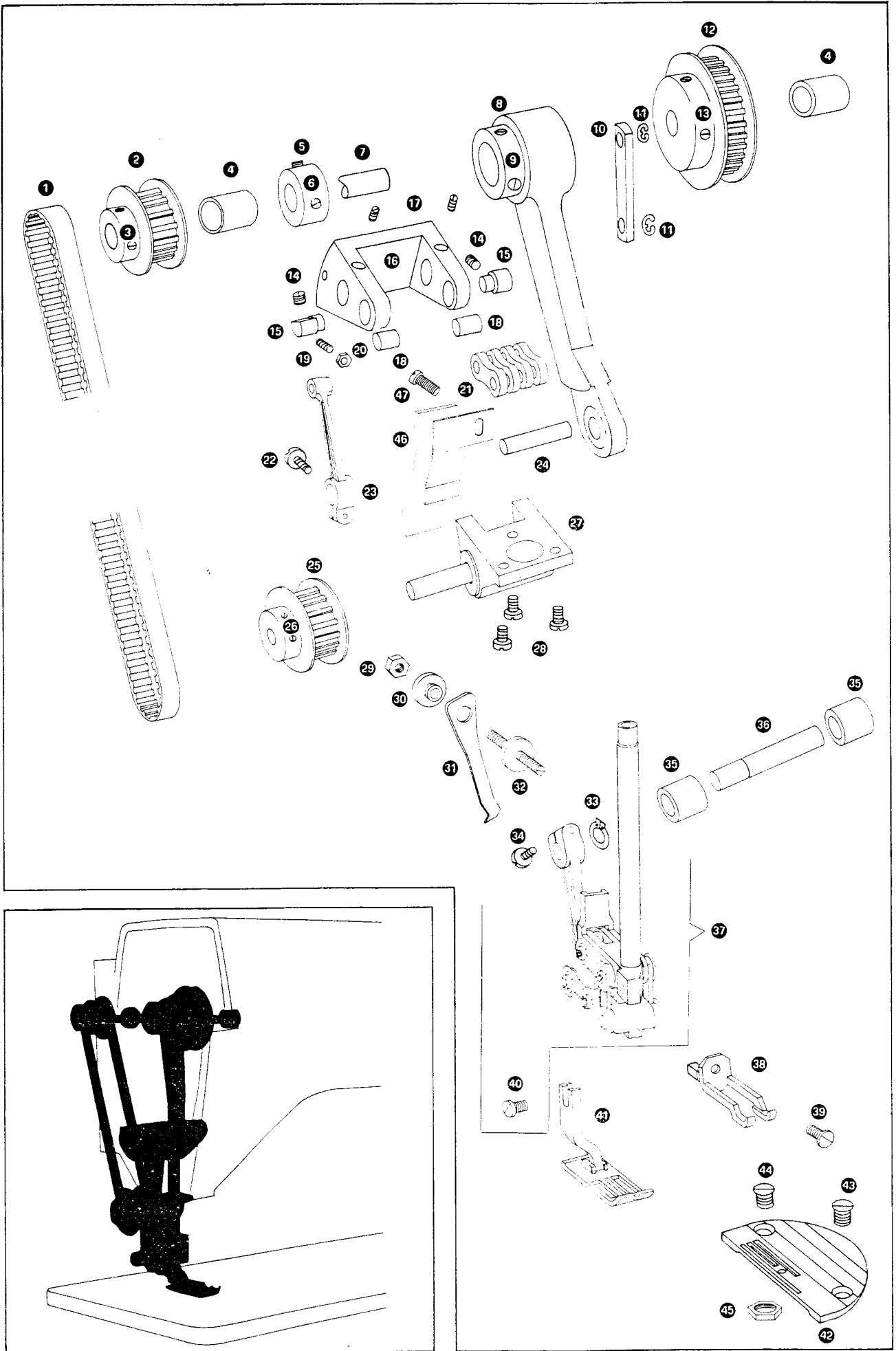
Parts List for 660A51 Machine

Ref. No.	Part No. For Ordering	Description	Amt. Req.
1	107675	Upper Feed Reversing Shaft (inner) Bushing	
2	107662	Upper Feed Reversing Shaft (inner)	
3	107729	Foot Operated Upper Feed Adjusting Crank with 50429(830) and 141207(830)	
4	141207(830)	Foot Operated Upper Feed Adjusting Crank Clamping Screw	
5	50429(830)	Foot Operated Upper Feed Adjusting Crank Hinge Stud Set Screw	
6	107718	Foot Operated Upper Feed Adjusting Lever Connection	
7	16494	Foot Operated Upper Feed Adjusting Crank Hinge Stud	
8	276159	Foot Operated Upper Feed Adjusting Lever Hinge Pin	
9	107717	Foot Operated Upper Feed Adjusting Lever	
10	201107	Foot Operated Upper Feed Adjusting Lever Hinge Stud	
11	350477(803)	Foot Operated Upper Feed Adjusting Lever Hinge Pin Set Screw	
12	201107	Upper Feed Regulator and Reversing Lever Connection Hinge Stud (upper)	
13	106318	Upper Feed Regulator and Reversing Lever Connection	
14	350509(803)	Upper Feed Regulator and Reversing Lever Connection Hinge Screw (lower)	
15	210520(813)	Upper Feed Regulator and Reversing Lever Connection Hinge Screw (lower) Nut	
16	107668	Upper Feed Reversing Shaft (outer) Crank (rear) with 966(803)	
17	966(803)	Upper Feed Reversing Shaft (outer) Crank (rear) Clamping Screw	
18	107665	Upper Feed Reversing Shaft (outer) Adjusting Crank with 966(803)	
19	966(803)	Upper Feed Reversing Shaft (outer) Adjusting Crank Clamping Screw	
20	107779	Upper Feed Reversing Shaft (outer) Adjusting Crank Pivot Pin Retaining Circlip	
21	107672	Upper Feed Adjusting Crank Screw Stud	
22	810(830)	Upper Feed Adjusting Crank Screw Stud Retaining Screw	
23	107673	Upper Feed Reversing Shaft (outer) Adjusting Crank Pivot Pin	
24	107772	Upper Feed Indicator Clamp	
25	898(803)	Upper Feed Indicator Clamp Screw	
26	107733	Upper Feed Indicator	
27	107737	Upper Feed Indicator Support Bracket	
28	51369(830)	Upper Feed Indicator Support Bracket Screw	
29	107	Upper Feed Indicator Hinge Screw	
30	107736	Upper Feed Indicator Movable Arm	
31	108059	Upper Feed Indicator Spring	
32	108111	Upper Feed Indicator Clamp Pivot Pin Fastener	
33	107660	Upper Feed Reversing Shaft (outer)	
34	107663	Upper Feed Adjusting Crank	
35	107686	Upper Feed Adjusting Crank Pivot Pin	
36	107777	Upper Feed Adjusting Crank Pivot Pin Circlip	2
37	107666	Upper Feed Reversing Shaft (outer) Crank (front) with 966(803)	
38	966(803)	Upper Feed Reversing Shaft (outer) Crank (front) Clamping Screw	
39	165472	Upper Feed Reversing Shaft (outer) Crank (front) Spring Retaining Circlip	
40	107670	Upper Feed Reversing Shaft (outer) Crank (front) Spring	
41	167671	Upper Feed Reversing Shaft (outer) Crank (front) Spring Pin	
42	107667	Upper Feed Reversing Crank with 966(803)	
43	966(803)	Upper Feed Reversing Crank Clamping Screw	
44	108082	Upper Feed Reversing Shaft (inner) Spring	
45	108083	Upper Feed Reversing Shaft (inner) Spring Collar with two 183(806)	
46	183(806)	Upper Feed Reversing Shaft (inner) Spring Collar Set Screws	2
47	107762	Upper Feed Reversing Shaft (outer) Crank (front) with 107670, 107671 and 165472	



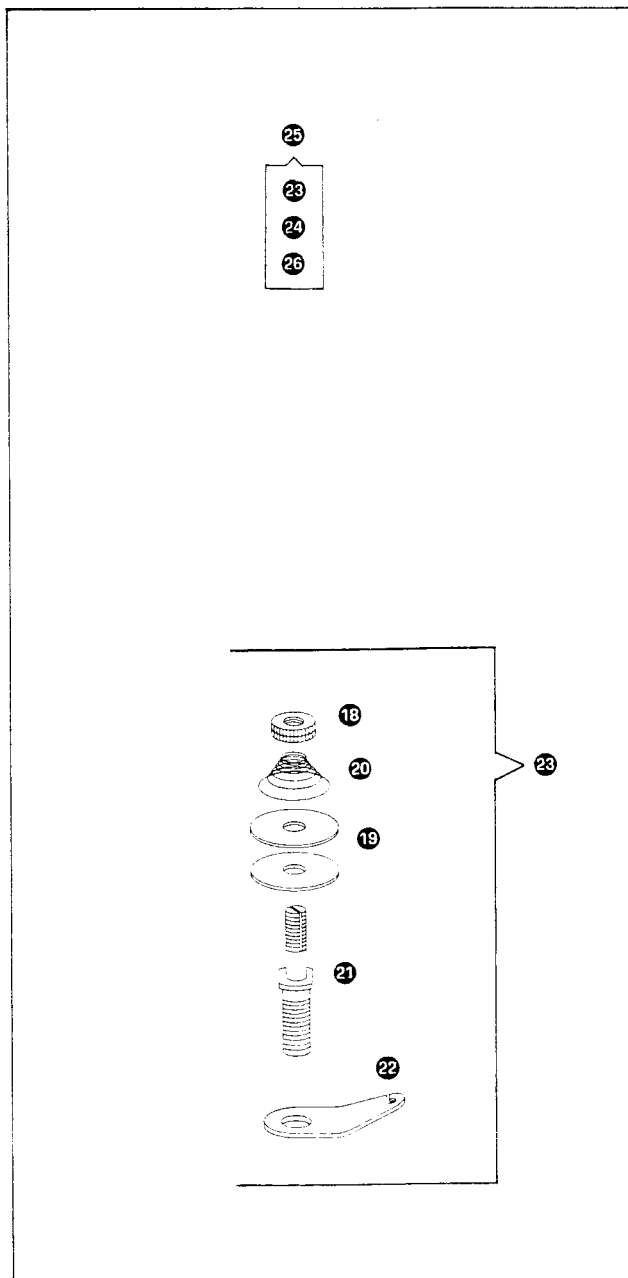
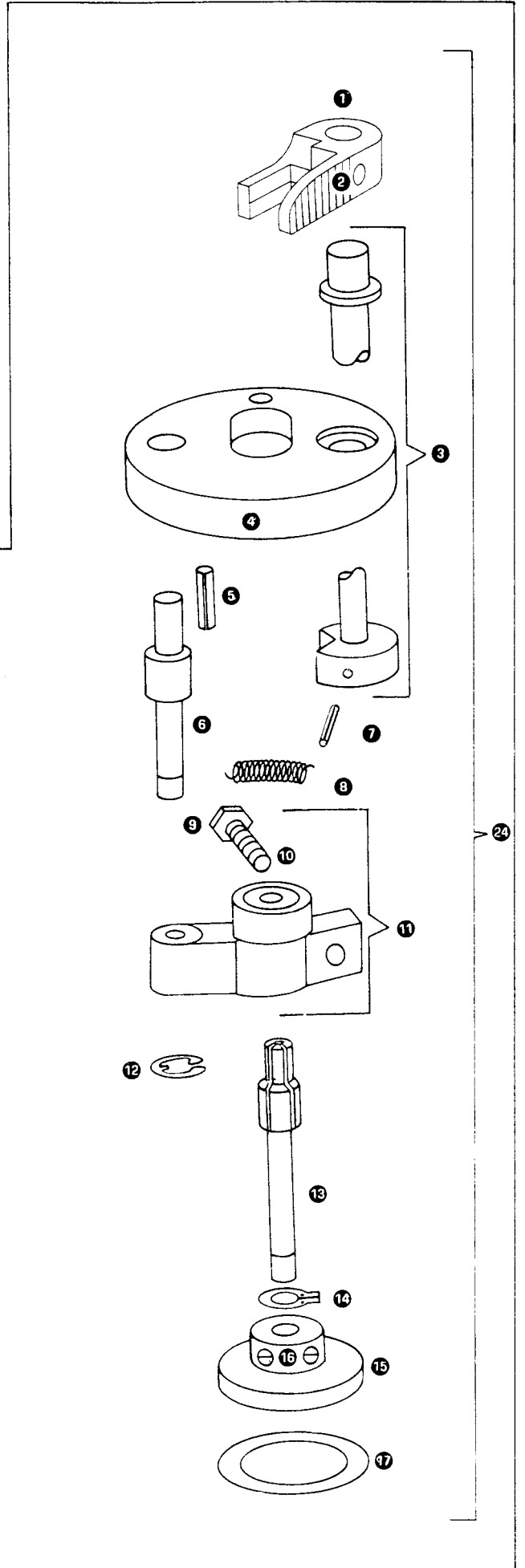
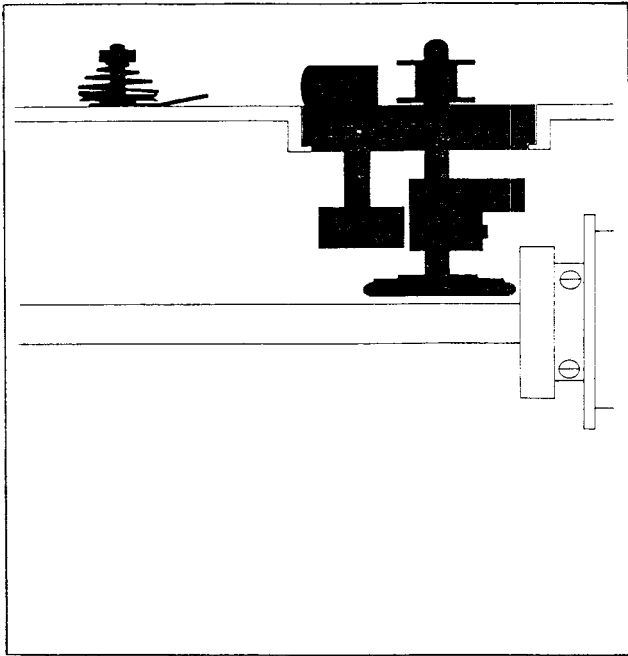
Parts List for 660A51 Machine

Ref. No.	Part No. For Ordering	Description	Amt. Req.
1	107720	Vibrating Presser Foot Lifting Shaft (eccentric) Connection Belt	
2	107770	Upper Feed Shaft Belt Pulley (small) with two 114126(869)	
3	114126(869)	Upper Feed Shaft Belt Pulley (small) Set Screw	
4	107679	Upper Feed Shaft Bushing (short)	2
5	107760	Upper Feed Shaft Collar with two 624(830)	
6	624(830)	Upper Feed Shaft Collar Set Screw	2
7	107678	Upper Feed Shaft	
8	107681	Upper Feed Reversing Mechanism Connecting Link	
9	1259(833)	Upper Feed Driving Eccentric Set Screw	2
10	107674	Upper Feed Reversing Mechanism Adjusting Link	
11	107716	Upper Feed Reversing Mechanism Adjusting Link Retaining Circlip	
12	107677	Upper Feed Shaft Connection Belt Pulley (large) with two 114125(869)	
13	114125(869)	Upper Feed Shaft Connection Belt Pulley (large) Screw	
14	449(830)	Upper Feed Reversing Mechanism Bracket Pivot Pin Set Screw	
15	107682	Upper Feed Reversing Mechanism Bracket Pivot Pin	2
16	107669	Upper Feed Reversing Mechanism Bracket with two 449(830)	
17	449(830)	Upper Feed Reversing Mechanism Link Pin (short) (left and right) Set Screw	2
18	107706	Upper Feed Reversing Mechanism Link Pin (short)	3
19	440(830)	Upper Feed Reversing Mechanism Bracket Stop Screw	
20	1700(803)	Upper Feed Reversing Mechanism Bracket Stop Screw Nut	
21	107705	Upper Feed Reversing Mechanism Link	4
		Note: 107705 can be supplied only as, a matched inner pair or a matched outer pair.	
22	898(803)	Upper Feed Reversing Mechanism Connecting Lever Clamping Screw	
23	107683	Upper Feed Reversing Mechanism Connecting Lever with 898(803) and 107706	
24	107712	Upper Feed Reversing Mechanism Link Pin (long)	
25	107699	Vibrating Presser Foot Lifting Shaft (eccentric) Connection Belt Pulley with two 114126(869)	
26	114126(869)	Vibrating Presser Foot Lifting Shaft (eccentric) Connection Belt Pulley Set Screw	2
27	107696	Vibrating Presser Foot Lifting Shaft (eccentric) Bracket	
28	185(803)	Vibrating Presser Foot Lifting Shaft (eccentric) Bracket Screw	3
29	1700	Vibrating Presser Foot Lifting Shaft (eccentric) Bracket Spring Screw Nut	
30	107730	Vibrating Presser Foot Lifting Shaft (eccentric) Bracket Spring Screw Washer	
31	107701	Vibrating Presser Foot Lifting Shaft (eccentric) Bracket Spring	
32	114124	Vibrating Presser Foot Lifting Shaft (eccentric) Bracket Spring Screw	
33	239241	Vibrating Presser Foot Connecting Lever Shaft Circlip	
34	350606(869)	Vibrating Presser Foot Connecting Lever Clamping Screw	
35	107771	Vibrating Presser Foot Connecting Lever Shaft Bushing	2
36	107685	Vibrating Presser Foot Connecting Lever Shaft	
37	107774	Vibrating Presser Foot Mechanism Assembly with 190(809)	
38	107710	Vibrating Presser Foot	
39	190(809)	Vibrating Presser Foot Screw	
40	190(809)	Presser Foot Screw	
41	107759	Presser Foot (hinged) complete	
42	107723	Throat Plate	
43	691(806)	Throat Plate Screw (front)	
44	50018	Throat Plate Screw (rear)	
45	1698	Throat Plate Screw (rear) Nut	
46	108106	Vibrating Presser Foot Lifting Shaft (eccentric) Oiling Felt	
47	50117	Vibrating Presser Foot Lifting Shaft (eccentric) Oiling Felt Support Screw	



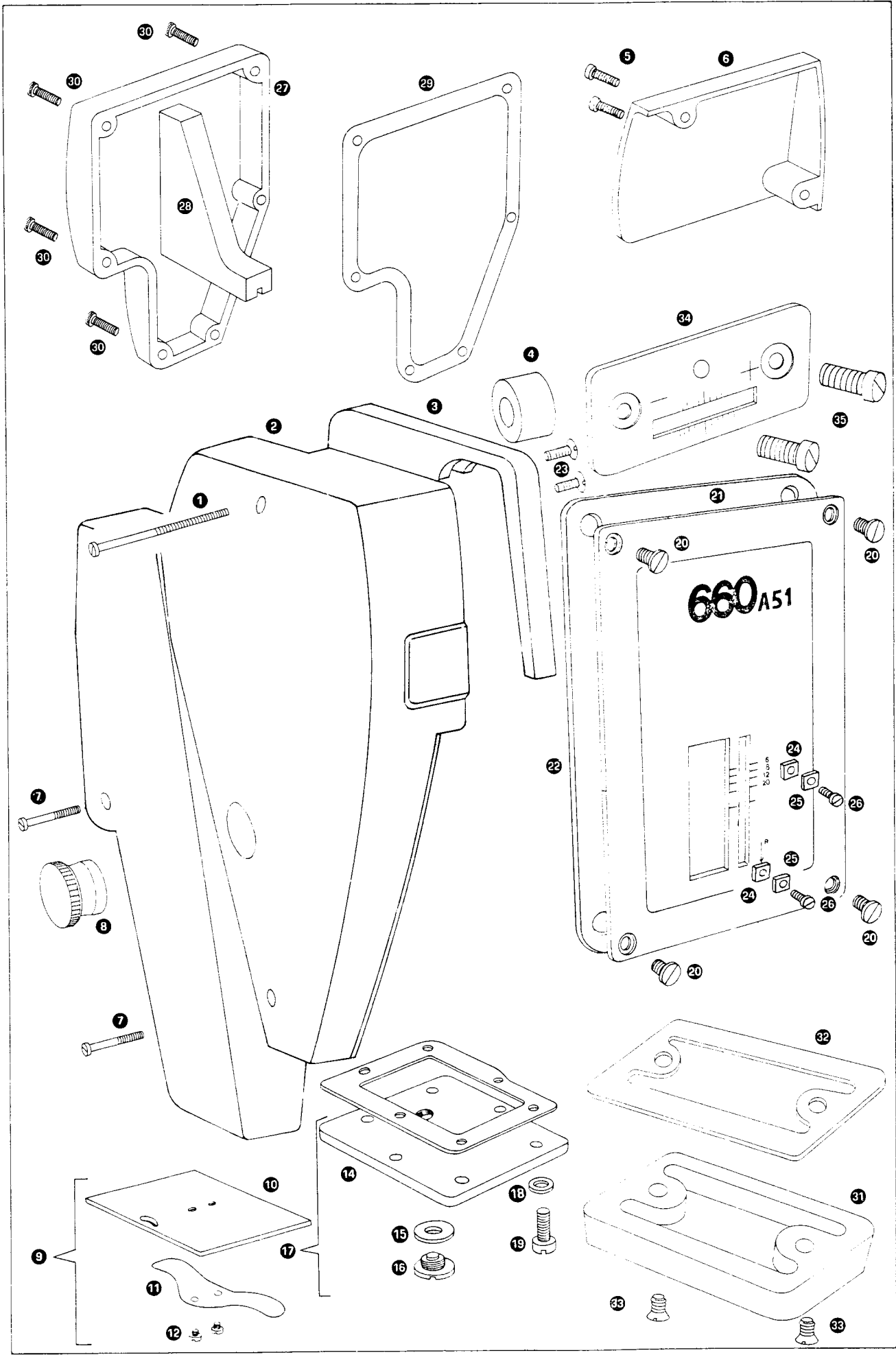
Parts List for 660A51 Machine

Ref. No.	Part No. For Ordering	Description	Amt. Req.
1	87090	Bobbin Winder Spindle Engaging Lever with 198(809)	
2	198(809)	Bobbin Winder Spindle Engaging Lever Set Screw	
3	107982	Bobbin Winder Spindle Engaging Lever Stud with Cam	
4	107812(728)	Bobbin Winder Base	
5	101646	Bobbin Winder Spindle Positioning Bracket Tension Spring Stud	
6	107804	Bobbin Winder Spindle Positioning Bracket Stud	
7	21069	Bobbin Winder Spindle Engaging Lever Stud Cam Pin (spiral)	
8	107941	Bobbin Winder Spindle Positioning Bracket Tension Spring	
9	1747	Bobbin Winder Spindle Positioning Bracket Adjusting Screw Nut	
10	109902	Bobbin Winder Spindle Positioning Bracket Adjusting Screw	
11	107813	Bobbin Winder Spindle Positioning Bracket with 1747 and 109902	
12	107716	Bobbin Winder Spindle Positioning Bracket Stud Retaining Circlip	
13	107805	Bobbin Winder Spindle	
14	107716	Bobbin Winder Spindle Circlip	
15	21056	Bobbin Winder Pulley with two 50429(805)	
16	50429(805)	Bobbin Winder Pulley Set Screw	2
17	21057	Bobbin Winder Pulley Friction Ring	
18	113074(809)	Bobbin Winder Thread Tension Stud Thumb Nut	
19	2455	Bobbin Winder Thread Tension Disc	2
20	101770	Bobbin Winder Thread Tension Spring	
21	90092(810)	Bobbin Winder Thread Tension Stud	
22	81439	Bobbin Winder Thread Tension Guide	
23	90093	Bobbin Winder Thread Tension, complete	
24	107816	Bobbin Winder Assembly	
25	107817	Bobbin Winder with Thread Tension, complete	
26	447(830)	Bobbin Winder Set Screw	



Parts List for 660A51 Machine

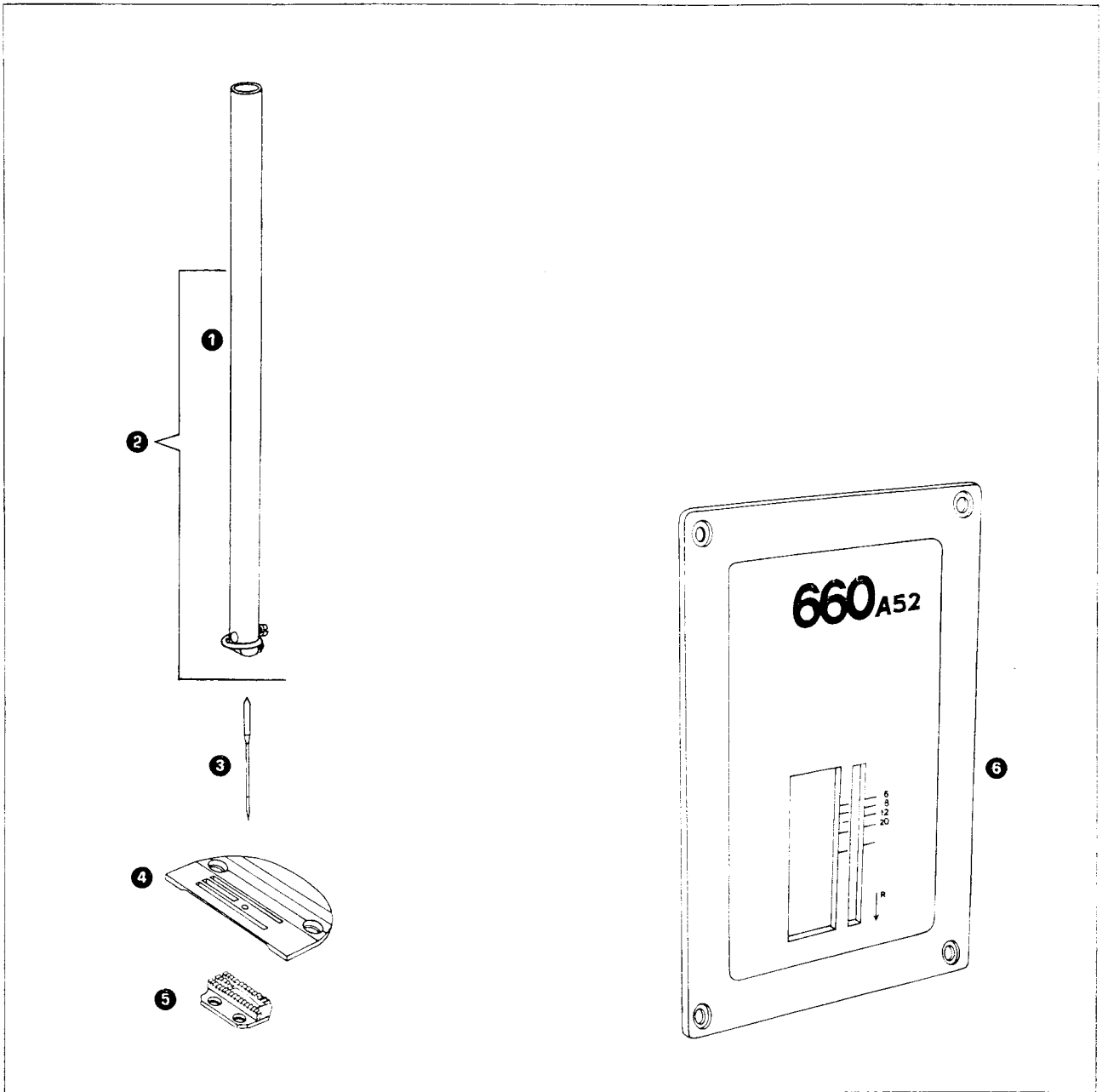
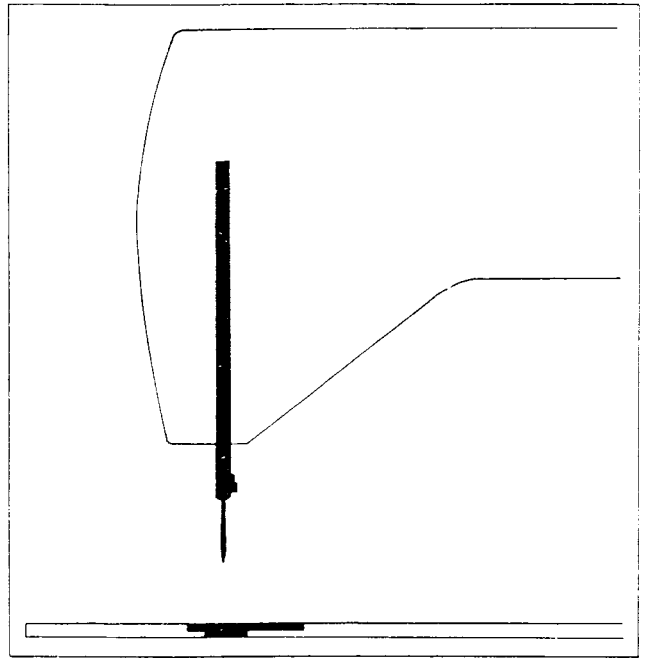
Ref. No.	Part No. For Ordering	Description	Amt. Req.
1	140906(809)	Face Plate Screw (upper)	
2	107755	Face Plate with 106353 and two 208(805)	
3	106353	Thread Take-up Lever Guard	
4	106354	Thread Take-up Lever Guard Distance Piece (nylon)	
5	127(809)	Arm Cover Screw	2
6	107754	Arm Cover	
7	131(809)	Face Plate Screw (lower)	2
8	149111	Face Plate Plug	
9	106527-001	Bed Slide 106526-001 with 189625 and two 1208(809)	
10	106526-001	Bed Slide	
11	189625	Bed Slide Spring	
12	1208(809)	Bed Slide Spring Screw	2
13	276491	Rotating Hook Oil Reservoir Cover Gasket	
14	276246	Rotating Hook Oil Reservoir Cover	
15	276245	Rotating Hook Oil Reservoir Drain Plug Gasket	
16	276244	Rotating Hook Oil Reservoir Drain Plug	
17	276247	Rotating Hook Oil Reservoir Cover complete, Nos. 276244 to 276246	
18	272154	Rotating Hook Oil Reservoir Cover Washer	6
19	200041(819)	Rotating Hook Oil Reservoir Cover Screw	6
20	1094(809)	Stitch Indicator Cover Plate Screw	4
21	107756	Stitch Indicator Cover Plate	
22	107506	Stitch Indicator Cover Plate Gasket	
23	208(805)	Thread Take-up Lever Guard Securing Screw	2
24	16373	Stitch Indicator Stop Plate (adjustable, back)	2
25	16374	Stitch Indicator Stop Plate (adjustable, front)	2
26	1492(809)	Stitch Indicator Stop Plate (adjustable, back and front) Clamping Screw	2
27	107937	Upper Feed Reversing Mechanism Cover with 107795	
28	107795	Upper Feed Reversing Mechanism Oil Pad	
29	107787	Upper Feed Reversing Mechanism Cover Gasket	
30	350754	Upper Feed Reversing Mechanism Cover Screw	6
31	107786	Upper Feed Reversing Mechanism Cover (bottom)	
32	107788	Upper Feed Reversing Mechanism Cover (bottom) Gasket	
33	350754	Upper Feed Reversing Mechanism Cover (bottom) Screw	2
34	107735	Upper Feed Indicator Plate	
35	691(806)	Upper Feed Indicator Plate Screw	2
The following parts are not illustrated:			
—	106334	Needle Bar Crank Roll Pin	
—	107711	Arm	
—	107753	Arm and Bed	
—	204235	Arm Position Pin	2
—	200004(805)	Arm Screw	4
—	202005	Arm Screw Washer	4
—	108056	Bed	



Parts List for 660A52 Machine

The following parts differ from those used on 660A51 Machine.
All other parts are the same.

Ref. No.	Part No. For Ordering	Description	Amt. Req.
1	107995	Needle Bar with 141087(869)	
2	107996	Needle Bar 107995 with 140036(830) and 107819	
3	Cat. 1955	Needle, size 19	
4	107725	Throat Plate	
5	107724	Feed Dog	
6	107765	Stitch Indicator Cover Plate	



Accessories for Class 660A51 and 660A52 Machines

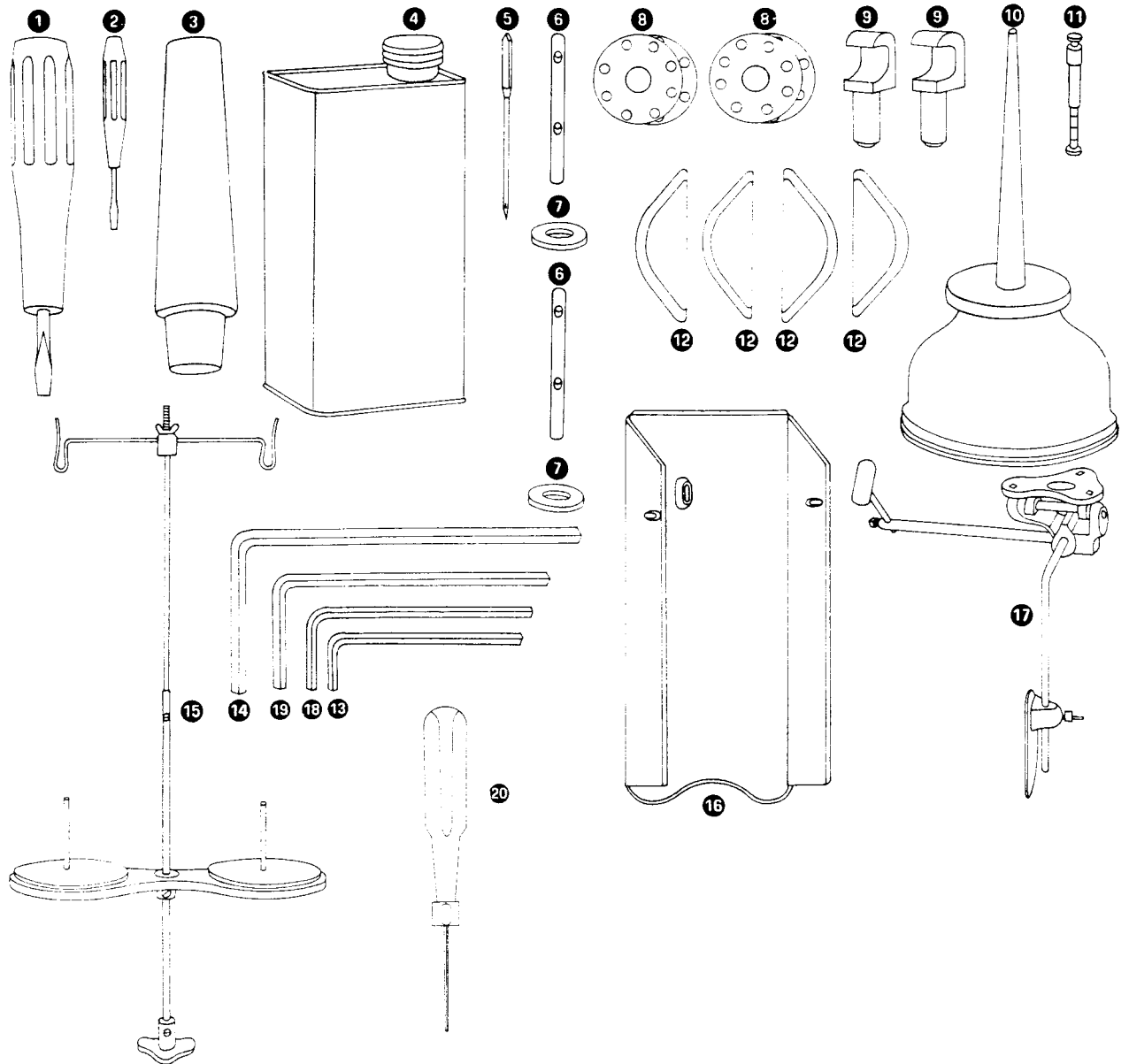
Supplied with machine

Ref. No.	Part No. For Ordering	Description	Amt. Req.
1	161294	Screwdriver	
2	161295	Screwdriver	
3	41400	Machine Rest Pin (wood)	
4	86698-001	Tin of Oil ($\frac{1}{2}$ Pint) Type 'A'	
5	Cat. 1361	Needles, size 14 for 660A51 Machine	6
	Cat. 1955	Needles, size 19, for 660A52 Machine	6
6	52239	Arm Spool Pin and Thread Eyelet	2
7	8879	Arm Spool Pin and Thread Eyelet Washer	2
8	270010	Rotating Hook Bobbin	5
9	12361-001	Machine Hinge Connection	2
10	120342	Oiler	
11	270155	Rotating Hook Oil Reservoir Oil Gauge	
12	151559	Machine Rest Pad	4
13	293-982	Key for 1/16 inch, 1.58mm Socket Screws	
14	144465	Key for 1/8 inch, 3.17mm Socket Screws	
15	225258	Thread Unwinder	
16	228479	Drip Pan	
17	228710	Knee Lifter	
18	820193(003)	Wrench (Allen key 5/64 inch)	
19	820193(004)	Wrench (Allen key 3/32 inch)	
20	108115	Wrench (Hexagonal driver)	

Available at extra charge

21	27739	Thread Unwinder Thread Cone (wood)	
22	108122	Belt Guard	
—	228915	Strip Reel (6 inches, 152.4mm diameter) (not illustrated)	
23	107900	Drip Pan and Drain Jar (available in place of 228479)	
24	107173	Setting Tool for setting Thread Take-up Lever Link Bushing	

Supplied with machine



Available at extra charge

