

SINGER
44-91

Form 20738
(454)
Printed in U. S. A.

SINGER**

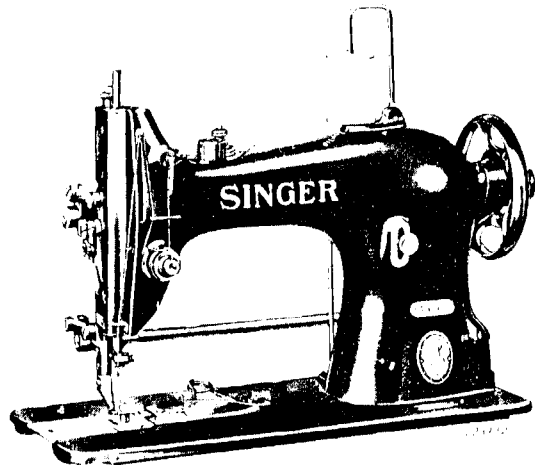
44-91



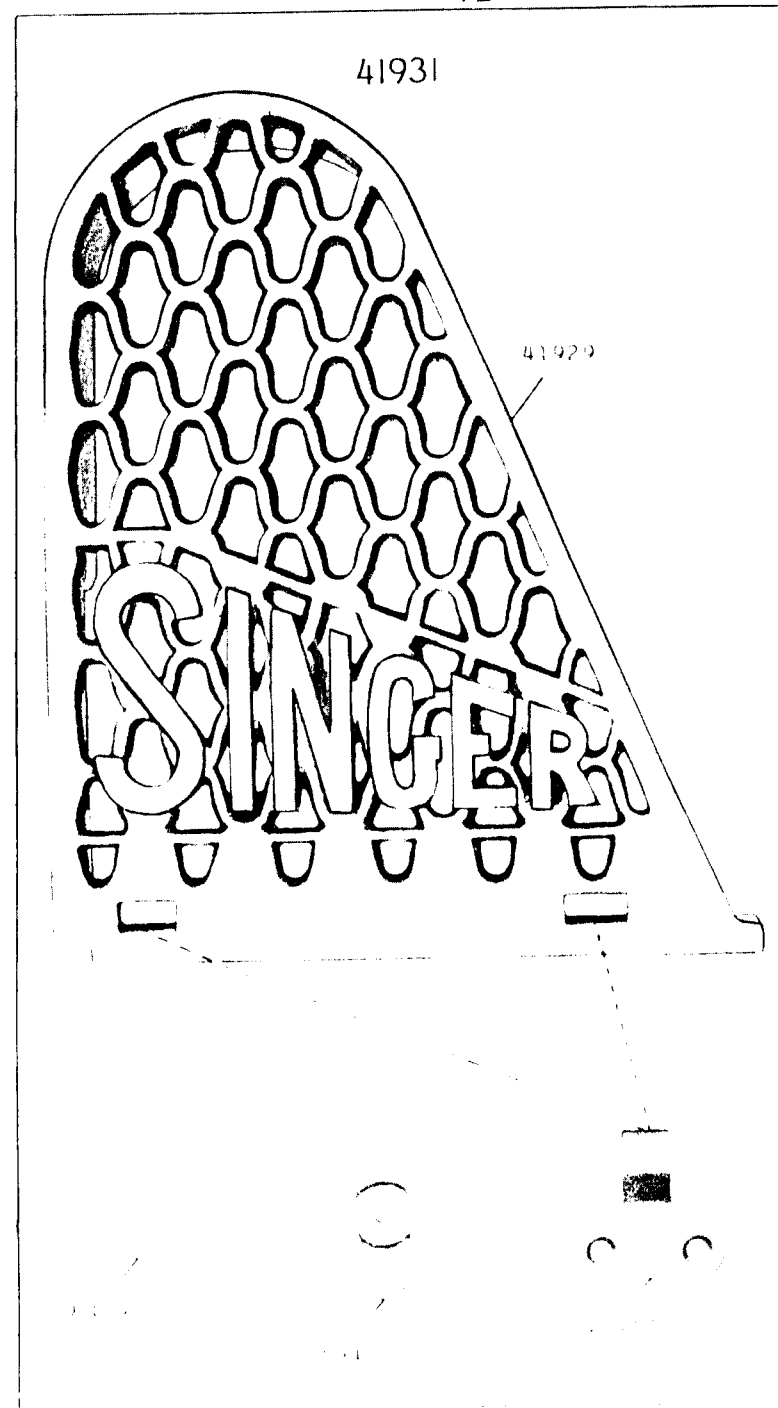
THE SINGER MANUFACTURING COMPANY

**A Trade Mark of THE SINGER MANUFACTURING COMPANY

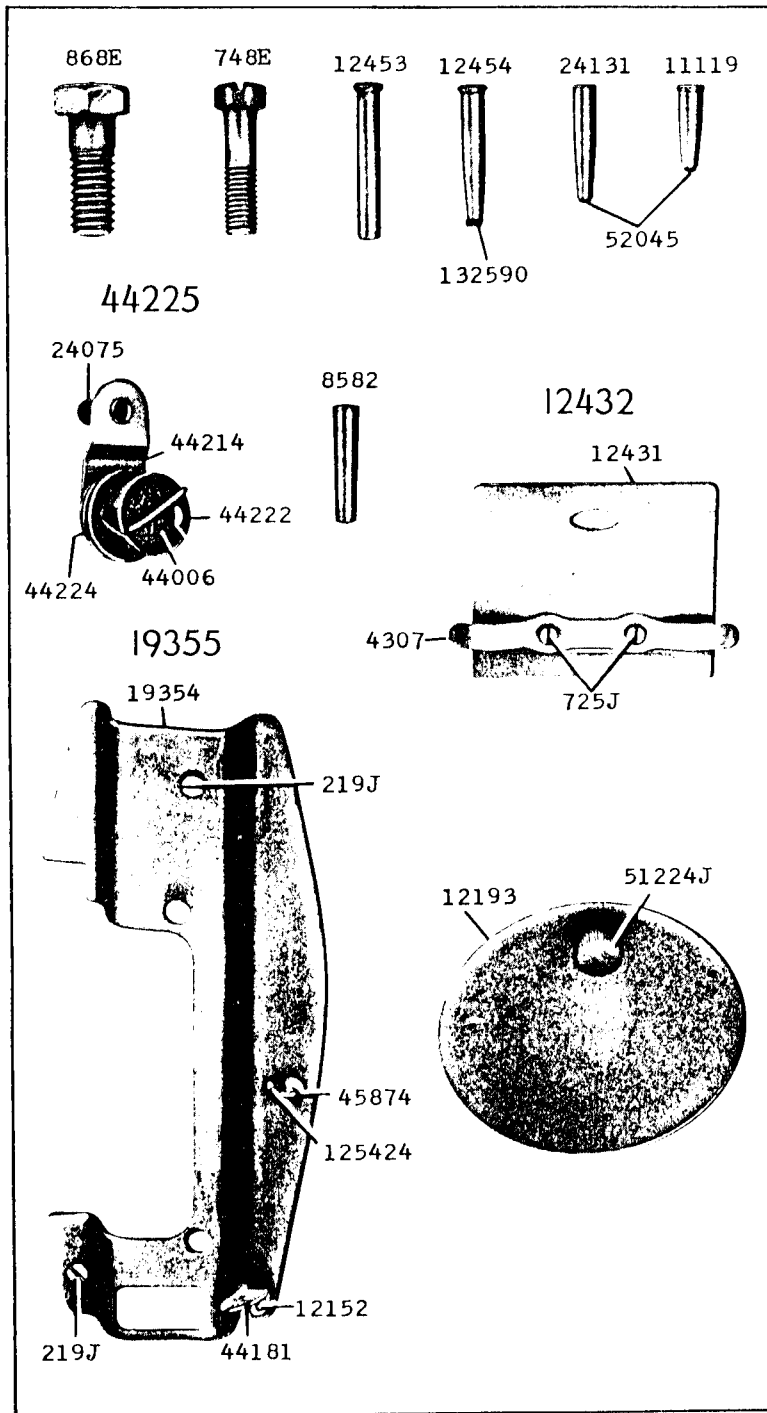
22343 - 1/2



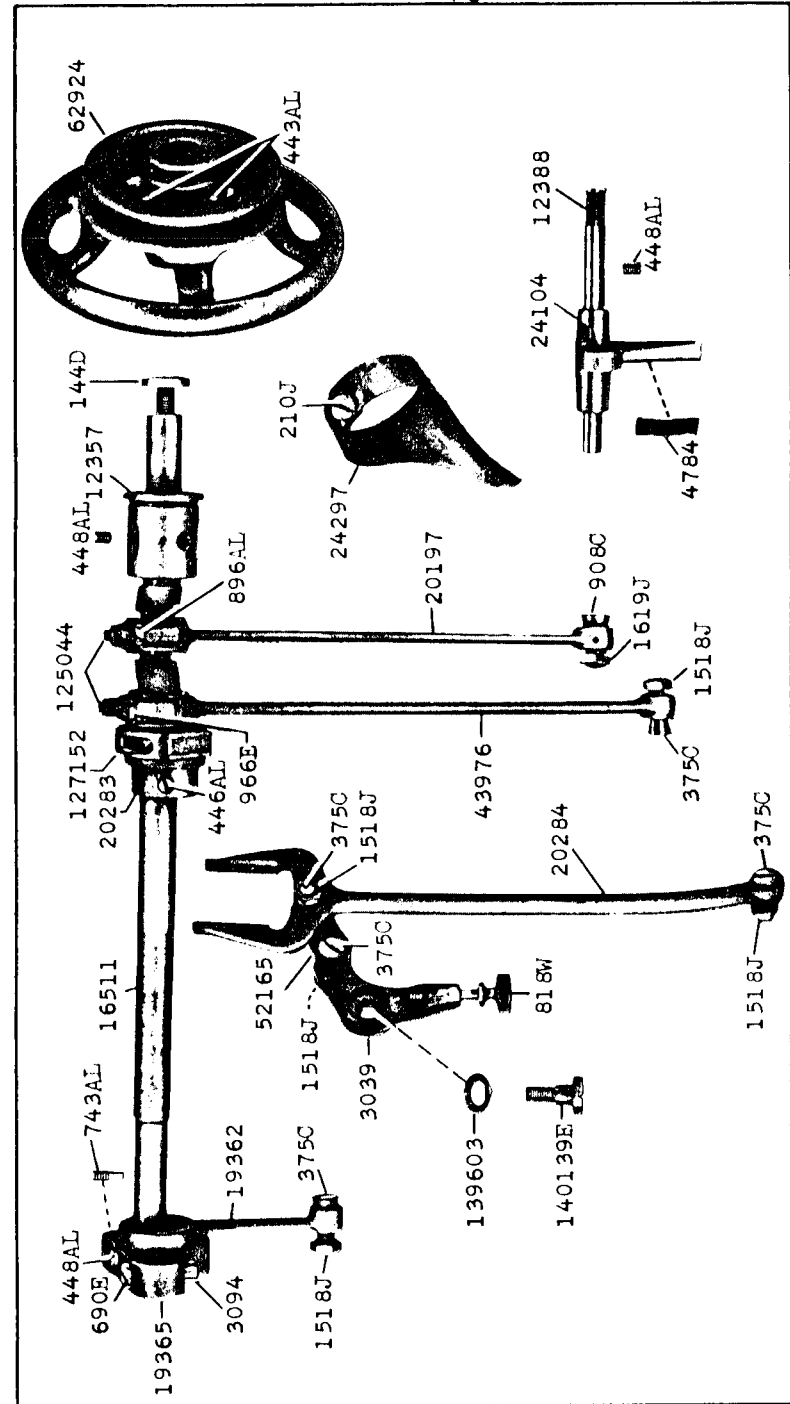
Copyright, U. S. A., 1941, 1942 and 1954
by The Singer Manufacturing Company
All Rights Reserved for all Countries



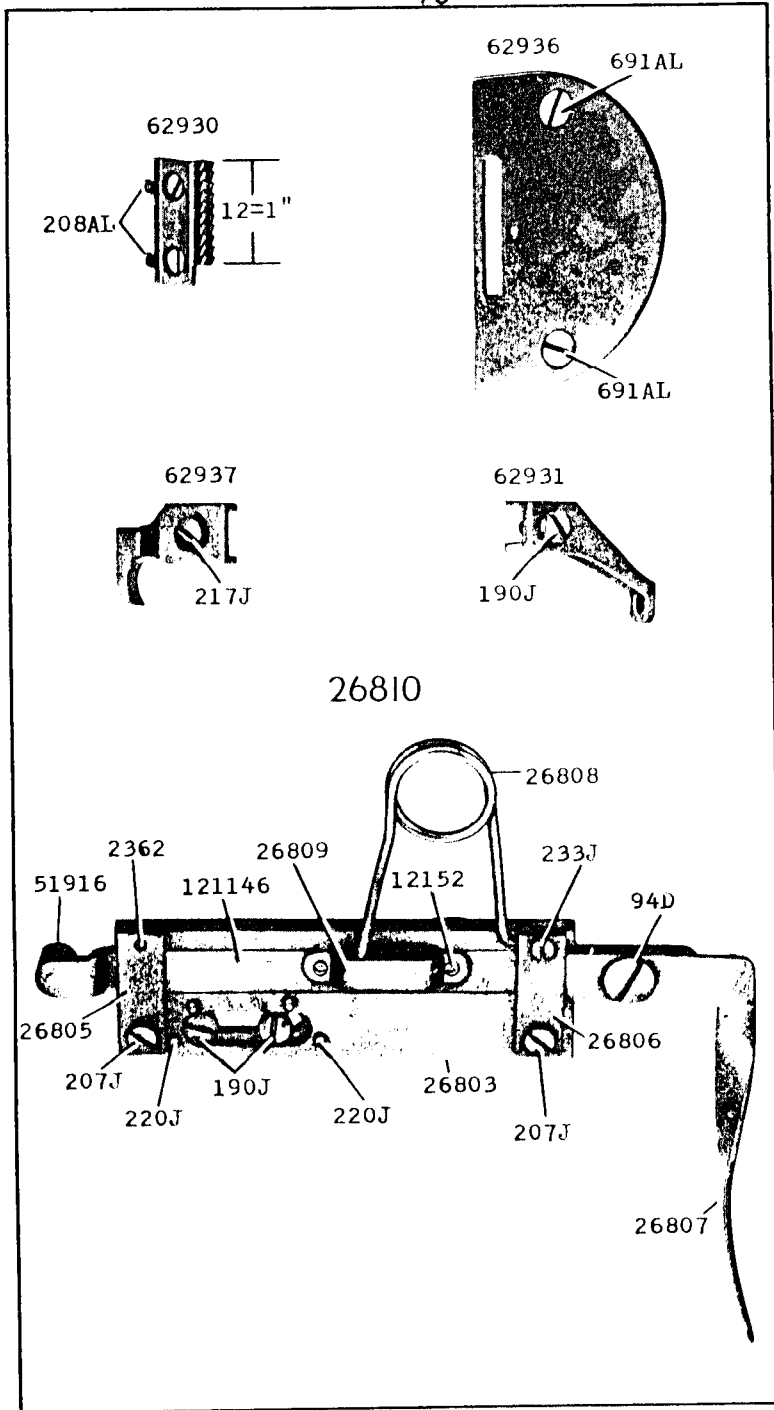
22480-1/2



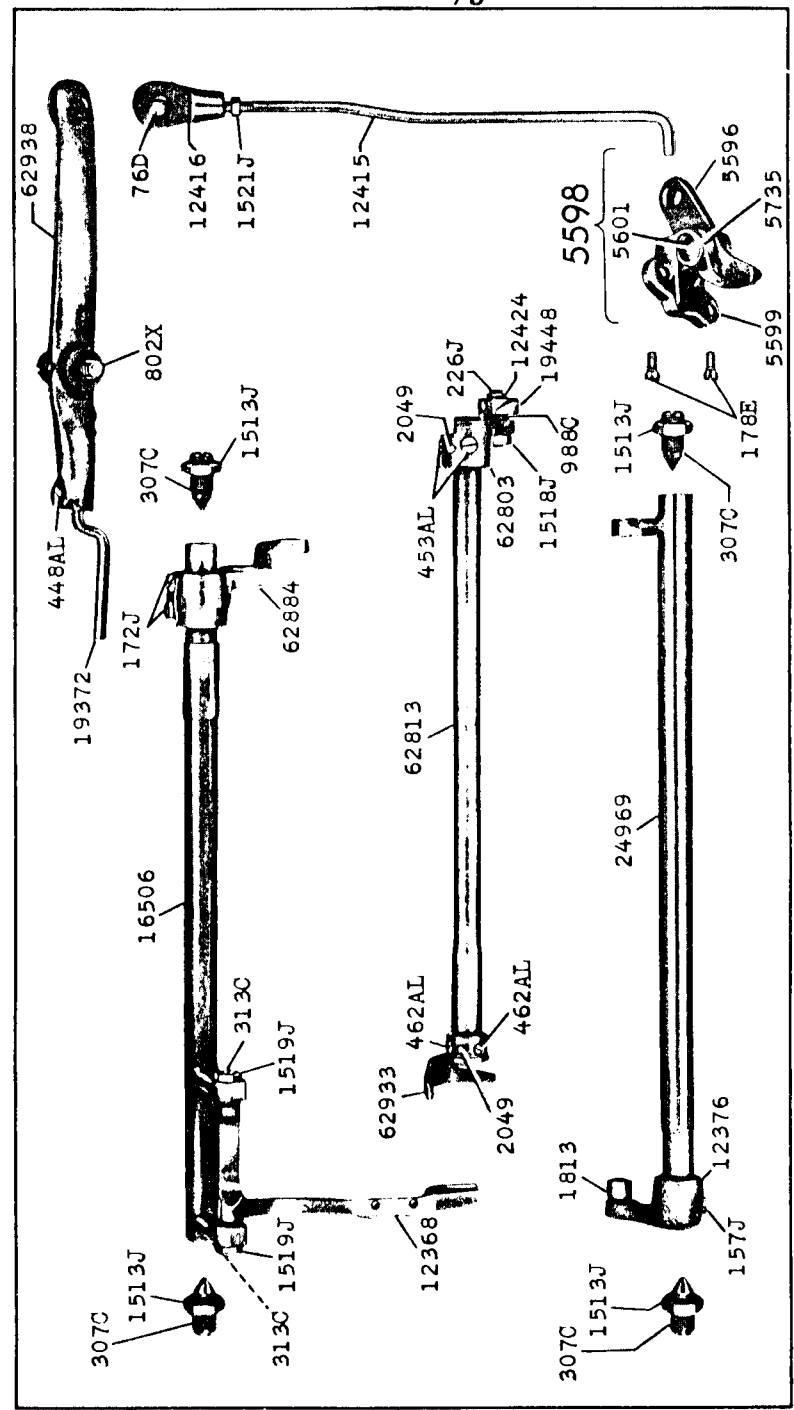
22481-1/3



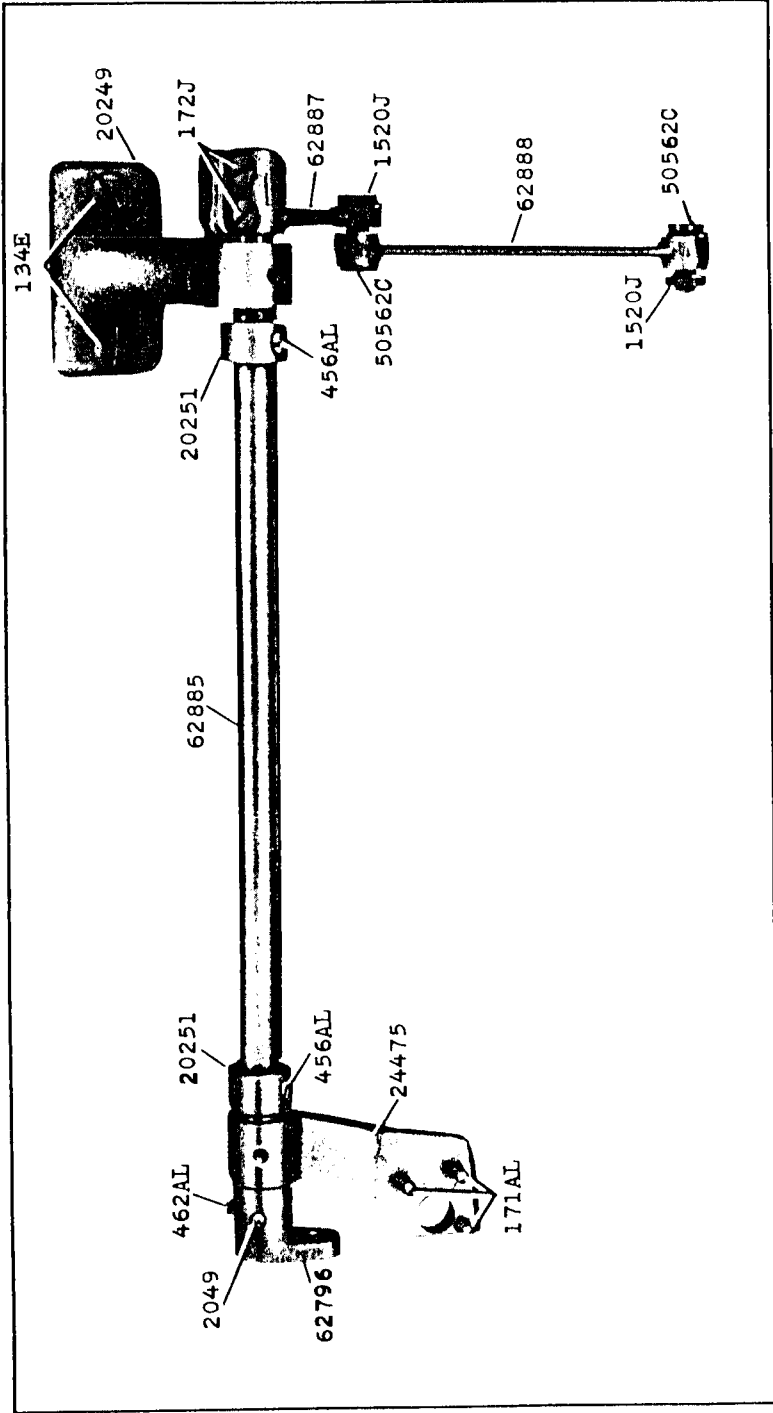
22482-2/3



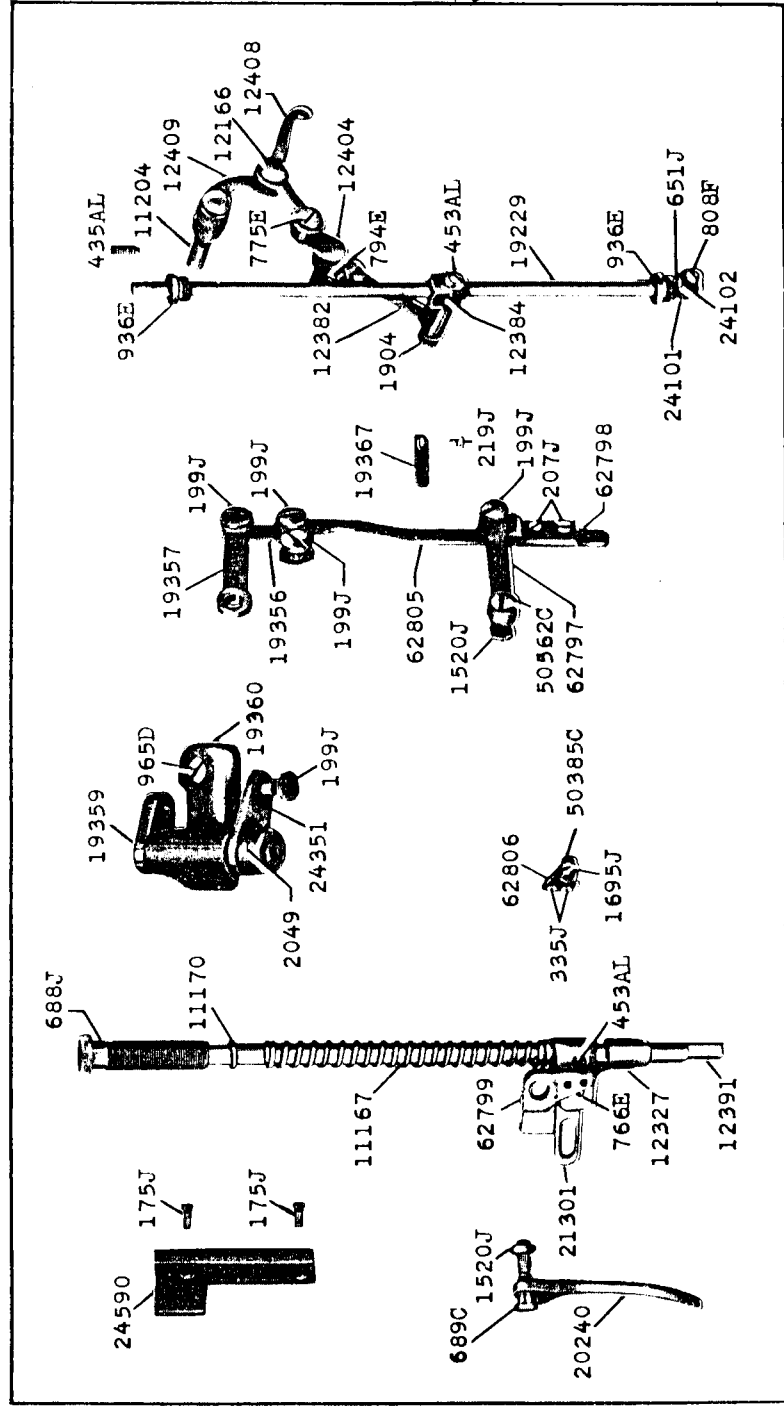
22483-1/3



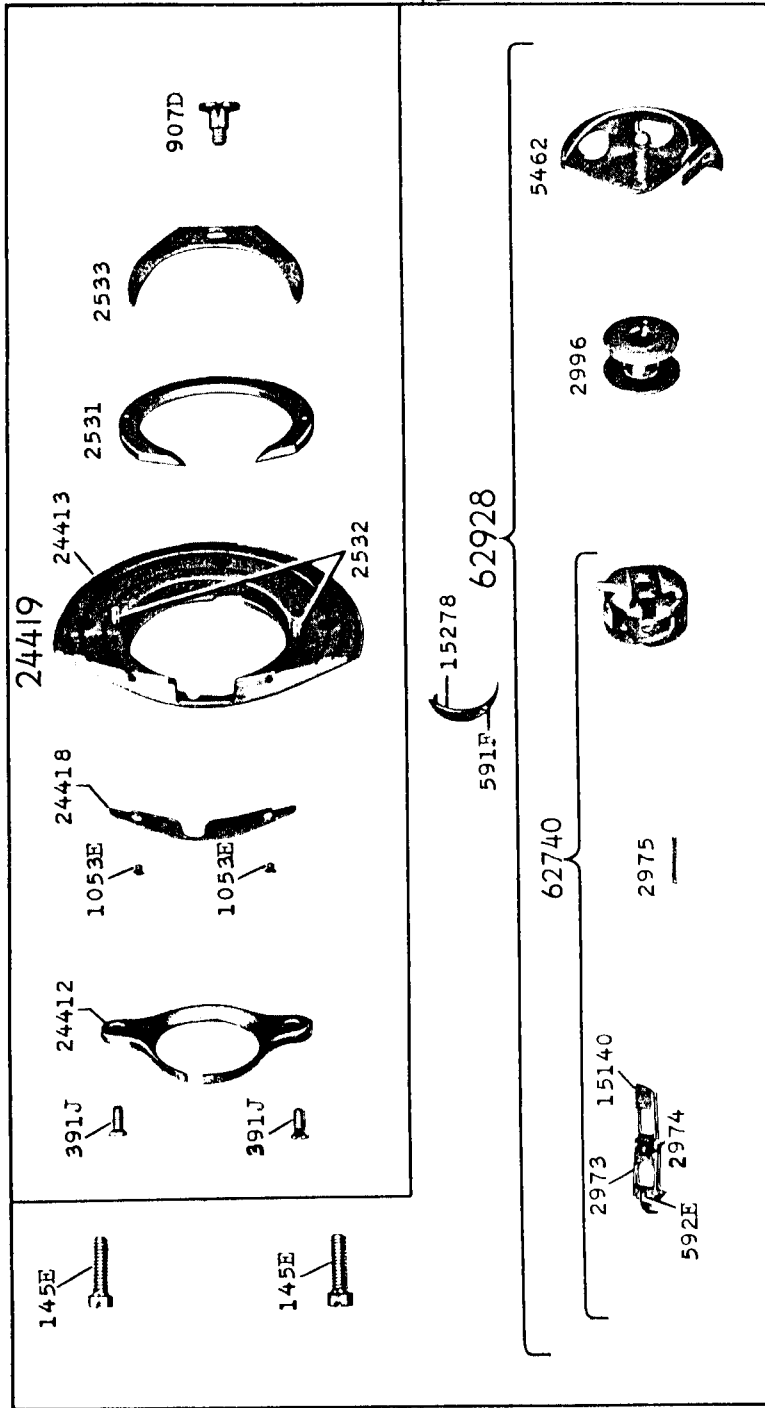
22484-1/2



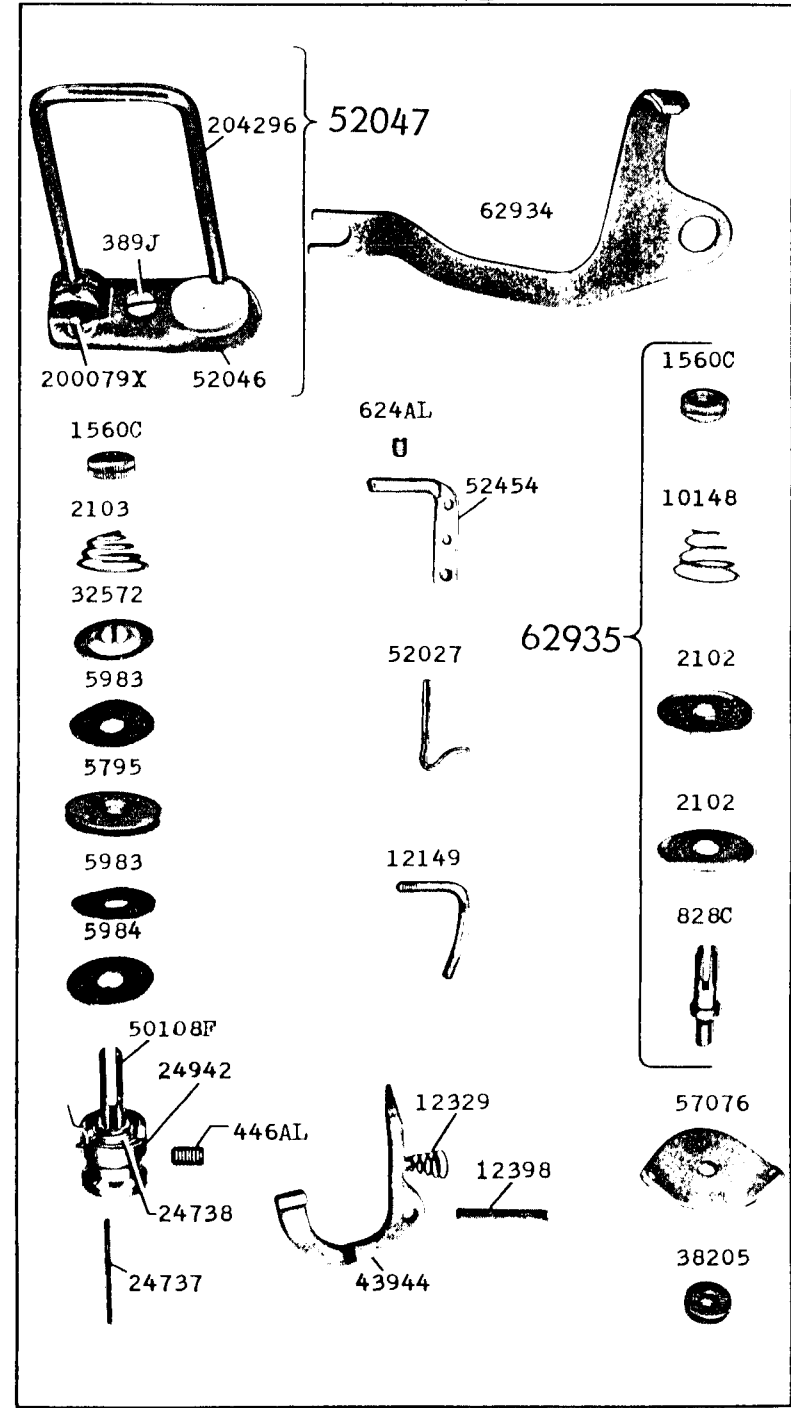
22485.1/3



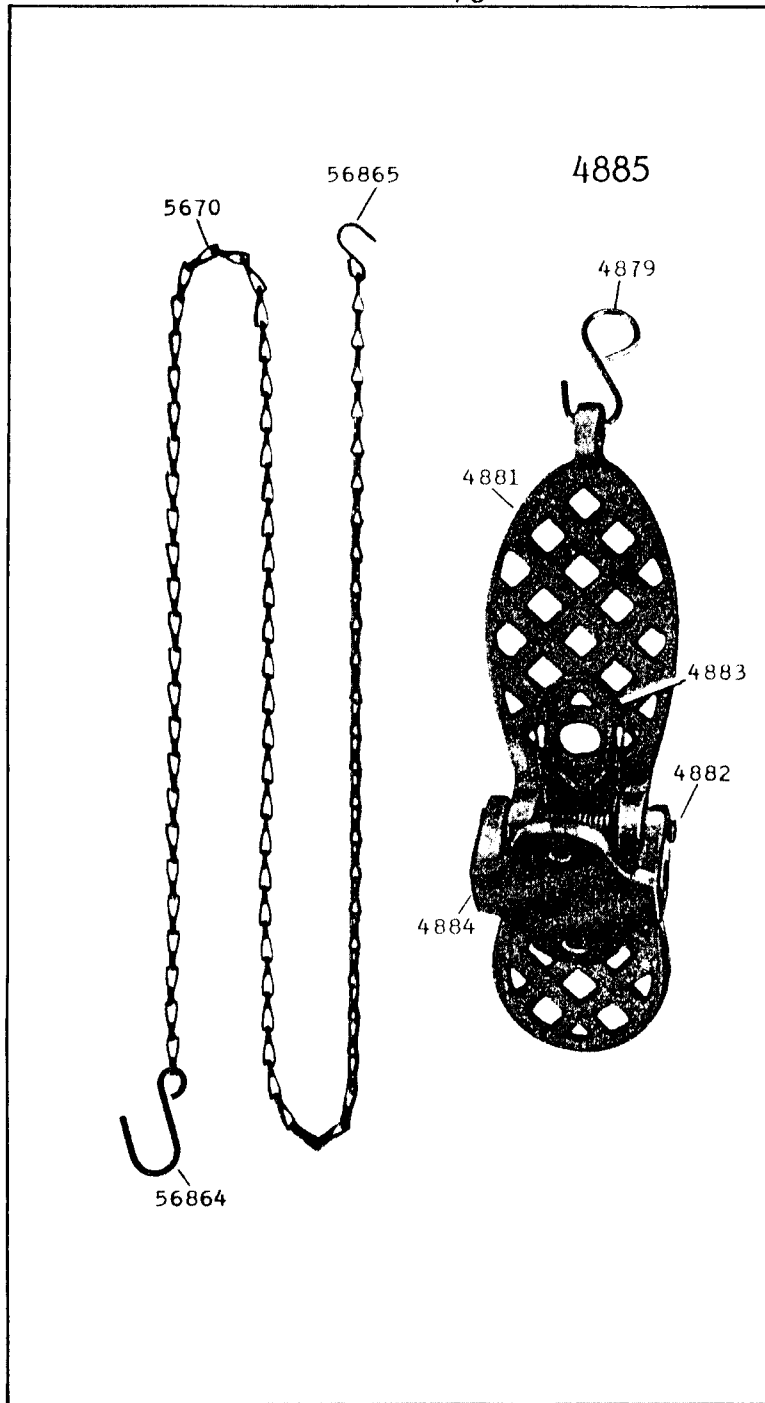
22486-1/2



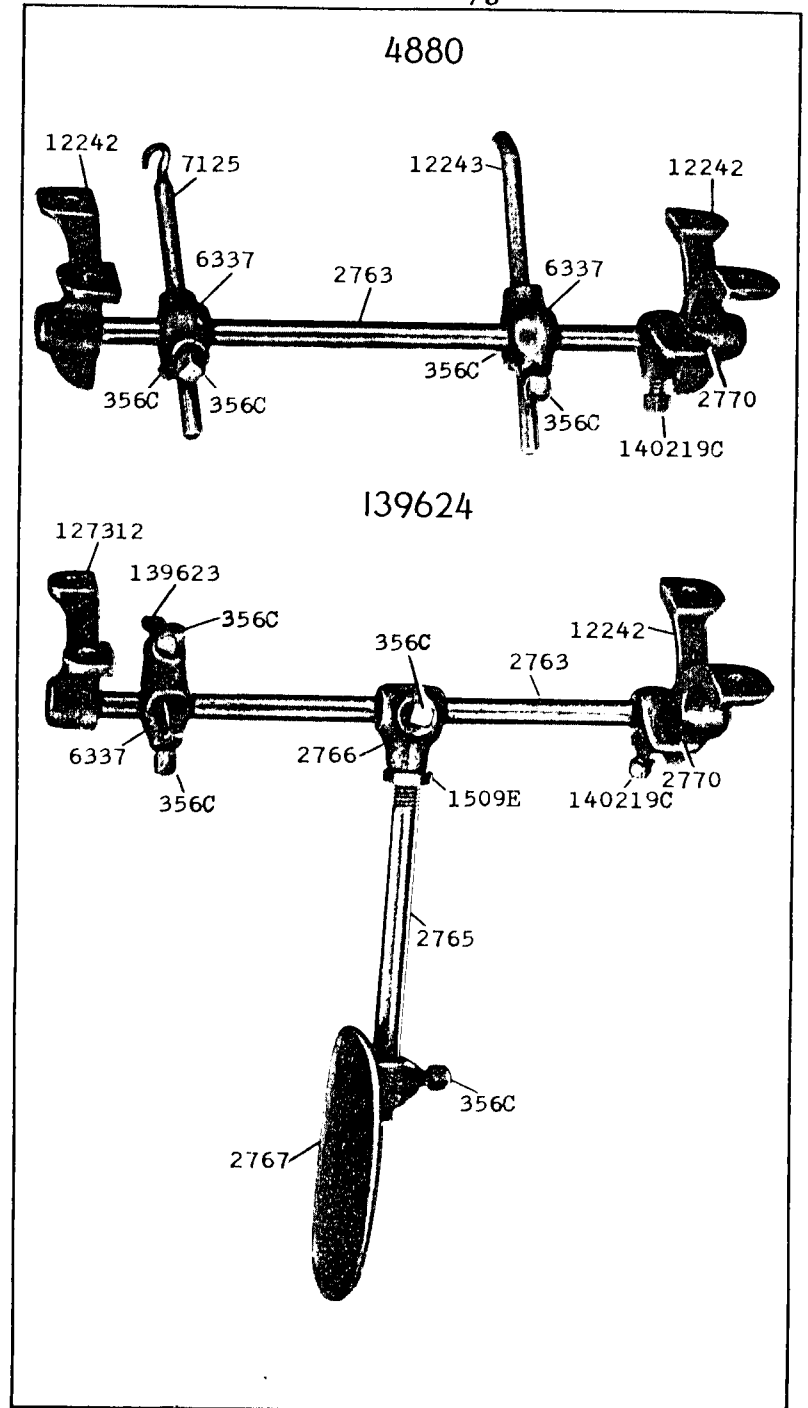
22487-1/2



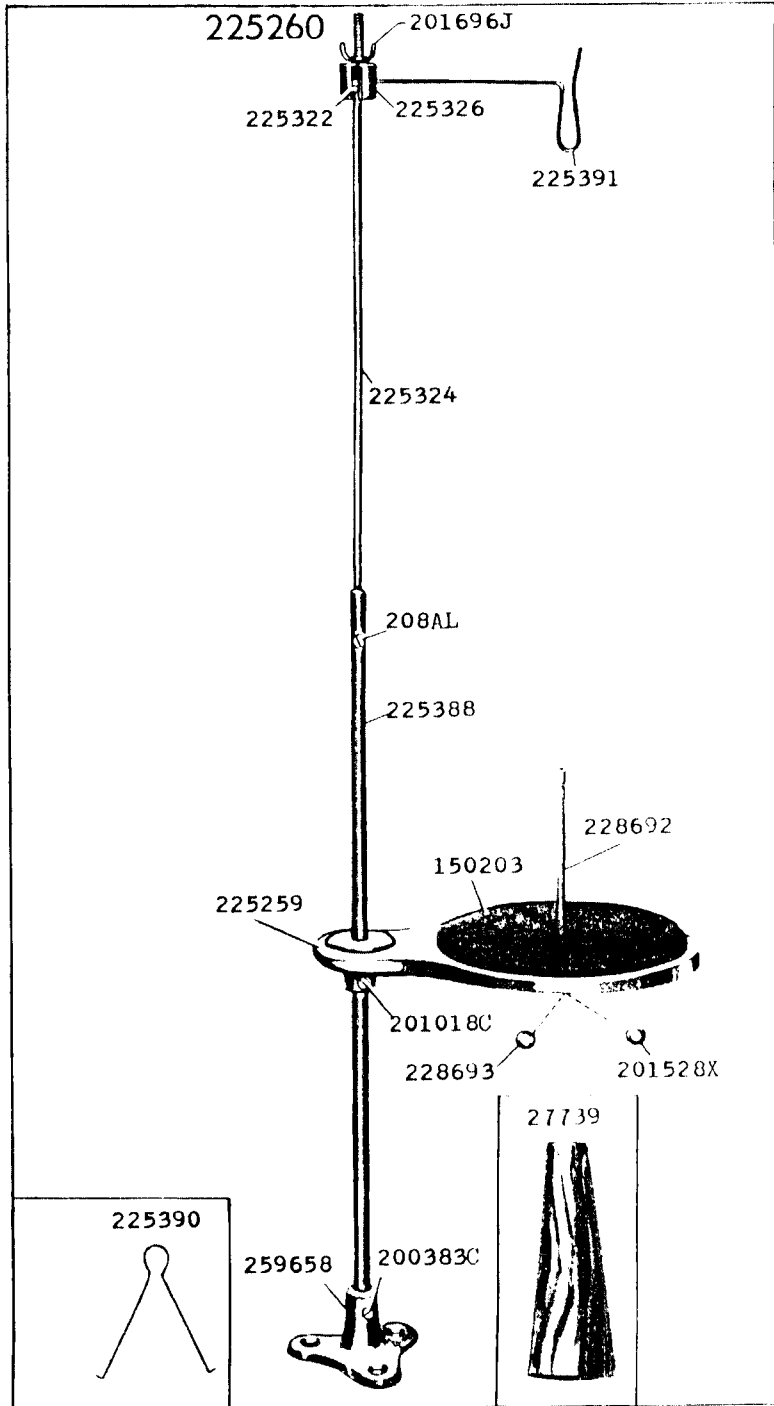
22488-1/3



22489-1/3



22490-1/4



23253 - 3/8

