

**SINGER**  
**51W55, W56, W57**

Form 2043w-Revised

(1149)

Printed in U. S. A.

**LIST**  
**OF**  
**PARTS**

**SINGER\***  
**MACHINES**  
Nos. 51w55, 51w56  
and 51w57

---

**THE SINGER COMPANY**

\*A Trade Mark of THE SINGER COMPANY

## INSTRUCTIONS FOR OILING

---

To ensure easy running and prevent unnecessary wear of the parts which are in movable contact, the machine requires oiling, and when in continuous use, "TYPE B" or "TYPE D" OIL, sold by Singer Sewing Machine Company, should be applied at least twice each day to small felt pad on the side of the bobbin case, and to all oil holes marked "OIL", as instructed in Forms 1970w and 1971w.

"TYPE D" OIL should be used when an oil is desired which will produce a minimum of stain on fabrics, even after a long period of storage.

Copyright, U. S. A., 1937, 1938, 1939,  
1940 and 1949  
by The Singer Company  
All Rights Reserved for all Countries

## INDEX

---

	PAGE
ACCESSORIES	25
BOBBIN WINDER	25
FEED DOGS	27
FOOT LIFTERS	26
HONING DEVICE	27
KNIFE GRINDER	28
KNIVES	28
MACHINE No. 51w55	5
MACHINE No. 51w56	14
MACHINE No. 51w57	24
NUMERICAL LIST OF PARTS	37
OBSOLETE PARTS	36
ROLLER PRESSERS	29
THROAT PLATES	31
WOOD BASES	35

## INSTRUCTIONS FOR ORDERING

5

In ordering from this list, use ONLY the PART number in the FIRST column.

The number stamped on a Sewing Machine Part is the number of the Single Part only, except when the part includes Set Screws, Clamping Screws, Studs and Rollers Spun on, Small Wires riveted, or Parts soldered together, etc., which it is necessary to furnish in combination.

Every combination of parts sent out has its specific number which, although not stamped on Parts (except in above case), must be used when ordering the combination.

Each number always indicates the SAME PART in whatever list it appears, or for whatever Machine.

The letters after some of the numbers indicate the style of finish only, as follows:

- A. Hardened, Polished, Nickel Plated and Buffed.
- B. Polished, Nickel Plated and Buffed.
- C. Hardened only.
- D. Polished only.
- E. Soft, not polished.
- F. Hardened and Polished.
- H. Blued.
- J. Nickel Plated only.
- R. Merlized.
- X. Black Oxide, for Iron and Steel.
- XC. Hardened and Black Oxide, for Iron or Steel.
- Y. Black Nickel Plated only.

These letters MUST BE USED when they appear in the list and AFTER the number, as in the list.

In this series

1 to 1500, 200001 to 201500 and 350001 to 351500 are Screw Numbers.  
 1501 to 1800, 201501 to 201800 and 351501 to 351800 are Nut Numbers.  
 1801 to 2000, 201801 to 202000 and 351801 to 352000 are Roller Numbers.  
 2001 to 50000 and 202001 to 350000 are Numbers of Machine Parts.

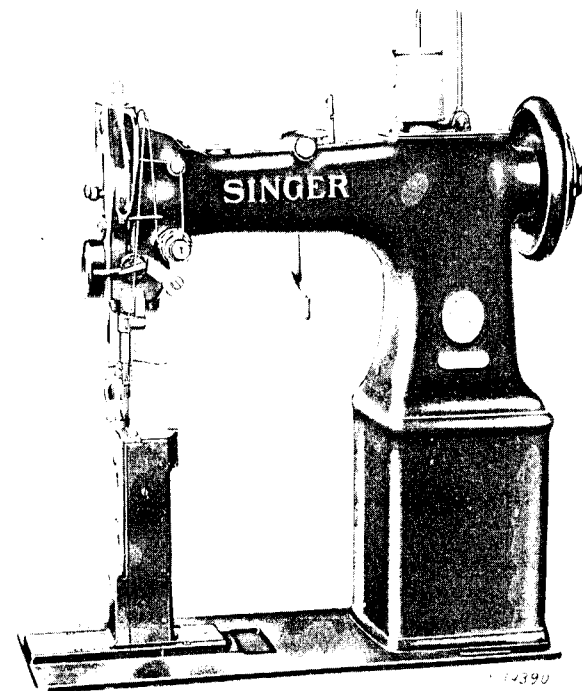
The figures in the second column refer only to the plate in which the illustration of the part is shown and are NOT TO BE USED in ordering.

Two or more numbers over a cut indicate that the difference between such parts is not visible in an illustration.

Parts marked with an asterisk (\*) are furnished only when repairs are made at the factory.

## LIST OF PARTS COMPLETE

FOR



### MACHINE No. 51w55

DROP FEED. ROLLER PRESSER.

MAXIMUM STITCH 8 TO THE INCH.

VERTICAL TRIMMER.

FOR STITCHING A SEAM AND TRIMMING THE

EDGES AT ONE OPERATION.

FOR LEATHER AND GLOVES.

No.	Plate	Arm	Name
*244038	-----	Arm	
*234002	-----	"	Base
204235	17624	"	" Position Pin (2)
200010E	17624	"	" Screw (3)
202005	17624	"	" Washer (3)
207073	17601	"	Bushing Hole Plug
200352C	17601	"	" " Set Screw
203091	17601	"	Cap

No.	Plate	Name
200278H	17601	Arm Cap Screw
202240	17601	" " " Washer
203089	17601	" " Spool Holder Base
203090	17601	" " " " " 203089 with 200079H and 204296
200585H	17601	Arm Cap Spool Holder Base Screw
204296	17601	" " " " Wire
200079H	17601	" " " " Hinge Screw
203092	17601	Arm Cap and Spool Holder complete, Nos. 203090, 203091 and two 200585H
10554	17624	Arm Position Pin (2)
200010E	17624	" Screw (3)
202005	17624	" " Washer (3)
241539	17601	" Shaft with 224392 and 350431E
240802	17601	" " Bushing (back) with 202244
202244	17601	" " " " Oil Packing (wick)
200338C	17601	Arm Shaft Bushing (back) Set Screw
207080	17601	" " " (front) with 202244
202244	17601	" " " " Oil Packing (wick)
200502H	17601	Arm Shaft Bushing (front) Oil Packing Thumb Screw
200338C	17601	Arm Shaft Bushing (front) Set Screw
234003	17624	" " Connection Belt
202635	17624	" " " " Pulley with 200327C, 200602C and two 202253
200602C	17624	Arm Shaft Connection Belt Pulley Position Screw
200327C	17624	Arm Shaft Connection Belt Pulley Set Screw
202253	17624	Arm Shaft Connection Belt Pulley Spring Flange
224392	17601	Arm Shaft Oil Packing (wick)
350431E	17601	" " " " Stop Screw
241561	17601	Balance Wheel (disc) (belt groove 2-3/4 in. diam.) with 200328C and 200335C
200328C	17601	Balance Wheel Position Screw
200335C	17601	" " " Set Screw
*234004	-----	Bed
202258	17624	" Hinge Connection (2)
200570E	17624	" " " Screw (4)
203208	17602	Bobbin
235769	17602	" Case Base with 202056, 203211 to 203213 and 203216
203211	17602	Bobbin Case Base Latch
*202056	-----	" " " " Pin
203212	17602	" " " " Plunger
203213	17602	" " " " Spring
241676	17602	" " Cap with 200594C, 200984C, 235771, 241674, 241675 and two 350405C
234079	17642	Bobbin Case Lever
234065	17642	" " " Driving Block
200076D	17642	" " " " Screw

No.	Plate	Name
201272C	17642	Bobbin Case Lever Hinge Screw
241674	17602	" " Oiling Felt
241675	17602	" " " " Retainer
350405C	17602	" " " " " Screw
235771	17602	" " Tension Spring
200984C	17602	" " " " Regulating Screw
200594C	17602	Bobbin Case Tension Spring Screw
203216	17602	" " Washer (cloth)
241677	17602	Bobbin Case complete, Nos. 235769 and 241676
241558	17604	Face Plate with 201650H and 350432XC
234010	17625	Feed Bar
200641C	17625	" " Hinge Screw (driving)
201518E	17625	" " " " Nut
202276	17625	" " Slide Block
234084	17625	" " " " Crank with 200038C " " " " " 234084 with 200205F, 201518E and 202276
234011	17625	" " " " " 234084 with 200205F, 201518E and 202276
200038C	17625	Feed Bar Slide Block Crank Pinch Screw
200205F	17625	" " " " Hinge Screw
201518E	17625	" " " " " Nut
212637	17605	" Dog
241502	17628	" " Lever with 200098E
200362C	17628	" " Adjusting Screw
201524E	17628	" " " " Check Nut
200263D	17628	" " Hinge Screw
201528D	17628	" " " " Nut
241503	17628	" " Post
241504	17628	" " " " 241503 with 200265E, 201525E, 203610, 221212, 241502, 241522, four each 200054E and 200578H
221209	17642	Feed Dog Lever Post Cover (back)
241507	17642	" " " " " (front)
200159F	17642	" " " " " Clamp Screw
200583H	17642	Feed Dog Lever Post Cover (back or front) Screw (8)
241522	17628	Feed Dog Lever Post Cover (side) with 200362C and 201524E
200578H	17628	Feed Dog Lever Post Cover (side) Screw
200024C	17628	" " " " Screw (2)
203637	17628	" " " " Washer (2)
221212	17628	" " " " Support
200054E	17628	" " " " Screw
200008C	17628	" " " " " (2)
203637	17628	" " " " " Washer (2)
203610	17628	Feed Dog Lever Slide Block
200265E	17628	" " " " " Hinge Screw
201525E	17628	" " " " " " "
		Nut
200098E	17628	Feed Dog Screw
234015	17624	" Driving Connection with 200049E and 202277

No.	Plate	Name
202298	17625	Feed Driving Connection Crank with 200038C
200038C	17625	Feed Driving Connection Crank Pinch Screw
200545C	17624	Feed Driving Connection Hinge Screw
201518E	17624	" " " " " Nut
202277	17624	" " " Oil Packing (wick)
200049E	17624	Feed Driving Connection Pinch Screw
202300	17624	" " Eccentric Regulating Bracket
203098	17624	Feed Driving Eccentric Regulating Bracket 202300 with 202635 two each, 201014C and 201525E
201014C	17624	Feed Driving Eccentric Regulating Bracket Hinge Screw
201525E	17624	Feed Driving Eccentric Regulating Bracket Hinge Screw Nut
202301	17624	Feed Driving Eccentric Regulating Bracket Plunger
202595	17624	Feed Driving Eccentric Regulating Bracket Plunger Spring
200607C	17624	Feed Driving Eccentric Regulating Bracket Plunger Spring Stop Screw
201014C	17624	Feed Driving Eccentric Regulating Bracket Stop Screw
201525E	17624	Feed Driving Eccentric Regulating Bracket Stop Screw Nut
200429F	17624	Feed Driving Eccentric Regulating Screw
200383C	17624	Feed Driving Eccentric Regulating Screw Check Screw
202303	17625	Feed Driving Rock Shaft
234016	17625	" " " " 202303 with 200641C, 201518E and 234010
202305	17625	Feed Driving Rock Shaft Center (2)
200043C	17625	" " " " " Set Screw (2)
234017	17624	Feed Lifting Connection with 200049E and 202277
202307	17601	Feed Lifting Connection Eccentric with 200382C and 200437C
200437C	17601	Feed Lifting Connection Eccentric Position Screw
200382C	17601	Feed Lifting Connection Eccentric Set Screw
200545C	17624	Feed Lifting Connection Hinge Screw
201518E	17624	" " " " " Nut
202277	17624	" " " Oil Packing (wick)
200049E	17624	Feed Lifting Connection Pinch Screw
234018	17625	" " Rock Shaft
202305	17625	" " " " Center (2)
200043C	17625	" " " " " Set Screw (2)
202310	17601	Feed Regulating Spindle with 202311, 202443 and 202619

No.	Plate	Name
*202311	-----	Feed Regulating Spindle Head
202443	17601	" " " " " Pin
202619	17601	" " " " " Position Pin
241505	17604	Foot Lifter Lifting Lever
200262H	17604	" " " " " Hinge Screw
234019	17604	" " " " " Rod with 202302
202302	17604	Foot Lifter Lifting Lever Rod Cotter Pin
203058	17604	Foot Lifter Lifting Lever Rod Coupling with 200530C
200530C	17604	Foot Lifter Lifting Lever Rod Coupling Set Screw
241620	17604	Foot Lifter Lifting Lever Spring
201113C	17604	" " " " " Screw
241519	-----	Hook (sewing)
241536	17602	" 241519 with 201253F, 201376C and 241604
241569	17602	Hook and Bobbin Case complete, Nos. 241536 and 241677
241550	17642	Hook Bevel Gear Socket, 14 teeth
234024	17642	" " " " Friction Washer
200555H	17642	" " " " Screw
241551	17642	" " Pinion, 28 teeth, with two 200378C
200378C	17642	Hook Bevel Pinion Set Screw
234026	17642	" Driving Shaft
202321	17642	" " " Bushing (3)
200346C	17642	" " " " Set Screw (3)
234027	17642	" " " Collar with two 200378C (2)
200378C	17642	Hook Driving Shaft Collar Set Screw
234028	17642	" " " Connection Belt
201254C	17642	Pulley with 202253 and two 201254C
202253	17642	Hook Driving Shaft Connection Belt Pulley Set Screw
224392	17642	Hook Driving Shaft Connection Belt Pulley Spring Flange
241604	17602	Hook Driving Shaft Oil Packing (wick) (3)
201376C	17602	Hook Gib
201253F	17602	" " Hinge Screw
234069	17642	" " Screw
241552	-----	" Post
202299	17642	" " 234069 with 200555H, 201272C, 202299, 221209, 221215, 221222, 234024, 234065, 234079, 241507, 241550, 241569, two 200076D and eight 200583H
200008C	17642	Hook Post Oil Packing (wick)
203637	17642	" " Screw (2)
221215	17642	" " Washer (2)
221222	17602	" " Slide
241553	-----	" Washer
		Hook Post complete, Nos. 200159F, 241504 and 241552

No.	Plate	Name
241574	17643	Knife
241510	17643	" Bar
241511	17643	" " 241510 with 202894,202895,two each 200585H and 20089FD
202889	17601	Knife Bar Driving Eccentric with 200382C and 200437C
241599	17643	Knife Bar Driving Eccentric Fork with 200029E
200029E	17643	Knife Bar Driving Eccentric Fork Pinch Screw
200437C	17601	Knife Bar Driving Eccentric Position Screw
200382C	17601	Knife Bar Driving Eccentric Set Screw
202891	17643	" " " Shaft Crank with 200694F and 201525E
200694F	17643	Knife Bar Driving Shaft Crank Stud
201525E	17643	Knife Bar Driving Shaft Crank Stud Nut
202892	17643	Knife Bar Friction Gib
241547	17643	" " Guide with 200070C and 224836
224836	17643	" " " Friction Plug
200070C	17643	" " " Pinch Screw
202893	17643	" " Lifting Spring (spiral)
202894	17643	" " " " Bracket
200585H	17643	" " " " " Screw
200485E	17643	" " " " " Thumb Screw
206949	17604	" " Stop Plate (lower) Face Plate Hinge and Holder
206950	17604	Knife Bar Stop Plate (upper) and Face Plate Stop
200582H	17604	Knife Bar Stop Plate Screw (4)
202895	17643	" Holder
200898D	17643	" " Screw
202897	17643	" " Switch-in Handle
200076D	17643	" " Screw (2)
244039	17643	" Switch-out Handle
200973H	17643	" " " Hinge Screw
202900	17643	" " " Spring (spiral)
241512	17644	Needle Bar with 200389C
241557	17644	" " Bushing
241513	17644	" " " 241557 with 241512
350164C	17644	" " " Set Screw
238251	17644	" " Connecting Link
264718	17644	" " " " Oil Guard
200161D	17644	" " " " " " Screw
202333	17644	Needle Bar Connecting Link Stud with 202254
202254	17644	Needle Bar Connecting Link Stud Oil Packing (wick)
200374C	17644	Needle Bar Connecting Link Stud Set Screw
200383C	17644	Needle Bar Connecting Link Stud Set Screw
*206891	-----	Needle Bar Connecting Stud

No.	Plate	Name
202329	17644	Needle Bar Connecting Stud 206891 with 200086C and 202330
202330	17644	Needle Bar Connecting Stud Oil Packing (wick)
200086C	17644	Needle Bar Connecting Stud Pinch Screw
202692	17644	" " Crank with 200335C,200374C, 200383C,200428C and 202333
241540	17644	Needle Bar Crank 202692 with 202329, 202399,202400,238251 and 241549
203172	17644	Needle Bar Crank Friction Washer
200428C	17644	" " " Position Screw
200335C	17644	" " " Set Screw
200389C	17644	" Set Screw
241535	17645	Presser Bar Bushing
200352C	17645	" " " Set Screw
202339	17645	" " Lifter
200653C	17645	" " " Hinge Screw
244004	17645	" " Lifting Releasing Lever Bracket
200260D	17645	Presser Bar Lifting Releasing Lever Bracket Guide Screw
206608	17645	Presser Bar Lifting Releasing Lever Bracket Spring
202337	17645	Presser Bar Position Guide
202338	17645	" " " " Lever with 200086F
200086F	17645	Presser Bar Position Guide Lever Pinch Screw
200352C	17645	Presser Bar Position Guide Set Screw
236089	17645	" " Spring
202346	17645	" " " Stop Rod
200492H	17645	" " Thumb Screw (pressure regulating)
201951	17646	Roller Presser,13/16 in. diam.,3/16 in. face (fine),with 1528J,201699C, 350104C and twenty-eight 206417
203422	17646	Roller Presser Arm
203432	17646	" " " 203422 with 201951
233807	17645	" " " Bracket
235088	17645	" " " " Position Collar with 200362C
200117F	17645	Roller Presser Arm Bracket Position Collar Position Screw
200362C	17645	Roller Presser Arm Bracket Position Collar Set Screw
202558	17645	Roller Presser Arm Bracket Spring
202559	17645	" " " " " " Stop
200141F	17645	" " " " " " Screw
200096D	17645	Roller Presser Arm Screw
206417	17646	" " Ball,1/16 in. diameter
201699C	17646	" " " Cone
202557	17645	" " Bar
350104C	17646	" " Hinge Screw
1528J	17646	" " " " Nut

No.	Plate	Name
233843	17645	Roller Presser and Bar complete, Nos. 200096D, 200117F, 202557 to 202559, 203432, 233807, 235088 and two 200141F
241549	17644	Take-up Lever
202399	17644	" " Driving Stud with 202277
202277	17644	" " " " Oil Packing (wick)
202400	17644	Take-up Lever Hinge Stud with 202423
202423	17644	" " " " Oil Packing (wick)
200383C	17644	Take-up Lever Hinge Stud Set Screw
202401	17645	" " Oiling Felt
200132E	17645	" " " " Screw
244048	17603	Tension Disc (back)
244049	17603	" " (front)
202404	17645	" Release Plunger
244061	17603	" " Washer
202407	17603	" Spring
263106	17603	" " Washer
200625F	17603	" Stud with 204925
200061C	17603	" " Set Screw
204925	17603	" " Washer
201572H	17603	" Thumb Nut
244062	17603	Tension complete, Nos. 200625F, 201572H, 202407, 202410, 244048, 244049, 244061 and 263106
202410	17603	Thread Controller Spring
241443	17603	" " " Stop
200132E	17603	" " " " Screw
202412	17601	" Guide
202413	17645	" " "
202414	17603	" " "
241544	17603	" " Roller
241545	17603	" " " Bracket
200066D	17603	" " " " Screw
200292F	17603	" " " Hinge Screw
200355H	17603	Thread Guide Set Screw
241546	17603	Thread Guide complete, Nos. 200292F, 241544 and 241545
241755	17604	Thread Lubricator Oil Pad (felt)
241756	17604	" " " " Holder
240439	17604	" " " " Retainer
241758	17604	" " " Reservoir
241759	17604	" " " Wick
350432XC	17604	" " " Screw
201650H	17604	" " " Nut
214838	17604	" " " Washer
241760	17604	Thread Lubricator complete, Nos. 214838, 240439, 241755, 241756, 241758 and 241759
223710	17603	Thread Retainer (lower) with 200397H
241727	17603	" " " " Bracket with 202108
202108	17603	Thread Retainer (lower) Bracket Position Pin
350238D	17603	Thread Retainer (lower) Bracket Screw

No.	Plate	Name
200583H	17603	Thread Retainer (lower) Screw
210993	17603	" " " Sleeve
223844	17603	" " " Spring
210957	17603	" " " Stud
210958	17603	" " " " Collar
200397H	17603	" " " " Set Screw
223711	17603	Thread Retainer (lower) complete, Nos. 210957, 210958, 210993, 223710 and 223844
241728	17603	Thread Retainer and Bracket complete, Nos. 223711, 241727 and two 200583H
202091	17603	Thread Retainer Sleeve
202092	17603	" " Spring
204058	17603	" " Stud
200368H	17603	" " " Set Screw
204059	17603	Thread Retainer complete, Nos. 202091, 202092 and 204058
241527	17605	Throat Plate, 53 needle hole, for needle sizes 12 and 13, with 241801, 241802, 350161E and 350264E, trims opposite the needle and .045, .060 and .085 in. to right of seam (has elongated screw holes)
241801	17605	Throat Plate Knife Follower, trims opposite the needle and .028, .035, .045, .060 and .085 in. to right of seam
350264E	17605	Throat Plate Knife Follower Hinge Screw
241802	17605	Throat Plate Knife Follower Spring
350161E	17605	" " " " " "
		Screw
200099H	17605	Throat Plate Screw (2)
200577AL	17605	" " " " (2)



## LIST OF PARTS COMPLETE

FOR

## MACHINE No. 51w56

DROP FEED. ROLLER PRESSER.

MAXIMUM STITCH 8 TO THE INCH.

OBLIQUE UNDEREDGE TRIMMER.

TRIMS BACK OF NEEDLE.

FOR LEATHER

No.	Plate	Arm	Name
*241661	-----	Arm	
*234002	-----	" Base	
204235	17624	" "	Position Pin (2)
200010F	17624	" "	Screw (3)
202005	17624	" "	Washer (3)
207073	17649	"	Bushing Hole Plug
200352C	17649	" "	" " Set Screw
203091	17649	"	Cap
200278H	17649	" "	" Screw
202248	17649	" "	" Washer
203089	17649	" "	Spool Holder Base
203090	17649	" "	" " 203089 with 200079H and 204296
200585H	17649	Arm	Cap Spool Holder Base Screw
204296	17649	" "	" " Wire
200079H	17649	" "	" " Hinge Screw
203092	17649	Arm	Cap and Spool Holder complete, Nos. 203090, 203091 and two 200585H
10554	17624	Arm	Position Pin (2)
200010E	17624	"	Screw (3)
202005	17624	"	Washer (3)
241624	17649	"	Shaft with 224382 and 350431F
240802	17649	"	Bushing (back) with 202244
202244	17649	" "	" " Oil Packing (wick)
200338C	17649	Arm	Shaft Bushing (back) Set Screw
207080	17649	" "	" " (front) with 202244
202244	17649	" "	" " Oil Packing (wick)
200502H	17649	Arm	Shaft Bushing (front) Oil Packing Thumb Screw
200338C	17649	Arm	Shaft Bushing (front) Set Screw
234003	17624	" "	" Connection Belt
202635	17624	" "	" " Pulley with 200327C, 200602C and two 202253
200602C	17624	Arm	Shaft Connection Belt Pulley Position Screw
200327C	17624	Arm	Shaft Connection Belt Pulley Set Screw
202253	17624	Arm	Shaft Connection Belt Pulley Spring Flange
224392	17649	Arm	Shaft Oil Packing (wick)

No.	Plate	Name
350431E	17649	Arm Shaft Oil Packing Stop Screw
241561	17649	Balance Wheel (disc) (belt groove 2-3/4 in. diam.) with 200328C and 200335C
200328C	17649	Balance Wheel Position Screw
200335C	17649	" " Set Screw
*234004	-----	Bed
202258	17624	" Hinge Connection (2)
200570E	17624	" " " Screw (4)
203208	17627	Bobbin
235769	17627	" Case Base with 202056, 203211 to 203213 and 203216
203211	17627	Bobbin Case Base Latch
*202056	-----	" " " " Pin
203212	17627	" " " " Plunger
203213	17627	" " " " Spring
241676	17627	" " Cap with 200594C, 200984C, 235771, 241674, 241675 and two 350405C
234079	17642	Bobbin Case Lever
234065	17642	" " " Driving Block
200076D	17642	" " " " Screw
201272C	17642	" " " Hinge Screw
241674	17627	" " Oiling Felt
241675	17627	" " " Retainer
350405C	17627	" " " " Screw
235771	17627	" " Tension Spring
200984C	17627	" " " " Regulating Screw
200594C	17627	Bobbin Case Tension Spring Screw
203216	17627	" " Washer (cloth)
241677	17627	Bobbin Case complete, Nos. 235769 and 241676
248894	17653	Bracket (underedge)
248895	17653	" " 248894 with 200077D, 200888, 201142C, 204411 and three 248896
200517D	17653	Bracket Screw (2)
241635	17653	Bracket (underedge) complete, Nos. 200047D, 200802E, 204233, 204358, 204361, 204365 to 204367, 204372, 204373, 206042, 213774, 214053, 233657, 241632 to 241634, 241636 to 241638, 248895, 350086C and two 200028D
241558	17604	Face Plate with 201650H and 350432XC
234010	17625	Feed Bar
200641C	17625	" " Hinge Screw (driving)
201518E	17625	" " " " Nut
202276	17625	" " Slide Block
234084	17625	" " " " Crank with 200038C
200038C	17625	" " " " " Pinch Screw
234011	17625	" " " " " 234084 with 200205F, 201518E and 202276
200205F	17625	Feed Bar Slide Block Hinge Screw
201518E	17625	" " " " " " Nut
213920	17650	" Dog
241502	17650	" " Lever with 200098E
200362C	17628	" " " Adjusting Screw

No.	Plate	Name
201524E	17628	Feed Dog Lever Adjusting Screw Check Nut
200263D	17628	Feed Dog Lever Hinge Screw
201528D	17628	" " " " " Nut
241503	17628	" " " Post
241504	17628	" " " " 241503 with 200265E, 201525E, 203610, 221212, 241502, 241522, four each 200054E and 200578H
221209	17642	Feed Dog Lever Post Cover (back)
241507	17642	" " " " " (front)
200159F	17642	" " " " " " Clamp Screw
200583H	17642	Feed Dog Lever Post Cover (back or front) Screw (8)
241522	17628	Feed Dog Lever Post Cover (side) with 200362C and 201524E
200578H	17628	Feed Dog Lever Post Cover (side) Screw
200024C	17628	" " " " " Screw (2)
203637	17628	" " " " " Washer (2)
221212	17628	" " " " " Support
200054E	17628	" " " " " " Screw
200008C	17628	" " " " " " (2)
203637	17628	" " " " " " Washer (2)
203610	17628	Feed Dog Lever Slide Block
200265E	17628	" " " " " " Hinge Screw
201525E	17628	" " " " " " " Nut
200098E	17628	Feed Dog Screw
234015	17624	" " Driving Connection with 200049E and 202277
202298	17625	Feed Driving Connection Crank with 200038C
200038C	17625	Feed Driving Connection Crank Pinch Screw
200545C	17624	Feed Driving Connection Hinge Screw
201518E	17624	" " " " " " Nut
202277	17624	" " " " " Oil Packing(wick)
200049E	17624	" " " " " Pinch Screw
202300	17624	" " " " " Eccentric Regulating Bracket
203098	17624	Feed Driving Eccentric Regulating Bracket 202300 with 202635, two each 201014C and 201525E
201014C	17624	Feed Driving Eccentric Regulating Bracket Hinge Screw
201525E	17624	Feed Driving Eccentric Regulating Bracket Hinge Screw Nut
202301	17624	Feed Driving Eccentric Regulating Bracket Plunger
202595	17624	Feed Driving Eccentric Regulating Bracket Plunger Spring
200607C	17624	Feed Driving Eccentric Regulating Bracket Plunger Spring Stop Screw
201014C	17624	Feed Driving Eccentric Regulating Bracket Stop Screw

No.	Plate	Name
201525E	17624	Feed Driving Eccentric Regulating Bracket Stop Screw Nut
200429F	17624	Feed Driving Eccentric Regulating Screw
200383C	17624	" " " " " " Check Screw
202303	17625	Feed Driving Rock Shaft
234016	17625	" " " " " 202303 with 200641C, 201518E and 234010
202305	17625	Feed Driving Rock Shaft Center (2)
200043C	17625	" " " " " " Set Screw (2)
234017	17624	Feed Lifting Connection with 200049E and 202277
202307	17649	Feed Lifting Connection Eccentric with 200382C and 200437C
200437C	17649	Feed Lifting Connection Eccentric Position Screw
200382C	17649	Feed Lifting Connection Eccentric Set Screw
200545C	17624	Feed Lifting Connection Hinge Screw
201518E	17624	" " " " " " Nut
202277	17624	" " " " " Oil Packing (wick)
200049E	17624	Feed Lifting Connection Pinch Screw
234018	17625	" " " " " Rock Shaft
202305	17625	" " " " " Center (2)
200043C	17625	" " " " " " Set Screw (2)
202310	17649	Feed Regulating Spindle with 202311, 202443 and 202619
*202311	-----	Feed Regulating Spindle Head
202443	17649	" " " " " Pin
202619	17649	" " " " " Position Pin
241505	17604	Foot Lifter Lifting Lever
200262H	17604	" " " " " Hinge Screw
234019	17604	" " " " " Rod with 202302
202302	17604	Foot Lifter Lifting Lever Rod Cotter Pin
203058	17604	Foot Lifter Lifting Lever Rod Coupling with 200530C
200530C	17604	Foot Lifter Lifting Lever Rod Coupling Set Screw
241620	17604	Foot Lifter Lifting Lever Spring
201113C	17604	" " " " " " Screw
233655	17653	Guide Finger
233658	17653	" " " " " Block with 201215F
201215F	17653	" " " " " Set Screw
233656	17653	" " " " " Bracket
233657	17653	" " " " " 233656 with 200118E, 200904D, 233655 and 233658
200118F	17653	Guide Finger Bracket Screw
204358	17653	" " " " " Clamp Bar
248896	17653	" " " " " Bushing
201142C	17653	" " " " " " Set Screw

No.	Plate	Name
241638	17653	Guide Finger Clamp Bar Carrier with 200066D and 201537H
204361	17653	Guide Finger Clamp Bar Carrier Latch
200802E	17653	" " " " " "
		Hinge Screw
204230	17653	Guide Finger Clamp Bar Carrier Latch Spring
204233	17653	Guide Finger Clamp Bar Carrier Latch Spring 204230 with 200802E
241625	17653	Guide Finger Clamp Bar Carrier Position Guide with 36737, 200078H, 200387C and 204389
200078H	17653	Guide Finger Clamp Bar Carrier Position Guide Pinch Screw
200387C	17653	Guide Finger Clamp Bar Carrier Position Guide Set Screw
241637	17653	Guide Finger Clamp Bar Carrier Position Guide Slide
241633	17653	Guide Finger Clamp Bar Carrier Position Guide complete, Nos. 241625 and 241626
200066D	17653	Guide Finger Clamp Bar Carrier Screw
201537H	17653	" " " " " " Nut
204365	17653	" " " " " " Spring
204366	17653	" " " " " " Position Guide with 200140H
200140H	17653	Guide Finger Clamp Bar Position Guide Screw
204367	17653	Guide Finger Clamp Bar Spring
241626	17653	" " Disengaging Lever
36737	17653	" " " " " Friction Ball, 1/8 in. diameter
204389	17653	Guide Finger Disengaging Lever Friction Ball Spring
241636	17653	Guide Finger Lifter with 200103D, 200174D and 201217D
201217D	17653	Guide Finger Lifter Adjusting Thumb Screw
200103D	17653	Guide Finger Lifter Adjusting Thumb Screw Pinch Screw
350086C	17653	Guide Finger Lifter Hinge Screw
206042	17653	" " " " " Spring
200802E	17653	" " " " " Screw
200174F	17653	" " " " " "
200904D	17653	" " " " " Screw
*221214	-----	Hook (sewing)
241602	17627	" 221214 with 201253F, 201376C and 241604
241679	17627	Hook and Bobbin Case complete, Nos. 241602 and 241677
241550	17642	Hook Bevel Gear Socket, 14 teeth
234024	17624	" " " " " Friction Washer
200555H	17642	" " " " " Screw
241551	17642	" " Pinion, 28 teeth, with two 200378C
200378C	17642	Hook Bevel Pinion Set Screw

No.	Plate	Name
234026	17642	Hook Driving Shaft
202321	17642	" " " " Bushing (3)
200346C	17642	" " " " " Set Screw (3)
234027	17642	" " " " " Collar with two 200378C (2)
200378C	17642	Hook Driving Shaft Collar Set Screw
234028	17642	" " " " " Connection Belt Pulley with 202253 and two 201254
201254C	17642	Hook Driving Shaft Connection Belt Pulley Set Screw
202253	17642	Hook Driving Shaft Connection Belt Pulley Spring Flange
204392	17642	Hook Driving Shaft Oil Packing (wick) (3)
241604	17627	Hook Gib
201376C	17627	" " " Hinge Screw
201253F	17627	" " " Screw
234069	17642	" " " Post
241640	-----	" " " 234069 with 200555H, 201272C, 202299, 221209, 221215, 221222, 234024, 234065, 234079, 241507, 241550, 241679, two 200076D and eight 200583H
241641	-----	Hook Post complete, Nos. 200159F, 241504 and 241640
202299	17642	Hook Post Oil Packing (wick)
200080C	17642	" " " Screw (2)
203637	17642	" " " Washer (2)
201215	17642	" " " Slide
201222	17627	" " " Washer
241574	17653	Knife
204369	17653	" " " Bar (hollow)
213774	17653	" " " 204369 with 200094F, 202603 and 204342
248896	17653	Knife Bar Bushing
200077D	17653	" " " " " Screw
204372	17653	" " " " " Collar with two 200387C
200387C	17653	" " " " " Set Screw
241607	17655	" " " " " Driving Bar with two 200585H
200585H	17655	" " " " " " " Screw
213178	17653	" " " " " " " Collar with 200381C and 200387C
241634	17653	Knife Bar Driving Collar 213178 with 200243E, 201528E, 201531E, 213179, 213181 and 350350C
200381C	17653	Knife Bar Driving Collar Screw
200387C	17653	" " " " " " " Set Screw
213635	17649	" " " " " " " Eccentric with 200382C and 200437C
241599	17655	Knife Bar Driving Eccentric Fork with 200029E
200029E	17655	Knife Bar Driving Eccentric Fork Pinch Screw
200437C	17649	Knife Bar Driving Eccentric Position Screw
200382C	17649	Knife Bar Driving Eccentric Set Screw
213181	17653	" " " " " Link

No.	Plate	Name
213179	17653	Knife Bar Driving Link Bracket
200243E	17653	" " " " " Hinge Screw
201528E	17653	Knife Bar Driving Link Bracket Hinge Screw Nut
350350C	17653	Knife Bar Driving Link Hinge Screw
201531E	17653	" " " " " " Nut
202891	17655	" " " Shaft Crank with 200694F and 201525E
200694F	17655	Knife Bar Driving Shaft Crank Screw Stud
201525E	17655	Knife Bar Driving Shaft Crank Screw Stud Nut
202892	17655	Knife Bar Friction Glb
204373	17653	" " Position Guide with 200890
200026D	17653	" " " " Pinch Screw
200890	17653	" " " " " "
201534H	17653	200026D with 201534H Knife Bar Position Guide Pinch Screw Nut
200028D	17653	Knife Bar Position Guide Screw
204411	17653	" " Sleeve (split)
200043C	17653	" " " Set Screw
200888	17653	" " " " " 200043C with 201524E
201524E	17653	Knife Bar Sleeve Set Screw Nut
206949	17604	" " Stop Plate (lower) Face Plate Hinge and Holder
206950	17604	Knife Bar Stop Plate (upper) and Face Plate Stop
200582H	17604	Knife Bar Stop Plate Screw (4)
214053	17653	" " Throw-out Spring
200047D	17653	" " " " Screw (lower)
200301E	17653	Knife Bar Throw-out Spring Screw (upper)
241628	17653	Knife Engaging Lever with 203060
241629	17653	" " " Bracket with 202036 and 203060
241630	17653	Knife Engaging Lever Bracket 241629 with 201178H, 201527H, 206042 and 241628
201178H	17653	Knife Engaging Lever Hinge Screw
201527H	17653	" " " " " Nut
206042	17653	" " " Spring
203060	17653	" " " Hook
202036	17653	" " " Stop Pin
241631	17653	" " " Thrust Stud
241632	17653	Knife Engaging Lever complete, Nos. 241630 and 241631
204381	17653	Knife Holder
204342	17653	" " 204381 with two 200126F
200094F	17653	" " Screw
202603	17653	" " Washer
200126F	17653	" Screw
244039	17655	" Switch-out Handle

No.	Plate	Name
200973H	17655	Knife Switch-out Handle Hinge Screw
202900	17655	" " " Spring (spiral)
241669	17631	Needle Bar with 200141F
241557	17631	" " Bushing
241673	17631	" " " 241557 with 241669
350164C	17631	" " " Set Screw
238251	17631	" " Connecting Link
264718	17631	" " " " Oil Guard
200161D	17631	" " " " " " Screw
202333	17631	Needle Bar Connecting Link Stud with 202254
202254	17631	Needle Bar Connecting Link Stud Oil Packing (wick)
200374C	17631	Needle Bar Connecting Link Stud Set Screw
200383C	17631	Needle Bar Connecting Link Stud Set Screw
206891	-----	Needle Bar Connecting Stud
202329	17631	" " " 206891 with 200086C and 202330
202330	17631	Needle Bar Connecting Stud Oil Packing (wick)
200086C	17631	Needle Bar Connecting Stud Pinch Screw
202692	17631	" " Crank with 200335C, 200374C, 200383C, 200428C and 202333
241540	17631	Needle Bar Crank 202692 with 202329, 202399, 202400, 238251 and 241549
203172	17631	Needle Bar Crank Friction Washer
200428C	17631	" " " Position Screw
200335C	17631	" " " Set Screw
200141F	17631	" Set Screw
241535	17654	Presser Bar Bushing
200352C	17654	" " " Set Screw
202339	17654	" " Lifter
200653C	17654	" " " Hinge Screw
244004	17654	" " Lifting Releasing Lever Bracket
200260D	17654	Presser Bar Lifting Releasing Lever Bracket Guide Screw
206608	17654	Presser Bar Lifting Releasing Lever Bracket Spring
202337	17654	Presser Bar Position Guide
202338	17654	" " " " Lever with 200086F
200086F	17654	Presser Bar Position Guide Lever Pinch Screw
200352C	17654	Presser Bar Position Guide Set Screw
236089	17654	" " Spring
234044	17654	" " " Stop Rod
200492H	17654	" " Thumb Screw (pressure regulating)
201951	17646	Roller Presser, 13/16 in. diam., 3/16 in. face (fine), with 1528J, 201699C, 350104C and twenty-eight 206417

No.	Plate	Name
203422	17646	Roller Presser Arm
203432	17646	" " " 203422 with 201951
233807	17654	" " " Bracket
235088	17654	" " " Position
		Collar with 200362C
200117F	17654	Roller Presser Arm Bracket Position
		Collar Position Screw
200362C	17654	Roller Presser Arm Bracket Position
		Collar Set Screw
202558	17654	Roller Presser Arm Bracket Spring
202559	17654	" " " " " Stop
200141F	17654	" " " " " " "
		Screw
200096D	17654	Roller Presser Arm Screw
206417	17646	" " " Ball, 1/16 in. diameter
201699C	17646	" " " Cone
202557	17654	" " " Bar
350104C	17646	" " " Hinge Screw
1528J	17646	" " " " " Nut
233843	17654	Roller Presser and Bar complete, Nos. 200096D, 200117F, 202557 to 202559, 203432, 233807, 235088 and two 200141F
241549	17631	Take-up Lever
202399	17631	" " " Driving Stud with 202277
202277	17631	" " " " " Oil Packing (wick)
202400	17631	Take-up Lever Hinge Stud with 202423
202423	17631	" " " " " Oil Packing (wick)
200383C	17631	Take-up Lever Hinge Stud Set Screw
202401	17654	" " " Oiling Felt
200132E	17654	" " " " " Screw
244048	17603	Tension Disc (back)
244049	17603	" " (front)
202404	17654	" Release Plunger
244061	17603	" " Washer
202407	17603	" Spring
263106	17603	" " Washer
200625F	17603	" Stud with 204925
200061C	17603	" " Set Screw
204925	17603	" " Washer
201572H	17603	" Thumb Nut
244062	17603	Tension complete, Nos. 200625F, 201572H, 202407, 202410, 244048, 244049, 244061 and 263106
202410	17603	Thread Controller Spring
241443	17603	" " " " Stop
200132E	17603	" " " " " Screw
202412	17649	" Guide
202413	17654	" " "
202414	17603	" " "
241544	17603	" " Roller
241545	17603	" " " Bracket
200066D	17603	" " " " Screw
200292F	17603	" " " Hinge Screw
200355H	17603	" " " Set Screw

No.	Plate	Name
24154F	17603	Thread Guide complete, Nos. 200292F, 241544 and 241545
241755	17604	Thread Lubricator Oil Pad (felt)
241756	17604	" " " " Holder
240439	17604	" " " " Retainer
241759	17604	" " " " Reservoir
241759	17604	" " " Wick
330451XC	17604	" " " Screw
201850H	17604	" " " Nut
241837	17604	" " " Washer
241760	17604	Thread Lubricator complete, Nos. 214838, 240439, 241755, 241756, 241758 and 241759
223710	17603	Thread Retainer (lower) with 200397H
241727	17603	" " " Bracket with 202106
202106	17603	Thread Retainer (lower) Bracket
		Position Pin
350236D	17603	Thread Retainer (lower) Bracket Screw
200583H	17603	" " " " Screw
210993	17603	" " " Sleeve
223044	17603	" " " Spring
210957	17603	" " " Stud
210958	17603	" " " " Collar
200397H	17603	" " " " Set Screw
223711	17603	Thread Retainer (lower) complete, Nos. 210957, 210958, 210993, 223710 and 223044
241728	17603	Thread Retainer and Bracket complete, Nos. 223711, 241727 and two 200583H
202091	17603	Thread Retainer Sleeve
202092	17603	" " Spring
204059	17603	" " Stud
200369H	17603	" " " Set Screw
204059	17603	Thread Retainer complete, Nos. 202091, 202092 and 204058
241615	17650	Throat Plate, 50 needle hole, for needle sizes 14 and 15, with 221255, 221256, 350161E and 350264E, trims back of needle and .015, .025, .035 and .050 in. to right of seam (has elongated screw holes)
221255	17650	Throat Plate Knife Follower, trims back of needle and .015, .025, .035 and .050 in. to right of seam
350264E	17650	Throat Plate Knife Follower Hinge Screw
221256	17650	" " " " Spring
350161E	17650	" " " " " Screw
200099H	17650	" " " Screw (2)
200577AL	17650	" " " (2)

## MACHINE No. 51w57

DROP FEED. ROLLER PRESSER.

MAXIMUM STITCH 8 TO THE INCH.

OBLIQUE UNDEREDGE TRIMMER.

TRIMS ABREAST OF THE NEEDLE.

FOR LEATHER

Same as Machine No. 51w56 with the following exceptions:

No.	Plate	Name
241658	17652	Throat Plate, 50 needle hole, for needle sizes 14 and 15, with 241802, 241808, 350161E and 350264E, trims opposite the needle and .050, .060 and .075 in. to right of seam (has elongated screw holes), in place of 241615
241808	17652	Throat Plate Knife Follower, trims opposite the needle and .040, .050, .060 and .075 in. to right of seam, in place of 221255
241802	17652	Throat Plate Knife Follower Spring, in place of 221256

## ACCESSORIES

No.	Plate	Name
20320	17602	Bobbin (5)
241574	17616	Knife (3)
4822	17646	Roller Presser Hinge Screw Nut Wrench
22847E	17620	Screw Driver (Bobbin Case)
129x4	-----	Needles, two each, sizes 11, 12 and 13
228213	17641	Drip Pan (long) with four 3/4 in. wire nails
41400	17620	Machine Rest Pin (wood)
120342	17620	Oiler (copper plated) with 120343
120343	17620	Spout, 3-1/2 in. long
225498	17620	Screw Driver (7-1/4 in. long)
225554	17620	Wrench (steel)

## BOBBIN WINDER

(SWINGING AUTOMATIC, RIGHT HAND)

FOR 5/16 INCH ROUND BELT DRIVE

259428	16615	Bobbin Winder Brake (leather)
259429	16615	" " " Clamp
200113F	16615	" " " Screw
225453	16615	Frame with 202277 and 259660
225454	16615	" Hinge Pin
202277	16615	" Oil Packing (wick)
259660	16615	" " Well Washer
225455	16615	" Spring
225456	16615	" " Plunger
225368	16615	Pulley with 200380C
200380C	16615	" Set Screw
225381	16615	Spindle
225444	16615	Stop Latch
200056E	16615	" " Screw
225458	16615	" " Thumb Lever
225459	16615	" " " Hinge Stud
225459	16615	" " " Joint Stud
202478	16615	" " Trip Lever
200299H	16615	" " " Hinge Screw
225461	16615	Tension Bracket with 201499H
200082D	16615	" " Screw
228026	16615	" " Washer
2102	16615	" Disc
13710	16615	" Spring
201499H	16615	" Stud
201572H	16615	" " Thumb Nut
225462	16615	Bobbin Winder Tension Bracket complete, Nos. 13710, 201572H, 225461 and two 2102

## ACCESSORIES

No.	Plate	Name
259430	16615	Bobbin Winder and Tension Bracket Base
259431	16615	Universal Bobbin Winder complete, Nos. 200056E, 200082D, 200113F, 200299H, 202478, 225368, 225381, 225444, 225453 to 225456, 225458, 225462, 228026, 259428 to 259430, two each 225459 and wood screws 3/4 in., No. 12, R.H.B.

## FOOT LIFTER

227952	17620	Foot Lifter Lever (left or right) with 227954
227678	17620	Foot Lifter Lever Chain, 48 in. long, with 202784
227954	17620	Foot Lifter Lever Chain Hook (lower)
202784	17620	" " " " " (upper)
225016	17620	" " " Hinge Pin
227953	17620	" " " Stand with two wood screws 1 in., No. 12
227955	17620	Foot Lifter Lever (left or right) complete, Nos. 225016, 227678, 227952 and 227953

(Other Foot Lifter parts are listed with parts of machine head.)

## FOOT LIFTER

FURNISHED IN PLACE OF 227955 WHEN SO ORDERED

227060	17639	Foot Lifter Lever (on floor) with 225592
227102	17639	Foot Lifter Lever 227060 with 227678 and two 204128
227678	17639	Foot Lifter Lever Chain, 48 in. long, with 202784
225592	17639	Foot Lifter Lever Chain Hook (lower)
202784	17639	" " " " " (upper)
204128	17639	" " " Stand with two wood screws 1 in., No. 12
241620	17639	Foot Lifter Lifting Lever Spring

## FEED DOGS

No.	Plate	Name
212647	17605	Feed Dog, for 241527 to 241529, 241560 and 241565
212649	17605	Feed Dog, for 241560 and 241565
213920	17650	" " " 241615 to 241617, 241650, 241657 to 241660, 241667 and 241668
221232	17650	Feed Dog, for 241659 and 241660
221234	17650	" " " 241971, 241972, 241974 to 241976, 241978, 241980 and 241983

## HONING DEVICE

259418	17020	Base with two 260772
259419	17020	" 259418 with 674D, 721D, 259274 to 259277, 350373J, 350413C and 350425C
350425C	17020	Knife Clamping Screw
259270	17020	" Hone
259271	17020	" " Clamp
215057	17020	" " " Position Pin
200466B	17020	" " " Thumb Screw
259272	17020	" " Holder with two 215057
259273	17020	" " " 259272 with 259270, two each 200466B and 259271
259274	17020	Knife Hone Holder Guide
259275	17020	" " " " Collar
721D	17020	" " " " " Set Screw
259276	17020	" " " " " Yoke
674D	17020	" " " " " "
		Hinge Screw
259277	17020	Knife Hone Holder Guide Collar Yoke
		Hinge Screw Bushing
350413C	17020	Knife Hone Holder Guide Collar Yoke
		Hinge Screw Bushing Set Screw
350373J	17020	Knife Hone Holder Guide Thumb Set Screw
260772	17020	Knife Position Pin
259420	17020	Honing Device (for trimming knives with pilot) complete, Nos. 259273, 259419 and Form 2467W

## KNIVES

No.	Plate	Name
241570	17616	Knife
241571	17616	"
241572	17616	"
241573	17616	"
241574	17616	"
241575	17616	"
241576	17616	"
241577	17616	"

## KNIFE GRINDER

206977	17621	Emery Wheel, 2 in. diameter
206962	17621	" " Driving Shaft
201510H	17621	" " " " Nut
204101	17621	" " " " Washer
206963	17621	" " " " Pulley with two 200403C
200403C	17621	Emery Wheel Driving Shaft Pulley Set Screw
244040	17621	Emery Wheel Guard
200054E	17621	" " " Screw
206969	17621	" " Washer (paper)
206964	17621	Frame with two 54897
54897	17621	" Oil Cup
207029	17621	Knife Holder Slide Bracket with 200394C, 200457D and 201168D
200457D	17621	Knife Holder Slide Bracket Adjusting Screw
244073	17621	Knife Holder Slide Bracket Adjusting Screw Slide Plate
200161H	17621	Knife Holder Slide Bracket Adjusting Screw Slide Plate Screw
200394C	17621	Knife Holder Slide Bracket Set Screw
206967	17621	" " " " Shaft
207031	17621	" " " " Stop Collar with 200473B
200473B	17621	Knife Holder Slide Bracket Stop Collar Thumb Screw
201168D	17621	Knife Set Screw
207032	17621	Knife Grinder complete, Nos. 200161H, 201510H, 204101, 206962 to 206964, 206967, 206977, 207029, 207031, 244040, 244073, two each 200054E and 206969

## ROLLER PRESSERS

No.	Plate	Name
201951	17646	Roller Presser, 13/16 in. diam., 3/16 in. face (fine), with 1528J, 201699C, 350104C and twenty-eight 206417
203422	17646	Roller Presser Arm
203432	17646	" " " 203422 with 201951
241901	17646	" " " 203422 with 351815
351815	17646	" " " 13/16 in. diam., 1/8 in. face (fine) (for use with beveled throat plates), with 1528J, 201699C, 350104C and twenty-eight 206417
241902	17646	Roller Presser Arm 203422 with 351817
351817	17646	" " " 13/16 in. diam., 7/32 in. face (fine) (for use with beveled throat plates), with 1528J, 201699C, 350104C and twenty-eight 206417
203426	17647	Roller Presser Arm
241903	17647	" " " 203426 with 351819
351819	17647	" " " 1-1/8 in. diam., 1/8 in. face (fine) (for use with beveled throat plates), with 1528J, 1766C, 50553C and twenty-four 16232
241904	17647	Roller Presser Arm 203426 with 351821
351821	17647	" " " 1-1/8 in. diam., 5/32 in. face (fine) (for use with beveled throat plates), with 1528J, 1766C, 50553C and twenty-four 16232
241908	17647	Roller Presser Arm 203426 with 351823
351823	17647	" " " 1-1/4 in. diam., 5/32 in. face (fine) (for use with beveled throat plates), with 1528J, 1766C, 50553C and twenty-four 16232
23508E	17645	Roller Presser Arm Bracket Position Collar with 200362C
200117F	17645	Roller Presser Arm Bracket Position Collar Position Screw
200362C	17645	Roller Presser Arm Bracket Position Collar Set Screw
202554	17645	Roller Presser Arm Bracket Spring
202559	17645	" " " " " Stop
200141P	17645	" " " " " " Screw
200090D	17645	Roller Presser Arm Screw
206417	17646	" " " Ball, 1/16 in. diameter
16232	17647	" " " 3/32 in. diameter
201699C	17646	" " " Cone
1766C	17647	" " " "
202557	17645	" " " Bar
50553C	17647	" " " Hinge Screw
350104C	17646	" " " " "
1528J	17646	" " " " Nut



## ROLLER PRESSERS

No.	Plate	Name
233843	17645	Roller Presser and Bar complete, Nos. 200096D, 200117F, 202557 to 202559, 203432, 233807, 235088 and two 200141F
NO BACK ROLLER PRESSERS		
351848	17648	Roller Presser, 13/16 in. diam., 1/8 in. face (fine), with 1528J, 201699C, 350104C and twenty-eight 206417
351850	17648	Roller Presser, 13/16 in. diam., 3/16 in. face (fine), with 1528J, 201699C, 350104C and twenty-eight 206417
351854	17648	Roller Presser, 1-1/4 in. diam., 1/8 in. face (fine), with 1528J, 1766C, 50553C and twenty-four 16232
351858	17648	Roller Presser, 1-1/4 in. diam., 1/4 in. face (fine), with 1528J, 1766C, 50553C and twenty-four 16232
351856	17648	Roller Presser, 1-1/4 in. diam., 3/16 in. face (fine), with 1528J, 1766C, 50553C and twenty-four 16232
241928	17648	Roller Presser Arm
241932	17648	" " "
233807	17645	" " " Bracket
235088	17645	" " " " Position Collar with 200362C
200117F	17645	Roller Presser Arm Bracket Position Collar Position Screw
200362C	17645	Roller Presser Arm Bracket Position Collar Set Screw
202558	17645	Roller Presser Arm Bracket Spring
202559	17645	" " " " " " Stop
200141F	17645	" " " " " " " Screw
200096D	17645	Roller Presser Arm Screw
206417	17646	" " " Ball, 1/16 in. diameter
16232	17647	" " " 3/32 in. diameter
201699C	17646	" " " Cone
1766C	17647	" " " "
202557	17645	" " " Bar
50553C	17647	" " " Hinge Screw
350104C	17646	" " " "
1528J	17646	" " " " Nut
62850	17648	" " " Ratchet Spring Stop
62853	17648	" " " " " "
241930	17648	" " " " " "
		Bracket
62851	17648	Roller Presser Ratchet Spring Stop Bracket
62852	17648	Roller Presser Ratchet Spring Stop Bracket 62851 with 665J and 62850

## ROLLER PRESSERS

No.	Plate	Name
62854	17648	Roller Presser Ratchet Spring Stop Bracket 62851 with 665J and 62853
350184E	17648	Roller Presser Ratchet Spring Stop Screw Bracket Screw
665J	17648	Roller Presser Ratchet Spring Stop Screw
241929	17648	Roller Presser (no back) complete, Nos. 62852, 241928, 350184E and 351848
241931	17648	Roller Presser (no back) complete, Nos. 665J, 62850, 241928, 241930, 350184E and 351850
241933	17648	Roller Presser (no back) complete, Nos. 62854, 241932, 350184E and 351854
241934	17648	Roller Presser (no back) complete, Nos. 62854, 241932, 350184E and 351856
241935	17648	Roller Presser (no back) complete, Nos. 62854, 241932, 350184E and 351858
241941	17648	Roller Presser and Bar complete, Nos. 200096D, 200117F, 202557 to 202559, 233807, 235088, 241934 and two 200141F

## THROAT PLATES

## FOR MACHINE NO. 51w55

		Nos. 241527 to 241529, for 212637
241527	17605	Throat Plate, 53 needle hole, for needle sizes 12 and 13, with 241801, 241802, 350161E and 350264E, trims opposite the needle and .045, .060 and .085 in. to right of seam (has elongated screw holes)
241528	17605	Throat Plate, 53 needle hole, for needle sizes 12 and 13, with 241801, 241802, 350161E and 350264E, trims opposite the needle and .045, .060 and .085 in. to right of seam (has counter-sunk screw holes)
241529	17605	Throat Plate, 56 needle hole, for needle sizes 10 and 11, with 241801, 241802, 350161E and 350264E, trims opposite the needle and .035, .045 and .060 in. to right of seam (has elongated screw holes)
241560	17605	Throat Plate, 46 needle hole, for needle sizes 16 and 18, with 241801, 241802, 350161E and 350264E, trims opposite the needle and .060 and .085 in. to right of seam (has countersunk screw holes), for 212637 and 212638
241565	17605	Throat Plate, 46 needle hole, for needle sizes 16 and 18, with 241801, 241802, 350161E and 350264E, trims opposite the needle and .060 and .085 in. to right of seam (has elongated screw holes), for 212637 and 212638

## THROAT PLATES

No.	Plate	Name
241801	17605	Throat Plate Knife Follower, trims opposite the needle and .028, .035, .045, .060 and .085 in. to right of seam
350264E	17605	Throat Plate Knife Follower Hinge Screw
241802	17605	Throat Plate Knife Follower Spring
350161E	17605	" " " " " Screw

## FOR MACHINE NO. 51w56

241615	17650	Throat Plate, 50 needle hole, for needle sizes 14 and 15, with 221255, 221256, 350161E and 350264E, trims back of needle and .015, .025, .035 and .050 in. to right of seam (has elongated screw holes), for 213920
241616	17650	Throat Plate, 50 needle hole, for needle sizes 14 and 15, with 221255, 221256, 350161E and 350264E, trims back of needle and .015, .025, .035 and .050 in. to right of seam (has countersunk screw holes), for 213920
241617	17650	Throat Plate, 53 needle hole, for needle sizes 12 and 13, with 221255, 221256, 350161E and 350264E, trims back of needle and .015, .025, .035 and .050 in. to right of seam (has elongated screw holes), for 213920
241647	17650	Throat Plate with 221256, 241649, 350161E and 350264E, trims back of needle and .015, .025 and .035 in. to right of seam
241650	17650	Throat Plate complete, 50 needle hole, for needle sizes 14 and 15, trims back of needle and .015, .025 and .035 in. to right of seam, Nos. 241647, 241648 and two 200587D, for 213920
241971	17650	Throat Plate, 53 needle hole, for needle sizes 12 and 13, with 221256, 241959, 350161E and 350264E, trims back of needle and .025 in. to right of seam (for narrow knife) (has elongated screw holes), for 221254
241972	17650	Throat Plate (beveled), 53 needle hole, for needle sizes 12 and 13, with 221256, 241954, 350161E and 350264E, trims back of needle and .025 and .035 in. to right of seam (for narrow knife) (has elongated screw holes), for 221254

## THROAT PLATES

No.	Plate	Name
		Nos. 241974 to 241976, for 221254
241974	17650	Throat Plate (beveled), 53 needle hole for needle sizes 12 and 13, with 221256, 241973, 350161E and 350264E, trims back of needle and .035 in. to right of seam (has elongated screw holes)
241975	17650	Throat Plate (beveled), 50 needle hole, for needle sizes 14 and 15, with 221256, 241973, 350161E and 350264E, trims back of needle and .025 and .035 in. to right of seam (has elongated screw holes)
241976	17651	Throat Plate (beveled), 50 needle hole, for needle sizes 14 and 15, with 221256, 241973, 350161E and 350264E, trims back of needle and .015, .025 and .035 in. to right of seam (has countersunk screw holes)
241978	17651	Throat Plate (beveled) complete, 53 needle hole, for needle sizes 12 and 13, trims back of needle and .035 in. to right of seam, Nos. 241957, 241977 and two 200587D, for 221254
241980	17651	Throat Plate (beveled) complete, 53 needle hole, for needle sizes 12 and 13, trims back of needle and .025 in. to right of seam, Nos. 241977, 241979, and two 200587D, for 221254
241977	17651	Throat Plate Body (beveled), for trimming back of needle and .025 and .035 in. to right of seam
241648	17650	Throat Plate Knife Cutting Bar, 50 needle hole, for needle sizes 14 and 15, trims back of needle and .015, .025 and .035 in. to right of seam
241979	17651	Throat Plate Knife Cutting Bar (beveled) 53 needle hole, for needle sizes 12 and 13, trims back of needle and .025 in. to right of seam
241957	17651	Throat Plate Knife Cutting Bar (beveled) 53 needle hole, for needle sizes 12 and 13, trims back of needle and .035 in. to right of seam
221255	17650	Throat Plate Knife Follower, trims back of needle and .015, .025, .035 and .050 in. to right of seam
241973	17650	Throat Plate Knife Follower (beveled), trims back of needle and .015, .025 and .035 in. to right of seam
241649	17650	Throat Plate Knife Follower, trims back of needle and .015, .025 and .035 in. to right of seam
241954	17650	Throat Plate Knife Follower (beveled) (for narrow knife), trims back of needle and .025 and .035 in. to right of seam

## THROAT PLATES

No.	Plate	Name
241959	17650	Throat Plate Knife Follower (for narrow knife), trims back of needle and .025 in. to right of seam
350264E	17650	Throat Plate Knife Follower Hinge Screw
200587D	17650	Throat Plate Knife Follower Screw
221256	17650	" " " " Spring
350161E	17650	" " " " Screw

## FOR MACHINE NO. 51w57

241657	17652	Throat Plate, 53 needle hole, for needle sizes 12 and 13, with 241802, 241808, 350161E and 350264E, trims opposite the needle and .040, .050 and .060 in. to right of seam (has elongated screw holes), for 213920
241658	17652	Throat Plate, 50 needle hole, for needle sizes 14 and 15, with 241802, 241808, 350161E and 350264E, trims opposite the needle and .050, .060 and .075 in. to right of seam (has elongated screw holes), for 213920
241659	17652	Throat Plate, 53 needle hole, for needle sizes 12 and 13, with 241802, 241808, 350161E and 350264E, trims opposite the needle and .040 in. to right of seam (has countersunk screw holes), for 213920 and 221252
241660	17652	Throat Plate, 50 needle hole, for needle sizes 14 and 15, with 241802, 241808, 350161E and 350264E, trims opposite the needle and .050 in. to right of seam (has countersunk screw holes), for 213920 and 221252
241663	17652	Throat Plate with 241666, 241802, 350161E and 350264E, trims opposite the needle .040 and .050 in. to right of seam
241667	17652	Throat Plate complete, 53 needle hole, for needle sizes 12 and 13, trims opposite the needle and .040 and .050 in. to right of seam, Nos. 241663, 241664 and two 200587D, for 213920
241668	17652	Throat Plate complete, 50 needle hole, for needle sizes 14 and 15, trims opposite the needle and .050 in. to right of seam, Nos. 241663, 241665 and two 200587D, for 213920

## THROAT PLATES

No.	Plate	Name
241983	17652	Throat Plate (beveled), 50 needle hole, for needle sizes 14 and 15, with 241802, 241961, 350161E and 350264E, trims opposite the needle and .050 in. to right of seam (has elongated screw holes), for 221254
241664	17652	Throat Plate Knife Cutting Bar, 53 needle hole, for needle sizes 12 and 13, trims opposite the needle and .040 and .050 in. to right of seam
241665	17652	Throat Plate Knife Cutting Bar, 50 needle hole, for needle sizes 14 and 15, trims opposite the needle and .050 in. to right of seam
241666	17652	Throat Plate Follower, trims opposite the needle and .040 and .050 in. to right of seam
241808	17652	Throat Plate Knife Follower, trims opposite the needle and .040, .050, .060 and .075 in. to right of seam
241961	17652	Throat Plate Knife Follower (beveled), trims opposite the needle and .040, .050 and .060 in. to right of seam
350264E	17652	Throat Plate Knife Follower Hinge Screw
200587D	17652	Throat Plate Knife Follower Screw
241802	17652	" " " " Spring
350161E	17652	" " " " Screw

## WOOD BASE (Flat)

202630	17641	Auxiliary Bracket with 202614 and two wood screws 1 in., No. 12
202614	17641	Auxiliary Lifting Rod, 5 in. long, with 202456
*202456	17641	Auxiliary Lifting Rod Cap
202259	-----	Bed Hinge Plate
227493	17641	" " " 202259 with two wood screws 7/8 in., No. 12H
225589	17641	Machine Cushion (leather)
27130	17641	" Rest (leather)
12248	17641	" " with 27130 and two wood screws 1 in., No. 12
228224	17641	Wood Base with 12248, 202630, two each 227493, wood screws 2-1/2 in., No. 14, three wood screws 1-1/2 in., No. 10, R.H.B. and four 225589

## WOOD BASE (Oblique)

No.	Plate	Name
228356	17641	Base (wood) with two 227493, four 225589 and eight wood screws 1-1/2 in., No. 7

## OBSOLETE PARTS

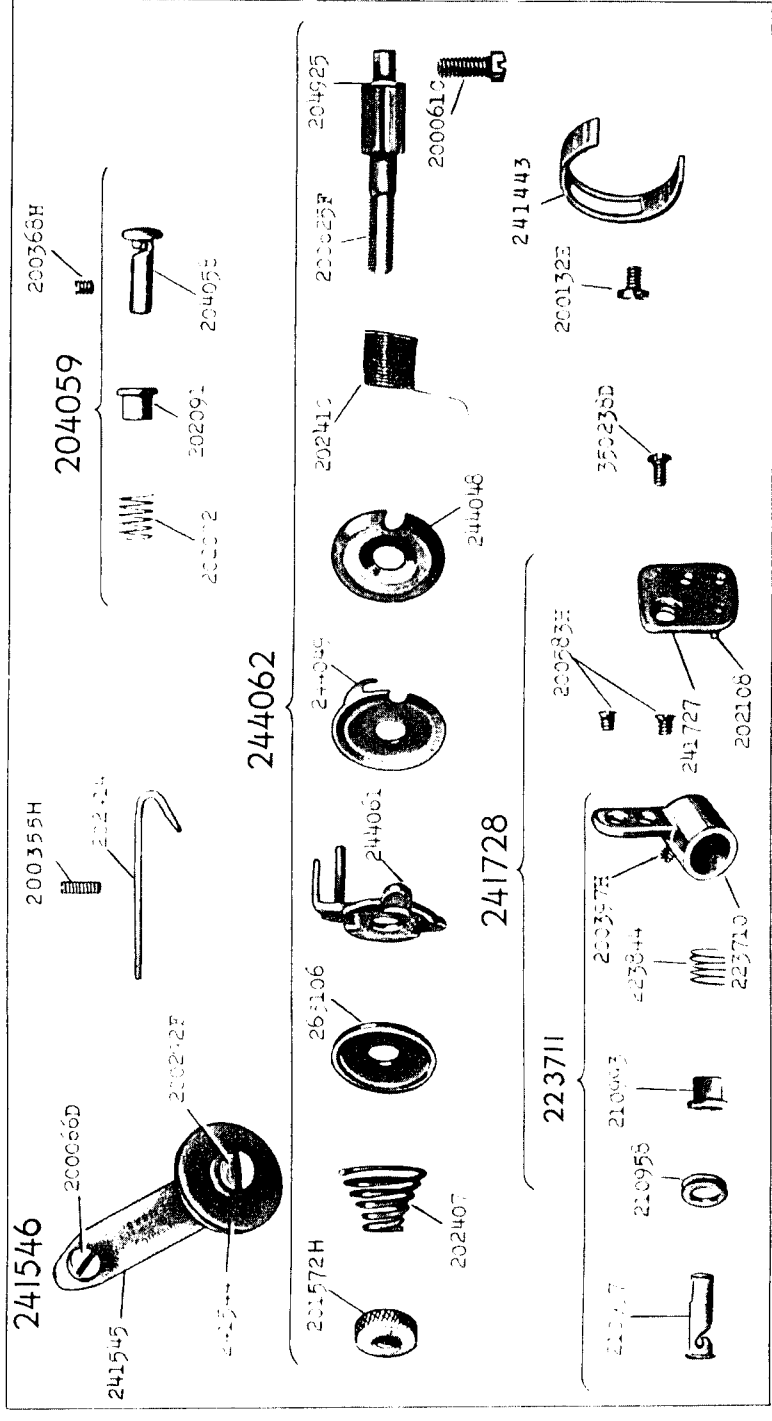
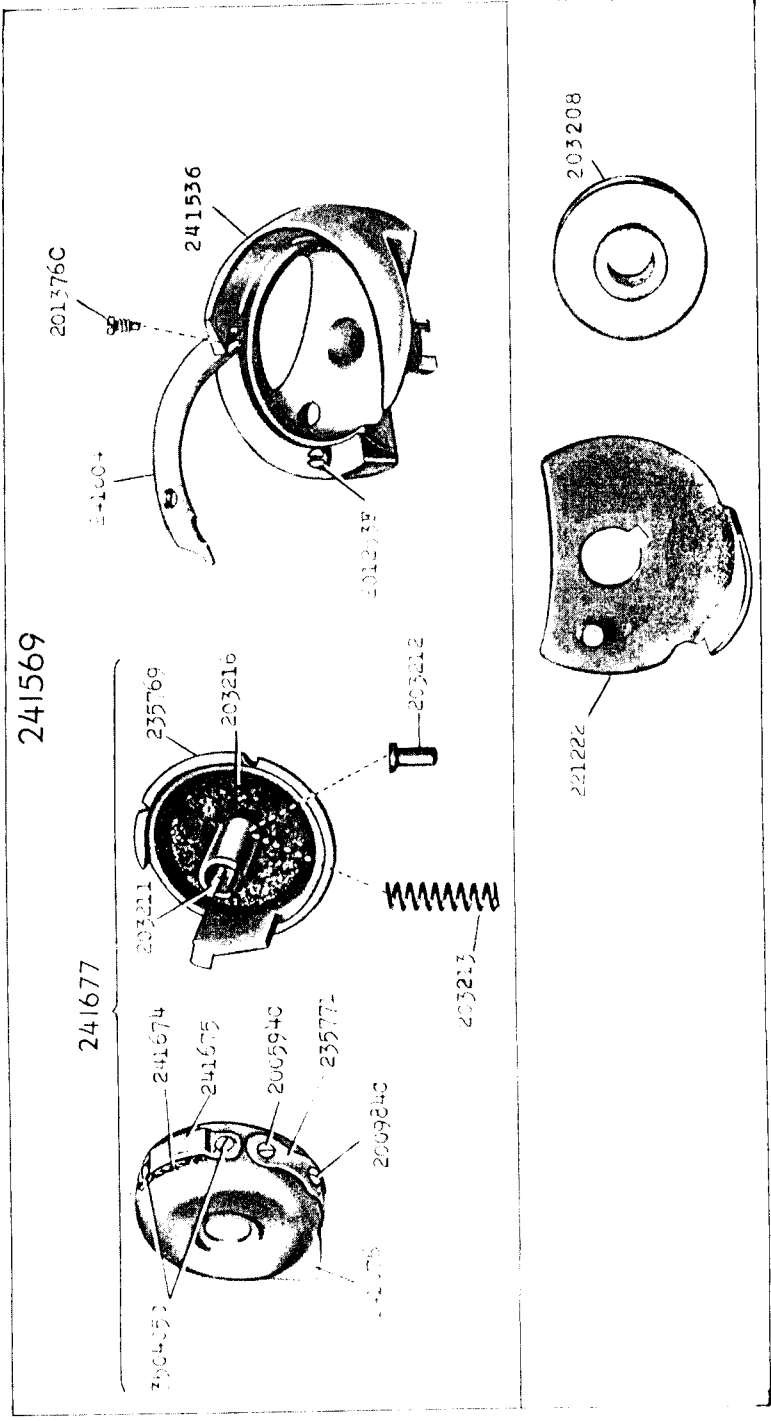
204357	-----	Guide Finger Clamp with 200103D and 200136C, for Machines Nos. 51w56 and 51w57
200103D	-----	Guide Finger Clamp Pinch Screw (obsolete), for 204357
200136C	-----	Guide Finger Clamp Screw (obsolete), for 204357
241506	-----	Hook Bevel Gear Socket, 14 teeth
234025	-----	" " Pinion, 28 teeth, with two 200378C
202378	-----	Presser Bar Spring, for Machine No. 51w55
202560	-----	Roller Presser Arm Bracket (swing)
241541	-----	Take-up Lever

## NUMERICAL LIST OF PARTS

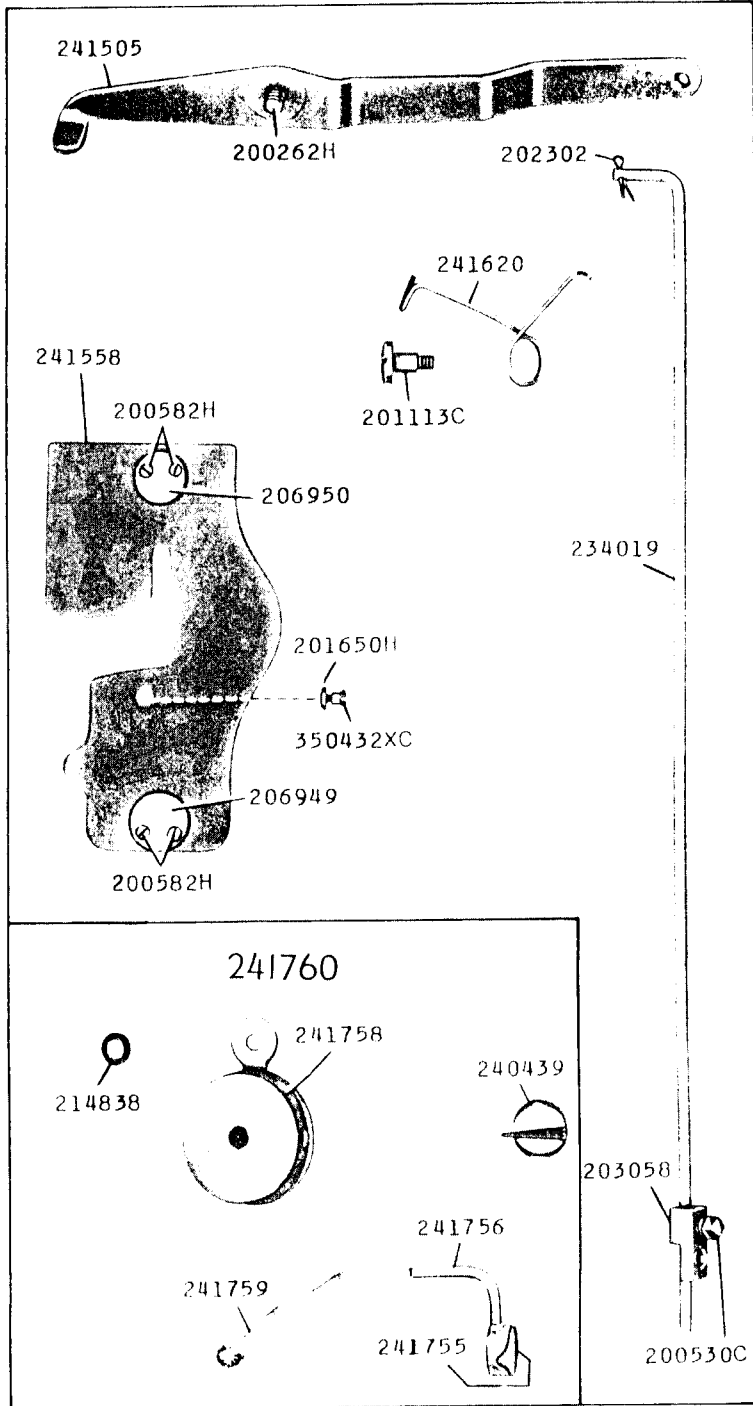
No.	Plate	Name
665J	17648	Roller Presser Ratchet Spring Stop Screw, for 62852, 62854 and 241931
674D	17020	Knife Hone Holder Guide Collar Yoke Hinge Screw
721D	17020	Knife Hone Holder Guide Collar Set Screw
1528J	17646	Roller Presser Hinge Screw Nut, for 201951, 351815, 351817, 351819, 351821, 351823, 351848, 351850, 351854, 351856 and 351858
1766C	17647	Roller Presser Ball Cone, for 351819, 351821, 351823, 351854, 351856 and 351858
2102	16615	Bobbin Winder Tension Disc, for 225462
4822	17646	Roller Presser Hinge Screw Nut Wrench
10554	17624	Arm Position Pin
12248	17641	Machine Rest with 27130 and two wood screws 1 in., No. 12, for 228224
13710	16615	Bobbin Winder Tension Spring, for 225462
16232	17647	Roller Presser Ball, 3/32 in. diam., for 351819, 351821, 351823, 351854, 351856 and 351858
27130	17641	Machine Rest (leather), for 12248
36737	17653	Guide Finger Disengaging Lever Friction Ball, 1/8 in. diam., for 241625
41400	17620	Machine Rest Pin (wood)
50553C	17647	Roller Presser Hinge Screw, for 351819, 351821, 351823, 351854, 351856 and 351858
54897	17621	Knife Grinder Frame Oil Cup, for 206964
62850	17648	Roller Presser Ratchet Spring Stop, for 62852 and 241931
62851	17648	Roller Presser Ratchet Spring Stop Bracket, for 62852 and 62854
62852	17648	Roller Presser Ratchet Spring Stop Bracket 62851 with 665J and 62850, for 241929
62853	17648	Roller Presser Ratchet Spring Stop, for 62854
62854	17648	Roller Presser Ratchet Spring Stop Bracket 62851 with 665J and 62853, for 241933 to 241935
120342	17620	Oiler (copper plated) with 120343
120343	17620	" Spout, 3-1/2 in. long, for 120342
200008C	17628	Feed Dog Lever Post Support Screw
200008C	17642	Hook Post Screw
200010E	17624	Arm Base Screw
200010E	17624	" Screw
200024C	17628	Feed Dog Lever Post Screw
200026D	17653	Knife Bar Position Guide Pinch Screw, for 200890



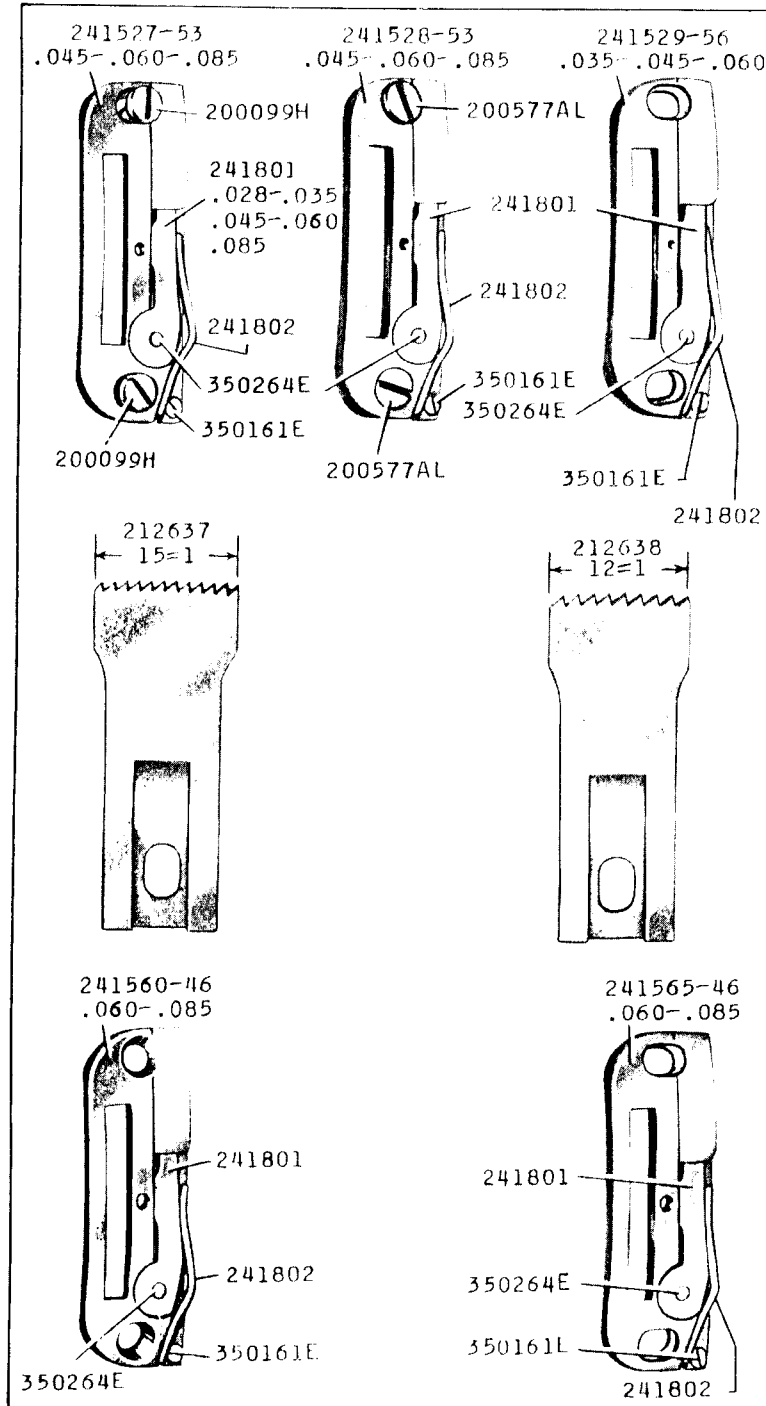




17604 - 3/8

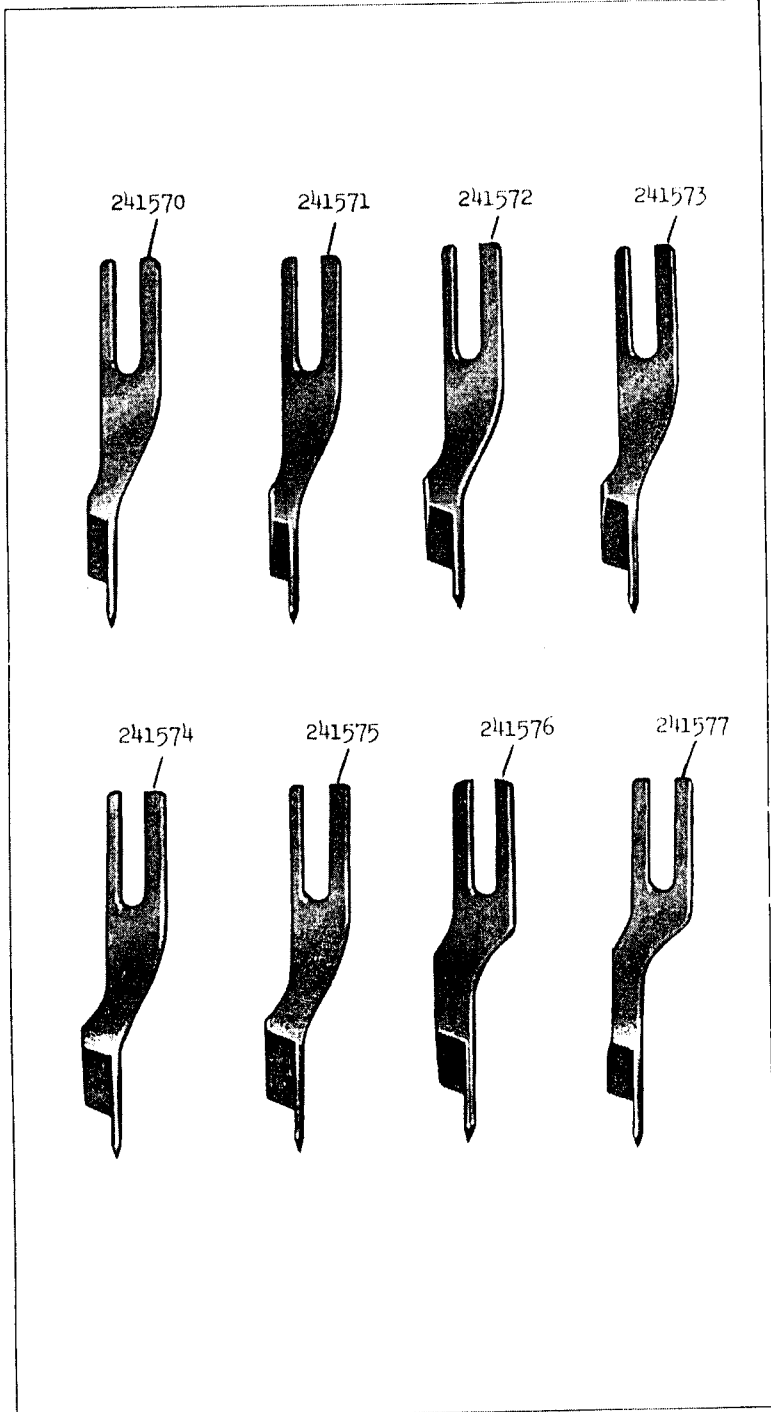


17605

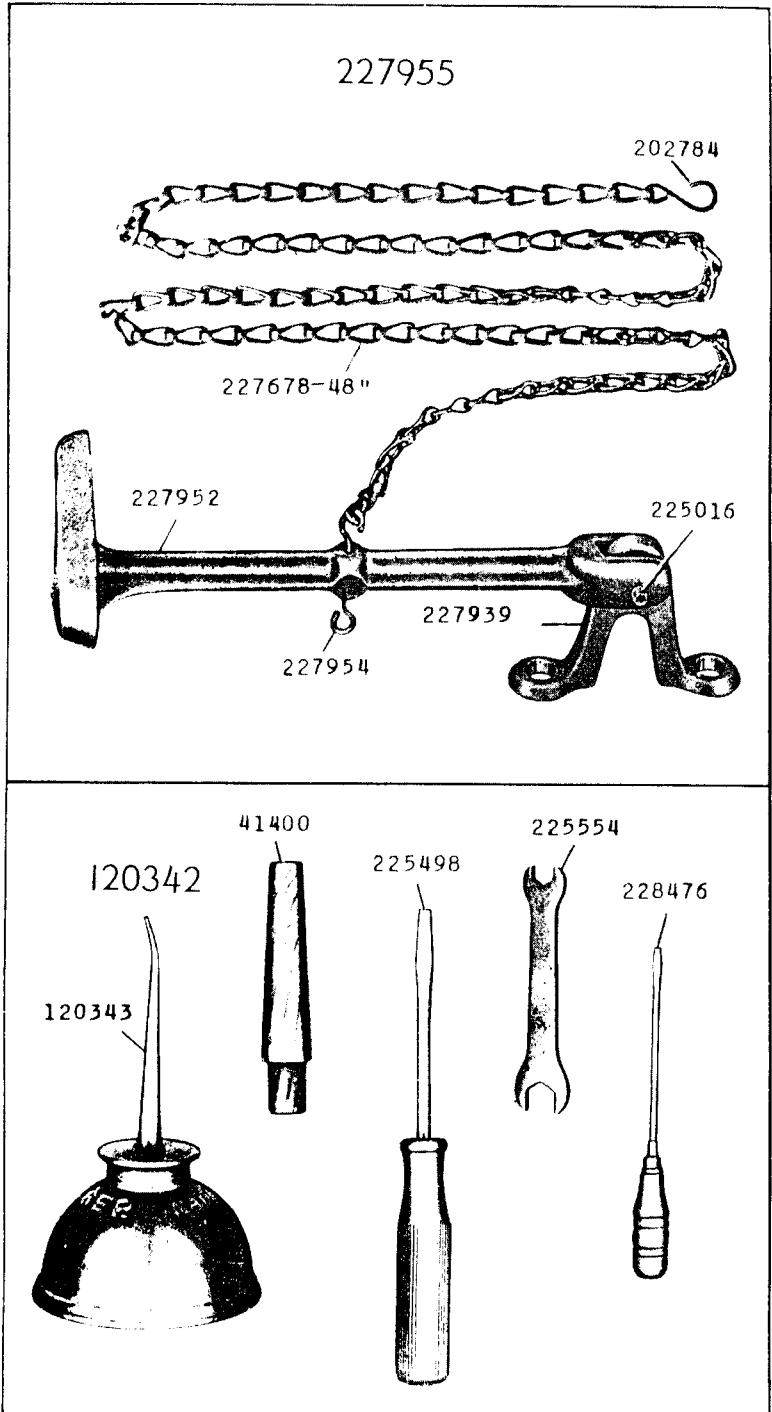




17616

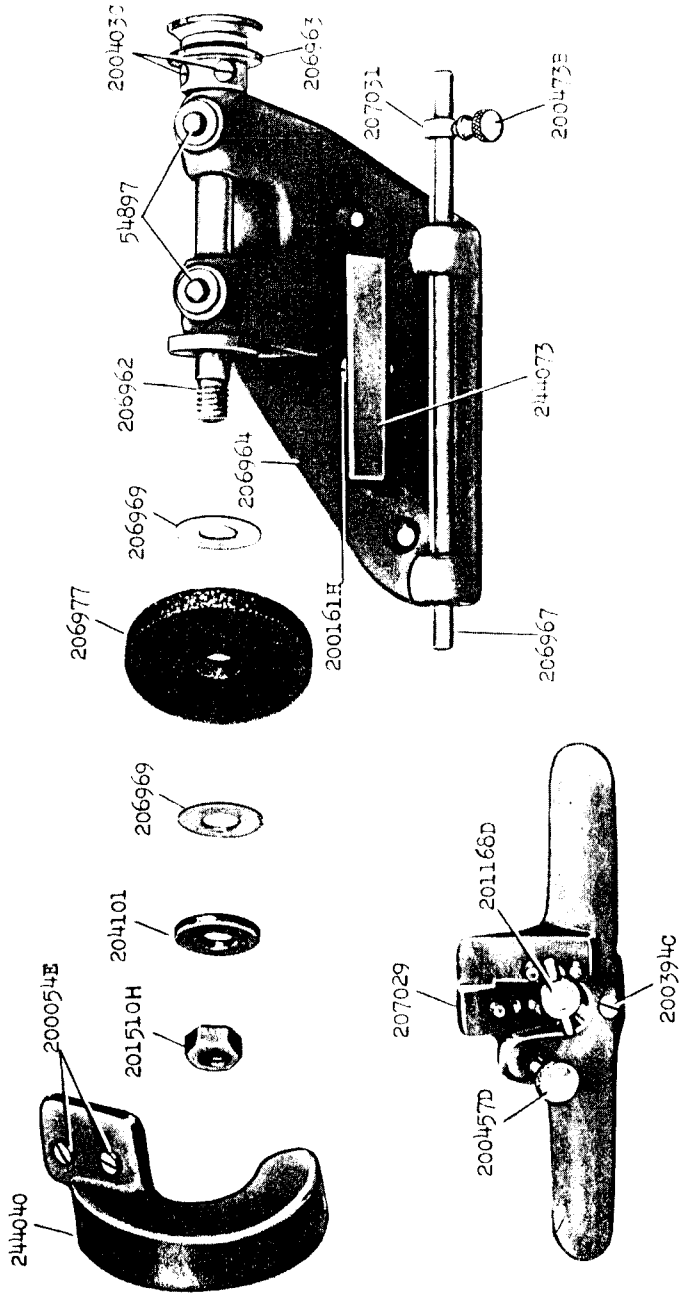


17620 - 1/3

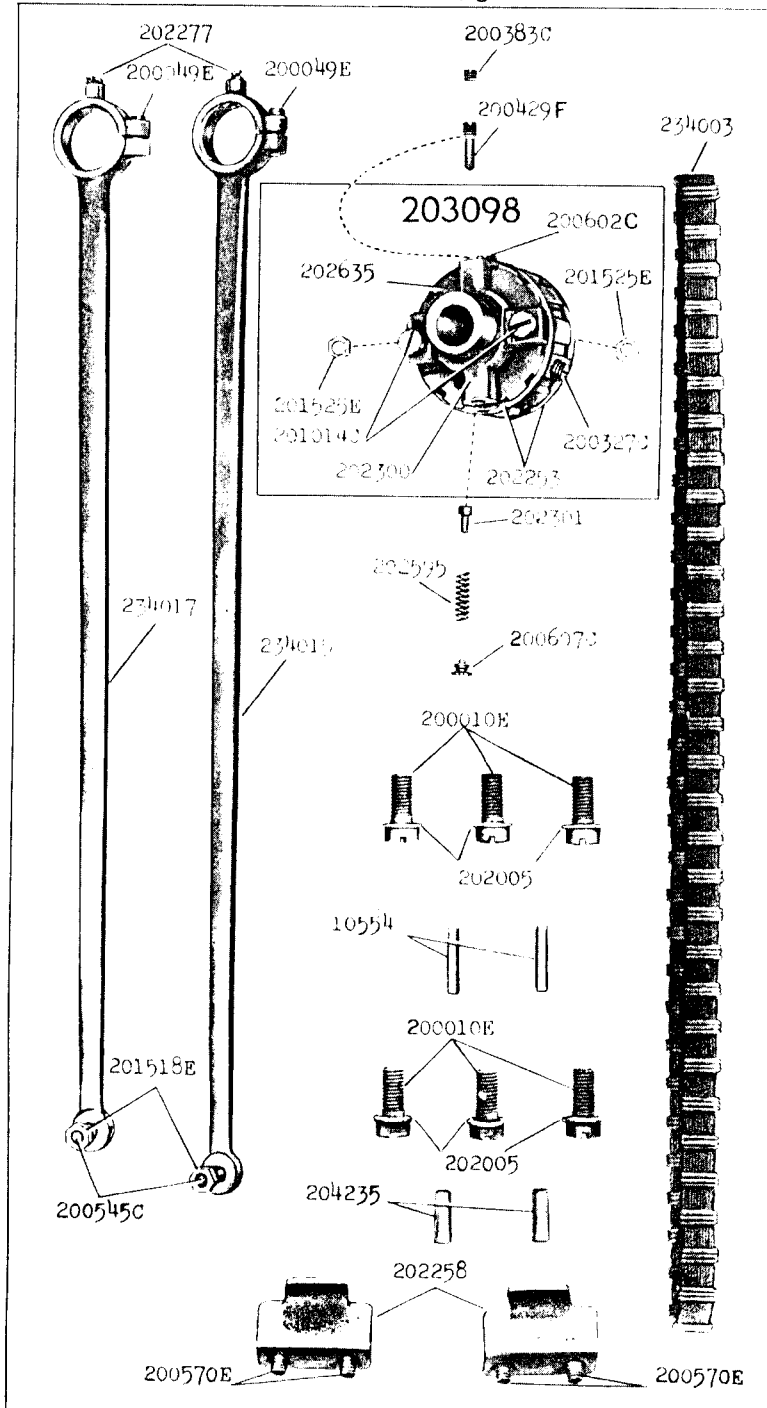


17621 - 1/2

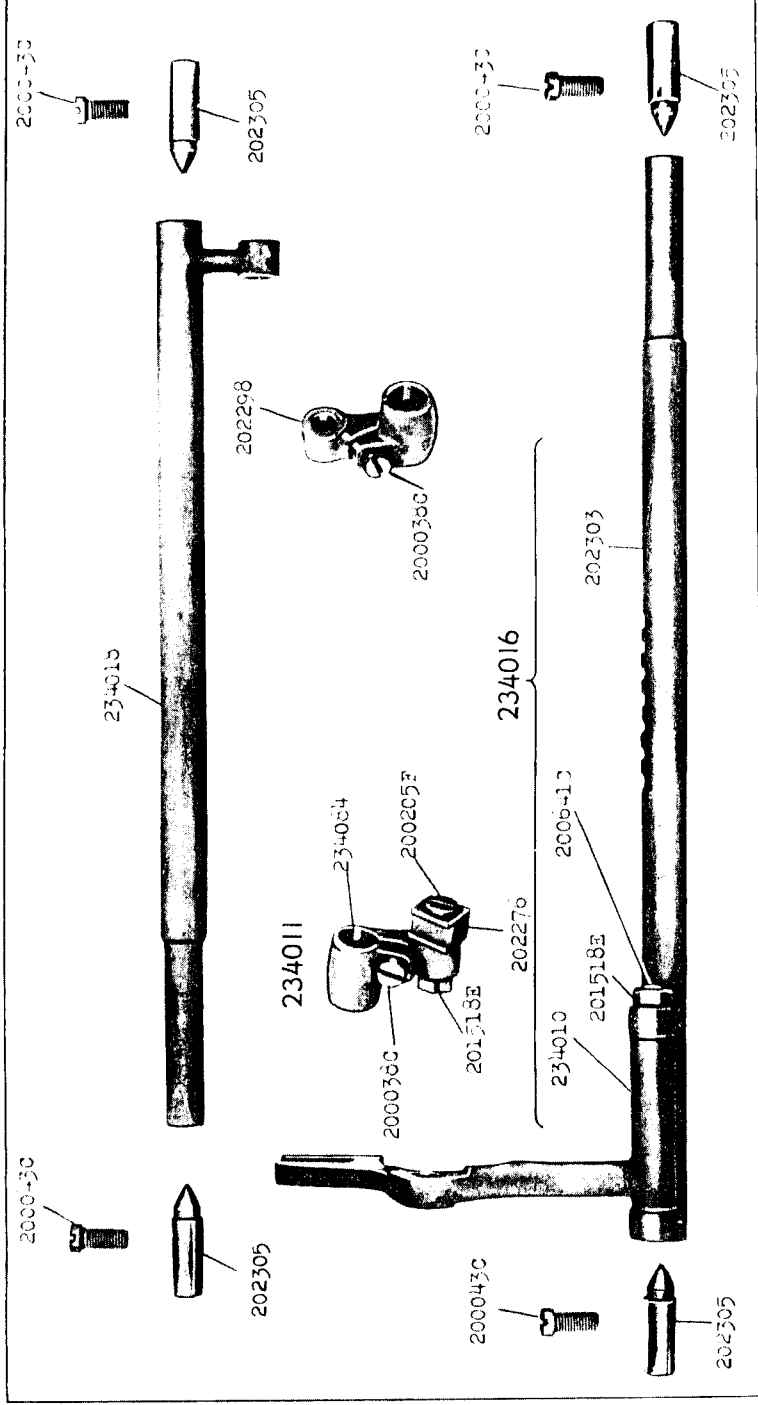
207032



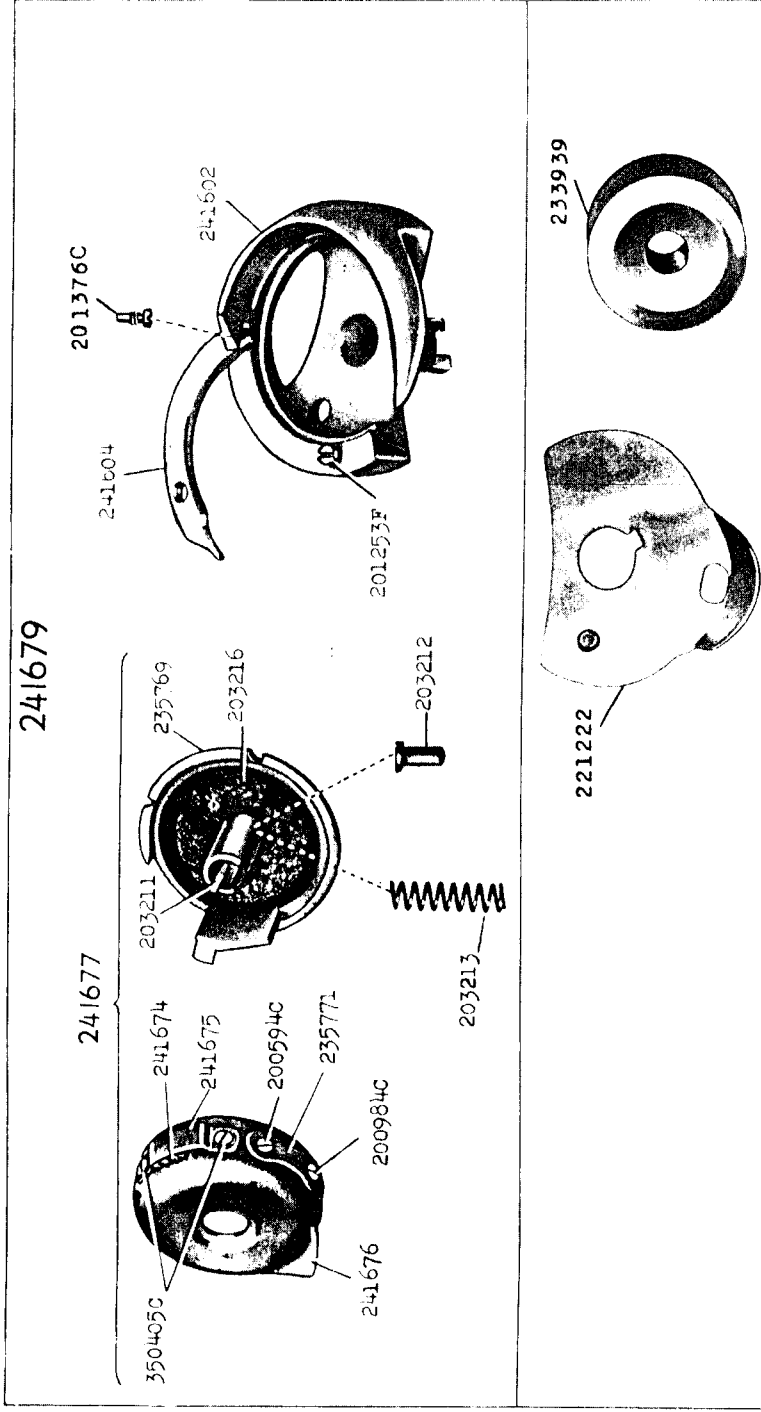
17624 - 1/3



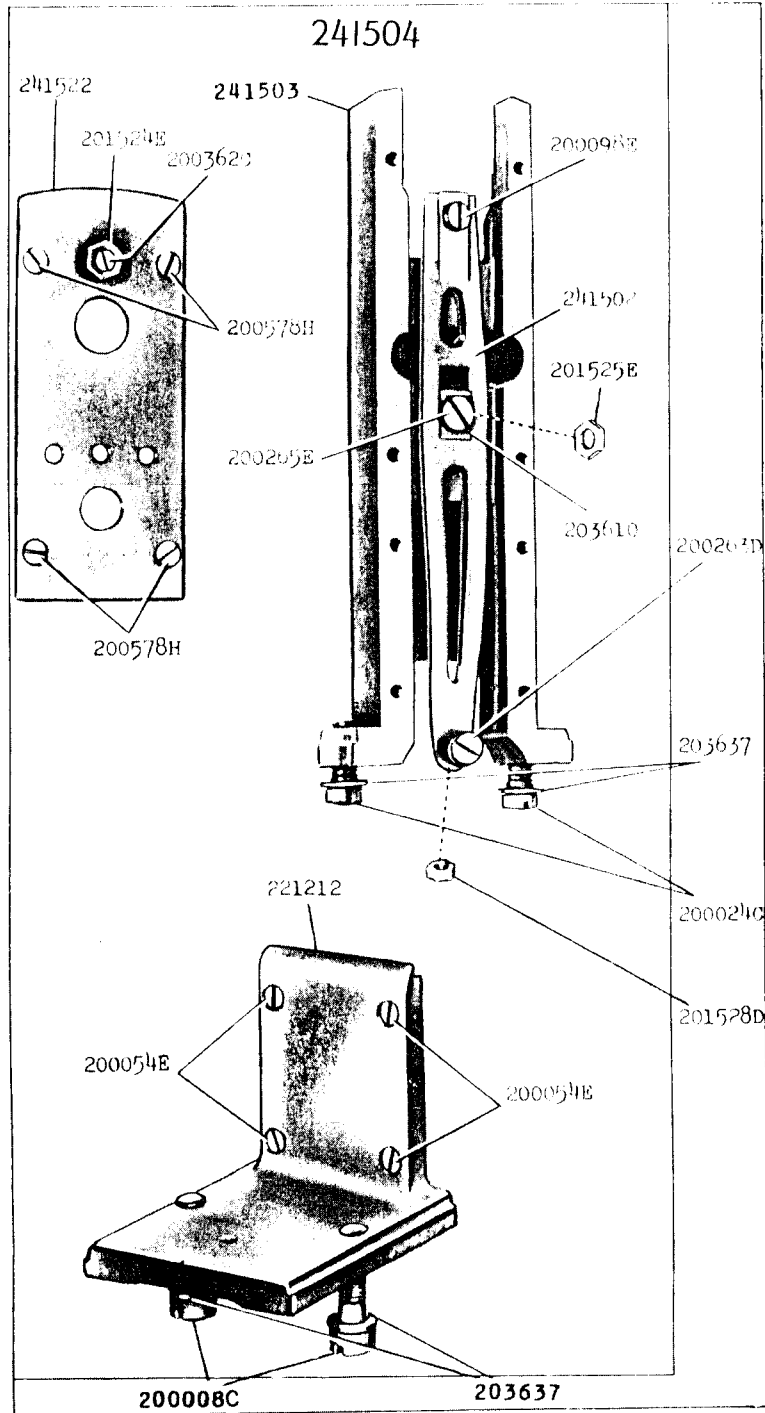
17625 - 1/2



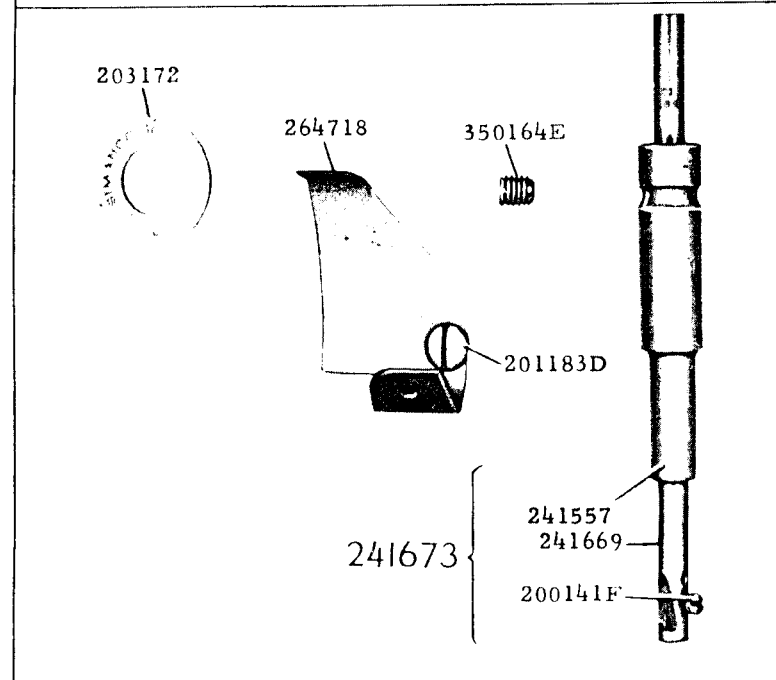
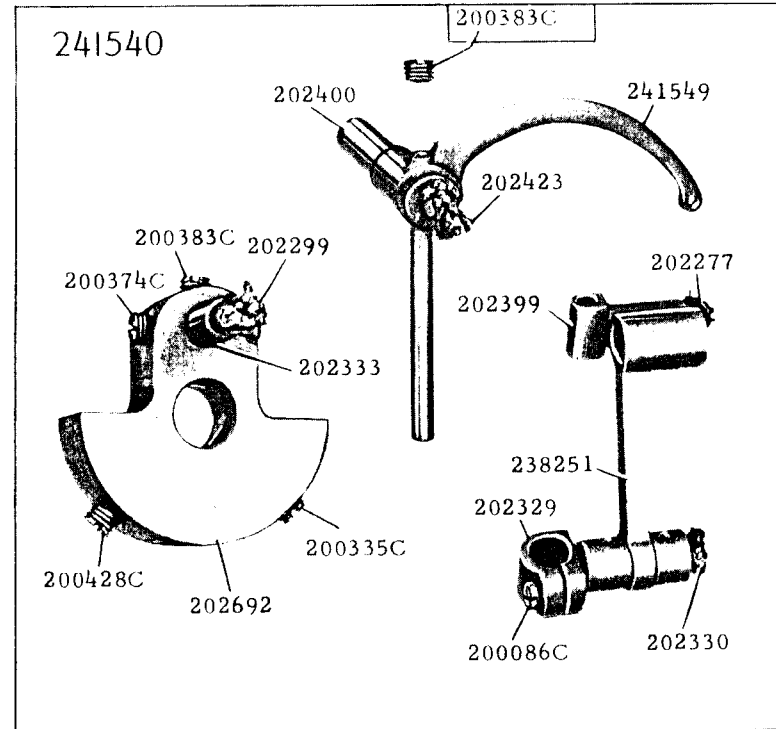
17627



17628 - 1/2

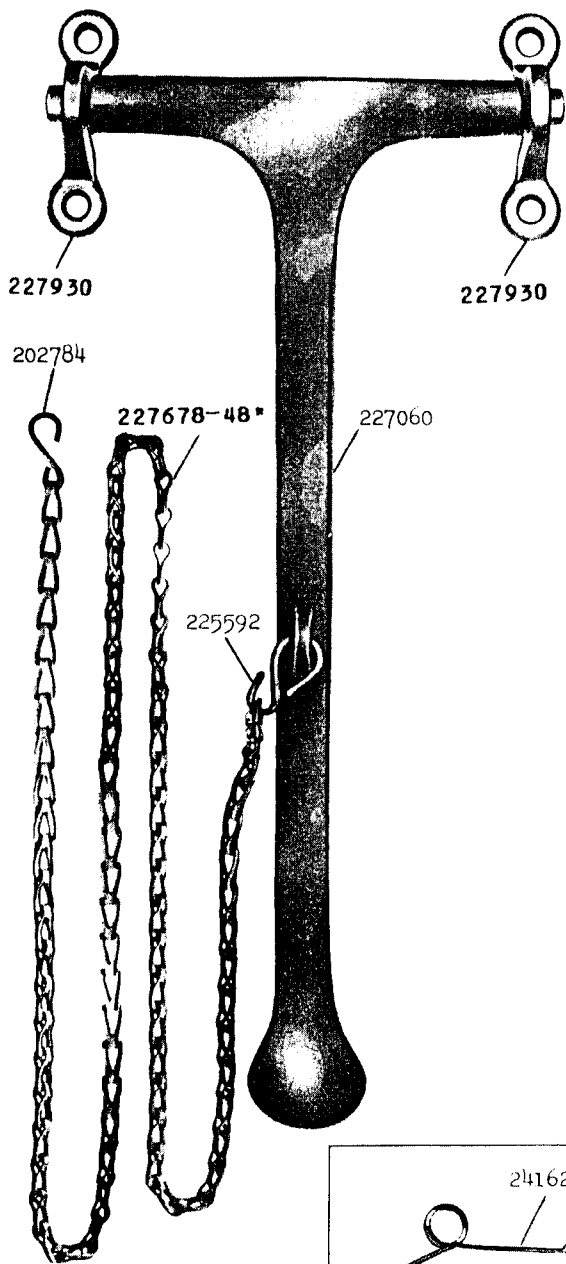


17631 - 2/3

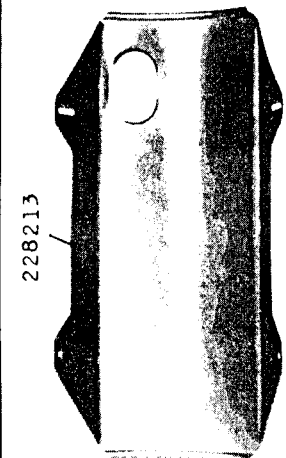
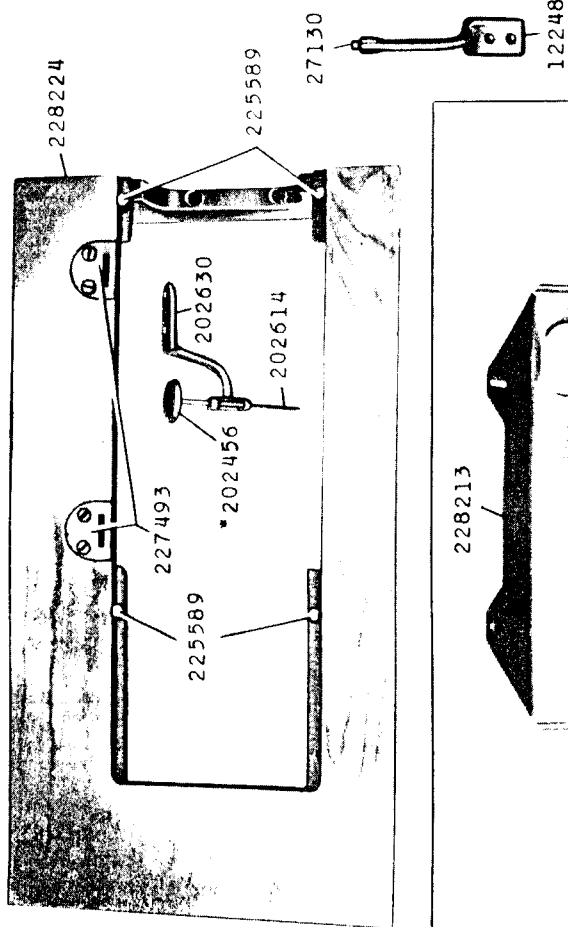
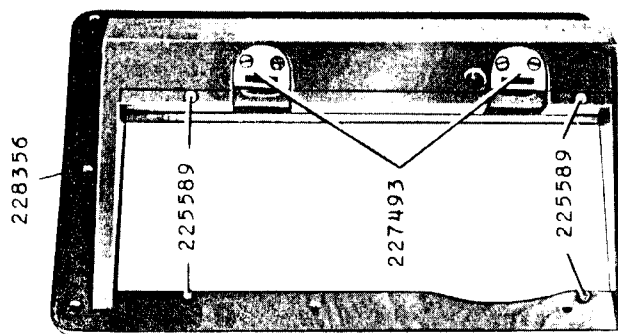


17639 - 1/3

227102

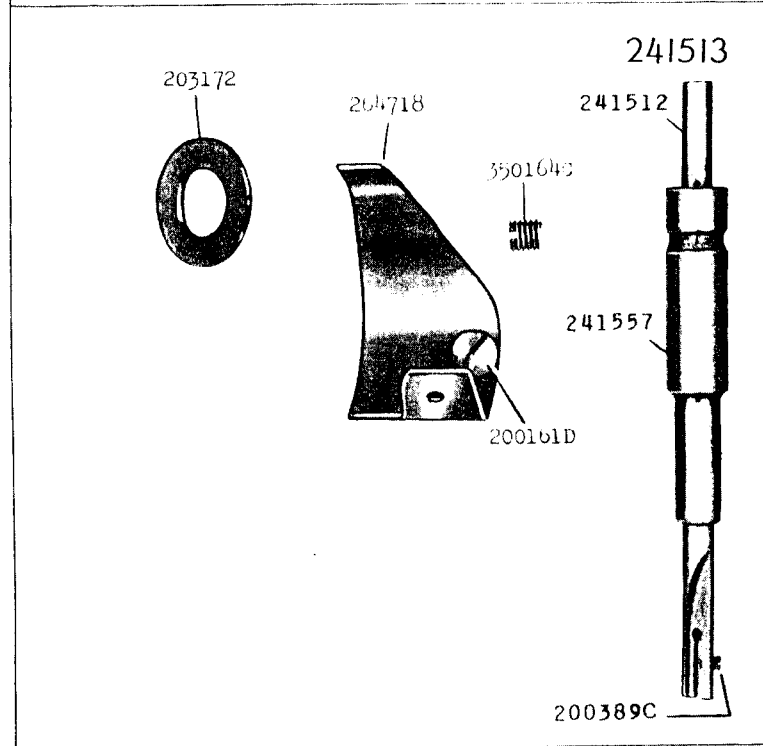
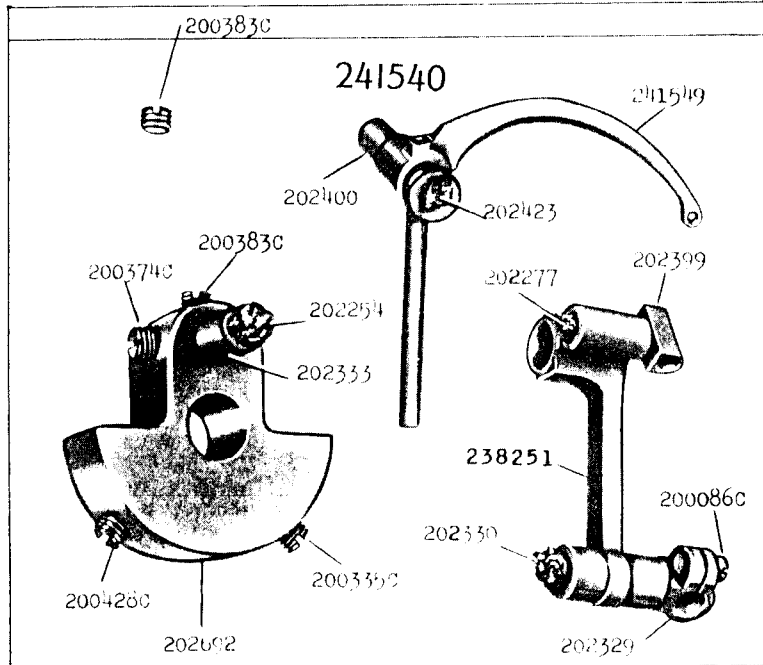


17641 - 1/7

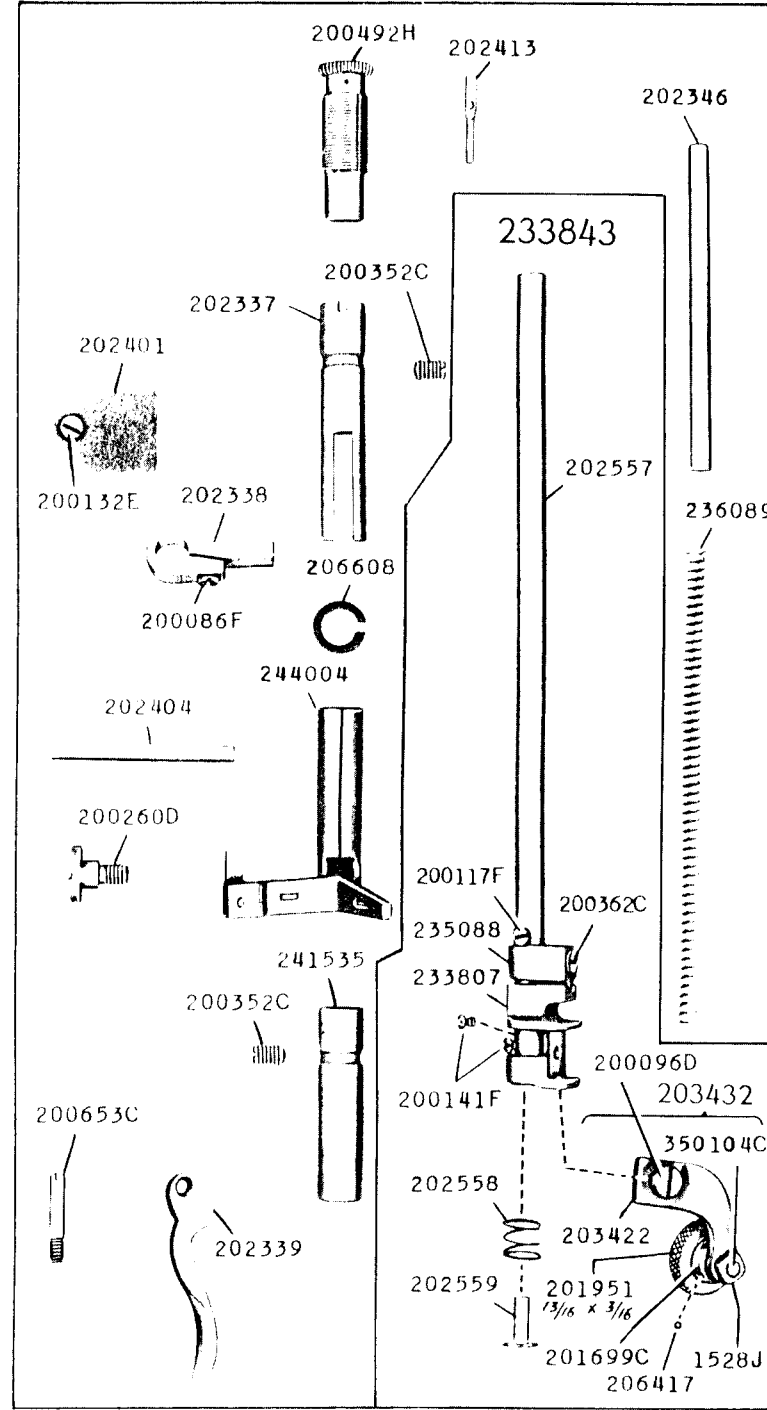




17644 - 2/3



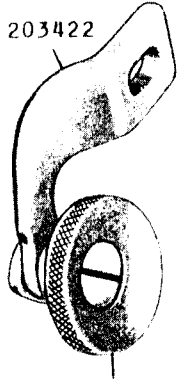
17645 - 1/2



17646

241901

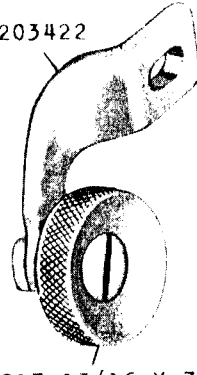
203422



351815-13/16 X 1/8

241902

203422



351817-13/16 X 7/32

203432

203422



201951-13/16 X 3/16

1528J



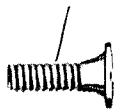
201699C



206417



350104C



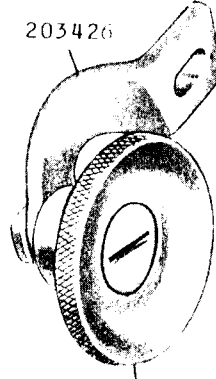
4822



17647

241903

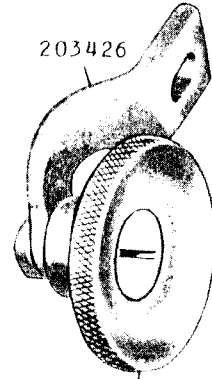
203426



351819-1 1/8 X 1/8

241904

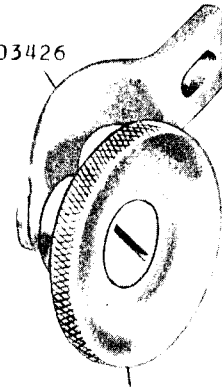
203426



351821-1 1/8 X 5/32

241905

203426



351823-1 1/4 X 5/32

1528J



16232



1766C

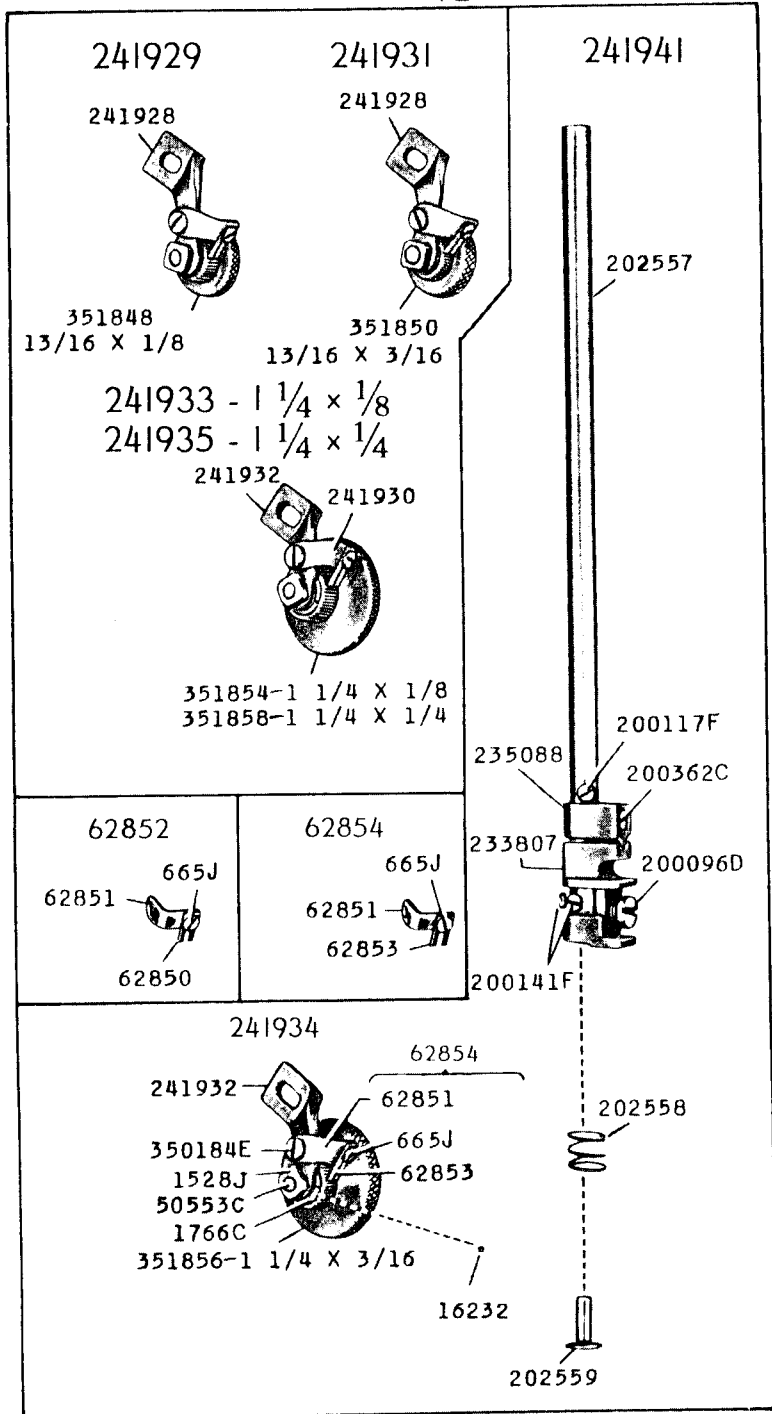


50553C

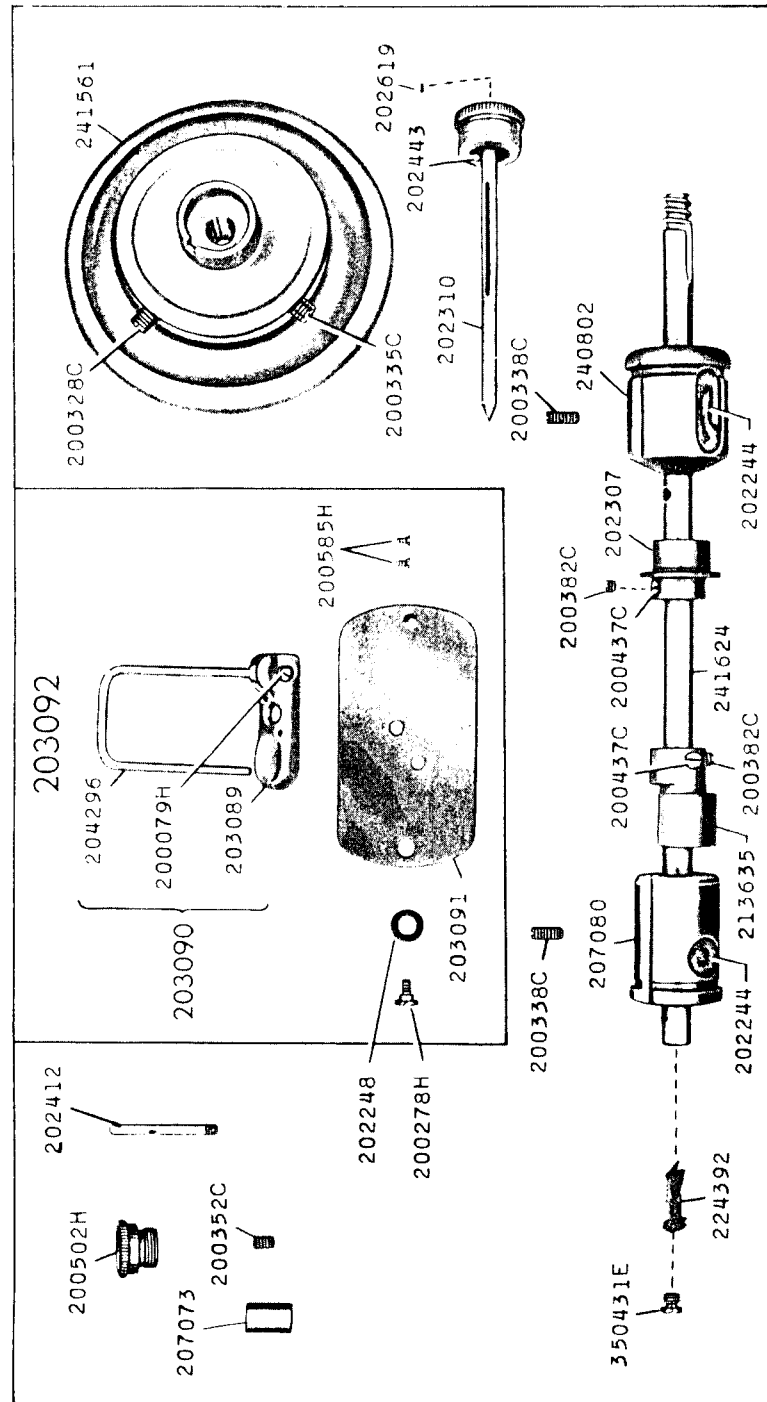




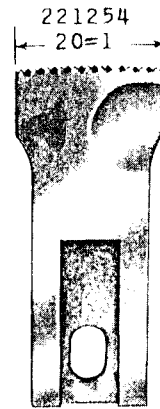
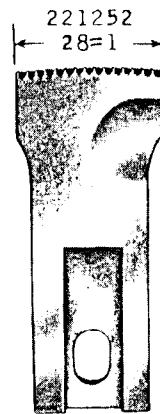
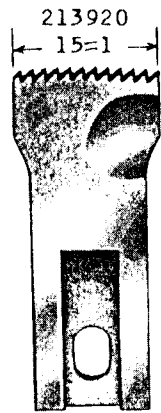
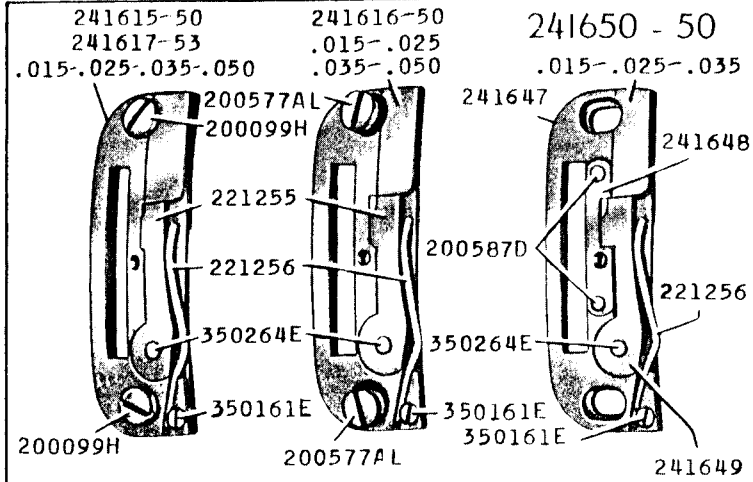
17648 - 1/2



17649 - 1/3



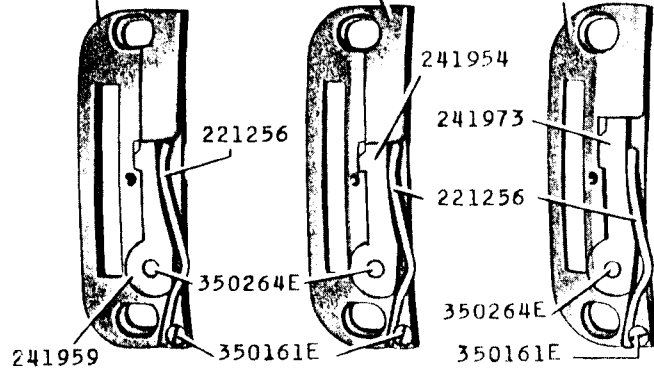
17650



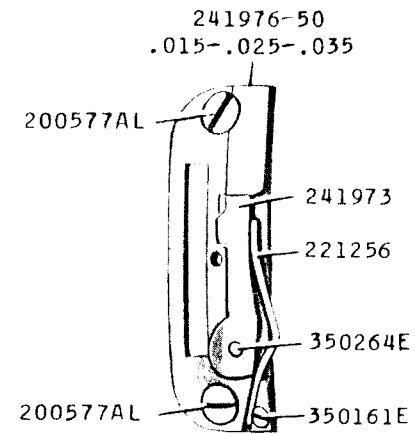
241971-53  
.025

241972-53  
.025-.035

241974-53  
.035  
241975-50  
.025-.035

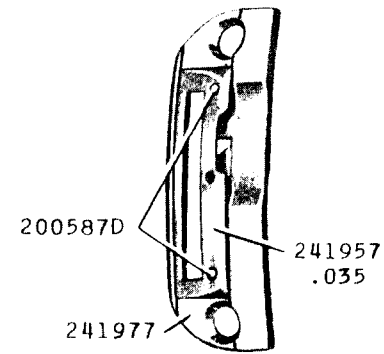


17651



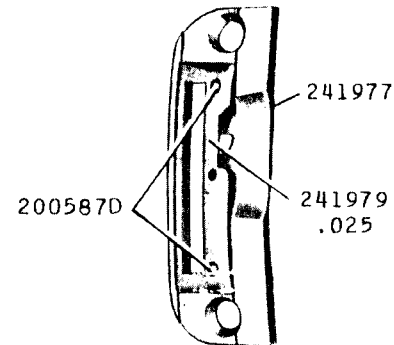
241978-53

.035

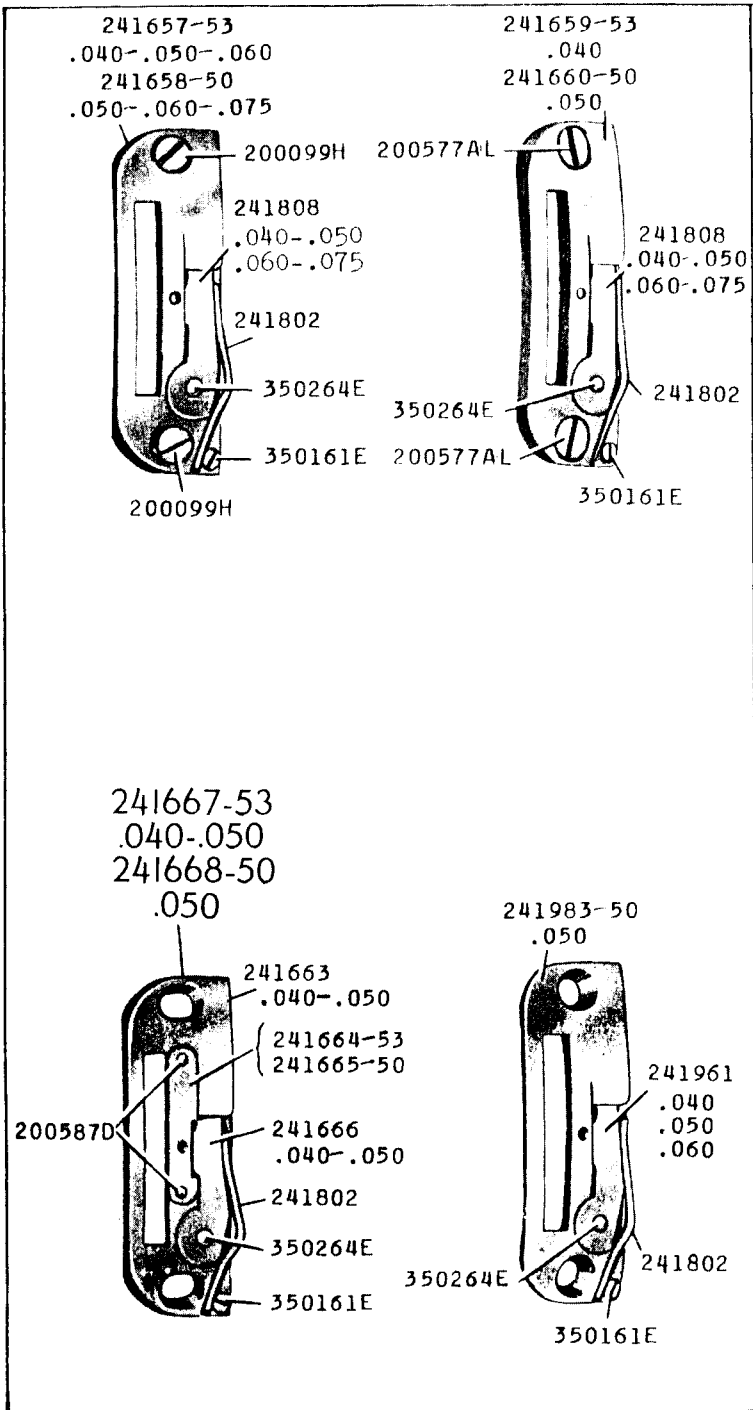


241980-53

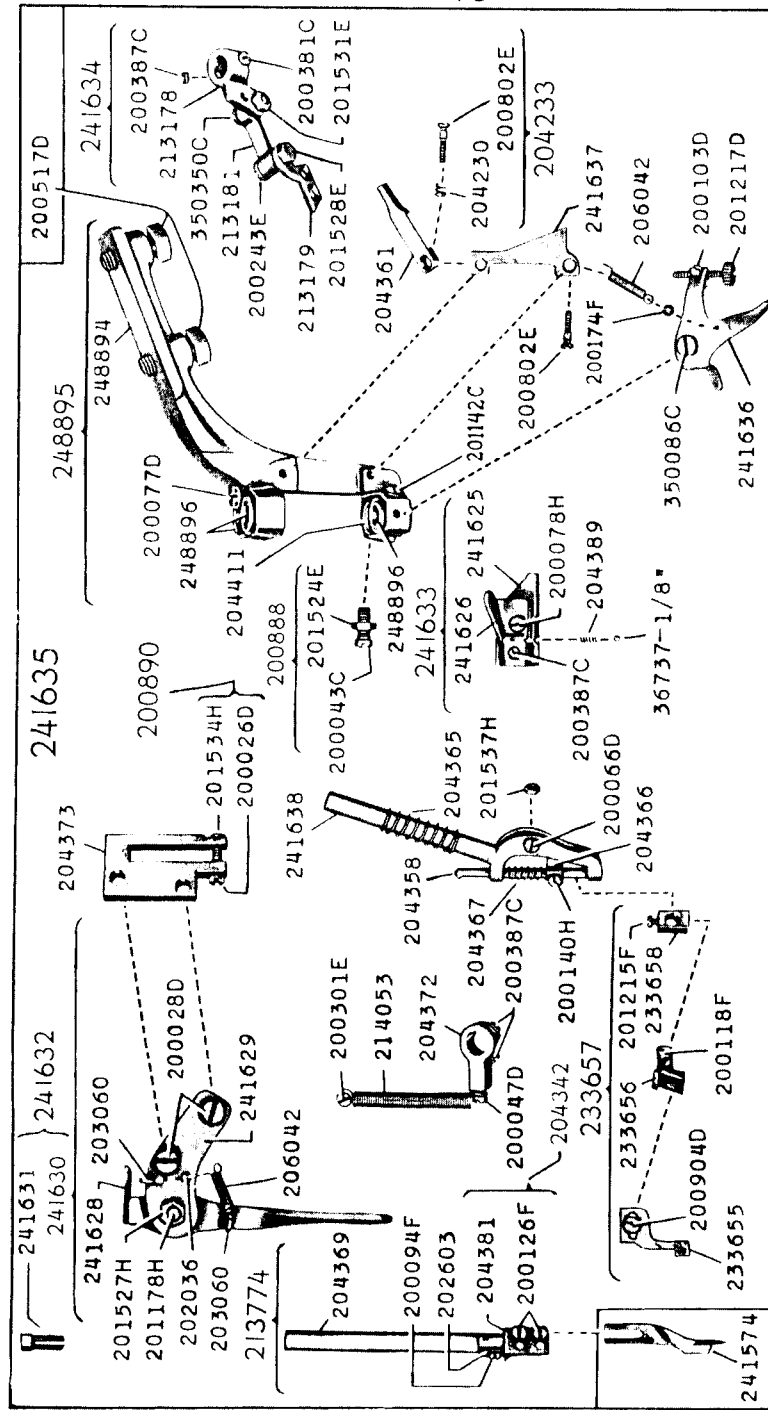
.025



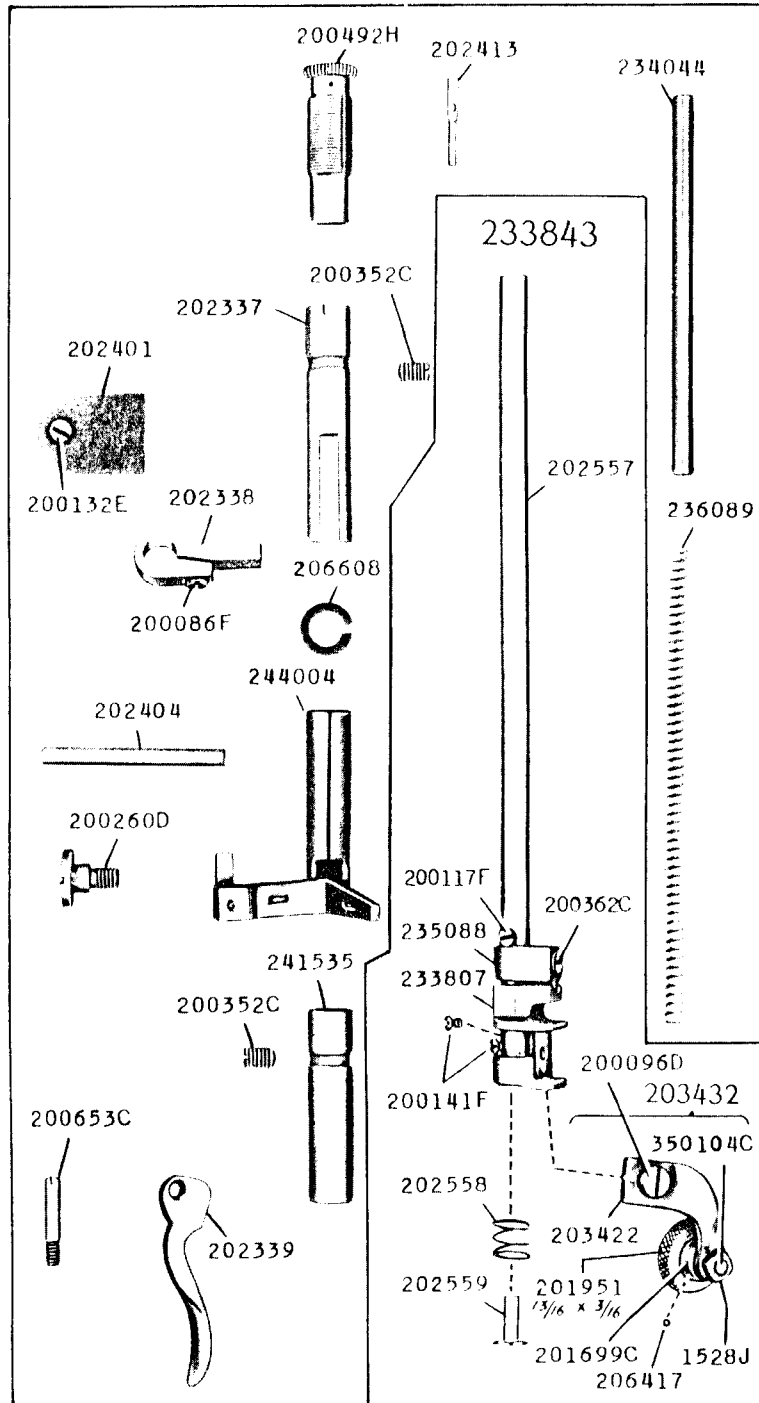
17652



17653 - 1/3



17654 - 1/2



17655 - 1/2

