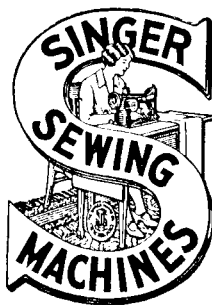


SINGER
52W18,W19

LIST OF PARTS



MACHINES Nos. 52w18 and 52w19

THE SINGER MANUFACTURING COMPANY

INDEX

	PAGE
ACCESSORIES	27
BOBBIN WINDER	27
FOOT LIFTER	28
MACHINE No. 52w18	7
" " 52w19	17
MISCELLANEOUS PARTS	29
NUMERICAL LIST OF PARTS	31
THREAD UNWINDER	28

Instructions for Ordering

In ordering from this list, use **ONLY** the **PART** number in the **FIRST** column.

The number stamped on a Sewing Machine Part is the number of the Single Part only, except when the part includes Set Screws, Clamping Screws, Studs and Rollers Spun on, Small Wires riveted, or Parts soldered together, etc., which it is necessary to furnish in combination.

Every combination of parts sent out has its specific number which, although not stamped on Parts (except in above case), must be used when ordering the combination.

Each number always indicates the **SAME PART** in whatever list it appears, or for whatever Machine.

The letters after some of the numbers indicate the style of finish only, as follows:

- A. Hardened, Polished and Plated.
- B. Polished and Plated.
- C. Hardened only.
- D. Polished only.
- E. Soft, not polished.
- F. Hardened and Polished.
- H. Blued.
- J. Nickle Plated only
- R. Merlized.
- Y. Black Nickle Plated only.

These letters **MUST BE USED** when they appear in the list and **AFTER** the number, as in the list.

In this series

200001 to 201500 and 350001 to 351500 are Screw Numbers.
201501 to 201800 and 351501 to 351800 are Nut Numbers.
201801 to 202000 and 350801 to 352000 are Roller Numbers.
202001 to 350000 are Numbers of Machine Parts.

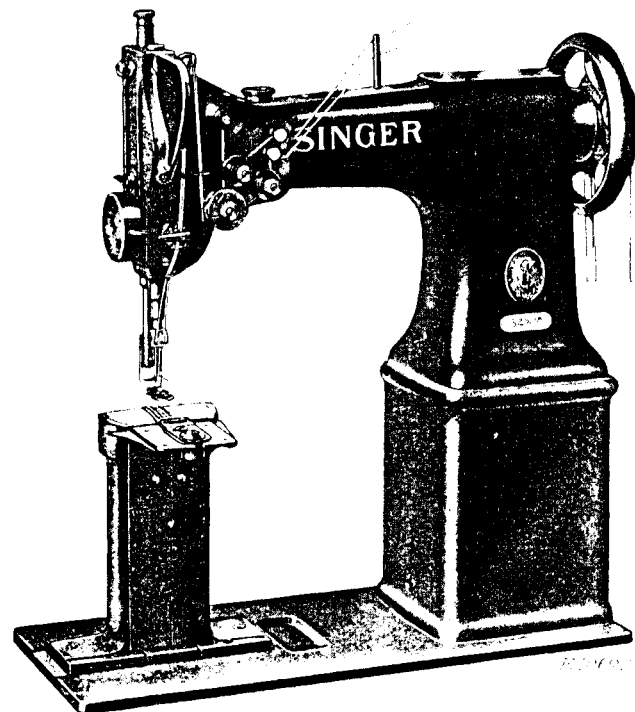
The figures in the second column refer only to the plate in which the illustration of the part is shown and are **NOT TO BE USED** in ordering.

Two or more numbers over a cut indicate that the difference between such parts is not visible in an illustration.

Parts marked with an asterisk (*) are furnished only when repairs are made at the factory.

LIST OF PARTS COMPLETE

FOR



MACHINE No. 52w18

HIGH SPEED. DROP FEED

For Staying Shoes

In gauges from $\frac{3}{32}$ to $\frac{1}{2}$ inch

No.	Plate	Name
*234001	—	Arm with 200368H, 202135 and 234047
*234002	—	Arm Base
204235	14048	" " Position Pin (2)
200010E	10245	" " Screw (3)
202005	10245	" " " Washer (3)
202247	14049	" Cap
200278H	14048	" " Screw
202248	14048	" " " Washer
10554	14048	" Position Pin (2)

Parts for Machine No. 52w18

No.	Plate	Name
200010E	10245	Arm Screw (3)
202005	10245	" " Washer
202249	13301	" Shaft with 200357E and 224392
240802	14049	" " Bushing (back) with 202244
202244	—	Arm Shaft Bushing (back) Oil Packing (wick)
200338c	14048	Arm Shaft Bushing (back) Set Screw
207080	14049	Arm Shaft Bushing (front) with 202244
202244	—	Arm Shaft Bushing (front) Oil Packing (wick)
200502B	10246	Arm Shaft Bushing (front) Oil Packing Thumb Screw
200338c	14048	Arm Shaft Bushing (front) Set Screw
234003	13301	Arm Shaft Connection Belt
202635	14049	" " " " Pulley with 200327c, 200602E and two 202253
200602E	14048	Arm Shaft Connection Belt Pulley Position Screw
200327c	14048	Arm Shaft Connection Belt Pulley Set Screw
202253	14049	Arm Shaft Connection Belt Pulley Spring Flange
224392	—	Arm Shaft Oil Packing (wick)
200357E	14048	" " " " Stop Screw
234147	13301	Balance Wheel (belt groove 2 7/8 in. diam.) with 200328c and 200335c
200328c	14048	Balance Wheel Position Screw
200335c	14048	" " Set Screw
*234004	—	Bed
202258	12345	" Hinge Connection (2)
200570E	10245	" " " " Screw (4)
203470	14048	Bobbin (2)
235769	14048	" Case Base with 202056, 203211 to 203213 and 203216
203211	14048	Bobbin Case Base Latch
*202056	—	" " " " Pin
203212	14048	" " " " Plunger
203213	14048	" " " " Spring
235770	14048	" " Cap with 200594c, 200984c and 235771
234079	14048	Bobbin Case Lever
234065	14048	" " " " Driving Block
200076D	14048	" " " " " " Screw

Parts for Machine No. 52w18

No.	Plate	Name
201272c	14048	Bobbin Case Lever Hinge Screw
235771	14048	" " Tension Spring
200984c	14048	" " " " Regulat- ing Screw
200594c	14048	Bobbin Case Tension Spring Screw
203216	—	" " Washer (cloth)
235772	—	Bobbin Case complete, Nos. 235769 and 235770
241753	14049	Face Plate
202135	10245	" " Position Pin
200462B	10245	" " Thumb Screw
234010	14051	Feed Bar
200641c	10246	" " Hinge Screw (driving)
201518E	10245	" " " " Nut
202276	10245	" " Slide Block
234084	14048	" " " " Crank with 200038c
234011	—	Feed Bar Slide Block Crank 234084 with 200205E, 201518E and 202276
200038c	10245	Feed Bar Slide Block Crank Pinch Screw
200205E	10245	Feed Bar Slide Block Hinge Screw
201518E	10245	" " " " " " Nut
234052	11799	Feed Dog
234012	14051	" " Lever with 200098E
200263D	14048	" " " Hinge Screw
201528D	14048	" " " " " Nut
234066	13306	" " " Post
234067	—	" " " " 234066 with 200265E, 201525E, 203610, 203624, 234012 and two 200098E
200024c	14048	Feed Dog Lever Post Screw (4)
203637	14048	" " " " " Washer (4)
203624	14050	Feed Dog Lever Retainer Washer
200098E	14050	" " " " " "
203610	14050	Feed Dog Lever Slide Block
200265E	14050	" " " " " Hinge Screw
201525E	10245	Feed Dog Lever Slide Block Hinge Screw Nut
200098E	14050	Feed Dog Screw
234015	13301	" Driving Connection with 200049E and 202277
202298	10245	Feed Driving Connection Crank with 200038c

Parts for Machine No. 52w18

No.	Plate	Name
200038c	10245	Feed Driving Connection Crank Pinch Screw
200545c	10245	Feed Driving Connection Hinge Screw
201518E	10245	Feed Driving Connection Hinge Screw Nut
202277	—	Feed Driving Connection Oil Packing (wick)
200049E	14050	Feed Driving Connection Pinch Screw
202300	10246	Feed Driving Eccentric Regulating Bracket
203098	13306	Feed Driving Eccentric Regulating Bracket 202300 with 202635, two each 201014c and 201525E
201014c	10245	Feed Driving Eccentric Regulating Bracket Hinge Screw
201525E	10245	Feed Driving Eccentric Regulating Bracket Hinge Screw Nut
202301	10246	Feed Driving Eccentric Regulating Bracket Plunger
202595	10246	Feed Driving Eccentric Regulating Bracket Plunger Spring
200607c	10246	Feed Driving Eccentric Regulating Bracket Plunger Spring Stop Screw
201014c	10245	Feed Driving Eccentric Regulating Bracket Stop Screw
201525E	10245	Feed Driving Eccentric Regulating Bracket Stop Screw Nut
200429c	10246	Feed Driving Eccentric Regulating Screw
200383c	10246	Feed Driving Eccentric Regulating Screw Check Screw
202303	13301	Feed Driving Rock Shaft
234016	—	" " " " 202303 with 200641c, 201518E and 234010
202305	10245	Feed Driving Rock Shaft Center (2)
200043c	10246	" " " " " Set Screw (2)
234017	13301	Feed Lifting Connection with 200049E and 202277
202307	10246	Feed Lifting Connection Eccentric with 200382c and 200437c
200437c	10246	Feed Lifting Connection Eccentric Position Screw
200382c	14050	Feed Lifting Connection Eccentric Set Screw

Parts for Machine No. 52w18

No.	Plate	Name
200545c	10245	Feed Lifting Connection Hinge Screw
201518E	10245	Feed Lifting Connection Hinge Screw Nut
202277	—	Feed Lifting Connection Oil Packing (wick)
200049E	14050	Feed Lifting Connection Pinch Screw
234018	13301	Feed Lifting Rock Shaft
202305	10245	" " " " Center (2)
200043c	10246	" " " " " Set Screw (2)
202310	13306	Feed Regulating Spindle with 202311, 202443 and 202619
*202311	—	Feed Regulating Spindle Head
202443	14050	" " " " Pin
202619	14050	" " " " Position Pin
203061	13301	Foot Lifter Lifting Lever
200242H	11796	" " " " Hinge Screw
234019	13301	Foot Lifter Lifting Lever Rod with 202302
202302	14050	Foot Lifter Lifting Lever Rod Cutter Pin
203058	14050	Foot Lifter Lifting Lever Rod Coupling with 200530c
200530c	14050	Foot Lifter Lifting Lever Rod Coupling Set Screw
233361	11796	Foot Lifter Lifting Lever Spring
200273D	11796	" " " " " Screw
233390	11796	Foot Lifter Lifting Lever Washer
200153E	11796	Guide Screw
201561E	11796	" " Thumb Nut
226071	11796	" " Washer
230702	11796	" Slide (lower)
222232	11796	" " "
230703	11796	" " (upper)
222233	11796	" " "
200177D	11796	" " " Screw
230704	11796	Guide (adjustable) complete, for strips from $\frac{1}{8}$ to $\frac{1}{2}$ in., Nos. 200177D, 230702 and 230703
222234	11796	Guide (adjustable) complete, for strips from $\frac{1}{8}$ to $\frac{3}{4}$ in., Nos. 200177D, 222232 and 222233

Parts for Machine No. 52w18

No.	Plate	Name
*221214	—	Hook (sewing)
241602	14050	" 221214 with 201253F, 201376F and 241604
241603	—	Hook and Bobbin Case complete, Nos. 235772 and 241602
241550	11797	Hook Bevel Gear Socket, 14 teeth
234024	14050	" " " " Friction Washer
200555H	14050	Hook Bevel Gear Socket Screw
241551	14050	" " Pinion, 28 teeth, with two 200378C (2)
200378C	14050	Hook Bevel Pinion Set Screw
234026	13301	" Driving Shaft
202321	10245	" " " Bushing (3)
200346C	10245	" " " " Set Screw (3)
234027	14050	Hook Driving Shaft Collar with two 200378C
200378C	14050	Hook Driving Shaft Collar Set Screw
234028	13306	Hook Driving Shaft Connection Belt Pulley with 202253 and two 201254C
201254C	14050	Hook Driving Shaft Connection Belt Pulley Set Screw
202253	14049	Hook Driving Shaft Connection Belt Pulley Spring Flange
224392	—	Hook Driving Shaft Oil Packing (wick) (3)
241604	14050	Hook Gib
201376F	14050	" " Hinge Screw
201253F	14050	" " Screw
234069	13306	" Post (inside or outside)
234283	—	" " 234069 with 200555H, 201272C, 202299, 221222, 234024, 234065, 234079, 241550, 241603 and two 200076D
234284	—	Hook Post 234283 with 203630, 221215, 234073 and eight 200583H
234285	—	Hook Post 234283 with 221215, 234074, 234083 and eight 200583H
200159F	14050	Hook Post Clamping Screw
203630	14051	" " Cover Plate (back) (inside)
234083	14051	Hook Post Cover Plate (back) (outside)
234073	14051	Hook Post Cover Plate (front) (inside)

Parts for Machine No. 52w18

No.	Plate	Name
234074	14051	Hook Post Cover Plate (front) (outside)
200583H	14050	Hook Post Cover Plate Screw
202299	—	" " Oil Packing (wick)
200008C	14050	" " Screw (4)
203637	14048	" " " Washer (4)
221215	14051	" " Slide
221222	14052	" Washer
234286	—	Hook Post Combination (inside and outside) Complete, Nos. 234067, 234284, 234285 and two 200159F
234039	11798	Needle Bar and Holder, in gauges from $\frac{3}{32}$ to $\frac{3}{8}$ in., in steps of $\frac{1}{32}$ in., with two 200141F
202550	14049	Needle Bar Bushing
200352C	14052	" " " Set Screw
202552	14049	" " Connecting Link
236073	14049	" " " " Oil Guard
200161D	14050	Needle Bar Connecting Link Oil Guard Screw
202333	14052	Needle Bar Connecting Link Stud with 202254
202254	—	Needle Bar Connecting Link Stud Oil Packing (wick)
200374C	14050	Needle Bar Connecting Link Stud Set Screw
200383C	10246	Needle Bar Connecting Link Stud Set Screw
*206891	—	Needle Bar Connecting Stud
202329	—	" " " " 206891 with 200086C and 202330
202330	—	Needle Bar Connecting Stud Oil Packing (wick)
200086C	14052	Needle Bar Connecting Stud Pinch Screw
202692	14049	Needle Bar Crank with 200335C, 200374C, 200383C, 200428C and 202333
234287	—	Needle Bar Crank 202692 with 202329, 202399, 202400, 202552 and 223701
203172	14052	Needle Bar Crank Friction Washer
200428C	14052	" " " Position Screw
200335C	14048	" " " Set Screw
200141F	14052	" Set Screw

Parts for Machine No. 52w18

No.	Plate	Name
244033	11797	Presser Bar (hollow)
202335	—	“ “ 244033 with 200074F
207072	11798	“ “ Bushing
200352C	14052	“ “ “ Set Screw
202554	14052	“ “ Lifter
200653C	14052	“ “ “ Hinge Screw
244006	14052	“ “ Lifting Releasing Lever Bracket
200260D	14052	Presser Bar Lifting Releasing Lever Bracket Guide Screw
206608	14052	Presser Bar Lifting Releasing Lever Bracket Spring (spiral)
202337	14052	Presser Bar Position Guide
202338	14052	“ “ “ “ Lever with 200086F
200086F	14052	Presser Bar Position Guide Lever Pinch Screw
200352C	14052	Presser Bar Position Guide Set Screw
236089	14052	Presser Bar Spring
234044	14052	“ “ “ Stop Rod
200492B	14052	“ “ Thumb Screw (pres- sure regulating)
200475B	14053	Presser Bar Thumb Screw Thumb Set Screw
202355	14053	Presser Bar Thumb Screw Thumb Set Screw Packing (brass)
229492	11799	Presser Foot with 229291, 229298 and four 200172H, adjustable from $\frac{3}{8}$ to $\frac{3}{4}$ inch
229448	11799	Presser Foot with 229291, 229298 and four 200172H, adjustable from $\frac{1}{4}$ to $\frac{3}{8}$ inch
229017	11799	Presser Foot with 229291, 229298 and four 200172H, adjustable from $\frac{1}{8}$ to $\frac{1}{2}$ inch
229291	15657	Presser Foot Needle Guide (left)
229298	15657	“ “ “ “ (right)
200172H	15657	“ “ “ “ Screw
200074F	15658	“ “ Screw
223701	11798	Take-up Lever
202399	14053	“ “ Driving Stud with 202277
202277	—	Take-up Lever Driving Stud Oil Packing (wick)
202400	14053	Take-up Lever Hinge Stud with 202423
202423	—	Take-up Lever Hinge Stud Oil Packing (wick)

Parts for Machine No. 52w18

No.	Plate	Name
200383C	10246	Take-up Lever Hinge Stud Set Screw
202401	—	Take-up Lever Oiling Felt
200132E	14053	“ “ “ “ Screw
234086	14053	Tension Bracket with two each 200397H, 201224B and 236060
200159F	14050	Tension Bracket Screw
234047	13309	“ “ “ Socket
200368H	13309	“ “ “ “ Set Screw
236098	14053	Tension Bracket Thread Guide (double)
200174H	14053	Tension Bracket Thread Guide Screw
234087	—	Tension Bracket complete, Nos. 200174H, 200978H, 201199F, 223703, 223706, 234086, 236098, 237174, two each 13710, 200309E, 204059, 204271, 223704, three 201572B and four 244048
244048	13309	Tension Disc
236060	13309	“ “ Position Pin
223703	13309	“ Release Lever
235072	14053	“ “ “ Rod
200309E	13309	“ “ “ Screw
223704	13309	“ “ Plunger
204271	13309	“ “ Washer
13710	14053	“ Spring
201224B	13309	“ Stud
201572B	10881	“ Thumb Nut
223706	13309	Thread Controller Disc
200978H	13309	“ “ “ Screw
237174	14053	“ “ Spring
242117	13309	“ “ “ Stop
200132E	14053	“ “ “ “ Screw
201199F	13309	“ “ Stud with 204925
200061C	14053	“ “ “ Set Screw
201572B	10881	“ “ “ Thumb Nut
204925	13309	“ “ “ Washer
202414	13309	“ Guide
202417	13309	“ “
203313	13309	“ “
200355H	14053	“ “ Set Screw
200397H	13309	“ “ “ “
241755	—	“ Lubricator Oil Pad (felt)
241756	14053	“ “ “ “ Holder
241757	14053	“ “ “ “ Retainer
241758	14053	“ “ “ Reservoir
241759	—	“ “ “ Wick

Parts for Machine No. 52w18

No.	Plate	Name
350280F	14053	Thread Lubricator Screw
214838	14053	" " " Washer
241760	—	Thread Lubricator complete, Nos. 214838, 241755 to 241759 and 350280F
202091	13309	Thread Retainer Sleeve
202092	13309	" " Spring
204058	13309	" " Stud
200397H	13309	" " " Set Screw
204059	13309	Thread Retainer complete, Nos. 202091, 202092 and 204058
234290	11799	Throat Plate, 50 needle hole, for needle sizes 14 and 15, in gauges $\frac{3}{32}$ and $\frac{1}{8}$ in., grooved on top for staying
200577H	10245	Throat Plate Screw (2)
230356	11797	Work Plate (adjustable)
230852	—	" " 230356 with 230357, 230358 and four 200169B
230357	11797	Work Plate Guide (left)
230358	11797	" " " (right)
200169B	11798	" " " Adjusting Screw
200169B	11798	" " " Screw
200158B	11798	" " Screw (2)

LIST OF PARTS COMPLETE

FOR

MACHINE No. 52w19

HIGH SPEED. DROP FEED

For Staying Shoes

In gauges from $\frac{3}{32}$ to $\frac{1}{2}$ inch

No.	Plate	Name
*234281	—	Arm with 200368H, 202135 and 234047
*234002	—	Arm Base
204235	14048	" " Position Pin (2)
200010E	10245	" " Screw (3)
202005	10245	" " " Washer (3)
202247	14049	" Cap
200278H	14048	" " Screw
202248	14048	" " " Washer
10554	14048	" Position Pin (2)
200010E	10245	" Screw (3)
202005	10245	" " Washer
202249	13301	" Shaft with 200357E and 224392
240802	14049	" " Bushing (back) with 202244
202244	—	Arm Shaft Bushing (back) Oil Packing (wick)
200338C	14048	Arm Shaft Bushing (back) Set Screw
207080	14049	Arm Shaft Bushing (front) with 202244
202244	—	Arm Shaft Bushing (front) Oil Packing (wick)
200502B	10246	Arm Shaft Bushing (front) Oil Packing Thumb Screw
200338C	14048	Arm Shaft Bushing (front) Set Screw
234003	11797	Arm Shaft Connection Belt
202635	14049	" " " " Pulley with 200327C, 200602E and two 202253
200602E	14048	Arm Shaft Connection Belt Pulley Position Screw
200327C	14048	Arm Shaft Connection Belt Pulley Set Screw

Parts for Machine No. 52w19

No.	Plate	Name
202253	14049	Arm Shaft Connection Belt Pulley Spring Flange
224392	—	Arm Shaft Oil Packing (wick)
200357E	14048	" " " " Stop Screw
234147	13301	Balance Wheel (belt groove 2 3/4 in. diam.) with 200328c and 200335c
200328c	14048	Balance Wheel Position Screw
200335c	14048	" " Set Screw
*234004	—	Bed
202258	12345	" Hinge Connection (2)
200570E	10245	" " " Screw (4)
203470	14048	Bobbin (2)
235769	14048	" Case Base with 202056, 203211 to 203213 and 203216
203211	14048	Bobbin Case Base Latch
*202056	—	" " " " Pin
203212	14048	" " " " Plunger
203213	14048	" " " " Spring
235770	14048	" " Cap with 200594c, 200984c and 235771
234079	14048	Bobbin Case Lever
234065	14048	" " " Driving Block
200076D	14048	" " " " " Screw
201272c	14048	Bobbin Case Lever Hinge Screw
235771	14048	" " Tension Spring
200984c	14048	" " " " Regulat- ing Screw
200594c	14048	Bobbin Case Tension Spring Screw
203216	—	" " Washer (cloth)
235772	—	Bobbin Case complete, Nos. 235769 and 235770
241753	14049	Face Plate
202135	10245	" " Position Pin
200462B	10245	" " Thumb Screw
234010	14051	Feed Bar
200641c	10246	" " Hinge Screw (driving)
201518E	10245	" " " " Nut
202276	10245	" " Slide Block
234084	14048	" " " " Crank with 200038c
234011	—	Feed Bar Slide Block Crank 234084 with 200205F, 201518E and 202276
200038c	10245	Feed Bar Slide Block Crank Pinch Screw
200205F	10245	Feed Bar Slide Block Hinge Screw
201518E	10245	" " " " " " Nut

Parts for Machine No. 52w19

No.	Plate	Name
234052	11799	Feed Dog
234012	14051	" " Lever with 200098E
200263D	14048	" " " Hinge Screw
201528D	14048	" " " " " Nut
234066	13306	" " " Post
234067	—	" " " " 234066 with 200265E, 201525E, 203610, 203624, 234012 and two 200098F
200024c	14048	Feed Dog Lever Post Screw (4)
203637	14048	" " " " " Washer (4)
203624	14050	Feed Dog Lever Retainer Washer
200098F	14050	" " " " " " Screw
203610	14050	Feed Dog Lever Slide Block
200265E	14050	" " " " " Hinge Screw
201525E	10245	Feed Dog Lever Slide Block Hinge Screw Nut
200098E	14050	Feed Dog Screw
234015	13301	" Driving Connection with 200049E and 202277
202298	10245	Feed Driving Connection Crank with 200038c
200038c	10245	Feed Driving Connection Crank Pinch Screw
200545c	10245	Feed Driving Connection Hinge Screw
201518E	10245	Feed Driving Connection Hinge Screw Nut
202277	—	Feed Driving Connection Oil Packing (wick)
200049E	14050	Feed Driving Connection Pinch Screw
202300	10246	Feed Driving Eccentric Regulating Bracket
203098	13306	Feed Driving Eccentric Regulating Bracket 202300 with 202635, two each 201014c and 201525E
201014c	10245	Feed Driving Eccentric Regulating Bracket Hinge Screw
201525E	10245	Feed Driving Eccentric Regulating Bracket Hinge Screw Nut
202301	10246	Feed Driving Eccentric Regulating Bracket Plunger
202595	10246	Feed Driving Eccentric Regulating Bracket Plunger Spring

Parts for Machine No. 52w19

No.	Plate	Name
200607c	10246	Feed Driving Eccentric Regulating Bracket Plunger Spring Stop Screw
201014c	10245	Feed Driving Eccentric Regulating Bracket Stop Screw
201525E	10245	Feed Driving Eccentric Regulating Bracket Stop Screw Nut
200429c	10246	Feed Driving Eccentric Regulating Screw
200383c	10246	Feed Driving Eccentric Regulating Screw Check Screw
202303	13301	Feed Driving Rock Shaft
234016	—	" " " " 202303 with 200641c, 201518E and 234010
202305	10245	Feed Driving Rock Shaft Center (2)
200043c	10246	" " " " " Set Screw (2)
234017	13301	Feed Lifting Connection with 200049E and 202277
202307	10246	Feed Lifting Connection Eccentric with 200382c and 200437c
200437c	10246	Feed Lifting Connection Eccentric Position Screw
200382c	14050	Feed Lifting Connection Eccentric Set Screw
200545c	10245	Feed Lifting Connection Hinge Screw
201518E	10245	Feed Lifting Connection Hinge Screw Nut
202277	—	Feed Lifting Connection Oil Packing (wick)
200049E	14050	Feed Lifting Connection Pinch Screw
234018	13301	Feed Lifting Rock Shaft
202305	10245	" " " " Center (2)
200043c	10246	" " " " " Set Screw (2)
202310	13306	Feed Regulating Spindle with 202311, 202443 and 202619
*202311	—	Feed Regulating Spindle Head
202443	14050	" " " " Pin
202619	14050	" " " " Position Pin
234282	11797	Foot Lifter Lifting Lever
200242H	11796	" " " " Hinge Screw
234019	13301	Foot Lifter Lifting Lever Rod with 202302

Parts for Machine No. 52w19

No.	Plate	Name
202302	14050	Foot Lifter Lifting Lever Rod Cotter Pin
203058	14050	Foot Lifter Lifting Lever Rod Coupling with 200530c
200530c	14050	Foot Lifter Lifting Lever Rod Coupling Set Screw
203059	11796	Foot Lifter Lifting Lever Rod Spring
203060	11796	Foot Lifter Lifting Lever Rod Spring Hook
200153E	11796	Guide Screw
201561E	11796	" " Thumb Nut
226071	11796	" " Washer
230702	11796	" Slide (lower)
222232	11796	" " "
230703	11796	" " (upper)
222233	11796	" " "
200177D	11796	" " " Screw
230704	11796	Guide (adjustable) complete, for strips from $\frac{7}{32}$ to $\frac{1}{2}$ in., Nos. 200177D, 230702 and 230703
222234	11796	Guide (adjustable) complete, for strips from $\frac{1}{4}$ to $\frac{3}{8}$ in., Nos. 200177D, 222232 and 222233
*221214	—	Hook (sewing)
241602	14050	" 221214 with 201253E, 201376E and 241604
241603	—	Hook and Bobbin Case complete, Nos. 235772 and 241602
241550	11797	Hook Bevel Gear Socket, 14 teeth
234024	14050	" " " " Friction Washer
200555H	14050	Hook Bevel Gear Socket Screw
241551	14050	" " Pinion, 28 teeth, with two 200378c (2)
200378c	14050	Hook Bevel Pinion Set Screw
234026	13301	" Driving Shaft
202321	10245	" " " Bushing (3)
200346c	10245	" " " " Set Screw (3)
234027	14050	Hook Driving Shaft Collar with two 200378c
200378c	14050	Hook Driving Shaft Collar Set Screw
234028	13306	Hook Driving Shaft Connection Belt Pulley with 202253 and two 201254c
201254c	14050	Hook Driving Shaft Connection Belt Pulley Set Screw

Parts for Machine No. 52w19

No.	Plate	Name
202253	14049	Hook Driving Shaft Connection Belt Pulley Spring Flange
224392	—	Hook Driving Shaft Oil Packing (wick) (3)
241604	14050	Hook Gib
201376F	14050	" " Hinge Screw
201253F	14050	" " Screw
234069	13306	" Post (inside or outside)
234283	—	Hook Post 234069 with 200555H, 201272c, 202299, 221222, 234024, 234065, 234079, 241550, 241603 and two 200076D
234284	—	Hook Post 234283 with 203630, 221215, 234073 and eight 200583H
234285	—	Hook Post 234283 with 221215, 234074, 234083 and eight 200583H
200159F	14050	Hook Post Clamping Screw
203630	14051	" " Cover Plate (back) (inside)
234083	14051	Hook Post Cover Plate (back) (outside)
234073	14051	Hook Post Cover Plate (front) (inside)
234074	14051	Hook Post Cover Plate (front) (outside)
200583H	14050	Hook Post Cover Plate Screw
202299	—	" " Oil Packing (wick)
200008c	14050	" " Screw (4)
203637	14048	" " Washer (4)
221215	14051	" " Slide
221222	14052	" Washer
234286	—	Hook Post Combination (inside and outside) complete, Nos. 234067, 234284, 234285 and two 200159F
234039	11798	Needle Bar and Holder, in gauges from $\frac{3}{32}$ to $\frac{5}{16}$ in., in steps of $\frac{1}{32}$ in., with two 200141F
202550	14049	Needle Bar Bushing
200352c	14052	" " " Set Screw
202552	14049	" " Connecting Link
236073	14049	" " " " O 11 Guard
200161D	14050	Needle Bar Connecting Link Oil Guard Screw
202333	14052	Needle Bar Connecting Link Stud with 202254
202254	—	Needle Bar Connecting Link Stud Oil Packing (wick)

Parts for Machine No. 52w19

No.	Plate	Name
200374c	14050	Needle Bar Connecting Link Stud Set Screw
200383c	10246	Needle Bar Connecting Link Stud Set Screw
*206891	—	Needle Bar Connecting Stud
202329	—	" " " " 206891 with 200086c and 202330
202330	—	Needle Bar Connecting Stud Oil Packing (wick)
200086c	14052	Needle Bar Connecting Stud Pinch Screw
202692	14049	Needle Bar Crank with 200335c, 200374c, 200383c, 200428c and 202333
234287	—	Needle Bar Crank 202692 with 202329, 202399, 202400, 202552 and 223701
203172	14052	Needle Bar Crank Friction Washer
200428c	14052	" " " Position Screw
200335c	14048	" " " Set Screw
200141F	14052	" " Set Screw
244033	11797	Presser Bar (hollow)
202335	—	" " 244033 with 200074F
207072	11798	" " Bushing
200352c	14052	" " " Set Screw
234288	11797	" " Extension Hanger
213047	11798	" " " " Col- lar with 200113F
200113F	11796	Presser Bar Extension Hanger Col- lar Set Screw
200057H	11796	Presser Bar Extension Hanger Pinch Screw
200045E	11796	Presser Bar Extension Hanger Screw (2)
202554	14052	Presser Bar Lifter
200653c	14052	" " " Hinge Screw
234289	11798	" " Lifting Releasing Lev- er Bracket with 200311E
200260D	14052	Presser Bar Lifting Releasing Lev- er Bracket Guide Screw
206608	14052	Presser Bar Lifting Releasing Lev- er Bracket Spring (spiral)
202337	14052	Presser Bar Position Guide
202338	14052	" " " " Lever with 200086F
200086F	14052	Presser Bar Position Guide Lever Pinch Screw

Parts for Machine No. 52w19

No.	Plate	Name
200352c	14052	Presser Bar Position Guide Set Screw
236089	14052	Presser Bar Spring
234044	14052	" " " Stop Rod
200492B	14052	" " Thumb Screw (pressure regulating)
200475B	14053	Presser Bar Thumb Screw Thumb Set Screw
202355	14053	Presser Bar Thumb Screw Thumb Set Screw Packing (brass)
229292	15657	Presser Foot with 229291, 229298 and four 200172H, adjustable from $\frac{3}{8}$ to $\frac{7}{8}$ inch
229297	15657	Presser Foot with 229291, 229298 and four 200172H, adjustable from $\frac{1}{4}$ to $\frac{3}{8}$ inch
229304	15657	Presser Foot with 229291, 229298 and four 200172H, adjustable from $\frac{1}{8}$ to $\frac{1}{2}$ inch
229291	15657	Presser Foot Needle Guide (left)
229298	15657	" " " " (right)
200172H	15657	" " " " Screw
200074F	15658	" " Screw
213045	11797	" " Spring
213048	11798	" " " Bracket with 213722
200262H	14050	Presser Foot Spring Bracket Screw
213722	15658	" " " Pin
200311E	11798	" " " Position Screw
200456D	15658	" " " Thumb Screw
201598c	15658	" " " " " Wing Nut
223701	11798	Take-up Lever
202399	14053	" " Driving Stud with 202277
202277	—	Take-up Lever Driving Stud Oil Packing (wick)
202400	14053	Take-up Lever Hinge Stud with 202423
202423	—	Take-up Lever Hinge Stud Oil Packing (wick)
200383c	10246	Take-up Lever Hinge Stud Set Screw
202401	—	Take-up Lever Oiling Felt
200132E	14053	" " " " Screw
234086	14053	Tension Bracket with two each 200397H, 201224B and 236060

Parts for Machine No. 52w19

No.	Plate	Name
200159F	14050	Tension Bracket Screw
234047	13309	" " " Socket
200368H	13309	" " " " Set Screw
236098	14053	Tension Bracket Thread Guide (double)
200174H	14053	Tension Bracket Thread Guide Screw
234087	—	Tension Bracket complete, Nos. 200174H, 200978H, 201199E, 223703, 223706, 234086, 236098, 237174, two each 13710, 200309E, 204059, 204271, 223704, three 201572B and four 244048
244048	13309	Tension Disc
236060	13309	" " Position Pin
223703	13309	" Release Lever
235072	14053	" " " Rod
200309E	13309	" " " Screw
223704	13309	" " Plunger
204271	13309	" " Washer
13710	14053	" Spring
201224H	13309	" Stud
201572B	10881	" Thumb Nut
223706	13309	Thread Controller Disc
200978H	13309	" " " Screw
237174	14053	" " Spring
242117	13309	" " " Stop
200132E	14053	" " " " Screw
201199E	13309	" " Stud with 204925
200061c	14053	" " " Set Screw
201572B	10881	" " " Thumb Nut
204925	13309	" " " Washer
202414	13309	" Guide
202417	13309	" " "
203313	13309	" " "
200355H	14053	" " Set Screw
200397H	13309	" " " "
241755	—	" Lubricator Oil Pad (felt)
241756	14053	" " " " Holder
241757	14053	" " " " Retainer
241758	14053	" " " Reservoir
241759	—	" " " Wick
350280F	14053	" " Screw
214838	14053	" " Washer
241760	—	Thread Lubricator complete, Nos. 214838, 241755 to 241759 and 350280F

Parts for Machine No. 52w19

No.	Plate	Name
202091	13309	Thread Retainer Sleeve
202092	13309	" " Spring
204058	13309	" " Stud
200397H	13309	" " " Set Screw
204059	13309	Thread Retainer complete, Nos. 202091, 202092 and 204058
234290	11799	Throat Plate, 50 needle hole, for needle sizes 14 and 15, in gauges $\frac{3}{32}$ and $\frac{1}{8}$ in., grooved on top for staying
200577H	10245	Throat Plate Screw (2)
230356	11797	Work Plate (adjustable)
230852	---	" " 230356 with 230357, 230358 and four 200169B
230357	11797	Work Plate Guide (left)
230358	11797	" " " (right)
200169B	11798	" " " Adjusting Screw
200169B	11798	" " " Screw
200158B	11798	" " Screw (2)

ACCESSORIES

No.	Plate	Name
203470	14048	Bobbin (10)
*225482	---	" Case Screw Driver Blade
*225483	---	" " " " Handle
225497	12345	Bobbin Case Screw Driver complete, Nos. 225482 and 225483
128 x 4	---	Needles, four each, sizes 11, 12 and 14
228213	---	Drip Pan (long) with four 1 in. wire nails
41400	12345	Machine Rest Pin (wood)
120342	12345	Oiler (copper plated) with 120343
120343	12345	" Spout, $3\frac{1}{2}$ in. long
*225484	---	Screw Driver Blade
*225485	---	" " Handle
225498	12345	Screw Driver complete ($7\frac{1}{4}$ in. long), Nos. 225484 and 225485
225554	12345	Wrench (steel)

BOBBIN WINDER

Swing Automatic, Right Hand

225453	10884	Frame with 202277 and 225438
225454	10884	" Hinge Pin
202277	---	" Oil Packing (wick)
225438	10884	" " Well Cap
225455	10884	" Spring
225456	10884	" " Plunger
202473	10885	Pulley with 200380c
200380c	14053	" Set Screw
225381	10884	Spindle
225444	10884	Stop Latch
200056E	10884	" " Screw
225458	10884	" " Thumb Lever
225459	10884	" " " " Hinge Stud
225459	10884	" " " " Joint Stud
202478	10884	" " Trip Lever
200299H	10884	" " " " Hinge Screw
225461	10881	Tension Bracket with 201499B
200082D	10881	" " Screw
228026	10884	" " " Washer
2102	10881	" Disc
202407	10881	" Spring
201499B	10881	" Stud
201572B	10881	" " Thumb Nut

Accessories

No.	Plate	Name
225462	10881	Bobbin Winder Tension Bracket complete, Nos. 201572b, 202407, 225461 and two 2102
225433	10885	Bobbin Winder and Tension Bracket Base
225382	10885	Universal Bobbin Winder complete, Nos. 200056e, 200082b, 200299m, 202473, 202478, 225381, 225433, 225444, 225453 to 225456, 225458, 225462, 228026, two each 225459 and wood screws $\frac{3}{4}$ in., No. 12. R.H.B.

FOOT LIFTER

227952	11156	Foot Lifter Lever (left or right) with 227954
227678	11156	Foot Lifter Lever Chain, 48 in. long, with 202784
227954	15658	Foot Lifter Lever Chain Hook (lower)
202784	15658	Foot Lifter Lever Chain Hook (upper)
225016	15658	Foot Lifter Lever Hinge Pin
227953	11156	" " " Stand with two wood screws 1 in., No. 12
227955	11156	Foot Lifter Lever (left or right) complete, Nos. 225016, 227678, 227952 and 227953

(Other Foot Lifter parts are listed with parts of machine head.)

THREAD UNWINDER

225259	15815	Spool Rest (for one spool) (flat) with 201018c
225257	15815	Spool Rest (for two spools) (flat) with 201018c
150203	—	Spool Rest Cushion (felt)
225388	15815	" " Rod
200383c	10246	" " " Set Screw
201018c	15658	" " Set Screw
202490	15815	" Stand with 200383c
225391	15815	Thread Guide
201696j	15658	" " Lock Nut
225326	15658	" " Position Cup

Accessories

No.	Plate	Name
225324	15815	Thread Guide Rod with 208E and 225322
	208E	15658 Thread Guide Rod Screw
225322	15658	" " " Washer
259143	15815	Thread Unwinder (for three spools) complete, Nos. 201696j, 202490, 225257, 225259, 225324, 225326, 225388, three each 150203, 225391 and wood screws $\frac{3}{4}$ in., No. 12

MISCELLANEOUS PARTS

Used in conjunction with Thread Unwinder

60913	15815	Spool Weight with 60914
60914	—	" " Center Pin
225377	15815	" Wire (for small spools)
27739	11797	Thread Cone (wood)

PLATE 10245—FULL SIZE

200010



200545



200462



200570



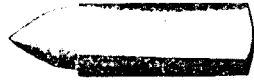
200577



202135



202305



202276



200205



200038



200139



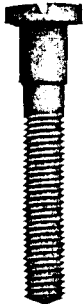
200196



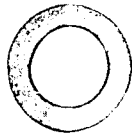
201518



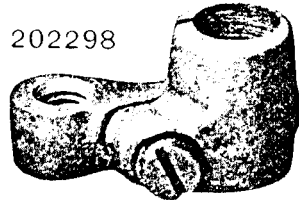
201014



202005



202298



201525



202321



200346



PLATE 10246—FULL SIZE

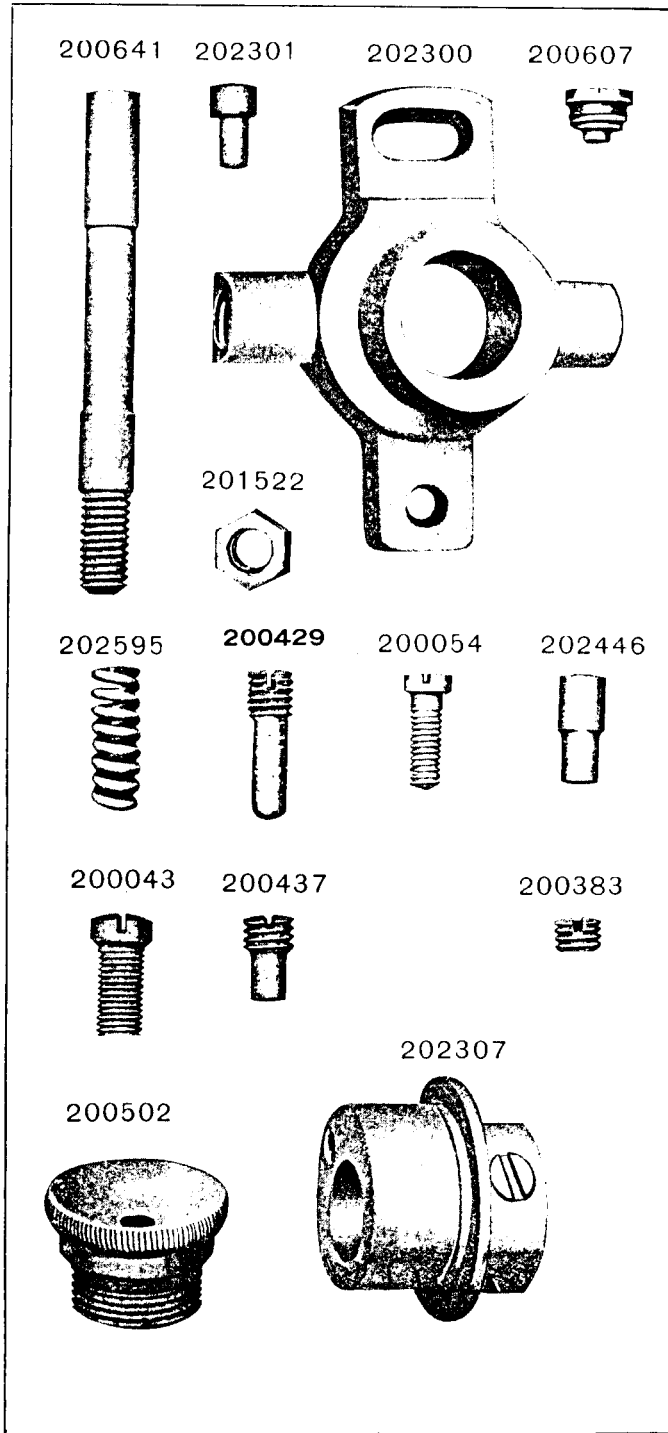


PLATE 10881—FULL SIZE

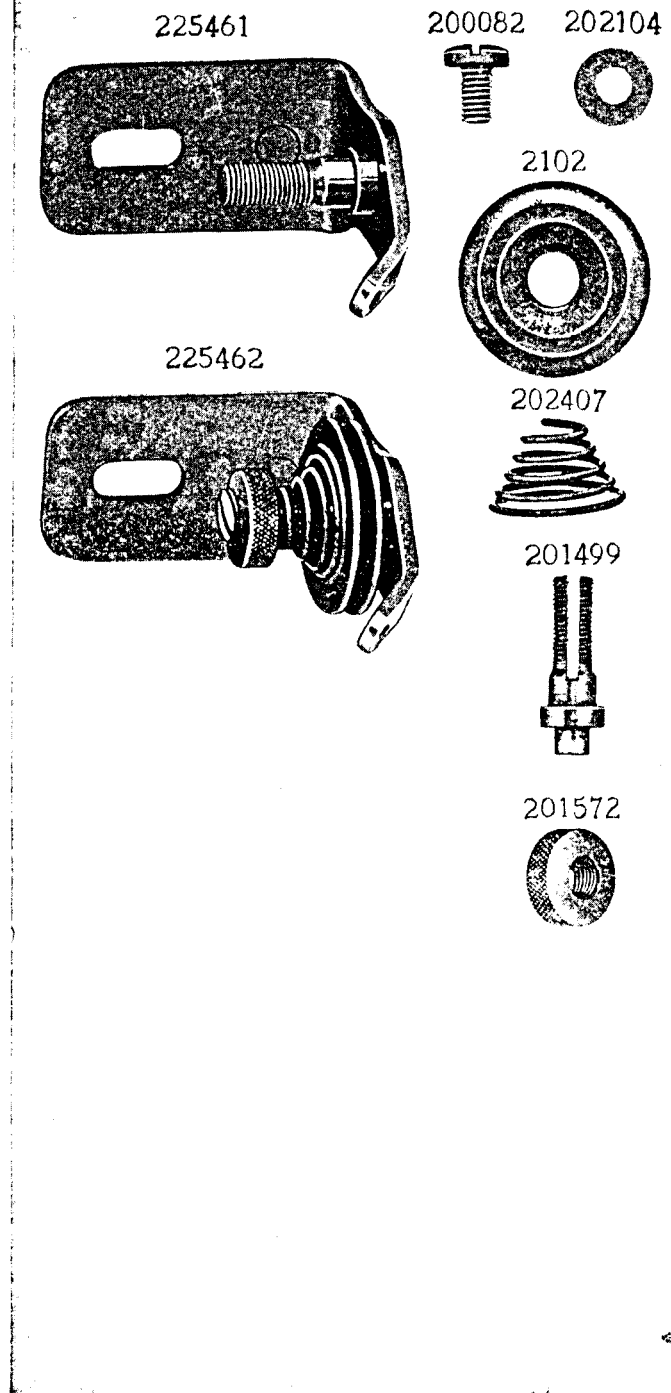


PLATE 10884—FULL SIZE

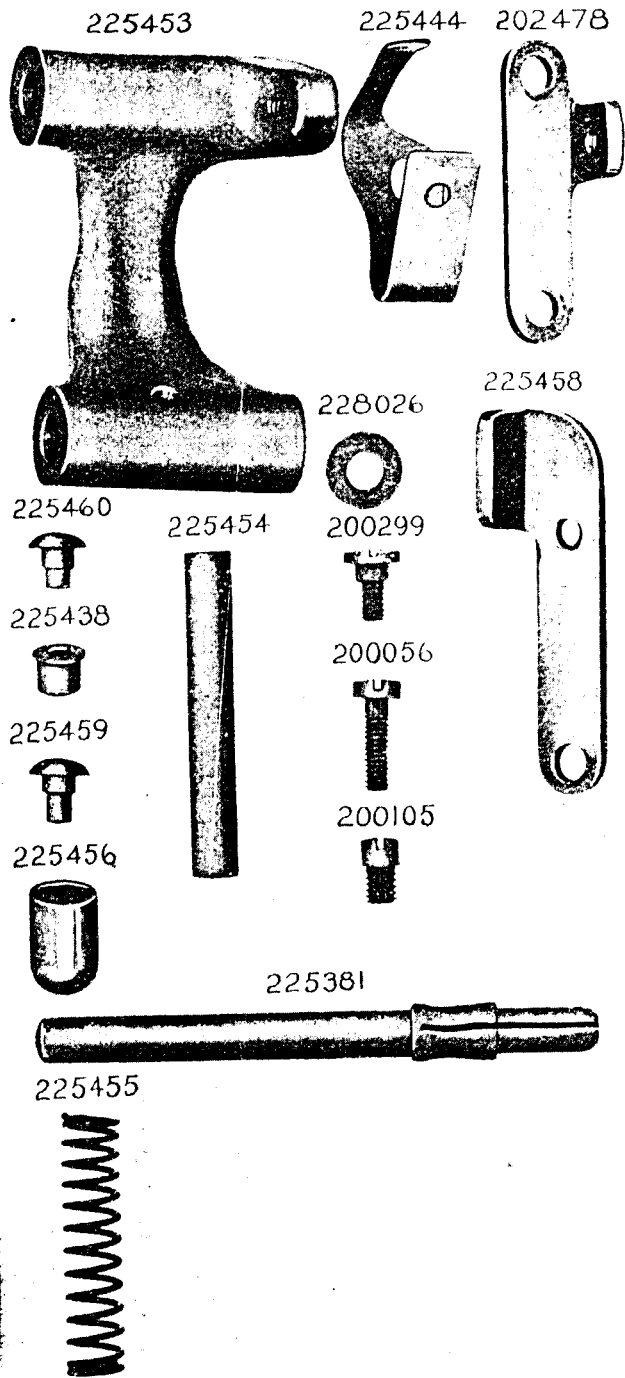


PLATE 10885—ONE-FOURTH SIZE

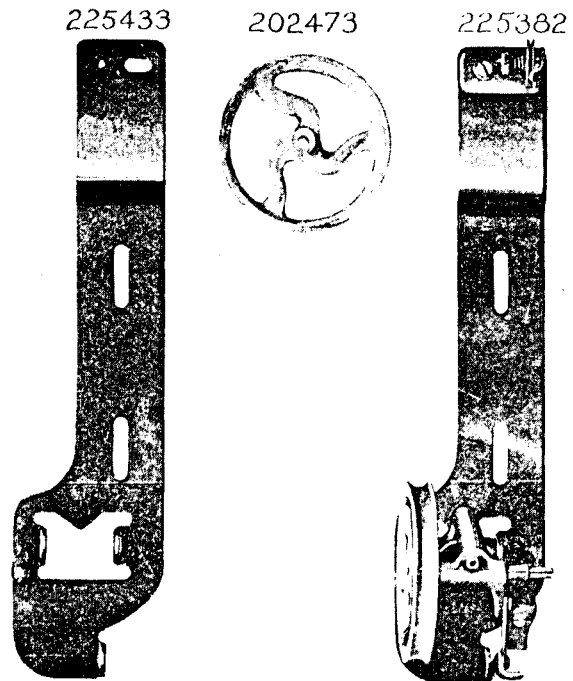


PLATE 11156 - ONE-FOURTH SIZE

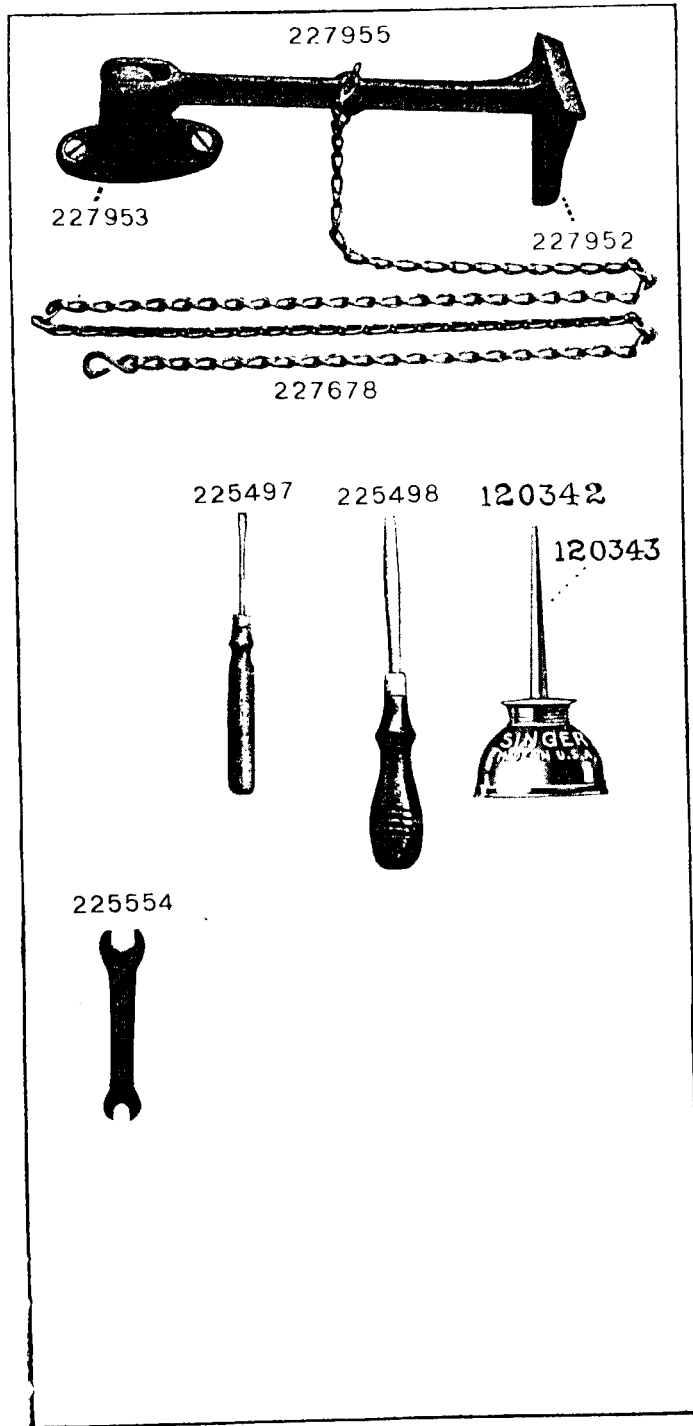


PLATE 11796 - FULL SIZE

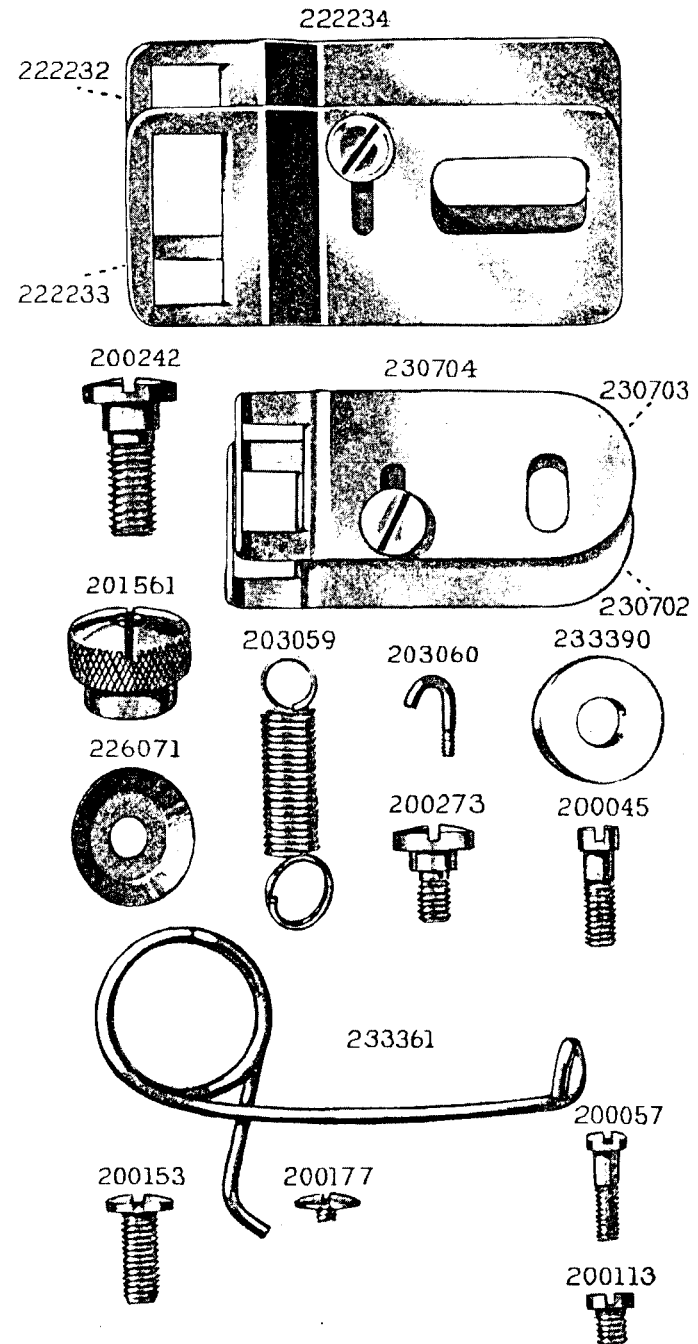


PLATE 11797—ONE-HALF SIZE

234282 241550 213045 230356 244033

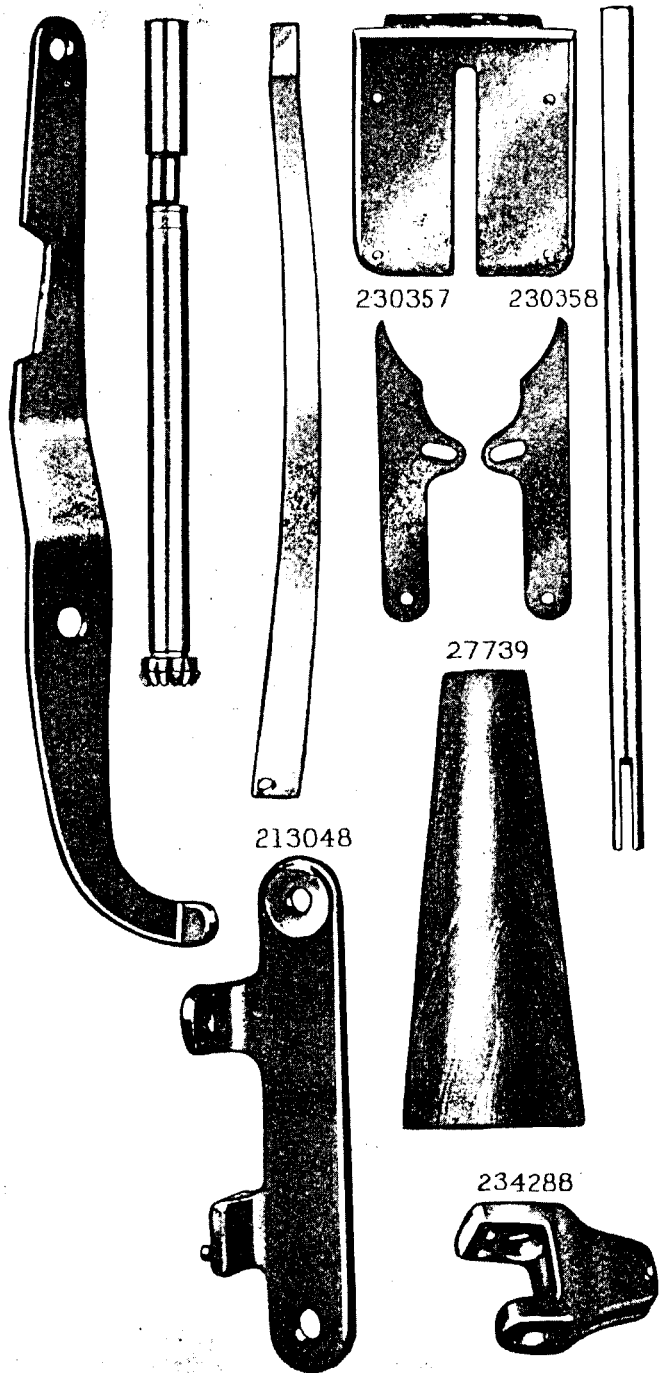


PLATE 11798—FULL SIZE

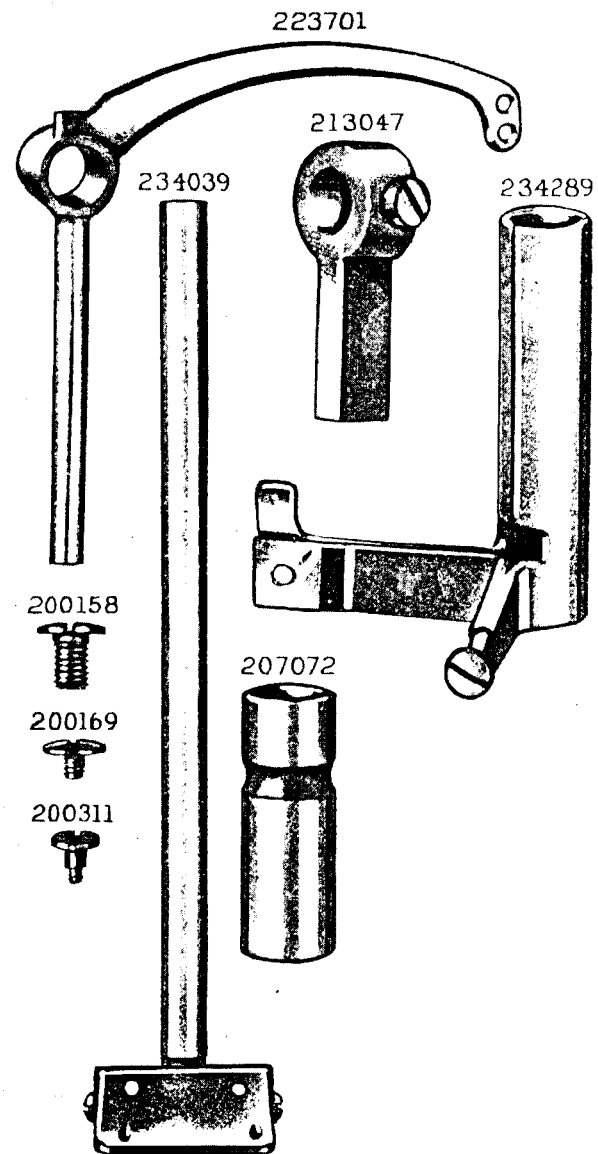


PLATE 11799—FULL SIZE

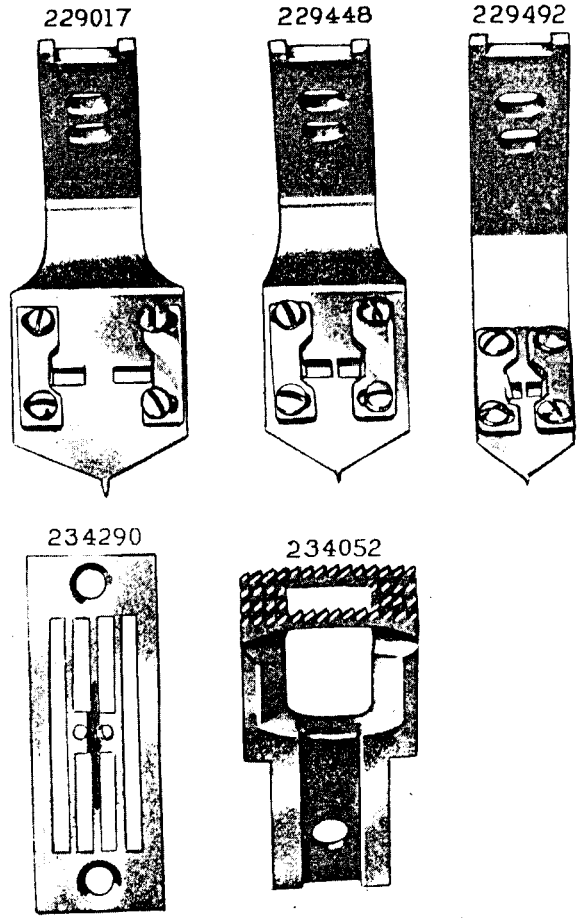


PLATE 12345—ONE-HALF SIZE

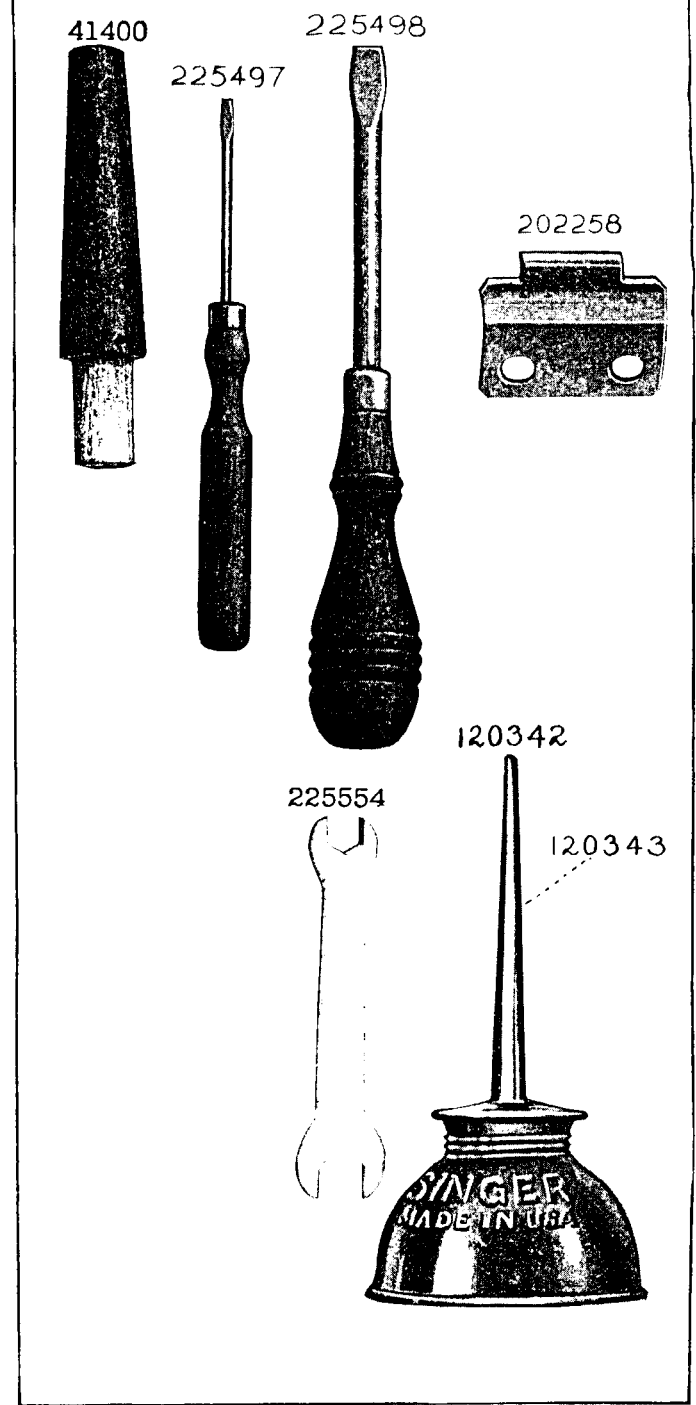


PLATE 13301-ONE-FOURTH SIZE

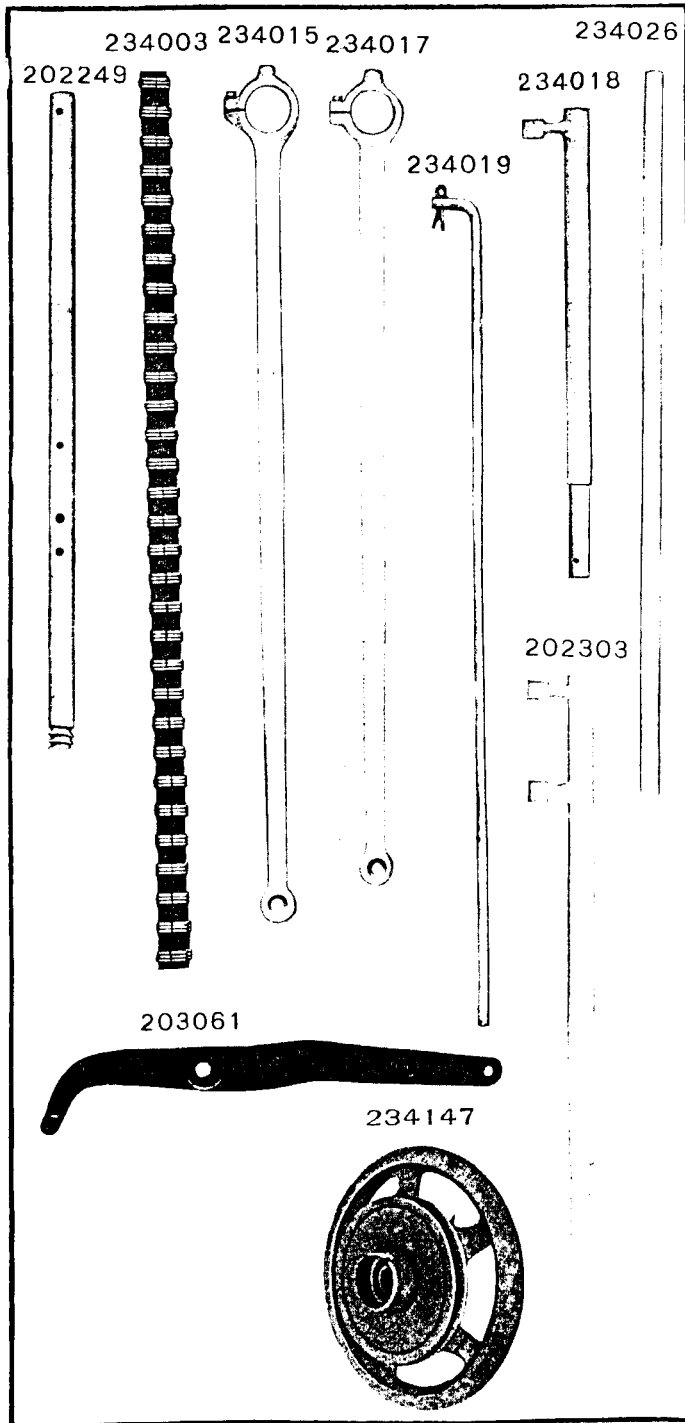


PLATE 13306-ONE-HALF SIZE

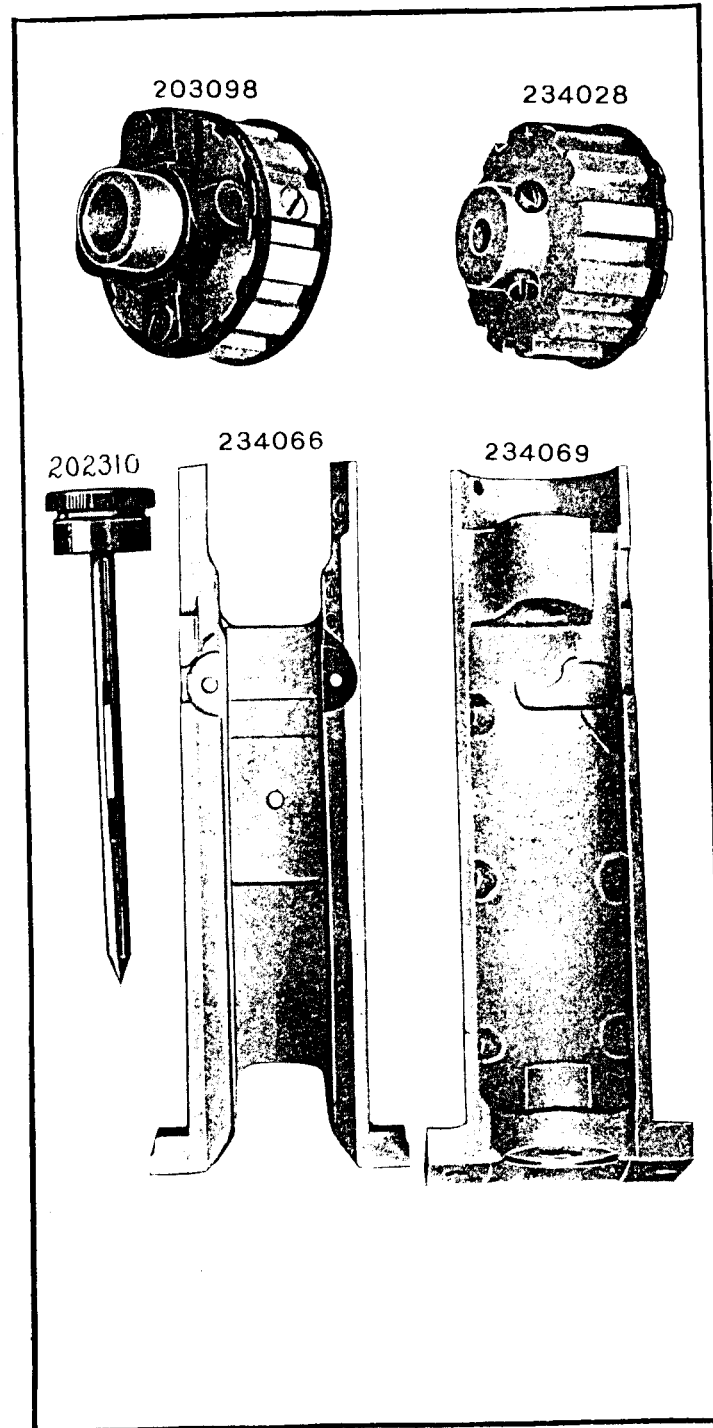


PLATE 13309-FULL SIZE

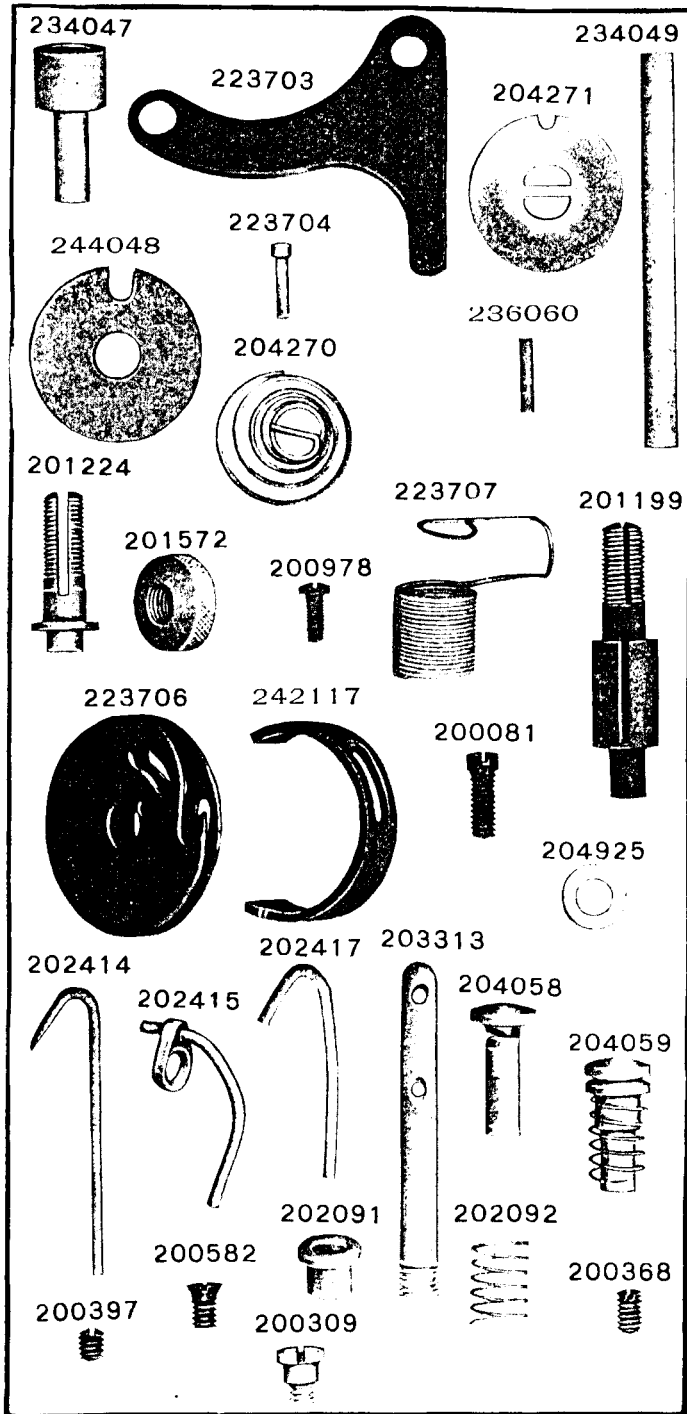


PLATE 14048-FULL SIZE

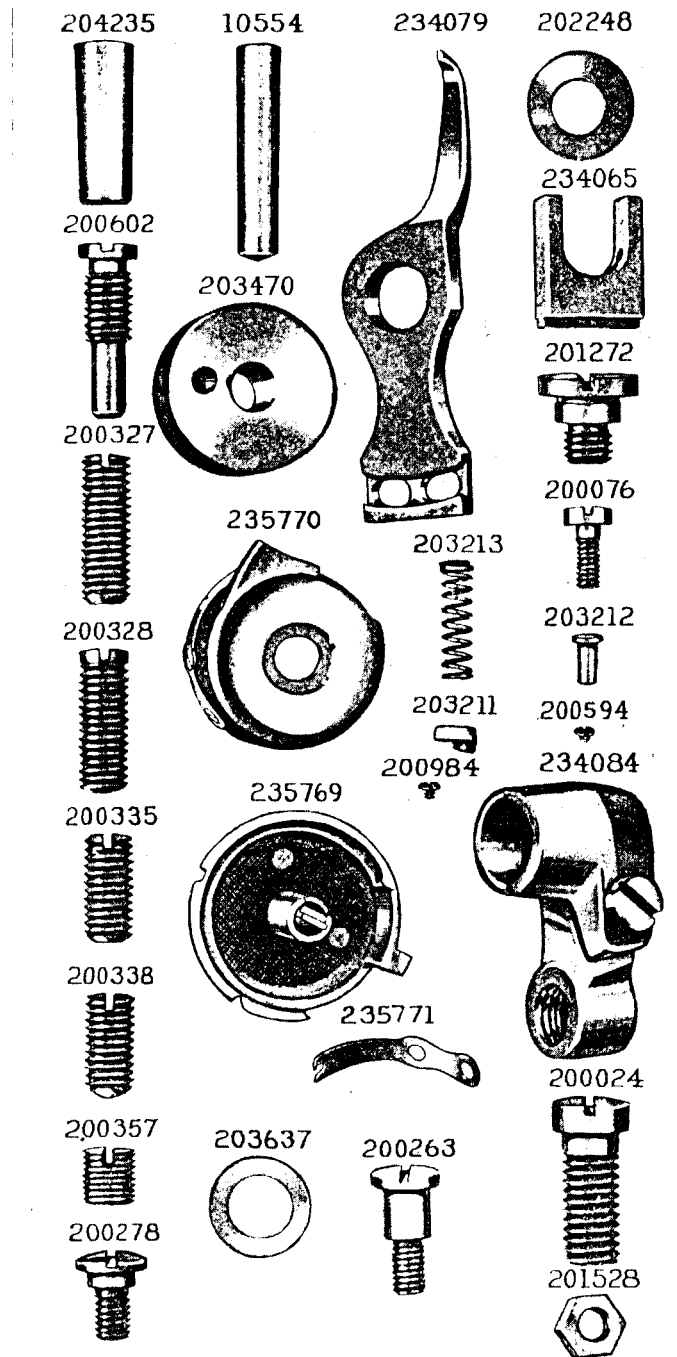


PLATE 14049—ONE-HALF SIZE

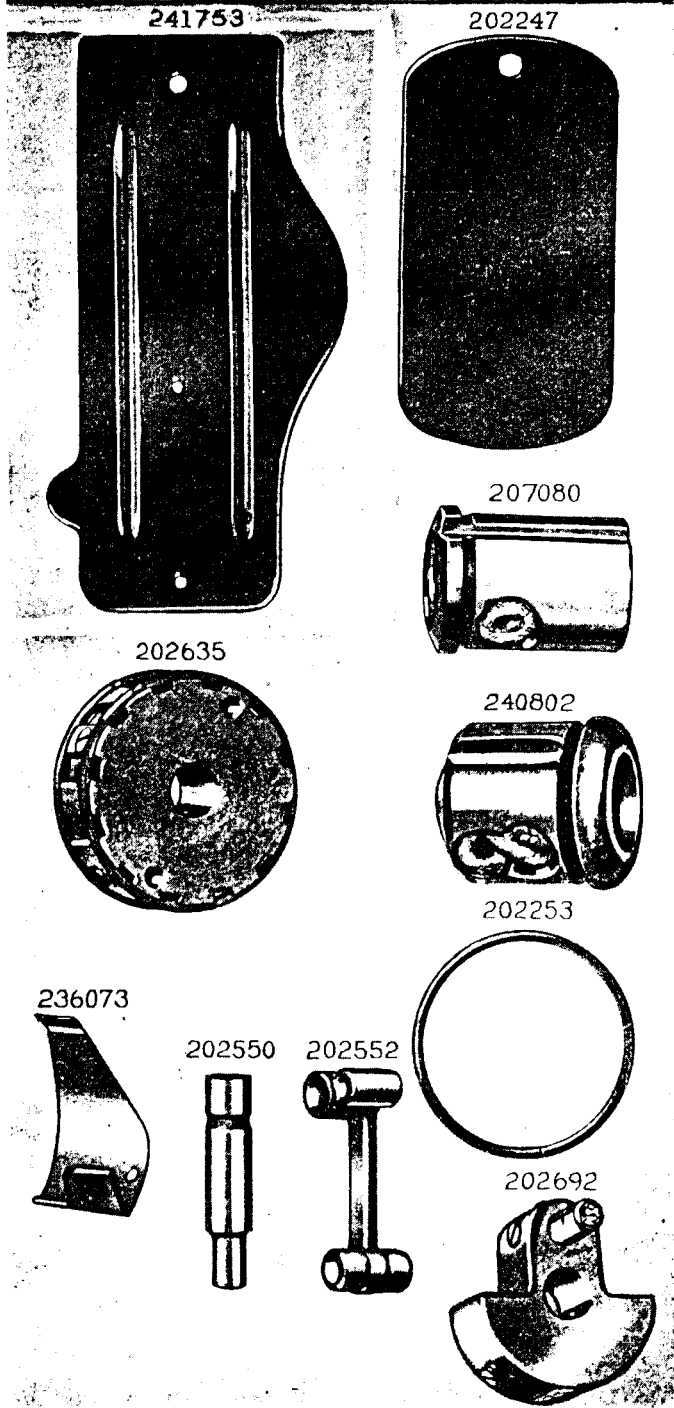


PLATE 14050—FULL SIZE

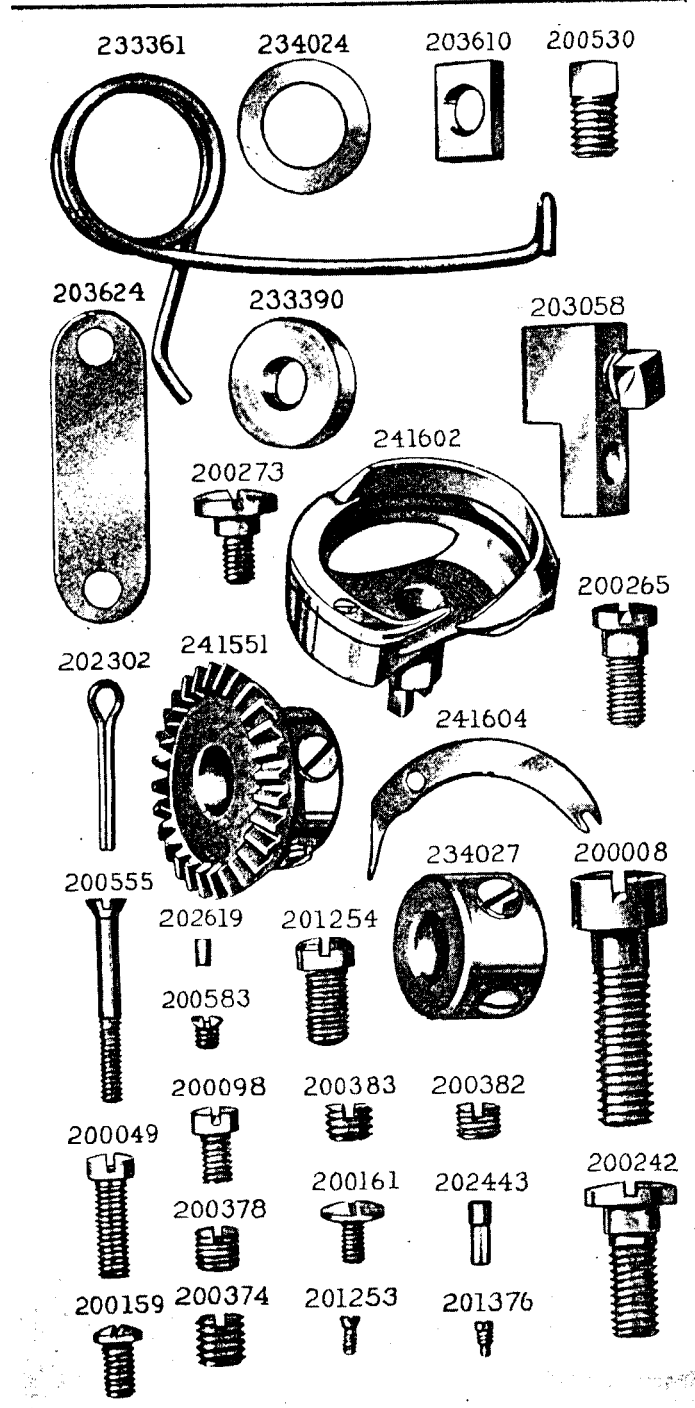
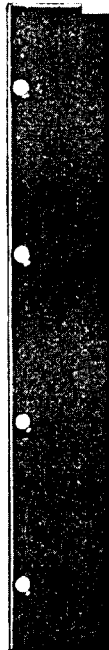
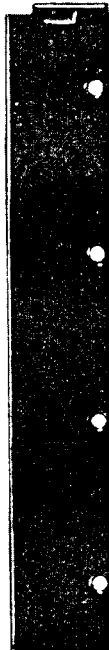


PLATE 14051—ONE-HALF SIZE

203630



234083



234074



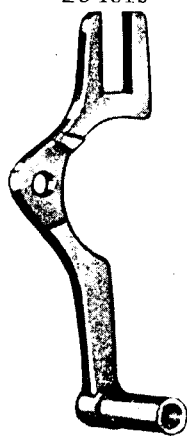
234073



234012



234010

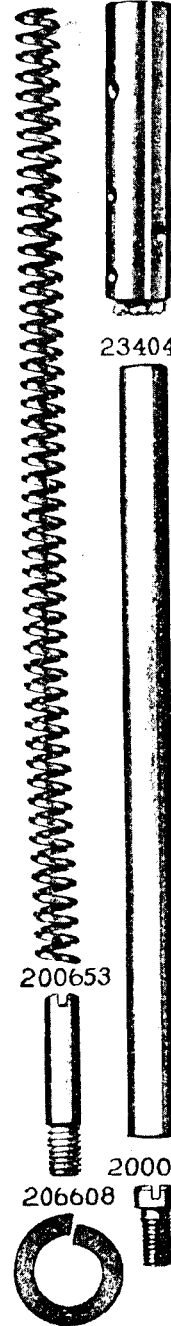


221215



PLATE 14052—FULL SIZE

236089 202333



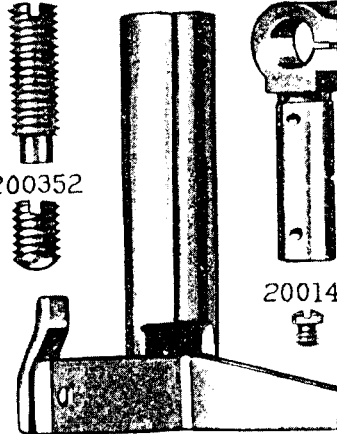
200428



200352



244006



202329



200141



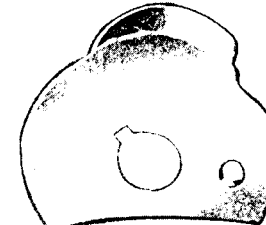
234044



202337



221222



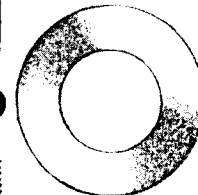
200260



202554



203172



200492



202338



200653



200086



206608



PLATE 14053—FULL SIZE

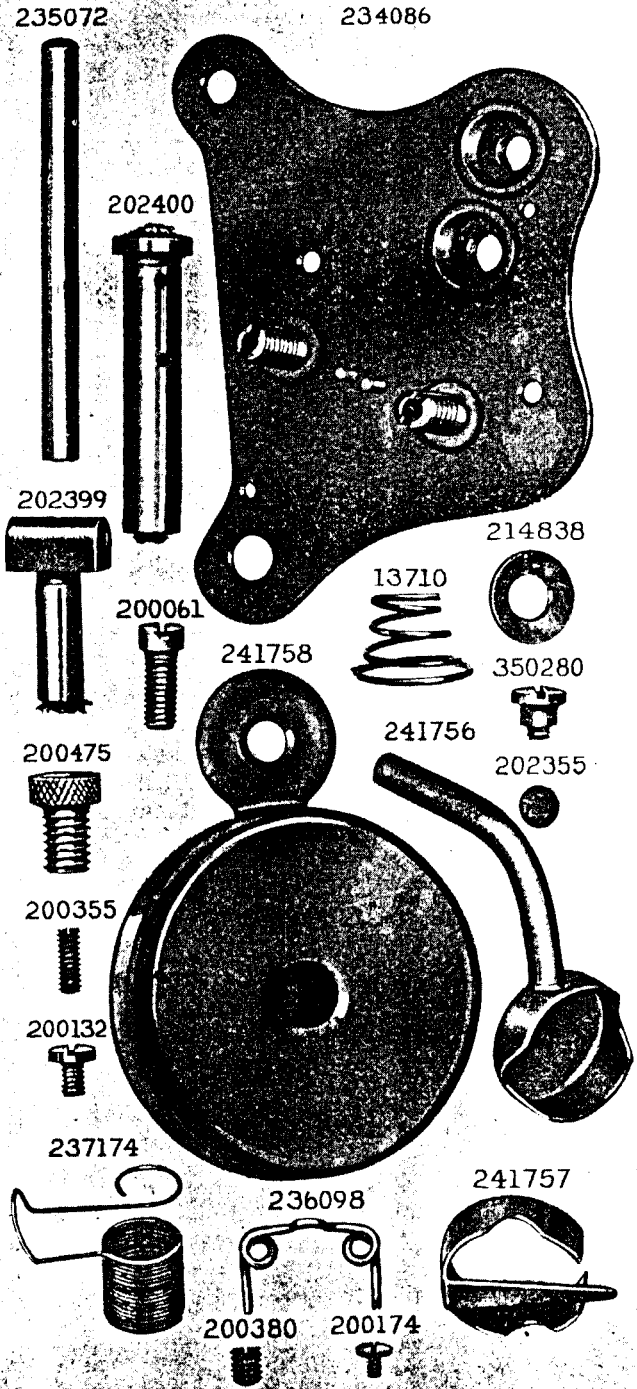


PLATE 15657—FULL SIZE

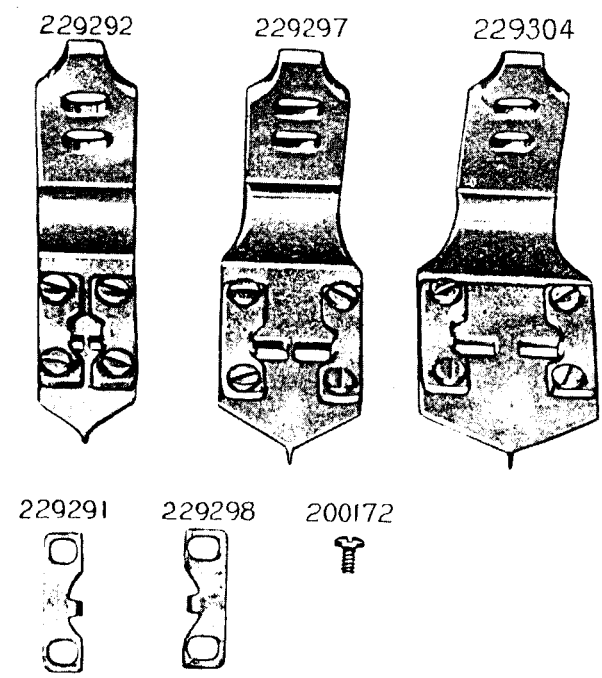


PLATE 15658—FULL SIZE

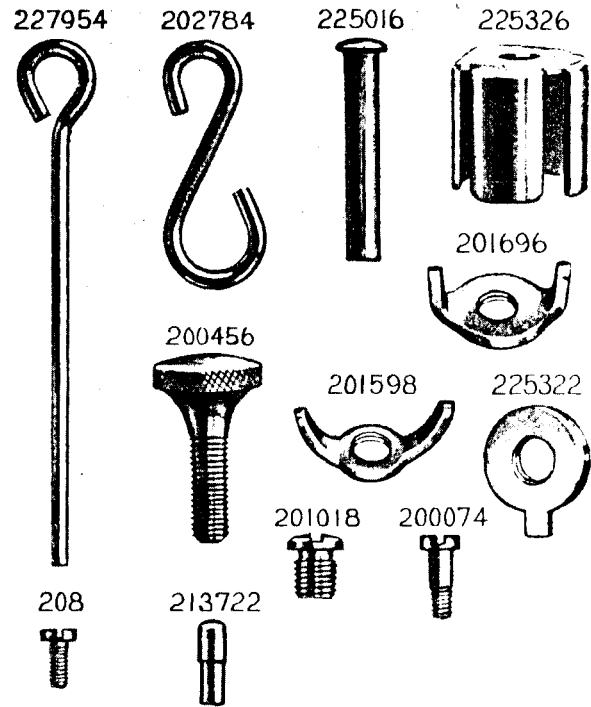


PLATE 15815—ONE-SIXTH SIZE

