

SINGER
61W12,W13

PRICE LIST

OF

PARTS



MACHINES

Nos. 61w12 and 61w13

INDEX

	Page
ACCESSORIES	15
BOBBIN WINDER.....	15
FEED DOGS.....	18
GUIDES.....	16, 20
KNEE LIFTER PARTS.....	16
MACHINE NO. 61w12.....	7
" " 61w13.....	14
NUMERICAL LIST OF PARTS	21
PRESSER FEET.....	18
THROAT PLATES.....	19

THE SINGER MANUFACTURING COMPANY

Instructions for Ordering

In ordering from this list, use **ONLY** the **PART** number in the **FIRST** column.

The number stamped on a Sewing Machine Part is the number of the Single Part only, except when the part includes Set Screws, Clamping Screws, Studs and Rollers Spun on, Small Wires riveted, or Parts soldered together, etc., which it is necessary to furnish in combination.

Every combination of parts sent out has its specific number which, although not stamped on Parts (except in above cases) must be used when ordering the combination.

Each number always indicates the **SAME PART** in whatever list it appears, or for whatever Machine.

The letters after some of the numbers indicate the style of finish only, as follows:

- A. Hardened, Polished and Plated.
- B. Polished and Plated.
- C. Hardened only.
- D. Polished only.
- E. Soft, not polished.
- F. Hardened and Polished.
- H. Blued.

These letters **MUST BE USED** when they appear in the list and **AFTER** the number, as in the list.

In this series

200001 to 201500 are Screw Numbers.

201501 to 201800 are Nut Numbers.

201801 to 202000 are Roller Numbers.

202001 and upward are numbers of Machine Parts.

The figures in the second column refer only to the plate in which the illustration of the part is shown and are **NOT TO BE USED** in ordering.

Two or more numbers over a cut indicate that the difference between such parts is not visible in an illustration.

Parts marked with an asterisk (*) are furnished only when repairs are made at the factory.

LIST OF PARTS COMPLETE

FOR

MACHINE No. 61w12

For Collars and Cuffs (Troy Style)

No.	Plate	Name	Each
*202242	---	Arm	\$
*207048	---	" 202242 and Bed 202532 (offset set- ting) with two 204235, three each 200010e and 202005	
202247	10667	Arm Cap	
200278H	10244	" " Screw	
202248H	10244	" " Washer	
204235	10668	" Position Pin	
200010E	10245	" Screw	
202005	10245	" " Washer	
202249	13351	" Shaft with 200357e and 203100	1 0
202243	13351	" " Bushing (back) with 202244 ..	5
202244	---	" " " Oil Packing (wick)	2
200338C	10244	Arm Shaft Bushing (back) Set Screw ..	4
202245	10667	" " " (front) with 202036 and 202260	5
202260	---	Arm Shaft Bushing (front) Oil Packing (wick)	01
200502B	10246	Arm Shaft Bushing (front) Oil Packing Thumb Screw	5
202036	10668	Arm Shaft Bushing (front) Position Pin	01
200338C	10244	" " " " Set Screw ..	04
202530	13351	" " Connection Belt	0
202252	10244	" " " " Pulley with 200327e, 200602e and two 202253	1 00
200602E	10244	Arm Shaft Connection Belt Pulley Posi- tion Screw	0
200327C	10244	Arm Shaft Connection Belt Pulley Set Screw	04
202253	10244	Arm Shaft Connection Belt Pulley Spring Flange	15
203100	---	Arm Shaft Oil Packing (wick)	01
200357E	10244	" " " " Stop Screw	0
202255	13351	Balance Wheel with 200328c and 200335c	85
200328C	10244	" " Position Screw	0
200335C	10244	" " Set Screw	0

Parts for Machine No. 61w12

No.	Plate	Name	Each
*202532	—	Bed with 202872	\$ —
202258	12153	" Hinge Connection (2)	.08
200570E	10245	" " Screw (4)	.05
206879	13351	" Plate (back)	.25
200577H	10245	" " Screw	.02
210616	10667	" Slide (front)	.30
202265	11671	Bobbin	.08
*202848	—	" Case	.01
202267	11671	" " Latch	.01
*202056	—	" " Pin	.05
202269	11671	" " Plunger	.01
202270	11671	" " Spring	.05
202716	11671	" " Tension Spring	.15
200984F	11671	" " " Regulating Screw	.04
200594F	11671	Bobbin Case Tension Spring Screw	.02
202717	13358	Bobbin Case complete, Nos. 200594F, 200984F, 202056, 202267, 202269, 202270, 202716 and 202848	1.00
200459D	13353	Cloth Guide Thumb Screw	.10
202514	10274	Compound Presser Bar 202506 with 202874 and 225832	2.50
202832	—	Compound Presser Bar 202514 with 202515 to 202519	4.70
202274	10667	Face Plate	.60
202135	10245	" " Position Pin	.01
200462B	10245	" " Thumb Screw	.10
202275	10667	Feed Bar	.50
200641c	10246	" " Hinge Screw (driving)	.25
201522E	10246	" " " Nut	.03
202276	10245	" " Slide Block	.15
202298	10245	" " " Crank with 200038c	.25
203124	—	" " " " 202298 with 200205F, 201518E and 202276	.55
200038c	10245	Feed Bar Slide Block Crank Pinch Screw	.05
200205F	10245	" " " " Hinge Screw	.10
201518E	10245	" " " " " Nut..	.04
202280	13360	" Dog	.50
200106E	10245	" " Screw (2)	.02
202297	10667	" Driving Connection with 200191E and 202277	.75
202298	10245	Feed Driving Connection Crank with 200038c	.25
200038c	10245	Feed Driving Connection Crank Pinch Screw	.05
200545c	10245	Feed Driving Connection Hinge Screw	.15
201518E	10245	" " " " " Nut	.04

Parts for Machine No. 61w12

No.	Plate	Name	Each
202277	—	Feed Driving Connection Oil Packing (wick)	\$.01
200191E	13353	Feed Driving Connection Pinch Screw ..	.03
202300	10246	" " Eccentric Regulating Bracket	1.00
203134	—	" " " " "	.01
		202300 with 202252, two each 201014c and 201525E	2.75
201014c	10245	Feed Driving Eccentric Regulating Bracket Hinge Screw	.25
201525E	10245	Feed Driving Eccentric Regulating Bracket Hinge Screw Nut	.03
202301	10246	Feed Driving Eccentric Regulating Bracket Plunger	.05
202595	10246	Feed Driving Eccentric Regulating Bracket Plunger Spring	.02
200607c	10246	Feed Driving Eccentric Regulating Bracket Plunger Spring Stop Screw ..	.15
201014c	10245	Feed Driving Eccentric Regulating Bracket Stop Screw	.12
201525E	10245	Feed Driving Eccentric Regulating Bracket Stop Screw Nut	.03
200429c	10246	Feed Driving Eccentric Regulating Screw	.08
200383c	10246	" " " " " Check Screw	.02
202303	10248	Feed Driving Rock Shaft	.40
206860	—	" " " " 202303 with 200641c, 201522E and 202275	1.20
202305c	10245	Feed Driving Rock Shaft Center (2)06
200043c	10246	" " " " " Set Screw (2)	.04
202306	10667	Feed Lifting Connection with 200191E and 202277	.75
202307	10246	Feed Lifting Connection Eccentric with 200382c and 200437c	.60
200437c	10246	Feed Lifting Connection Eccentric Position Screw	.06
200382c	13358	Feed Lifting Connection Eccentric Set Screw	.02
200545c	10245	Feed Lifting Connection Hinge Screw ..	.12
201518E	10245	" " " " " Nut	.04
202277	—	" " " Oil Packing (wick)	.01
200191E	13353	" " " Pinch Screw	.03
202308	13352	" " Rock Shaft	.35
202305c	10245	" " " " Center (2)	.01
200043c	10246	" " " " " Set Screw (2)	.04
202310	13352	Feed Regulating Spindle with 202311, 202443 and 202619	1.25
*202311	—	Feed Regulating Spindle Head	.01

No.	Plate	Name	Each
202443	10244	Feed Regulating Spindle Head Pin	\$.07
202619	10668	" " " " Position Pin	25
*206776	---	Hook (sewing)	25
206747	13359	" 206776 with 200145H, 200596F, 200614C, 202320, 203101, 206751, 206775 and 206978	2 50
206741	13359	Hook and Bobbin Case complete, Nos. 202717 and 206747	3 50
206978	13358	Hook Gib	60
200614C	11671	" " Hinge Screw	02
200596F	11671	" " Screw	02
203101	---	" Oil Wick	01
*202320	---	" Shaft, 1 1/2 in. long	45
202321	10245	" " Bushing (back)	45
200346C	10245	" " " " Set Screw	03
202322	10245	" " " (front)	45
200346C	10245	" " " " Set Screw	03
202323	10244	" " Connection Belt Pulley with 202324 and two 201018C	60
201018C	13353	Hook Shaft Connection Belt Pulley Set Screw	03
202324	10244	Hook Shaft Connection Belt Pulley Spring Flange	06
202260	---	Hook Shaft Oil Packing (wick) (2)	20
206775	11671	" " Pin	01
206751	11671	" Washer	05
200145H	11671	" " Screw	02
202445	10936	Knee Lifter Connection Lever with 202446	07
202786	---	Knee Lifter Connection Lever 202445 with 200224H, 200262H, 202447 and 202449	45
200224H	10248	Knee Lifter Connection Lever Hinge Screw	12
202447	10936	Knee Lifter Connection Lever Lifting Rod with 202302	06
202302	10248	Knee Lifter Connection Lever Lifting Rod Cotter Pin	01
202446	10246	Knee Lifter Connection Lever Pin	03
202449	10936	" " Lifting Lever	10
200262H	10248	" " " " Hinge Screw	10
202649	13358	Needle Bar (offset, hollow) with 200141F	80
202327	10248	" " Bushing	50
206881	---	" " " 202327 with 202649	1 30
200352C	10248	" " " Set Screw	03
202331	10248	" " Connecting Link	1 25
202332	10668	" " " " Oil Guard	10

No.	Plate	Name	Each
200161D	10247	Needle Bar Connecting Link Oil Guard Screw	\$.04
202333	10248	Needle Bar Connecting Link Stud with 202254	25
202254	---	Needle Bar Connecting Link Stud Oil Packing (wick)	01
200374C	10668	Needle Bar Connecting Link Stud Set Screw	02
*206891	---	Needle Bar Connecting Stud	---
202329	10248	" " " " 206891 with 200086C and 202330	35
202330	---	Needle Bar Connecting Stud Oil Packing (wick)	01
200086C	10248	Needle Bar Connecting Stud Pinch Screw	03
202328	13352	" " Crank with 200335C, 200428C, 202333 and two 200374C	1 00
203117	---	Needle Bar Crank 202328 with 202329, 202331 and 202398 to 202400	4 30
203172	10248	Needle Bar Crank Friction Washer	05
200428C	10248	" " " Position Screw	08
200335C	10244	" " " Set Screw	04
200141F	10248	" Set Screw	02
202506	13359	Presser Bar (hollow)	80
202509	13358	" " Auxiliary Bar with 200543H	75
202510	10275	" " " " Collar with 200141F	06
200141F	10248	Presser Bar Auxiliary Bar Collar Set Screw	02
200543H	10275	Presser Bar Auxiliary Bar Foot Screw	05
202512	10275	" " " " Pin	01
202513	10275	" " " " Spring	02
*206901	---	" " Bracket	---
202507	10275	" " " 206901 with 200387C	75
202871	---	" " " 202507 with 202509, 202510, 202512 and 202513	1 60
200387C	10275	Presser Bar Bracket Set Screw	02
202336	10249	" " Bushing	35
200352C	10248	" " " Set Screw	03
202339	10249	" " Lifter	25
200653C	10249	" " " Hinge Screw	06
202340	10249	" " Lifting Releasing Lever Bracket	1 10
200260D	10249	Presser Bar Lifting Releasing Lever Bracket Guide Screw	12
202342	10249	Presser Bar Lifting Releasing Lever Bracket Spring (spiral)	02
202337	10249	Presser Bar Position Guide	30
202338	10249	" " " " Lever with 200086F	30

No.	Plate	Name	Each
200086F	10248	Presser Bar Position Guide Lever Pinch Screw	\$ 03
200352C	10248	Presser Bar Position Guide Set Screw ..	03
206752	13358	" " Spring (light)	05
202346	10249	" " " Stop Rod	05
225832	13358	" " Stop Collar with 200113F ..	15
200113F	13358	" " " Set Screw	03
200492B	10249	" " Thumb Screw (pressure regulating)	25
200475B	10668	Presser Bar Thumb Screw Thumb Set Screw	08
202355	10668	Presser Bar Thumb Screw Thumb Set Screw Packing (brass)	01
202515	10275	Presser Foot	40
202068	12153	Spool Holder Base	15
200575H	10668	" " " Screw	05
204296	12153	" " Wire	10
200079H	10668	" " " Hinge Screw	02
204297	12153	Spool Holder complete, Nos. 200079H, 202068 and 204296	25
202397	10668	Take-up (auxiliary)	15
200842F	10668	" " " Screw	10
202398	10247	" Lever	1 20
202399	10247	" " Driving Stud with 202277 ..	25
202277	—	" " " " Oil Packing (wick)	01
202400	10247	Take-up Lever Hinge Stud with 202423	25
202423	—	" " " " Oil Packing (wick)	01
200383C	10246	Take-up Lever Hinge Stud Set Screw ..	02
202401	10247	" " Oiling Felt	02
200132E	10247	" " " " Screw	02
202402	10247	Tension Disc (back)	05
202403	10247	" " (front)	10
202404	10247	" Release Plunger	05
202405	10247	" " Washer	15
202407	10247	" Spring	05
200625F	10247	" Stud with 204925	15
200081C	10247	" " Set Screw	02
204925	10668	" " Washer	01
201572B	13358	" Thumb Nut	04
202409	10252	Tension complete, Nos. 200625F, 201572B, 202402, 202403, 202405, 202407 and 202410	55
202410	10252	Thread Controller Spring	03
202411	10252	" " " Stop	10
200132E	10247	" " " " Screw	02
202413	10252	" Guide	05
202414	10252	" "	03

No.	Plate	Name	Each
202415	10252	Thread Guide	\$ 10
202417	10252	" "	02
200582H	10252	" " Screw	02
200355H	10272	" " Set Screw	03
200368H	10668	" " " "	02
202091	10252	" Retainer Sleeve	05
202092	10252	" " Spring	01
204058B	10252	" " Stud	07
200368H	10668	" " " Set Screw	02
204059	10668	Thread Retainer complete, Nos. 202091, 202092 and 204058B	15
202814	13360	Throat Plate, 50 needle hole, for needle sizes 14 and 15, with 202534, 202619 and two 200583H	75
202534	10668	Throat Plate Bobbin Case Stop	25
202619	10668	" " " " " Position Pin	25
200583H	10668	Throat Plate Bobbin Case Stop Screw ..	02
202872	10668	" " Position Pin	25
200577H	10245	" " Screw (2)	02

MACHINE No. 61w13

For Collars and Cuffs

This Machine is the same as No. 61w12 with the following exceptions:

No.	Plate	Name	Each
*203170	—	Arm 202242 and Bed 202532 with two 204235, three each 200010c and 202905, in place of 207048	\$ —
206777	—	Hook 206776 with 200145n, 200596c, 200614c, 202320, 203101, 206751, 206775 and 206852, in place of 206747	2.50
206742	13359	Hook and Bobbin Case complete, Nos. 202717 and 206777, in place of 206741	3.50
206852	13353	Hook Gib, in place of 206978	.60
202729	13358	Needle Bar with 200141c, in place of 202649	.80
206890	—	Needle Bar Bushing 202327 with 202729, in place of 206881	1.30

ACCESSORIES

No.	Plate	Name	Each
200157b	13353	Attachment Screw	\$.04
202265	11671	Bobbin (5)	.08
225497	12153	" Case Screw Driver	.10
225745	10338	Guide (combination)	.25
202511	10274	Presser Bar Auxiliary Bar Foot Screw Wrench	.06
202516	10275	Presser Foot	.10
202517	10275	" "	.30
202518	10275	" "	.10
202519	10275	" "	.10
61 x 1	—	Needles, three each, sizes 19 and 12	Per doz. .29
225180	—	Drip Pan (short) with four wood screws ½ in., No. 5	.23
41400	12153	Machine Rest Pin (wood)	.04
36578	12153	Oilier with 36579	.10
36579	12153	" Spout, 3 in. long	.06
225498	12153	Screw Driver, 7¼ in. long	.15
225554	12153	Wrench (steel)	.10

BOBBIN WINDER

Swing Automatic, Right Hand

202470	10271	Bobbin Winder Base	.15
202471	10271	" " Frame	.15
200221b	10272	" " " Hinge Screw	.13
202472	10271	" " " Spring	.20
200161b	10247	" " " " Screw	.10
202473	10271	" " Pulley with 200380c	.20
200380c	10272	" " " Set Screw	.02
202474	10271	" " Spindle	.15
202475	10272	" " Stop Latch	.10
200056c	10272	" " " " Screw	.02
202477	10272	" " " " Thumb Lever	.15
200299r	10272	" " " " " "	.05
200299r	10272	Hinge Screw	.05
200299r	10272	Bobbin Winder Stop Latch Thumb Lever Joint Screw	.03
201537r	10272	Bobbin Winder Stop Latch Thumb Lever Joint Screw Nut	.03
202478	10272	Bobbin Winder Stop Latch Trip Lever	.10
200299r	10272	" " " " " "	.05
		Hinge Screw	.05

No.	Plate	Name	Each
202479	10271	Bobbin Winder complete, Nos. 200056E, 200161D, 200221D, 201537H, 202470 to 202475, 202477, 202478, three 200299H and two round head wood screws 1½ in., No. 14	\$1.35
202480	10271	Bobbin Winder Spool Holder Base with 200355H and 20248415
202481	10271	Bobbin Winder Spool Holder Base Spool Pin05
202482	10272	Bobbin Winder Spool Holder Tension Disc (lower or upper)02
200011E	10272	Bobbin Winder Spool Holder Tension Disc Screw05
200355H	10272	Bobbin Winder Spool Holder Tension Disc Screw Set Screw03
202483	10272	Bobbin Winder Spool Holder Tension Disc Spring (brass)01
202484	10272	Bobbin Winder Spool Holder Tension Disc Thread Guide01
202485	10271	Bobbin Winder Spool Holder complete, Nos. 200011E, 202480, 202481, 202483, two 202482 and one wood screw 1 in., No. 1335
202264	—	Bobbin Winder and Spool Holder complete, Nos. 202479 and 202485	1.65

GUIDE

For Collar and Cuff Work

225732	10335	Guide with 22623615
225733	10335	" Bracket with 200855E40
225735	10335	" " Base40
200158D	10335	" " " Hinge Screw04
201526E	10335	" " " " " Nut03
226071	10335	" " " " " Spring05
		Washer05
200855E	13358	Guide Bracket Screw Stud02
201563B	10335	" " " " Thumb Nut10
225734	10335	" " " " Washer01
226236	10335	" Pin01
225738	—	Guide and Swing Bracket complete, Nos. 200158D, 201526E, 201563B, 225732 to 225735 and 226071	1.20

KNEE LIFTER PARTS

227781	10936	Knee Lifter Rock Lever with 200522C and 200529C35
227782	—	Knee Lifter Rock Lever 227781 with two each 202451 and 20245250

No.	Plate	Name	Each
227783	—	Knee Lifter Rock Lever 227782 with 202985 and 227784	\$.85
202453	10936	Knee Lifter Rock Lever Knee Plate with 200526C17
202985	—	Knee Lifter Rock Lever Knee Plate 202453 with 20245525
202455	10936	Knee Lifter Rock Lever Knee Plate Arm (short)10
200522C	13353	Knee Lifter Rock Lever Knee Plate Arm Set Screw06
200526C	13353	Knee Lifter Rock Lever Knee Plate Set Screw05
202451	10936	Knee Lifter Rock Lever Lug with two wood screws ¾ in., No. 13H05
202452	13353	Knee Lifter Rock Lever Lug Hinge Pin02
227784	10936	" " " " Rod, 3 in. long, with 22778506
*227785	—	Knee Lifter Rock Lever Rod Cap or Oil Guard	—
200529C	13353	Knee Lifter Rock Lever Rod Set Screw (Other Knee Lifter Parts are listed with parts of machine head).	.05

FEED DOGS

No.	Plate	Name	Each
202279	13360	Feed Dog, for collar and cuff work, for 202814	\$ 50
202280	13360	Feed Dog, for long stitch, for 202814 ...	50
202289	13360	" " " collar and cuff work, for 202948	50
202555	13360	Feed Dog, for 202814	50
206994	13360	" " " short stitch, for 203106 ..	50
207053	13360	" " " shirt, collar and cuff work, for 202948	50
207054	13360	Feed Dog, for shirt, collar and cuff work, for 202948	50

THROAT PLATES

No.	Plate	Name	Each
202814	13360	Throat Plate, 50 needle hole, for needle sizes 14 and 15, with 202534, 202619 and two 200583u, for 202279, 202280 and 202555	\$ 75
202948	13360	Throat Plate, 56 needle hole, for needle sizes 10 and 11, with 202534, 202619 and two 200583u, for 202289, 207053 and 207054	75
203106	13360	Throat Plate, 50 needle hole, for needle sizes 14 and 15, with 202534, 202619 and two 200583u, for short stitch, for collar and cuff work, for 206994	75

PRESSER FEET

202515	10275	Presser Foot	40
202516	10275	" "	40
202517	10275	" "	60
202518	10275	" "	40
202519	10275	" "	40
202520	10275	" "	40
202526	—	" " 202520 with 202521 to 202525 and 206845	1 75
202846	10275	Presser Foot	40
202952	—	" " 202846 with 202521 to 202525 and 206845	1 75
202521	10275	Presser Foot Yielding Extension	25
202522	10275	" " " "	20
202523	10275	" " " "	20
202524	10275	" " " "	20
202525	10275	" " " "	20
206845	13358	" " " "	30

GUIDES

No.	Plate	Name	Each
226237	10909	Guide, for collar and cuff work	15
231337	13353	" " cloth	10
225731	10909	" " collar and cuff work	10
225742	10909	" (combination), for collar and cuff work	15
225743	10909	Guide (combination), for collar and cuff work	15
225745	10338	Guide (combination), for collar and cuff work	25
225746	10338	Guide Adjustable (combination) with 200187R and 225985, for narrow gauge collar and cuff work	40
225985	10338	Guide Adjustable Guide	15
200187R	10338	" " " Screw	04

GUIDE

For Collar and Cuff Work

225732	10335	Guide with 226236	15
225733	10335	" Bracket with 200855E	40
225735	10335	" " Base	40
200158D	10335	" " " Hinge Screw	04
201526E	10335	" " " " " Nut	03
226071	10335	" " " " " Spring	05
		Washer	02
200855E	—	Guide Bracket Screw Stud	01
201563D	10335	" " " " Thumb Nut	10
225734	10335	" " " " Washer	01
226236	10335	" Pin	01
225738	—	Guide and Swing Bracket complete, Nos. 200158D, 201526E, 201563D, 225732 to 225735 and 226071	1 20

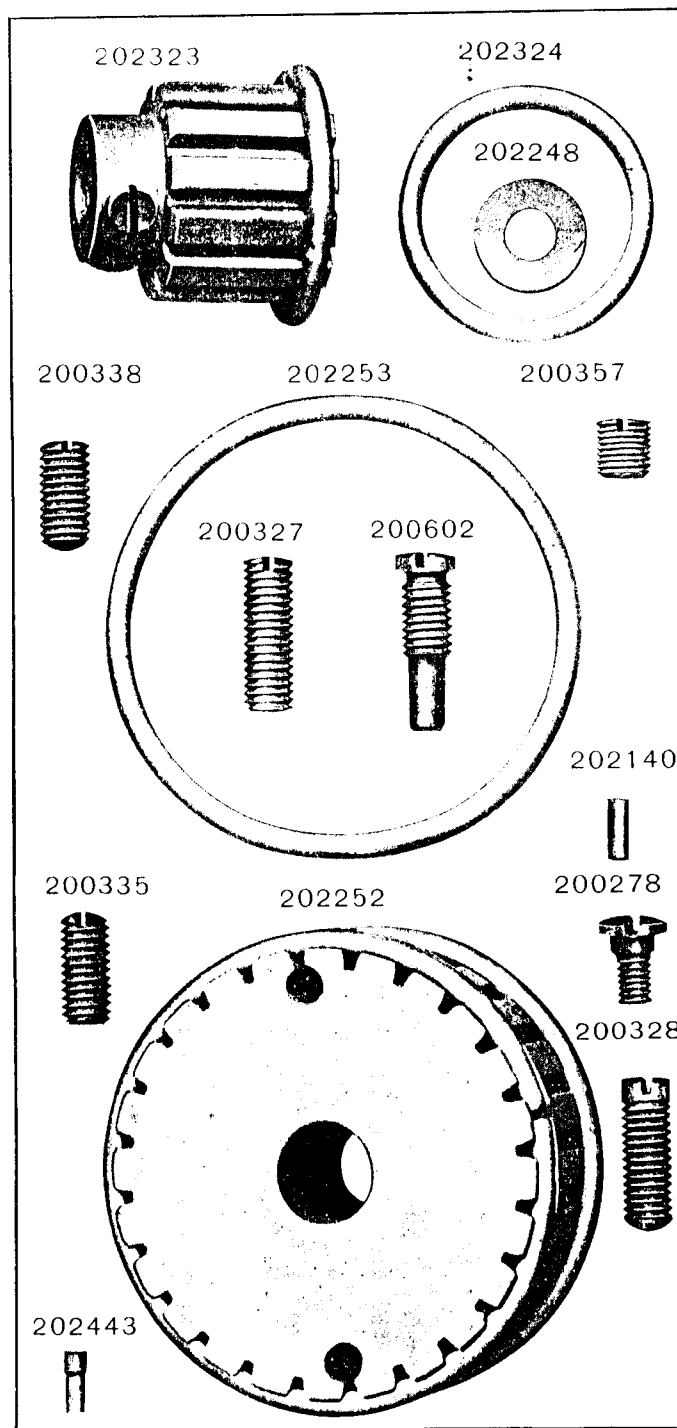


PLATE 10245-FULL SIZE

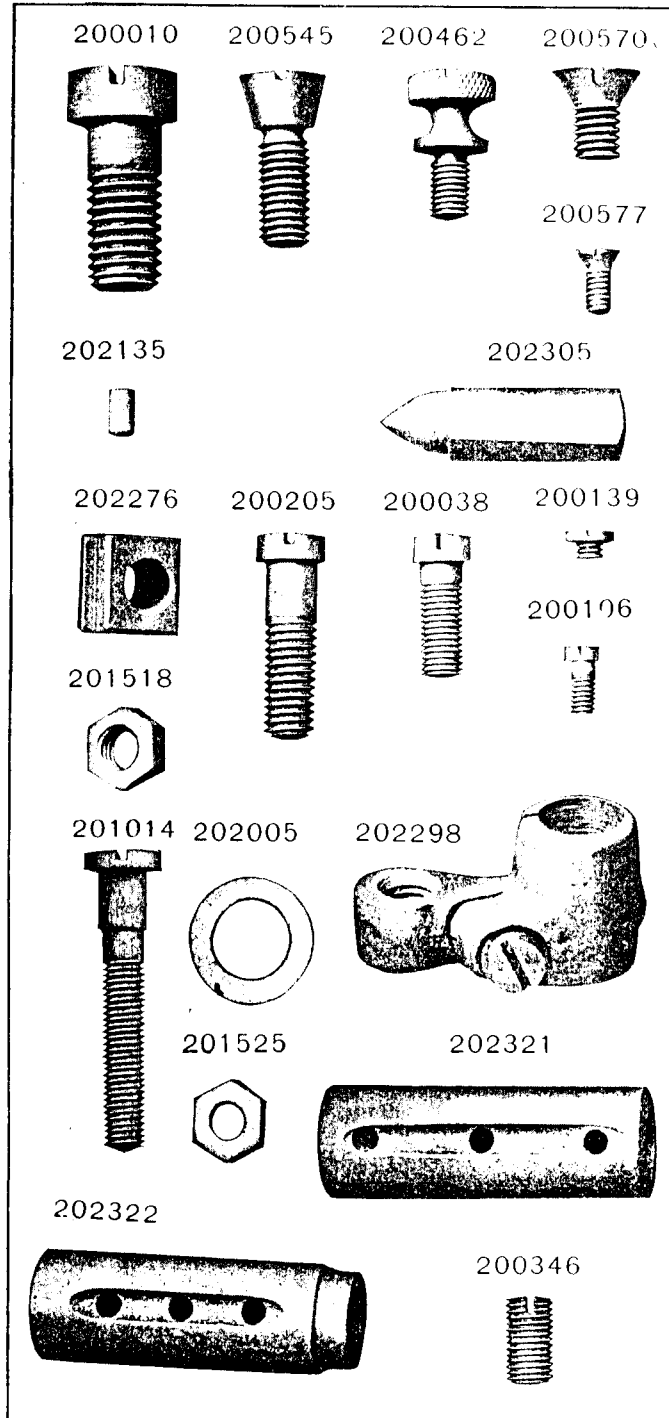


PLATE 10246-FULL SIZE

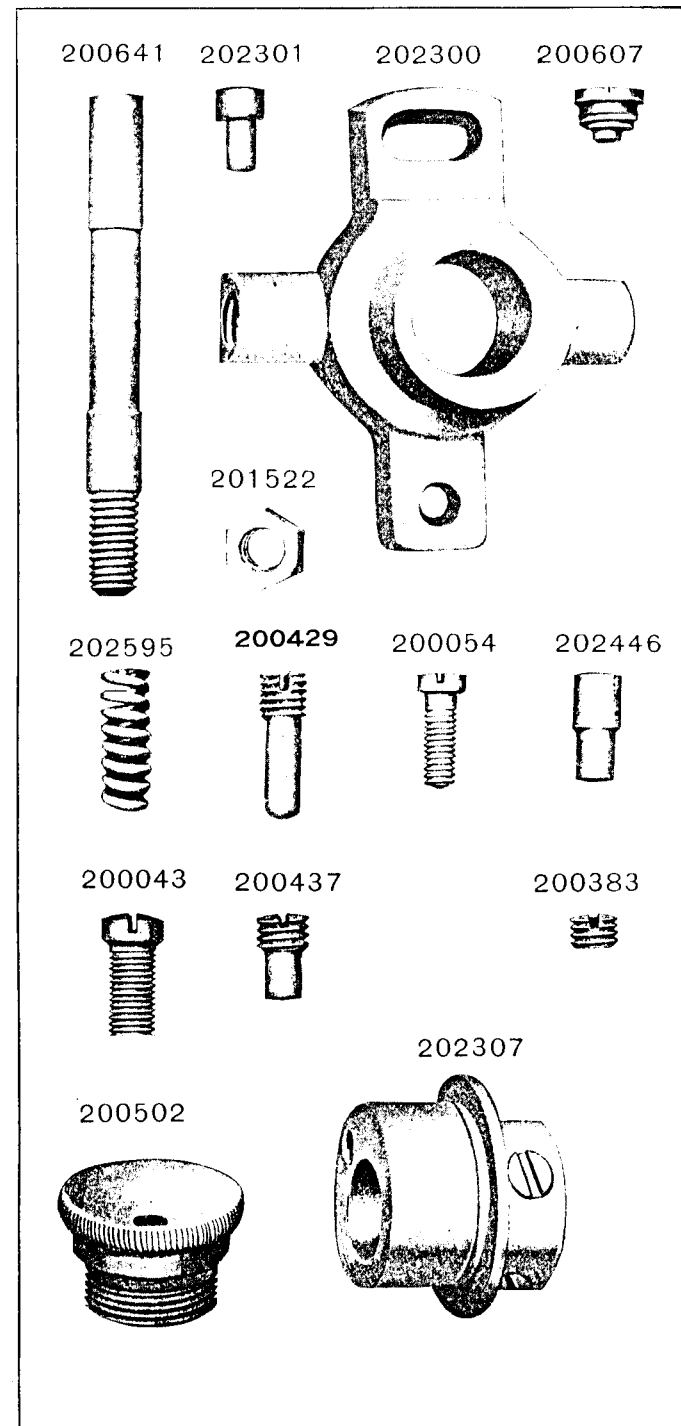


PLATE 10247-FULL SIZE

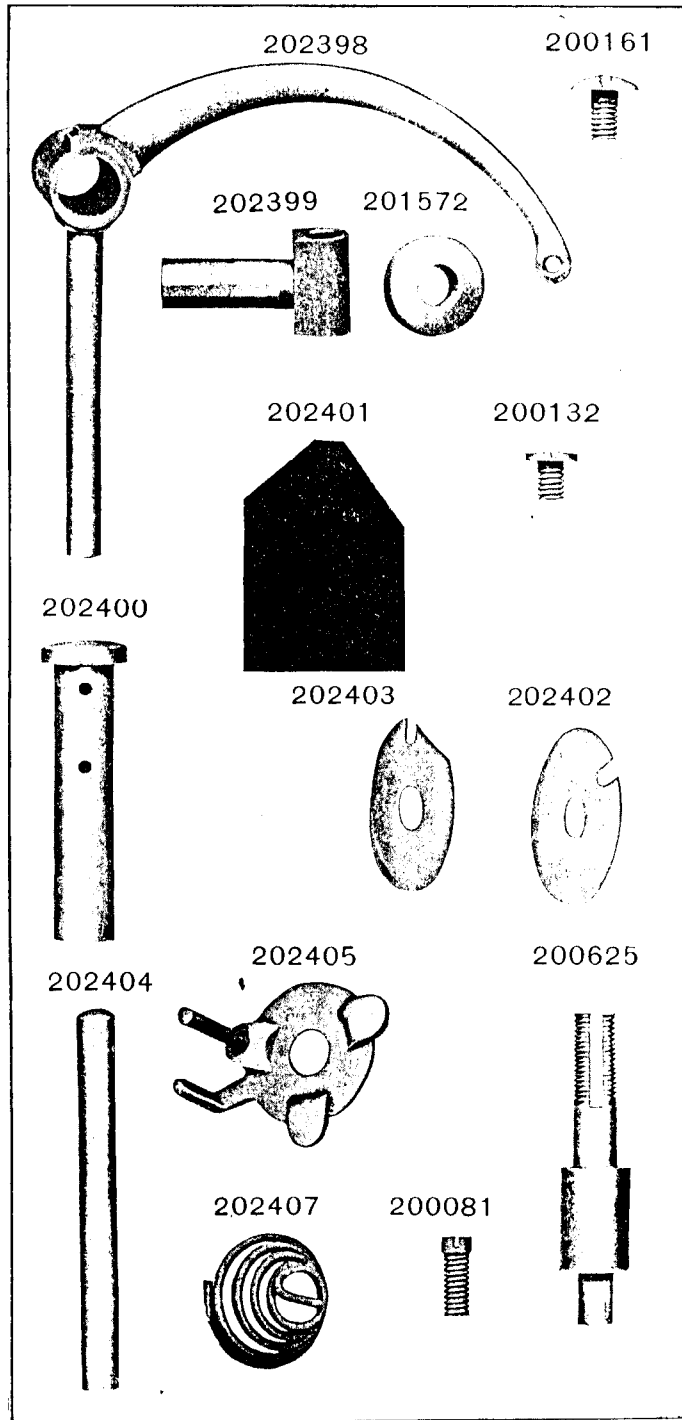


PLATE 10248-FULL SIZE

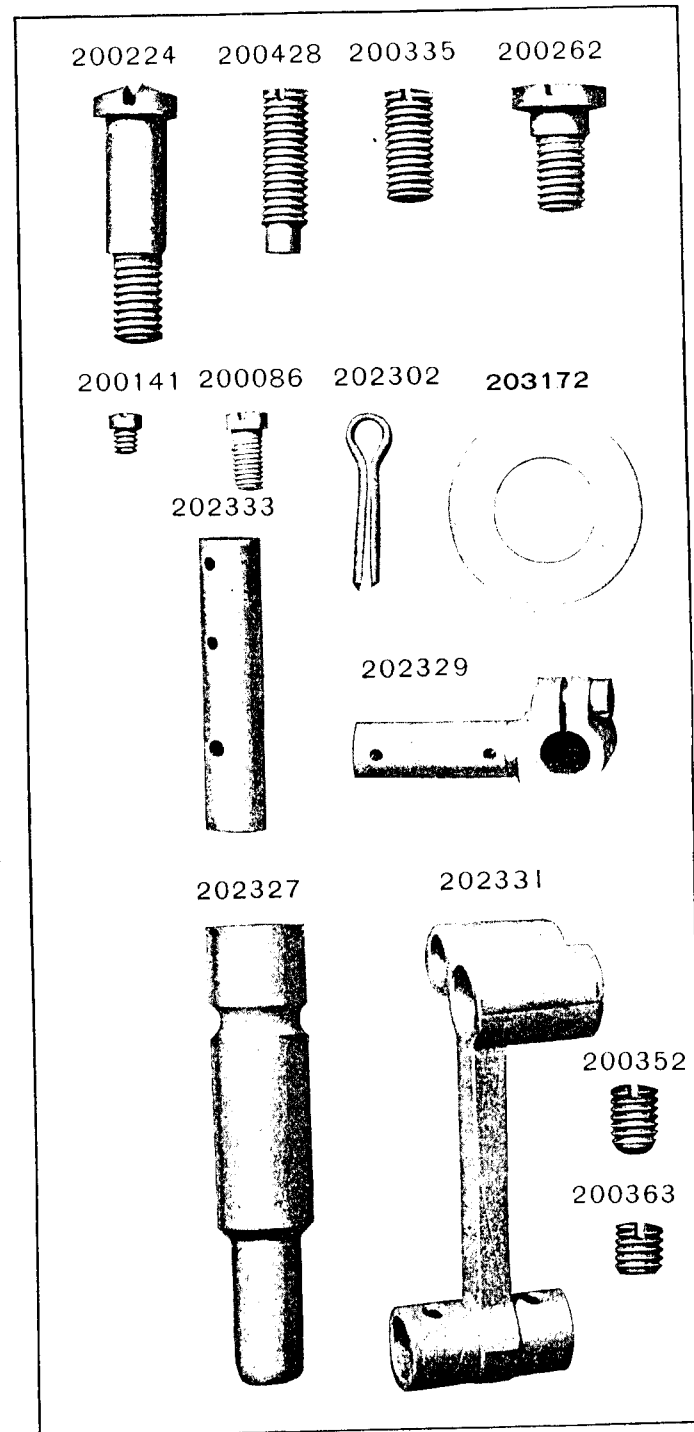


PLATE 10249-FULL SIZE

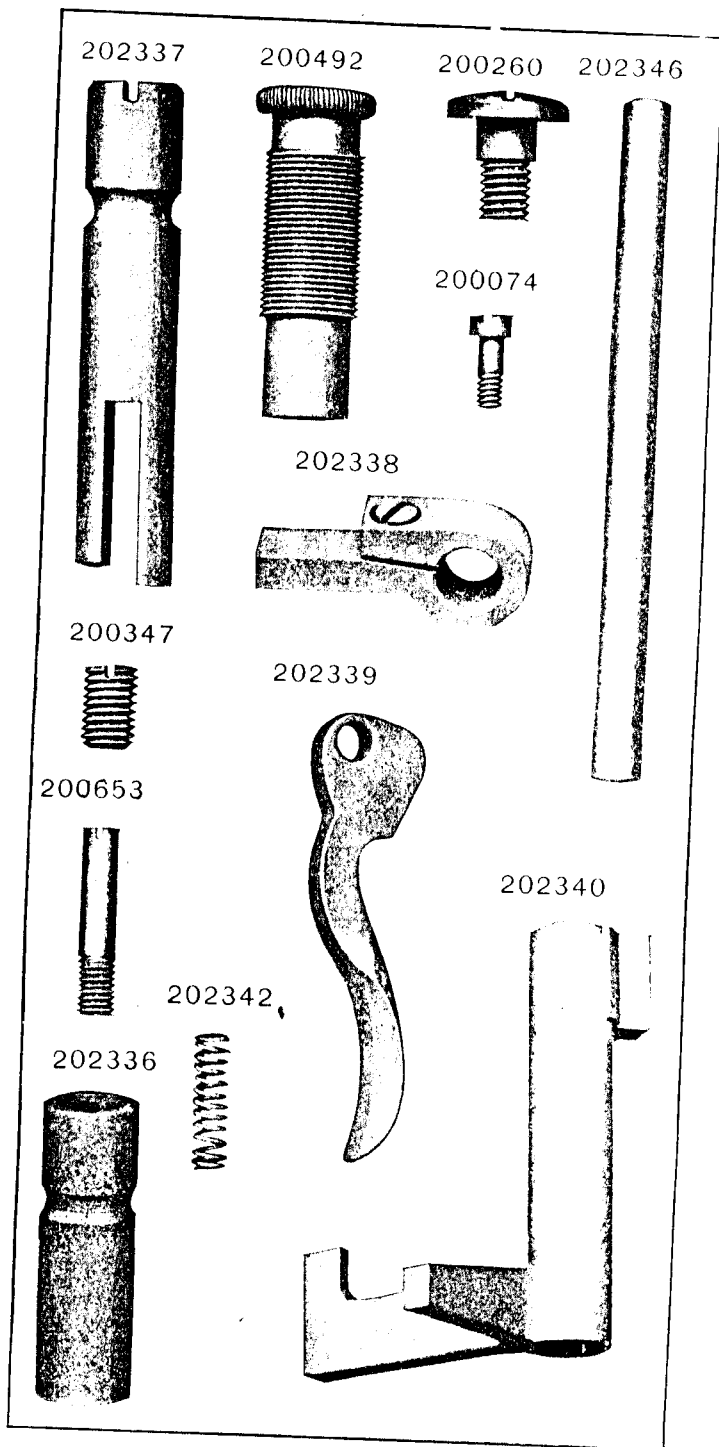


PLATE 10252-FULL SIZE

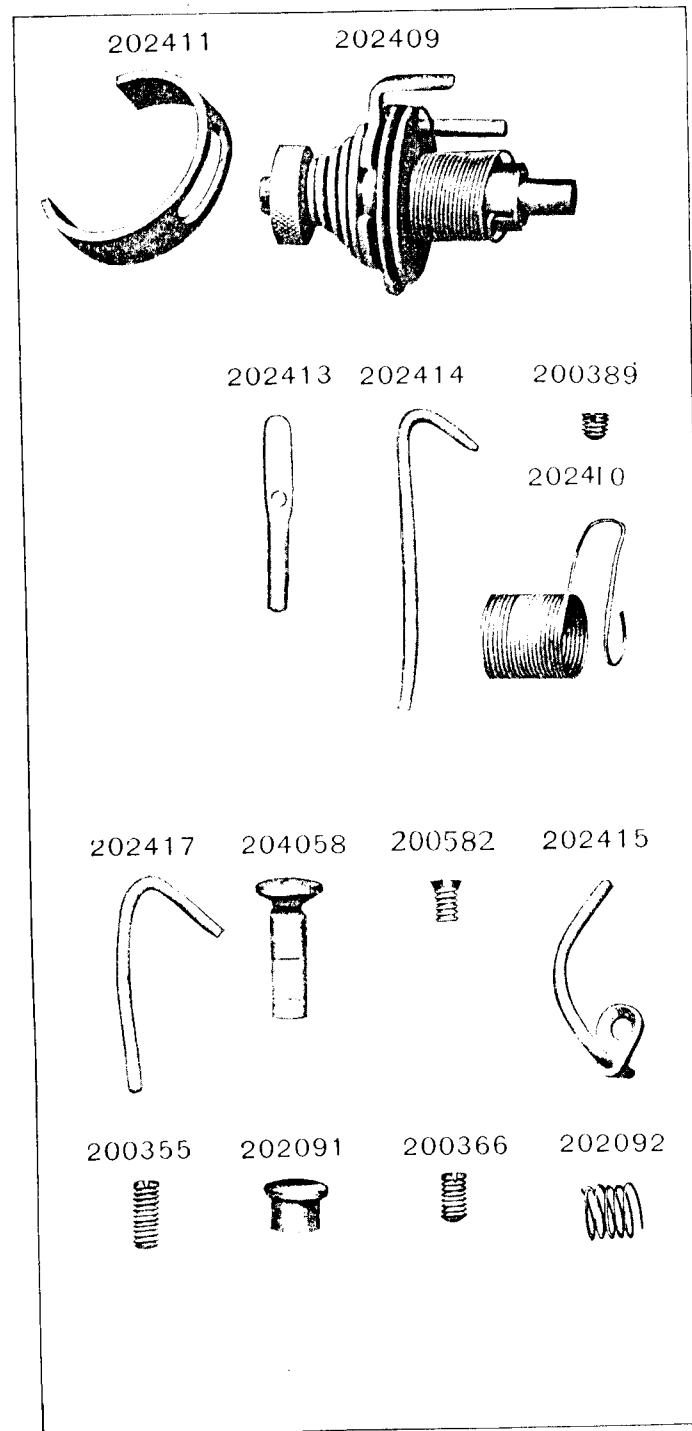


PLATE 10271—ONE-HALF SIZE

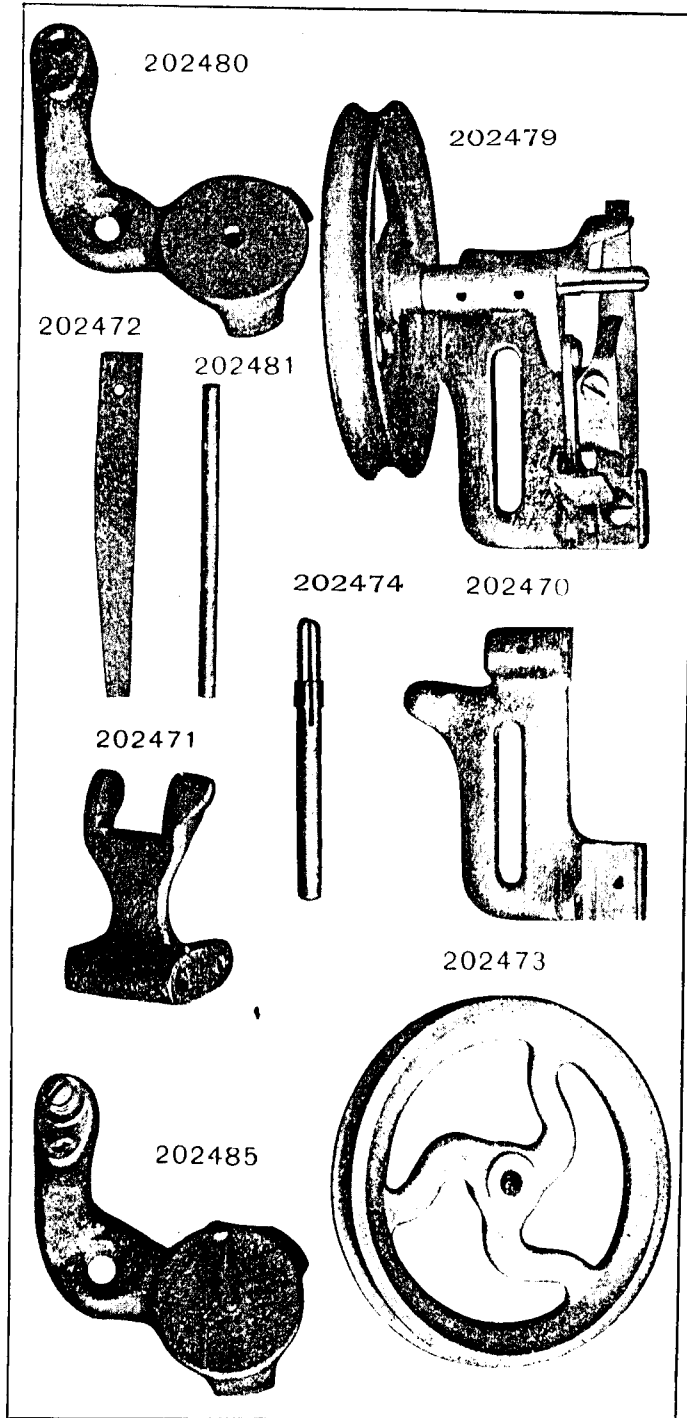


PLATE 10272—FULL SIZE

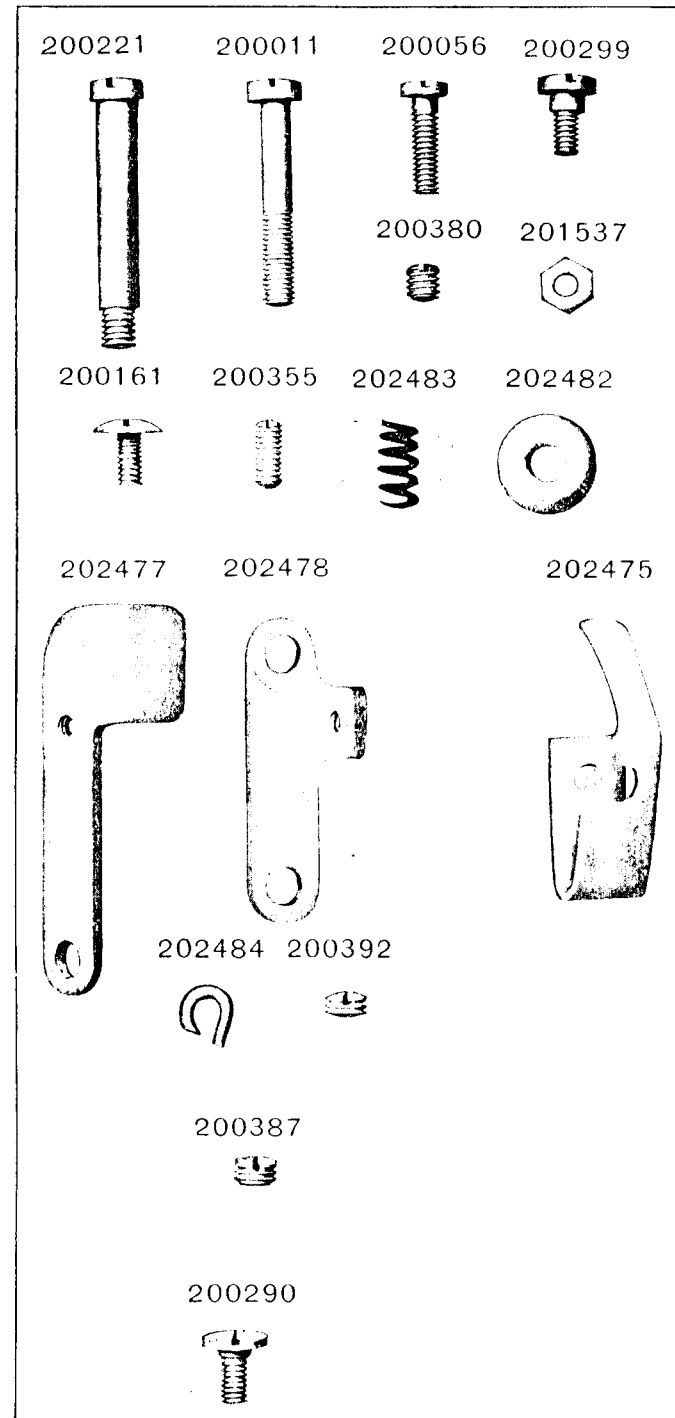


PLATE 10274-FULL SIZE

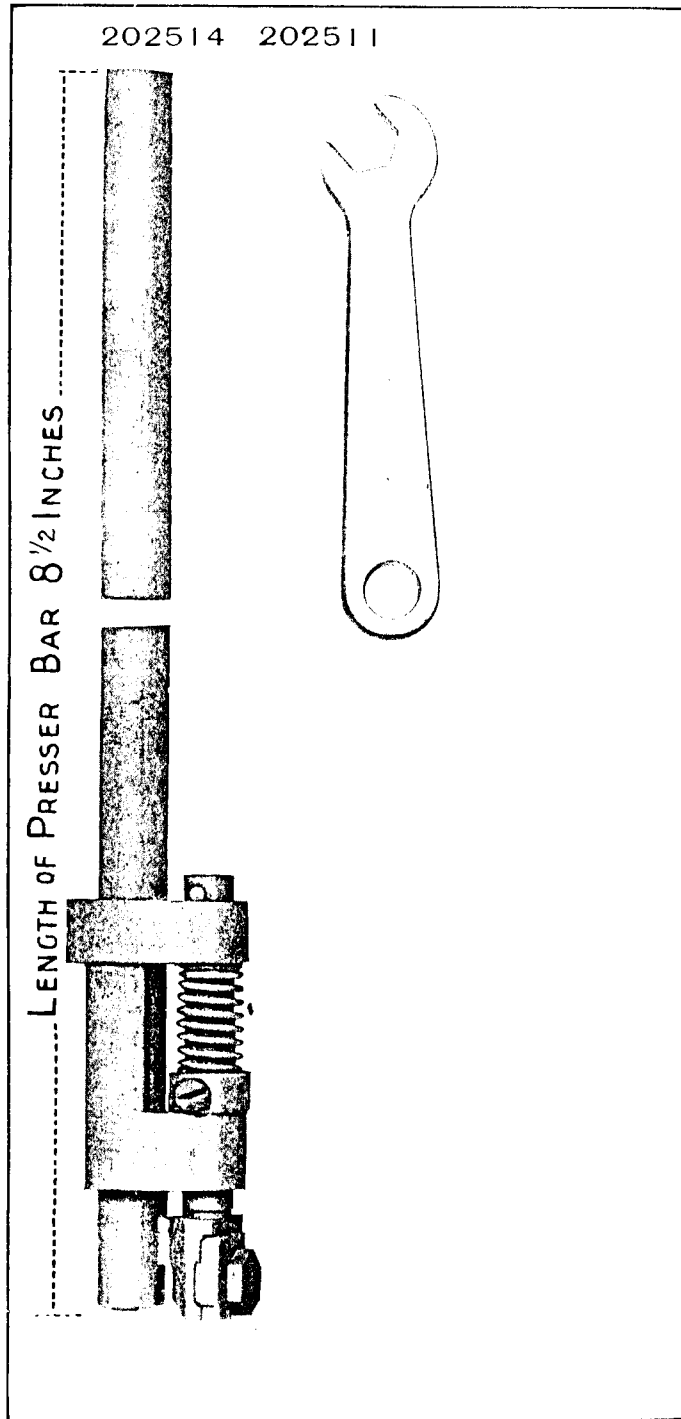


PLATE 10275-FULL SIZE

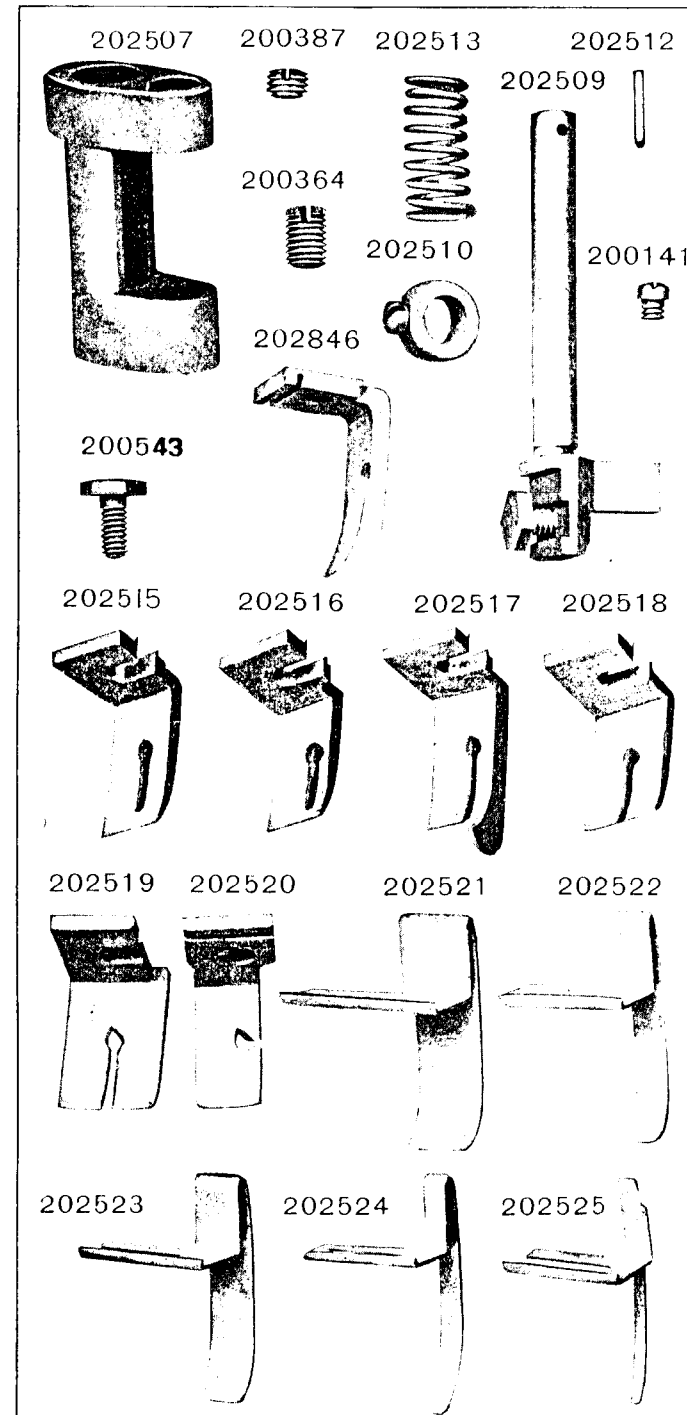


PLATE 10335-FULL SIZE

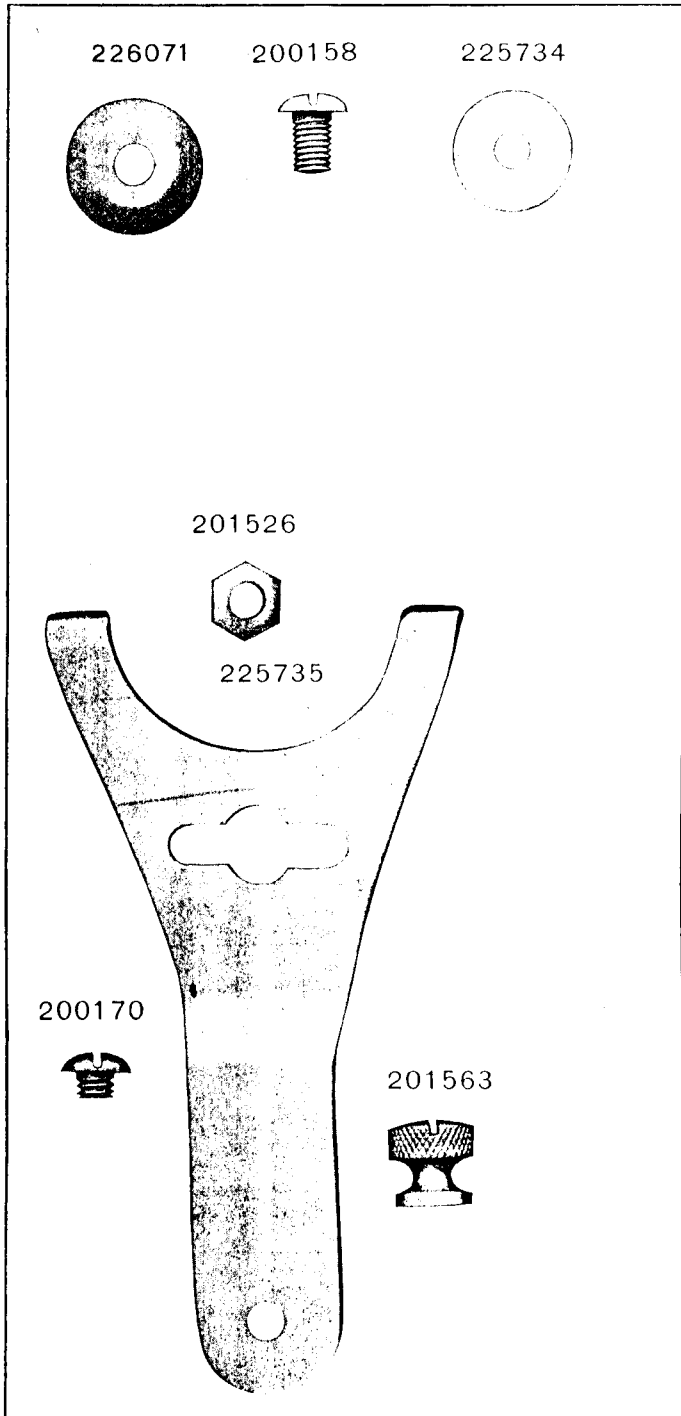


PLATE 10338-FULL SIZE

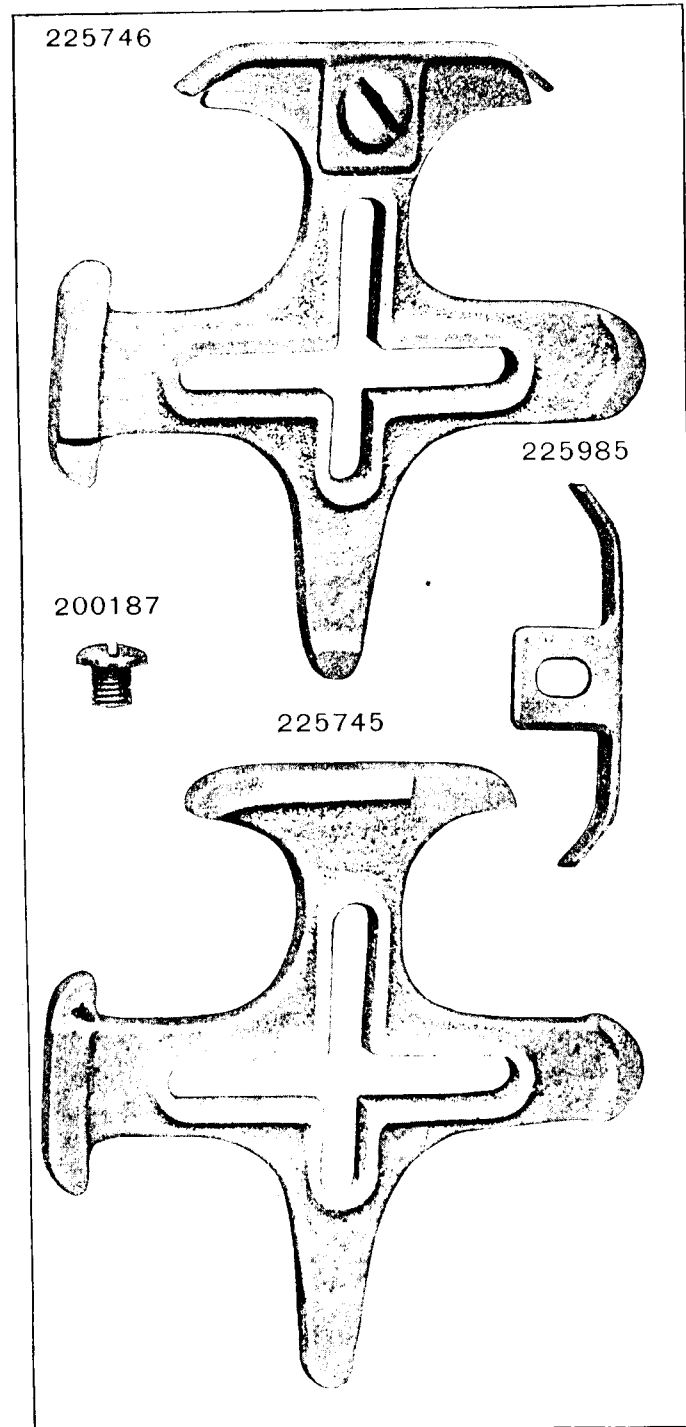


PLATE 10667 - ONE - HALF SIZE

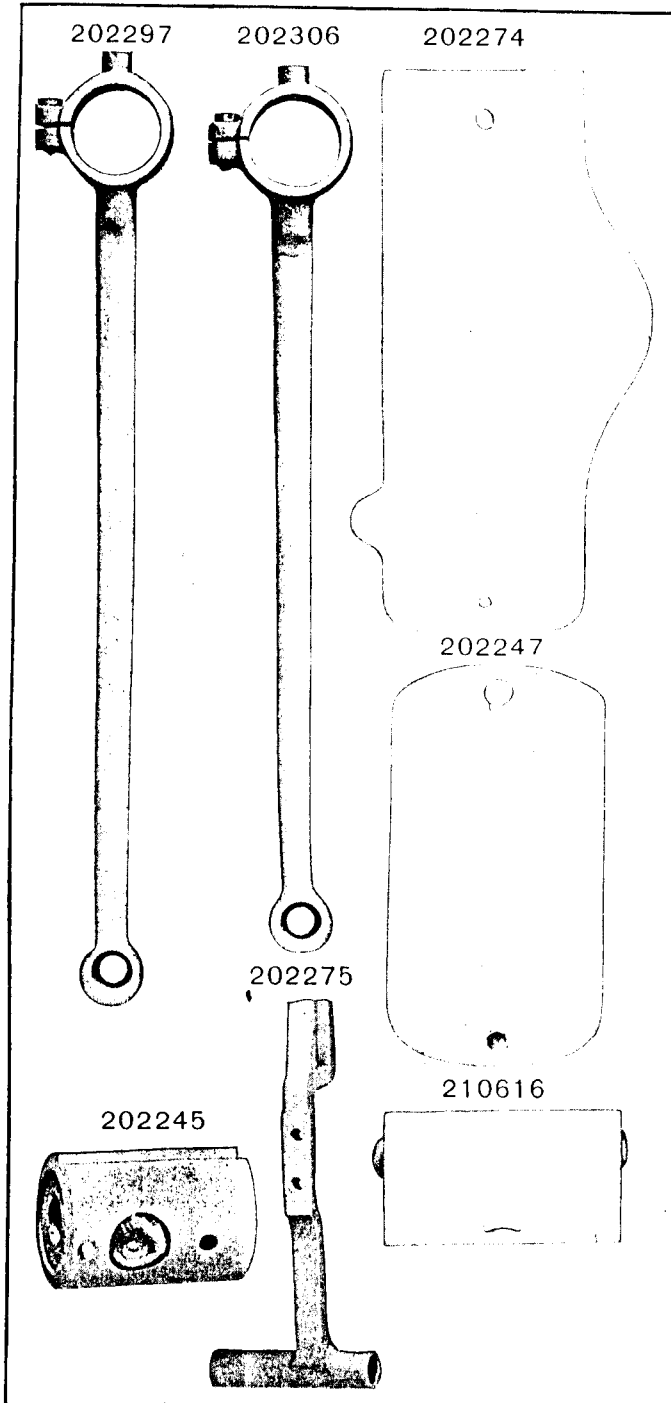


PLATE 10668 - FULL SIZE

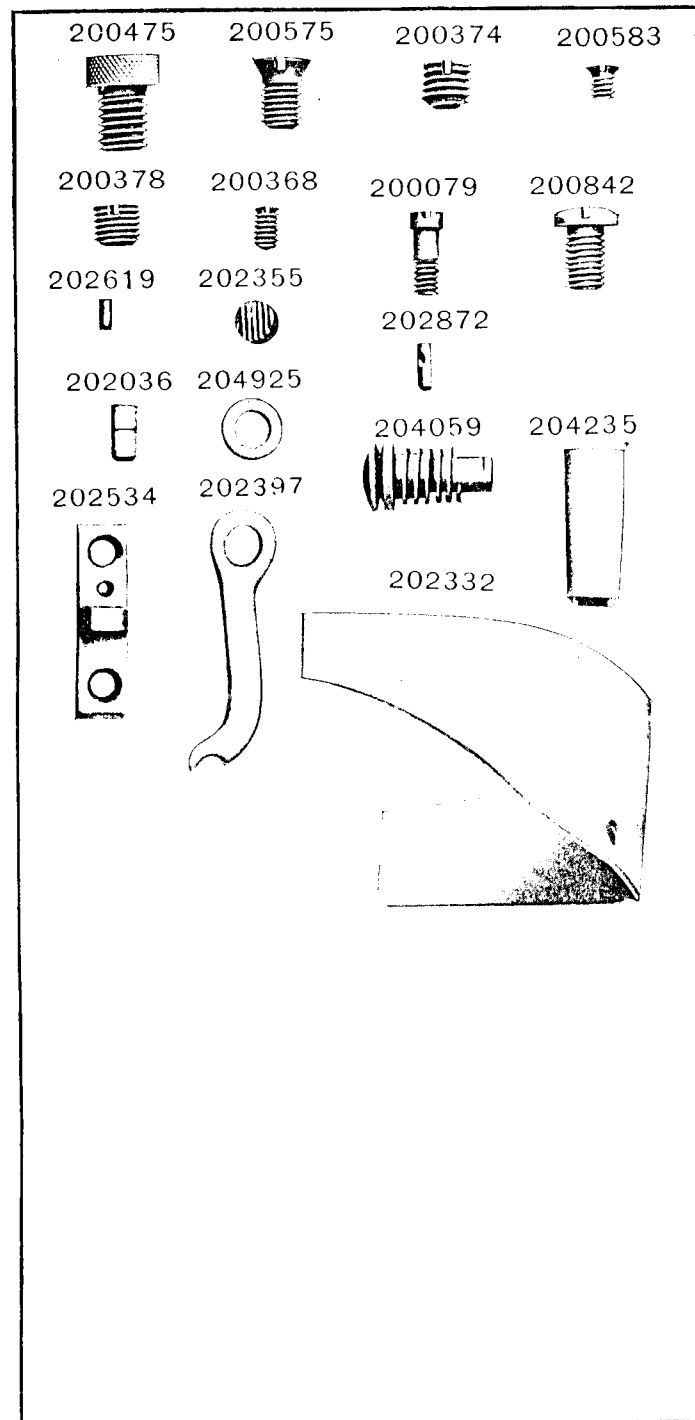


PLATE 10909 -FULL SIZE

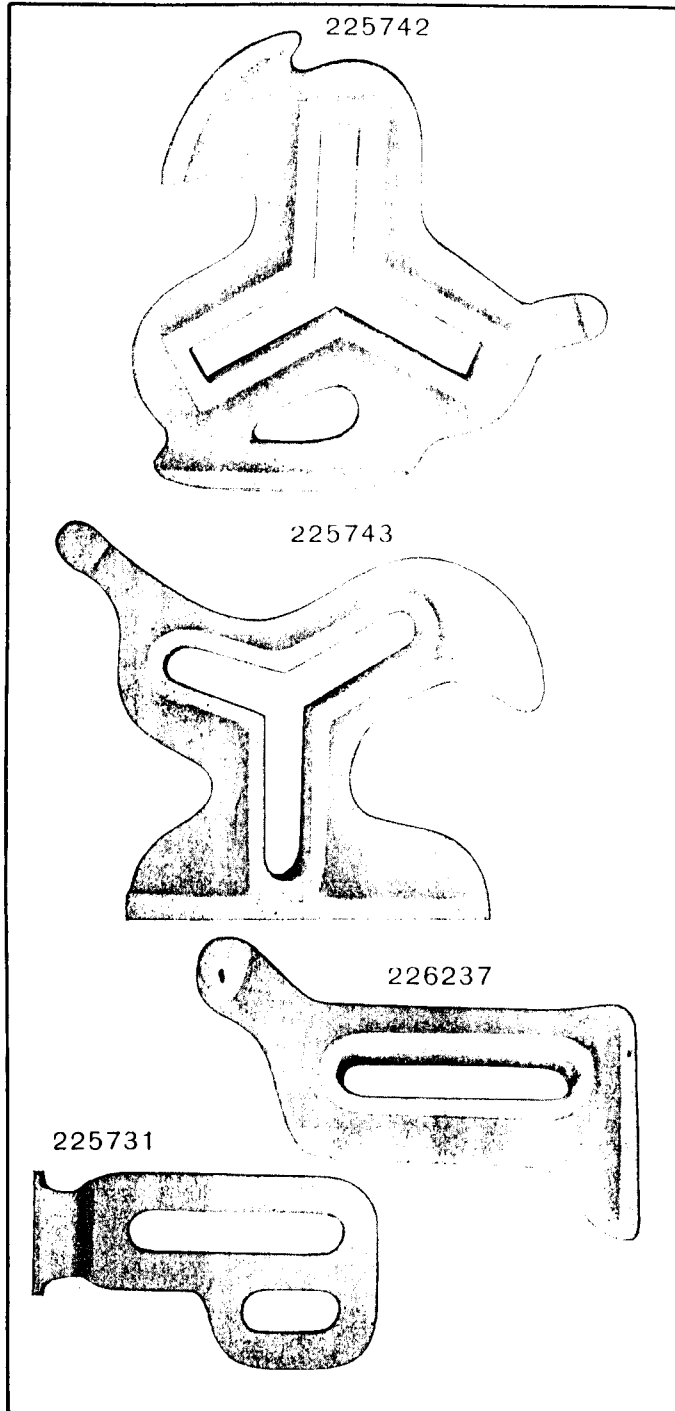


PLATE 10936 -ONE-FOURTH SIZE

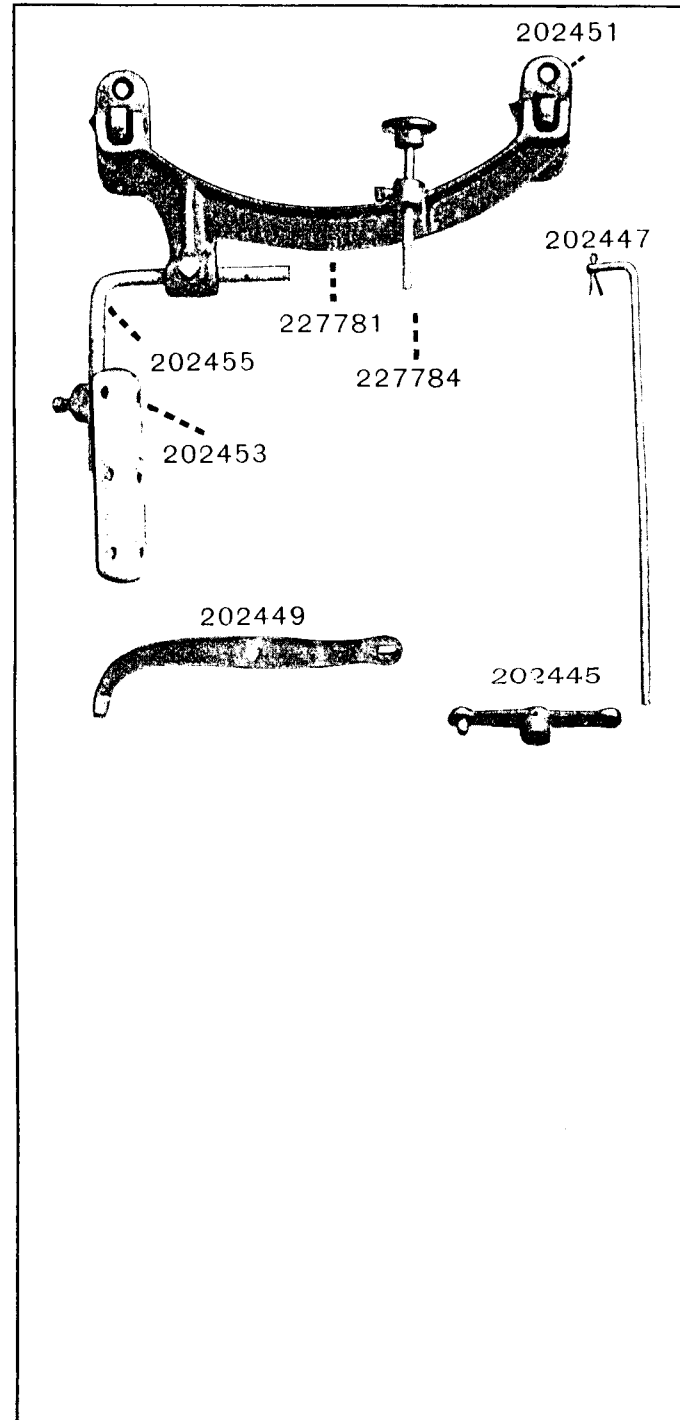


PLATE 11671-FULL SIZE

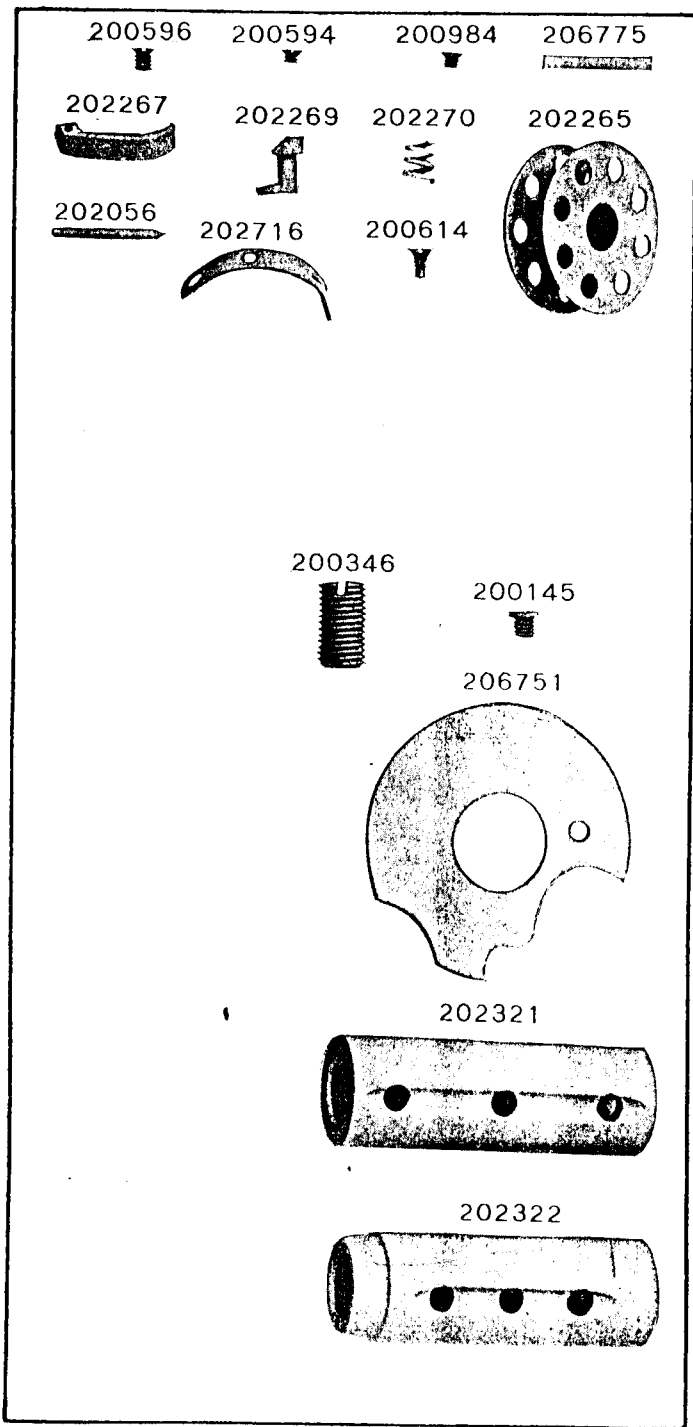


PLATE 12153-ONE-HALF SIZE

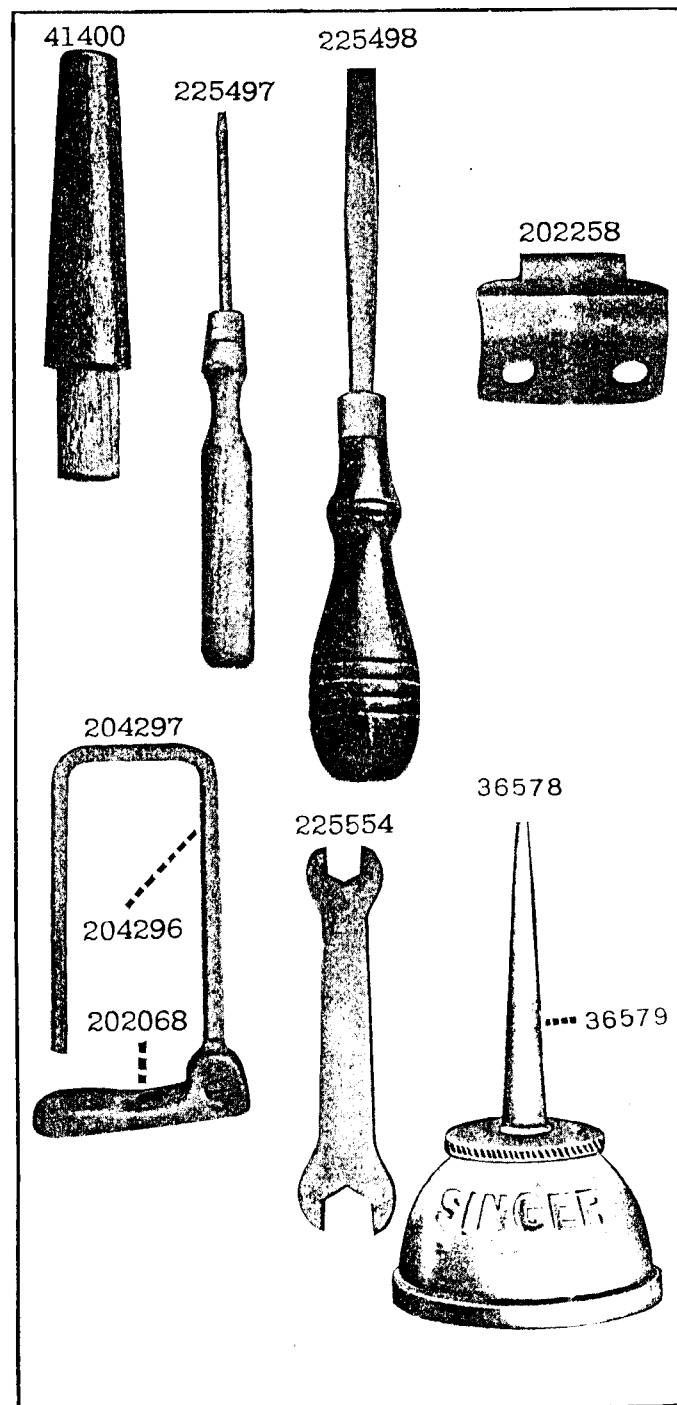


PLATE 13351—ONE-HALF SIZE

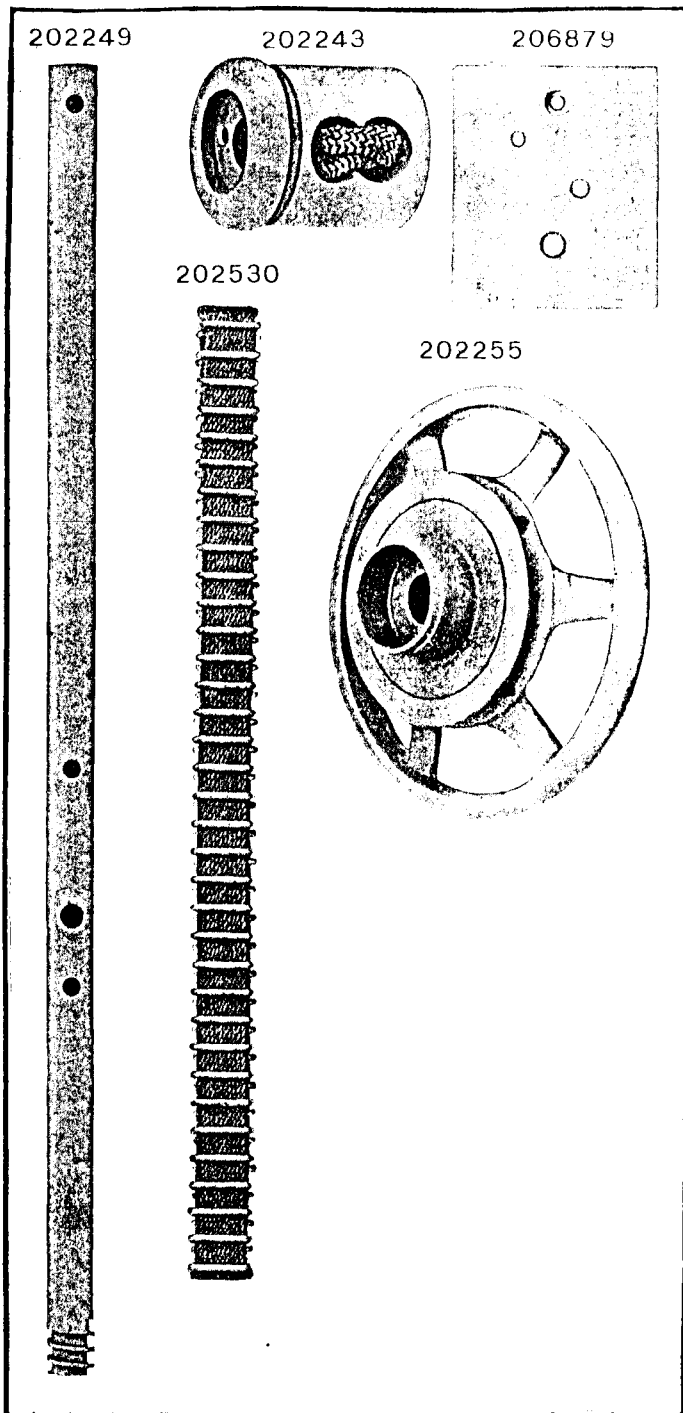


PLATE 13352—ONE-HALF SIZE

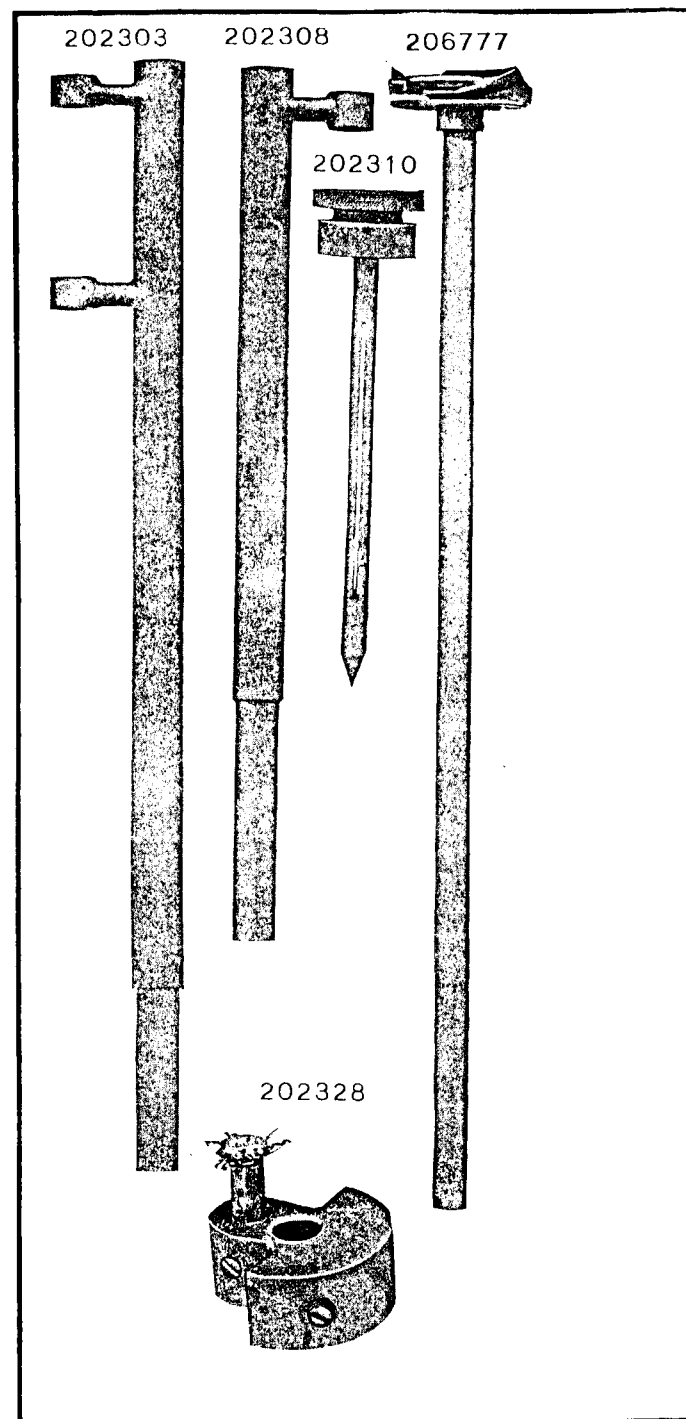


PLATE 13353-FULL SIZE

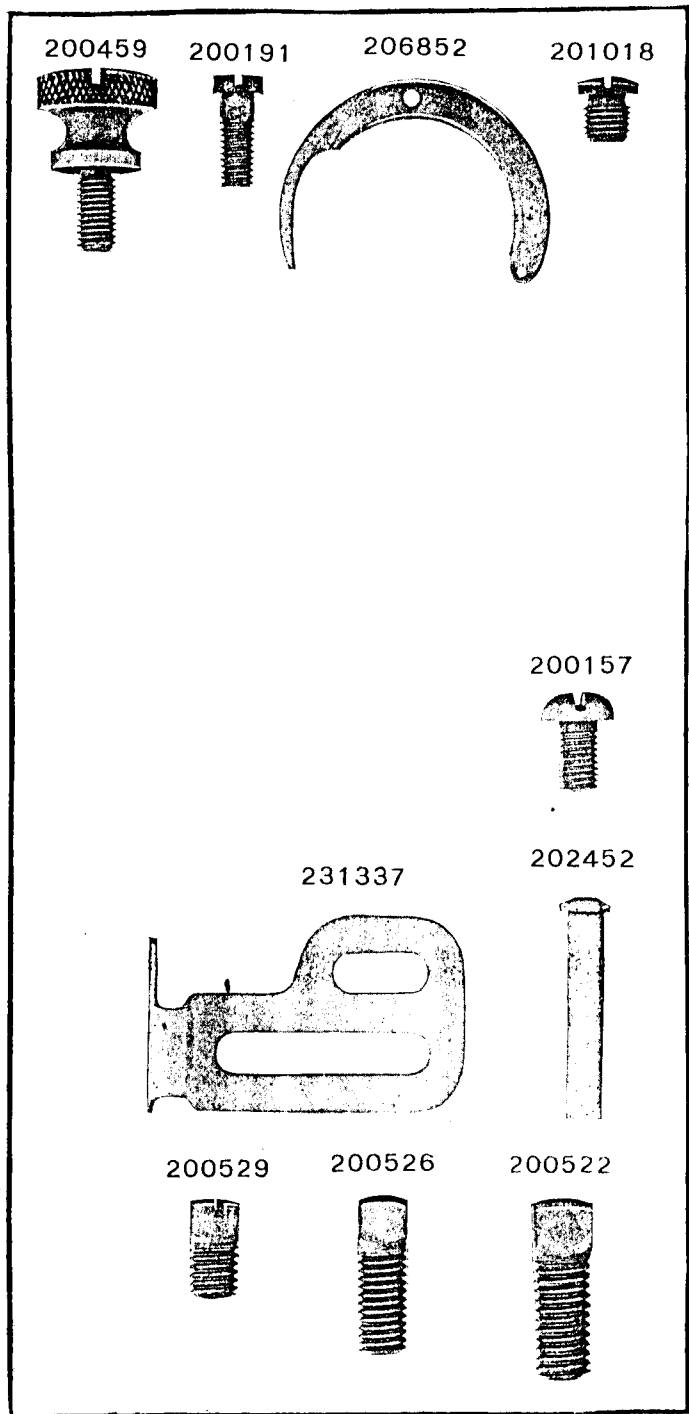


PLATE 13358-FULL SIZE

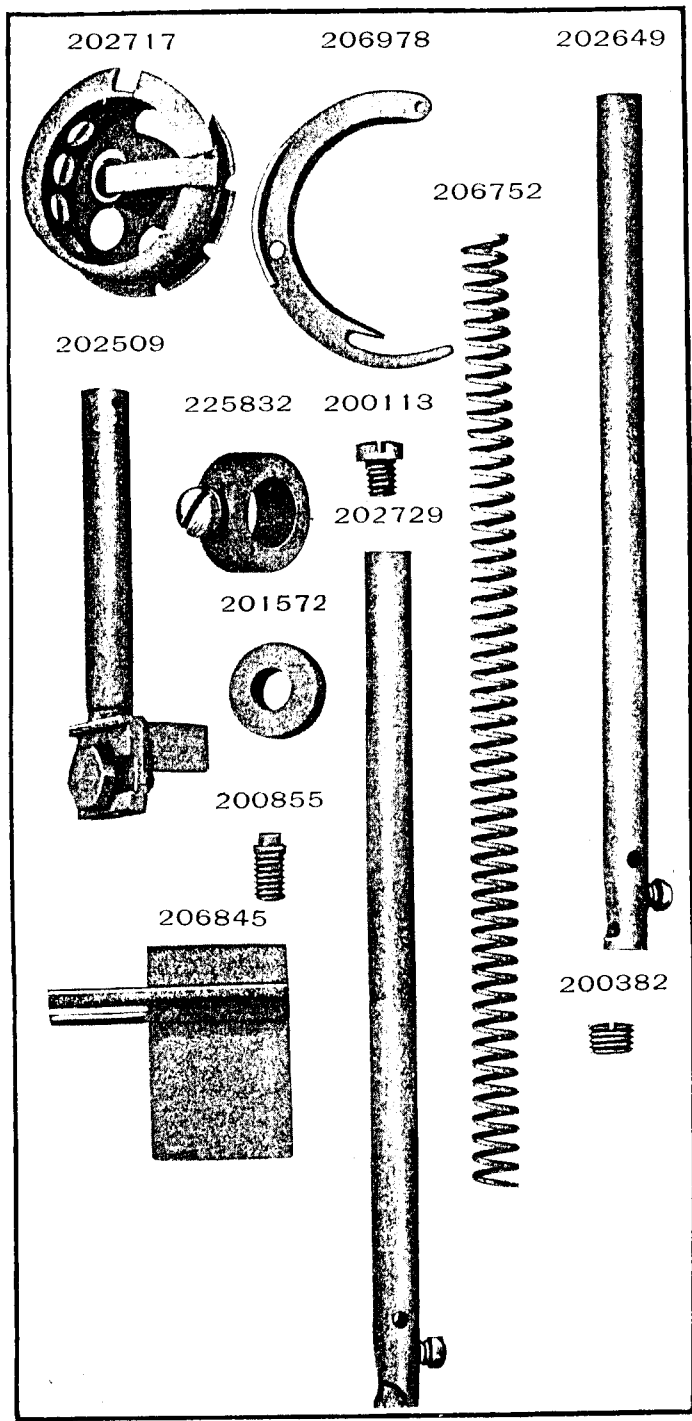


PLATE 13359—ONE-HALF SIZE

206747

206741

206742 202506

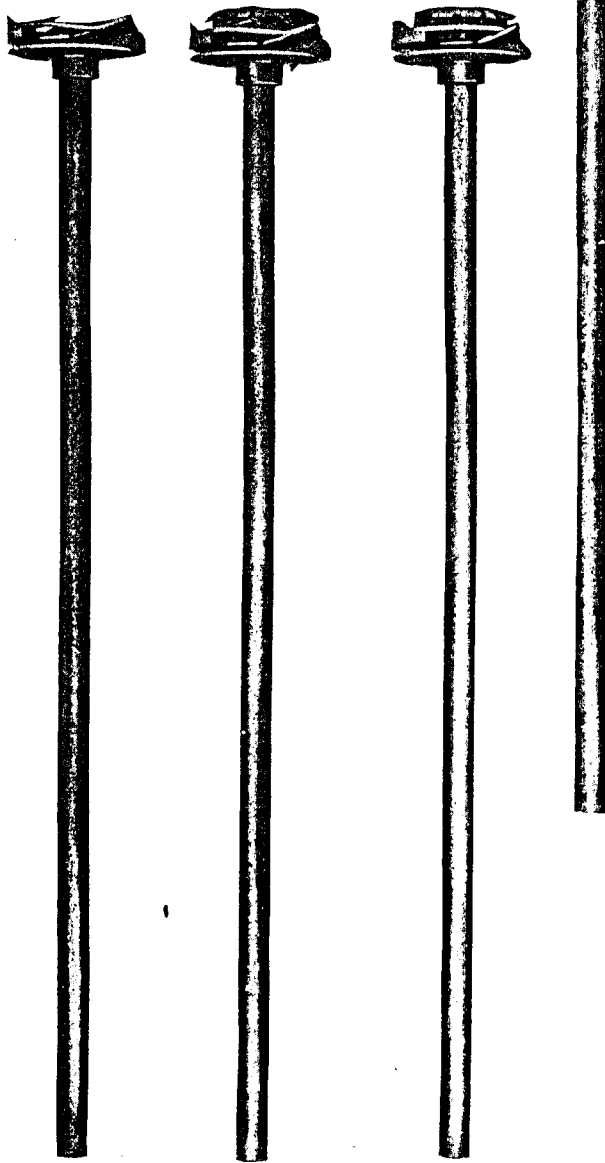
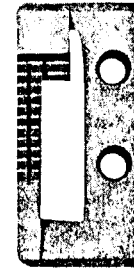
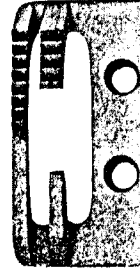


PLATE 13360—FULL SIZE

202555

206994

207053

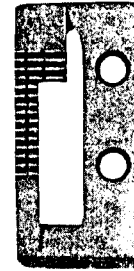


207054

202279

202280

202289



203106

202814

202948

