

Singer 69-26

Form 19585
(Rev. 155)
Printed in U. S. A.

HISTORICAL COPY
DO NOT REMOVE

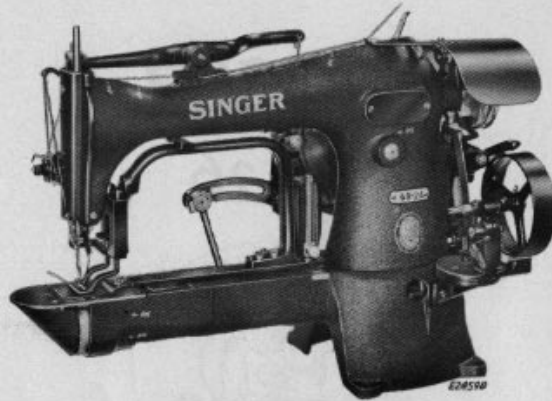
SINGER**
69-26



THE SINGER MANUFACTURING COMPANY

**A Trade Mark of THE SINGER MANUFACTURING COMPANY

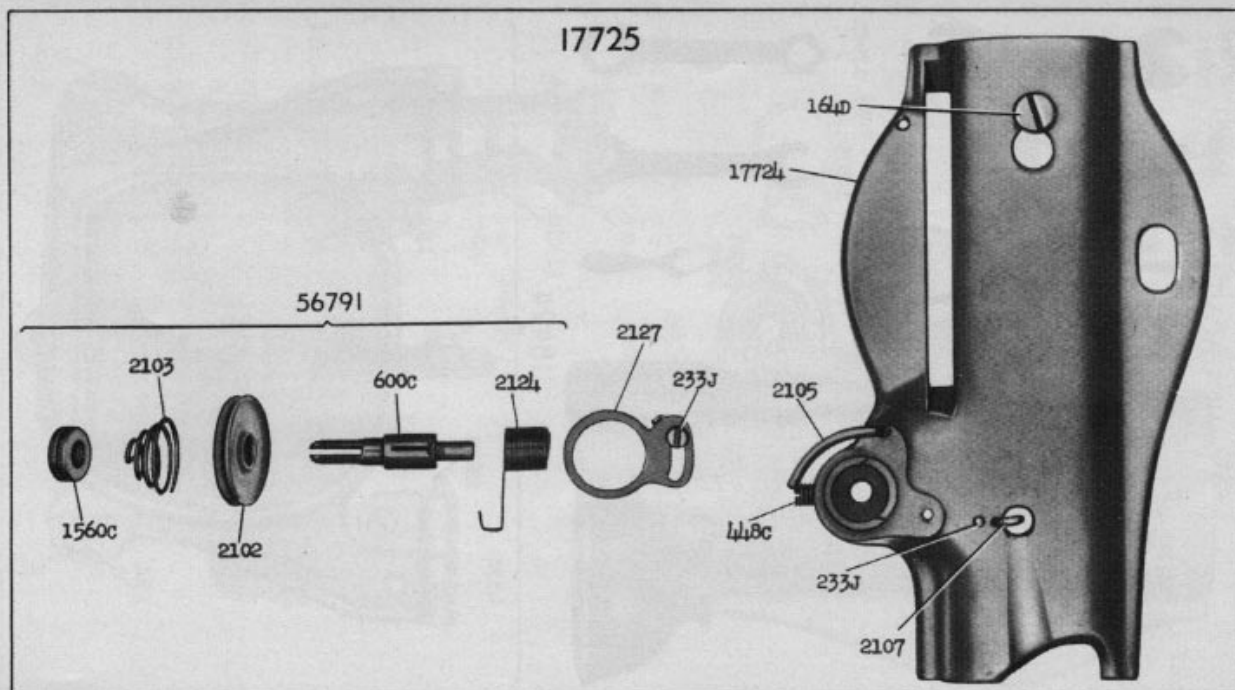
HISTORICAL COPY
DO NOT REMOVE



Copyright, U. S. A., 1940, 1947 and 1955
by The Singer Manufacturing Company
All Rights Reserved for all Countries

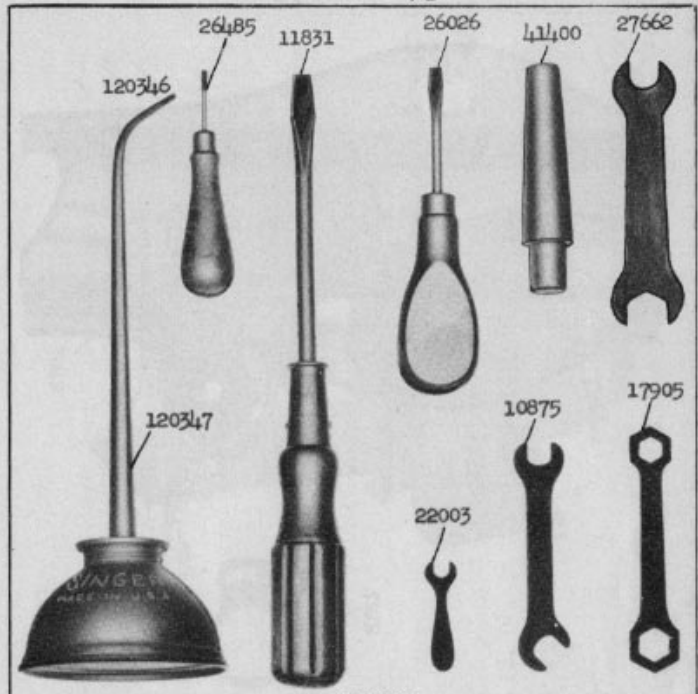
THE SINGER MANUFACTURING COMPANY

17725

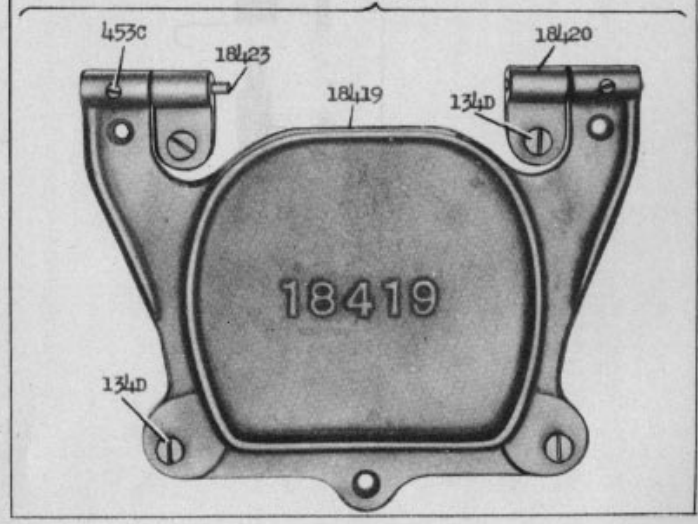


8593 - 2/3

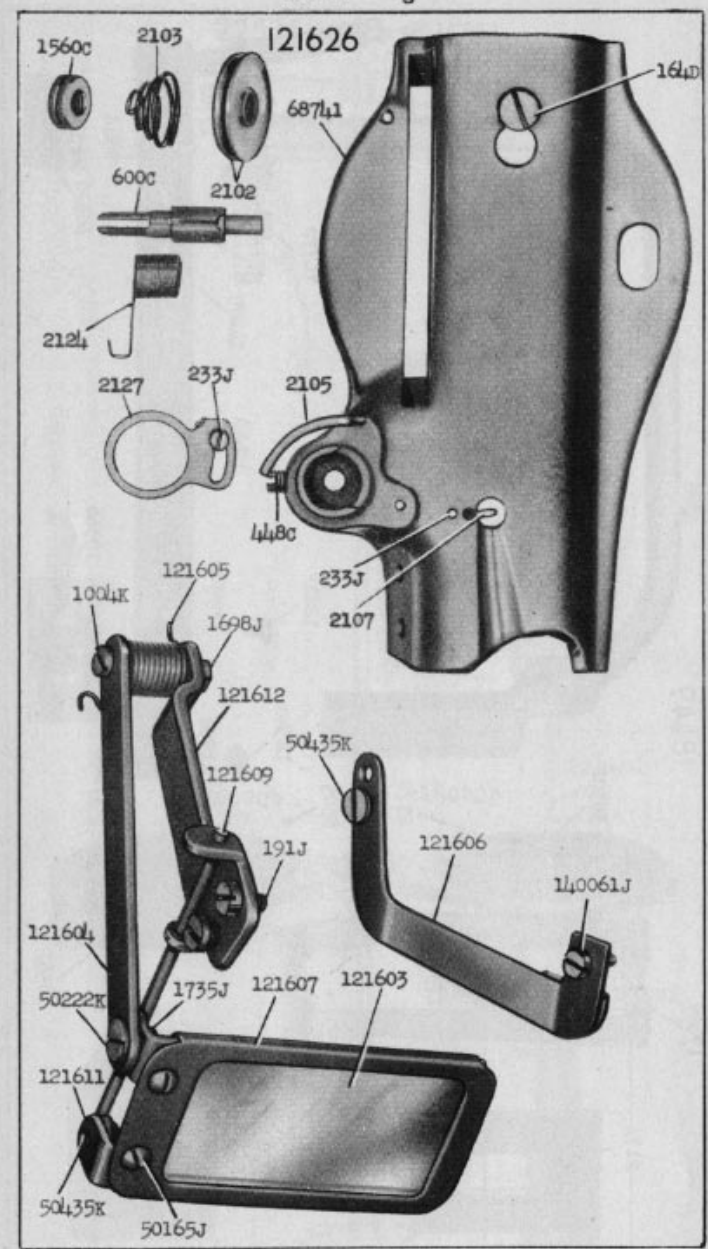
8599 - 1/3

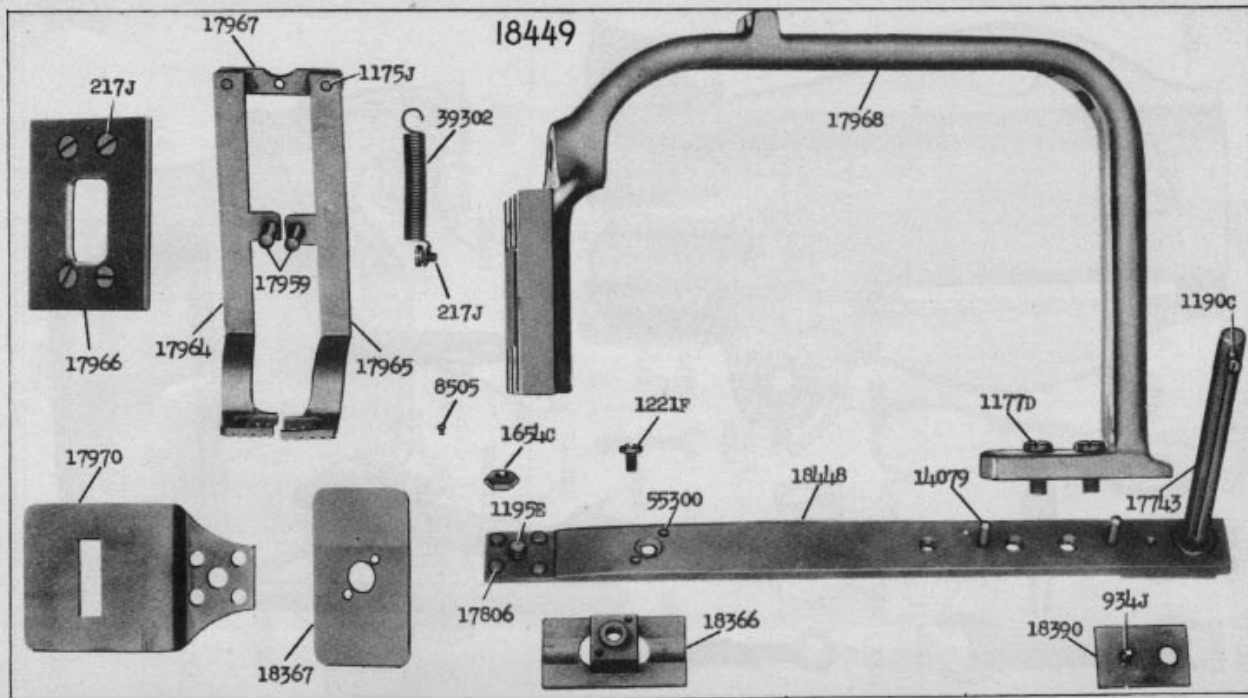


18424



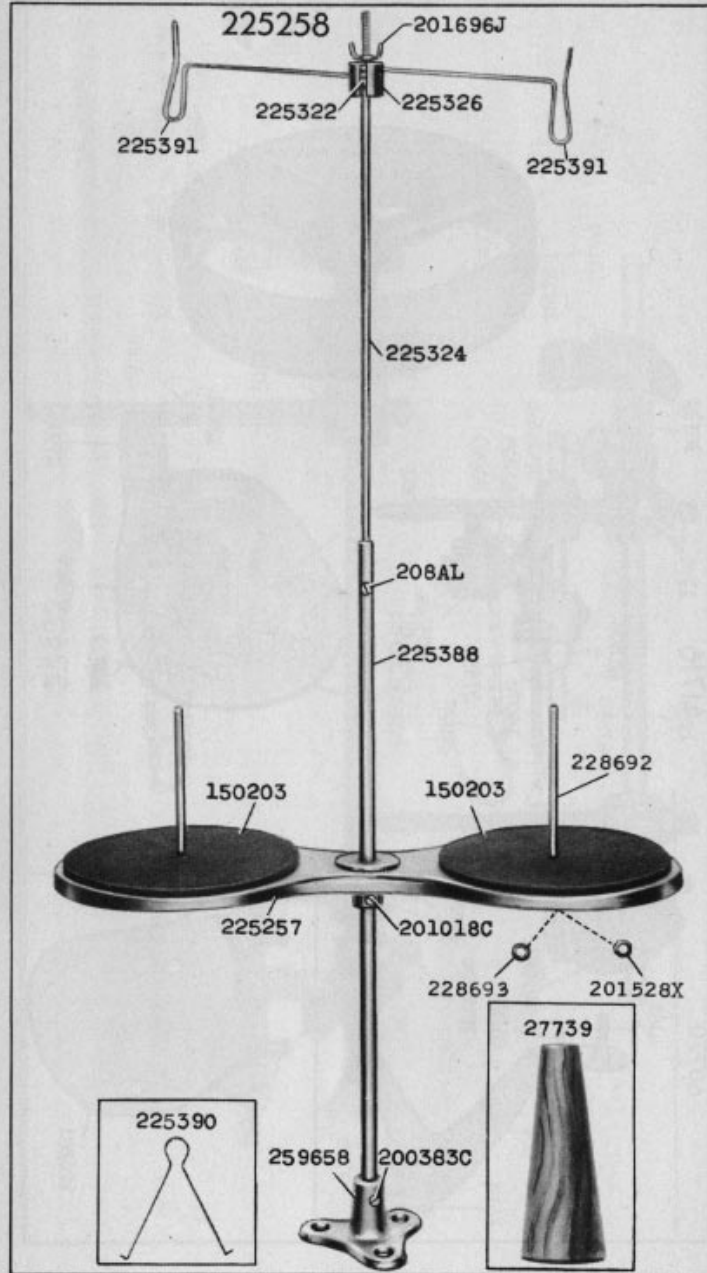
8601 - 2/3

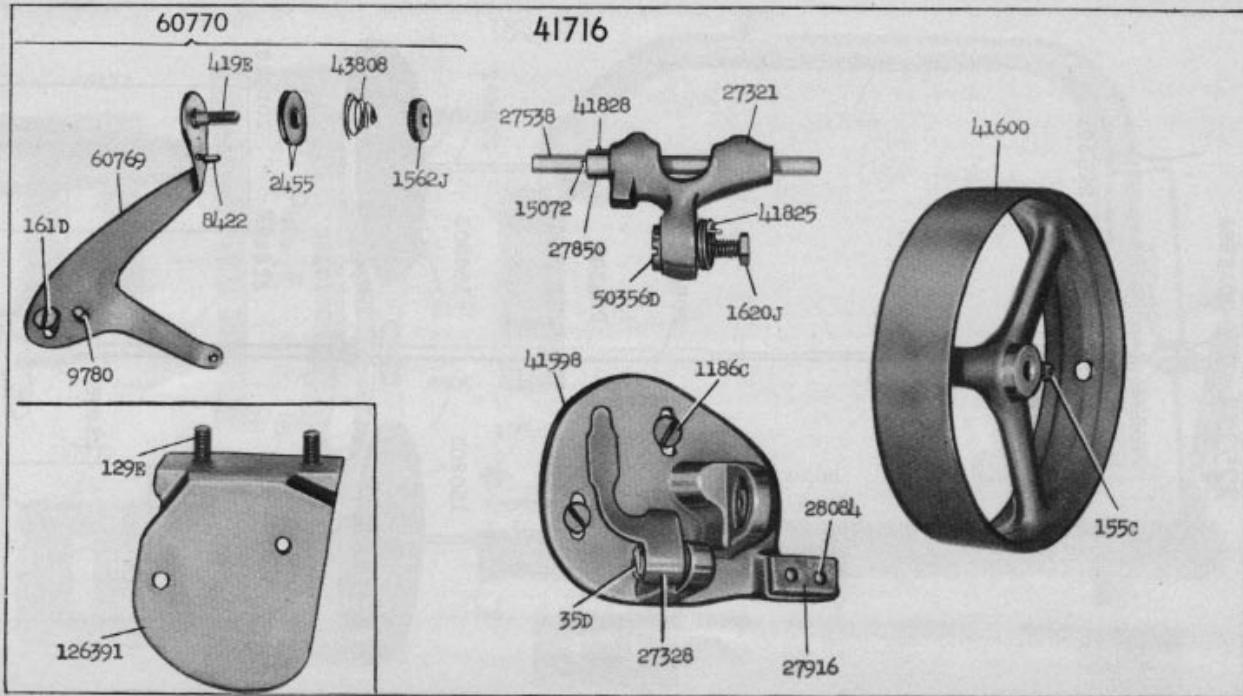




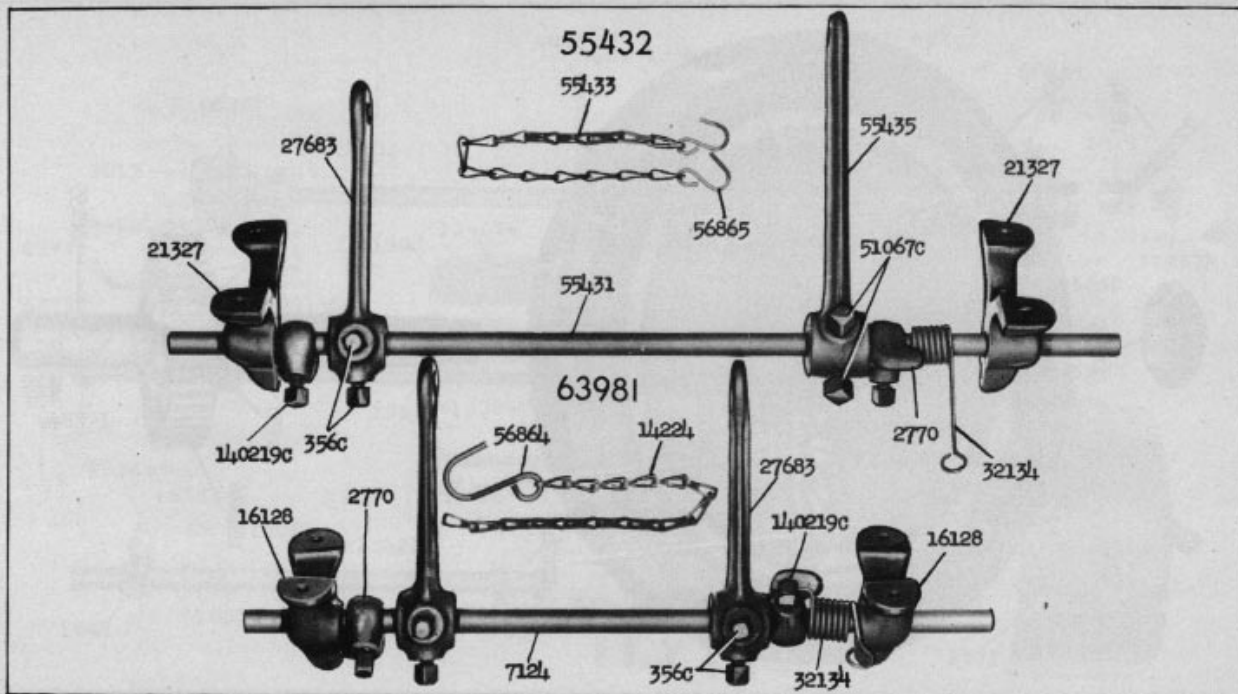
8616 - 1/2

23289 - 1/4



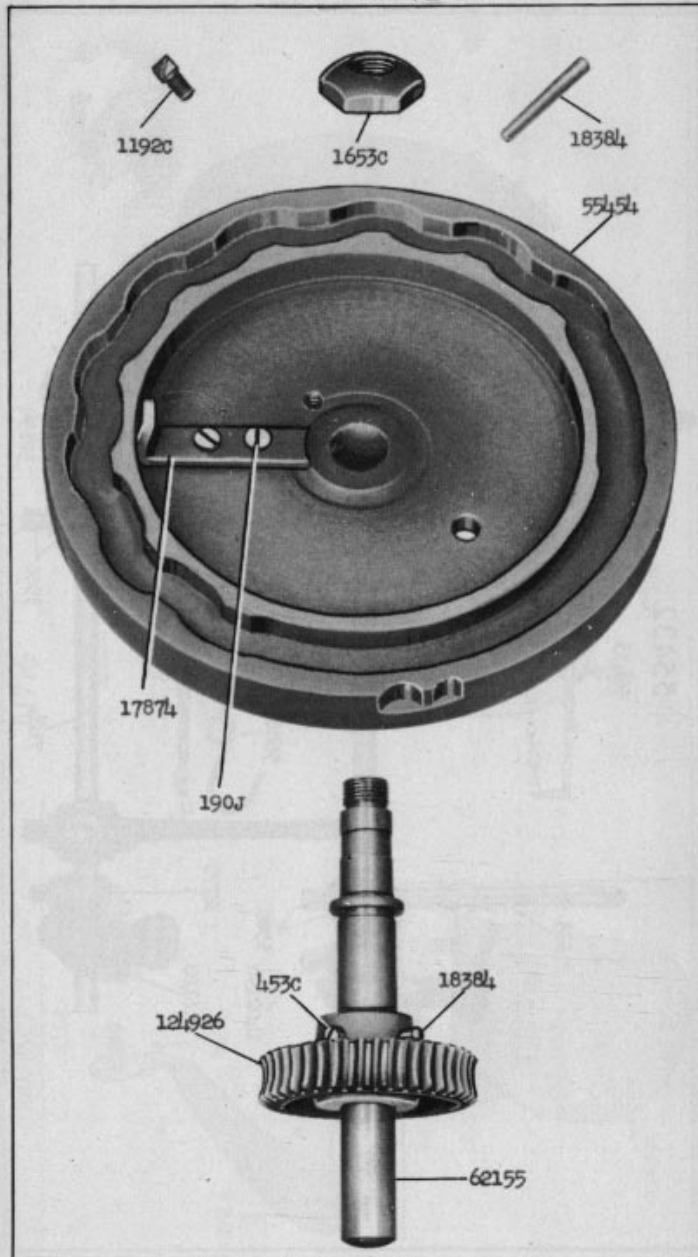


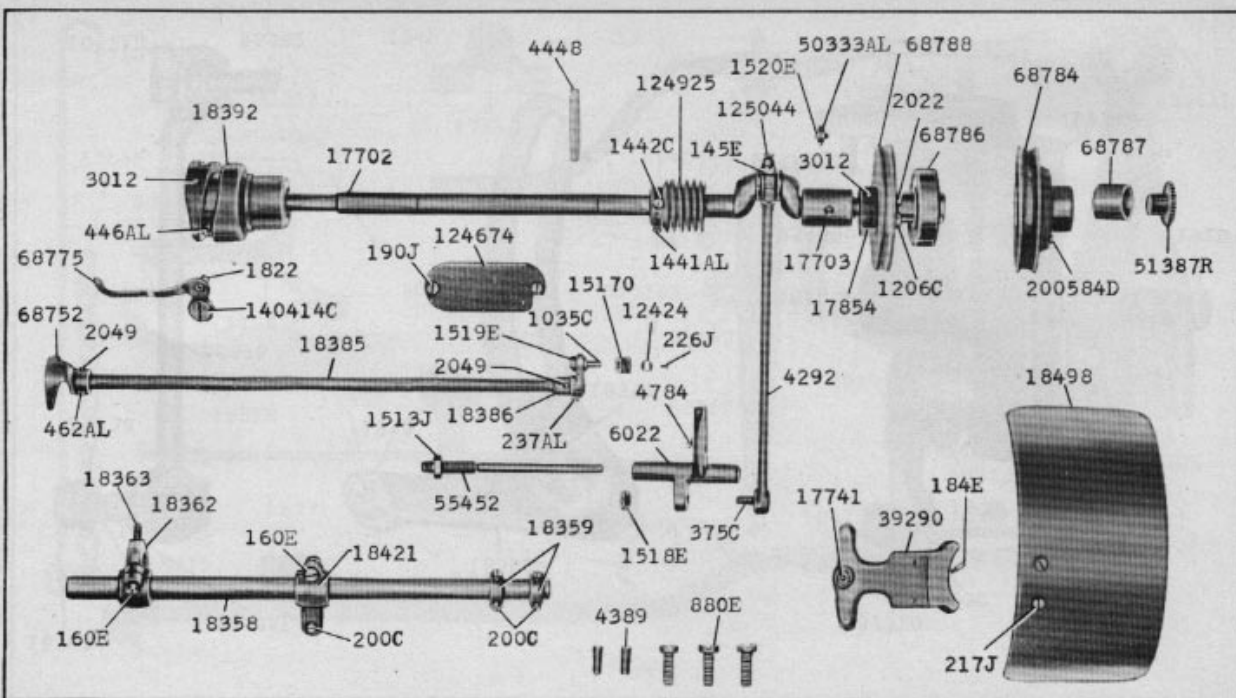
23502 - 1/2



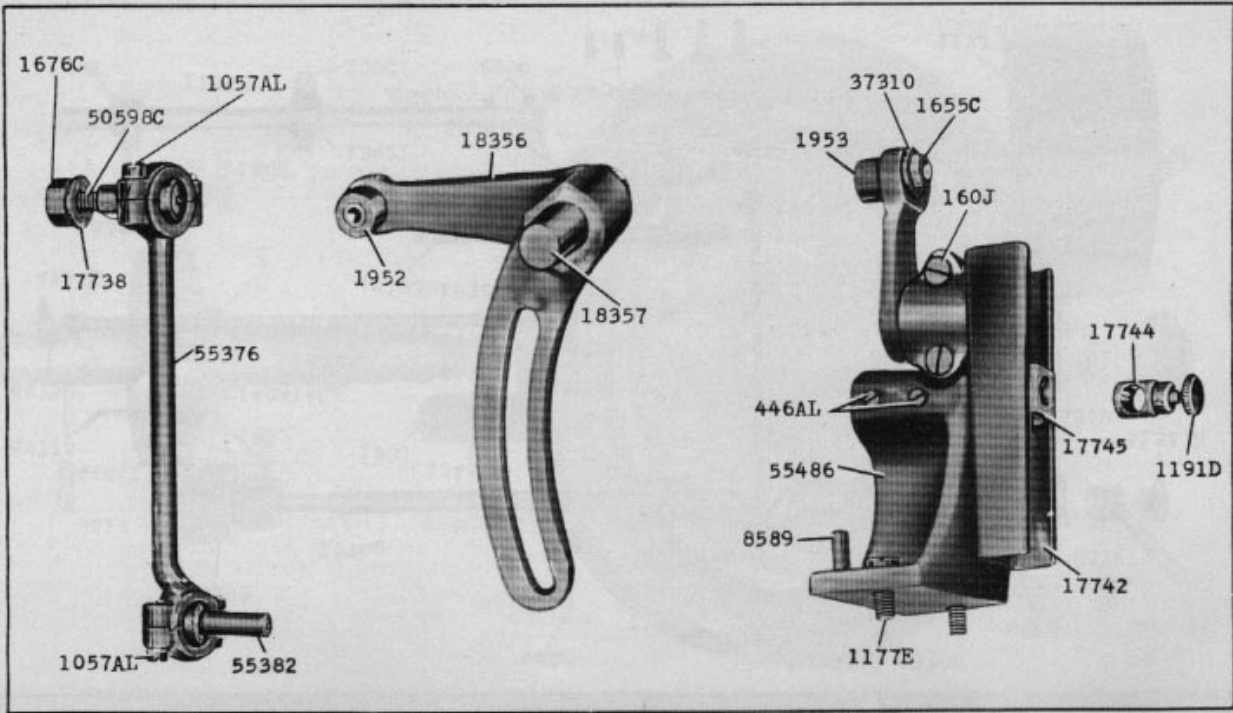
23506 - 1/3

23508 - 1/2

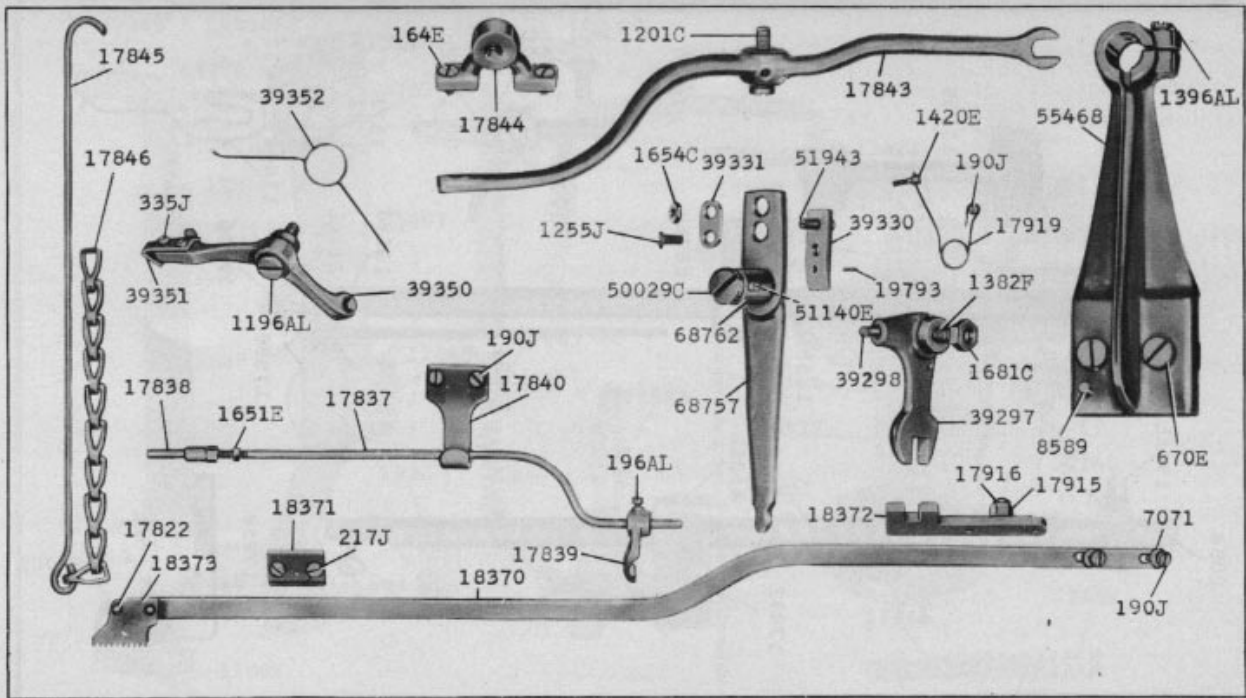




23515-1/4

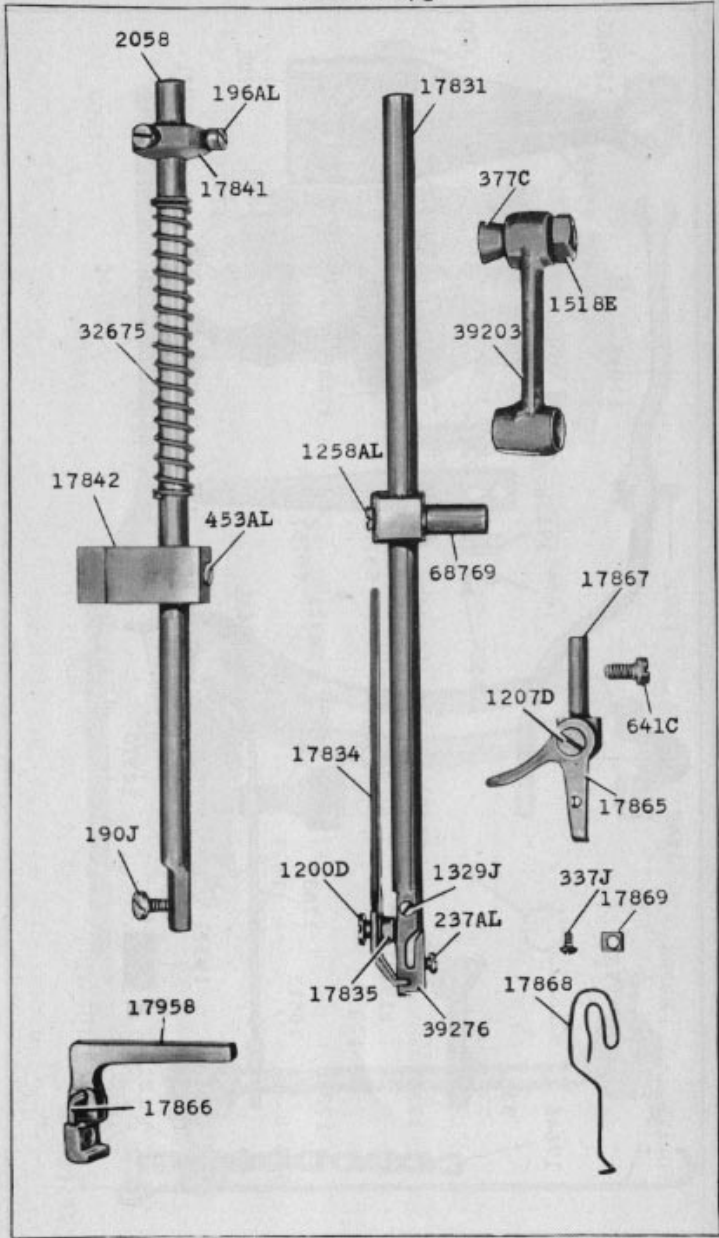


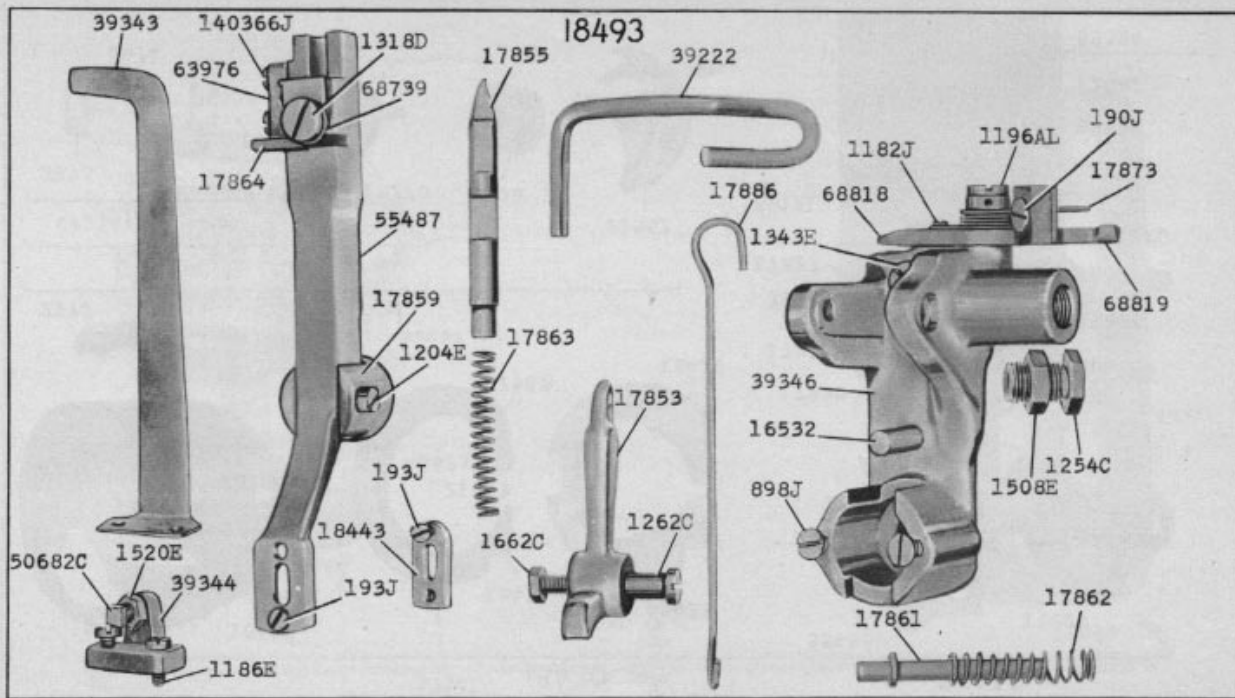
23521-1/2



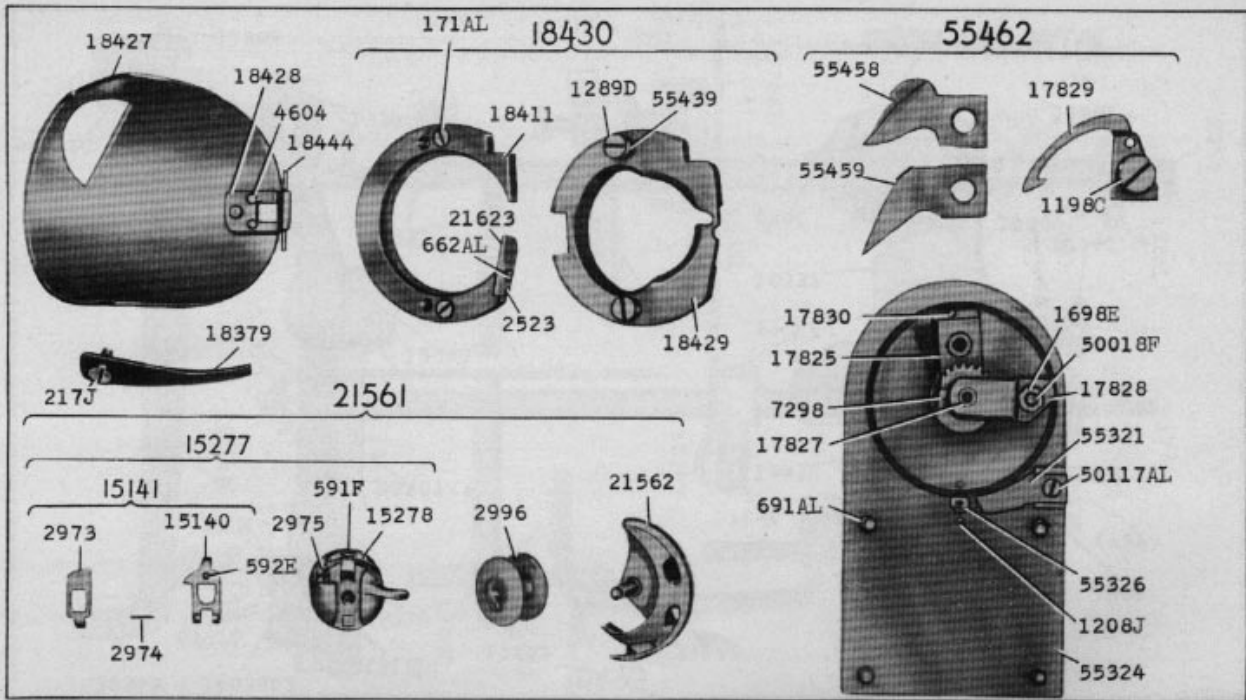
23525-1/3

24309-2/3

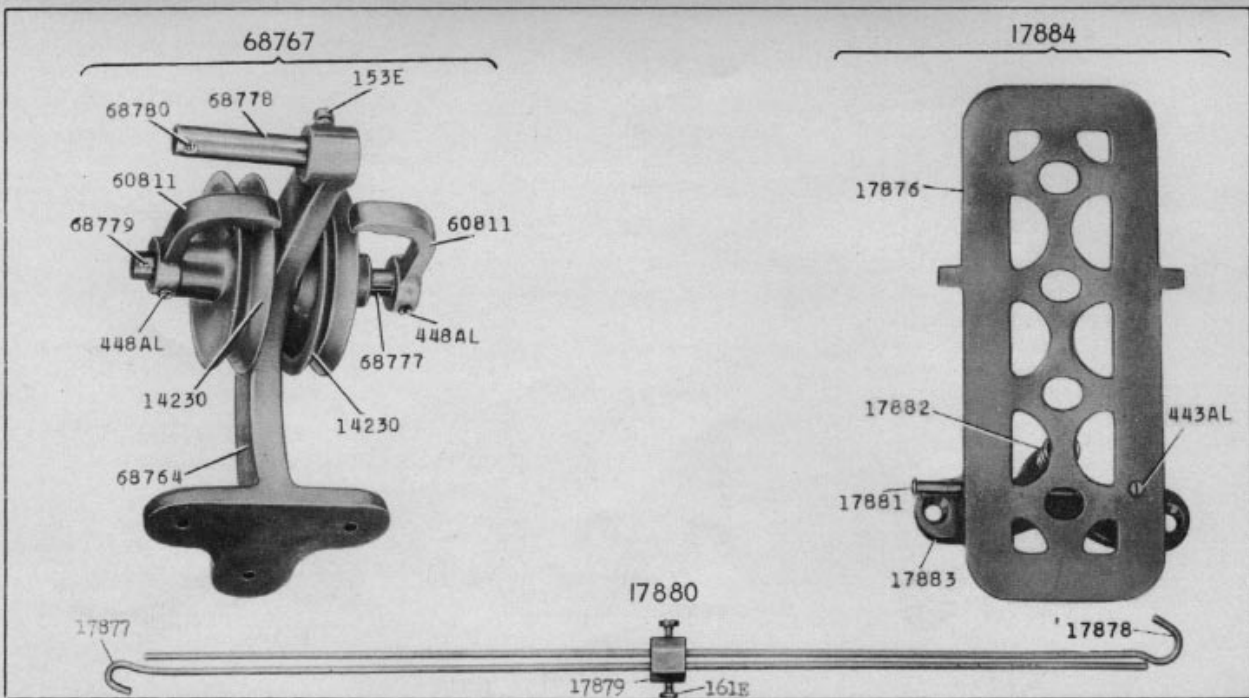




24311-2/3



24313-1/2



24317-1/3