

Singer 71-141

Form 2195w-Rev.  
(1250)  
Printed in U. S. A.

# LIST OF PARTS



MACHINE No. 71-141

---

\*\* A TRADE MARK OF  
THE SINGER MANUFACTURING COMPANY

## INSTRUCTIONS FOR OILING

---

To ensure easy running and prevent unnecessary wear of the parts which are in movable contact, the machine requires oiling, and when in continuous use, "TYPE B" or "TYPE D" OIL, sold only by Singer Sewing Machine Company, should be applied regularly to all oil holes marked "OIL", as instructed in Form 2087w.

"TYPE D" OIL is stainless.

Occasionally remove the screw from the loose pulley and apply a small quantity of BALL BEARING LUBRICANT to the ball bearing of the pulley through the tapped hole, using BALL BEARING LUBRICANT sold only by Singer Sewing Machine Company, then replace the screw in the loose pulley.

Copyright, U. S. A., 1938, 1939, 1944, 1950 and 1951  
by The Singer Manufacturing Co.  
All Rights Reserved for all Countries

## INDEX

---

	PAGE
ACCESSORIES - - - - -	23
BOBBIN WINDER - - - - -	23
DRIVING EQUIPMENT - - - - -	24
IDLER PULLEY - - - - -	25
IRON BASE - - - - -	26
MACHINE No. 71-141 - - - - -	5
MISCELLANEOUS PARTS - - - - -	27
NUMERICAL LIST OF PARTS - - - - -	29
THREAD UNWINDER - - - - -	26

## INSTRUCTIONS FOR ORDERING

In ordering from this list, use **ONLY** the **PART** number in the **FIRST** column.

The number stamped on a Sewing Machine Part is the number of the Single Part only, except when the part includes Set Screws, Clamping Screws, Studs and Rollers Spun on, Small Wires riveted, or Parts soldered together, etc., which it is necessary to furnish in combination.

Every combination of parts sent out has its specific number which, although not stamped on Parts (except in above case), must be used when ordering the combination.

Each number always indicates the **SAME PART** in whatever list it appears, or for whatever Machine.

The letters after some of the numbers indicate the style of finish only, as follows:

- A. Hardened, Polished, Nickel Plated and Buffed.
- B. Polished, Nickel Plated and Buffed.
- C. Hardened only.
- D. Polished only.
- E. Soft, not polished.
- F. Hardened and Polished.
- H. Blued.
- J. Nickel Plated only.
- R. Merlized.
- X. Black Oxide, for Iron and Steel.
- XC. Hardened and Black Oxide, for Iron or Steel.
- Y. Black Nickel Plated only.

These letters **MUST BE USED** when they appear in the list and **AFTER** the number, as in the list.

In this series

1 to 1500, 200001 to 201500 and 350001 to 351500 are Screw Numbers.  
1501 to 1800, 201501 to 201800 and 351501 to 351800 are Nut Numbers.  
1801 to 2000, 201801 to 202000 and 351801 to 352000 are Roller Numbers.  
2001 to 50000 and 202001 to 350000 are Numbers of Machine Parts.

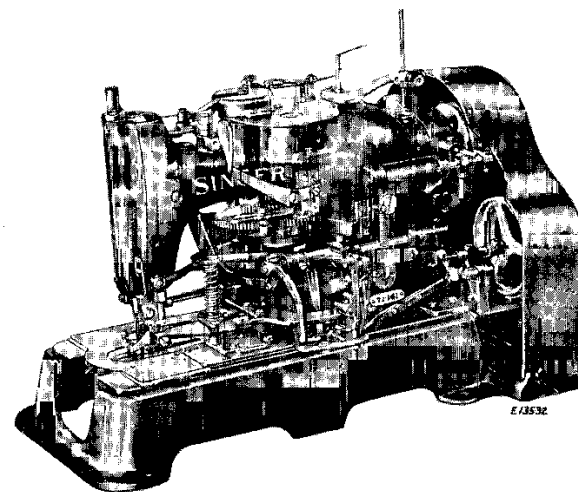
The figures in the second column refer only to the plate in which the illustration of the part is shown and are **NOT TO BE USED** in ordering.

Two or more numbers over a cut indicate that the difference between such parts is not visible in an illustration.

Parts marked with an asterisk (\*) are furnished only when repairs are made at the factory.

## LIST OF PARTS COMPLETE

FOR



## MACHINE No. 71-141

**MAKES PURL STITCH BUTTONHOLES WITH ELONGATED BARRED ENDS. POSITIVE GEAR DRIVEN INTERMITTENT**

**FEED MECHANISM. KNIVES FROM 3/8 TO 1 1/16 INCH**

**LONG. CUTS BOTH THREADS AND THE**

**HOLE AFTER STITCHING.**

**FOR COTTON, LINEN, RAYON AND SILK**

**FABRICS, KNIT GOODS, ETC.**

No.	Plate	Name
*249601	-----	Arm with 24081
8582	18219	" Dowel Pin (2)
241206	18220	" Oil Cup (2)
748E	18219	" Screw (back) (2)
868E	18219	" " (front) (2)
249602	18220	" Shaft
*24081	-----	" " Bushing (front)
202260	18220	" " " Oil Packing (wick) (2)

No.	Plate	Name
249622	18220	Arm Shaft Flanged Bushing (back)
435AL	18220	" " " " " " Set Screw
1069D	18220	" " " Screw
39620	18270	" Side Cover
190D	18270	" " " Screw
249604	18270	" Top Cover (left)
249605	18270	" " " (right)
190D	18270	" " " Screw (4)
249606	18268	Barring Lever
350476C	18268	" " " Hinge Screw
249607	18268	" " " Spring
1330C	18268	" " " Screw Stud
249608	18266	" Plate (1st bar)
249801	18266	" " (2nd bar)
350229E	18266	" " " Screw (2)
206482	18266	" " " Washer (2)
249610	18268	" Point
191C	18268	" " " Screw
249611	17922	" Shaft with 452AL
201713C	17922	" " Adjusting Lock Nut (2)
249612	18270	" " " Guard
208AL	18270	" " " Screw (2)
249613	17922	" Slide
249740	17922	" " Operating Plate (adjustable)
223D	17922	" " " " " " Screw (2)
350253C	17922	Barring Slide Operating Plate Adjusting Screw
1607E	17922	Barring Slide Operating Plate Adjusting Screw Nut
249614	17922	Barring Slide Operating Plate (stationary)
228D	17922	" " " " " " Screw (2)
249615	17922	Barring Slide Operating Rod
249616	18268	" " " " " Stud
249619	17922	" " " Stop
704E	17922	" " " Attaching Screw
898C	17922	" " " Screw (adjustable)
452AL	17922	" " " " " " Set Screw
*249620	-----	Bed
249894	18219	" Oil Guard with 249883
249883	18219	" " " Oil Tube (brass)
1235F	18219	" " " Screw
249853	17942	Belt Shifter with 350287C
249854	17942	" " " Operating Collar with 350329C
350329C	17942	" " " " " " Set Screw
249855	18229	" " " " Rod
350287C	18229	" " " " " " Set Screw
350287C	17942	" " " Set Screw
249856	17942	" " " Shaft
249857	17942	" " " Bracket
249858	17942	" " " " " " Extension with 51047E
51047E	17942	Belt Shifter Shaft Bracket Extension Pinch Screw

No.	Plate	Name
158E	17942	Belt Shifter Shaft Bracket Extension Screw
350288C	17942	" " " " " Hinge Screw
23554	18265	" " " " " Spring
350338E	18265	" " " " " Screw Stud (lower)
350339E	17942	Belt Shifter Shaft Bracket Spring Screw Stud (upper)
249860	17942	Belt Shifter Shaft Bracket Stop
191D	17942	" " " " " " Screw
249861	17942	" " " " Guide Collar with 237X
2269	17942	" " " " " Position Pin
237X	17942	" " " " " Set Screw
249862	17942	" " " " Spring
39882	17942	" " " Stop Washer (rawhide)
249863	18266	" " " Trip Point
756E	18266	" " " " " Screw
249864	17942	" " " Stud
161D	18271	Bobbin Winder Base Screw (2)
135D	18271	" " " Tension Bracket Screw
39647	18263	Clamp Arm
625F	17885	" " " Adjusting Screw (2)
1547X	17885	" " " " " Nut (2)
39584	17885	" " " Bracket with 196F
40003	17885	" " " Guide (left)
219F	17885	" " " " " Screw (2)
40004	17885	" " " " " (right)
207F	17885	" " " " " Screw (2)
191C	17885	" " " " " Screw (3)
39541	17885	" " " " " Washer (3)
23379	17885	" " " Hinge Block
23380	17885	" " " " " Pin
196F	17885	" " " " " Set Screw
402D	17885	" " " " " Screw (3)
249751	17916	" Carrier with 249735 and two 934X
40006	18267	" " " Block with 40007 and four 404D
40007	18267	" " " " Plate
404D	18267	" " " " " Screw
23384	18267	" " " Connecting Rod
52C	18267	" " " " " Hinge Screw
39591	17916	" " " Guide (left)
756D	17916	" " " " " Screw (long)
1345D	17916	" " " " " (short)
39645	17916	" " " " (right)
1230F	17916	" " " " " Screw (2)
249753	17885	" " " Plate
1231F	17885	" " " " " Screw (back) (2)
404D	17885	" " " " " (front) (2)
249623	18267	" " " Regulator with 240D, 1960 and 39583
1232C	18267	Clamp Carrier Regulator Hinge Screw
1960	18267	" " " " " Roller and Screw Stud with 1520J
1520J	18267	Clamp Carrier Regulator Roller and Screw Stud Nut
249895	18219	Clamp Carrier Regulator Slide
350076C	18267	" " " " " Stud (to regulate length of buttonhole)

## PARTS FOR MACHINE No. 71-141

No.	Plate	Name
23389	17922	Intermittent Feed Wheel Driving Roller Cap Screw Washer
249934	18270	Intermittent Feed Wheel Driving Roller Oiling Felt
249935	18270	Intermittent Feed Wheel Driving Roller Oiling Felt Holder
1034F	18270	Intermittent Feed Wheel Driving Roller Oiling Felt Holder Screw (2)
249937	17922	Intermittent Feed Wheel Driving Roller Stud
12546	17922	" " " " Position Pin
350249E	17922	" " " " " Screw
*249646	17922	" " " " " Shaft
249946	17922	" " " " " 249646 with 249642, 249674 and two 12546
23445	18268	Knife, 3/8 inch
23446	18268	" 7/16 inch
23447	18268	" 1/2 inch
23448	18268	" 9/16 inch
23449	18268	" 5/8 inch
Note: No. 23449 is furnished with machine unless another knife is specified on order		
23450	18268	Knife, 11/16 inch
23451	18268	" 3/4 inch
23452	18268	" 13/16 inch
23453	18268	" 7/8 inch
23454	18268	" 15/16 inch
23455	18268	" 1 inch
23460	18268	" Bar
23461	18268	" " Connecting Link
1239D	18268	" " " " " Hinge Cap Screw
1240C	18268	" " " " " " Screw
23462	18268	" " " " " Stud with 1319F
1319F	18268	" " " " " Clamping Screw
249656	18268	" " " " " Disengaging Lever with 1242E
249657	18268	" " " " " Catch with 1963
249658	18268	Knife Bar Disengaging Lever Catch Bracket with 1242E and 238089
238089	18268	Knife Bar Disengaging Lever Catch Bracket Position Pin
50416C	18268	Knife Bar Disengaging Lever Catch Hinge Screw
1547X	18268	Knife Bar Disengaging Lever Catch Hinge Screw Nut
1963	18268	Knife Bar Disengaging Lever Catch Roller and Stud
249659	18268	Knife Bar Disengaging Lever Catch Spring
1241E	18268	" " " " " " " Screw Stud
23466	18266	Knife Bar Disengaging Lever Catch Tripping Point
249869	18266	Knife Bar Disengaging Lever Catch Tripping Point Collar with 175E, 756E, 23466, 249863 and two 448AL
448AL	18266	Knife Bar Disengaging Lever Catch Tripping Point Collar Set Screw

## PARTS FOR MACHINE No. 71-141

No.	Plate	Name
175E	18266	Knife Bar Disengaging Lever Catch Tripping - Point Screw
90C	18268	Knife Bar Disengaging Lever Hinge Screw
1242E	18268	" " " " " Screw Stud
249660	18268	" " " " " Spring
1242E	18268	" " " " " " Screw
249661	18268	" " " " " Driving Lever
350281C	18268	" " " " " Hinge Screw
1428C	18268	" " " " " Screw Stud
201732C	18268	" " " " " " Nut
23681	18268	" " " " " Spring
805C	18268	" " " " " " Screw
249662	18268	" " " " " (intermediate)
144D	18268	" " " " " " Cap Screw
23471	18268	Knife Bar Driving Lever (intermediate) Connecting Link
54C	18268	Knife Bar Driving Lever (intermediate) Connecting Link Hinge Screw
350243C	18268	Knife Bar Driving Lever (intermediate) Hinge Screw Stud
201510E	18268	Knife Bar Driving Lever (intermediate) Hinge Screw Stud Nut
205634	18268	Knife Bar Driving Lever (intermediate) Hinge Screw Stud Washer
1959	18268	Knife Bar Driving Lever (intermediate) Roller and Screw Stud with 229D and 12424
229D	18268	Knife Bar Driving Lever (intermediate) Roller Cap Screw
12424	18268	Knife Bar Driving Lever (intermediate) Roller Cap Screw Washer
249737-	18268	Knife Bar Spring
249544	18268	" " " " " Stop
249545	18268	" " " " " Retainer Plate
168D	18268	" " " " " " Screw
50615D	18268	" " " " " " Screw
249852	18268	" Holder
1243C	17924	" " " " " Guide Stud
1608C	17924	" " " " " " Nut
157C	18268	" " " " " Screw
1547X	18268	" " " " " " Nut
191C	18268	" " " " " Screw
23390	18268	" " " " " Washer
39857	17924	Needle Bar with 904F
23476	17924	" " " " " Connecting Link with 794E
794E	17924	" " " " " " Adjusting Screw
1021E	17924	" " " " " " Cap Screw
39601	17924	" " " " " Stud with 1341C
1341C	17924	" " " " " " Set Screw
23477	18220	" " " " " Crank with 858AL, 1036AL, 1065AL and 1258AL
1065AL	18220	Needle Bar Crank Position Screw
858AL	18220	" " " " " Set Screw
23478	17924	" " " " " Frame with 4784
249666	17924	" " " " " Connection

No.	Plate	Name
350254F	17924	Needle Bar Frame Connection Cap Screw
350251C	17924	" " " " Hinge Screw
1651J	17924	" " " " " "
		Lock Nut
249667	17922	Needle Bar Frame Driving Gear
249671	17922	" " " " (intermediate)
		(large) with 235356
249672	17922	Needle Bar Frame Driving Gear (intermediate) (small)
249669	17922	Needle Bar Frame Driving Gear (intermediate) Bracket with 1149AL
250397	17922	Needle Bar Frame Driving Gear (intermediate) Bracket Position Pin
129E	17922	Needle Bar Frame Driving Gear (intermediate) Bracket Screw (2)
201715C	17922	Needle Bar Frame Driving Gear (intermediate) Clamping Nut
235356	17922	Needle Bar Frame Driving Gear (intermediate) Pin
249670	17922	Needle Bar Frame Driving Gear (intermediate) Stud
1149AL	17922	Needle Bar Frame Driving Gear (intermediate) Stud Set Screw
200068H	17922	Needle Bar Frame Driving Gear Screw (2)
23610	17924	" " " Pitman (hinge screw end)
23609	17924	Needle Bar Frame Pitman (regulator end)
190C	17924	" " " " Adjusting Screw
7071	17924	" " " " " "
		Washer
23611	17924	Needle Bar Frame Pitman (adjustable) complete, Nos. 23609, 23610, two each 190C and 7071
1042C	17924	Needle Bar Frame Pitman Hinge Screw
1547X	17924	" " " " " " Nut
249673	17924	" " " Regulator
1038C	17924	" " " " Adjusting Screw
1698C	17924	" " " " " "
		Nut
7070	17924	Needle Bar Frame Regulator Adjusting Screw Sleeve
39504	17924	Needle Bar Frame Regulator Adjusting Screw Washer
249668	17924	Needle Bar Frame Regulator Hinge Stud
446C	17924	" " " " " " Set Screw
673F	17924	Needle Bar Frame Screw Center
1517J	17924	" " " " " " Nut
249762	17916	" Plate
350234D	17916	" " Screw (2)
904F	17924	" Set Screw
*249674	17922	" Vibrating Gear with two 350249E
12546	17922	" " " Position Pin
350249E	17922	" " " " Screw
39653	18220	Oscillating Rock Shaft
23494	18220	" " " Hinge Pin with 23421

No.	Plate	Name
23421	18220	Oscillating Rock Shaft Hinge Pin Oil Hole - Plug (leather)
448AL	18220	Oscillating Rock Shaft Hinge Pin Set Screw
4784	18220	" " " Oil Pad
39654	18220	Oscillating Rock Shaft complete, Nos. 4784, 23494 and 39653
39655	18220	Oscillating Shaft
39656	18220	" " Bushing (back)
24047	18220	" " " (front)
249931	18220	" " " " Oil Tube (brass)
250451	18220	Oscillating Shaft Bushing (front) Oil Tube Plate
190D	18220	Oscillating Shaft Bushing (front) Oil Tube Plate Screw
249932	18220	Oscillating Shaft Bushing (front) Oil Tube Support Plate
39657	18220	Oscillating Shaft Crank
1253C	18220	" " " Set Screw
39658	18220	Oscillating Shaft Crank complete, Nos. 1636E, 24050, 39657 and two 1253C
19448	18220	Oscillating Shaft Crank Slide Block
226J	18220	" " " " " Cap Screw
12424	18220	Oscillating Shaft Crank Slide Block Cap Screw Washer
1035C	18220	Oscillating Shaft Crank Slide Block Screw Stud
1636E	18220	Oscillating Shaft Crank Slide Block Screw Stud Nut
24050	18220	Oscillating Shaft Crank Slide Block complete, Nos. 226J, 1035C, 12424 and 19448
*249890	-----	Pulley (loose) with 200584D
249891	18220	" " Ball Bearing
249892	18220	" " Bushing
200584D	18220	" " Grease Retaining Screw
249893	18220	Pulley (loose, ball bearing) complete, Nos. 249890 to 249892
249702	18220	Pulley (tight) with 454AL
40025	18220	" " Pin (2)
454AL	18220	" " Set Screw
262014	17942	Sewing Safety Lock
59D	17942	" " " Hinge Screw
249947	17942	" " " Pitman (front section)
249948	17942	" " " (rear section)
350235D	17942	" " " " Hinge Screw (back)
766D	17942	Sewing Safety Lock Pitman Hinge Screw (front)
914F	17942	Sewing Safety Lock Pitman Screw
39541	17942	" " " " Washer
249949	17942	Sewing Safety Lock Pitman complete, Nos. 249947, 249948, two each 914F and 39541
23500	17925	Shuttle Bobbin
249919	17925	" " Case Hinge, Nos. 2974, 15140 and 249920
15140	17925	Shuttle Bobbin Case Latch

No.	Plate	Name
249920	17925	Shuttle Bobbin Case Latch Lever
2974	17925	" " " " Fulcrum Pin
2975	17925	Shuttle Bobbin Case Latch Spring
592E	17925	" " " " Stop Screw
23501	17925	" " " " Position Finger
2523	17925	" " " " Rivet
249546	17925	" " " " Plate
399D	17925	" " " " Screw
249921	17925	Shuttle Bobbin Case complete, Nos. 591F, 592E, 2523, 2975, 15098, 23501 and 249919
23503	17925	Shuttle Body
249918	17925	" 1-11/16 in. diam., Nos. 23500, 23503 and 249921
23505	18220	Shuttle Driver with 462AL
2269	18220	" " Pin
462AL	18220	" " Set Screw
249924	17925	" Race
39969	17925	" " Back
2532	17925	" " " Position Pin
2533	17925	" " " Spring
907E	17925	" " " Screw
7326	17925	" " Cap
662D	17925	" " " Screw
249928	17925	" " Oil Packing (felt)
249926	17925	" " Plate
203E	17925	" " " Screw
249927	17925	" " Position Pin
249929	17925	Shuttle Race complete, Nos. 907E, 2533, 7326, 39969, 249546, 249924, 249926, two each 399D, 662D, 2532, 249927, 249928 and three 203E
145F	17925	Shuttle Race Screw (2)
591F	17925	" Tension Regulating Screw
15098	17925	" " Spring
249703	18229	Starting Lever
717AL	18229	" " Adjusting Screw
1520J	18229	" " " " Nut
249704	18229	" " Bracket
8582	18229	" " " Dowel Pin (2)
123E	18229	" " " Screw
23511	18229	" " Rod
61C	18229	" " " Hinge Screw
262031	18268	" " Safety
564C	18229	" " Screw Center
58384	18229	" " " " 564C with 1508R (2)
1508R	18229	Starting Lever Screw Center Nut
222616	18229	" " Spring
39675	18229	" " " Collar with two 191C
191C	18229	" " " " Set Screw
202005	18229	" " " Washer
124AL	18229	" " Stop Screw
1518J	18229	" " " " Nut
249675	17922	Stitch Regulating Gear, 18 teeth

No.	Plate	Name
249677	17922	Stitch Regulating Gear, 20 teeth
Note: No. 249677 is furnished with machine unless another stitch regulating gear is specified on order		
249679	17922	Stitch Regulating Gear, 24 teeth
249682	17922	" " " 30 teeth
249725	17922	" " " 36 teeth
249727	17922	" " " 40 teeth
249744	17922	" " " 45 teeth
249923	17942	" " " Disengaging Lever
350337C	17942	" " " " " "
Hinge Screw		
40144	17942	Stitch Regulating Gear Disengaging Slide
40145	17942	" " " " " "
Bracket		
158E	17942	Stitch Regulating Gear Disengaging Slide Bracket Screw
95C	17942	Stitch Regulating Gear Disengaging Slide Operating Screw
99C	17942	Stitch Regulating Gear Disengaging Slide Screw
262033	18266	Stitch Regulating Gear Guard
201721C	17922	" " " Guide and Lock Nut
249739	17922	" " " Pin
249912	17922	" " " Spring
249705	18229	Stop Cam with two 202330
249706	18229	" " " Gear
249707	18229	" " " " Guard
164D	18229	" " " " Screw (2)
249708	18229	" " " " Stud
200522C	18229	" " " " Set Screw
249741	18229	" " Interlocking Rod
249709	18229	" " " " Guide with 1070C
249950	-----	" " " " " 249709 with 1959
1070C	18229	Stop Cam Interlocking Rod Guide Set Screw
39988	18229	" " " " " Washer (nylon)
21651	18229	Stop Cam Interlocking Rod Spring
913C	18229	" " " " " Regulating Thumb Screw
1638E	18229	Stop Cam Interlocking Rod Spring Regulating Thumb Screw Nut
202330	18229	Stop Cam Oil Packing (wick)
249742	18229	" " Spring
249943	18229	" " " Cover
200083D	18229	" " " " Screw (3)
871C	18229	" " " Stop Screw
249713	18229	" " " " " Block with 457AL
457AL	18229	" " " " " " Set Screw
Screw		
249922	18267	Stop Lever
50416C	18267	" " Hinge Screw
2102	18269	Tension (side of Arm) Disc (2)



No.	Plate	Name
1560C	18269	Tension (side of Arm) Regulating Thumb Nut
23519	18269	" " " " Releaser with 200F
40033	18265	" " " " " Arm with 50128E
12538	18265	Tension (side of Arm) Releaser Arm Pin
50128E	18265	" " " " " " Set Screw
40051	18265	Tension (side of Arm) Releaser Lever with 641C
40052	18265	Tension (side of Arm) Releaser Lever Lock Pin
1352C	18265	Tension (side of Arm) Releaser Lever Lock Pin Screw Bushing
40053	18265	Tension (side of Arm) Releaser Lever Lock Pin Spring
2117C	18265	Tension (side of Arm) Releaser Lever Pin
641C	18265	" " " " " " Set Screw
249880	18265	Tension (side of Arm) Releaser Lever Shaft
40067	18265	" " " " " " " Bracket
966D	18265	Tension (side of Arm) Releaser Lever Shaft Bracket Screw (3)
249843	18265	Tension (side of Arm) Releaser Lever Spring
1241E	18265	" " " " " " " Screw Stud (2)
717AL	18265	Tension (side of Arm) Releaser Lever Stop Screw
1520J	18265	Tension (side of Arm) Releaser Lever Stop Screw Nut
1469C	18229	Tension (side of Arm) Releaser Lever Stop Screw Stud
200F	18269	Tension (side of Arm) Releaser Set Screw
23520	18269	" " " " " " Shaft
40034	18269	" " " " " " Crank
679C	18269	" " " " " " " Ball Screw Stud
1520J	18269	Tension (side of Arm) Releaser Shaft Crank Ball Screw Stud Nut
2269	18269	Tension (side of Arm) Releaser Shaft Crank Pin
1043C	18269	Tension (side of Arm) Screw Stud
350060C	18269	" " " " " " Set Screw
46387	18269	" " " " " Spring
32012	18270	" (top cover) Disc (2)
1560C	18270	" " " " " Regulating Thumb Nut
249685	18270	" " " " " Releaser
249689	18268	" " " " " (last side of buttonhole)
69F	18268	Tension (top cover) Releaser (last side of buttonhole) Hinge Screw
1387C	18270	Tension (top cover) Releaser Guide Screw Stud
1521E	18270	Tension (top cover) Releaser Guide Screw Stud Nut
249686	18270	Tension (top cover) Releaser Holder with 201F

No.	Plate	Name
999F	18270	Tension (top cover) Releaser Holder Hinge -Screw
249690	18268	Tension (top cover) Releaser Plate
350229E	18268	" " " " " " Screw
206482	18268	" " " " " " " Washer
249687	18268	Tension (top cover) Releaser Rod
40043	18268	" " " " " " Collar with 209AL (2)
209AL	18268	Tension (top cover) Releaser Rod Collar Set Screw
249800	18268	Tension (top cover) Releaser Rod Spring
201F	18270	" " " " " " Set Screw
32572	18270	" " " " " Releasing Disc
39633	18270	" " " " " Lever
249688	18270	" " " " " " Connection
974F	18270	" " " " " " " Screw (back)
940F	18270	Tension (top cover) Releasing Lever Connection Screw (front)
90C	18270	Tension (top cover) Releasing Lever Hinge Screw
39635	18270	Tension (top cover) Releasing Pin
1388C	18270	" " " " " Screw Stud
1664E	18270	" " " " " " Nut
8238	18270	" " " " " Spring
39636	18270	" " " " " Thread Eyelet (double)
217F	18270	" " " " " " Screw
40035	17916	Thread (lower) Cutting Blade
40036	17916	" " " " " " Carrier with 40038
40037	18265	Thread (lower) Cutting Blade Carrier Lever
32C	18265	" " " " " " " Hinge Screw
249534	18265	Thread (lower) Cutting Blade Carrier Lever Spring
1241E	18265	Thread (lower) Cutting Blade Carrier Lever Spring Screw Stud (2)
435AL	18265	Thread (lower) Cutting Blade Carrier Lever Stop Screw
1520J	18265	Thread (lower) Cutting Blade Carrier Lever Stop Screw Nut
40038	17916	Thread (lower) Cutting Blade Carrier Stud
39646	17916	" " " " " " Friction Plate
228F	17916	" " " " " " " Screw (2)
240D	17916	Thread (lower) Cutting Blade Screw (2)
249831	18265	" " " " " " Lever
1351C	18265	" " " " " " Ball Screw
1520J	18265	" " " " " " " Nut
249871	18265	" " " " " " Extension
350246C	18265	" " " " " " " Hinge Screw
1521E	18265	Thread (lower) Cutting Lever Extension Hinge Screw Nut
249916	18265	Thread (lower) Cutting Lever Extension Spring

No.	Plate	Name
996E	18265	Thread (lower) Cutting Lever Extension Spring Screw Stud
249845	17916	Thread (lower) Pull-off Finger
106C	17916	" " " " Guide Screw
1350C	17916	" " " " Hinge Screw
249719	18264	" (upper) Clamping Blade
249720	18264	" " Cutting Blade
249826	18263	" " " " Connecting Rod
350265C	18263	" " " " " "
		Hinge Screw
40123	18263	Thread (upper) Cutting Blade Connecting Rod Latch
40124	18263	Thread (upper) Cutting Blade Connecting Rod Latch Block with 237X
40125	18263	Thread (upper) Cutting Blade Connecting Rod Latch Block Plate (adjustable)
217E	18263	Thread (upper) Cutting Blade Connecting Rod Latch Block Plate Screw
2273	18263	Thread (upper) Cutting Blade Connecting Rod Latch Block Position Pin
237X	18263	Thread (upper) Cutting Blade Connecting Rod Latch Block Set Screw
40045	18263	Thread (upper) Cutting Blade Connecting Rod Latch Block Washer (rawhide)
Note:	Three 40045	used on Machines for buttonholes from 1/2 to 1 inch
40126	18263	Thread (upper) Cutting Blade Connecting Rod Latch Block complete, Nos. 217E, 40124 and 40125
39861	18263	Thread (upper) Cutting Blade Connecting Rod Latch Hinge Bracket
39864	18263	Thread (upper) Cutting Blade Connecting Rod Latch Hinge Bracket Plate
201291B	18263	Thread (upper) Cutting Blade Connecting Rod Latch Hinge Bracket Plate Screw
201296D	18263	Thread (upper) Cutting Blade Connecting Rod Latch Hinge Bracket Screw
7071	18263	Thread (upper) Cutting Blade Connecting Rod Latch Hinge Bracket Screw Washer
201289C	18263	Thread (upper) Cutting Blade Connecting Rod Latch Hinge Screw
249691	18265	Thread (upper) Cutting Blade Connecting Rod Latch Lifting Arm
249989	18265	Thread (upper) Cutting Blade Connecting Rod Latch Lifting Arm Spring
249878	18265	Thread (upper) Cutting Blade Connecting Rod Latch Lifting Arm Stud
1521E	18265	Thread (upper) Cutting Blade Connecting Rod Latch Lifting Arm Stud Nut
208495	18265	Thread (upper) Cutting Blade Connecting Rod Latch Lifting Arm Washer
249930	18265	Thread (upper) Cutting Blade Connecting Rod Latch Lifting Lever
249990	18265	Thread (upper) Cutting Blade Connecting Rod Latch Lifting Lever Adjusting Plate

No.	Plate	Name
206F	18265	Thread (upper) Cutting Blade Connecting Rod Latch Lifting Lever Adjusting Plate Screw (2)
250491	18265	Thread (upper) Cutting Blade Connecting Rod Latch Lifting Lever Adjusting Plate Screw Washer
350287C	18265	Thread (upper) Cutting Blade Connecting Rod Latch Lifting Lever Screw
39541	18265	Thread (upper) Cutting Blade Connecting Rod Latch Lifting Lever Screw Washer
39862	18263	Thread (upper) Cutting Blade Connecting Rod Latch Spring
233D	18263	Thread (upper) Cutting Blade Connecting Rod Latch Spring Screw
23606	18263	Thread (upper) Cutting Blade Connecting Rod Spring
249879	18263	Thread (upper) Cutting Blade Connecting Rod Spring Bracket
40047	18263	Thread (upper) Cutting Blade Connecting Rod Spring Collar with 646F
646F	18263	Thread (upper) Cutting Blade Connecting Rod Spring Collar Set Screw
219F	18264	Thread (upper) Cutting Blade Screw
249827	18264	" " " " Shaft
249828	18264	" " " " " " Crank with 906C
232105	18264	Thread (upper) Cutting Blade Shaft Crank Pin
906C	18264	Thread (upper) Cutting Blade Shaft Crank Set Screw
249873	18265	Thread (upper) Cutting Lock (lower section)
249874	18265	" " " " (upper section)
90C	18265	" " " " Hinge Screw
203E	18265	" " " " Screw
249875	18265	Thread (upper) Cutting Lock complete, Nos. 249873, 249874 and two 203E
249779	18263	Thread (upper) End Cutting Block with 175E (adjustable)
175E	18263	Thread (upper) End Cutting Block Set Screw
249780	17942	" " " " Lever
249781	17942	" " " " " Bracket
690E	17942	" " " " " " Screw
50416C	17942	Thread (upper) End Cutting Lever Hinge Screw
249882	17942	Thread (upper) End Cutting Lever Link
201431C	17942	" " " " " " Hinge Screw (2)
249782	18266	Thread (upper) End Cutting Lever Operating Cam (adjustable) with 249784
249783	18266	Thread (upper) End Cutting Lever Operating Cam Position Collar with 450AL and 453AL
450AL	18266	Thread (upper) End Cutting Lever Operating Cam Position Collar Position Screw

No.	Plate	Name
453AL	18266	Thread (upper) End Cutting Lever Operating Cam Position Collar Set Screw
249784	18266	Thread (upper) End Cutting Lever Operating Cam Position Pin
249785	18266	Thread (upper) End Cutting Lever Operating Cam Spring
249786	17942	Thread (upper) End Cutting Lever Operating Lever
50416C	17942	Thread (upper) End Cutting Lever Operating Lever Hinge Screw
262032	17942	Thread (upper) End Cutting Lever Spring
237X	17942	" " " " " "
		Screw
249692	18269	Thread (upper) Guide
228D	18269	" " " " Screw (2)
23669	18269	" Guide (side of Arm) (lower)
1019C	18269	" " " " " " Set Screw
39711	18269	" Guiding Stud (side of Arm)
460AL	18269	" " " " Set Screw
39712	18270	" Retainer Holder with 462AL
1664E	18270	" " " " Nut
12400	18270	" " " Sleeve
39713	18270	" " " Spring
12402	18270	" " " Stud
462AL	18270	" " " " Set Screw
39714	18270	Thread Retainer complete, Nos. 1664E, 12400, 12402, 39712 and 39713
23523	17924	Thread Take-up Crank
1036AL	18220	" " " " Position Screw
1258AL	18220	" " " " Set Screw
23524	17924	" " " " Lever
12166	17924	" " " " Hinge Pin
23543	17924	" " " " Link
249915	17924	" " " " Hinge Pin with 222598
222598	17924	Thread Take-up Lever Link Hinge Pin Oil Packing (wick)
435AL	17924	Thread Take-up Lever Link Hinge Pin Set Screw
4784	17924	Thread Take-up Lever Oil Pad
23525	17924	Thread Take-up Lever complete, Nos. 12166, 23524 and 23543
39652	18269	Thread Take-up Spring
39950	18269	" " " " Regulator with 350060C
446C	18269	Thread Take-up Spring Regulator Set Screw

## ACCESSORIES

No.	Plate	Name
249698	18272	Gauge, for setting length of buttonhole, with 200137H and 249789
249889	18272	Gauge, for setting length of buttonhole, with 200137H and 249789, for use with Feed Wheel 249886
249789	18272	Gauge Chain and Ring
200137H	18272	" " " " Screw
23445	18268	Knife, 3/8 inch
23447	18268	" 1/2 inch
23450	18268	" 11/16 inch
23500	17925	Shuttle Bobbin (5)
249675	17922	Stitch Regulating Gear, 18 teeth
249679	17922	" " " " 24 teeth
249682	17922	" " " " 30 teeth
40035	17916	Thread (lower) Cutting Blade
249719	18264	" (upper) Clamping Blade
249720	18264	" " Cutting Blade
71 x 1	-----	Needles, three each, sizes 14 and 16
23527	18234	Drip Pan with two wood screws 1/2 in., No. 5, R. H. B.
120346	18272	Oiler (copper plated) with 120347
120347	18272	" Spout, 8-1/2 in. long
259477	18272	Screw Driver, 5 in. long
11831	18272	" " (5 in. blade) (machine, large)
228426	18272	" " (Bobbin Case)
249746	18272	" " for Needle Bar Connecting Stud Set Screw
255513	18272	Tweezers
21654	18272	Wrench
23535	18272	Wrench
249820	18272	Wrench
249945	18272	Wrench
255540	18272	Wrench
255541	18272	Wrench

## BOBBIN WINDER

249714	18271	Base with 27916 and two 28084
15072	18271	Bobbin Position Pin
27916	18271	Brake (leather)
28084	18271	" Rivet
249715	18271	Frame
50356D	18271	" Hinge Screw
1620J	18271	" " " " Nut

## ACCESSORIES

No.	Plate	Name
249716	18271	Frame Spring
27918	18271	Pulley
*27849	18271	Spindle
27538	18271	" 27849 with 15072, 27850 and 41828
*27850	18271	" Collar
41828	18271	" " Pin
249938	18271	Stop Latch
35D	18271	" " Hinge Screw
10249	18271	" " Spring
203E	18271	" " " Screw
7071	18271	" " " " Washer
262034	18271	Tension Bracket with 452AL
27921	18271	Tension Bracket complete, Nos. 1620J, 5989, 10145, 27922, 249693 and 262034
2455	18271	Tension Disc
1562J	18271	" Regulating Thumb Nut
418D	18271	" Screw Stud
10141	18271	" Spring
10145	18271	" Thread Guide
5989	18271	Tension complete, Nos. 418D, 1562J, 10141 and two 2455
27922	18271	Thread Eyelet Rod
452AL	18271	" " " Set Screw
249693	18271	" Leader
1620J	18271	" " Lock Nut
249939	18271	Bobbin Winder complete, Nos. 35D, 203E, 1620J, 7071, 10249, 27538, 27918, 50356D, 249714 to 249716 and 249938

## DRIVING EQUIPMENT

228320	18261	Bed Frame Cushion (felt)
228330	18261	Clamp Lifting Chain, 46 in. long, with 39575 and 39576 (for right hand machine)
39571	18261	Clamp Lifting Chain Guide Pulley
236849	18261	" " " " " Bracket
1064D	18261	" " " " " Hinge Screw
236850	18261	Clamp Lifting Chain Guide Pulley Bracket complete, Nos. 1064D, 39571, 236849 and two wood screws 1-1/4 in., No. 12, R. H. B.
39575	18261	Clamp Lifting Chain Hook (large)
39576	18261	" " " " (small)
23551	18261	" " " " Screw Eye
250408	18261	Machine Rest (high) with 232982 and two wood screws 1 in., No. 12
232982	18261	Machine Rest Cushion (leather)
228347	18261	Starting Chain (lower), 10-1/2 in. long
228348	18261	" " (upper), 27 in. long
228333	18261	" " Cushion Spring
39575	18261	" " Hook (large)
39576	18261	" " " (small)

## ACCESSORIES

No.	Plate	Name
228349	18261	Starting Chain complete, Nos. 228333, 228347, -228348, two each 39575 and 39576
39571	18261	Starting Chain Guide Pulley (large)
228494	18261	" " " " (small)
236849	18261	" " " " Bracket
1064D	18261	" " " " Hinge Screw
236850	18261	Starting Chain Guide Pulley Bracket (large) complete, Nos. 1064D, 39571, 236849 and two wood screws 1-1/4 in. No. 12, R. H. B.
228495	18261	Starting Chain Guide Pulley Bracket (small) complete, Nos. 1064D, 228494, 236849 and two wood screws 1-1/4 in., No. 12, R. H. B.
228500	18261	Table Extension with two wood screws 2-1/2 in., No. 12
14372	18261	Treadle
51088R	18261	" Bolt
67425	18261	" " Lock Washer
23250	18261	" " Washer
14373	18261	" Extension
50581R	18261	" " Screw
2718R	18261	" " " Washer
17881	18261	" Shaft
14374	18261	" Spring
14375	18261	" Stand
14379	18261	Treadle complete, Nos. 2718R, 14372 to 14375, 17881, 50581R, two each 23250, 51088R and 67425
228496	18261	Driving Equipment complete, for Motor Drive (without use of belt idlers) for use with Table 205295 and Stand No. 46998, Nos. 228330, 228349, 228495, 228500, 250408, two each 14379, 23551, three 236850 and four 228320

## IDLER PULLEY

150481	18234	Idler Pulley
249991	18234	" " Bracket with 200363AL, 201007C and 350453C
350453C	18234	Idler Pulley Bracket Position Screw
200363AL	18234	" " " Set Screw
249992	18234	Idler Pulley Bracket complete, Nos. 150496 and 249991
150482	18234	Idler Pulley Shaft
150483	18234	" " " Ball Bearing
150484	18234	" " " " " Cover
150485	18234	" " " " " " Gasket (cork)
330R	18234	Idler Pulley Shaft Ball Bearing Cover Screw
144D	18234	" " " Screw
201007C	18234	" " " Set Screw
150496	18234	Idler Pulley and Shaft complete, Nos. 144D, 150481 to 150485 and four 330R

## IRON BASE

No.	Plate	Name
249993	18234	Bed Frame with two each 16555, 19398, four each 84E, 24106, six 14010 and four wood screws 1-1/4 in., No. 12
24106	18234	Bed Frame Cushion (felt)
84E	18234	" " " Screw
19226	18234	" " Hinge Connection
19398	18234	" " " " 19226 with 211E and 19397
19397	18234	Bed Frame Hinge Connection Cap
211E	18234	" " " " " Screw
16555	18234	" " " " Plate
14010	18234	" " " " Rivet
249722	18234	Splash Guard with 201655H
39912	18234	" " Hinge
200574E	18234	" " " " Screw
201655H	18234	" " Locking Screw Wing Nut
249723	18234	Bed Frame and Splash Guard complete, Nos. 249722, 249993, two 39912 and eight 200574E

## THREAD UNWINDER

## FOR TWO SPOOLS

228692	17900	Spool Pin
201528H	17900	" " Nut
228693	17900	" " Washer
225257	17900	" Rest (for two spools) with 201018C, two each 201528H, 228692 and 228693
150203	17900	Spool Rest Cushion (felt)
225388	17900	" " Rod
200383C	17900	" " " Set Screw
201018C	17900	" " Set Screw
259658	17900	" Stand with 200383C
225391	17900	Thread Guide
201696H	17900	" " Lock Nut
225326	17900	" " Position Cup
225324	17900	" " Rod with 208AL and 225322
208AL	17900	" " " Screw
225322	17900	" " " Washer
225258	17900	Thread Unwinder (for two spools) complete, Nos. 201696H, 225257, 225324, 225326, 225388, 259658, two each 150203, 225391 and three wood screws 7/8 in., No. 12

## MISCELLANEOUS PARTS

## USED IN CONJUNCTION WITH THREAD UNWINDER

No.	Plate	Name
60913	17900	Spool Weight with 60914
60914	17900	" " Center Pin
225377	17900	" Wire, for small spools
27739	17900	Thread Cone (wood)
225390	17900	" " Holder

SINGER Needles should be used  
in SINGER Machines.  
These Needles and their Containers  
are marked with the  
Company's Trade Mark "SIMANCO.\*\*\*" 1

Needles in Containers marked  
"FOR SINGER MACHINES"  
are NOT **SINGER** made needles. 2

## NUMERICAL LIST OF PARTS

SINGER Needles should be used  
in SINGER Machines.  
These Needles and their Containers  
are marked with the  
Company's Trade Mark "SIMANCO.\*\*" 1

Needles in Containers marked  
"FOR SINGER MACHINES"  
are NOT **SINGER** made needles. 2

No.	Plate	Name
32C	18265	Thread (lower) Cutting Blade Carrier Lever Hinge Screw
35D	18271	Bobbin Winder Stop Latch Hinge Screw, for 249939
41C	18265	Clamp Lifting Arm Connection Hinge Screw
52C	18267	" Carrier Connecting Rod Hinge Screw
54C	18268	Knife Bar Driving Lever (intermediate) Connecting Link Hinge Screw
59D	17942	Sewing Safety Lock Hinge Screw
61C	18229	Starting Lever Rod Hinge Screw
67D	18267	Clamp Carrier Slide Lever Regulator Screw
69F	18268	Tension (top cover) Releaser (last side of buttonhole) Hinge Screw
84E	18234	Bed Frame Cushion Screw, for 249993
90D	17942	Feed Hand Ratchet Lever Pawl Hinge Screw, for 249914
90C	18268	Knife Bar Disengaging Lever Hinge Screw
90C	18270	Tension (top cover) Releasing Lever Hinge Screw
90C	18265	Thread (upper) Cutting Lock Hinge Screw
95C	17942	Stitch Regulating Gear Disengaging Slide Operating Screw, for 249913
99C	17942	Stitch Regulating Gear Disengaging Slide Screw, for 249913
106G	17916	Thread (lower) Pull-off Finger Guide Screw
123E	18229	Starting Lever Bracket Screw
124AL	18229	" " Stop Screw
129E	17922	Needle Bar Frame Driving Gear (intermediate) Bracket Screw
135D	18271	Bobbin Winder Tension Bracket Screw
144D	18234	Idler Pulley Shaft Screw, for 150496
144D	18268	Knife Bar Driving Lever (intermediate) Cap Screw
145F	17925	Shuttle Race Screw
157F	18265	Clamp Lifting Arm Connection Roller and Screw Stud Bracket Screw
157C	18268	Knife Holder Screw
158E	17942	Belt Shifter Shaft Bracket Extension Screw
158E	17942	Stitch Regulating Gear Disengaging Slide Bracket Screw, for 249913
160H	17942	Feed Hand Ratchet Lever Extension Handle Screw, for 249914
161D	18271	Bobbin Winder Base Screw
161D	18266	Feed Driving Gear (intermediate) Pinion Shaft Eccentric Bushing Position Plate Screw
164D	18229	Stop Cam Gear Guard Screw
168D	18268	Knife Bar Stop Retainer Plate Screw
175E	18266	" " Disengaging Lever Catch Tripping Point Screw, for 249869

## NUMERICAL LIST OF PARTS

No.	Plate	Name
175E	18263	Thread (upper) End Cutting Block Set Screw, for 249779
184E	18267	Feed Wheel Tripping Lever Stop Screw
190D	18270	Arm Side Cover Screw
190D	18270	" Top Cover Screw
190D	18219	Face Plate Screw (upper)
190D	18267	Feed Wheel Tripping Lever Spring Screw
190C	17924	Needle Bar Frame Pitman Adjusting Screw, for 23611
190D	18220	Oscillating Shaft Bushing (front) Oil Tube Plate Screw
191C	18268	Barring Point Screw
191D	17942	Belt Shifter Shaft Bracket Stop Screw
191C	17885	Clamp Arm Bracket Screw
191C	18268	Knife Screw
191C	18229	Starting Lever Spring Collar Set Screw, for 39675
194C	17942	Clamp Lifting Arm Connection Lock Stop Plate Support Stud
196F	17885	Clamp Arm Hinge Block Pin Set Screw, for 39584
199D	18263	Clamp Lifting Arm Screw
200F	18269	Tension (side of Arm) Releaser Set Screw, for 23519
201F	18270	Tension (top cover) Releaser Set Screw, for 249686
203E	18271	Bobbin Winder Stop Latch Spring Screw, for 249939
203C	18267	Feed Wheel Tripping Lever Point Screw
203E	17925	Shuttle Race Plate Screw, for 249929
203E	18265	Thread (upper) Cutting Lock Screw, for 249875
206F	18265	Thread (upper) Cutting Blade Connecting Rod Latch Lifting Lever Adjusting Plate Screw
207F	17885	Clamp Arm Bracket Guide (right) Screw
208AL	18270	Barring Shaft Guard Screw
208AL	17900	Thread Unwinder Thread Guide Rod Screw, for 225324
209AL	18268	Tension (top cover) Releaser Rod Collar Set Screw, for 40043
211E	18234	Bed Frame Hinge Connection Cap Screw, for 19398
212D	18263	Clamp Check Holder Hinge Cap Screw
217D	18219	Face Plate Screw (lower)
217F	18270	Tension (top cover) Thread Eyelet Screw
217E	18263	Thread (upper) Cutting Blade Connecting Rod Latch Block Plate Screw, for 40126
219F	17885	Clamp Arm Bracket Guide (left) Screw
219F	18264	Thread (upper) Cutting Blade Screw, for 249629 and 249758
220D	18267	Feed Wheel Tripping Point Screw, for 249638 and 249886
223D	17922	Barring Slide Operating Plate (adjustable) Screw
223D	18267	Clamp Carrier Slide Lever Regulator Cap Screw

## NUMERICAL LIST OF PARTS

No.	Plate	Name
226J	18220	Oscillating Shaft Crank Slide Block Cap Screw, for 24050
228D	17922	Barring Slide Operating Plate (stationary) Screw
228F	17916	Thread (lower) Cutting Blade Friction Plate Screw
228D	18269	Thread (upper) Guide Screw
229D	18265	Clamp Lifting Arm Connection Roller Cap Screw, for 1901
229D	17922	Intermittent Feed Wheel Driving Roller Cap Screw, for 351872
229D	18268	Knife Bar Driving Lever (intermediate) Roller Cap Screw, for 1959
233D	18263	Thread (upper) Cutting Blade Connecting Rod Latch Spring Screw
237X	17942	Belt Shifter Shaft Guide Collar Set Screw, for 249861
237X	18263	Clamp Check Holder Stop Screw
237X	18263	Thread (upper) Cutting Blade Connecting Rod Latch Block Set Screw, for 40124
237X	17942	Thread (upper) End Cutting Lever Spring Screw
240D	18267	Clamp Carrier Regulator Stud Stop Screw, for 249623
240D	17916	Thread (lower) Cutting Blade Screw
330R	18234	Idler Pulley Shaft Ball Bearing Cover Screw, for 150496
337E	18264	Clamp Check Clamping Section Screw, for 249629
337B	18263	Clamp Check Holder Adjusting Screw
399D	17925	Shuttle Bobbin Case Position Plate Screw, for 249929
402D	17885	Clamp Arm Screw
402D	17885	" Plate Support Screw
404D	18267	" Carrier Block Plate Screw, for 40006
404D	17885	" " Plate Screw (front)
418D	18271	Bobbin Winder Tension Screw Stud, for 5989
435AL	18220	Arm Shaft Flanged Bushing (back) Set Screw
435AL	18265	Thread (lower) Cutting Blade Carrier Lever Stop Screw
435AL	17924	Thread Take-up Lever Link Hinge Pin Set Screw
446C	17924	Needle Bar Frame Regulator Hinge Stud Set Screw
446C	18269	Thread Take-up Spring Regulator Set Screw
448AL	18266	Feed Driving Gear Set Screw, for 249846
448AL	18266	Knife Bar Disengaging Lever Catch Tripping Point Collar Set Screw, for 249869
448AL	18220	Oscillating Rock Shaft Hinge Pin Set Screw
450AL	18266	Thread (upper) End Cutting Lever Operating Cam Position Collar Position Screw, for 249783
452AL	17922	Barring Slide Stop Screw (adjustable) Set Screw, for 249611
452AL	18271	Bobbin Winder Thread Eyelet Rod Set Screw, for 262034

## NUMERICAL LIST OF PARTS

No.	Plate	Name
453AL	18220	Intermittent Feed Wheel Driving Bevel Pinion Set Screw, for 249645
453AL	18266	Thread (upper) End Cutting Lever Operating Cam Position Collar Set Screw, for 249783
454AL	18220	Pulley (tight) Set Screw, for 249702
457E	18266	Feed Driving Gear (intermediate) Set Screw, for 249965
457AL	18229	Stop Cam Spring Stop Screw Block Set Screw, for 249713
460AL	18266	Feed Hand Ratchet Wheel Set Screw, for 39924
460AL	18269	Thread Guiding Stud Set Screw
462AL	18220	Shuttle Driver Set Screw, for 23505
462AL	18270	Thread Retainer Stud Set Screw, for 39712
564C	18229	Starting Lever Screw Center, for 58384
591F	17925	Shuttle Tension Regulating Screw, for 249921
592E	17925	" Bobbin Case Latch Stop Screw, for 249921
625F	17885	Clamp Arm Adjusting Screw
641C	18265	Tension (side of Arm) Releaser Lever Set Screw, for 40051
646F	18267	Feed Wheel Tripping Lever Screw Stud, for 249913
646F	18263	Thread (upper) Cutting Blade Connecting Rod Spring Collar Set Screw, for 40047
662D	17925	Shuttle Race Cap Screw, for 249929
673F	17924	Needle Bar Frame Screw Center
679C	18269	Tension (side of Arm) Releaser Shaft Crank Ball Screw Stud
690D	18265	Clamp Lifting Arm Connection Lock Trip Lever Pinch Screw, for 249760
690E	17942	Thread (upper) End Cutting Lever Bracket Screw
704E	17922	Barring Slide Stop Attaching Screw
704C	18265	Clamp Lifting Arm Connection Screw, for 249866
717AL	18229	Starting Lever Adjusting Screw
717AL	18265	Tension (side of Arm) Releaser Lever Stop Screw
748E	18219	Arm Screw (back)
756E	18266	Belt Shifter Trip Point Screw, for 249869
756D	17916	Clamp Carrier Guide (left) Screw (long), for 39605
766D	17942	Sewing Safety Lock Pitman Hinge Screw (front)
794E	17924	Needle Bar Connecting Link Adjusting Screw, for 23476
805C	18268	Knife Bar Driving Lever Spring Screw
858AL	18220	Needle Bar Crank Set Screw, for 23477
868E	18219	Arm Screw (front)
871C	18229	Stop Cam Spring Stop Screw
896E	18220	Crank Connecting Rod Cap Screw, for 24028
898C	17922	Barring Slide Stop Screw (adjustable)
904F	17924	Needle Set Screw, for 39857
906C	18264	Thread (upper) Cutting Blade Shaft Crank Set Screw, for 249828

## NUMERICAL LIST OF PARTS

No.	Plate	Name
907E	17925	Shuttle Race Back Spring Screw, for 249929
908C	18220	Crank Connecting Rod Hinge Screw
913C	18229	Stop Cam Interlocking Rod Spring Regulating Thumb Screw
914F	17916	Clamp Carrier Slide Guide Screw
914F	17942	Sewing Safety Lock Pitman Screw, for 249949
934X	17916	Clamp Carrier Stay Plate Screw, for 249751
940F	17942	" Lifting Arm Connection Lock Hinge Screw
940F	18270	Tension (top cover) Releasing Lever Connection Screw (front)
966D	18265	Tension (side of Arm) Releaser Lever Shaft Bracket Screw
974F	18270	Tension (top cover) Releasing Lever Connection Screw (back)
996E	18265	Thread (lower) Cutting Lever Extension Spring Screw Stud
999F	18270	Tension (top cover) Releaser Holder Hinge Screw
1019C	18269	Thread Guide (side of Arm) (lower) Set Screw
1021E	17924	Needle Bar Connecting Link Cap Screw
1034F	18270	Intermittent Feed Wheel Driving Roller Oiling Felt Holder Screw
1035C	18220	Oscillating Shaft Crank Slide Block Screw Stud, for 24050
1036AL	18220	Thread Take-up Crank Position Screw, for 23477
1038C	17924	Needle Bar Frame Regulator Adjusting Screw
1042C	17924	Needle Bar Frame Pitman Hinge Screw
1043C	18269	Tension (side of Arm) Screw Stud
1064D	18261	Clamp Lifting Chain Guide Pulley Hinge Screw, for 236850
1064D	18261	Starting Chain Guide Pulley Hinge Screw, for 228495 and 236850
1065AL	18220	Needle Bar Crank Position Screw, for 23477
1069D	18220	Arm Shaft Screw
1070C	18229	Stop Cam Interlocking Rod Guide Set Screw, for 249709
1149AL	17922	Needle Bar Frame Driving Gear (intermediate) Stud Set Screw, for 249669
1230F	17916	Clamp Carrier Guide (right) Screw
1231F	17885	" " Plate Screw (back)
1232C	18267	" " Regulator Hinge Screw
1234C	18267	" " Slide Regulating Stud
1235F	18219	Bed Oil Guard Screw
1235F	17916	Clamp Plate Screw
1239D	18268	Knife Bar Connecting Link Hinge Cap Screw
1240C	18268	" " " " " Screw
1241E	18268	" " Disengaging Lever Catch Spring Screw Stud
1241E	18265	Tension (side of Arm) Releaser Lever Spring Screw Stud
1241E	18265	Thread (lower) Cutting Blade Carrier Lever Spring Screw Stud



## NUMERICAL LIST OF PARTS

No.	Plate	Name
1242E	18268	Knife Bar Disengaging Lever Screw Stud, for 249656
1242E	18268	Knife Bar Disengaging Lever Spring Screw, for 249658
1243C	17924	Knife Holder Guide Stud
1253C	18220	Oscillating Shaft Crank Set Screw, for 39658
1256D	17916	Clamp Carrier Slide Screw
1258AL	18220	Thread Take-up Crank Set Screw, for 23477
1294C	17885	Clamp Spring Bushing Position Stud
1296AL	18263	" Check Screw
1296AL	18263	" " Stop Screw
1319F	18268	Knife Bar Connecting Stud Clamping Screw, for 23462
1330C	18268	Barring Lever Spring Screw Stud
1341C	17924	Needle Bar Connecting Stud Set Screw, for 39601
1345D	17916	Clamp Carrier Guide (left) Screw (short), for 39605
1350C	17916	Thread (lower) Pull-off Finger Hinge Screw
1351C	18265	" " Cutting Lever Ball Screw
1352C	18265	Tension (side of Arm) Releaser Lever Lock Pin Screw Bushing
1387C	18270	Tension (top cover) Releaser Guide Screw Stud
1388C	18270	Tension (top cover) Screw Stud
1396E	17922	Intermittent Feed Wheel Driving Bevel Gear Bracket Screw
1428C	18268	Knife Bar Driving Lever Screw Stud
1449H	17942	Feed Hand Ratchet Lever Pawl Spring Screw, for 249914
1469C	18229	Tension (side of Arm) Releaser Lever Stop Screw Stud
1508R	18229	Starting Lever Screw Center Nut, for 58384
1517J	17924	Needle Bar Frame Screw Center Nut
1518J	18229	Starting Lever Stop Screw Nut
1520J	18267	Clamp Carrier Regulator Roller and Screw Stud Nut, for 1960
1520J	18267	Clamp Carrier Slide Lever Roller and Screw Stud Nut, for 1960
1520J	18265	Clamp Lifting Arm Connection Hinge Screw Nut
1520J	18229	Starting Lever Adjusting Screw Nut
1520J	18265	Tension (side of Arm) Releaser Lever Stop Screw Nut
1520J	18269	Tension (side of Arm) Releaser Shaft Crank Ball Screw Stud Nut
1520J	18265	Thread (lower) Cutting Blade Carrier Lever Stop Screw Nut
1520J	18265	Thread (lower) Cutting Lever Ball Screw Nut
1521E	18270	Tension (top cover) Releaser Guide Screw Stud Nut
1521E	18265	Thread (lower) Cutting Lever Extension Hinge Screw Nut
1521E	18265	Thread (upper) Cutting Blade Connecting Rod Latch Lifting Arm Stud Nut

## NUMERICAL LIST OF PARTS

No.	Plate	Name
1547X	17885	Clamp Arm Adjusting Screw Nut
1547X	18268	Knife Bar Disengaging Lever Catch Hinge Screw Nut
1547X	18268	Knife Holder Screw Nut
1547X	17924	Needle Bar Frame Pitman Hinge Screw Nut
1550J	17885	Clamp Spring Bushing Position Stud Nut
1560C	18269	Tension (side of Arm) Regulating Thumb Nut
1560C	18270	" (top cover) Regulating Thumb Nut
1562J	18271	Bobbin Winder Tension Regulating Thumb Nut, for 5989
1607E	17922	Barring Slide Operating Plate Adjusting Screw Nut
1608C	17924	Knife Holder Guide Stud Nut
1619E	18220	Crank Connecting Rod Hinge Screw Nut
1620J	18271	Bobbin Winder Frame Hinge Screw Nut, for 249939
1620J	18271	Bobbin Winder Thread Leader Lock Nut, for 27921
1620E	18267	Feed Wheel Tripping Lever Hinge Screw Nut
1636E	18220	Oscillating Shaft Crank Slide Block Screw Stud Nut, for 39658
1638E	18229	Stop Cam Interlocking Rod Spring Regulating Thumb Screw Nut
1651J	17924	Needle Bar Frame Connection Hinge Screw Lock Nut
1658C	18267	Clamp Carrier Slide Regulating Stud Thumb Nut
1659C	17885	Clamp Pressure Regulating Thumb Nut
1664E	18270	Tension (top cover) Screw Stud Nut
1664E	18270	Thread Retainer Holder Nut, for 39714
1671C	18267	Clamp Carrier Regulator Stud Nut
1698C	17924	Needle Bar Frame Regulator Adjusting Screw Nut
1901	18265	Clamp Lifting Arm Connection Roller and Screw Stud with 229D and 12424
1959	18268	Knife Bar Driving Lever (intermediate) Roller and Screw Stud with 229D and 12424, for 249950
1960	18267	Clamp Carrier Regulator Roller and Screw Stud with 1520J, for 249623
1960	18267	Clamp Carrier Slide Lever Roller and Screw Stud with 1520J, for 249625
1963	18268	Knife Bar Disengaging Lever Catch Roller and Stud, for 249657
2102	18269	Tension (side of Arm) Disc
2117C	18265	" " " " Releaser Lever Pin
2269	17942	Belt Shifter Shaft Guide Collar Position Pin
2269	18220	Shuttle Driver Pin
2269	18269	Tension (side of Arm) Releaser Shaft Crank Pin
2273	18263	Thread (upper) Cutting Blade Connecting Rod Latch Block Position Pin
2455	18271	Bobbin Winder Tension Disc, for 5989
2523	17925	Shuttle Bobbin Case Position Finger Rivet, for 249921
2532	17925	Shuttle Race Back Position Pin, for 249929

## NUMERICAL LIST OF PARTS

No.	Plate	Name
2533	17925	Shuttle Race Back Spring, for 249929
2718R	18261	Treadle Extension Screw Washer, for 14379
2974	17925	Shuttle Bobbin Case Latch Lever Fulcrum Pin, for 249919
2975	17925	Shuttle Bobbin Case Latch Spring, for 249921
3012	18266	Feed Hand Ratchet Wheel Pin
4784	18220	Oscillating Rock Shaft Oil Pad, for 39654
4784	17924	Thread Take-up Lever Oil Pad, for 23478
5989	18271	Bobbin Winder Tension complete, Nos. 418D, 1562J, 10141 and two 2455, for 27921
7070	17924	Needle Bar Frame Regulator Adjusting Screw Sleeve
7071	18271	Bobbin Winder Stop Latch Spring Screw Washer, for 249939
7071	17924	Needle Bar Frame Pitman Adjusting Screw Washer, for 23611
7071	18263	Thread (upper) Cutting Blade Connecting Rod Latch Hinge Bracket Screw Washer
7278	18267	Clamp Carrier Slide Lever Socket Joint
7326	17925	Shuttle Race Cap, for 249929
8238	18270	Tension (top cover) Spring
8582	18219	Arm Dowel Pin
8582	18229	Starting Lever Bracket Dowel Pin
10141	18271	Bobbin Winder Tension Spring, for 5989
10145	18271	" " " Thread Guide, for 27921
10249	18271	Bobbin Winder Stop Latch Spring, for 249939
11831	18272	Screw Driver (5 in. blade) (machine, large)
12166	17924	Thread Take-up Lever Hinge Pin, for 23525
12400	18270	" Retainer Sleeve, for 39714
12402	18270	" " Stud, for 39714
12424	18265	Clamp Lifting Arm Connection Roller Cap Screw Washer, for 1901
12424	18268	Knife Bar Driving Lever (intermediate) Roller Cap Screw Washer, for 1959
12424	18220	Oscillating Shaft Crank Slide Block Cap Screw Washer, for 24050
12538	18265	Tension (side of Arm) Releaser Arm Pin
12546	17922	Intermittent Feed Wheel Position Pin, for 249946
12546	17922	Needle Vibrating Gear Position Pin, for 249946
14010	18234	Bed Frame Hinge Plate Rivet, for 249993 Nos. 14372 to 14375, for 14379
14372	18261	Treadle
14373	18261	" Extension
14374	18261	" Spring
14375	18261	" Stand
14379	18261	Treadle complete, Nos. 2718R, 14372 to 14375, 17881, 50581R, two each 23250, 51088R and 67425, for 228496
15072	18271	Bobbin Winder Bobbin Position Pin, for 27538
15098	17925	Shuttle Tension Spring, for 249921
15140	17925	" Bobbin Case Latch, for 249919
16555	18234	Bed Frame Hinge Plate, for 249993

## NUMERICAL LIST OF PARTS

No.	Plate	Name
17881	18261	Treadle Shaft, for 14379
19226	18234	Bed Frame Hinge Connection, for 19398
19397	18234	" " " " Cap, for 19398
19398	18234	" " " " 19226 with 211E and 19397, for 249993
19448	18220	Oscillating Shaft Crank Slide Block, for 24050
21651	18229	Stop Cam Interlocking Rod Spring
21654	18272	Wrench
23250	18261	Treadle Bolt Washer, for 14379
23379	17885	Clamp Arm Hinge Block
23380	17885	" " " " Pin
23384	18267	" Carrier Connecting Rod
23389	17922	Intermittent Feed Wheel Driving Roller Cap Screw Washer, for 351872
23390	18265	Clamp Lifting Arm Connection Screw Washer, for 249866
23390	18268	Knife Screw Washer
23392	17916	Clamp Carrier Slide Guide (left)
23393	17916	" " " " (right)
23395	18267	" " " Lever Regulator
23396	18267	" " " " Cap
23397	18267	" " " Regulating Stud
		Bushing
23404	17885	Clamp Spring
23421	18220	Oscillating Rock Shaft Hinge Pin Oil Hole Plug (leather), for 23494
23435	18267	Feed Wheel Tripping Lever Spring
23445	18268	Knife, 3/8 inch
23446	18268	" 7/16 inch
23447	18268	" 1/2 inch
23448	18268	" 9/16 inch
23449	18268	" 5/8 inch
23450	18268	" 11/16 inch
23451	18268	" 3/4 inch
23452	18268	" 13/16 inch
23453	18268	" 7/8 inch
23454	18268	" 15/16 inch
23455	18268	" 1 inch
23460	18268	" Bar
23461	18268	" " Connecting Link
23462	18268	" " " Stud with 1319F
23466	18266	" " Disengaging Lever Catch Tripping Point, for 249869
23471	18268	Knife Bar Driving Lever (intermediate) Connecting Link
23476	17924	Needle Bar Connecting Link with 794E
23477	18220	" " Crank with 858AL, 1036AL, 1065AL and 1258AL
23478	17924	Needle Bar Frame with 4784
23494	18220	Oscillating Rock Shaft Hinge Pin with 23421, for 39654
23500	17925	Shuttle Bobbin, for 249918
23501	17925	" " Case Position Finger, for 249921
23503	17925	Shuttle Body, for 249918

## NUMERICAL LIST OF PARTS

No.	Plate	Name
23505	18220	Shuttle Driver with 462AL
23511	18229	Starting Lever Rod
23519	18269	Tension (side of Arm) Releaser with 200F
23520	18269	" " " " " Shaft
23523	17924	Thread Take-up Crank
23524	17924	" " Lever, for 23525
23525	17924	Thread Take-up Lever complete, Nos. 12166, 23524 and 23543
23527	18234	Drip Pan with two wood screws 1/2 in., No. 5, R. H. B.
23535	18272	Wrench
23543	17924	Thread Take-up Lever Link, for 23525
23551	18261	Clamp Lifting Chain Screw Eye, for 228496
23554	18265	Belt Shifter Shaft Bracket Spring
23573	17885	Clamp Plate Support
23574	17885	" Post
23606	18263	Thread (upper) Cutting Blade Connecting Rod Spring
23609	17924	Needle Bar Frame Pitman (regulator end), for 23611
23610	17924	Needle Bar Frame Pitman (hinge screw end), for 23611
23611	17924	Needle Bar Frame Pitman (adjustable) complete, Nos. 23609, 23610, two each 190C and 7071
23669	18269	Thread Guide (side of Arm) (lower)
23681	18268	Knife Bar Driving Lever Spring
23693	17885	Clamp Spring Bushing
24028	18220	Crank Connecting Rod with 24085 and two 896E
24047	18220	Oscillating Shaft Bushing (front)
24050	18220	Oscillating Shaft Crank Slide Block complete, Nos. 226J, 1035C, 12424 and 19448, for 39658
*24081	-----	Arm Shaft Bushing (front), for 249601
*24085	-----	Crank Connecting Rod Cap, for 24028
24106	18234	Bed Frame Cushion (felt), for 249993
27538	18271	Bobbin Winder Spindle 27849 with 15072, 27850 and 41828, for 249939
27739	17900	Thread Unwinder Thread Cone (wood)
*27849	18271	Bobbin Winder Spindle, for 27538
*27850	18271	" " " Collar, for 27538
27916	18271	" " Brake (leather), for 249714
27918	18271	" " Pulley, for 249939
27921	18271	Bobbin Winder Tension Bracket complete, Nos. 1620J, 5989, 10145, 27922, 249693 and 262034
27922	18271	Bobbin Winder Thread Eyelet Rod, for 27921
28084	18271	" " Brake Rivet, for 249714
32012	18270	Tension (top cover) Disc
32572	18270	" " " Releasing Disc
39504	17924	Needle Bar Frame Regulator Adjusting Screw Washer
39532	18267	Clamp Carrier Regulator Stud Sleeve
39541	17885	" Arm Bracket Screw Washer
39541	18265	" Lifting Arm Connection Roller and Screw Stud Bracket Screw Washer

## NUMERICAL LIST OF PARTS

No.	Plate	Name
39541	17942	Sewing Safety Lock Pitman Screw Washer, for 249949
39541	18265	Thread (upper) Cutting Blade Connecting Rod Latch Lifting Lever Screw Washer
39571	18261	Clamp Lifting Chain Guide Pulley, for 236850
39571	18261	Starting Chain Guide Pulley (large), for 236850
39575	18261	Clamp Lifting Chain Hook (large), for 228330
39575	18261	Starting Chain Hook (large), for 228349
39576	18261	Clamp Lifting Chain Hook (small), for 228330
39576	18261	Starting Chain Hook (small), for 228349
39583	18267	Clamp Carrier Regulator Stud Stop, for 249623
39584	17885	Clamp Arm Bracket with 196F
39591	17916	" Carrier Guide (left), for 39605
39601	17924	Needle Bar Connecting Stud with 1341C
39605	17916	Clamp Carrier Slide with 1345D, 39591 and two 756D
39620	18270	Arm Side Cover
39633	18270	Tension (top cover) Releasing Lever
39635	18270	" " " " Pin
39636	18270	" " " Thread Eyelet (double)
39645	17916	Clamp Carrier Guide (right)
39646	17916	Thread (lower) Cutting Blade Friction Plate
39647	18263	Clamp Arm
39650	18263	" Check Holder, for use with 249629
39652	18269	Thread Take-up Spring
39653	18220	Oscillating Rock Shaft, for 39654
39654	18220	Oscillating Rock Shaft complete, Nos. 4784, 23494 and 39653
39655	18220	Oscillating Shaft
39656	18220	" " Bushing (back)
39657	18220	" " Crank, for 39658
39658	18220	Oscillating Shaft Crank complete, Nos. 1636E, 24050, 39657 and two 1253C
39675	18229	Starting Lever Spring Collar with two 191C
39711	18269	Thread Guiding Stud (side of Arm)
39712	18270	" Retainer Holder with 462AL, for 39714
39713	18270	Thread Retainer Spring, for 39714
39714	18270	Thread Retainer complete, Nos. 1664E, 12400, 12402, 39712 and 39713
39715	18263	Clamp Check Holder Stop Screw Washer
39857	17924	Needle Bar with 904F
39861	18263	Thread (upper) Cutting Blade Connecting Rod Latch Hinge Bracket
39862	18263	Thread (upper) Cutting Blade Connecting Rod Latch Spring
39864	18263	Thread (upper) Cutting Blade Connecting Rod Latch Hinge Bracket Plate
39882	17942	Belt Shifter Stop Washer (rawhide)
39912	18234	Splash Guard Hinge, for 249723
39924	18266	Feed Hand Ratchet Wheel with 460AL
39950	18269	Thread Take-up Spring Regulator with 350060C
39969	17925	Shuttle Race Back, for 249929

## NUMERICAL LIST OF PARTS

No.	Plate	Name
39988	18229	Stop Cam Interlocking Rod Guide Washer (nylon)
40003	17885	Clamp Arm Bracket Guide (left)
40004	17885	" " " " (right)
40006	18267	" Carrier Block with 40007 and four 404D
40007	18267	Clamp Carrier Block Plate, for 40006
40016	18265	" Lifting Arm Connection Roller and Screw Stud Bracket
40020	17885	Clamp Plate
40025	18266	Feed Driving Gear Position Pin
40025	18220	Intermittent Feed Wheel Driving Bevel Pinion Position Pin
40025	18220	Pulley (tight) Pin
40033	18265	Tension (side of Arm) Releaser Arm with 50128E
40034	18269	Tension (side of Arm) Releaser Shaft Crank
40035	17916	Thread (lower) Cutting Blade
40036	17916	" " " " Carrier with 40038
40037	18265	Thread (lower) Cutting Blade Carrier Lever
40038	17916	" " " " Stud, for 40036
40043	18268	Tension (top cover) Releaser Rod Collar with 209AL
40045	18263	Thread (upper) Cutting Blade Connecting Rod Latch Block Washer (rawhide)
40047	18263	Thread (upper) Cutting Blade Connecting Rod Spring Collar with 646F
40051	18265	Tension (side of Arm) Releaser Lever with 641C
40052	18265	Tension (side of Arm) Releaser Lever Lock Pin
40053	18265	Tension (side of Arm) Releaser Lever Lock Pin Spring
40067	18265	Tension (side of Arm) Releaser Lever Shaft Bracket
40123	18263	Thread (upper) Cutting Blade Connecting Rod Latch
40124	18263	Thread (upper) Cutting Blade Connecting Rod Latch Block with 237X, for 40126
40125	18263	Thread (upper) Cutting Blade Connecting Rod Latch Block Plate (adjustable), for 40126
40126	18263	Thread (upper) Cutting Blade Connecting Rod Latch Block complete, Nos. 217E, 40124 and 40125
40140	18266	Feed Wheel Shaft
40141	18266	" Driving Gear (intermediate) (large), for stud
40142	17942	Feed Driving Gear (intermediate) Bracket Position Lever, for 249913
40144	17942	Stitch Regulating Gear Disengaging Slide, for 249913
40145	17942	Stitch Regulating Gear Disengaging Slide Bracket, for 249913

## NUMERICAL LIST OF PARTS

No.	Plate	Name
41828	18271	Bobbin Winder Spindle Collar Pin, for 27538
46387	18269	Tension (side of Arm) Spring
50128E	18265	" " " " Releaser Arm Set Screw, for 40033
50138F	18264	Clamp Check Section and Cutting Plate Screw, for 249626 and 249755
50356D	18271	Bobbin Winder Frame Hinge Screw, for 249939
50416C	18268	Knife Bar Disengaging Lever Catch Hinge Screw
50416C	18267	Stop Lever Hinge Screw, for 249913
50416C	17942	Thread (upper) End Cutting Lever Hinge Screw
50416C	17942	Thread (upper) End Cutting Lever Operating Lever Hinge Screw
50581R	18261	Treadle Extension Screw, for 14379
50615D	18268	Knife Bar Stop Retainer Plate Screw
51047E	17942	Belt Shifter Shaft Bracket Extension Pinch Screw, for 249858
51088R	18261	Treadle Bolt, for 14379
58384	18229	Starting Lever Screw Center 564C with 1508R
60913	17900	Thread Unwinder Spool Weight with 60914
60914	17900	" " " " Center Pin, for 60913
67425	18261	Treadle Bolt Lock Washer, for 14379
120346	18272	Oiler (copper plated) with 120347
120347	18272	" Spout, 8-1/2 in. long, for 120346
150203	17900	Thread Unwinder Spool Rest Cushion (felt), for 225258
		Nos. 150481 to 150485, for 150496
150481	18234	Idler Pulley
150482	18234	" " Shaft
150483	18234	" " " Ball Bearing
150484	18234	" " " " " Cover
150485	18234	" " " " " " Gasket (cork)
150496	18234	Idler Pulley and Shaft complete, Nos. 144D, 150481 to 150485 and four 330R, for 249992
200068H	17922	Needle Bar Frame Driving Gear Screw
200083D	18229	Stop Cam Spring Cover Screw
200137H	18272	Gauge Chain and Ring Screw, for 249698 and 249889
200363AL	18234	Idler Pulley Bracket Set Screw, for 249991
200383C	17900	Thread Unwinder Spool Rest Rod Set Screw, for 259658
200522C	18229	Stop Cam Gear Stud Set Screw
200574E	18234	Splash Guard Hinge Screw, for 249723
200584D	18220	Pulley (loose) Grease Retaining Screw, for 249890
201007C	18234	Idler Pulley Shaft Set Screw, for 249991
201018C	17900	Thread Unwinder Spool Rest Set Screw, for 225257
201289C	18263	Thread (upper) Cutting Blade Connecting Rod Latch Hinge Screw
201291B	18263	Thread (upper) Cutting Blade Connecting Rod Latch Hinge Bracket Plate Screw

No.	Plate	Name
201295E	17942	Clamp Lifting Arm Connection Lock Spring Screw Stud
201296D	18263	Thread (upper) Cutting Blade Connecting Rod Latch Hinge Bracket Screw
201431C	17942	Thread (upper) End Cutting Lever Link Hinge Screw
201510E	18268	Knife Bar Driving Lever (intermediate) Hinge Screw Stud Nut
201528H	17900	Thread Unwinder Spool Pin Nut, for 225257
201655H	18234	Splash Guard Locking Screw Wing Nut, for 249722
201668E	18266	Feed Wheel Clamping Nut
201696H	17900	Thread Unwinder Thread Guide Lock Nut, for 225258
201713C	17922	Barring Shaft Adjusting Lock Nut
201715C	17922	Needle Bar Frame Driving Gear (intermediate) Clamping Nut
201721C	17922	Stitch Regulating Gear Guide and Lock Nut, for 249913
201732C	18268	Knife Bar Driving Lever Screw Stud Nut
201891	17922	Intermittent Feed Wheel Driving Roller, for 351872
202005	18229	Starting Lever Spring Washer
202260	18220	Arm Shaft Bushing Oil Packing (wick)
202330	18229	Stop Cam Oil Packing (wick), for 249705
202423	18220	Crank Connecting Rod Hinge Screw Oiling Wick
205634	18268	Knife Bar Driving Lever (intermediate) Hinge Screw Stud Washer
206482	18266	Barring Plate Screw Washer
206482	18268	Tension (top cover) Releaser Plate Screw Washer
208495	18265	Thread (upper) Cutting Blade Connecting Rod Latch Lifting Arm Washer
222598	17924	Thread Take-up Lever Link Hinge Pin Oil Packing (wick), for 249915
222616	18229	Starting Lever Spring
225257	17900	Thread Unwinder Spool Rest (for two spools) with 201018C, two each 201528H, 228692 and 228693, for 225258
225258	17900	Thread Unwinder (for two spools) complete, Nos. 201696H, 225257, 225324, 225326, 225388, 259658, two each 150203, 225391 and three wood screws 7/8 in., No. 12
225322	17900	Thread Unwinder Thread Guide Rod Washer, for 225324
225324	17900	Thread Unwinder Thread Guide Rod with 208AL and 225322, for 225258
225326	17900	Thread Unwinder Thread Guide Position Cup, for 225258
225377	17900	Thread Unwinder Spool Wire, for small spools
225388	17900	Thread Unwinder Spool Rest Rod, for 225258
225390	17900	" " Thread Cone Holder
225391	17900	" " Guide, for 225258
228320	18261	Bed Frame Cushion (felt), for 228496

No.	Plate	Name
228330	18261	Clamp Lifting Chain, 46 in. long, with 39575 -and 39576 (for right hand machine), for 228496
228333	18261	Starting Chain Cushion Spring, for 228349
228347	18261	" " (lower), 10-1/2 in. long, for 228349
228348	18261	Starting Chain (upper), 27 in. long, for 228349
228349	18261	Starting Chain complete, Nos. 228333, 228347, 228348, two each 39575 and 39576, for 228496
228476	18272	Screw Driver (Bobbin Case)
228494	18261	Starting Chain Guide Pulley (small), for 228495
228495	18261	Starting Chain Guide Pulley Bracket (small) complete, Nos. 1064D, 228494, 236849 and two wood screws 1-1/4 in., No. 12 R. H. B., for 228496
228496	18261	Driving Equipment complete, for Motor Drive (without use of belt idlers) for use with Table 205295 and Stand No. 46998, Nos. 228330, 228349, 228495, 228500, 250408, two each 14379, 23551, three 236850 and four 228320
228500	18261	Table Extension with two wood screws 2-1/2 in., No. 12, for 228496
228692	17900	Thread Unwinder Spool Pin, for 225257
228693	17900	" " " " Washer, for 225257
232065	17942	Clamp Lifting Arm Connection Lock Spring
232105	18264	Thread (upper) Cutting Blade Shaft Crank Pin, for 249629 and 249758
232131	18266	Feed Driving Gear (intermediate) Swing Bracket Screw Washer
232382	17942	Feed Hand Ratchet Lever Pawl Spring Pin, for 249907
232719	18266	Feed Driving Gear (intermediate) Position Pin
232982	18261	Machine Rest Cushion (leather), for 250408
235356	17922	Needle Bar Frame Driving Gear (intermediate) Pin, for 249671
236849	18261	Clamp Lifting Chain Guide Pulley Bracket, for 236850
236849	18261	Starting Chain Guide Pulley Bracket, for 228495 and 236850
236850	18261	Clamp Lifting Chain Guide Pulley Bracket complete, Nos. 1064D, 39571, 236849 and two wood screws 1-1/4 in., No. 12, R. H. B., for 228496
236850	18261	Starting Chain Guide Pulley Bracket (large) complete, Nos. 1064D, 39571, 236849 and two wood screws 1-1/4 in., No. 12, R. H. B., for 228496
238089	18268	Knife Bar Disengaging Lever Catch Bracket Position Pin, for 249658
241206	18220	Arm Oil Cup

## NUMERICAL LIST OF PARTS

No.	Plate	Name
249534	18265	Thread (lower) Cutting Blade Carrier Lever Spring
249544	18268	Knife Bar Stop
249545	18268	" " Retainer Plate
249546	17925	Shuttle Bobbin Case Position Plate, for 249929
249588	18263	Clamp Lifting Arm
*249601	-----	Arm with 24081
249602	18220	" Shaft
249604	18270	" Top Cover (left)
249605	18270	" " (right)
249606	18268	Barring Lever
249607	18268	" " Spring
249608	18266	" Plate (1st bar)
249610	18268	" Point
249611	17922	" Shaft with 452AL
249612	18270	" " Guard
249613	17922	" Slide
249614	17922	" " Operating Plate (stationary)
249615	17922	" " " Rod
249616	18268	" " " Stud
249619	17922	" " Stop
*249620	-----	Bed
249622	18220	Arm Shaft Flanged Bushing (back)
249623	18267	Clamp Carrier Regulator with 240D, 1960 and 39583
249625	18267	Clamp Carrier Slide Lever with 1960 Nos. 249626 to 249628, for 249629
249626	18264	Clamp Check with 249630, 350297E and two 50138F, for 3/8 to 11/16 in. buttonholes
249627	18264	Clamp Check Clamping Section (left)
249628	18264	" " " (right)
249629	18264	Clamp Check complete, for 3/8 to 11/16 in. buttonholes, Nos. 219F, 232105, 249626 to 249628, 249719, 249720, 249827, 249828, 249840, 350298D and four 337E
249630	18264	Clamp Check Section and Cutting Plate, for 249626 and 249755
249631	18219	Face Plate
249638	18267	Feed Wheel with 249641 and two 220D, for 3/8 to 11/16 in. buttonholes
249640	18267	Feed Wheel Tripping Lever
249641	18267	" " " Point, for 249638 and 249886
*249642	17922	Intermittent Feed Wheel with two 350249E, for 249946
*249644	17922	Intermittent Feed Wheel Driving Bevel Gear Bracket, for 249944
249645	18220	Intermittent Feed Wheel Driving Bevel Pinion with two 453AL
*249646	17922	Intermittent Feed Wheel Shaft, for 249946
249656	18268	Knife Bar Disengaging Lever with 1242E
249657	18268	" " " Catch with 1963
249658	18268	Knife Bar Disengaging Lever Catch Bracket with 1242E and 238089

## NUMERICAL LIST OF PARTS

No.	Plate	Name
249659	18268	Knife Bar Disengaging Lever Catch Spring
249660	18268	" " " " Spring
249661	18268	" " Driving Lever
249662	18268	" " " " (intermediate)
249666	17924	Needle Bar Frame Connection
249667	17922	" " " Driving Gear
249668	17924	" " " Regulator Hinge Stud
249669	17922	" " " Driving Gear (intermediate) Bracket with 1149AL
249670	17922	Needle Bar Frame Driving Gear (intermediate) Stud
249671	17922	Needle Bar Frame Driving Gear (intermediate) (large) with 235356
249672	17922	Needle Bar Frame Driving Gear (intermediate) (small)
249673	17924	Needle Bar Frame Regulator
*249674	17922	" Vibrating Gear with two 350249E, for 249946
249675	17922	Stitch Regulating Gear, 18 teeth
249677	17922	" " " 20 teeth
249679	17922	" " " 24 teeth
249682	17922	" " " 30 teeth
249685	18270	Tension (top cover) Releaser
249686	18270	" " " " Holder with 201F
249687	18268	Tension (top cover) Releaser Rod
249688	18270	" " " Releasing Lever Connection
249689	18268	Tension (top cover) Releaser (last side of buttonhole)
249690	18268	Tension (top cover) Releaser Plate
249691	18265	Thread (upper) Cutting Blade Connecting Rod Latch Lifting Arm
249692	18269	Thread (upper) Guide
249693	18271	Bobbin Winder Thread Leader, for 27921
249698	18272	Gauge, for setting length of buttonhole, with 200137H and 249789
249702	18220	Pulley (tight) with 454AL
249703	18229	Starting Lever
249704	18229	" " Bracket
249705	18229	Stop Cam with two 202330
249706	18229	" " Gear
249707	18229	" " " Guard
249708	18229	" " " Stud
249709	18229	" " Interlocking Rod Guide with 1070C, for 249950
249713	18229	Stop Cam Spring Stop Screw Block with 457AL
		Nos. 249714 to 249716, for 249939
249714	18271	Bobbin Winder Base with 27916 and two 28084
249715	18271	" " Frame
249716	18271	" " " Spring
249719	18264	Thread (upper) Clamping Blade, for 249629 and 249758
249720	18264	Thread (upper) Cutting Blade, for 249629 and 249758

## NUMERICAL LIST OF PARTS

No.	Plate	Name
249722	18234	Splash Guard with 201655H, for 249723
249723	18234	Bed Frame and Splash Guard complete, Nos. 249722, 249993, two 39912 and eight 200574E
249725	17922	Stitch Regulating Gear, 36 teeth
249727	17922	" " " 40 teeth
*249735	-----	Clamp Carrier Stay Plate, for 249751
249737	18268	Knife Bar Spring
249739	17922	Stitch Regulating Gear Pin
249740	17922	Barring Slide Operating Plate (adjustable)
249741	18229	Stop Cam Interlocking Rod
249742	18229	" " Spring
249744	17922	Stitch Regulating Gear, 45 teeth
249746	18272	Screw Driver, for Needle Bar Connecting Stud Set Screw
249749	18263	Clamp Check Holder Adjusting Screw Friction Plate
249751	17916	Clamp Carrier with 249735 and two 934X
249753	17885	" " Plate
249755	18264	" Check with 249630, 350297E and two 50138F, for 3/8 to 1 in. buttonholes, for 249758
249756	18264	Clamp Check Holder, for use with 249758
249758	18264	Clamp Check complete, for 3/8 to 1 in. buttonholes, Nos. 219F, 232105, 249719, 249720, 249755, 249827, 249828, 249840 and 350298D
249759	18265	Clamp Lifting Arm Connection (lower section), for 249866
249760	18265	Clamp Lifting Arm Connection Lock Trip Lever with 690D
249762	17916	Needle Plate
249779	18263	Thread (upper) End Cutting Block with 175E (adjustable)
249780	17942	Thread (upper) End Cutting Lever
249781	17942	" " " " " Bracket
249782	18266	" " " " " Operating Cam (adjustable) with 249784
249783	18266	Thread (upper) End Cutting Lever Operating Cam Position Collar with 450AL and 453AL
249784	18266	Thread (upper) End Cutting Lever Operating Cam Position Pin, for 249782
249785	18266	Thread (upper) End Cutting Lever Operating Cam Spring
249786	17942	Thread (upper) End Cutting Lever Operating Lever
249789	18272	Gauge Chain and Ring, for 249698 and 249889
249800	18268	Tension (top cover) Releaser Rod Spring
249801	18266	Barring Plate (2nd bar)
249805	17942	Clamp Lifting Arm Connection Lock Stop Plate
249820	18272	Wrench
249826	18263	Thread (upper) Cutting Blade Connecting Rod
249827	18264	" " " " Shaft, for 249629 and 249758

## NUMERICAL LIST OF PARTS

No.	Plate	Name
249828	18264	Thread (upper) Cutting Blade Shaft Crank with 906C, for 249629 and 249758
249831	18265	Thread (lower) Cutting Lever
249840	18264	Clamp Check Thread Clamping Pressure Spring, for 249629 and 249758
249843	18265	Tension (side of Arm) Releaser Lever Spring
249844	18266	Feed Driving Gear (intermediate) Pinion Shaft Eccentric Bushing Position Plate
249845	17916	Thread (lower) Pull-off Finger
249846	18266	Feed Driving Gear with two 448AL
249849	18266	" " " (intermediate) Pinion Shaft Eccentric Bushing
249852	18268	Knife Holder
249853	17942	Belt Shifter with 350287C
249854	17942	" " Operating Collar with 350329C
249855	18229	" " " Rod
249856	17942	" " Shaft
249857	17942	" " " Bracket
249858	17942	" " " " Extension with 51047E
249860	17942	Belt Shifter Shaft Bracket Stop
249861	17942	" " " Guide Collar with 237X
249862	17942	" " " Spring
249863	18266	" " Trip Point, for 249869
249864	17942	" " " Stud
249865	18265	Clamp Lifting Arm Connection (upper section), for 249866
249866	18265	Clamp Lifting Arm Connection complete, Nos. 704C, 23390, 249759 and 249865
249867	17942	Clamp Lifting Arm Connection Lock
249868	18267	Feed Wheel Tripping Lever Point
249869	18266	Knife Bar Disengaging Lever Catch Tripping Point Collar with 175E, 756E, 23466, 249863 and two 448AL
249871	18265	Thread (lower) Cutting Lever Extension
249873	18265	" (upper) Cutting Lock (lower section), for 249875
249874	18265	Thread (upper) Cutting Lock (upper section), for 249875
249875	18265	Thread (upper) Cutting Lock complete, Nos. 249873, 249874 and two 203E
249878	18265	Thread (upper) Cutting Blade Connecting Rod Latch Lifting Arm Stud
249879	18263	Thread (upper) Cutting Blade Connecting Rod Spring Bracket
249880	18265	Tension (side of Arm) Releaser Lever Shaft
249882	17942	Thread (upper) End Cutting Lever Link
249883	18219	Bed Oil Guard Oil Tube (brass), for 249894
249886	18267	Feed Wheel with 249641 and two 220D, for 1/2 to 1 in. buttonholes
249889	18272	Gauge, for setting length of buttonhole, with 200137H and 249789, for use with Feed Wheel 249886
		Nos. 249890 to 249892, for 249893
*249890	-----	Pulley (loose) with 200584D
249891	18220	" " Ball Bearing

## NUMERICAL LIST OF PARTS

No.	Plate	Name
249892	18220	Pulley (loose) Bushing
249893	18220	Pulley (loose, ball bearing) complete, Nos. 249890 to 249892
249894	18219	Bed Oil Guard with 249883
249895	18219	Clamp Carrier Regulator Slide
		Nos. 249905 to 249907, for 249914
249905	17942	Feed Hand Ratchet Lever
249906	17942	" " " " Extension Handle
249907	17942	" " " " Pawl with 232382
249912	17922	Stitch Regulating Gear Spring, for 249913
249913	-----	Feed Hand Ratchet Device complete, Nos. 95C, 158E, 646F, 40142, 40144, 40145, 50416C, 201721C, 249912, 249914, 249922, 249923, 250444, 350337C and two 99C
249914	17942	Feed Hand Ratchet Lever complete, Nos. 90D, 160H, 1449H, 249905 to 249907 and 250058, for 249913
249915	17924	Thread Take-up Lever Link Hinge Pin with 222598
249916	18265	Thread (lower) Cutting Lever Extension Spring
249918	17925	Shuttle, 1-11/16 in. diam., Nos. 23500, 23503 and 249921
249919	17925	Shuttle Bobbin Case Hinge, Nos. 2974, 15140 and 249920, for 249921
249920	17925	Shuttle Bobbin Case Latch Lever, for 249919
249921	17925	Shuttle Bobbin Case complete, Nos. 591F, 592E, 2523, 2975, 15098, 23501 and 249919, for 249918
249922	18267	Stop Lever, for 249913
249923	17942	Stitch Regulating Gear Disengaging Lever, for 249913
249924	17925	Shuttle Race, for 249929
		Nos. 249926 to 249928, for 249929
249926	17925	Shuttle Race Plate
249927	17925	" " Position Pin
249928	17925	" " Oil Packing (felt)
249929	17925	Shuttle Race complete, Nos. 907E, 2533, 7326, 39969, 249546, 249924, 249926, two each 399D, 662D, 2532, 249927, 249928 and three 203E
249930	18265	Thread (upper) Cutting Blade Connecting Rod Latch Lifting Lever
249931	18220	Oscillating Shaft Bushing (front) Oil Tube (brass)
249932	18220	Oscillating Shaft Bushing (front) Oil Tube Support Plate
249933	18220	Crank Connecting Rod Hinge Screw Oil Tube (brass)
249934	18270	Intermittent Feed Wheel Driving Roller Oiling Felt
249935	18270	Intermittent Feed Wheel Driving Roller Oiling Felt Holder
*249936	17922	Intermittent Feed Wheel Driving Bevel Gear with two 351872, for 249944
249937	17922	Intermittent Feed Wheel Driving Roller Stud, for 351872

## NUMERICAL LIST OF PARTS

No.	Plate	Name
249938	18271	Bobbin Winder Stop Latch, for 249939
249939	18271	Bobbin Winder complete, Nos. 35D, 203E, 1620J, 7071, 10249, 27538, 27918, 50356D, 249714 to 249716 and 249938
249943	18229	Stop Cam Spring Cover
249944	17922	Intermittent Feed Wheel Driving Bevel Gear Bracket 249644 with 249936 and 350230C
249945	18272	Wrench
249946	17922	Intermittent Feed Wheel Shaft 249646 with 249642, 249674 and two 12546
249947	17942	Sewing Safety Lock Pitman (front section), for 249949
249948	17942	Sewing Safety Lock Pitman (rear section), for 249949
249949	17942	Sewing Safety Lock Pitman complete, Nos. 249947, 249948, two each 914F and 39541
249950	-----	Stop Cam Interlocking Rod Guide 249709 with 1959
249965	18266	Feed Driving Gear (intermediate) with two 457E
249967	18266	Feed Driving Gear (intermediate) (small), for stud
249968	18266	Feed Driving Gear (intermediate), for swing bracket
249969	18266	Feed Driving Gear (intermediate) Bracket
249970	18266	" " " " Pinion Shaft
249971	18266	Feed Driving Gear (intermediate) Stud
249972	18266	" " " " Swing Bracket
249989	18265	Thread (upper) Cutting Blade Connecting Rod Latch Lifting Arm Spring
249990	18265	Thread (upper) Cutting Blade Connecting Rod Latch Lifting Lever Adjusting Plate
249991	18234	Idler Pulley Bracket with 200363AL, 201007C and 350453C, for 249992
249992	18234	Idler Pulley Bracket complete, Nos. 150496 and 249991
249993	18234	Bed Frame with two each 16555, 19398, four each 84E, 24106, six 14010 and four wood screws 1-1/4 in., No. 12, for 249723
249995	18266	Feed Driving Gear (intermediate) Pinion Shaft Collar with two 350462E
250058	17942	Feed Hand Ratchet Lever Pawl Spring, for 249914
250397	17922	Needle Bar Frame Driving Gear (intermediate) Bracket Position Pin
250408	18261	Machine Rest (high) with 232982 and two wood screws 1 in., No. 12, for 228496
250444	18267	Feed Wheel Tripping Lever Screw Stud Washer, for 249913
250451	18220	Oscillating Shaft Bushing (front) Oil Tube Plate
250491	18265	Thread (upper) Cutting Blade Connecting Rod Latch Lifting Lever Adjusting Plate Screw Washer



## NUMERICAL LIST OF PARTS

No.	Plate	Name
255513	18272	Tweezers
255540	18272	Wrench
255541	18272	Wrench
259477	18272	Screw Driver, 5 in. long
259658	17900	Thread Unwinder Spool Stand with 200383C, for 225258
262014	17942	Sewing Safety Lock
262031	18268	Starting Lever Safety
262032	17942	Thread (upper) End Cutting Lever Spring
262033	18266	Stitch Regulating Gear Guard
262034	18271	Bobbin Winder Tension Bracket with 452AL, for 27921
350060C	18269	Tension (side of Arm) Screw Stud Set Screw, for 39950
350076C	18267	Clamp Carrier Regulator Stud (to regulate length of buttonhole)
350229E	18266	Barring Plate Screw
350229E	18268	Tension (top cover) Releaser Plate Screw
350230C	17922	Intermittent Feed Wheel Driving Bevel Gear Cap Screw, for 249944
350234D	17916	Needle Plate Screw
350235D	17942	Sewing Safety Lock Pitman Hinge Screw (back)
350237C	18267	Feed Wheel Tripping Lever Hinge Screw
350243C	18268	Knife Bar Driving Lever (intermediate) Hinge Screw Stud
350246C	18265	Thread (lower) Cutting Lever Extension Hinge Screw
350249E	17922	Intermittent Feed Wheel Position Screw, for 249642
350249E	17922	Needle Vibrating Gear Position Screw, for 249674
350251C	17924	Needle Bar Frame Connection Hinge Screw
350253C	17922	Barring Slide Operating Plate Adjusting Screw
350254F	17924	Needle Bar Frame Connection Cap Screw
350265C	18263	Thread (upper) Cutting Blade Connecting Rod Hinge Screw
350281C	18268	Knife Bar Driving Lever Hinge Screw
350287C	18229	Belt Shifter Operating Rod Set Screw
350287C	17942	" " Set Screw, for 249853
350287C	18265	Thread (upper) Cutting Blade Connecting Rod Latch Lifting Lever Screw
350288C	17942	Belt Shifter Shaft Bracket Hinge Screw
350297E	18264	Clamp Check Section and Cutting Plate Support Stud, for 249626 and 249755
350298D	18264	Clamp Check Thread Clamping Pressure Spring Screw, for 249629 and 249758
350310D	18266	Feed Driving Gear (intermediate) Swing Bracket Screw
350329C	17942	Belt Shifter Operating Collar Set Screw, for 249854
350337C	17942	Stitch Regulating Gear Disengaging Lever Hinge Screw, for 249913
350338E	18265	Belt Shifter Shaft Bracket Spring Screw Stud (lower)

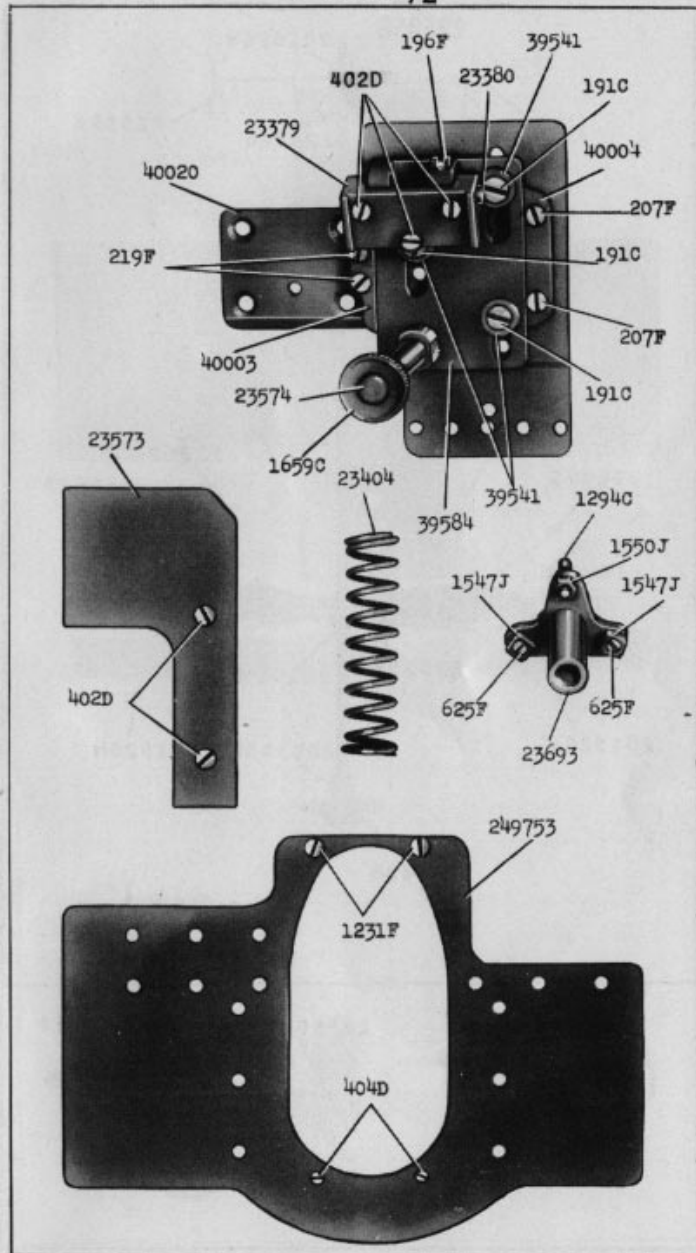
## NUMERICAL LIST OF PARTS

No.	Plate	Name
350339E	17942	Belt Shifter Shaft Bracket Spring Screw Stud (upper)
350453C	18234	Idler Pulley Bracket Position Screw, for 249991
350462E	18266	Feed Driving Gear (intermediate) Pinion Shaft Collar Set Screw, for 249995
350476C	18268	Barring Lever Hinge Screw
350500C	18266	Feed Driving Gear (intermediate) Bracket Position Lever Clamping Screw
351872	17922	Intermittent Feed Wheel Driving Roller 201891 with 229D, 23389 and 249937, for 249936

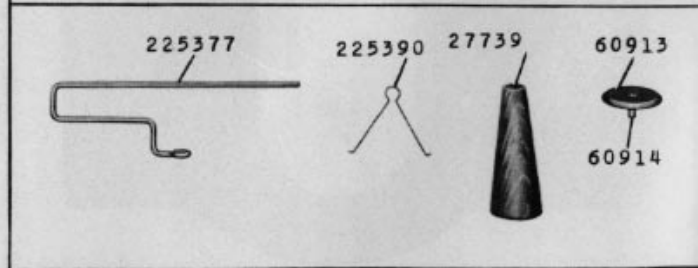
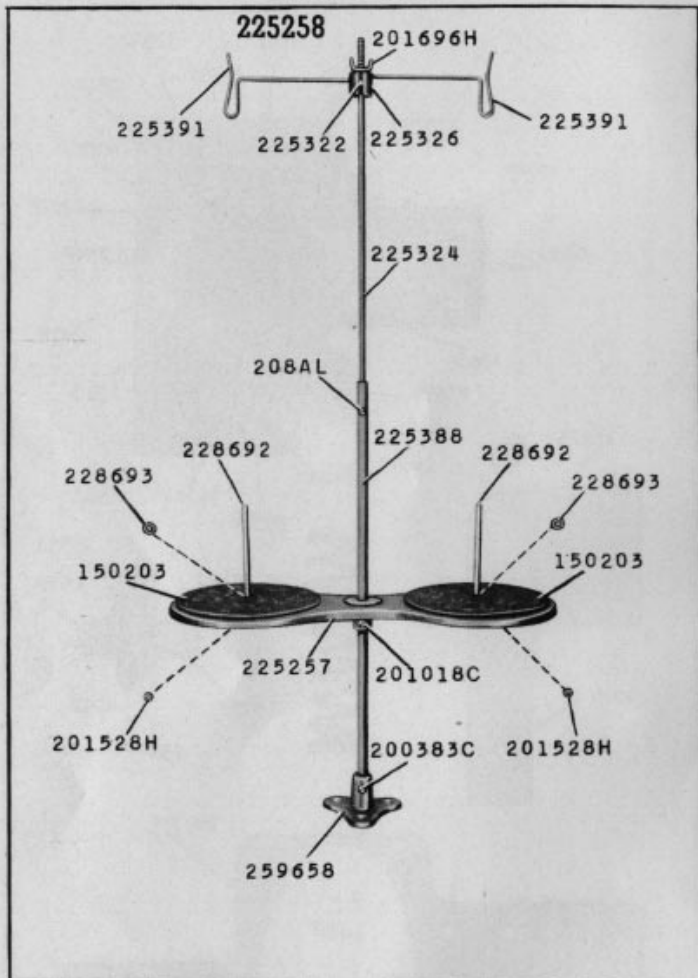
SINGER Needles should be used  
in SINGER Machines.  
These Needles and their Containers  
are marked with the  
Company's Trade Mark "SIMANCO.\*\*" 1

Needles in Containers marked  
"FOR SINGER MACHINES"  
are NOT **SINGER** made needles. 2

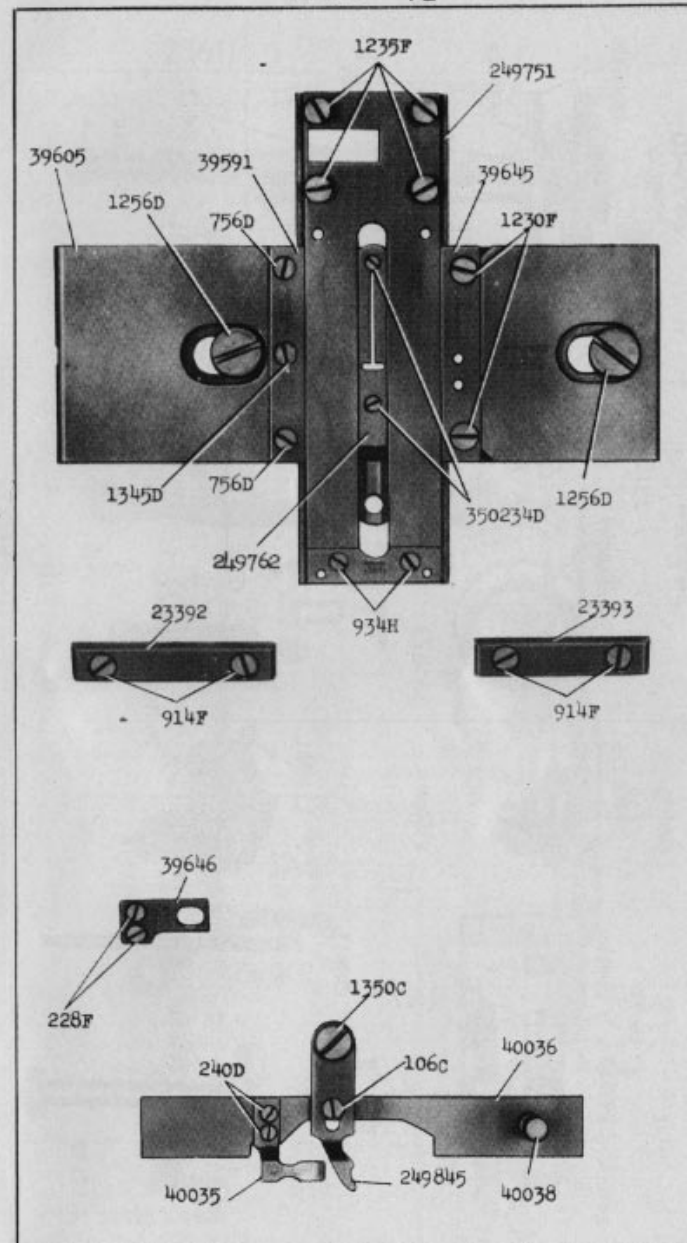
17885 - 1/2

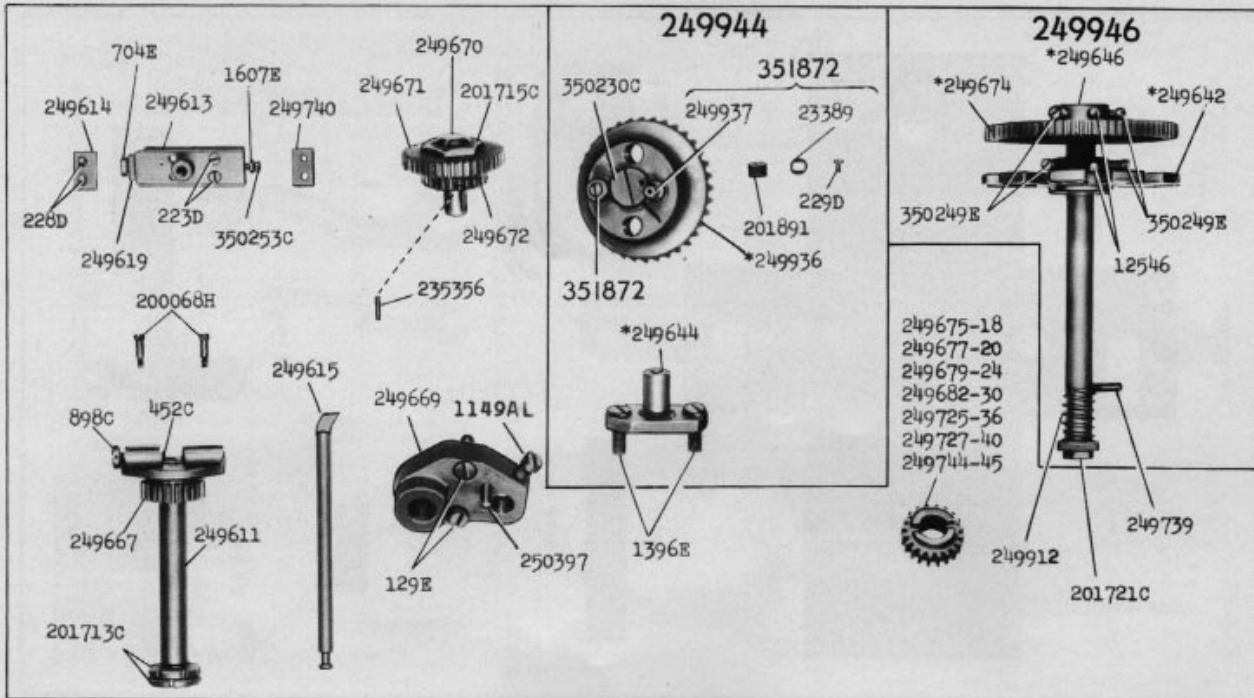


17900 - 1/6



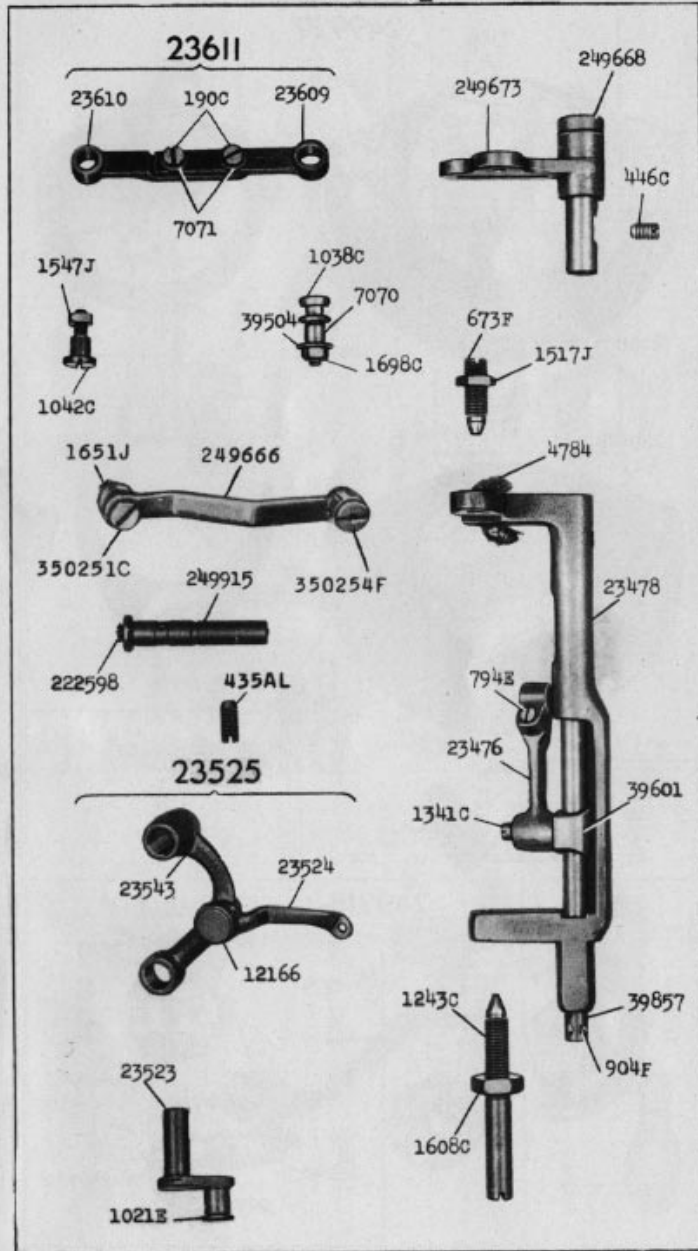
17916 - 1/2





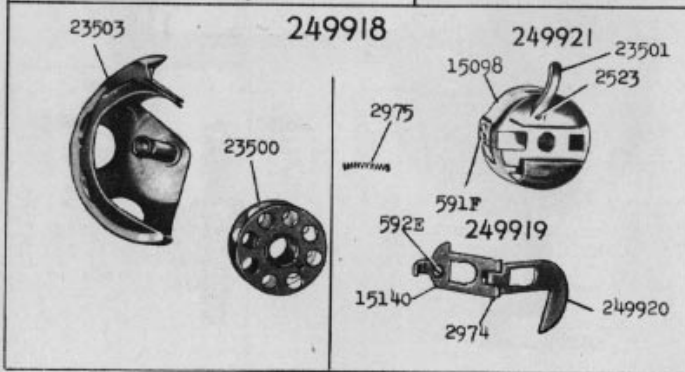
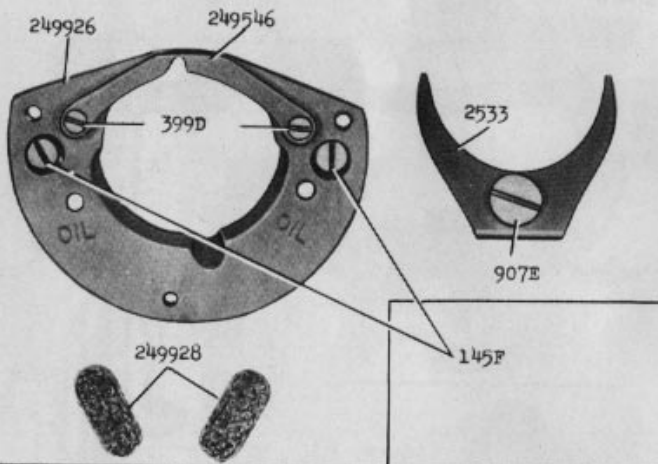
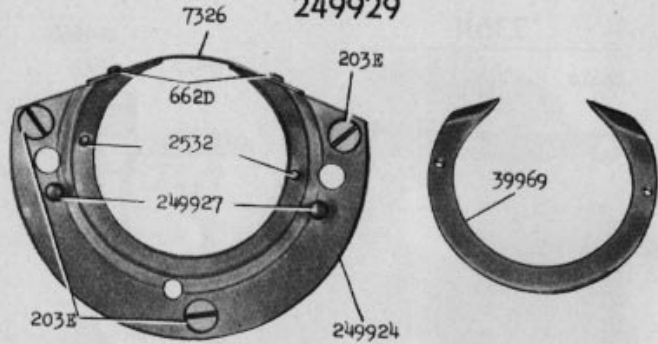
17922 - 3/8

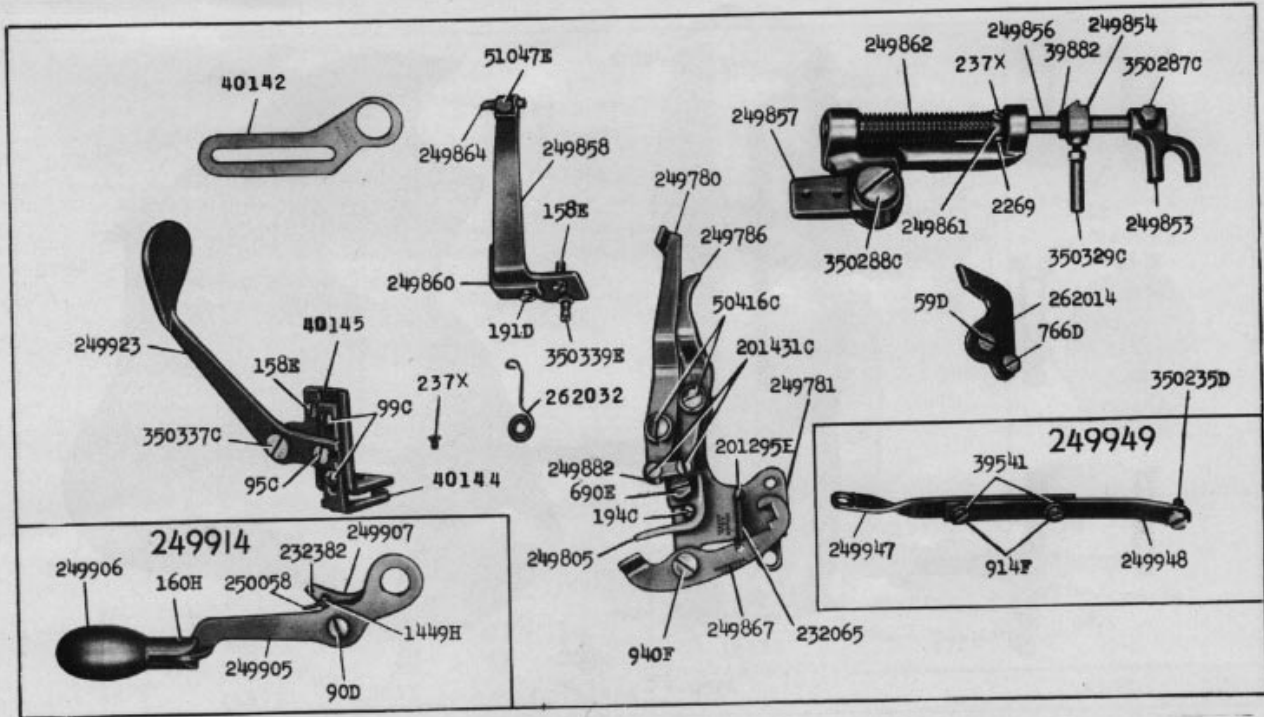
17924 - 1/2



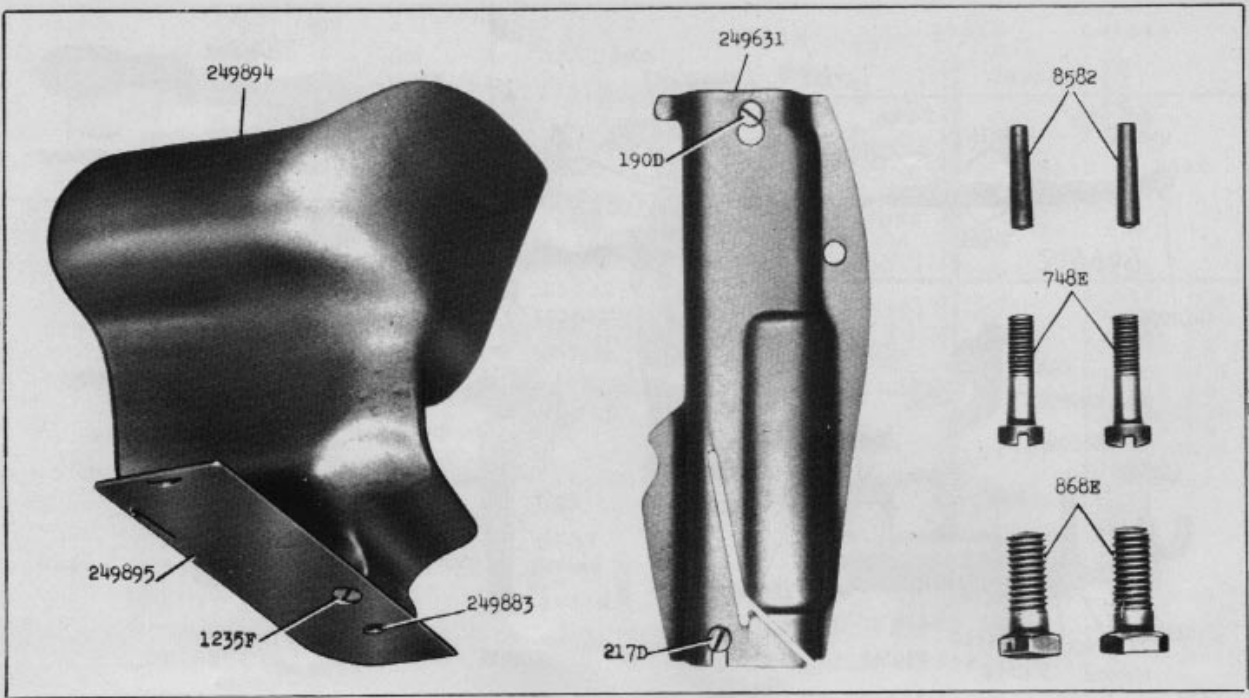
17925 - 2/3

249929



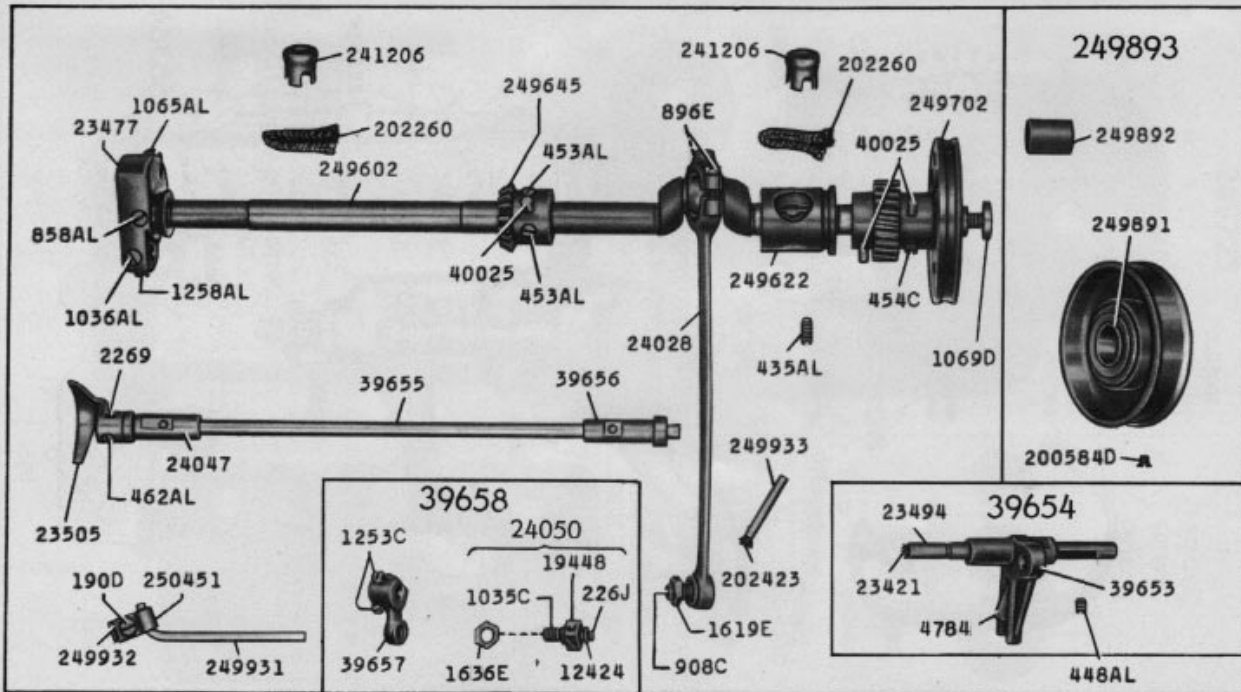


17942 - 1/3



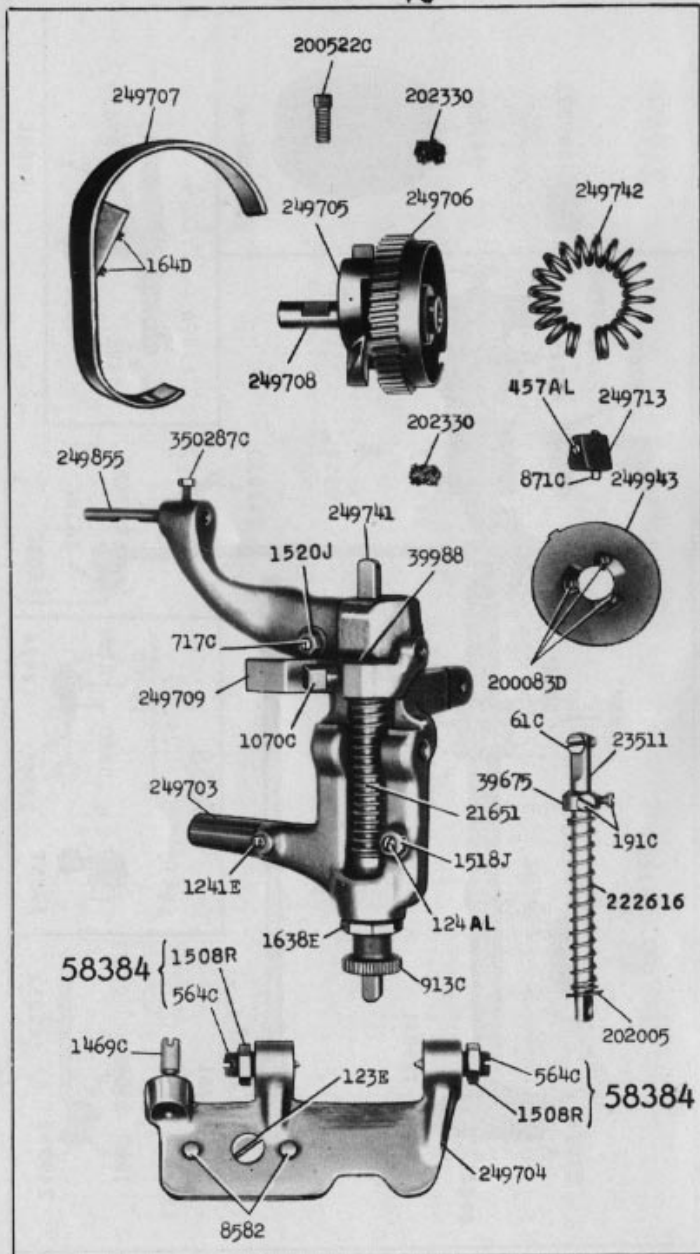
18219 - 1/2



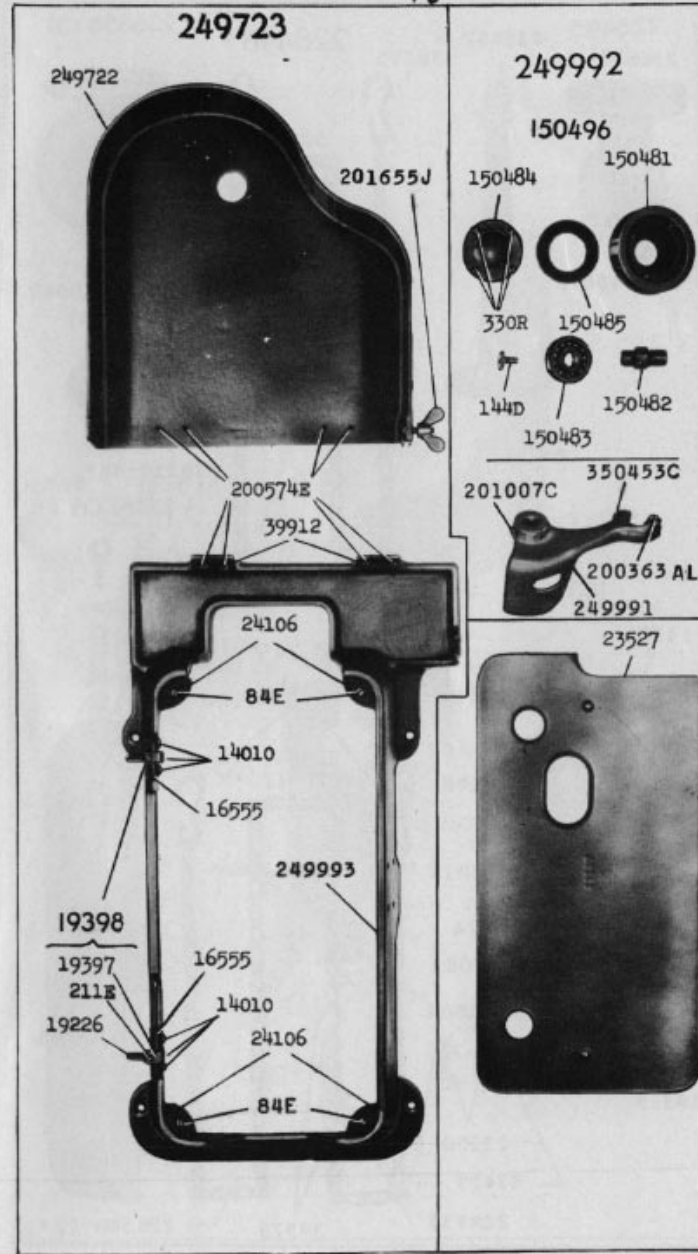


18220 - 1/3

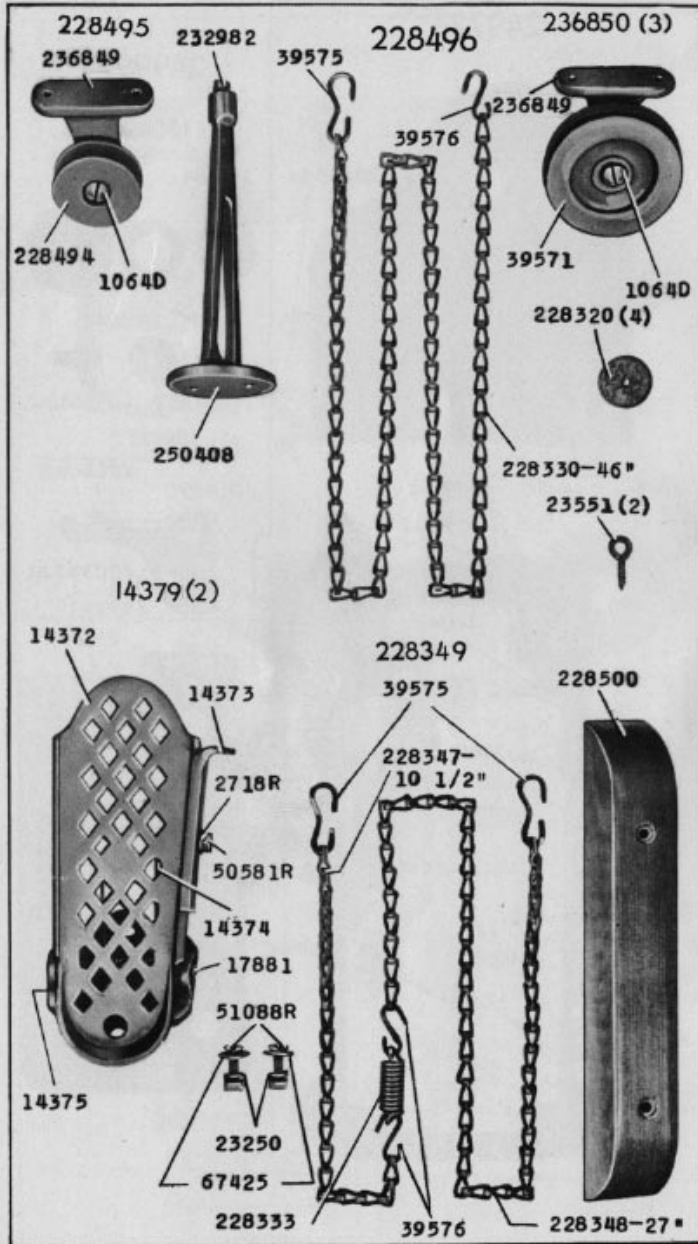
18229 - 1/3



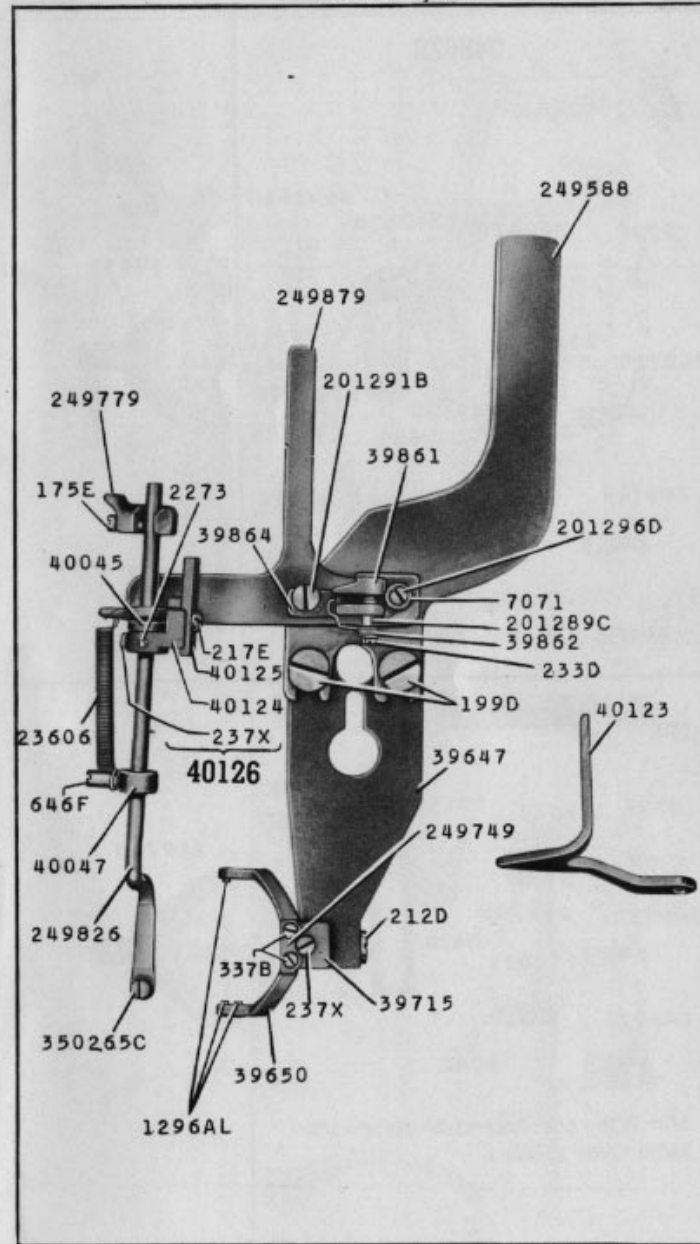
18234 - 1/6



18261 - 1/4

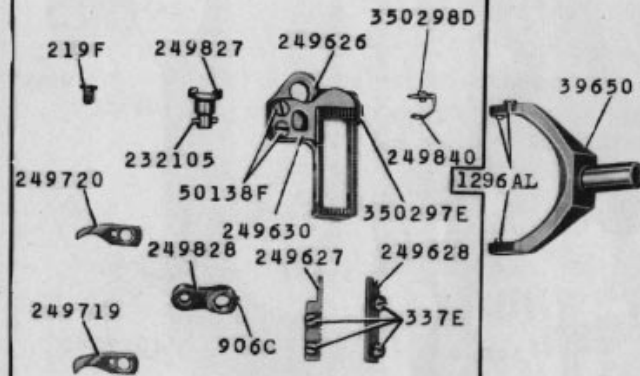


18263 - 1/2



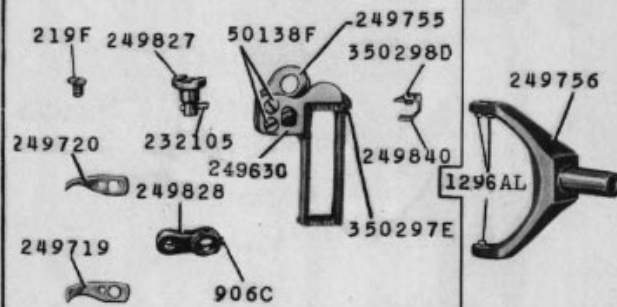
18264 - 1/2

249629

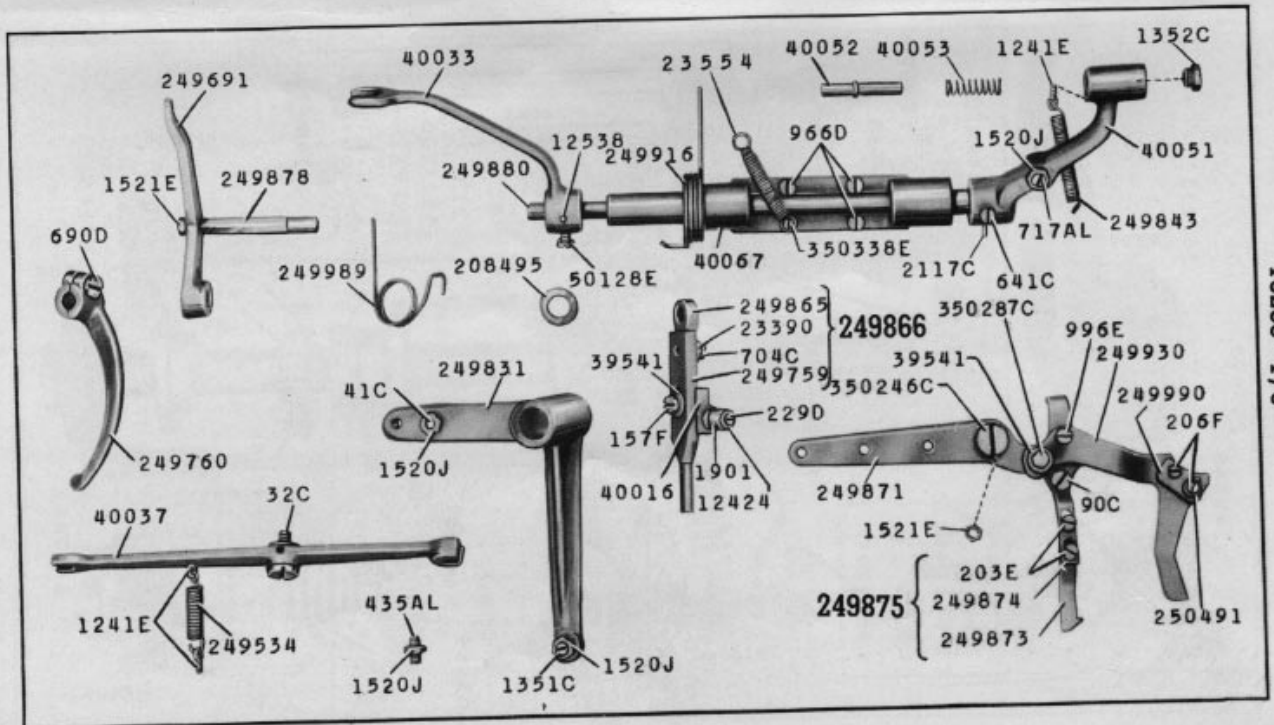


3/8-7/16-1/2-9/16-5/8-11/16

249758

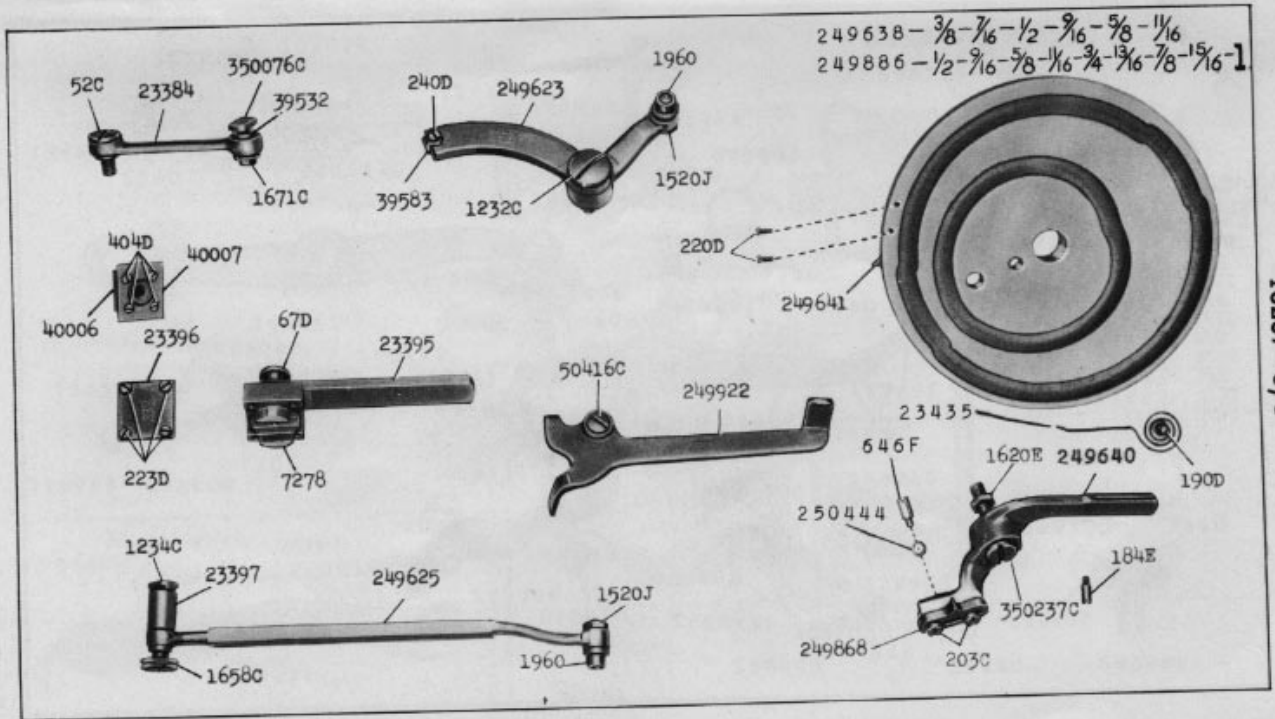


3/8-7/16-1/2-9/16-5/8-11/16-3/4-  
13/16-7/8-15/16-1

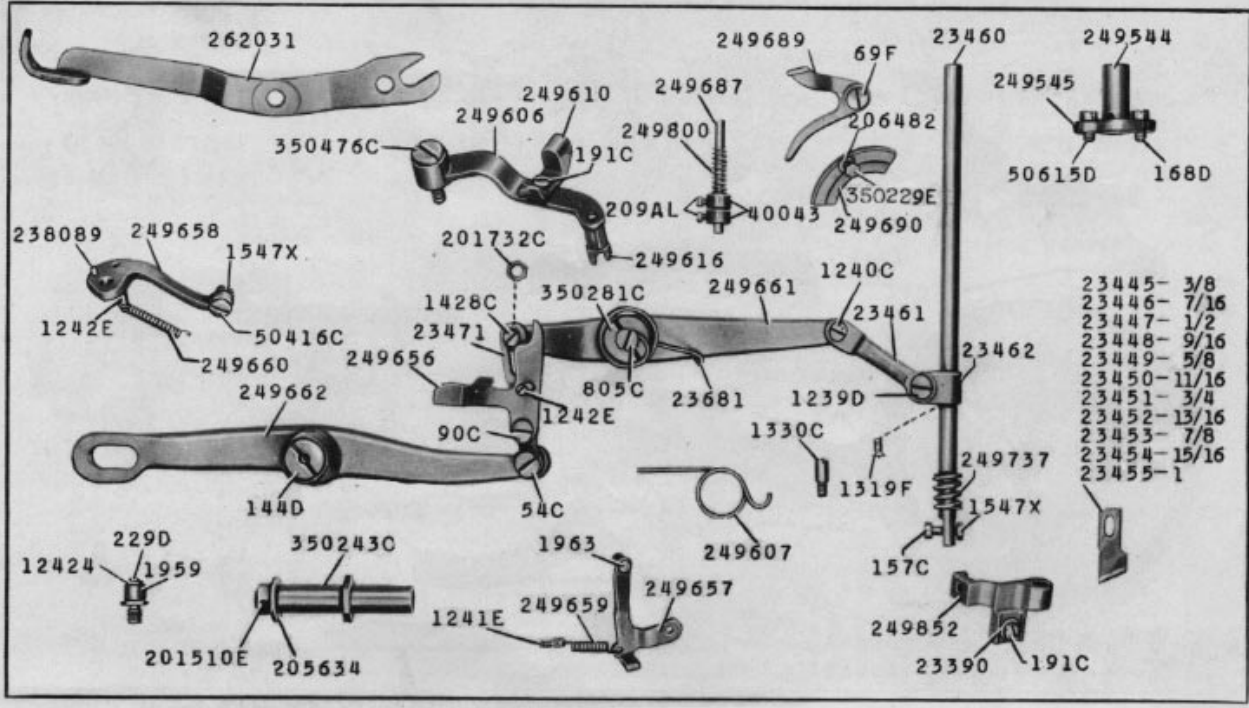


18265-1/3

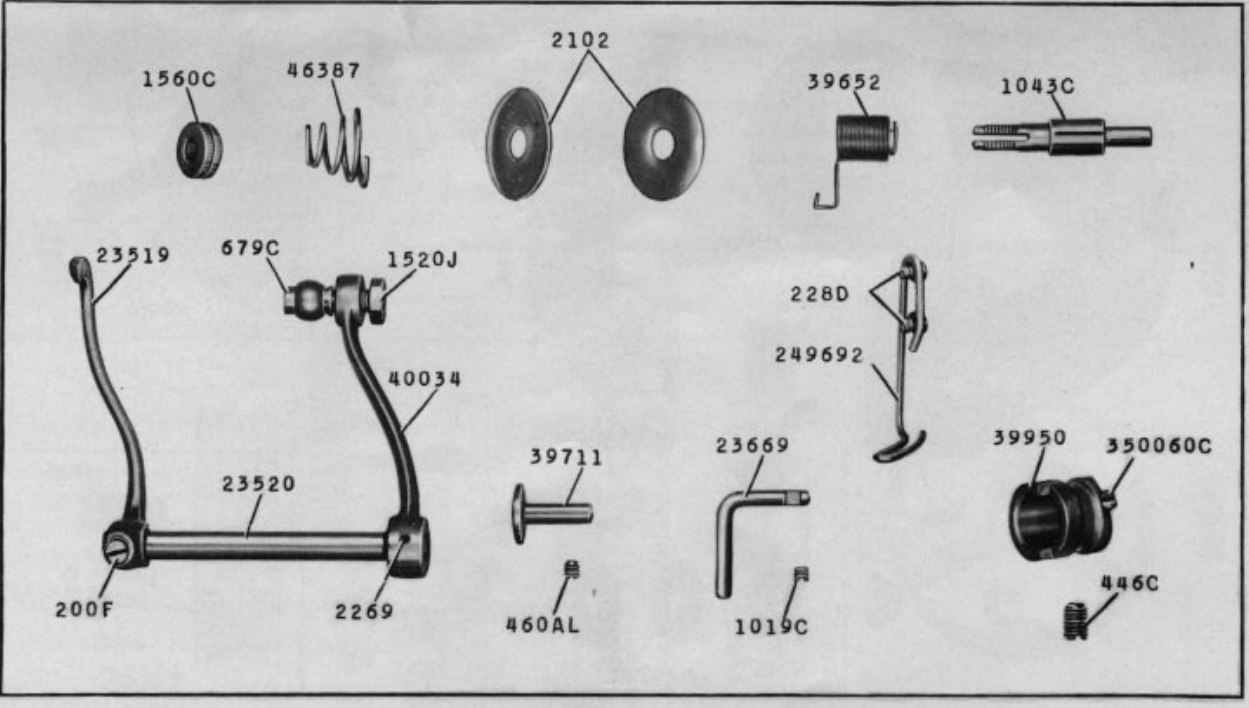




18267 - 3/8

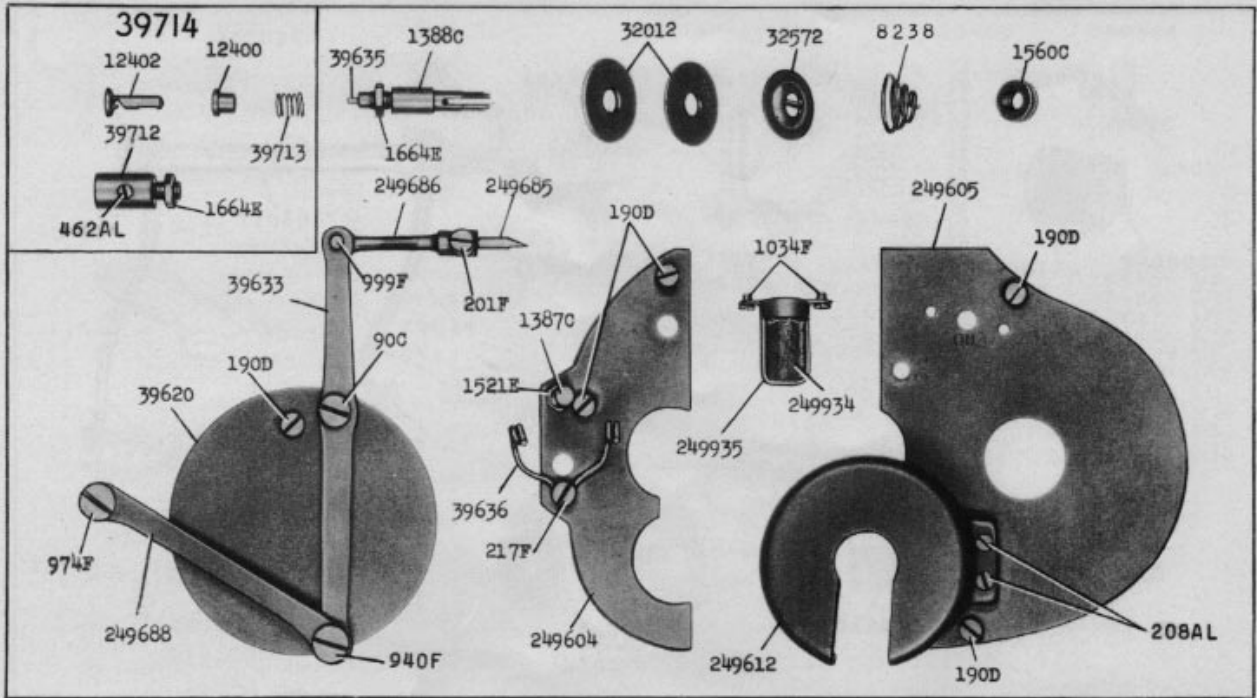


18268 - 1/3

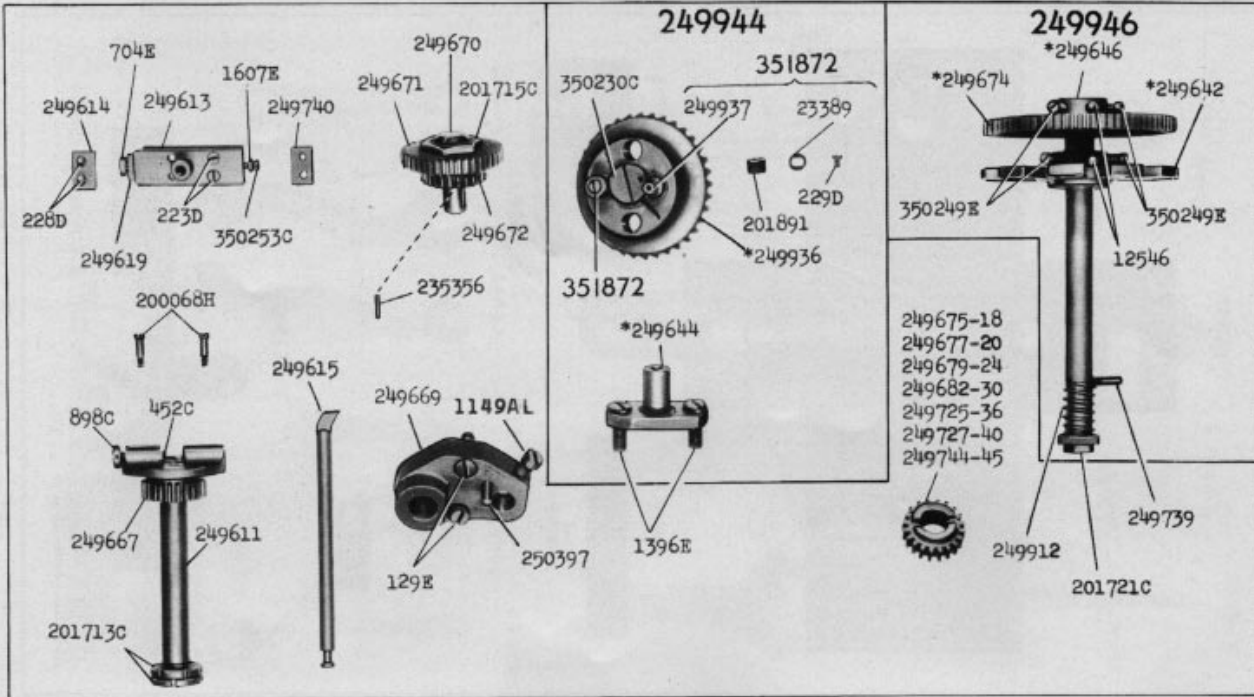


18269 - 2/3





18270 - 1/2



17922 - 3/8