

Singer 71-30

Singer 71-31

Form 3131w
(356)
Printed in U. S. A.

LIST OF PARTS



SINGER** MACHINES

Nos. 71-30 and 71-31

THE SINGER MANUFACTURING COMPANY

**A Trade Mark of THE SINGER MANUFACTURING COMPANY

INSTRUCTIONS FOR OILING

To ensure easy running and prevent unnecessary wear of the parts which are in movable contact, the machine requires oiling, and when in continuous use, "TYPE B" or "TYPE D" OIL, sold by Singer Sewing Machine Company, should be applied at least twice each day to all oil holes marked "OIL", as instructed in Form 7804.

"TYPE D" OIL should be used when an oil is desired which will produce a minimum of stain on fabrics, even after a long period of storage.

Occasionally remove the screw from the loose pulley and apply a small quantity of BALL BEARING LUBRICANT to the ball bearing of the pulley through the tapped hole, using BALL BEARING LUBRICANT sold by Singer Sewing Machine Company, then replace the screw in the loose pulley.

INDEX

	Page
Accessories.....	22
Bobbin Winder.....	22
Clamp Parts.....	25
Driving Equipment.....	23
Driving Equipment for Machines when set in pairs.....	26
Guides.....	28
Iron Base.....	24
Knives.....	28
Machine No. 71-30.....	5
Machine No. 71-31.....	21
Miscellaneous Parts.....	29
Numerical List of Parts.....	31
Thread Unwinder.....	25

INSTRUCTIONS FOR ORDERING

In ordering from this list, use **ONLY** the **PART** number in the **FIRST** column.

The number stamped on a Sewing Machine Part is the number of the Single Part only, except when the part includes Set Screws, Clamping Screws, Studs and Rollers Spun on, Small Wires riveted, or Parts soldered together, etc., which it is necessary to furnish in combination.

Every combination of parts sent out has its specific number which, although not stamped on Parts (except in above case), must be used when ordering the combination.

Each number always indicates the **SAME PART** in whatever list it appears, or for whatever Machine.

The letters after some of the numbers indicate the style of finish only, as follows:

- A—Hardened, Polished, Nickel Plated and Buffed.
- AL—Heat Treated for Toughness.
- ALX—Heat Treated for Toughness and Black Oxide.
- B—Polished, Nickel Plated and Buffed.
- C—Hardened only.
- D—Polished only.
- E—Soft, Not polished.
- F—Hardened and Polished.
- J—Nickel Plated only.
- R—Merlized.
- X—Black Oxide, for Iron and Steel.
- XC—Hardened and Black Oxide, for Iron and Steel.
- Y—Black Nickel Plated only.
- Z—Chromium Plated.

These letters **MUST BE USED** when they appear in the list and **AFTER** the number, as in the list.

In this series

1 to 1500, 200001 to 201500 and 350001 to 351500 are Screw Numbers.

1501 to 1800, 201501 to 201800 and 351501 to 351800 are Nut Numbers.

1801 to 2000, 201801 to 202000 and 351801 to 352000 are Roller Numbers.

2001 to 50000 and 202001 to 350000 are Numbers of Machine Parts.

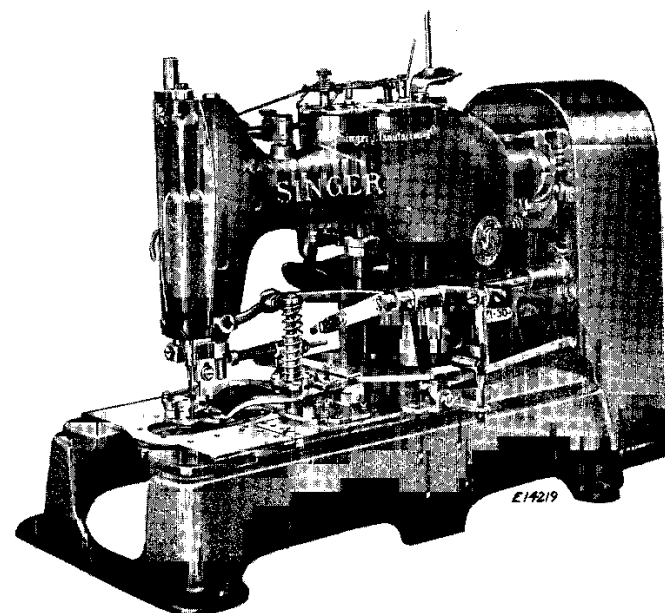
The figures in the second column refer only to the plate in which the illustration of the part is shown and are **NOT TO BE USED** in ordering.

Two or more numbers over a cut indicate that the difference between such parts is not visible in an illustration.

Parts marked with an asterisk (*) are furnished only when repairs are made at the factory.

LIST OF PARTS COMPLETE

FOR



MACHINE No. 71-30

MAKES PURL STITCH BUTTONHOLES WITH SQUARE BARRED ENDS. KNIVES FROM $\frac{3}{8}$ TO $\frac{3}{4}$ INCH LONG. CUTS BOTH THREADS AND THE HOLE AUTOMATICALLY AFTER STITCHING.

LOW SPEED MACHINE. POSITIVE FEED CLUTCH.

No.	Plate	Name
*39602	-----	Arm with 24081
8582	17881	" Dowel Pin (2)
748E	17881	" Screw (back) (2)
868E	17881	" " (front) (2)
23352	17890	" Shaft
*24081	-----	" " Bushing (front)
12357	17890	" " Flanged Bushing (back)

No.	Plate	Name
435AL	17890	Arm Shaft Flanged Bushing (back)
		Set Screw
4784	17890	Arm Shaft Oil Pad (2)
1069D	17890	" " Screw
39620	17965	" Side Cover
190D	17965	" " " Screw
39621	17965	" Top Cover
808AL	17965	" " " Screw (3)
23562	17882	Barring Cam with two 858AL
858AL	17882	" " Set Screw
39844	17965	" Indicator
1228C	17965	" " Stud
1589C	17965	" " " Thumb Nut
23563	17963	" Lever
23564	17963	" " Catch with 1226C
1276C	17963	" " " Hinge Screw
1226C	17963	" " " Position Stud
23565	17963	" " " Spring
805C	17963	" " " " Screw
213949	17963	" " " " " Washer
39616	17963	" " " Stud
39617	17963	" " " Rivet (long)
39618	17963	" " " " (short)
1227C	17963	" " Hinge Screw
1655E	17963	" " " Nut
23566	17963	" " Spring
124C	17963	" " Stop Screw
1518J	17963	" " " Nut
23361	17963	" Ratchet Pawl
1248C	17963	" " " Hinge Screw
23362	17963	" " " Spring
93X	17963	" " " " Screw
15072	17963	" " " " Stop Pin
23544	17963	" " Retaining Pawl (hinge screw end)
23545	17963	Barring Ratchet Retaining Pawl (wheel end)
203C	17963	Barring Ratchet Retaining Pawl Adjusting Screw
23546	17963	Barring Ratchet Retaining Pawl (adjustable) complete, Nos. 203C, 23544 and 23545
999F	17963	Barring Ratchet Retaining Pawl Hinge Screw
23364	17963	Barring Ratchet Retaining Pawl Spring
240D	17963	" " " " " Screw
23664	17963	Barring Ratchet Wheel
23665	17963	" " " Spring
1286C	17963	" " " " Screw
23666	17963	" " " " Washer
23367	17963	" " " Tripping Point
193F	17963	" " " " " Screw
7071	17963	Barring Ratchet Wheel Tripping Point Screw Washer
23370	17965	Barring Tripping Lever
856C	17965	" " " Hinge Screw

No.	Plate	Name
*39603	-----	Bed
39538	17881	" Oil Guard
1235F	17881	" " " Screw (2)
389F	17971	Bobbin Winder Base Plate Screw (2)
135D	17971	" " Tension Bracket Screw
23567	17886	Clamp Arm
625F	17885	" " Adjusting Screw (2)
1547X	17885	" " " " Nut (2)
39584	17885	" " Bracket with 196F
40003	17885	" " " Guide (left)
219F	17885	" " " " " Screw (2)
40004	17885	" " " " " (right)
207F	17885	" " " " " Screw (2)
191C	17885	" " " " " Screw (3)
39541	17885	" " " " " Washer (3)
23379	17885	" " Hinge Block
23380	17885	" " " " " Pin
196F	17885	" " " " " Set Screw
402D	17885	" " Screw (3)
40005	17884	" Carrier
40006	17882	" " Block with 40007 and four 404D
40007	17882	Clamp Carrier Block Plate
404D	17882	" " " " " Screw
23384	17882	" " " Connecting Rod
52C	17882	" " " " " Hinge Screw
39591	17884	Clamp Carrier Guide (left)
756D	17884	" " " " " Screw (long)
1345D	17884	" " " " " (short)
39645	17884	" " " " (right)
1230F	17884	" " " " " Screw (2)
249753	17885	" " Plate
1231F	17885	" " " Screw (back) (2)
404D	17885	" " " " (front) (2)
40010	17882	" " Regulator with 240D, 1960 and 39583
1232C	17882	Clamp Carrier Regulator Hinge Screw
1960	17882	" " " Roller and Screw Stud with 1520J
1520J	17882	Clamp Carrier Regulator Roller and Screw Stud Nut
39544	17881	Clamp Carrier Regulator Slide
350076C	17882	" " " Stud (to regulate length of buttonhole)
1671C	17882	Clamp Carrier Regulator Stud Nut
39532	17882	" " " " " Sleeve
39583	17882	" " " " " Stop
240D	17882	" " " " " " Screw
39605	17884	" " Slide with 1345D, 39591 and two 756D
23392	17884	Clamp Carrier Slide Guide (left)
914F	17884	" " " " " " Screw (2)
23393	17884	Clamp Carrier Slide Guide (right)
914F	17884	" " " " " " Screw (2)
23394	17882	Clamp Carrier Slide Lever with 1960

PARTS FOR MACHINE No. 71-30

No.	Plate	Name
23395	17882	Clamp Carrier Slide Lever Regulator
23396	17882	" " " " " Cap
223D	17882	" " " " " "
		Screw (4)
67D	17882	Clamp Carrier Slide Lever Regulator Screw
1960	17882	Clamp Carrier Slide Lever Roller and Screw Stud with 1520J
1520J	17882	Clamp Carrier Slide Lever Roller and Screw Stud Nut
7278	17882	Clamp Carrier Slide Lever Socket Joint
1234C	17882	" " " Regulating Stud
23397	17882	" " " " "
		Bushing
1658C	17882	Clamp Carrier Slide Regulating Stud Thumb Nut
1256D	17884	Clamp Carrier Slide Screw (2)
39606	17886	" Check with 39607, two each 237X and 1348E, for 3/8 to 3/4 in. button- holes
39693	17886	Clamp Check complete, for 3/8 to 3/4 in. buttonholes, Nos. 219F, 2269, 39606, 39609 and 40048 to 40050
Note:		No. 39693 Clamp Check complete is furnished with this machine unless another Clamp Check is specified on order
39639	17886	Clamp Check with 39607, two each 237X and 1348E, for 3/8 to 1 in. buttonholes
39694	17886	Clamp Check complete, for 3/8 to 1 in. buttonholes, Nos. 219F, 2269, 39609, 39639 and 40048 to 40050
1297F	17886	Clamp Check Screw (2)
39607	17886	" " Section and Cutting Plate
237X	17886	" " " " " "
		Screw
1348E	17886	Clamp Check Section and Cutting Plate Support Stud
40014	17886	Clamp Lifting Arm
40015	17964	" " " Connection
41C	17964	" " " Hinge Screw
1520J	17964	" " " " " "
		Nut
1901	17964	Clamp Lifting Arm Connection Roller and Screw Stud with 229D and 12424
40016	17964	Clamp Lifting Arm Connection Roller and Screw Stud Bracket
157F	17964	Clamp Lifting Arm Connection Roller and Screw Stud Bracket Screw
39541	17964	Clamp Lifting Arm Connection Roller and Screw Stud Bracket Screw Washer
229D	17964	Clamp Lifting Arm Connection Roller Cap Screw
12424	17964	Clamp Lifting Arm Connection Roller Cap Screw Washer
199D	17886	Clamp Lifting Arm Screw (2)
262045	17964	" " Stop with 200543XC and 201537X

PARTS FOR MACHINE No. 71-30

No.	Plate	Name
40018	17964	Clamp Lifting Arm Stop Bracket
162D	17964	" " " " " Screw
		(2)
1248C	17964	Clamp Lifting Arm Stop Hinge Screw
1611E	17964	" " " " " "
		Nut
40019	17964	Clamp Lifting Arm Stop Pitman
59D	17964	" " " " " Hinge Screw (2)
200543XC	17964	Clamp Lifting Arm Stop Screw
201537X	17964	" " " " " Nut
40020	17885	" Plate
1235F	17884	" " Screw (4)
23573	17885	" " Support
402D	17885	" " " Screw (2)
23574	17885	" Post
1659C	17885	" Pressure Regulating Thumb Nut
23404	17885	" Spring
23693	17885	" " Bushing
1294C	17885	" " " Position Stud
1550J	17885	" " " " " Nut
20197	17966	" Connecting Rod with 20198, 125044 and two 896AL
*20198	-----	Crank Connecting Rod Cap
896AL	17966	" " " " " Screw
908C	17966	" " " Hinge Screw
1619E	17966	" " " " " Nut
125044	17966	" " " " " Oil Packing (felt)
249631	17881	Face Plate
217D	17881	" " " Screw (lower)
190D	17881	" " " " (upper)
23407	17966	Feed Connecting Rod (lower)
375C	17966	" " " " Hinge Screw
1518J	17966	" " " " " "
		Nut
23408	17966	Feed Connecting Rod (upper) with 202277 and two 966E
966E	17966	Feed Connecting Rod (upper) Cap Screw
202277	17966	Feed Connecting Rod (upper) Oil Pack- ing (wick)
23409	17966	Feed Disengaging Lever
1275C	17966	" " " " Hinge Screw
1521E	17966	" " " " " Nut
23557	17966	" " " " Spring
23412	17890	" Eccentric with 448AL
448AL	17890	" " Set Screw
39994	17882	" Hand Ratchet Lever
232600	17882	" " " " Collar with two 453AL
453AL	17882	Feed Hand Ratchet Lever Collar Set Screw
39995	17882	Feed Hand Ratchet Lever Pawl Body
39996	17882	Feed Hand Ratchet Lever Pawl com- plete, Nos. 207E, 39523, 39995 and two 1049E
90D	17882	Feed Hand Ratchet Lever Pawl Hinge Screw

No.	Plate	Name
39523	17882	Feed Hand Ratchet Lever Pawl Point
1049E	17882	" " " " " "
		Position Screw
207E	17882	Feed Hand Ratchet Lever Pawl Point Screw
13218	17882	Feed Hand Ratchet Lever Pawl Spring
39997	17882	Feed Hand Ratchet Lever complete, Nos. 90D, 13218, 39994 and 39996
39924	17882	Feed Hand Ratchet Wheel with 460AL
3012	17882	" " " " Pin
460AL	17882	" " " " Set Screw
23418	17966	" Rock Shaft
23419	17966	Feed Rock Shaft complete, Nos. 23418 and 23420
23420	17966	Feed Rock Shaft Hinge Pin with 23421
23421	17966	" " " " " Plug
		(leather)
448AL	17966	Feed Rock Shaft Hinge Pin Set Screw
23422	17966	" " " Spring
39590	17966	" " " " Plate
181D	17966	" " " " Screw
39552	-----	" Wheel with 23432 and two 220D
23698	17883	" " " " " "
		for wide bight and wide cutting space, for overall work, etc.
Note:		Feed Wheel 23698 is furnished with this machine unless otherwise specified on order.
249555	17883	Feed Wheel Clutch Disc
249562	17883	" " " " 249555 with 249549, 249550 249589, three each 185X, 201897, 255096 and 255097
249556	17883	Feed Wheel Clutch Disc Locking Plate with 350415C
350415C	17883	Feed Wheel Clutch Disc Locking Plate Screw
201897	17883	Feed Wheel Clutch Roller
249549	17883	" " " " Carrier
249550	17883	" " " " " Oiling Felt
255096	17883	Feed Wheel Clutch Roller Spring
255097	17883	" " " " " Guide
249560	-----	Feed Wheel Clutch (positive) complete, for Machines equipped with spring clutch, Nos. 52C, 201724X, 249556 to 249559, 249561, 249562, 249820 and Form 2461w
249589	17883	Feed Wheel Driving Lever
249561	17883	" " " " Pitman with 23429, 50088C and two 196E
50088C	17883	Feed Wheel Driving Lever Pitman Ball Joint Screw
*23429	-----	Feed Wheel Driving Lever Pitman Cap
196E	17883	" " " " " " Screw
249557	17883	Feed Wheel Driving Lever Plate
52C	17883	" " " " " Screw
1236C	17883	" " " " " Regulating Stud

No.	Plate	Name
7070	17883	Feed Wheel Driving Lever Regulating Stud Sleeve
201724X	17883	Feed Wheel Driving Lever Regulating Stud Thumb Nut
185X	17883	Feed Wheel Driving Lever Screw
249558	17883	" " " " Washer (felt)
1237C	17883	" " Friction Ring Screw
1520J	17883	" " " " " Nut
14017	17883	" " " " " Washer
23552	17883	" " " " " Section (long)
23553	17883	" " " " " (short)
23554	17883	" " " " " Spring
23555	17883	Feed Wheel Friction Ring complete, Nos. 23552 to 23554
2117C	17883	Feed Wheel Pin
249559	17883	" " Retaining Clutch
39595	17883	" " " " Cap
898C	17883	" " " " " Screw
39504	17883	" " " " " Washer
2256	17883	Feed Wheel Retaining Clutch Spring
233D	17883	" " " " " Screw
721D	17883	Feed Wheel Retaining Clutch Spring Stop Screw
39596	17883	Feed Wheel Retaining Clutch Stud
23431	17882	" " Shaft
457AL	17882	" " " Oil Hole Plug Screw
23433	17883	" " Tripping Lever
350237C	17883	" " " " Hinge Screw
1620E	17883	" " " " " Nut
23587	17883	Feed Wheel Tripping Lever Point
203C	17883	" " " " " Screw
		(2)
23435	17883	Feed Wheel Tripping Lever Spring
190D	17883	" " " " " Screw
179E	17883	" " " " " Stop Screw
23432	17883	" " " " Point
220D	17883	" " " " " Screw
23445	17967	Knife, 3/8 inch
23446	17967	" 7/16 inch
23447	17967	" 1/2 inch
23448	17967	" 9/16 inch
23449	17967	" 5/8 inch
Note:		No. 23449 Knife is furnished with this machine unless another Knife is specified on order
23450	17967	Knife, 11/16 inch
23451	17967	" 3/4 inch
23452	17967	" 13/16 inch
23453	17967	" 7/8 inch
23454	17967	" 15/16 inch
23455	17967	" 1 inch
23460	17967	" Bar
23461	17967	" " Connecting Link
1239D	17967	" " " " Hinge Cap Screw
1240C	17967	Knife Bar Connecting Link Hinge Screw

No.	Plate	Name
23462	17967	Knife Bar Connecting Stud with 1319F
1319F	17967	" " " " Clamping Screw
249656	17967	Knife Bar Disengaging Lever with 1242E
23464	17967	" " " " Catch with 1963
23465	17967	Knife Bar Disengaging Lever Catch Bracket
157D	17967	Knife Bar Disengaging Lever Catch Bracket Screw (2)
90C	17967	Knife Bar Disengaging Lever Catch Hinge Screw
1963	17967	Knife Bar Disengaging Lever Catch Roller and Stud
23468	17967	Knife Bar Disengaging Lever Catch Spring
1241E	17967	Knife Bar Disengaging Lever Catch Spring Screw Stud (2)
23466	17882	Knife Bar Disengaging Lever Catch Tripping Point
23467	17882	Knife Bar Disengaging Lever Catch Tripping Point Collar with two 448AL
448AL	17882	Knife Bar Disengaging Lever Catch Tripping Point Collar Set Screw
175D	17882	Knife Bar Disengaging Lever Catch Tripping Point Screw
90C	17967	Knife Bar Disengaging Lever Hinge Screw
23606	17967	Knife Bar Disengaging Lever Spring
1242E	17967	" " " " " " Screw
23469	17967	Knife Bar Driving Lever
350281C	17967	" " " " Hinge Screw
1428C	17967	" " " " Screw Stud
1520J	17967	" " " " " " Nut
23681	17967	" " " " Spring
805C	17967	" " " " " Screw
23470	17967	" " " " (intermediate)
23471	17967	" " " " " "
54C	17967	Connecting Link Knife Bar Driving Lever (intermediate) Connecting Link Hinge Screw
1222C	17967	Knife Bar Driving Lever (intermediate) Hinge Screw
1959	17893	Knife Bar Driving Lever (intermediate) Roller and Screw Stud with 229D and 12424
229D	17893	Knife Bar Driving Lever (intermediate) Roller Cap Screw
12424	17893	Knife Bar Driving Lever (intermediate) Roller Cap Screw Washer
249737	17967	Knife Bar Spring
249544	17967	" " Stop
249545	17967	" " " Retainer Plate
50615D	17967	" " " " Screw
168D	17967	" " " " Screw
23473	17967	" Holder
1243C	17968	" " Guide Stud

No.	Plate	Name
1608C	17968	Knife Holder Guide Stud Nut
157C	17967	" " Screw
1547X	17967	" " " Nut
191C	17967	" Screw
23390	17967	" " Washer
39857	17968	Needle Bar with 904AL
23476	17968	" " Connecting Link with 794E
794E	17968	" " " " Adjusting Screw
1021E	17968	Needle Bar Connecting Link Cap Screw
39601	17968	" " " Stud with 1341C
1341C	17968	" " " " Set Screw
23477	17890	" " Crank with 858AL, 1036AL, 1065AL and 1258AL
1065AL	17890	Needle Bar Crank Position Screw
858AL	17890	" " " Set Screw
23478	17968	" " Frame with 4784
23558	17963	" " " Bell Crank with 1956 and 15072
1956	17963	Needle Bar Frame Bell Crank Roller and Screw Stud with 229D, 1655C and 23389
1655C	17963	Needle Bar Frame Bell Crank Roller and Screw Stud Nut
229D	17963	Needle Bar Frame Bell Crank Roller Cap Screw
23389	17963	Needle Bar Frame Bell Crank Roller Cap Screw Washer
23667	17963	Needle Bar Frame Bell Crank Stud
39966	17963	" " " Cam and Bevel Gear
1244C	17963	" " " " " " " Screw
39622	17963	Needle Bar Frame Connection with 1963 and 39616 to 39618
39926	17963	Needle Bar Frame Connection 39622 with 78C and 1226E
78C	17963	Needle Bar Frame Connection Hinge Screw
1963	17963	Needle Bar Frame Connection Roller and Stud
23483	17963	Needle Bar Frame Connection Spring
23484	17963	" " " " " "
1226E	17963	Hook Needle Bar Frame Connection Spring Screw Stud
249600	17963	Needle Bar Frame Connection Stud (eccentric)
196F	17963	Needle Bar Frame Connection Stud (eccentric) Set Screw
39967	17890	Needle Bar Frame Driving Bevel Pin- ion with two 453AL
453AL	17890	Needle Bar Frame Driving Bevel Pin- ion Set Screw
23610	17968	Needle Bar Frame Pitman (hinge screw end)
23609	17968	Needle Bar Frame Pitman (regulator end)
190C	17968	Needle Bar Frame Pitman Adjusting Screw

No.	Plate	Name
7071	17968	Needle Bar Frame Pitman Adjusting Screw Washer
23611	17968	Needle Bar Frame Pitman (adjustable) complete, Nos. 23609, 23610, two each 190C and 7071
1042C	17968	Needle Bar Frame Pitman Hinge Screw
1547X	17968	" " " " " " Nut
23491	17968	Needle Bar Frame Regulator
39900	17968	" " " " 23491 with 1245C
1038C	17968	Needle Bar Frame Regulator Adjusting Screw
7070	17968	Needle Bar Frame Regulator Adjusting Screw Sleeve
1589C	17968	Needle Bar Frame Regulator Adjusting Screw Thumb Nut
1245C	17968	Needle Bar Frame Regulator Hinge Screw
673F	17968	Needle Bar Frame Screw Center
1517J	17968	" " " " " Nut
39608	17884	" Plate
404D	17884	" " Screw (2)
904AL	17968	" Set Screw
39653	17966	Oscillating Rock Shaft
39654	17966	Oscillating Rock Shaft complete, Nos. 23494, 39653 and 262044
23494	17966	Oscillating Rock Shaft Hinge Pin with 23421
23421	17966	Oscillating Rock Shaft Hinge Pin Oil Hole Plug (leather)
448AL	17966	Oscillating Rock Shaft Hinge Pin Set Screw
262044	17966	Oscillating Rock Shaft Oil Pad
39655	17890	" Shaft
39656	17890	" " Bushing (back)
24047	17890	" " " (front)
39657	17890	" " Crank
39658	17890	Oscillating Shaft Crank complete, Nos. 1636E, 24050, 39657 and two 1253C
1253C	17890	Oscillating Shaft Crank Set Screw
19448	17890	" " " Slide Block
226J	17890	" " " " " Cap Screw
12424	17890	Oscillating Shaft Crank Slide Block Cap Screw Washer
1035C	17890	Oscillating Shaft Crank Slide Block Screw Stud
1636E	17890	Oscillating Shaft Crank Slide Block Screw Stud Nut
24050	17890	Oscillating Shaft Crank Slide Block complete, Nos. 226J, 1035C, 12424 and 19448
*249538	-----	Pulley (loose) with 200584D
249891	17890	" " Ball Bearing
249539	17890	" " Bushing
200584D	17890	" " Grease Retaining Screw

No.	Plate	Name
249540	17890	Pulley (loose, ball bearing) complete, Nos. 249538, 249539 and 249891
40024	17890	Pulley (tight)
39927	17890	" 40024 with 40025
249541	17890	" (tight) Counter Balance
249542	17890	" " " " Rivet
40025	17890	" " Pin
23500	17969	Shuttle Bobbin
*249597	-----	" " Case
15140	17969	" " " Latch
2973	17969	" " " Lever
2974	17969	" " " " Fulcrum Pin
15141	17969	Shuttle Bobbin Case Hinge, Nos. 2973, 2974 and 15140
2975	17969	Shuttle Bobbin Case Latch Spring
592E	17969	" " " Stop Screw
249546	17969	" " " Position Plate
399D	17969	" " " " Screw
249599	17969	Shuttle Bobbin Case complete, Nos. 591F, 592E, 2975, 15098, 15141 and 249597
23503	17969	Shuttle Body
262048	17969	" 1-11/16 in. diam., Nos. 23500, 23503 and 249599
23505	17890	Shuttle Driver with 462AL
2269	17890	" " Pin
462AL	17890	" " Set Screw
249593	17969	" Race
39969	17969	" " Back
2532	17969	" " " Position Pin
2533	17969	" " " Spring
907E	17969	" " " " Screw
7326	17969	" " Cap
662D	17969	" " " Screw
249928	17969	" " Oil Packing (felt)
249594	17969	" " Plate
203E	17969	" " " Screw
249595	17969	" " Position Pin
452C	17969	" " " " Set Screw
249596	17969	Shuttle Race complete, Nos. 907E, 2533, 7326, 39969, 249546, 249593, 249594, two each 399D, 662D, 2532, 249595, 249928 and three 203E
145F	17969	Shuttle Race Screw (2)
591F	17969	" Tension Regulating Screw
15098	17969	" " Spring
39627	17893	Starting Lever
717AL	17893	" " Adjusting Screw
1520J	17893	" " " " Nut
21643	17893	" " Belt Shifter
159F	17893	" " " " Screw
23510	17893	" " Bracket
8582	17893	" " " Dowel Pin (2)
123E	17893	" " " Screw
23511	17893	" " Rod
61C	17893	" " Hinge Screw
564C	17893	" " Screw Center

No.	Plate	Name
58384	17893	Starting Lever Screw Center 564C with 1508R (2)
1508R	17893	Starting Lever Screw Center Nut
14174	17893	" " Spring
124C	17893	" " Stop Screw
1518J	17893	" " " " Nut
39628	17890	Stop Cam with 39629 and 202330
39580	17893	" " Interlocking Rod
23514	17893	" " " " Guide with 1070C and 1959
1070C	17893	Stop Cam Interlocking Rod Guide Set Screw
39988	17893	Stop Cam Interlocking Rod Guide Washer (nylon)
21651	17893	Stop Cam Interlocking Rod Spring
913C	17893	" " " " " " Regulating Thumb Screw
1638E	17893	Stop Cam Interlocking Rod Spring Regulating Thumb Screw Nut
202330	17890	Stop Cam Oil Packing (wick)
39629	17890	" " Pin
23515	17890	" " Spring (long)
23516	17890	" " " " (short)
249543	17890	" " " " Cover with 249541, two each 9780 and 249542
9780	17890	Stop Cam Spring Cover Position Pin
997E	17890	" " " " " " Screw (2)
39637	17890	" " " " Stop Block
1349C	17890	" " " " " " Screw
39638	17890	" " " " " " Block
457AL	17890	" " " " " " Set Screw
23518	17882	" " Lever
78D	17882	" " Hinge Screw
9540	17882	" " Spring
2102	17896	Tension (side of Arm) Disc
1560C	17896	" " " " " " Regulating Thumb Nut
23519	17896	Tension (side of Arm) Releaser with 200AL
40033	17964	Tension (side of Arm) Releaser Arm with 50128E
12538	17964	Tension (side of Arm) Releaser Arm Pin
50128E	17964	Tension (side of Arm) Releaser Arm Set Screw
200AL	17896	Tension (side of Arm) Releaser Set Screw
23520	17896	Tension (side of Arm) Releaser Shaft
40034	17896	" " " " " " " " Crank
679C	17896	Tension (side of Arm) Releaser Shaft Crank Ball Screw Stud
1520J	17896	Tension (side of Arm) Releaser Shaft Crank Ball Screw Stud Nut
2269	17896	Tension (side of Arm) Releaser Shaft Crank Pin
413C	17896	Tension (side of Arm) Screw Stud
8238	17896	" " " " " " Spring

No.	Plate	Name
249567	17896	Tension (side of Arm) complete, Nos. 413C, 1560C, 7335, 8238, 23526 and two 2102
23669	17896	Tension (side of Arm) Thread Guard
460AL	17896	" " " " " " " " Set Screw
32012	17965	Tension (top cover) Disc (2)
1560C	17965	" " " " " " " " Regulating Thumb Nut
39631	17965	Tension (top cover) Releaser
1387C	17965	" " " " " " " " Guide Screw Stud
1521E	17965	Tension (top cover) Releaser Guide Screw Stud Nut
39632	17965	Tension (top cover) Releaser Holder with 201F
999F	17965	Tension (top cover) Releaser Holder Hinge Screw
201F	17965	Tension (top cover) Releaser Set Screw
32572	17965	" " " " " " Releasing Disc
39633	17965	" " " " " " Lever
39634	17965	" " " " " " " " Connection
974F	17965	Tension (top cover) Releasing Lever Connection Screw (back)
940F	17965	Tension (top cover) Releasing Lever Connection Screw (front)
90C	17965	Tension (top cover) Releasing Lever Hinge Screw
39635	17965	Tension (top cover) Releasing Pin
350554C	17965	" " " " " " Screw Stud
201739E	17965	" " " " " " " " Lock Nut
2103	17965	Tension (top cover) Spring
39636	17965	" " " " " " Thread Eyelet (double)
217F	17965	Tension (top cover) Thread Eyelet Screw
40035	17884	Thread (lower) Cutting Blade
40036	17884	" " " " " " " " Carrier with 40038
40037	17964	Thread (lower) Cutting Blade Carrier Lever
32C	17964	Thread (lower) Cutting Blade Carrier Lever Hinge Screw
249534	17964	Thread (lower) Cutting Blade Carrier Lever Spring
1241E	17964	Thread (lower) Cutting Blade Carrier Lever Spring Screw Stud (2)
435AL	17964	Thread (lower) Cutting Blade Carrier Lever Stop Screw
1520J	17964	Thread (lower) Cutting Blade Carrier Lever Stop Screw Nut
40038	17884	Thread (lower) Cutting Blade Carrier Stud
39646	17884	Thread (lower) Cutting Blade Friction Plate
228F	17884	Thread (lower) Cutting Blade Friction Plate Screw (2)

PARTS FOR MACHINE No. 71-30

No.	Plate	Name
240D	17884	Thread (lower) Cutting Blade Screw (2)
249831	17964	Thread (lower) Cutting Lever
1351C	17964	" " " " Ball Screw
1520J	17964	Thread (lower) Cutting Lever Ball Screw Nut
39921	17964	Thread (lower) Cutting Lever Extension
966D	17964	Thread (lower) Cutting Lever Extension Screw
1671C	17964	Thread (lower) Cutting Lever Extension Screw Nut
249845	17884	Thread (lower) Pull-off Finger
106C	17884	" " " " Guide Screw
1350C	17884	Thread (lower) Pull-off Finger Hinge Screw
40048	17886	Thread (upper) Clamping Blade
39609	17886	" " Cutting Blade
39610	17886	" " " " Connecting Rod
40043	17886	Thread (upper) Cutting Blade Connecting Rod Collar (back) with 209AL
209AL	17886	Thread (upper) Cutting Blade Connecting Rod Collar (back) Set Screw
40044	17886	Thread (upper) Cutting Blade Connecting Rod Collar (front) with 237X
2273	17886	Thread (upper) Cutting Blade Connecting Rod Collar (front) Pin
237X	17886	Thread (upper) Cutting Blade Connecting Rod Collar (front) Set Screw
40045	17886	Thread (upper) Cutting Blade Connecting Rod Collar (front) Washer (rawhide) (2)
106C	17886	Thread (upper) Cutting Blade Connecting Rod Hinge Screw
23606	17886	Thread (upper) Cutting Blade Connecting Rod Spring
39611	17886	Thread (upper) Cutting Blade Connecting Rod Spring Bracket
203F	17886	Thread (upper) Cutting Blade Connecting Rod Spring Bracket Screw (2)
7071	17886	Thread (upper) Cutting Blade Connecting Rod Spring Bracket Screw Washer (2)
40047	17886	Thread (upper) Cutting Blade Connecting Rod Spring Collar with 646F
646F	17886	Thread (upper) Cutting Blade Connecting Rod Spring Collar Set Screw
21699	17886	Thread (upper) Cutting Blade Position Pin
219F	17886	Thread (upper) Cutting Blade Screw
40049	17886	" " " " Shaft with 21699
40050	17886	Thread (upper) Cutting Blade Shaft Crank with 906C
2269	17886	Thread (upper) Cutting Blade Shaft Crank Pin

PARTS FOR MACHINE No. 71-30

No.	Plate	Name
906C	17886	Thread (upper) Cutting Blade Shaft Crank Set Screw
40051	17964	Thread (upper) Cutting Lever with 641C
40052	17964	Thread (upper) Cutting Lever Lock Pin
1352C	17964	Thread (upper) Cutting Lever Lock Pin Screw Bushing
40053	17964	Thread (upper) Cutting Lever Lock Pin Spring
2117C	17964	Thread (upper) Cutting Lever Pin
641C	17964	" " " " Set Screw
40054	17964	Thread (upper) Cutting Lever Shaft
40067	17964	" " " " " Bracket
966D	17964	Thread (upper) Cutting Lever Shaft Bracket Screw (4)
39612	17964	Thread (upper) Cutting Lever Shaft Crank with two each 200AL and 40059
40057	17964	Thread (upper) Cutting Lever Shaft Crank Latch
766D	17964	Thread (upper) Cutting Lever Shaft Crank Latch Hinge Screw
40058	17964	Thread (upper) Cutting Lever Shaft Crank Latch Spring
206F	17964	Thread (upper) Cutting Lever Shaft Crank Latch Spring Screw
1144F	17964	Thread (upper) Cutting Lever Shaft Crank Latch Spring Screw
40059	17964	Thread (upper) Cutting Lever Shaft Crank Latch Stop Pin
200AL	17964	Thread (upper) Cutting Lever Shaft Crank Set Screw
40060	17964	Thread (upper) Cutting Lever Spring
1241E	17964	" " " " " Screw Stud (2)
717AL	17964	Thread (upper) Cutting Lever Stop Screw
1520J	17964	Thread (upper) Cutting Lever Stop Screw Nut
249692	17896	Thread (upper) Guide
228D	17896	" " " " Screw (2)
39711	17896	" Guiding Stud (side of Arm)
460AL	17896	" " " " Set Screw
39712	17965	" Retainer Holder with 462AL
1664E	17965	" " " " Nut
12400	17965	" " Sleeve
39713	17965	" " Spring
12402	17965	" " Stud
462AL	17965	" " " " Set Screw
39714	17965	Thread Retainer complete, Nos. 1664E, 12400, 12402, 39712 and 39713
23523	17968	Thread Take-up Crank
1036AL	17890	" " " " Position Screw
1258AL	17890	" " " " Set Screw
23524	17968	" " " " Lever

No.	Plate	Name
350553C	17968	Thread Take-up Lever Adjusting Screw
201528F	17968	" " " " " "
		Nut
262042	17968	Thread Take-up Lever Link
249915	17968	" " " " Hinge Pin
		with 222598
222598	17968	Thread Take-up Lever Link Hinge
		Pin Oil Packing (wick)
435AL	17968	Thread Take-up Lever Link Hinge
		Pin Set Screw
262043	17968	Thread Take-up Lever complete, Nos.
		23524, 201528F, 262042 and 350553C
4784	17968	Thread Take-up Lever Oil Pad
7335	17896	" " Spring
23526	17896	" " Regulator
446C	17896	" " " " Set
		Screw

SINGER Needles should be used
in **SINGER** Machines
These Needles and their Containers
are marked with the
Company's Trade Mark "SIMANCO.**" 1

Needles in Containers marked
"FOR SINGER MACHINES"
are NOT **SINGER** made needles. 2

MACHINE No. 71-31

MAKES PURL STITCH BUTTONHOLES WITH WIDE
BARRED ENDS. KNIVES FROM $\frac{3}{8}$ TO $\frac{3}{4}$ INCH
LONG. CUTS BOTH THREADS AND THE
HOLE AUTOMATICALLY AFTER
STITCHING.

LOW SPEED MACHINE. POSITIVE FEED CLUTCH.

Same as Machine No. 71-30 with the following
exceptions:

No.	Plate	Name
23632	17907	Needle Bar Frame Bell Crank with 1956 and 15072, in place of 23558
39643	17907	Needle Bar Frame Connection with 1963 and 39616 to 39618, in place of 39622
262041	17907	Needle Bar Frame Connection 39643 with 78C and 1226E, in place of 39926
39579	17907	Needle Bar Frame Connection Stud (eccentric) in place of 249600

ACCESSORIES

No.	Plate	Name
23527	17938	Drip Pan with two wood screws 1/2 in., No. 5, R.H.B.
23530	17970	Gauge, for 1/4 to 1 in., for setting length of buttonhole
23445	17967	Knife, 3/8 inch
23447	17967	" 1/2 inch
23451	17967	" 3/4 inch
71x1	-----	Needles, three each, sizes 14 and 16
120346	17970	Oiler (copper plated) with 120347
120347	17970	" Spout (8-1/2 in. long)
11831	17970	Screw Driver, 5 in. blade (machine, large)
259477	17970	Screw Driver (machine, small)
26485	17970	" " (Shuttle Tension)
23500	17969	Shuttle Bobbin (2)
40035	17884	Thread (lower) Cutting Blade
40048	17886	" (upper) Clamping Blade
39609	17886	" " Cutting Blade
10875	17970	Wrench, for 1518 and 1520
21654	17970	" " 1508 and 1638
23535	17970	" " 1671, for regulating length of buttonhole
249820	17970	Wrench, for 350415C

BOBBIN WINDER

(SWINGING AUTOMATIC, RIGHT HAND)

27914	17971	Base with 27916 and two 28084
27915	17971	" Plate
389F	17971	" Screw
15072	17971	Bobbin Position Pin
27916	17971	Brake (leather)
28084	17971	" Rivet
27302	17971	Frame
50356D	17971	" Hinge Screw
1620J	17971	" " " Nut
27917	17971	" Spring
27918	17971	Pulley
*27849	-----	Spindle
27538	17971	" 27849 with 15072, 27850 and 41828
*27850	-----	Spindle Collar
41828	17971	" " Pin
27919	17971	Stop Latch
35D	17971	" " Hinge Screw
262034	17971	Tension Bracket with 452AL

No.	Plate	Name
262053	17971	Tension Bracket with Rod complete, Nos. 1620J, 5989, 10145, 27922 249693 and 262034
2455	17971	Tension Disc
1562J	17971	" Regulating Thumb Nut
418D	17971	" Screw Stud
10141	17971	" Spring
10145	17971	" Thread Guide
5989	17971	Tension complete, Nos. 418D, 1562J, 10141 and two 2455
27922	17971	Thread Eyelet Rod
452AL	17971	" " " Set Screw
249693	17971	" Leader
1620J	17971	" " Lock Nut
27923	17971	Bobbin Winder, Nos. 35D, 1620J, 27302, 27538, 27914, 27917 to 27919 and 50356D
262054	17971	Bobbin Winder (swinging automatic, right hand) complete, Nos. 27915, 27923, 262053 and two 389F

DRIVING EQUIPMENT

228320	18261	Bed Frame Cushion (felt)
228330	18261	Clamp Lifting Chain, 46 in. long, with 39575 and 39576 (for right hand machine)
39571	18261	Clamp Lifting Chain Guide Pulley
236849	18261	" " " " " Bracket
1064D	18261	" " " " " Hinge Screw
236850	18261	Clamp Lifting Chain Guide Pulley Bracket complete, Nos. 1064D, 39571, 236849 and two wood screws 1-1/4 in. No. 12, R.H.B.
39575	18261	Clamp Lifting Chain Hook (large)
39576	18261	" " " " (small)
23551	18261	" " " " Screw Eye
250408	18261	Machine Rest (high) with 232982 and two wood screws 1 in., No. 12
232982	18261	Machine Rest Cushion (leather)
228347	18261	Starting Chain (lower) 10-1/2 in. long
228348	18261	" " (upper) 27 in. long
228333	18261	" " Cushion Spring
39575	18261	" " Hook (large)
39576	18261	" " " (small)
228349	18261	Starting Chain complete, Nos. 228333, 228347, 228348, two each 39575 and 39576
39571	18261	Starting Chain Guide Pulley (large)
228494	18261	" " " " (small)
236849	18261	" " " " " Bracket
1064D	18261	Starting Chain Guide Pulley Hinge Screw

No.	Plate	Name
236850	18261	Starting Chain Guide Pulley Bracket (large) complete, Nos. 1064D, 39571, 236849 and two wood screws 1-1/4 in., No. 12, R.H.B.
228495	18261	Starting Chain Guide Pulley Bracket (small) complete, Nos. 1064D, 228494, 236849 and two wood screws 1-1/4 in., No. 12, R.H.B.
228500	18261	Table Extension with two wood screws 2-1/2 in., No. 12
14372	18261	Treadle
51074R	18261	" Bolt
46709	18261	" " 51074R with 23250 and 67425
67425	18261	Treadle Bolt Lock Washer
23250	18261	" " Washer
14373	18261	" Extension
50581R	18261	" " Screw
2718R	18261	" " " Washer
17881	18261	" Shaft
14374	18261	" Spring
14375	18261	" Stand
228757	18261	Treadle complete, Nos. 2718R, 14372 to 14375, 17881, 50581R and two 46709
228496	18261	Driving Equipment complete, for Motor Drive (without use of belt idlers) for use with Table 205295 and Stand No. 46998, Nos. 228330, 228349, 228495, 228500, 250408, two each 23551, 228757, three 236850 and four 228320

IRON BASE

39910	17938	Bed Frame with two each 16555, 19398, four each 84E, 24106, six 14010 and four wood screws 1-1/4 in., No. 12
24106	17938	Bed Frame Cushion (felt)
84E	17938	" " " Screw
19226	17938	" " Hinge Connection
19398	17938	" " " 19226 with 211E and 19397
19397	17938	Bed Frame Hinge Connection Cap
211E	17938	" " " " " Screw
16555	17938	" " " Plate
14010	17938	" " " " Rivet
39911	17938	Splash Guard with 201655X
39912	17938	" " Hinge
200574E	17938	" " " Screw
201655X	17938	" " Locking Screw Wing Nut
39913	17938	Bed Frame and Splash Guard complete, Nos. 39910, 39911, two 39912 and eight 200574E

THREAD UNWINDER

(FOR TWO SPOOLS)

No.	Plate	Name
228764	13537	Spool Pin
228766	13537	" Rest (for two spools) (flat) with 201254C
150203	13537	Spool Rest Cushion (felt)
228767	13537	" " Rod
201254C	13537	" " Set Screw
228768	13537	" Stand
228769	13537	Thread Guide
228770	13537	" " Holder (for one or two guides)
228774	13537	Thread Guide Rod
228776	13537	Thread Unwinder (for two spools) complete, Nos. 228766 to 228768, 228770, 228774, two each 150203, 228764, 228769 and three wood screws 7/8 in., No. 12

CLAMP PARTS

FOR COLLARS AND CUFFS, SHIRT NECK BANDS AND BOSOMS AND LADIES WAISTS

39647	17901	Clamp Arm
39731	17901	" Check with 1348E, 39733 and two 50138F, for 3/8 to 3/4 in. buttonholes
39732	17901	Clamp Check complete, for 3/8 to 3/4 in. buttonholes, Nos. 219F, 2269, 39731, 39734, 39735, 40049 and 40050
39650	17901	Clamp Check Holder
337B	17901	" " " Adjusting Screw
249749	17901	" " " " "
		Friction Plate
212D	17901	Clamp Check Holder Hinge Cap Screw
237F	17901	" " " Stop Screw
39715	17901	" " " " Washer
1296AL	17901	" " Screw (2)
39733	17901	" " Section and Cutting Plate
50138F	17901	" " " " " "
		Screw
1348E	17901	Clamp Check Section and Cutting Plate Support Stud
1296AL	17901	Clamp Check Stop Screw
39734	17901	Thread (upper) Clamping Blade
39735	17901	" " Cutting Blade
21699	17901	" " " " Position Pin
219F	17901	" " " " Screw

No.	Plate	Name
40049	17901	Thread (upper) Cutting Blade Shaft with 21699
40050	17901	Thread (upper) Cutting Blade Shaft Crank with 906C
2269	17901	Thread (upper) Cutting Blade Shaft Crank Pin
906C	17901	Thread (upper) Cutting Blade Shaft Crank Set Screw

DRIVING EQUIPMENT FOR MACHINES WHEN SET IN PAIRS

228320	17903	Bed Frame Cushion (felt)
228321	17903	Belt Idler Belt Guide with 361C
361C	17903	" " " " Set Screw
228481	17903	" " Pulley with 228482
228323	17903	" " " Bracket with three 355C
355C	17903	Belt Idler Pulley Bracket Set Screw
126910	17903	" " " " Shaft
228324	17903	" " " " Hanger with two 355C and three wood screws 1 in., No. 12
355C	17903	Belt Idler Pulley Bracket Shaft Set Screw
228482	17903	Belt Idler Pulley Bushing (bronze oil-less bearing)
228326	17903	Belt Idler Pulley Shaft with 858AL and 203100
203100	17903	Belt Idler Pulley Shaft Oil Packing (wick)
858AL	17903	Belt Idler Pulley Shaft Oil Stop Screw
355C	17903	" " " " Set Screw
228327	17903	" " " Washer (rawhide)
228328	17903	Belt Idler complete, Nos. 126910, 228324, two each 228321, 228323, 228326, 228481, four 228327 and Form A1127
228329	17903	Clamp Lifting Chain, 34 in. long, with 39575 and 39576 (for left hand machine)
228330	17903	Clamp Lifting Chain, 46 in. long, with 39575 and 39576 (for right hand machine)
39571	17903	Clamp Lifting Chain Guide Pulley (large)
236849	17903	Clamp Lifting Chain Guide Pulley Bracket
1064D	17903	Clamp Lifting Chain Guide Pulley Hinge Screw

No.	Plate	Name
236850	17903	Clamp Lifting Chain Guide Pulley Bracket (large) complete, Nos. 1064D, 39571, 236849 and two wood screws 1-1/4 in., No. 12, R.H.B.
228494	17903	Clamp Lifting Chain Guide Pulley (small)
228495	17903	Clamp Lifting Chain Guide Pulley Bracket (small) complete, Nos. 1064D, 228494, 236849 and two wood screws 1-1/4 in., No. 12, R.H.B.
39575	17903	Clamp Lifting Chain Hook (large)
39576	17903	" " " " (small)
23551	17903	" " " " Screw Eye
228331	17903	Front Plank Extension with two wood Screws 2-1/2 in., No. 14
39810	17903	Knee Starting Rock Shaft
228332	17903	" " " " Connecting Rod
6337	17903	Knee Starting Rock Shaft Connecting Rod Bracket with two 356C
356C	17903	Knee Starting Rock Shaft Connecting Rod Bracket Set Screw
356C	17903	Knee Starting Rock Shaft Connecting Rod Set Screw
228333	17903	Knee Starting Rock Shaft Connection Cushion Spring
39575	17903	Knee Starting Rock Shaft Connection Hook (large)
39576	17903	Knee Starting Rock Shaft Connection Hook (small)
228334	17903	Knee Starting Rock Shaft Connection Spring
228335	17903	Knee Starting Rock Shaft Connection complete, Nos. 39575, 39576, 228333 and 228334
21327	17903	Knee Starting Rock Shaft Hanger with two wood screws 1 in., No. 10
6335	17903	Knee Starting Rock Shaft Knee Arm with 1509E
2766	17903	Knee Starting Rock Shaft Knee Arm Hub with 356C
356C	17903	Knee Starting Rock Shaft Knee Arm Hub Set Screw
1509E	17903	Knee Starting Rock Shaft Knee Arm Lock Nut
6336	17903	Knee Starting Rock Shaft Knee Arm complete, Nos. 2766, 2767 and 6335
2767	17903	Knee Starting Rock Shaft Knee Plate with 356C
150668	17903	Knee Starting Rock Shaft Knee Plate Pad (rubber)
356C	17903	Knee Starting Rock Shaft Knee Plate Set Screw
228337	17903	Knee Starting Rock Shaft Position Spring

DRIVING EQUIPMENT

No.	Plate	Name
228338	17903	Knee Starting Rock Shaft Position
		Spring Adjusting Collar with 454AL
454AL	17903	Knee Starting Rock Shaft Position
		Spring Adjusting Collar Set Screw
2770	17903	Knee Starting Rock Shaft Stop Dog
		with 140219C
140219C	17903	Knee Starting Rock Shaft Stop Dog
		Set Screw
228339	17903	Knee Starting Rock Shaft complete,
		Nos. 2770, 6336, 6337, 39810, 150668,
		228332, 228335, 228337, 228338 and
		two 21327
250408	17903	Machine Rest (high) with 232982 and
		two wood screws 1 in. No. 12
232982	17903	Machine Rest Cushion (leather)
14372	17903	Treadle
14373	17903	" Extension
50581R	17903	" " Screw
2718R	17903	" " " Washer
17881	17903	" Shaft
14374	17903	" Spring
14375	17903	" Stand
14376	17903	Treadle complete, Nos. 2718R, 14372
		to 14375, 17881, 50581R and two
		wood screws 1-1/4 in., No. 12 F. H.
228355	17903	Driving Equipment, less shaft pulley
		(for Machines set in pairs) com-
		plete, Nos. 228329 to 228331, 228495,
		236850, 250408, two each 14376,
		23551, 228328, 228339, eight 228320
		and two blue prints

GUIDES

23436	17902	Guide (back) for cuffs
249734	17902	" for shirt bands
23549	17902	" " " bosoms
23441	17902	" (corner) for collars
23439	17902	" (left) for collars
23437	17902	" " for cuffs
23440	17902	" (right) for collars
23438	17902	" " for cuffs
1238F	17902	" Screw

KNIVES

23445	17967	Knife, 3/8 inch
23446	17967	" 7/16 inch
23447	17967	" 1/2 inch
23448	17967	" 9/16 inch
23449	17967	" 5/8 inch
23450	17967	" 11/16 inch

KNIVES

No.	Plate	Name
23451	17967	Knife, 3/4 inch
23452	17967	" 13/16 inch
23453	17967	" 7/8 inch
23454	17967	" 15/16 inch
23455	17967	" 1 inch

MISCELLANEOUS PARTS

USED IN CONJUNCTION WITH THREAD UNWINDER

60913	13537	Spool Weight with 60914
60914	13537	" " Center Pin
27739	13537	Thread Cone (wood)
225390	13537	" " Holder

SINGER Needles should be used
in SINGER Machines
These Needles and their Containers
are marked with the
Company's Trade Mark "SIMANCO.**" 1

Needles in Containers marked
"FOR SINGER MACHINES"
are NOT SINGER made needles. 2

NUMERICAL LIST OF PARTS

No.	Plate	Name
32C	17964	Thread (lower) Cutting Blade Carrier Lever Hinge Screw
35D	17971	Bobbin Winder Stop Latch Hinge Screw, for 27923
41C	17964	Clamp Lifting Arm Connection Hinge Screw
52C	17882	Clamp Carrier Connecting Rod Hinge Screw
52C	17883	Feed Wheel Driving Lever Plate Screw, for 249560
54C	17967	Knife Bar Driving Lever (intermediate) Connecting Link Hinge Screw
59D	17964	Clamp Lifting Arm Stop Pitman Hinge Screw
61C	17893	Starting Lever Rod Hinge Screw
67D	17882	Clamp Carrier Slide Lever Regulator Screw
78C	17963	Needle Bar Frame Connection Hinge Screw, for 39926 and 262041
78D	17882	Stop Lever Hinge Screw
84E	17938	Bed Frame Cushion Screw, for 39910
90D	17882	Feed Hand Ratchet Lever Pawl Hinge Screw, for 39997
90C	17967	Knife Bar Disengaging Lever Catch Hinge Screw
90C	17967	Knife Bar Disengaging Lever Hinge Screw
90C	17965	Tension (top cover) Releasing Lever Hinge Screw
93X	17963	Barring Ratchet Pawl Spring Screw
106C	17884	Thread (lower) Pull-off Finger Guide Screw
106C	17886	Thread (upper) Cutting Blade Connec- ting Rod Hinge Screw
123E	17893	Starting Lever Bracket Screw
124C	17963	Barring Lever Stop Screw
124C	17893	Starting Lever Stop Screw
135D	17971	Bobbin Winder Tension Bracket Screw
145F	17969	Shuttle Race Screw
157F	17964	Clamp Lifting Arm Connection Roller and Screw Stud Bracket Screw
157D	17967	Knife Bar Disengaging Lever Catch Bracket Screw
157C	17967	Knife Holder Screw
159F	17893	Starting Lever Belt Shifter Screw
162D	17964	Clamp Lifting Arm Stop Bracket Screw
168D	17967	Knife Bar Stop Retainer Plate Screw
175D	17882	" " Disengaging Lever Catch Tripping Point Screw
179E	17883	Feed Wheel Tripping Lever Stop Screw

NUMERICAL LIST OF PARTS

No.	Plate	Name
181D	17966	Feed Rock Shaft Spring Screw
185X	17883	" Wheel Driving Lever Screw, for 249562
190D	17965	Arm Side Cover Screw
190D	17881	Face Plate Screw (upper)
190D	17883	Feed Wheel Tripping Lever Spring Screw
190C	17968	Needle Bar Frame Pitman Adjusting Screw, for 23611
191C	17885	Clamp Arm Bracket Screw
191C	17967	Knife Screw
193F	17963	Barring Ratchet Wheel Tripping Point Screw
196F	17885	Clamp Arm Hinge Block Pin Set Screw, for 39584
196E	17883	Feed Wheel Driving Lever Pitman Cap Screw, for 249561
196F	17963	Needle Bar Frame Connection Stud Set Screw
199D	17886	Clamp Lifting Arm Screw
200AL	17896	Tension (side of Arm) Releaser Set Screw, for 23519
200AL	17964	Thread (upper) Cutting Lever Shaft Crank Set Screw, for 39612
201F	17965	Tension (top cover) Releaser Set Screw, for 39632
203C	17963	Barring Ratchet Retaining Pawl Adjusting Screw, for 23546
203C	17883	Feed Wheel Tripping Lever Point Screw
203E	17969	Shuttle Race Plate Screw, for 249596
203F	17886	Thread (upper) Cutting Blade Connecting Rod Spring Bracket Screw
206F	17964	Thread (upper) Cutting Lever Shaft Crank Latch Spring Screw
207F	17885	Clamp Arm Bracket Guide (right) Screw
207E	17882	Feed Hand Ratchet Lever Pawl Point Screw, for 39996
209AL	17886	Thread (upper) Cutting Blade Connecting Rod Collar (back) Set Screw, for 40043
211E	17938	Bed Frame Hinge Connection Cap Screw, for 19398
212D	17901	Clamp Check Holder Hinge Cap Screw
217D	17881	Face Plate Screw (lower)
217F	17965	Tension (top cover) Thread Eyelet Screw
219F	17885	Clamp Arm Bracket Guide (left) Screw
219F	17886	Thread (upper) Cutting Blade Screw, for 39693, 39694 and 39732
220D	17883	Feed Wheel Tripping Point Screw, for 23698 and 39552
223D	17882	Clamp Carrier Slide Lever Regulator Cap Screw
226J	17890	Oscillating Shaft Crank Slide Block Cap Screw, for 24050
228F	17884	Thread (lower) Cutting Blade Friction Plate Screw
228D	17896	Thread (upper) Guide Screw
229D	17964	Clamp Lifting Arm Connection Roller Cap Screw, for 1901
229D	17893	Knife Bar Driving Lever (intermediate) Roller Cap Screw, for 1959

NUMERICAL LIST OF PARTS

No.	Plate	Name
229D	17963	Needle Bar Frame Bell Crank Roller Cap Screw, for 1956
233D	17883	Feed Wheel Retaining Clutch Spring Screw
237F	17901	Clamp Check Holder Stop Screw
237X	17886	" " Section and Cutting Plate Screw, for 39606 and 39639
237X	17886	Thread (upper) Cutting Blade Connecting Rod Collar (front) Set Screw, for 40044
240D	17963	Barring Ratchet Retaining Pawl Spring Screw
240D	17882	Clamp Carrier Regulator Stud Stop Screw, for 40010
240D	17884	Thread (lower) Cutting Blade Screw
337B	17901	Clamp Check Holder Adjusting Screw
355C	17903	Belt Idler Pulley Bracket Set Screw, for 228323
355C	17903	Belt Idler Pulley Bracket Shaft Set Screw for 228324
355C	17903	Belt Idler Pulley Shaft Set Screw, for 228323
356C	17903	Knee Starting Rock Shaft Connecting Rod Bracket Set Screw, for 6337
356C	17903	Knee Starting Rock Shaft Connecting Rod Set Screw, for 6337
356C	17903	Knee Starting Rock Shaft Knee Arm Hub Set Screw, for 2766
356C	17903	Knee Starting Rock Shaft Knee Plate Set Screw, for 2767
361C	17903	Belt Idler Belt Guide Set Screw, for 228321
375C	17966	Feed Connecting Rod (lower) Hinge Screw
389F	17971	Bobbin Winder Base Plate Screw
389F	17971	" " " Screw, for 262054
399D	17969	Shuttle Bobbin Case Position Plate Screw, for 249596
402D	17885	Clamp Arm Screw
402D	17885	" Plate Support Screw
404D	17882	" Carrier Block Plate Screw, for 40006
404D	17885	Clamp Carrier Plate Screw (front)
404D	17884	Needle Plate Screw
413C	17896	Tension (side of Arm) Screw Stud, for 249567
418D	17971	Bobbin Winder Tension Screw Stud, for 5989
435AL	17890	Arm Shaft Flanged Bushing (back) Set Screw
435AL	17964	Thread (lower) Cutting Blade Carrier Lever Stop Screw
435AL	17968	Thread Take-up Lever Link Hinge Pin Set Screw
446C	17896	Thread Take-up Spring Regulator Set Screw
448AL	17890	Feed Eccentric Set Screw, for 23412
448AL	17966	" Rock Shaft Hinge Pin Set Screw

No.	Plate	Name
448AL	17882	Knife Bar Disengaging Lever Catch Tripping Point Collar Set Screw, for 23467
448AL	17966	Oscillating Rock Shaft Hinge Pin Set Screw
452AL	17971	Bobbin Winder Thread Eyelet Rod Set Screw, for 262034
452C	17969	Shuttle Race Position Pin Set Screw, for 249596
453AL	17882	Feed Hand Ratchet Lever Collar Set Screw, for 232600
453AL	17890	Needle Bar Frame Driving Bevel Pinion Set Screw, for 39967
454AL	17903	Knee Starting Rock Shaft Position Spring Adjusting Collar Set Screw, for 228338
457AL	17882	Feed Wheel Shaft Oil Hole Plug Screw
457AL	17890	Stop Cam Spring Stop Screw Set Screw
460AL	17882	Feed Hand Ratchet Wheel Set Screw, for 39924
460AL	17896	Tension (side of Arm) Thread Guard Set Screw
460AL	17896	Thread Guiding Stud Set Screw
462AL	17890	Shuttle Driver Set Screw, for 23505
462AL	17965	Thread Retainer Stud Set Screw, for 39712
564C	17893	Starting Lever Screw Center, for 58384
591F	17969	Shuttle Tension Regulating Screw, for 249599
592E	17969	Shuttle Bobbin Case Latch Stop Screw, for 249599
625F	17885	Clamp Arm Adjusting Screw
641C	17964	Thread (upper) Cutting Lever Set Screw, for 40051
646F	17886	Thread (upper) Cutting Blade Connecting Rod Spring Collar Set Screw, for 40047
662D	17969	Shuttle Race Cap Screw, for 249596
673F	17968	Needle Bar Frame Screw Center
679C	17896	Tension (side of Arm) Releaser Shaft Crank Ball Screw Stud
717AL	17893	Starting Lever Adjusting Screw
717AL	17964	Thread (upper) Cutting Lever Stop Screw
721D	17883	Feed Wheel Retaining Clutch Spring Stop Screw
748E	17881	Arm Screw (back)
756D	17884	Clamp Carrier Guide (left) Screw (long) for 39605
766D	17964	Thread (upper) Cutting Lever Shaft Crank Latch Hinge Screw
794E	17968	Needle Bar Connecting Link Adjusting Screw, for 23476
805C	17963	Barring Lever Catch Spring Screw
805C	17967	Knife Bar Driving Lever Spring Screw
808AL	17965	Arm Top Cover Screw
856C	17965	Barring Tripping Lever Hinge Screw
858AL	17882	" Cam Set Screw, for 23562
858AL	17903	Belt Idler Pulley Shaft Oil Stop Screw, for 228326

No.	Plate	Name
858AL	17890	Needle Bar Crank Set Screw, for 23477
868E	17881	Arm Screw (front)
896AL	17966	Crank Connecting Rod Cap Screw, for 20197
898C	17883	Feed Wheel Retaining Clutch Cap Screw
904AL	17968	Needle Set Screw, for 39857
906C	17886	Thread (upper) Cutting Blade Shaft Crank Set Screw, for 40050
907E	17969	Shuttle Race Back Spring Screw, for 249596
908C	17966	Crank Connecting Rod Hinge Screw
913C	17893	Stop Cam Interlocking Rod Spring Regulating Thumb Screw
914F	17884	Clamp Carrier Slide Guide (left) Screw
914F	17884	" " " " (right) Screw
940F	17965	Tension (top cover) Releasing Lever Connection Screw (front)
966E	17966	Feed Connecting Rod (upper) Cap Screw, for 23408
966D	17964	Thread (lower) Cutting Lever Extension Screw
966D	17964	Thread (upper) Cutting Lever Shaft Bracket Screw
974F	17965	Tension (top cover) Releasing Lever Connection Screw (back)
997E	17890	Stop Cam Spring Cover Screw
999F	17963	Barring Ratchet Retaining Pawl Hinge Screw
999F	17965	Tension (top cover) Releaser Holder Hinge Screw
1021E	17968	Needle Bar Connecting Link Cap Screw
1035C	17890	Oscillating Shaft Crank Slide Block Screw Stud, for 24050
1036AL	17890	Thread Take-up Crank Position Screw, for 23477
1038C	17968	Needle Bar Frame Regulator Adjusting Screw
1042C	17968	Needle Bar Frame Pitman Hinge Screw
1049E	17882	Feed Hand Ratchet Lever Pawl Point Position Screw, for 39996
1064D	17903	Clamp Lifting Chain Guide Pulley Hinge Screw, for 228495 and 236850
1064D	18261	Starting Chain Guide Pulley Hinge Screw, for 228495 and 236850
1065AL	17890	Needle Bar Crank Position Screw, for 23477
1069D	17890	Arm Shaft Screw
1070C	17893	Stop Cam Interlocking Rod Guide Set Screw, for 23514
1144F	17964	Thread (upper) Cutting Lever Shaft Crank Latch Spring Screw
1222C	17967	Knife Bar Driving Lever (intermediate) Hinge Screw
1226C	17963	Barring Lever Catch Position Stud, for 23564
1226E	17963	Needle Bar Frame Connection Spring Screw Stud, for 39926 and 262041

No.	Plate	Name
1227C	17963	Barring Lever Hinge Screw
1228C	17965	" Indicator Stud
1230F	17884	Clamp Carrier Guide (right) Screw
1231F	17885	" " Plate Screw (back)
1232C	17882	" " Regulator Hinge Screw
1234C	17882	" " Slide Regulating Stud
1235F	17881	Bed Oil Guard Screw
1235F	17884	Clamp Plate Screw
1236C	17883	Feed Wheel Driving Lever Regulating Stud
1237C	17883	Feed Wheel Friction Ring Screw
1238F	17902	Guide Screw
1239D	17967	Knife Bar Connecting Link Hinge Cap Screw
1240C	17967	Knife Bar Connecting Link Hinge Screw
1241E	17967	" " Disengaging Lever Catch Spring Screw Stud
1241E	17964	Thread (lower) Cutting Blade Carrier Lever Spring Screw Stud
1241E	17964	Thread (upper) Cutting Lever Spring Screw Stud
1242E	17967	Knife Bar Disengaging Lever Spring Screw, for 249656
1243C	17968	Knife Holder Guide Stud
1244C	17963	Needle Bar Frame Cam and Bevel Gear Screw
1245C	17968	Needle Bar Frame Regulator Hinge Screw, for 39900
1248C	17963	Barring Ratchet Pawl Hinge Screw
1248C	17964	Clamp Lifting Arm Stop Hinge Screw
1253C	17890	Oscillating Shaft Crank Set Screw, for 39658
1256D	17884	Clamp Carrier Slide Screw
1258AL	17890	Thread Take-up Crank Set Screw, for 23477
1275C	17966	Feed Disengaging Lever Hinge Screw
1276C	17963	Barring Lever Catch Hinge Screw
1286C	17963	" Ratchet Wheel Spring Screw
1294C	17885	Clamp Spring Bushing Position Stud
1296AL	17901	" Check Screw
1296AL	17901	" " Stop Screw
1297F	17886	" " Screw
1319F	17967	Knife Bar Connecting Stud Clamping Screw, for 23462
1341C	17968	Needle Bar Connecting Stud Set Screw, for 39601
1345D	17884	Clamp Carrier Guide (left) Screw (short) for 39605
1348E	17886	Clamp Check Section and Cutting Plate Support Stud, for 39606, 39639 and 39731
1349C	17890	Stop Cam Spring Stop Screw
1350C	17884	Thread (lower) Pull-off Finger Hinge Screw
1351C	17964	Thread (lower) Cutting Lever Ball Screw
1352C	17964	Thread (upper) Cutting Lever Lock Pin Screw Bushing

No.	Plate	Name
1387C	17965	Tension (top cover) Releaser Guide Screw Stud
1428C	17967	Knife Bar Driving Lever Screw Stud
1508R	17893	Starting Lever Screw Center Nut, for 58384
1509E	17903	Knee Starting Rock Shaft Knee Arm Lock Nut, for 6335
1517J	17968	Needle Bar Frame Screw Center Nut
1518J	17963	Barring Lever Stop Screw Nut
1518J	17966	Feed Connecting Rod (lower) Hinge Screw Nut
1518J	17893	Starting Lever Stop Screw Nut
1520J	17882	Clamp Carrier Regulator Roller and Screw Stud Nut, for 1960
1520J	17882	Clamp Carrier Slide Lever Roller and Screw Stud Nut, for 1960
1520J	17964	Clamp Lifting Arm Connection Hinge Screw Nut
1520J	17883	Feed Wheel Friction Ring Screw Nut
1520J	17967	Knife Bar Driving Lever Screw Stud Nut
1520J	17893	Starting Lever Adjusting Screw Nut
1520J	17896	Tension (side of Arm) Releaser Shaft Crank Ball Screw Stud Nut
1520J	17964	Thread (lower) Cutting Blade Carrier Lever Stop Screw Nut
1520J	17964	Thread (upper) Cutting Lever Stop Screw Nut
1520J	17964	Thread (lower) Cutting Lever Ball Screw Nut
1521E	17966	Feed Disengaging Lever Hinge Screw Nut
1521E	17965	Tension (top cover) Releaser Guide Screw Stud Nut
1547X	17885	Clamp Arm Adjusting Screw Nut
1547X	17967	Knife Holder Screw Nut
1547X	17968	Needle Bar Frame Pitman Hinge Screw Nut
1550J	17885	Clamp Spring Bushing Position Stud Nut
1560C	17896	Tension (side of Arm) Regulating Thumb Nut, for 249567
1560C	17965	Tension (top cover) Regulating Thumb Nut
1562J	17971	Bobbin Winder Tension Regulating Thumb Nut, for 5989
1589C	17965	Barring Indicator Stud Thumb Nut
1589C	17968	Needle Bar Frame Regulator Adjusting Screw Thumb Nut
1608C	17968	Knife Holder Guide Stud Nut
1611E	17964	Clamp Lifting Arm Stop Hinge Screw Nut
1619E	17966	Crank Connecting Rod Hinge Screw Nut
1620J	17971	Bobbin Winder Frame Hinge Screw Nut, for 27923
1620J	17971	Bobbin Winder Thread Leader Lock Nut, for 262053
1620E	17883	Feed Wheel Tripping Lever Hinge Screw Nut
1636E	17890	Oscillating Shaft Crank Slide Block Screw Stud Nut, for 39658

No.	Plate	Name
1638E	17893	Stop Cam Interlocking Rod Spring Regulating Thumb Screw Nut
1655E	17963	Barring Lever Hinge Screw Nut
1655C	17963	Needle Bar Frame Bell Crank Roller and Screw Stud Nut, for 1956
1658C	17882	Clamp Carrier Slide Regulating Stud Thumb Nut
1659C	17885	Clamp Pressure Regulating Thumb Nut
1664E	17965	Thread Retainer Holder Nut, for 39714
1671C	17882	Clamp Carrier Regulator Stud Nut
1671C	17964	Thread (lower) Cutting Lever Extension Screw Nut
1901	17964	Clamp Lifting Arm Connection Roller and Screw Stud with 229D and 12424
1956	17963	Needle Bar Frame Bell Crank Roller and Screw Stud with 229D, 1655C and 23389, for 23558 and 23632
1959	17893	Knife Bar Driving Lever (intermediate) Roller and Screw Stud with 229D and 12424, for 23514
1960	17882	Clamp Carrier Regulator Roller and Screw Stud with 1520J, for 40010
1960	17882	Clamp Carrier Slide Lever Roller and Screw Stud with 1520J, for 23394
1963	17967	Knife Bar Disengaging Lever Catch Roller and Stud, for 23464
1963	17963	Needle Bar Frame Connection Roller and Stud, for 39622 and 39643
2102	17896	Tension (side of Arm) Disc, for 249567
2103	17965	" (top cover) Spring
2117C	17883	Feed Wheel Pin
2117C	17964	Thread (upper) Cutting Lever Pin
2256	17883	Feed Wheel Retaining Clutch Spring
2269	17890	Shuttle Driver Pin
2269	17896	Tension (side of Arm) Releaser Shaft Crank Pin
2269	17886	Thread (upper) Cutting Blade Shaft Crank Pin, for 39693, 39694 and 39732
2273	17886	Thread (upper) Cutting Blade Connecting Rod Collar (front) Pin
2455	17971	Bobbin Winder Tension Disc, for 5989
2532	17969	Shuttle Race Back Position Pin, for 249596
2533	17969	Shuttle Race Back Spring, for 249596
2718R	17903	Treadle Extension Screw Washer, for 14376 and 228757
2766	17903	Knee Starting Rock Shaft Knee Arm Hub with 356C, for 6336
2767	17903	Knee Starting Rock Shaft Knee Plate with 356C, for 6336
2770	17903	Knee Starting Rock Shaft Stop Dog with 140219C, for 228339
2973	17969	Shuttle Bobbin Case Latch Lever, for 15141
2974	17969	Shuttle Bobbin Case Latch Lever Fulcrum Pin, for 15141
2975	17969	Shuttle Bobbin Case Latch Spring, for 249599
3012	17882	Feed Hand Ratchet Wheel Pin

No.	Plate	Name
4784	17890	Arm Shaft Oil Pad
4784	17968	Thread Take-up Lever Oil Pad, for 23478
5989	17971	Bobbin Winder Tension complete, Nos. 418D, 1562J, 10141 and two 2455, for 262053
6335	17903	Knee Starting Rock Shaft Knee Arm with 1509E, for 6336
6336	17903	Knee Starting Rock Shaft Knee Arm complete, Nos. 2766, 2767 and 6335, for 228339
6337	17903	Knee Starting Rock Shaft Connecting Rod Bracket with two 356C, for 228339
7070	17883	Feed Wheel Driving Lever Regulating Stud Sleeve
7070	17968	Needle Bar Frame Regulator Adjusting Screw Sleeve
7071	17963	Barring Ratchet Wheel Tripping Point Screw Washer
7071	17968	Needle Bar Frame Pitman Adjusting Screw Washer, for 23611
7071	17886	Thread (upper) Cutting Blade Connecting Rod Spring Bracket Screw Washer
7278	17882	Clamp Carrier Slide Lever Socket Joint
7326	17969	Shuttle Race Cap, for 249596
7335	17896	Thread Take-up Spring, for 249567
8238	17896	Tension (side of Arm) Spring, for 249567
8582	17881	Arm Dowel Pin
8582	17893	Starting Lever Bracket Dowel Pin
9540	17882	Stop Lever Spring
9780	17890	" Cam Spring Cover Position Pin, for 249543
10141	17971	Bobbin Winder Tension Spring, for 5989
10145	17971	" " " Thread Guide, for 262053
10875	17970	Wrench, for 1518 and 1520
11831	17970	Screw Driver (5 in. blade) (machine, large)
12357	17890	Arm Shaft Flanged Bushing (back)
12400	17965	Thread Retainer Sleeve, for 39714
12402	17965	" " Stud, for 39714
12424	17964	Clamp Lifting Arm Connection Roller Cap Screw Washer, for 1901
12424	17893	Knife Bar Driving Lever (intermediate) Roller Cap Screw Washer, for 1959
12424	17890	Oscillating Shaft Crank Slide Block Cap Screw Washer, for 24050
12538	17964	Tension (side of Arm) Releaser Arm Pin
13218	17882	Feed Hand Ratchet Lever Pawl Spring, for 39997
14010	17938	Bed Frame Hinge Plate Rivet, for 39910
14017	17883	Feed Wheel Friction Ring Screw Washer
14174	17893	Starting Lever Spring
		Nos. 14372 to 14375, for 14376 and 228757
14372	17903	Treadle
14373	17903	" Extension
14374	17903	" Spring
14375	17903	" Stand

NUMERICAL LIST OF PARTS

No.	Plate	Name
14376	17903	Treadle complete, Nos. 2718R, 14372 to 14375, 17881, 50581R and two wood screws 1-1/4 in., No. 12, F. H., for 228355
15072	17963	Barring Ratchet Pawl Spring Stop Pin, for 23558 and 23632
15072	17971	Bobbin Winder Bobbin Position Pin, for 27538
15098	17969	Shuttle Tension Spring, for 249599
15140	17969	" Bobbin Case Latch, for 15141
15141	17969	" " " Hinge, Nos. 2973, 2974 and 15140, for 249599
16555	17938	Bed Frame Hinge Plate, for 39910
17881	17903	Treadle Shaft, for 14376 and 228757
19226	17938	Bed Frame Hinge Connection, for 19398
19397	17938	" " " " Cap, for 19398
19398	17938	Bed Frame Hinge Connection 19226 with 211E and 19397, for 39910
19448	17890	Oscillating Shaft Crank Slide Block, for 24050
20197	17966	Crank Connecting Rod with 20198, 125044 and two 896AL
*20198	-----	Crank Connecting Rod Cap, for 20197
21327	17903	Knee Starting Rock Shaft Hanger with two wood screws 1 in., No. 10, for 228339
21643	17893	Starting Lever Belt Shifter
21651	17893	Stop Cam Interlocking Rod Spring
21654	17970	Wrench, for 1508 and 1638
21699	17886	Thread (upper) Cutting Blade Position Pin, for 40049
23250	18261	Treadle Bolt Washer, for 46709
23352	17890	Arm Shaft
23361	17963	Barring Ratchet Pawl
23362	17963	" " " Spring
23364	17963	" " Retaining Pawl Spring
23367	17963	" " Wheel Tripping Point
23370	17965	" Tripping Lever
23379	17885	Clamp Arm Hinge Block
23380	17885	" " " " Pin
23384	17882	" Carrier Connecting Rod
23389	17963	Needle Bar Frame Bell Crank Roller Cap Screw Washer, for 1956
23390	17967	Knife Screw Washer
23392	17884	Clamp Carrier Slide Guide (left)
23393	17884	" " " " (right)
23394	17882	" " " Lever with 1960
23395	17882	" " " " Regulator
23396	17882	" " " " Cap
23397	17882	" " " Regulating Stud
		Bushing
23404	17885	Clamp Spring
23407	17966	Feed Connecting Rod (lower)
23408	17966	" " " (upper) with 202277 and two 966E
23409	17966	Feed Disengaging Lever
23412	17890	" Eccentric with 448AL
23418	17966	" Rock Shaft, for 23419

NUMERICAL LIST OF PARTS

No.	Plate	Name
23419	17966	Feed Rock Shaft complete, Nos. 23418 and 23420
23420	17966	Feed Rock Shaft Hinge Pin with 23421, for 23419
23421	17966	Feed Rock Shaft Hinge Pin Plug (leather) for 23420
23421	17966	Oscillating Rock Shaft Hinge Pin Oil Hole Plug (leather) for 23494
23422	17966	Feed Rock Shaft Spring
*23429	-----	" Wheel Driving Lever Pitman Cap, for 249561
23431	17882	Feed Wheel Shaft
23432	17883	" " Tripping Point, for 23698 and 39552
23433	17883	Feed Wheel Tripping Lever
23435	17883	" " " " Spring
23436	17902	Guide (back) for cuffs
23437	17902	" (left) for cuffs
23438	17902	" (right) for cuffs
23439	17902	" (left) for collars
23440	17902	" (right) for collars
23441	17902	" (corner) for collars
23445	17967	Knife, 3/8 inch
23446	17967	" 7/16 inch
23447	17967	" 1/2 inch
23448	17967	" 9/16 inch
23449	17967	" 5/8 inch
23450	17967	" 11/16 inch
23451	17967	" 3/4 inch
23452	17967	" 13/16 inch
23453	17967	" 7/8 inch
23454	17967	" 15/16 inch
23455	17967	" 1 inch
23460	17967	" Bar
23461	17967	" " Connecting Link
23462	17967	" " " Stud with 1319F
23464	17967	" " Disengaging Lever Catch with 1963
23465	17967	Knife Bar Disengaging Lever Catch Bracket
23466	17882	Knife Bar Disengaging Lever Catch Tripping Point
23467	17882	Knife Bar Disengaging Lever Catch Tripping Point Collar with two 448AL
23468	17967	Knife Bar Disengaging Lever Catch Spring
23469	17967	Knife Bar Driving Lever
23470	17967	" " " " (intermediate)
23471	17967	" " " " " "
		Connecting Link
23473	17967	Knife Holder
23476	17968	Needle Bar Connecting Link with 794E
23477	17890	" " Crank with 858AL, 1036AL, 1065AL and 1258AL
23478	17968	Needle Bar Frame with 4784
23483	17963	" " " Connection Spring
23484	17963	" " " " " Hook

No.	Plate	Name
23491	17968	Needle Bar Frame Regulator, for 39900
23494	17966	Oscillating Rock Shaft Hinge Pin with 23421, for 39654
23500	17969	Shuttle Bobbin, for 262048
23503	17969	" Body, for 262048
23505	17890	" Driver with 462AL
23510	17893	Starting Lever Bracket
23511	17893	" " Rod
23514	17893	Stop Cam Interlocking Rod Guide with 1070C and 1959
23515	17890	Stop Cam Spring (long)
23516	17890	" " " (short).
23518	17882	" Lever
23519	17896	Tension (side of Arm) Releaser Arm with 200AL
23520	17896	Tension (side of Arm) Releaser Shaft
23523	17968	Thread Take-up Crank
23524	17968	" " Lever, for 262043
23526	17896	" " Spring Regulator, for 249567
23527	17938	Drip Pan with two wood screws 1/2 in., No. 5, R.H.B.
23530	17970	Gauge, for 1/4 to 1 in., for setting length of buttonhole
23535	17970	Wrench, for 1671, for regulating length of buttonhole
23544	17963	Barring Ratchet Retaining Pawl (hinge screw end) for 23546
23545	17963	Barring Ratchet Retaining Pawl (wheel end) for 23546
23546	17963	Barring Ratchet Retaining Pawl (adjustable) complete, Nos. 203C, 23544 and 23545
23549	17902	Guide, for shirt bosoms
23551	17903	Clamp Lifting Chain Hook Screw Eye, for 228355 and 228496
		Nos. 23552 to 23554, for 23555
23552	17883	Feed Wheel Friction Ring Section (long)
23553	17883	" " " " " (short)
23554	17883	" " " " Spring
23555	17883	Feed Wheel Friction Ring complete, Nos. 23552 to 23554
23557	17966	Feed Disengaging Lever Spring
23558	17963	Needle Bar Frame Bell Crank with 1956 and 15072, for Machine No. 71-30
23562	17882	Barring Cam with two 858AL
23563	17963	" Lever
23564	17963	" " Catch with 1226C
23565	17963	" " " Spring
23566	17963	" " Spring
23567	17886	Clamp Arm
23573	17885	" Plate Support
23574	17885	" Post
23587	17883	Feed Wheel Tripping Lever Point
23606	17967	Knife Bar Disengaging Lever Spring
23606	17886	Thread (upper) Cutting Blade Connecting Rod Spring
23609	17968	Needle Bar Frame Pitman (regulator end) for 23611

No.	Plate	Name
23610	17968	Needle Bar Frame Pitman (hinge screw end) for 23611
23611	17968	Needle Bar Frame Pitman (adjustable) complete, Nos. 23609, 23610, two each 190C and 7071
23632	17907	Needle Bar Frame Bell Crank with 1956 and 15072, in place of 23558, for Machine No. 71-31
23664	17963	Barring Ratchet Wheel
23665	17963	" " " Spring
23666	17963	" " " Washer
23667	17963	Needle Bar Frame Bell Crank Stud
23669	17896	Tension (side of Arm) Thread Guard
23681	17967	Knife Bar Driving Lever Spring
23693	17885	Clamp Spring Bushing
23698	17883	Feed Wheel with 23432 and two 220D, for wide bight and wide cutting space, for overall work, etc.
24047	17890	Oscillating Shaft Bushing (front)
24050	17890	Oscillating Shaft Crank Slide Block complete, Nos. 226J, 1035C, 12424 and 19448, for 39658
*24081	-----	Arm Shaft Bushing (front) for 39602
24106	17938	Bed Frame Cushion (felt) for 39910
26485	17970	Screw Driver (Shuttle Tension)
27302	17971	Bobbin Winder Frame, for 27923
27538	17971	" " Spindle 27849 with 15072, 27850 and 41828, for 27923
27739	13537	Thread Unwinder Thread Cone (wood)
*27849	-----	Bobbin Winder Spindle, for 27538
*27850	-----	" " " Collar, for 27538
27914	17971	" " Base with 27916 and two 28084, for 27923
27915	17971	Bobbin Winder Base Plate, for 262054
27916	17971	" " Brake (leather) for 27914
		Nos. 27917 to 27919, for 27923
27917	17971	Bobbin Winder Frame Spring
27918	17971	" " Pulley
27919	17971	" " Stop Latch
27922	17971	" " Thread Eyelet Rod, for 262053
27923	17971	Bobbin Winder, Nos. 35D, 1620J, 27302, 27538, 27914, 27917 to 27919 and 50356D, for 262054
28084	17971	Bobbin Winder Brake Rivet, for 27914
32012	17965	Tension (top cover) Disc
32572	17965	" " " Releasing Disc
39504	17883	Feed Wheel Retaining Clutch Cap Screw Washer
39523	17882	Feed Hand Ratchet Lever Pawl Point, for 39996
39532	17882	Clamp Carrier Regulator Stud Sleeve
39538	17881	Bed Oil Guard
39541	17885	Clamp Arm Bracket Screw Washer
39541	17964	" Lifting Arm Connection Roller and Screw Stud Bracket Screw Washer
39544	17881	Clamp Carrier Regulator Slide
39552	-----	Feed Wheel with 23432 and two 220D

No.	Plate	Name
		Nos. 39910 to 39912, for 39913
39910	17938	Bed Frame with two each 16555, 19398, four each 84E, 24106, six 14010 and four wood screws 1-1/4 in., No. 12
39911	17938	Splash Guard with 201655X
39912	17938	" " Hinge
39913	17938	Bed Frame and Splash Guard complete, Nos. 39910, 39911, two 39912 and eight 200574E
39921	17964	Thread (lower) Cutting Lever Extension
39924	17882	Feed Hand Ratchet Wheel with 460AL
39926	17963	Needle Bar Frame Connection 39622 with 78C and 1226E, for Machine No. 71-30
39927	17890	Pulley 40024 with 40025
39966	17963	Needle Bar Frame Cam and Bevel Gear
39967	17890	" " " Driving Bevel Pinion with two 453AL
39969	17969	Shuttle Race Back, for 249596
39988	17893	Stop Cam Interlocking Rod Guide Washer (nylon)
39994	17882	Feed Hand Ratchet Lever, for 39997
39995	17882	" " " " Pawl Body, for 39996
39996	17882	Feed Hand Ratchet Lever Pawl complete, Nos. 207E, 39523, 39995 and two 1049E, for 39997
39997	17882	Feed Hand Ratchet Lever complete, Nos. 90D, 13218, 39994 and 39996
40003	17885	Clamp Arm Bracket Guide (left)
40004	17885	" " " " (right)
40005	17884	" Carrier
40006	17882	" " Block with 40007 and four 404D
40007	17882	Clamp Carrier Block Plate, for 40006
40010	17882	" " Regulator with 240D, 1960 and 39583
40014	17886	Clamp Lifting Arm
40015	17964	" " " Connection
40016	17964	" " " " Roller and Screw Stud Bracket
40018	17964	Clamp Lifting Arm Stop Bracket
40019	17964	" " " " Pitman
40020	17885	" Plate
40024	17890	Pulley (tight) for 39927
40025	17890	" " Pin, for 39927
40033	17964	Tension (side of Arm) Releaser Arm with 50128E
40034	17896	Tension (side of Arm) Releaser Shaft Crank
40035	17884	Thread (lower) Cutting Blade
40036	17884	" " " " Carrier with 40038
40037	17964	Thread (lower) Cutting Blade Carrier Lever
40038	17884	Thread (lower) Cutting Blade Carrier Stud, for 40036
40043	17886	Thread (upper) Cutting Blade Connecting Rod Collar (back) with 209AL

No.	Plate	Name
40044	17886	Thread (upper) Cutting Blade Connecting Rod Collar (front) with 237X
40045	17886	Thread (upper) Cutting Blade Connecting Rod Collar (front) Washer (rawhide)
40047	17886	Thread (upper) Cutting Blade Connecting Rod Spring Collar with 646F
		Nos. 40048 to 40050, for 39693 and 39694
40048	17886	Thread (upper) Clamping Blade
40049	17886	" " Cutting Blade Shaft with 21699, also for 39732
40050	17886	Thread (upper) Cutting Blade Shaft Crank with 906C, also for 39732
40051	17964	Thread (upper) Cutting Lever with 641C
40052	17964	" " " " Lock Pin
40053	17964	" " " " " " " " Spring
40054	17964	Thread (upper) Cutting Lever Shaft
40057	17964	" " " " " " Crank Latch
40058	17964	Thread (upper) Cutting Lever Shaft Crank Latch Spring
40059	17964	Thread (upper) Cutting Lever Shaft Crank Latch Stop Pin, for 39612
40060	17964	Thread (upper) Cutting Lever Spring
40067	17964	" " " " Shaft Bracket
41828	17971	Bobbin Winder Spindle Collar Pin, for 27538
46709	18261	Treadle Bolt 51074R with 23250 and 67425, for 228757
50088C	17883	Feed Wheel Driving Lever Pitman Ball Joint Screw, for 249561
50128E	17964	Tension (side of Arm) Releaser Arm Set Screw, for 40033
50138F	17901	Clamp Check Section and Cutting Plate Screw, for 39731
50356D	17971	Bobbin Winder Frame Hinge Screw, for 27923
50581R	17903	Treadle Extension Screw, for 14376 and 228757
50615D	17967	Knife Bar Stop Retainer Plate Screw
51074R	18261	Treadle Bolt, for 46709
58384	17893	Starting Lever Screw Center 564C with 1508R
60913	13537	Thread Unwinder Spool Weight with 60914
60914	13537	Thread Unwinder Spool Weight Center Pin, for 60913
67425	18261	Treadle Bolt Lock Washer, for 46709
120346	17970	Oiler (copper plated) with 120347
120347	17970	" Spout (8-1/2 in. long) for 120346
125044	17966	Crank Connecting Rod Oil Packing (felt) for 20197
126910	17903	Belt Idler Pulley Bracket Shaft, for 228328
140219C	17903	Knee Starting Rock Shaft Stop Dog Set Screw, for 2770

No.	Plate	Name
150203	13537	Thread Unwinder Spool Rest Cushion (felt) for 228776
150668	17903	Knee Starting Rock Shaft Knee Plate Pad (rubber) for 228339
200543XC	17964	Clamp Lifting Arm Stop Screw, for 262045
200574E	17938	Splash Guard Hinge Screw, for 39913
200584D	17890	Pulley (loose) Grease Retaining Screw, for 249538
201254C	13537	Thread Unwinder Spool Rest Set Screw, for 228766
201528F	17968	Thread Take-up Lever Adjusting Screw Nut, for 262043
201537X	17964	Clamp Lifting Arm Stop Screw Nut, for 262045
201655X	17938	Splash Guard Locking Screw Wing Nut, for 39911
201724X	17883	Feed Wheel Driving Lever Regulating Stud Thumb Nut, for 249560
201739E	17965	Tension (top cover) Screw Stud Lock Nut
201897	17883	Feed Wheel Clutch Roller, for 249562
202277	17966	" Connecting Rod (upper) Oil Packing (wick) for 23408
202330	17890	Stop Cam Oil Packing (wick) for 39628
203100	17903	Belt Idler Pulley Shaft Oil Packing (wick) for 228326
213949	17963	Barring Lever Catch Spring Screw Washer
222598	17968	Thread Take-up Lever Link Hinge Pin Oil Packing (wick) for 249915
225390	13537	Thread Unwinder Thread Cone Holder
228320	17903	Bed Frame Cushion (felt) for 228355 and 228496
228321	17903	Belt Idler Belt Guide with 361C, for 228328
228323	17903	Belt Idler Pulley Bracket with three 355C, for 228328
228324	17903	Belt Idler Pulley Bracket Shaft Hanger with two 355C and three wood screws 1 in., No. 12, for 228328
228326	17903	Belt Idler Pulley Shaft with 858AL and 203100, for 228328
228327	17903	Belt Idler Pulley Washer (rawhide) for 228328
		Nos. 228328 to 228331, for 228355
228328	17903	Belt Idler complete, Nos. 126910, 228324, two each 228321, 228323, 228326, 228481, four 228327 and Form A1127
228329	17903	Clamp Lifting Chain, 34 in. long, with 39575 and 39576 (for left hand machine)
228330	17903	Clamp Lifting Chain, 46 in. long, with 39575 and 39576 (for right hand machine) also for 228496
228331	17903	Front Plank Extension with two wood screws 2-1/2 in., No. 14
228332	17903	Knee Starting Rock Shaft Connecting Rod, for 228339

No.	Plate	Name
228333	17903	Knee Starting Rock Shaft Connection Cushion Spring, for 228335
228333	18261	Starting Chain Cushion Spring, for 228349
228334	17903	Knee Starting Rock Shaft Connection Spring, for 228335
228335	17903	Knee Starting Rock Shaft Connection complete, Nos. 39575, 39576, 228333 and 228334, for 228339
228337	17903	Knee Starting Rock Shaft Position Spring, for 228339
228338	17903	Knee Starting Rock Shaft Position Spring Adjusting Collar with 454AL, for 228339
228339	17903	Knee Starting Rock Shaft complete, Nos. 2770, 6336, 6337, 39810, 150668, 228332, 228335, 228337, 228338 and two 21327, for 228355
228347	18261	Starting Chain (lower) 10-1/2 in. long, for 228349
228348	18261	Starting Chain (upper) 27 in. long, for 228349
228349	18261	Starting Chain complete, Nos. 228333, 228347, 228348, two each 39575 and 39576, for 228496
228355	17903	Driving Equipment, less shaft pulley (for machines set in pairs) complete, Nos. 228329 to 228331, 228495, 236850, 250408, two each 14376, 23551, 228328, 228339, eight 228320 and two blue prints
228481	17903	Belt Idler Pulley with 228482, for 228328
228482	17903	Belt Idler Pulley Bushing (bronze, oil-less bearing) for 228481
228494	17903	Clamp Lifting Chain Guide Pulley (small) for 228495
228494	18261	Starting Chain Guide Pulley (small) for 228495
228495	17903	Clamp Lifting Chain Guide Pulley Bracket (small) complete, Nos. 1064D, 228494, 236849 and two wood screws 1-1/4 in., No. 12, R. H. B., for 228355
228495	18261	Starting Chain Guide Pulley Bracket (small) complete, Nos. 1064D, 228494, 236849 and two wood screws 1-1/4 in., No. 12, R. H. B., for 228496
228496	18261	Driving Equipment complete, for Motor Drive (without use of belt idlers) for use with Table 205295 and Stand No. 46998, Nos. 228330, 228349, 228495, 228500, 250408, two each 23551, 228757, three 236850 and four 228320
228500	18261	Table Extension with two wood screws 2-1/2 in., No. 12, for 228496
228757	18261	Treadle complete, Nos. 2718R, 14372 to 14375, 17881, 50581R and two 46709, for 228496

No.	Plate	Name
228764	13537	Thread Unwinder Spool Pin, for 228776 Nos. 228766 to 228770, for 228776
228766	13537	Thread Unwinder Spool Rest (for two spools) (flat) with 201254C
228767	13537	Thread Unwinder Spool Rest Rod
228768	13537	" " " Stand
228769	13537	" " " Thread Guide
228770	13537	" " " " Holder (for one or two guides)
228774	13537	Thread Unwinder Thread Guide Rod, for 228776
228776	13537	Thread Unwinder (for two spools) com- plete, Nos. 228766 to 228768, 228770, 228774, two each 150203, 228764, 228769 and three wood screws 7/8 in., No. 12
232600	17882	Feed Hand Ratchet Lever Collar with two 453AL
232982	17903	Machine Rest Cushion (leather) for 250408
236849	17903	Clamp Lifting Chain Guide Pulley Bracket, for 228495 and 236850
236849	18261	Starting Chain Guide Pulley Bracket, for 228495 and 236850
236850	18261	Clamp Lifting Chain Guide Pulley Bracket complete, Nos. 1064D, 39571, 236849 and two wood screws 1-1/4 in., No. 12, R. H. B., for 228496
236850	17903	Clamp Lifting Chain Guide Pulley Bracket (large) complete, Nos. 1064D, 39571, 236849 and two wood screws 1-1/4 in., No. 12, R. H. B., for 228355
236850	18261	Starting Chain Guide Pulley Bracket (large) complete, Nos. 1064D, 39571, 236849 and two wood screws 1-1/4 in., No. 12, R. H. B., for 228496
249534	17964	Thread (lower) Cutting Blade Carrier Lever Spring
*249538	-----	Pulley (loose) with 200584D, for 249540
249539	17890	" " Bushing, for 249540
249540	17890	Pulley (loose, ball bearing) complete, Nos. 249538, 249539 and 249891
249541	17890	Pulley (tight) Counter Balance, for 249543
249542	17890	Pulley (tight) Counter Balance Rivet, for 249543
249543	17890	Stop Cam Spring Cover with 249541, two each 9780 and 249542
249544	17967	Knife Bar Stop
249545	17967	" " " Retainer Plate
249546	17969	Shuttle Bobbin Case Position Plate, for 249596
249549	17883	Feed Wheel Clutch Roller Carrier, for 249562
249550	17883	Feed Wheel Clutch Roller Carrier Oil- ing Felt, for 249562
249555	17883	Feed Wheel Clutch Disc, for 249562

No.	Plate	Name
249556	17883	Nos. 249556 to 249559, for 249560 Feed Wheel Clutch Disc Locking Plate with 350415C
249557	17883	Feed Wheel Driving Lever Plate
249558	17883	" " " " Washer (felt)
249559	17883	" " " Retaining Clutch
249560	-----	Feed Wheel Clutch (positive) complete, for machines equipped with spring clutch, Nos. 52C, 201724X, 249556 to 249559, 249561, 249562, 249820 and Form 2461w
249561	17883	Feed Wheel Driving Lever Pitman with 23429, 50088C and two 196E, for 249560
249562	17883	Feed Wheel Clutch Disc 249555 with 249549, 249550, 249589, three each 185X, 201897, 255096 and 255097, for 249560
249567	17896	Tension (side of Arm) complete, Nos. 413C, 1560C, 7335, 8238, 23526 and two 2102
249589	17883	Feed Wheel Driving Lever, for 249562 Nos. 249593 to 249595, for 249596
249593	17969	Shuttle Race
249594	17969	" " Plate
249595	17969	" " Position Pin
249596	17969	Shuttle Race complete, Nos. 907E, 2533, 7326, 39969, 249546, 249593, 249594, two each 399D, 452C, 662D, 2532, 249595, 249928 and three 203E
*249597	-----	Shuttle Bobbin Case, for 249599
249599	17969	Shuttle Bobbin Case complete, Nos. 591F, 592E, 2975, 15098, 15141, and 249597, for 262048
249600	17963	Needle Bar Frame Connection Stud (eccentric) for Machine No. 71-30
249631	17881	Face Plate
249656	17967	Knife Bar Disengaging Lever with 1242E
249692	17896	Thread (upper) Guide
249693	17971	Bobbin Winder Thread Leader, for 262053
249734	17902	Guide, for shirt bands
249737	17967	Knife Bar Spring
249749	17901	Clamp Check Holder Adjusting Screw Friction Plate
249753	17885	Clamp Carrier Plate
249820	17970	Wrench, for 249560 and 350415
249831	17964	Thread (lower) Cutting Lever
249845	17884	" " Pull-off Finger
249891	17890	Pulley (loose) Ball Bearing, for 249540
249915	17968	Thread Take-up Lever Link Hinge Pin with 222598
249928	17969	Shuttle Race Oil Packing (felt) for 249596
250408	17903	Machine Rest (high) with 232982 and two wood screws 1 in., No. 12, for 228355 and 228496
255096	17883	Feed Wheel Clutch Roller Spring, for 249562

NUMERICAL LIST OF PARTS

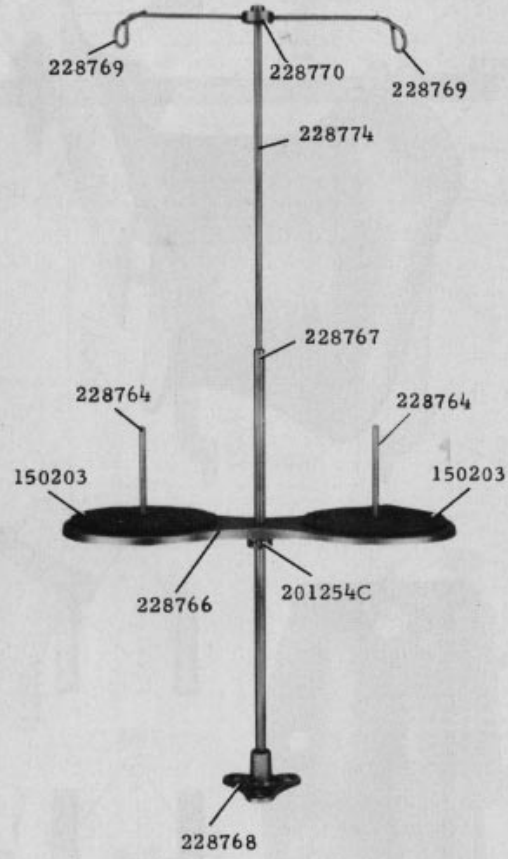
No.	Plate	Name
255097	17883	Feed Wheel Clutch Roller Spring Guide, for 249562
259477	17970	Screw Driver (machine, small)
262034	17971	Bobbin Winder Tension Bracket with 452AL, for 262053
262041	17907	Needle Bar Frame Connection 39643 with 78C and 1226E, in place of 39926, for Machine No. 71-31
262042	17968	Thread Take-up Lever Link, for 262043
262043	17968	Thread Take-up Lever complete, Nos. 23524, 201528F, 262042 and 350553C
262044	17966	Oscillating Rock Shaft Oil Pad, for 39654
262045	17964	Clamp Lifting Arm Stop with 200543XC and 201537X
262048	17969	Shuttle, 1-11/16 in. diam., Nos. 23500, 23503 and 249599
262053	17971	Bobbin Winder Tension Bracket with Rod complete, Nos. 1620J, 5989, 10145, 27922, 249693 and 262034, for 262054
262054	17971	Bobbin Winder (swinging automatic, right hand) complete, Nos. 27915, 27923, 262053 and two 389F
350076C	17882	Clamp Carrier Regulator Stud (to reg- ulate length of buttonhole)
350237C	17883	Feed Wheel Tripping Lever Hinge Screw
350281C	17967	Knife Bar Driving Lever Hinge Screw
350415C	17883	Feed Wheel Clutch Disc Locking Plate Screw, for 249556
350553C	17968	Thread Take-up Lever Adjusting Screw, for 262043
350554C	17965	Tension (top cover) Screw Stud

**SINGER Needles should be used
 in SINGER Machines
 These Needles and their Containers
 are marked with the
 Company's Trade Mark "SIMANCO.**" 1**

**Needles in Containers marked
 "FOR SINGER MACHINES"
 are NOT SINGER made needles. 2**

13537 - 1/6

228776



225390



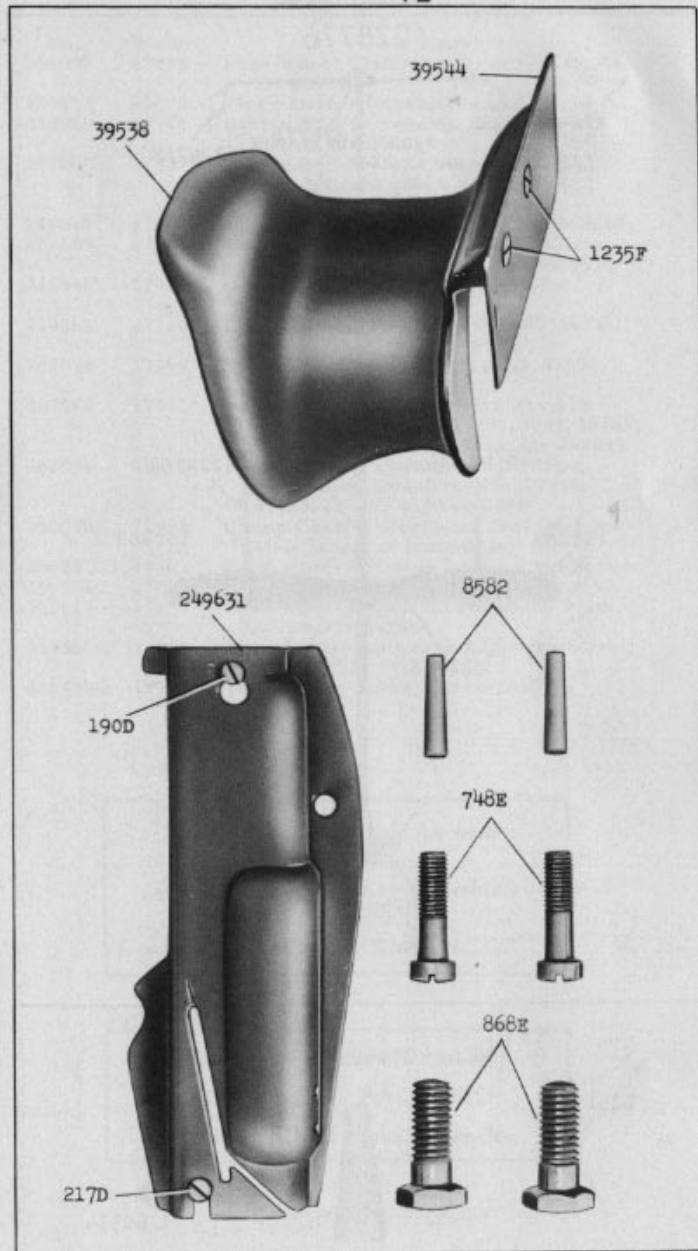
27739

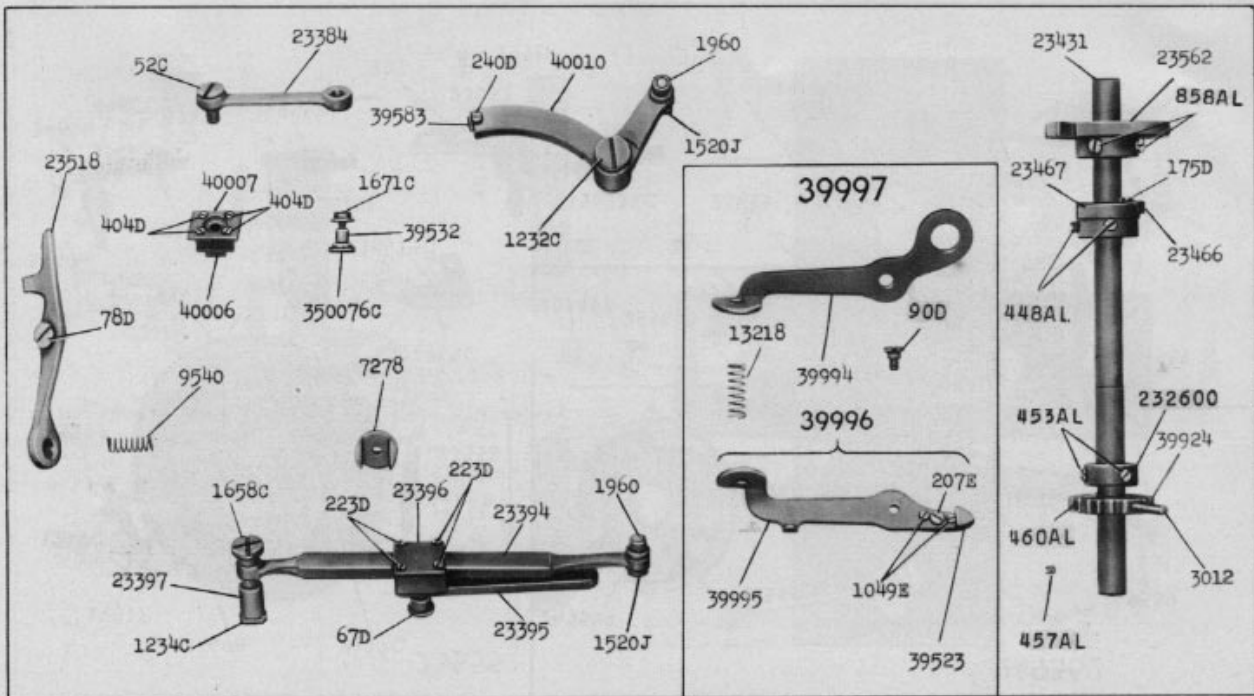


60913



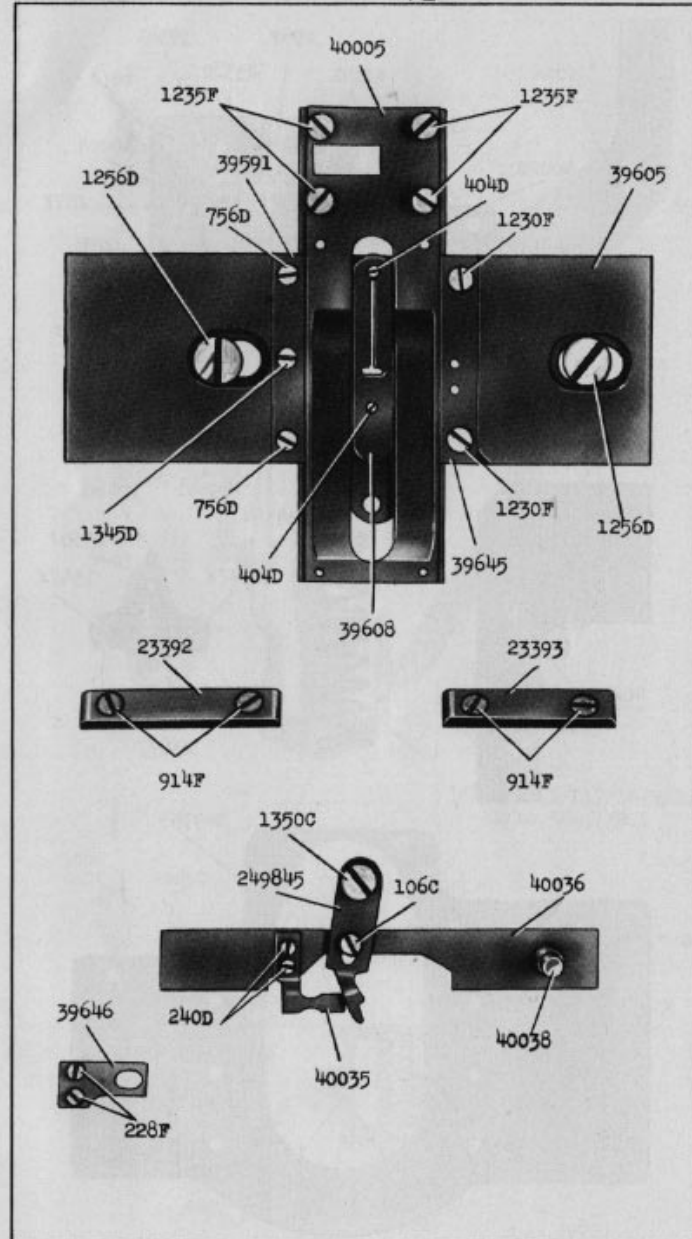
17881 - 1/2



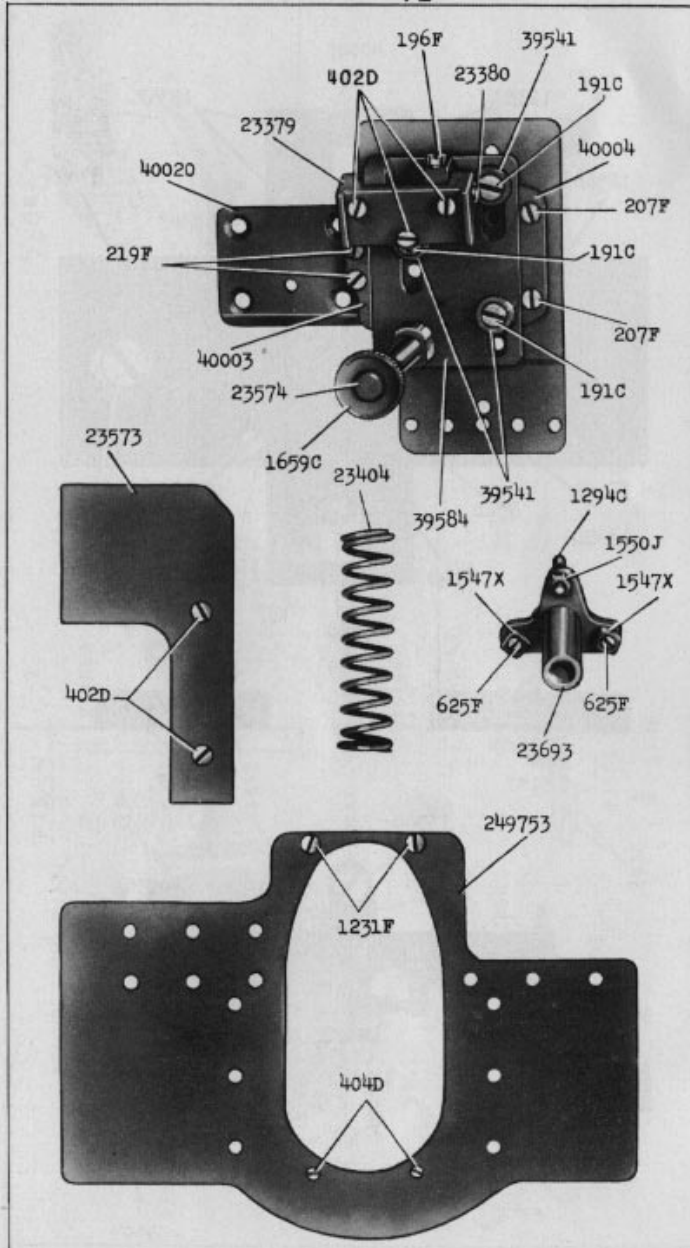


17882 - 1/3

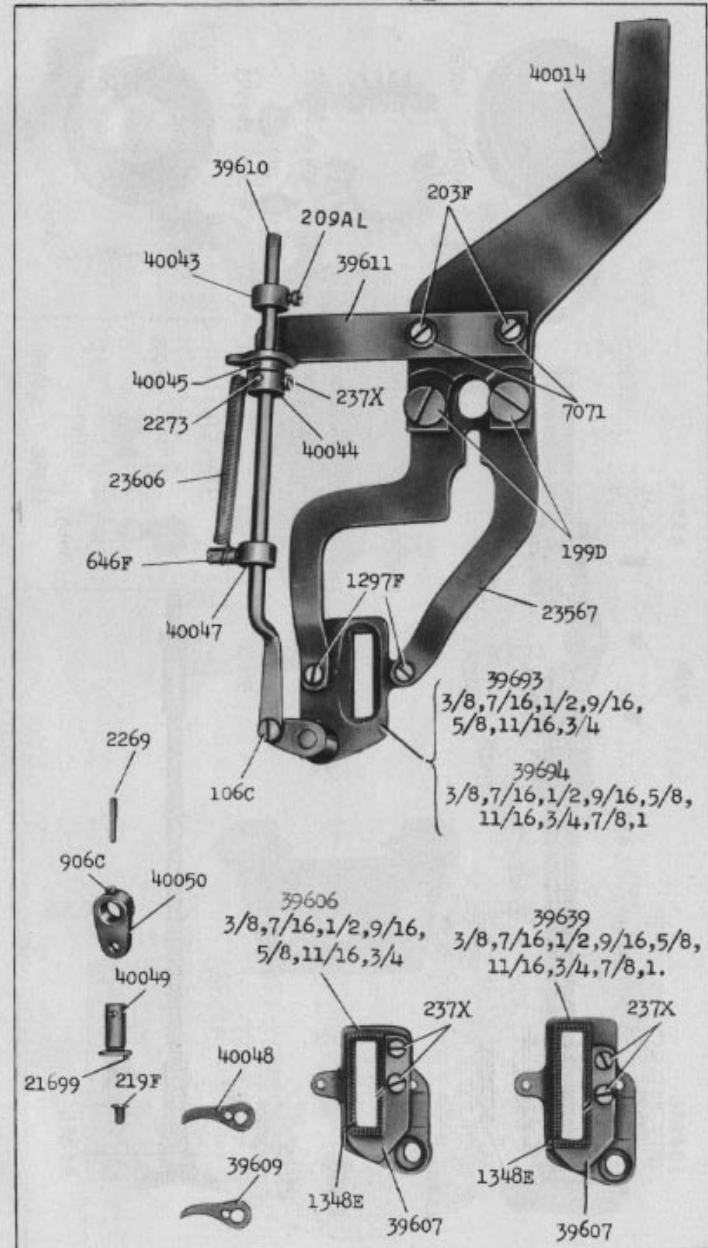
17884 - 1/2

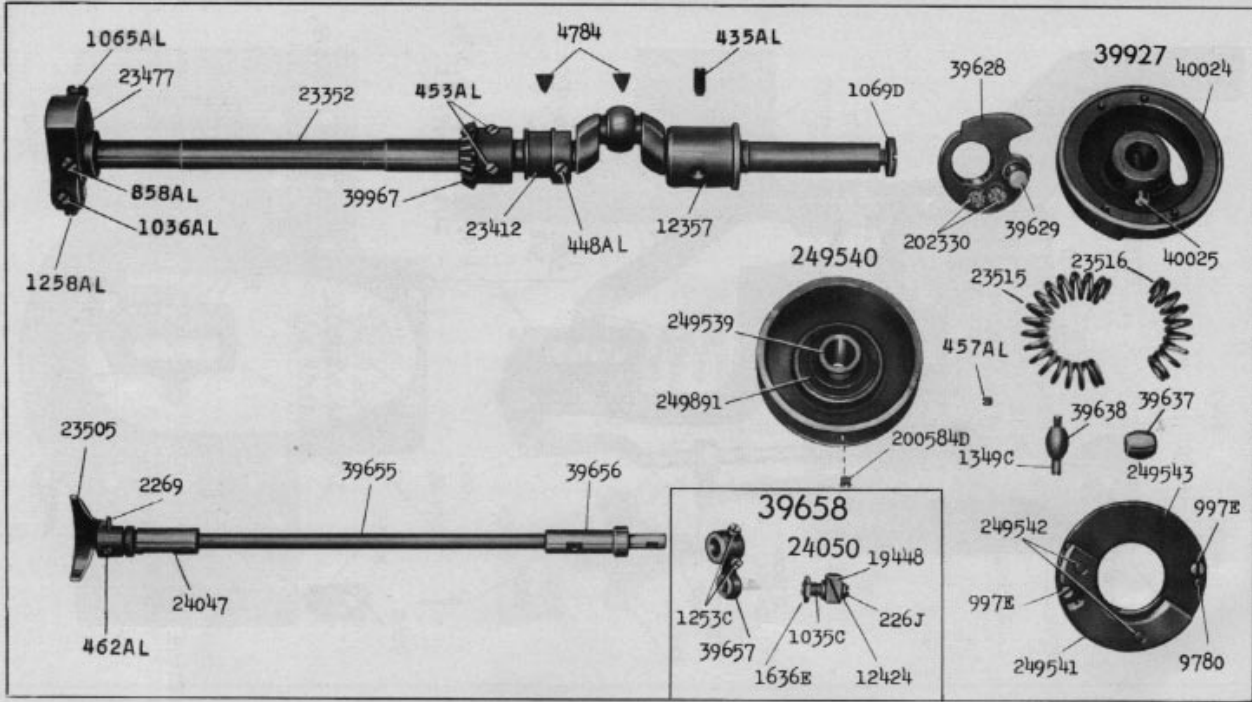


17885 - 1/2



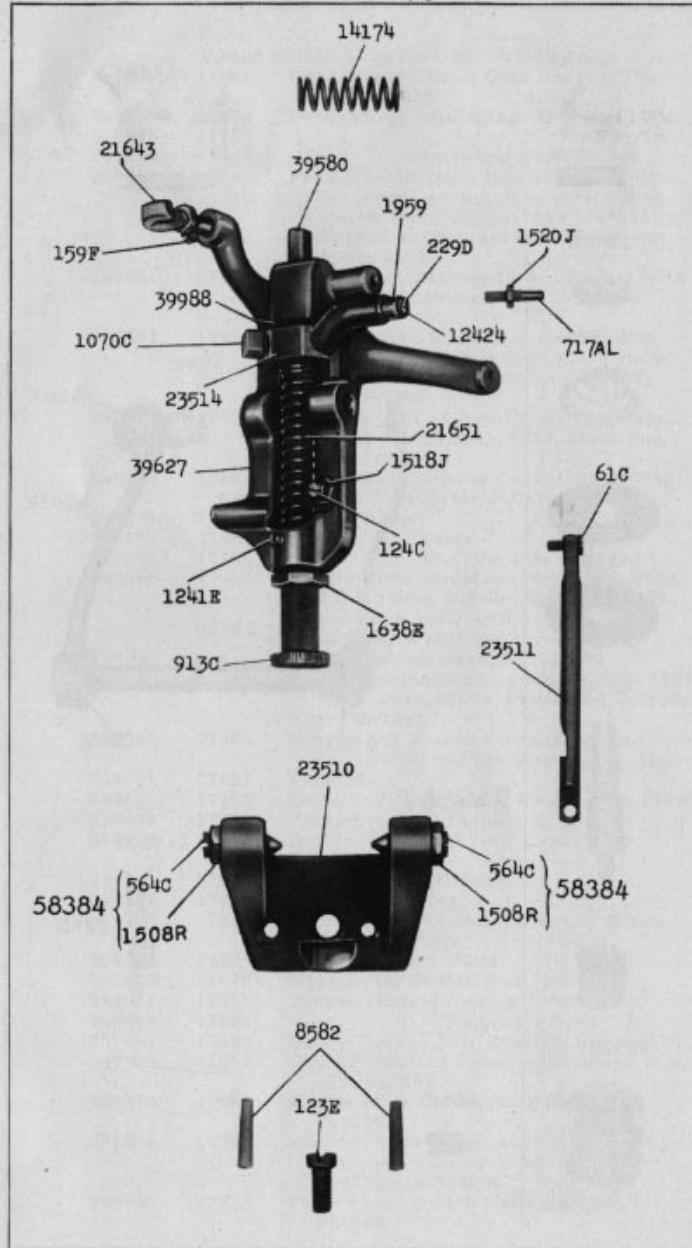
17886 - 1/2



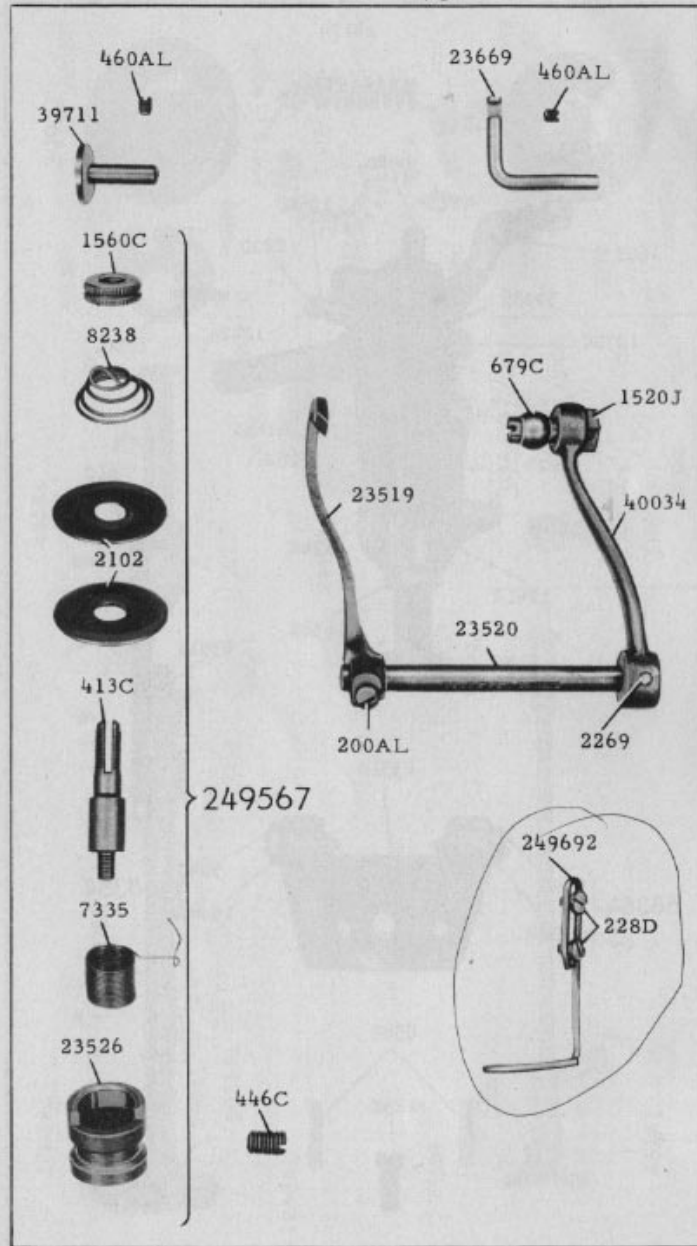


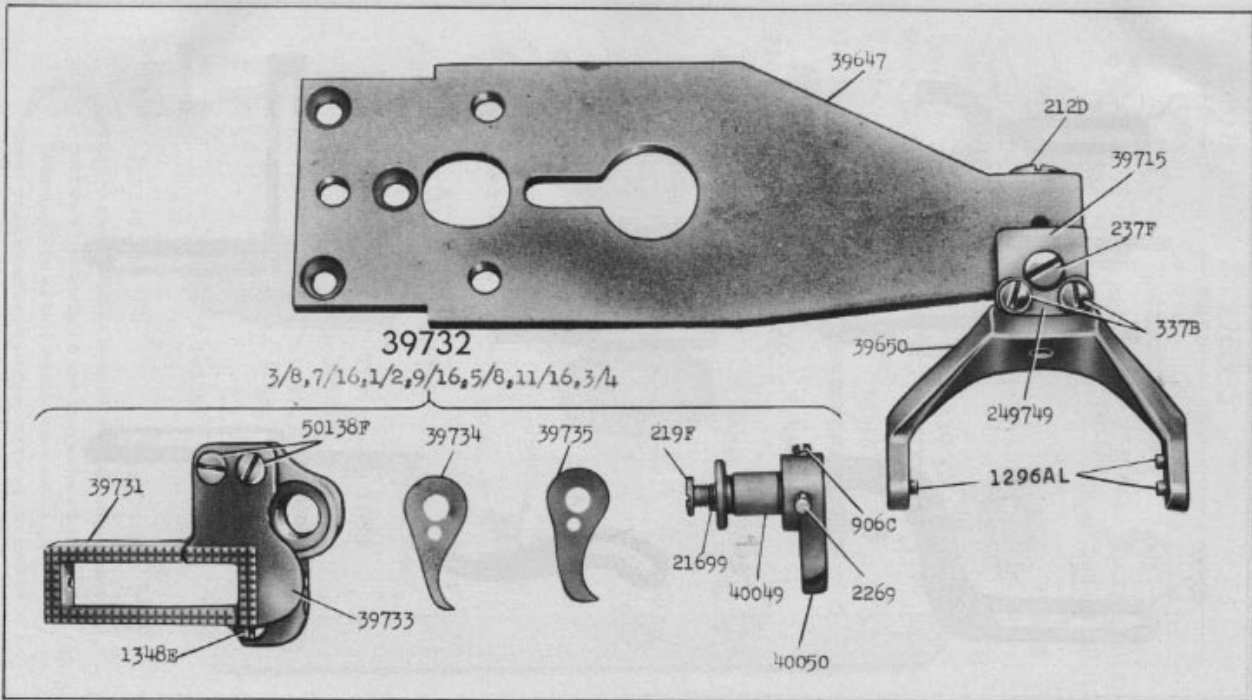
17890 - 1/3

17893 - 1/3



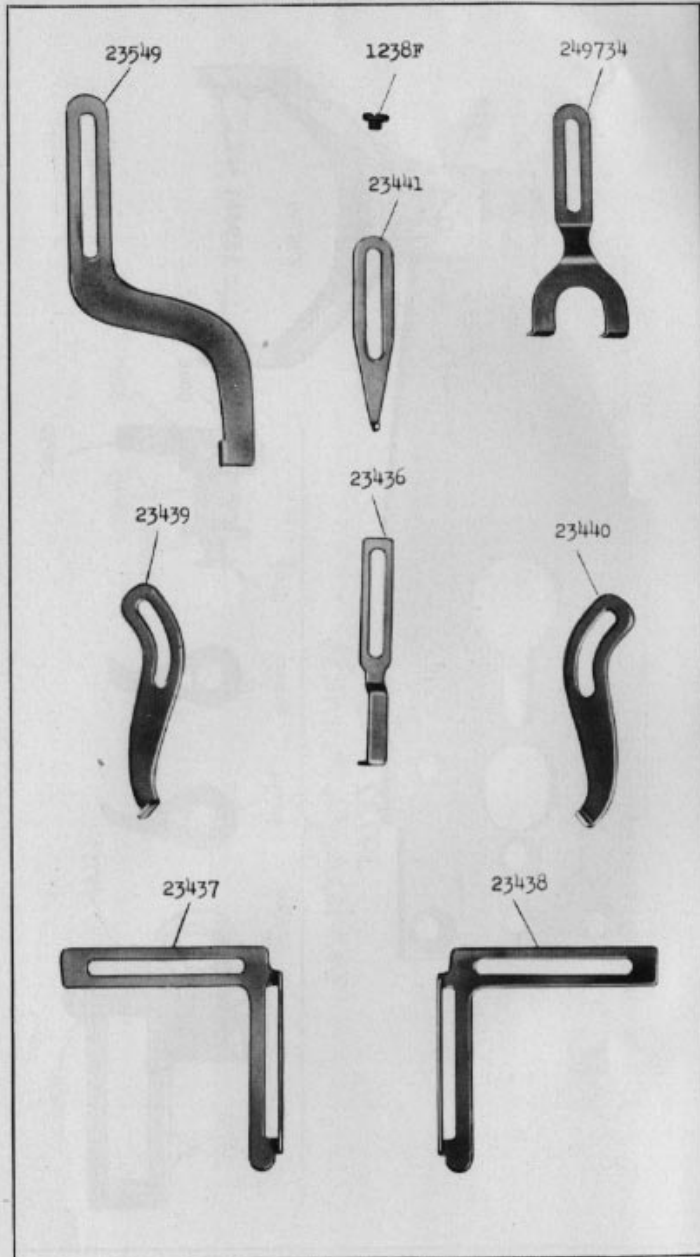
17896 - 2/3



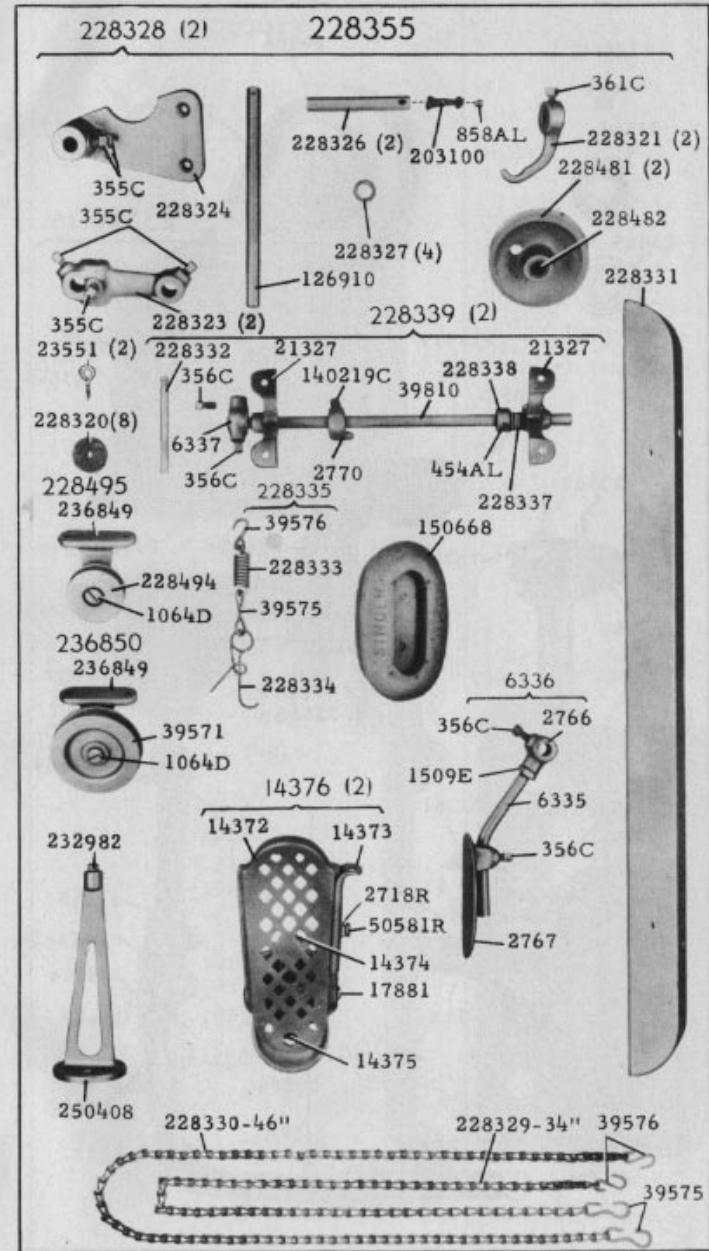


17901

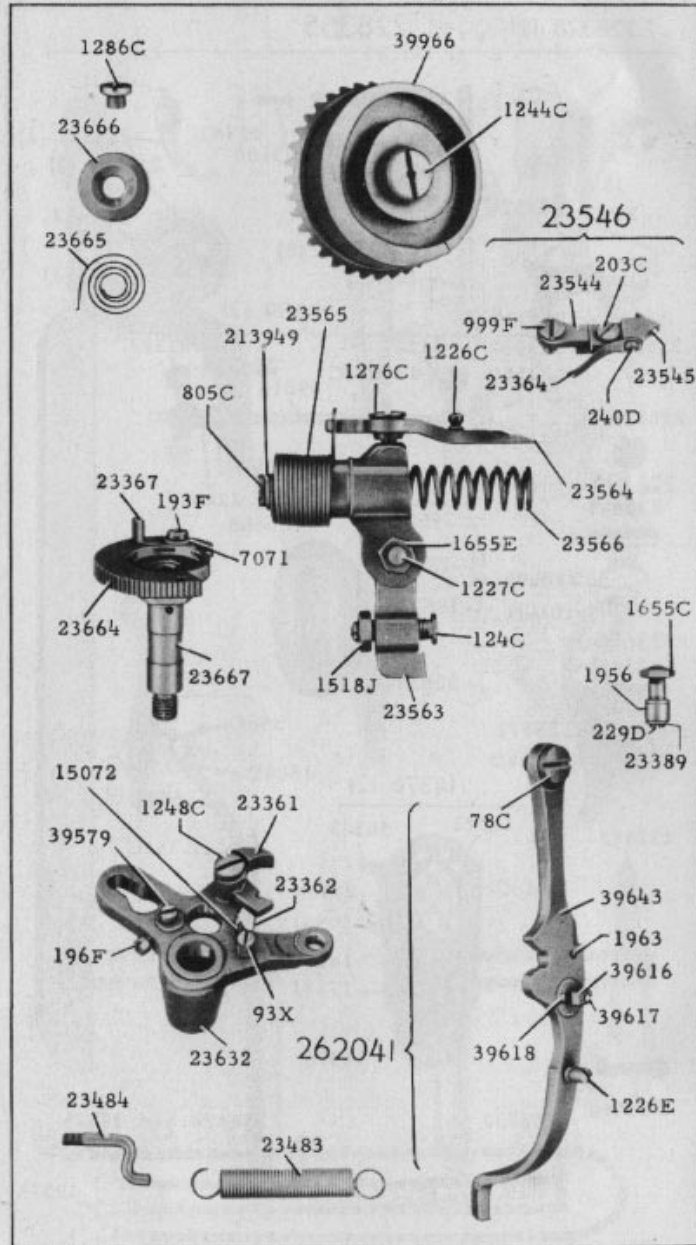
17902 - 1/2



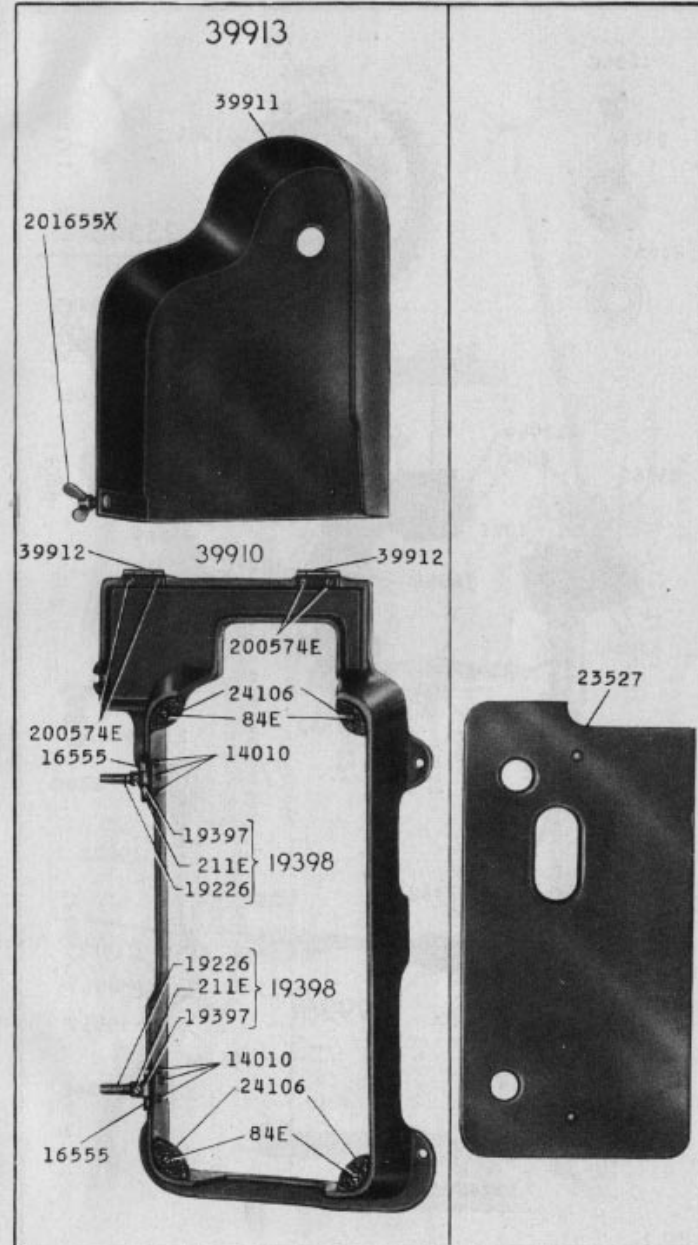
17903 - 1/6



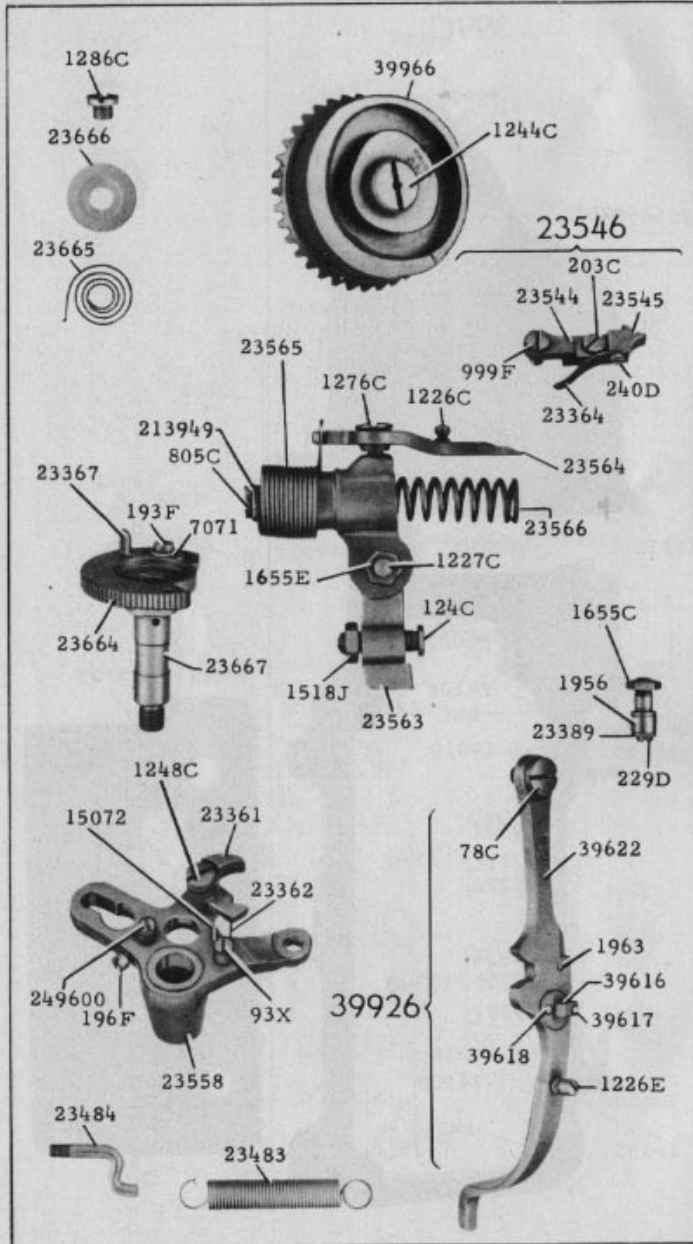
17907 - 1/2

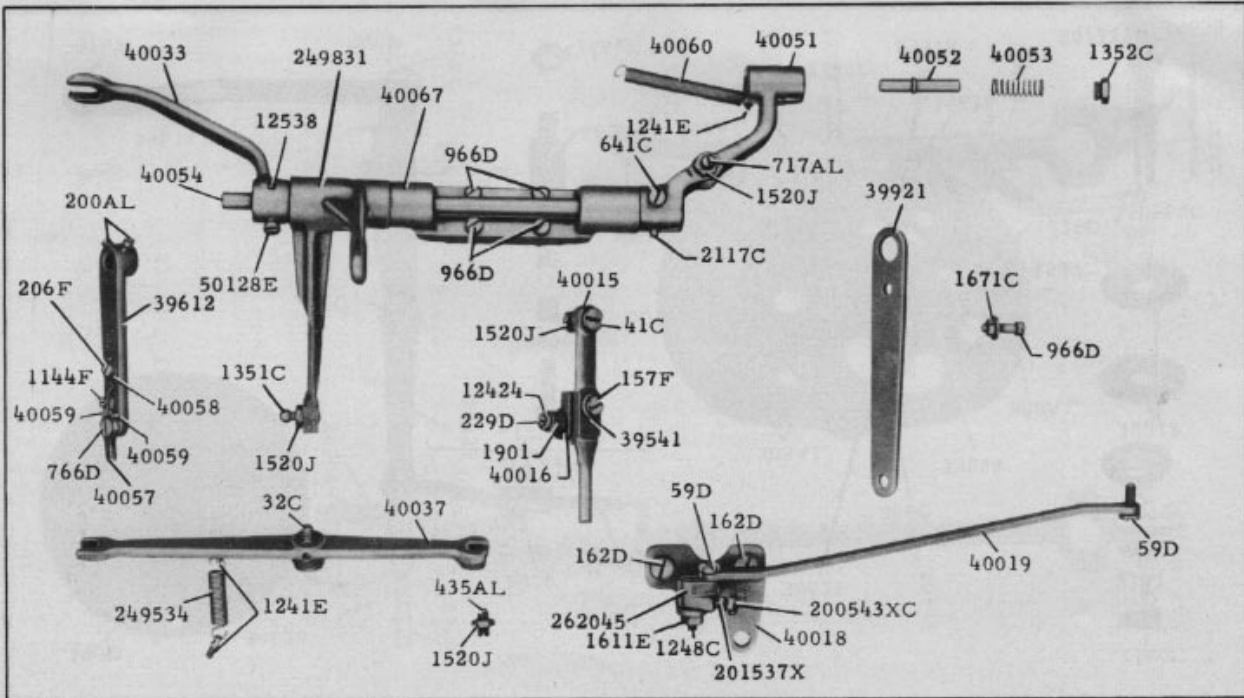


17938 - 1/6

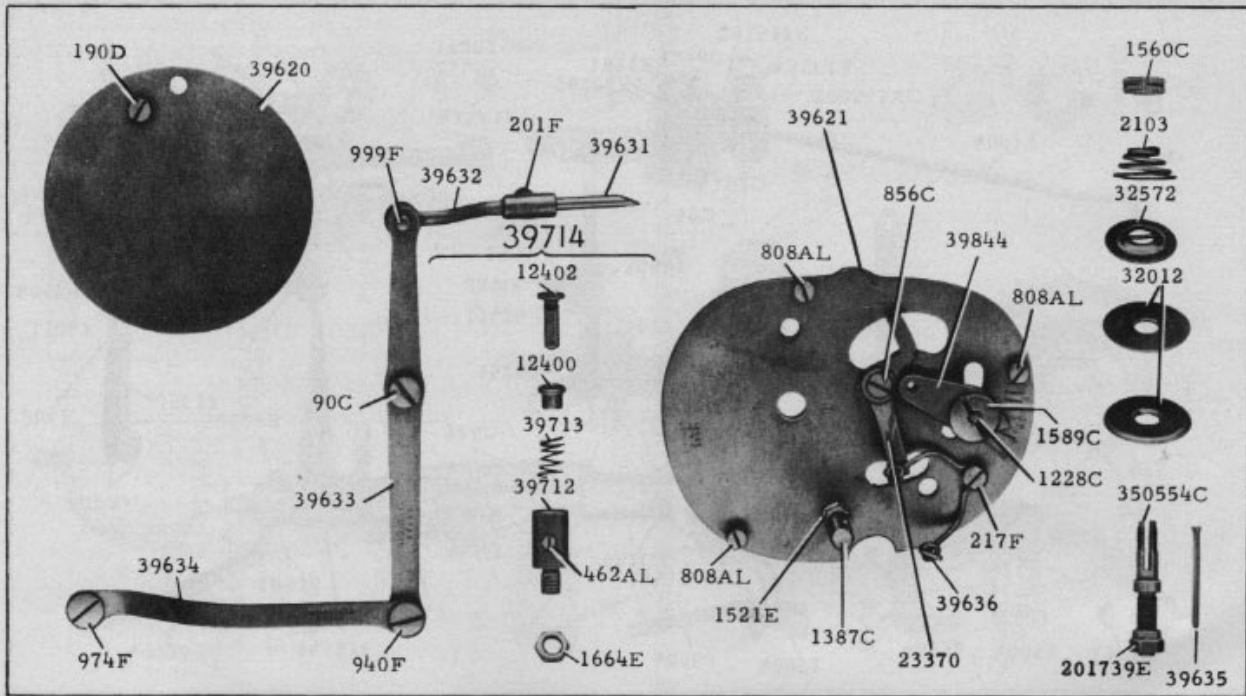


17963 - 1/2



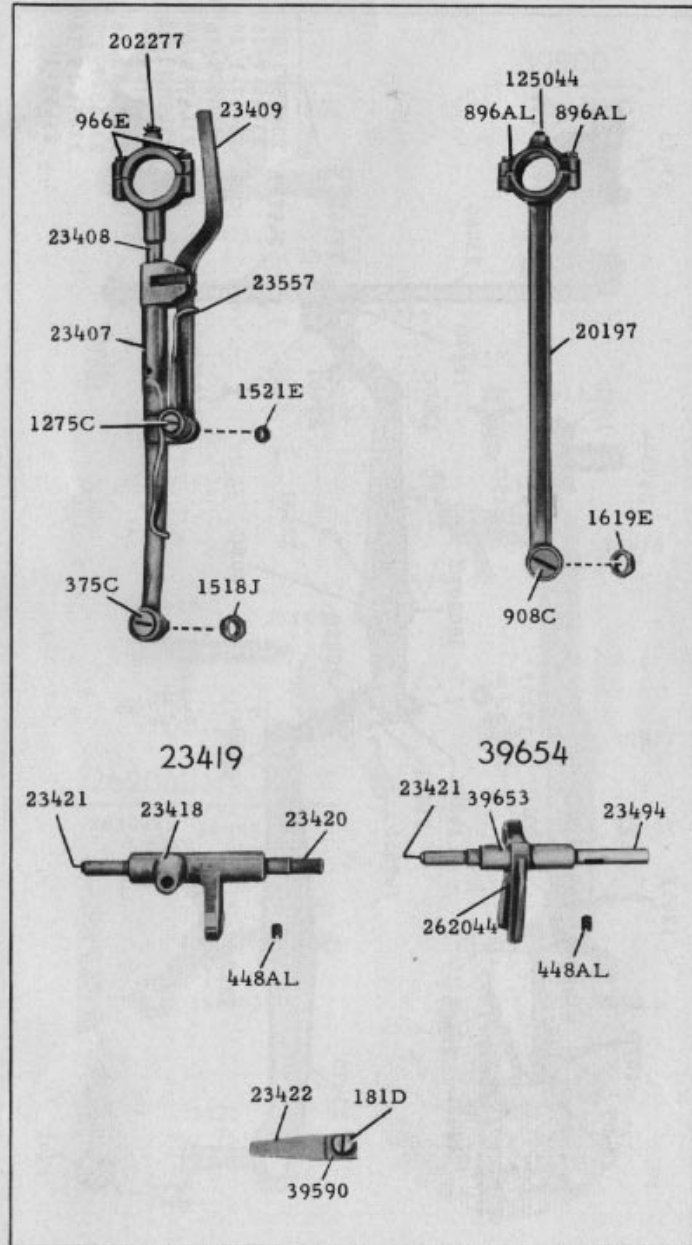


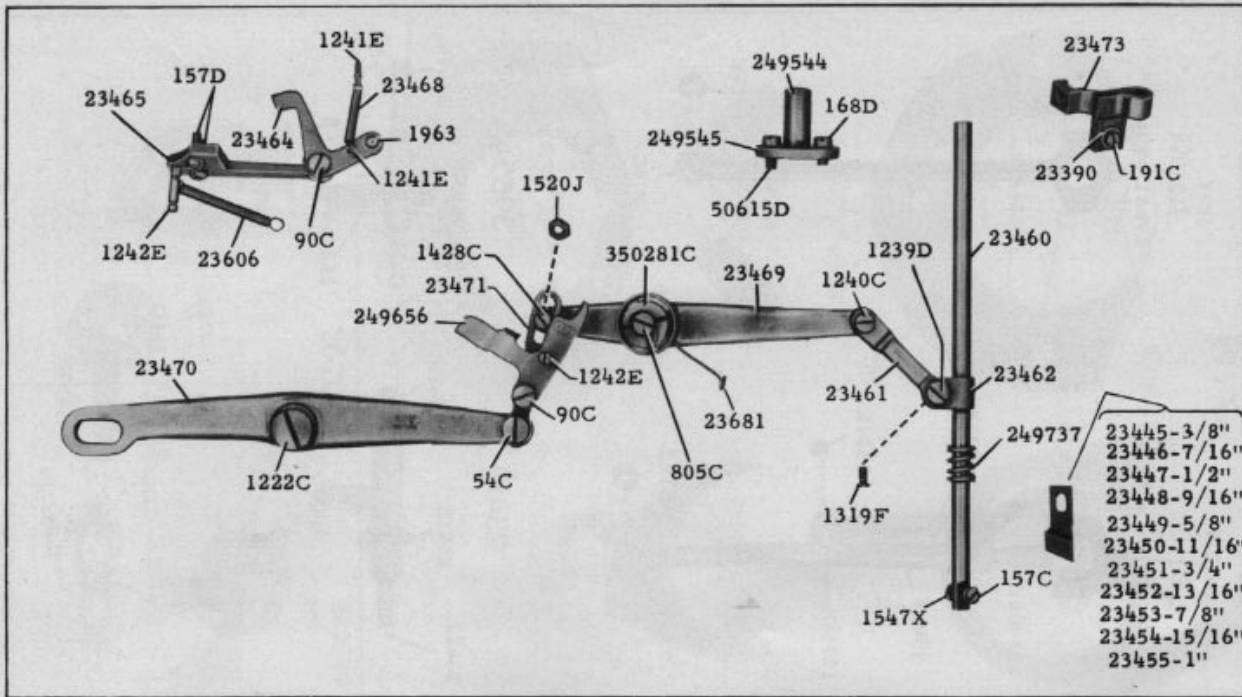
17964 - 1/3



17965 - 1/2

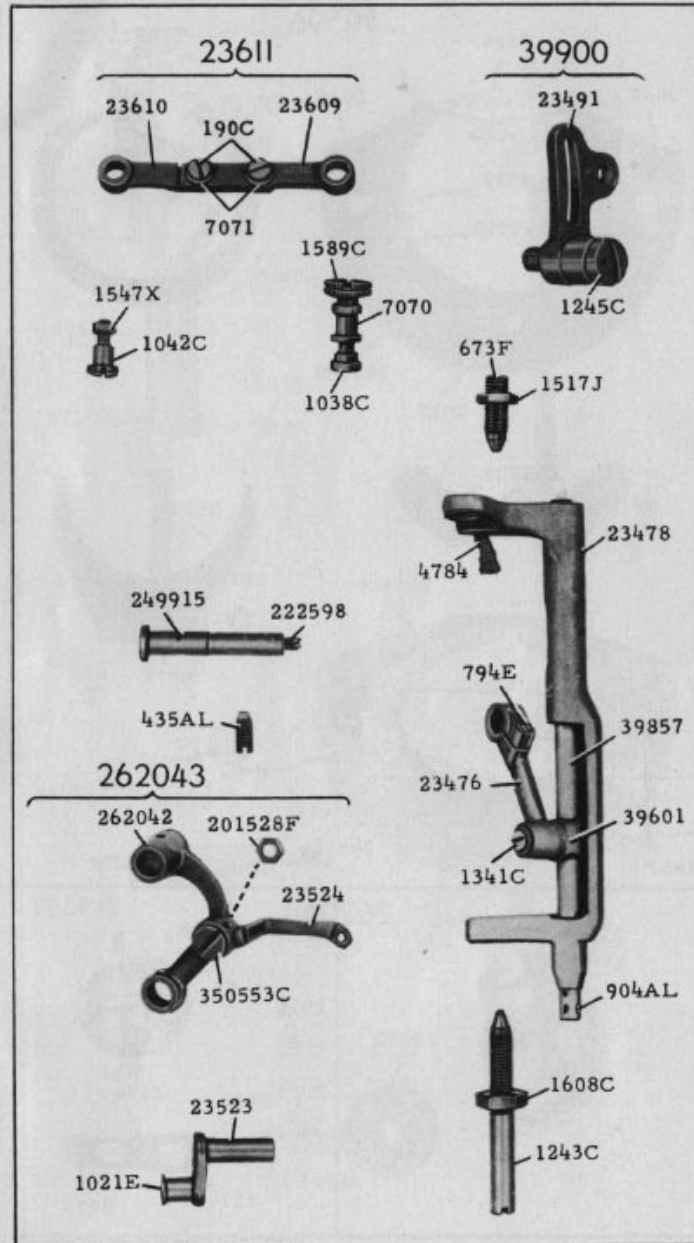
17966 - 1/3



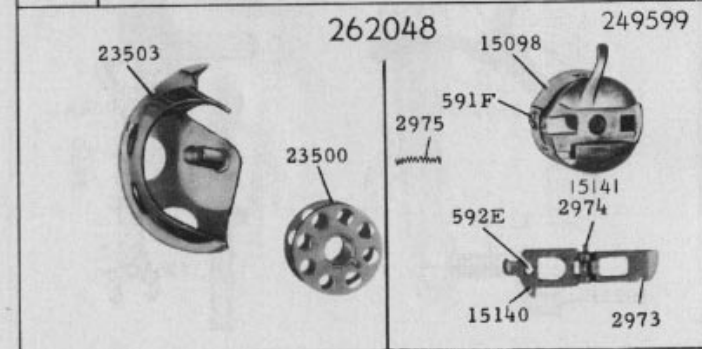
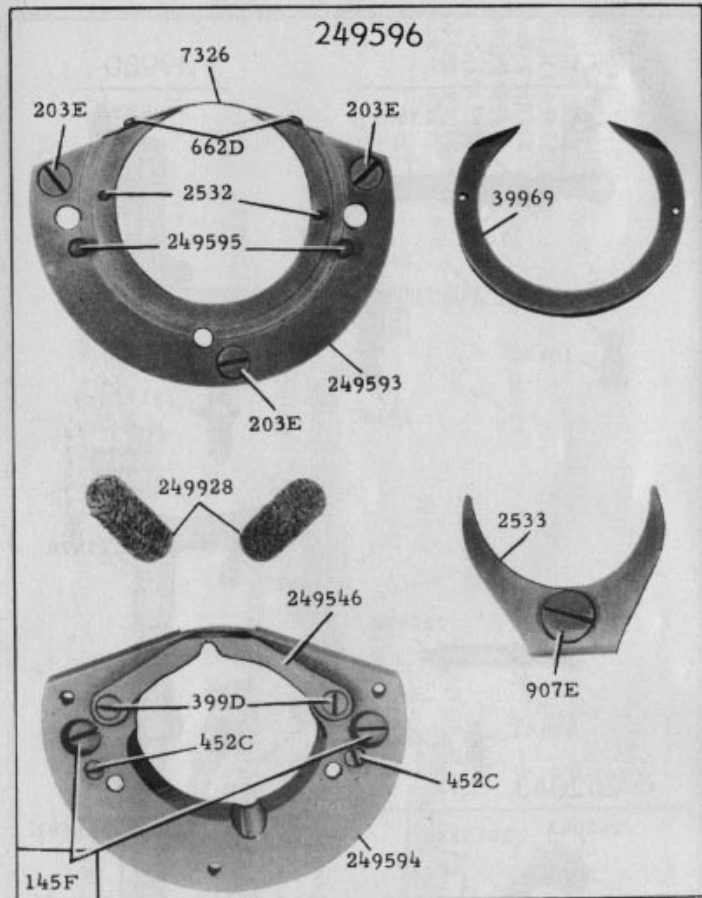


17967 - 1/3

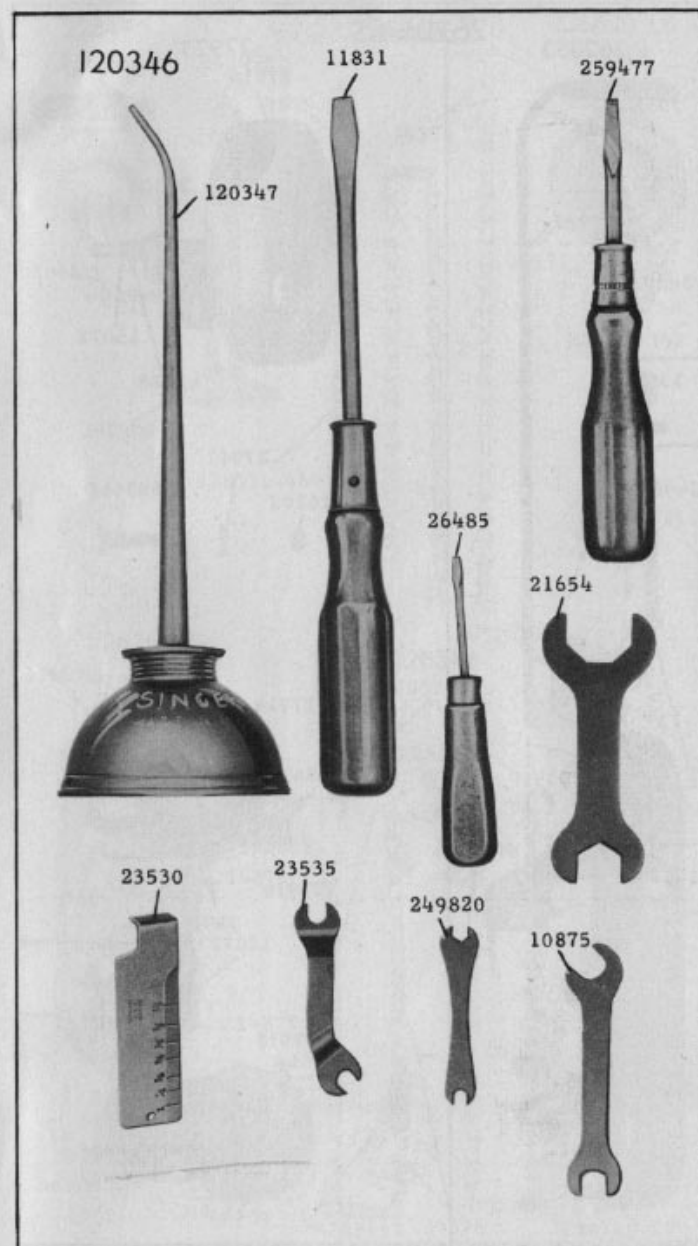
17968 - 1/2



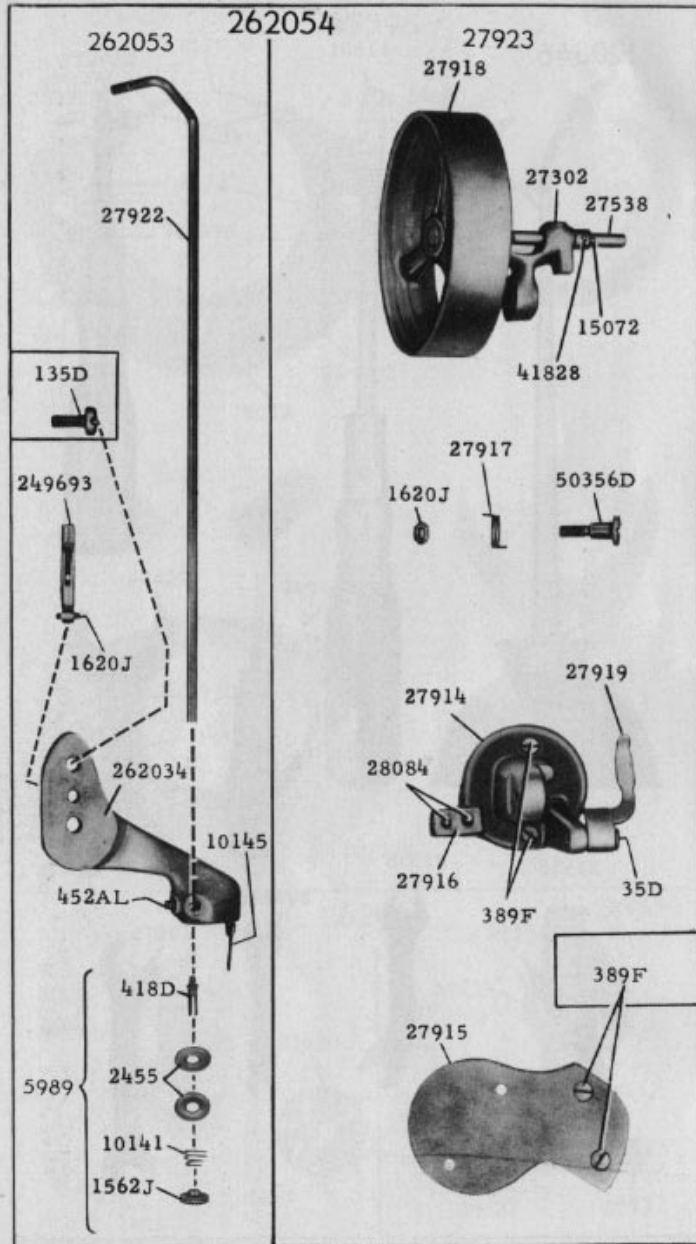
17969 - 2/3



17970 - 1/2



17971 - 1/3



18261 - 1/4

