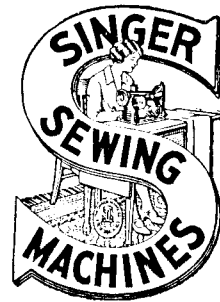


Form 8463 Revised
April, 1930
PRINTED IN U. S. A.

LIST OF PARTS



MACHINES

Nos. 81-3 and 81-4

THE SINGER MANUFACTURING COMPANY

COPYRIGHT, U. S. A., 1916, 1918, 1922, 1923 and 1926
BY THE SINGER MANUFACTURING COMPANY
ALL RIGHTS RESERVED FOR ALL COUNTRIES

INDEX

| | PAGE |
|--------------------------------|------|
| ACCESSORIES | 15 |
| FITTINGS FOR 81-3 MACHINE..... | 16 |
| FOOT LIFTER PARTS | 17 |
| KNIFE GRINDER..... | 18 |
| KNEE LIFTER PARTS..... | 18 |
| MACHINE BASE..... | 19 |
| MACHINE NO. 81-3..... | 7 |
| " " 81-4..... | 14 |
| NUMERICAL LIST OF PARTS..... | 21 |
| OBSOLETE PARTS..... | 20 |
| THREAD UNWINDER..... | 19 |

INSTRUCTIONS FOR ORDERING

In ordering from this list, use **ONLY** the part NUMBER in the **FIRST** column.

The number stamped on a Sewing Machine part is in every case the number of the single part only.

Every combination of parts sent out as such has its specific number, which, although not stamped on the parts, must be used when ordering the combination.

Each number always indicates the **SAME PART** in whatever list it appears, or for whatever machine.

The letters after some of the numbers indicate the style of finish only, as follows:

- A—Hardened, Polished, Nickel Plated and Buffed
- B—Polished, Nickel Plated and Buffed
- C—Hardened Only
- D—Polished Only
- E—Soft, Not Polished
- F—Hardened and Polished
- H—Blued
- J—Nickel Plated Only
- K—Hardened and Nickel Plated
- L—Brass Plated
- M—Oxidized
- N—Japanned, Dull
- P—Japanned, Bright
- R—Merlized
- T—Copper Plated
- T. A.—Hardened, Polished, Copper and Nickel Plated and Buffed
- T. B.—Copper and Nickel Plated and Polished
- T. J.—Copper and Nickel Plated Only
- T. K.—Hardened, Copper and Nickel Plated
- T. M.—Copper Plated and Oxidized
- T. L.—Copper and Brass Plated
- U—Zinc Plated
- V—Silver Plated
- W—Polished and Nickel Plated
- Z—Chromium Plated
- Z. B.—Polished, Nickel Plated, Buffed and Chromium Plated
- Z. J.—Nickel and Chromium Plated

These letters **MUST BE USED** when they appear in the list; and **AFTER** the number **as** in the list.

In this series:

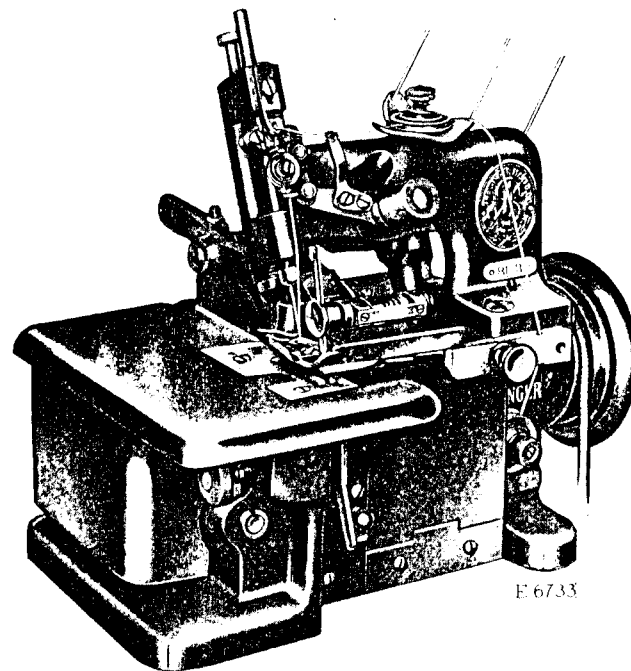
- 1 to 1500 and 50001 to 51500 are Screw Numbers
- 1501 to 1800 and 51501 to 51800 are Nut Numbers
- 1801 to 2000 and 51801 to 52000 are Roller Numbers
- 2001 to 50000 and 52001 and upward are numbers of Machine Parts

The figures in the second column refer only to the plates, illustrating the parts, and are **NOT TO BE USED** in ordering.

Parts marked with an asterisk (*) are furnished only when repairs are made at factory.

LIST OF PARTS COMPLETE

FOR



E 6733

MACHINE No. 81-3

FOR TRIMMING, OVEREDGING AND CLOSING SEAMS IN KNIT GOODS. HAS AUXILIARY FEED TO PREVENT FULLING OR "BELLING" THE EDGES WHILE STITCHING. BIGHT ADJUSTABLE FROM $\frac{1}{8}$ INCH TO $\frac{3}{16}$ INCH. TWO THREAD STITCH. FOOT LIFTER.

| NO. | PLATE | NAME |
|--------|-------|---|
| *42484 | — | Arm with two each 462c, 624c, 42253 and 42487..... |
| 4389 | 5585 | Arm Dowel Pin..... |
| 949E | 5587 | " Screw..... |
| 42001 | 5576 | Balance Wheel, $2\frac{3}{16}$ in. pulley, with 424c and 1354c..... |
| 1354c | 5587 | Balance Wheel Position Screw..... |
| 424c | 5587 | " " Set Screw..... |

| NO. | PLATE | NAME |
|--------|-------|--|
| 42145 | 5577 | Cloth Plate..... |
| 42003 | 5577 | “ “ Extension (lower)..... |
| 229E | 5587 | “ “ “ “ Screw..... |
| 42108 | 5577 | “ “ “ (upper)..... |
| 229E | 5587 | “ “ “ “ Screw..... |
| 42005 | 5577 | “ “ Lock Spring..... |
| 236C | 5587 | “ “ “ “ Screw..... |
| 42146 | — | Cloth Plate complete, Nos. 42003, 42005, 42108, 42145, two 236c and five 229E.. |
| 1437D | 5587 | Cloth Plate Hinge Screw..... |
| 1655E | 5587 | “ “ “ “ Nut..... |
| 42147 | 5557 | Feed (back) Bar..... |
| 61C | 5557 | “ “ “ Hinge Screw..... |
| 42148 | 5557 | “ “ Connecting Link..... |
| 1132C | 5557 | “ “ “ “ Hinge Screw |
| 42149 | 5533 | “ “ Dog, 3 teeth (16 teeth to the inch)..... |
| 203D | 5587 | Feed (back) Dog Screw..... |
| 42150 | 5557 | “ “ Regulator..... |
| 1132C | 5557 | “ “ “ Hinge Screw..... |
| 190B | 5557 | “ “ “ Set Screw..... |
| 1444C | 5557 | “ “ “ Thumb Screw.... |
| 42151 | 5557 | “ (front) Bar with 1253c..... |
| 42007 | 5578 | “ “ “ Hinge Pin..... |
| 1253C | 5587 | “ “ “ “ “ Set Screw... |
| 42008 | 5578 | “ “ Connecting Rod with 42009 and two 1057E..... |
| *42009 | — | Feed (front) Connecting Rod Cap..... |
| 1057E | 5578 | “ “ “ “ “ Screw..... |
| 1373C | 5578 | “ “ “ “ “ Hinge Screw |
| 1520C | 5578 | “ “ “ “ “ “ “ Nut..... |
| 42152 | 5533 | Feed (front) Dog, 17 teeth (16 teeth to the inch)..... |
| 190B | 5557 | Feed (front) Dog Screw..... |
| 42011 | 5578 | “ “ Eccentric with two 453c.... |
| 42153 | 5577 | “ “ “ Cover..... |
| 207D | 5587 | “ “ “ “ “ Screw..... |
| 453C | 5578 | “ “ “ “ “ Set Screw..... |
| 42012 | 5578 | “ “ Lifting Eccentric with two 462c..... |
| 42013 | 5578 | Feed (front) Lifting Eccentric Connection |
| 462C | 5544 | “ “ “ “ “ Set Screw..... |
| 1374C | 5578 | “ “ Regulating Screw Stud..... |
| 1680C | 5578 | “ “ “ “ “ Nut..... |
| 42290 | 5578 | Feed (front) Regulating Screw Stud Washer..... |

| NO. | PLATE | NAME |
|--------|-------|--|
| 42014 | 5579 | Feed (front) Regulator with 233D and two 1259c..... |
| 42015 | 5578 | Feed (front) Regulator Connection with 1012E..... |
| 1012E | 5578 | Feed (front) Regulator Connection Ad- justing Screw..... |
| 1373C | 5578 | Feed (front) Regulator Connection Hinge Screw..... |
| 1520C | 5578 | Feed (front) Regulator Connection Hinge Screw Nut..... |
| 42016 | 5579 | Feed (front) Regulator Hinge Stud..... |
| 42017 | 5580 | “ “ “ “ Indicator..... |
| 42018 | 5580 | “ “ “ “ “ Plate |
| 337D | 5580 | “ “ “ “ “ “ Screw..... |
| 207D | 5587 | Feed (front) Regulator Indicator Screw... |
| 1259C | 5579 | “ “ “ “ “ Set Screw..... |
| 233D | 5579 | “ “ “ “ “ Stop Screw..... |
| 42154 | 5557 | “ “ “ Rock Shaft..... |
| 42155 | — | Feed (front) Rock Shaft complete, Nos. 42021 and 42154..... |
| 42021 | 5578 | Feed (front) Rock Shaft Crank with 157E |
| 157E | 5578 | “ “ “ “ “ “ Clamping Screw..... |
| 42098 | 5579 | Feed (front) Rock Shaft Hinge Pin..... |
| 42079 | 5579 | “ “ “ “ “ “ “ Bush- ing..... |
| 1036C | 5579 | Feed (front) Rock Shaft Hinge Pin Bush- ing Set Screw..... |
| *42022 | — | Frame..... |
| 42023 | 5576 | “ Rotary Shaft..... |
| 42024 | 5576 | “ “ “ “ Bushing (front)..... |
| 1036C | 5579 | “ “ “ “ “ “ “ Set Screw..... |
| 42025 | 5579 | Frame Rotary Shaft Crank with 1259c and 1375c..... |
| 1375C | 5579 | Frame Rotary Shaft Crank Position Screw |
| 1259C | 5579 | “ “ “ “ “ “ Set Screw.... |
| 42026 | 5576 | “ “ “ “ Flanged Bushing (back) with 54967..... |
| 54967 | 5585 | Frame Rotary Shaft Flanged Bushing (back) Oil Pad (braided cotton)..... |
| 1036C | 5579 | Frame Rotary Shaft Flanged Bushing (back) Set Screw..... |
| 42367 | 5585 | Frame Rotary Shaft Front Bearing Oil Pad (braided cotton)..... |

| NO. | PLATE | NAME | |
|---|-------|---|--|
| 42027 | 5577 | Frame Side Cover (left) with 19045..... | |
| 19045 | 5585 | " " " " Handle..... | |
| 330W | 5587 | " " " " Screw..... | |
| 42028 | 5577 | " " " (right) hinged..... | |
| 42101 | 5580 | " " " " Lock Spring... | |
| 330W | 5587 | " " " " Screw..... | |
| 42029 | 5576 | " Top Cover..... | |
| 42030 | 5580 | " " " Extension..... | |
| 42102 | 5582 | " " " " Holder | |
| 283W | 5582 | " " " " " | |
| | | Thumb Screw..... | |
| 2749 | 5582 | Frame Top Cover Extension Holder | |
| | | Thumb Screw Washer..... | |
| 176D | 5580 | Frame Top Cover Extension Screw..... | |
| 742F | 5587 | " " " Screw..... | |
| 42111 | 5581 | Knife (movable)..... | |
| NOTE: Two 42111 are sent with this machine. | | | |
| 42112 | 5581 | Knife (movable) Gib..... | |
| 42035 | 5581 | " " Holder..... | |
| 42113 | --- | " " " 42035 with 133F, | |
| | | 42037, 42040, 42112 and two 404D.... | |
| 42037 | 5581 | Knife (movable) Holder Cap..... | |
| 404D | 5581 | " " " " Screw..... | |
| 42038 | 5581 | " " " Guide with 336F. | |
| 42039 | 5581 | " " " " Plate.... | |
| 621D | 5581 | " " " " " Screw | |
| 336F | 5581 | " " " " Set Screw.. | |
| 133F | 5581 | " " " Screw..... | |
| 42040 | 5581 | " " " " Extension | |
| | | Pin..... | |
| 42041 | 5581 | Knife (movable) Holder Spring..... | |
| 42042 | 5581 | " " Lever..... | |
| 42043 | 5581 | " " " Connection with | |
| | | 42044 and two 175E..... | |
| *42044 | --- | Knife (movable) Lever Connection Cap | |
| 175E | 5581 | " " " " " " | |
| | | Screw..... | |
| 1373C | 5578 | Knife (movable) Lever Connection Hinge | |
| | | Screw..... | |
| 1520C | 5578 | Knife (movable) Lever Connection Hinge | |
| | | Screw Nut..... | |
| 42045 | 5582 | Knife (movable) Lever Hinge Stud..... | |
| 1229C | 5586 | " " " " " Set | |
| | | Screw..... | |
| 42046 | 5580 | Knife (stationary) with 42049..... | |

NOTE: Two No. 42046 are sent with this machine.

| NO. | PLATE | NAME | |
|--------|-------|--|--|
| 42048 | 5581 | Knife (stationary) Clamping Stud..... | |
| 1534W | 5581 | " " " " Thumb | |
| | | Nut..... | |
| 42156 | 5580 | Knife (stationary) Holder..... | |
| 1376C | 5587 | " " " Regulating | |
| | | Thumb Screw..... | |
| 1101C | 5587 | Knife (stationary) Holder Screw..... | |
| 440F | 5580 | " " " Stop Screw.... | |
| 1547J | 5584 | " " " " " Nut | |
| 42049 | 5580 | " " Stud..... | |
| 42114 | 5582 | Looper (left hand)..... | |
| 42051 | 5579 | " " " Lever with 209H..... | |
| 42052 | 5579 | " " " " Connecting Link | |
| 50562C | 7396 | " " " " " | |
| | | Hinge Screw..... | |
| 1520C | 5578 | Looper (left hand) Lever Connecting Link | |
| | | Hinge Screw Nut..... | |
| 42053 | 5579 | Looper (left hand) Lever Hinge Stud.... | |
| 1036C | 5579 | " " " " " " Set | |
| | | Screw..... | |
| 209H | 5579 | Looper (left hand) Set Screw..... | |
| 42166 | 5582 | " (right hand)..... | |
| 42073 | 5582 | " " " and Spreader Lever | |
| | | with 1259C..... | |
| 42074 | 5582 | Looper (right hand) and Spreader Lever | |
| | | Ball Stud..... | |
| 1259C | 5579 | Looper (right hand) and Spreader Lever | |
| | | Ball Stud Set Screw..... | |
| 42075 | 5582 | Looper (right hand) and Spreader Lever | |
| | | Connection with 42059, 42076 and four | |
| | | 896E..... | |
| *42076 | --- | Looper (right hand) and Spreader Lever | |
| | | Connection Cap (lower)..... | |
| 896E | 7396 | Looper (right hand) and Spreader Lever | |
| | | Connection Cap (lower) Screw..... | |
| *42059 | --- | Looper (right hand) and Spreader Lever | |
| | | Connection Cap (upper)..... | |
| 896E | 7396 | Looper (right hand) and Spreader Lever | |
| | | Connection Cap (upper) Screw..... | |
| 42077 | 5584 | Looper (right hand) and Spreader Lever | |
| | | Connection Guide..... | |
| 171F | 5544 | Looper (right hand) and Spreader Lever | |
| | | Connection Guide Screw..... | |
| 42106 | 5584 | Looper (right hand) and Spreader Lever | |
| | | Connection Oil Tube and Bracket with | |
| | | 29599..... | |

| NO. | PLATE | NAME |
|--------|-------|---|
| 29599 | 5584 | Looper (right hand) and Spreader Lever Connection Oil Tube Packing (felt).... |
| 42078 | 5584 | Looper (right hand) and Spreader Lever Hinge Pin..... |
| 42079 | 5579 | Looper (right hand) and Spreader Lever Hinge Pin Bushing..... |
| 1259c | 5579 | Looper (right hand) and Spreader Lever Hinge Pin Bushing Set Screw..... |
| 197D | 5582 | Looper (right hand) Screw..... |
| 42054 | 5544 | Needle Bar..... |
| 42253 | 5544 | " " Bushing..... |
| 462c | 5544 | " " " Set Screw..... |
| 42061 | 5544 | " " Connecting Bracket with 187D and 223F..... |
| 187D | 5544 | Needle Bar Connecting Bracket Clamping Screw..... |
| 42055 | 5544 | Needle Bar Connecting Link..... |
| 40247 | 5544 | " " " " Hinge Pin |
| 223F | 5544 | " " " " " " |
| | | Set Screw for 42061..... |
| 904c | 5544 | Needle Bar Connecting Link Hinge Pin Set Screw for 42104..... |
| 42057 | 5544 | Needle Bar Connecting Rod with 42059, 42076 and four 896E..... |
| *42076 | — | Needle Bar Connecting Rod Cap (lower) |
| 896E | 7396 | " " " " " " |
| | | Screw..... |
| *42059 | — | Needle Bar Connecting Rod Cap (upper) |
| 896E | 7396 | " " " " " " |
| | | Screw..... |
| 42077 | 5584 | Needle Bar Connecting Rod Guide..... |
| 171F | 5544 | " " " " " Screw |
| 42103 | 5544 | " " Crank (back) with 1258c and two 1259c..... |
| 42074 | 5582 | Needle Bar Crank (back) Ball Stud..... |
| 1259c | 5579 | " " " " " " Set Screw..... |
| 1259c | 5579 | Needle Bar Crank (back) Position Screw. |
| 1258c | 5544 | " " " " " Set Screw..... |
| 42104 | 5544 | " " " (front) with 904c, 1258c and 1259c..... |
| 1259c | 5579 | Needle Bar Crank (front) Position Screw |
| 1258c | 5544 | " " " " " Set Screw..... |
| 42105 | 5544 | " " " Shaft..... |
| 42487 | 7396 | " " " " Bushing..... |
| 624c | 7396 | " " " " " Set Screw |

| NO. | PLATE | NAME |
|-------|-------|---|
| 42115 | 5544 | Needle Bar Thread Retainer Bracket |
| 228D | 5544 | " " " " " " |
| | | Screw..... |
| 42483 | 7396 | Needle Bar Thread Retainer Disc..... |
| 93c | 5544 | " " " " " Screw..... |
| 10107 | 5544 | " " " " " Spring..... |
| 1728c | 5544 | " Clamping Nut..... |
| 42066 | 5544 | " Guard..... |
| 171F | 5544 | " " Screw..... |
| 42157 | — | Presser Foot Body..... |
| 42158 | 5599 | " " Chaining-off Finger (narrow bight)..... |
| 42190 | 5599 | Presser Foot Chaining-off Finger (wide bight)..... |
| 42288 | 5599 | Presser Foot Chaining-off Finger for $\frac{1}{8}$ in. bight..... |
| 233D | 5579 | Presser Foot Chaining-off Finger Screw.. |
| 9320 | 5585 | " " Hinge Pin..... |
| 42159 | — | " " Plate..... |
| 14058 | 5585 | " " Spring..... |
| 42160 | 5585 | " " " Adjusting Pin..... |
| 464c | 5587 | " " " " " Set Screw..... |
| 42161 | 5599 | Presser Foot (spring hinged) complete for 42149 and 42152, Nos. 233D, 464c, 9320, 11058 and 42157 to 42160..... |
| 1324c | 5587 | Presser Foot Screw..... |
| 39541 | 5586 | " " " Washer..... |
| 42069 | 5576 | " Lever..... |
| 42045 | 5582 | " " Hinge Stud..... |
| 1120c | 5582 | " " " " " Set Screw..... |
| 42070 | 5584 | " " Lifter..... |
| 85D | 5584 | " " " Hinge Screw..... |
| 1377c | 5584 | " " Screw Stud (eccentric)..... |
| 1547J | 5584 | " " " " Nut..... |
| 42071 | 5584 | " " Spring..... |
| 1378D | 5584 | Pressure Regulating Thumb Screw..... |
| 42072 | 5584 | Spreader..... |
| 197D | 5580 | " Screw..... |
| 2102 | 5585 | Tension (looper, left hand) Disc..... |
| 1560c | 5585 | " " " " " Regulating Thumb Nut..... |
| 828c | 5585 | Tension (looper, left hand) Screw Stud |
| 42418 | — | " " " " " " |
| | | 828c with 1560c..... |
| 42121 | 5581 | Tension (looper, left hand) Spring..... |

| NO. | PLATE | NAME |
|--------|-------|-------------------------------------|
| 42090 | 5566 | Threading Wire..... |
| 120341 | 5566 | Tweezers (curved)..... |
| 42089 | 5566 | Wrench for 1324, 1374 and 1629..... |
| 8908 | 5566 | “ “ 1520 and 1655..... |
| 4822 | 5566 | “ “ 1547..... |

FITTINGS

FOR 81-3 MACHINE FOR BALBRIGGAN

| NO. | PLATE | NAME |
|-------|-------|--|
| 42149 | 5533 | Feed (back) Dog, 3 teeth (16 teeth to the inch)..... |
| 42262 | 5533 | Feed (front) Dog, 21 teeth (16 teeth to the inch)..... |
| 42158 | 5599 | Presser Foot Chaining-off Finger (narrow bight)..... |
| 42190 | 5599 | Presser Foot Chaining-off Finger (wide bight)..... |
| 42288 | 5599 | Presser Foot Chaining-off Finger, for $\frac{1}{16}$ in. bight..... |
| 233D | 5579 | Presser Foot Chaining-off Finger Screw.. |
| 42159 | — | “ “ Plate (back)..... |
| 9320 | 5585 | “ “ “ “ Hinge Pin..... |
| 14058 | 5585 | “ “ “ “ Spring..... |
| 42160 | 5585 | “ “ “ “ Adjusting Pin..... |
| 464C | 5587 | Presser Foot Plate (back) Spring Adjusting Pin Set Screw..... |
| 42263 | — | Presser Foot Plate (front)..... |
| 42461 | 7396 | “ “ “ “ Hinge Pin..... |
| 42264 | — | “ “ Shank..... |
| 42265 | 5599 | Presser Foot (spring hinged) complete, Nos. 233D, 464C, 9320, 14058, 42158 to 42160, 42263, 42264 and 42461..... |
| 42164 | 5533 | Throat Plate for 42149 and 42262..... |

FOR LIGHT AND MEDIUM WEIGHT KNIT GOODS

| NO. | PLATE | NAME |
|-------|-------|--|
| 42149 | 5533 | Feed (back) Dog, 3 teeth (16 teeth to the inch)..... |
| 42152 | 5533 | Feed (front) Dog, 17 teeth (16 teeth to the inch)..... |

| NO. | PLATE | NAME |
|-------|-------|---|
| 42157 | — | Presser Foot Body..... |
| 42158 | 5599 | “ “ Chaining-off Finger (narrow bight)..... |
| 42190 | 5599 | Presser Foot Chaining-off Finger (wide bight)..... |
| 42288 | 5599 | Presser Foot Chaining-off Finger for $\frac{1}{16}$ in. bight..... |
| 233D | 5579 | Presser Foot Chaining-off Finger Screw.. |
| 9320 | 5585 | “ “ Hinge Pin..... |
| 42159 | — | “ “ Plate..... |
| 14058 | 5585 | “ “ Spring..... |
| 42160 | 5585 | “ “ “ Adjusting Pin..... |
| 464C | 5587 | “ “ “ “ “ Set Screw..... |
| 42161 | 5599 | Presser Foot (spring hinged) complete, Nos. 233D, 464C, 9320, 14058 and 42157 to 42160..... |
| 42163 | 5533 | Throat Plate for 42149 and 42152..... |

FOOT LIFTER PARTS

| NO. | PLATE | NAME |
|---|-------|---|
| 6439 | — | Chain, 36 in. to 45 in., with 56864 and 56865..... |
| NOTE: When ordering No. 6439 state length required. | | |
| 4879 | 5566 | Chain Connecting Link..... |
| 56864 | 5566 | “ Hook (large)..... |
| 56865 | 7396 | “ “ (small)..... |
| 42130 | 5586 | Lifting Lever..... |
| 42131 | 5586 | “ “ Bracket..... |
| 1229C | 5586 | “ “ “ Screw..... |
| 1301D | 5586 | “ “ Hinge Screw..... |
| 42132 | 5586 | “ “ Spring..... |
| 1148F | 5586 | “ “ Stop Screw..... |
| 1517J | 5584 | “ “ “ “ Nut..... |
| 4881 | 5564 | Treadle..... |
| 4882 | 5566 | “ Shaft..... |
| 4883 | 5566 | “ Spring..... |
| 4884 | 5564 | “ Stand..... |
| 4885 | 5564 | Treadle complete, Nos. 4879, 4881 to 4884 and two wood screws 1 in. No. 16..... |
| 42133 | — | Foot Lifter complete, Nos. 1301D, 4885, 6439, 42130 to 42132 and two each 1148F, 1229C and 1517J..... |

KNEE LIFTER PARTS

| NO. | PLATE | NAME |
|-------|-------|---|
| 42130 | 5586 | Lifting Lever..... |
| 42131 | 5586 | “ “ Bracket..... |
| 1229c | 5586 | “ “ “ Screw..... |
| 42142 | 5564 | “ “ Connecting Rod..... |
| 1301D | 5586 | “ “ Hinge Screw..... |
| 42132 | 5586 | “ “ Spring..... |
| 1148F | 5586 | “ “ Stop Screw..... |
| 1547J | 5584 | “ “ “ “ Nut..... |
| 2763 | 5564 | Rock Shaft..... |
| 12242 | 5564 | “ “ Hanger with two wood screws 1 in. No. 10..... |
| 2765 | 5564 | Rock Shaft Knee Arm..... |
| 2766 | 5564 | “ “ “ “ Hub with 356c... 356c 5587 |
| 2768 | — | “ “ “ “ “ Set Screw... Rock Shaft Knee Arm complete, Nos. 2765 to 2767..... |
| 2767 | 5564 | Rock Shaft Knee Plate with 356c..... 356c 5587 |
| 6337 | 5564 | “ “ “ “ “ Set Screw..... Lifting Bracket with two 356c |
| 7125 | 5564 | “ “ “ “ “ Hook..... 356c 5587 |
| 356c | 5587 | “ “ “ “ “ Set Screw... 356c 5587 |
| 2770 | 5564 | “ “ “ “ “ Set Screw..... Stop Dog with 356c..... |
| 356c | 5587 | “ “ “ “ “ Set Screw..... |
| 42143 | 5564 | Rock Shaft complete, Nos. 2763, 2768, 6337, 7125 and two each 2770 and 12242 |
| 42144 | — | Knee Lifter complete, Nos. 1301D, 42130 to 42132, 42142, 42143 and two each 1148F, 1229c and 1547J..... |

KNIFE GRINDER

| NO. | PLATE | NAME |
|-------|-------|--|
| 41326 | 5568 | Emery Wheel..... |
| 1508c | 5569 | “ “ Clamping Nut..... |
| 41327 | 5568 | “ “ Shaft..... |
| 41328 | 5568 | “ “ “ Pulley with 1036c... 1036c 5569 |
| 41513 | 5569 | “ “ “ “ “ Set Screw... Washer..... |
| 41329 | 5567 | Frame with 1036c..... |
| 878D | 5569 | “ Oil Hole Stop Screw..... |

KNIFE GRINDER

| NO. | PLATE | NAME |
|-------|-------|---|
| 41330 | 5568 | Knife Holder with two 14222..... |
| 41331 | 5568 | “ “ Bracket with 157E..... 157E 5569 |
| 42065 | 5569 | “ “ “ Clamping Screw... Hinge Stud..... |
| 1036c | 5569 | “ “ “ “ “ Set Screw 717c 5569 |
| 1520J | 5569 | “ “ “ “ “ Stop Screw..... “ “ “ “ “ Nut... Clamp..... |
| 41333 | 5569 | “ “ “ Spring..... |
| 41334 | 5569 | “ “ “ Steady Pin..... |
| 14222 | 5569 | “ “ “ “ “ Nut..... 771D 5569 |
| 970B | 5569 | “ “ “ “ “ Thumb Screw..... Regulating Thumb Screw... 313c 5569 |
| 1519J | 5569 | “ “ “ “ “ Screw Centre..... “ “ “ “ “ Nut..... |
| 41332 | 5569 | “ “ “ “ “ Spring..... |
| 41335 | — | Knife Grinder complete, Nos. 717c, 970B, 1508c, 1520J, 41326 to 41332, 42065, two each 313c, 771D, 878D, 1519J, 41333, 41334, 41513 and three wood screws 1 1/4 in. No. 12..... |

MACHINE BASE

| NO. | PLATE | NAME |
|-------|-------|---|
| 42086 | 5564 | Machine Base with three wood screws 1 1/4 in. No. 12 and four each 935E, 4718, 42088 and 66707..... |
| 4718 | 5586 | Machine Base Cushion (felt)..... |
| 42088 | 5586 | “ Cushion (felt)..... |
| 935E | 5586 | “ “ “ Screw..... |
| 66707 | 7396 | “ “ “ “ Washer..... |

THREAD UNWINDER

FOR THREE SPOOLS

| NO. | PLATE | NAME |
|---------|-------|---|
| 225389 | 7165 | Spool Rest (for one spool) with 201018c.. |
| 225395 | 7165 | “ “ (for two spools) with 201018c |
| 225388 | 7165 | “ “ Rod..... |
| 200383c | 7396 | “ “ “ Set Screw..... |
| 201018c | 7396 | “ “ “ Set Screw..... |
| 202490 | 7165 | “ Stand with 200383c..... |

| NO. | PLATE | NAME |
|---------|-------|---|
| 225391 | 7165 | Thread Guide..... |
| 201696J | 7396 | “ “ Lock Nut..... |
| 225392 | 7165 | “ “ Rod with 208E and 225393 |
| | 208E | “ “ “ Screw..... |
| 225393 | 7396 | “ “ “ Washer..... |
| 225397 | 7165 | Thread Unwinder complete, Nos. 201696J, 202490, 225388, 225389, 225392, 225395, three 225391 and wood screws $\frac{7}{8}$ in. No. 12..... |
| 27739 | 7234 | Thread Cone (wood) for large cones..... |
| 225390 | 7234 | “ “ Holder, for inverted cones..... |

NOTE: Nos. 27739 and 225390 are used with,
but not included in 225397

OBSOLETE PARTS

| NO. | PLATE | NAME |
|--------|-------|--|
| *42251 | — | Arm with two each 462c and 42253..... |
| 42175 | 5583 | Knife (stationary) Holder Regulating Lever Indicator for 81-4 Machine..... |
| 213F | 5583 | Knife (stationary) Holder Regulating Lever Indicator Screw for 81-4 Machine |
| 378c | 5579 | Looper (left hand) Lever Connecting Link Hinge Screw..... |
| 10106 | 5544 | Needle Bar Thread Retainer Disc..... |
| 2532 | 5599 | Presser Foot Plate (front) Hinge Pin for 42265..... |
| 42083 | 5585 | Thread (looper, left hand) Eyelet..... |

Genuine Singer Needles and their Containers are marked with the Company's Trade Mark "SIMANCO." 1

Needles in Containers marked "For Singer Machines" are not Singer made needles. 2

NUMERICAL LIST OF PARTS

| NO. | PLATE | NAME |
|------|-------|--|
| 35c | 5583 | Knife (stationary) Holder Screw for 81-4 Machine..... |
| 61c | 5557 | Feed (back) Bar Hinge Screw..... |
| 85d | 5584 | Presser Lever Lifter Hinge Screw..... |
| 93c | 5544 | Needle Bar Thread Retainer Screw..... |
| 104c | 5599 | Presser Foot Chaining-off Finger Regulating Lever Hinge Screw for 42181..... |
| 133F | 5581 | Knife (movable) Holder Screw for 42113. |
| 157E | 5578 | Feed (front) Rock Shaft Crank Clamping Screw for 42021..... |
| 157E | 5569 | Knife Grinder Knife Holder Bracket Clamping Screw for 41331..... |
| 171F | 5544 | Looper (right hand) and Spreader Lever Connection Guide Screw..... |
| 171F | 5544 | Needle Bar Connecting Rod Guide Screw |
| 171F | 5544 | “ Guard Screw..... |
| 175E | 5581 | Knife (movable) Lever Connection Cap Screw for 42043..... |
| 176d | 5580 | Frame Top Cover Extension Screw..... |
| 187d | 5544 | Needle Bar Connecting Bracket Clamping Screw for 42061..... |
| 190d | 5557 | Feed (back) Regulator Set Screw..... |
| 190d | 5557 | “ (front) Dog Screw..... |
| 190d | 5557 | Thread (looper, right hand) Staple Screw |
| 197d | 5582 | Looper (right hand) Screw..... |
| 197d | 5580 | Spreader Screw..... |
| 197d | 5580 | Thread (looper, right hand) Take-up Screw |
| 197d | 5580 | “ (needle) Take-up Screw..... |
| 203d | 5587 | Feed (back) Dog Screw..... |
| 207d | 5587 | “ (front) Eccentric Cover Screw..... |
| 207d | 5587 | “ “ Regulator Indicator Screw.. |
| 208E | 5587 | Thread Unwinder Thread Guide Rod Screw for 225392..... |
| 209H | 5579 | Looper (left hand) Set Screw for 42051.. |
| 213F | 5583 | Knife (stationary) Regulating Lever Indicator Screw for 81-4 Machine, obsolete |
| 213F | 5583 | Knife (stationary) Holder Regulating Lever Latch Bracket Screw for 81-4 Machine..... |
| 217d | 5585 | Thread (needle) Eyelet Screw..... |
| 223F | 5544 | Needle Bar Connecting Link Hinge Pin Set Screw for 42061..... |
| 228d | 5544 | Needle Bar Thread Retainer Bracket Screw |

| NO. PLATE | NAME |
|-----------|---|
| 229E 5587 | Cloth Plate Extension (lower) Screw for 42146..... |
| 229E 5587 | Cloth Plate Extension (upper) Screw for 42146..... |
| 233D 5579 | Feed (front) Regulator Stop Screw for 42014..... |
| 233D 5579 | Presser Foot Chaining-off Finger Screw for 42161 and 42265..... |
| 233D 5579 | Thread (looper, left hand) Eyelet Screw. |
| 236C 5587 | Cloth Plate Lock Spring Screw for 42146 |
| 236F 5583 | Knife (stationary) Holder Regulating Lever Indicator Screw for 81-4 Machine |
| 283W 5582 | Frame Top Cover Extension Holder Thumb Screw..... |
| 313C 5569 | Knife Grinder Knife Holder Screw Centre for 41335..... |
| 330W 5587 | Frame Side Cover (left) Screw..... |
| 330W 5587 | “ “ “ (right) Screw..... |
| 336F 5581 | Knife (movable) Holder Guide Set Screw for 42038..... |
| 337D 5580 | Feed (front) Regulator Indicator Plate Screw..... |
| 356C 5587 | Rock Shaft Knee Arm Hub Set Screw for 2766..... |
| 356C 5587 | Rock Shaft Knee Plate Set Screw for 2767. |
| 356C 5587 | “ “ Lifting Bracket Hook Set Screw for 6337..... |
| 356C 5587 | Rock Shaft Lifting Bracket Set Screw for 6337..... |
| 356C 5587 | Rock Shaft Stop Dog Set Screw for 2770. |
| 378C 5579 | Looper (left hand) Lever Connecting Link Hinge Screw, obsolete..... |
| 404D 5581 | Knife (movable) Holder Cap Screw for 42113..... |
| 424C 5587 | Balance Wheel Set Screw for 42001..... |
| 440F 5580 | Knife (stationary) Holder Stop Screw.... |
| 453C 5578 | Feed (front) Eccentric Set Screw for 42011 |
| 462C 5544 | “ “ Lifting Eccentric Set Screw for 42012..... |
| 462C 5544 | Needle Bar Bushing Set Screw for 42251 and 42484..... |
| 462C 5544 | Thread (looper, left hand) Tube Set Screw |
| 464C 5587 | Presser Foot Plate (back) Spring Adjusting Pin Set Screw for 42265..... |
| 464C 5587 | Presser Foot Spring Adjusting Pin Set Screw for 42161 and 42181..... |

| NO. PLATE | NAME |
|------------|---|
| 621D 5581 | Knife (movable) Holder Guide Plate Screw |
| 624C 7396 | Needle Bar Crank Shaft Bushing Set Screw for 42181..... |
| 717C 5569 | Knife Grinder Knife Holder Bracket Stop Screw for 41335..... |
| 742F 5587 | Frame Top Cover Screw..... |
| 742F 5587 | Throat Plate Screw..... |
| 771D 5569 | Knife Grinder Knife Holder Clamp Thumb Screw for 41335..... |
| 828C 5585 | Tension (looper, left hand) Screw Stud for 42418..... |
| 828C 5585 | Tension (looper, right hand) Screw Stud for 42418..... |
| 878D 5569 | Knife Grinder Frame Oil Hole Stop Screw for 41335..... |
| 896E 7396 | Looper (right hand) and Spreader Lever Connection Cap (lower) Screw for 42075 |
| 896E 7396 | Looper (right hand) and Spreader Lever Connection Cap (upper) Screw for 42075 |
| 896E 7396 | Needle Bar Connecting Rod Cap (lower) Screw for 42057..... |
| 896E 7396 | Needle Bar Connecting Rod Cap (upper) Screw for 42057..... |
| 901C 5514 | Needle Bar Connecting Link Hinge Pin Set Screw for 42104..... |
| 916C 5585 | Tension (needle thread) Screw Stud for 44209..... |
| 935D 5586 | Machine Cushion Screw for 42086..... |
| 949E 5587 | Arm Screw..... |
| 970D 5569 | Knife Grinder Knife Holder Regulating Thumb Screw for 41335..... |
| 1012E 5578 | Feed (front) Regulator Connection Adjusting Screw for 42015..... |
| 1036C 5579 | Feed (front) Rock Shaft Hinge Pin Bushing Set Screw..... |
| 1036C 5579 | Frame Rotary Shaft Bushing (front) Set Screw..... |
| 1036C 5579 | Frame Rotary Shaft Flanged Bushing (back) Set Screw..... |
| 1036C 5569 | Knife Grinder Emery Wheel Shaft Pulley Set Screw for 41328..... |
| 1036C 5569 | Knife Grinder Knife Holder Bracket Hinge Stud Set Screw for 41329..... |
| 1036C 5579 | Looper (left hand) Lever Hinge Stud Set Screw..... |
| 1057E 5578 | Feed (front) Connecting Rod Cap Screw for 42008..... |

| NO. | PLATE | NAME |
|-------|-------|---|
| 1101c | 5587 | Knife (stationary) Holder Screw for 81-3 Machine..... |
| 1120c | 5582 | Presser Lever Hinge Stud Set Screw..... |
| 1132c | 5557 | Feed (back) Connecting Link Hinge Screw |
| 1132c | 5557 | “ “ Regulator Hinge Screw..... |
| 1148F | 5586 | Lifting Lever Stop Screw for 42133 and 42144..... |
| 1229c | 5586 | Knife (movable) Lever Hinge Stud Set Screw..... |
| 1229c | 5586 | Lifting Lever Bracket Screw for 42133 and 42144..... |
| 1240F | 5583 | Knife (stationary) Holder Regulating Lever Latch Hinge Screw for 81-4 Machine..... |
| 1250F | 5583 | Knife (stationary) Holder Regulating Lever Slide Block Screw Stud for 81-4 Machine..... |
| 1253c | 5587 | Feed (front) Bar Hinge Pin Set Screw for 42151..... |
| 1258c | 5544 | Needle Bar Crank (back) Set Screw for 42103..... |
| 1258c | 5544 | Needle Bar Crank (front) Set Screw for 42104..... |
| 1259c | 5579 | Feed (front) Regulator Set Screw for 42014 |
| 1259c | 5579 | Frame Rotary Shaft Crank Set Screw for 42025..... |
| 1259c | 5579 | Looper (right hand) and Spreader Lever Ball Stud Set Screw for 42073..... |
| 1259c | 5579 | Looper (right hand) and Spreader Lever Hinge Pin Bushing Set Screw..... |
| 1259c | 5579 | Needle Bar Crank (back) Ball Stud Set Screw for 42103..... |
| 1259c | 5579 | Needle Bar Crank (back) Position Screw for 42103..... |
| 1259c | 5579 | Needle Bar Crank (front) Position Screw for 42104..... |
| 1301D | 5586 | Lifting Lever Hinge Screw for 42133 and 42144..... |
| 1324c | 5587 | Presser Foot Screw..... |
| 1354c | 5587 | Balance Wheel Position Screw for 42001. |
| 1373c | 5578 | Feed (front) Connecting Rod Hinge Screw |
| 1373c | 5578 | “ “ Regulator Connection Hinge Screw..... |
| 1373c | 5578 | Knife (movable) Lever Connection Hinge Screw..... |
| 1374c | 5578 | Feed (front) Regulating Screw Stud..... |

| NO. | PLATE | NAME |
|-------|-------|--|
| 1375c | 5579 | Frame Rotary Shaft Crank Position Screw for 42025..... |
| 1376c | 5587 | Knife (stationary) Holder Regulating Thumb Screw for 81-3 Machine..... |
| 1377c | 5584 | Presser Lever Screw Stud (eccentric)..... |
| 1378D | 5584 | Pressure Regulating Thumb Screw..... |
| 1407E | 5563 | Machine Base Thumb Screw, for 3 in. table (Accessories)..... |
| 1408E | 5563 | Machine Base Thumb Screw, for 2 in. table (Accessories)..... |
| 1437D | 5587 | Cloth Plate Hinge Screw..... |
| 1444c | 5557 | Feed (back) Regulator Thumb Screw.... |
| 1508c | 5569 | Knife Grinder Emery Wheel Clamping Nut for 41335..... |
| 1519J | 5569 | Knife Grinder Knife Holder Screw Centre Nut for 41335..... |
| 1520c | 5578 | Feed (front) Connecting Rod Hinge Screw Nut..... |
| 1520c | 5578 | Feed (front) Regulator Connection Hinge Screw Nut..... |
| 1520c | 5578 | Knife (movable) Lever Connection Hinge Screw Nut..... |
| 1520c | 5578 | Looper (left hand) Lever Connecting Link Hinge Screw Nut..... |
| 1520J | 5569 | Knife Grinder Knife Holder Bracket Stop Screw Nut for 41335..... |
| 1534W | 5581 | Knife (stationary) Clamping Stud Thumb Nut..... |
| 1547J | 5584 | Knife (stationary) Holder Stop Screw Nut |
| 1547J | 5584 | Lifting Lever Stop Screw Nut for 42133 and 42144..... |
| 1547J | 5584 | Presser Lever Screw Stud Nut..... |
| 1560c | 5585 | Tension (looper, left hand) Regulating Thumb Nut for 42418..... |
| 1560c | 5585 | Tension (looper, right hand) Regulating Thumb Nut for 42418..... |
| 1560c | 5585 | Tension (needle thread) Regulating Thumb Nut for 41209..... |
| 1629c | ---- | Needle Clamping Nut, obsolete, use 1728c |
| 1655E | 5587 | Cloth Plate Hinge Screw Nut..... |
| 1680c | 5578 | Feed (front) Regulating Screw Stud Nut. |
| 1728c | 5544 | Needle Clamping Nut..... |
| 2102 | 5585 | Tension (looper, left hand) Disc..... |
| 2102 | 5585 | “ (looper, right hand) Disc..... |
| 2102 | 5585 | “ (needle thread) Disc..... |
| 2532 | 5599 | Presser Foot Plate (front) Hinge Pin for 42265, obsolete..... |

| NO. | PLATE | NAME |
|----------------------------|-------|--|
| 2749 | 5582 | Frame Top Cover Extension Holder Thumb Screw Washer..... |
| 2763 | 5564 | Rock Shaft for 42143..... |
| Nos. 2765 TO 2767 FOR 2768 | | |
| 2765 | 5564 | Rock Shaft Knee Arm..... |
| 2766 | 5564 | " " " " Hub with 356c.... |
| 2767 | 5564 | " " " " Plate with 356c..... |
| 2768 | — | Rock Shaft Knee Arm complete, for 42143, Nos. 2765 to 2767..... |
| 2770 | 5564 | Rock Shaft Stop Dog with 356c, for 42143 |
| 4389 | 5585 | Arm Dowel Pin..... |
| 4718 | 5586 | Machine Base Cushion (felt) for 42086... |
| 4822 | 5566 | Wrench for 1547 (Accessories)..... |
| 4879 | 5566 | Chain Connecting Link for 4885..... |
| Nos. 4881 TO 4884 FOR 4885 | | |
| 4881 | 5564 | Treadle..... |
| 4882 | 5566 | " Shaft..... |
| 4883 | 5566 | " Spring..... |
| 4884 | 5564 | " Stand..... |
| 4885 | 5564 | Treadle complete, for 42133, Nos. 4879, 4881 to 4884 and two wood screws 1 in. No. 16..... |
| 6337 | 5564 | Rock Shaft Lifting Bracket with two 356c, for 42143..... |
| 6439 | — | Chain, 36 in. to 45 in., with 56864 and 56865, for 42133..... |
| 7125 | 5564 | Rock Shaft Lifting Bracket Hook for 42143 |
| 8908 | 5566 | Wrench for 1520 and 1655 (Accessories). |
| 9320 | 5585 | Presser Foot Hinge Pin for 42161 and 42181..... |
| 9320 | 5585 | Presser Foot Plate (back) Hinge Pin for 42265..... |
| 9842 | 5586 | Machine Base Thumb Screw Spring Washer (Accessories)..... |
| 10106 | 5544 | Needle Bar Thread Retainer Disc, obsolete |
| 10107 | 5544 | " " " " Spring..... |
| 10148 | 5585 | Tension (looper, right hand) Spring..... |
| 10148 | 5585 | " (needle thread) Spring..... |
| 12242 | 5564 | Rock Shaft Hanger with two wood screws 1 in. No. 10, for 42143..... |
| 14058 | 5585 | Presser Foot Plate (back) Spring for 42265 |
| 14058 | 5585 | " " Spring for 42161 and 42181. |
| 14063 | 5586 | Machine Base Thumb Screw Spring (Ac- cessories)..... |

| NO. | PLATE | NAME |
|-------------------------------|-------|--|
| 14222 | 5569 | Knife Grinder Knife Holder Clamp Steady Pin for 41330..... |
| 17547 | 5585 | Tension (looper, right hand) Thread Guide |
| 19045 | 5585 | Frame Side Cover (left) Handle for 42027 |
| 27739 | 7234 | Thread Unwinder Thread Cone (wood) for large cones, for 225397..... |
| 29599 | 5584 | Looper (right hand) and Spreader Lever Connection Oil Tube Packing (felt) for 42106..... |
| 39541 | 5586 | Presser Foot Screw Washer..... |
| 40247 | 5544 | Needle Bar Connecting Link Hinge Pin |
| Nos. 41326 TO 41334 FOR 41335 | | |
| 41326 | 5568 | Knife Grinder Emery Wheel..... |
| 41327 | 5568 | " " " " Shaft..... |
| 41328 | 5568 | " " " " Pulley with 1036c..... |
| 41329 | 5567 | Knife Grinder Frame with 1036c..... |
| 41330 | 5568 | " " Knife Holder with two 14222..... |
| 41331 | 5568 | Knife Grinder Knife Holder Bracket with 157e..... |
| 41332 | 5569 | Knife Grinder Knife Holder Spring..... |
| 41333 | 5569 | " " " " Clamp..... |
| 41334 | 5569 | " " " " Spring |
| 41335 | — | Knife Grinder complete, Nos. 717c, 970b, 1508c, 1520r, 41326 to 41332, 42065, two each 313c, 771b, 878b, 1519r, 41333, 41334, 41513 and three wood screws 1¼ in. No. 12..... |
| 41513 | 5569 | Knife Grinder Emery Wheel Washer for 41335..... |
| 42001 | 5576 | Balance Wheel with 424c and 4354c.... |
| 42003 | 5577 | Cloth Plate Extension (lower) for 42146. |
| 42005 | 5577 | " " Lock Spring for 42146..... |
| 42007 | 5578 | Feed (front) Bar Hinge Pin..... |
| 42008 | 5578 | " " Connecting Rod with 42009 and two 1057e..... |
| *42009 | — | Feed (front) Connecting Rod Cap for 42008..... |
| 42011 | 5578 | Feed (front) Eccentric with two 453c.... |
| 42012 | 5578 | " " Lifting Eccentric with two 462c..... |
| 42013 | 5578 | Feed (front) Lifting Eccentric Connection |
| 42014 | 5579 | " " Regulator with 233b and two 1259c..... |

| NO. | PLATE | NAME |
|--------|-------|--|
| 42015 | 5578 | Feed (front) Regulator Connection with 1012E..... |
| 42016 | 5579 | Feed (front) Regulator Hinge Stud..... |
| 42017 | 5580 | " " " Indicator..... |
| 42018 | 5580 | " " " " Plate... |
| 42021 | 5578 | " " Rock Shaft Crank with 157E, for 42155..... |
| *42022 | ---- | Frame for 81-3 Machine..... |
| 42023 | 5576 | " Rotary Shaft..... |
| 42024 | 5576 | " " " Bushing (front)..... |
| 42025 | 5579 | " " " Crank with 1259c and 1375c..... |
| 42026 | 5576 | Frame Rotary Shaft Flanged Bushing (back) with 54967..... |
| 42027 | 5577 | Frame Side Cover (left) with 19015..... |
| 42028 | 5577 | " " " (right) hinged..... |
| 42029 | 5576 | " Top Cover..... |
| 42030 | 5580 | " " " Extension..... |
| 42035 | 5581 | Knife (movable) Holder for 42113..... |
| 42037 | 5581 | " " " Cap for 42113... |
| 42038 | 5581 | " " " Guide with 336F |
| 42039 | 5581 | " " " Plate..... |
| 42040 | 5581 | " " " Screw Extension Pin for 42113..... |
| 42041 | 5581 | Knife (movable) Holder Spring..... |
| 42042 | 5581 | " " Lever..... |
| 42043 | 5581 | " " " Connection with 42044 and two 175E..... |
| *42014 | ---- | Knife (movable) Lever Connection Cap for 42043..... |
| 42045 | 5582 | Knife (movable) Lever Hinge Stud..... |
| 42045 | 5582 | Presser Lever Hinge Stud..... |
| 42046 | 5580 | Knife (stationary) with 42049..... |
| 42048 | 5581 | " " Clamping Stud..... |
| 42049 | 5580 | " " Stud for 42046..... |
| 42051 | 5579 | Looper (left hand) Lever with 209E..... |
| 42052 | 5579 | " " " " Connecting Link |
| 42053 | 5579 | " " " " Hinge Stud.... |
| 42054 | 5544 | Needle Bar..... |
| 42055 | 5544 | " " Connecting Link..... |
| 42057 | 5544 | " " " Rod with 42059, 42076 and four 896E..... |
| *42059 | ---- | Looper (right hand) and Spreader Lever Connection Cap (upper) for 42075..... |
| *42059 | ---- | Needle Bar Connecting Rod Cap (upper) for 42057..... |

| NO. | PLATE | NAME |
|--------|-------|---|
| 42061 | 5544 | Needle Bar Connecting Bracket with 187D and 223E..... |
| 42065 | 5569 | Knife Grinder Knife Holder Bracket Hinge Stud for 41335..... |
| 42066 | 5544 | Needle Guard..... |
| 42069 | 5576 | Presser Lever..... |
| 42070 | 5584 | " " Lifter..... |
| 42071 | 5584 | " " Spring..... |
| 42072 | 5584 | Spreader..... |
| 42073 | 5582 | Looper (right hand) and Spreader Lever with 1259c..... |
| 42074 | 5582 | Looper (right hand) and Spreader Lever Ball Stud..... |
| 42074 | 5582 | Needle Bar Crank (back) Ball Stud..... |
| 42075 | 5582 | Looper (right hand) and Spreader Lever Connection with 42059, 42076 and four 896E..... |
| *42076 | ---- | Looper (right hand) and Spreader Lever Connection Cap (lower) for 42075..... |
| *42076 | ---- | Needle Bar Connecting Rod Cap (lower) for 42057..... |
| 42077 | 5584 | Looper (right hand) and Spreader Lever Connection Guide..... |
| 42077 | 5584 | Needle Bar Connecting Rod Guide..... |
| 42078 | 5584 | Looper (right hand) and Spreader Lever Hinge Pin..... |
| 42079 | 5579 | Feed (front) Rock Shaft Hinge Pin Bushing..... |
| 42079 | 5579 | Looper (right hand) and Spreader Lever Hinge Pin Bushing..... |
| 42082 | 5585 | Tension (needle thread) Thread Guide... |
| 42083 | 5585 | Thread (looper, left hand) Eyelet, obsolete |
| 42084 | 5585 | " " " " Tube..... |
| 42086 | 5564 | Machine Base with three wood screws 1 1/4 in. No. 12 and four each 935D, 4718, 42088 and 66707..... |
| 42088 | 5586 | Machine Cushion (felt) for 42086..... |
| 42089 | 5566 | Wrench for 1324, 1374 and 1629 (Accessories)..... |
| 42090 | 5566 | Threading Wire (Accessories)..... |
| 42093 | 5585 | Thread (looper, right hand) Staple..... |
| 42096 | 5585 | " (needle) Eyelet..... |
| 42098 | 5579 | Feed (front) Rock Shaft Hinge Pin..... |
| 42101 | 5580 | Frame Side Cover (right) Lock Spring... |
| 42102 | 5582 | " Top Cover Extension Holder..... |
| 42103 | 5544 | Needle Bar Crank (back) with 1258c and two 1259c..... |

| NO. | PLATE | NAME |
|---|-------|---|
| 42104 | 5544 | Needle Bar Crank (front) with 904c, 1258c and 1259c..... |
| 42105 | 5544 | Needle Bar Crank Shaft..... |
| 42106 | 5584 | Looper (right hand) and Spreader Lever Connection Oil Tube and Bracket with 29599..... |
| 42108 | 5577 | Cloth Plate Extension (upper) for 42146. |
| 42111 | 5581 | Knife (movable)..... |
| 42112 | 5581 | “ “ Gib for 42113..... |
| 42113 | — | “ “ Holder 42035, with 133F, 42037, 42040, 42112 and two 40fd..... |
| 42114 | 5582 | Looper (left hand)..... |
| 42115 | 5544 | Needle Bar Thread Retainer Bracket.... |
| 42121 | 5581 | Tension (looper, left hand) Spring..... |
| 42127 | 5585 | Thread (looper, right hand) Take-up.... |
| Nos. 42130 TO 42132 FOR 42133 AND 42144 | | |
| 42130 | 5586 | Lifting Lever..... |
| 42131 | 5586 | “ “ Bracket..... |
| 42132 | 5586 | “ “ Spring..... |
| 42133 | — | Foot Lifter complete, Nos. 1301b, 4885, 6439, 42130 to 42132 and two each 1148F, 1229c and 1517J..... |
| 42142 | 5564 | Lifting Lever Connecting Rod for 42144. |
| 42143 | 5564 | Rock Shaft complete, for 42144, Nos. 2763, 2768, 6337, 7125 and two each 2770 and 12242..... |
| 42144 | — | Knee Lifter complete, Nos. 1301b, 42130 to 42132, 42142, 42143 and two each 1148F, 1229c and 1517J..... |
| 42145 | 5577 | Cloth Plate for 42146..... |
| 42146 | — | Cloth Plate complete, Nos. 42003, 42005, 42108, 42145, two 236c and five 229E. |
| 42147 | 5557 | Feed (back) Bar..... |
| 42148 | 5557 | “ “ Connecting Link..... |
| 42149 | 5533 | “ “ Dog, 3 teeth (16 teeth to the inch)..... |
| 42150 | 5557 | Feed (back) Regulator..... |
| 42151 | 5557 | “ (front) Bar with 1253c..... |
| 42152 | 5533 | “ “ Dog, 17 teeth (16 teeth to the inch)..... |
| 42153 | 5577 | Feed (front) Eccentric Cover..... |
| 42154 | 5557 | “ “ Rock Shaft for 42155..... |
| 42155 | — | Feed (front) Rock Shaft complete, Nos. 42021 and 42154..... |
| 42156 | 5580 | Knife (stationary) Holder..... |

| NO. | PLATE | NAME |
|--------|-------|--|
| 42157 | — | Presser Foot Body for 42161..... |
| 42158 | 5599 | “ “ Chaining-off Finger (narrow bight) for 42161 and 42265..... |
| 42159 | — | Presser Foot Plate for 42161 and 42181.. |
| 42159 | — | “ “ “ (back) for 42265..... |
| 42160 | 5585 | “ “ “ “ Spring Adjusting Pin for 42265..... |
| 42160 | 5585 | Presser Foot Spring Adjusting Pin for 42161 and 42181..... |
| 42161 | 5599 | Presser Foot (spring hinged) complete, for 42149 and 42152, for 81-3 Machine, Nos. 233b, 464c, 9320, 14058 and 42157 to 42160..... |
| 42162 | 5580 | Thread (needle) Take-up..... |
| 42163 | 5533 | Throat Plate for 42149, 42152 and 42262, for general knit goods, for 81-3 Machine |
| 42164 | 5533 | Throat Plate for 42149, 42152 and 42262, for narrow bight on ballbrigan and closely woven goods..... |
| 42166 | 5582 | Looper (right hand)..... |
| *42173 | — | Frame for 81-4 Machine..... |

Nos. 42175 TO 42177 FOR 81-4 MACHINE

| | | |
|-------|------|---|
| 42175 | 5583 | Knife (stationary) Holder Regulating Lever Indicator, obsolete..... |
| 42176 | 5583 | Knife (stationary) Holder Regulating Lever Friction Washer..... |
| 42177 | 5583 | Knife (stationary) Holder Regulating Lever Slide Block..... |

Nos. 42178 TO 42180 FOR 42181

| | | |
|-------|------|--|
| 42178 | — | Presser Foot Body..... |
| 42179 | 5599 | “ “ Chaining-off Finger..... |
| 42180 | 5599 | “ “ “ “ Regulating Lever..... |
| 42181 | 5599 | Presser Foot (spring hinged) complete for 81-4 Machine, Nos. 101c, 464c, 9320, 14058, 42159, 42160 and 42178 to 42180..... |
| 42190 | 5599 | Presser Foot Chaining-off Finger (wide bight) for 42161 and 42265..... |

Nos. 42200 TO 42204 FOR 81-4 MACHINE

| | | |
|-------|------|---|
| 42200 | 5583 | Knife (stationary) Holder Regulating Lever..... |
| 42201 | 5583 | Knife (stationary) Holder Regulating Lever Latch..... |

| NO. | PLATE | NAME |
|--------|-------|---|
| 42202 | 5583 | Knife (stationary) Holder Regulating Lever Latch Bracket..... |
| 42203 | 5583 | Knife (stationary) Holder Regulating Lever Latch Spring..... |
| 42204 | 5583 | Knife (stationary) Holder Regulating Lever Indicator..... |
| 42242 | 7396 | Thread (looper, left hand) Eyelet..... |
| *42251 | — | Arm with two each 462c and 42253, obsolete..... |
| 42253 | 5544 | Needle Bar Bushing for 42251 and 42484. |
| 42262 | 5533 | Feed (front) Dog, 21 teeth (16 teeth to the inch) for 81-3 Machine..... |
| 42263 | — | Presser Foot Plate (front) for 42265..... |
| 42264 | — | “ “ Shank for 42265..... |
| 42265 | 5599 | Presser Foot (spring hinged) complete, for 42149 and 42262, for 81-3 Machine, Nos. 233b, 464c, 9320, 14058, 42158 to 42160, 42263, 42264 and 42161..... |
| 42288 | 5599 | Presser Foot Chaining-off Finger, for $\frac{1}{16}$ in. bight, for 42161 and 42265..... |
| 42290 | 5578 | Feed (front) Regulating Screw Stud Washer |
| 42367 | 5585 | Frame Rotary Shaft Front Bearing Oil Pad (braided cotton)..... |
| 42418 | — | Tension (looper, left hand) Screw Stud 828c with 1560c..... |
| 42418 | — | Tension (looper, right hand) Screw Stud 828c with 1560c..... |
| 42461 | 7396 | Presser Foot Plate (front) Hinge Pin for 42265..... |
| 42483 | 7396 | Needle Bar Thread Retainer Disc..... |
| *42484 | — | Arm with two each 462c, 624c, 42253 and 42487..... |
| 42487 | 7396 | Needle Bar Crank Shaft Bushing for 42484 |
| 44209 | — | Tension (needle thread) Screw Stud 916c with 1560c..... |
| 50562c | 7396 | Looper (left hand) Lever Connecting Link Hinge Screw..... |
| 54967 | 5585 | Frame Rotary Shaft Flanged Bushing (back) Oil Pad (braided cotton) for 42026..... |
| 56864 | 5566 | Chain Hook (large) for 6439..... |
| 56865 | 7396 | “ “ (small) for 6439..... |
| 66707 | 7396 | Machine Cushion Screw Washer for 42086 |
| 120341 | 5566 | Tweezers, curved (Accessories)..... |
| 120344 | 5566 | Oiler (copper plated) with 120345 (Accessories)..... |
| 120345 | 5566 | Oiler Spout, 5 in. long, for 120344..... |

| NO. | PLATE | NAME |
|---------|-------|---|
| 120440 | 5566 | Screw Driver, (Accessories)..... |
| 200383c | 7396 | Thread Unwinder Spool Rest Rod Set Screw for 202490..... |
| 201018c | 7396 | Thread Unwinder Spool Rest Set Screw for 225389 and 225395..... |
| 201696j | 7396 | Thread Unwinder Thread Guide Lock Nut for 225397..... |
| 202490 | 7165 | Thread Unwinder Spool Stand with 200383c for 225397..... |
| 225388 | 7165 | Thread Unwinder Spool Rest Rod for 225397..... |
| 225389 | 7165 | Thread Unwinder Spool Rest (for one spool) with 201018c, for 225397..... |
| 225390 | 7234 | Thread Unwinder Thread Cone Holder, for inverted cones, for 225397..... |
| 225391 | 7165 | Thread Unwinder Thread Guide for 225397 |
| 225392 | 7165 | “ “ “ “ Rod with 2088c and 225393, for 225397..... |
| 225393 | 7396 | Thread Unwinder Thread Guide Rod Washer for 225392..... |
| 225395 | 7165 | Thread Unwinder Spool Rest (for two spools) with 201018c, for 225397..... |
| 225397 | 7165 | Thread Unwinder complete for three spools, Nos. 201696j, 202490 225388, 225389, 225392, 225395, three 225391, and wood screws $\frac{7}{8}$ in. No. 12..... |

Genuine Singer Needles and their Containers are marked with the Company's Trade Mark "SIMANCO." 1

Needles in Containers marked "For Singer Machines" are not Singer made needles. 2

ILLUSTRATIONS OF PARTS

FOR

MACHINES

Nos. 81-3 and 81-4

ILLUSTRATIONS OF PARTS
FOR
MACHINES
Nos. 81-3 and 81-4

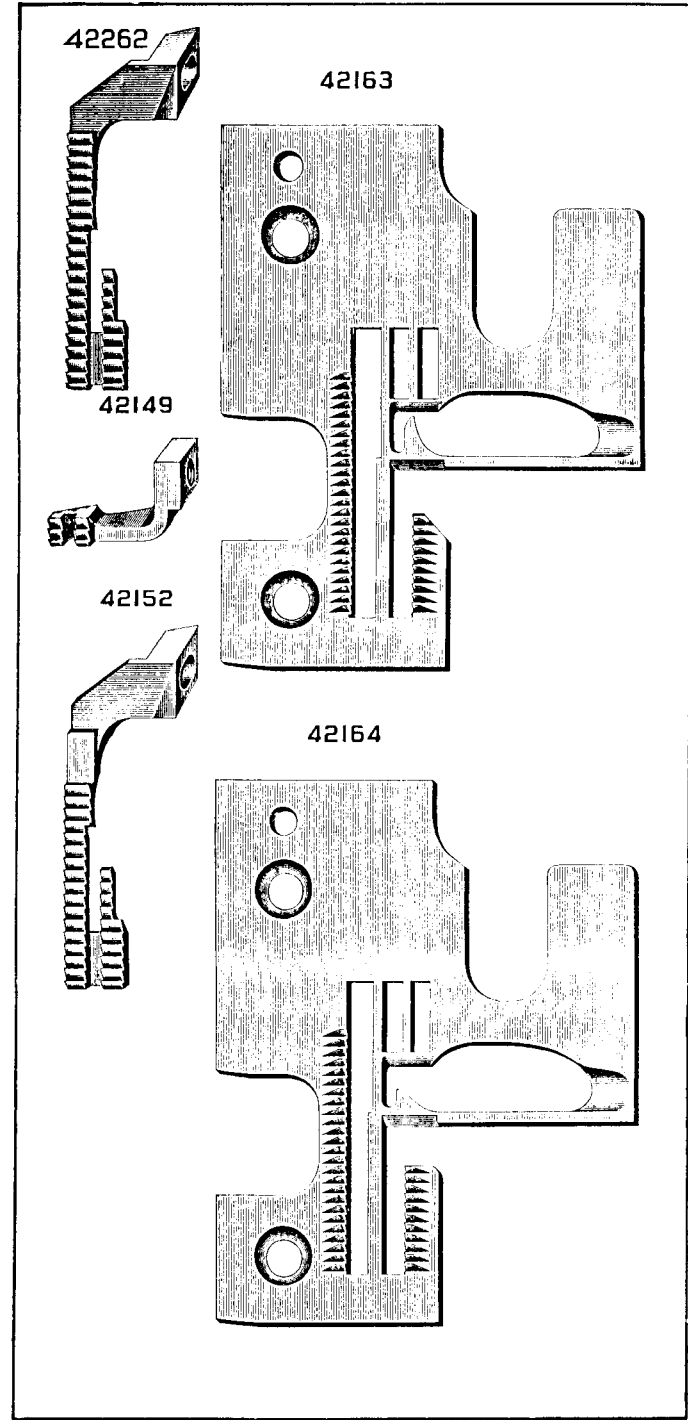


PLATE 5544—FULL SIZE

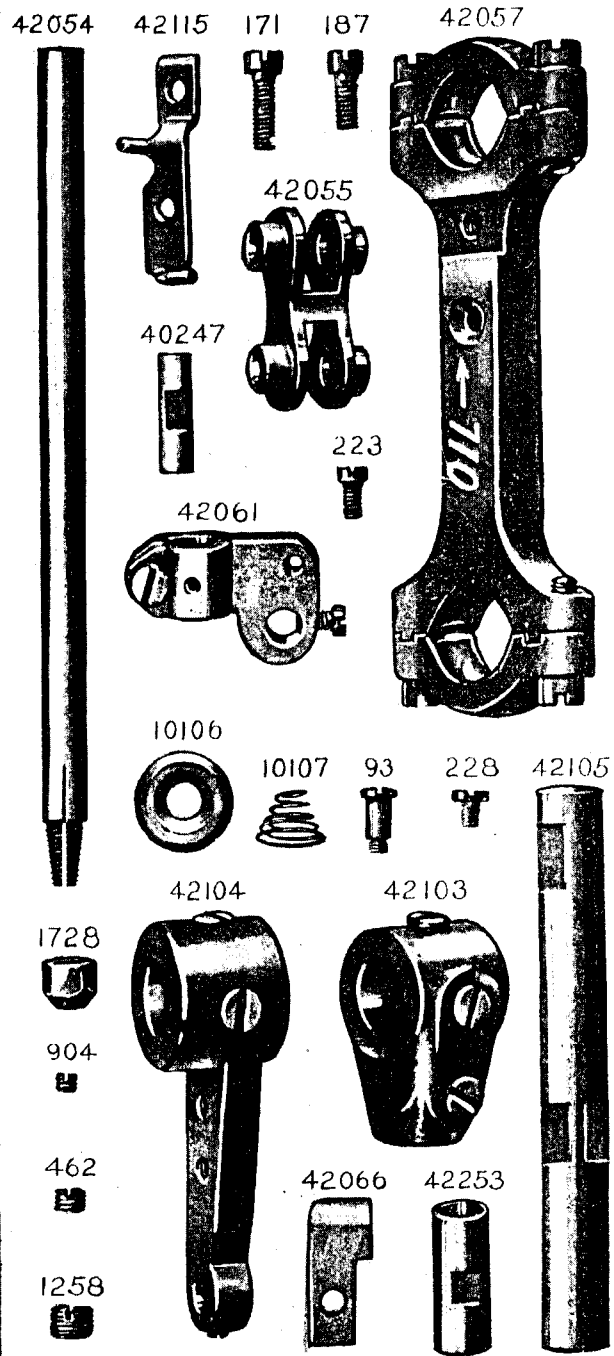


PLATE 5557—FULL SIZE

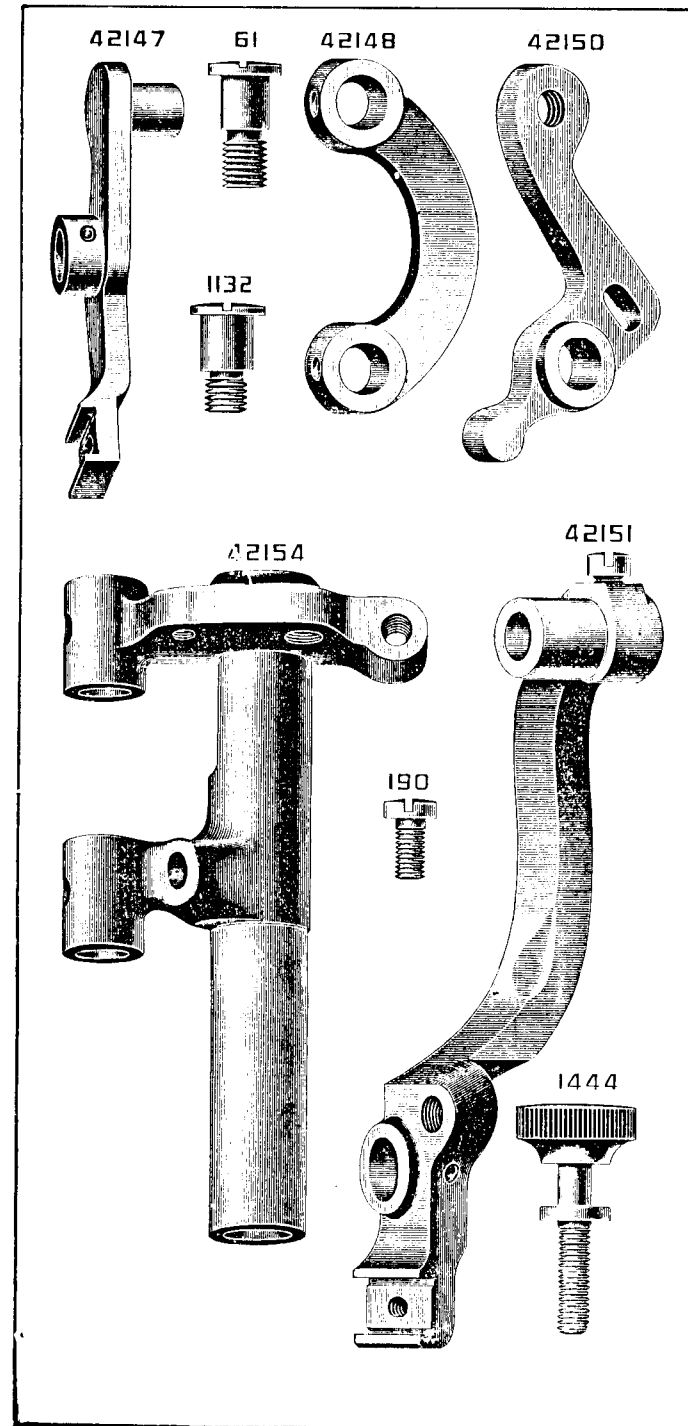


PLATE 5563—FULL SIZE

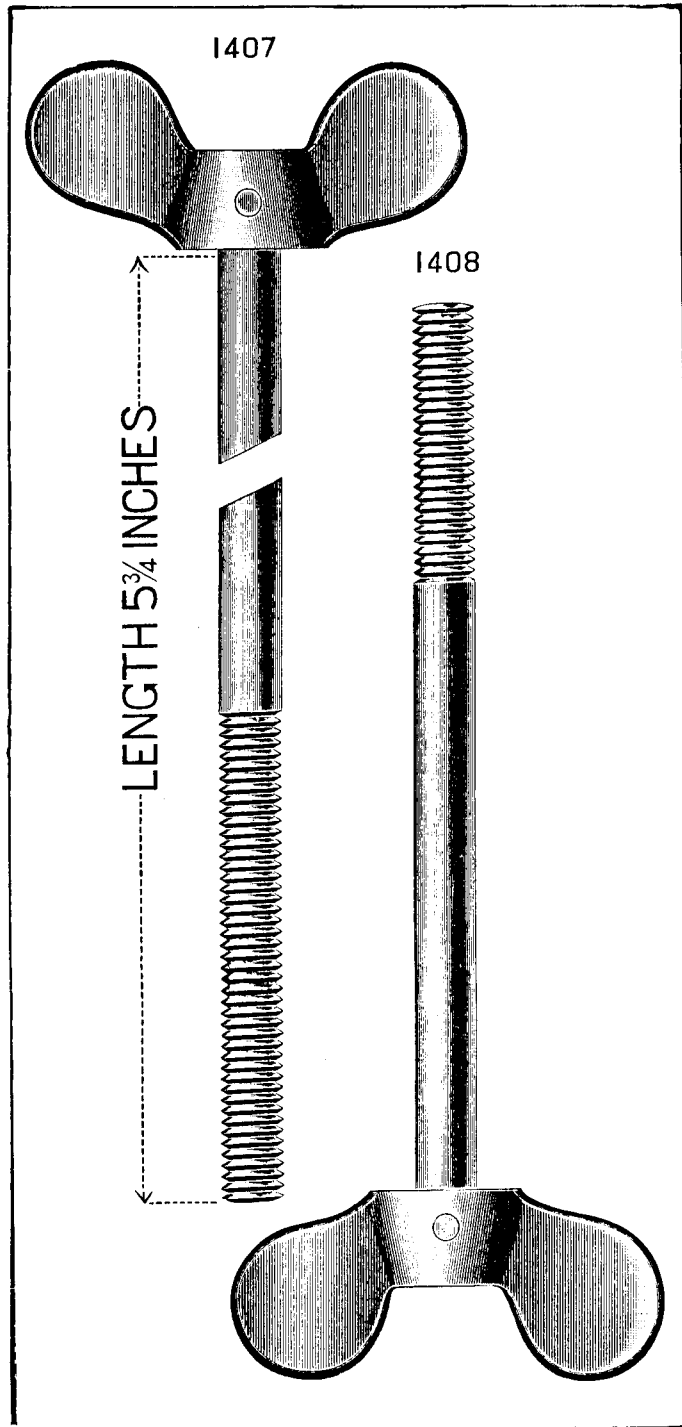


PLATE 5564—ONE-FOURTH SIZE

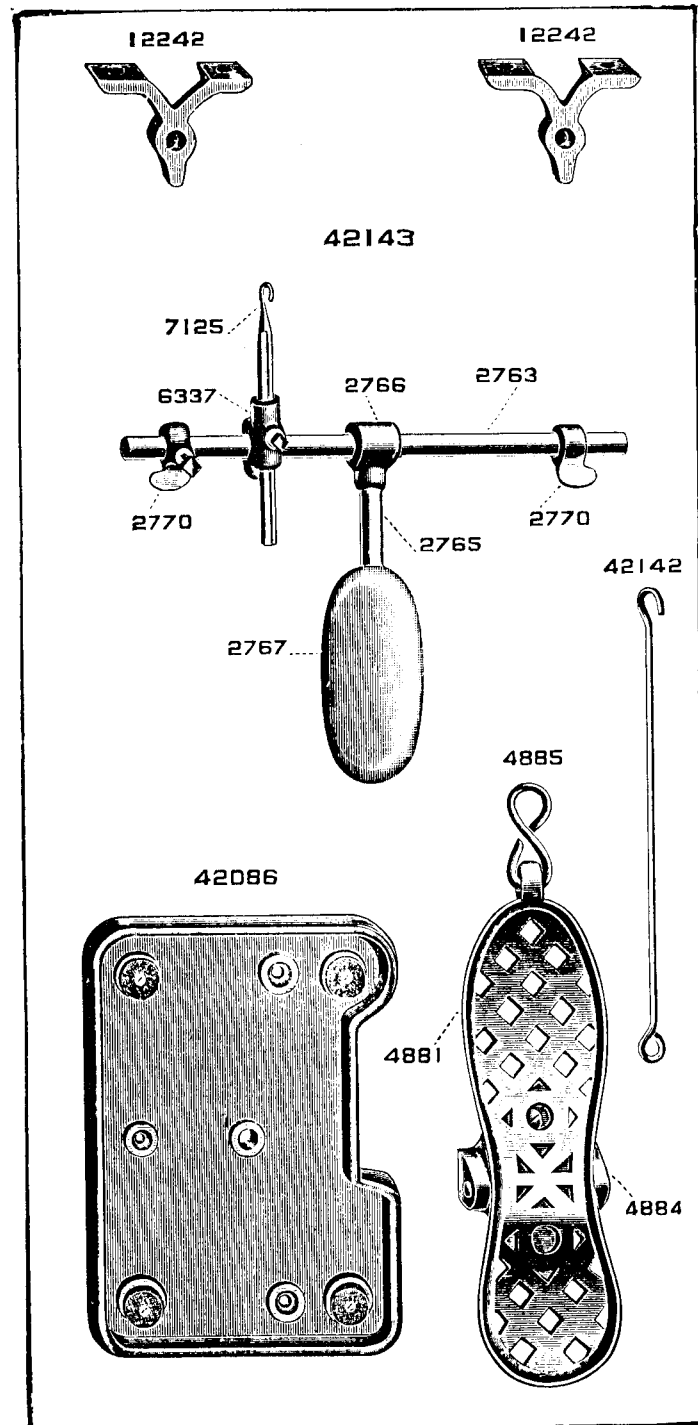


PLATE 5566--ONE-HALF SIZE

120341



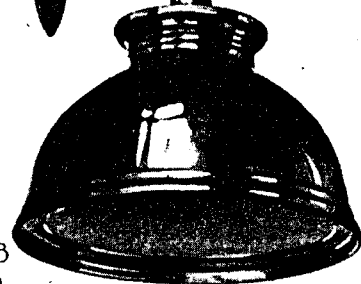
120344



120440 42090



120345



8908



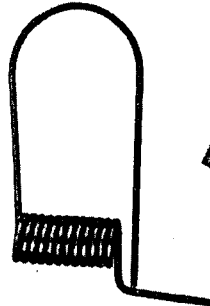
42089



4822



4883



4882



4879



56864



PLATE 5567--ONE-HALF SIZE

41329

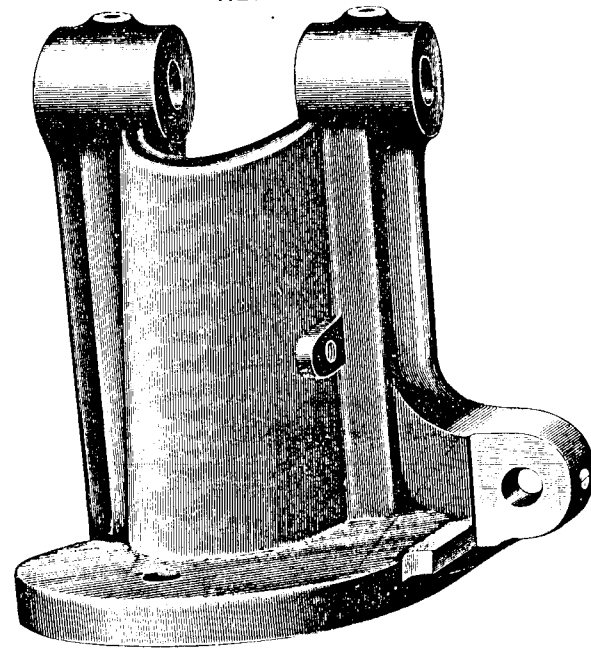


PLATE 5568—ONE-HALF SIZE

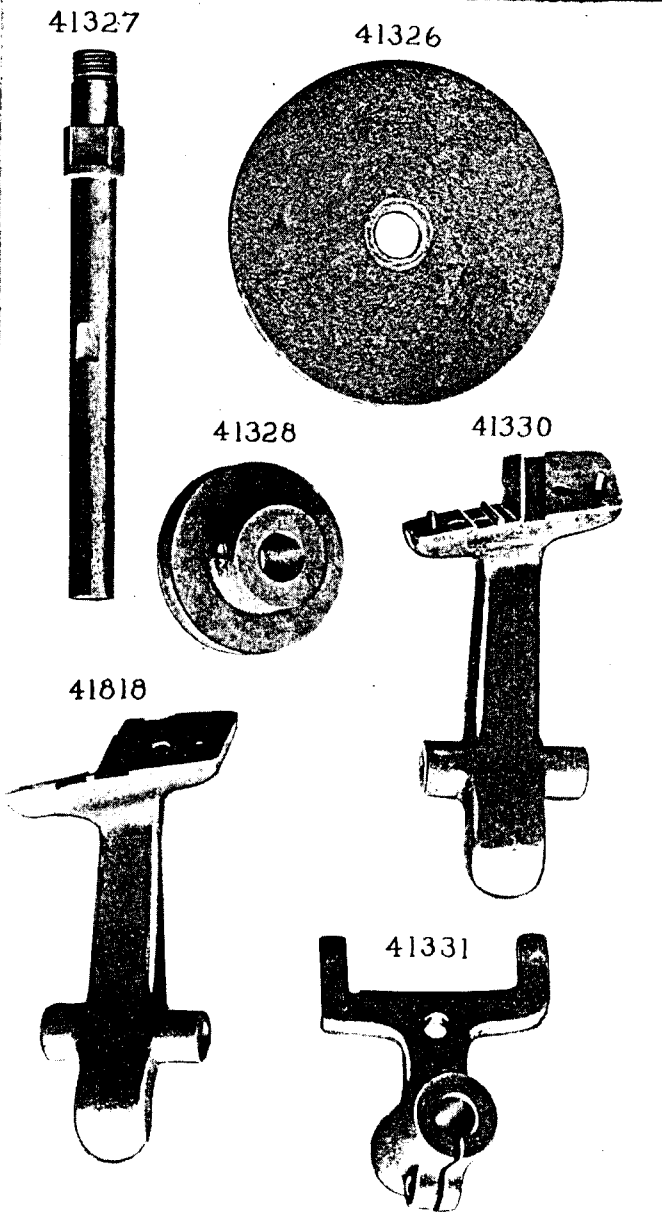


PLATE 5569—FULL SIZE

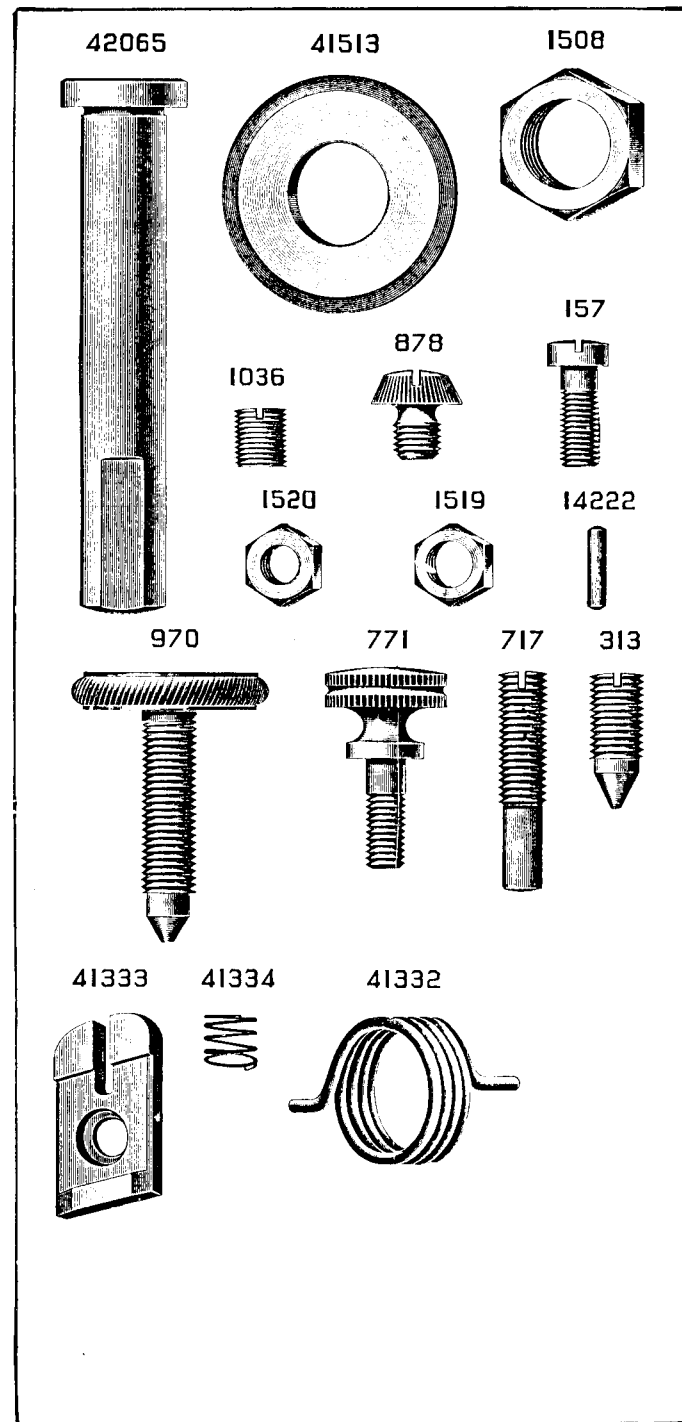
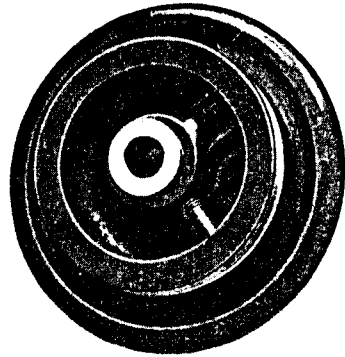


PLATE 5576—ONE-HALF SIZE

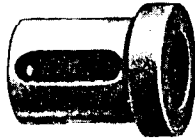
42023



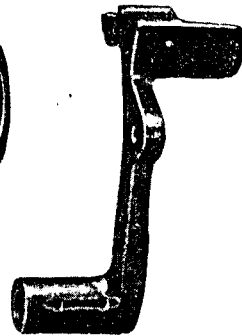
42001



42026



42069



42024



42029

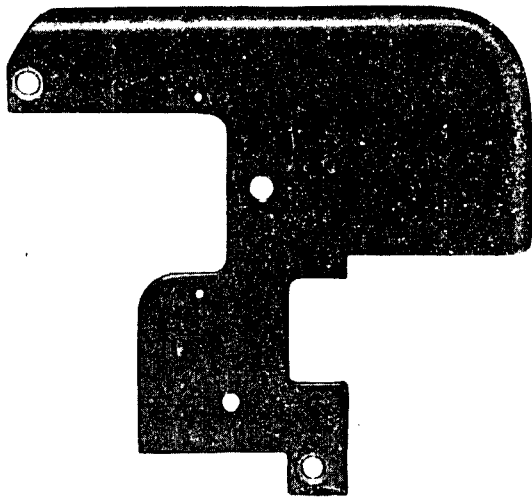
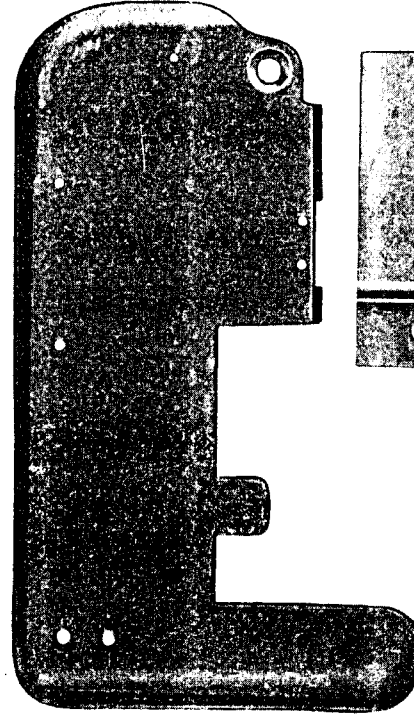
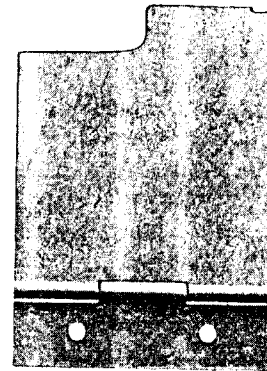


PLATE 5577—ONE-HALF SIZE

42145



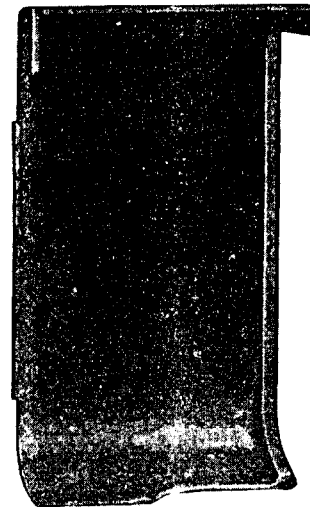
42028



42027



42003



42108



42005



42153

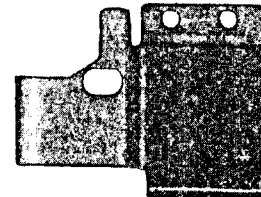


PLATE 5578—FULL SIZE

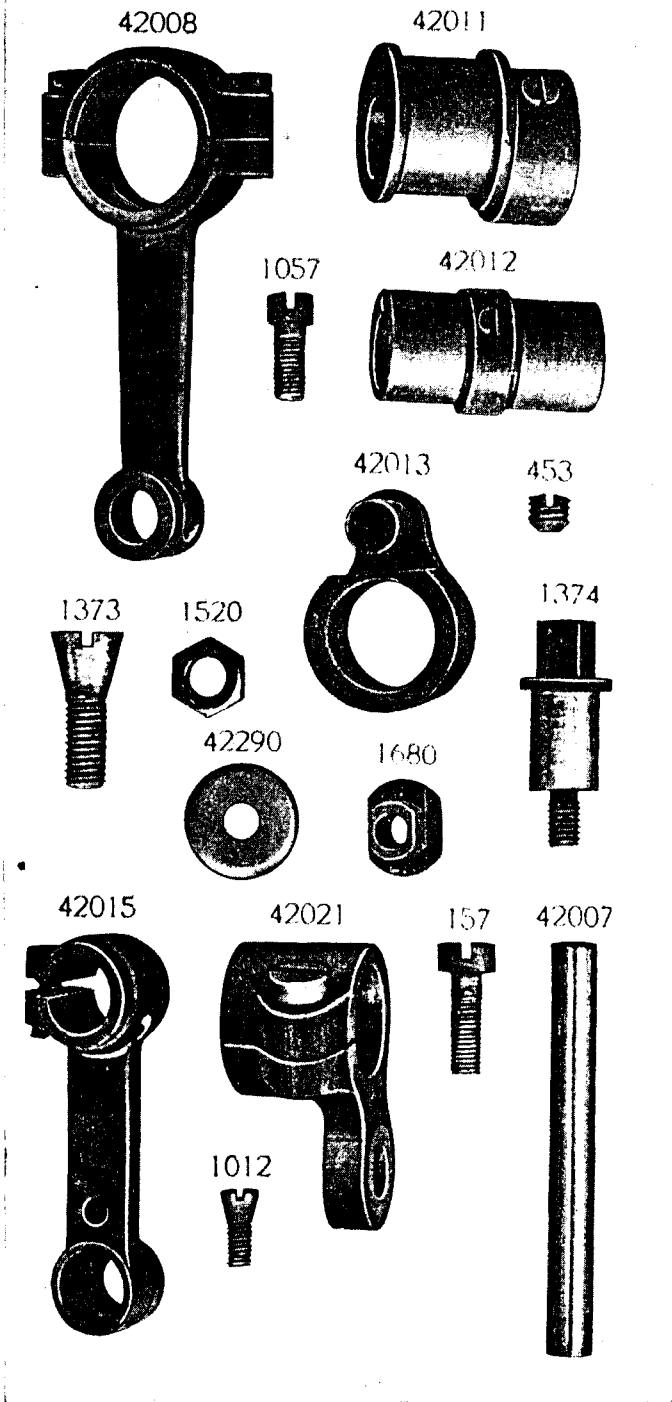


PLATE 5579—FULL SIZE

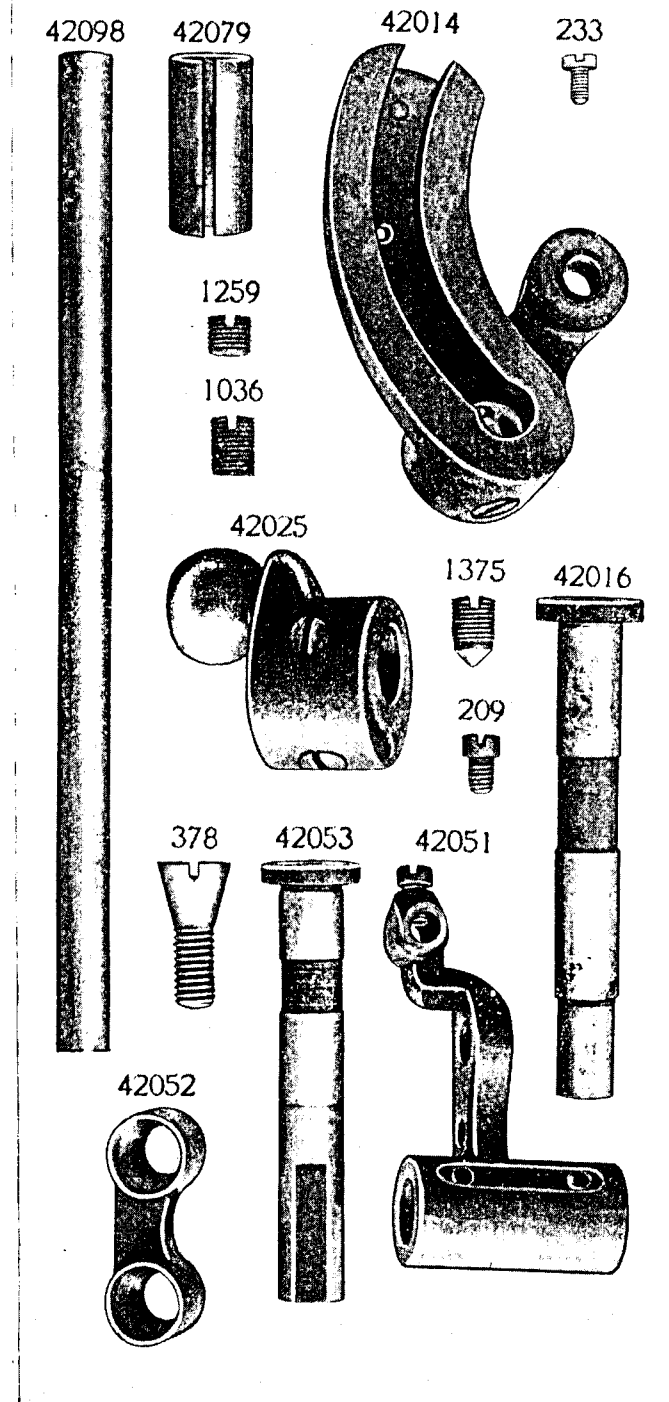


PLATE 5580—FULL SIZE

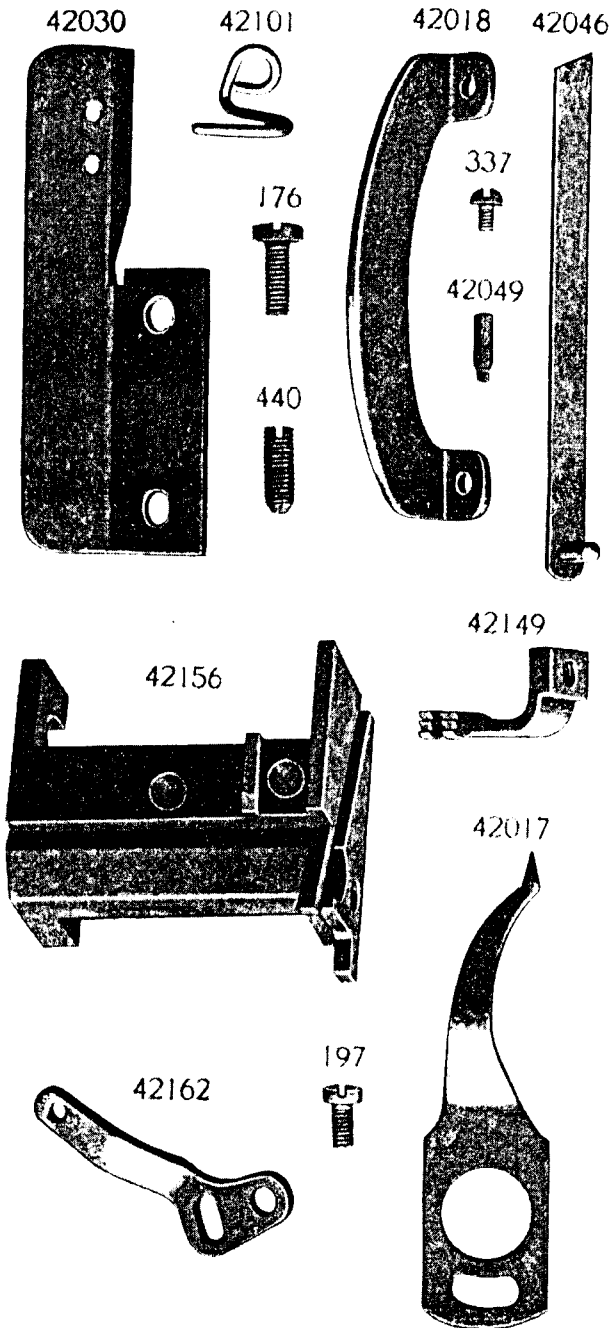


PLATE 5581—FULL SIZE

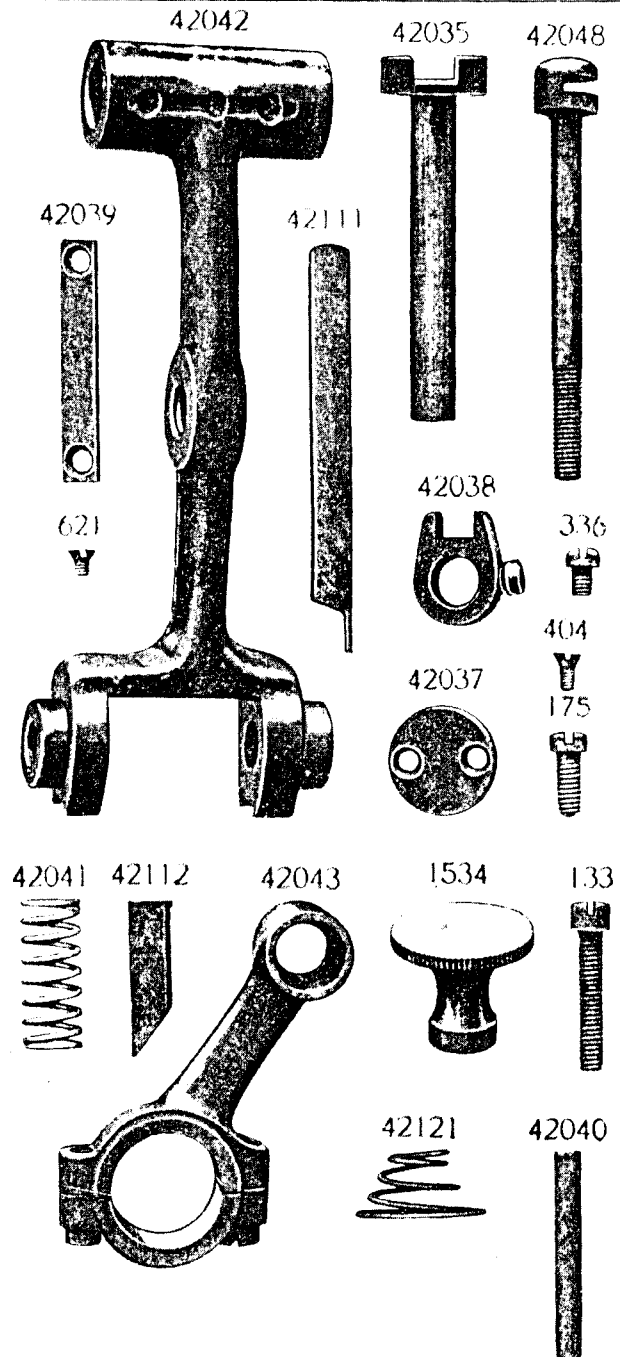


PLATE 5582—FULL SIZE

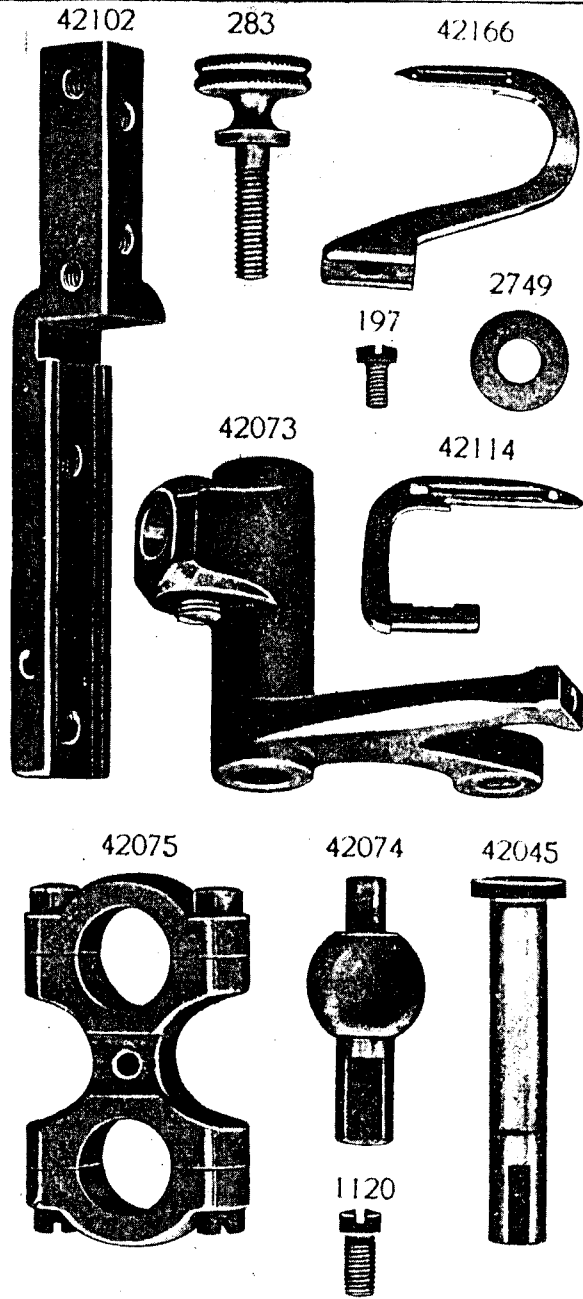


PLATE 5583—FULL SIZE

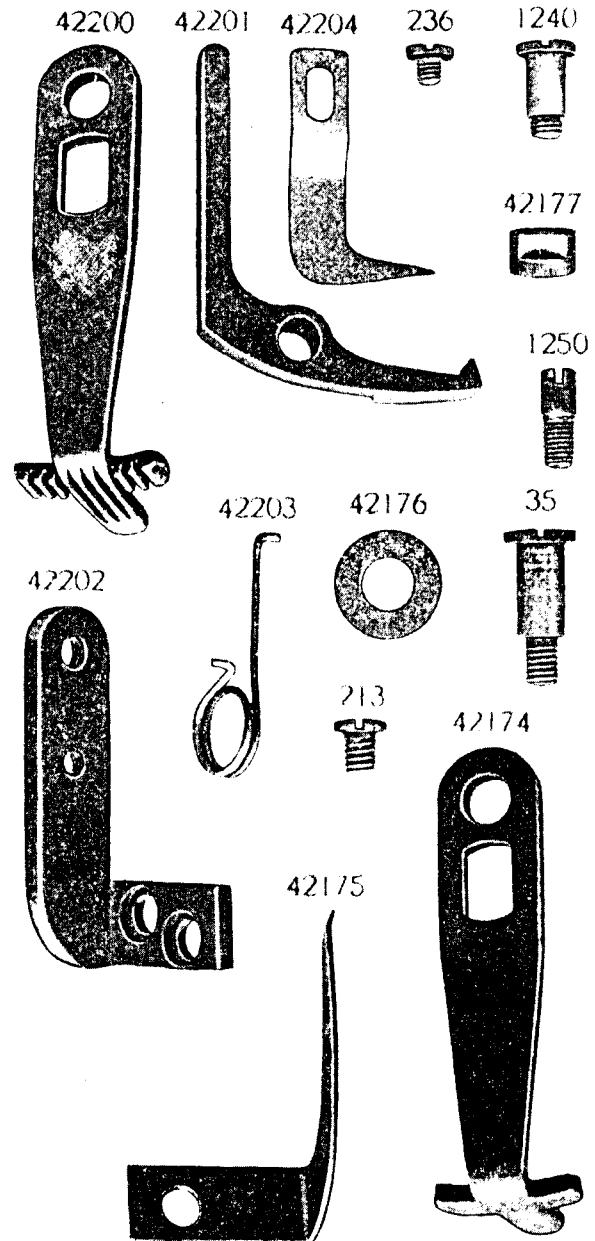


PLATE 5584—FULL SIZE

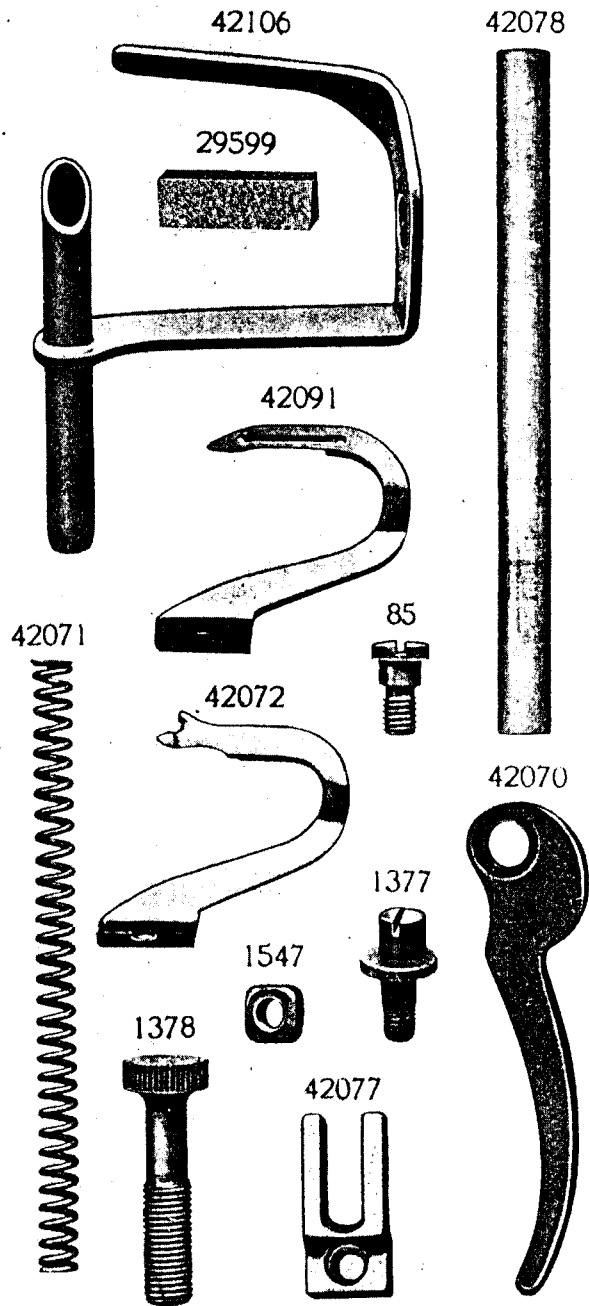


PLATE 5585—FULL SIZE

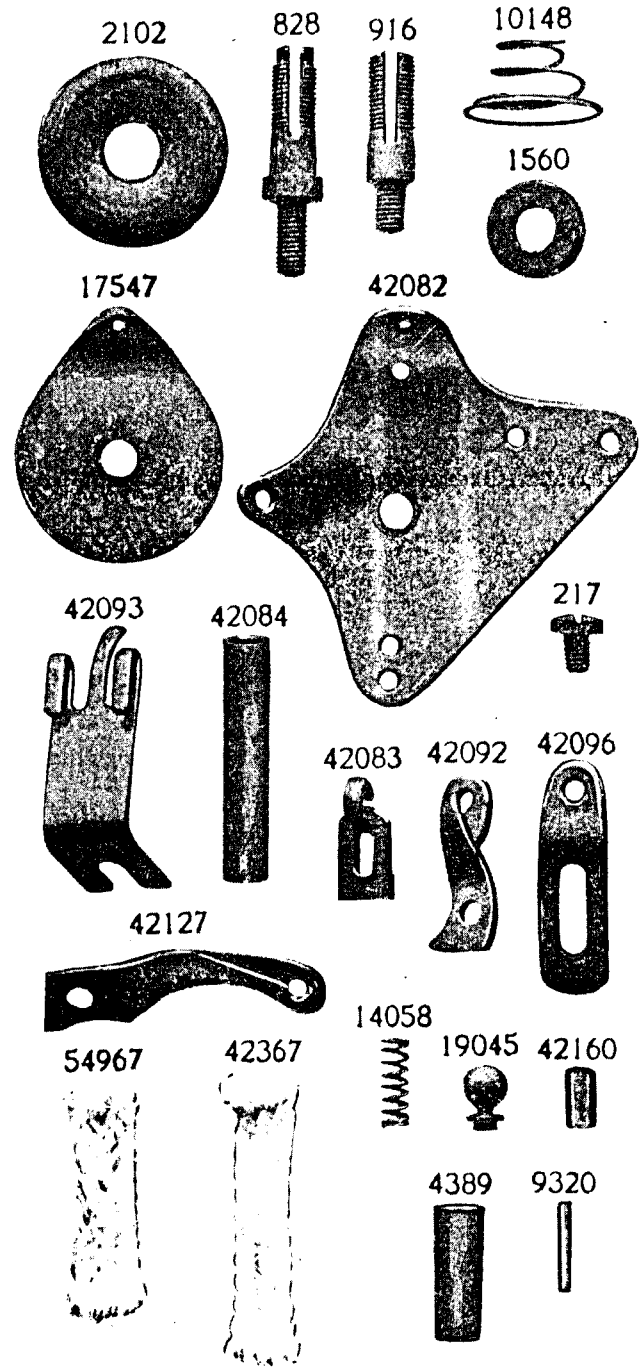


PLATE 5587-FULL SIZE

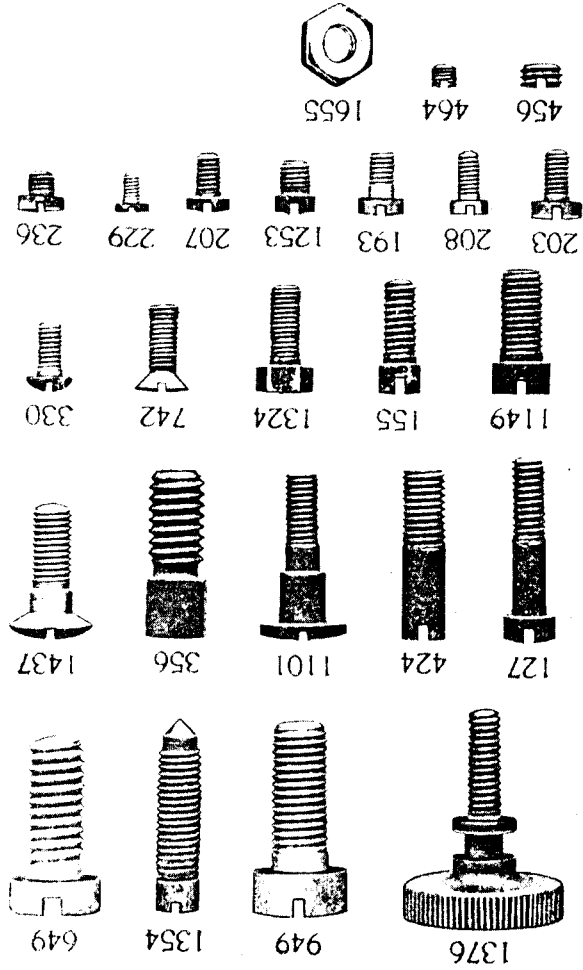


PLATE 5586-FULL SIZE

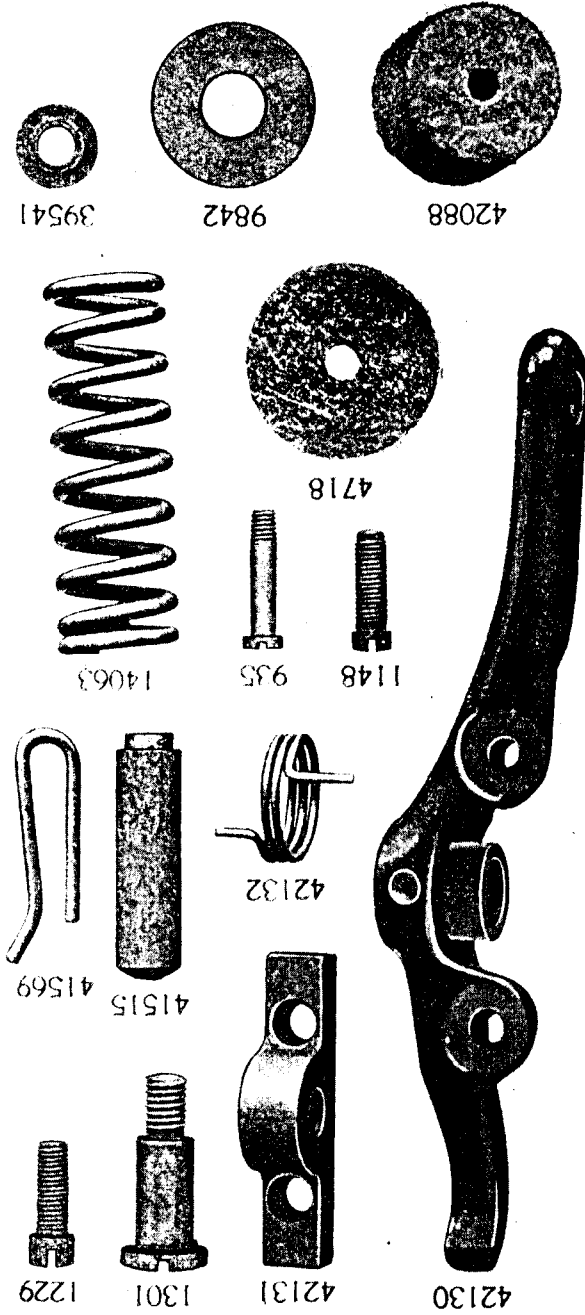


PLATE 7234-ONE-HALF SIZE

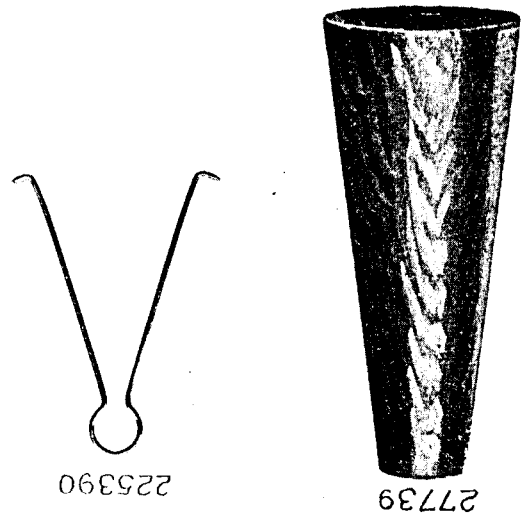


PLATE 7396-FULL SIZE

