

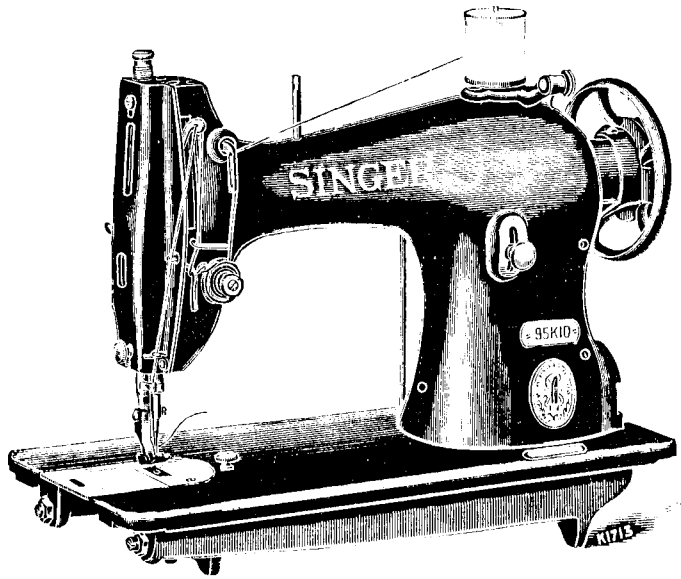
**SINGER**  
**95K10,K11**

Form K3600 Rev.  
(Sup. K2227)  
May, 1933

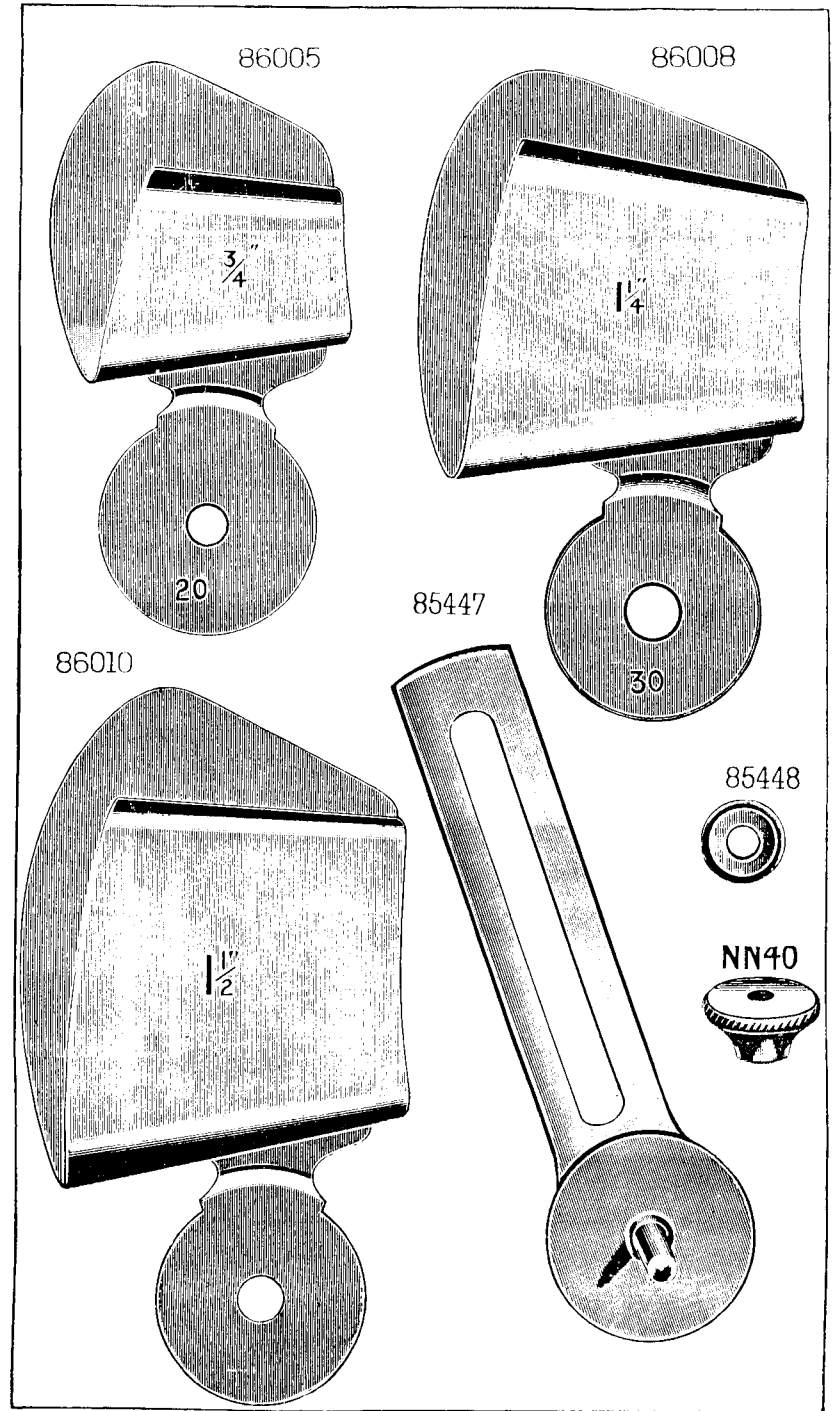
# Illustrated List of Parts

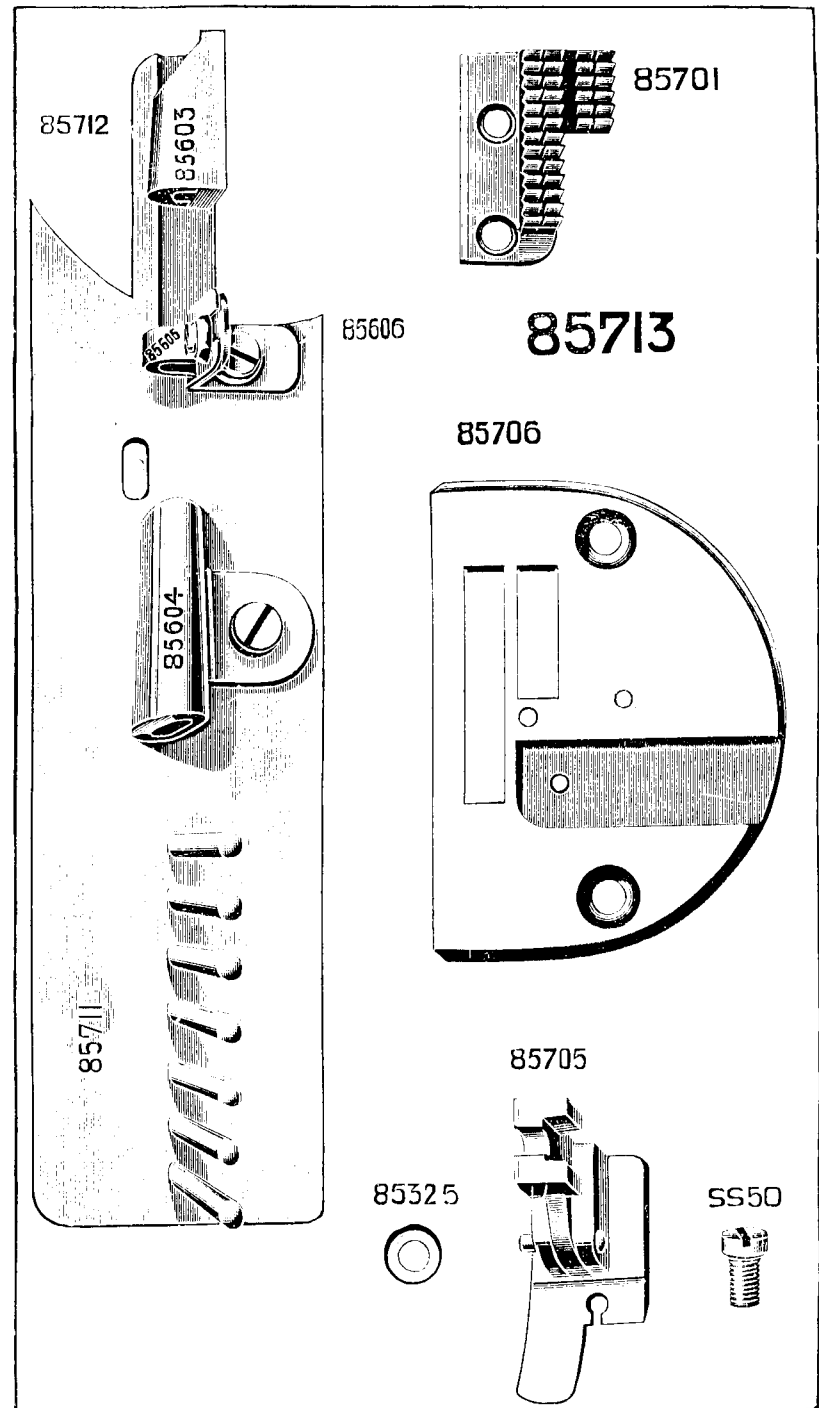
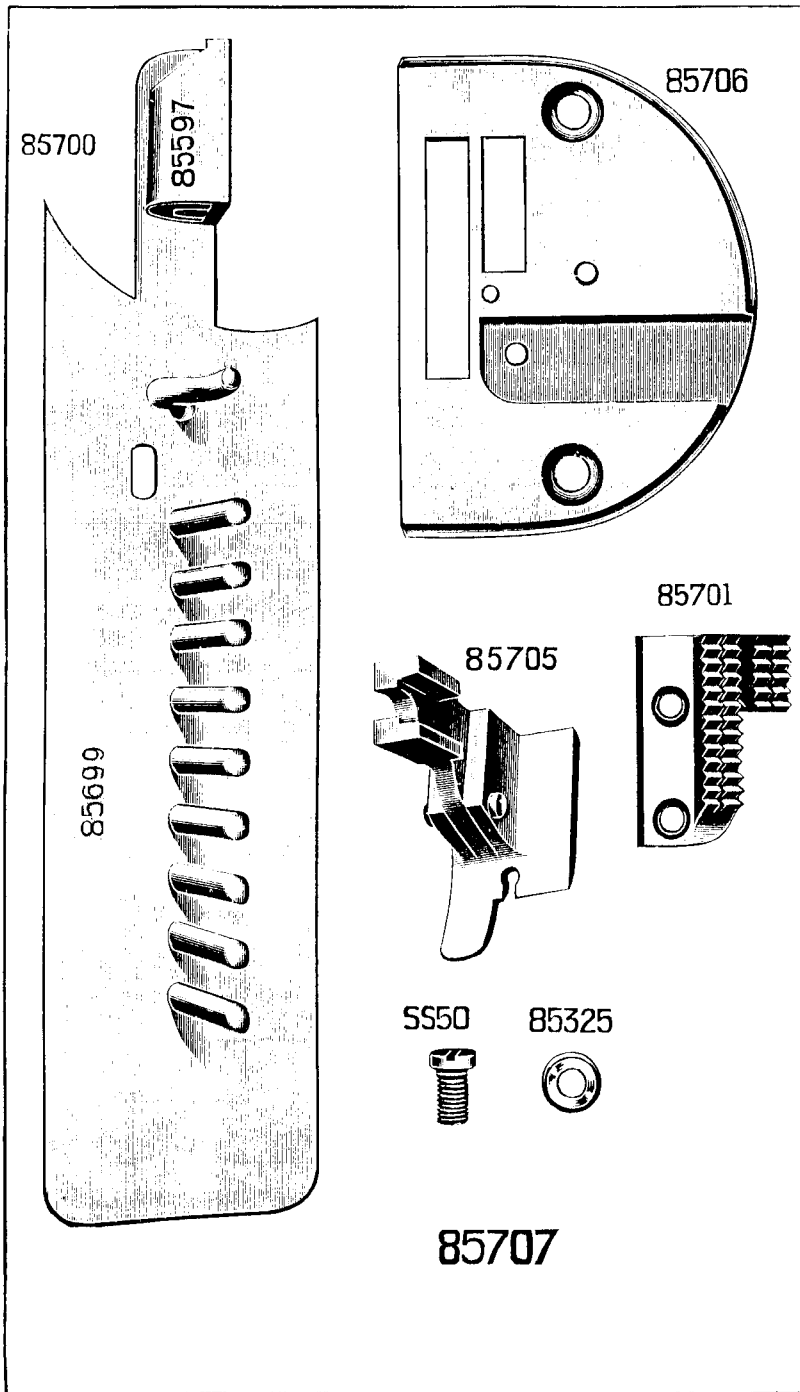
FOR

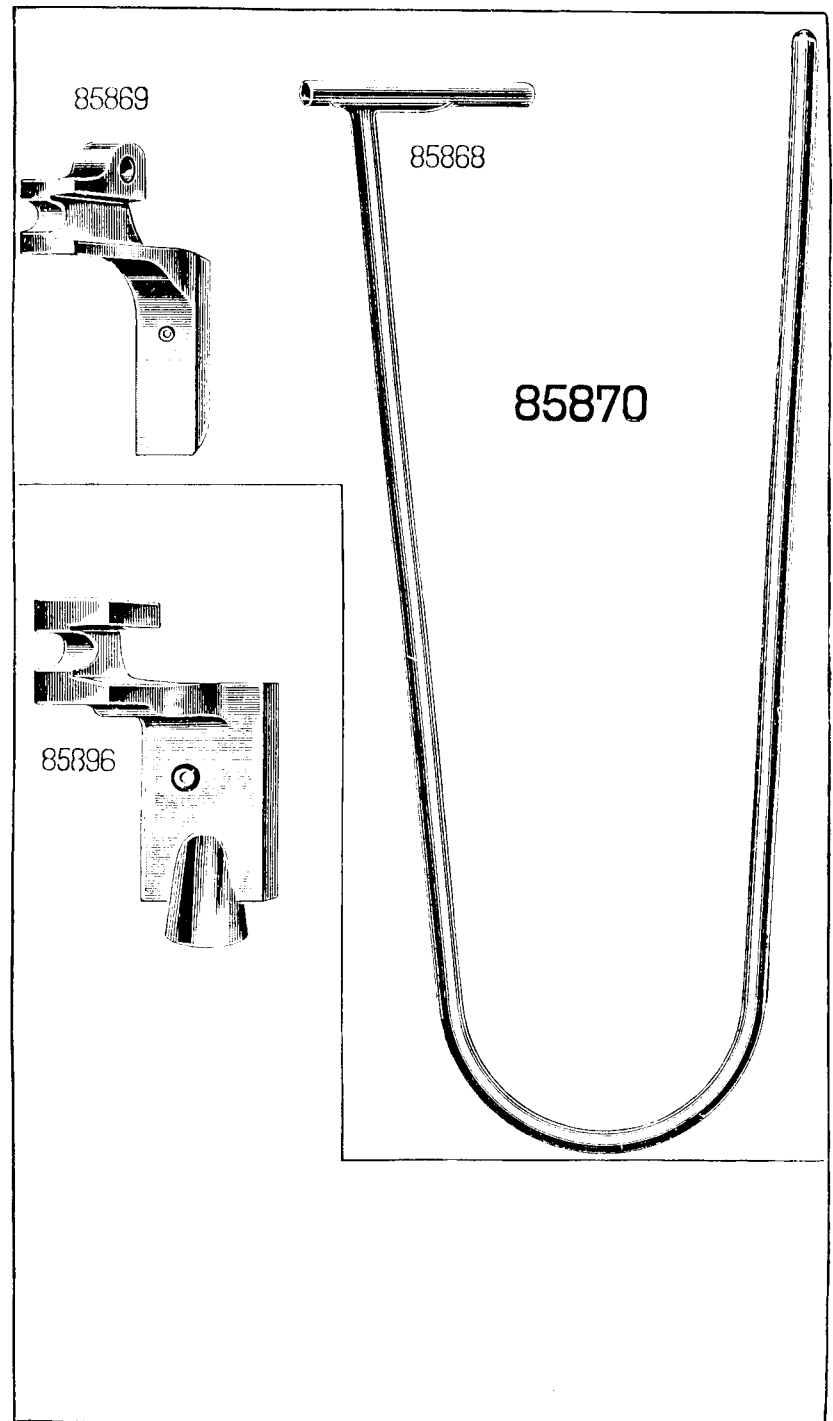
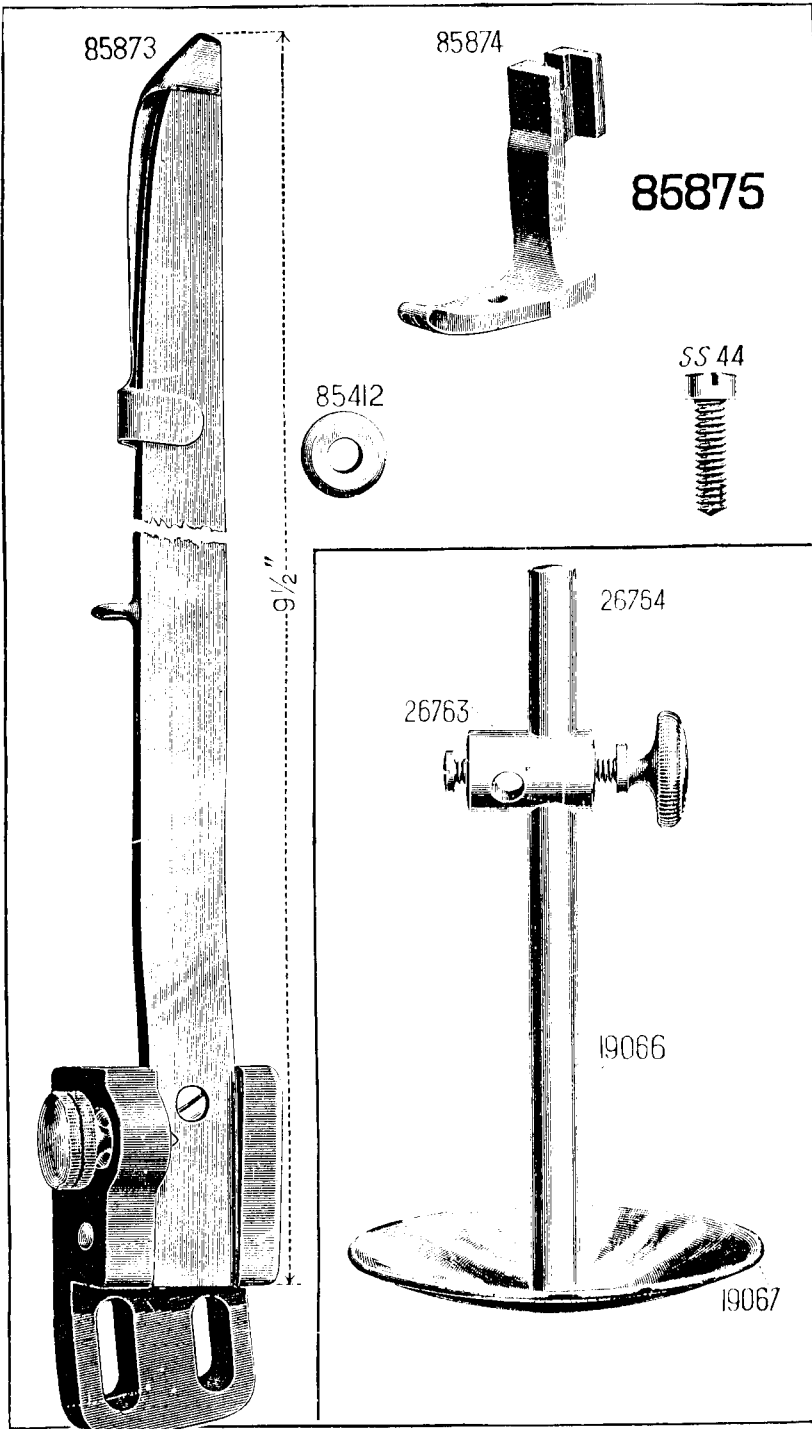
Nos. 95K10 and 95K11  
Machines

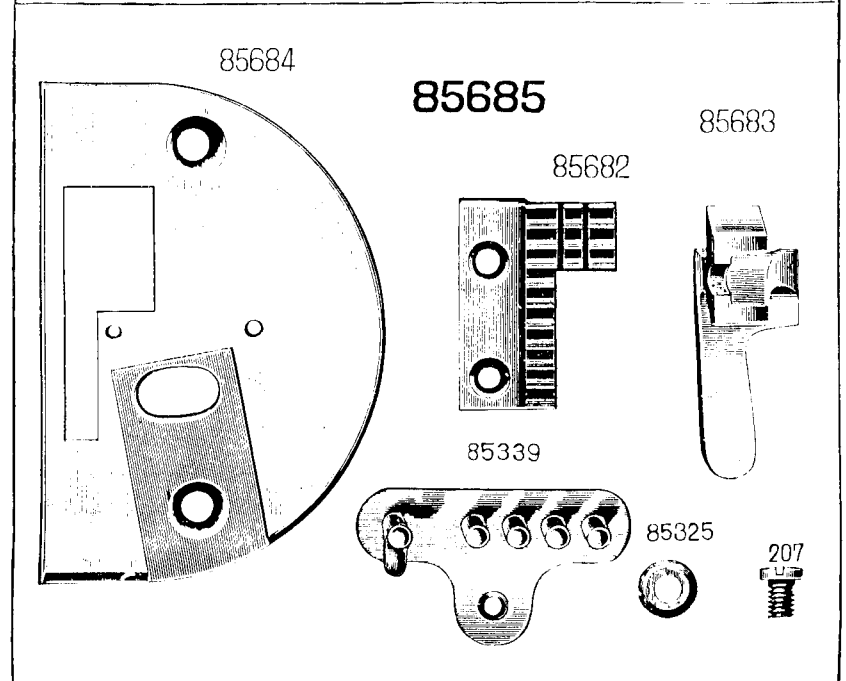
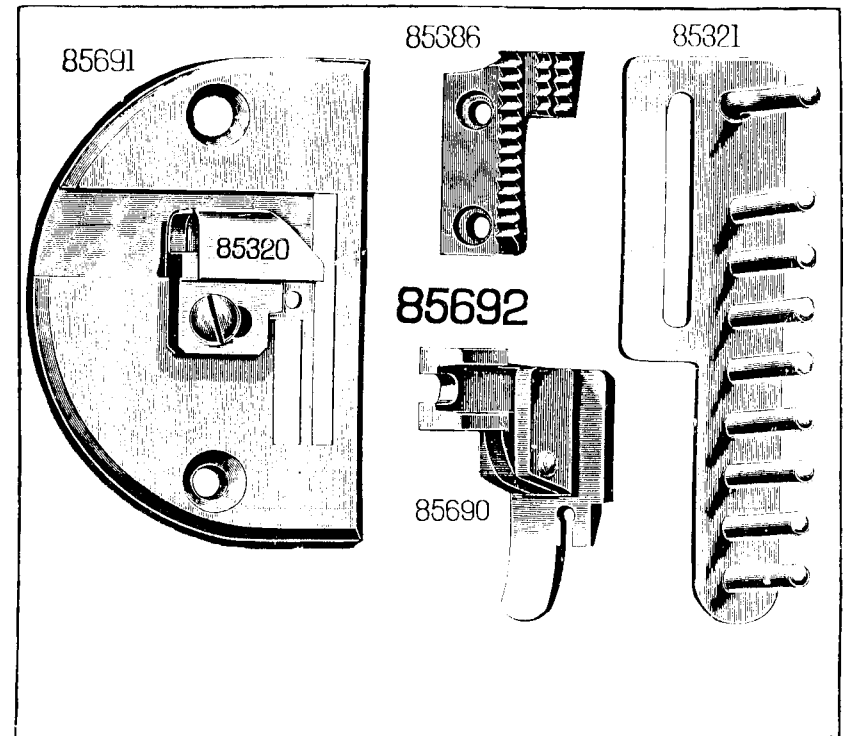
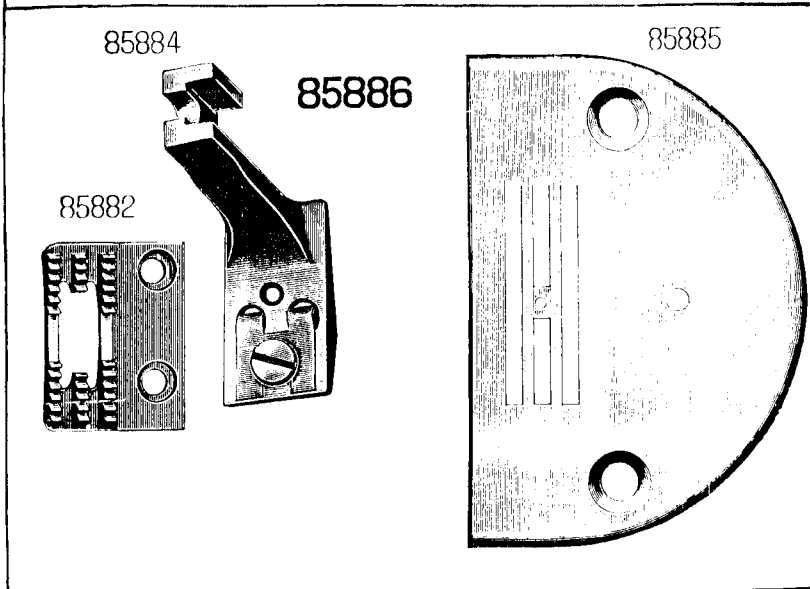
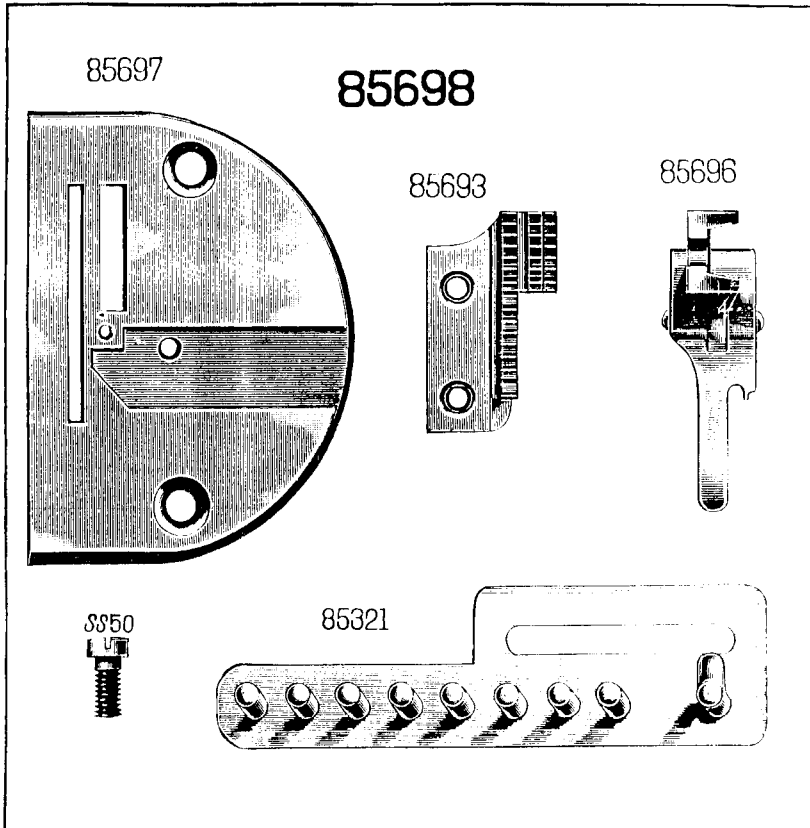


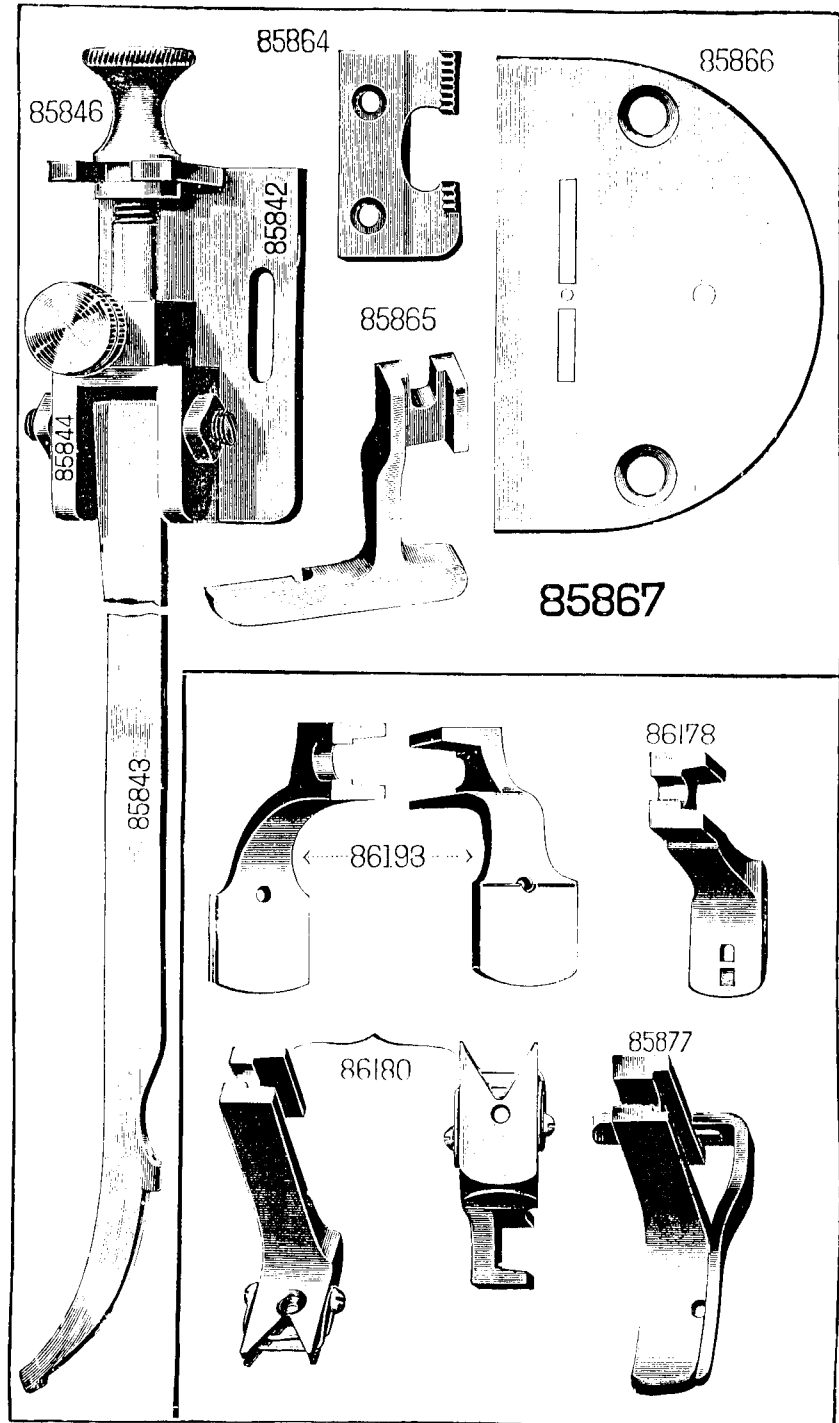
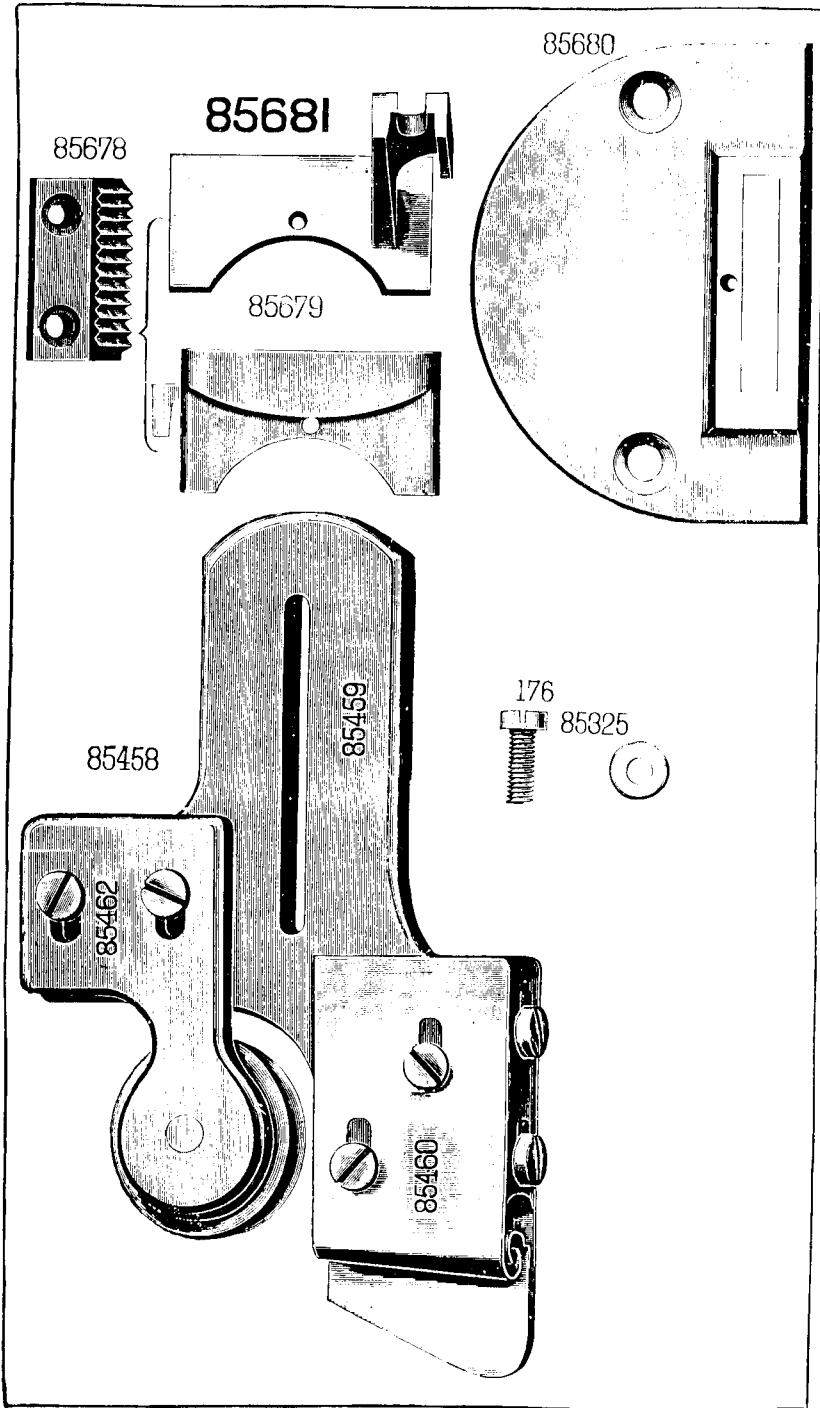
The Singer Manufacturing Company

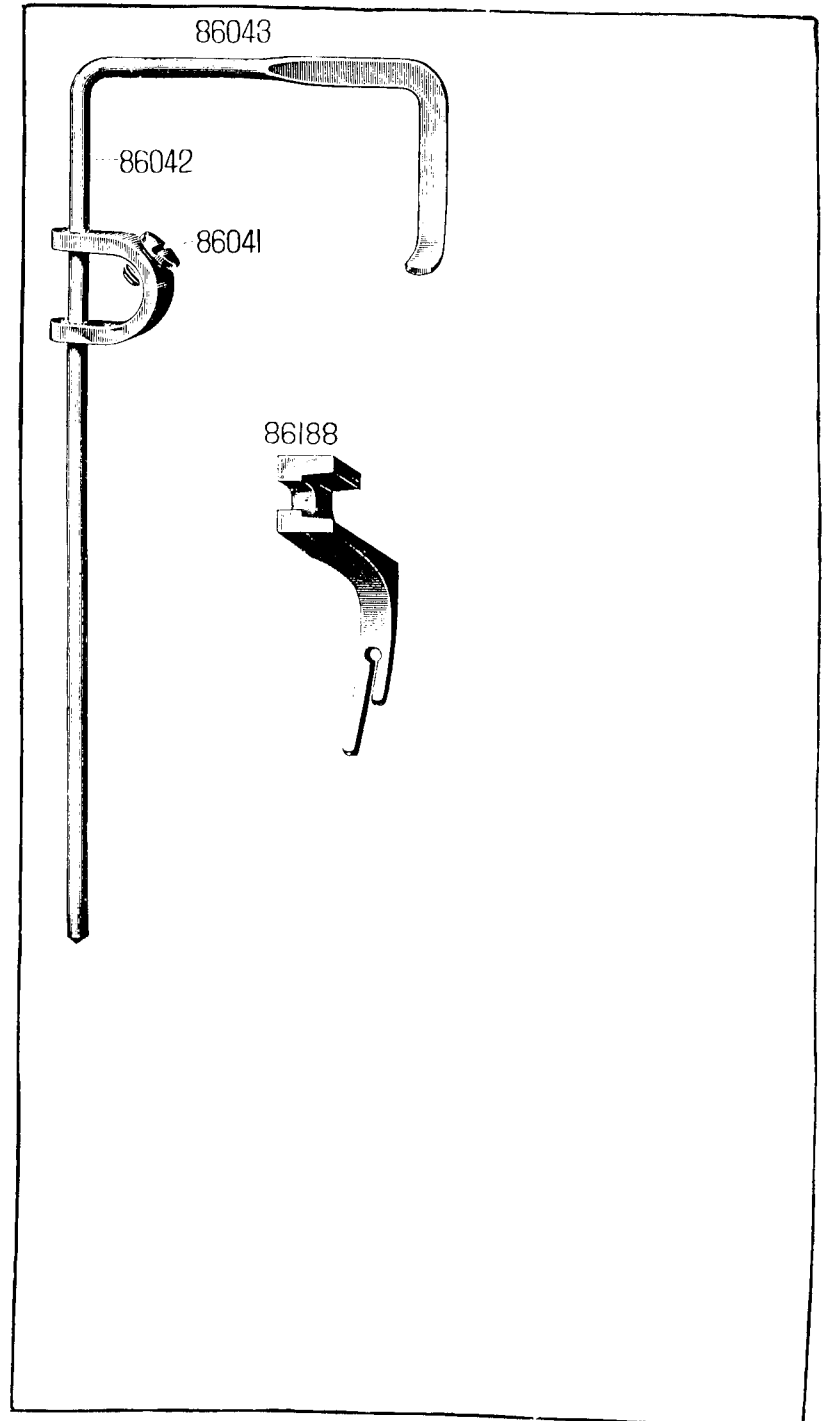
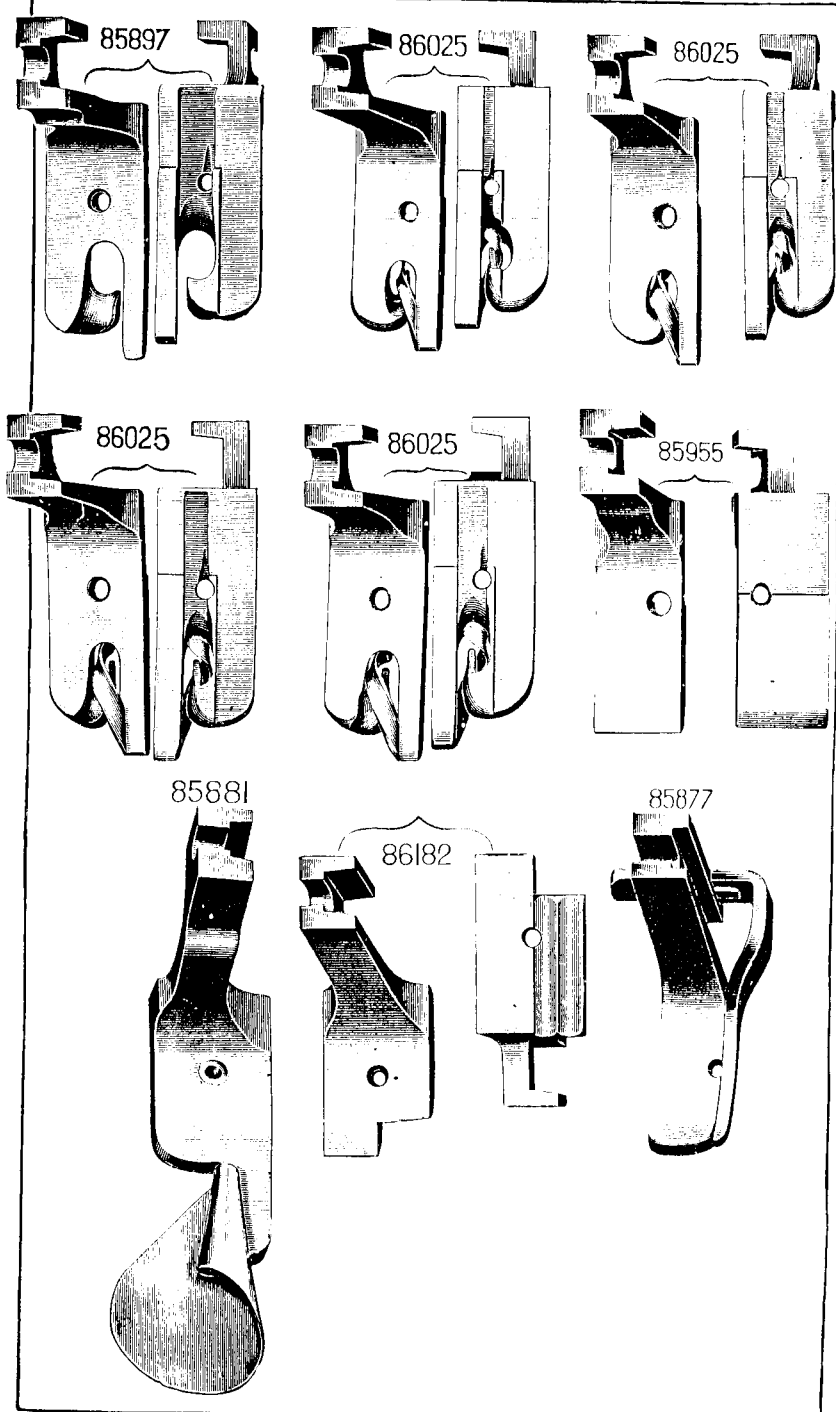




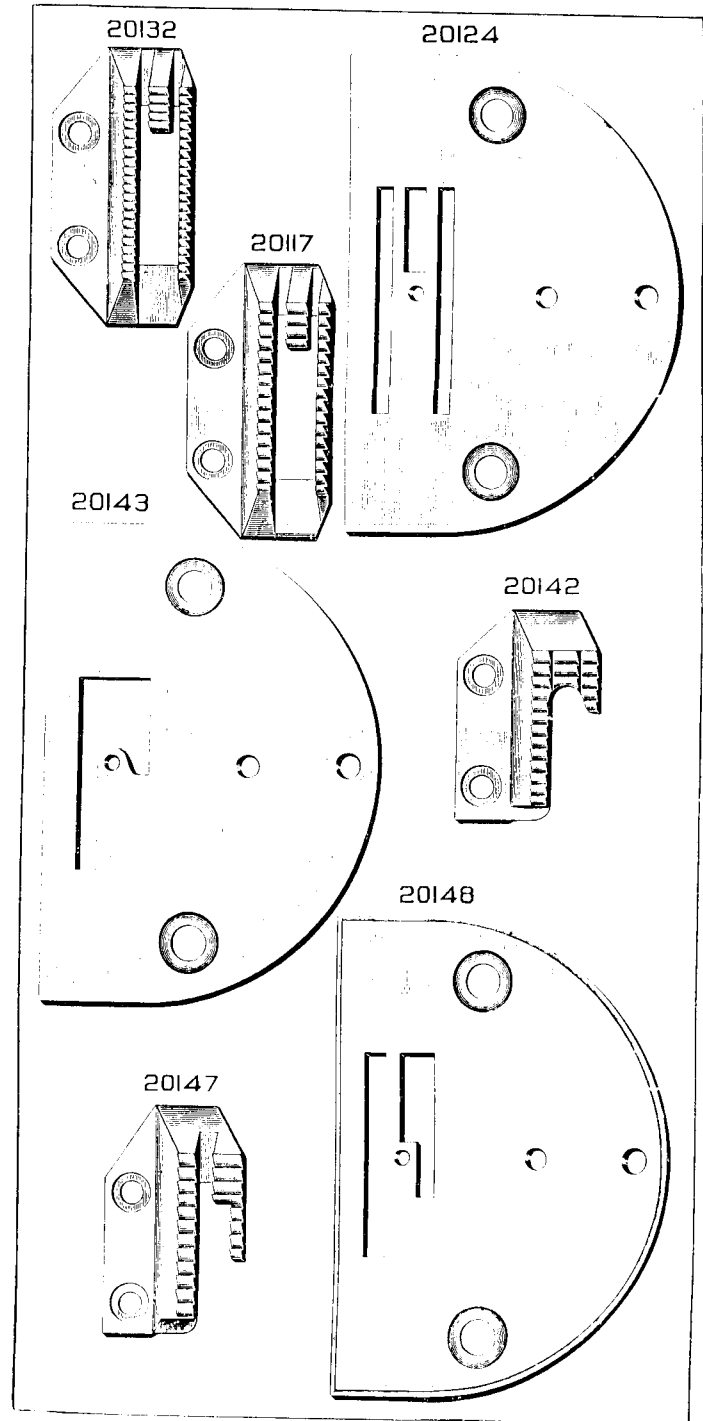
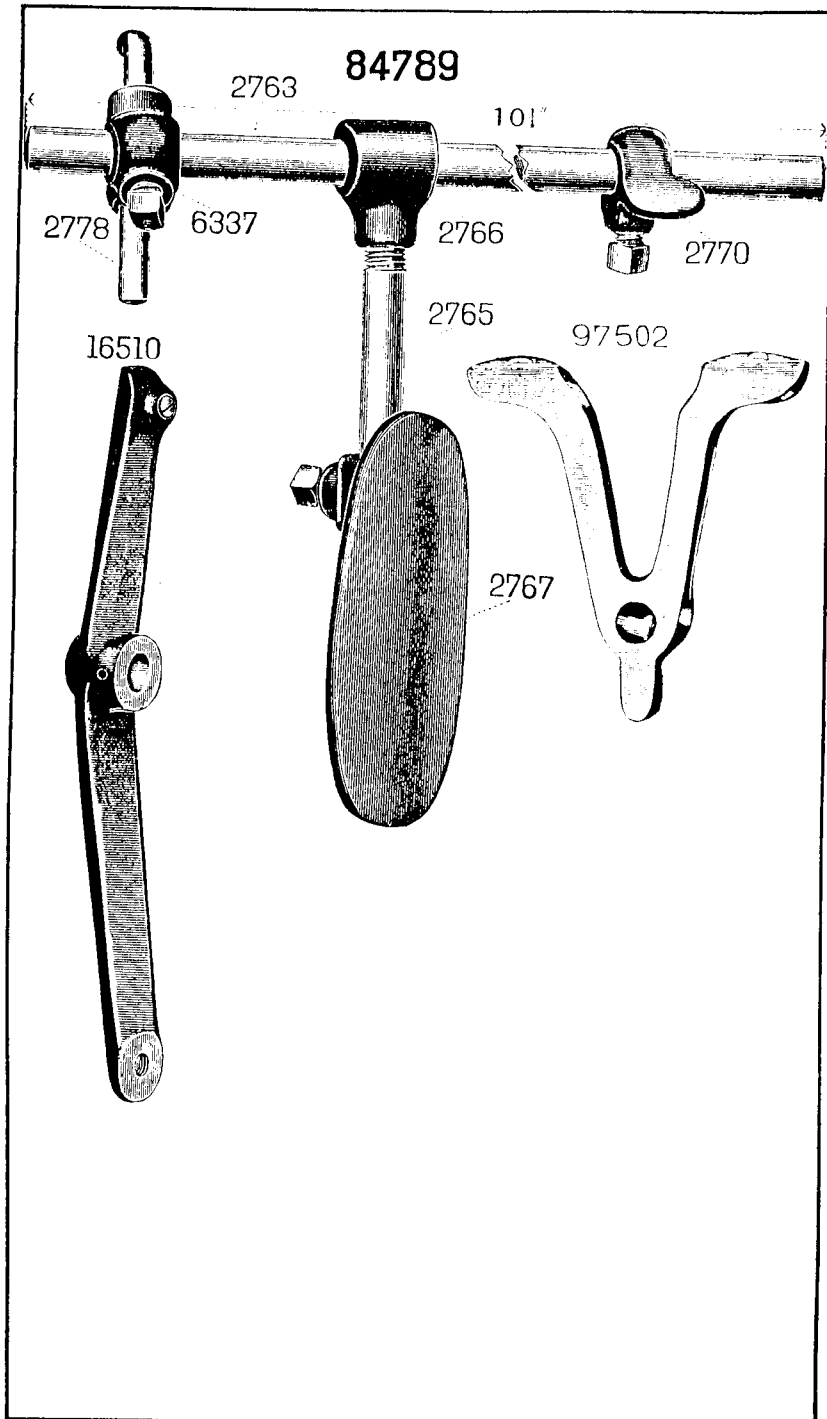


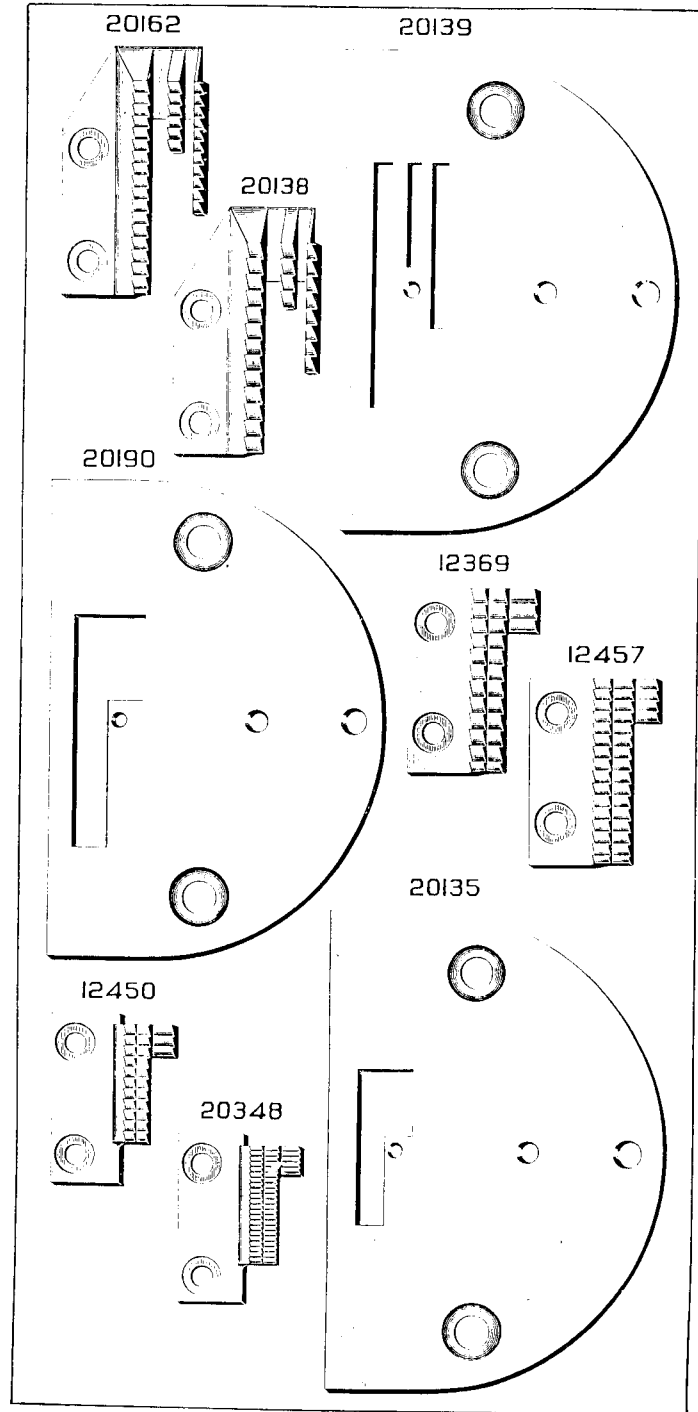
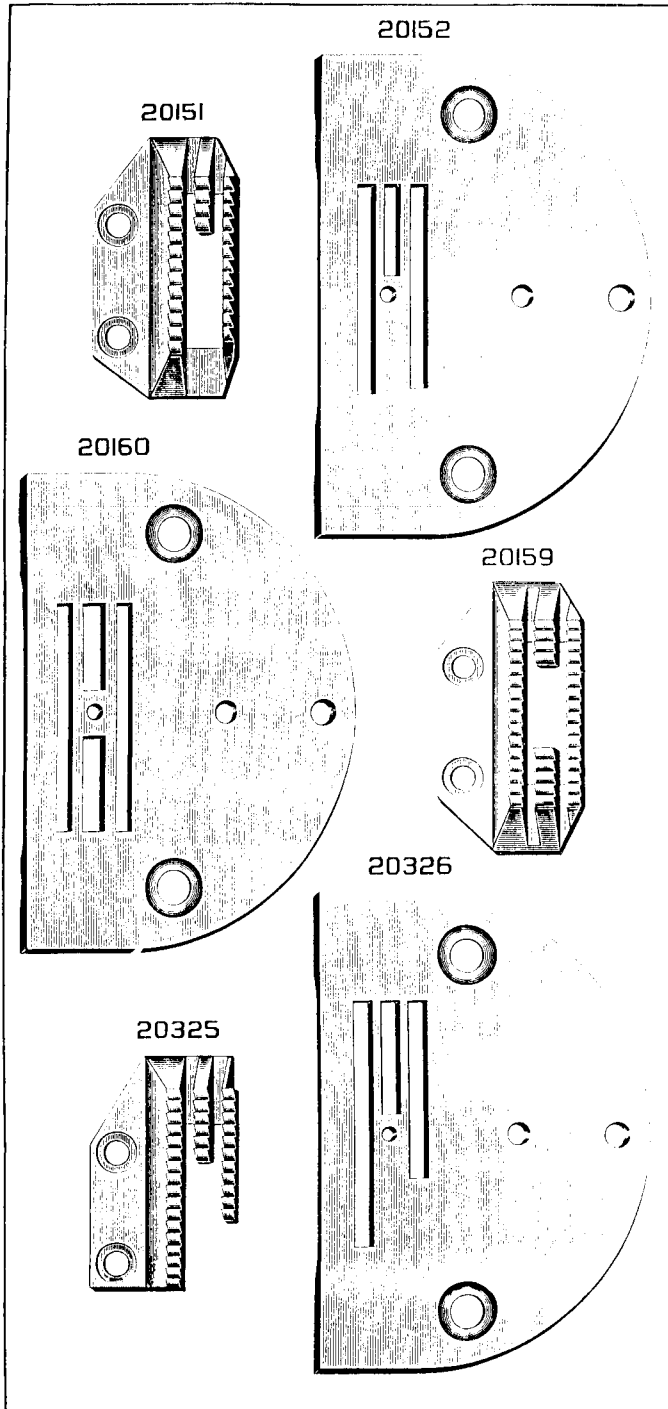


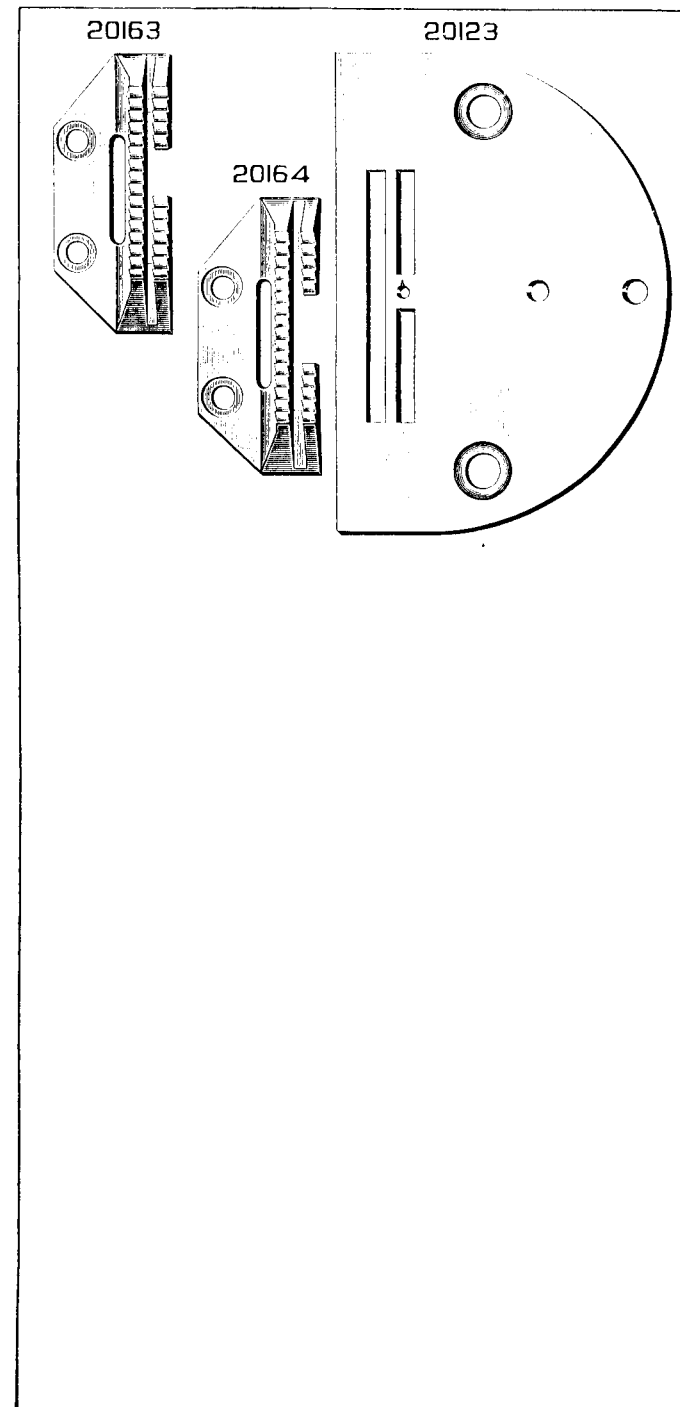
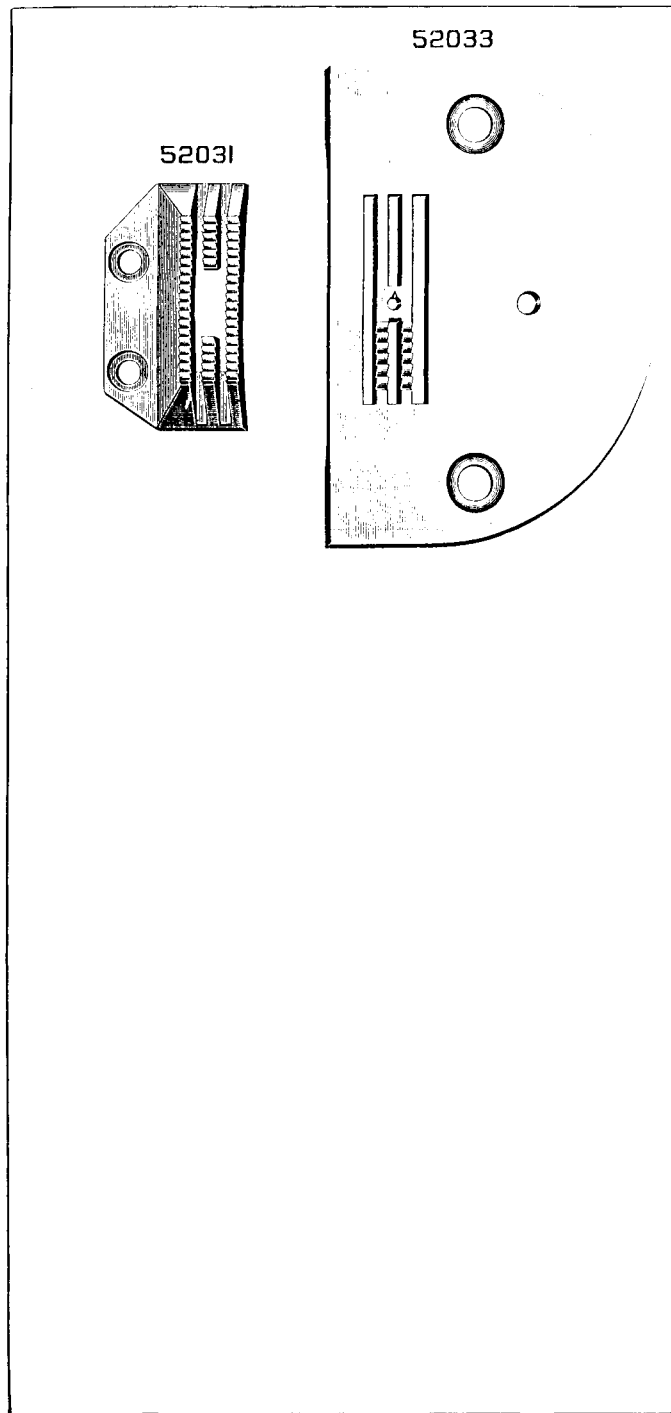


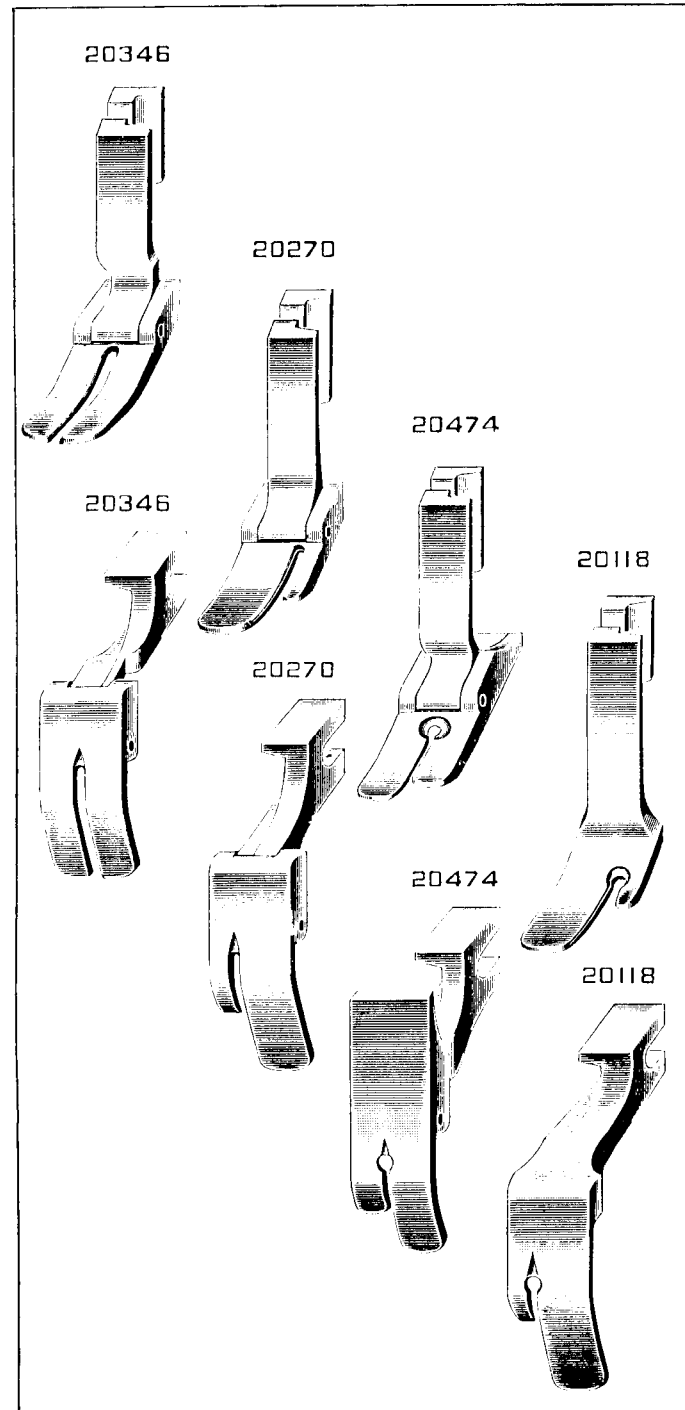
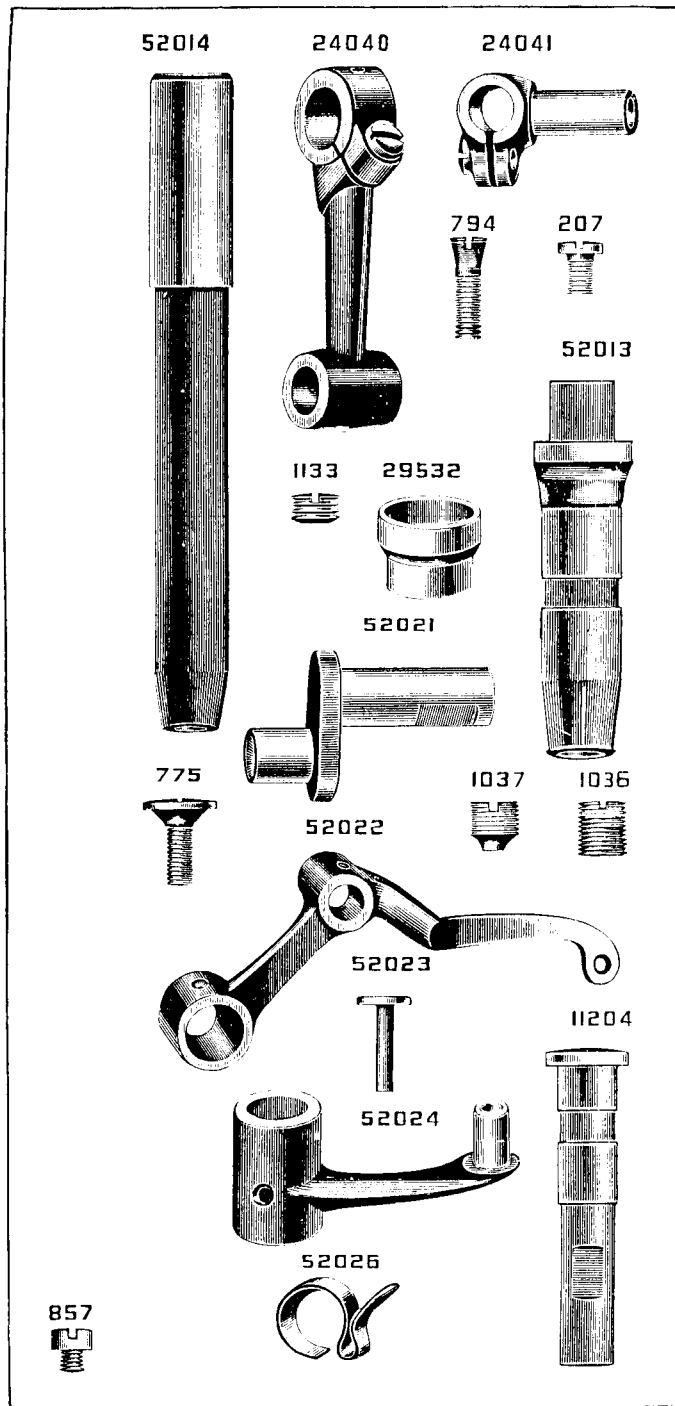


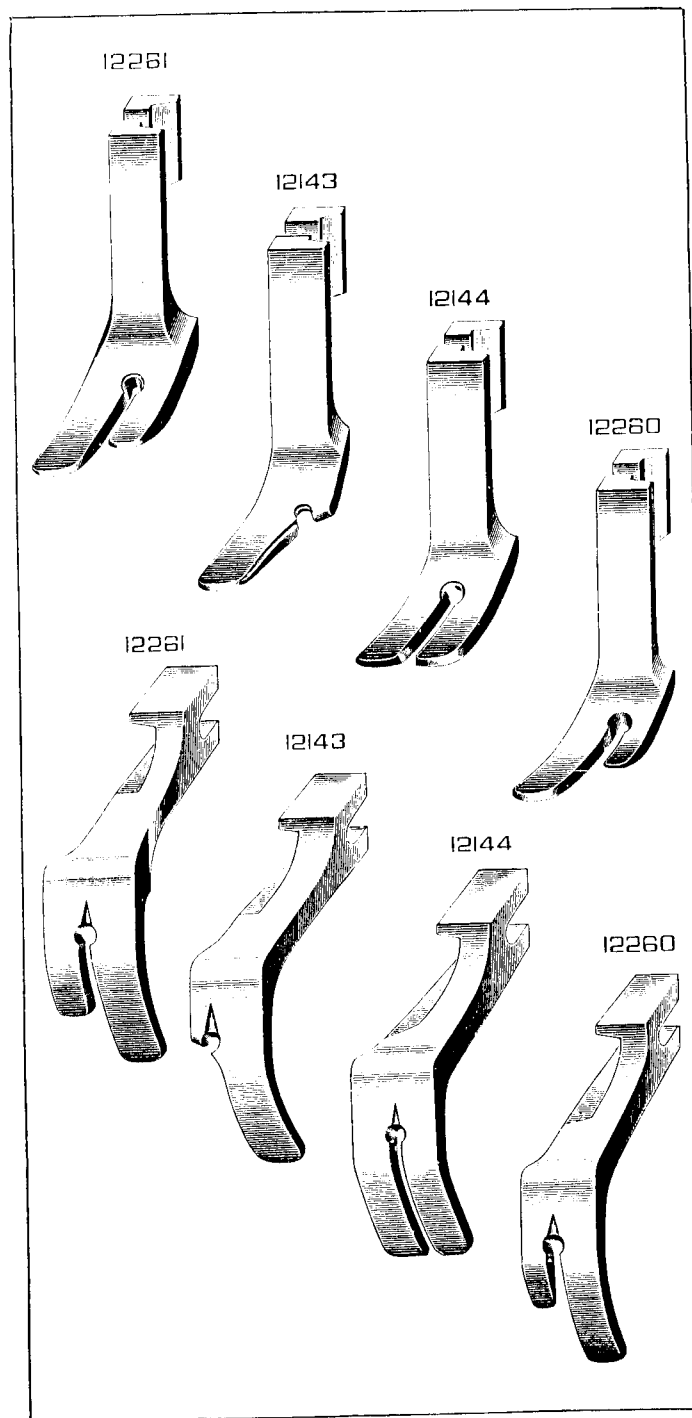
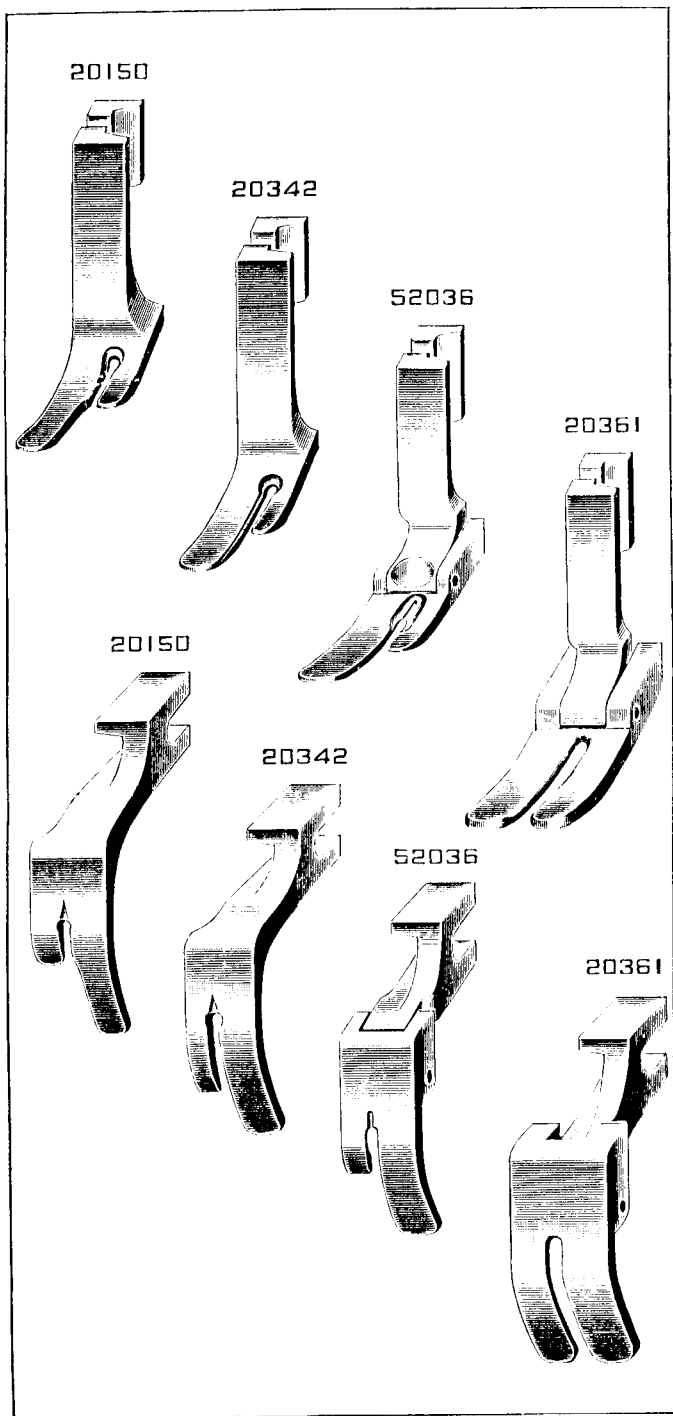


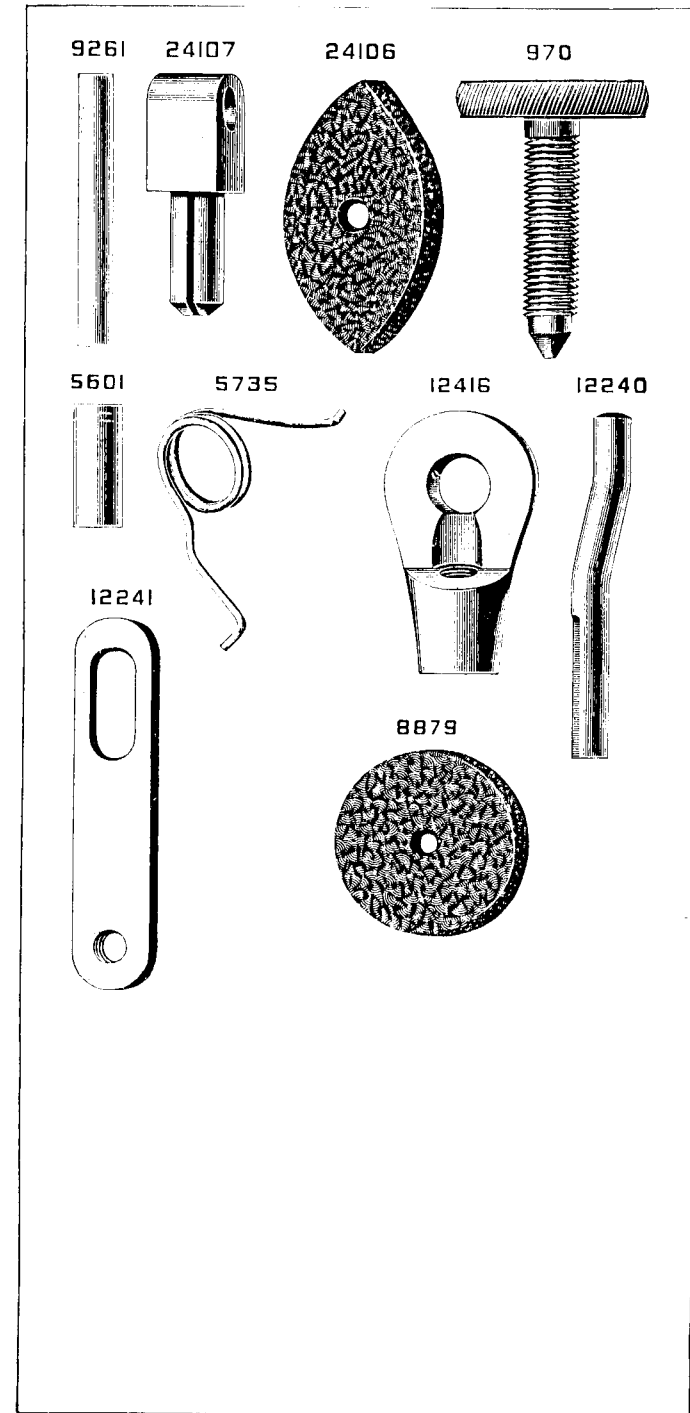
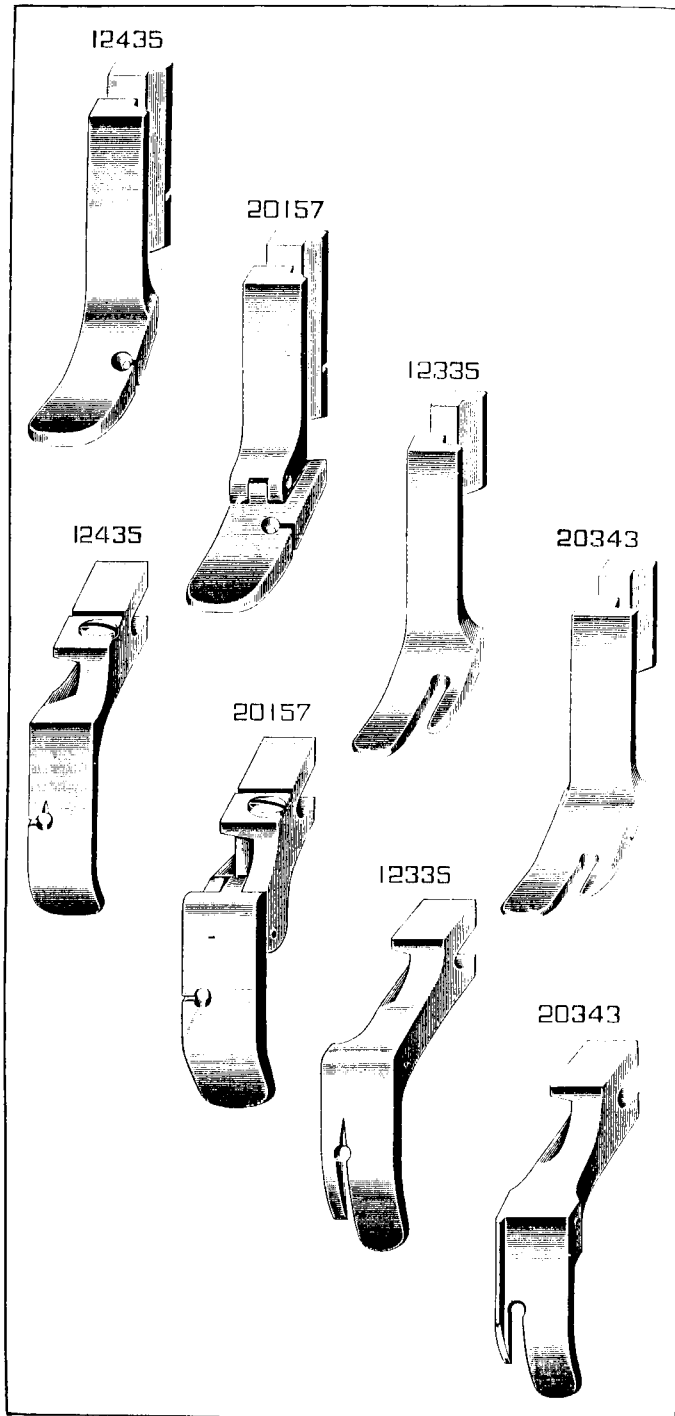


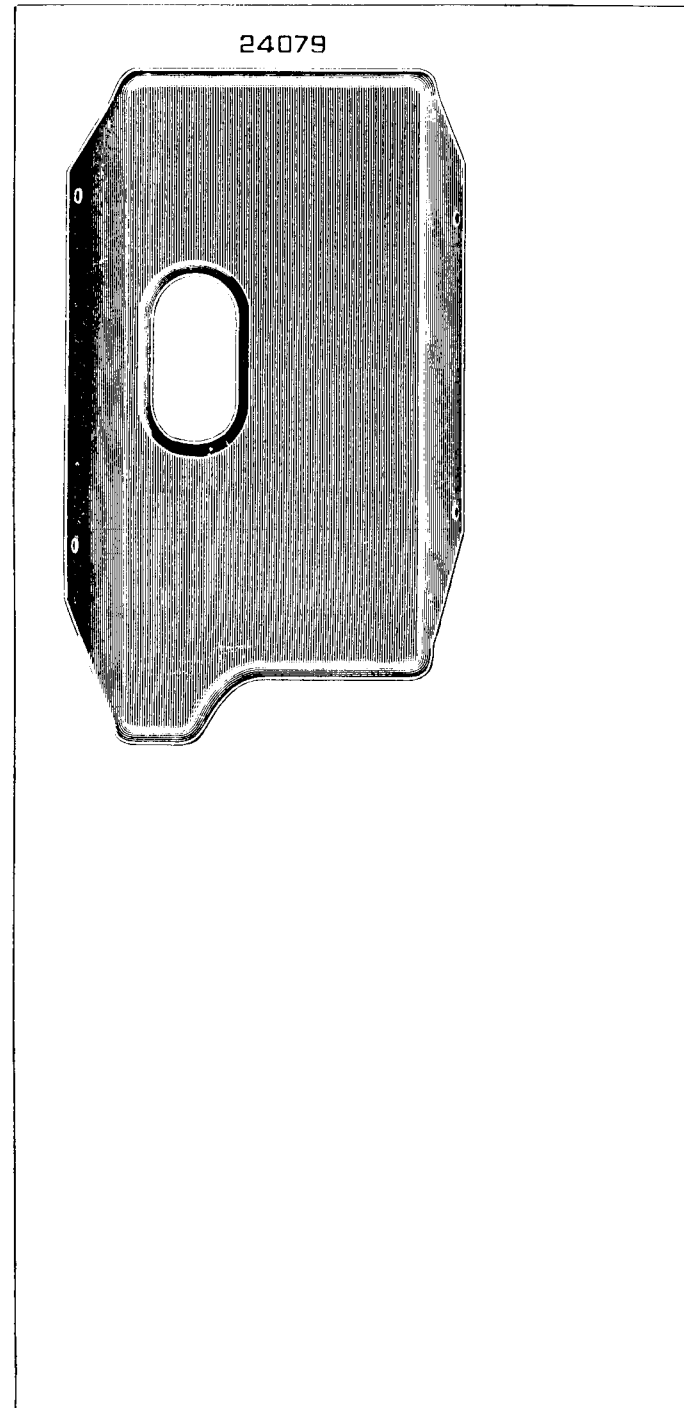
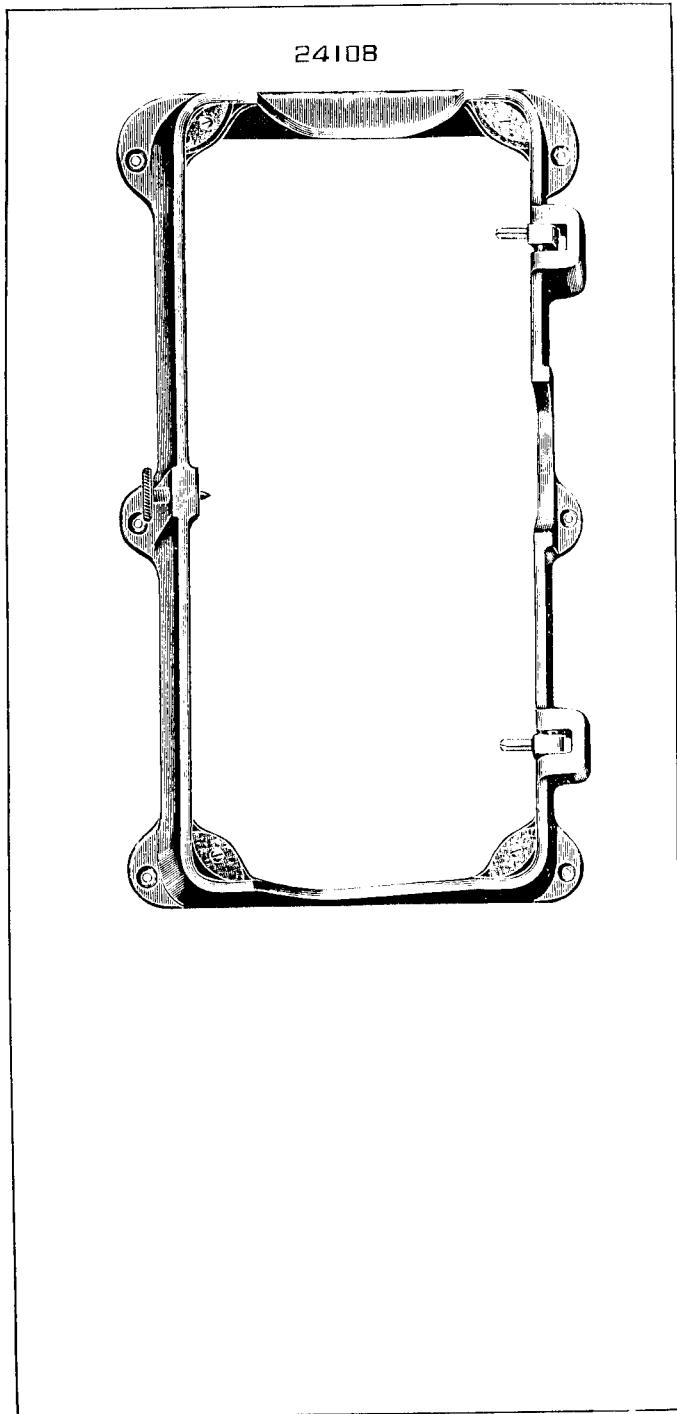


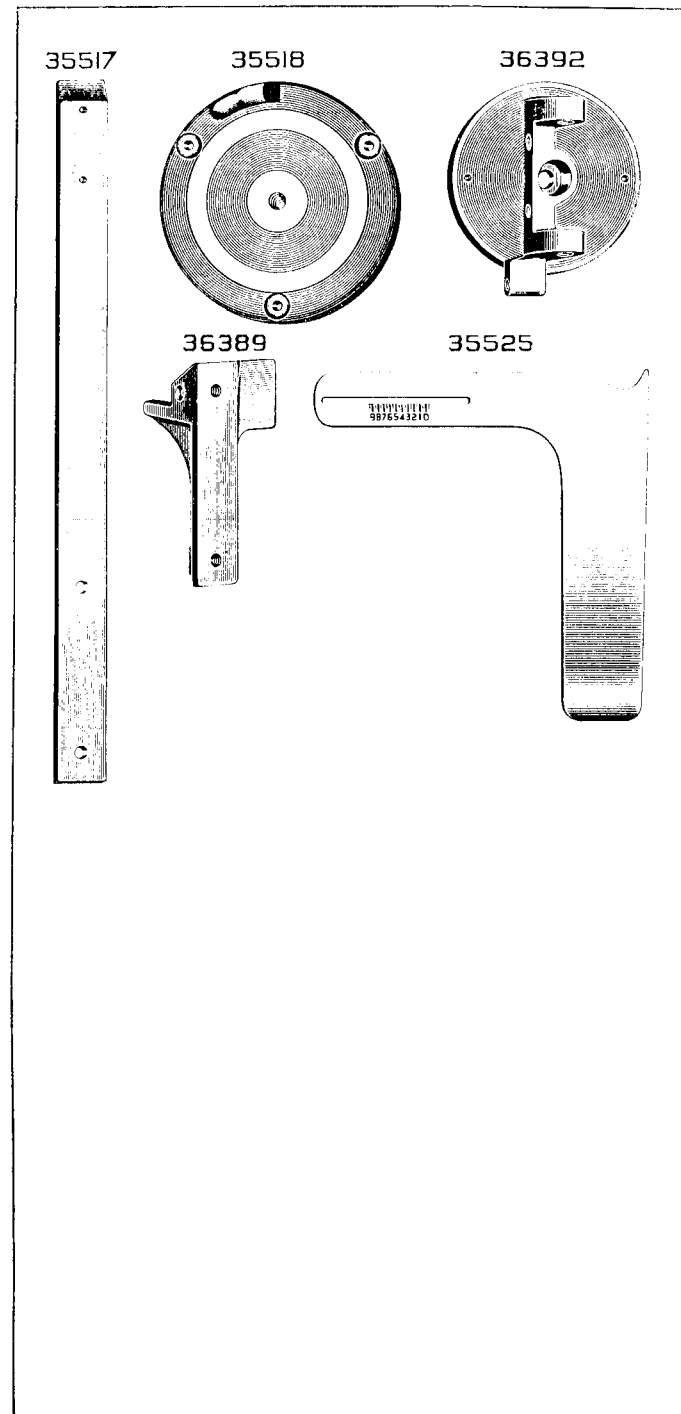
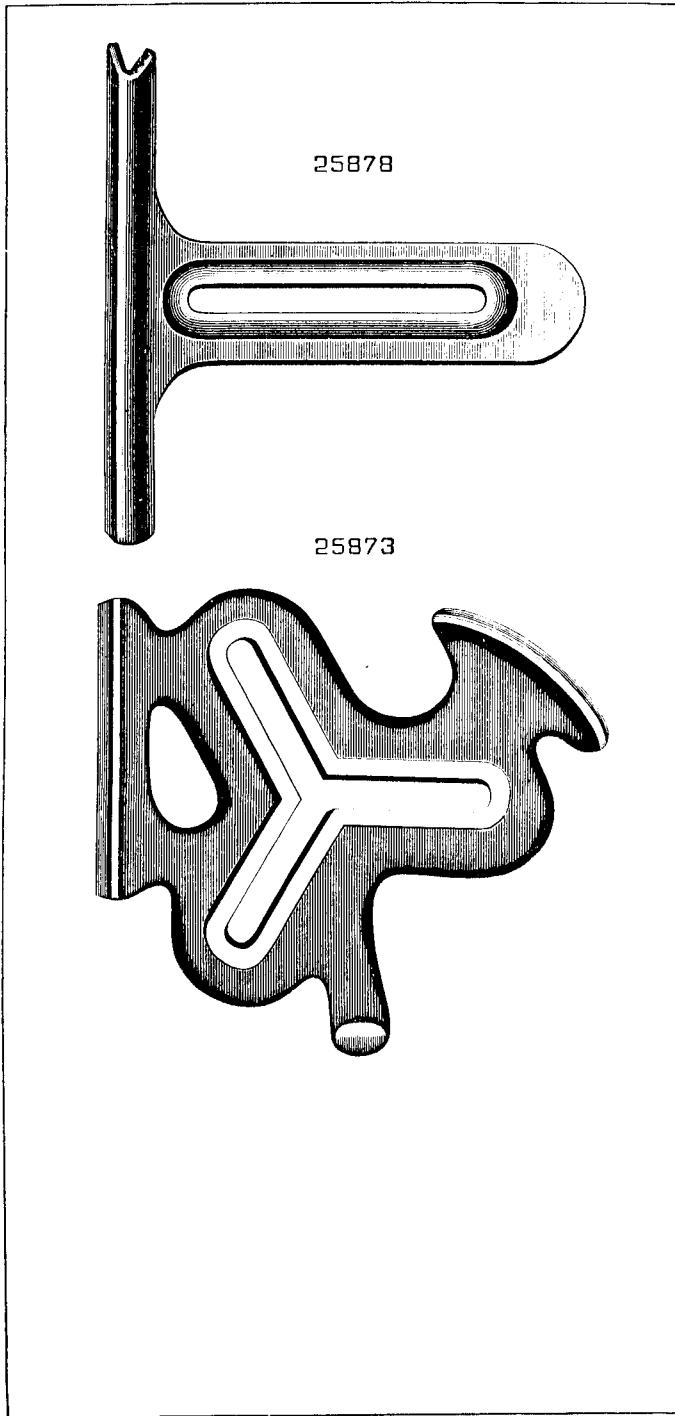




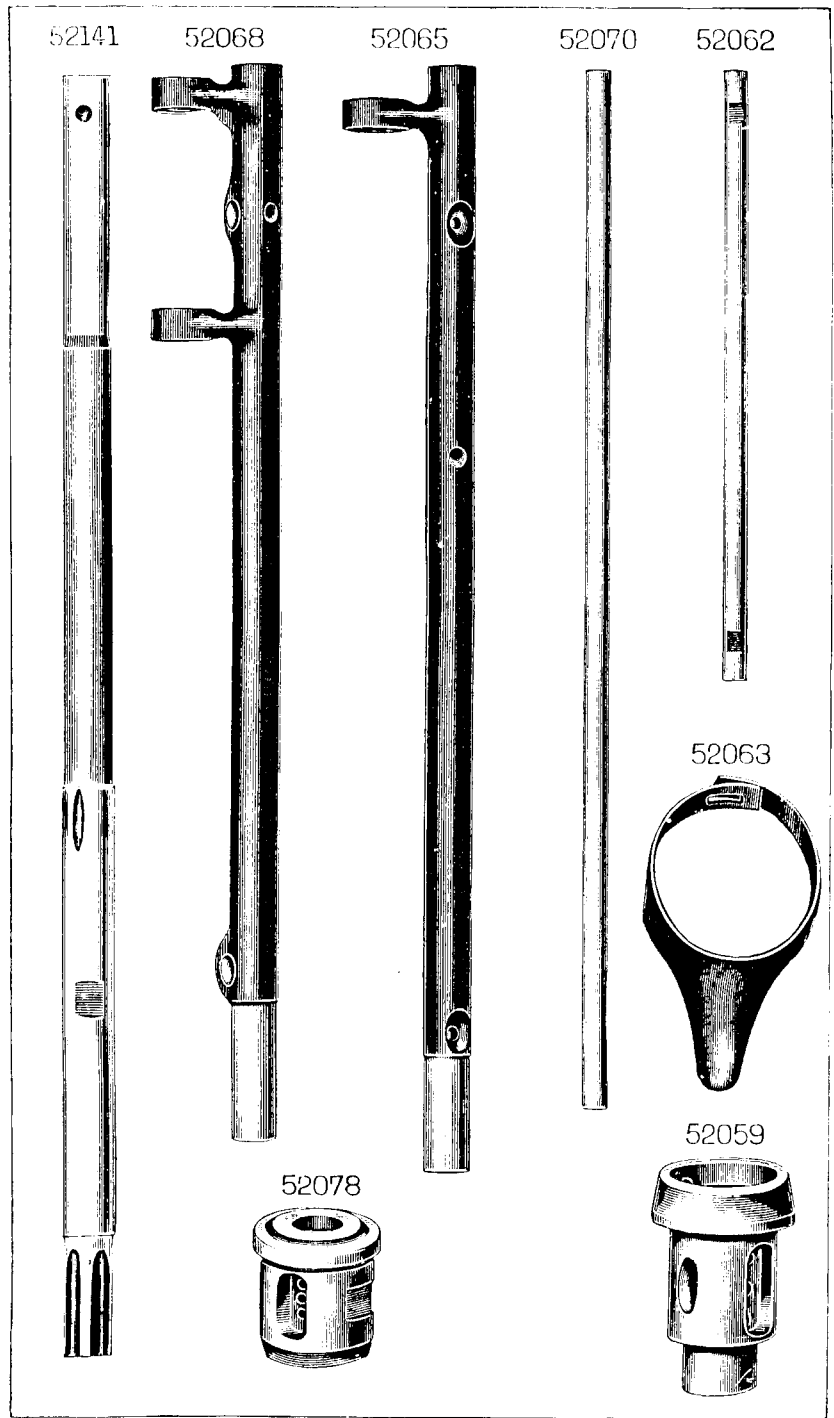
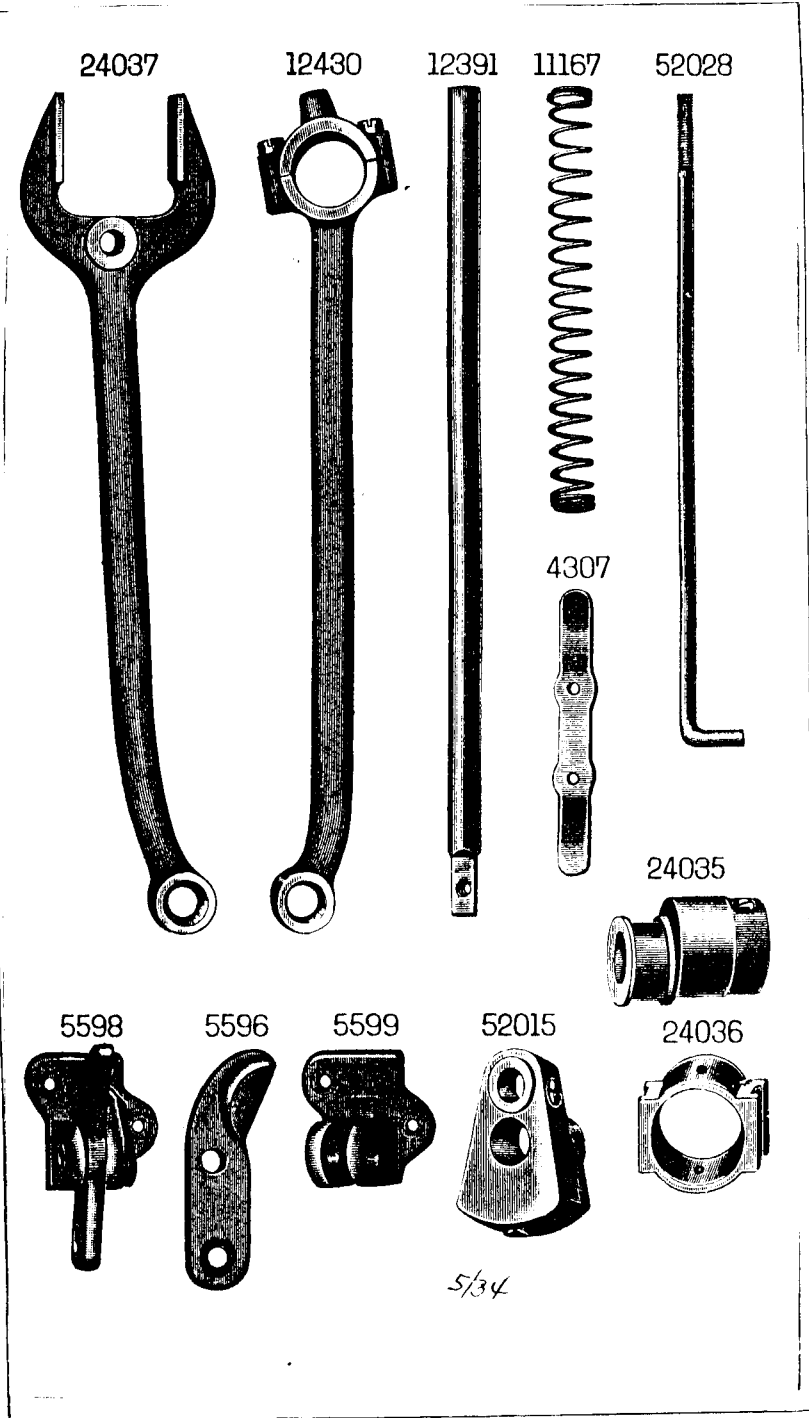


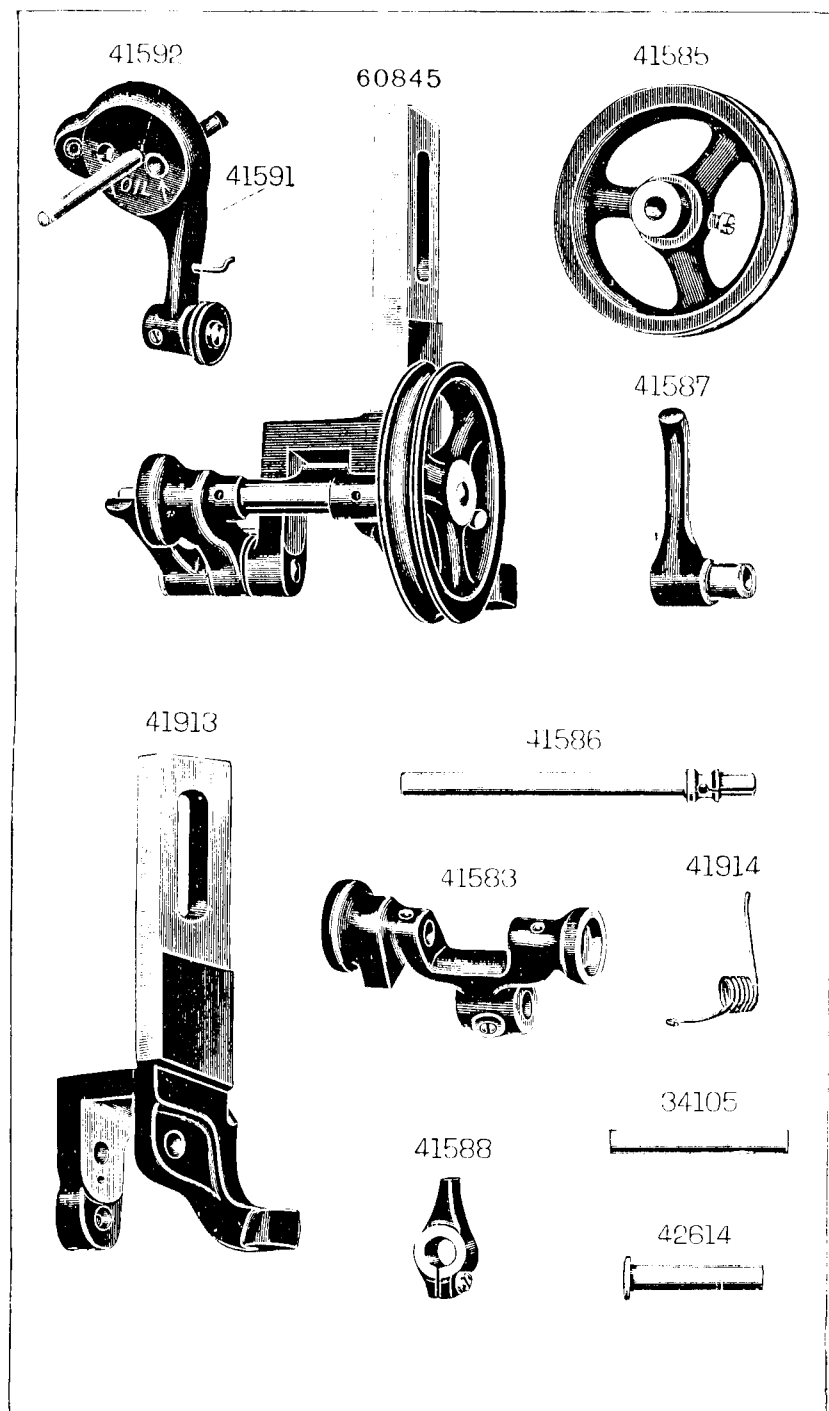
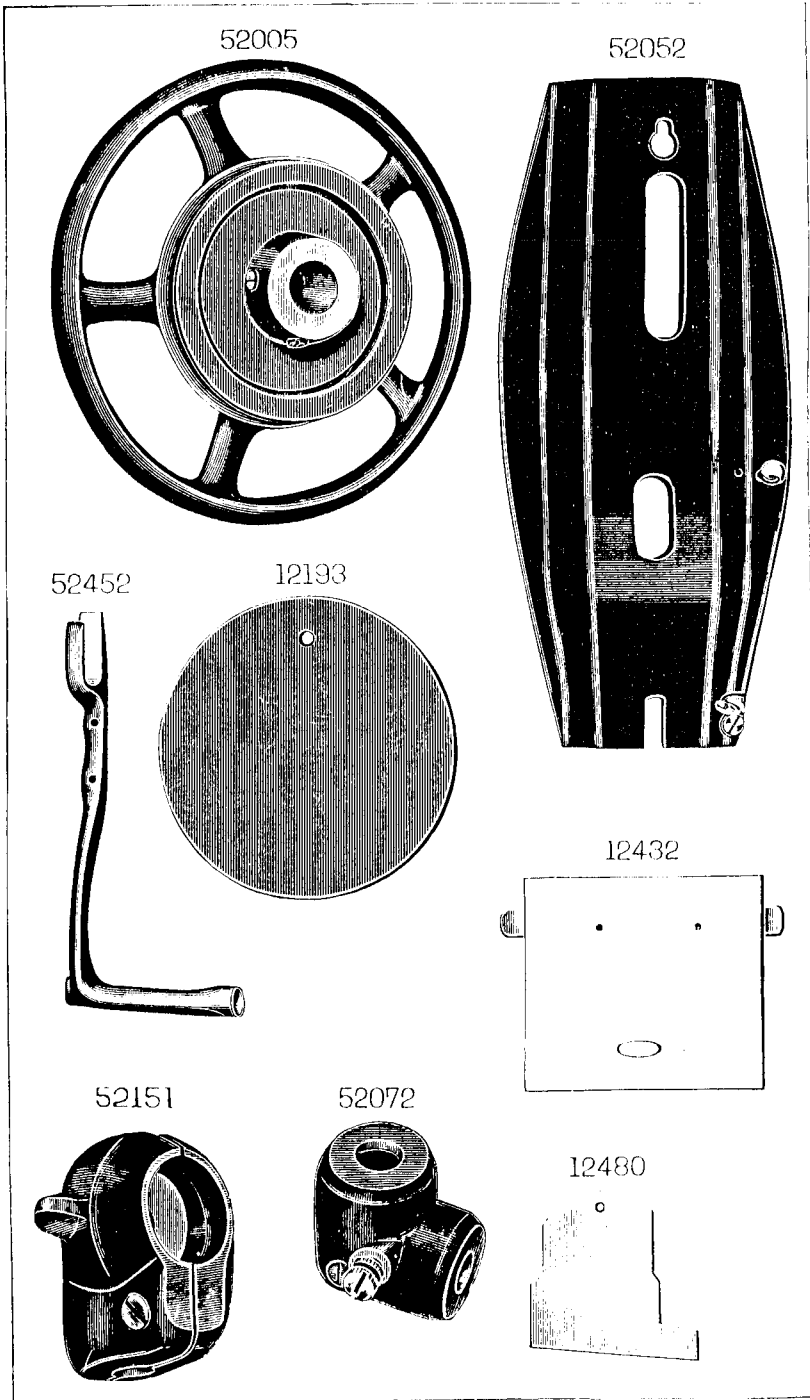


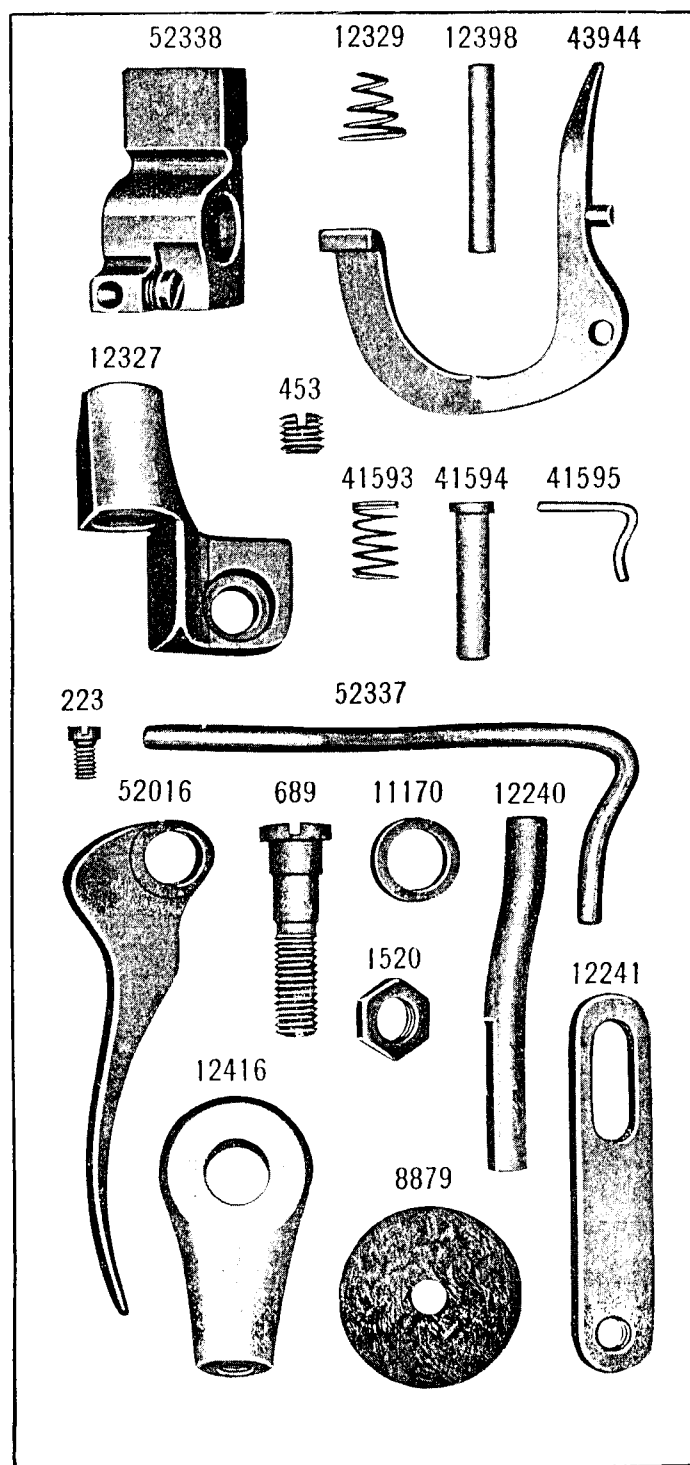
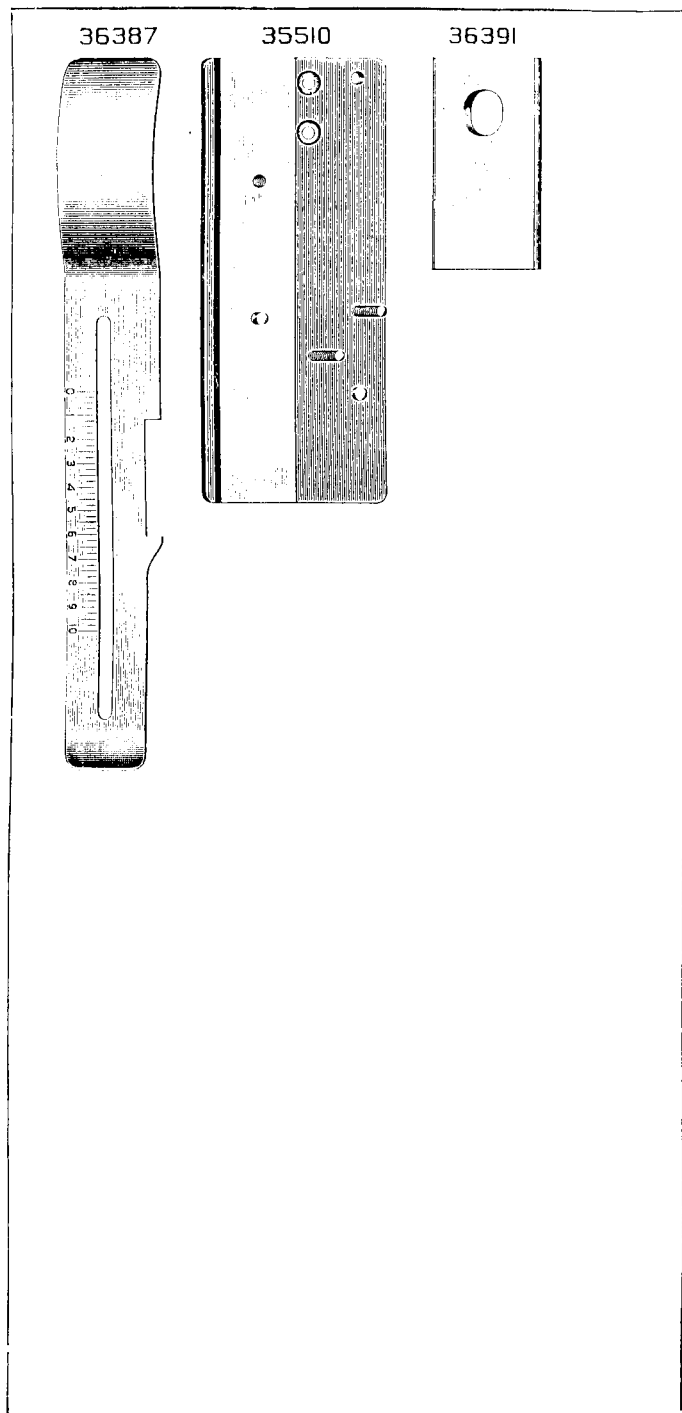


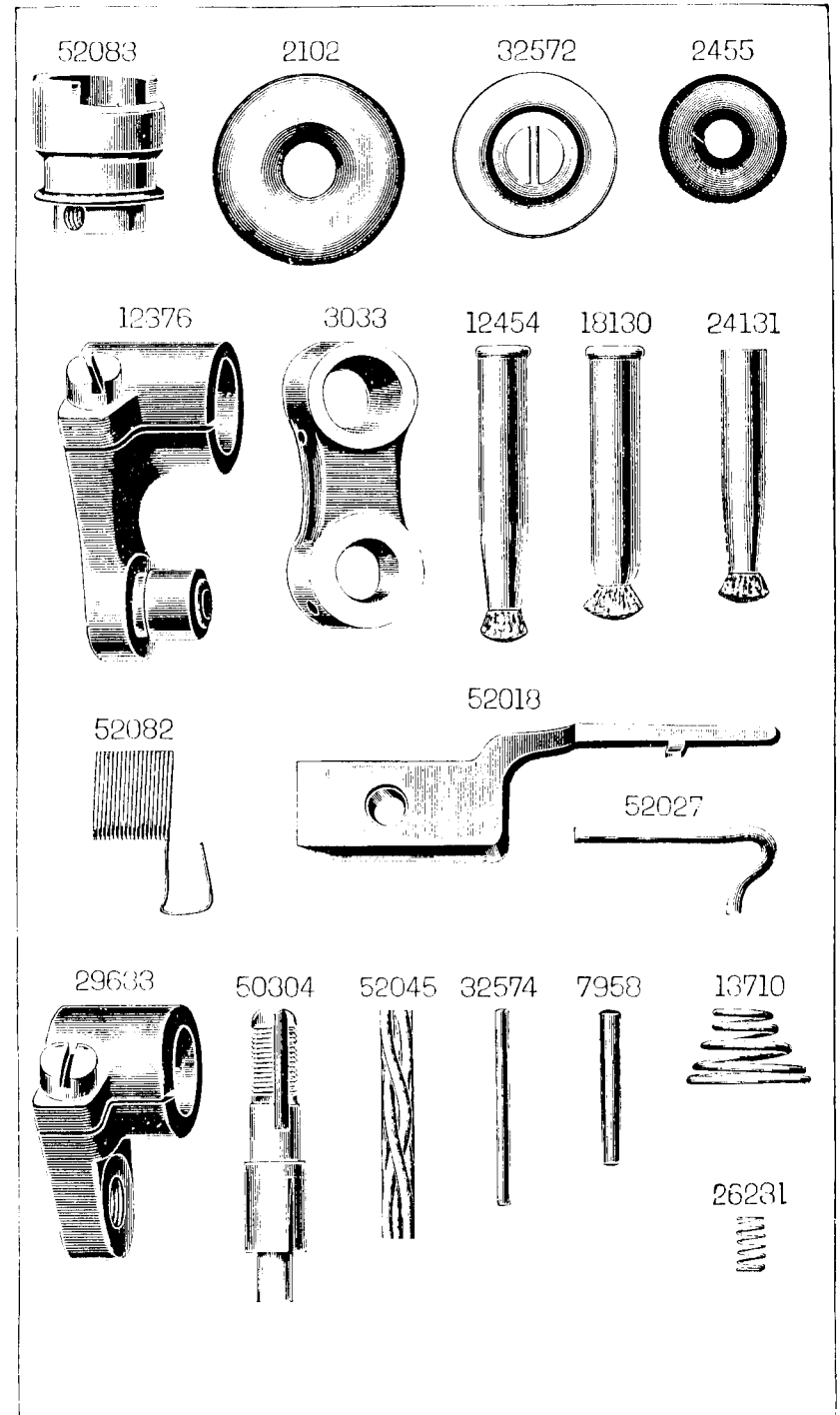
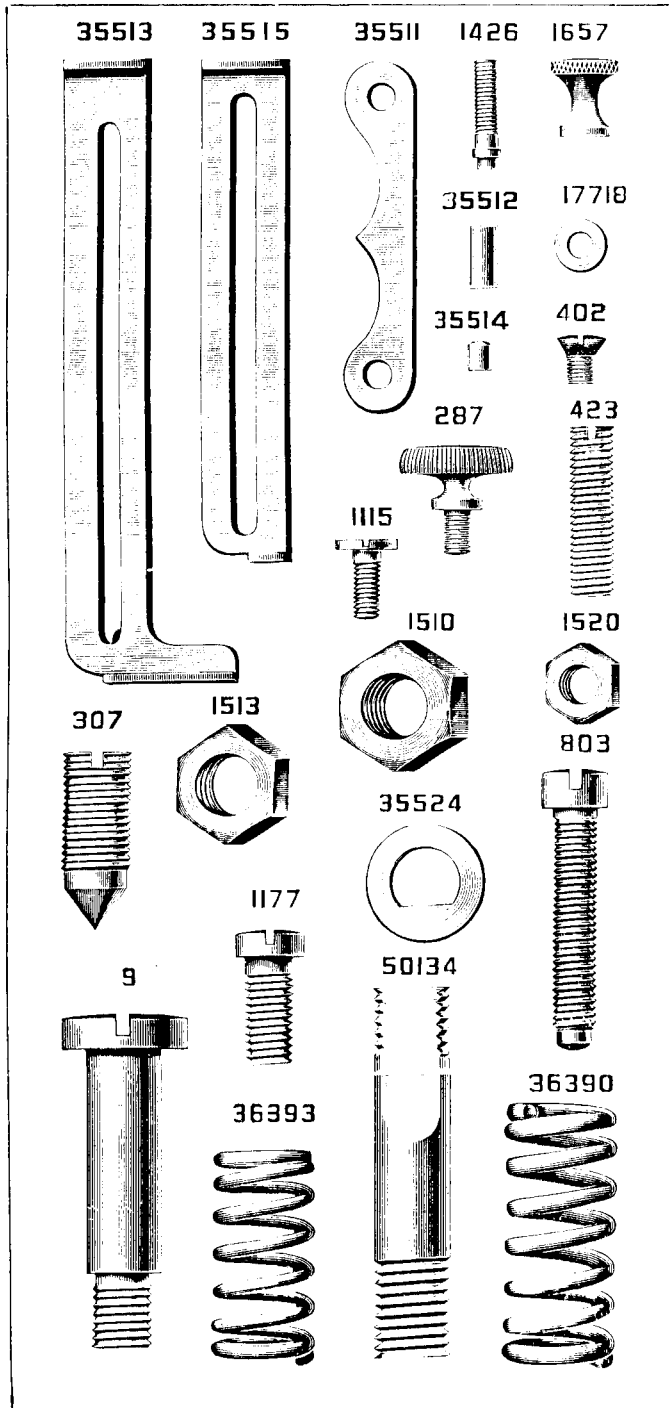


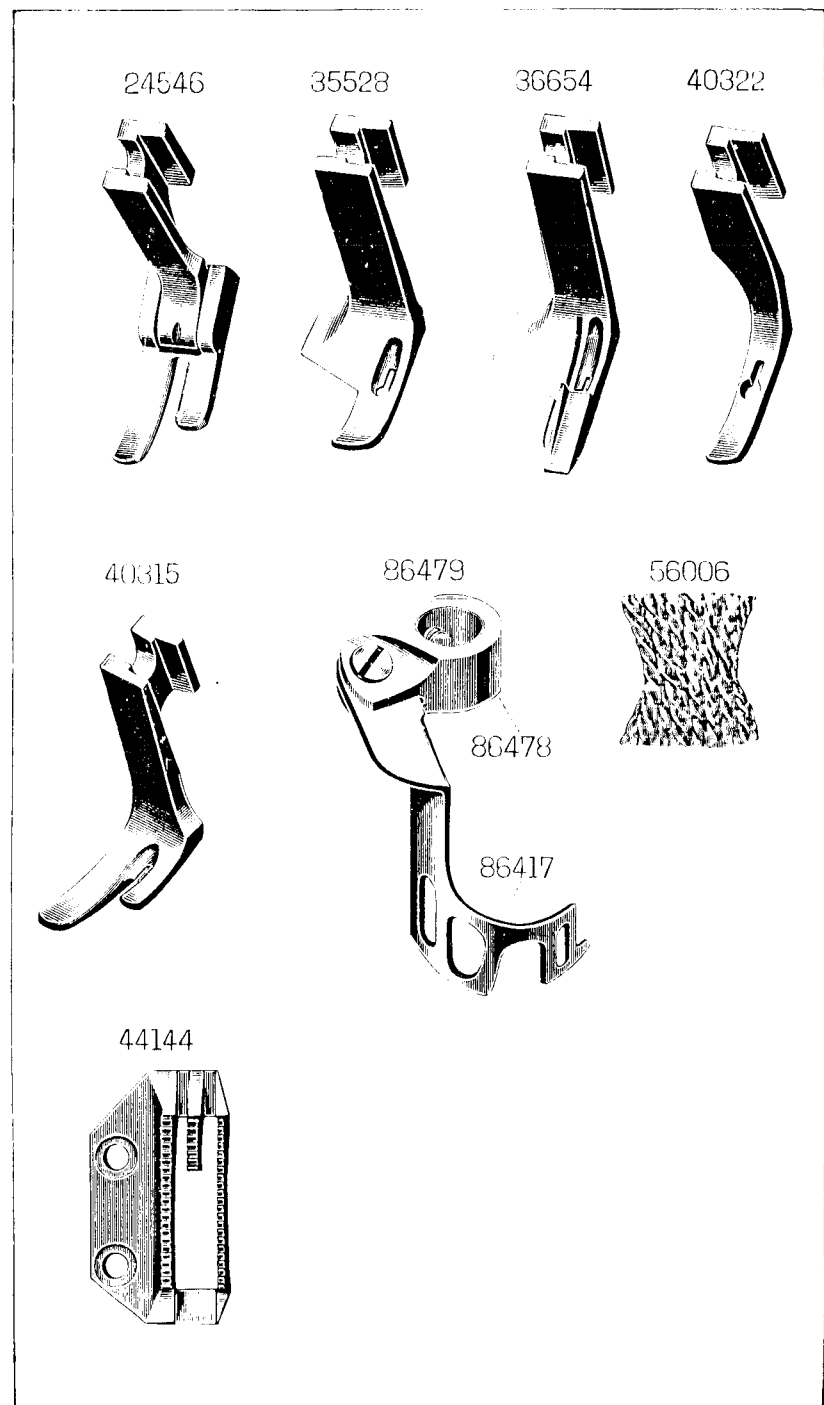
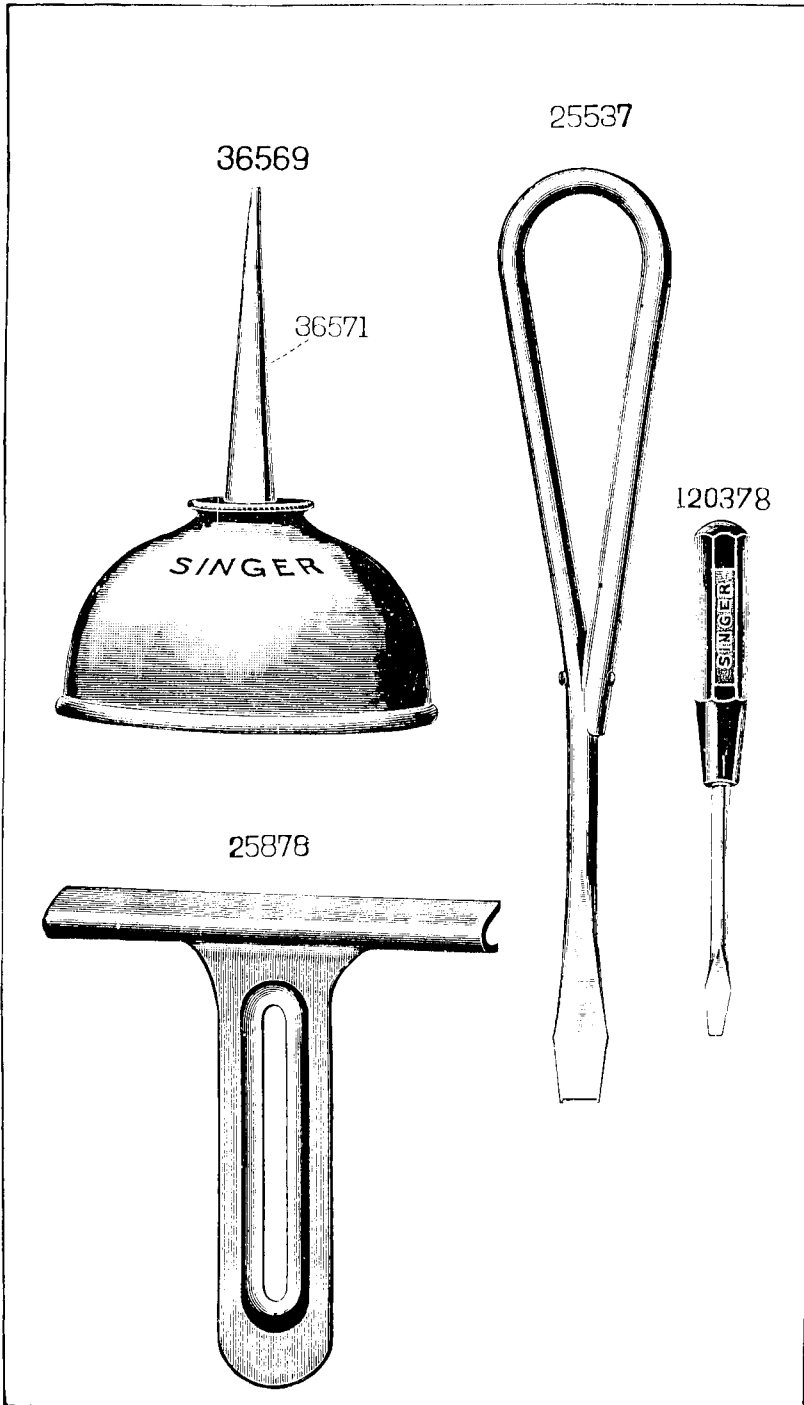




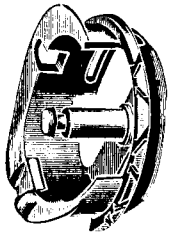




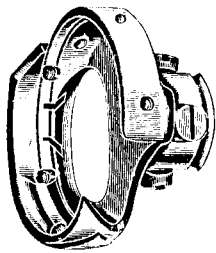




52443



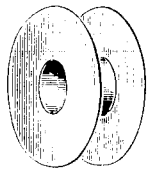
52121



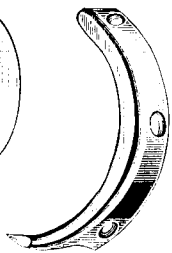
52090



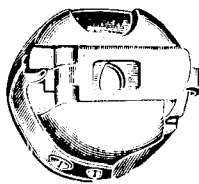
40264



40274



40395



52073



40392



40409



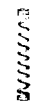
40394



2974



2975



12403



29599



1813



16532



26276



7298



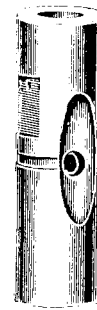
2532



56106



56100



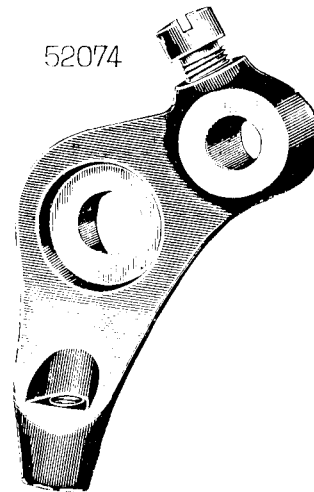
56107



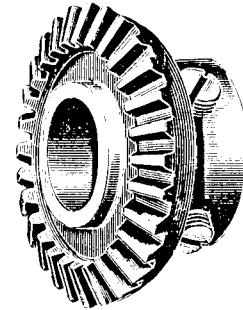
56099



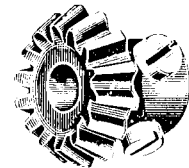
52074



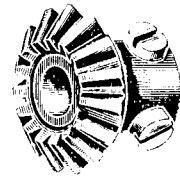
52060



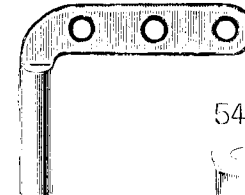
56101



56013



52454



52084



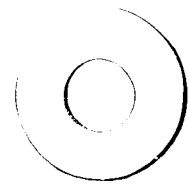
56015



54897



25446

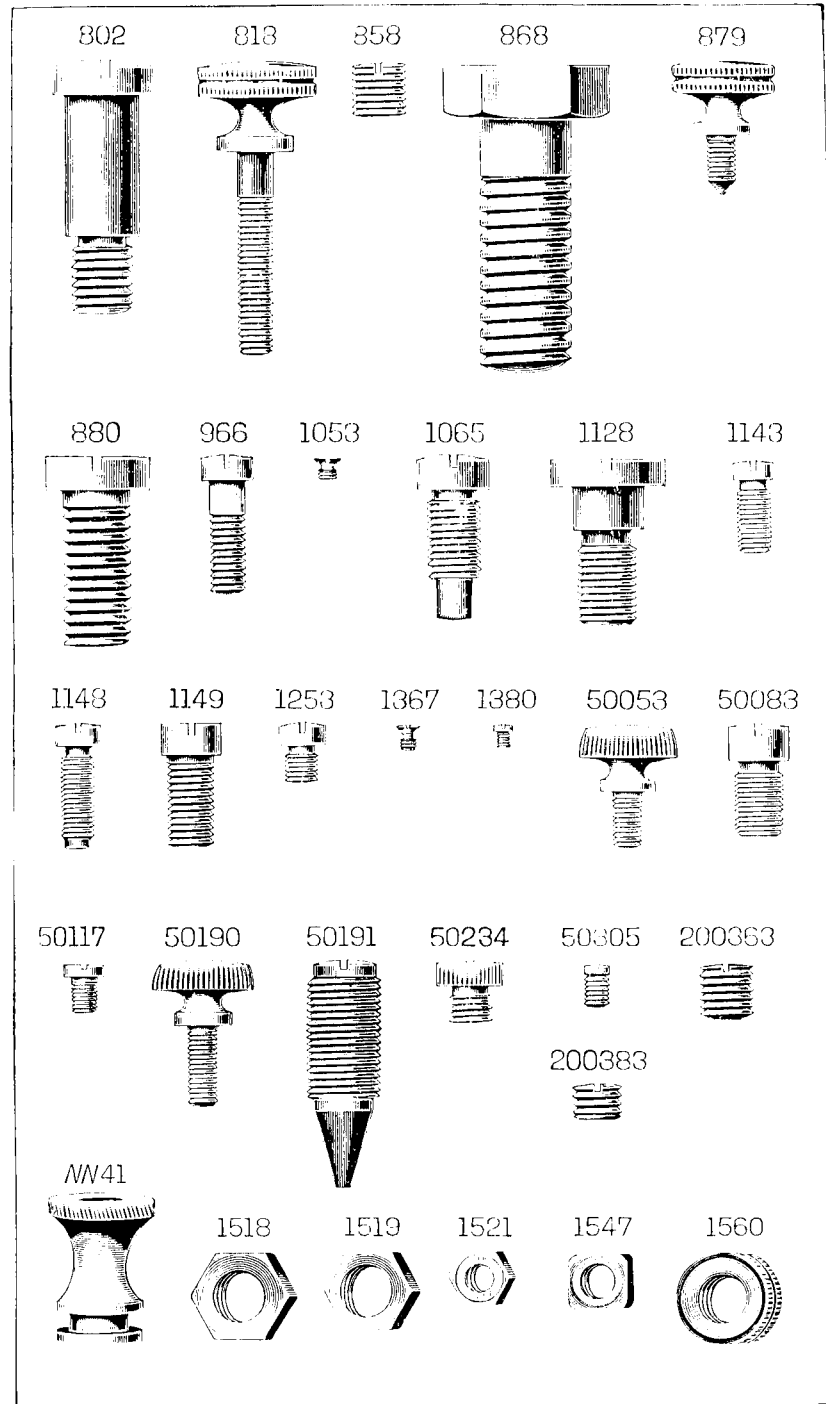
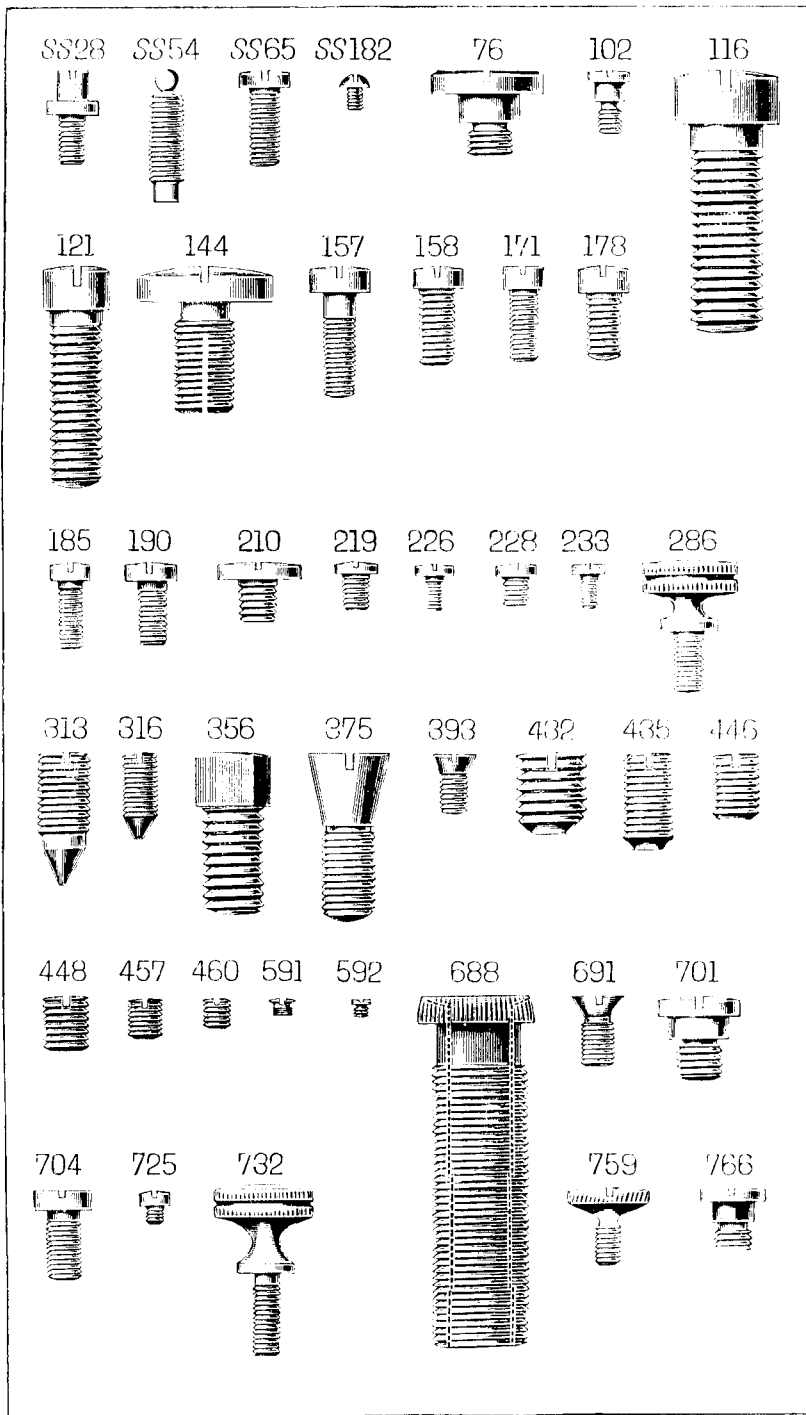


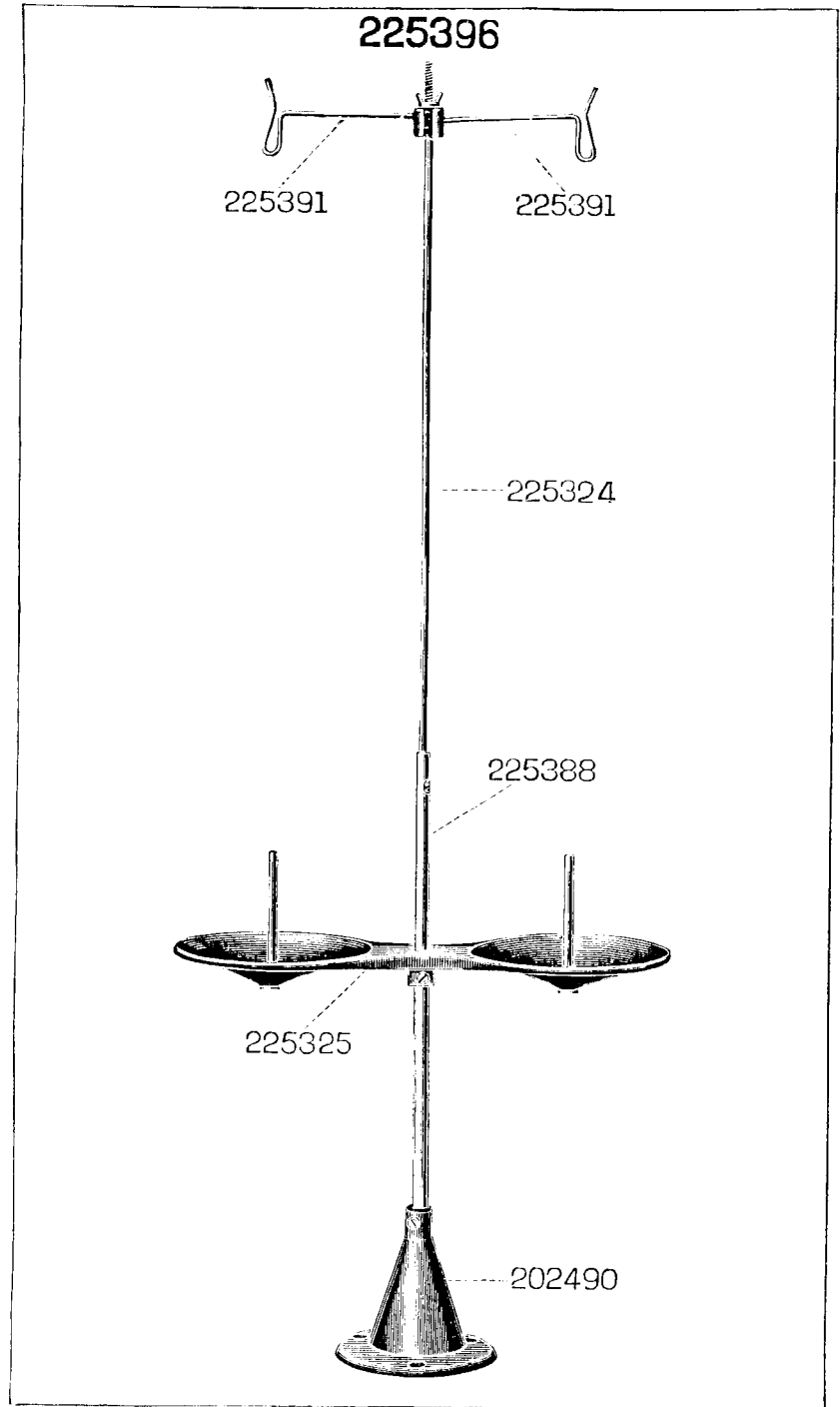
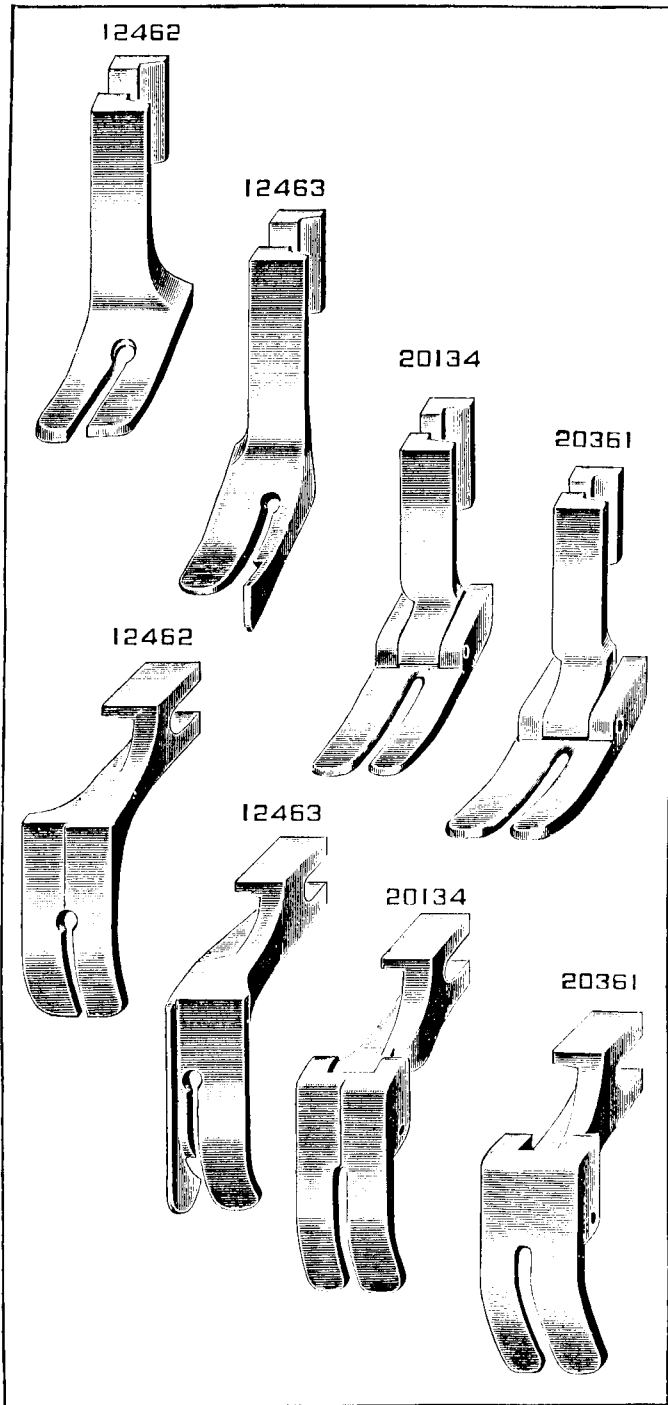
52053



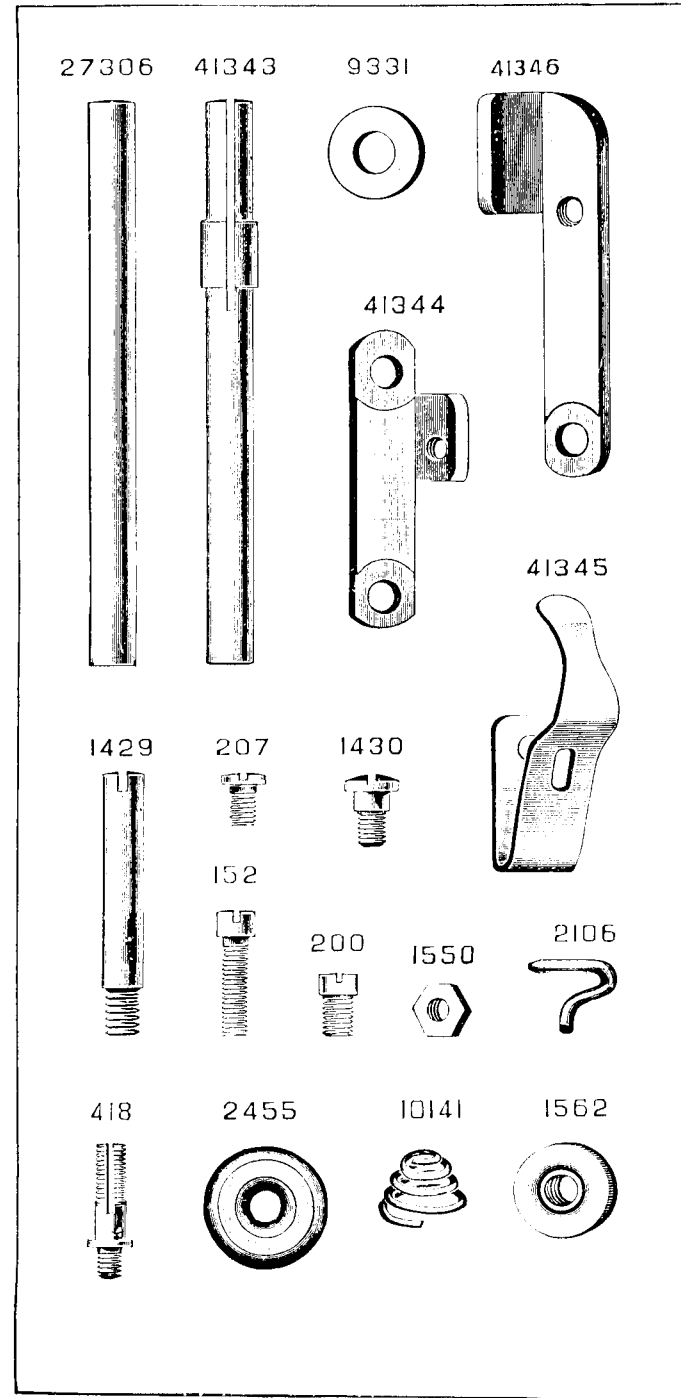
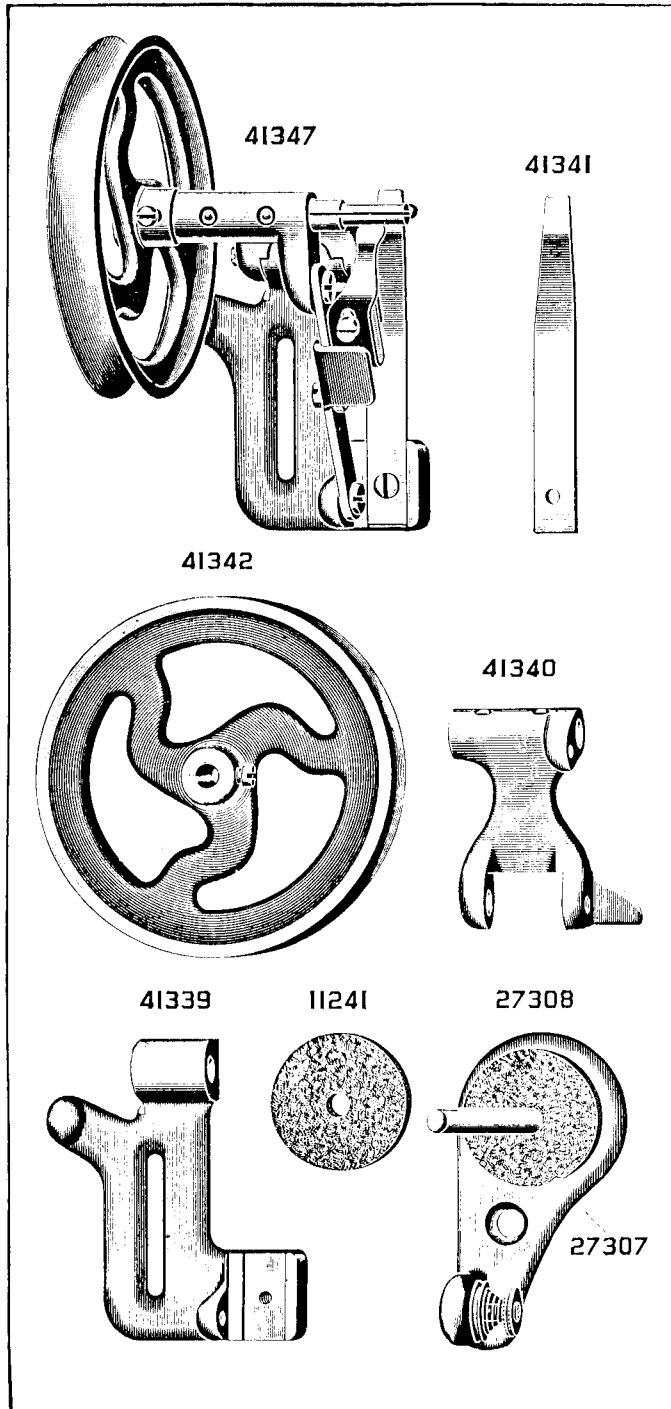
56086

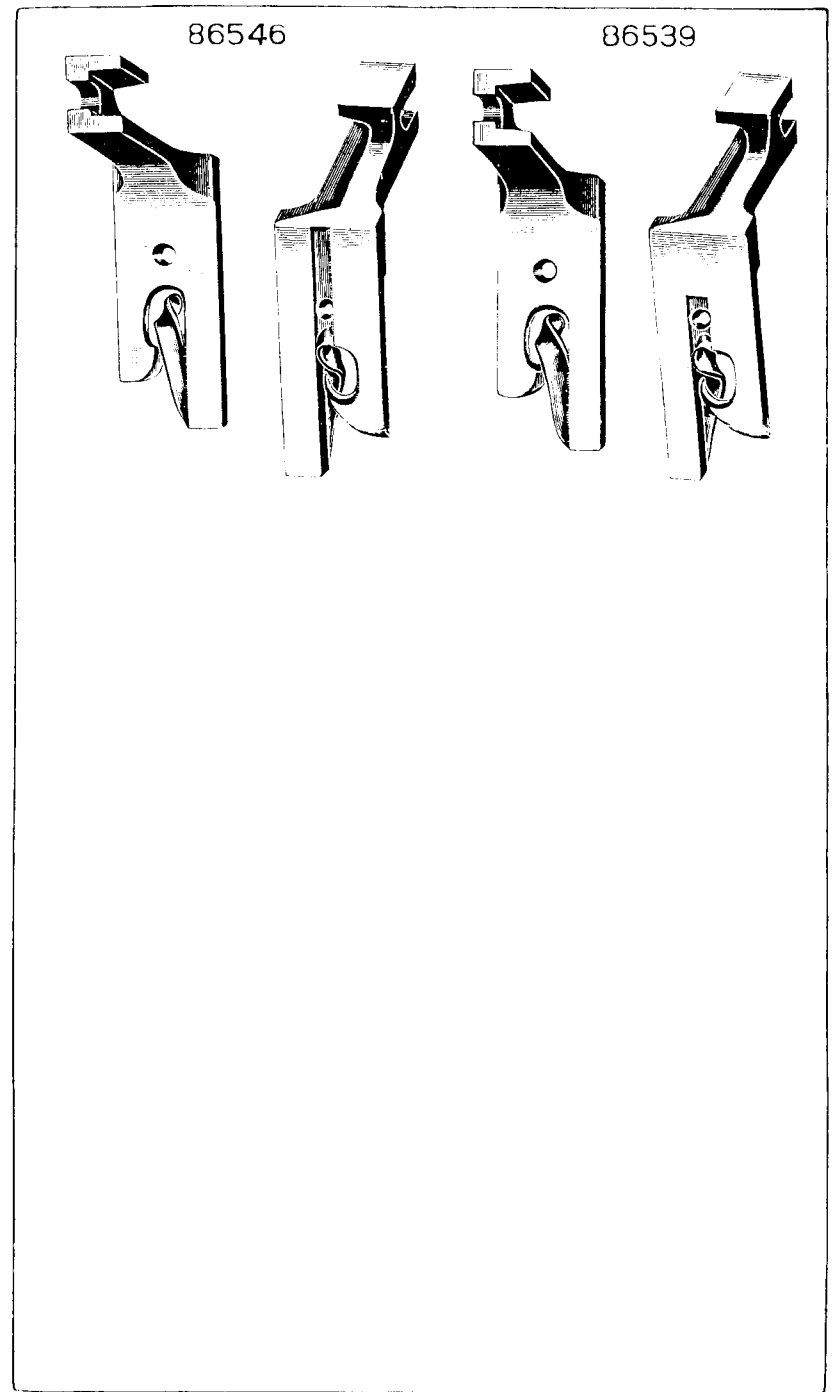
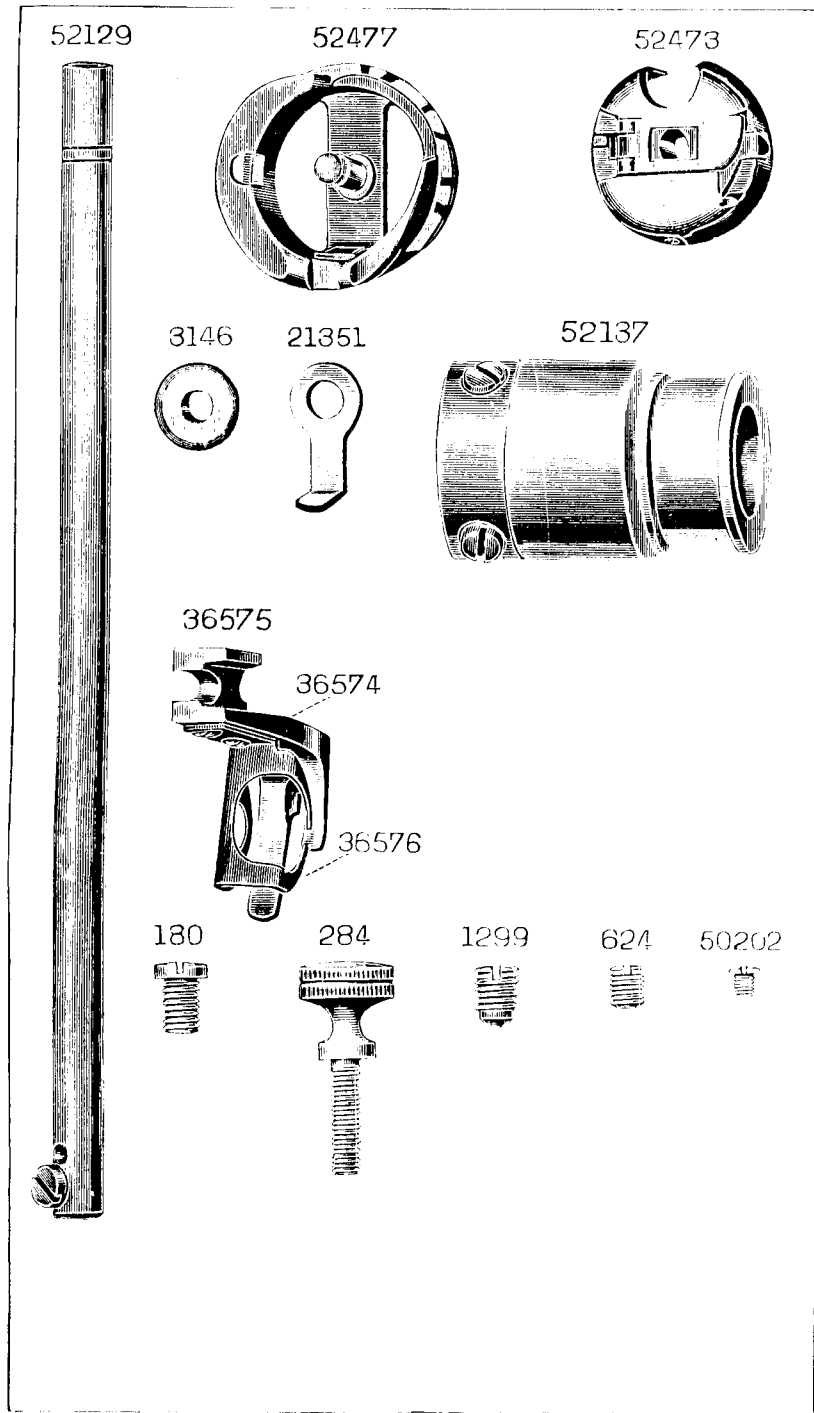












## CONTENTS.

	Page
Parts, complete, for 95K10 Machine	57
Parts, special to 95K11 Machine	65
Accessories	66
Attachments	67
Bobbin Winders	76
Iron Base	66
Knee Lifter	78
Numerical List of Parts	81
Spool Holder	66
Thread Unwinder	79





No.	Plate	
52036	971	<b>Presser Foot</b> (hinged), complete, Nos. 26276, 52034 and 52035, for 52031
62527	---	<b>Presser Foot Hinge Pin</b>
24544	---	" " <b>Plate</b>
24982	---	" " <b>Shank</b>
26231	1318	" " <b>Spring</b>
24983	---	<b>Presser Foot</b> (spring hinged), complete, Nos. 24544, 24982, 26231 and 62527 for 52031
190d	1324	<b>Presser Foot Screw</b>
<i>NOTE:--No. 24983 is sent with this machine unless another Presser Foot is specified on order.</i>		
688j	1324	<b>Pressure Regulating Thumb Screw</b>
52121	1322	<b>Rotating Hook</b> with three 1253c
52123	"	" " 52121, with 52090 and four 1053c
52089	"	" " 52123, " 40274 and three 1367d
52478	"	" " 52089, " 52474
40264	1322	" " <b>Bobbin</b>
52472	"	" " <b>Case</b>
52481	"	" " " " 52472, with 5911, 1380d and 40394
40392	1322	" " " " <b>Latch</b>
40409	1322	" " " " <b>Lever</b>
2974	1322	" " " " <b>Eulerum Pin</b>
2975	1322	" " " " <b>Spring</b>
592e	1324	" " " " <b>Stop Screw</b>
40393	"	" " " " <b>Hinge</b> , Nos. 2974, 40392 and 40409
591f	1324	" " " " <b>Tension Regulating Screw</b>
40394	1322	" " " " <b>Spring</b>
1380d	1325	" " " " <b>Screw</b>
52473	1770	" " " " complete, Nos. 592e, 2975, 40393 and 52481
52474	"	" " " " 52473, with 52477
52477	1770	" " " " <b>Holder</b> , with 52475 and two 52476
52018	1318	" " " " <b>Position Bracket</b>
704j	1324	" " " " <b>Screw</b>
*52475	"	" " " " <b>Locating Plate</b>
*52476	"	" " " " <b>Rivet</b>
40274	1322	" " <b>Section</b>
1367d	1325	" " <b>Screw</b>
1253c	1325	" " <b>Set Screw</b>
52070	1312	" " <b>Shaft</b>
56106	1323	" " <b>Bushing (back)</b>
52045	1318	" " " " ( " ) <b>Packing (Cotton)</b>
1143c	1325	" " " " ( " ) <b>Set Screw</b>
56107	1323	" " " " (front)
52045	1318	" " " " ( " ) <b>Packing (Cotton)</b>

No.	Plate	
1148c	1325	<b>Rotating Hook Shaft Bushing (front) Set Screw</b>
54897	1323	" " " <b>Front Bearing Oil Cup</b>
56013	1323	" " " <b>Gear with two 1253c</b>
52072	1313	" " " <b>Case (two pieces), with 121e and 50234d</b>
50234d	1325	" " " " <b>Plug Screw</b>
121e	1324	" " " " <b>Screw</b>
1253c	1325	" " " " <b>Set Screw</b>
52090	1322	" " <b>Thread Guard</b>
1053c	1325	" " " " <b>Screw</b>
52337	1316	<b>Slack Thread Regulator</b>
223c	1316	" " " <b>Set Screw</b>
2102	1318	<b>Tension Disc</b>
1560c	1325	" <b>Regulating Thumb Nut</b>
32572	1318	" <b>Releasing Disc</b>
43044	1316	" " <b>Lever</b>
12398	1316	" " " <b>Hinge Pin</b>
12329	1316	" " " <b>Spring</b>
32574	1318	" " <b>Pin</b>
13710	1318	" <b>Spring</b>
50304c	1318	" <b>Stud</b>
50305c	1325	" " <b>Set Screw</b>
52092		<b>Tension</b> , complete, Nos. 1560c, 13710, 32572, 32574, 50304c, 52082, 52083 and two 2102
52026	969	<b>Thread Eyelet for 52013</b>
52027	1318	<b>Thread Guard (side of arm)</b>
52454	1323	<b>Thread Retainer</b>
624c	1770	" " <b>Set Screw</b>
52021	969	<b>Thread Take-up Crank</b>
52143	"	" " " 52021 with 775e and 24894
1037c	969	" " " <b>Position Screw</b>
1036c	969	" " " <b>Set Screw</b>
52022	969	<b>Thread Take-up Lever with 52130</b>
52023	969	" " " <b>Hinge Pin</b>
52024	969	" " " <b>Link</b>
11204	969	" " " <b>Hinge Pin</b>
435c	1324	" " " " <b>Set Screw</b>
52130	"	" " " <b>Thread Eyelet Bushing</b>
52025		<b>Thread Take-up Lever</b> , complete, Nos. 52022 to 52024

No.	Plate						
52082	1318	<b>Thread Take-up Spring</b>	...	...	...	...	...
52083	1318	" " " Regulator with 50305c	...	...	...	...	...
448c	1324	" " " " Set Screw	...	...	...	...	...
52054	...	<b>Thread Take-up</b> , complete, Nos. 11204, 52025 and 52143	...	...	...	...	...
20139	966	<b>Throat Plate</b> , large needle hole, for 20138 and 20162	...	...	...	...	...
20140	...	" " small " " " 20138 " 20162	...	...	...	...	...
20190	966	" " large " " " 12369 " 12457	...	...	...	...	...
20191	...	" " small " " " 12369 " 12457	...	...	...	...	...
20135	966	<b>Throat Plate</b> , large needle hole, for 12450 and 20348	...	...	...	...	...
20136	...	" " small " " " 12450 " 20348	...	...	...	...	
20124	964	" " large " " " 20117 " 20132	...	...	...	...	
20125	...	" " small " " " 20117 " 20132	...	...	...	...	
20143	964	" " large " " " 20142 ...	...	...	...	...	
20144	...	" " small " " " 20142 ...	...	...	...	...	
20148	964	" " large " " " 20147 and 44177	...	...	...	...	
20149	...	" " small " " " 20147 " 44177	...	...	...	...	
20152	965	" " large " " " 20151 " 44144	...	...	...	...	
20153	...	" " small " " " 20151 " 44144	...	...	...	...	
20160	965	" " large " " " 20159 ...	...	...	...	...	
20161	...	" " small " " " 20159 ...	...	...	...	...	
20326	965	" " large " " " 20325 ...	...	...	...	...	
20327	...	" " small " " " 20325 ...	...	...	...	...	
52032	...	" " large " " " 52031 ...	...	...	...	...	
52033	967	" " small " " " 52031 ...	...	...	...	...	
691f	1324	" " Screw (2).	...	...	...	...	10/33

NOTE. 52033 is sent with this machine unless another Throat Plate is specified on order.

*15404	...	<b>Trade Mark</b>	...	...	...	...	...
15405	...	" " Rivet	...	...	...	...	...

24079	983	<b>Drip Pan</b> , with four Wood Screws, $\frac{1}{2}$ " No. 5...	...	...	...	...	...
-------	-----	---	-----	-----	-----	-----	-----

## No. 95K11 Machine

Drop Feed ; For Collar and Cuff Work.

This Machine is the same as 95K10 with the following exceptions:

No.	Plate						
20163	968	<b>Feed Dog</b> , $\frac{1}{16}$ " stitch	...	...	...	...	...
20164	968	" " $\frac{1}{8}$ " " "	...	...	...	...	...
NOTE. --No. 20164 is sent with this machine unless other Feed Dog is specified on order.							
21351	1770	<b>Feed Regulator</b> Thumb Screw Stop	...	...	...	...	...
25873	985	<b>Guide</b> (combination)	...	...	...	...	...
284d	1770	" Thumb Screw	...	...	...	...	...
3146	1770	" " " Washer	...	...	...	...	...
12435	973	<b>Presser Foot</b> with 228d	...	...	...	...	...
NOTE. No. 12435 is sent with this machine unless another Presser Foot is specified on order.							
12462	1519	<b>Presser Foot</b> , $\frac{3}{16}$ " gauge and above	...	...	...	...	...
NOTE. When ordering No. 12462 give width of turned edge from seam.							
12463	1519	<b>Presser Foot</b> with Strip Guide	...	...	...	...	...
12335	973	" " (narrow)	...	...	...	...	...
20133	...	" " Plate	...	...	...	...	...
19223	...	" " Shank	...	...	...	...	...
20134	1519	<b>Presser Foot</b> (hinged), complete, for $\frac{3}{16}$ " gauge and above, Nos. 19223, 20133 and 26276	...	...	...	...	...
NOTE. When ordering No. 20134 give width of turned edge from seam.							
20155	...	<b>Presser Foot</b> Plate	...	...	...	...	...
20156	...	" " Shank	...	...	...	...	...
20157	973	<b>Presser Foot</b> (hinged), complete, Nos. 228d, 2532, 20155 and 20156	...	...	...	...	...
20343	973	<b>Presser Foot</b> with Guide on bottom to the right of Needle Hole	...	...	...	...	...
20360	...	<b>Presser Foot</b> Plate	...	...	...	...	...
19335	...	" " Shank	...	...	...	...	...
20361	1519	<b>Presser Foot</b> (hinged), plain bottom, complete, Nos. 19335, 20360 and 26276	...	...	...	...	...
36574	1770	<b>Presser Foot</b>	...	...	...	...	...
36575	1770	" " 36574, with 36576 and two 50202d	...	...	...	...	...
36576	1770	" " Finger Guard	...	...	...	...	...
50202d	1770	" " " " Screw	...	...	...	...	...
20123	968	<b>Throat Plate</b> for 20163 and 20164	...	...	...	...	...

## IRON BASE

No.	Plate						
24106	980	<b>Bed Frame Cushion</b> (Felt) ... ..	...	...	...	...	...
158c	1324	" " " Screw ... ..	...	...	...	...	...
24107	980	" " Hinge Connection ... ..	...	...	...	...	...
9261	980	" " " " Pin ... ..	...	...	...	...	...
970d	980	" " Thumb Screw ... ..	...	...	...	...	...
24108	982	<b>Bed Frame</b> , with 970d, two each 9261, 24107, four each 158c, 24106 and six Wood Screws 1 1/4" No. 10 ... ..	...	...	...	...	...

## ACCESSORIES

No.	Plate						
40264	1322	<b>Bobbin</b> (5) ... ..	...	...	...	...	...
36569	1319	<b>Oiler</b> with 36571 ... ..	...	...	...	...	...
36570	"	" 36569, filled with Oil ... ..	...	...	...	...	...
36571	1319	" Spout, 1 3/4" long ... ..	...	...	...	...	...
25537	1319	<b>Screw Driver</b> (large) ... ..	...	...	...	...	...
120378	1319	" " (small) ... ..	...	...	...	...	...

## SPOOL HOLDER (Disc)

### FOR 95K11 MACHINE

No.	Plate						
26763	200	<b>Bracket</b> with 219f and <del>2574</del> 922 <sup>D</sup> ... ..	...	...	...	...	5/34
219f	1324	" Screw ... ..	...	...	...	...	
922 <sup>D</sup> <del>2574</del> <del>1324</del>	1324	" Thumb Screw ... ..	...	...	...	...	5/34
19066	200	<b>Spindle</b> ... ..	...	...	...	...	
19067	200	" Thread Guiding Disc ... ..	...	...	...	...	
691f	1324	" " " " Screw ... ..	...	...	...	...	
26764	200	<b>Spool Holder</b> , complete, Nos. 691f, 19066, 19067 and 26763 ... ..	...	...	...	...	

## ATTACHMENTS

### BINDERS

When ordering Binders send sample of the Binding and of the Material to be bound.

#### BINDER for Cap Peak Work

No.	Plate						
85678	559	<b>Feed Dog</b> ... ..	...	...	...	...	...
85459	559	<b>Folder Base</b> ... ..	...	...	...	...	...
85460	559	" (top) ... ..	...	...	...	...	...
207d	558	" ( " ) Binding Screw ... ..	...	...	...	...	...
85461	"	" (bottom) ... ..	...	...	...	...	...
SS50d	186	" ( " ) Binding Screw ... ..	...	...	...	...	...
85462	559	<b>Folder Roller Guide</b> , complete, Nos. 701d, 85463 and 85464 ... ..	...	...	...	...	...
85463	"	" " " Bracket ... ..	...	...	...	...	...
85464	"	" " " Roller ... ..	...	...	...	...	...
701d	1324	" " " " Screw ... ..	...	...	...	...	...
SS50d	186	" " " Binding Screw ... ..	...	...	...	...	...
176d	559	" Screw (to fasten to machine) ... ..	...	...	...	...	...
85325	186	" " Washer ... ..	...	...	...	...	...
85458	559	<b>Folder</b> , complete, Nos. 85459 to 85462, two 207d and four SS50d ... ..	...	...	...	...	...
85679	559	<b>Presser Foot</b> ... ..	...	...	...	...	...
85680	559	<b>Throat Plate</b> ... ..	...	...	...	...	...
85681	559	<b>Binder</b> , complete, Nos. 85458, 85678 to 85680, two each 176d and 85325 ... ..	...	...	...	...	...

#### BINDER for Cardigan Jackets

No.	Plate						
85682	558	<b>Feed Dog</b> ... ..	...	...	...	...	...
85336	"	<b>Folder Base</b> ... ..	...	...	...	...	...
85337	"	" Folding Plate (top) ... ..	...	...	...	...	...
85338	"	" " (bottom) ... ..	...	...	...	...	...
233d	1324	" " " Screw for 85337 and 85338 ... ..	...	...	...	...	...
SS50d	186	" Screw ... ..	...	...	...	...	...
85325	186	" " Washer ... ..	...	...	...	...	...
85335	"	" complete, Nos. 85336 to 85338, and four 233d ... ..	...	...	...	...	...



No.	Plate	
85683	558	<b>Presser Foot</b> ... ..
85324		<b>Tape Tension Pin</b> (bent) ... ..
85323		" " " (straight) ... ..
85340		" " Plate ... ..
85339	558	" " complete, Nos. 85324, 85340 and four 85323 ...
207d	558	" " Screw ... ..
85325	186	" " " Washer ... ..
85684	558	<b>Throat Plate</b> ... ..
85685	558	<b>Binder</b> , complete, Nos. SS50d, 207d, 85335, 85339, 85682 to 85684 and two 85325 ... ..

### BINDER, $\frac{1}{2}$ ", for General Work

No.	Plate	
85686	558	<b>Feed Dog</b> ... ..
85320	558	<b>Folder</b> ... ..
SS50d	186	" Screw ... ..
85325	186	" " Washer ... ..
85687		<b>Presser Foot Bracket</b> ... ..
85688		" " " Hinge Pin ... ..
85689		" " Sole ... ..
85690	558	" " (hinged), complete, Nos. 85687 to 85689 ...
85324		<b>Tape Tension Pin</b> (bent) ... ..
85323		" " " (straight) ... ..
85322		" " Plate ... ..
85321	557	" " complete, Nos. 85322, 85324 and eight 85323 ...
SS50d	186	" " Screw ... ..
85325	186	" " " Washer ... ..
85691	558	<b>Throat Plate</b> ... ..
85692	558	<b>Binder</b> , complete, Nos. 85320, 85321, 85686, 85690, 85691, two each SS50d and 85325 ... ..

### BINDER, $\frac{1}{2}$ ", for Stay Work

No.	Plate	
85693	557	<b>Feed Dog</b> ... ..
85614	- -	<b>Folder</b> ... ..
SS65d	1324	" Screw ... ..
85694	- - -	<b>Presser Foot Bracket</b> ... ..
85616	- - -	" " " Hinge Pin ... ..
85695	- - -	" " Sole ... ..
85696	557	" " (hinged), complete, Nos. 85616, 85694 and 85695 ...
85324	- - -	<b>Tape Tension Pin</b> (bent) ... ..
85323	- - -	" " " (straight) ... ..
85322	- - -	" " Plate ... ..
85321	557	" " complete, Nos. 85322, 85324 and eight 85323 ...
SS50d	186	" " Screw ... ..
85325	186	" " " Washer ... ..
85697	557	<b>Throat Plate</b> ... ..
85698	557	<b>Binder</b> , complete, Nos. SS50d, SS65d, 85321, 85325, 85614, 85693, 85696 and 85697 ... ..

### BINDER, $\frac{1}{2}$ ", for Stay Work

No.	Plate	
85699	186	<b>Base</b> ... ..
85597	186	<b>Binder</b> ... ..
85324		<b>Tape Tension Pin</b> (bent) ... ..
85323		" " " (straight) ... ..
85700	186	<b>Binder and Tension</b> only, complete, Nos. 85324, 85597, 85699 and nine 85323 ...
SS50d	186	" Screw ... ..
85325	186	" " Washer ... ..
85701	186	<b>Feed Dog</b> ... ..
85702	- - -	<b>Presser Foot Bracket</b> ... ..
85703	- - -	" " " Hinge Pin ... ..
85704	- - -	" " Sole ... ..
85705	186	" " (hinged), complete, Nos. 85702 to 85704 ...
85706	186	<b>Throat Plate</b> ... ..
85707	186	<b>Binder</b> , complete, Nos. SS50d, 85325, 85700, 85701, 85705 and 85706 ... ..

### BINDER, FOLDER and TENSION, $\frac{9}{16}$ ", for Stay Work

No.	Plate							
85711	187	<b>Base</b>	...	...	...	...	...	...
85603	187	<b>Binder</b>	...	...	...	...	...	...
85604	187	<b>Folder</b>	...	...	...	...	...	...
207d	558	"	Screw	...	...	...	...	...
85325	186	"	"	Washer	...	...	...	...
85605	187	<b>Tape Guide</b>	...	...	...	...	...	...
85606	187	"	"	Bracket	...	...	...	...
207d	558	"	"	"	Screw	...	...	...
85325	186	"	"	"	"	Washer	...	...
207d	558	"	"	"	Screw	...	...	...
85325	186	"	"	"	"	Washer	...	...
85607	---	"	"	"	Tension Pin	...	...	...
85712	187	<b>Binder Folder and Tension</b> only, complete, Nos. 85603 to 85606, 85711, three each 207d, 85325 and seven 85607						
SS50d	186	<b>Binder Screw</b>	...	...	...	...	...	...
85325	186	"	"	Washer	...	...	...	...
85701	186	<b>Feed Dog</b>	...	...	...	...	...	...
85702	---	<b>Presser Foot Bracket</b>	...	...	...	...	...	...
85703	---	"	"	"	Hinge Pin	...	...	...
85704	---	"	"	"	Sole	...	...	...
85705	186	"	"	"	(hinged), complete, Nos. 85702 to 85704	...	...	...
85706	186	<b>Throat Plate</b>	...	...	...	...	...	...
85713	187	<b>Binder</b> , complete, Nos. SS50d, 85325, 85701, 85705, 85706 and 85712						

### BRAIDER FOOT (Long Shank, Adjustable)

No.	Plate							
86179	---	<b>Braider Foot</b>	...	...	...	...	...	...
86176	---	"	"	Guide (Wire)	...	...	...	...
SS182d	1324	"	"	"	Screw	...	...	...
86180	560	<b>Braider Foot</b> , complete, Nos. 86179, two each SS182d and 86176						
86178	560	<b>Braider Foot</b>	...	...	...	...	...	...

### CORDERS

When ordering state Size or No. of Cords to the inch.

#### ORDER (adjustable), for Fine Cording

No.	Plate							
85842	560	<b>Base</b>	...	...	...	...	...	...
85843	560	<b>Finger Arm</b>	...	...	...	...	...	...
85844	560	"	"	Adjustable Bracket	...	...	...	...
85845	---	"	"	"	"	Block	...	...
393c	1324	"	"	"	"	"	Screw	...
316e	1324	"	"	"	"	"	Centre Screw	...
1547d	1325	"	"	"	"	"	"	Nut
NN41d	1325	"	"	"	"	"	"	Thumb Nut
50053D	<del>1324</del>	"	"	"	"	"	"	Set Screw
85846	560	<b>Order</b> only, complete, Nos. NN41d, <del>200d</del> 393c, 85842 to 85845, two each 316e and 1547d						
85864	560	<b>Feed Dog</b>	...	...	...	...	...	...
85865	560	<b>Presser Foot</b>	...	...	...	...	...	...
85866	560	<b>Throat Plate</b>	...	...	...	...	...	...
85867	560	<b>Order</b> , complete, Nos. SS50d, 85846 and 85864 to 85866						
SS50d	186	<b>Order Screw</b> (to fasten to machine)						

#### ORDER (Bow), for Top Cording

No.	Plate							
85868	201	<b>Order Bow</b>	...	...	...	...	...	...
85869	201	<b>Presser Foot</b>	...	...	...	...	...	...
759d	1324	"	"	Thumb Screw	...	...	...	...
85870	201	<b>Order (Bow)</b> , complete, Nos. 759d, 85868 and 85869						

## CORDER for Top Cording

No.	Plate							
85783	---	<b>Base</b>	...	...	...	...	...	...
85871	---	<b>Guide Finger</b> with 85414, 85872 and two 85416	...	...	...	...	...	...
SS28b	1324	" "	Adjusting Screw	...	...	...	...	...
85414	---	" "	Eyelet	...	...	...	...	...
85413	---	" "	Hinge Pin	...	...	...	...	...
879d	1325	" "	Locking Thumb Screw	...	...	...	...	...
85872	---	" "	Tip	...	...	...	...	...
85416	---	" "	" Rivet	...	...	...	...	...
85873	200	<b>Corder only</b> , complete, Nos. SS28b, 879d, 85413, 85783 and 85871	...	...	...	...	...	...
85874	200	<b>Presser Foot</b>	...	...	...	...	...	...
85875	200	<b>Corder</b> , complete, Nos. SS44d, 85412, 85873 and 85874	...	...	...	...	...	...
SS44d	200	" "	Screw (to fasten to machine)	...	...	...	...	...
85412	200	" "	Washer	...	...	...	...	...

## CORDER GUIDE (Adjustable)

No.	Plate							
85382	---	<b>Extension Guide</b>	...	...	...	...	...	...
228d	1324	" "	Screw	...	...	...	...	...
85876	---	<b>Presser Foot</b>	...	...	...	...	...	...
85877	560	<b>Corder Guide</b> , complete, Nos. 228d, 85382 and 85876	...	...	...	...	...	...
85881	562	<b>Cording and Hemming Foot</b>	...	...	...	...	...	...
86182	562	<b>Cording Foot</b> (grooved on right side)	...	...	...	...	...	...

## CRIMPING SET

No.	Plate							
85882	557	<b>Feed Dog</b>	...	...	...	...	...	...
85883	---	<b>Presser Foot</b>	...	...	...	...	...	...
85391	---	" "	Spring	...	...	...	...	...
219d	1324	" "	" Screw	...	...	...	...	...
85884	557	" "	complete, Nos. 219d, 85391 and 85883	...	...	...	...	...
85885	557	<b>Throat Plate</b>	...	...	...	...	...	...
85886	557	<b>Crimping Set</b> , complete, Nos. 85882, 85884 and 85885	...	...	...	...	...	...

## FELLING FEET

No.	Plate							
85896	201	<b>Felling Foot</b> , $\frac{3}{16}$ " Fell	...	...	...	...	...	...
85897	562	" "	(Steel), $\frac{3}{16}$ " Fell	...	...	...	...	...

## FINGER GUARD

No.	Plate							
86417	1321	<b>Finger Guard</b>	...	...	...	...	...	...
102d	1324	" "	Binding Screw	...	...	...	...	...
86478	1321	" "	Bracket with 207f	...	...	...	...	...
207f	558	" "	" Screw	...	...	...	...	...
86479	1321	<b>Finger Guard</b> , complete, Nos. 102d, 86417 and 86478	...	...	...	...	...	...

## GATHERING FEET

No.	Plate							
85955	562	<b>Gathering Foot</b>	...	...	...	...	...	...
86193	560	" "	(slotted)	...	...	...	...	...

## HEMMERS

No.	Plate							
86005	88	<b>Hemmer</b> , $\frac{3}{16}$ " to $\frac{7}{8}$ " in grades of $\frac{1}{16}$ "	...	...	...	...	...	...
86008	88	" "	1" to $1\frac{1}{4}$ " in grades of $\frac{1}{8}$ "	...	...	...	...	...
86010	88	" "	$1\frac{3}{8}$ " and $1\frac{1}{2}$ "	...	...	...	...	...
85447	88	" "	Base with SS5fe	...	...	...	...	...
SS5fe	1324	" "	" Stud Screw	...	...	...	...	...
NN40d	88	" "	" " " " Thumb Nut	...	...	...	...	...
85448	88	" "	" " " " " " Washer	...	...	...	...	...
85446	---	<b>Hemmer Base</b> , complete, Nos. NN40d, 85447 and 85448	...	...	...	...	...	...

## Flat Sole

No.	Plate							
86537	---	$\frac{1}{16}$ "	...	...	...	...	...	...
86538	---	$\frac{3}{32}$ "	...	...	...	...	...	...
86539	1931	$\frac{1}{8}$ "	...	...	...	...	...	...
86540	---	$\frac{5}{32}$ "	...	...	...	...	...	...
86541	---	$\frac{3}{16}$ "	...	...	...	...	...	...
86542	---	$\frac{7}{32}$ "	...	...	...	...	...	...
86543	---	$\frac{1}{4}$ "	...	...	...	...	...	...

ATTACHMENTS

Flat Sole, with Groove

No.	Plate									
86544	---	$\frac{1}{16}$ "	...	...	...	...	...	...	...	
86545	---	$\frac{3}{32}$ "	...	...	...	...	...	...	...	
86546	1931	$\frac{1}{8}$ "	...	...	...	...	...	...	...	
86547	---	$\frac{5}{32}$ "	...	...	...	...	...	...	...	
86548	---	$\frac{3}{16}$ "	...	...	...	...	...	...	...	
86549	---	$\frac{7}{32}$ "	...	...	...	...	...	...	...	
86550	---	$\frac{1}{4}$ "	...	...	...	...	...	...	...	
86025	562	Hemmer Foot, $\frac{1}{16}$ " to $\frac{9}{32}$ " hem, in grades of $\frac{1}{32}$ "							...	...

PRESSER FOOT

No.	Plate				
86188	958	Presser Foot (narrow), for narrow tucking ...			

QUILTER

No.	Plate				
86041	958	Clamp with 207d ...			
207d	558	" Screw ...			
86042	958	Rod ...			
86043	958	Quilter, complete, Nos. 86041 and 86042 ...			

TUCKERS (Long Arm)

No.	Plate				
36387	1315	Space Guide ...			
35510	1315	" " Base with 35512, 35514 and two 1426e ...			
402d	1317	" " " Screw ...			
35511	1317	" " Indicator ...			
35512	1317	" " Pin ...			
35513	1317	" " Stop (left) ...			
35514	1317	" " " ( " ) Guide Pin ...			
1426e	1317	" " " ( " ) Screw Stud ...			
1657d	1317	" " " ( " ) Thumb Nut ...			
17718	1317	" " " ( " ) " " Washer ...			
35515	1317	" " " (right) ...			
1426e	1317	" " " ( " ) Screw Stud ...			
1657d	1317	" " " ( " ) Thumb Nut ...			
17718	1317	" " " ( " ) " " Washer ...			
36388	---	" " Thumb Screw ...			

Space Guide, complete, Nos. ~~207d~~ 35510, 35511, 35513, 35515, 36387, two each 1657d and 17718

50053

50053

5/34

ATTACHMENTS

No.	Plate								
35517	1309	Tuck Guide Arm ...							
1177d	1317	" " " Screw ...							
35518	1309	" " " Base ...							
50134e	1317	" " " Screw Stud ...							
36389	1309	" " " Bracket ...							
307c	1317	" " " Screw Centre ...							
1513j	1317	" " " " " Nut ...							
36390	1317	" " " Spring ...							
36391	1315	" " " " Plate ...							
9d	1317	" " " " Screw ...							
423c	1317	" " " Stop Screw ...							
1520r	1317	" " " " " Nut ...							
36392	1309	" " " Frame ...							
6393	1317	" " " Spring ...							
1510e	1317	Tuck Guide Frame Spring Nut ...							
35524	1317	" " " " Washer ...							
803c	1317	" " " Stop Screw ...							
1520r	1317	" " " " " Nut ...							
35511	1317	" " Indicator ...							
35525	1309	" " Plate ...							
1115f	1317	" " Screw ...							
36394	---	Tuck Guide, complete, Nos. 9d, 423c, 803c, 1510e, 35511, 35517, 35518, 35524, 35525, 36389 to 36393, 50134e, two each 307c, 1115f, 1177d, 1513j, 1520r and three Wood Screws 1 1/4" No. 10							
36395	-	Tucker (long arm), complete, Nos. 35528, 36388, 36394 and two 402d ...							
52031	967	Feed Dog for shirt work ...							
35528	1321	Presser Foot (wide) for 36395 ...							
40322	1321	" " (narrow) for 36395 ...							
36654	1321	" " for tucking shirt bosoms, for 36670 ...							
52032		Throat Plate, large needle hole, for 52031 ...							
52033	967	" " small " " " 52031 ...							
36670	---	Tucker (long arm), complete, for tango tucking, Nos. 36388, 36394, 36654 and two 402d ...							

## BOBBIN WINDERS

## BOBBIN WINDER

(Swinging Automatic, Left Hand) for 40264

No.	Plate	
41913	1314	<b>Bracket</b> with 457c
41583	1314	<b>Frame</b> with 457c
34105	1314	" Hinge Pin
457c	1324	" " " Set Screw
41914	1314	" Spring
41585	1314	<b>Pulley</b> with 171d
171d	1324	" Set Screw
41586	1314	<b>Spindle</b>
41587	1314	<b>Stop Latch</b>
42614	1314	" " Hinge Stud
457c	1324	" " " " Set Screw
7958	1318	" " Stop Pin
41588	1314	" " Tripping Arm with 185h
185h	1324	" " " " Clamping Screw
60845	1314	<b>Bobbin Winder</b> , Nos. 7958, 34105, 41583, 41585 to 41588, 41913, 41914 and 42614
41915	---	<b>Bobbin Winder</b> , complete, Nos. 880e, 25446 and 60845
880e	1325	<b>Bobbin Winder Screw</b>
25446	1323	" " " Washer

## BOBBIN WINDER

(Swinging Automatic, Right Hand) for use with Series 800, 900, 1700, 1900 and 2100 Motors.

No.	Plate	
41339	1687	<b>Base</b>
41340	1687	<b>Frame</b>
1429d	1688	" Hinge Screw
41341	1687	" Spring
207d	558	" " Screw
41342	1687	<b>Pulley</b> with 200f
200f	1688	" Set Screw
41343	1688	<b>Spindle</b>
27306	1688	<b>Spool Pin</b>
27307	1687	" Stand
†27308	1687	<b>Spool Stand</b> , complete, Nos. 418c, 1562j, 2106, 10141, 11241, 27306, 27307, two each 2455 and Wood Screws 1" No. 10
11241	1687	<b>Spool Washer</b> (Cloth)
41344	1688	<b>Stop Latch</b>
41345	1688	" " Finger
152f	1688	" " " Screw
1430d	1688	" " Hinge Screw
1550h	1688	" " " " Nut
41346	1688	" " Lever
1430d	1688	" " " Hinge Screw
2455	1688	<b>Tension Disc</b>
1562j	1688	" Regulating Thumb Nut
418c	1688	" Screw Stud
10141	1688	" Spring
2106	1688	" Thread Guide
9331	1688	<b>Washer</b>
60456	---	<b>Bobbin Winder</b> , Nos. 152f, 207d, 1429d, 1550h, 41339 to 41346 and three 1430d
41347	1687	<b>Bobbin Winder</b> , Nos. 60456, two each 9331 and Wood Screws 1" No. 10 R.H.B.
41348	---	<b>Bobbin Winder</b> (swinging automatic, right hand), complete, Nos. 27308 and 41347

† As No. 27307 can be supplied either Plated or Japanned, it is necessary, when ordering, to state what is required.

## KNEE LIFTER

No.	Plate							
5596	1311	<b>Bell Crank</b>	...	...	...	...	...	...
5599	1311	" "	Bracket	...	...	...	...	...
178e	1324	" "	" Screw	...	...	...	...	...
5601	980	" "	Hinge Pin	...	...	...	...	...
5735	980	" "	Spring	...	...	...	...	...
56848	---	" "	5596 with 5599 and 5601	...	...	...	...	...
5598	1311	<b>Bell Crank, complete,</b>	Nos. 5735 and 56848	...	...	...	...	...
16510	959	<b>Lifting Lever</b>	with 448c	...	...	...	...	...
52028	1311	" "	Connecting Rod	...	...	...	...	...
12416	980	" "	" " Joint	...	...	...	...	...
76d	1324	" "	" " " Hinge Screw	...	...	...	...	...
1521e	1325	" "	" " " Lock Nut	...	...	...	...	...
802d	1325	" "	Hinge Screw	...	...	...	...	...
12241	980	" "	Link	...	...	...	...	...
766d	1324	" "	" Hinge Screw	...	...	...	...	...
12240	980	" "	Pin	...	...	...	...	...
448c	1324	" "	" Set Screw	...	...	...	...	...
2763	959	<b>Rock Shaft</b>	...	...	...	...	...	...
97502	959	" "	Bracket	...	...	...	...	...
---	---	" "	" Screw (Wood) 1" No. 10	...	...	...	...	...
2765	959	" "	Knee Arm	...	...	...	...	...
2766	959	" "	" " Hub with 356c	...	...	...	...	...
356c	1324	" "	" " " Set Screw	...	...	...	...	...
2768	---	" "	" " 2765 with 2766 and 2767	...	...	...	...	...
2767	959	" "	Plate with 356c	...	...	...	...	...
356c	1324	" "	" " Set Screw	...	...	...	...	...
6337	959	" "	Lifting Bracket with two 356c	...	...	...	...	...
2778	959	" "	" " Hook	...	...	...	...	...
356c	1324	" "	" " " Set Screw	...	...	...	...	...
356c	1324	" "	" " " Set Screw	...	...	...	...	...
2770	959	" "	Stop Dog with 356c	...	...	...	...	...
356c	1324	" "	" " " Set Screw	...	...	...	...	...
84789	959	<b>Rock Shaft, 2763,</b>	with 2768, 2770, 2778, 6337, two 97502 and four Wood Screws 1" No. 10	...	...	...	...	...
84769	---	<b>Knee Lifter, complete,</b>	Nos. 76d, 766d, 802d, 1521e, 5598, 12240, 12241, 12416, 16510, 52028, 84789 and two 178c	...	...	...	...	...

## THREAD UNWINDER

## FOR TWO SPOOLS OF THREAD

No.	Plate							
225325	1621	<b>Spool Rest</b>	with 201018c	...	...	...	...	...
225388	1621	" "	Rod	...	...	...	...	...
200383c	1325	" "	" Set Screw	...	...	...	...	...
201018c	-	" "	Set Screw	...	...	...	...	...
202490	1621	" "	Stand with 200383c	...	...	...	...	...
225391	1621	<b>Thread Guide</b>	...	...	...	...	...	...
201696j	---	" "	Lock Nut	...	...	...	...	...
225326	---	" "	Position Cup	...	...	...	...	...
225324	1621	" "	Rod with 208c and 225322	...	...	...	...	...
208c	-	" "	" Screw	...	...	...	...	...
225322	-	" "	" Washer	...	...	...	...	...
225396	1621	<b>Thread Unwinder, complete,</b>	Nos. 201696j, 202490, 225324 to 225326, 225388, two 225391 and three Wood Screws $\frac{3}{4}$ " No. 12	...	...	...	...	...