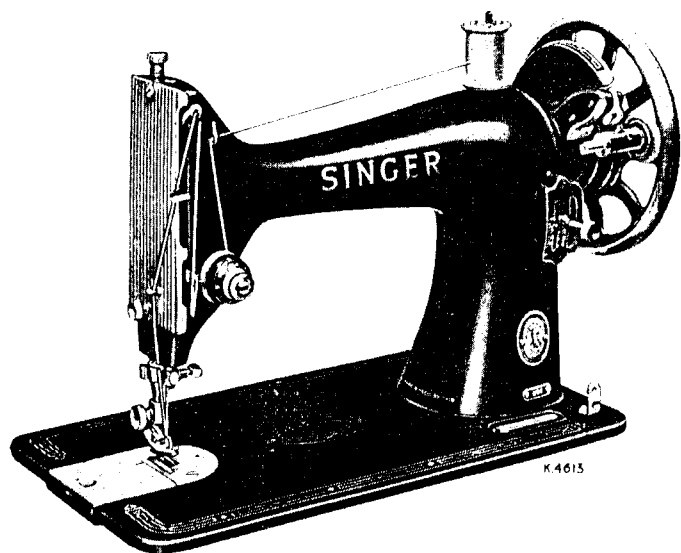


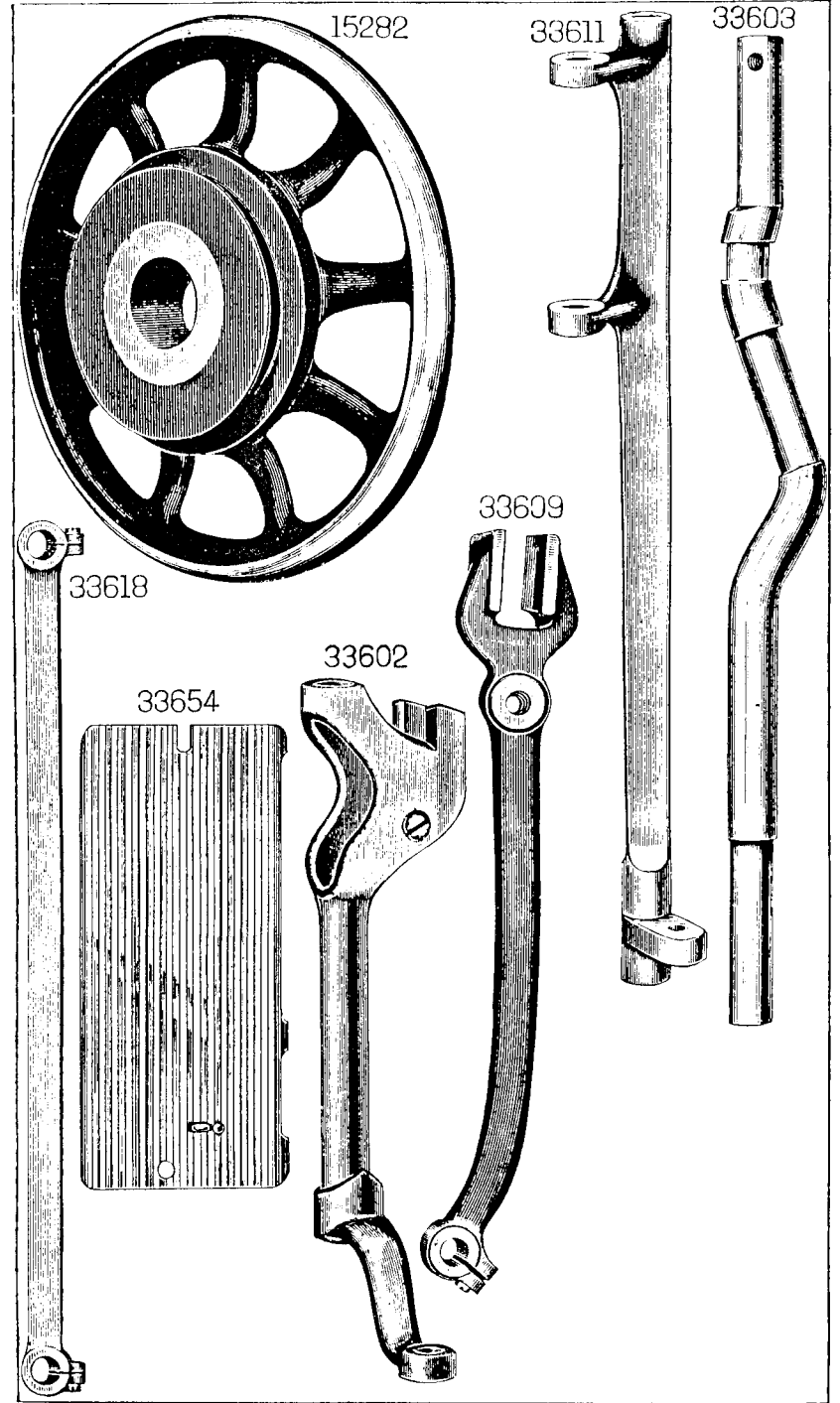
**SINGER**  
**99K29,K31**

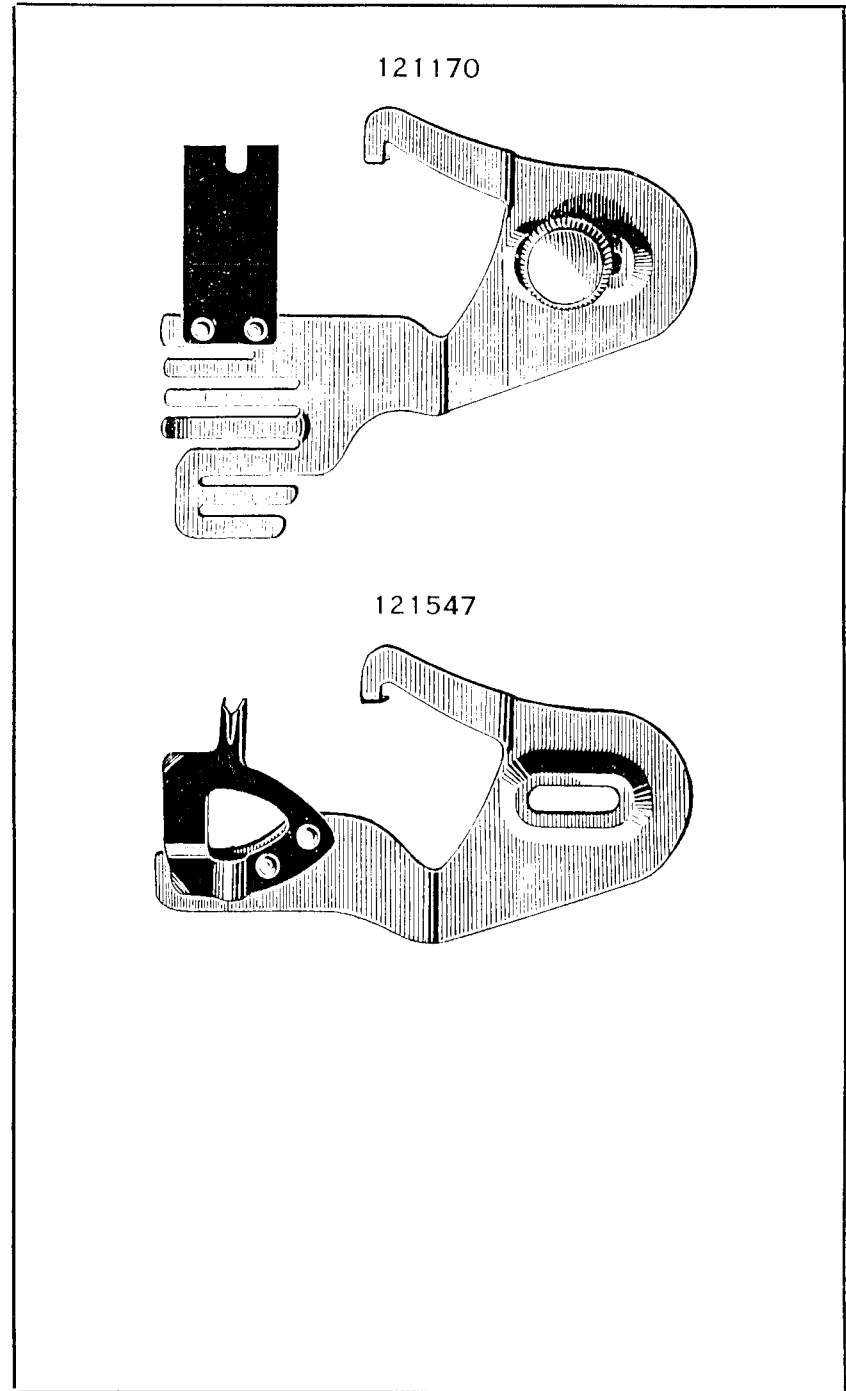
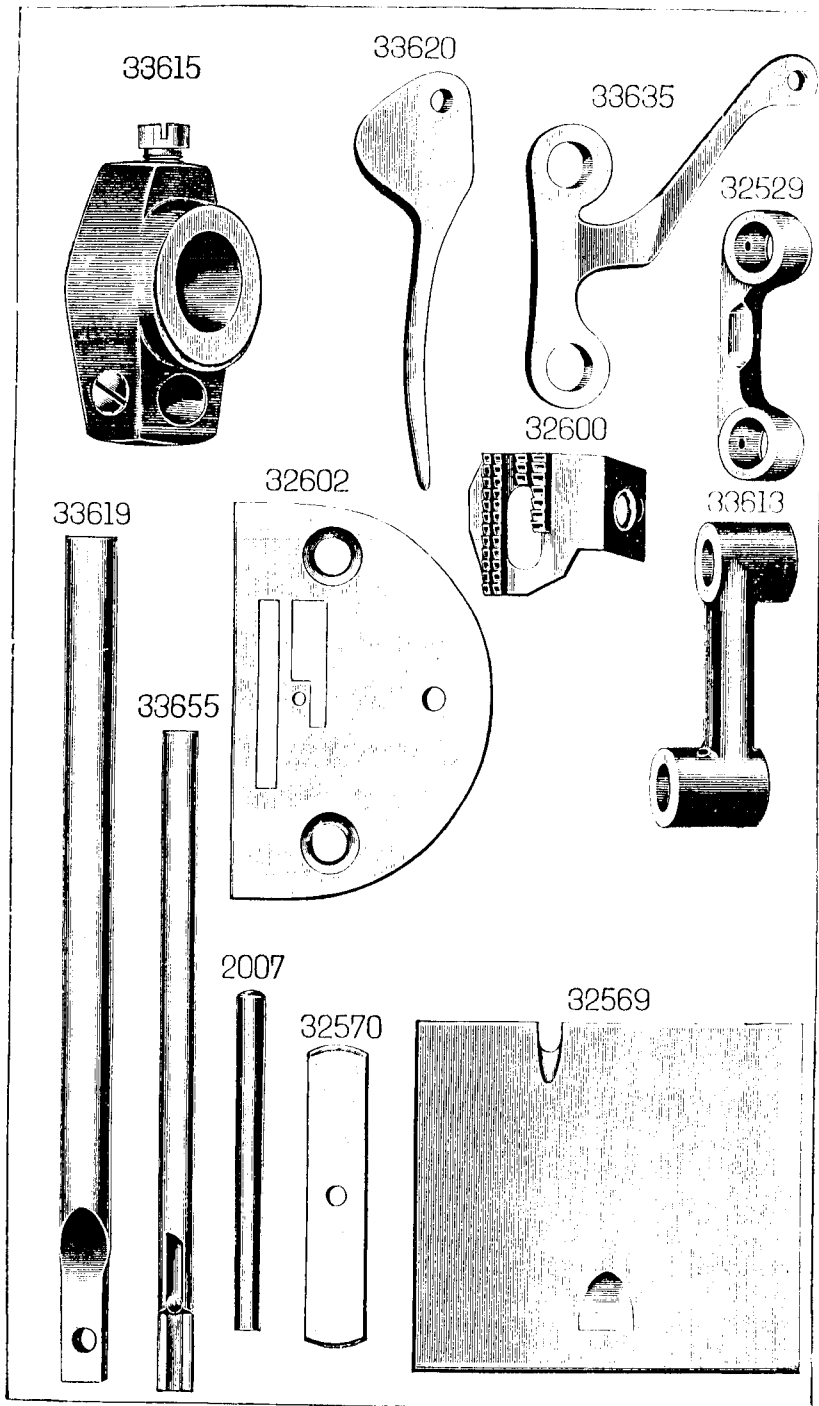
ILLUSTRATED  
LIST OF PARTS  
FOR  
Nos. 99K29 to 99K31  
Machines



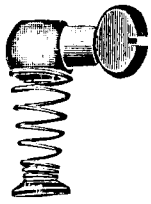
No. 99K29 Machine

\*\* A Trade Mark of  
THE SINGER MANUFACTURING COMPANY





86496



86493



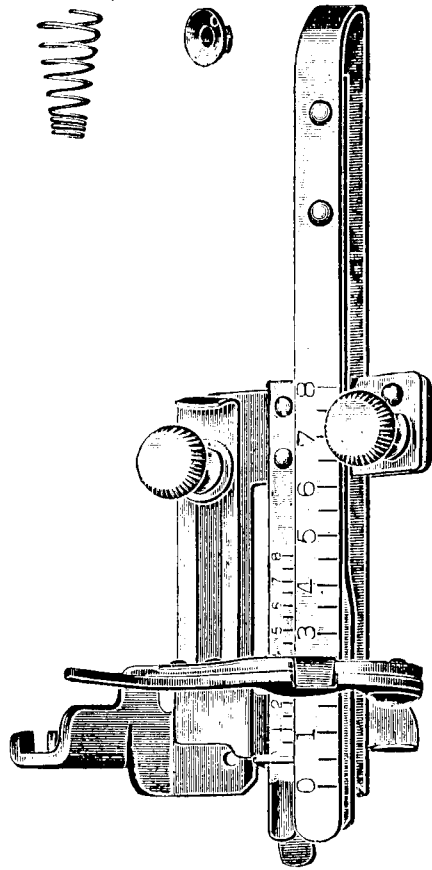
86494



86495



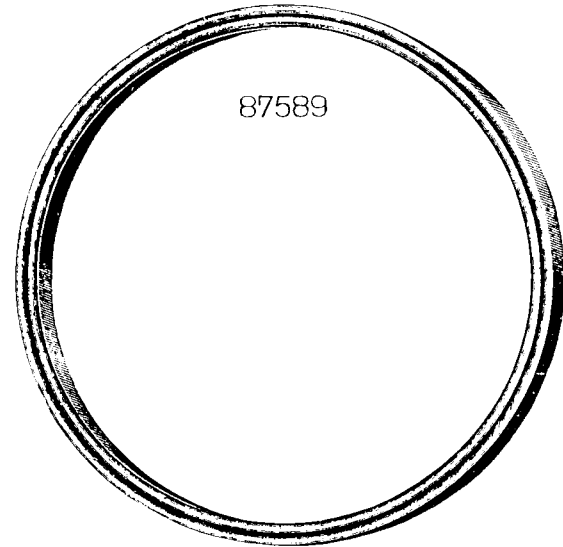
36583



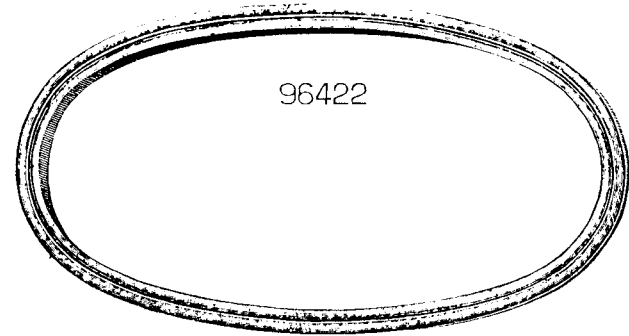
140545



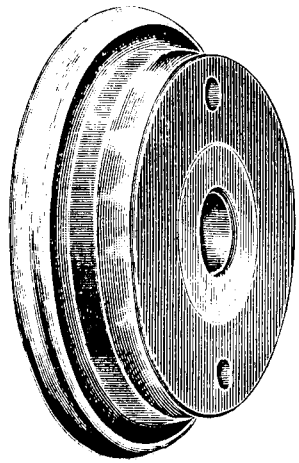
87589



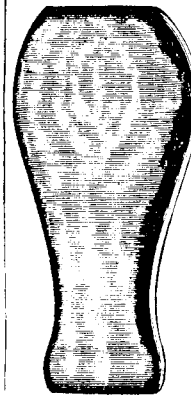
96422



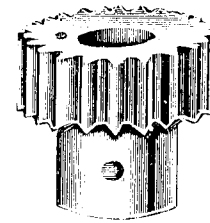
32672



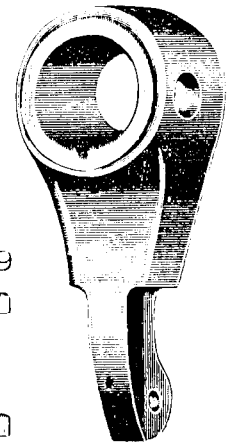
94028



94048



94046



94036



94039



94029



94069



80028



94032



94044



55531



94038



94037



94033



94030



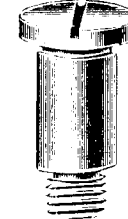
183



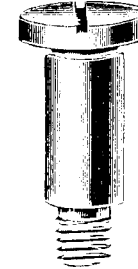
94040



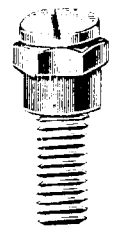
SS599



SS600



SS566



399

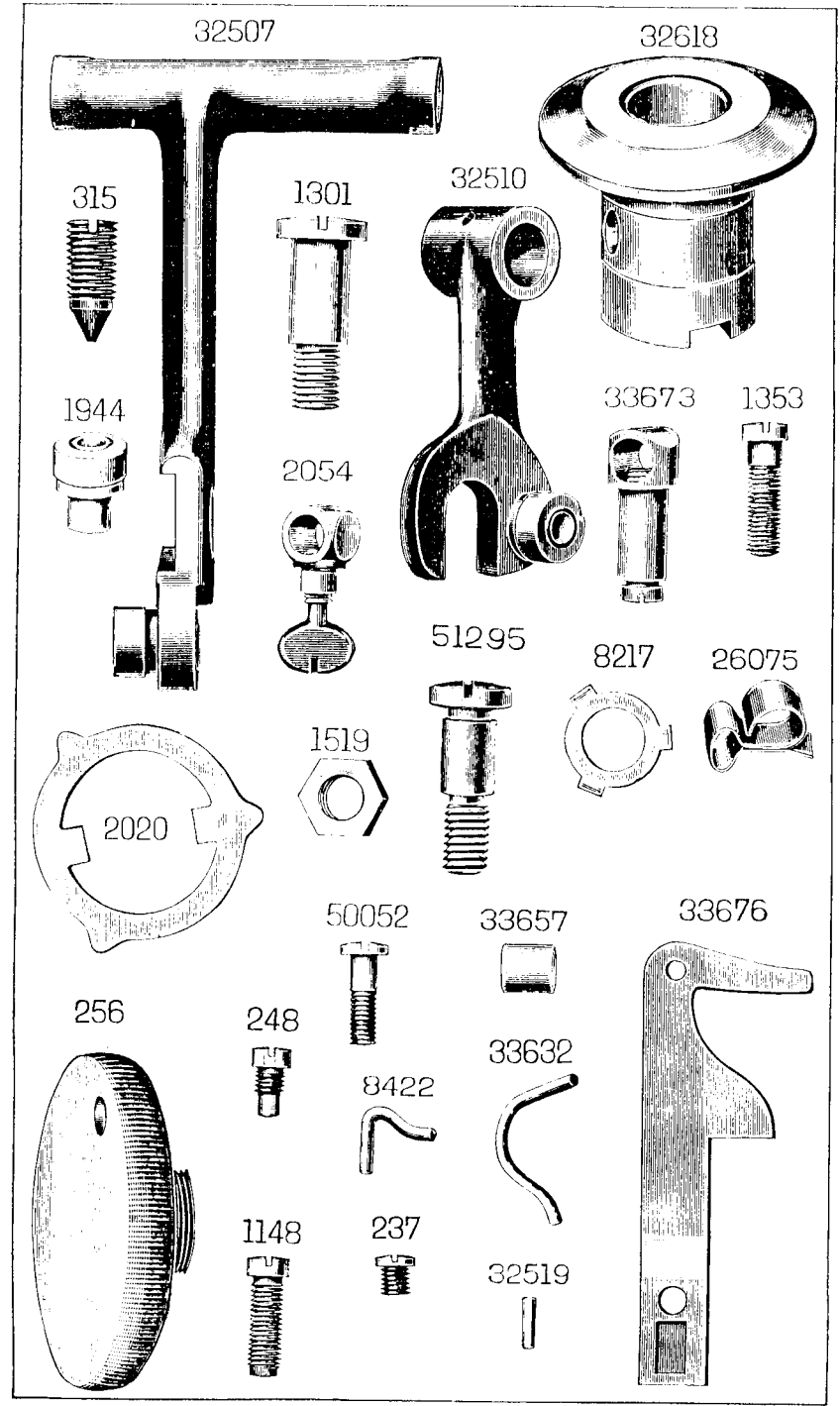
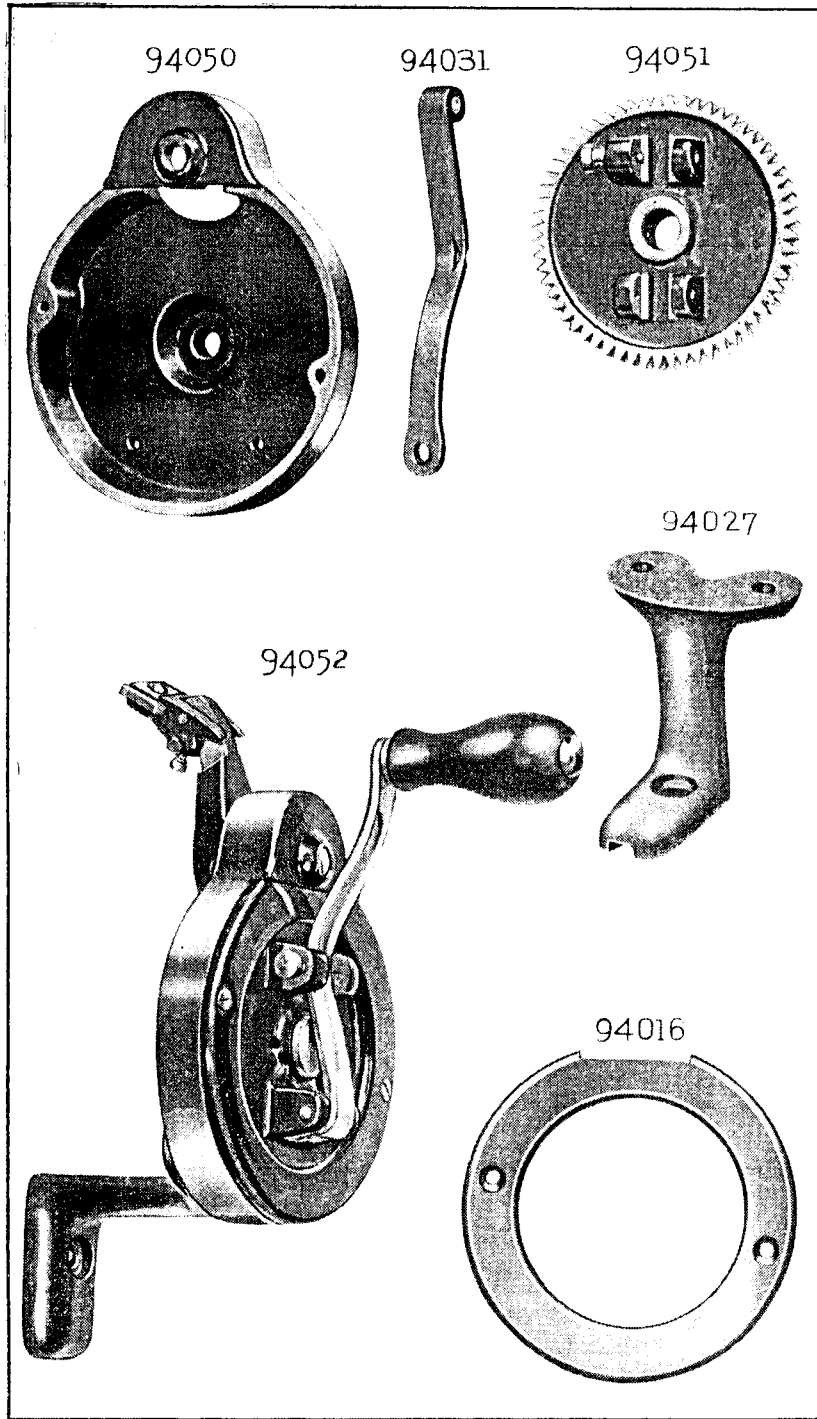


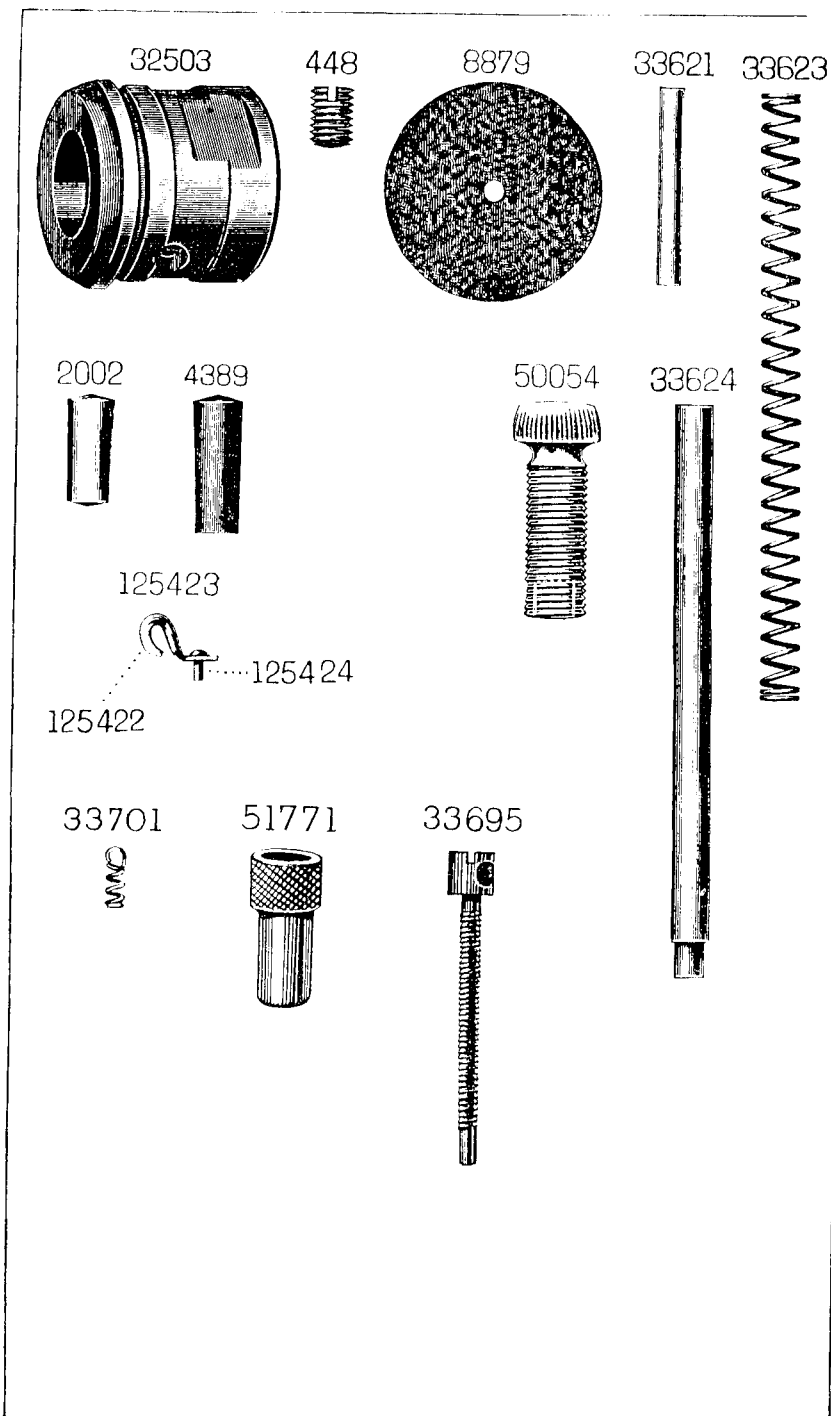
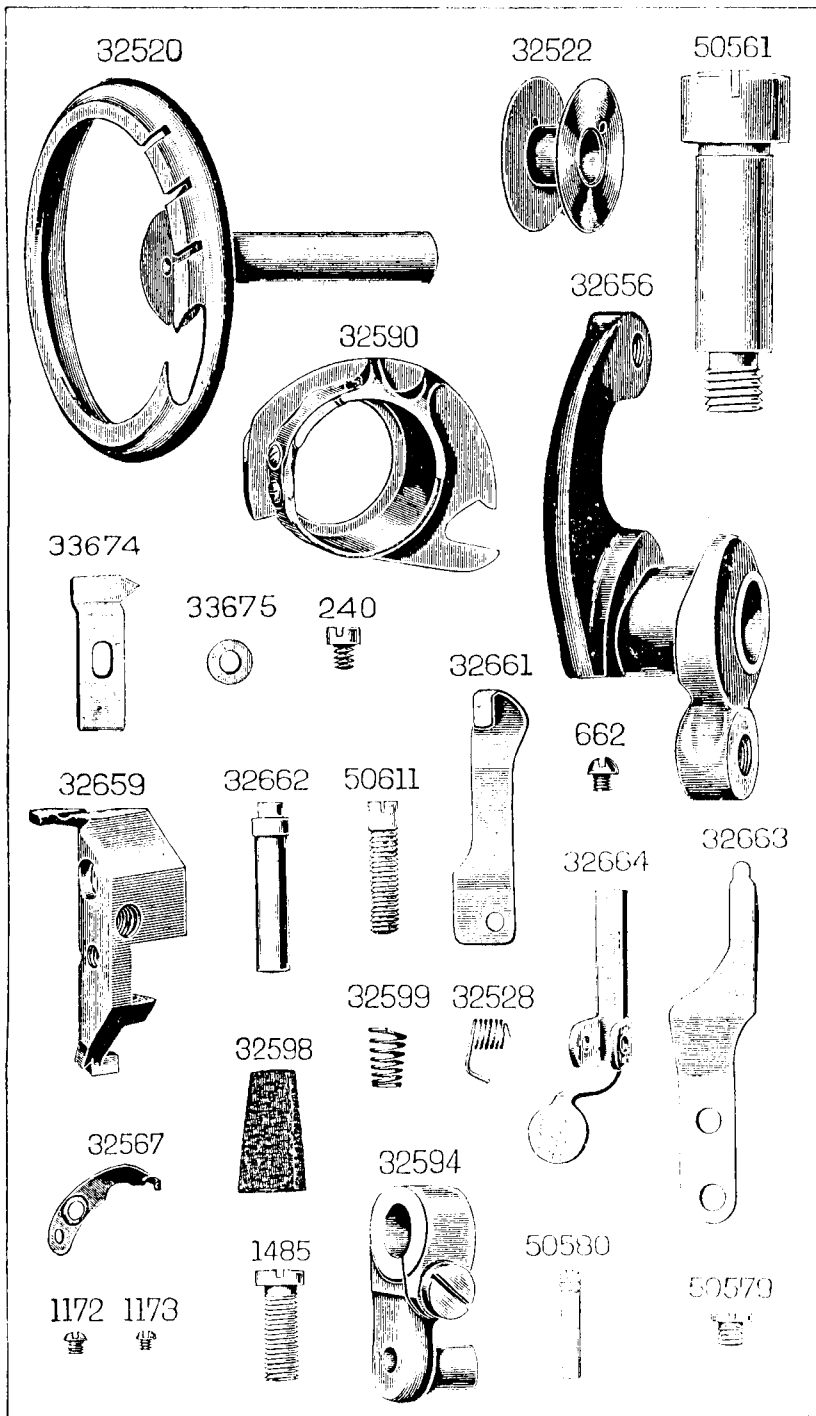
SS565



SS567

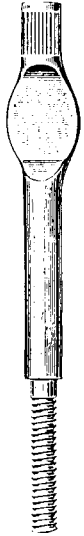








SS528



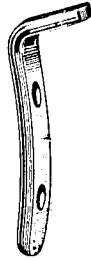
96425



96426



96844



96427



96845



NW95



44



138



175



191



203



216



226



307



691



905



1085



1132



1134



1216



1381



50046



50047



50684



51045



51224



1512



1513

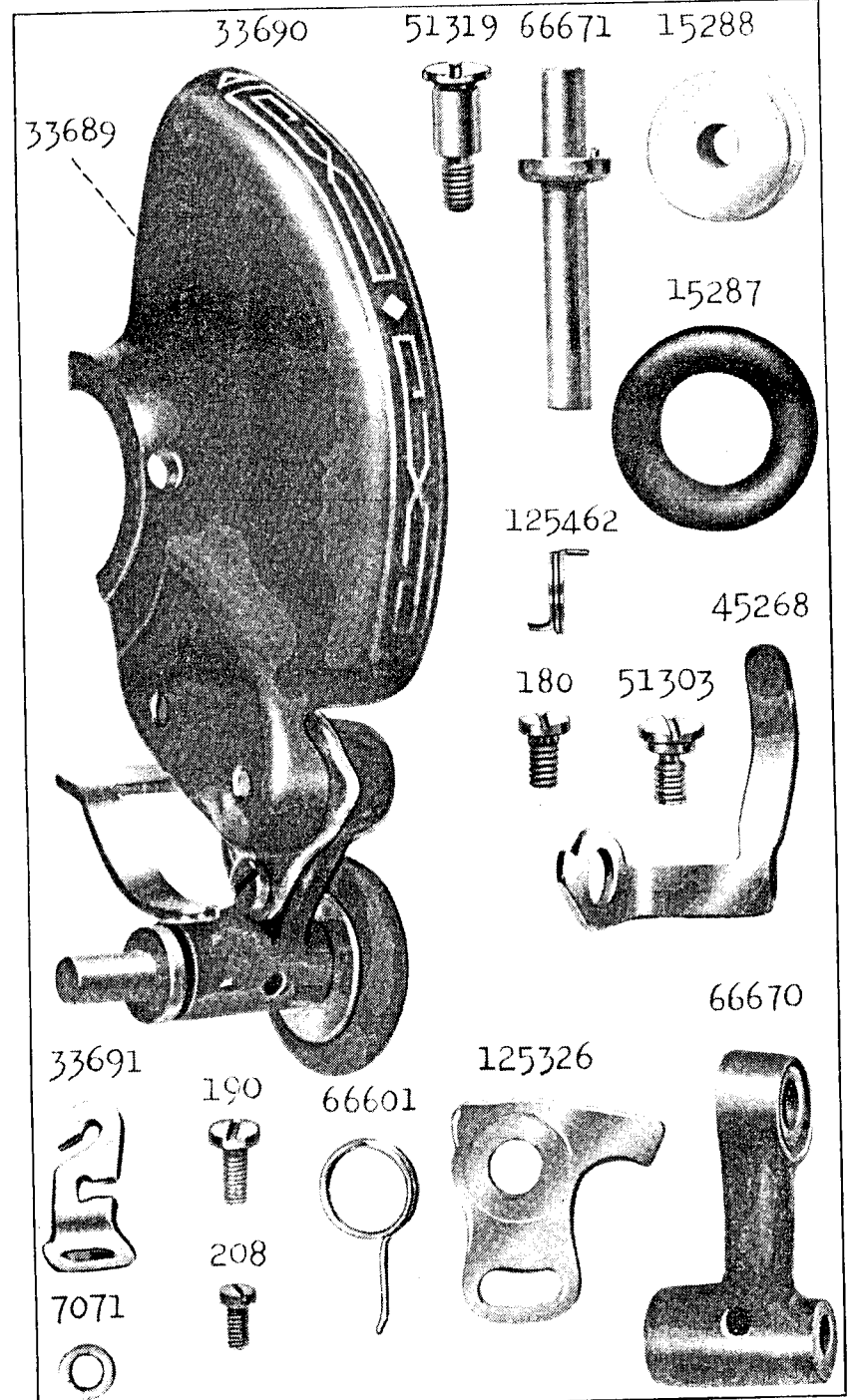
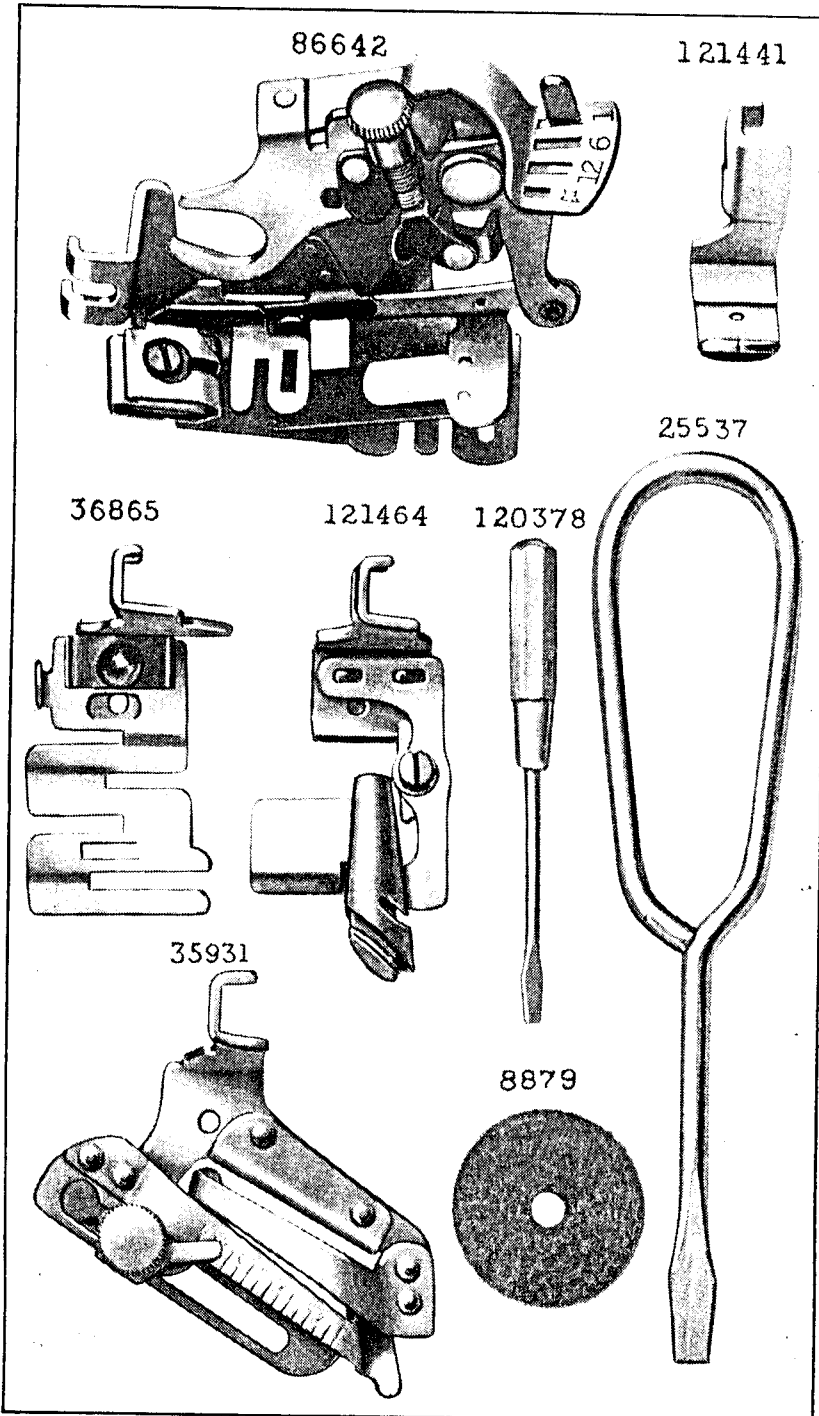


1520

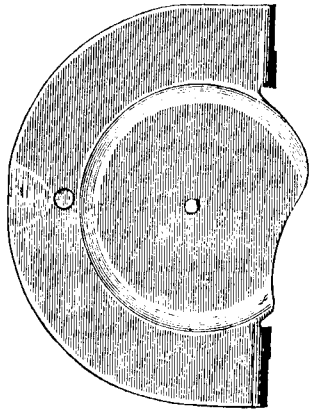


1832

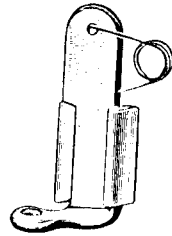




32622



121094



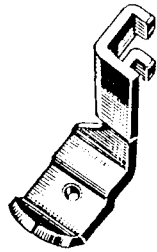
85893



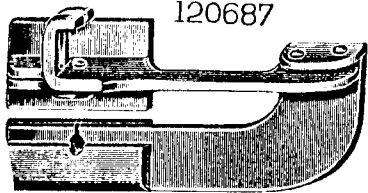
120842



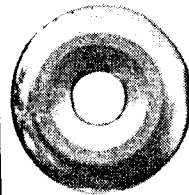
121441



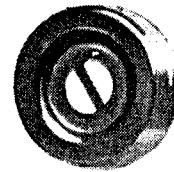
120687



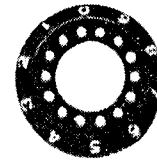
2102



45866



45864



45865



33660



45869



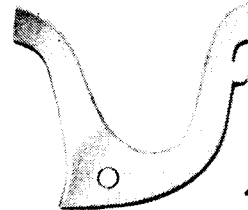
32574



51681



33659



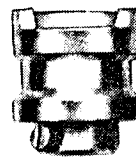
33671



140167



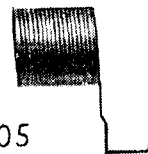
32759



453



32758



50305



50056



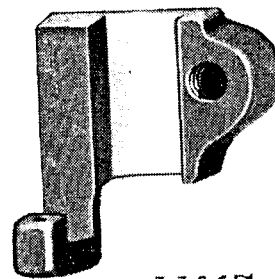
33637



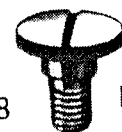
33700



33693



50057

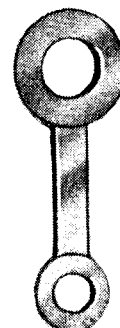


1036



33699

33638



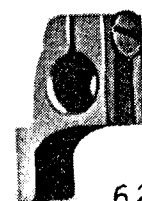
32773



33698



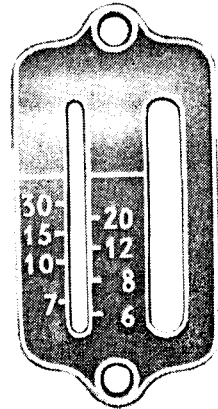
33667

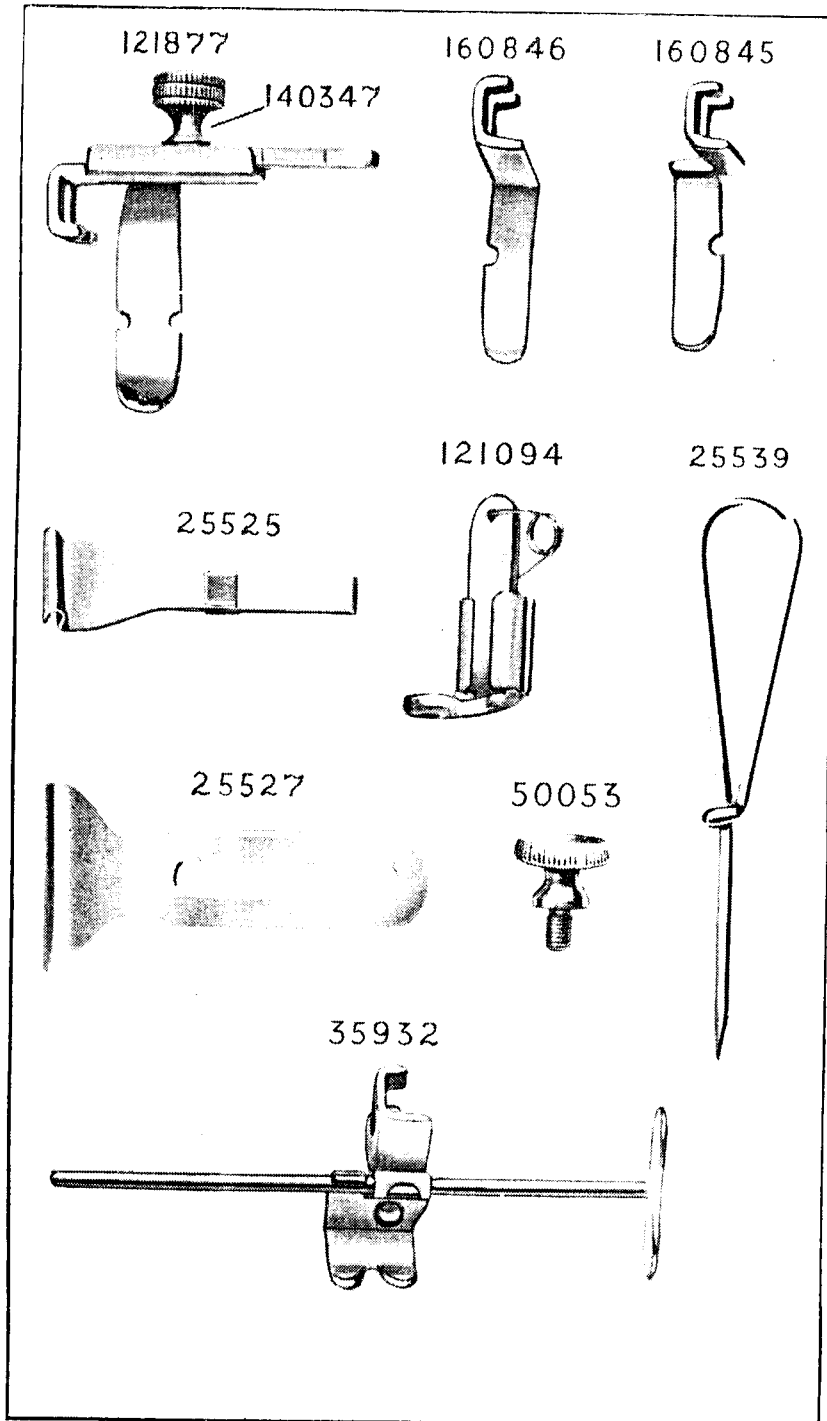


624



51384





ILLUSTRATED  
LIST OF PARTS  
FOR  
Nos. 99K26 to 99K28  
Machines

## CONTENTS

	Page
Attachments and Accessories	31
Bobbin Winder	30
Hand Attachment	34
Machine Parts	25
Numerical List of Parts	37

# INSTRUCTIONS FOR ORDERING

In ordering from this List, the prefix and affix letters with the part number MUST BE quoted exactly as they are shown in the first column.

A number always indicates the same part in whatever List it may appear, or for whatever machine.

The affix letters (where shown) indicate the style of finish, as follows:—

- A. Hardened, Polished, Nickel Plated and Buffed.
- A.A. Buffed and Chromium Plated.
- A.B. Hardened, Polished, Buffed and Chromium Plated.
- A.C. Brown Baking Enamel Finish.
- A.D. Grey Baking Enamel Finish.
- A.E. Hardened, Bright Rumbled and Nickel Plated.
- A.F. Hardened, Bright Rumbled and Nickel Plated, Bright Rumbled and Chromium Plated.
- A.J. Polished, Nickel Plated and Chromium Plated.
- A.K. Hardened, Polished, Nickel Plated and Chromium Plated.
- A.L. Heat Treated for Toughness.
- A.L.D. Heat Treated for Toughness and Polished.
- A.L.X. Heat Treated for Toughness and Black Oxide.
- A.M. Beige Synthetic Enamel.
- A.N. Red Synthetic Enamel Finish.
- A.P. Blue Synthetic Enamel Finish.
- A.P.P. Grey Wrinkle Finish.
- A.R. Beige Wrinkle Finish.
- A.S. Black Moulded Phenolic.
- A.T. Beige Moulded Phenolic.
- A.U. Brown Moulded Phenolic.
- A.V. Black Synthetic Enamel.
- A.W. Hardened and Flame Coated with Tungsten Carbide.
- A.X. Grey Dipping Enamel.
- B. Polished, Nickel Plated and Buffed.
- C. Hardened only.
- C.R. Hardened and Phosphoric Treated.
- D. Polished only.
- E. Soft, not Polished.
- F. Hardened and Polished.
- F.J. Hardened, Polished and Nickel Plated.
- G. Bright Rumbled and Nickel Plated.
- H. Blued.
- J. Nickel Plated only.
- K. Hardened and Nickel Plated.
- L. Brass Plated.
- M. Oxidized.
- N. Japanned, Dull.
- P. Japanned, Bright.
- P.P. Wrinkle Finish.
- R. Phosphoric Treated.
- S. Cadmium Plated.
- T. Copper Plated.
- T.A. Hardened, Polished, Copper and Nickel Plated and Buffed.
- T.B. Copper and Nickel Plated and Polished.
- T.J. Copper and Nickel Plated only.
- T.K. Hardened, Copper and Nickel Plated.
- T.L. Copper and Brass Plated.
- T.M. Copper Plated and Oxidized.
- U. Zinc Plated.
- V. Silver Plated.
- W. Polished and Nickel Plated.
- X. Black Oxide for Iron and Steel.
- X.C. Hardened and Black Oxide for Iron and Steel.
- Y. Black Nickel Plated only.
- Z. Chromium Plated.
- Z.A. Hardened, Polished, Nickel Plated, Buffed and Chromium Plated.
- Z.B. Polished, Nickel Plated, Buffed and Chromium Plated.
- Z.C. Hardened and Chromium Plated.
- Z.D. Polished and Chromium Plated.
- Z.G. Bright Rumbled, Nickel Plated, Bright Rumbled and Chromium Plated.
- Z.J. Nickel and Chromium Plated.
- Z.T. Copper and Chromium Plated.

Parts marked with an asterisk(\*) are furnished only when the repairs are made at Factory.

## PARTS COMPLETE FOR CLASS 99K MACHINES

(Nos. 99K29 to 99K31)

Lock Stitch ; Horizontal Oscillating Hook ; Stationary Bobbin Case ;  
Link Take-up ; Reversible Drop Feed ; for Family Use

No.	Plate				
*33692		Arm with 118za and 32503	...	...	...
2002	2396	" Dowel Pin (2)	...	...	...
1389	2396	" " " (for repairs only)	...	...	...
33602r	892	" Rock Shaft with 905e	...	...	...
33661		" " " 33602r with 1216e and 1520j	...	...	...
	905e	" " " Adjusting Screw	...	...	...
50016e	2100	" " " Screw Centre (lower)	...	...	...
33666		" " " " " ( " ) 50016e with 1512r	...	...	...
1512r	2100	" " " " " ( " ) Nut	...	...	...
50017e	2100	" " " " " (upper)	...	...	...
	138e	" Screw (3)	...	...	...
33603	892	" Shaft	...	...	...
33662		" " 33603 with 32503 and 33615	...	...	...
32503	2396	" " Bushing	...	...	...
	118za	" " " Set Screw	...	...	...
	2007zb	" Spool Pin	...	...	...
*33681p		Bed	...	...	...
	256zb	2393	Clamp Stop Motion Clamp Screw	...	...
	248za	2393	" " " " Stop Screw	...	...
	2020	2393	" " " " Washer	...	...
	32618	2393	" " " " Flanged Bushing	...	...
	1148al	2393	" " " " " Set Screw	...	...
	*26019zb		Clamp Stop Motion, complete, Nos. 248za, 256zb, 1148al, 2020 and 32618	...	...
*33663zb		Face Plate	...	...	...
33654zb	892	" " 33663zb with 125423zb	...	...	...
	203zb	2400	" " Screw	...	...
125422zb	2396	" " Thread Guard	...	...	...
125423zb	2396	" " " " 125422zb with 125421zb	...	...	...
125424zb	2396	" " " " Rivet	...	...	...
	50684zb	2400	" " Thumb Screw	...	...



## 99K MACHINE PARTS

No.	Plate	
45329zb	—	<b>Presser Foot Hinge Pin</b> ... ..
32772zb	—	" " Plate ... ..
32774zb	—	" " Shank ... ..
32773zb	2718	<b>Presser Foot</b> (hinged), complete, Nos. 32772zb, 32774zb and 45329zb ... ..
51224b	2400	" " Thumb Screw ... ..
50054zb	2396	<b>Pressure Regulating Thumb Screw</b> ... ..
33624	2396	" " " " Extension Pin ... ..
33676zb	2393	<b>Slack Thread Regulator</b> ... ..
33698	2718	<b>Stitch Indicator</b> ... ..
33699	2718	" " Plate ... ..
51384e	2718	" " " Screw (2) ... ..
33700	2718	" " Spring ... ..
2102	2718	<b>Tension Disc</b> ... ..
45866	2718	" Indicator ... ..
45864	2718	" " Flange ... ..
45865	2718	" " " Stop Washer ... ..
51681zb	2718	" Regulating Thumb Nut ... ..
33659	2718	" Releasing Lever ... ..
33671	2718	" " " Hinge Pin ... ..
33660	2718	" " " Spring ... ..
32574	2718	" " Pin ... ..
45869	2718	" Spring ... ..
140167zb	2718	" Stud ... ..
45870	—	" " 140167zb with 51681zb ... ..
50305c	2718	" " Set Screw ... ..
32757	—	<b>Tension</b> (graduated), complete, Nos. 32574, 32758, 32759, 45864 to 45866, 45869, 45870 and two 2102 ... ..
26075e	2393	<b>Thread Cutter and Holder</b> ... ..
33632zb	2393	<b>Thread Guard</b> (front of arm) ... ..
237zb	2393	" " ( " " " ) Set Screw ... ..
8422zb	2393	" " (head of arm) ... ..
33634	2718	" Take-up Crank ... ..
1036al	2718	" " " Set Screw ... ..
33635za	895	" " Lever ... ..
33636za	—	" " " complete, Nos. 33635za, 33637 and 33638 ... ..
33679za	—	" " " 33636za with 33634, 33678, 50056e and 50057c ... ..
50056e	2718	" " " Cap Screw ... ..
33637	2718	" " " Hinge Stud ... ..
624al	2718	" " " " Set Screw ... ..

## 99K MACHINE PARTS

No.	Plate	
33638	2718	<b>Thread Take up Lever Link</b> ... ..
50057c	2718	" " " " Hinge Screw ... ..
32758	2718	" " Spring ... ..
32759	2718	" " " Regulator with 50305c ... ..
453al	2718	" " " " Set Screw ... ..
32602za	895	<b>Throat Plate</b> for 32600 ... ..
691za	2400	" " Screw (2) ... ..
33674	2394	<b>Timing Gauge</b> (for setting the height of needle Bar and timing the Oscillating Hook) ... ..
240e	2394	" " Screw ... ..
33675	2394	" " " Washer ... ..
94013	—	<b>Drip Pan</b> (for Machine on Cover Set) ... ..



## Bobbin Winder (Universal)

No.	Plate	
33689	2646	Bracket (belt cover) ... ..
180zb	2646	" Screw ... ..
66670	2646	Frame ... ..
45297		" 66670 with 15288 and 66671 ... ..
51319zb	2646	" Hinge Screw ... ..
66601	2646	" Spring ... ..
15287	2646	Friction Ring (rubber) ... ..
15288	2646	Pulley ... ..
66671	2646	Spindle... ..
45268	2646	Stop Latch ... ..
51303zb	2646	" " Hinge Screw ... ..
125462	2646	" " Spring ... ..
125326	2646	Tripping Arm ... ..
190zb	2646	" " Screw ... ..
<b>33690</b>	<b>2646</b>	<b>Bobbin Winder, complete, Nos. 190zb, 15287, 33689, 45268, 45297, 51303zb, 51319zb, 66601, 125326 and 125462 ... ..</b>
33691	2646	Thread Guide ... ..
208zb	2646	" " Screw ... ..
7071	2646	" " " Washer ... ..

## Attachments ATTACHMENT SET (Supplied with Machine)

No.	Plate	
121464	2574	Binder ... ..
36865	2574	Edge Stitcher ... ..
121441	2574	Gathering Foot (double toe) ... ..
35931	2574	Hemmer (adjustable) ... ..
15 x 1		Needles (6) ... ..
86612	2574	Ruffler ... ..
25537	2574	Screw Driver (machine) ... ..
120378	2574	" " (bobbin case) ... ..
8879	2574	Spool Pin Washer (cloth) ... ..
160810		Set of Attachments, complete, Nos. 25537, 35931, 36865, 86612, 120378, 121441, 121464, two 8879 and six needles... ..
120812	2649	Hemmer (foot) $\frac{5}{8}$ " hem ... ..
32522	2394	Oscillating Hook Bobbin (1) ... ..
120861		Tin of Oil (3 oz.) ... ..

### ATTACHMENTS WHICH MAY BE PURCHASED SEPARATELY

25525	2719	Bias Gauge ... ..
25527b	2719	Cloth Gauge ... ..
50053b	2719	" " and Under Braider Thumb Screw ... ..
120687	2649	Imitation Hemstitching Attachment with Yielding Presser Plate ... ..
35932	2719	Quilter ... ..
121170	909	Ruffler Shurring Plate ... ..
25539	2719	Stiletto... ..
36583	1160	Tucker ... ..
121547	909	Under Braider ... ..

### CORDING FEET

#### FOR STITCHING ON EDGE, INSERTING CORD AND SLIDE FASTENER WORK

No.	Plate	
160845	2719	Cording Foot (left toe) ... ..
160846	2719	" " (right toe) ... ..

### PRESSER FOOT

#### FOR CORDING AND SLIDE FASTENER WORK

No.	Plate	
121875		Presser Foot ... ..
140347w	2719	" " Adjusting Thumb Screw ... ..
121876		" " Body ... ..
121877	2719	Presser Foot (adjustable) for sewing on the right or left side of the needle, complete, Nos. 121875, 121876 and 140347w ... ..

**NEEDLE THREADER**

No.	Plate	
121632	---	Needle Threader (Universal) ... ..

**DARNING AND EMBROIDERY**

No.	Plate	
86493	1160	Darning Presser Needle Clamp with 140545k ... ..
86494	1160	" " " " Stripper Spring ... ..
86495	1160	" " " " " " Eyelet ... ..
140545k	1160	" " " " Thumb Screw ... ..
86496	1160	Darning Presser, complete, Nos. 86493 to 86495 ... ..
121094	2649	Spring Darning Foot ... ..
85893	2649	Embroidery Foot ... ..
32622	2649	Feed Cover Plate ... ..

**EMBROIDERY HOOPS (Plain)  
(BIRCH)**

No.	Plate	
87586		Round, 5 $\frac{5}{8}$ " diam. $\times$ 7 $\frac{m}{m}$ high ... ..
96416		" 7" " $\times$ 7 $\frac{m}{m}$ " " ... ..
87589	1221	" 8" " $\times$ 7 $\frac{m}{m}$ " " ... ..
87593		" 10" " $\times$ 7 $\frac{m}{16}$ " " ... ..
87595		" 12" " $\times$ 7 $\frac{m}{2}$ " " ... ..
96422	1221	Oval, 9" $\times$ 4 $\frac{1}{2}$ " $\times$ 7 $\frac{m}{m}$ high ... ..
87597	---	" 12" $\times$ 5 $\frac{1}{2}$ " $\times$ 7 $\frac{m}{m}$ " " ... ..

**EMBROIDERY HOOPS (with Clamp)  
(BIRCH)**

No.	Plate	
96417		Round, 5 $\frac{5}{8}$ " diam. $\times$ 7 $\frac{m}{m}$ high, with SS528j, NN95j, two 96425 and four 96427 ... ..
96418		" 7" " $\times$ 7 $\frac{m}{m}$ " " SS528j, NN95j, two 96426 and four 96427 ... ..
96419		" 8" " $\times$ 7 $\frac{m}{m}$ " " SS528j, NN95j, two 96426 and four 96427 ... ..
96420		" 10" " $\times$ 7 $\frac{m}{16}$ " " SS528j, NN95j, two 96426 and four 96427 ... ..
96421		" 12" " $\times$ 7 $\frac{m}{2}$ " " SS528j, NN95j, two 96844 and four 96845 ... ..
96423		Oval, 9" $\times$ 4 $\frac{1}{2}$ " $\times$ 7 $\frac{m}{m}$ high, with SS528j, NN95j, 96425, 96426 and four 96427 ... ..
96424		" 12" $\times$ 5 $\frac{1}{2}$ " $\times$ 7 $\frac{m}{m}$ " " SS528j, NN95j, 96425, 96426 and four 96427 ... ..
96425	2399	Clamping Bracket for 96417, 96423 and 96424 ... ..
96426	2399	" " " 96418 to 96420, 96423 and 96424 ... ..
96844	2399	" " " 96421 ... ..
96427	2399	" " " Rivet for 96417 to 96420, 96423 and 96424 ... ..
96845	2399	" " " " 96421 ... ..
SS528j	2399	" " " Screw ... ..
NN95j	2399	" " " Nut ... ..

