

**SINGER**  
99W130

Form 2463w

(745)

Printed in U. S. A.

# LIST OF PARTS



## MACHINE No. 99w130

---

\*\* A Trademark of THE SINGER MANUFACTURING COMPANY  
**THE SINGER MANUFACTURING COMPANY**

# INSTRUCTIONS FOR OILING

---

To ensure easy running and prevent unnecessary wear of the parts which are in movable contact, the machine requires oiling and when in continuous use, "TYPE B" or "TYPE D" OIL, sold only by Singer Sewing Machine Company, should be applied at least daily to all oil holes marked "OIL", as instructed in Form 2450w.

"TYPE D" OIL is stainless.

## INDEX

---

	Page
Accessories .....	35
Buttonhole Cutting Blocks .....	41
"          " Knives .....	42
Driving Equipment .....	36
Machine No. 99w130 .....	5
Numerical List of Parts .....	49
Pattern Wheels .....	42
Shaft Pulleys .....	47
Singer Truing Knife Fixture .....	48
Thread Lubricating Cup .....	48
" Unwinder .....	36

## INSTRUCTIONS FOR ORDERING

In ordering from this list, use ONLY the PART number in the FIRST column.

The number stamped on a Sewing Machine Part is the number of the Single Part only, except when the part includes Set Screws, Clamping Screws, Studs and Rollers Spun on, Small Wires riveted, or Parts soldered together, etc., which it is necessary to furnish in combination.

Every combination of parts sent out has its specific number which, although not stamped on Parts (except in above case), must be used when ordering the combination.

Each number always indicates the SAME PART in whatever list it appears, or for whatever Machine.

The letters after some of the numbers indicate the style of finish only, as follows:

- A. Hardened, Polished, Nickel Plated and Buffed.
- B. Polished, Nickel Plated and Buffed.
- C. Hardened only.
- D. Polished only.
- E. Soft, not polished.
- F. Hardened and Polished.
- H. Blued.
- J. Nickel Plated only.
- R. Merlized.
- X. Black Oxide.
- XC. Hardened and Black Oxide.
- Y. Black Nickel only.

These letters MUST BE USED when they appear in the list and AFTER the number, as in the list.

In this series:

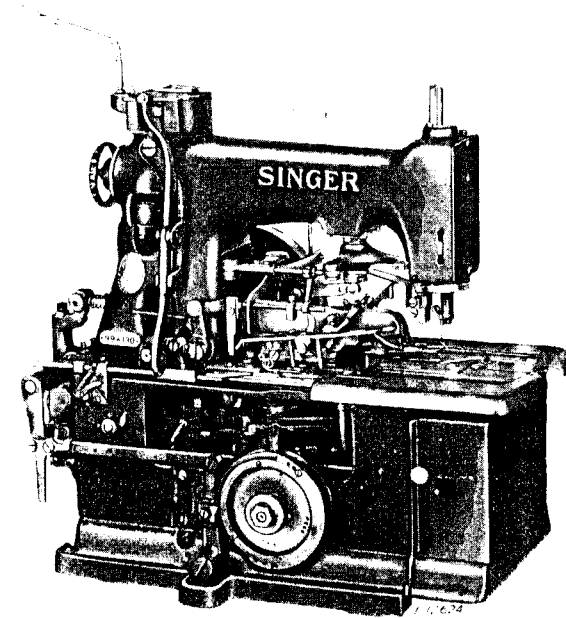
200001 to 201500 and 350001 to 351500 are Screw Numbers.  
201501 to 201800 and 351501 to 351800 are Nut Numbers.  
201801 to 202000 and 351801 to 352000 are Roller Numbers.  
202001 to 350000 are Numbers of Machine Parts.

The figures in the second column refer only to the plate in which the illustration of the part is shown and are NOT TO BE USED in ordering.

Two or more numbers over a cut indicate that the difference between such parts is not visible in an illustration.

Parts marked with an asterisk (\*) are furnished when repairs are made at the factory.

## LIST OF PARTS COMPLETE FOR



### MACHINE No. 99w130

Automatic Eyelet End Buttonhole Machine for Clothing

Long Travel Machine. Sewing Capacity  $\frac{5}{8}$  to  $1\frac{5}{8}$  in.

Cuts Straight or Eyelet End Buttonholes from

$\frac{5}{8}$  to  $1\frac{9}{16}$  in. long and Taper Bar

Buttonholes from  $\frac{5}{8}$  to  $1\frac{1}{2}$  in. long

Cuts the hole BEFORE stitching

No.	Plate	Arm	Name
*256041	----		
204235	16348	"	Position Pin (2)
200020E	16348	"	Screw (4)
232488	16348	"	Shaft
232489	16348	"	" Bevel Gear with 453AL
232244	16348	"	" " " Position Pin
453AL	16348	"	" " " Set Screw
232002	16348	"	" Bushing (back) with 202260

No.	Plate	Name
232490	16348	Arm Shaft Bushing (front) with 202260
202260	16348	" " " Oil Packing (wick)
200100E	16348	" " " Screw (4)
232003	16348	" " Hand Wheel with two 200341C
200341C	16348	" " " " Set Screw
150D	16348	" " Screw
250002	16348	" Side Cover
200110D	16348	" " " Screw
*256042	-----	Bed with 250078,255509 to 250012,two each 127D,40025 and eight 3016RE
250009	16350	Bed End Cover
232025	16350	" " " Catch (2)
232026	16350	" " " " Position Pin (2)
250010	16350	" " " " Releaser (2)
204264	16350	" " " " " Stop Pin (2)
200047D	16350	" " " " " Screw (2)
201531H	16350	" " " " " Nut (2)
250011	16350	" " " " Support (left)
250012	16350	" " " " " (right)
457AL	16350	" " " " " Set Screw (2)
250013	16367	" Extension
250397	16367	" " " Position Pin (2)
134D	16367	" " " Screw (4)
250014	16349	" Shaft
255521	16349	" " Bevel Gear with two 453AL
232719	16349	" " " " Position Pin (2)
453AL	16349	" " " " " Set Screw
232030	16349	" " Bushing (back) with 202260
202260	16349	" " " " " Oil Packing (wick)
232821	16349	Bed Shaft Bushing (back) Oil Tube (brass)
230795	16349	Bed Shaft Bushing (back) Oil Tube Pin
350455E	16349	" " " " " Screw (2)
201730E	16349	" " " " " Nut (2)
250015	16349	" " " " (front)
255527	16349	" " " " " Oil Tube (brass)
250451	16349	" " " " " " Bracket
330D	16349	" " " " " " " Screw
232244	16349	Bed Shaft Bushing (front) Position Pin
200100E	16349	" " " " " Screw (2)
250017	16349	" " Collar with two 1258AL (2)
1258AL	16349	" " " " " Set Screw
232725	16349	Belt Guard
9D	16349	" " " Screw
256106	17401	Buttonhole Cutting Block (steel) 1 in. eye or Taper Bar
350111C	16351	Buttonhole Cutting Block Pinch Screw
250468	16351	" " " " " " " Washer
1281E	16351	Buttonhole Cutting Block Stop Screw
256043	16356	" " " Carrier Cam with 200364C
40025	16356	Buttonhole Cutting Carrier Cam Position Pin

No.	Plate	Name
200364C	16356	Buttonhole Cutting Carrier Cam Set Screw
256044	16356	Buttonhole Cutting Carrier Lever with 990D,201524E,350377C and 351860
50031C	16356	Buttonhole Cutting Carrier Lever Adjusting Screw Stud
201711C	16356	Buttonhole Cutting Carrier Lever Adjusting Screw Stud Nut
39541	16356	Buttonhole Cutting Carrier Lever Adjusting Screw Stud Nut Washer
250022	16356	Buttonhole Cutting Carrier Lever Adjusting Screw Stud Sleeve
351860	16356	Buttonhole Cutting Carrier Lever Roller
990D	16356	Buttonhole Cutting Carrier Lever Roller Cap Screw
350377C	16356	Buttonhole Cutting Carrier Lever Roller Screw Stud
201524E	16356	Buttonhole Cutting Carrier Lever Roller Screw Stud Nut
232038	16356	Buttonhole Cutting Carrier Lever Slide Block
251627	16354	Buttonhole Cutting Driving Wheel with 446E
255544	16354	Buttonhole Cutting Driving Wheel Lock
232044	16354	" " " " " " " Spring
200051E	16354	Buttonhole Cutting Driving Wheel Lock Spring Screw
228026	16354	Buttonhole Cutting Driving Wheel Lock Spring Screw Washer
255545	16354	Buttonhole Cutting Driving Wheel Lock Stop Plate
162D	16354	Buttonhole Cutting Driving Wheel Lock Stop Plate Screw (2)
255546	16354	Buttonhole Cutting Driving Wheel Lock Stop Plate Screw Lock Washer (2)
232150	16354	Buttonhole Cutting Driving Wheel Position Pin
446E	16354	Buttonhole Cutting Driving Wheel Set Screw
256655	17401	Buttonhole Cutting Knife (.140 x .228 in.elliptical eye)
250027	17401	Buttonhole Cutting Knife Adjusting Block
1100D	17401	Buttonhole Cutting Knife Adjusting Block Screw
256219	17401	Buttonhole Cutting Knife Base Plate
1485D	17401	" " " " " " " Adjusting Screw (left)
350459E	17401	Buttonhole Cutting Knife Base Plate Adjusting Screw (right)
1454E	17401	Buttonhole Cutting Knife Base Plate Screw
250475	17401	Buttonhole Cutting Knife Clamping Lever

No.	Plate	Name
350114C	17401	Buttonhole Cutting Knife Clamping Lever Hinge Screw
250030	17401	Buttonhole Cutting Knife Clamping Plate
256218	16351	Buttonhole Cutting Lever (lower) with 251269 and 251270
251137	16353	Buttonhole Cutting Lever (lower) Cam with 453AL
40025	16353	Buttonhole Cutting Lever (lower) Cam Position Pin
453AL	16353	Buttonhole Cutting Lever (lower) Cam Set Screw
250033	16351	Buttonhole Cutting Lever (upper) with 232482,250468,350111C and two 232483
256222	16353	Buttonhole Cutting Lever (upper) Cam with 453AL
40025	16353	Buttonhole Cutting Lever (upper) Cam Position Pin
453AL	16353	Buttonhole Cutting Lever (upper) Cam Set Screw
*250464	16351	Buttonhole Cutting Lever Bracket with 200089D
*250465	16351	Buttonhole Cutting Lever Bracket Arm
50027E	16351	" " " " " " Screw
250530	16351	Buttonhole Cutting Lever Bracket complete, Nos. 250464, 250465 and two 50027E
255152	16351	Buttonhole Cutting Lever Bracket Gib (left)
250037	16351	Buttonhole Cutting Lever Bracket Gib (right)
232380	16351	Buttonhole Cutting Lever Bracket Gib Adjusting Plate (?)
219E	16351	Buttonhole Cutting Lever Bracket Gib Adjusting Plate Screw (4)
206482	16351	Buttonhole Cutting Lever Bracket Gib Adjusting Plate Screw Washer (4)
350304E	16351	Buttonhole Cutting Lever Bracket Gib (left) Screw (3)
201176E	16351	Buttonhole Cutting Lever Bracket Gib (right) Screw (3)
250038	16351	Buttonhole Cutting Lever Hinge Stud
200089D	16351	" " " " " " Set Screw
251268	16351	Buttonhole Cutting Lever Spring
251269	16351	" " " " " " Bracket (lower)
251270	16351	Buttonhole Cutting Lever Spring Bracket (lower) Pin
232482	16351	Buttonhole Cutting Lever Spring Bracket (upper)
232483	16351	Buttonhole Cutting Lever Spring Bracket (upper) Pin
251281	16359	Buttonhole Cutting Lock

No.	Plate	Name
256701	16480	Buttonhole Cutting Lock Cam with two 435AL
251359	16480	Buttonhole Cutting Lock Cam Guard
690D	16480	" " " " " " Screw
435AL	16480	" " " " " " Position Screw
788D	16359	Buttonhole Cutting Lock Hinge Screw
251283	16359	" " " " " " Rock Shaft
251284	16359	" " " " " " " " 251283 with 222526 and 251286
251150	16359	Buttonhole Cutting Lock Rock Shaft Bracket (front)
232154	16359	Buttonhole Cutting Lock Rock Shaft Bracket (front) Position Pin (2)
161D	16359	Buttonhole Cutting Lock Rock Shaft Bracket (front) Screw (2)
251143	16359	Buttonhole Cutting Lock Rock Shaft Bracket (rear)
232154	16359	Buttonhole Cutting Lock Rock Shaft Bracket (rear) Pin (2)
145E	16359	Buttonhole Cutting Lock Rock Shaft Bracket (rear) Screw
251285	16359	Buttonhole Cutting Lock Rock Shaft Finger with 462AL
250070	16359	Buttonhole Cutting Lock Rock Shaft Finger Link
201099C	16359	Buttonhole Cutting Lock Rock Shaft Finger Link Screw (2)
222526	16359	Buttonhole Cutting Lock Rock Shaft Finger Position Pin
462AL	16359	Buttonhole Cutting Lock Rock Shaft Finger Set Screw
251286	16359	Buttonhole Cutting Lock Rock Shaft Lever with 462AL and 201950
222526	16359	Buttonhole Cutting Lock Rock Shaft Lever Pin
201950	16359	Buttonhole Cutting Lock Rock Shaft Lever Roller and Stud
462AL	16359	Buttonhole Cutting Lock Rock Shaft Lever Set Screw
251141	16359	Buttonhole Cutting Lock Spring
350215E	16359	" " " " " " Stud Screw
250039	17401	Buttonhole Cutting Pressure Wedge with 232056
*201155D	17401	Buttonhole Cutting Pressure Wedge Adjusting Screw
250538	17401	Buttonhole Cutting Pressure Wedge Adjusting Screw 201155D with 2273, 201672E, 232054 and 232055
232054	17401	Buttonhole Cutting Pressure Wedge Adjusting Screw Collar
232055	17401	Buttonhole Cutting Pressure Wedge Adjusting Screw Collar Position Pin
232466	17401	Buttonhole Cutting Pressure Wedge Adjusting Screw Lock Spring

No.	Plate	Name
662D	17401	Buttonhole Cutting Pressure Wedge Adjusting Screw Lock Spring Screw
201672E	17401	Buttonhole Cutting Pressure Wedge Adjusting Screw Nut
2273	17401	Buttonhole Cutting Pressure Wedge Adjusting Screw Nut Pin
232056	17401	Buttonhole Cutting Pressure Wedge Boss
232057	17401	" " " " Post with 662D and 232466
200122H	17401	Buttonhole Cutting Pressure Wedge Post Screw
251560	16359	Buttonhole Cutting Safety Latch
980C	16359	" " " " Hinge Screw
251568	16359	Buttonhole Cutting Safety Latch Spring
256182	16353	" " Shaft
255131	16353	" " " Hand Crank with 350289C
350290H	16353	Buttonhole Cutting Shaft Hand Crank Cap Screw
350289C	16353	Buttonhole Cutting Shaft Hand Crank Position Screw
255132	16353	Buttonhole Cutting Shaft Hand Crank Washer
256210	16353	Buttonhole Cutting Shaft Oil Packing (wick)
256220	16353	Buttonhole Cutting Shaft Pulley (loose) with 255021,255144,255158,255168, two each 172D,183C,235404, four each 1671E,210750,255546 and 256221
256002	16353	Buttonhole Cutting Shaft Pulley Bushing
255168	16353	" " " " Oil Cup
256221	16353	" " " " Stud
1671E	16353	" " " " " Nut
255546	16353	" " " " " "
		Lock Washer
256212	16353	Buttonhole Cutting Shaft Support Bracket
250397	16353	Buttonhole Cutting Shaft Support Bracket Position Pin (2)
145E	16353	Buttonhole Cutting Shaft Support Bracket Screw (2)
251138	16354	Buttonhole Cutting Starting Lever with 201085C
251561	16359	Buttonhole Cutting Starting Lever Arm
350134E	16359	" " " " " "
		Lock Stud
200027E	16359	Buttonhole Cutting Starting Lever Arm Screw (2)
232718	16354	Buttonhole Cutting Starting Lever Hinge Stud
200530E	16354	Buttonhole Cutting Starting Lever Hinge Stud Set Screw
232064	16354	Buttonhole Cutting Starting Lever Latch
350148D	16354	Buttonhole Cutting Starting Lever Latch Hinge Screw

No.	Plate	Name
201531E	16354	Buttonhole Cutting Starting Lever Latch Hinge Screw Nut
232065	16354	Buttonhole Cutting Starting Lever Latch Spring
201218E	16354	Buttonhole Cutting Starting Lever Latch Spring Screw Stud (2)
200E	16354	Buttonhole Cutting Starting Lever Latch Stop Screw
201085C	16354	Buttonhole Cutting Starting Lever Restoring Screw Stud
250044	16354	Buttonhole Cutting Starting Lever Spring
350105E	16354	Buttonhole Cutting Starting Lever Spring Screw Stud
251145	16357	Buttonhole Cutting Starting Lever Trip
251146	16357	" " " " " "
		Adjusting Point
704E	16357	Buttonhole Cutting Starting Lever Trip Adjusting Point Screw
250206	16357	Buttonhole Cutting Starting Lever Trip Adjusting Point Screw Washer
72D	16357	Buttonhole Cutting Starting Lever Trip Hinge Screw
251569	16357	Buttonhole Cutting Starting Lever Trip Spring
1241E	16357	Buttonhole Cutting Starting Lever Trip Spring Screw Eye
251148	16357	Buttonhole Cutting Starting Unlocking Lever with 201949
802D	16357	Buttonhole Cutting Starting Unlocking Lever Hinge Screw
1904	16357	Buttonhole Cutting Starting Unlocking Lever Roller
201949	16357	Buttonhole Cutting Starting Unlocking Lever Roller 1904 with 251213
*251213	16357	Buttonhole Cutting Starting Unlocking Lever Roller Stud
*256004	-----	Driving Wheel (loose)
256206	16349	" " 256004 with 250398 and 256091
255559	16349	Driving Wheel with 200383C
256007	16349	" " Clutch Stud (made in .211,.212,.213,.214 and .215 in. diam.,state size required)
255560	16349	Driving Wheel Clutch Stud Retainer (back)
255561	16349	Driving Wheel Clutch Stud Retainer (front)
145E	16349	Driving Wheel Clutch Stud Retainer Screw
1528E	16349	Driving Wheel Clutch Stud Retainer Screw Nut
8873	16349	Driving Wheel Position Pin
200383C	16349	" " Set Screw
256224	16349	" " Stop Cam with 145E,1528E, 255560 and 255561





No.	Plate	Name
250491	16374	Loop Retainer Screw Washer (2)
250074	16374	" " Shim (.005 in. thick)
250449	16374	" " " (.010 in. thick)
250450	16374	" " " (.020 in. thick)
250537	16374	" " " (.030 in. thick)
256010	16349	" " Slide with 201943
250076	16349	" " " G1b (lower) (2)
250077	16349	" " " " (upper) (2)
190D	16349	" " " " Screw (6)
*250078	16349	" " " " Guide Extension
40025	16349	" " " " Position Pin (2)
127D	16349	Loop Retainer Slide Guide Extension Screw (2)
201896	16349	Loop Retainer Slide Roller
201943	16349	" " " " 201896 with 250429
250429	16349	Loop Retainer Slide Roller Stud
250080	16374	Looper (threaded)
253472	16374	" (non-threaded)
256053	16374	" Bracket with 735E
201722C	16374	" " Adjusting Nut
201722C	16374	" " " " Locking Nut
23421	16374	" " Dogging Hole Plug (leather)
250082	16375	Looper Bracket Frame Chip Guard
401D	16375	" " " " " Screw (3)
232555	16374	Looper Bracket Rotating Gear with 906E
250084	16374	" " " " " Position Pin
906E	16374	Looper Bracket Rotating Gear Set Screw
250085	16374	" Carrier
201433C	16374	" " Hinge Screw
250086	16374	" " Link
201099C	16374	" " " Hinge Screw (2)
256011	16374	" Driving Bar
201727C	16374	" " " Adjusting Nut (4)
256012	16374	" " " " " Washer (2)
256013	16375	Looper Driving Connection with 1120C
1120C	16375	" " " " Set Screw
250089	16375	" " " " Slide Rod
250090	16375	" " " " " Bushing (lower)
250091	16375	Looper Driving Connection Slide Rod Bushing (upper)
256015	16375	Looper Driving Crank
256016	16375	" " " " Bushing
200089E	16375	" " " " " Screw (2)
250094	16375	" " " " Gear with 735E
250095	16375	" " " " Position Pin
735E	16375	" " " " Set Screw
256017	16375	" " " " Link
199C	16375	" " " " Cap Screw
350278C	16375	" " " " Hinge Screw

No.	Plate	Name
250097	16375	Looper Driving Disc
256014	16375	" " " " Bearing
51311E	16375	" " " " " Screw (3)
350365C	16375	" " " " Cap Screw
*250098	16375	" " " " Gear
176D	16375	" " " " Screw (3)
201898	16349	" " " " Roller
201953	16349	" " " " 201898 with 201144E and 250099 (2)
201144E	16349	Looper Driving Roller Cap Screw
250099	16349	" " " " Stud
*256018	16375	" Frame
250462	16375	" " Chip Guard
232866	16375	" " Position Pin (2)
201082E	16375	" " Screw (3)
190D	16374	" Screw (2)
250101	16374	" " Washer (2)
232270	17404	" Thread and Cord Clamping Spring (long)
232271	17404	Looper Thread and Cord Clamping Spring (short)
200186B	17404	Looper Thread and Cord Clamping Spring Screw
232272	17404	Looper Thread and Cord Cutter
200186B	17404	" " " " " Screw
256651	16375	" " " " Controller
256055	16375	" " " " Bracket (adjustable)
1423F	16375	Looper Thread Controller Bracket (adjustable) Screw (2)
217D	16375	Looper Thread Controller Screw (2)
18859	16375	" " " " Guide
32012	16375	" " " " Tension Disc (2)
256213	16369	" " " " Releaser
253531	16369	" " " " " Lever
350224E	16369	" " " " " Hinge Screw
253532	16369	Looper Thread Tension Releaser Lever Rod
253535	16369	Looper Thread Tension Releaser Lever Rod Collar with 237F (2)
237F	16369	Looper Thread Tension Releaser Lever Rod Collar Set Screw
251170	16369	Looper Thread Tension Releaser Lever Spring
1550J	16369	Looper Thread Tension Releaser Nut
7071	16369	" " " " " Washer
253534	16365	Looper Thread Tension Releaser Operating Cam Block with 219F
219F	16365	Looper Thread Tension Releaser Operating Cam Block Set Screw
253533	16369	Looper Thread Tension Releaser Operating Lever with 237F
237F	16369	Looper Thread Tension Releaser Operating Lever Set Screw

No.	Plate	Name
232515	16375	Looper Thread Tension Spring
1043C	16375	" " " Stud
190D	16375	" " " Set Screw
1560C	16375	" " " Thumb Nut
232516	16480	" " " Tube (brass)
253152	16369	Lower Cord Controlling Spring
253153	16369	" " " Bracket
217E	16369	" " " " "
		Screw
236D	16369	Lower Cord Controlling Spring Screw
7071	16369	" " " " "
		Washer
256696	16480	Lower Cord Slacking Plate
256697	16480	" " " Extension
219E	16480	" " " " Screw
946D	16480	" " " Hinge Screw
1330F	16480	" " " Operating
		Screw Stud (long)
350060E	16480	Lower Cord Slacking Plate Operating
		Screw Stud (short)
226467	16480	Lower Cord Slacking Plate Tension
		Washer
256702	16480	Lower Cord Tension Cord Guide
203962	16480	" " " Disc (2)
256699	16480	" " " Releasing Plate
792D	16480	" " " " Screw
202075	16480	" " " Plunger
204271	16480	" " " Washer
232515	16480	" " " Spring
200633B	16480	" " " Stud
250206	16480	" " " Washer
201572H	16480	" " " Thumb Nut
232516	16480	" " " Tube (brass)
256700	16480	" " " Bracket (front)
251622	16480	" " " (rear)
176D	16480	" " " Screw (2)
250105	16348	Needle Bar Driving Crank with 200394C
		and two 200382C
40025	16348	Needle Bar Driving Crank Position Pin
200394C	16348	" " " Set Screw
256183	16370	" Driving Bar with 620C
232177	16370	" " " Bushing
232176	16370	" " " Collar with 200083E
200083E	16370	" " " Pinch Screw
232178	16348	" " " Link
232709	16348	" " " Hinge Stud with
		222598
222598	16348	Needle Driving Bar Link Hinge Stud Oil
		Packing (wick)
200382C	16348	Needle Driving Bar Link Hinge Stud Set
		Screw
250108	16348	Needle Driving Bar Swivel with 248821
248821	16348	" " " " Oil Packing
		(wick)
256057	16374	Needle Guard
230E	16374	" " Screw

No.	Plate	Name
230E	16374	Needle Guard Screw (support end)
256180	16370	" Holder with 906F
201482D	16370	" " Gauge Plate Adjusting Screw
250112	16370	" " " " Block
201670C	16370	" " " " Adjusting
		Nut
201670C	16370	Needle Holder Gauge Plate Block Ad-
		justing Nut Lock Nut
256066	16370	Needle Holder Gauge Plate Block Bushing
181D	16370	" " " " "
		Screw (3)
256059	16370	Needle Holder Gauge Plate Body
256094	16370	" " " Center Plate
		(for wide bight)
350379D	16370	Needle Holder Gauge Plate Clamping
		Screw
1550J	16370	Needle Holder Gauge Plate Clamping
		Screw Nut
200118F	16370	Needle Holder Gauge Plate Screw (2)
256061	16370	" " " Shim
256095	16370	" " " Side Plate
		(left)
256062	16370	Needle Holder Gauge Plate Side Plate
		(right)
256096	16370	Needle Holder Gauge Plate (for wide
		bight) complete, Nos. 256059, 256062,
		256094, 256095, two each 1550J, 256061
		and 350379D
208AL	16370	Needle Holder Screw (2)
256181	16370	" " Slide
256068	16370	" " " Lever with 256069
		and 351861
350147C	16370	Needle Holder Slide Lever Hinge Screw
351861	16370	" " " Roller
256069	16370	" " " " Stud
256203	16370	" " " Stud
350416E	16370	" " " " Screw
256204	16370	" " " " "
		Washer
256184	16370	Needle Holder Slide Stud
620C	16370	" " " Set Screw
250117	16370	" Rotating Gear with 735E
250118	16370	" " " Key
735E	16370	" " " Set Screw
906F	16370	" Set Screw
250119	16360	" Thread Guide
232792	16360	" " Leader
1664E	16360	" " " Nut
256200	16360	" " Pull-off (adjustable)
1550J	16360	" " " Lock Nut
256070	16360	" " Take-up with 201374E and
		201937
256072	16360	Needle Thread Take-up Bracket
256073	16360	" " " " Cover
1423F	16360	" " " " "
		Screw (4)

No.	Plate	Name
250399	16360	Needle Thread Take-up Bracket Position Pin (2)
161D	16360	Needle Thread Take-up Bracket Screw (3)
256652	16360	Needle Thread Take-up Cam with two 457AL
232721	16360	Needle Thread Take-up Cam Position Pin
457AL	16360	" " " " Set Screw
256075	16360	" " " " Shaft
232673	16360	" " " " Gear with two 448AL
40025	16360	Needle Thread Take-up Cam Shaft Gear Position Pin
448AL	16360	Needle Thread Take-up Cam Shaft Gear Set Screw
3502680	16360	Needle Thread Take-up Hinge Screw
201937	16360	" " " Roller 201873 with 201144E and 232686
201873	16360	Needle Thread Take-up Roller
201144E	16360	" " " " Cap Screw
232686	16360	" " " " Stud
201374E	16360	" " " " Cap Screw
256071	16360	Needle Thread Take-up Thread Guide
1423F	16360	" " " " " Screw (2)
32012	16360	Needle Thread Tension Disc (2)
991C	16362	" " " Releasing Adjusting Screw
1550J	16362	Needle Thread Tension Releasing Adjusting Screw Nut
256076	16360	Needle Thread Tension Releasing Arm
974F	16360	" " " " " Hinge Screw
256189	16362	Needle Thread Tension Releasing Block with 200E
200E	16362	Needle Thread Tension Releasing Block Set Screw
32572	16360	Needle Thread Tension Releasing Disc
256215	16362	" " " " Lever
255010	16362	" " " " " Bracket
2003460	16362	Needle Thread Tension Releasing Lever Bracket Adjusting Screw
145E	16362	Needle Thread Tension Releasing Lever Bracket Screw (lower)
200062H	16362	Needle Thread Tension Releasing Lever Bracket Screw (upper)
256216	16362	Needle Thread Tension Releasing Lever Extension
161D	16362	Needle Thread Tension Releasing Lever Extension Adjusting Screw
226163	16362	Needle Thread Tension Releasing Lever Extension Adjusting Screw Washer
176D	16362	Needle Thread Tension Releasing Lever Extension Screw

No.	Plate	Name
35D	16362	Needle Thread Tension Releasing Lever Hinge Screw
255011	16362	Needle Thread Tension Releasing Lever Spring
39633	16360	Needle Thread Tension Releasing Pin
256190	16362	" " " " Rod
256191	16362	" " " " " Bracket
190D	16362	" " " " " Screw (2)
256020	16362	Needle Thread Tension Releasing Rod Plate
208AL	16362	Needle Thread Tension Releasing Rod Screw
256185	16360	Needle Thread Tension Spring
350399C	16360	" " " Stud
15600	16360	" " " Thumb Nut
250140	16348	" Vibrating Adjusting Link
741C	16348	" " " " Hinge Screw
350076C	16348	Needle Vibrating Adjusting Stud
1671C	16348	" " " " Nut
39532	16348	" " " " Sleeve
255126	16348	" " Bell Crank
250142	16348	" " " " Connection
*38444	-----	" " " " End Bearing (back)
38446	16348	Needle Vibrating Bell Crank Connection End Bearing 38444 with 42524, 50016C and two 175E
50016C	16348	Needle Vibrating Bell Crank Connection End Bearing (back) Ball Screw Stud
1636E	16348	Needle Vibrating Bell Crank Connection End Bearing (back) Ball Screw Stud Nut
*42524	-----	Needle Vibrating Bell Crank Connection End Bearing (back) Cap
175E	16348	Needle Vibrating Bell Crank Connection End Bearing (back) Cap Screw
1698C	16348	Needle Vibrating Bell Crank Connection End Bearing (back) Check Nut
*38443	-----	Needle Vibrating Bell Crank Connection End Bearing (front)
250143	16348	Needle Vibrating Bell Crank Connection End Bearing 38443 with 42525, 201449C and two 175E
201449C	16348	Needle Vibrating Bell Crank Connection End Bearing (front) Ball Screw
*42525	-----	Needle Vibrating Bell Crank Connection End Bearing (front) Cap
175E	16348	Needle Vibrating Bell Crank Connection End Bearing (front) Cap Screw
1697C	16348	Needle Vibrating Bell Crank Connection End Bearing (front) Check Nut
350282C	16348	Needle Vibrating Bell Crank Hinge Screw
256202	16414	" " Lever with 202423

No.	Plate	Name
256079	16414	Needle Vibrating Lever Hinge Stud
443C	16414	" " " " " " Set Screw
202423	16414	Needle Vibrating Lever Oil Packing (wick)
256178	16370	Needle Vibrating Ring with 462AL
232421	16370	" " " Guide Stud
200083E	16370	" " " " " " Set Screw
232343	16370	Needle Vibrating Ring Position Pin
462AL	16370	" " " " " " Set Screw
256179	16370	" " " Rod
250146	16370	" " " Guide with 1230E
232343	16370	" " " " " " Position Pin
1230E	16370	" " " " " " Set Screw
256080	16370	" " " Switch
200308D	16370	" " " Hinge Screw
256126	17402	Pattern Wheel (adjustable), for button-holes from 7/8 to 1-1/8 in. (large and medium eye) with 256205 and two 205D
201668E	16480	Pattern Wheel Clamping Nut
256205	17402	" " " Position Plate
205D	17402	" " " " " " Screw
250148	16480	" " " " " " Stud
250372	17402	" " " Rapid Feed Trip Point
203E	17402	" " " " " " " " Screw
251494	17402	" " " Ring (adjustable)
251426	17402	" " " " 251494 with 252662, 252663, two each 211E and 250444
252662	17402	Pattern Wheel Ring Adjusting Segment (curved rise)
252663	17402	Pattern Wheel Ring Adjusting Segment (straight drop)
211E	17402	Pattern Wheel Ring Adjusting Segment Screw
250444	17402	Pattern Wheel Ring Adjusting Segment Screw Washer
391D	17402	Pattern Wheel Ring Screw
256127	17402	Pattern Wheel (adjustable), for button-holes from 7/8 to 1-1/8 in. (large and medium eye), complete, Nos. 251426, 256126, two each 203E, 250372 and three 391D
251298	16480	Pattern Wheel Shaft with 250148
250150	16480	" " " " Bevel Gear with 168D
40025	16480	Pattern Wheel Shaft Bevel Gear Position Pin
168D	16480	Pattern Wheel Shaft Bevel Gear Set Screw
250151	16480	Pattern Wheel Shaft Bushing (left)
145E	16480	" " " " " " " " Screw (2)
250152	16480	Pattern Wheel Shaft Bushing (right)

No.	Plate	Name
647E	16480	Pattern Wheel Shaft Bushing (right) Screw (2)
250154	16480	Rapid Feed Clutch Disengaging Lever (3)
253481	16480	Rapid Feed Clutch Disengaging Sleeve
250156	16480	" " " " Driving Disc
1230F	16480	" " " " " " " " Screw (4)
201897	16480	Rapid Feed Clutch Roller (3)
255095	16480	" " " " " " Carrier with 624E
40025	16480	Rapid Feed Clutch Roller Carrier Position Pin
624E	16480	Rapid Feed Clutch Roller Carrier Set Screw
250153	16480	Rapid Feed Clutch Roller Retainer (3)
208AL	16480	" " " " " " " " Screw (3)
255096	16480	Rapid Feed Clutch Roller Spring (3)
255097	16480	" " " " " " " " Guide Pin (3)
250158	16367	Rapid Feed Crank Shaft
250159	16367	" " " " " " Bushing (back)
250160	16367	" " " " " " " " Oil Tube (lower) (brass)
250495	16367	Rapid Feed Crank Shaft Bushing (back) Oil Tube (upper) (brass)
250161	16367	Rapid Feed Crank Shaft Bushing (front)
436C	16367	" " " " " " " " Set Screw (2)
232600	16367	Rapid Feed Crank Shaft Collar with two 453AL
453AL	16367	Rapid Feed Crank Shaft Collar Set Screw
250452	16367	Rapid Feed Crank Shaft Gear with 458C
232719	16367	" " " " " " " " Position Pin
458C	16367	Rapid Feed Crank Shaft Gear Set Screw
202260	16367	" " " " " " " " Oil Packing (wick) (2)
*256091	-----	Rapid Feed Driving Gear
250398	16349	" " " " " " Key
250164	16364	" " " " " " Gear Guard
641D	16364	" " " " " " " " Screw (2)
256223	16364	" " " " " " Intermediate Gear
201447C	16364	" " " " " " " " Screw Stud
1510E	16364	" " " " " " " " " " Nut
250167	16364	Rapid Feed Intermediate Gear Screw Stud Nut Washer
250405	16364	Rapid Feed Intermediate Gear Screw Stud Washer
253536	16367	Rapid Feed Pawl Bell Crank with 202299
11C	16367	" " " " " " " " Hinge Screw
202299	16367	" " " " " " " " Oil Packing (wick)

No.	Plate	Name
250171	16367	Rapid Feed Pawl Bell Crank Slide Block Section (2)
250172	16367	Rapid Feed Pawl Guide
181D	16367	" " " " Screw (C)
350260C	16367	" " " Hinge Screw
1655E	16367	" " " " Nut
252266	16372	" " Slide Bar
250174	16372	" " " " Bushing (left)
145E	16372	" " " " " "
		Screw (2)
250175	16372	Rapid Feed Slide Bar Bushing (right)
647E	16372	" " " " " "
		Screw (2)
252269	16372	Rapid Feed Slide Bar Collar with 448AL
40025	16372	" " " " " Position
		Pin
448AL	16372	Rapid Feed Slide Bar Collar Set Screw
256065	16372	" " " " Fork Connection with 889AL
253538	16372	Rapid Feed Slide Bar Fork Connection Extension Plate
176D	16372	Rapid Feed Slide Bar Fork Connection Extension Plate Screw (2)
350321E	16372	Rapid Feed Slide Bar Fork Connection Position Screw
889AL	16372	Rapid Feed Slide Bar Fork Connection Set Screw
350385C	16372	Rapid Feed Slide Bar Fork Connection Screw Stud
252306	16367	Rapid Feed Slide Bar Lock
252271	16367	" " " " " Block
232055	16367	" " " " " Position
		Pin
704E	16367	Rapid Feed Slide Bar Lock Block Screw
350262E	16367	" " " " " Hinge Screw
250409	16367	" " " " " Spring
1241E	16372	" " " " " Screw
		Eye
250194	16367	Rapid Feed Slide Bar Lock Trip
56C	16367	" " " " " Hinge
		Screw
252273	16372	Rapid Feed Slide Bar Spring
350293E	16372	" " " " " Cap Screw
252274	16372	" " " " " Washer
250180	16373	" " Starting Latch
199C	16373	" " " " Cap Screw
201446C	16373	" " " " Hinge Screw
		Stud
251626	16373	Rapid Feed Starting Lever with 1241E, 1454E, 200293D and 201957
255053	16373	Rapid Feed Starting Lever (operated by stop motion) with 704C, 1454E, 203213 and 255054
232541	16373	Rapid Feed Starting Lever Position Pin
201445E	16373	" " " " " Screw
201957	16373	" " " " " Roller

No.	Plate	Name
200293D	16373	Rapid Feed Starting Lever Roller Screw Stud
1454E	16373	Rapid Feed Starting Lever Set Screw
251499	16373	" " " " Shaft
251212	16373	" " " " Spring
1241E	16373	" " " " " Screw
		Eye
255054	16373	Rapid Feed Starting Lever Stud
704C	16373	" " " " " Set Screw
203213	16373	Rapid Feed Starting Lever Stud Spring
253537	16367	" " " " Pawl
256177	16367	" " " " Oiling Pad (felt)
181D	16367	Rapid Feed Starting Pawl Oiling Pad Screw
9525	16367	Rapid Feed Starting Pawl Oiling Pad Screw Washer
250188	16367	Rapid Feed Starting Pawl Spring
201454E	16414	" " " " " Screw
		Eye
1521E	16414	Rapid Feed Starting Pawl Spring Screw Eye Nut
250189	16373	Rapid Feed Starting Trip Lever with 1454E
251623	16373	Rapid Feed Starting Trip Lever Overthrow Stop
350229E	16373	Rapid Feed Starting Trip Lever Overthrow Stop Screw
7071	16373	Rapid Feed Starting Trip Lever Overthrow Stop Screw Washer
201445E	16373	Rapid Feed Starting Trip Lever Position Screw
201437C	16373	Rapid Feed Starting Trip Lever Screw Stud
1454E	16373	Rapid Feed Starting Trip Lever Set Screw
251628	16354	Rapid Feed Starting Tripping Point
203E	16354	" " " " " Screw (2)
256192	16362	Rapid Feed Trip Latch
256193	16362	" " " " Bracket with 200E
200E	16362	" " " " " Set Screw
256194	16362	" " " " Disengaging Plate
106D	16362	" " " " " Hinge Screw
100D	16362	Rapid Feed Trip Latch Hinge Screw
255157	16362	" " " " Spring
201160E	16362	" " " " Screw Eye
256195	16362	" " " Lever with two 200E
200E	16362	" " " " Set Screw
255123	16364	" " Tripping Pawl
1410D	16364	" " " " Cap Screw
255124	16364	" " " " Lever
250432	16364	" " " " Bracket
232154	16364	" " " " " Position Pin (2)

No.	Plate	Name
3501100	16364	Rapid Feed Tripping Pawl Lever Bracket Screw
14017	16364	Rapid Feed Tripping Pawl Lever Bracket Screw Washer
720	16364	Rapid Feed Tripping Pawl Lever Hinge Screw
255167	16364	Rapid Feed Tripping Pawl Spring
250195	16367	" " Worm with 453AL
25362	16367	" " " Ball
250196	16367	" " " Bearing Cup
225007	16367	" " " Retainer with eight 25362
232244	16367	Rapid Feed Worm Position Pin
453AL	16367	" " " Set Screw
250197	16480	" " " Wheel
250198	16480	" " " Collar with two 453AL
453AL	16480	Rapid Feed Worm Wheel Collar Set Screw
202244	16480	Rapid Feed Worm Wheel Oil Packing (wick)
255138	16358	Starting Bell Crank with 201160E
3502910	16358	" " " Hinge Screw
256196	16358	" and Retaining Latch with 201160E
255136	16358	" " " Crank with 209F and 1819
2269	16358	Starting and Retaining Latch Crank Position Pin
1819	16358	Starting and Retaining Latch Crank Roller and Stud
209F	16358	Starting and Retaining Latch Crank Set Screw
255157	16358	Starting and Retaining Latch Spring
201160E	16358	" " " " " Screw Eye (2)
255158	16353	Starting and Retaining Latch Tripping Block
235404	16353	Starting and Retaining Latch Tripping Block Pin
1830	16353	Starting and Retaining Latch Tripping Block Screw
251289	16358	Starting Rod
40043	16358	" " Collar with 209AL
251292	16358	" " " " 646F (2)
2273	16358	" " " Position Pin (2)
646F	16358	" " " Screw Stud
209AL	16358	" " " Set Screw
251290	16358	" " Guide Plate
200058E	16358	" " " Screw
251291	16359	" " Lock
740	16359	" " " Hinge Screw
232200	16359	" " " Spring
1241E	16359	" " " Screw Eye
251293	16480	" " " Tripping Point
219E	16480	" " " " Screw

No.	Plate	Name
251294	16358	Starting Rod Safety Lock
226467	16358	" " " Friction Washer
200265E	16358	Starting Rod Safety Lock Hinge Screw
251295	16358	" " " Stop Pin
251296	16358	" " Spring
40045	16358	" " Stop Washer (rawhide)
250210	16414	Stitch Regulating Gear, 22 teeth
250211	16414	" " " 26 teeth
250212	16414	" " " 28 teeth
250598	16414	" " " 30 teeth
250213	16414	" " " 33 teeth
Note: No. 250213, Stitch Regulating Gear, is furnished with this machine unless otherwise specified on order.		
250214	16414	Stitch Regulating Gear, 34 teeth
250415	16414	" " " 38 teeth
250478	16414	" " " 42 teeth
201660C	16414	" " " Lock Nut
256081	16355	" Rotating Lever (lower) with 458C
2014420	16355	Stitch Rotating Lever (lower) Posi- tion Screw
351862	16355	Stitch Rotating Lever (lower) Roller
3503780	16355	" " " " " Screw Stud
201666E	16355	Stitch Rotating Lever (lower) Roller Screw Stud Nut
458C	16355	Stitch Rotating Lever (lower) Set Screw
232591	17408	Stitch Rotating Lever (upper) with 448AL
40025	17408	Stitch Rotating Lever (upper) Posi- tion Pin
448AL	17408	Stitch Rotating Lever (upper) Set Screw
232807	16355	Stitch Rotating Lever Connection (front section) (lower)
232593	17408	Stitch Rotating Lever Connection (front section) (upper)
232808	16355	Stitch Rotating Lever Connection (rear section) (lower)
232592	17408	Stitch Rotating Lever Connection (rear section) (upper)
58F	16355	Stitch Rotating Lever Connection Hinge Screw (4)
172D	16355	Stitch Rotating Lever Connection Screw (lower)
39504	16355	Stitch Rotating Lever Connection Screw Washer (lower)
193D	17408	Stitch Rotating Lever Connection Screw (upper)
232717	17408	Stitch Rotating Lever Connection Screw Washer (upper)
232764	16355	Stitch Rotating Lever Connection (lower) complete, Nos. 232807, 232808, two each 172D and 39504

No.	Plate	Name
250400	17408	Stitch Rotating Lever Connection (upper) complete, Nos. 232592, 232593, 232717 and two 193D
250394	16355	Stitch Rotating Lever Rock Shaft
250216	16355	" " Sector (lower)
232597	16355	" " " " Bracket
690D	16355	" " " " " Screw
226163	16355	" " " " " " Washer
350087C	16355	Stitch Rotating Sector (lower) Hinge Screw
250217	17408	Stitch Rotating Sector (upper)
232599	17408	" " " " " Bracket
201395D	17408	" " " " " " Screw (2)
251026	16363	Stop Lever with 200352C
232262	16363	" " " Bracket
350263E	16363	" " " " Screw
250218	16363	" " Crank with 453AL
40025	16363	" " " " Position Pin
453AL	16363	" " " " " Set Screw
232263	16363	" " Friction Pad (rawhide)
200110D	16363	" " " " " Screw (?)
255169	16363	" " Interlocking Slide
201084C	16363	" " " " " Adjusting Screw
201628E	16363	Stop Lever Interlocking Slide Adjust- ing Screw Nut
1178D	16363	Stop Lever Interlocking Slide Screw
232265	16363	" " " " " " Washer
250416	16363	Stop Lever Interlocking Slide Spring
250219	16365	" " " Link
250220	16365	" " " " Connection
250221	16365	" " " " " Locking Pin
250222	16365	" " " " " " Spring
217D	16365	Stop Lever Link Connection Locking Pin Spring Screw (2)
350225D	16365	Stop Lever Link Connection Screw (back)
807D	16365	" " " " " " (front)
64C	16365	" " " " " Hinge Screw
250223	16365	" " " " " Operating Lever
11C	16365	" " " " " " Hinge Screw
250224	16365	" " " " " Plate
157D	16365	" " " " " " Screw
39541	16365	" " " " " " Washer
201442C	16363	" " " " " Position Screw
200352C	16363	" " " " " Set Screw
250225	16363	" " " " " Shaft
256217	16363	" " " " " Spring
201110D	16363	" " " " " " Screw
251368	16374	Throat Plate
250447	16374	" " " " " Adjusting Block
176D	16374	" " " " " " Screw

No.	Plate	Name
250560	16374	Throat Plate Screw Washer
*256083	16414	Vertical Shaft with two each 204648 and 250589
256201	16414	Vertical Shaft 256083 with 232719 and 255522
255522	16414	Vertical Shaft Bevel Gear (lower) with two 453AL
232719	16414	Vertical Shaft Bevel Gear (lower) Position Pin
256084	16414	Vertical Shaft Bevel Gear (upper) with two 453AL
40025	16414	Vertical Shaft Bevel Gear (upper) Posi- tion Pin (2)
453AL	16414	Vertical Shaft Bevel Gear Set Screw
250396	16414	" " " " " Bushing (lower)
350455E	16414	" " " " " " Screw (2)
201730E	16414	" " " " " " " Nut (2)
256085	16414	Vertical Shaft Bushing (upper)
575C	16414	" " " " " " Set Screw
253717	17403	Work Clamp Arm (left)
253718	17404	" " " " " (right)
250525	17403	" " " " " Bracket (left)
255057	17403	" " " " " " 250525 with 250268, 250551, 250552, 253666 and three 2269
250526	17404	Work Clamp Arm Bracket (right)
255058	17404	" " " " " " 250526 with 250266, 250528, 250529, 253666 and three 2269
201129D	17403	Work Clamp Arm Bracket Screw (back)
253666	17403	" " " " " Cam with 209F
2269	17403	" " " " " Position Pin
209F	17403	" " " " " Set Screw
250552	17403	" " " " " Shaft (left)
250528	17404	" " " " " " (right)
201237E	17403	" " " " " Stop Screw
201537H	17403	" " " " " " " Nut
256214	17403	" " " " " Hinge Block
350123E	17403	" " " " " " Hinge Screw
200051E	17403	" " " " " Screw
251277	17403	" " " " " Washer
13218	17403	" " " " " Spring
350136E	17403	" " " " " " Screw
256086	17403	" " " " " Base (left) with 251619
256690	17403	" " " " " " 256086 with 194C, 217E, 662D, 991E, 1423F, 1443F, 1550J, 7071, 10249, 13218, 200097C, 201237E, 201537H, 250241, 250418, 250419, 251277, 251518, 251519, 251618, 252202, 253717, 253723, 253724, 255016, 255057, 255162, 255164, 256214, 256692, 256694, 350080D, 350136E, two each 207F, 200051E, 201129D, 350123E, three 228026 and nine 934H





No.	Plate	Name
201530E	16371	Work Clamp Carrier Side Throw Lever Slide Block Screw Stud Nut
256023	16379	Work Clamp Carrier Slide (left) with 200119D
256024	16379	Work Clamp Carrier Slide (right) with 200119D
255509	16379	Work Clamp Carrier Slide Gib (left, back)
255510	16379	Work Clamp Carrier Slide Gib (left, front)
255511	16379	Work Clamp Carrier Slide Gib (right, back)
255512	16379	Work Clamp Carrier Slide Gib (right, front)
50168E	16379	Work Clamp Carrier Slide Gib Screw
256025	16379	" " " " Stay Plate
256026	16379	" " " " " " Lock Washer
350369E	16379	Work Clamp Carrier Slide Stay Plate Lock Washer Screw
250597	16379	Work Clamp Carrier Slide Stay Plate Position Pin (2)
231C	16379	Work Clamp Carrier Slide Stay Plate Screw (5)
256694	17403	Work Clamp Check (left)
256695	17404	" " " (right)
253723	17403	" " " Hinge Pin
253724	17403	" " " Spring
662D	17403	" " " " Screw
251358	16357	" " Closing Lever
250266	17404	" " " " (hand) with 209F
2269	17404	Work Clamp Closing Lever (hand) Position Pin
209F	17404	Work Clamp Closing Lever (hand) Set Screw
252196	16357	Work Clamp Closing Lever Adjusting Arm with 201531H, 201948 and 228026
1178D	16357	Work Clamp Closing Lever Adjusting Arm Screw
14017	16357	Work Clamp Closing Lever Adjusting Arm Screw Washer
255021	16353	Work Clamp Closing Lever Cam Groove Protector
210750	16353	Work Clamp Closing Lever Cam Groove Protector Position Pin
172D	16353	Work Clamp Closing Lever Cam Groove Protector Screw
255153	16353	Work Clamp Closing Lever Disengaging Block
183C	16353	Work Clamp Closing Lever Disengaging Block Screw
250406	16353	Work Clamp Closing Lever Disengaging Block Shim (.005 in. thick)
250407	16353	Work Clamp Closing Lever Disengaging Block Shim (.010 in. thick)

No.	Plate	Name
256197	16357	Work Clamp Closing Lever Engaging Stud
255141	16358	" " " " " "
255161	16358	Latch Work Clamp Closing Lever Engaging Stud Latch Spring
1241E	16358	Work Clamp Closing Lever Engaging Stud Latch Spring Screw Eye
256199	16348	Work Clamp Closing Lever Engaging Stud Lock Plate
200076D	16348	Work Clamp Closing Lever Engaging Stud Lock Plate Screw
7071	16348	Work Clamp Closing Lever Engaging Stud Lock Plate Screw Washer
256198	16357	Work Clamp Closing Lever Engaging Stud Sleeve
232105	16357	Work Clamp Closing Lever Engaging Stud Sleeve Pin
255143	16357	Work Clamp Closing Lever Engaging Stud Spring
256209	16357	Work Clamp Closing Lever Engaging Stud 256197 with 232105 and 256198
255144	16353	Work Clamp Closing Lever Engaging Stud Wear Plate
210750	16353	Work Clamp Closing Lever Engaging Stud Wear Plate Position Pin
183C	16353	Work Clamp Closing Lever Engaging Stud Wear Plate Screw
350407C	16357	Work Clamp Closing Lever Hinge Screw
201729C	16357	" " " " " " Nut
201947	16357	" " " " " Roller
201948	16357	" " " " " " 201947 with 350156E
350156E	16357	Work Clamp Closing Lever Roller Screw Stud
201531H	16357	Work Clamp Closing Lever Roller Screw Stud Nut
228026	16357	Work Clamp Closing Lever Roller Screw Stud Washer
991C	16358	Work Clamp Closing Lever Stop Screw
252199	17408	" " " " Safety Bracket with two 453AL
453AL	17408	Work Clamp Closing Safety Bracket Set Screw
250268	17403	Work Clamp Connection Lever (left) with 209F
250529	17404	Work Clamp Connection Lever (right) with 209F
2269	17403	Work Clamp Connection Lever Position Pin
209F	17403	Work Clamp Connection Lever Set Screw
251191	17408	" " " " " Opening Bell Crank
659D	17408	" " " " " Hinge Screw
232200	17408	" " " " " Spring
1241E	17408	" " " " " " Screw
250548	17408	Eye Work Clamp Opening Latch

No.	Plate	Name
90D	17408	Work Clamp Opening Latch Hinge Screw
251193	17408	" " " " Spring
207F	17408	" " " " " Screw
7071	17408	" " " " " Washer
200F	17408	Work Clamp Opening Latch Stop Screw
250549	16362	" " " " Operating Point
252105	16362	" " " " " Pin
704E	16362	" " " " " Screw
250551	17403	" " " " Lever with 1253C
251519	17403	" " " " Latch
251520	17408	" " " " " Releasing Block with 200E
200E	17408	Work Clamp Opening Lever Latch Releasing Block Set Screw
10249	17403	Work Clamp Opening Lever Latch Spring
217E	17403	" " " " " " Screw
7071	17403	Work Clamp Opening Lever Latch Spring Screw Washer
194C	17403	Work Clamp Opening Lever Latch Stop Screw
2269	17403	Work Clamp Opening Lever Position Pin
1253C	17403	" " " " " Set Screw
255077	17408	" " " " Rod
255078	17408	" " " " Connection
907D	17408	" " " " " Hinge Screw
250274	17408	Work Clamp Opening Rod Guide with 808D
808D	17408	Work Clamp Opening Rod Guide Pinch Screw
1662C	17408	Work Clamp Opening Rod Nut
250275	17404	" " " " Stop (adjustable)
207F	17404	" " " " " Screw
256030	16378	" " " " Spreader (front)
256031	16378	" " " " " Adjusting Block (left)
256032	16378	Work Clamp Spreader (front) Adjusting Block (right)
256033	16378	Work Clamp Spreader (front) Adjusting Block Lever (left)
256034	16378	Work Clamp Spreader (front) Adjusting Block Lever (right)
201463D	16378	Work Clamp Spreader (front) Adjusting Block Lever Hinge Screw (2)
203E	16378	Work Clamp Spreader (front) Adjusting Block Screw (2)
7071	16378	Work Clamp Spreader (front) Adjusting Block Screw Washer (2)
251202	16378	Work Clamp Spreader (front) Adjusting Block Lever Spring
256035	16378	Work Clamp Spreader (front) Connection
99C	16378	" " " " " Hinge Screw (2)
256036	16378	Work Clamp Spreader (front) Lever

No.	Plate	Name
940F	16378	Work Clamp Spreader (front) Lever Hinge Screw
256037	16378	Work Clamp Spreader (front) Strap
190D	16378	" " " " " Screw (2)
250276	16378	Work Clamp Spreader (left)
350140D	16378	" " " " " Screw
256027	16378	" " " " (right)
201463D	16378	" " " " " Screw
991E	17403	" " " " Adjusting Screw
252202	17403	" " " " " Bracket
207F	17403	Work Clamp Spreader Adjusting Screw Bracket Screw
1550J	17403	Work Clamp Spreader Adjusting Screw Nut
256028	16378	Work Clamp Spreader Base Plate
256231	16378	" " " " " Retaining Block (2)
201036E	16378	Work Clamp Spreader Base Plate Retaining Block Screw (4)
50058D	16378	Work Clamp Spreader Base Plate Screw (2)
251208	16354	Work Clamp Spreader Cam
203E	16354	" " " " " Screw
253505	16378	" " " " Connection
253506	16378	" " " " " Bracket with 201981
1981	16378	Work Clamp Spreader Connection Bracket Roller
201981	16378	Work Clamp Spreader Connection Bracket Roller 1981 with 253524
253524	16378	Work Clamp Spreader Connection Bracket Roller Stud
208AL	16378	Work Clamp Spreader Connection Bracket Screw (2)
201453C	16378	Work Clamp Spreader Connection Hinge Screw
250281	16378	Work Clamp Spreader Connection Link (left)
253507	16378	Work Clamp Spreader Connection Link (right)
201452E	16378	Work Clamp Spreader Connection Link Hinge Screw (2)
251209	16359	Work Clamp Spreader Lever with 1823
251210	16359	" " " " " Adjusting Plate
1324E	16359	Work Clamp Spreader Lever Adjusting Plate Screw
228026	16359	Work Clamp Spreader Lever Adjusting Plate Screw Washer
1253C	16359	Work Clamp Spreader Lever Adjusting Plate Steady Screw
251211	16359	Work Clamp Spreader Lever Bracket
171E	16359	" " " " " Screw (2)

No.	Plate	Name
76D	16359	Work Clamp Spreader Lever Hinge Screw
1823	16359	" " " " Roller and Stud
250409	16359	Work Clamp Spreader Lever Spring
1241E	16414	" " " " " Screw
256038	16378	Work Clamp Spreader Operating Fork Lever
256039	16378	Work Clamp Spreader Operating Fork Lever Block
208AL	16378	Work Clamp Spreader Operating Fork Lever Block Screw (2)
212D	16378	Work Clamp Spreader Operating Fork Lever Cap Screw
350138E	16378	Work Clamp Spreader Operating Fork Lever Hinge Screw
255081	16378	Work Clamp Spreader Operating Fork Lever Stop Plate
203E	16378	Work Clamp Spreader Operating Fork Lever Stop Plate Screw
7071	16378	Work Clamp Spreader Operating Fork Lever Stop Plate Screw Washer
250287	17408	Work Clamp Spreader Releaser
203C	17408	" " " " Screw
201314C	16378	" " " " Screw Stud (2)
251618	17403	" " Spring
255016	17403	" " " " Wear Plate
200051E	17403	" " " " " Screw
228026	17403	" " " " " Washer
255164	17403	Work Position Gauge (left)
255165	17404	" " " " (right)
1423F	17403	" " " " Screw
228026	17403	" " " " Washer

## ACCESSORIES

No.	Plate	Name
256106	17401	Buttonhole Cutting Block (steel), 1 in. Eye or Taper Bar
256656	17401	Buttonhole Cutting Knife (.140 x .200 in. elliptical eye)
250212	16414	Stitch Regulating Gear, 28 teeth
142 x 5	-----	Needles, six, size 17
250004	16382	Bed Cushion (leather) (back)
250006	16382	" " " " (front)
250007	16382	" " (fibre) (inside)
250008	16382	" " " " (outside)
158E	16382	" " Screw
250018	16382	" Support (left) with 250004, 250006, 250007 and six 158E
250019	16382	Red Support (right) with 250004, 250006, 250008, two 250007 and six 158E
250288	16383	Drip Pan
10147	16384	Gimp Bracket
251567	16384	" " 10147 with 487D, 8064, 10111, 10112 and two wood screws 1 in., No. 10, R.H.B.
487D	16384	Gimp Spool Pin
8064	16384	" " " " Coiler
8032	16384	" " " " 8064 with 759F
759F	16384	" " " " Thumb Screw
10111	16384	" " " " Cone
10112	16384	" " " " Spring
251566	16384	" Tube
250408	16382	Machine Rest (high) with 232982 and two wood screws 1 in., No. 12
234581	16382	Machine Rest Cushion (leather)
230346	16382	Oiler (copper plated) with 180347
180347	*16382	" Spout (8-1/2 in. long)
11831	16383	Screw Driver (5 in. blade) (machine, large)
255542	16383	Screw Driver (8 in. blade)
*250521	-----	" " Blade
*225483	-----	" " Handle
250522	16383	Screw Driver complete, (for needle set screw), Nos. 225483 and 250521
250543	16783	Stitch Regulating Gear Holder
232490	16382	Threader Wire (large)
255354	16382	" " (small)
255513	16382	Tweezers
23535	16383	Wrench, for 1671, 1697 and 1698
232903	16383	" " 201362 and 201668
232935	16383	" " 201670 and 201722 (2)
255539	16383	" " 1550 and 350136
250289	16382	" " 350111
255533	16382	" " 201442 and 201445
255540	16383	" " 201524 and 201643
255541	16383	" " 201628 and 201660
256019	16383	" " 201726 to 201728 (2)
		Wood Screw 1-1/4 in. No. 12 (4)

## THREAD UNWINDER

## FOR THREE SPOOLS

No.	Plate	Name
259370	16385	Spool Pin
225375	16385	" " (wood)
259378	16385	" " Arm with 217E and 259379
232896	16385	" " " Bracket with two 448AL
448AL	16385	" " " " Set Screw
448AL	16385	" " " " Set Screw
259371	16385	" " " Cap (Bakelite)
1010F	16385	" " " Hinge Screw
259379	16385	" " " Retaining Spring
217E	16385	" " " " Screw
259372	16385	" " " Washer
259373	16385	Spool Pin complete, Nos. 1010F and 259370 to 259372
259374	16385	Spool Rest (for one spool) (flat) with 201018C
259375	16385	Spool Rest (for two spools) (flat) with 201018C
150203	16385	Spool Rest Cushion (felt)
250453	16385	" " " Rod (lower)
225388	16385	" " " " (upper)
250454	16385	" " " Coupling with two 456C
456C	16385	" " " " Set Screw
200383C	16385	" " " " Set Screw
201018C	16385	" " " " Set Screw
259658	16385	" " Stand with 200383C
225390	16385	Thread Cone Holder
250472	16385	" " Cop Holder
225391	16385	" " Guide
201696H	16385	" " Lock Nut
225326	16385	" " Position Cup
350192J	16385	" " Screw Stud
225393	16385	" " " " Washer
200164B	16385	" " Stud Set Screw
225376	16385	Thread Unwinder complete, Nos. 200164B, 201696H, 225326, 225388, 225393, 250453, 250454, 250472, 259374, 259375, 259658, 350192J, three each 150203, 225375, 225390, 225391, 232896, 259373, 259378 and three wood screws 7/8 in., No. 12

## DRIVING EQUIPMENT

228628	16388	Belt, size 5/16 in. diam., length 85 in., with two 25029
228629	16391	Belt, size 3/8 in. diam., length 57 in., with 25030
228630	16395	Belt, size 3/8 in. diam., length 120 in., with two 25030
228631	16388	Belt, size 3/8 in. diam., length 133 in., with two 25030

No.	Plate	Name
228608	16389	Belt Guard, for Bridgeport Old Style Power Table (trough) and Singer Universal Power Table (trough), with two wood screws 3/4 in., No. 10
218610	16390	Belt Guard, for El'port Old Style Power Table (trough), with two wood screws 3/4 in., No. 10
25029	16388	Belt Hook
25030	16388	" "
228565	16387	" " Shifter
228566	16387	" " Lever with 200526C
228567	16387	" " " Hinge Stud
200335C	16387	" " " " " Set Screw
228632	16387	" " Locking Spring
200526C	16387	" " Set Screw
228618	16388	Buttonhole Cutter Driving Pulley, 4-3/8 in. diam., with 200542C and 200347C
228619	16386	Buttonhole Cutter Driving Pulley Driving Pinion, 16 teeth, with 454C
2117E	16386	Buttonhole Cutter Driving Pulley Driving Pinion Pin
454C	16386	Buttonhole Cutter Driving Pulley Driving Pinion Set Screw
200342C	16386	Buttonhole Cutter Driving Pulley Position Screw
200347C	16386	Buttonhole Cutter Driving Pulley Set Screw
228579	16386	Buttonhole Cutter Driving Pulley Shaft
228580	16386	" " " " " " Bushing with 224392
224392	16386	Buttonhole Cutter Driving Pulley Shaft Bushing Oil Packing (wick)
350028C	16386	Buttonhole Cutter Driving Pulley Shaft Bushing Set Screw
228620	16386	Buttonhole Cutter Driving Pulley Shaft Gear, 48 teeth, with 448AL
2117E	16386	Buttonhole Cutter Driving Pulley Shaft Gear Pin
448AL	16386	Buttonhole Cutter Driving Pulley Shaft Gear Set Screw
228593	16387	Counter Shaft (hollow) with 200370C and 228595
210833	16387	Counter Shaft Collar with two 200383C
200383C	16387	" " " " Set Screw
228590	16387	" " " Driving Pulley (loose), 5 in. diameter
228591	16387	Counter Shaft Driving Pulley (tight), 5 in. diam., with 200352C and 200363C
200352C	16387	Counter Shaft Driving Pulley Position Screw
200363C	16387	Counter Shaft Driving Pulley Set Screw
228601	16387	" " " Hanger with 200335C and 202244
228588	16387	Counter Shaft Hanger Belt Guard (double)

## ACCESSORIES

No.	Plate	Name
200002E	16387	Counter Shaft Hanger Belt Guard Screw
202244	16387	" " " Oil Packing (wick)
51080R	16387	" " " Screw
51046R	16387	" " " " Washer
41125R	16387	" " " " " Washer
228602	16387	" " " Oil Cup
228594	16387	" " " Packing Wick
228595	16387	" " " " " Wire with 228594
200370C	16387	Counter Shaft Oil Stop Screw
228592	16387	" " Pulley, 5-7/8 in. diam., with 200352C and 200363C
200352C	16387	Counter Shaft Pulley Position Screw
200363C	16387	" " " Set Screw
228596	16387	Counter Shaft Hanger complete, for Old Style Power Table and Singer Universal Power Table, Nos. 51080R, 200002E, 210853, 228594, 228597, 228588, 228590 to 228593, 228601, 228602, 228632, two 51046R and three 41125R
228573	16386	Driving Attachment Belt Guard with 228607
228607	16386	Driving Attachment Belt Guard Drain Valve
50075J	16386	Driving Attachment Belt Guard Thumb Screw
228574	16386	Driving Attachment Bracket with 11119, 228573 and four 50075C
228575	16386	Driving Attachment Bracket Oil Cup
15783	16386	" " " " Tube
11119	16386	" " " " " "
52045	16386	Driving Attachment Bracket Oil Tube Packing (cotton)
51046R	16386	Driving Attachment Bracket Screw
41125R	16386	" " " " Washer
228624	16386	" Pulley, 6 in. diam., with 200374C and 200396C
200396C	16386	Driving Pulley Position Screw
200374C	16386	" " " Set Screw
228625	16386	" " " Shaft
228571	16386	" " " Bushing with 202260
202260	16386	" " " " Oil Packing (wick)
350028C	16386	Driving Pulley Shaft Bushing Set Screw
228626	16386	" " " " Collar with two 200378C
200378C	16386	Driving Pulley Shaft Collar Set Screw
228621	16386	Machine Driving Pulley (loose), 3-1/8 in. diameter
228622	16386	Machine Driving Pulley Clutch
214179	16386	" " " " Roller
214181	16386	" " " " " "
214180	16386	Machine Driving Pulley Clutch Roller Spring Plunger

## ACCESSORIES

No.	Plate	Name
200050C	16386	Machine Driving Pulley Clutch Screw
228623	16386	" " " " Collar with two 200364C
200364C	16386	Machine Driving Pulley Collar Set Screw
228627	16386	Driving Attachment complete, Nos. 50075J, 228573, 228574, 228579, 228580, 228619 to 228626, two each 2117F, 228571, three each 41125R, 51046R, 200050C and 214179 to 214181
228578	16386	Driving Attachment and Idler complete, Nos. 228587 and 228627
234342	16388	Front Plank Extension (back) with two wood screws, 1-1/2 in., No. 10, (for flat table)
234349	16395	Front Plank Extension (back) with four screws 1-1/2 in., No. 10, for Singer Universal Safety Power Table (flat)
234350	16396	Front Plank Extension (back) with six wood screws 1-1/2 in., No. 10, for Singer Universal Safety Power Table (trough)
234344	16388	Front Plank Extension (front) with two wood screws 1-1/4 in., No. 12 and three wood screws 1-3/4 in., No. 12
228581	16386	Idler Pulley
228643	16386	" " Belt Guard with 200526C
200526C	16386	" " " " Set Screw
228644	16386	" " Bracket with 200526C
200019E	16386	" " " " Screw
228584	16386	" " Shaft with 228586
228602	16386	" " " Oil Cup
228585	16386	" " " " Wick
228586	16386	" " " " " Wire with 228585
200526C	16386	Idler Pulley Shaft Set Screw
228587	16386	Idler complete, Nos. 228584, 228602, 228644, two each 228581, 228643 and three 200019E
150611	16388	Shaft Pulley (sectional, grooved) pressed steel, flat type, rolled edge, 8 in. diam., 1-3/16 in. bore with two 731N
731N	16388	Shaft Pulley Clamping Screw
150027	16394	Starting Device Bracket with two wood screws 1-1/4 in., No. 14
150028	16394	Starting Device Handle
27638	16394	" " " " Spring
23250	16394	" " " " Washer
126888	16394	" " " " Collar with 217F
217F	16394	Starting Device Handle Spring Collar Set Screw
126955	16394	Starting Device Rod
126888	16394	" " " " Collar with 217F
217F	16394	" " " " Set Screw

## ACCESSORIES

No.	Plate	Name
126890	16394	Starting Device complete, Nos. 27539, 126955, 150027, 150028, two 23450 and three 126888
150183	16394	Table Belt Guide Bracket with 795C
50285R	16394	" " " " Bolt
126841	16394	" " " " Clamping Plate
126846	16394	Table Belt Guide Bracket Bolt Nut Lock Washer
12620	16394	Table Belt Guide Bracket Bolt Washer
126750	16394	" " " Pulley with 126752
126868	16394	" " " Shaft
126752	16394	" " " Bushing
126869	16394	" " " Collar with 1448AL
1448AL	16394	Table Belt Guide Pulley Shaft Collar Set Screw
795C	16394	Table Belt Guide Pulley Shaft Set Screw
150184	16394	Table Belt Guide Pulley Shaft Support Bracket with two wood screws 1 in. No. 12, F.H.
126870	16394	Table Belt Guide complete, Nos. 12620, 50285R, 126841, 126846, 126868, 150183, 150184, two each 126750 and 126869
126715	16395	Transmitter Pulley (sectional, grooved) sheet metal, 5-1/4 in. diameter
228599	16388	Driving Equipment complete, for Old Style or Singer Universal Power Table (flat) Nos. 150611, 228578, 228596, 228628, 228631, 234342, 234344 and blue print template
228605	16391	Driving Equipment complete, for Individual Motor Table, Nos. 228627 to 228629
228609	16389	Driving Equipment complete, for Bridgeport Old Style Power Table (trough) or Singer Universal Power Table (trough) Nos. 150611, 228578, 228596, 228608, 228628, 228631, 234344 and blue print template
228611	16390	Driving Equipment complete, for E'port Old Style Power Table (trough), Nos. 150611, 228578, 228596, 228610, 228628, 228631, 234344 and blue print template
228612	16392	Driving Equipment complete, for Power Table (flat) with Electric Transmitter Motor, Nos. 228627 to 228629, 234342, 234344 and blue print template
228613	16393	Driving Equipment complete, for E'port Power Table (trough) with Electric Transmitter Motor, Nos. 228610, 228627 to 228629, 234344 and blue print template

## ACCESSORIES

No.	Plate	Name
228645	16395	Driving Equipment complete, for Singer Universal Safety Power Table (flat) Nos. 126715, 126870, 126890, 228627, 228628, 228630, 234349 and blue print template
228646	16396	Driving Equipment complete, for Singer Universal Safety Power Table (trough), Nos. 126715, 126870, 126890, 228627, 228628, 228630, 234350 and blue print template

## BUTTONHOLE CUTTING BLOCKS

256175	17401	Buttonhole Cutting Block (steel), 5/8 in. (eye or taper bar)
256104	17401	Buttonhole Cutting Block (steel), 3/4 in. (eye or taper bar)
256105	17401	Buttonhole Cutting Block (steel), 7/8 in. (eye or taper bar)
256106	17401	Buttonhole Cutting Block (steel), 1 in. (eye or taper bar)
256107	17401	Buttonhole Cutting Block (steel), 1-1/8 in. (eye or taper bar)
256108	17401	Buttonhole Cutting Block (steel), 1-1/4 in. (eye or taper bar)
256109	17401	Buttonhole Cutting Block (steel), 1-3/8 in. (eye or taper bar)
256110	17401	Buttonhole Cutting Block (steel), 1-1/2 in. (eye or taper bar)
256111	17401	Buttonhole Cutting Block (steel), 1-5/8 in. (eye or taper bar)
256112	17401	Buttonhole Cutting Block (steel), 5/8 in. (straight)
256113	17401	Buttonhole Cutting Block (steel), 3/4 in. (straight)
256176	17401	Buttonhole Cutting Block (steel), 7/8 in. (straight)
256114	17401	Buttonhole Cutting Block (steel), 1 in. (straight)
256115	17401	Buttonhole Cutting Block (steel), 1-1/8 in. (straight)
256116	17401	Buttonhole Cutting Block (steel), 1-1/4 in. (straight)
256117	17401	Buttonhole Cutting Block (steel), 1-3/8 in. (straight)
256118	17401	Buttonhole Cutting Block (steel), 1-1/2 in. (straight)
256119	17401	Buttonhole Cutting Block (steel), 1-5/8 in. (straight)

## BUTTONHOLE CUTTING KNIVES

No.	Plate	Name
256653	17401	Buttonhole Cutting Knife (.126x.200 eye)
256654	17401	Buttonhole Cutting Knife (.135x.228 eye)
256655	17401	Buttonhole Cutting Knife (.140x.228 in.elliptical eye)
256656	17401	Buttonhole Cutting Knife (.140x.260 in.elliptical eye)
256657	17401	Buttonhole Cutting Knife (straight)

## PATTERN WHEELS

### FOR MAKING EYELET END BUTTONHOLES

#### WITH LARGE EYE (Adjustable)

256125	17402	Pattern Wheel, 5/8 to 7/8 in., complete, Nos. 252292, 256124, two each 203E, 250372 and three 391D
256133	17405	Pattern Wheel, 5/8 to 7/8 in., complete, Nos. 252292, 256132, three each 203E, 391D and 250372
256127	17402	Pattern Wheel, 7/8 to 1-1/8 in., complete, Nos. 251426, 256126, two each 203E, 250372 and three 391D
256135	17405	Pattern Wheel, 7/8 to 1-1/8 in., complete, Nos. 251426, 256134, three each 203E, 391D and 250372
256129	17402	Pattern Wheel, 1-1/8 to 1-3/8 in., complete, Nos. 251428, 256128, two each 203E, 250372 and three 391D
256137	17405	Pattern Wheel, 1-1/8 to 1-3/8 in., complete, Nos. 251428, 256136, three each 203E, 391D and 250372
256131	17402	Pattern Wheel, 1-3/8 to 1-5/8 in., complete, Nos. 256130, 256173, two each 203E, 250372 and three 391D
256139	17405	Pattern Wheel, 1-3/8 to 1-5/8 in., complete, Nos. 256138, 256173, three each 203E, 391D and 250372

### FOR MAKING EYELET END BUTTONHOLES

#### WITH MEDIUM EYE (Adjustable)

256125	17402	Pattern Wheel, 5/8 to 7/8 in. complete, Nos. 252292, 256124, two each 203E, 250372 and three 391D
256127	17402	Pattern Wheel, 7/8 to 1-1/8 in. complete, Nos. 251426, 256126, two each 203E, 250372 and three 391D

No.	Plate	Name
256129	17402	Pattern Wheel, 1-1/8 to 1-3/8 in. complete, Nos. 251428, 256128, two each 203E, 250372 and three 391D
256131	17402	Pattern Wheel, 1-3/8 to 1-5/8 in. complete, Nos. 256130, 256173, two each 203E, 250372 and three 391D

### FOR MAKING STRAIGHT BUTTONHOLES

#### (Adjustable)

256133	17405	Pattern Wheel, 5/8 to 7/8 in. complete, Nos. 252292, 256132, three each 203E, 391D and 250372
256135	17405	Pattern Wheel, 7/8 to 1-1/8 in. complete, Nos. 251426, 256134, three each 203E, 391D and 250372
256137	17405	Pattern Wheel, 1-1/8 to 1-3/8 in. complete, Nos. 251428, 256136, three each 203E, 391D and 250372
256139	17405	Pattern Wheel, 1-3/8 to 1-5/8 in. complete, Nos. 256138, 256173, three each 203E, 391D and 250372

### FOR MAKING EYELET END BUTTONHOLES

#### MEDIUM EYE AND TAPER BAR

256659	17406	Pattern Wheel, 5/8 in., complete, bar adjustable from 1/8 to 3/8 in., Nos. 251425, 256658, two each 203E, 250372 and three 391D
256661	17406	Pattern Wheel, 3/4 in., complete, bar adjustable, from 1/8 to 3/8 in., Nos. 251426, 256660, two each 203E, 250372 and three 391D
256663	17406	Pattern Wheel, 7/8 in., complete, bar adjustable from 1/8 to 3/8 in., Nos. 251427, 256662, two each 203E, 250372 and three 391D
256665	17406	Pattern Wheel, 1 in., complete, bar adjustable from 1/8 to 3/8 in., Nos. 251428, 256664, two each 203E, 250372 and three 391D
256667	17406	Pattern Wheel, 1-1/8 in., complete, bar adjustable from 1/8 to 3/8 in., Nos. 256174, 256666, two each 203E, 250372 and three 391D
256669	17406	Pattern Wheel, 1-1/4 in., complete, bar adjustable from 1/8 to 3/8 in., Nos. 256173, 256668, two each 203E, 250372 and three 391D
256671	17406	Pattern Wheel, 1-3/8 in., complete, bar adjustable from 1/8 to 1/4 in., Nos. 256173, 256670, two each 203E, 250372 and three 391D

No.	Plate	Name
256673	17406	Pattern Wheel, 1-1/2 in., complete, 1/8 in. adjustable bar, Nos. 256173, 256672 two each 203E, 250372 and three 391D

## FOR MAKING EYELET END BUTTONHOLES

## LARGE EYE AND TAPER BAR

256675	17407	Pattern Wheel, 5/8 in., complete, bar adjustable from 1/8 to 3/8 in., Nos. 250732, 251425, 256674, two 175E, three each 203E, 391D and 250372
256677	17407	Pattern Wheel, 3/4 in., complete, bar adjustable from 1/8 to 3/8 in., Nos. 251426, 253444, 256676, two 175E, three each 203E, 391D and 250372
256679	17407	Pattern Wheel, 7/8 in., complete, bar adjustable from 1/8 to 3/8 in., Nos. 251427, 253444, 256678, two 175E, three each 203E, 391D and 250372
256681	17407	Pattern Wheel, 1 in., complete, bar adjustable from 1/8 to 3/8 in., Nos. 251428, 253444, 256680, two 175E, three each 203E, 391D, and 250372
256683	17407	Pattern Wheel, 1-1/8 in., complete, bar adjustable from 1/8 to 3/8 in., Nos. 253444, 256174, 256682, two 175E, three each 203E, 391D and 250372
256685	17407	Pattern Wheel, 1-1/4 in. complete, bar adjustable from 1/8 to 3/8 in., Nos. 253444, 256173, 256684, two 175E, three each 203E, 391D and 250372
256687	17407	Pattern Wheel, 1-3/8 in., complete, bar adjustable from 1/8 to 1/4 in., Nos. 253444, 256173, 256686, two 175E, three each 203E, 391D and 250372
256689	17407	Pattern Wheel, 1-1/2 in., complete, 1/8 in. adjustable bar, Nos. 253444, 256173, 256688, two 175E, three each 203E, 391D and 250372
256124	17402	Pattern Wheel, adjustable, for Buttonholes from 5/8 to 7/8 in., (large and medium eye), with 256205 and two 205D, for 256125
256132	17405	Pattern Wheel, adjustable, for Buttonholes from 5/8 to 7/8 in., (large eye and straight), for 256133
256126	17402	Pattern Wheel, adjustable, for Buttonholes, from 7/8 to 1-1/8 in., (large and medium eye) with 256205 and two 205D, for 256127
256134	17405	Pattern Wheel, adjustable, for Buttonholes, from 7/8 to 1-1/8 in., (large eye and straight), for 256135

No.	Plate	Name
256128	17402	Pattern Wheel, adjustable, for Buttonholes from 1-1/8 to 1-3/8 in., (Large and medium eye), with 256205 and two 205D, for 256129
256136	17405	Pattern Wheel, adjustable, for Buttonholes, from 1-1/8 to 1-3/8 in., (Large eye and straight), for 256137
256130	17402	Pattern Wheel, adjustable, for Buttonholes, from 1-3/8 to 1-5/8 in., (Large and medium eye), with 256205 and two 205D, for 256131
256138	17405	Pattern Wheel, adjustable, for Buttonholes, for 1-3/8 to 1-5/8 in., (Large eye and straight), for 256139
256658	17406	Pattern Wheel, for 5/8 in. Taper Bar (medium eye) Buttonhole, bar adjustable from 1/8 to 3/8 in., with 256205 and two 205D, for 256659
256660	17406	Pattern Wheel, for 3/4 in. Taper Bar (medium eye) Buttonhole, bar adjustable from 1/8 to 3/8 in., with 256205 and two 205D, for 256661
256662	17406	Pattern Wheel, for 7/8 in. Taper Bar (medium eye) Buttonhole, bar adjustable from 1/8 to 3/8 in., with 256205 and two 205D, for 256663
256664	17406	Pattern Wheel, for 1 in. Taper Bar (medium eye) Buttonhole, bar adjustable from 1/8 to 3/8 in., with 256205 and two 205D, for 256665
256666	17406	Pattern Wheel, for 1-1/8 in. Taper Bar (medium eye) Buttonhole, bar adjustable from 1/8 to 3/8 in., with 256205 and two 205D, for 256667
256668	17406	Pattern Wheel, for 1-1/4 in. Taper Bar (medium eye) Buttonhole, bar adjustable from 1/8 to 3/8 in., with 256205 and two 205D, for 256669
256670	17406	Pattern Wheel, for 1-3/8 in. Taper Bar (medium eye) Buttonhole, bar adjustable from 1/8 to 1/4 in., with 256205 and two 205D, for 256671
256672	17406	Pattern Wheel, for 1-1/2 in. Taper Bar (medium eye) Buttonhole, 1/8 in., adjustable bar, with 256205 and two 205D, for 256673
256674	17407	Pattern Wheel, for 5/8 in. Taper Bar (large eye) Buttonhole, bar adjustable from 1/8 to 3/8 in., for 256675
256676	17407	Pattern Wheel, for 3/4 in. Taper Bar (large eye) Buttonhole, bar adjustable from 1/8 to 3/8 in., for 256677
256678	17407	Pattern Wheel, for 7/8 in. Taper Bar (large eye) Buttonhole, bar adjustable from 1/8 to 3/8 in., for 256679



No.	Plate	Name
256680	17407	Pattern Wheel, for 1 in. Taper Bar (large eye) Buttonhole, bar adjustable from 1/8 to 3/8 in., for 256681
256682	17407	Pattern Wheel, for 1-1/8 in. Taper Bar (large eye) Buttonhole, bar adjustable from 1/8 to 3/8 in., for 256683
256684	17407	Pattern Wheel, for 1-1/4 in. Taper Bar (large eye) Buttonhole, bar adjustable from 1/8 to 3/8 in., for 256685
256686	17407	Pattern Wheel, for 1-3/8 in. Taper Bar (large eye) Buttonhole, bar adjustable from 1/8 to 1/1 in., for 256687
256688	17407	Pattern Wheel, for 1-1/2 in. Taper Bar (large eye) Buttonhole, 1/8 in. adjustable bar, for 256689
253444	17407	Pattern Wheel Cam Block, for 256677, 256679, 256681, 256683, 256685, 256687 and 256689
250732	17407	Pattern Wheel Cam Block, for 256675
175E	17407	" " " " Screw, for 256675, 256677, 256679, 256681, 256683, 256685, 256687 and 256689
256205	1740E	Pattern Wheel Position Plate, for 256124, 256126, 256128, 256130, 256656, 256660, 256662, 256664, 256666, 256668, 256670 and 256672
205D	1740E	Pattern Wheel Position Plate Screw, for 256124, 256126, 256128, 256130, 256656, 256660, 256662, 256664, 256666, 256668, 256670 and 256672
250372	1740E	Pattern Wheel Rapid Feed Trip Point
203E	1740E	" " " " " Screw
252258	1740E	" " Ring, (adjustable), for 252292
252292	1740E	Pattern Wheel Ring 252258, with 252275, 252276, two each 211E and 250444, for 256125 and 256133
251494	1740E	Pattern Wheel Ring (adjustable), for 251426
251426	1740E	Pattern Wheel Ring 251494 with 252662, 252663, two each 211E and 250444, for 256127, 256135, 256661 and 256677
251496	1740E	Pattern Wheel Ring (adjustable), for 251428
251428	1740E	Pattern Wheel Ring 251496 with 252662, 252663, two each 211E and 250444, for 256129, 256137, 256665 and 256681
252265	1740E	Pattern Wheel Ring (adjustable), for 256173
256173	1740E	Pattern Wheel Ring 252265 with 252662, 252663, two each 211E and 250444, for 256131, 256139, 256669, 256671, 256673, 256685, 256687 and 256689
251493	1740E	Pattern Wheel Ring (adjustable), for 251425

No.	Plate	Name
251425	1740E	Pattern Wheel Ring 251493 with 252662, 252663, two each 211E and 250444, for 256659 and 256675
251495	1740E	Pattern Wheel Ring (adjustable), for 251427
251427	1740E	Pattern Wheel Ring 251495 with 252662, 252663, two each 211E and 250444, for 256663 and 256679
252264	1740E	Pattern Wheel Ring (adjustable), for 256174
256174	1740E	Pattern Wheel Ring 252264 with 252662, 252663, two each 211E and 250444, for 256667 and 256683
252661	1740E	Pattern Wheel Ring Adjusting Segment (curved rise)
252275	1740E	Pattern Wheel Ring Adjusting Segment (curved rise)
252276	1740E	Pattern Wheel Ring Adjusting Segment (straight drop)
252662	1740E	Pattern Wheel Ring Adjusting Segment (straight drop)
	211E	Pattern Wheel Ring Adjusting Segment Screw
250444	1740E	Pattern Wheel Ring Adjusting Segment Screw Washer
591D	1740E	Pattern Wheel Ring Screw

## SHAFT PULLEYS

27271	-----	Shaft Pulley (sectional, grooved), 4 in. diam., 1-3/16 in. bore, with two 597C
232920	-----	Shaft Pulley (sectional, grooved), 4-1/2 in. diam., 1-3/16 in. bore, with two 597C
27065	-----	Shaft Pulley (sectional, grooved), 5 in. diam., 1-3/16 in. bore, with two 597C
232879	-----	Shaft Pulley (sectional, grooved), 5-1/2 in. diam., 1-3/16 in. bore, with two 597C
27066	-----	Shaft Pulley (sectional, grooved), 6 in. diam., 1-3/16 in. bore, with two 597C
232880	-----	Shaft Pulley (sectional, grooved), 6-1/2 in. diam., 1-3/16 in. bore, with two 597C
27067	-----	Shaft Pulley (sectional, grooved), 7 in. diam., 1-3/16 in. bore, with two 597C
232881	-----	Shaft Pulley (sectional, grooved), 7-1/2 in. diam., 1-3/16 in. bore, with two 597C
150611	16388	Shaft Pulley (sectional, grooved), pressed steel, flat type, rolled edge, 8 in. diam., 1-3/16 in. bore, with two 731N
232882	-----	Shaft Pulley (sectional, grooved), 8-1/2 in. diam., 1-3/16 in. bore, with two 597C

SHAFT PULLEYS

No.	Plate	Name
150614	16388	Shaft Pulley (sectional, grooved), pressed steel, flat type, rolled edge, 9 in. diam., 1-3/16 in. bore, with two 731H
232863	-----	Shaft Pulley (sectional, grooved), 2-1/2 in. diam., 1-3/16 in. bore, with two 597C
27070	-----	Shaft Pulley (sectional, grooved), 10 in. diam., 1-3/16 in. bore, with two 597C
27072	-----	Shaft Pulley (sectional, grooved), 11 in. diam., 1-3/16 in. bore, with two 597C
27074	-----	Shaft Pulley (sectional, grooved), 14 in. diam., 1-3/16 in. bore, with two 597C
27075	-----	Shaft Pulley (sectional, grooved), 15 in. diam., 1-3/16 in. bore, with two 597C
731H	16388	Shaft Pulley Clamping Screw
597C	-----	" " " "

SINGER KNIFE TRUEING FIXTURE

232870	16401	Base with 448AL
232871	16401	" 232870 with 59D, 232872 and 232876
232872	16401	Knife Clamping Lever
59D	16401	" " " Hinge Screw
232873	16401	Oil Stone
232874	16401	" " Bracket with three 448AL
232875	16401	" " " 232874 with 232873 and 232877
232876	16401	Oil Stone Bracket Shaft
448AL	16401	" " " " Set Screw
448AL	16401	" " " " Set Screw
232877	16401	" " " " Friction Gib
232878	16401	Singer Knife Trueing Fixture complete, Nos. 232871 and 232875

THREAD LUBRICATING CUP

250518	16384	Thread Lubricating Cup with 171E, 250519 and 250520
250519	16384	Thread Lubricating Cup Oil Pad
171E	16384	" " " Pinch Screw
250520	16384	" " " Thread Guide

16348 - 1/4

232003 1500

250002 2001100

7071 256199

2000760

38446 500160

175E 175E

16980 1636E

2003410 200130E

2000209

250140

250140 16970

250140 16970

232772 232244

200100E 202260 232488

232490 232488 483AL 202260

246021

250108 232178

2500760 255126

39532 16710

250140

7410

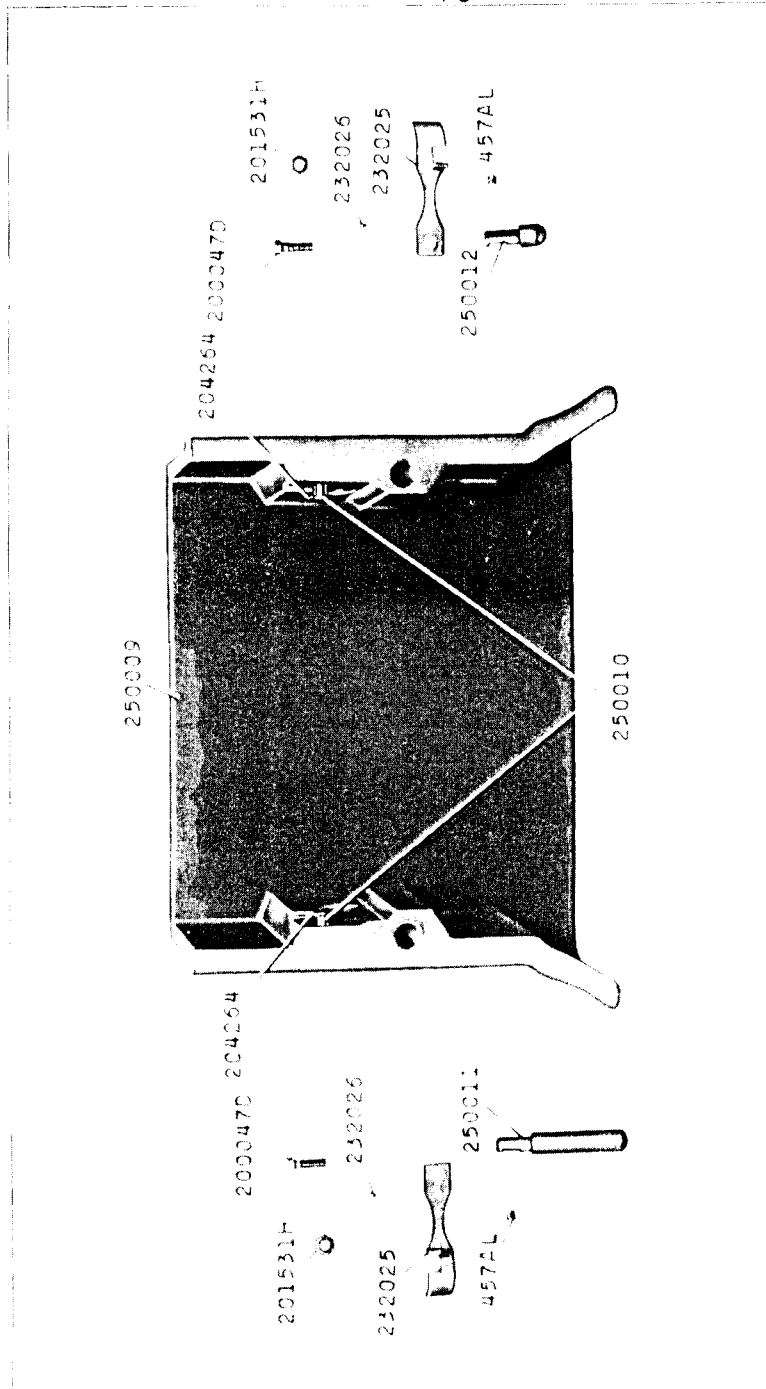
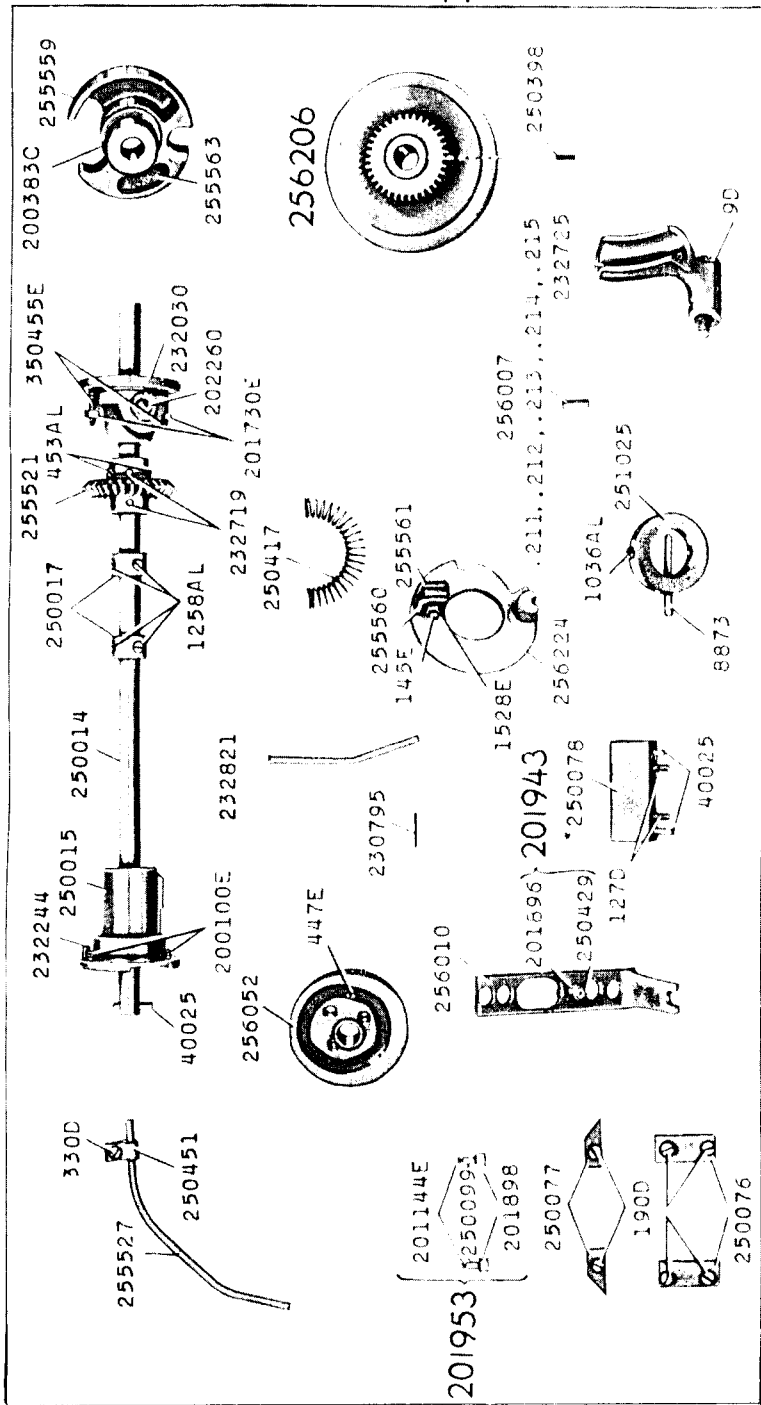
250105

232709

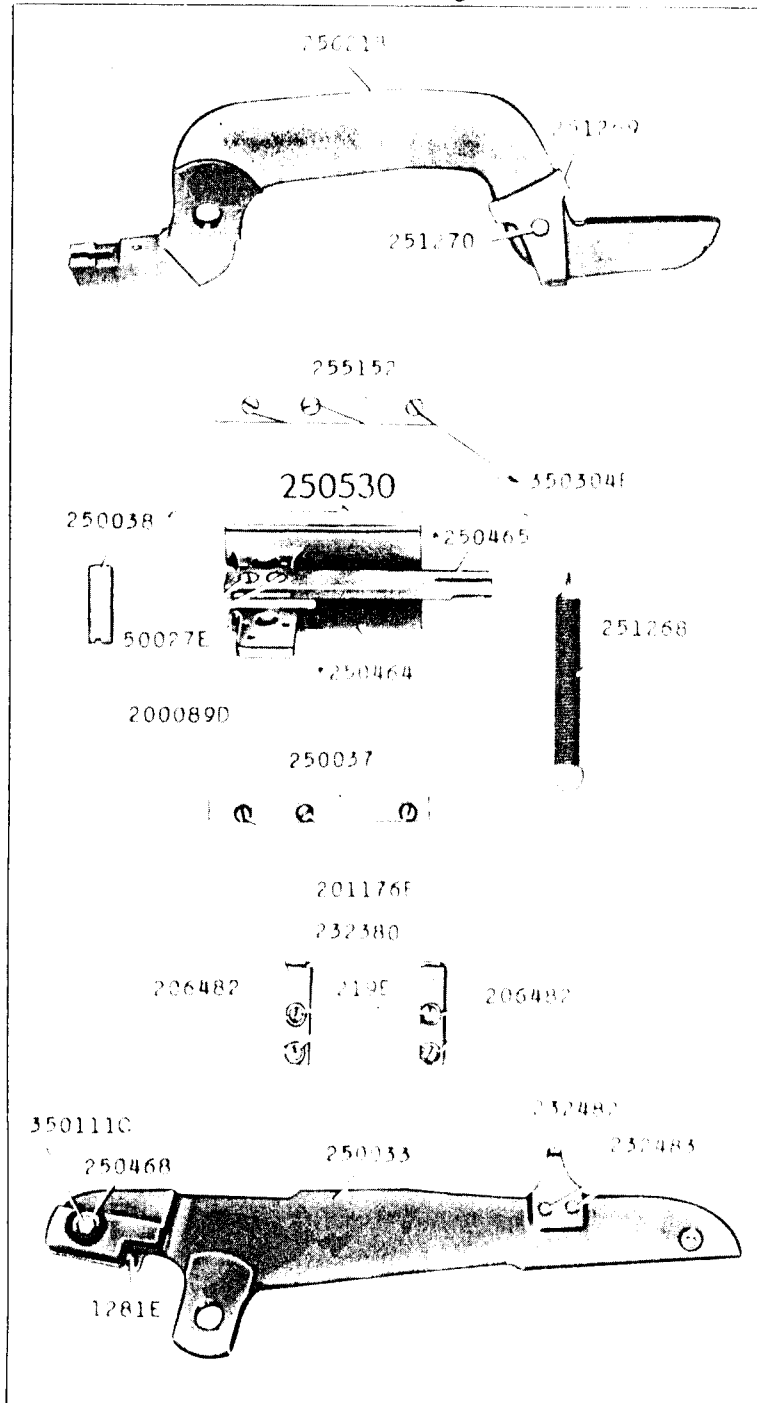
222598

200394C

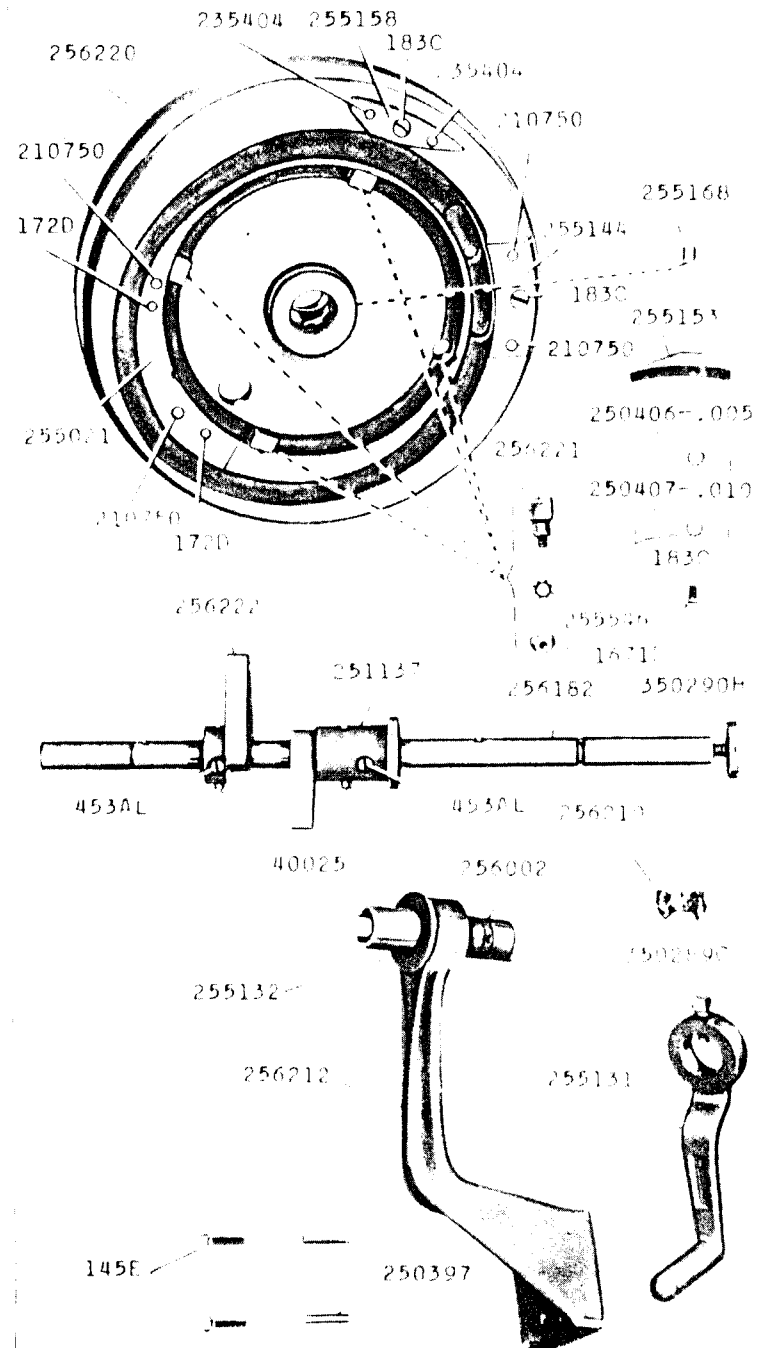
200382C



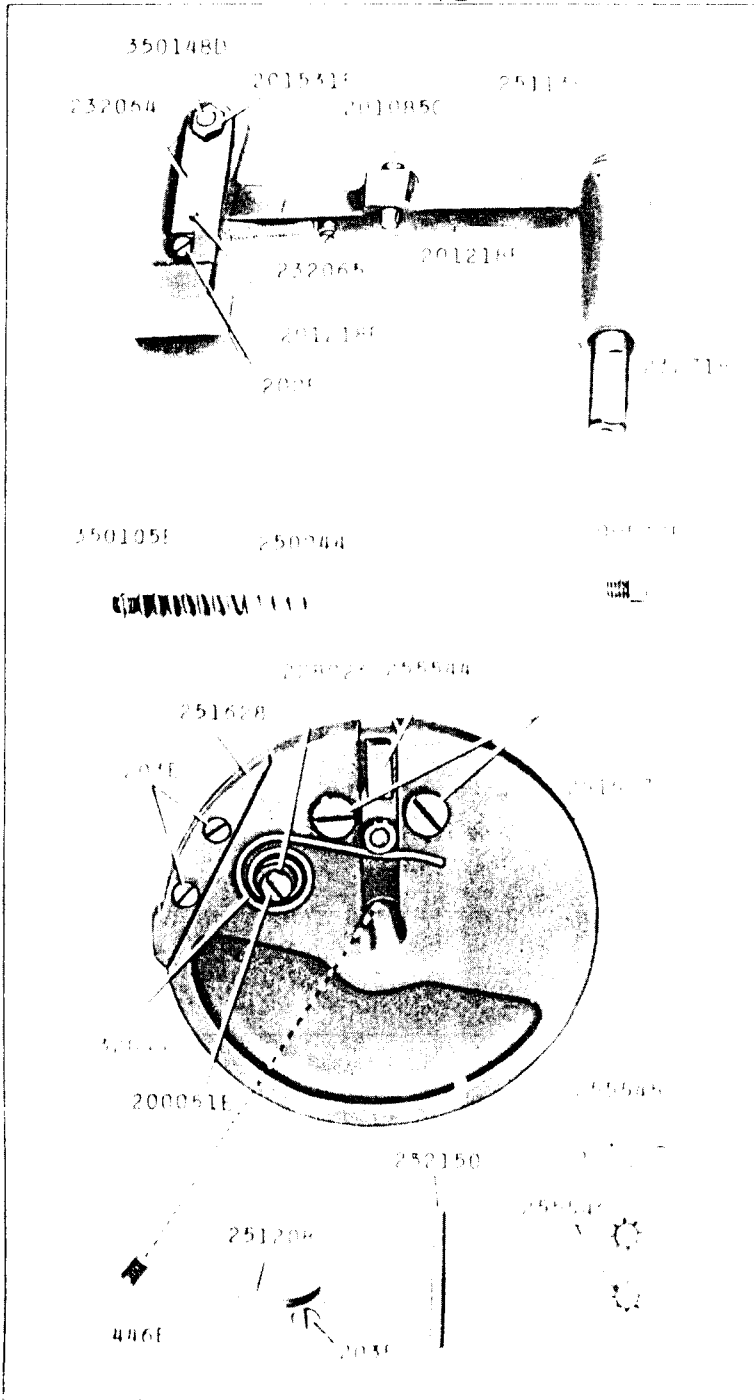
16351 - 1/3



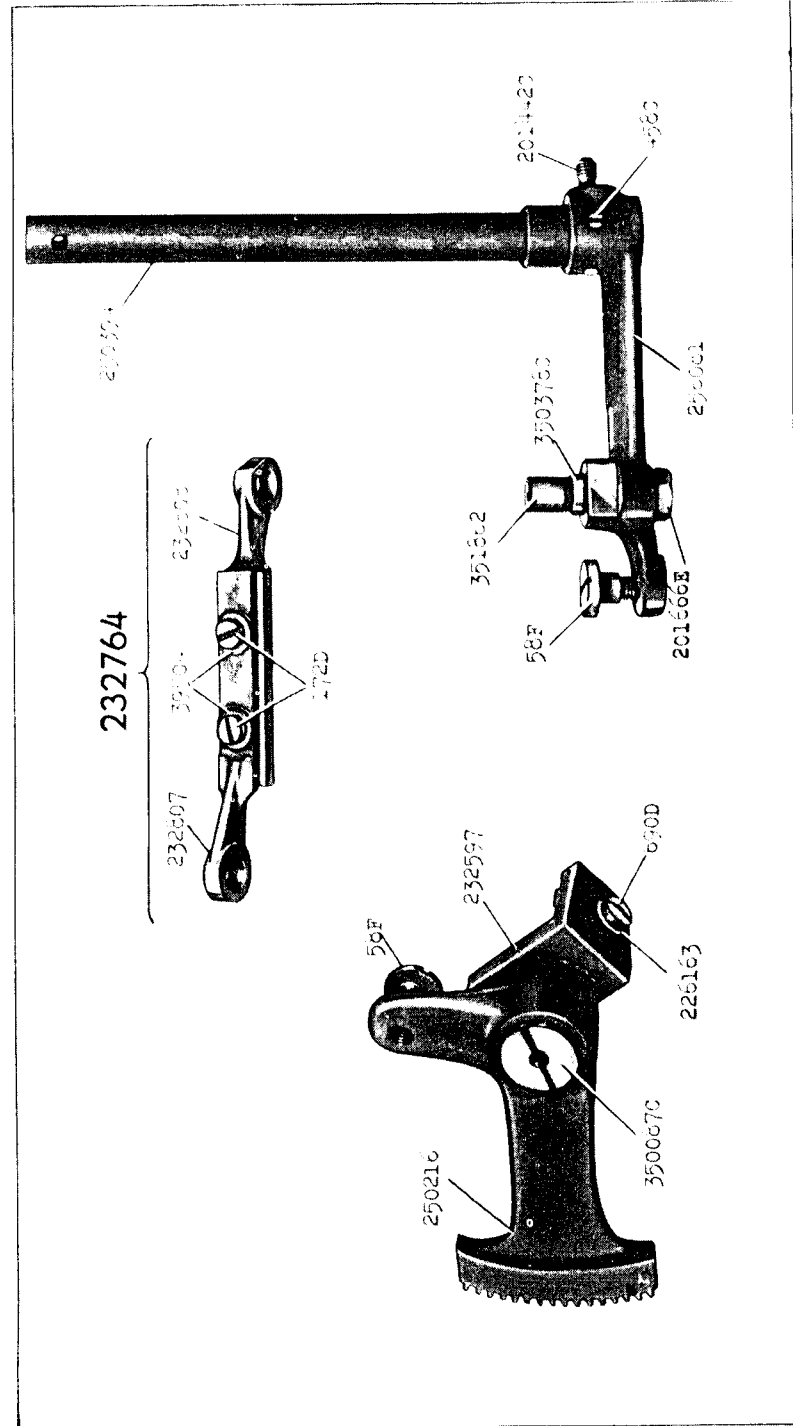
16353 - 1/3



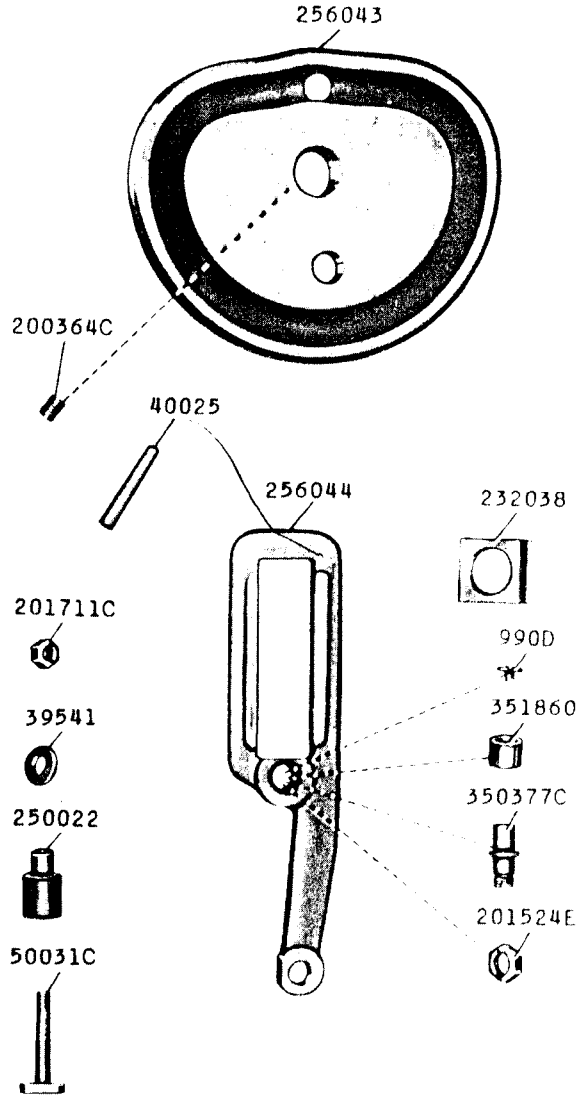
16354 - 1/2



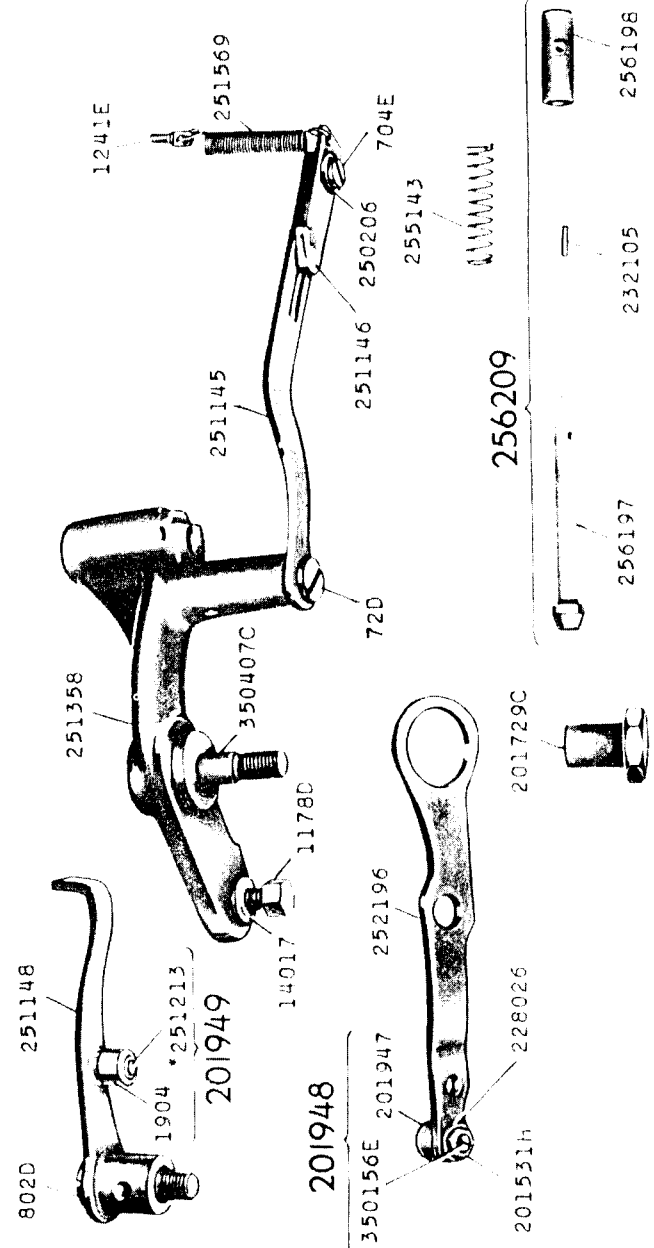
16355 - 1/2



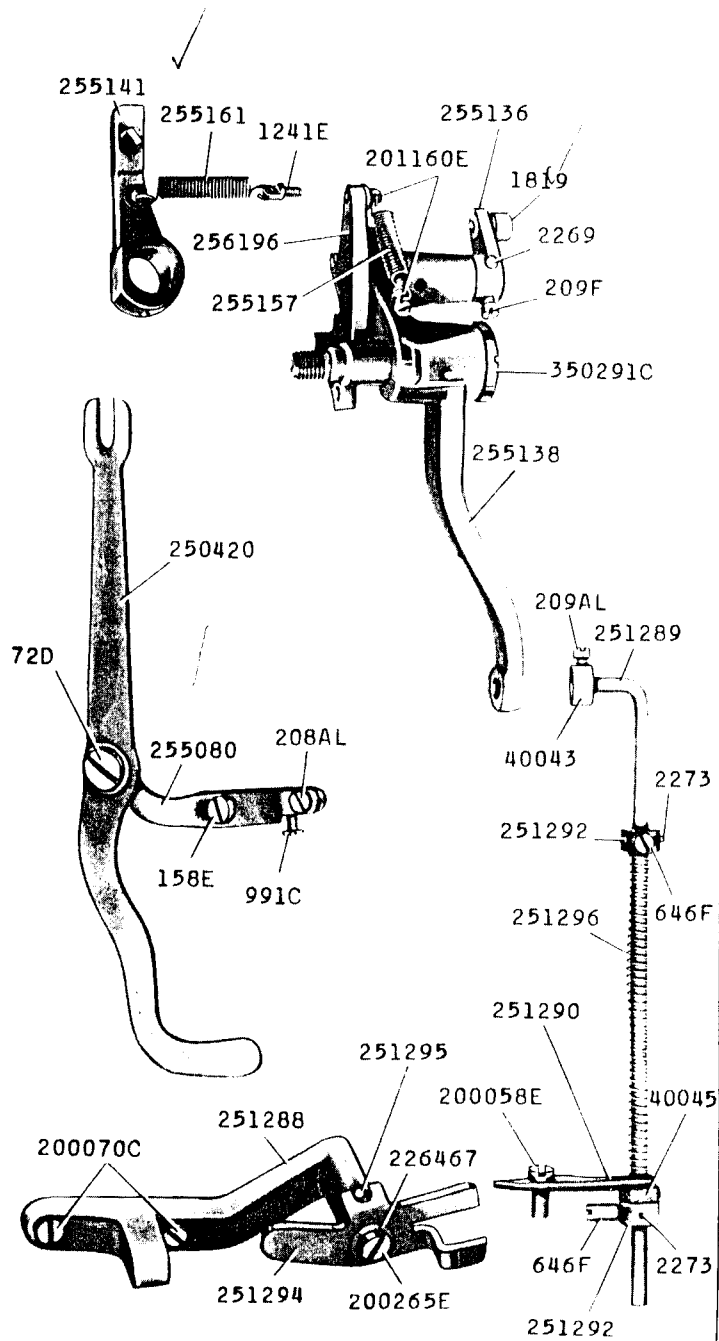
16356 - 1/2



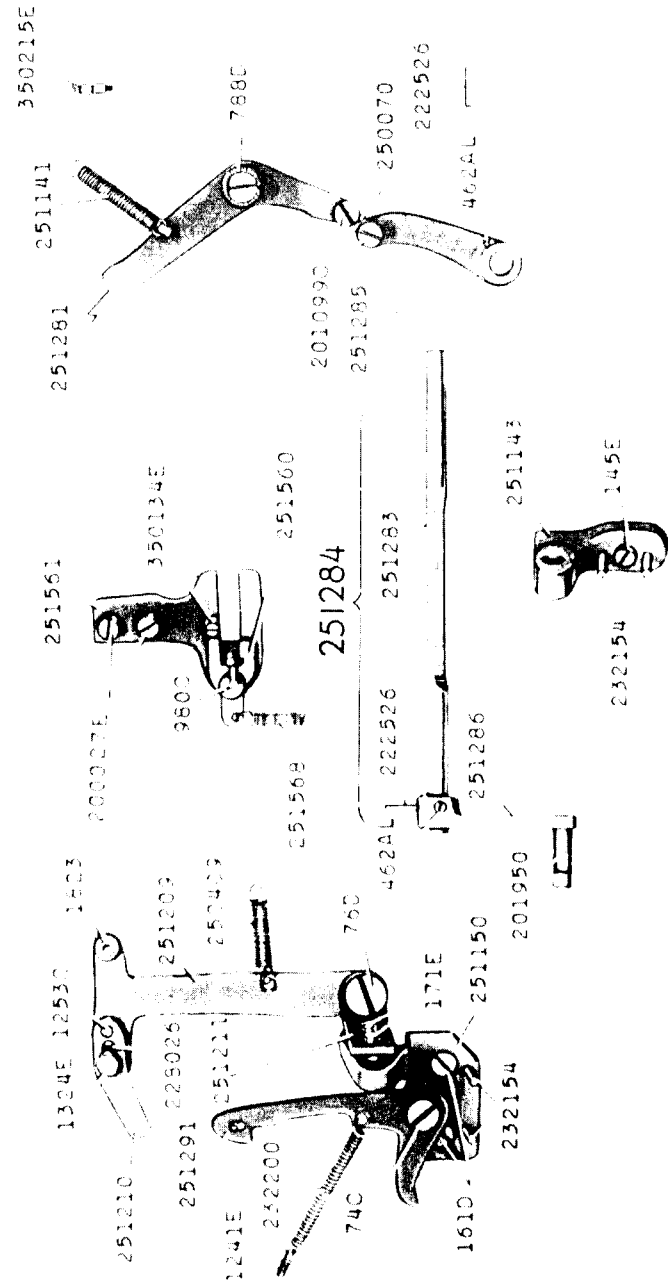
16357 - 1/2



16358 - 1/2



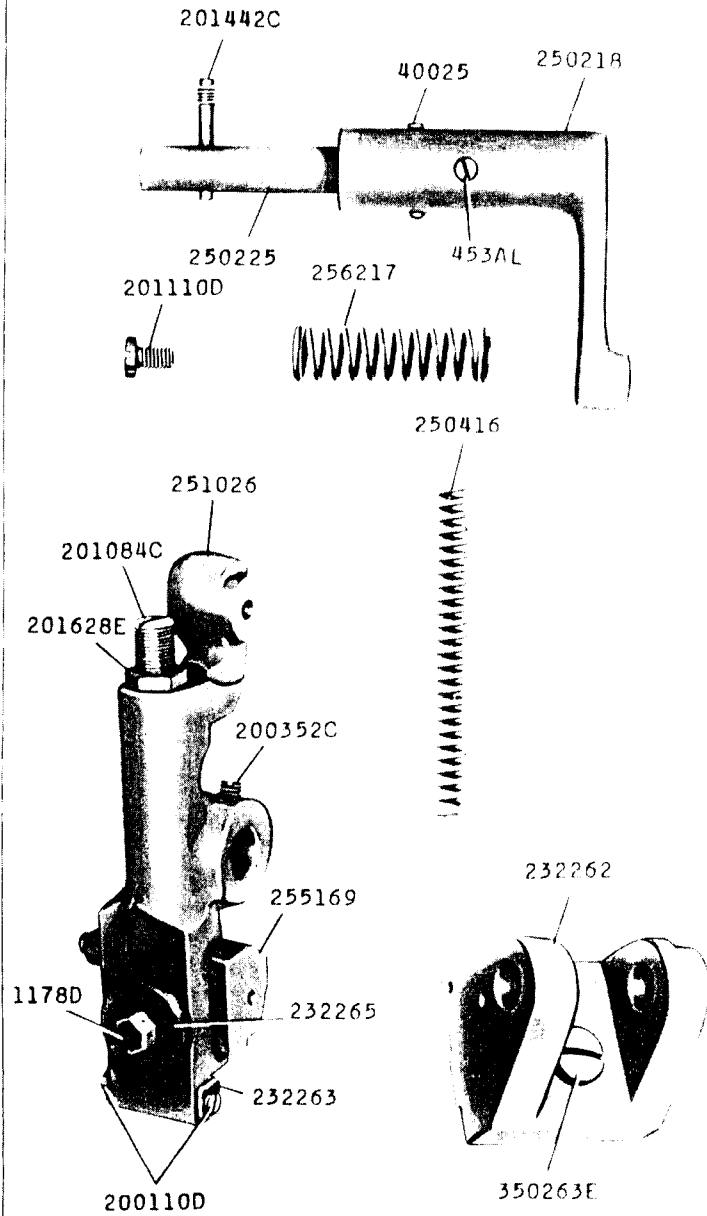
16359 - 3/8



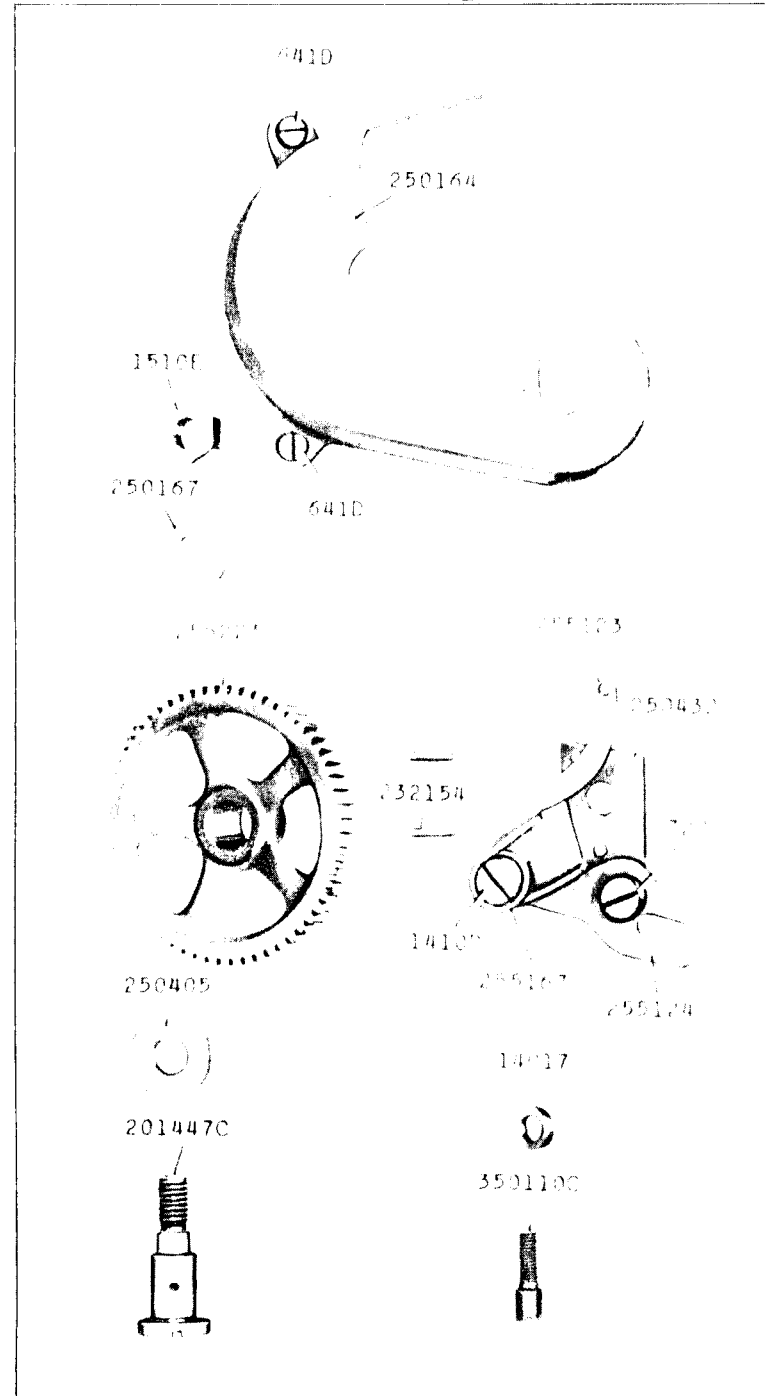




16363 - 1/2

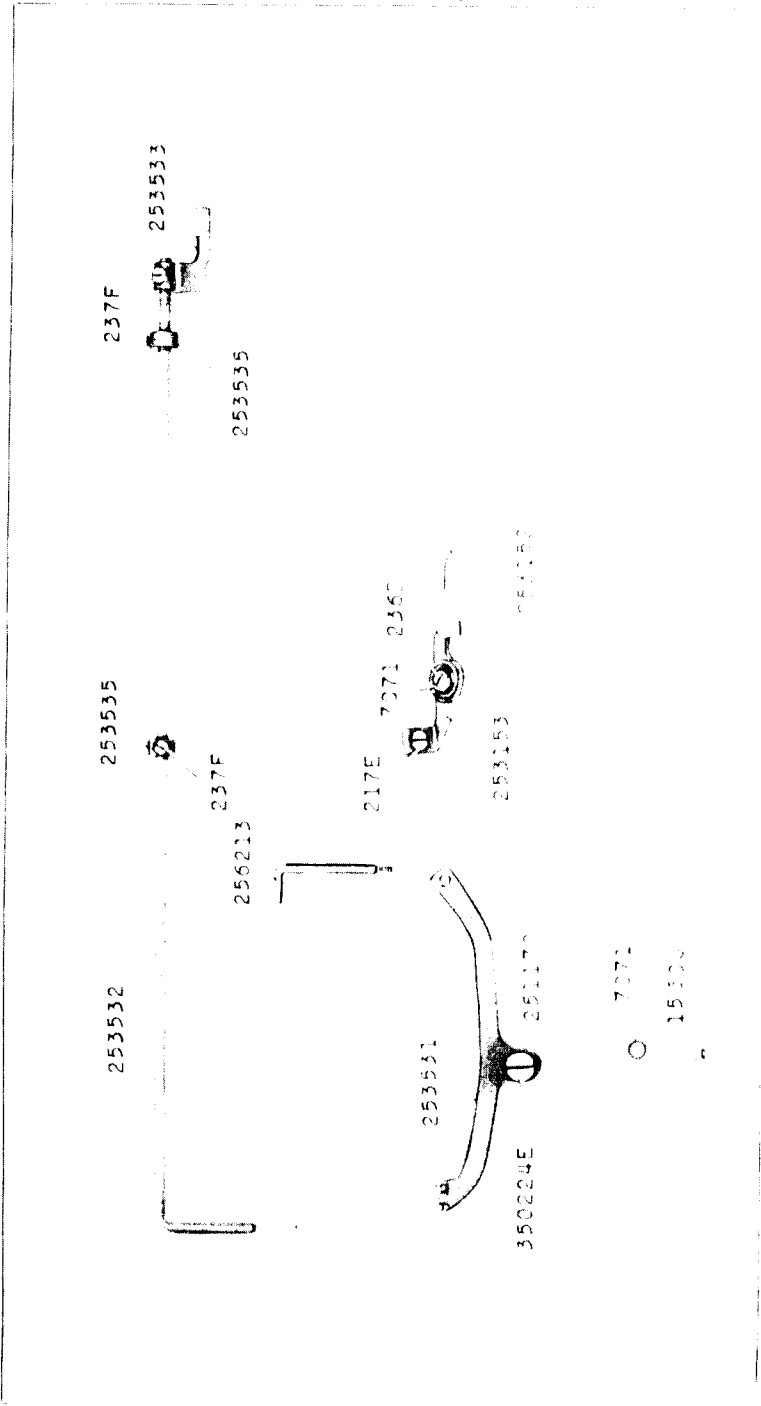


16364 - 1/2

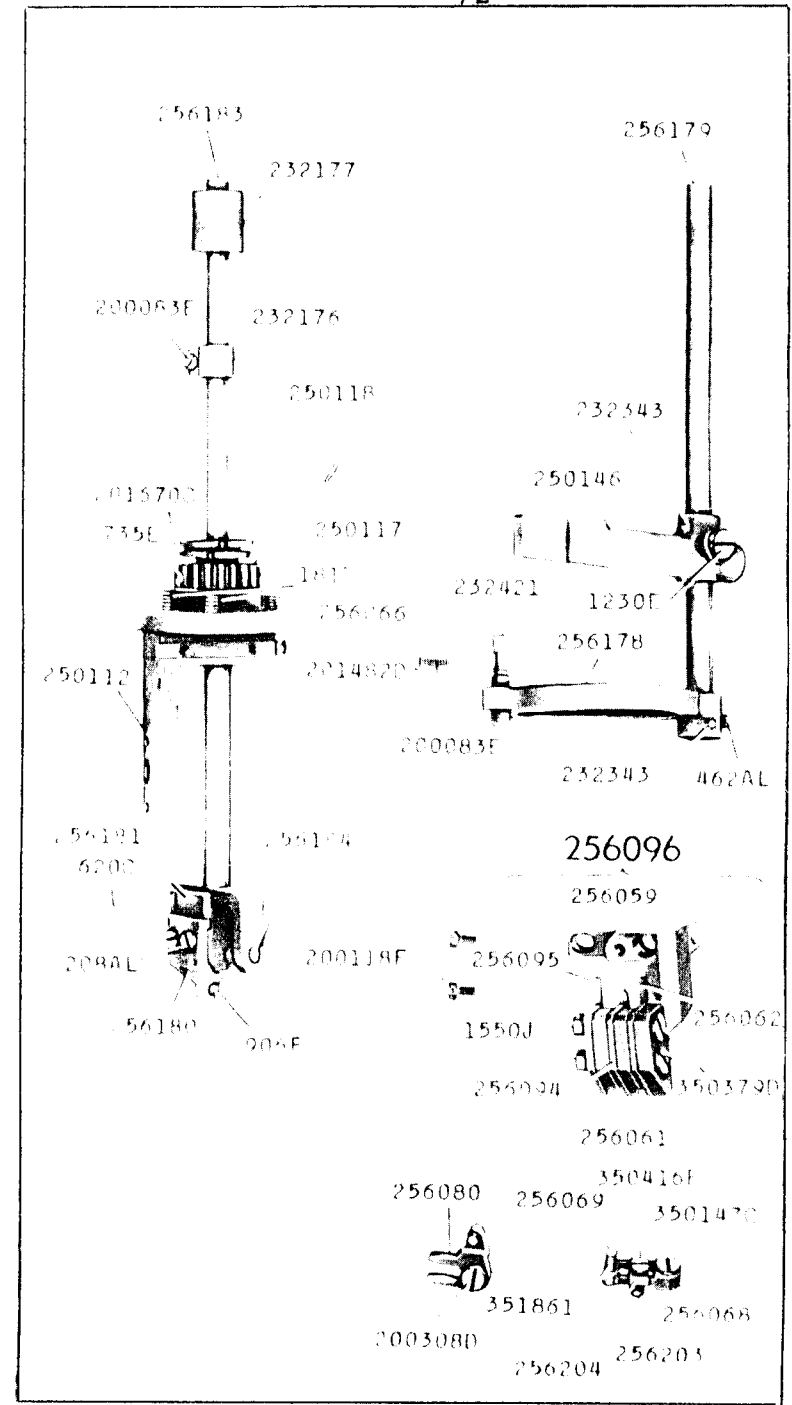




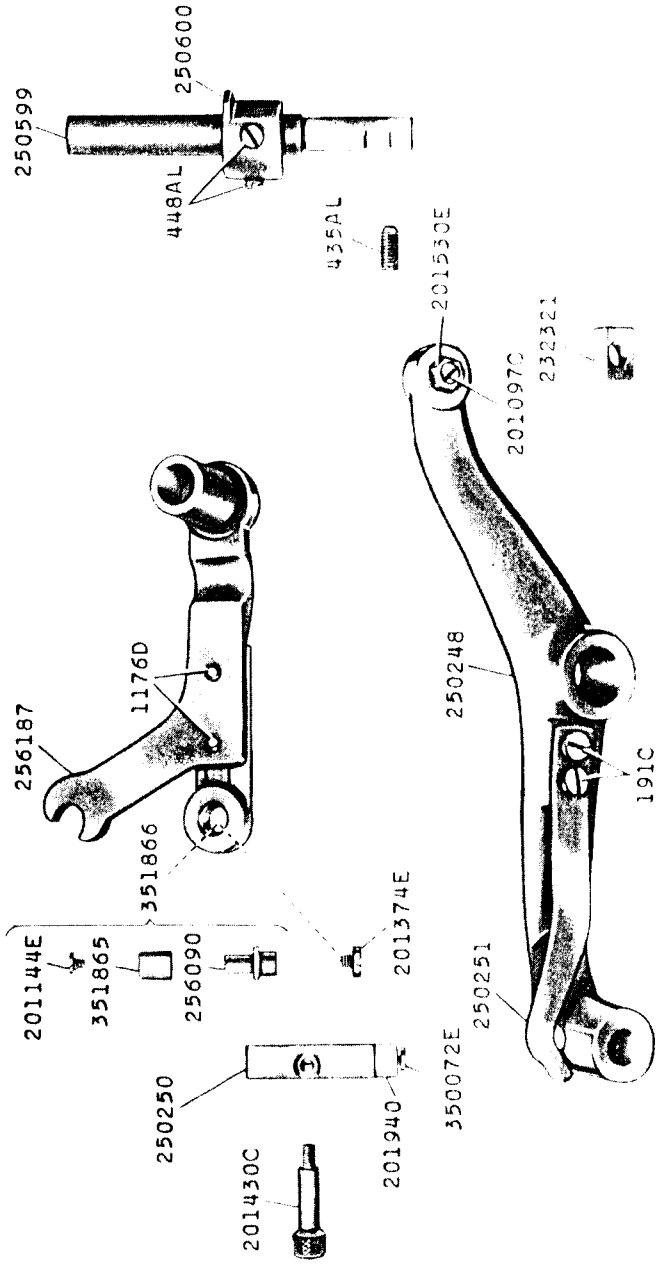
16369 - 3/8



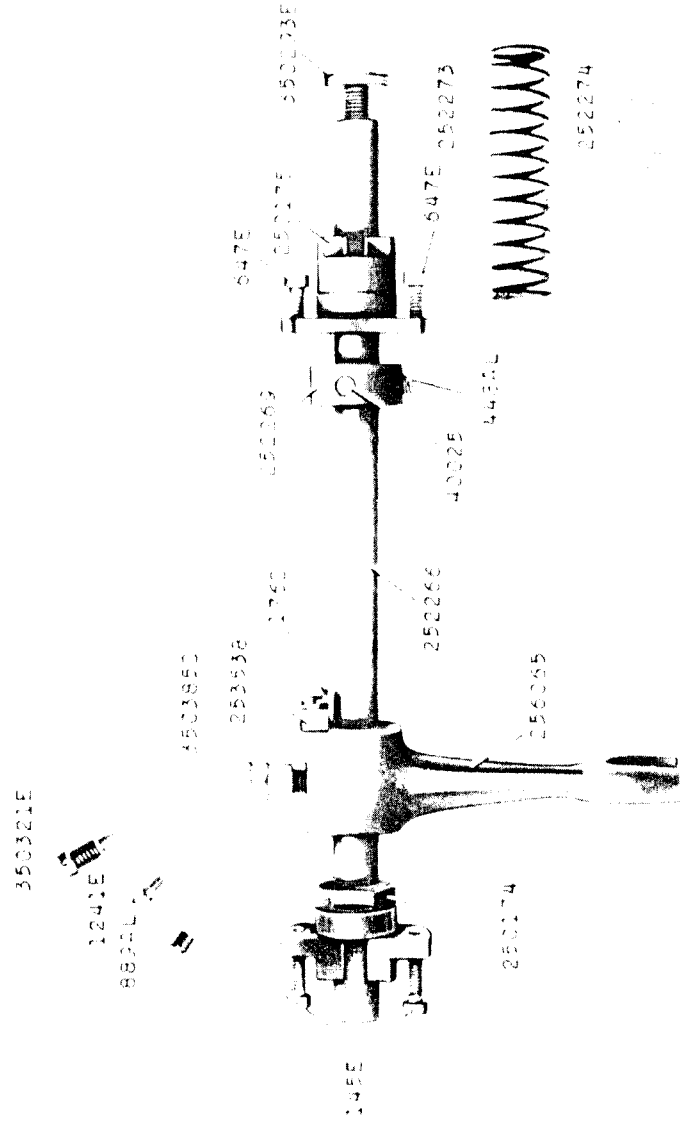
16370 - 1/2



16371 - 1/2



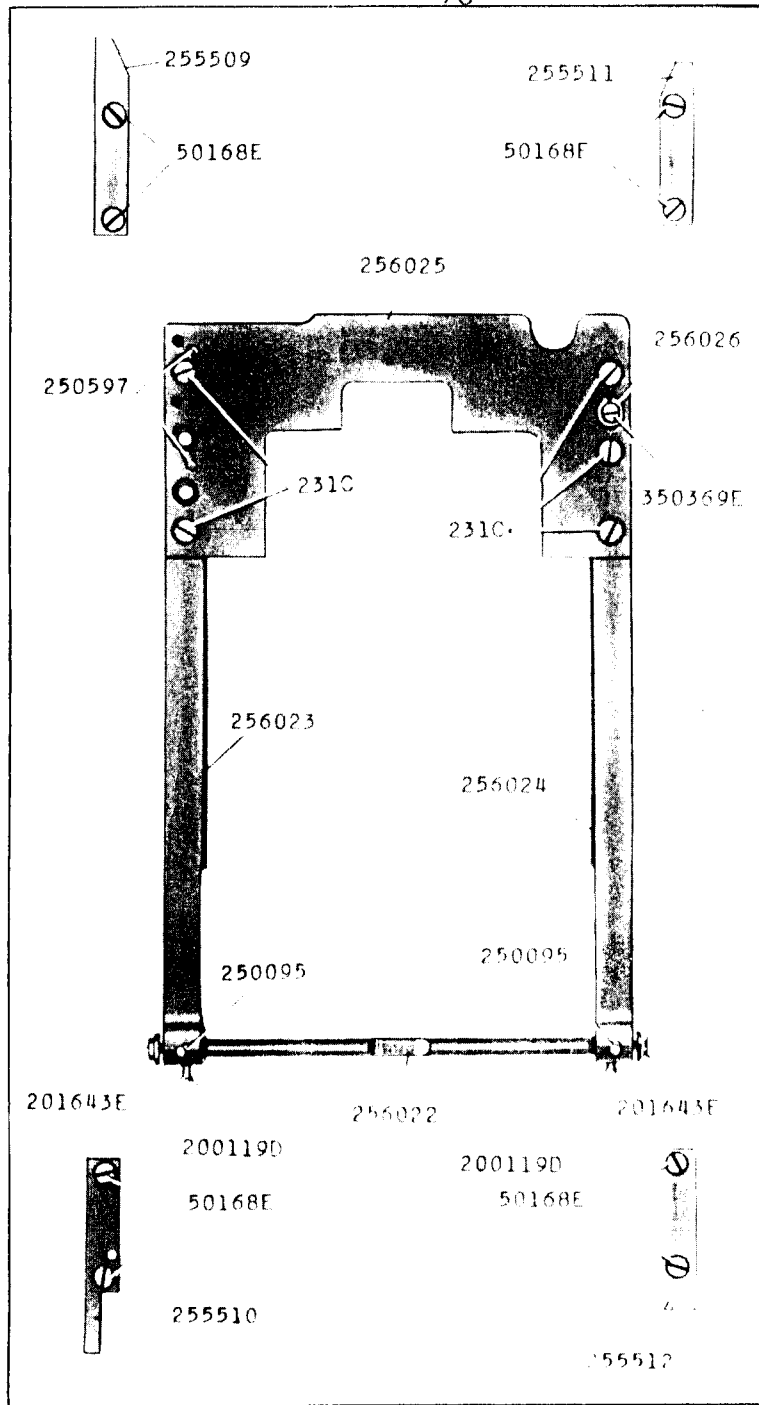
16372 - 1/2



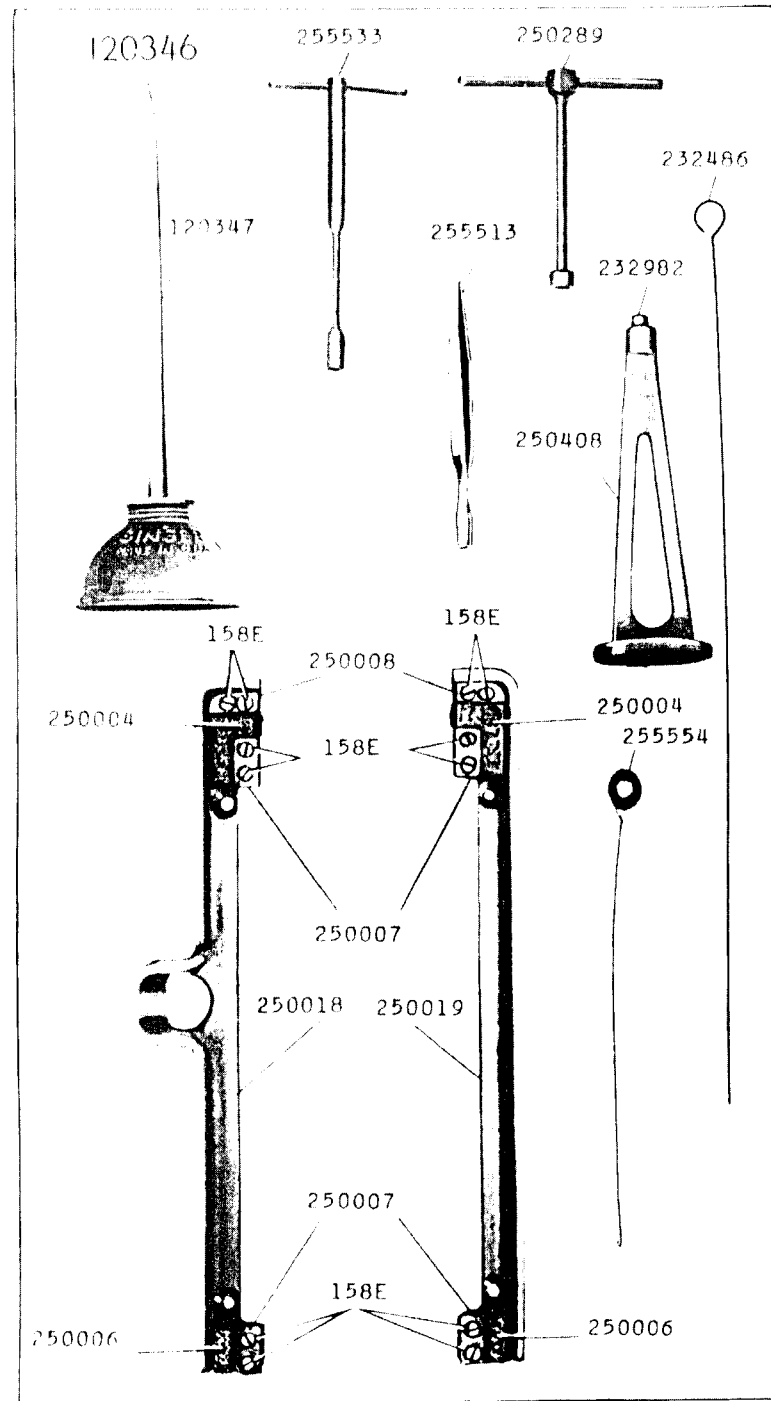




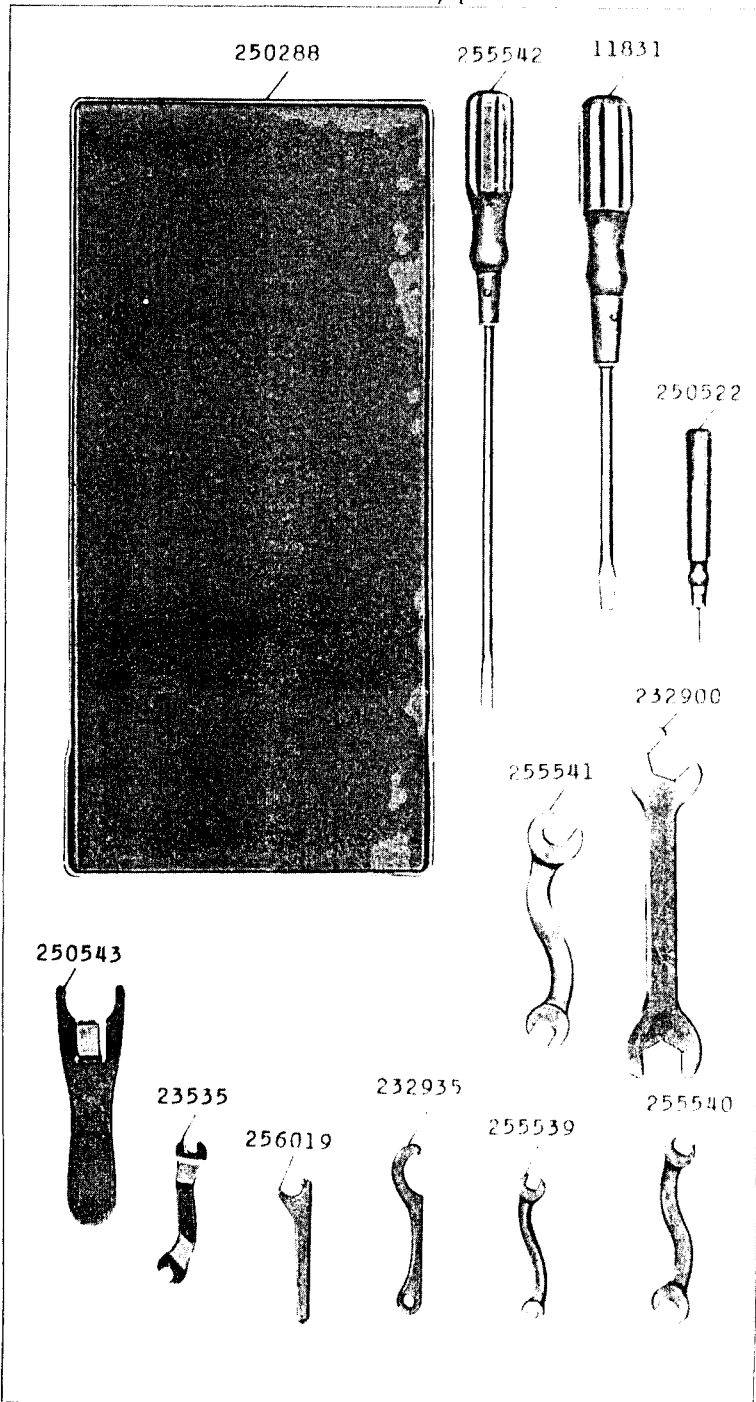
16379 - 3/8



16382 - 1/4

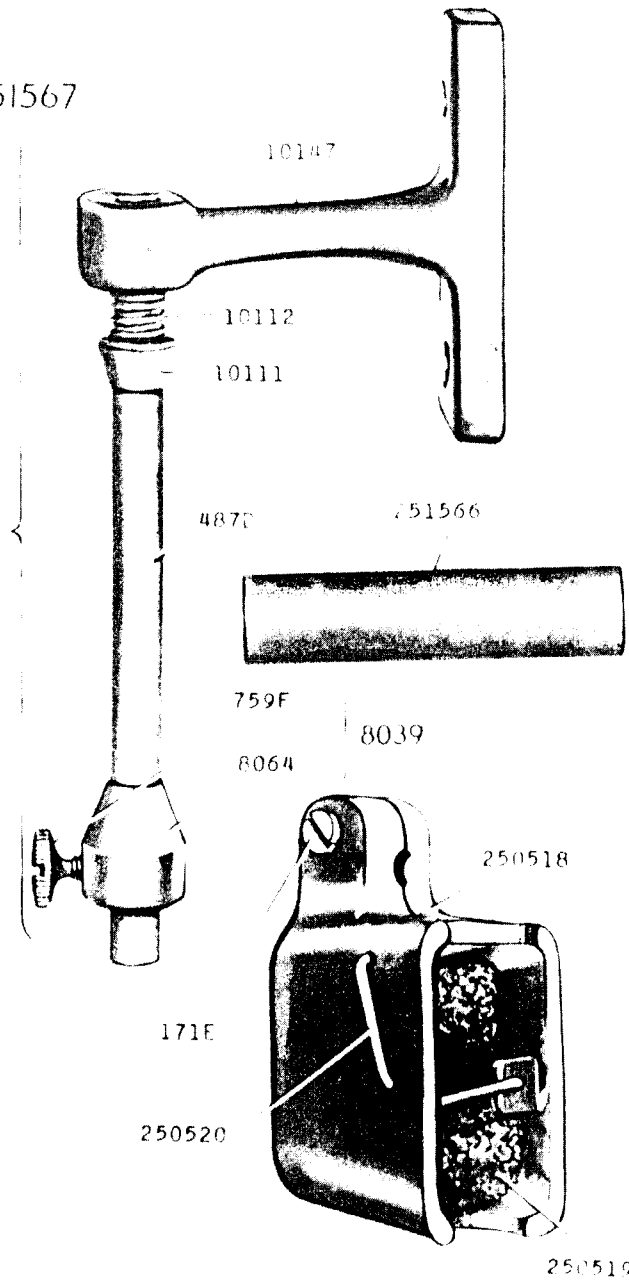


16383 - 1/4



16384

251567

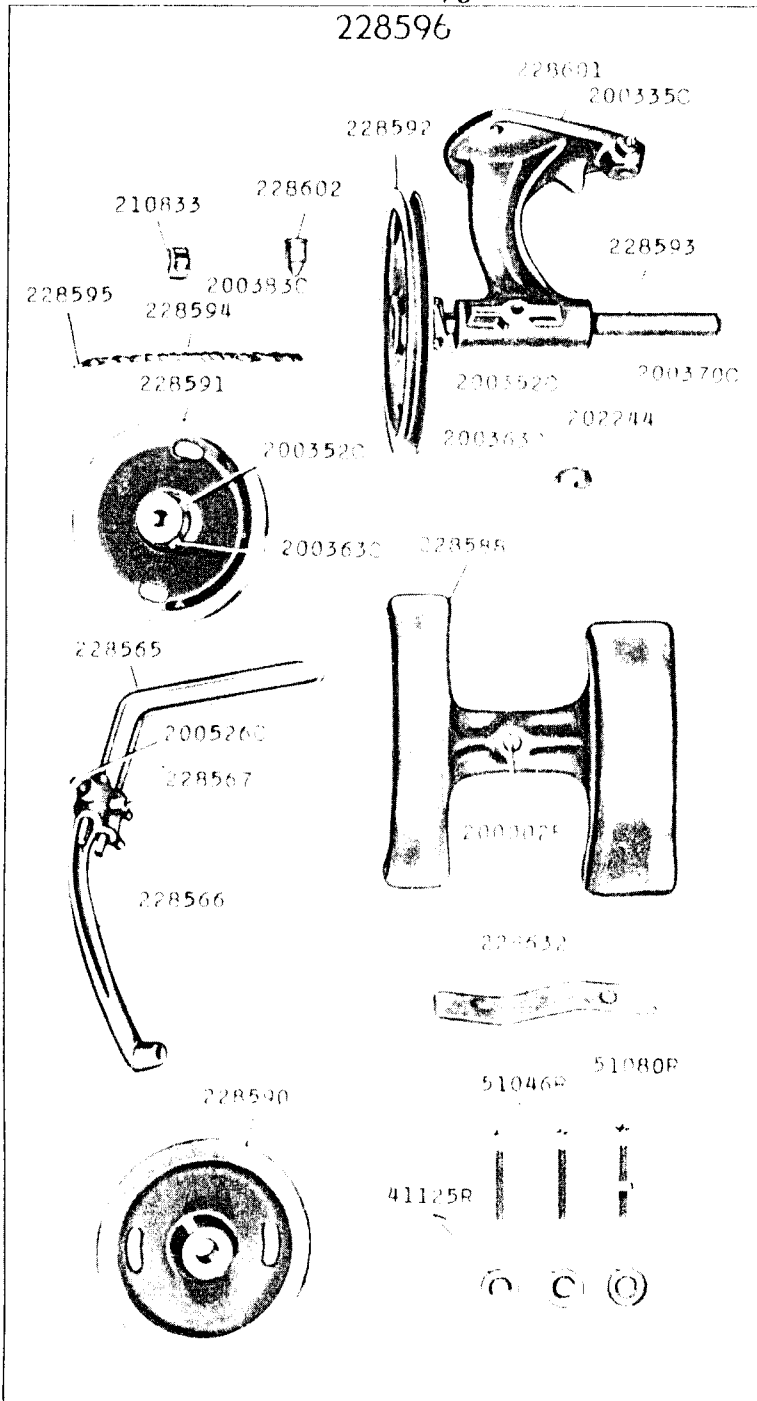






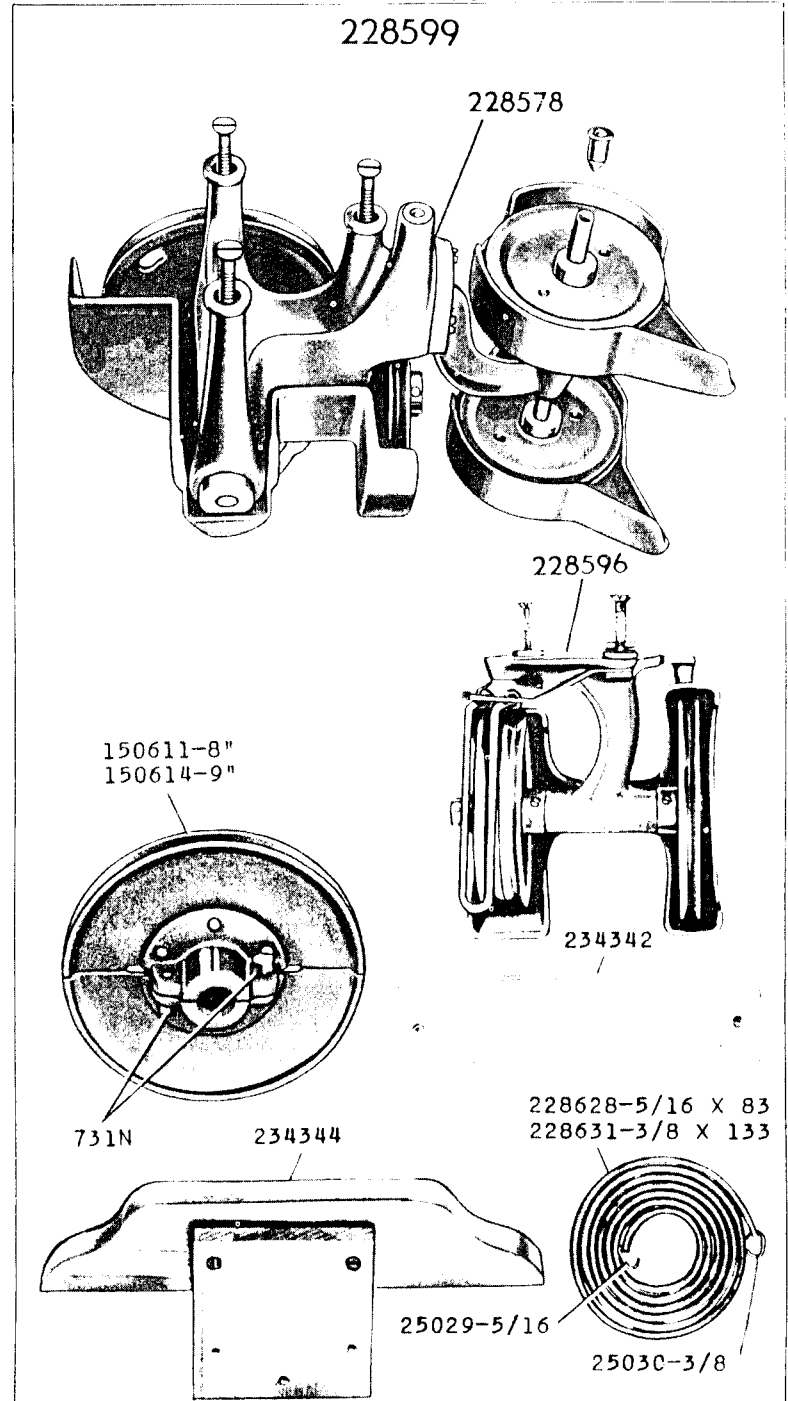
16387 - 1/5

228596



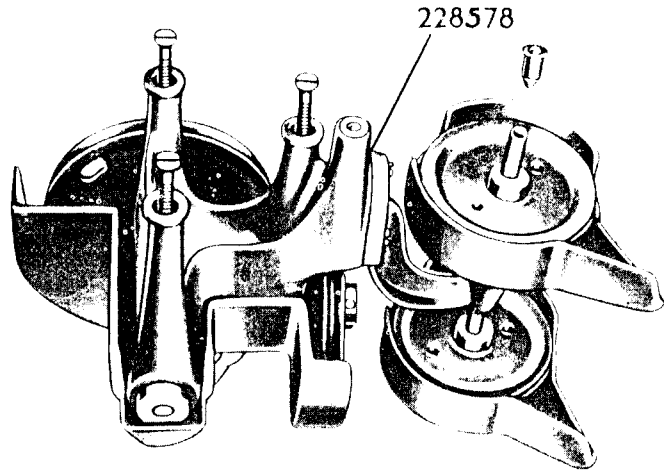
16388 - 1/6

228599

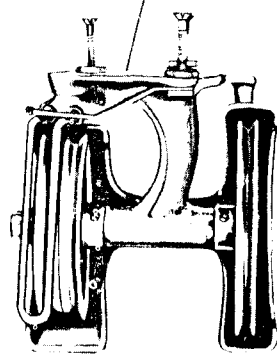


16389 - 1/6

228609



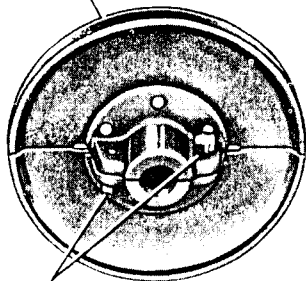
228596



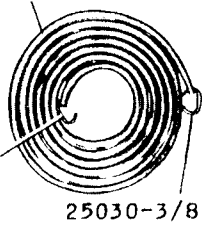
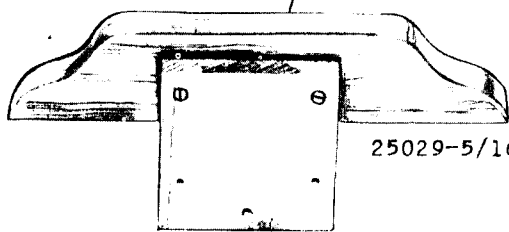
228608



228628-5/16 X 83  
228631-3/8 X 133

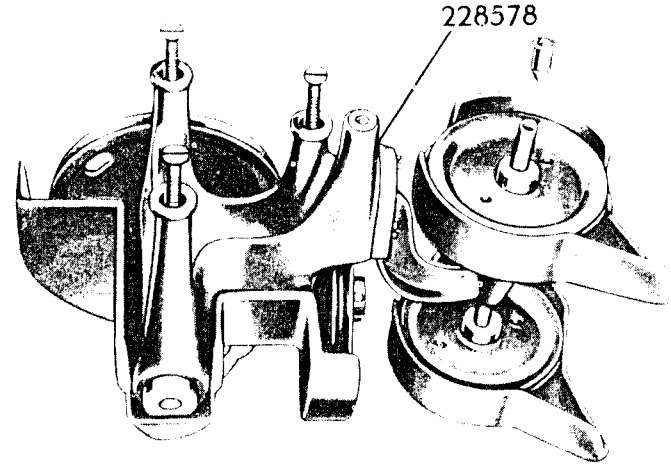


234344

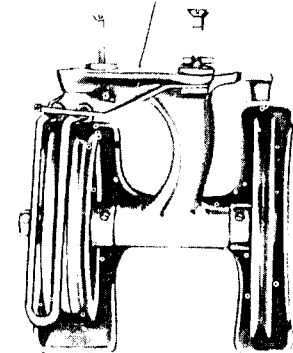


16390 - 1/6

228611



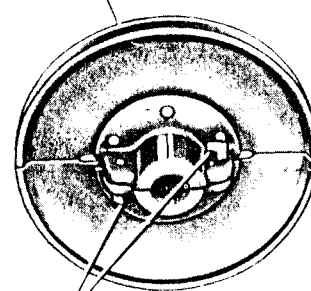
228596



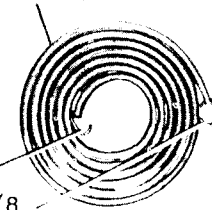
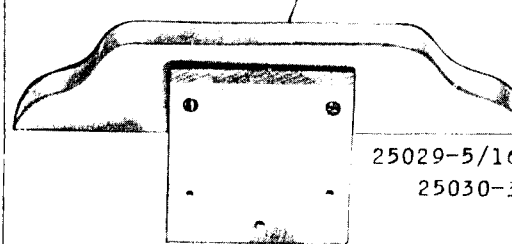
228610



228628-5/16 X 83  
228631-3/8 X 133

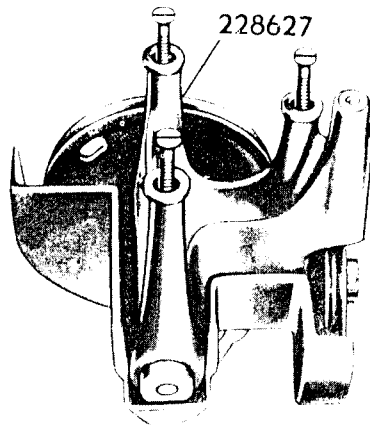


234344

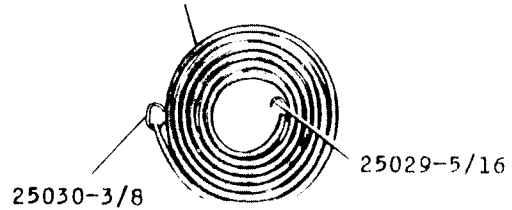


16391 - 1/6

228605

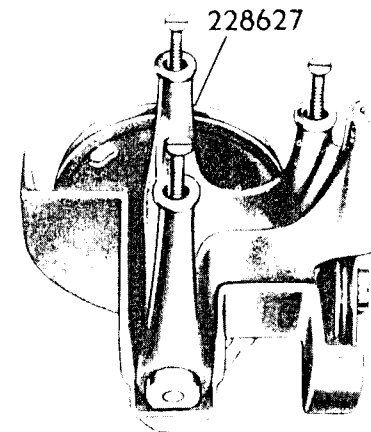


228628-5/16 X 83  
228629-3/8 X 57

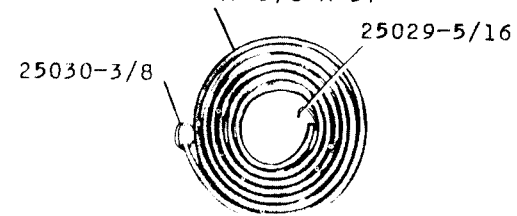


16392 - 1/6

228612



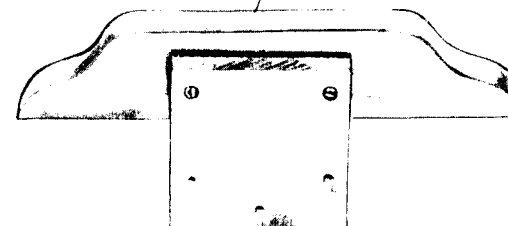
228628-5/16 X 83  
228629-3/8 X 57



234342

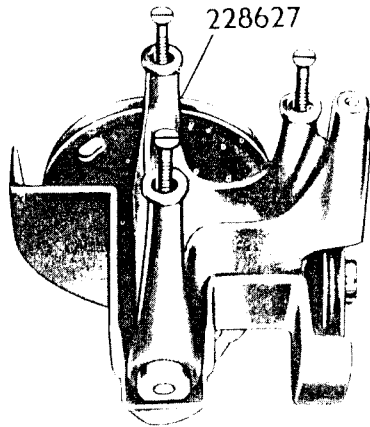


234344

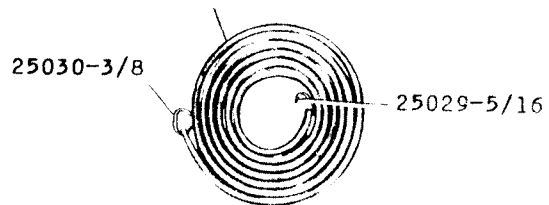


16393 - 1/6

228613



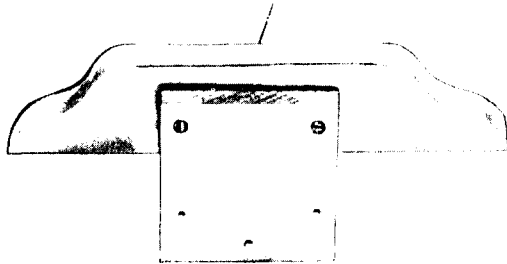
228628-5/16 X 83  
228629-3/8 X 57



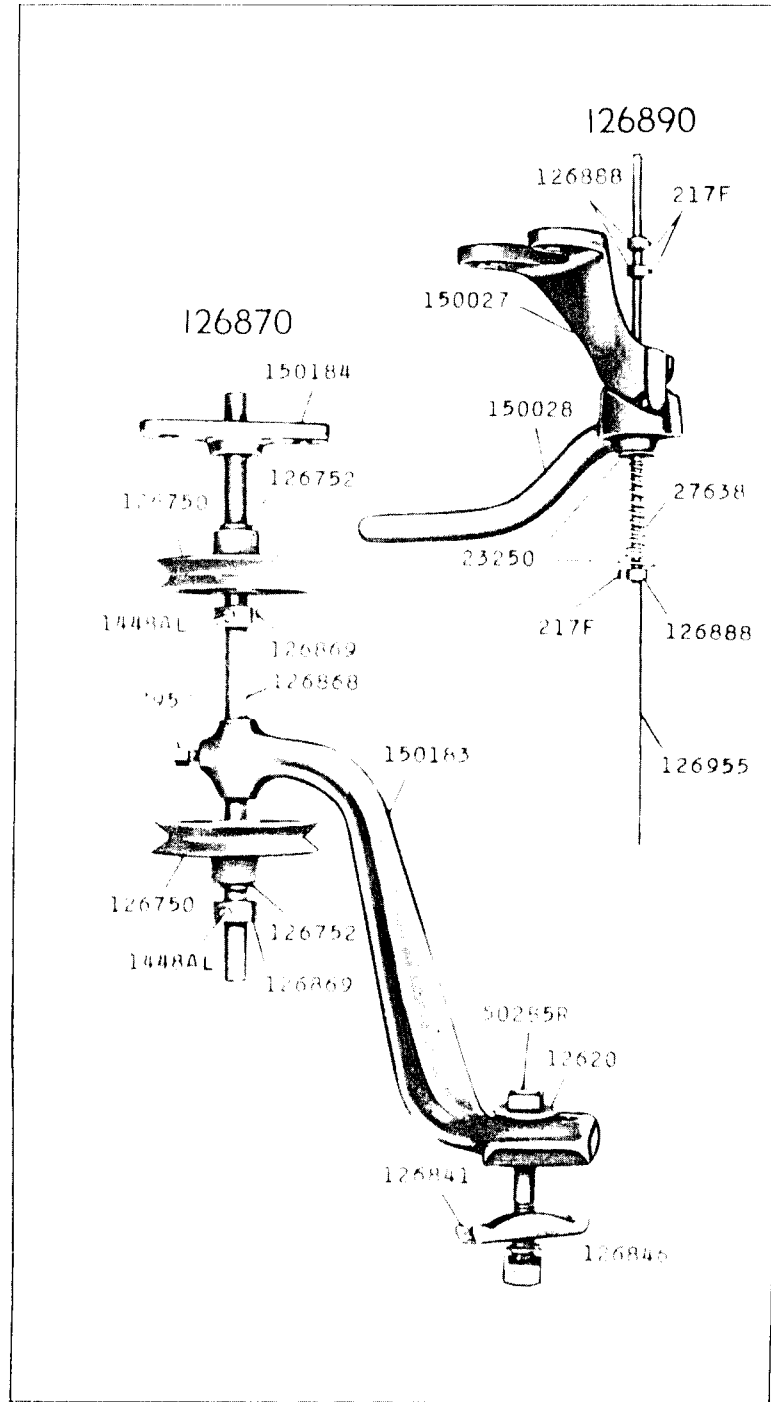
228610



234344

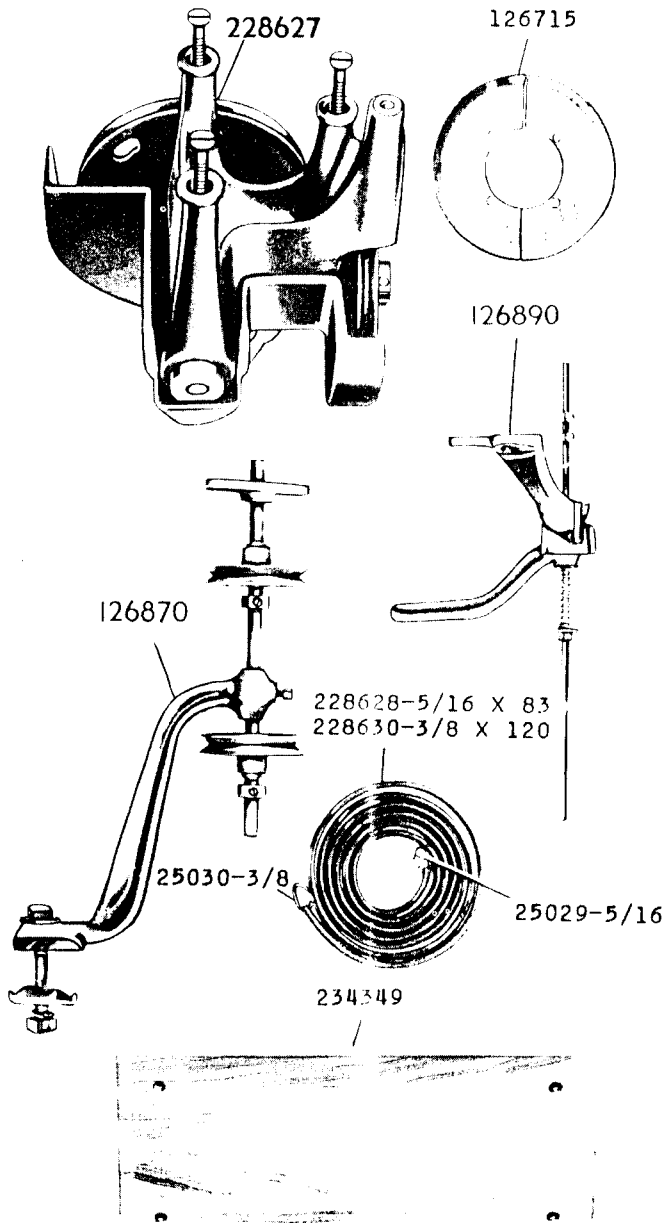


16394 - 1/4



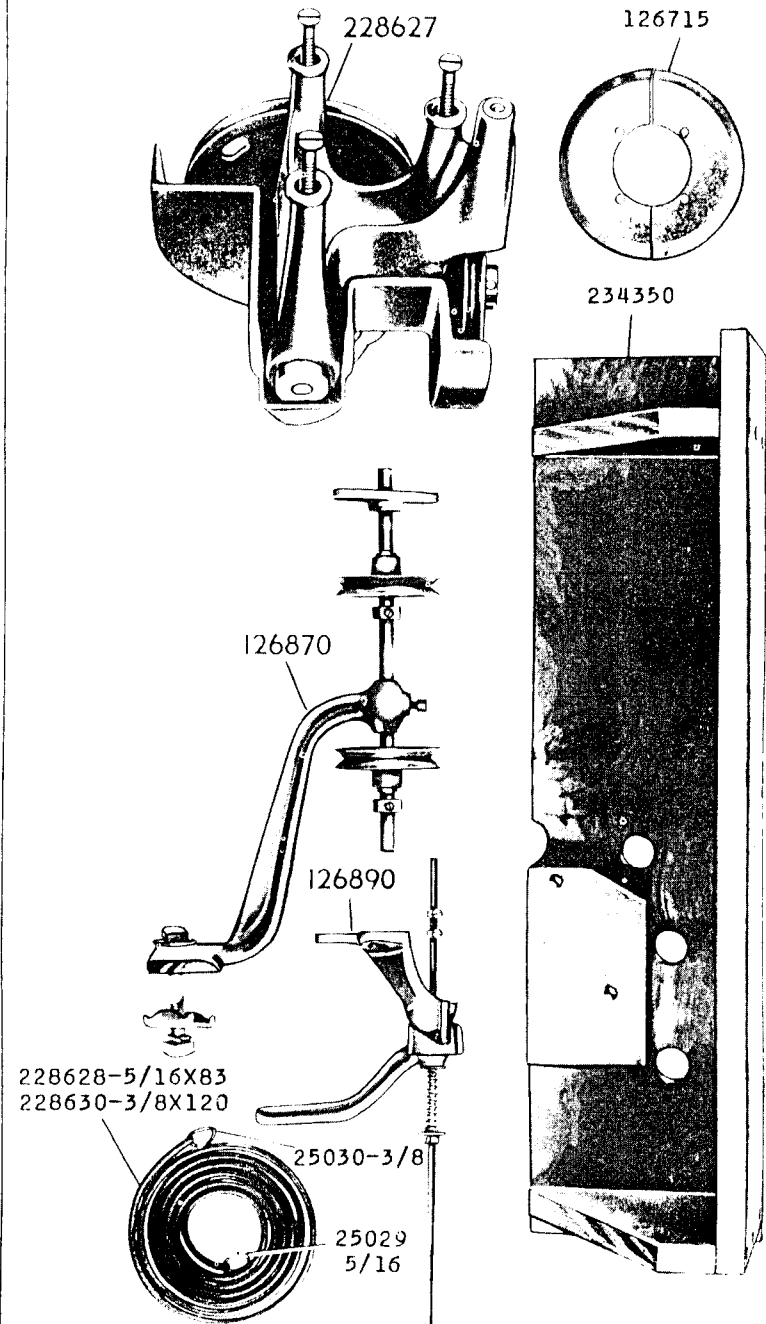
16395 - 1/6

228645



16396 - 1/6

228646



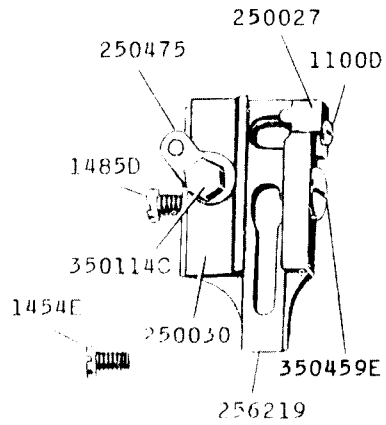
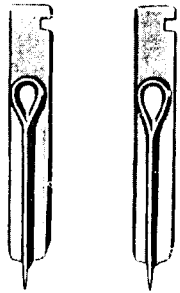




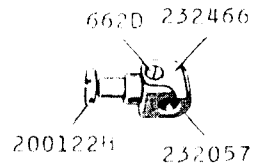
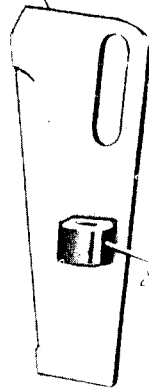


17401 - 2/3

- |           |           |
|-----------|-----------|
| 256653    | 256655    |
| .126X.200 | .140X.228 |
| 256654    | 256656    |
| .135X.228 | .140X.260 |

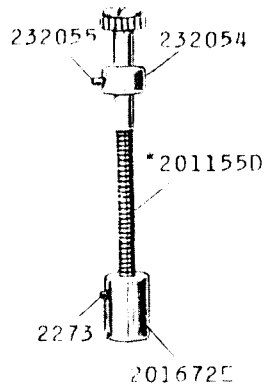


250039



232056

250538



256657

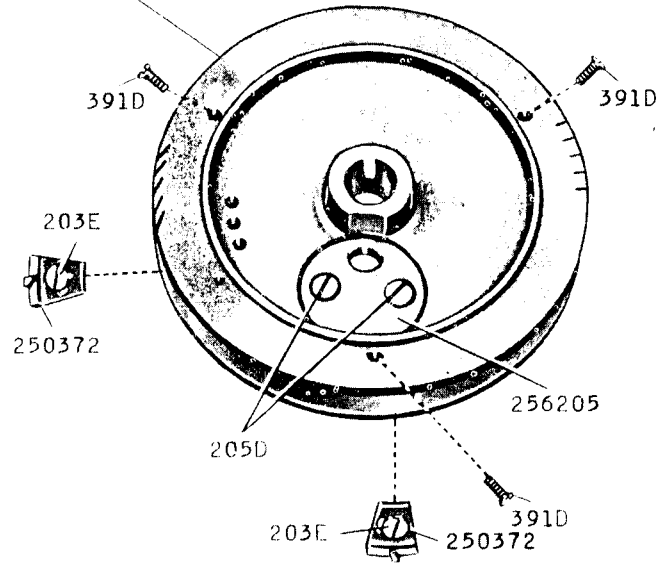


- |              |              |
|--------------|--------------|
| 256112-5/8   | 256175-5/8   |
| 256113-3/4   | 256104-3/4   |
| 256176-7/8   | 256105-7/8   |
| 256114-1     | 256106-1     |
| 256115-1 1/8 | 256107-1 1/8 |
| 256116-1 1/4 | 256108-1 1/4 |
| 256117-1 3/8 | 256109-1 3/8 |
| 256118-1 1/2 | 256110-1 1/2 |
| 256119-1 5/8 | 256111-1 5/8 |

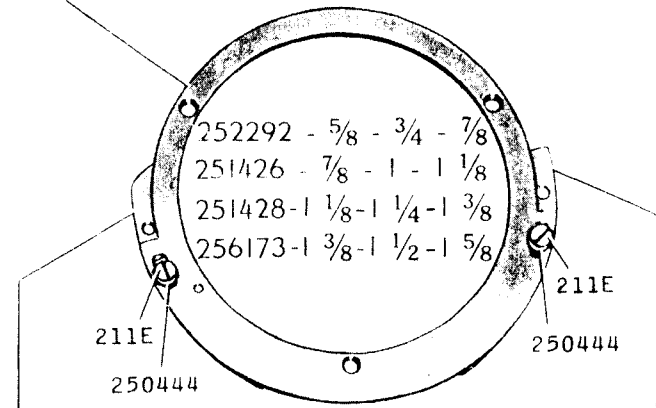


17402 - 1/2

- |        |  |
|--------|--|
| 256124 | 256125 - 5/8 - 3/4 - 7/8 (L & M)       |
| 256126 | 256127 - 7/8 - 1 - 1 1/8 (L & M)       |
| 256128 | 256129 - 1 1/8 - 1 1/4 - 1 3/8 (L & M) |
| 256130 | 256131 - 1 3/8 - 1 1/2 - 1 5/8 (L & M) |

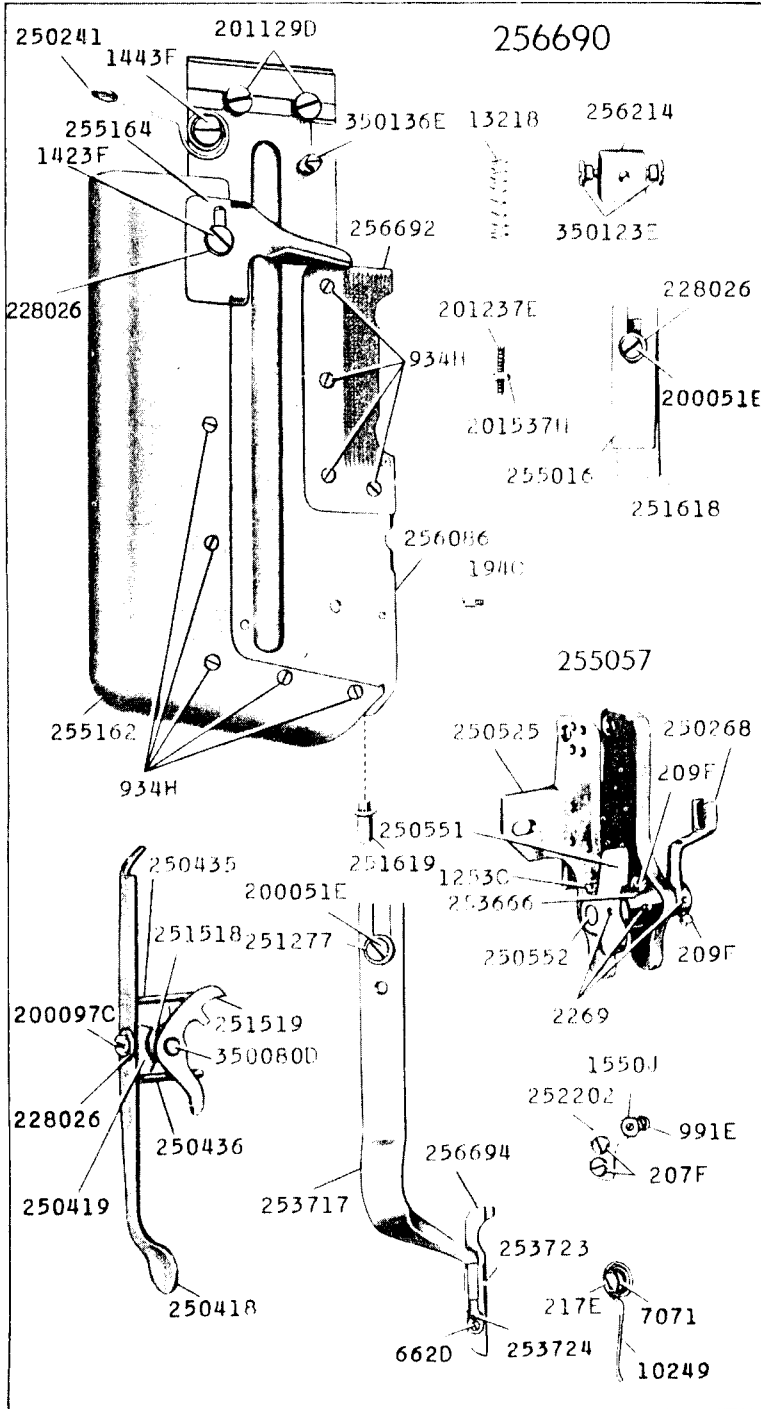


- |        |                       |
|--------|-----------------------|
| 252258 | 5/8 - 3/4 - 7/8       |
| 251494 | 7/8 - 1 - 1 1/8       |
| 251496 | 1 1/8 - 1 1/4 - 1 3/8 |
| 252265 | 1 3/8 - 1 1/2 - 1 5/8 |

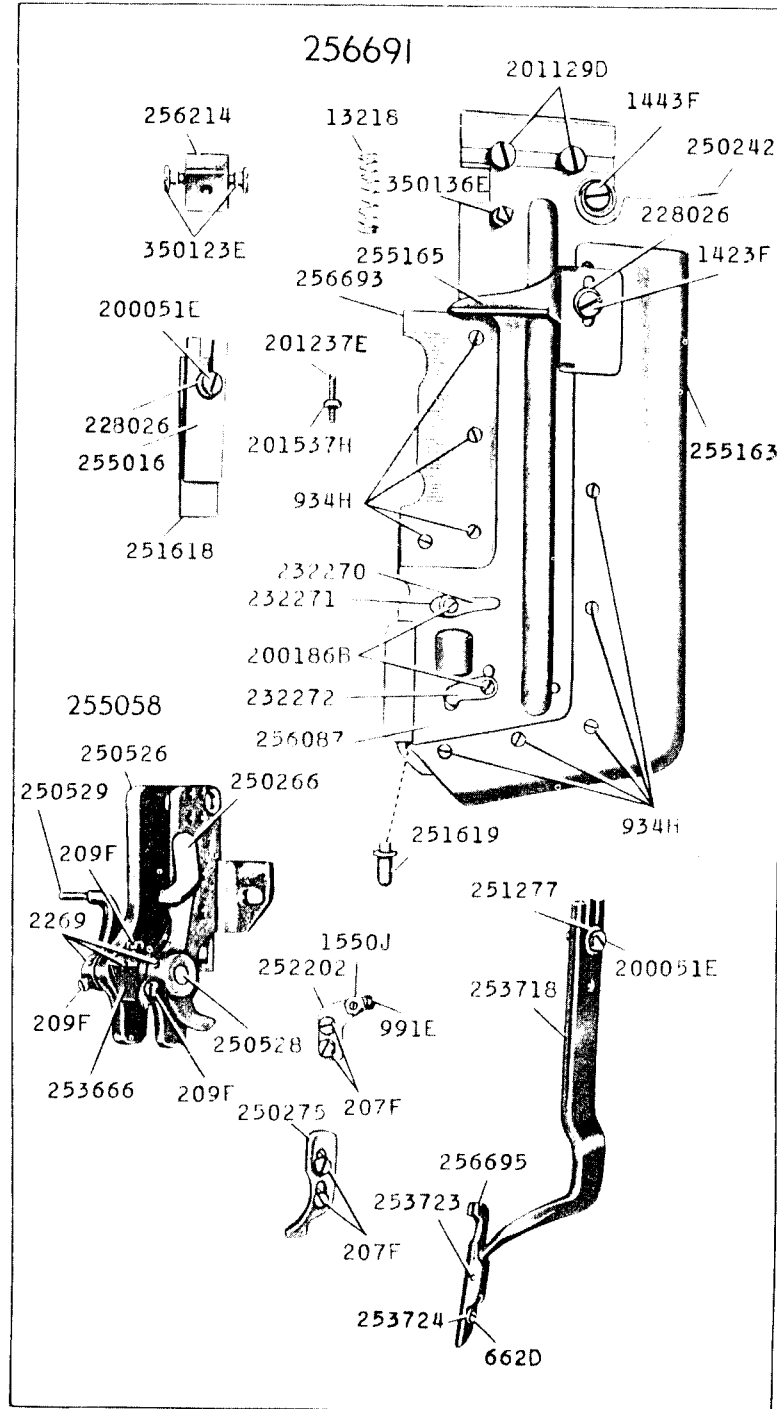


- |        |   |        |
|--------|---|--------|
| 252275 | 5/8 - 3/4 - 7/8                                 | 252276 |
| 252662 | 7/8 - 1 - 1 1/8 - 1 1/4 - 1 3/8 - 1 1/2 - 1 5/8 | 252663 |

17403 - 3/8

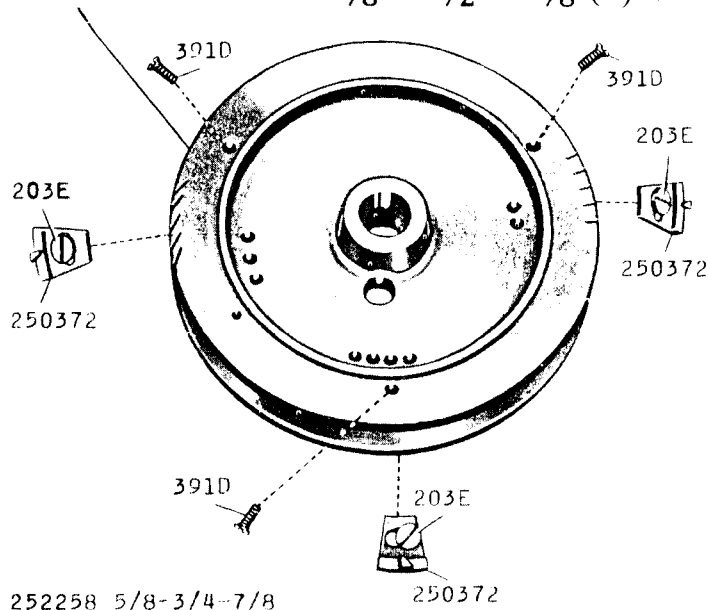


17404 - 3/8

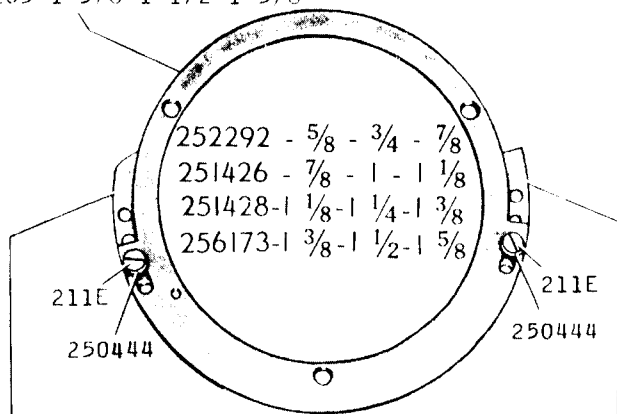


17405 - 1/2

- 256132 256133 - 5/8 - 3/4 - 7/8 (L) & ST
- 256134 256135 - 7/8 - 1 - 1 1/8 (L) & ST
- 256136 256137 - 1 1/8 - 1 1/4 - 1 3/8 (L) & ST
- 256138 256139 - 1 3/8 - 1 1/2 - 1 5/8 (L) & ST



- 252258 5/8-3/4-7/8
- 251494 7/8-1-1 1/8
- 251496 1 1/8-1 1/4-1 3/8
- 252265 1 3/8-1 1/2-1 5/8

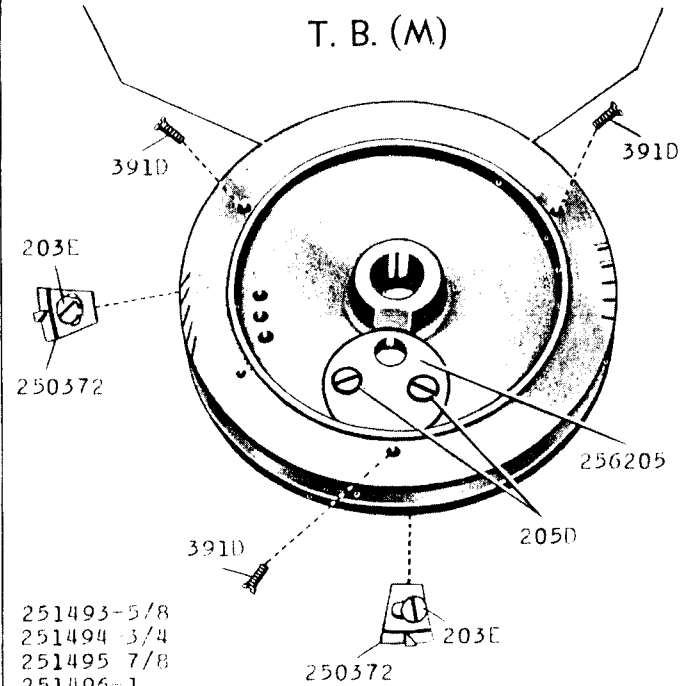


- 252275 5/8-3/4-7/8 252276
- 252662 7/8 to 1-5/8 252663

17406 - 1/2

- |        |              |                |        |
|--------|--------------|----------------|--------|
| 256658 | 256659 - 5/8 | 256667 - 1 1/8 | 256666 |
| 256660 | 256661 - 3/4 | 256669 - 1 1/4 | 256668 |
| 256662 | 256663 - 7/8 | 256671 - 1 3/8 | 256670 |
| 256664 | 256665 - 1   | 256673 - 1 1/2 | 256672 |

T. B. (M)



- 251493-5/8
- 251494-3/4
- 251495 7/8
- 251496-1
- 252264-1 1/8
- 252265-1 1/4-1 3/8-1 1/2

