

SINGER
99W132

Form 2554w

(1040)

Printed in U. S. A.

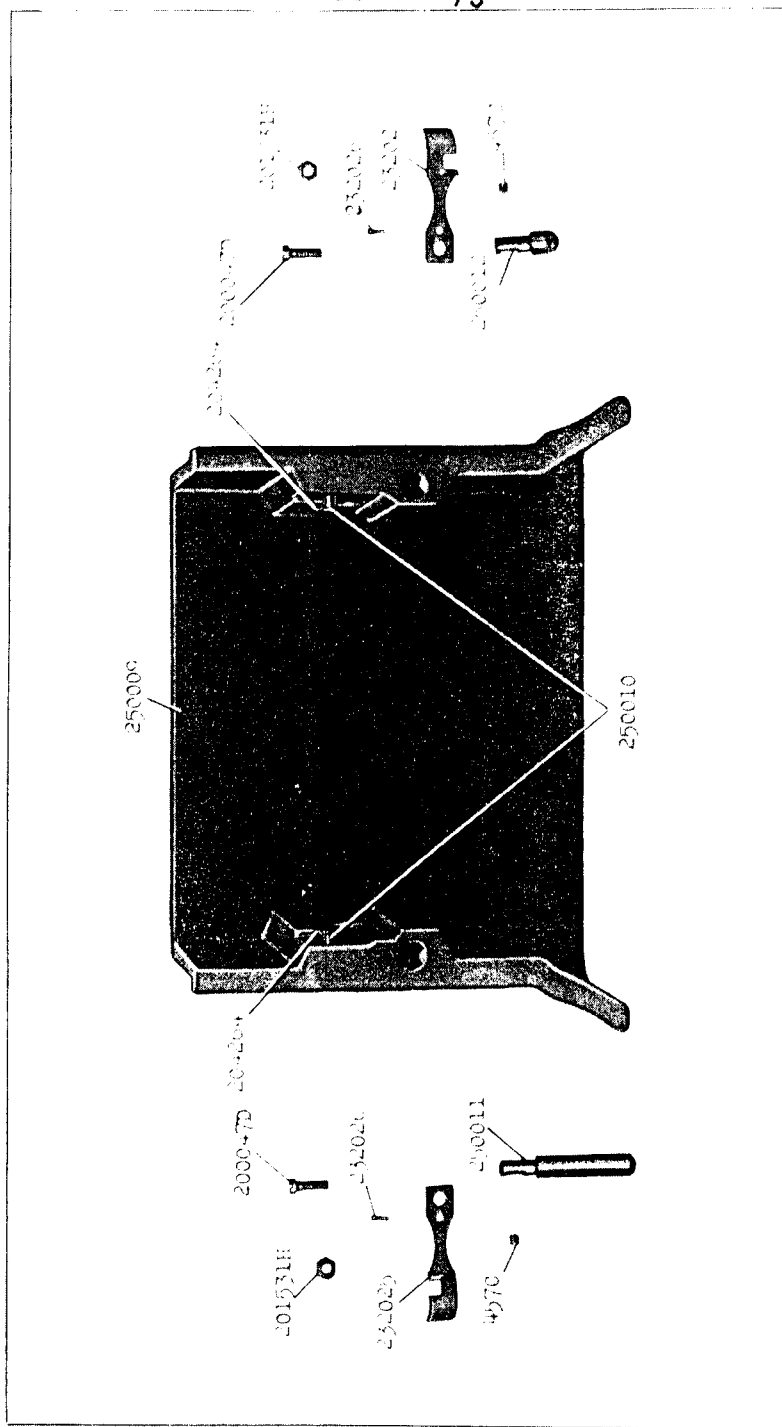
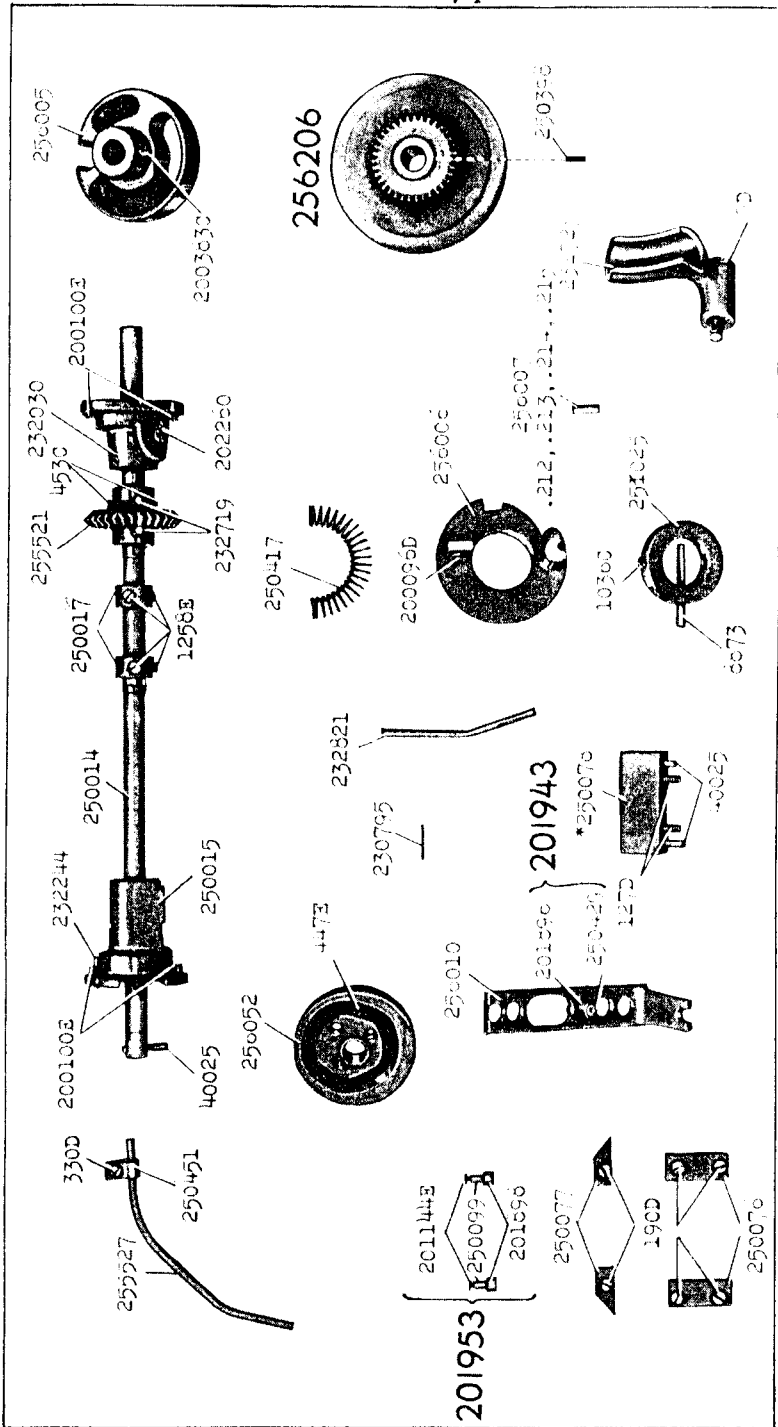
Book Cabinet

SINGER

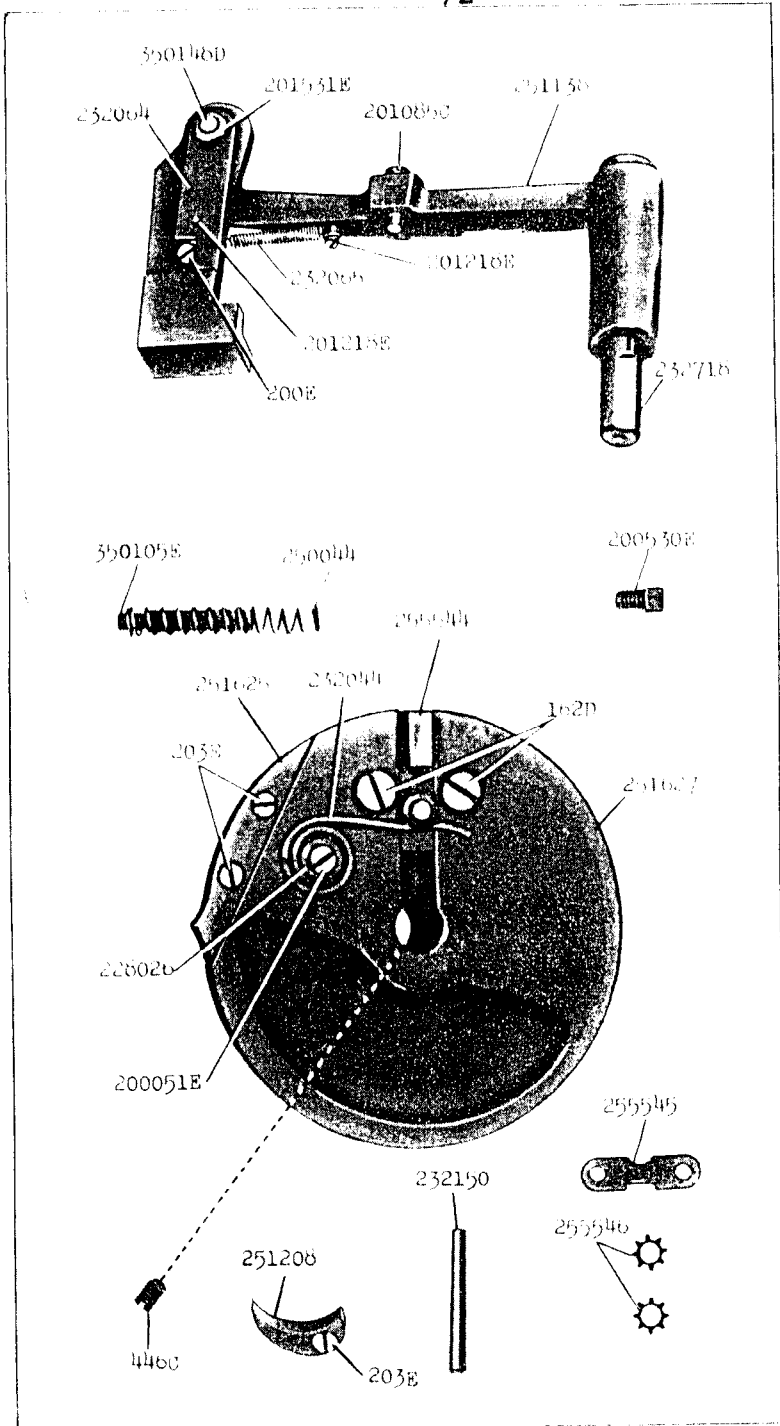
99 w 132



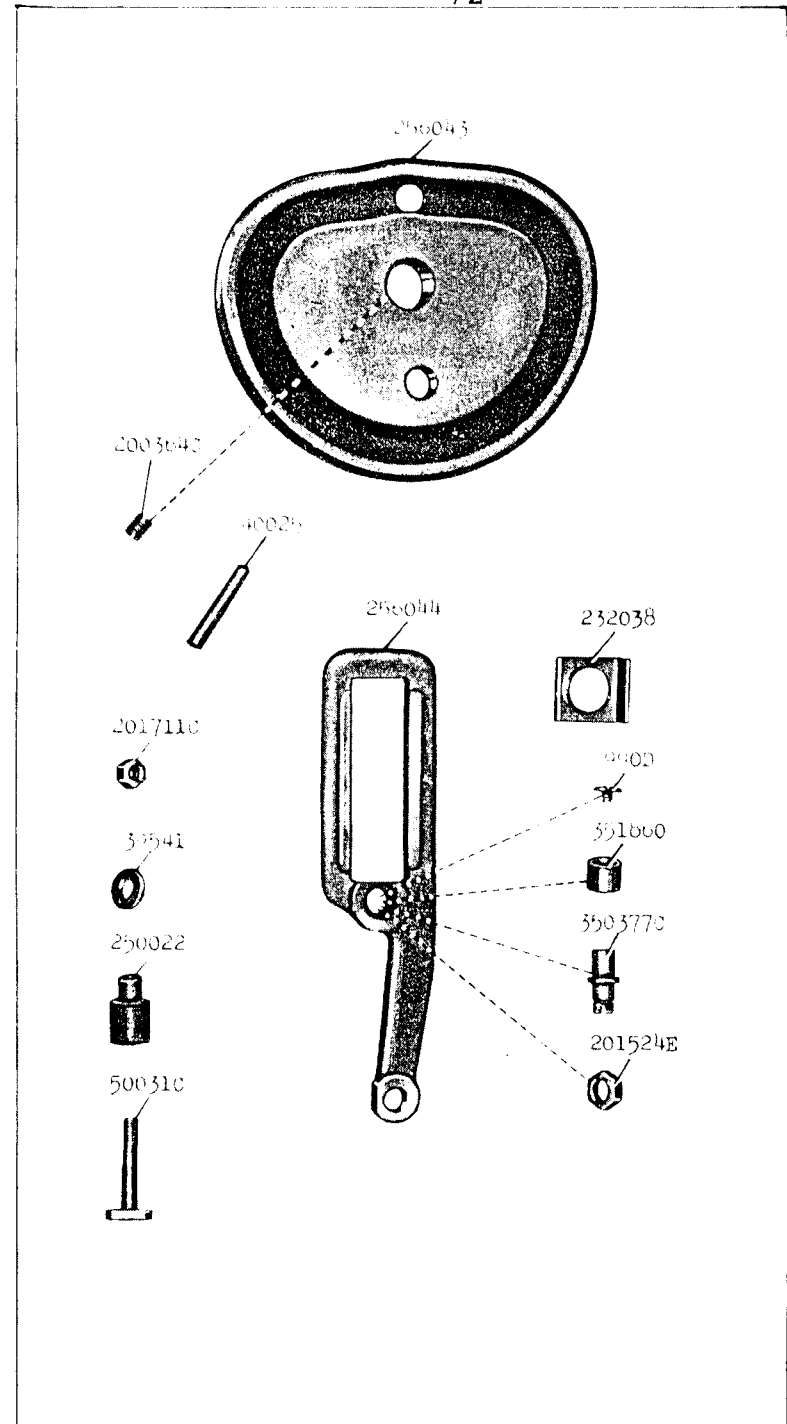
THE SINGER MANUFACTURING COMPANY



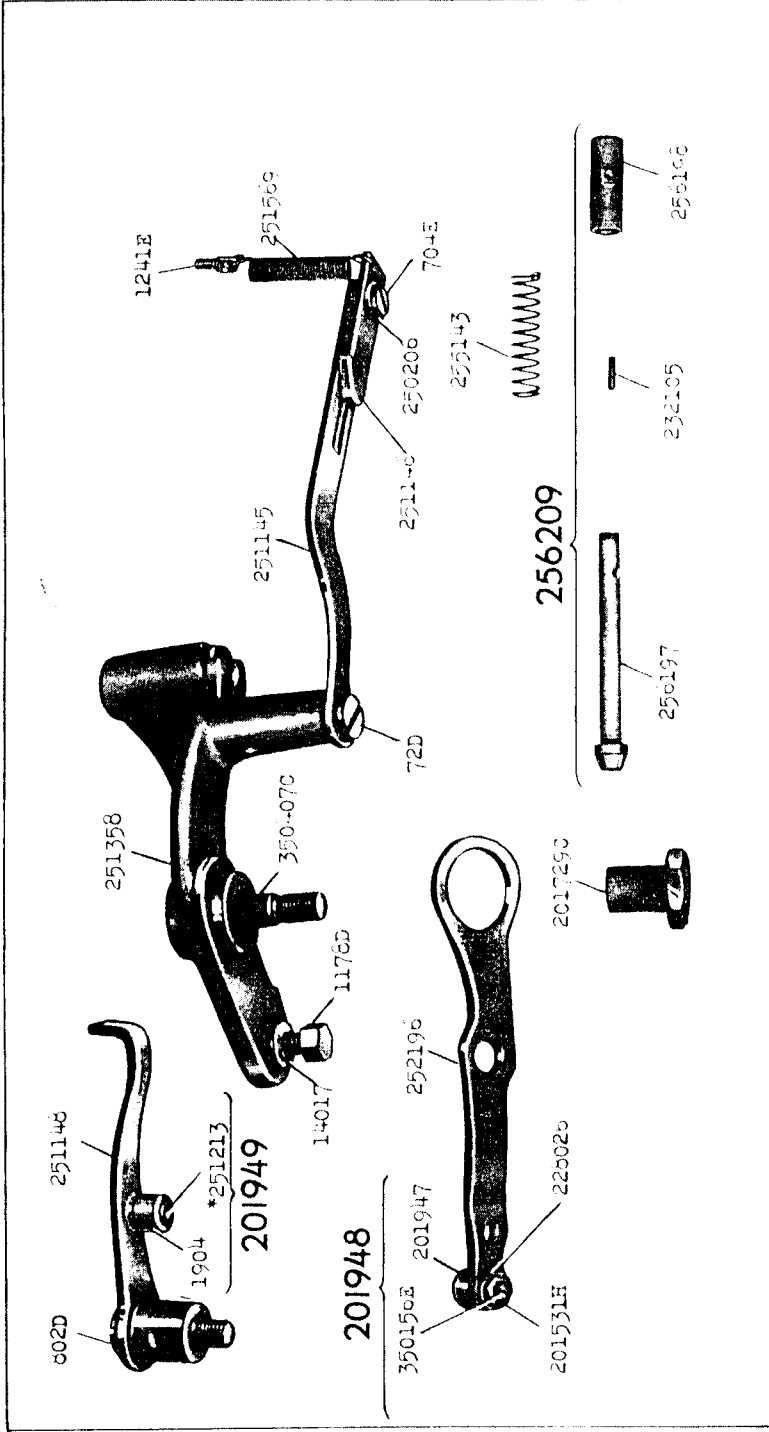
16354 - 1/2



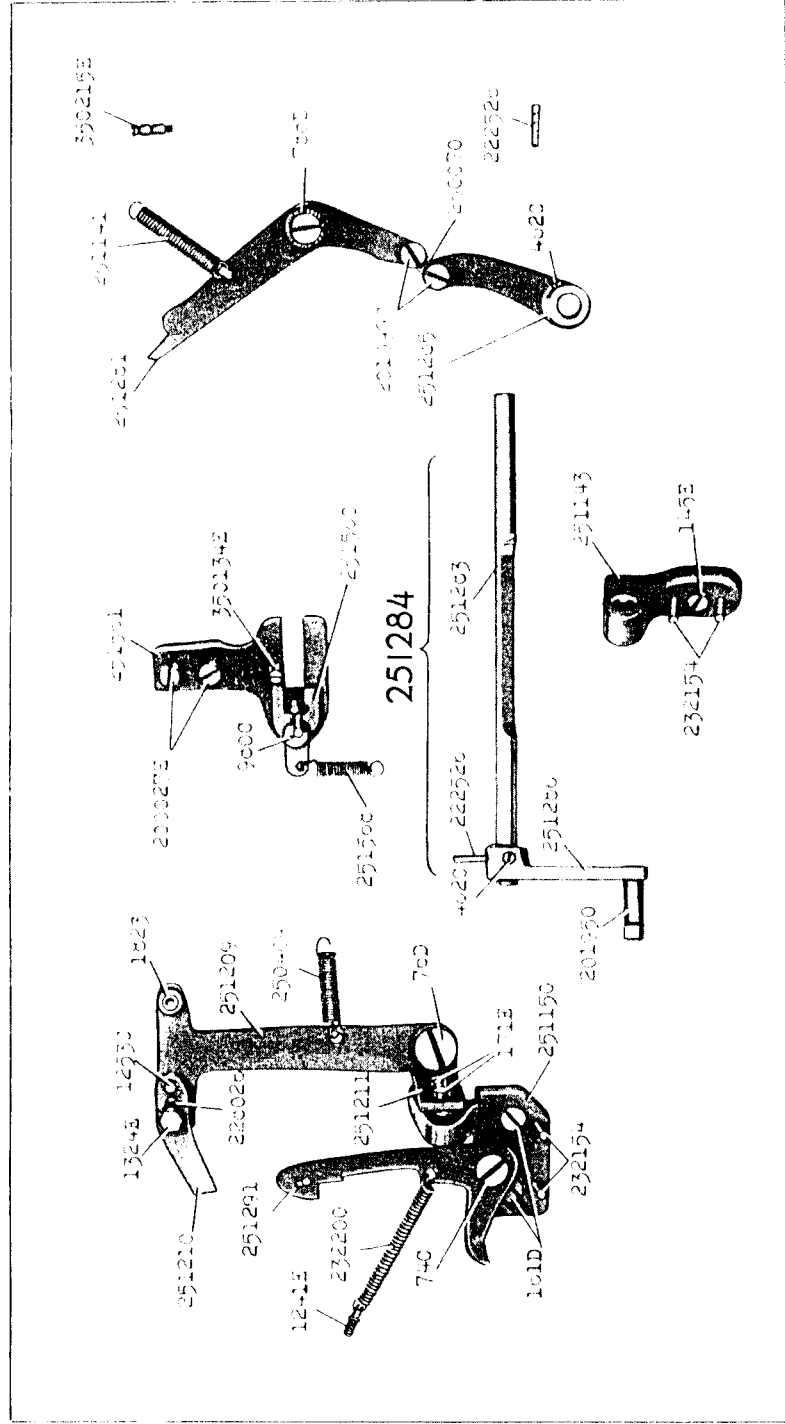
16356 - 1/2



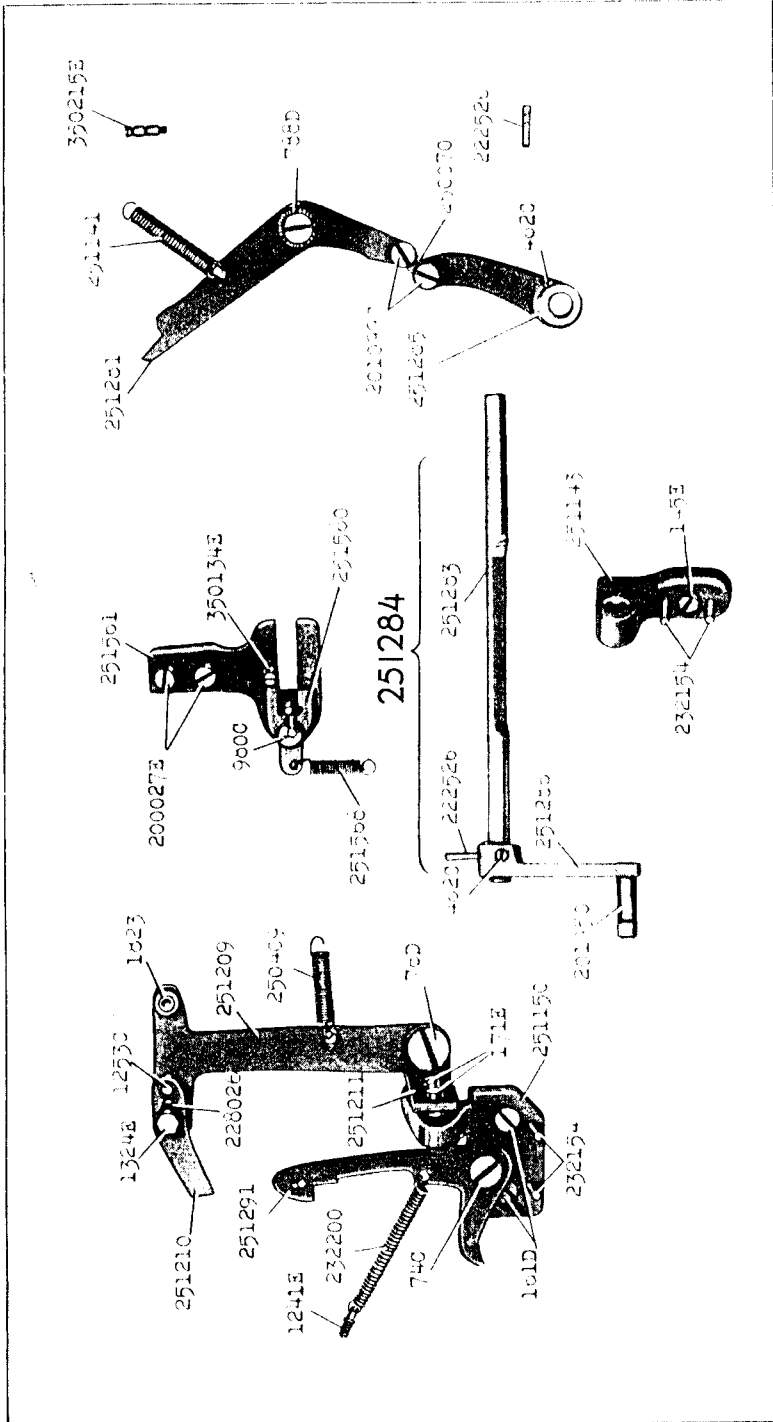
16357 - 1/2



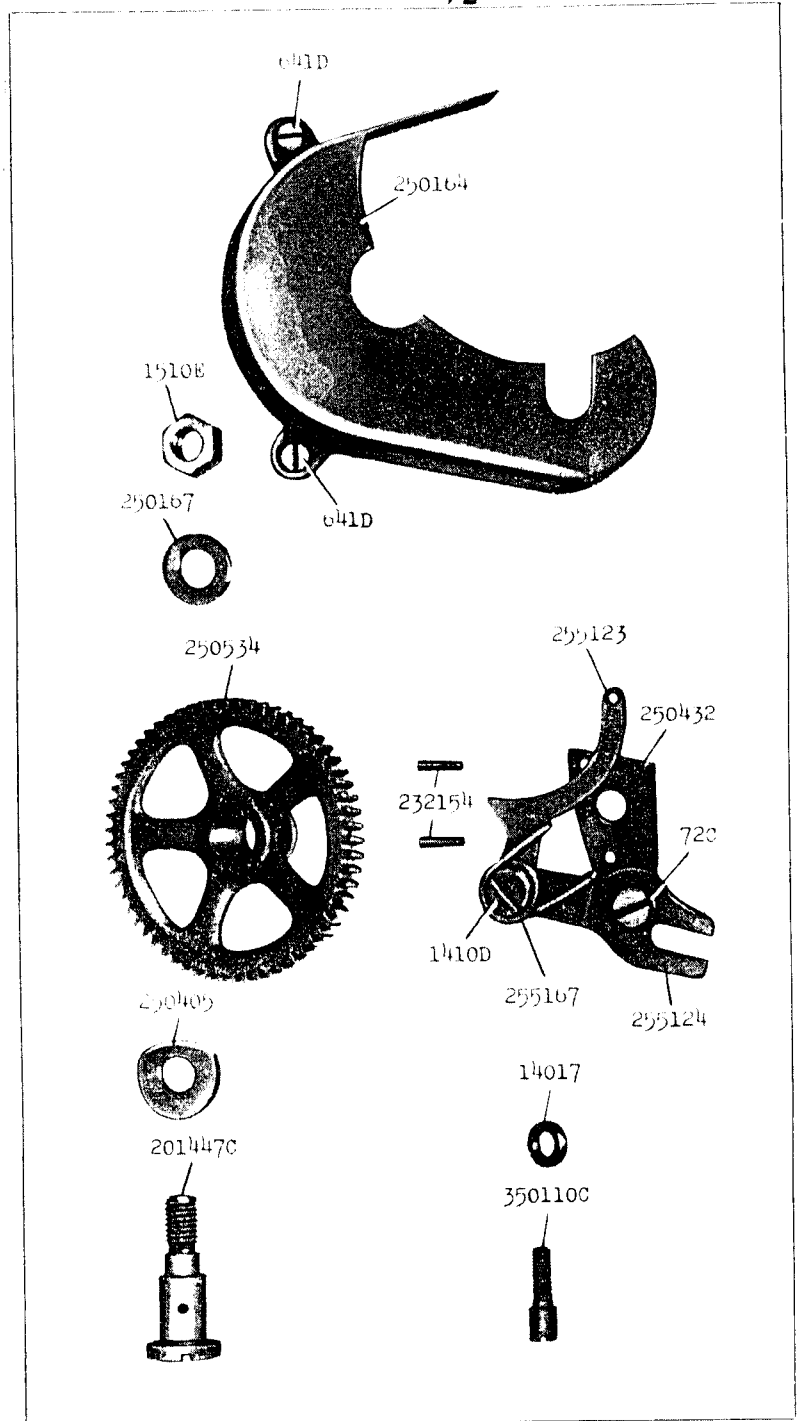
16359 - 3/8



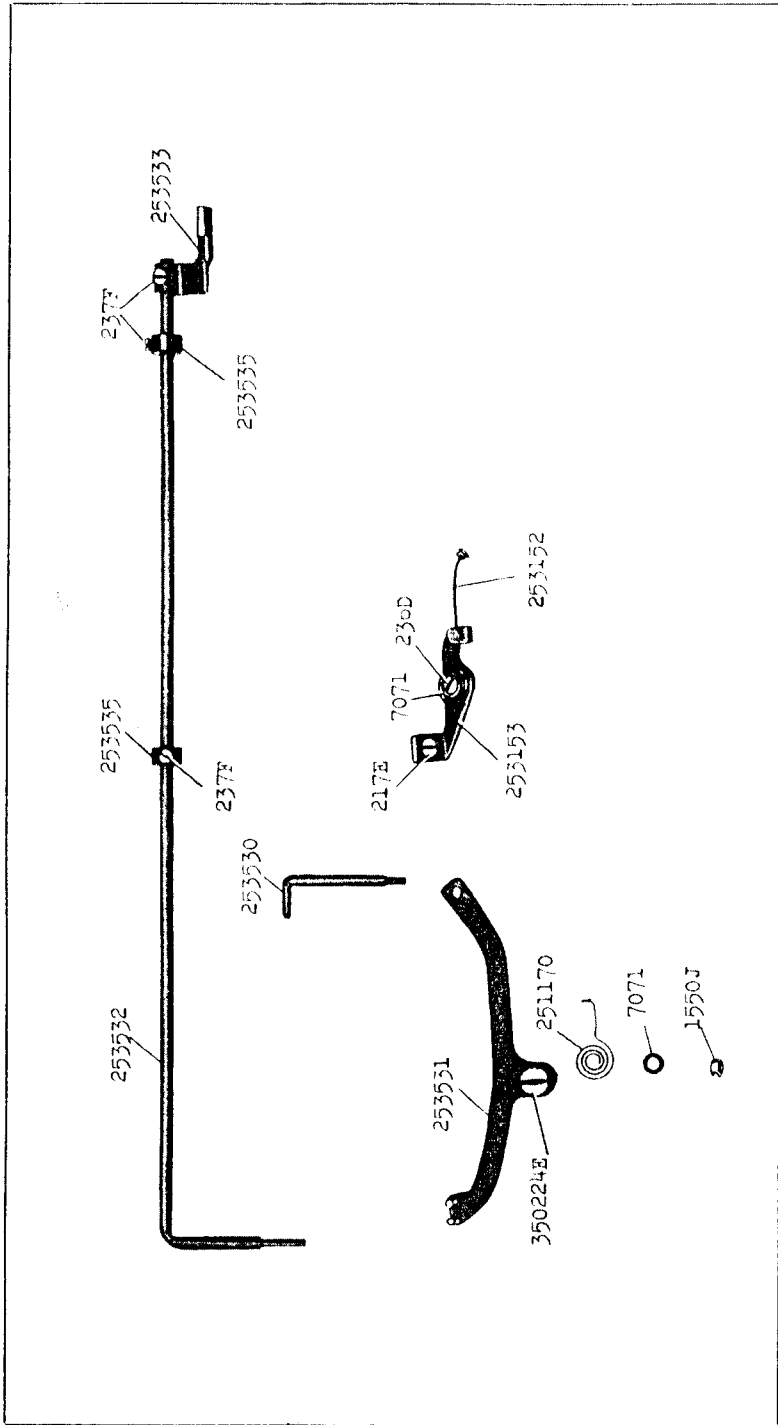
16359 - 3/8



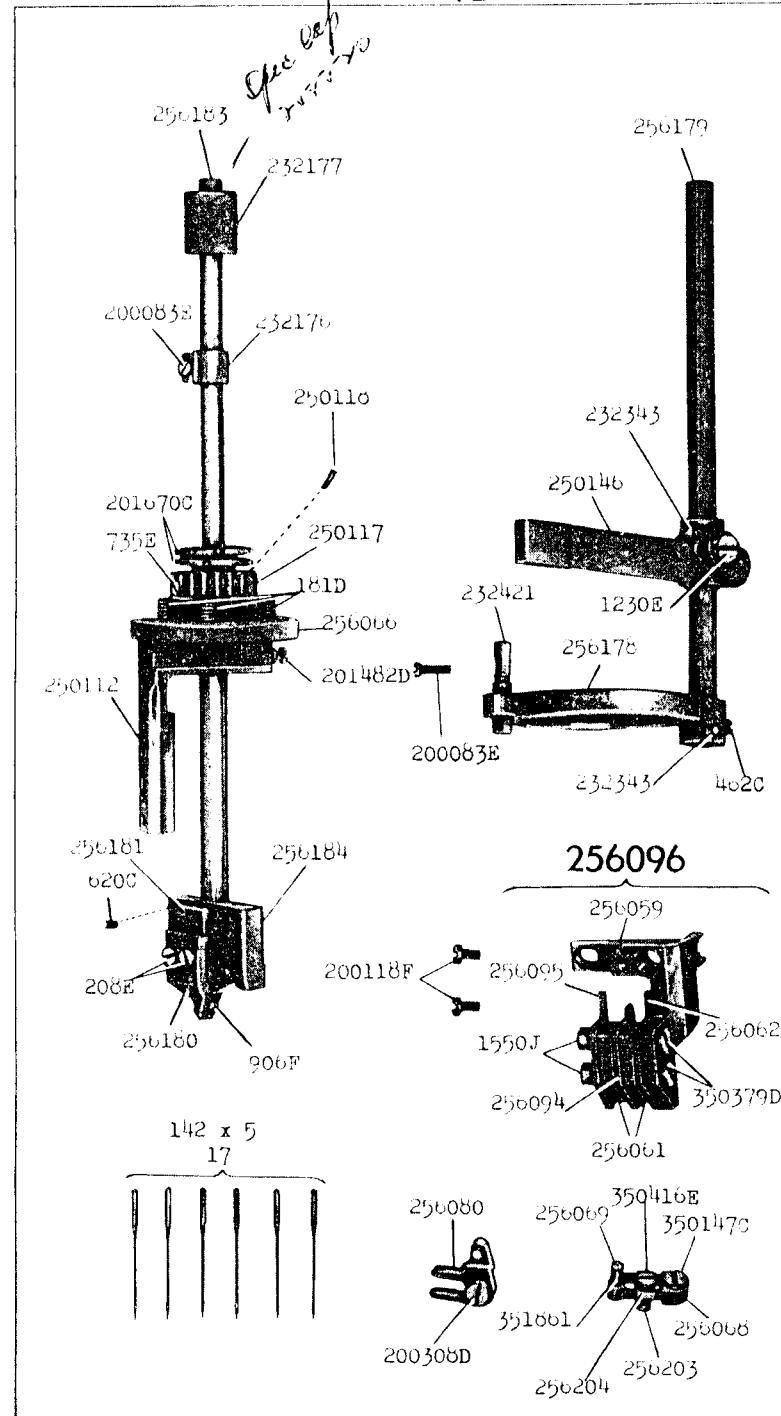
16364 - 1/2



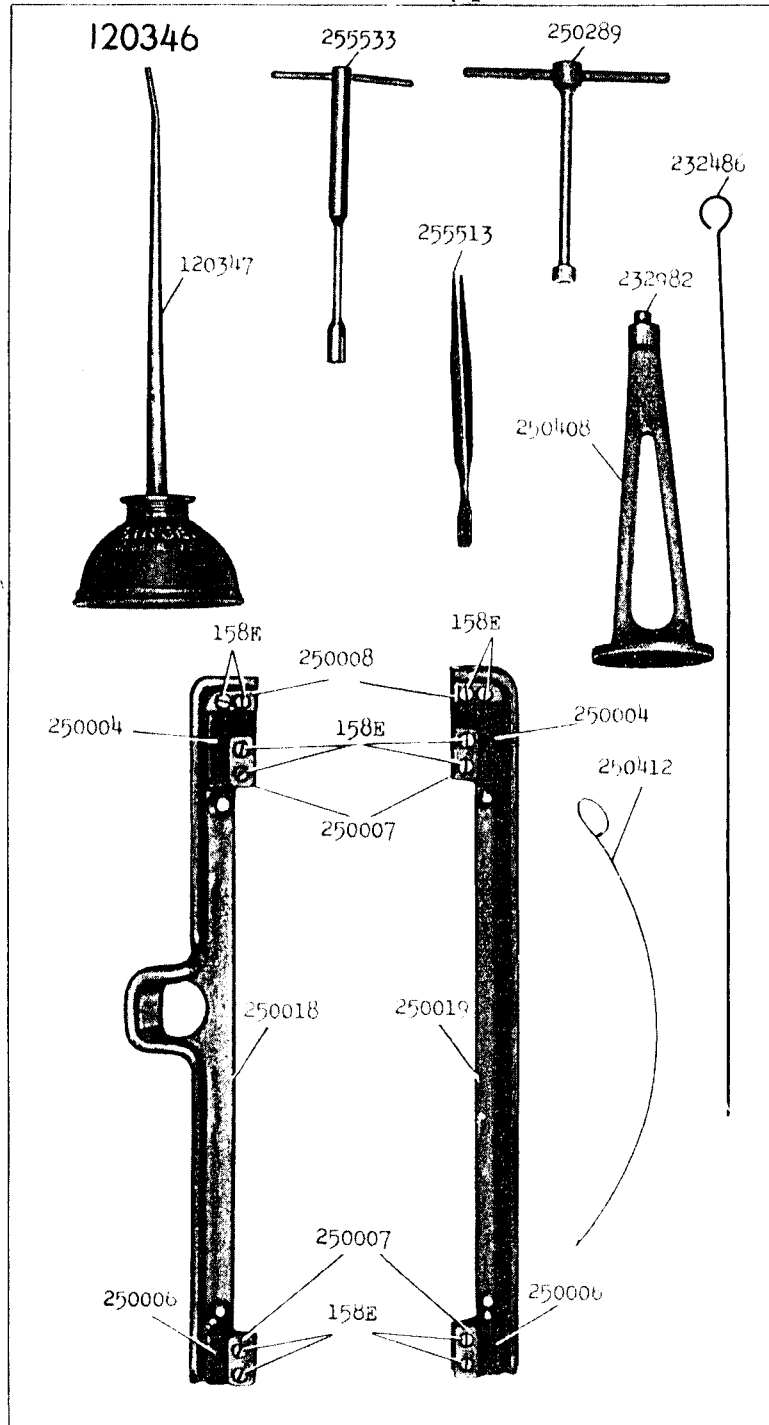
16369 - 3/8



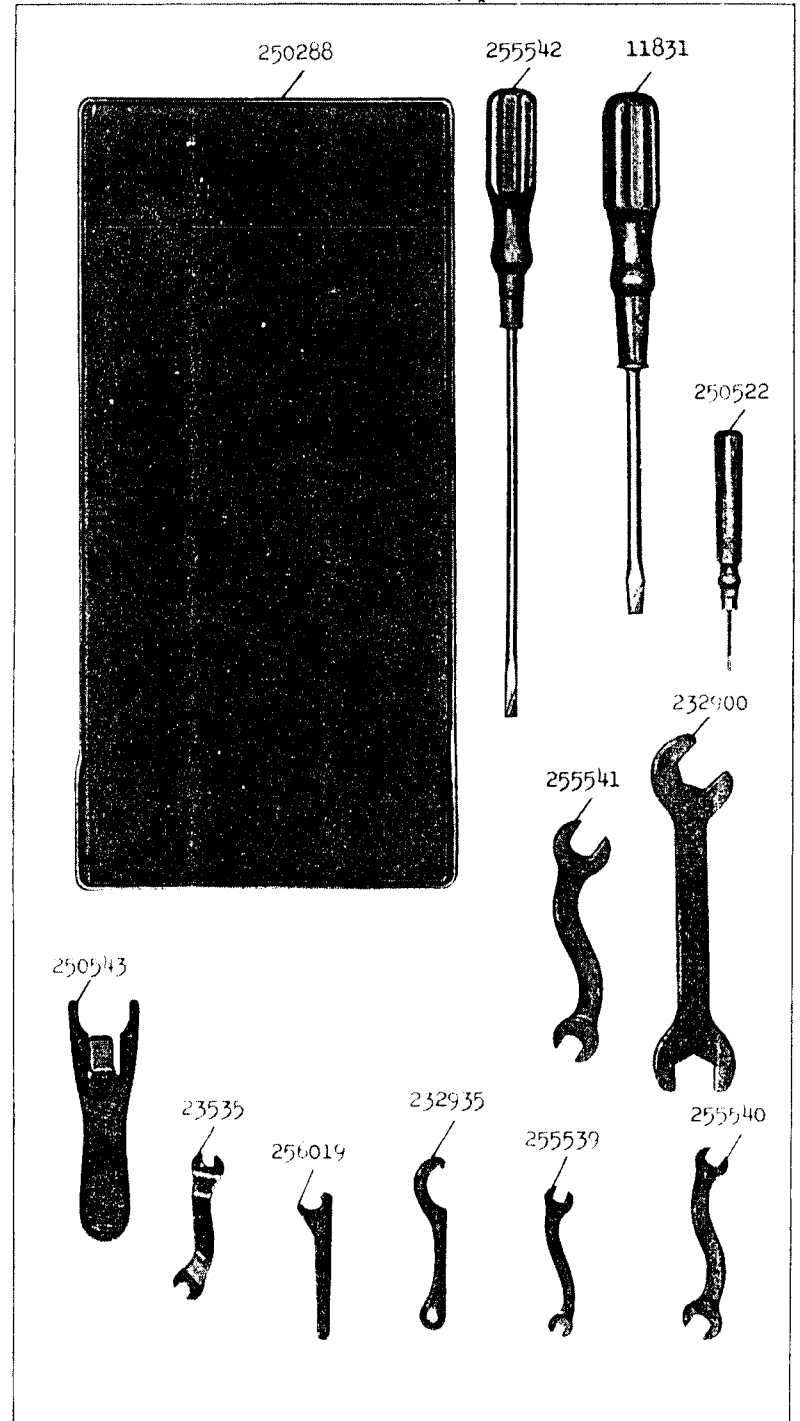
16370 - 1/2



16382 - 1/4

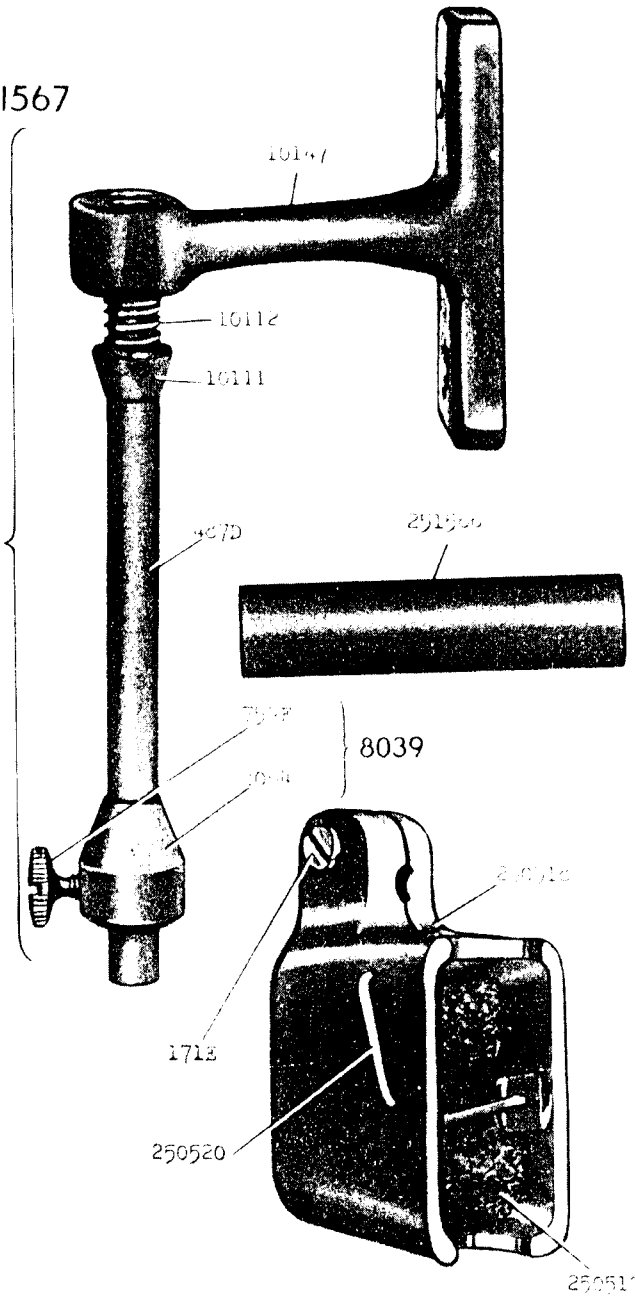


16383 - 1/4



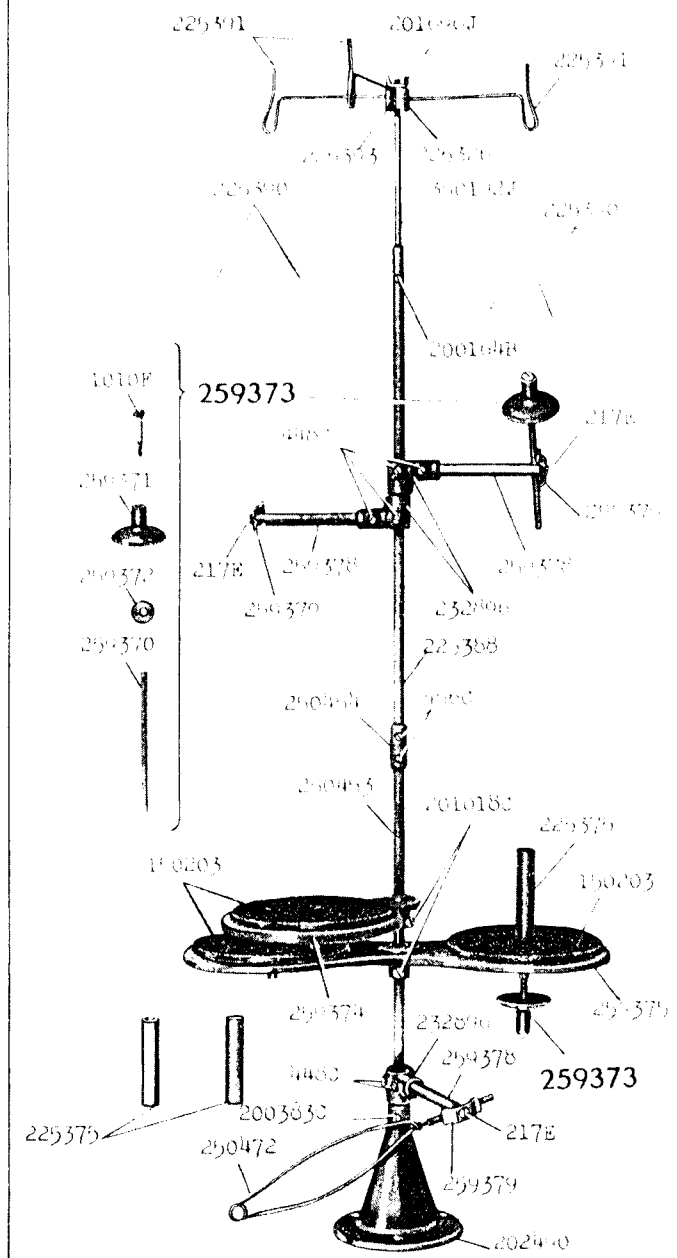
16384

251567



16385 - 1/6

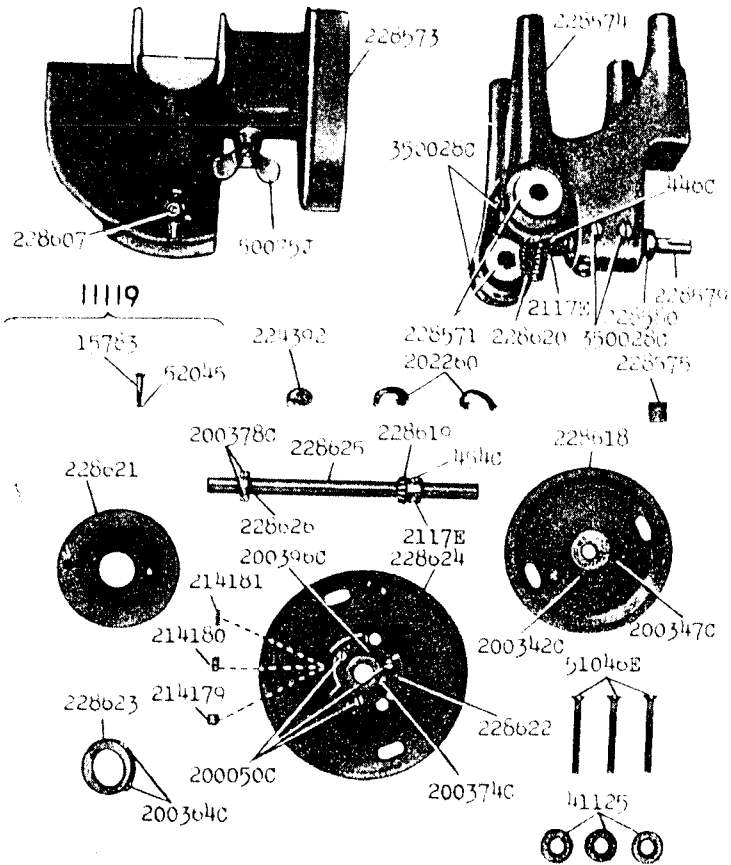
225376



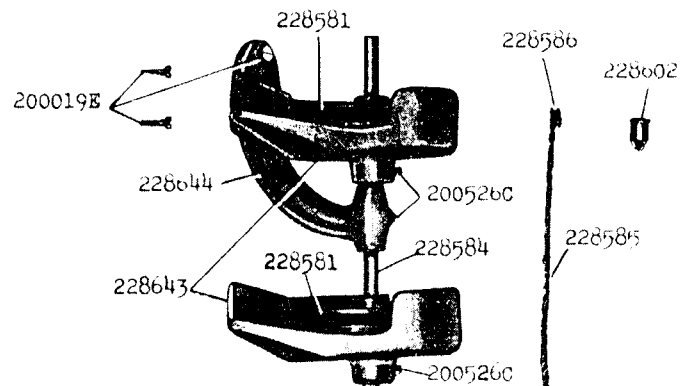
16386 - 1/6

228578

228627

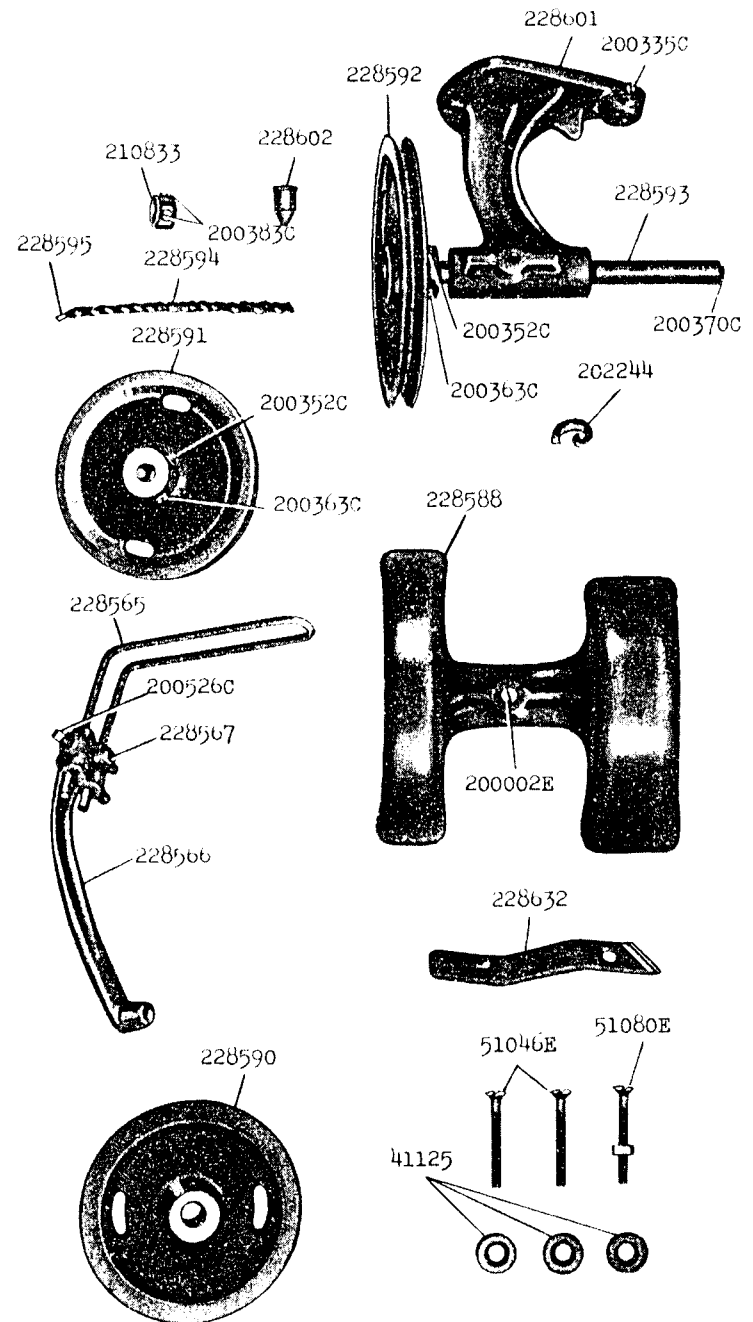


228587



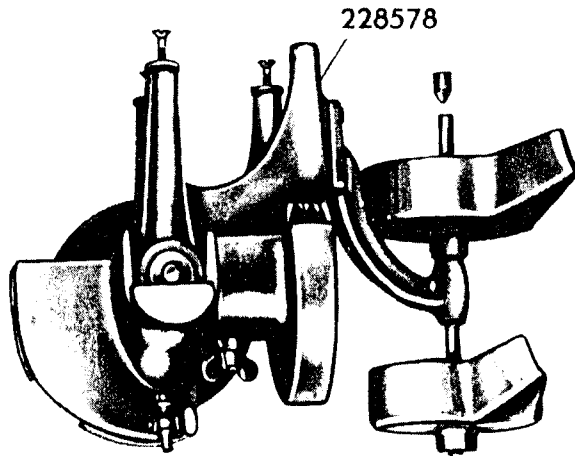
16387 - 1/5

228596



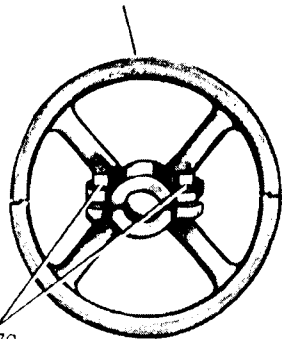
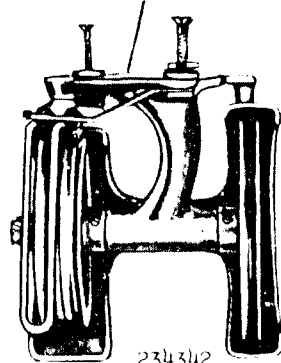
16388 - 1/6

228599

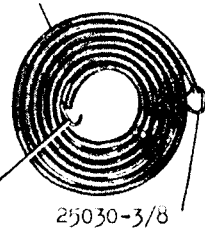
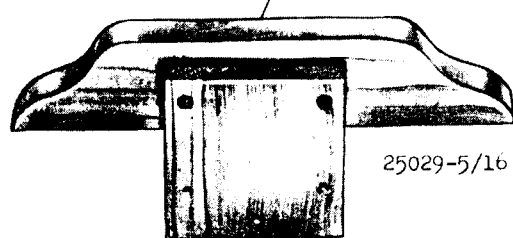


- | | |
|--------------|--------------|
| 27271-4 | 27068-8 |
| 232920-4-1/2 | 232882-8-1/2 |
| 27065-5 | 27069-9 |
| 232879-5-1/2 | 232883-9-1/2 |
| 27066-6 | 27070-10 |
| 232880-6-1/2 | 27072-12 |
| 27067-7 | 27074-14 |
| 232881-7-1/2 | 27075-15 |

228596

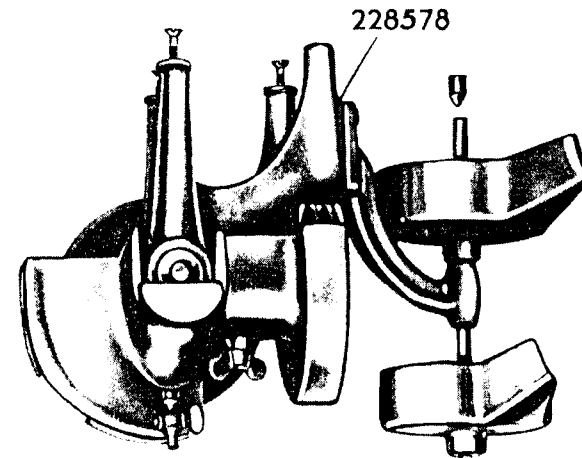


228628-5/16 x 83
228631-3/8 x 133



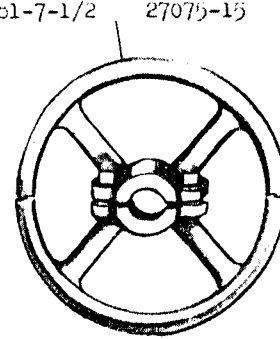
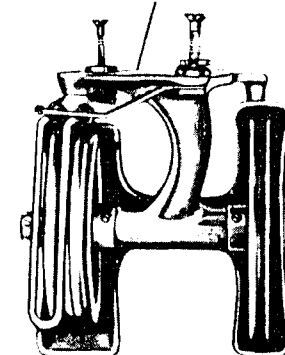
16389 - 1/6

228609

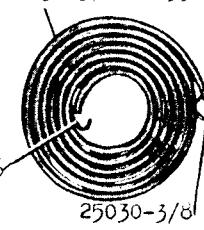
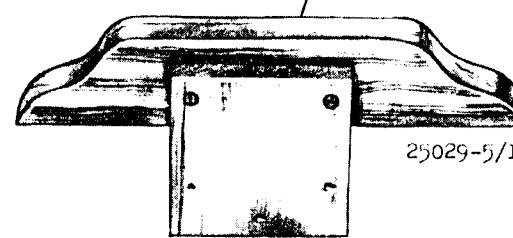


- | | |
|--------------|--------------|
| 27271-4 | 27068-8 |
| 232920-4-1/2 | 232882-8-1/2 |
| 27065-5 | 27069-9 |
| 232879-5-1/2 | 232883-9-1/2 |
| 27066-6 | 27070-10 |
| 232880-6-1/2 | 27072-12 |
| 27067-7 | 27074-14 |
| 232881-7-1/2 | 27075-15 |

228596

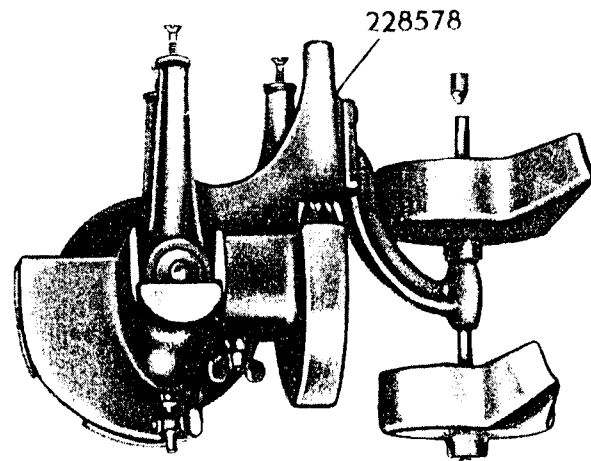


228628-5/16 x 83
228631-3/8 x 133

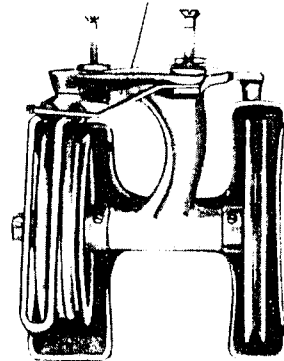


16390 - 1/6

228611



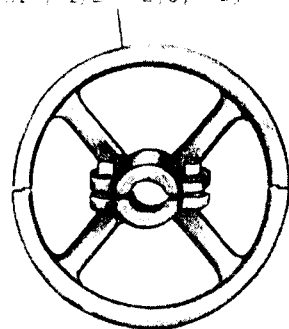
228596



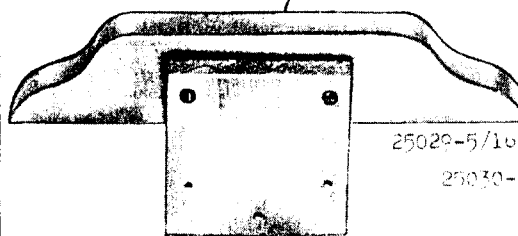
228610



228600-5/16 x 1.5
228611-5/16 x 1.53

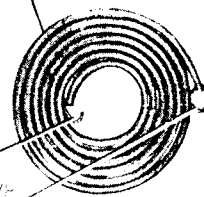


234344



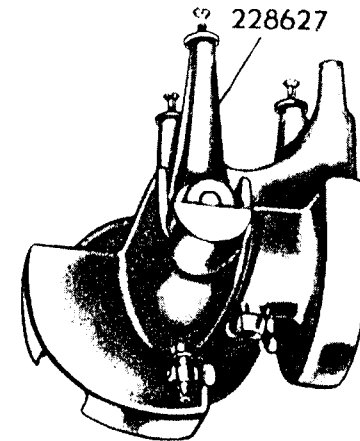
25029-5/16

25030-3/8

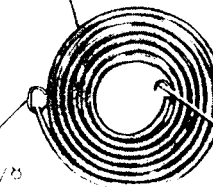


16391 - 1/6

228605



228620-5/16 x 1.5
228621-3/8 x 1.7

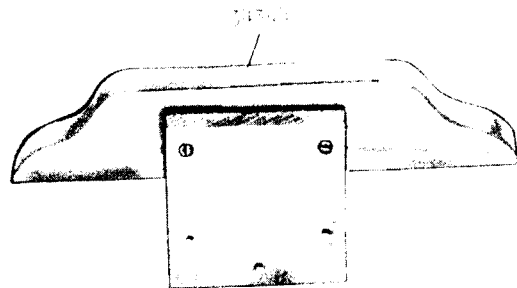
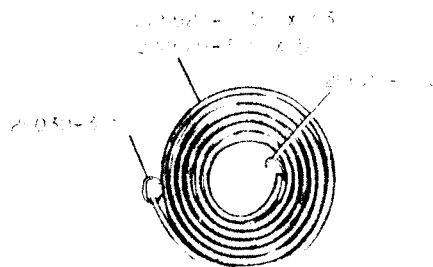
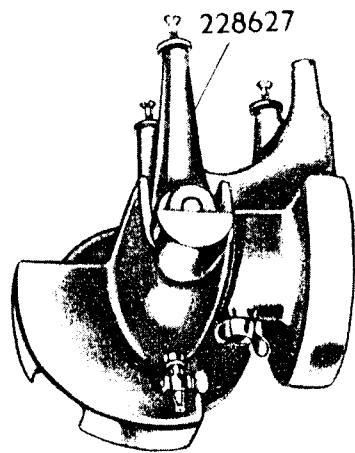


25030-3/8

25029-5/16

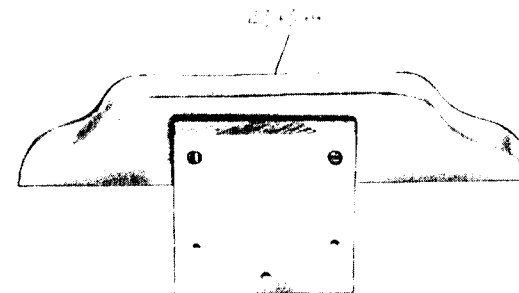
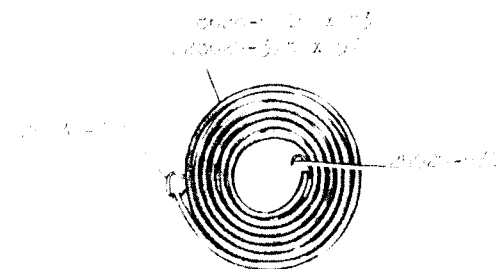
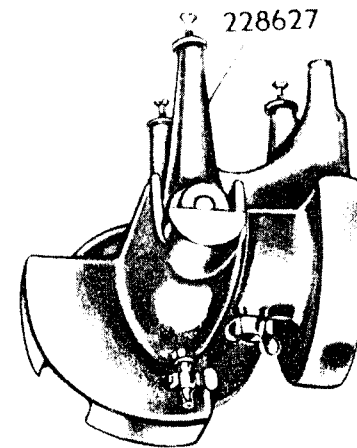
16392 - 1/6

228612

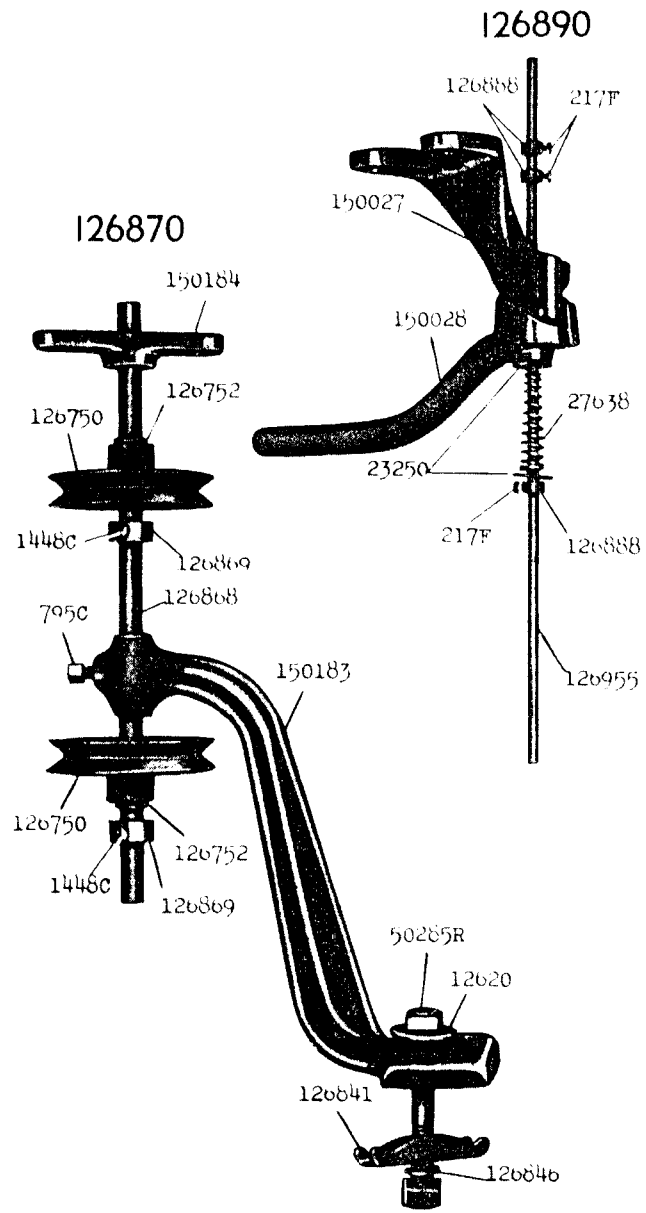


16393 - 1/6

228613

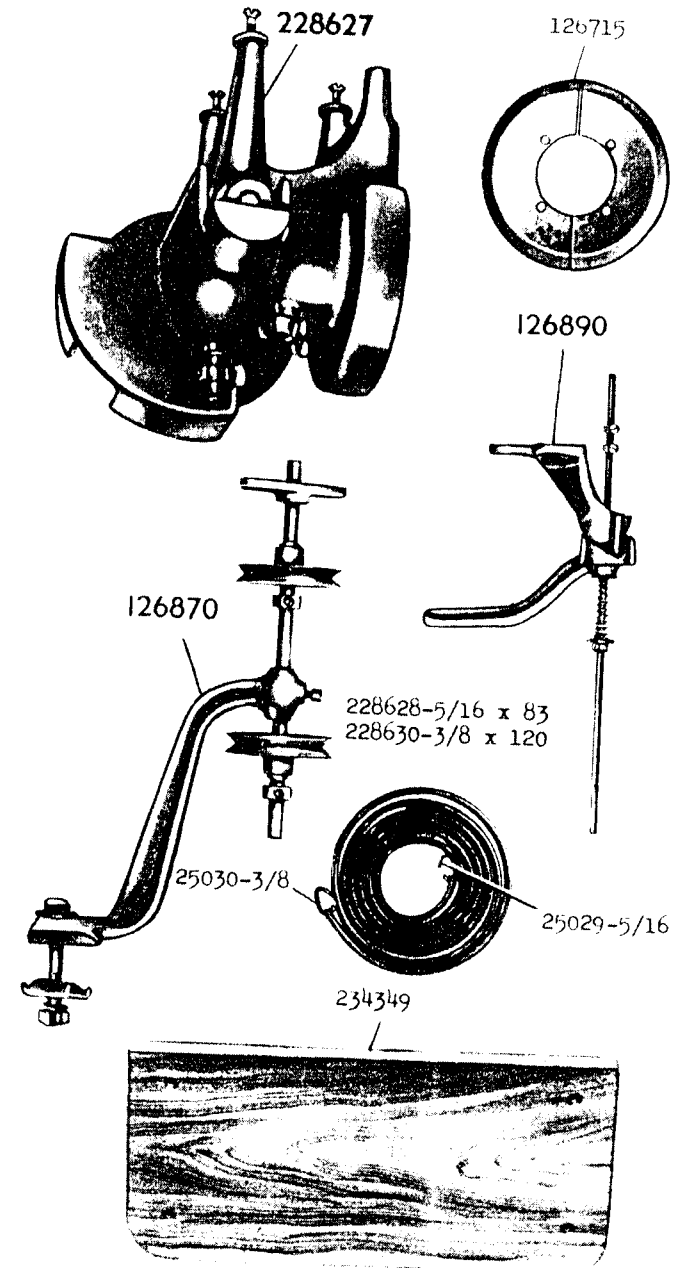


16394 - 1/4



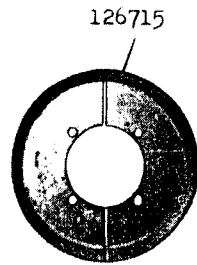
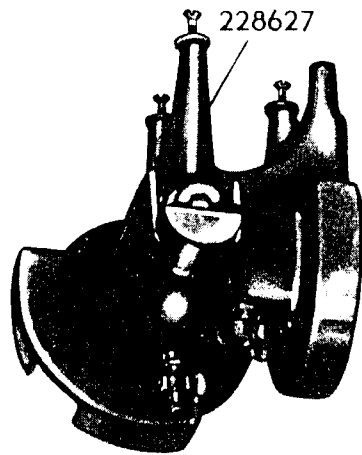
16395 - 1/6

228645



16396 - 1/6

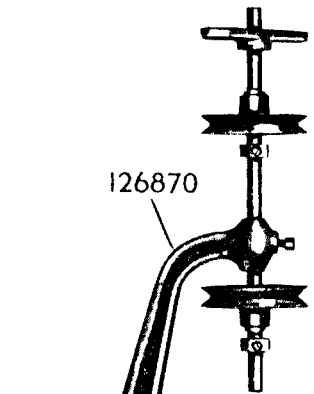
228646



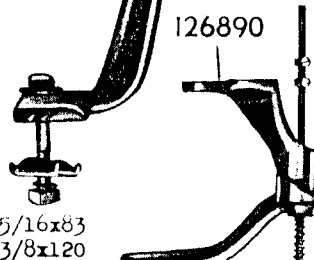
234350



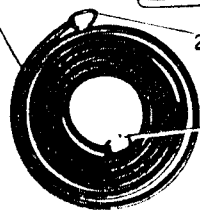
126870



126890



228628-5/16x83
228630-3/8x120

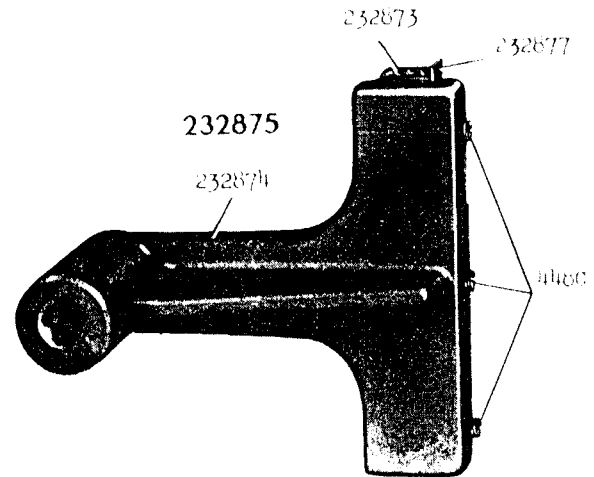


25030-3/8

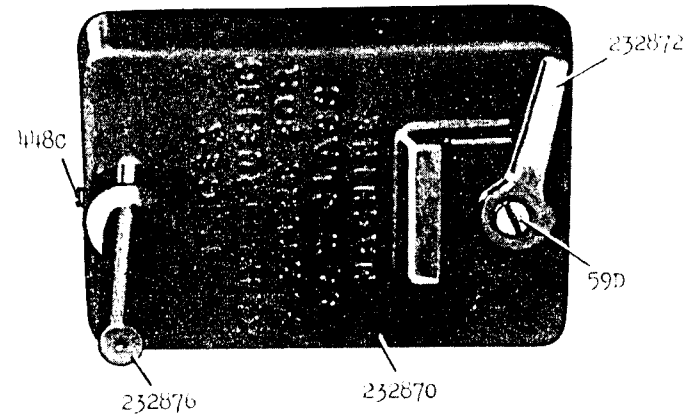
25029
5/16

16401 - 1/2

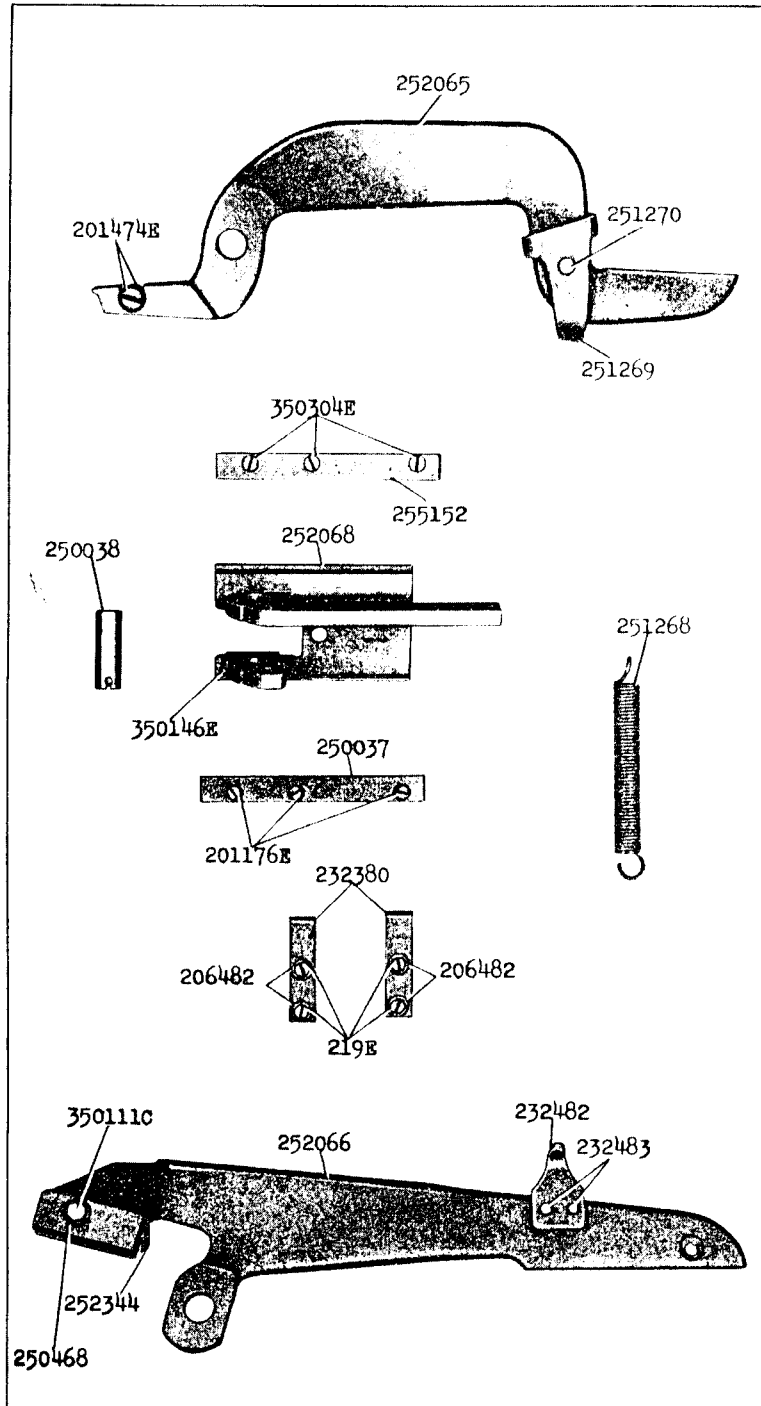
232878



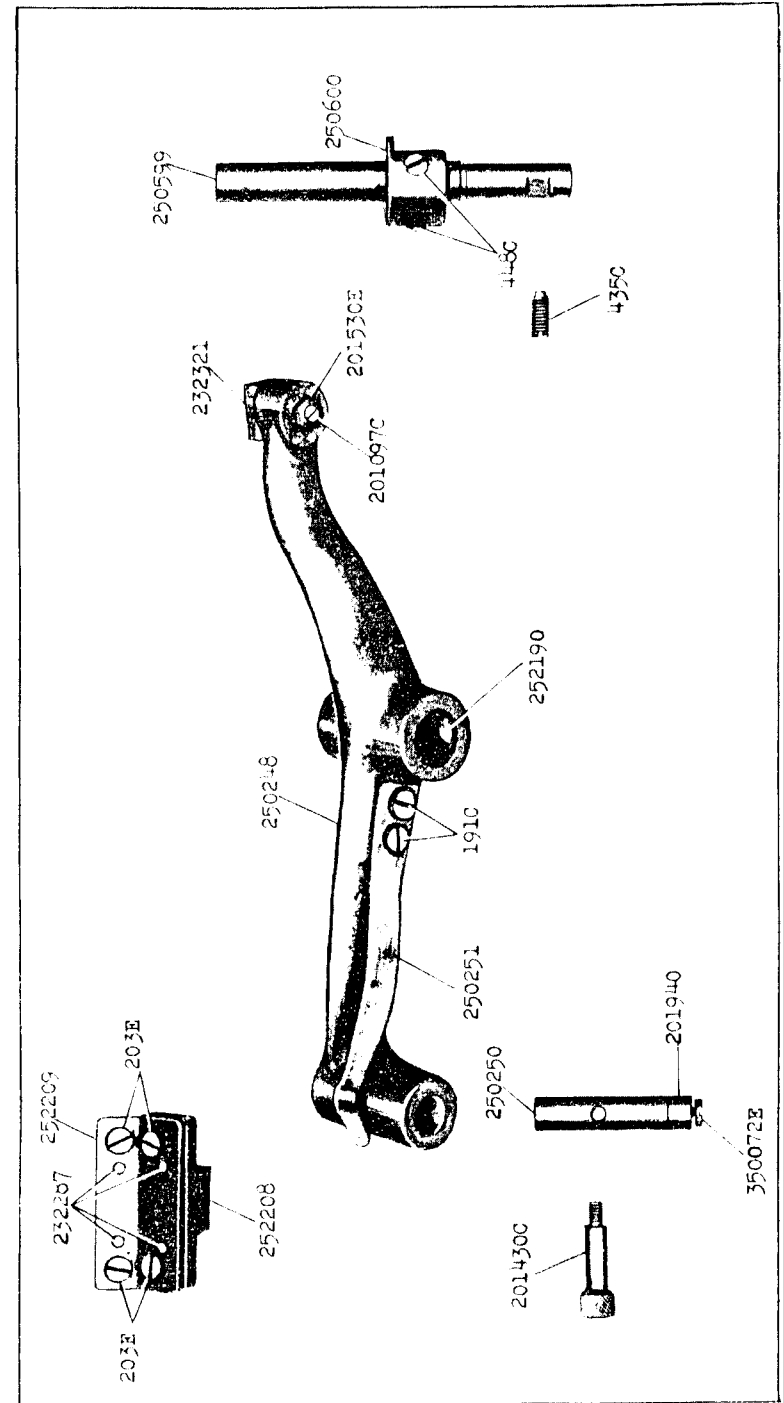
232871



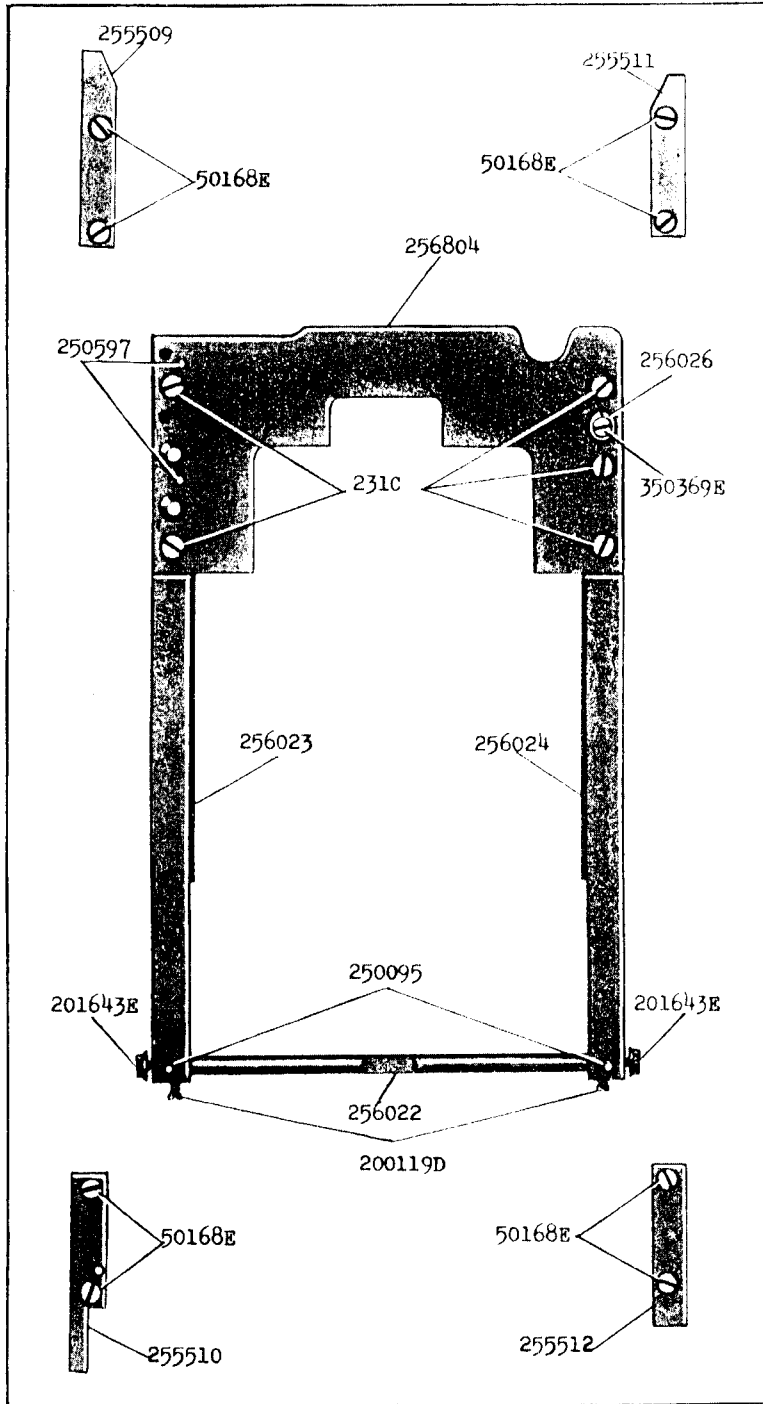
16456 - 1/3



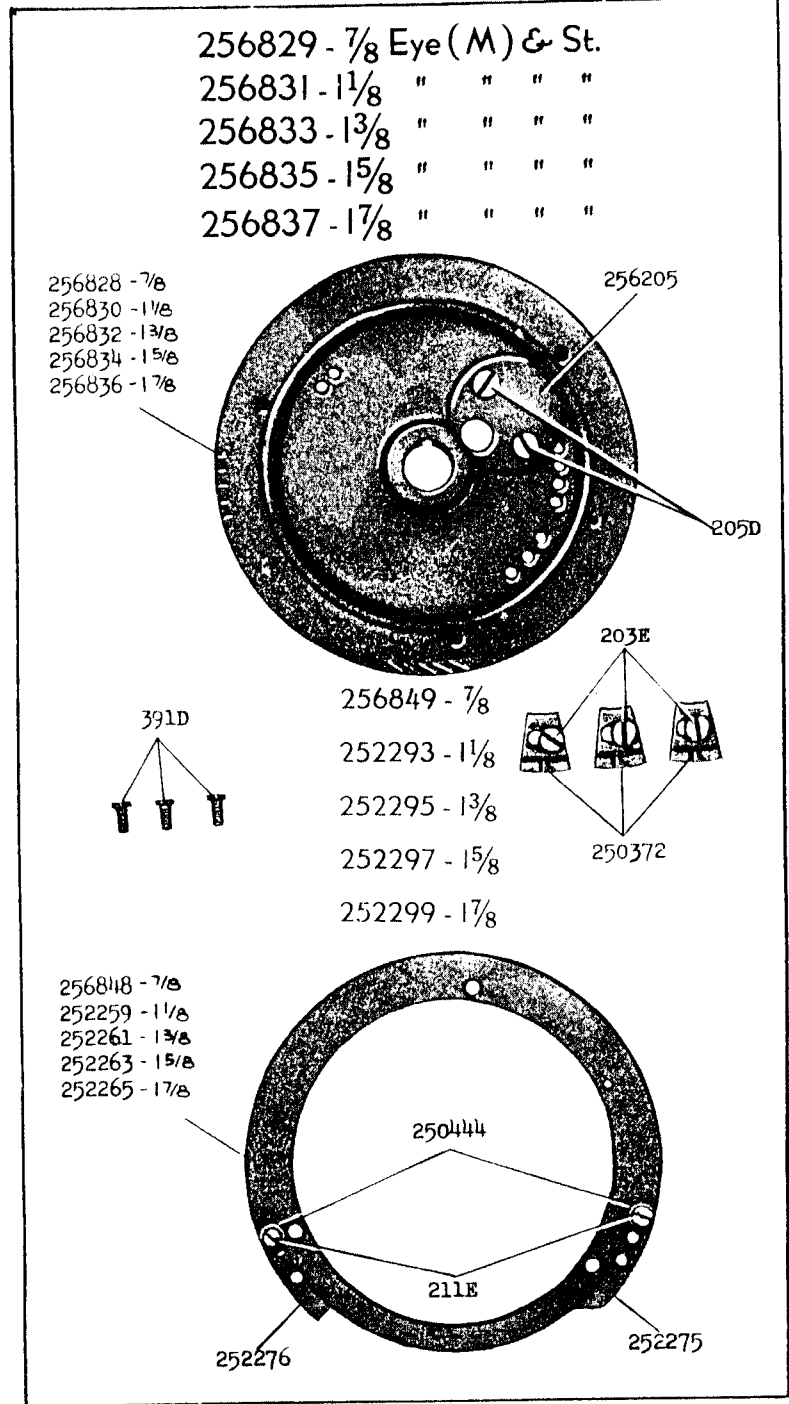
16461 - 1/2



16468 - 3/8



16472 - 1/2



16473 - 1/2

256839 - 7/8 Eye (L) & St.

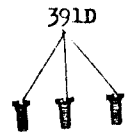
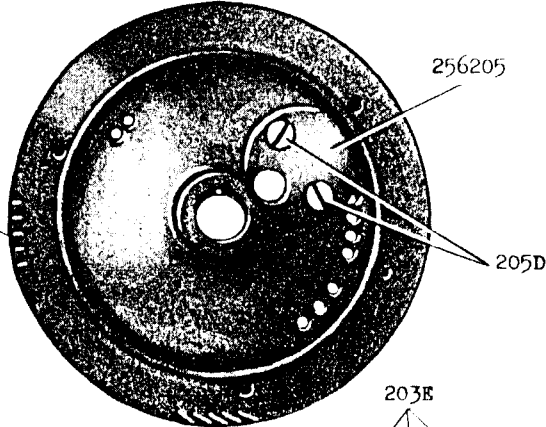
256841 - 1 1/8 " " " "

256843 - 1 3/8 " " " "

256845 - 1 5/8 " " " "

256847 - 1 7/8 " " " "

256838 - 7/8
256840 - 1 1/8
256842 - 1 3/8
256844 - 1 5/8
256846 - 1 7/8



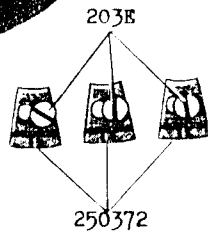
256849 - 7/8

252293 - 1 1/8

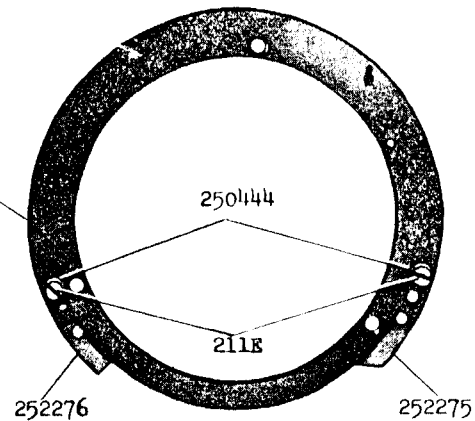
252295 - 1 3/8

252297 - 1 5/8

252299 - 1 7/8



256848 - 7/8
252259 - 1 1/8
252261 - 1 3/8
252263 - 1 5/8
252265 - 1 7/8



16476 - 2/3

253159 - 3/4
253160 - 7/8
253161 - 1
253162 - 1 1/8
253163 - 1 1/4
253164 - 1 3/8
253165 - 1 1/2
253166 - 1 5/8
253167 - 1 3/4
253168 - 1 7/8
253169 - 2



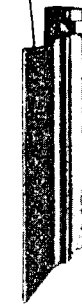
253170 - 3/4
253171 - 7/8
253172 - 1
253173 - 1 1/8
253174 - 1 1/4
253175 - 1 3/8
253176 - 1 1/2
253177 - 1 5/8
253178 - 1 3/4
253179 - 1 7/8
253180 - 2



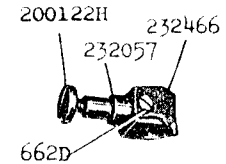
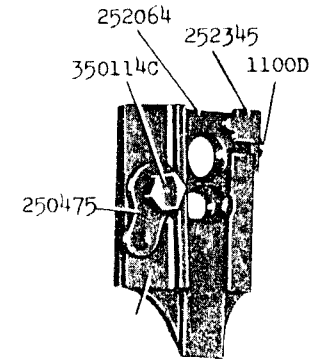
253044
.140 x .228



253047



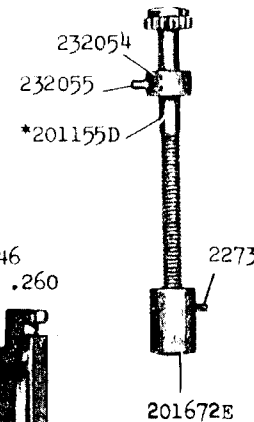
253046
.140 x .260



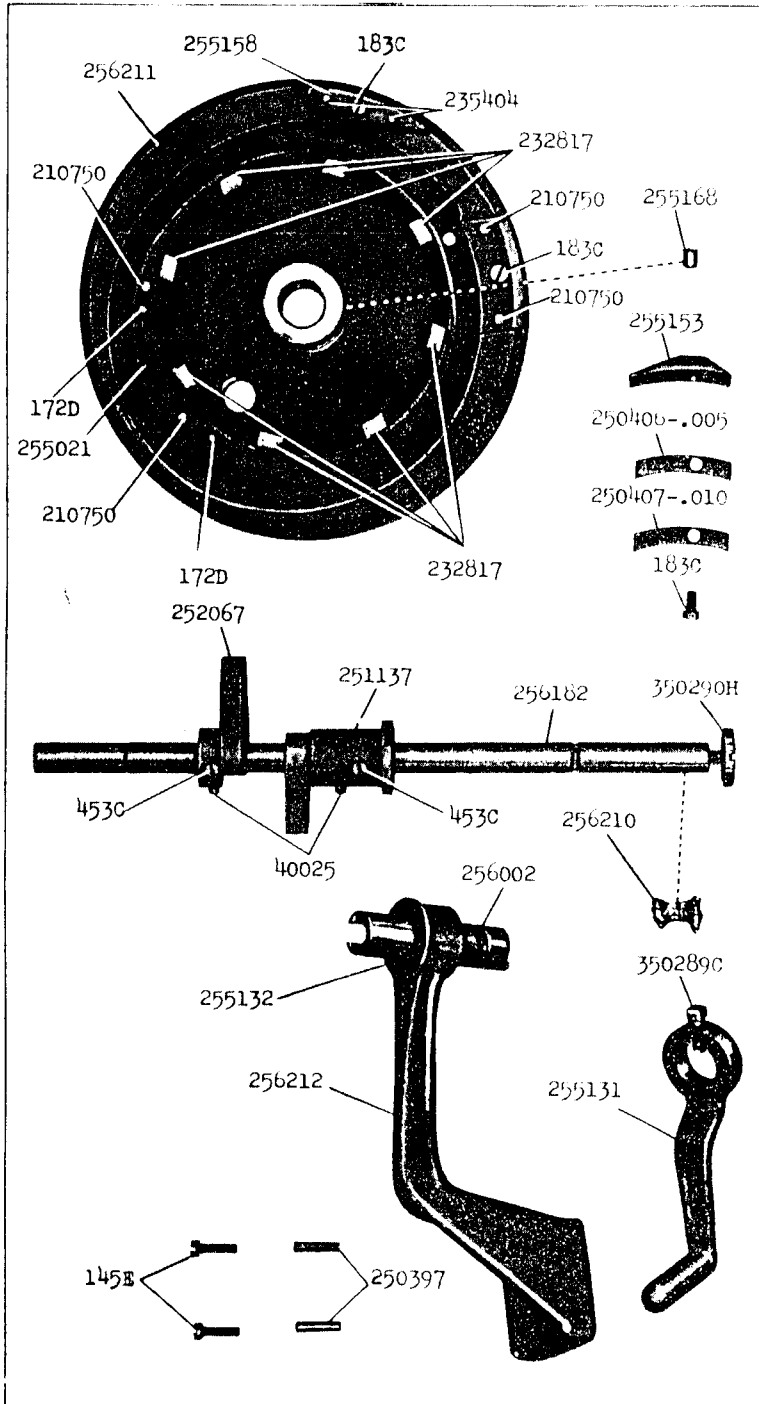
662D

232056

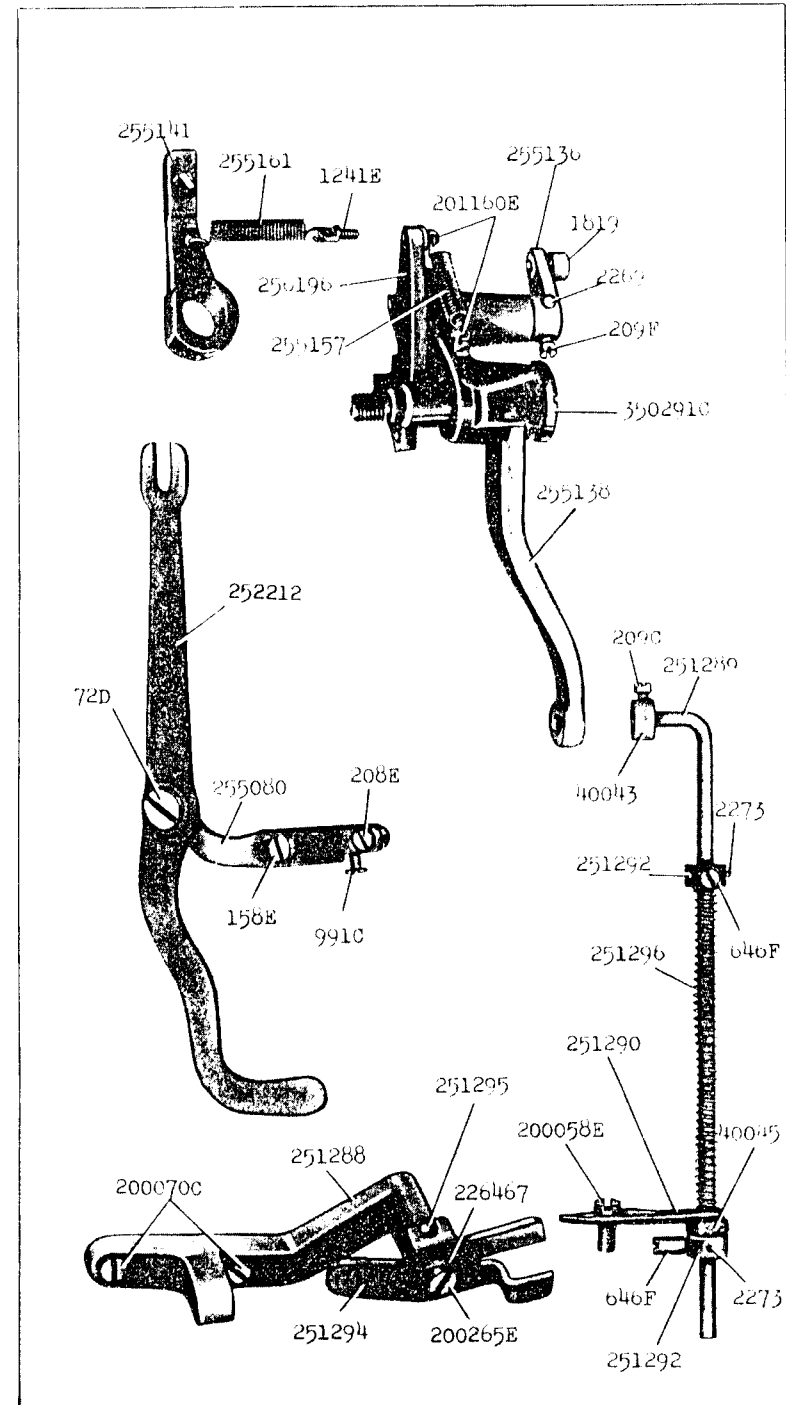
250538



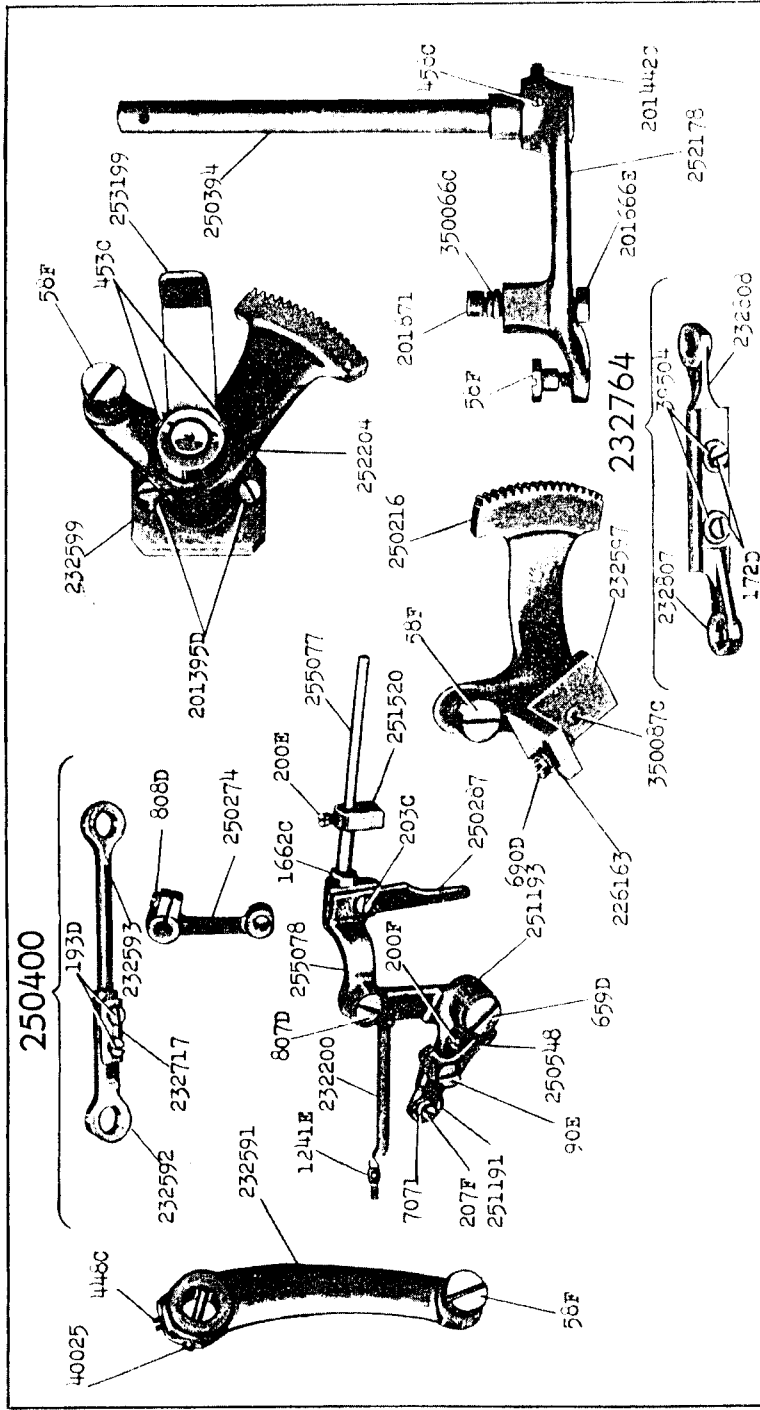
16477 - 1/3



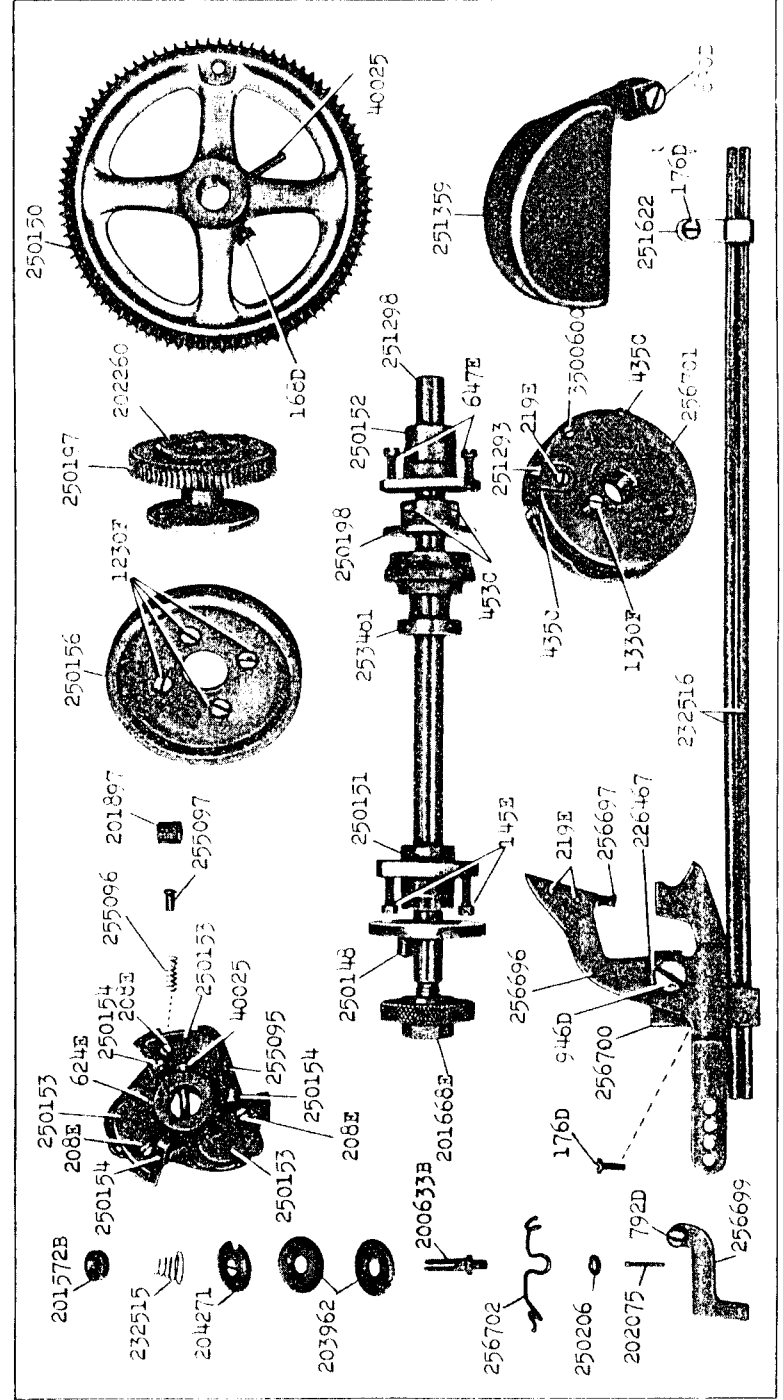
16478 - 1/2



16479 - 3/8

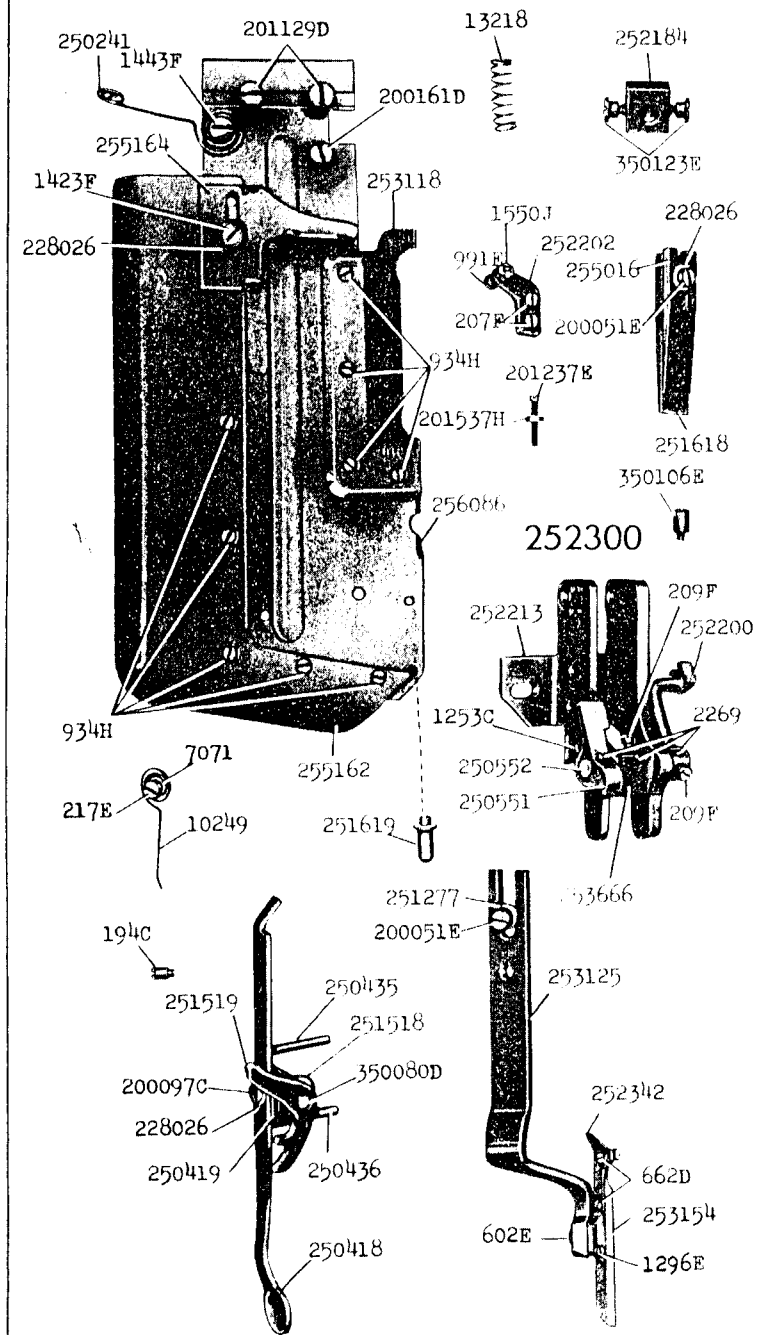


16480 - 1/3



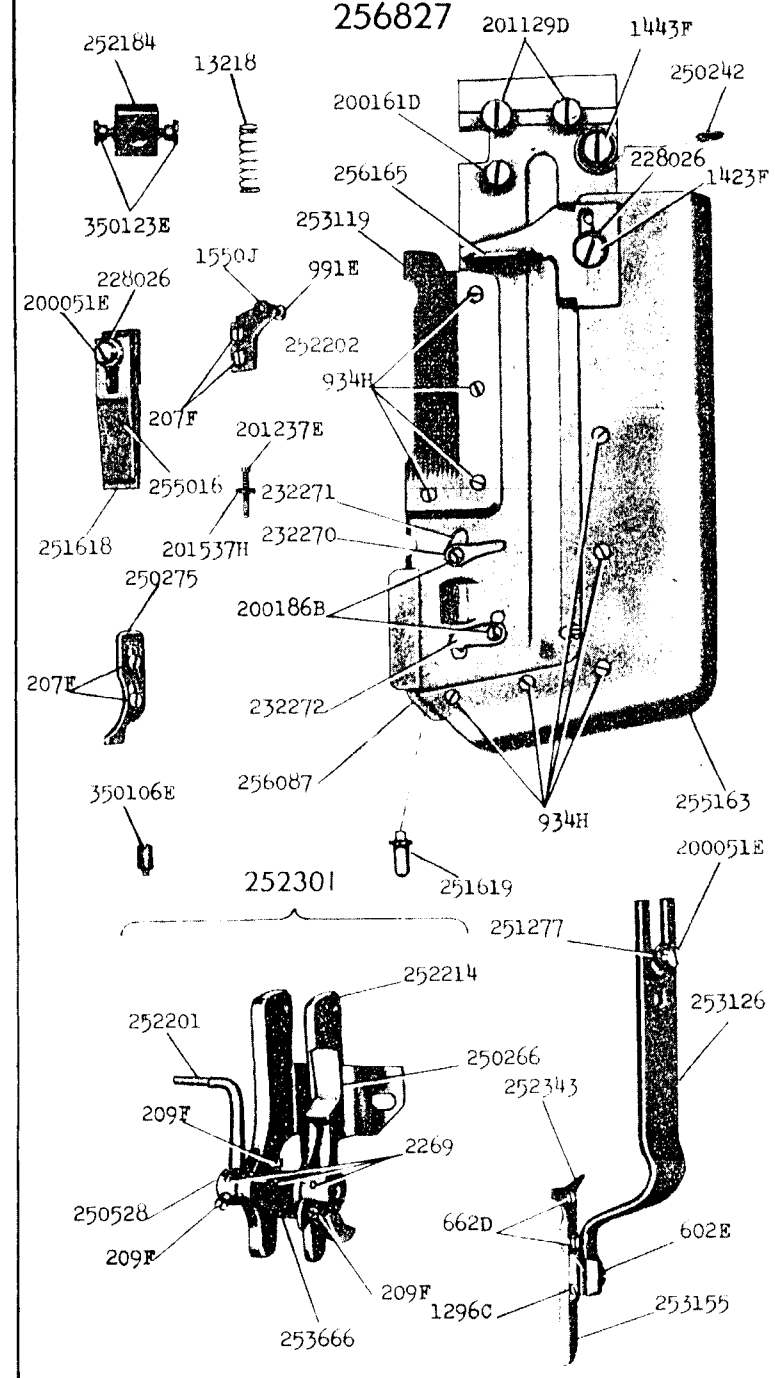
16481 - 3/8

256826



16482 - 3/8

256827



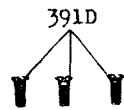
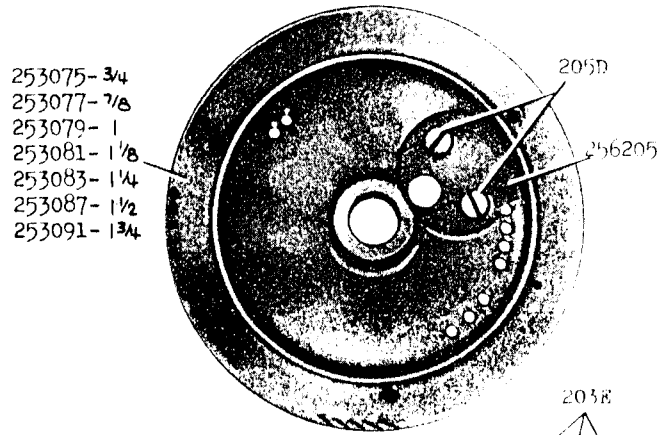
16485 - 1/2

253076 - 3/4 T.B.(L) 253082 - 1 1/8 T.B.(L)

253078 - 7/8 " " " 253084 - 1 1/4 " " "

253080 - 1 " " " 253088 - 1 1/2 " " "

253092 - 1 3/4 T.B.(L)



252292 - 3/4
252293 - 7/8
252294 - 1
252295 - 1 1/8
252296 - 1 1/4
252298 - 1 1/2
252299 - 1 3/4

