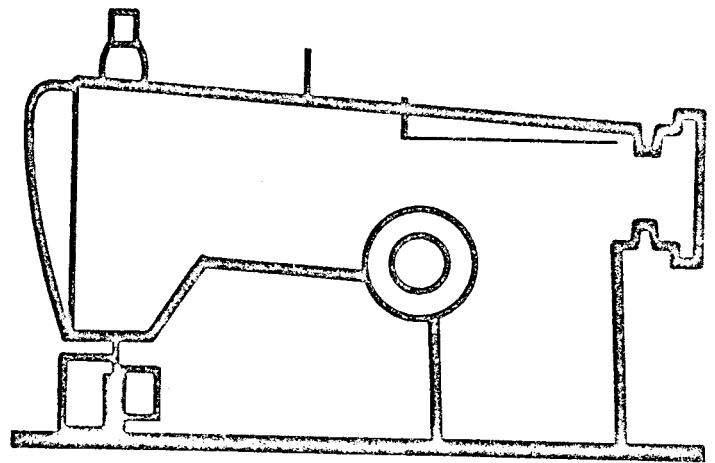


ILLUSTRATED PARTS LIST FOR



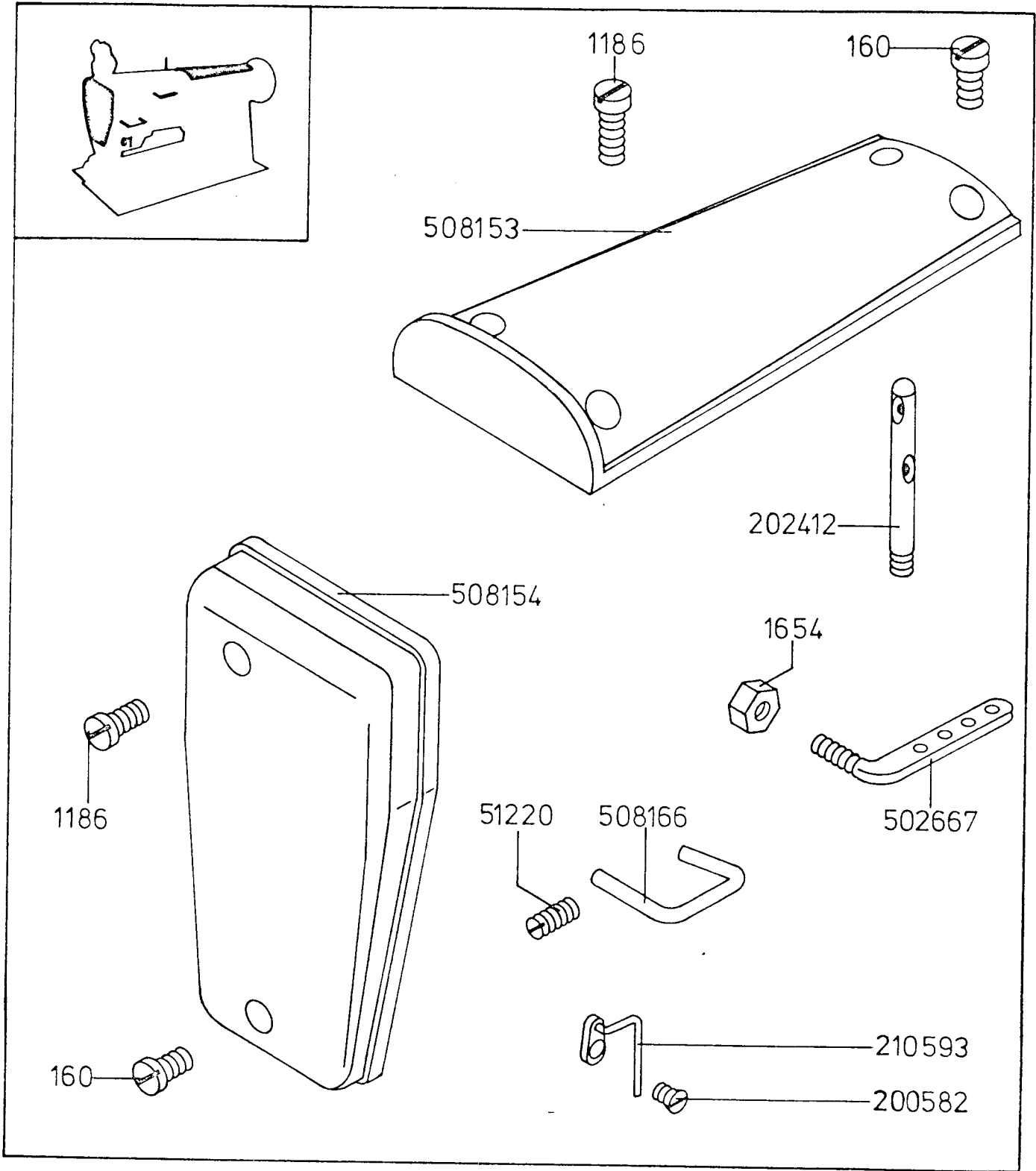
SINGER Machine

107G235

THE SINGER COMPANY

Form 30-0710-G1-(0671/710)

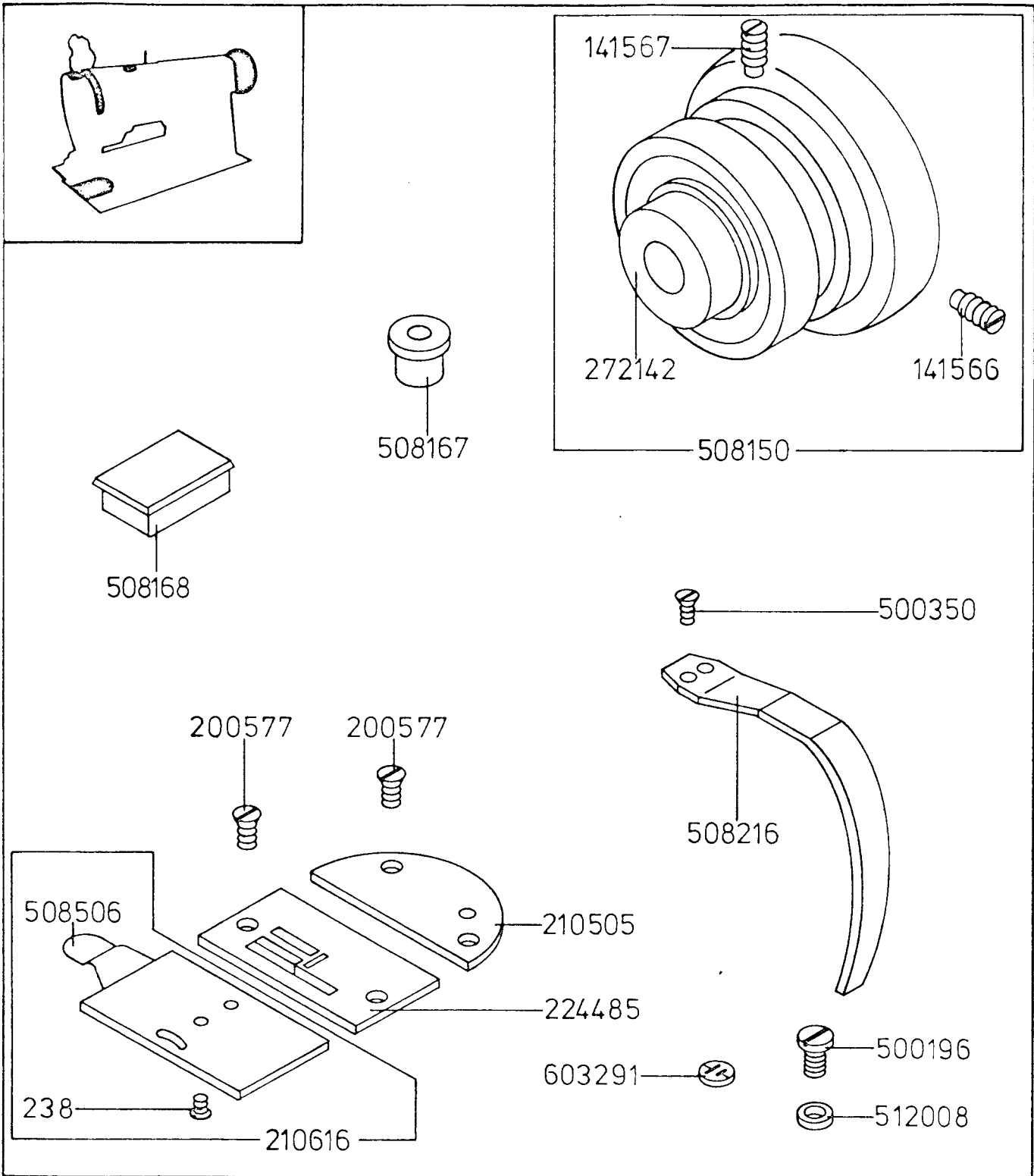
Printed in Western Germany



107 G 235 - 10 (0671)

160-E30	ARM COVER (TOP) SCREW (2)
160-E30	FACE PLATE SCREW
1186-E30	ARM COVER (TOP) SCREW (2)
1186-E30	FACE PLATE SCREW
1654-E30	THREAD RETAINER NUT
51220-E33	THREAD GUIDE (UPPER) SCREW
200582-E30	THREAD GUIDE (LOWER) SCREW

202412	THREAD GUIDE (ON TOP OF ARM)
210593	THREAD GUIDE (LOWER)
502667	THREAD RETAINER
508153	ARM COVER (TOP)
508154	FACE PLATE
508166	THREAD GUIDE (UPPER)



107 G 235 - 20 (0671)

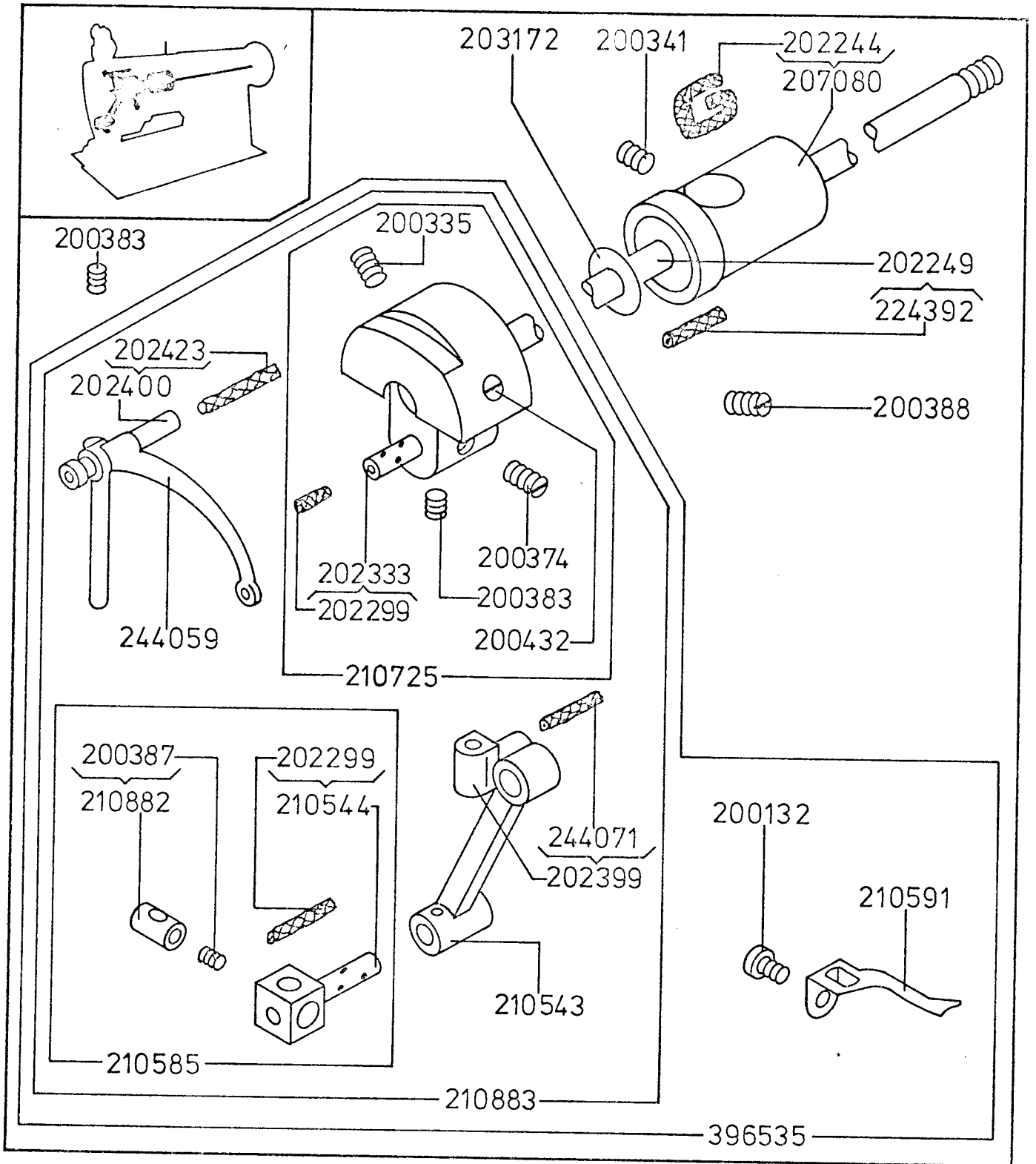
238-E50	BED SLIDE SPRING SCREW (2)
141567-E33	MACHINE PULLEY POSITION SCREW
141566-E33	MACHINE PULLEY SET SCREW
200577-E33	BED PLATE SCREW (2)
200577-E33	BED PLATE (BACK) SCREW (2)
210505	BED PLATE (BACK)
210616	BED SLIDE (FRONT) CPL. NOS. 508506 AND TWO EACH 238
224485	THROAT PLATE

272142	ARM SHAFT BALL (BACK)
500196-B50	MACHINE GROUNDING WIRE SCREW
500350-B50	TAKE-UP LEVER GUARD SCREW (2)
508150	MACHINE PULLEY CPL. NOS. 141566, 141567 AND 272142
508167	ARM SHAFT BUSHING (FRONT) OIL PACKING PLUG
508168	NEEDLE BAR FRAME CAP
508216	TAKE-UP LEVER GUARD
508506	BED SLIDE SPRING
512008	MACHINE GROUNDING WIRE LOCK WASHER
603291	MACHINE GROUNDING WIRE SYMBOL

PART NO. DESCRIPTION

PART NO. DESCRIPTION

NEEDLE BAR AND TAKE-UP MECHANISM

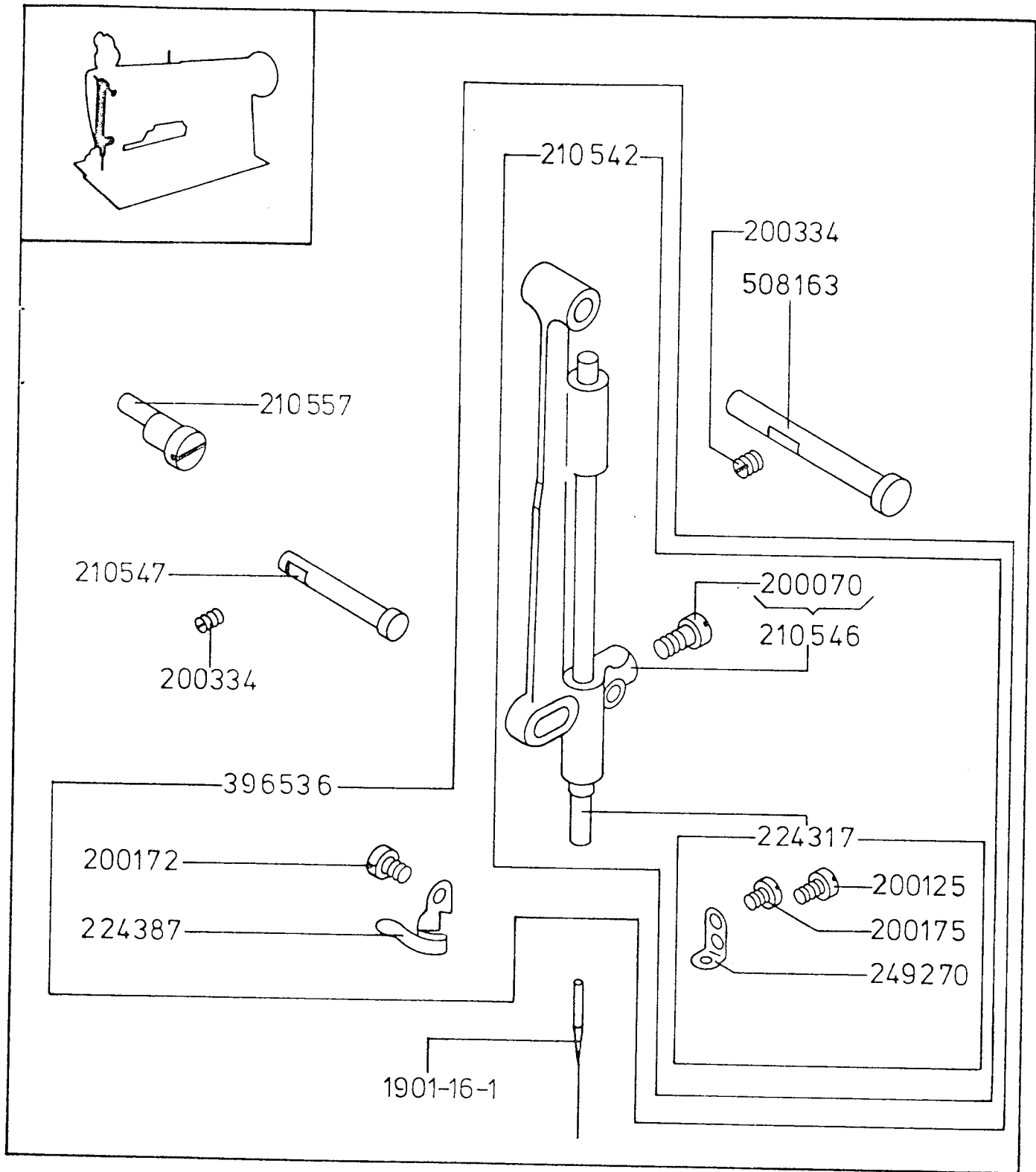


107 G 235 - 30 (0671)

PART NO.	DESCRIPTION
200132-850	TAKE-UP (AUXILIARY) SCREW
200335-850	NEEDLE BAR CRANK SET SCREW
200341-850	ARM SHAFT BUSHING (FRONT) SET SCREW
200374-833	NEEDLE BAR CONNECTING LINK STUD SET SCREW
200383-840	TAKE-UP LEVER HINGE STUD SET SCREW
200383-850	NEEDLE BAR CONNECTING LINK STUD SET SCREW
200383-853	NEEDLE BAR SET SCREW
200383-850	NEEDLE BAR CRANK LOCK SCREW
200383-850	NEEDLE BAR CRANK POSITION SCREW
200383-850	ARM SHAFT BUSHING (FRONT) PACKING (WICK)
200383-850	ARM SHAFT WITH 224392
202249	NEEDLE BAR CONNECTING LINK STUD OIL PACKING (WICK)
202299	NEEDLE BAR CONNECTING LINK STUD OIL PACKING (WICK)
202333	NEEDLE BAR CRANK OIL PACKING (WICK)
202399	TAKE-UP LEVER DRIVING STUD WITH 244071
202400	TAKE-UP LEVER HINGE STUD WITH 202423
202423	TAKE-UP LEVER HINGE STUD OIL PACKING (WICK)
203172	NEEDLE BAR CRANK FRICTION WASHER

207080	ARM SHAFT BUSHING (FRONT) WITH 222244
210543	NEEDLE BAR CONNECTING LINK
210544	NEEDLE BAR CONNECTING STUD WITH 202299
210585	NEEDLE BAR CONNECTING STUD CPL. NOS. 210544 AND 210582
210591	TAKE-UP (AUXILIARY)
210725	NEEDLE BAR CRANK CPL. NOS. 200335, 200374, 200383, 200432 AND 202333
210852	NEEDLE BAR CONNECTING LINK STUD SWIVEL WITH 200387
210883	NEEDLE BAR CRANK CPL. NOS. 202399, 202400, 210543, 210585, 210725 AND 244059
224392	ARM SHAFT OIL PACKING (WICK)
244059	TAKE-UP LEVER
244071	TAKE-UP LEVER DRIVING STUD OIL PACKING (WICK)
396535	NEEDLE BAR CRANK WITH TAKE-UP (AUXILIARY) CPL. NOS. 200132, 210591 AND 210883

NEEDLE BAR AND TAKE-UP MECHANISM



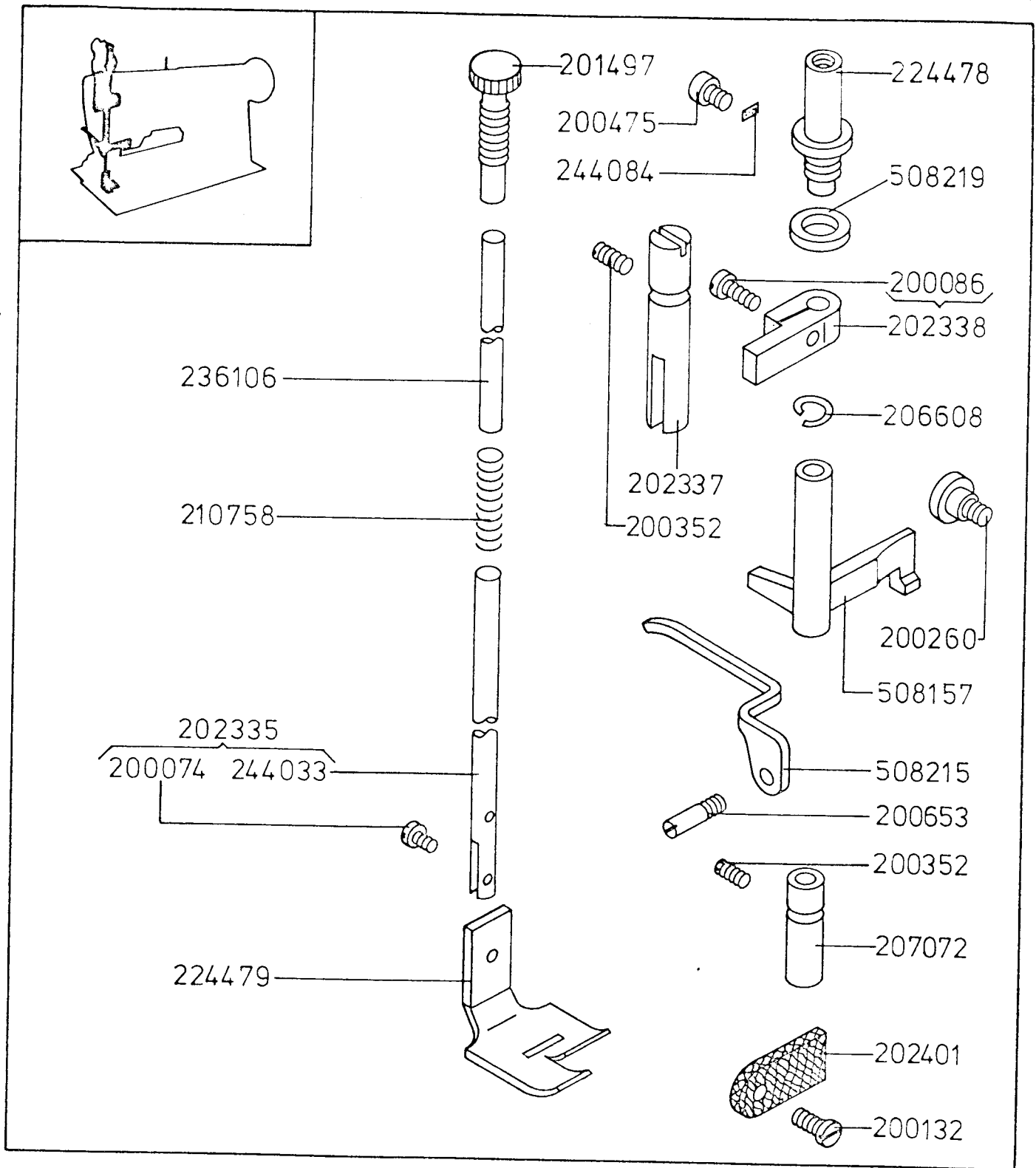
107 G 235 - 40 (0671)

1901-16-1	NEEDLE
200070-650	NEEDLE BAR FRAME PITMAN ECCENTRIC STUD SET SCREW
200125-633	NEEDLE SET SCREW
200172-650	THREAD GUIDE SCREW
200175-650	NEEDLE THREAD GUIDE SCREW
200334-633	NEEDLE BAR FRAME HINGE
200334-633	GUIDE STUD SET SCREW
210542	NEEDLE BAR FRAME CPL. NOS. 210546 AND 224317
210546	NEEDLE BAR FRAME WITH 200070

210547	NEEDLE BAR FRAME GUIDE STUD
210557	NEEDLE BAR FRAME PITMAN ECCENTRIC STUD
224317	NEEDLE BAR CPL. NOS. 200125, 200175 AND 249270
224387	THREAD GUIDE
249270	NEEDLE BAR THREAD GUIDE
396536	NEEDLE BAR FRAME CPL. NOS. 200172, 210542 AND 224387
508163	NEEDLE BAR FRAME HINGE STUD

PART NO. DESCRIPTION

PART NO. DESCRIPTION



107 G 235 - 50 (0671)

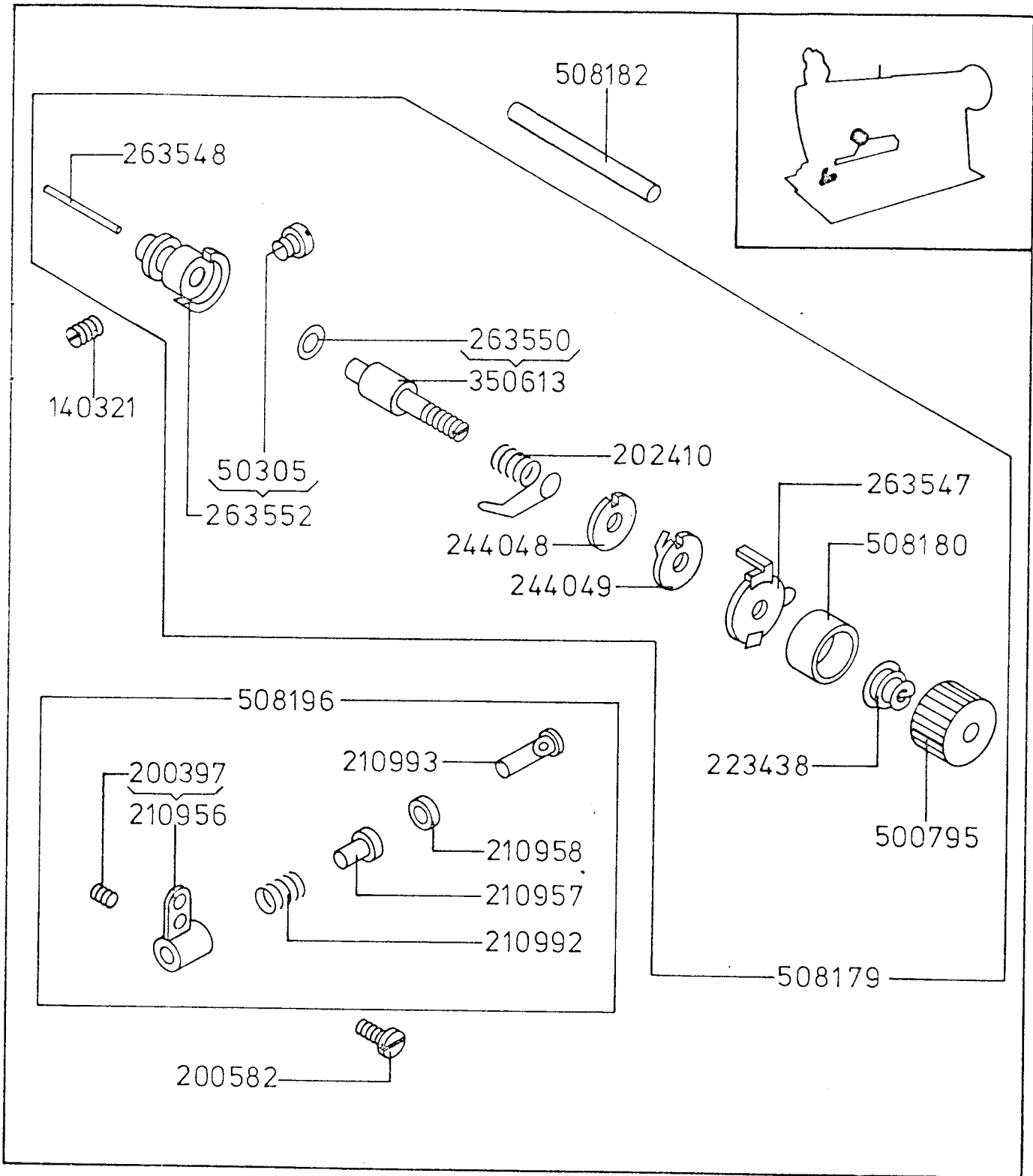
200074-850	PRESSER FOOT SCREW
200086-833	PRESSER BAR POSITION GUIDE LEVER PINCH SCREW
200132-850	TAKE-UP LEVER OILING FELT SCREW
200260-850	PRESSER BAR LIFTING RELEASING LEVER BRACKET
	GUIDE SCREW
200352-833	PRESSER BAR POSITION GUIDE SET SCREW
200352-832	PRESSER BAR BUSHING SET SCREW
200475-850	PRESSER BAR BUSHING (UPPER) THUMB SET SCREW
200653-850	PRESSER BAR LIFTER HINGE SCREW
201497-850	PRESSER BAR THUMB SCREW (PRESSURE REGULATING)
202401	TAKE-UP LEVER OILING FELT
202335	PRESSER BAR CPL. NOIS. 200074 AND 244033
202337	PRESSER BAR POSITION GUIDE
202338	PRESSER BAR POSITION GUIDE LEVER WITH 200086
206608	PRESSER BAR LIFTING RELEASING LEVER BRACKET
	SPRING

207072	PRESSER BAR BUSHING
210758	PRESSER BAR SPRING (LIGHT)
224478	PRESSER BAR BUSHING (UPPER)
224479	PRESSER FOOT
236106	PRESSER BAR SPRING STOP ROD
244033	PRESSER BAR (HOLLOW)
244084	PRESSER BAR BUSHING (UPPER) THUMB SET SCREW
	PACKING FIBRE
508157	PRESSER BAR LIFTING RELEASING LEVER BRACKET
508215	PRESSER BAR LIFTER
508219	PRESSER BAR WASHER

PART NO. DESCRIPTION

PART NO. DESCRIPTION

THREAD TENSION, TENSION RELEASING DEVICE

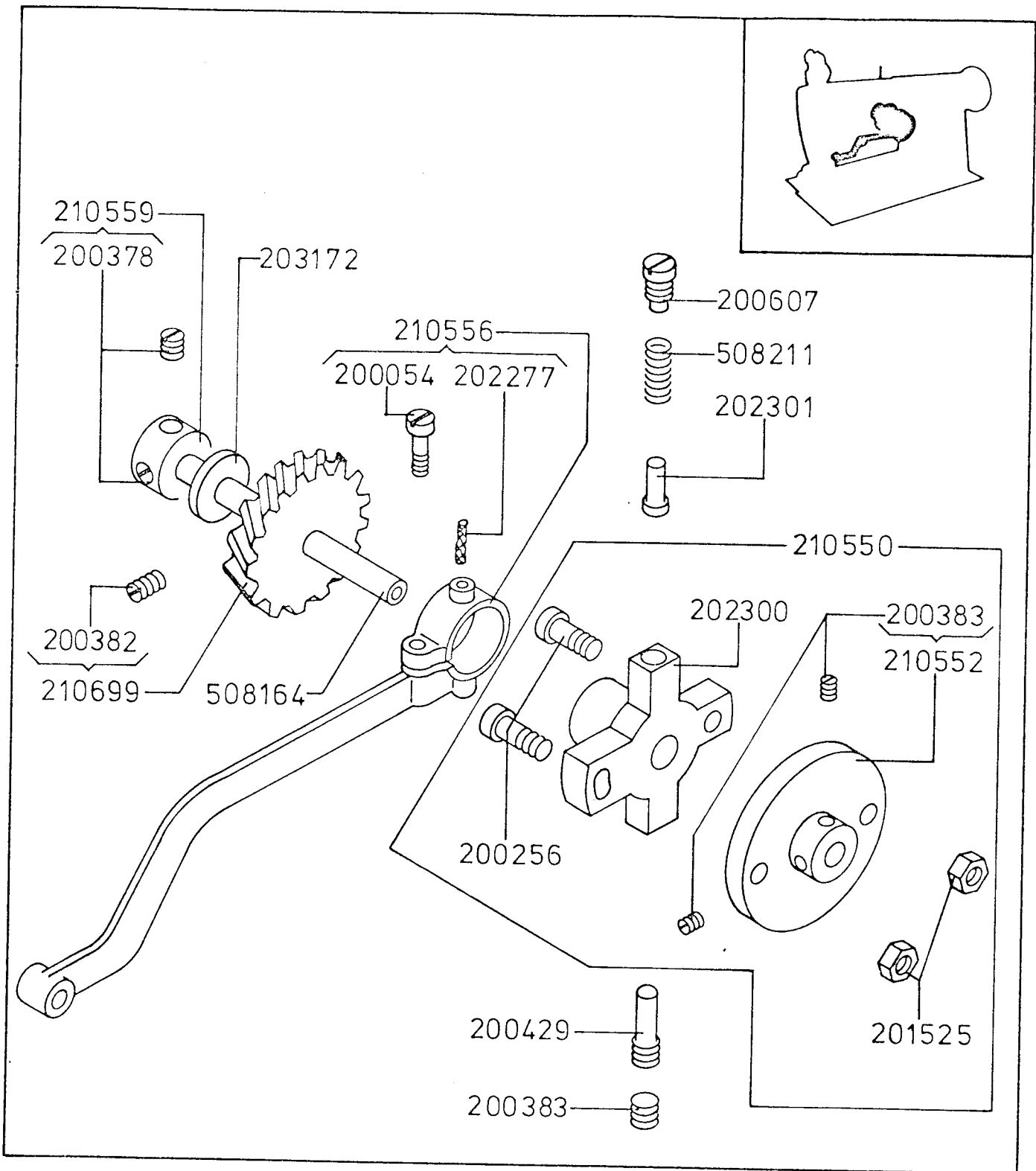


107 G 235 - 60 (0671)

50305-850	THREAD STUD SET SCREW
140321-850	THREAD CONTROLLER SPRING REGULATOR SET SCREW
200397-633	THREAD RETAINER STUD SET SCREW
200582-650	THREAD GUIDE SCREW
202410	THREAD CONTROLLER SPRING
210956	THREAD RETAINER BRACKET WITH 200397
210957	THREAD RETAINER STUD
210958	THREAD RETAINER STUD COLLAR
210992	THREAD RETAINER SPRING
210993	THREAD RETAINER SLEEVE
223438	TENSION SPRING
244048	TENSION DISC (BACK)
244049	TENSION DISC (FRONT)
263547	TENSION RELEASE WASHER

263548	TENSION RELEASING PIN
263550	TENSION STUD WASHER
263552	THREAD CONTROLLER SPRING REGULATOR WITH 50305
350613-806	TENSION STUD WITH 263550
500795	TENSION THUMB NUT
508179	TENSION CPL. NOS. 202410, 223438, 244048, 244049, 263547, 263548, 263552, 350613, 500795 AND 508180
508180	TENSION SPRING WASHER
508182	TENSION RELEASE PLUNGER
508196	THREAD RETAINER BRACKET CPL. NOS. 210957, 210958, 210992, 210993 AND 210956

NEEDLE VIBRATING MECHANISM



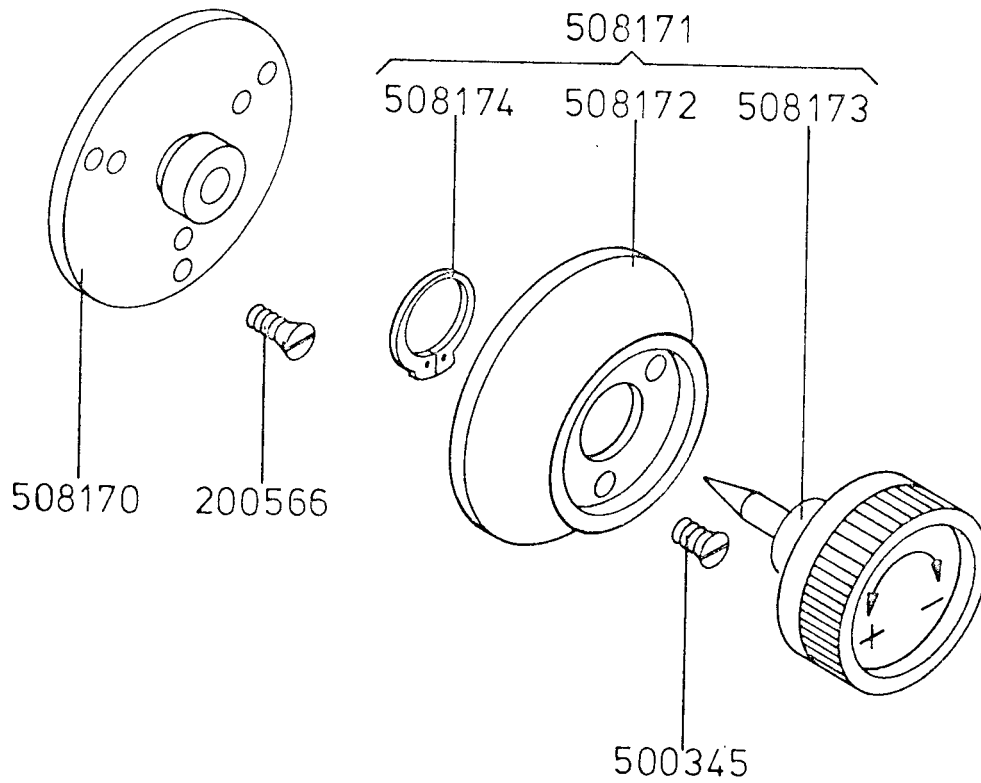
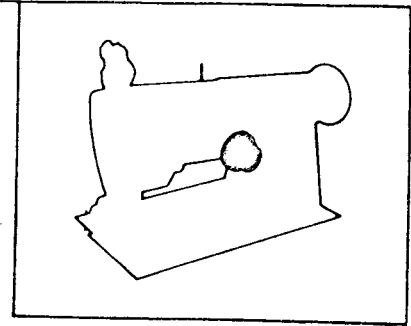
107 G 235 - 70 106711

200054-850	NEEDLE BAR FRAME PITMAN PINCH SCREW
200256-850	NEEDLE VIBRATING ECCENTRIC REGULATING BRACKET HINGE AND STOP SCREW (2)
200378-650	NEEDLE VIBRATING GEAR SHAFT COLLAR SET SCREW (2)
200382-650	NEEDLE VIBRATING GEAR SET SCREW (2)
200383-650	NEEDLE VIBRATING REGULATING SCREW CHECK SCREW
200383-850	NEEDLE VIBRATING ECCENTRIC REGULATING BRACKET FLANGE SCREW (2)
200429-850	NEEDLE VIBRATING REGULATING SCREW
200607-850	NEEDLE VIBRATING ECCENTRIC REGULATING BRACKET PLUNGER SPRING STOP SCREW
201525-850	NEEDLE VIBRATING ECCENTRIC REGULATING BRACKET HINGE AND STOP SCREW NUT (2)
202277	NEEDLE BAR FRAME PITMAN OIL PACKING (WICK)
202300	NEEDLE VIBRATING ECCENTRIC REGULATING BRACKET
202301	NEEDLE VIBRATING ECCENTRIC REGULATING BRACKET PLUNGER

203172	NEEDLE VIBRATING GEAR FRICTION WASHER
210550	NEEDLE VIBRATING ECCENTRIC REGULATING BRACKET CPL. NOS. 202300, 210552 AND TWO EACH 200256 AND 201525
210552	NEEDLE VIBRATING ECCENTRIC REGULATING BRACKET FLANGE WITH TWO 200383
210556	NEEDLE BAR FRAME PITMAN CPL. NOS. 200054 AND 202277
210559	NEEDLE VIBRATING GEAR SHAFT COLLAR WITH TWO 200378
210699	NEEDLE VIBRATING GEAR (SPIRAL) WITH TWO 200382
508164	NEEDLE VIBRATING GEAR SHAFT
508211	NEEDLE VIBRATING ECCENTRIC REGULATING BRACKET PLUNGER SPRING

PART NO. DESCRIPTION

PART NO. DESCRIPTION



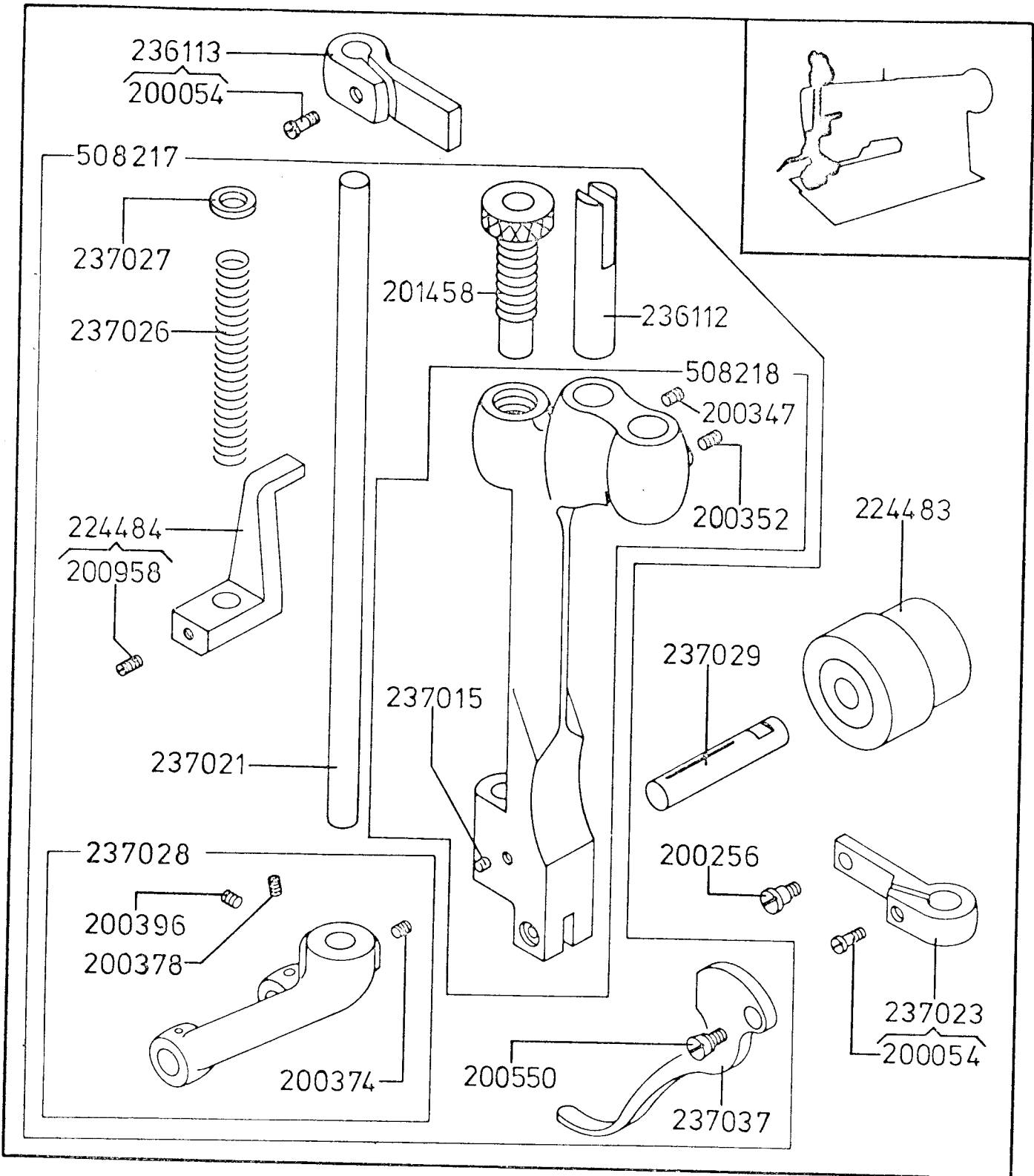
107 G 235 - 80 (0671)

200566-850 NEEDLE VIBRATING GEAR SHAFT FLANGE SCREW (3)
 500345-850 NEEDLE VIBRATING GEAR SHAFT FLANGE COVER SCREW (3)
 508170 NEEDLE VIBRATING GEAR SHAFT FLANGE
 508171 NEEDLE VIBRATING REGULATION ADJUSTING UNIT CPL.
 NOS. 508172 TO 508174

508172 NEEDLE VIBRATING GEAR SHAFT FLANGE COVER
 508173 BIGHT AMPLITUDE ADJUSTING KNOB
 508174 BIGHT AMPLITUDE ADJUSTING KNOB RETAINER

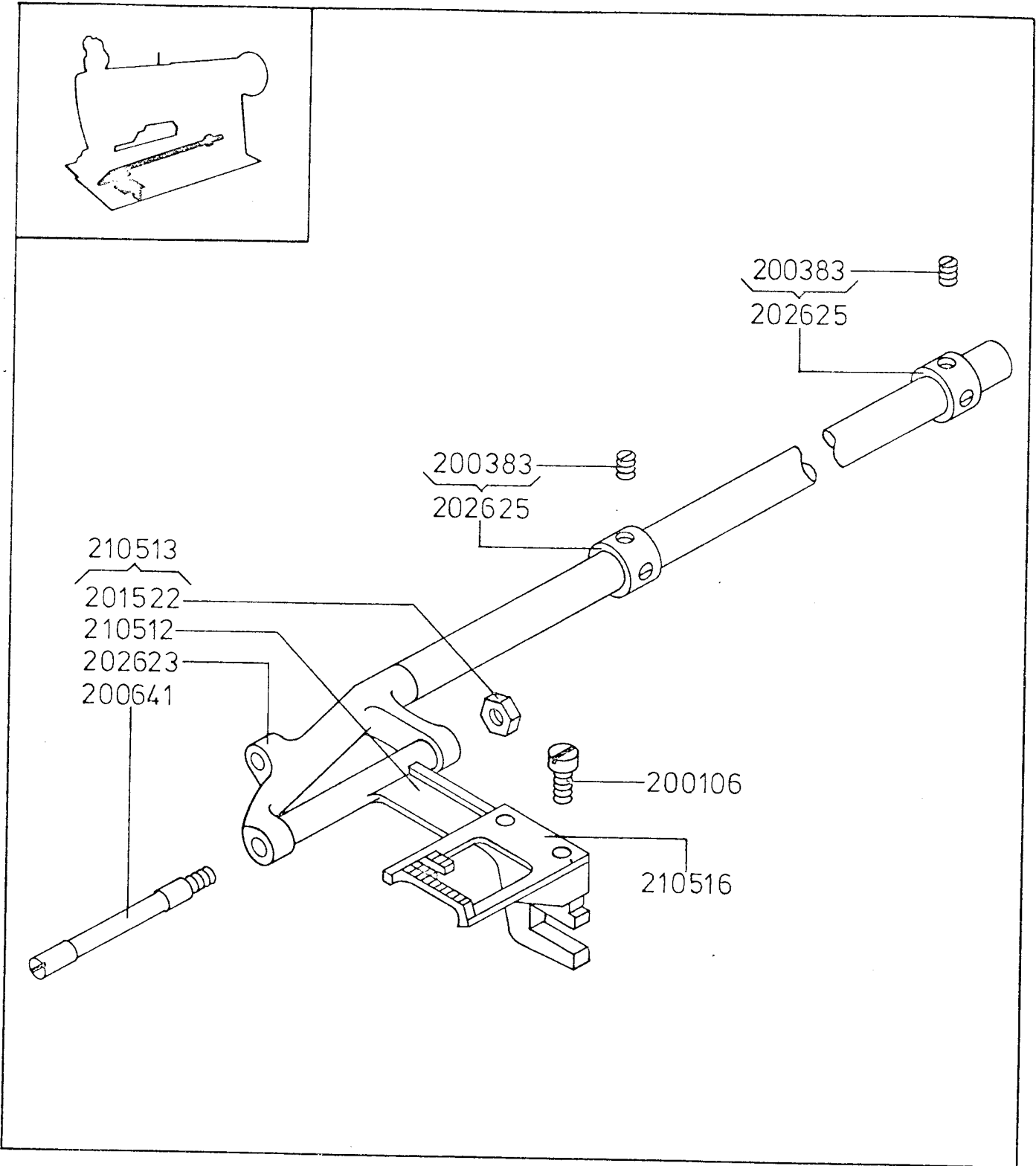
PART NO. DESCRIPTION

PART NO. DESCRIPTION



- 200054-850 PULLER FEED ROLL (UPPER) BAR POSITION GUIDE LEVER PINCH SCREW
- 200054-850 PULLER FEED ROLL (UPPER) BAR BRACKET SUPPORT PINCH SCREW
- 200256-850 PULLER FEED ROLL (UPPER) BAR BRACKET SCREW
- 200347-033 PULLER FEED ROLL (UPPER) BAR POSITION GUIDE SET SCREW
- 200352-033 PULLER FEED ROLL (UPPER) BAR BRACKET SET SCREW
- 200374-033 PULLER FEED ROLL (UPPER) BRACKET SET SCREW
- 200378-850 PULLER FEED ROLL (UPPER) HINGE STUD SET SCREW
- 200378-850 PULLER FEED ROLL (UPPER) BRACKET POSITION SCREW
- 200550-850 PULLER FEED ROLL (UPPER) BAR LIFTER HINGE SCREW
- 200958-850 PULLER FEED ROLL (UPPER) BAR LIFTING BRACKET SET SCREW
- 201458-850 PULLER FEED ROLL (UPPER) BAR THUMB SCREW
- 224483 PULLER FEED ROLL (UPPER) RUBBER FACED
- 224484 PULLER FEED ROLL (UPPER) BAR LIFTING BRACKET WITH 200958
- 236112 PULLER FEED ROLL (UPPER) BAR POSITION GUIDE
- 236113 PULLER FEED ROLL (UPPER) BAR POSITION GUIDE LEVER WITH 200054

- 237015 PULLER FEED ROLL (UPPER) BAR LIFTER STOP PIN
- 237021 PULLER FEED ROLL (UPPER) BAR
- 237023 PULLER FEED ROLL (UPPER) BAR BRACKET SUPPORT WITH 200054
- 237026 PULLER FEED ROLL (UPPER) BAR SPRING
- 237027 PULLER FEED ROLL (UPPER) BAR SPRING WASHER
- 237028 PULLER FEED ROLL (UPPER) BRACKET CPL. NOS. 200374, 200378 AND 200396
- 237029 PULLER FEED ROLL (UPPER) HINGE STUD
- 237037 PULLER FEED ROLL (UPPER) BAR LIFTER
- 508217 PULLER FEED ROLL (UPPER) BAR BRACKET CPL. 200550, 201458, 224484, 236112, 237021, 237026, 237027, 237028, 237037 AND 508218
- 508218 PULLER FEED ROLL (UPPER) BAR BRACKET CPL. NOS. 200347, 200352 AND 237015



107 G 235 - 100 (0671)

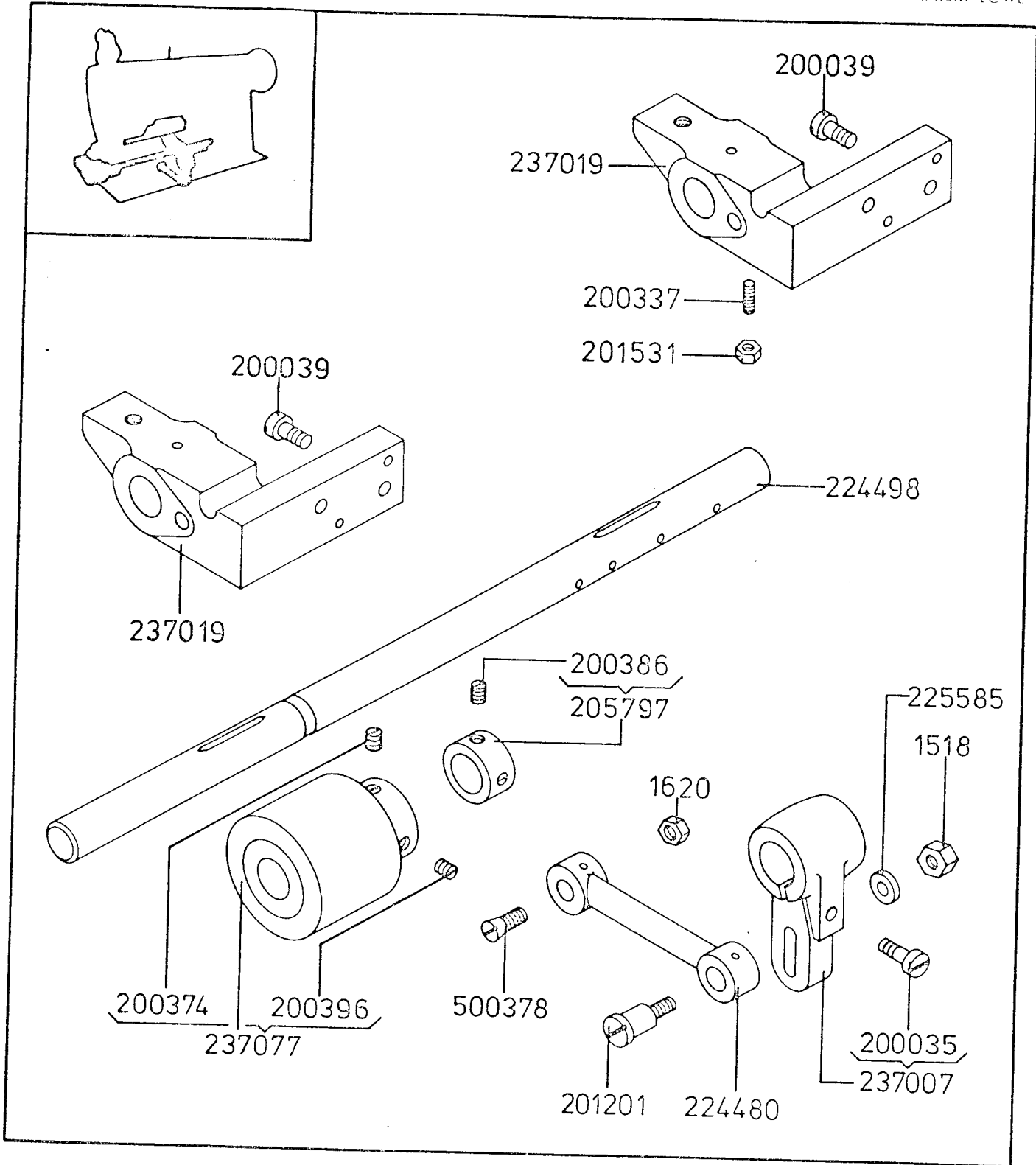
200106-850 FEED DOG SCREW (2)
 200383-850 FEED DRIVING ROCK SHAFT STOP COLLAR SET SCREW (4)
 200641-800 FEED BAR HINGE SCREW (DRIVING)
 201522-800 FEED HINGE SCREW (DRIVING) NUT
 202625 FEED DRIVING ROCK SHAFT

202625 FEED DRIVING ROCK SHAFT STOP COLLAR (2) WITH
 FOUR 200383
 210512 FEED BAR
 210513 FEED BAR CPL. NOS. 200641, 201522, 202623 AND 210512
 210516 FEED DOG

PART NO. DESCRIPTION

PART NO. DESCRIPTION

FEEDING MECHANISM (LOWER)

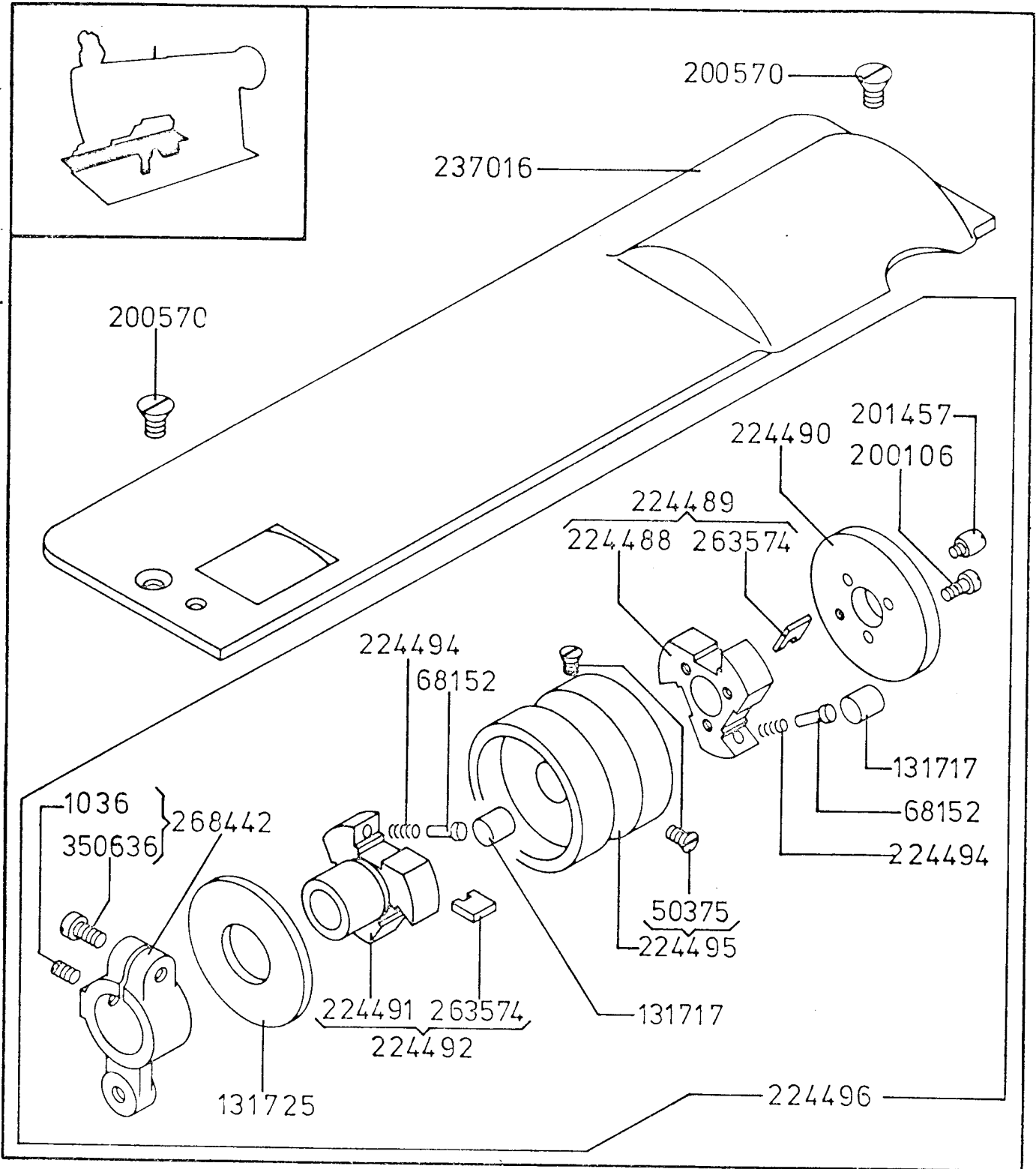


107 G 235 - 110 (0671)

1518-850	PULLER FEED CLUTCH DRIVING CRANK HINGE SCREW NUT
1620-850	PULLER FEED CLUTCH DRIVING CONNECTION HINGE SCREW NUT
200035-850	PULLER FEED CLUTCH DRIVING CRANK PINCH SCREW
200039-850	PULLER FEED ROLL (LOWER) SHAFT BRACKET SCREW #4
200337-850	PULLER FEED CLUTCH CAP RETAINING SCREW STUD SCREW
200374-833	PULLER FEED ROLL (LOWER) SET SCREW
200386-833	PULLER FEED ROLL (LOWER) SHAFT COLLAR SET SCREW (2)
200396-833	PULLER FEED ROLL (LOWER) POSITION SCREW
201201-830	PULLER FEED CLUTCH DRIVING CRANK HINGE SCREW
201531-850	PULLER FEED CLUTCH CAP RETAINING SCREW STUD SCREW NUT

205797	PULLER FEED ROLL (LOWER) SHAFT COLLAR WITH 200386
224489	PULLER FEED CLUTCH DRIVING CONNECTION
224498	PULLER FEED ROLL (LOWER) SHAFT
225585	PULLER FEED CLUTCH DRIVING CRANK HINGE SCREW WASHER
237007	PULLER FEED CLUTCH DRIVING CRANK WITH 200035
237077	PULLER FEED ROLL (LOWER) RUBBER FACED (CPL. NOS. 200374 AND 200396)
237019	PULLER FEED ROLL (LOWER) SHAFT BRACKET #2
500378-850	PULLER FEED CLUTCH DRIVING CONNECTION HINGE SCREW

FEEDING MECHANISM - LOWER

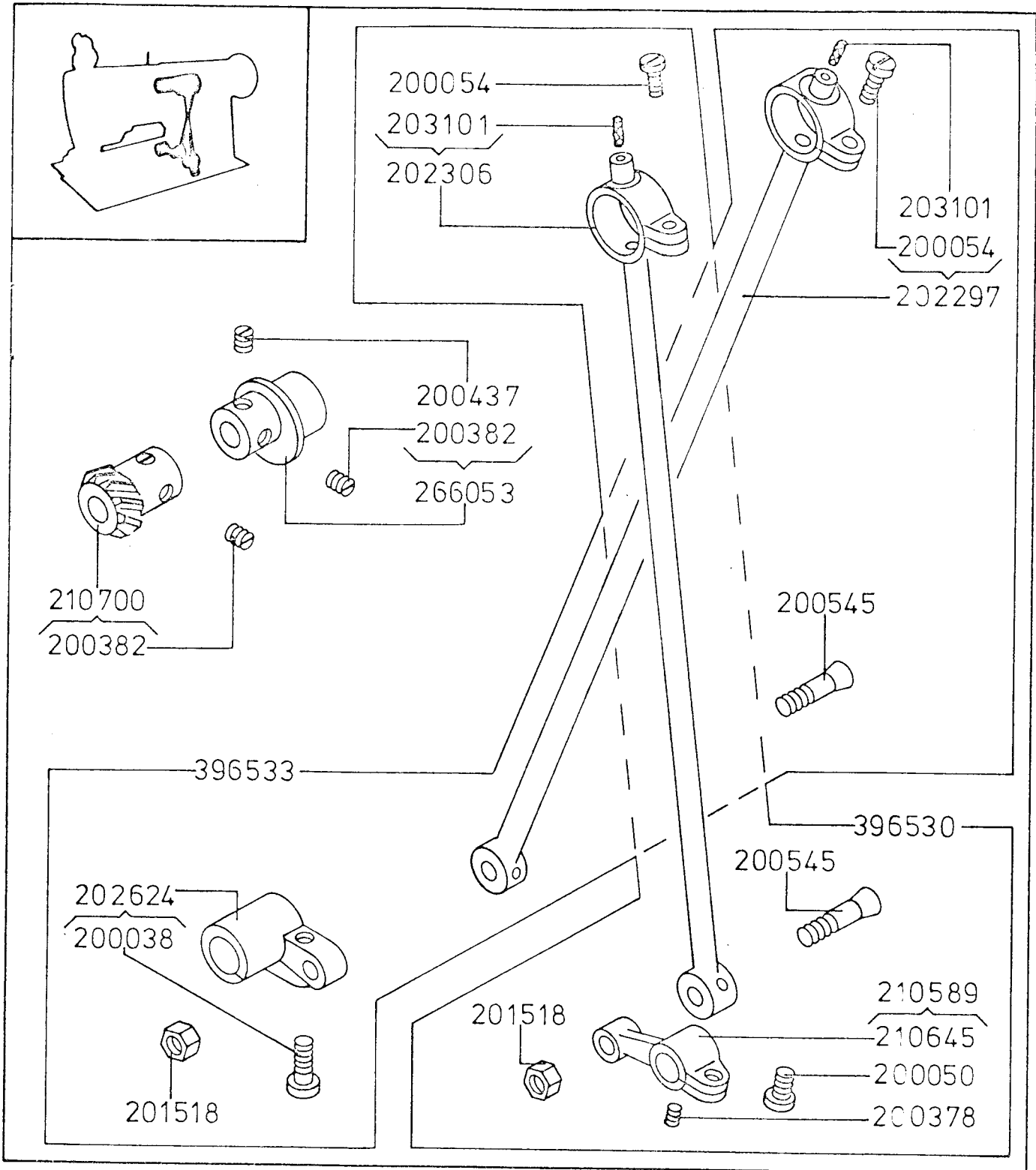


107 G 235 - 120 (0671)

- 1036-830 PULLER FEED CLUTCH (DRIVE) CONNECTION SET SCREW
- 50375-806 PULLER FEED CLUTCH SLEEVE SET SCREW (2)
- 68152 PULLER FEED CLUTCH ROLLER FLANGE (6)
- 131717 PULLER FEED CLUTCH ROLLER (6)
- 131725 PULLER FEED CLUTCH WASHER
- 200106-830 PULLER FEED CLUTCH CAP SCREW (3)
- 200570-850 PULLER FEED COVER PLATE SCREW (2)
- 201457-850 PULLER FEED CLUTCH CAP RETAINING SCREW STUD
- 224488 PULLER FEED CLUTCH BRAKE
- 224489 PULLER FEED CLUTCH DRIVE CONNECTION CPL. NOS. 224488 AND 263574
- 224490 PULLER FEED CLUTCH CAP
- 224491 PULLER FEED CLUTCH (DRIVE)

- 224492 PULLER FEED CLUTCH (DRIVE) CPL. NOS. 224491 AND 263574
- 224494 PULLER FEED CLUTCH ROLLER SPRING (6)
- 224495 PULLER FEED CLUTCH SLEEVE WITH TWO 50375
- 224496 PULLER FEED CLUTCH CPL. NOS. 131725, 201457, 224489, 224490, 224492, 224495, 268442 WITH THREE 200106 AND SIX EACH 68152, 131717 AND 224494
- 237016 PULLER FEED COVER PLATE
- 263574 PULLER FEED CLUTCH ROLLER WEAR PLATE (6)
- 268442 PULLER FEED CLUTCH DRIVE CONNECTION CPL. NOS. 1036 AND 350636
- 350636-833 PULLER FEED CLUTCH (DRIVE) CONNECTION FINCH SCREW

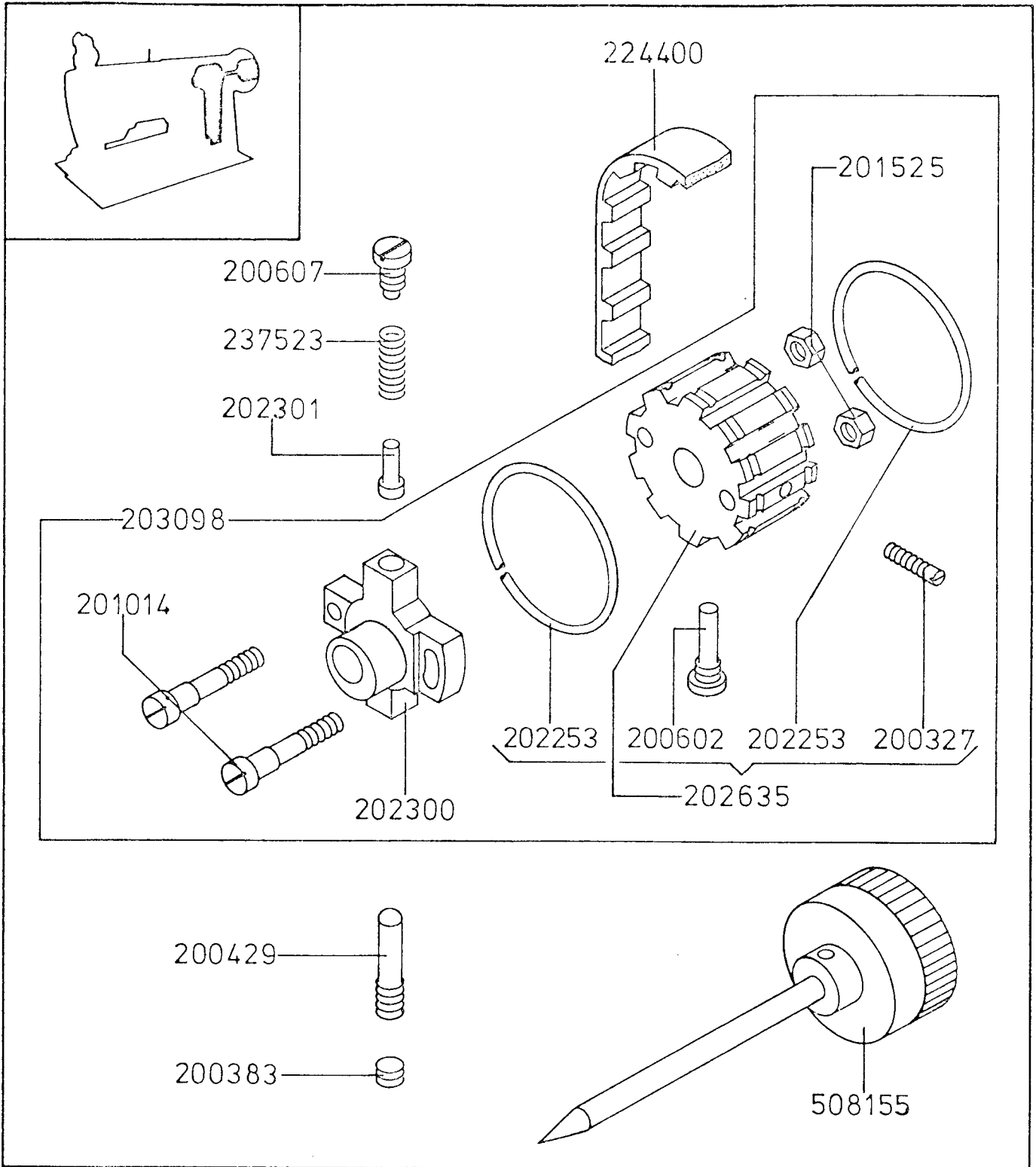
STITCH REGULATING MECHANISM



107 G 235 - 130 (0671)

200038-ES0	FEED DRIVING CONNECTION CRANK PINCH SCREW
200050-ES0	FEED LIFTING CONNECTION CRANK PINCH SCREW
200054-ES0	FEED DRIVING CONNECTION PINCH SCREW
200054-ES0	FEED LIFTING CONNECTION PINCH SCREW
200378-ES0	FEED LIFTING CONNECTION CRANK SET SCREW
200382-ES0	FEED LIFTING CONNECTION ECCENTRIC SET SCREW
200382-ES0	NEEDLE VIBRATING FINION SET SCREW 2
200437-ES0	FEED LIFTING CONNECTION ECCENTRIC POSITION SCREW
200437-ES0	FEED DRIVING CONNECTION HINGE SCREW
200545-ES0	FEED LIFTING CONNECTION HINGE SCREW
201518-ES0	FEED DRIVING CONNECTION HINGE SCREW NUT
201518-ES0	FEED LIFTING CONNECTION HINGE SCREW NUT
202297	FEED DRIVING CONNECTION CPL. NOS. 200054 AND 203101
202306	FEED LIFTING CONNECTION CPL. NOS. 200054 AND 203101

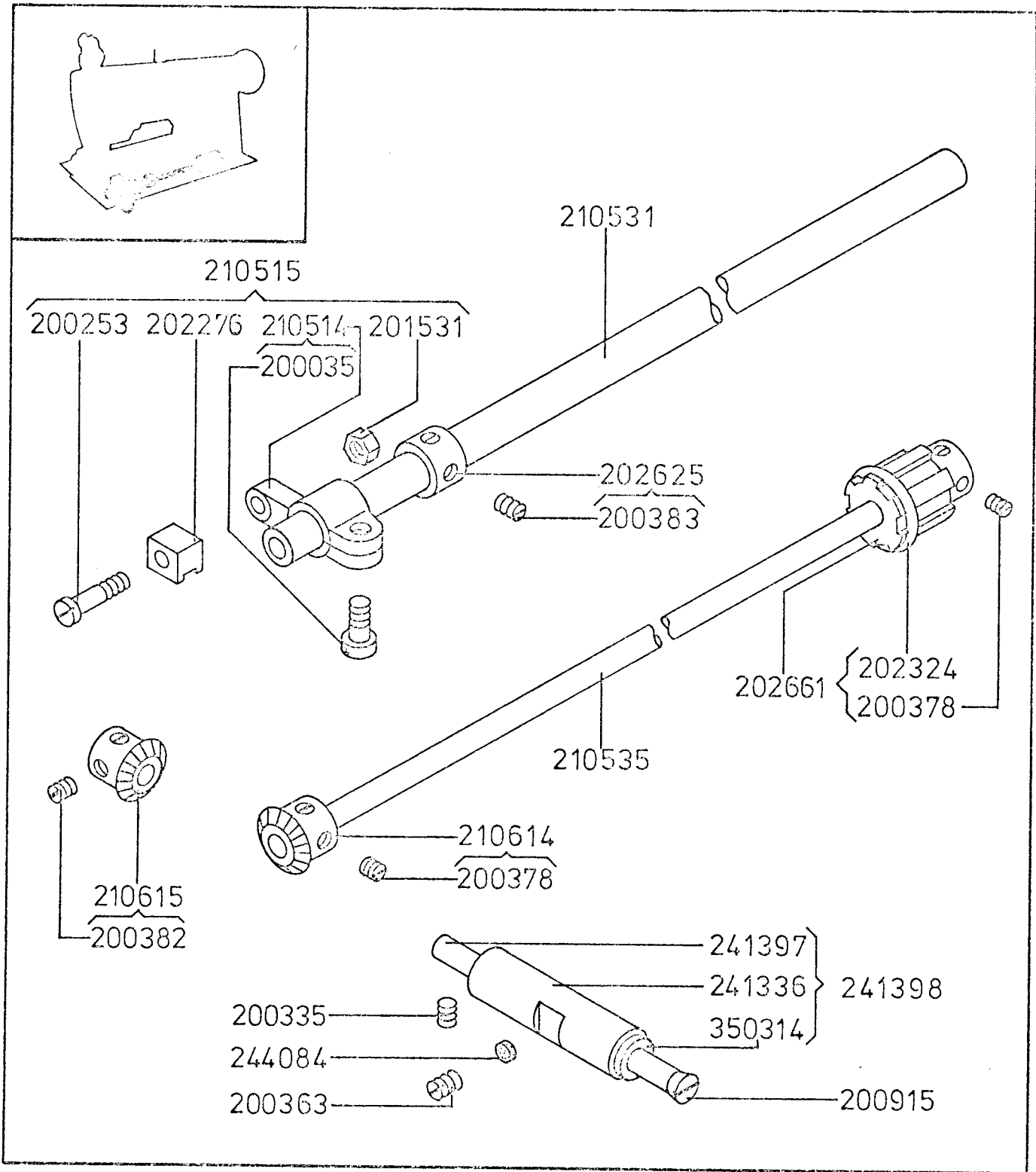
202624	FEED DRIVING CONNECTION CRANK WITH 200038
203101	FEED LIFTING CONNECTION OIL PACKING WICK
203101	FEED DRIVING CONNECTION OIL PACKING WICK
210589	FEED LIFTING CONNECTION CRANK CPL. NOS. 200050, 200378 AND 210645
210645	FEED LIFTING CONNECTION CRANK
210700	NEEDLE VIBRATING FINION (SPIRAL) WITH TWO 200382
266053	FEED LIFTING CONNECTION ECCENTRIC CPL. NOS. 200382 AND 20645
396530	FEED LIFTING CONNECTION CPL. NOS. 200545 201518, 202297 AND 210589
396533	FEED DRIVING CONNECTION CPL. NOS. 200545 201518, 202297 AND 202624



107 G 235 - 140 (0671)

200327-833	ARM SHAFT CONNECTION BELT PULLEY SET SCREW
200383-850	FEED DRIVING ECCENTRIC REGULATING SCREW CHECK SCREW
200429-850	FEED DRIVING ECCENTRIC REGULATING SCREW
200602-850	ARM SHAFT CONNECTION BELT PULLEY POSITION SCREW
200607-850	FEED DRIVING ECCENTRIC REGULATING BRACKET PLUNGER SPRING STOP SCREW
201014-850	FEED DRIVING ECCENTRIC REGULATING BRACKET STOP AND HINGE SCREW (2)
201525-850	FEED DRIVING ECCENTRIC REGULATING BRACKET STOP SCREW AND HINGE SCREW (2)
202253	ARM SHAFT CONNECTION BELT PULLEY SPRING FLANGE (2)

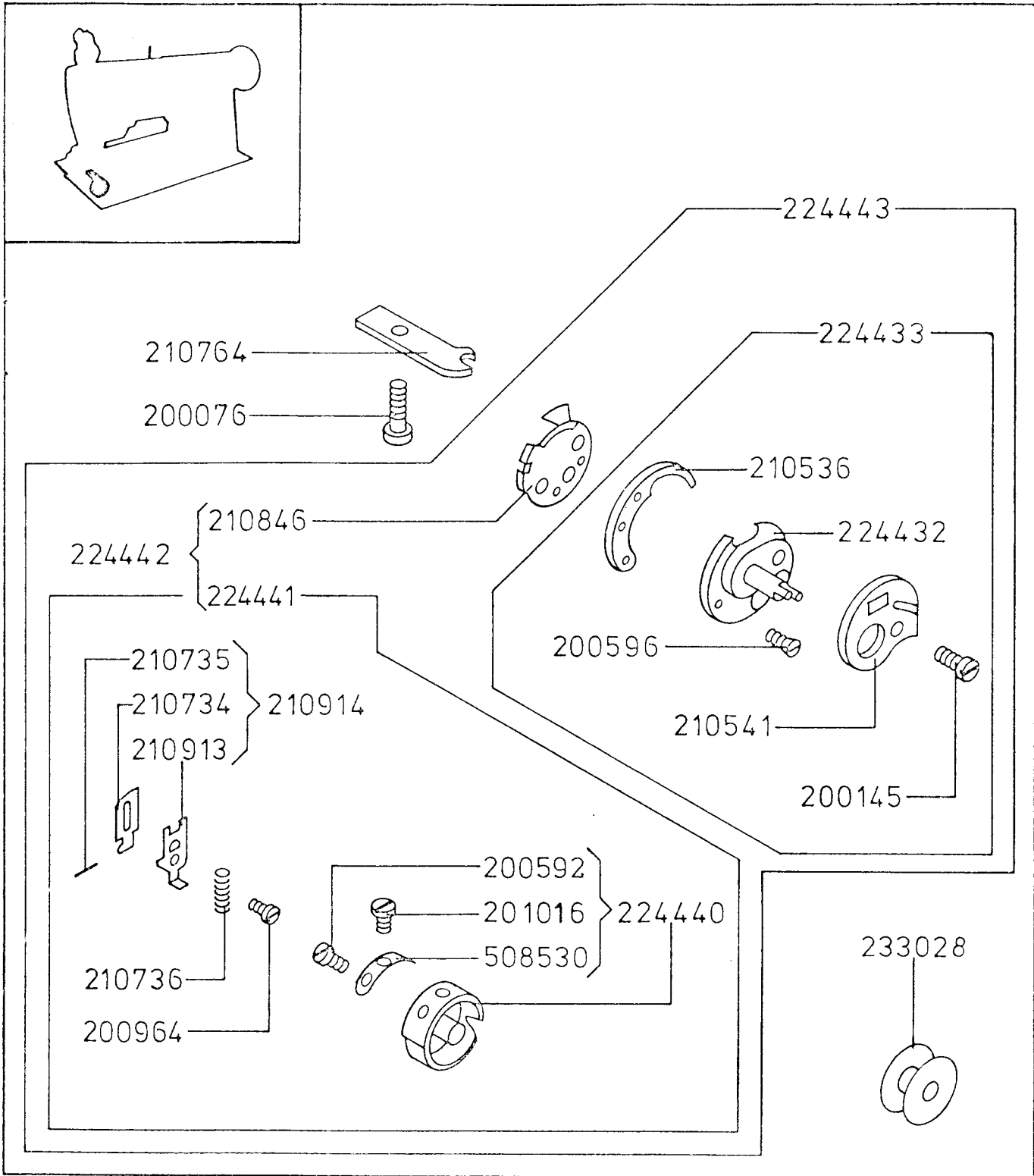
202300	FEED DRIVING ECCENTRIC REGULATING BRACKET PLUNGER
202301	FEED DRIVING ECCENTRIC REGULATING BRACKET PLUNGER
202635	ARM SHAFT CONNECTION BELT PULLEY CPL. NOS. 200327, 200602 AND TWO 202253
203098	FEED DRIVING ECCENTRIC REGULATING BRACKET CPL. NOS. 202300, 202635 AND TWO EACH 201014 AND 201525
224400	ARM SHAFT CONNECTION BELT REINFORCED NEOPRENE
237523	FEED DRIVING ECCENTRIC REGULATING BRACKET PLUNGER SPRING
508155	FEED REGULATING SPINDLE INSERT



107 G 235 - 150 (0671)

200035-850	FEED BAR SLIDE BLOCK CRANK PINCH SCREW
200220-850	FEED BAR SLIDE BLOCK HINGE SCREW
200253-850	HOOK SHAFT LIFTING SET SCREW
200227-850	HOOK SHAFT LIFTING SET SCREW
200378-850	HOOK DRIVING LEVEL PINION SHAFT BELT PULLEY SET SCREW (2)
210614-850	HOOK DRIVING LEVEL PINION SET SCREW (2)
210615-850	HOOK DRIVING BEVEL GEAR SET SCREW (2)
200227-850	FEED LIFTING SHAFT STOP COLLAR SET SCREW (2)
200227-850	HOOK POSITIONING SCREW
210031-850	FEED BAR SLIDE BLOCK HINGE SCREW NUT
210031-850	FEED BAR SLIDE BLOCK
210031-850	HOOK DRIVING LEVEL PINION SHAFT BELT PULLEY SPRING FLANGE
200253	FEED LIFTING HOOK SHAFT STOP COLLAR WITH TWO 200227
210031	HOOK DRIVING LEVEL PINION SHAFT BELT PULLEY CPL. NOS. 200378 AND 210614

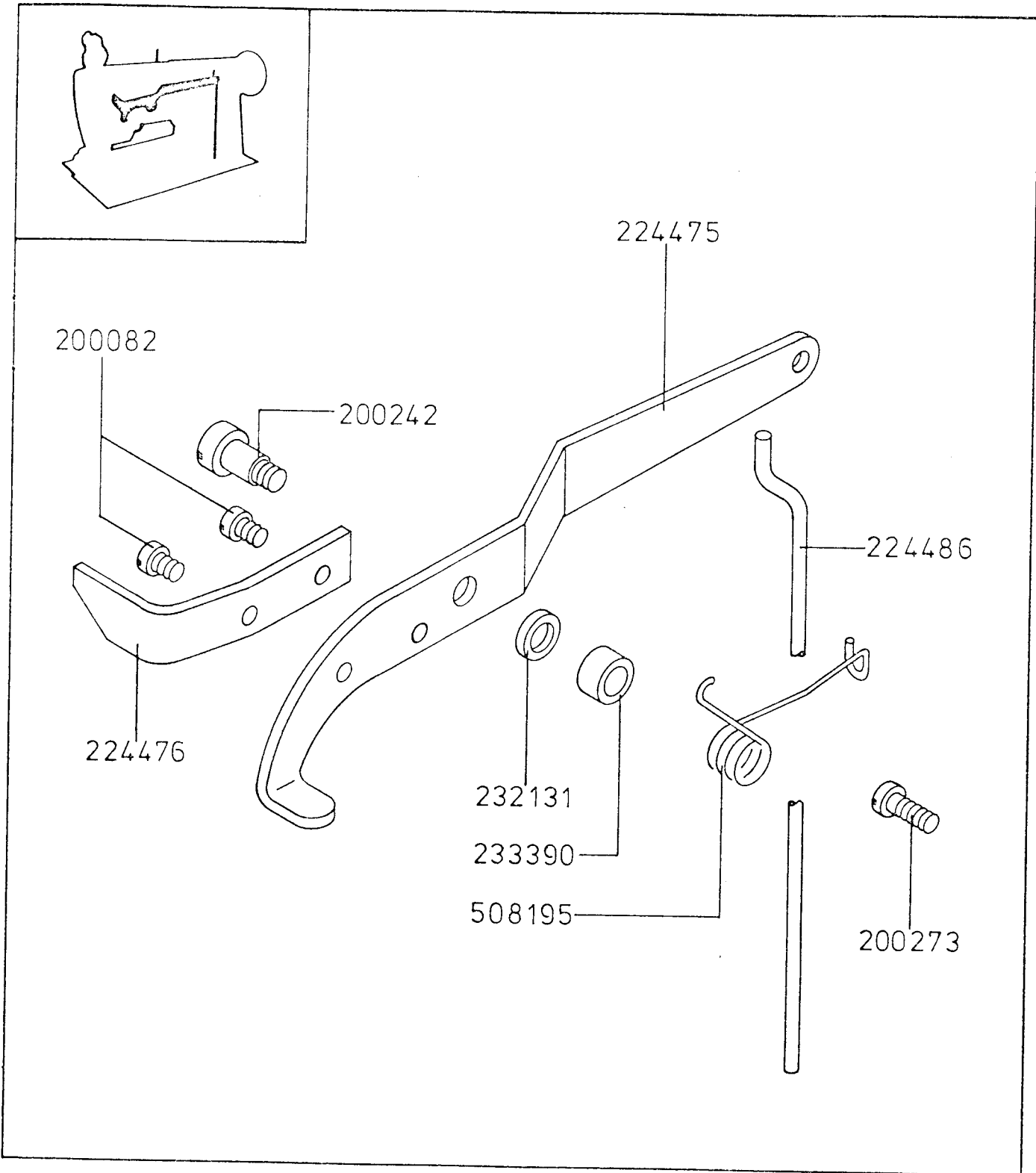
210514	FEED BAR SLIDE BLOCK CRANK WITH 200035
210515	FEED BAR SLIDE BLOCK CRANK CPL. NOS. 200253, 201531, 200227 AND 210514
210531	FEED LIFTING HOOK SHAFT (HOLLOW) AND HOOK DRIVING SHAFT BEARING
210535	HOOK DRIVING BEVEL PINION SHAFT
210614	HOOK DRIVING BEVEL PINION (STEEL) 24 TEETH WITH TWO 200378
210615	HOOK SHAFT LEVEL GEAR (STEEL) 24 TEETH WITH TWO 200382
241396	HOOK SHAFT BUSHING
241397	HOOK SHAFT HOLLOW
241398	HOOK SHAFT BUSHING CPL. NOS. 241336, 241397 AND 350314
241399	HOOK SHAFT BUSHING SET SCREW PACKING (FIBER)
241399	HOOK SHAFT POSITION SCREW



107 G 235 - 160 (0671)

200076-850	BOBBIN CASE STOP SCREW
200145-850	HOOK WASHER NEEDLE GUARD SCREW
200592-850	BOBBIN CASE TENSION SPRING SCREW
200596-850	HOOK GIB SCREW (3)
200964-850	BOBBIN CASE LATCH STOP SCREW
201016-850	BOBBIN CASE TENSION SPRING REGULATING SCREW
210536	HOOK GIB
210734	HOOK WASHER NEEDLE GUARD
210735	BOBBIN CASE LATCH LEVER
210736	BOBBIN CASE LATCH FULCRUM PIN
210736	BOBBIN CASE LATCH SPRING
210764	BOBBIN CASE STOP
210945	BOBBIN CASE CAP

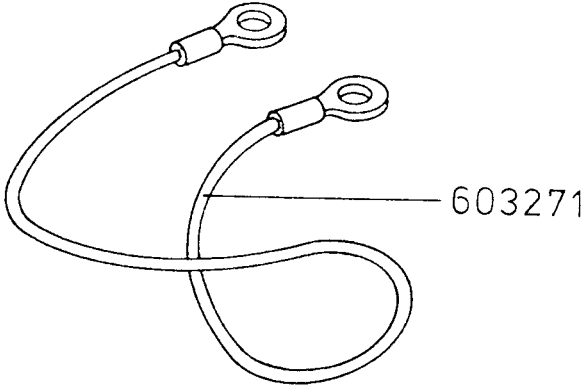
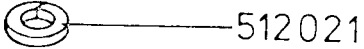
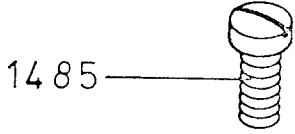
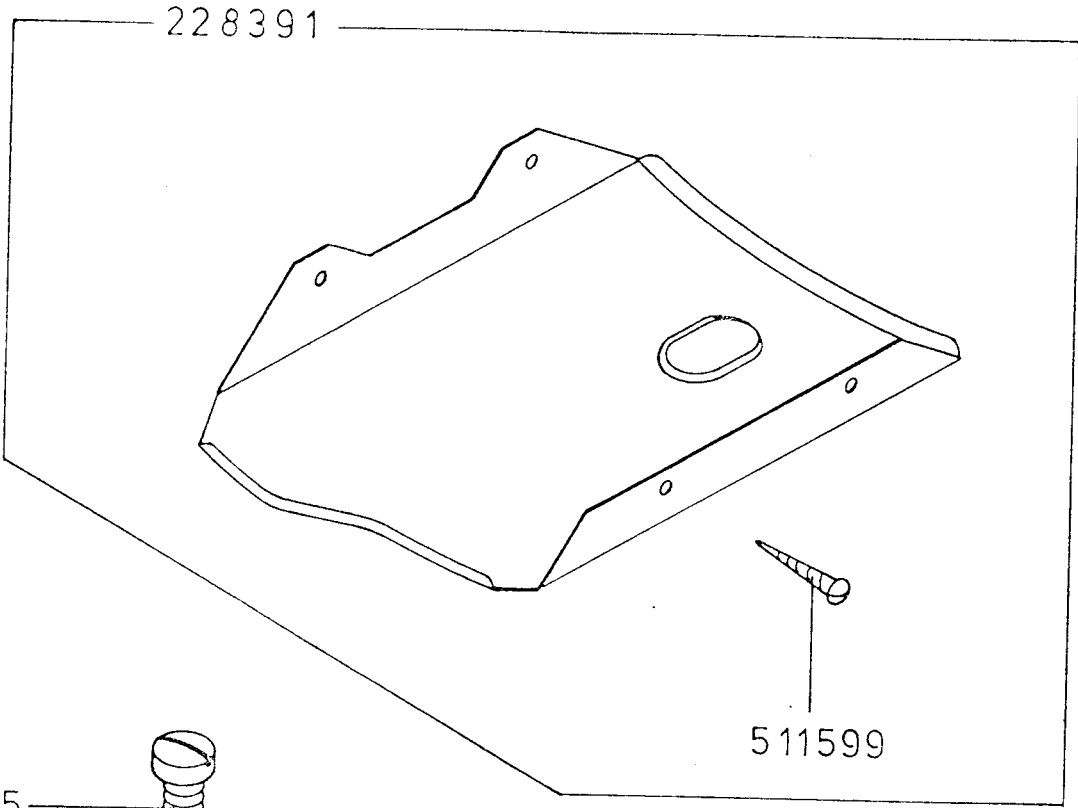
210913	BOBBIN CASE LATCH
210914	BOBBIN CASE LATCH CPL. NOS. 210734, 210735 AND 210913
224432	HOOK (SEWING)
224433	HOOK CPL. NOS. 200145, 210536, 210541, 224432 WITH THREE 200592
224440	BOBBIN CASE CAP CPL. NOS. 200592, 201016 AND 508530
224441	BOBBIN CASE CAP CPL. NOS. 200964, 210736, 210914 AND 224440
224442	BOBBIN CASE CPL. NOS. 210846 AND 224441
224443	HOOK AND BOBBIN CASE CPL. NOS. 224433 AND 224442
233028	BOBBIN
508530	BOBBIN CASE TENSION SPRING



107 G 235 - 170 (0671)

200082	FOOT LIFTER LEVER EXTENSION SCREW (2)
200242	FOOT LIFTER LIFTING LEVER HINGE SCREW
200273	FOOT LIFTER LIFTING LEVER SPRING SCREW
224475	FOOT LIFTER LIFTING LEVER
224476	FOOT LIFTER LIFTING LEVER EXTENSION

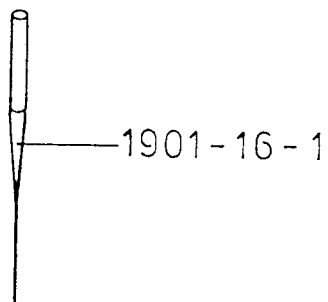
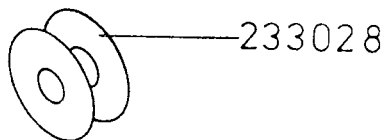
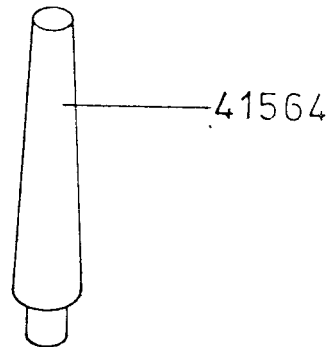
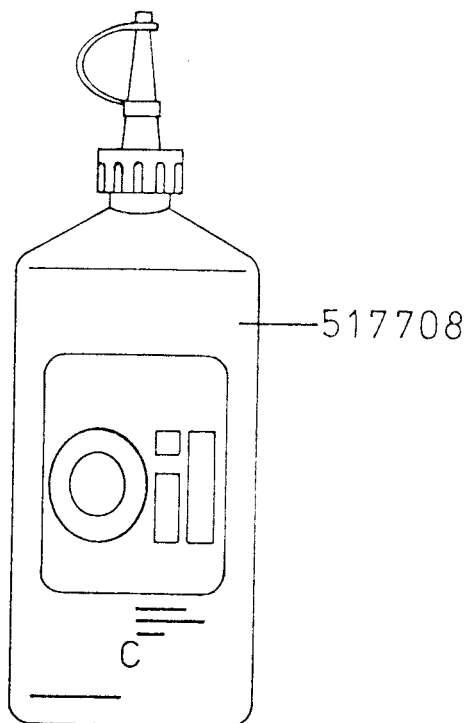
224486	FOOT LIFTER LIFTING LEVER ROD
232131	FOOT LIFTER LIFTING LEVER WASHER
233390	FOOT LIFTER LIFTING LEVER WASHER
508195	FOOT LIFTER LIFTING LEVER SPRING



107 G 235 - 190 (0671)

001405-E50 ATTACHMENT SCREW
 228391 DRILL WITH FOUR 511599
 511599-005 DRILL WOOD SCREW (4)

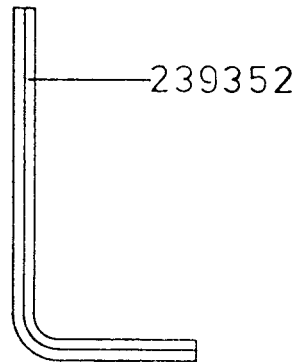
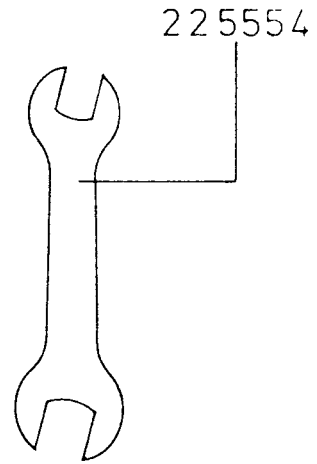
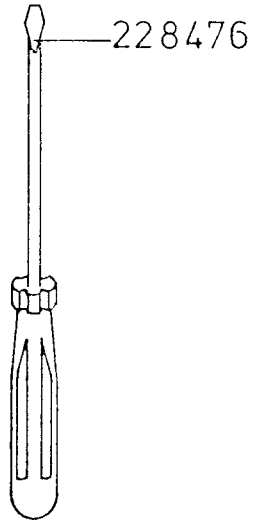
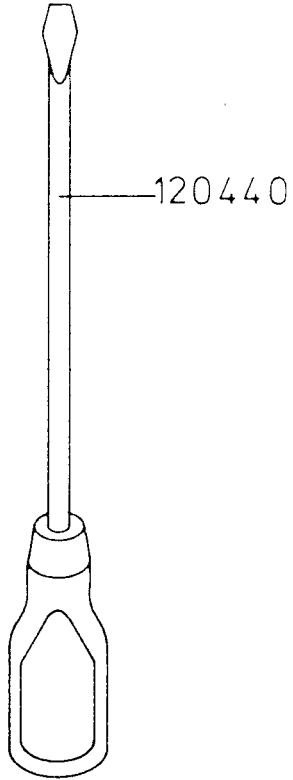
512021 GROUNDING WIRE WASHER
 603271 GROUNDING WIRE



107 G 235 - 200 (0671)

1901-16-1 NEEDLES
041564 MACHINE REST PIN (WOOD)

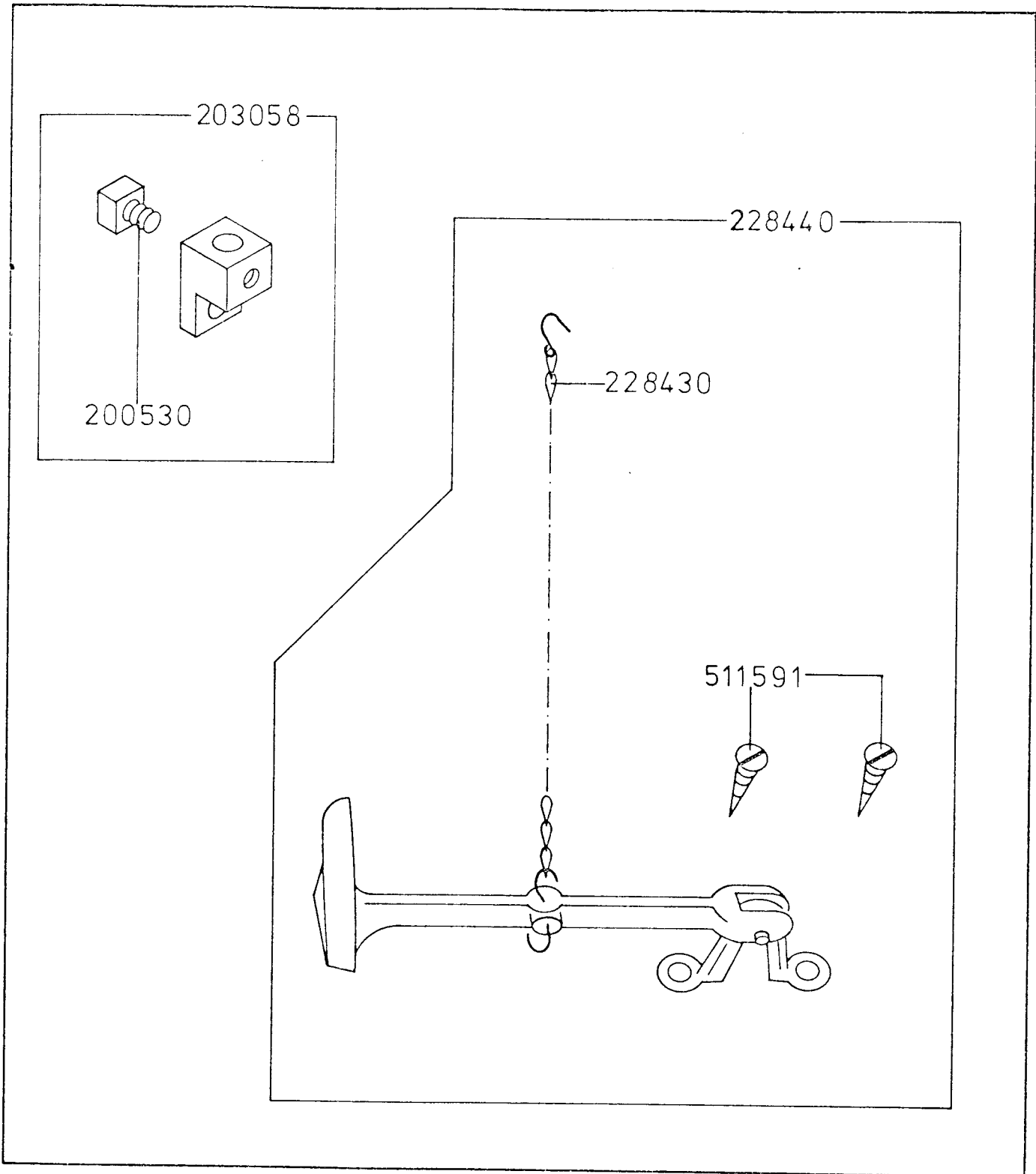
233028 BOBBIN (2)
517703 OILER SPOUT



107 G 235 + 210 (0671)

120440 SCREW DRIVER (LONG)
225554 WRENCH (STEEL)

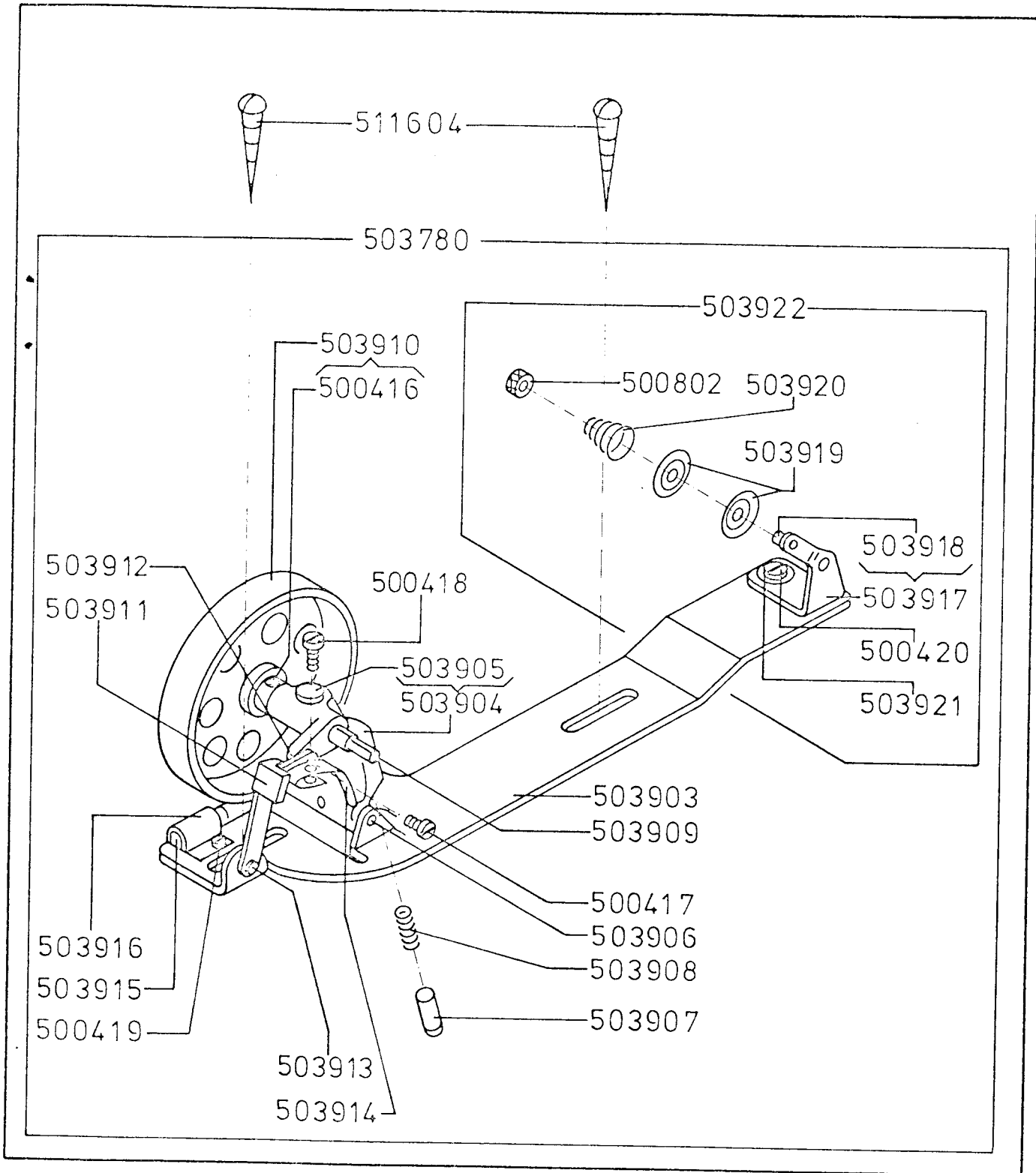
228476 SCREW DRIVER (ROBBIN CASE)
239352 WRENCH (HEXAGON)



107 G 235 - 220 (0671)

200530-650 FOOT LIFTER LIFTING LEVER ROD COUPLING
SCREW
203058 FOOT LIFTER LIFTING LEVER ROD COUPLING WITH
200530

228430 FOOT LIFTER LIFTING LEVER CHAIN
228440 FOOT LIFTER LIFTING LEVER CPL. NOS. 228430 AND
TWO 511591
511591-805 FOOT LIFTER LIFTING LEVER MOUNTING WOOD SCREW (2)



107 G 235 - 230 (0671)

500416-850	PULLEY SET SCREW
500417-819	STOP LATCH TRIP LEVER HINGE SCREW
500418-819	STOP LATCH SCREW
500419-819	BRAKE CLAMP SCREW
500420-819	TENSION BRACKET SCREW
500602-819	TENSION STUD THUMB NUT
503780	UNIVERSAL BOBBIN WINDER FOR "V" BELT DRIVES CPL. NOS. 500417, 500418, 500419, 502903, 503904, 503906, 503907, 503908, 503909, 503910, 503911, 503912, 503913, 503914, 503915, 503916 AND 503922
503903	BOBBIN WINDER AND TENSION BRACKET BASE
503904	FRAME WITH 503905
503905	FRAME OIL CUP (PLASTIC)
503906	FRAME HINGE PIN
503907	FRAME SPRING FLUNGER
503908	FRAME SPRING
503909	SPINDLE

503910	PULLEY WITH 500416
503911	STOP LATCH THUMB LEVER
503912	STOP LATCH TRIP LEVER
503913	STOP LATCH THUMB LEVER HINGE JOINT STUD
503914	STOP LATCH
503915	BRACKET (RUBBER)
503916	BRAKE CLAMP
503917	TENSION BRACKET WITH 503918
503918	TENSION STUD
503919	TENSION DISC
503920	TENSION SPRING
503921	TENSION BRACKET SCREW WASHER
503922	TENSION BRACKET CPL. NOS. 500420, 500602, 503917, 503920, 503921 AND TWO 503919
511604-855	BOBBIN WINDER MOUNTING WOOD SCREW (2)