

SINGER
111W151

Form 2654w

(440)

PRINTED IN U. S. A.

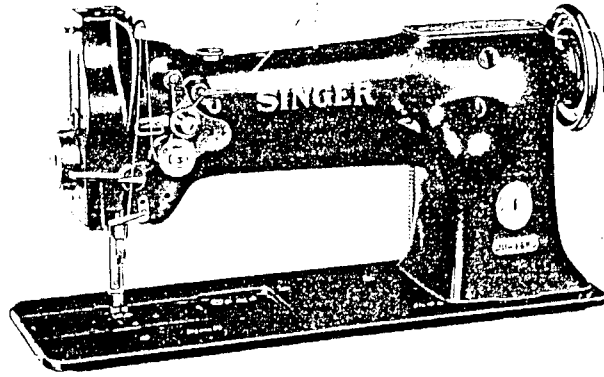
SINGER**

III w 151



THE SINGER MANUFACTURING COMPANY

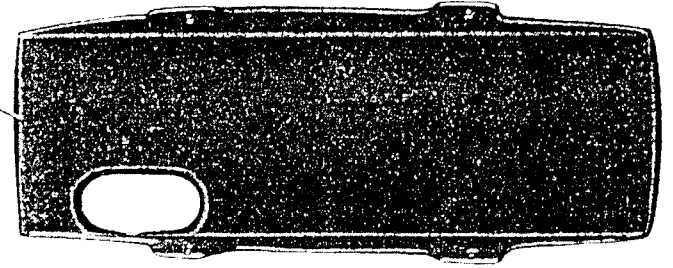
** A Trademark of THE SINGER MANUFACTURING COMPANY



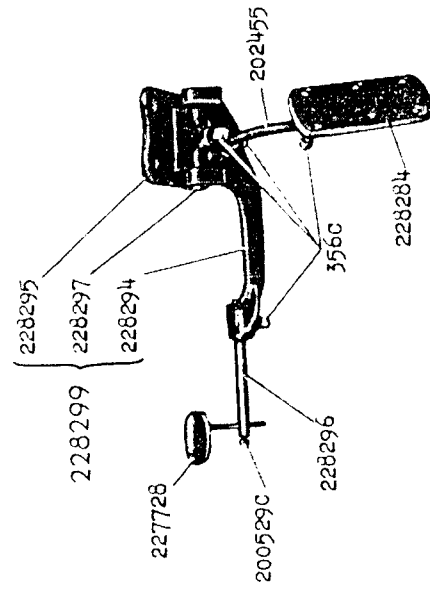
Copyright, U. S. A., 1938 and 1940
 by The Singer Manufacturing Co.
 All Rights Reserved for all Countries

16258 - 1/6

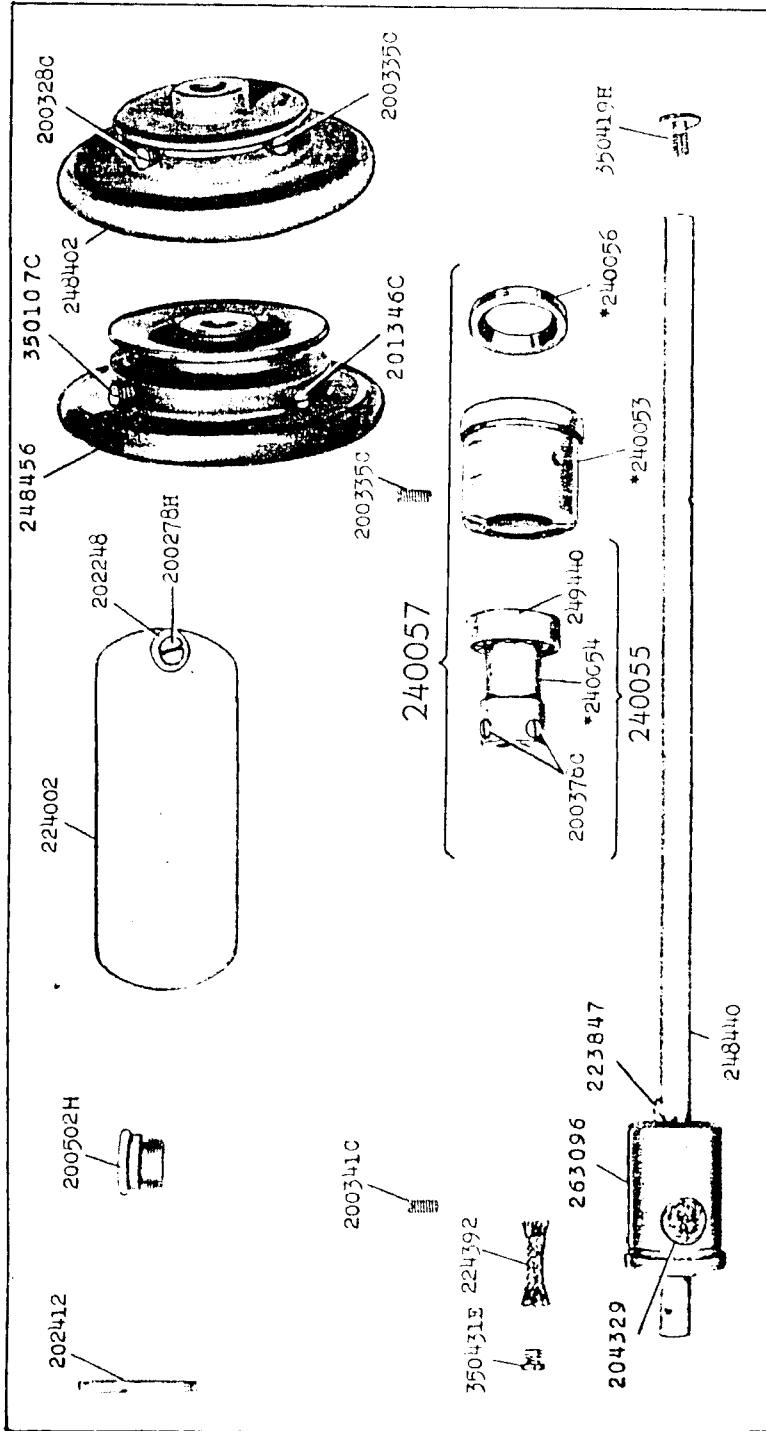
224121



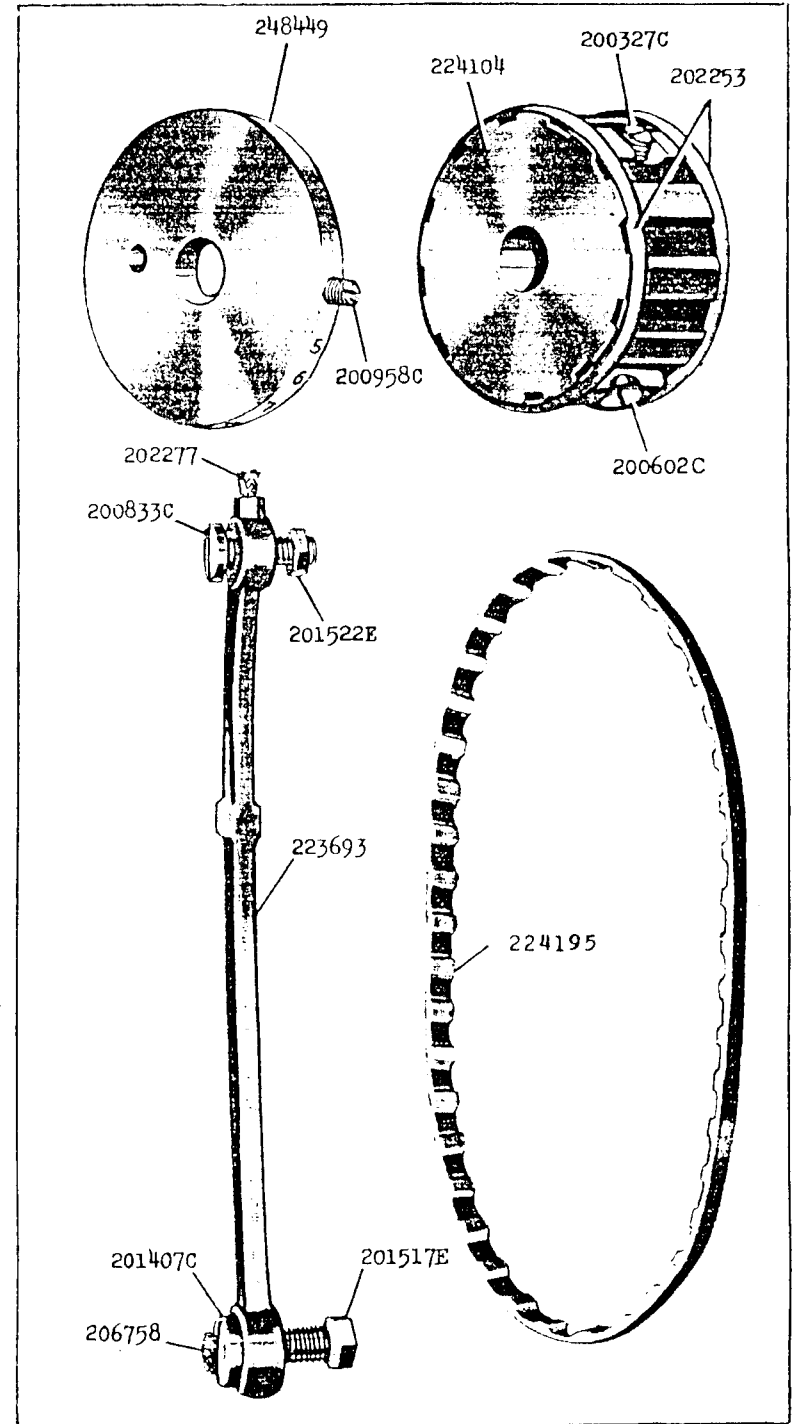
228298



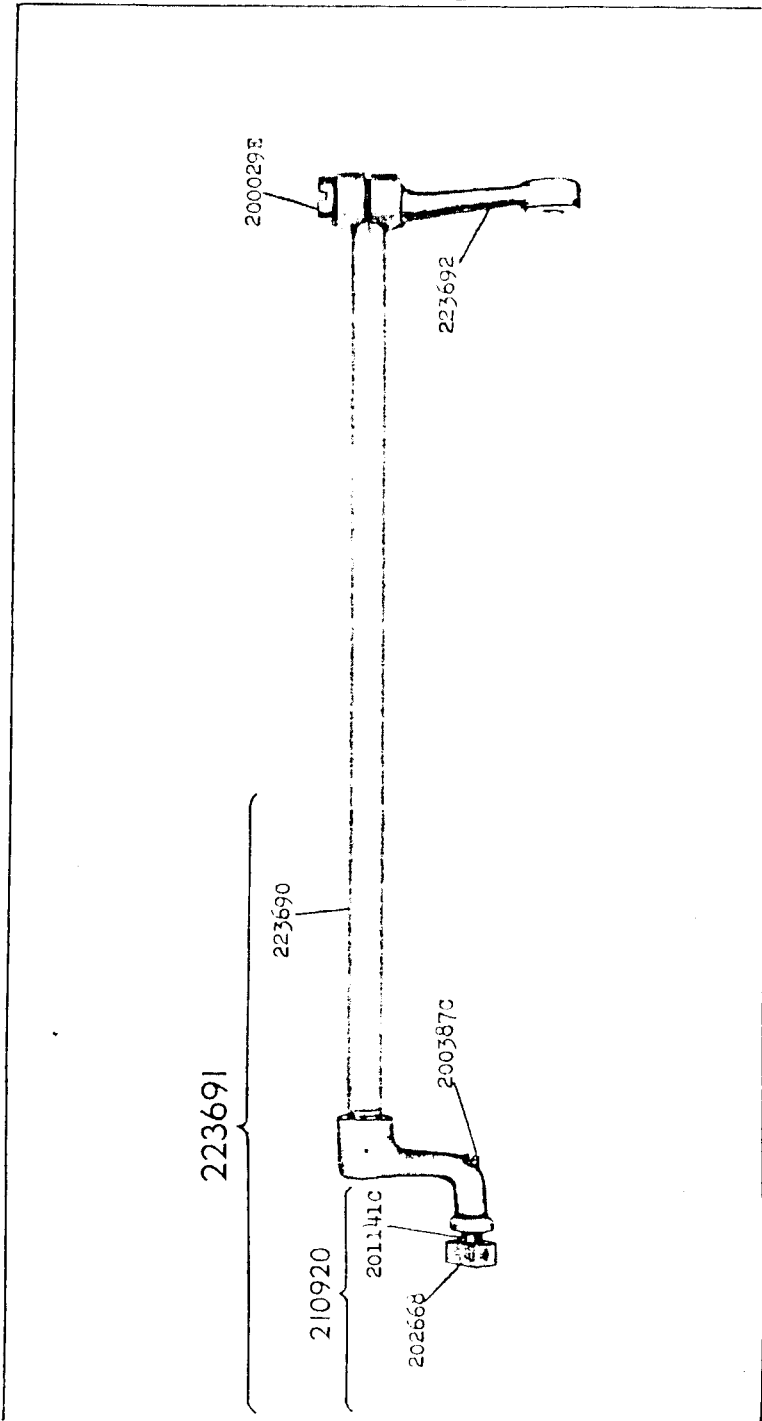
16603 - 3/8



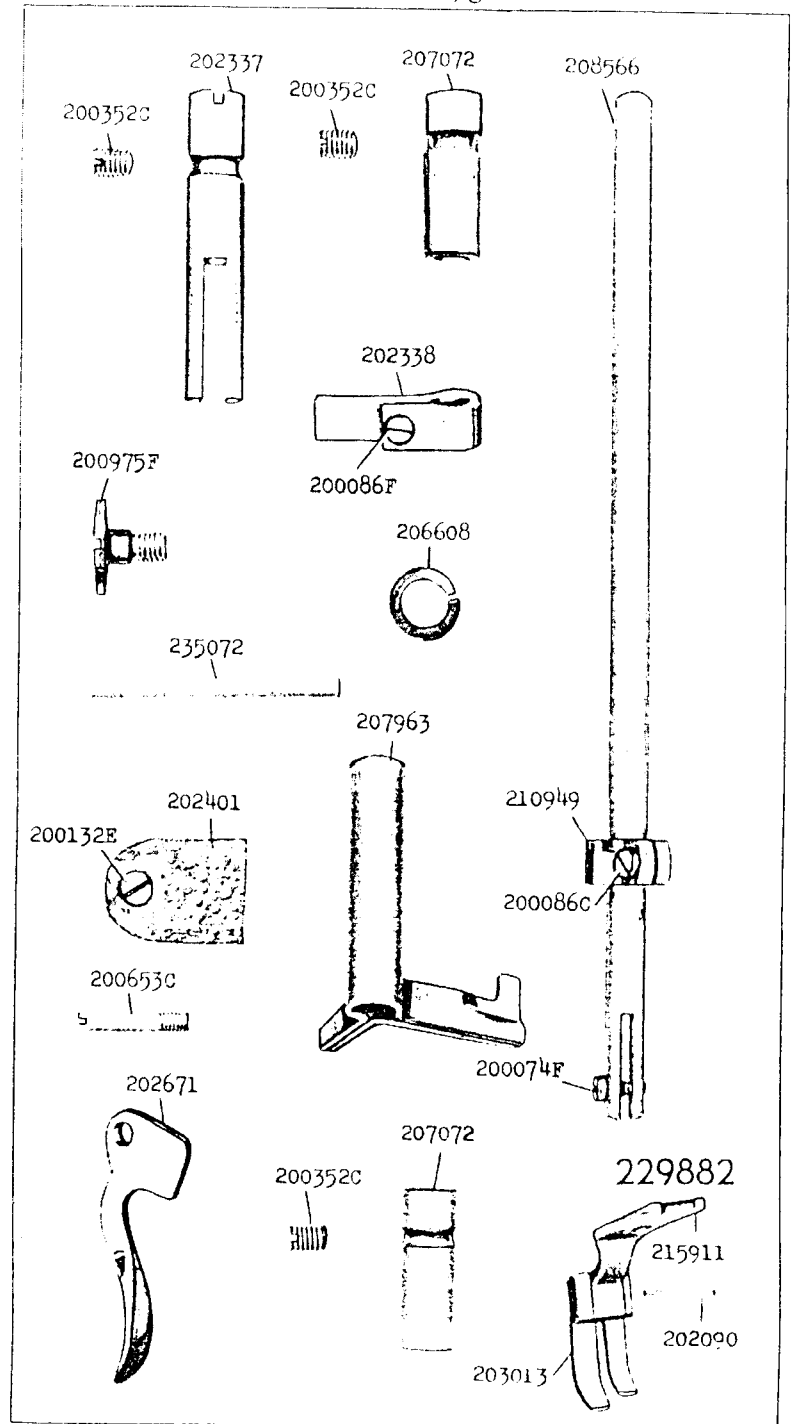
16604 - 3/8



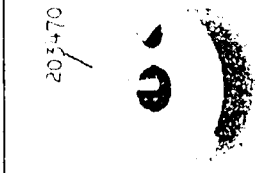
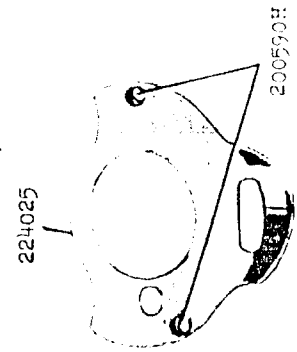
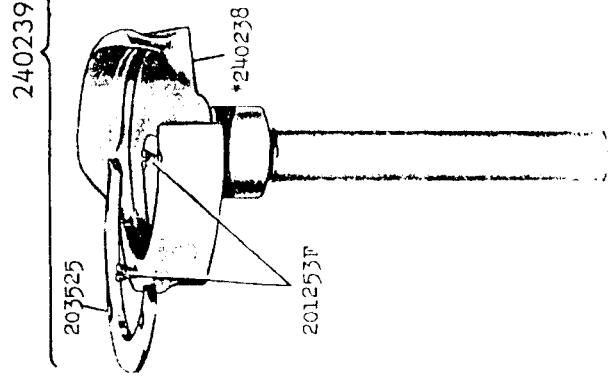
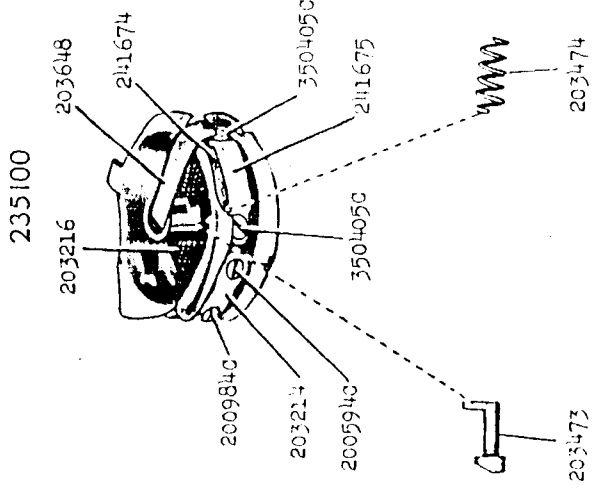
16609 - 1/2



16611 - 5/8

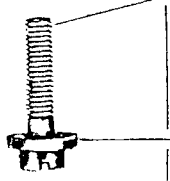
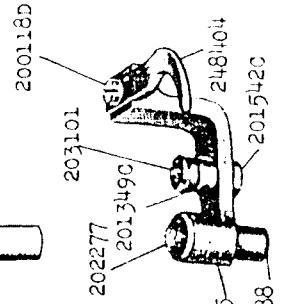
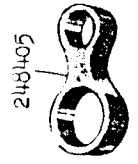
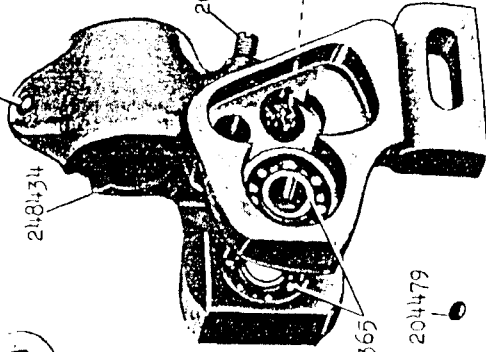
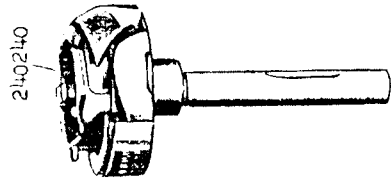
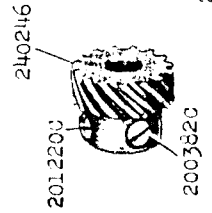
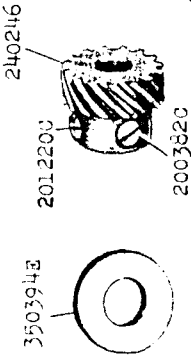
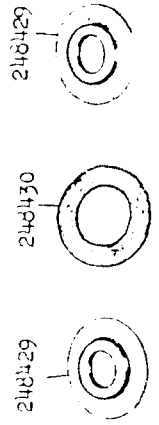


240240



16617

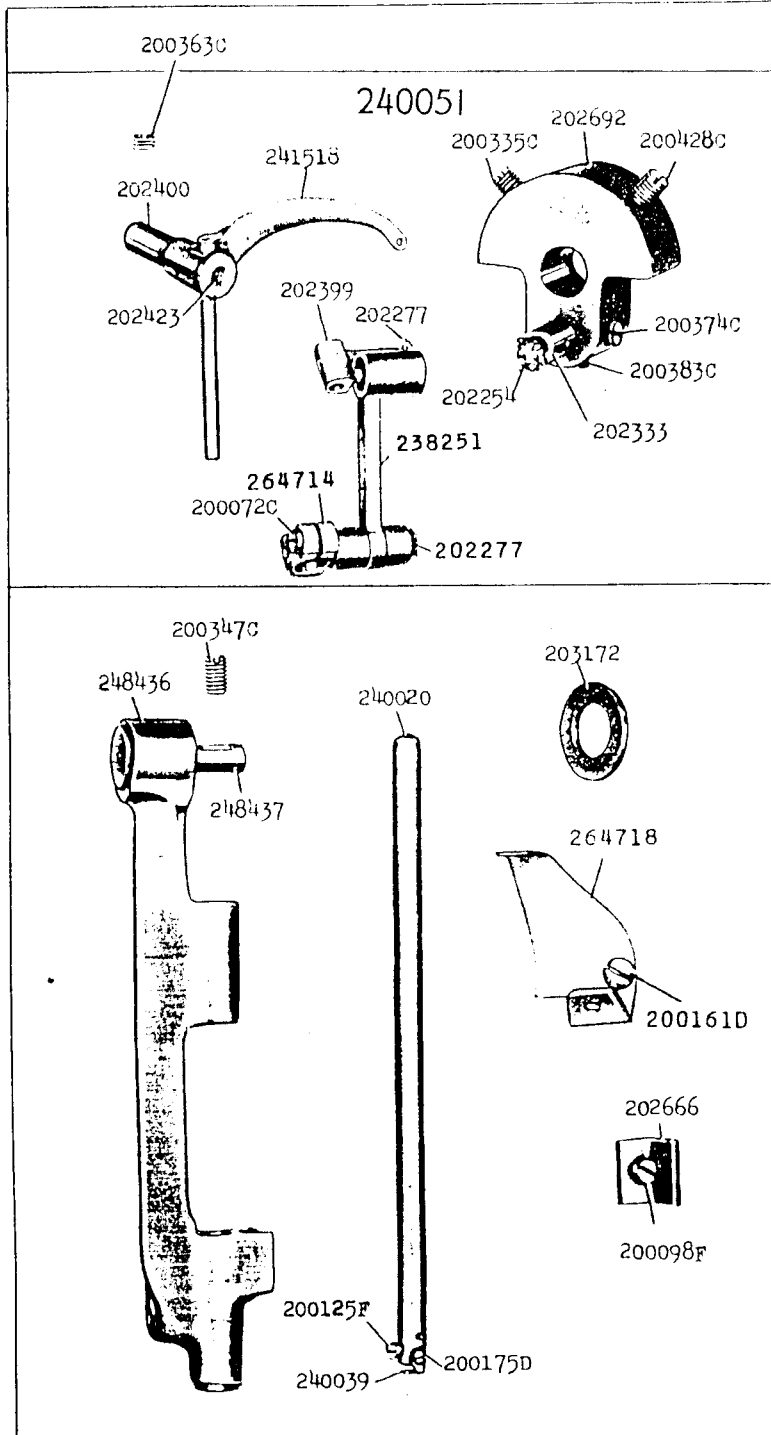
240242



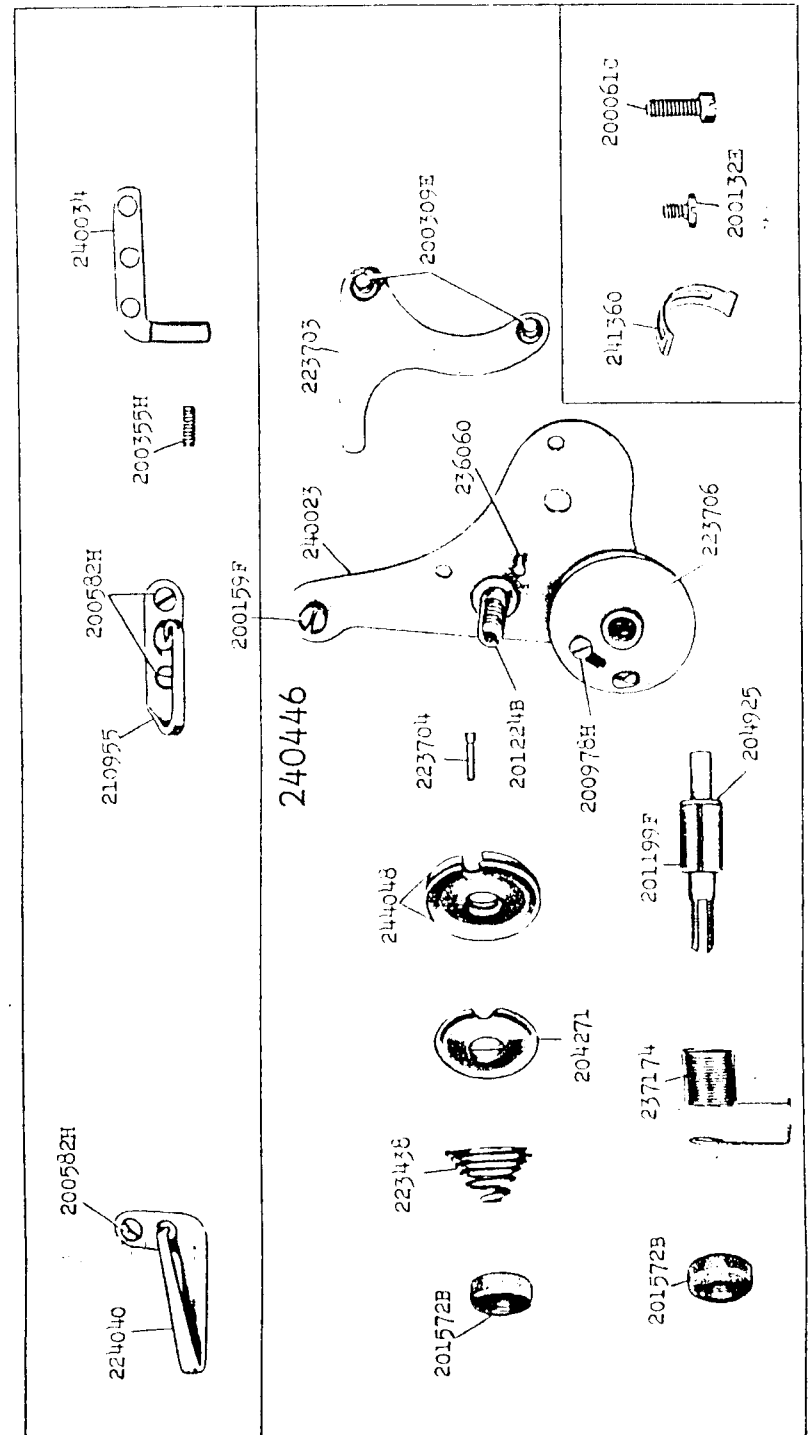
200006E

16618 - 5/8

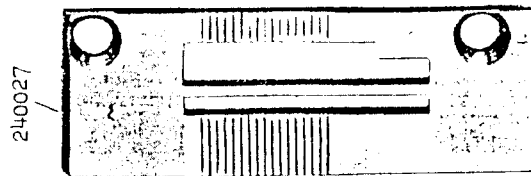
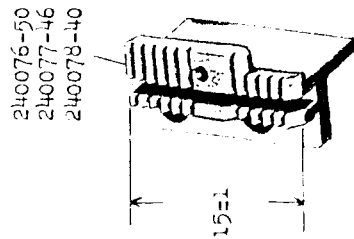
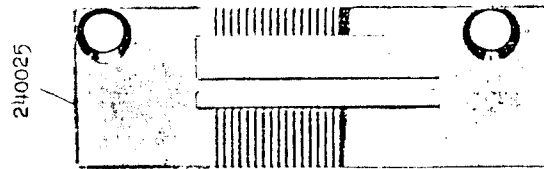
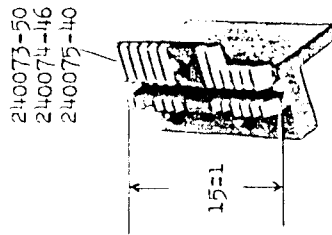
16619 - 1/2



16620 - 2/3



16623



17620 - 1/3

227955

