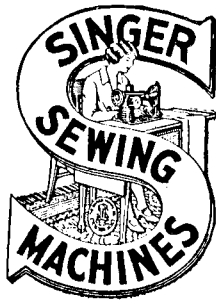


**SINGER**  
**110W102,W103**

# LIST OF PARTS



## MACHINES

Nos. 110w102 and 110w103

---

THE SINGER MANUFACTURING COMPANY

## INDEX

	PAGE
ACCESSORIES .....	18
BOBBIN WINDER .....	18
FEED GEARS .....	21
"    WHEELS .....	22
KNEE LIFTER .....	19
MACHINE No. 110w102 .....	7
"    "    110w103 .....	17
NUMERICAL LIST OF PARTS .....	23

## Instructions for Ordering

In ordering from this list, use **ONLY** the **PART** number in the **FIRST** column.

The number stamped on a Sewing Machine Part is the number of the Single Part only, except when the part includes Set Screws, Clamping Screws, Studs and Rollers Spun on, Small Wires riveted, or Parts soldered together, etc., which it is necessary to furnish in combination.

Every combination of parts sent out has its specific number which, although not stamped on Parts (except in above cases) must be used when ordering the combination.

Each number always indicates the **SAME PART** in whatever list it appears, or for whatever Machine.

The letters after some of the numbers indicate the style of finish only, as follows:

- A. Hardened, Polished and Plated.
- B. Polished and Plated.
- C. Hardened only.
- D. Polished only.
- E. Soft, not polished.
- F. Hardened and Polished.
- H. Blued.

These letters **MUST BE USED** when they appear in the list and **AFTER** the number, as in the list.

In this series

200001 to 201500 are Screw Numbers.

201501 to 201800 are Nut Numbers.

201801 to 202000 are Roller Numbers.

202001 and upward are numbers of Machine Parts.

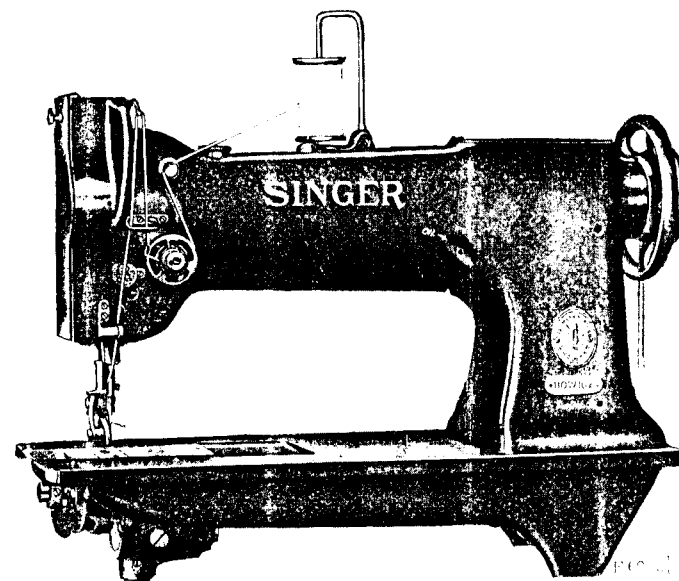
The figures in the second column refer only to the plate in which the illustration of the part is shown and are **NOT TO BE USED** in ordering.

Two or more numbers over a cut indicate that the difference between such parts is not visible in an illustration.

Parts marked with an asterisk (\*) are furnished only when repairs are made at the factory.

## LIST OF PARTS COMPLETE

FOR



### MACHINE No. 110w102

VERTICAL HOOK. ROLLER PRESSER.  
CONTINUOUS WHEEL FEED

For Leather Work

No.	Plate	Name
*237701	----	Arm .....
202247	14396	" Cap .....
200278H	14176	" " Screw .....
202248	14176	" " " Washer .....
204235	14398	" Position Pin (2) .....
200010E	14176	" Screw (2) .....
200004E	14176	" " .....
202005	14176	" " Washer (3) .....
237702	14397	" Shaft with 200357E and 203100
237748	14396	" " Bushing (back) with
		202299 .....
202299	----	Arm Shaft Bushing (back) Oil
		Packing (wick) .....

No.	Plate	Name
200071E	14176	Arm Shaft Bushing (back) Screw (3) .....
207080	14396	Arm Shaft Bushing (front) with 202244 .....
202244	---	Arm Shaft Bushing (front) Oil Packing (wick) .....
200502B	14176	Arm Shaft Bushing (front) Oil Packing Thumb Screw .....
200338c	14176	Arm Shaft Bushing (front) Set Screw .....
203100	---	Arm Shaft Oil Packing (wick) ...
200357E	14176	" " " " Stop Screw
202632	14396	" Side Plate .....
200462B	14176	" " " Thumb Screw ....
223842	14397	Balance Wheel (belt groove 2 3/4 in. diam.) with 200328c and 200335c
200062H	14176	Balance Wheel Adjusting Screw..
200328c	14176	" " Position Screw ...
200335c	14176	" " Set Screw .....
*238601	---	Bed .....
240003	14396	" Slide (back) .....
213750H	14396	" " (front) .....
203470	14176	Bobbin .....
*203520	---	" Case .....
203648	14176	" " Latch .....
*202056	---	" " " Pin .....
203473	14176	" " " Plunger .....
203474	14176	" " " Spring .....
236078	14176	" " Lever .....
*203476	---	" " " Eccentric .....
204243	14176	" " " Position Pin
235751	14176	" " " Fulcrum .....
200056D	10884	" " " " Screw ....
203478	14176	" " " Slide Stud .....
203214	14176	" " Tension Spring .....
200984c	14176	" " " " Regulat- ing Screw .....
200594c	14176	Bobbin Case Tension Spring Screw
203216	---	" " Washer (cloth) .....
203521	14176	Bobbin Case complete, Nos. 200594c, 200984c, 202056, 203214, 203216, 203473, 203474, 203520 and 203648
210911	14396	Face Plate .....
202135	14176	" " Position Pin .....
200473B	14176	" " Thumb Screw .....
237707	---	Feed Wheel .....
350085F	14398	" " Adjusting Screw ....
237708	14398	" " " " Block
238603	14400	" " Bracket with 238630 ..
238604	14400	" " " Plate .....

No.	Plate	Name
200158B	14398	Feed Wheel Bracket Plate Screw (2) .....
237710	14398	Feed Wheel Bracket Spring .....
238608	---	" " Driving Gear (for 16 stitches) .....
238609	14403	Feed Wheel Driving Gear (for 17 1/2 stitches) .....
238610	---	Feed Wheel Driving Gear (for 19 stitches) .....
238613	14398	Feed Wheel Driving Gear Key ....
238614	14398	" " " " " Shifting Collar with 201464c .....
201464c	14398	Feed Wheel Driving Gear Key Shifting Screw Stud .....
238615	14398	Feed Wheel Driving Gear Key Spring .....
201202D	14398	Feed Wheel Driving Gear Key Spring Screw .....
238616	14398	Feed Wheel Driving Gear Key Stop Pin .....
238617	14398	Feed Wheel Driving Gear Separating Washer (2) .....
238621	---	Feed Wheel Driving Pinion (for 16 stitches) .....
238622	14403	Feed Wheel Driving Pinion (for 17 1/2 stitches) .....
238623	-	Feed Wheel Driving Pinion (for 19 stitches) .....
231433	14398	Feed Wheel Driving Pinion Key ..
238632	14403	" " " " Spacing Washer (for use in place of Feed Wheel Driving Pinion when one or two lengths of stitch are required) .....
238627	14397	Feed Wheel Driving Shaft .....
237722	14400	" " " " Bushing (back) .....
238628	14400	Feed Wheel Driving Shaft Bushing (front) .....
200362c	14398	Feed Wheel Driving Shaft Bushing Set Screw .....
221743	14398	Feed Wheel Driving Shaft Collar with two 200380c .....
200380c	14398	Feed Wheel Driving Shaft Collar Set Screw .....
237724	14400	Feed Wheel Driving Shaft Gear with 200378c and 201220c .....
201220c	14398	Feed Wheel Driving Shaft Gear Position Screw .....

No.	Plate	Name
200378c	14398	Feed Wheel Driving Shaft Gear Set Screw .....
201666E	14398	Feed Wheel Driving Shaft Nut ...
203411	14398	" " " " Washer
238629	14398	" " Stud with 238616 .....
238630	14398	" " " Bushing .....
238631	14398	" " " Collar with 200152H
200152H	14398	" " " Pinch Screw
201697c	14398	" " " Nut .....
*203482	—	Hook (sewing) .....
203483	—	" 203482 with 201253E, 201376E and 203251 .....
203547	—	Hook and Bobbin Case complete, Nos. 203483 and 203521 .....
235755	14181	Hook Bevel Gear Socket, 18 teeth
235527	14181	" " " Bushing (lower) (brass) .....
200362c	14398	Hook Bevel Gear Socket Bushing (lower) Set Screw .....
235756	14181	Hook Bevel Gear Socket Bushing (upper) (brass) .....
449c	14181	Hook Bevel Gear Socket Bushing (upper) Set Screw .....
200555H	14181	Hook Bevel Gear Socket Screw ..
235635	14181	" " " " Thrust Washer .....
235529	14181	Hook Driving Bevel Gear with two 350089c .....
350089c	14181	Hook Driving Bevel Gear Set Screw
237728	14397	" " Shaft .....
235857	14181	" " " Bevel Gear with 200374c and 200396c .....
237729	14397	Hook Driving Shaft Bevel Gear Housing with 200346c and three 200362c .....
237730	14400	Hook Driving Shaft Bevel Gear Housing Cap (bottom) .....
237731	14400	Hook Driving Shaft Bevel Gear Housing Cap (bottom) Gasket..
237732	14400	Hook Driving Shaft Bevel Gear Housing Cap (side) .....
237733	14400	Hook Driving Shaft Bevel Gear Housing Cap (side) Gasket ....
200053c	14181	Hook Driving Shaft Bevel Gear Housing Cap Screw (4) .....
201082E	14181	Hook Driving Shaft Bevel Gear Housing Screw (long) .....
225532	14399	Hook Driving Shaft Bevel Gear Housing Screw (long) Washer..

737796

No.	Plate	Name
201308E	14181	Hook Driving Shaft Bevel Gear Housing Screw (short) .....
200396c	11607	Hook Driving Shaft Bevel Gear Position Screw .....
200374c	14181	Hook Driving Shaft Bevel Gear Set Screw .....
237734	14181	Hook Driving Shaft Bushing (back)
200362c	14398	" " " " " " Set Screw .....
235531	14181	Hook Driving Shaft Bushing (front)
200347c	14181	" " " " " " Set Screw .....
221743	14398	Hook Driving Shaft Collar with two 200380c .....
200380c	14398	Hook Driving Shaft Collar Set Screw .....
203251	—	Hook Gib .....
201376E	14181	" " Hinge Screw .....
201253E	14181	" " Screw .....
237735	14397	" Saddle with 449c, 200347c and three 200362c .....
235534	14400	Hook Saddle Oil Cover .....
201185D	14399	" " " " Screw (2) ..
201318E	14399	" " " Stop Screw (2) ..
235535	—	" " Oiling Felt .....
202260	—	" " " Wick .....
235649	14399	" " " " Cover ....
200169H	14399	" " " " " Screw
201308E	14181	" " Screw (2) .....
203637	—	" " " Washer (2) .....
213018	14399	" Washer with 203476 and two 204243 .....
207887	—	Knee Lifter Connection Lever ....
200262H	14399	" " " " Hinge Screw .....
237766	14397	Knee Lifter Connection Lever Lift- ing Rod with 202302 .....
202302	14399	Knee Lifter Connection Lever Lift- ing Rod Cotter Pin .....
202838	—	Knee Lifter Lifting Lever .....
200262H	14399	" " " " Hinge Screw .....
237937	14399	Needle Bar with 200141E .....
202552	11607	" " Connecting Link .....
236073	14399	" " " " Oil Guard .....
200161D	11607	Needle Bar Connecting Link Oil Guard Screw .....
202333	11607	Needle Bar Connecting Link Stud with 202254 .....

No.	Plate	Name
202254	---	Needle Bar Connecting Link Stud Oil Packing (wick) .....
200374c	14181	Needle Bar Connecting Link Stud Set Screw .....
200383c	14399	Needle Bar Connecting Link Stud Set Screw .....
*206891	----	Needle Bar Connecting Stud .....
202329	11607	" " " " 206891 with 200086c and 202330 .....
202330	----	Needle Bar Connecting Stud Oil Packing (wick) .....
200686c	11607	Needle Bar Connecting Stud Pinch Screw .....
202692	14183	Needle Bar Crank with 200335c, 200374c, 200383c, 200428c and 202333 .....
237737	---	Needle Bar Crank 202692 with 202329, 202399, 202400, 202552 and 237762 .....
203172	11607	Needle Bar Crank Friction Washer
200428c	11607	" " " Position Screw ..
200335c	14176	" " " Set Screw .....
202664	14183	" " Rock Frame .....
237738	----	" " " " 202664 with 237937 .....
*38127	---	Needle Bar Rock Frame Driving Eccentric .....
*237749	---	Needle Bar Rock Frame Driving Eccentric Body .....
350107c	14399	Needle Bar Rock Frame Driving Eccentric Body Position Screw ..
443c	14399	Needle Bar Rock Frame Driving Eccentric Body Set Screw .....
1103c	14399	Needle Bar Rock Frame Driving Eccentric Regulating Screw ...
217b	14399	Needle Bar Rock Frame Driving Eccentric Set Screw .....
7071	14399	Needle Bar Rock Frame Driving Eccentric Set Screw Washer ..
237750	---	Needle Bar Rock Frame Driving Eccentric complete, Nos. 217b, 443c, 1103c, 7071, 38127, 237749 and 350107c .....
237739	14183	Needle Bar Rock Frame Driving Fork Lever with 200029c .....
200029c	14399	Needle Bar Rock Frame Driving Fork Lever Pinch Screw .....
237740	14403	Needle Bar Rock Frame Driving Fork Lever Slide Block (two pieces) .....

No.	Plate	Name
210910	11607	Needle Bar Rock Frame Hinge Stud with 202277 .....
202277	----	Needle Bar Rock Frame Hinge Stud Oil Packing (wick) .....
200347c	14181	Needle Bar Rock Frame Hinge Stud Set Screw .....
202666	11607	Needle Bar Rock Frame Position Bracket .....
200098c	11607	Needle Bar Rock Frame Position Bracket Screw .....
202667	14397	Needle Bar Rock Frame Rock Shaft
210978	----	" " " " " " " " 202667 with 200386c and 210920 ..
202668	11607	Needle Bar Rock Frame Slide Block
210920	----	" " " " " " " " 202668 with 201141c .....
201141c	14399	Needle Bar Rock Frame Slide Block Screw Stud .....
200386c	11507	Needle Bar Rock Frame Slide Block Screw Stud Set Screw .....
200141c	11607	Needle Set Screw .....
207072	11607	Presser Bar Bushing (2) .....
200352c	14401	" " " Set Screw (2)
202671	14399	" " Lifter .....
200653c	14401	" " " Hinge Screw ...
207963	14399	" " Lifting Releasing Lever Bracket .....
200975c	14401	Presser Bar Lifting Releasing Lever Bracket Guide Screw .....
206608	14401	Presser Bar Lifting Releasing Lever Bracket Spring .....
202337	14401	Presser Bar Position Guide .....
202338	14401	" " " " Lever with 200086c .....
200086c	11607	Presser Bar Position Guide Lever Pinch Screw .....
200352c	14401	Presser Bar Position Guide Set Screw .....
210948	14397	Presser Bar Spring (flat) .....
210949	14401	" " " Bracket with 200086c .....
200086c	11607	Presser Bar Spring Bracket Pinch Screw .....
200538c	14401	Presser Bar Spring Regulating Screw .....
200948c	14401	Presser Bar Spring Support Screw
201951	----	Roller Presser, $\frac{1}{8}$ in. diam., $\frac{3}{8}$ in. face (fine) .....

No.	Plate	Name
201952	14401	Roller Presser 201951 with 1528J, 201699c, 350104c and twenty-eight 206417 .....
203422	14401	Roller Presser Arm .....
203432	—	" " " 203422 with 201952 .....
202560	14401	Roller Presser Arm Bracket (swing)
237772	—	" " " " 202560 with 200096D and 203432 .....
200675c	14401	Roller Presser Arm Bracket Position Screw Stud .....
202558	14401	Roller Presser Arm Bracket Spring
202559	14401	" " " " " Stop .....
200141F	11607	Roller Presser Arm Bracket Spring Stop Screw .....
200096D	14401	Roller Presser Arm Screw .....
206417	—	" " Ball, $\frac{1}{8}$ in. diameter
201699c	14401	" " " Cone .....
202557	14183	" " Bar .....
350104c	14401	" " Hinge Screw .....
1528J	14401	" " " " Nut .....
237773	—	Roller Presser and Bar complete, Nos. 200675c, 202557 to 202559, 237772 and two 200141F .....
202068	14183	Spool Holder Base .....
200575H	14401	" " " Screw .....
204296	14183	" " Wire .....
200079H	14401	" " " Hinge Screw .....
204297	14183	Spool Holder complete, Nos. 200079H, 202068 and 204296 .....
237762	14401	Take-up Lever .....
202399	14401	" " Driving Stud with 202277 .....
202277	—	Take-up Lever Driving Stud Oil Packing (wick) .....
202400	14401	Take-up Lever Hinge Stud with 202423 .....
202423	—	Take-up Lever Hinge Stud Oil Packing (wick) .....
200363c	14401	Take-up Lever Hinge Stud Set Screw .....
202401	—	Take-up Lever Oiling Felt .....
200132E	14401	" " " " Screw .....
244007	—	Tension Disc (back) .....
207964	—	" " (front) .....
210950	14402	" Release Driving Lever with 200394c and 202676 .....

No.	Plate	Name
202676	14402	Tension Release Driving Lever Pin
202677	14402	" " " " " Slide Bar .....
210966	—	Tension Release Driving Lever Pin Slide Bar 202677 with 200167E and 210952 .....
202678	14402	Tension Release Driving Lever Pin Slide Bar Spring .....
200394c	14402	Tension Release Driving Lever Set Screw .....
210951	11610	Tension Release Washer .....
202407	10881	" Spring .....
200625F	11610	" Stud with 204925 .....
200061c	14402	" " Set Screw .....
204925	11610	" " Washer .....
201572B	10881	" Thumb Nut .....
210953	11610	Tension complete, Nos. 200625F, 201572B, 202407, 202682, 207964, 210951 and 244007 .....
202682	11610	Thread Controller Spring .....
210952	11610	" " " Stop .....
200187E	11610	" " " " Screw .....
210955	11610	" Guide (upper) .....
200582H	11610	" " Screw (2) .....
204329	—	" Oiler (felt) .....
237770	14402	" " Bracket with 204329 .....
200582H	11610	" " " Screw .....
210956	11610	" Retainer Bracket with 200397H .....
200582H	11610	" " " Screw (2) .....
210960	11610	" " Disc .....
210961	11610	" " Plunger .....
210962	11610	" " " Spring .....
210993	11610	" " Sleeve .....
210963	11610	" " Socket .....
200368H	14402	" " " Set Screw .....
223844	14402	" " Spring .....
210957	11610	" " Stud .....
210958	11610	" " " Collar .....
200397H	11610	" " " Set Screw .....
210959	11610	Thread Retainer (lower) complete, Nos. 210956 to 210958, 210993 and 223844 .....
237741	14402	Throat Plate, 53 elongated needle hole, for needle sizes 14 and 15
691F	14402	Throat Plate Screw (2) .....
237744	14183	Vertical Shaft .....
237745	14402	" " Bevel Gear (lower)
205508	14402	" " " " " Position Pin .....

No.	Plate	Name
235857	14181	Vertical Shaft Bevel Gear (upper) with 200374c and 200396c .....
200396c	11607	Vertical Shaft Bevel Gear (upper) Position Screw .....
200374c	14181	Vertical Shaft Bevel Gear (upper) Set Screw .....
237734	14181	Vertical Shaft Bushing (lower) ..
200346c	14402	" " " " Set Screw .....
237746	14402	Vertical Shaft Bushing (upper) ..
200362c	14398	" " " " Set Screw .....
237747	14402	Vertical Shaft Driving Gear with 200374c and 200396c .....
200396c	11607	Vertical Shaft Driving Gear Position Screw .....
200374c	14181	Vertical Shaft Driving Gear Set Screw .....
237754	14402	Vertical Shaft Oil Leader (lower) (brass) .....
237755	14402	Vertical Shaft Oil Leader (upper) (brass) .....

## MACHINE No. 110w103

VERTICAL HOOK. ROLLER PRESSER.

CONTINUOUS WHEEL FEED

For Leather Work

Same as Machine No. 110w102 with the following exceptions:

No.	Plate	Name
238634	14408	Feed Wheel, in place of 237707 ...
238611	----	" " Driving Gear (for 21 stitches), in place of 238608 ....
238612	----	Feed Wheel Driving Gear (for 23 stitches), in place of 238609 ....
238624	----	Feed Wheel Driving Pinion (for 21 stitches), in place of 238621 ....
238625	----	Feed Wheel Driving Pinion (for 23 stitches), in place of 238622 ....
238636	14408	Needle Bar with 200141r, in place of 237937 .....
238640	----	Needle Bar Rock Frame 202664 with 238636, in place of 237738..
201990	----	Roller Presser, $\frac{3}{8}$ in. diam., $\frac{1}{4}$ in. face (fine), in place of 201951 ..
201991	14408	Roller Presser 201990 with 1528a, 201699c, 350104c and twenty-eight 206417, in place of 201952 .....
238637	----	Roller Presser Arm 203422 with 201991, in place of 203432 .....
238638	----	Roller Presser Arm Bracket 202560 with 200096b and 238637, in place of 237772 .....
238639	----	Roller Presser and Bar complete, Nos. 200675c, 202557 to 202559, 238638 and two 200141r, in place of 237773 .....
238635	14408	Throat Plate, 56 elongated needle hole, for needle sizes 12 and 13, in place of 237741 .....



## ACCESSORIES

FOR MACHINE No. 110w102

No.	Plate	Name
200157B	14403	Attachment Screw .....
203470	14176	Bobbin (5) .....
*225482	---	" Case Screw Driver Blade ...
*225483	---	" " " " Handle ..
225497	14334	Bobbin Case Screw Driver complete, Nos. 225482 and 225483 ..
238632	14403	Feed Wheel Driving Pinion Spacing Washer (2) .....
4822	14403	Roller Presser Hinge Screw Nut Wrench .....
16 x 4	---	Needles, six, two each, sizes 12, 14 and 16 .....
200861D	14403	Bed Slide (back) Locking Thumb Screw .....
228221	---	Drip Pan with four wood screws $\frac{1}{2}$ in., No. 5 .....
12361	14334	Machine Hinge Connection (2) ...
41490	14334	" Rest Pin (wood) .....
120342	14334	Oiler (copper plated) with 120343
120343	14334	" Spout (3 $\frac{1}{2}$ in. long) .....
*225484	---	Screw Driver Blade .....
*225485	---	" " Handle .....
225498	14334	Screw Driver complete (7 $\frac{1}{4}$ in. long), Nos. 225484 and 225485 ..
225554	14334	Wrench (steel) .....

### BOBBIN WINDER

Swing Automatic, Right Hand

225453	10884	Frame with 202277 and 225438 ...
225454	10884	" Hinge Pin .....
202277	---	" Oil Packing (wick) .....
225438	10884	" " Well Cap .....
225455	10884	" Spring .....
225456	10884	" " Plunger .....
202473	10885	Pulley with 200389c .....
200389c	14398	" Set Screw .....
225381	10884	Spindle .....
225444	10884	Stop Latch .....
200056E	10884	" " Screw .....
225458	10884	" " Thumb Lever .....
225459	10884	" " " " Hinge Stud

No.	Plate	Name
225459	10884	Stop Latch Thumb Lever Joint Stud
202478	10884	" " Trip Lever .....
200299H	10884	" " " " Hinge Screw
225461	10881	Tension Bracket with 201499B ....
200082D	10881	" " Screw .....
228026	10884	" " " Washer .....
2102	10881	" Disc .....
202407	10881	" Spring .....
201499B	10881	" Stud .....
201572B	10881	" " Thumb Nut .....
225462	10881	Bobbin Winder Tension Bracket complete, Nos. 201572B, 202407, 225461 and two 2102 .....
225433	10885	Bobbin Winder and Tension Bracket Base .....
225382	10885	Universal Bobbin Winder complete, Nos. 200056E, 200082D, 200299H, 202473, 202478, 225381, 225433, 225444, 225453 to 225456, 225458, 225462, 228026, two each 225459 and wood screws $\frac{3}{4}$ in., No. 12, R.H.B. ....

### KNEE LIFTER

2763	14407	Rock Shaft .....
7539	14407	" " Hanger (back) with two wood screws 1 in., No. 10 .....
20093	14407	Rock Shaft Hanger (front) with two wood screws 1 in., No. 10 ..
228562	14407	Rock Shaft Knee Arm .....
228563	---	Rock Shaft Knee Arm complete, Nos. 2766, 2767 and 228562 .....
2766	14407	Rock Shaft Knee Arm Hub with 356c .....
356c	14407	Rock Shaft Knee Arm Hub Set Screw .....
2767	14407	Rock Shaft Knee Plate with 356c ..
228255	14407	" " " " Counterbalance Spring .....
356c	14407	Rock Shaft Knee Plate Set Screw
228238	14407	" " Lifting Lever with 356c
228239	---	Rock Shaft Lifting Lever 228238 with 8073, 204225, 228240 and 228241 .....
228240	14407	Rock Shaft Lifting Lever Rod (3 in. long) .....
200529c	14407	Rock Shaft Lifting Lever Rod Set Screw .....

No.	Plate	Name
228241	14407	Rock Shaft Lifting Lever Rod Swivel with 200529c .....
204225	14407	Rock Shaft Lifting Lever Rod Swivel Spring .....
8073	14407	Rock Shaft Lifting Lever Rod Swivel Spring Plunger .....
356c	14407	Rock Shaft Lifting Lever Set Screw
2770	14407	" " Stop Dog with 356c ...
356c	14407	" " " " Set Screw ..
228243	14407	Rock Shaft complete, Nos. 2763, 7539, 20093, 228239, 228255, 228563 and two 2770 .....

(Other Knee Lifter parts are listed with parts of machine head.)

#### FOR MACHINE No. 110w103

Same as for Machine No. 110w102 with the following exception:

16 x 4	---	Needles, six, size 9 .....
--------	-----	----------------------------

## FEED GEARS

No.	Plate	Name
238605	---	Feed Wheel Driving Gear (for 12 stitches) .....
238606	---	Feed Wheel Driving Gear (for 14 stitches) .....
238607	---	Feed Wheel Driving Gear (for 15 stitches) .....
238608	---	Feed Wheel Driving Gear (for 16 stitches) .....
238609	14403	Feed Wheel Driving Gear (for 17½ stitches) .....
238610	---	Feed Wheel Driving Gear (for 19 stitches) .....
238611	---	Feed Wheel Driving Gear (for 21 stitches) .....
238612	---	Feed Wheel Driving Gear (for 23 stitches) .....
238618	---	Feed Wheel Driving Pinion (for 12 stitches) .....
238619	---	Feed Wheel Driving Pinion (for 14 stitches) .....
238620	---	Feed Wheel Driving Pinion (for 15 stitches) .....
238621	---	Feed Wheel Driving Pinion (for 16 stitches) .....
238622	14403	Feed Wheel Driving Pinion (for 17½ stitches) .....
238623	---	Feed Wheel Driving Pinion (for 19 stitches) .....
238624	---	Feed Wheel Driving Pinion (for 21 stitches) .....
238625	---	Feed Wheel Driving Pinion (for 23 stitches) .....

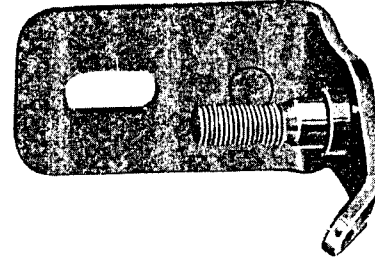
# FEED WHEELS

FOR MACHINE No. 110w102

No.	Plate	Name
237707	—	Feed Wheel .....
237767	14382	" " (coarse) .....
237771	14382	" " (knurled) .....
238523	14382	" " .....

## PLATE 10881—FULL SIZE

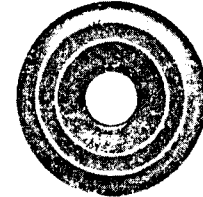
225461



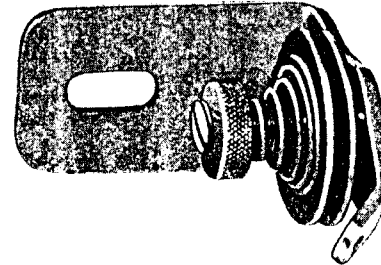
200082 202104



2102



225462



202407



201499



201572



PLATE 10884—FULL SIZE

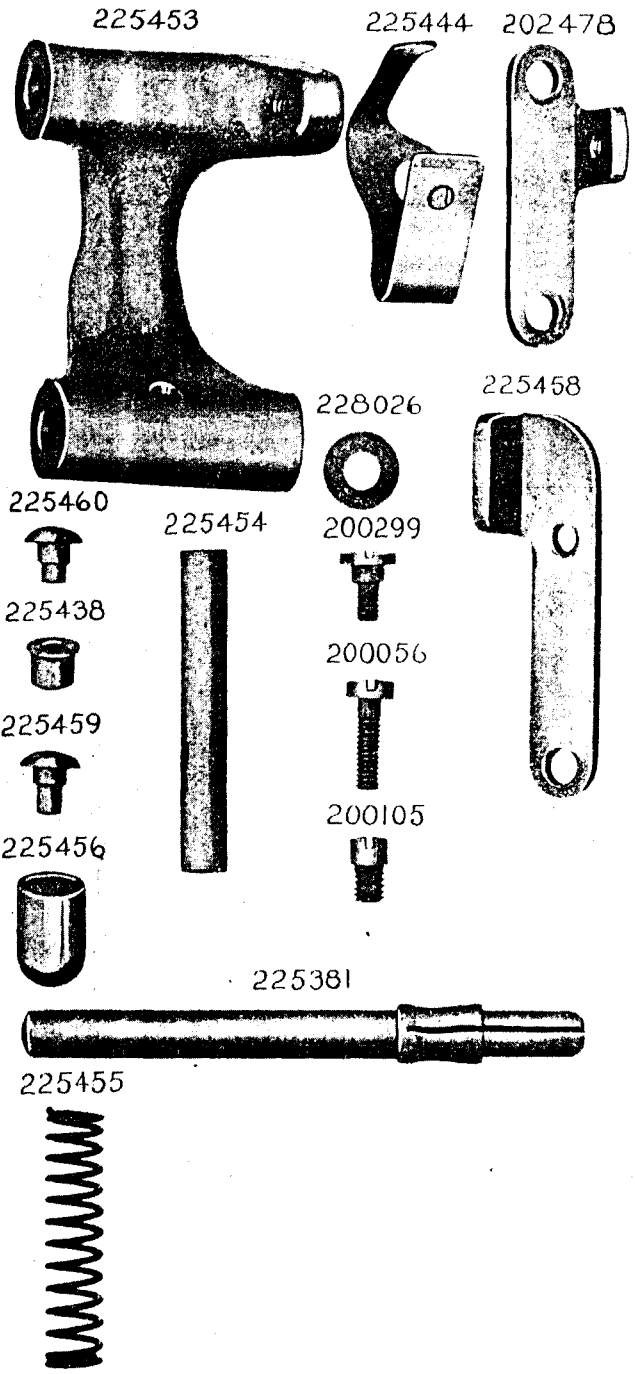


PLATE 10885—ONE-FOURTH SIZE

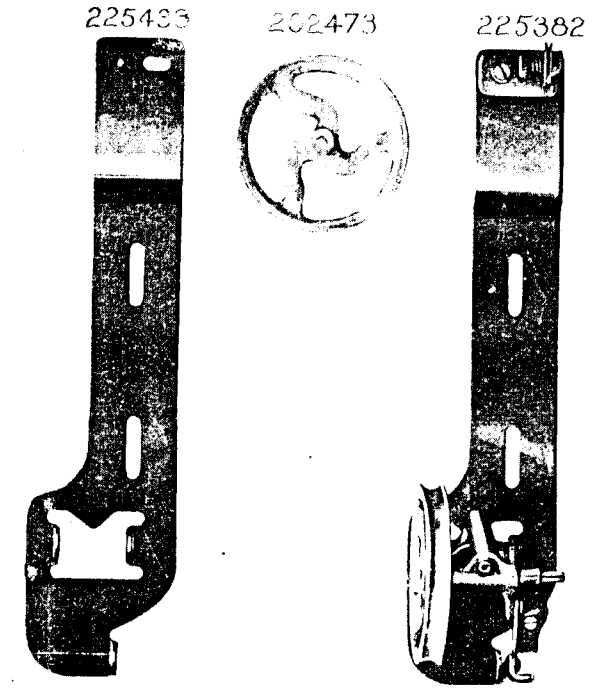


PLATE 11607 - FULL SIZE

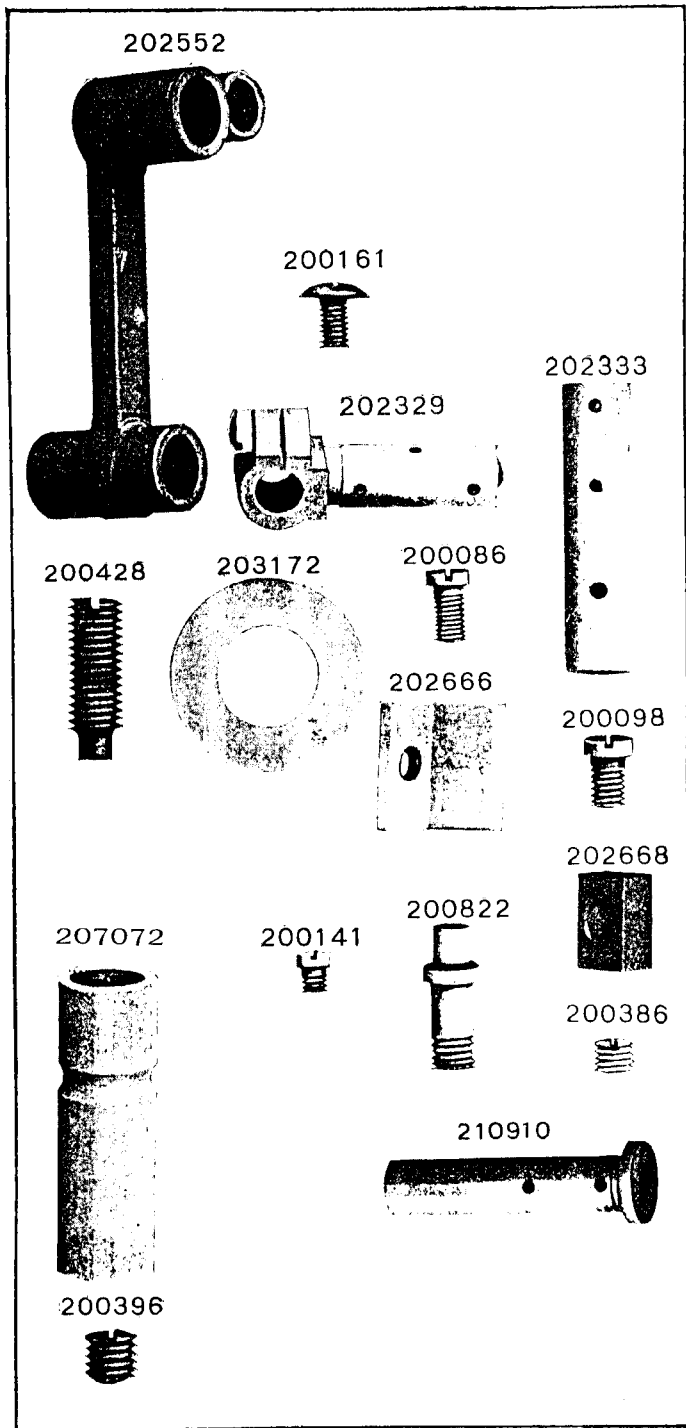


PLATE 11610 - FULL SIZE

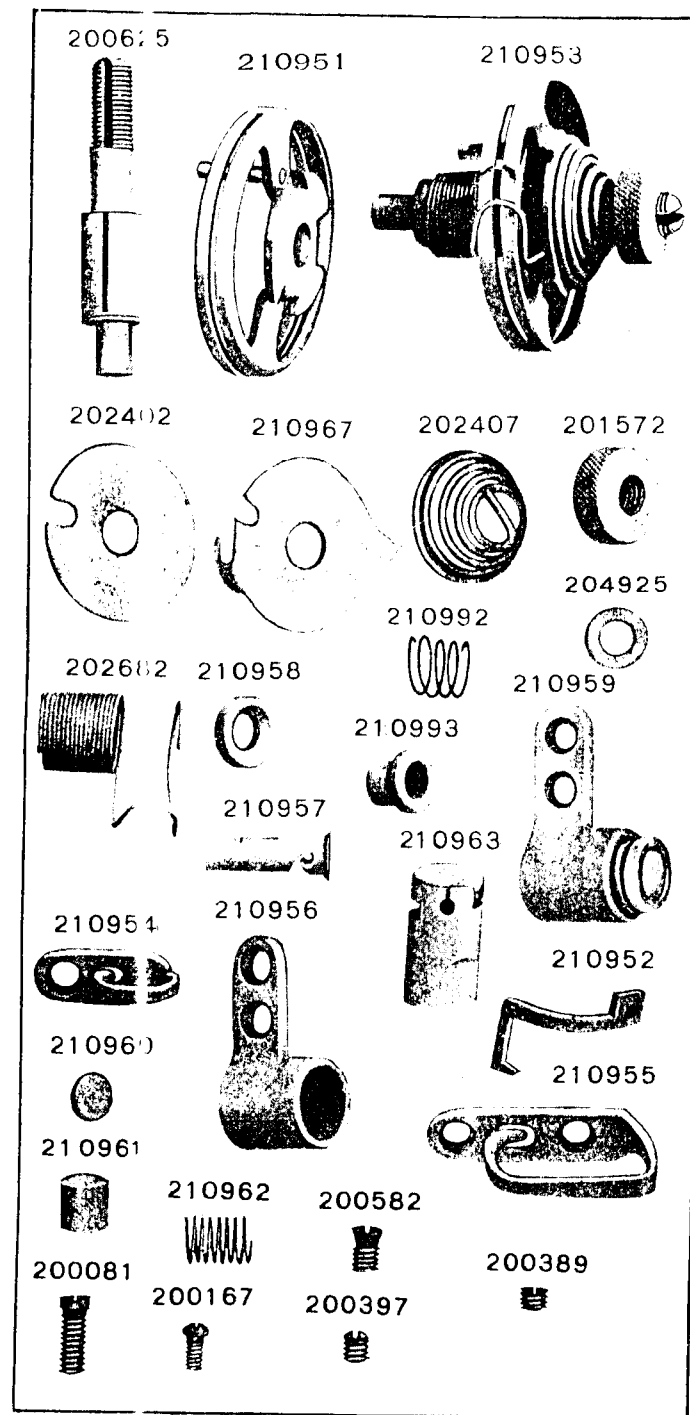


PLATE 14176-FULL SIZE

200278 202248 200071 202036 200338

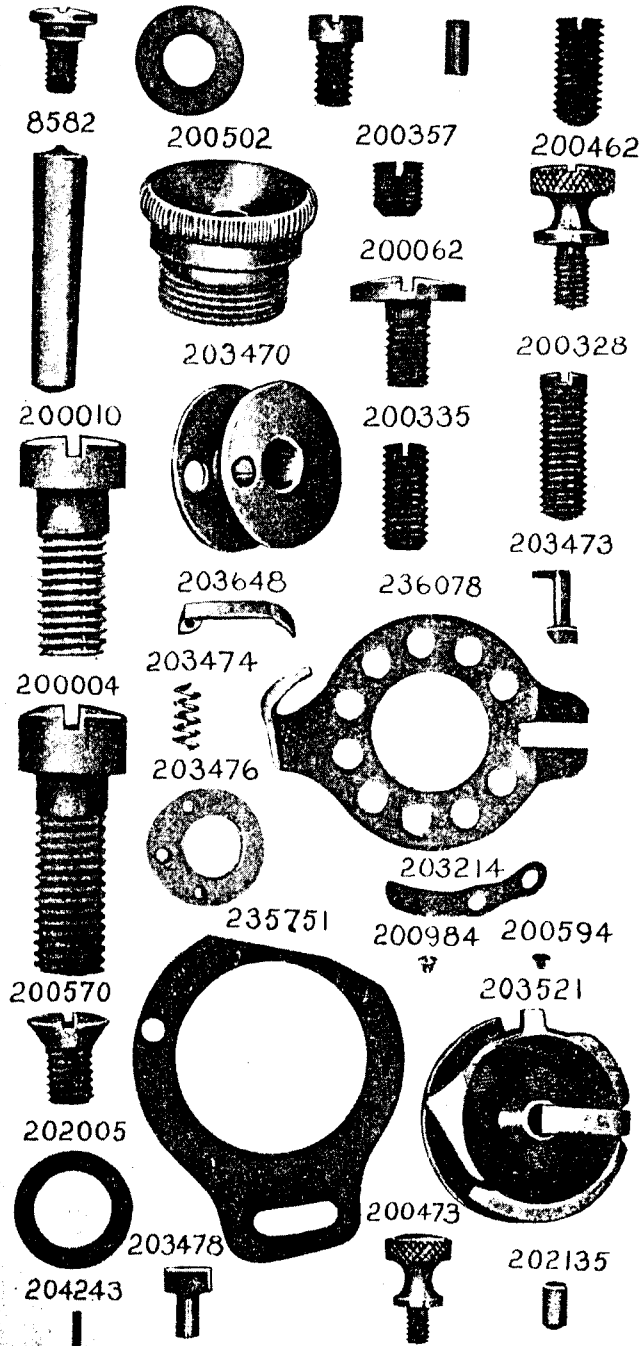


PLATE 14181-FULL SIZE

237726 235527 235756

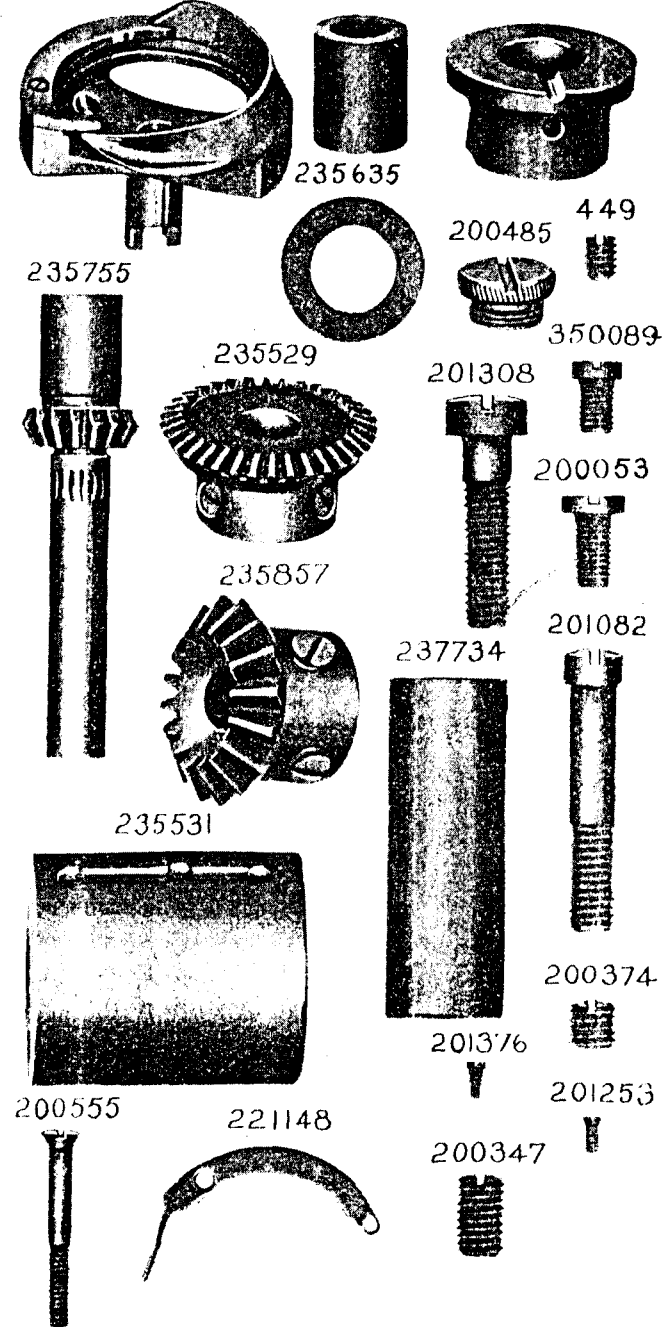
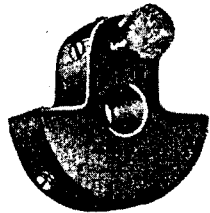
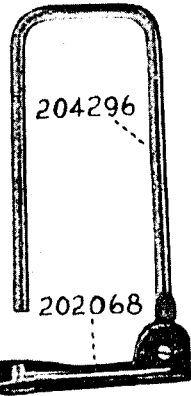


PLATE 14183—ONE-HALF SIZE

202692



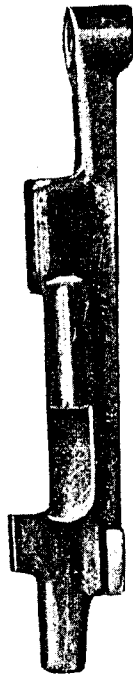
204297



204296

202068

202664 237744 202557



237739

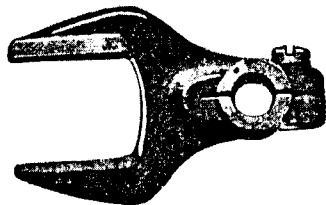


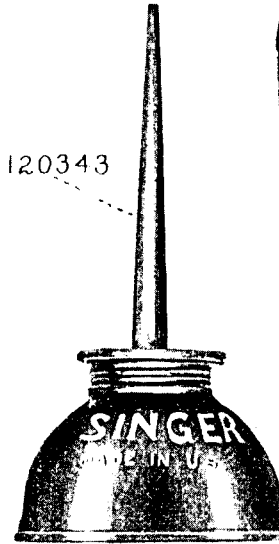
PLATE 14334—ONE-HALF SIZE

120342

225498

225497

120343



225554



12361

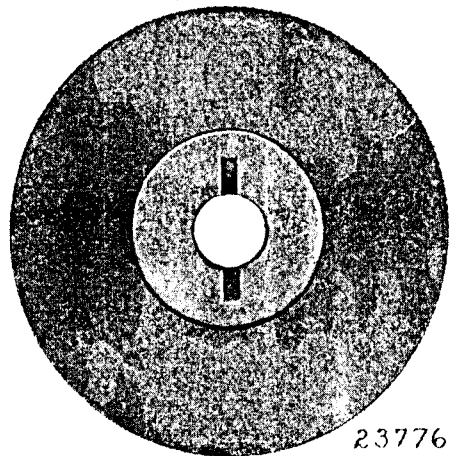


41400

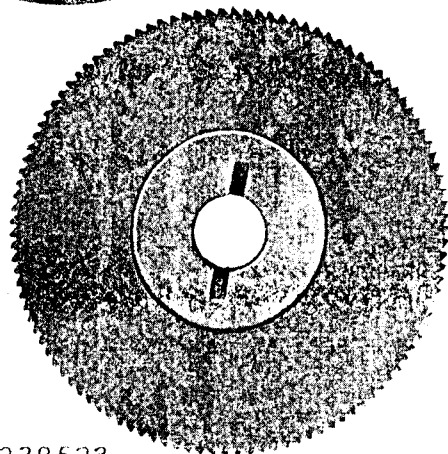


PLATE 14382—FULL SIZE

237771



237767

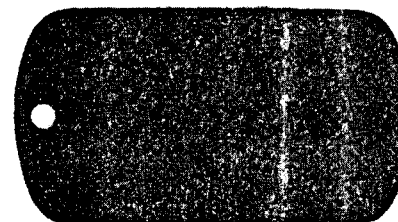


238523



PLATE 14396—ONE-HALF SIZE

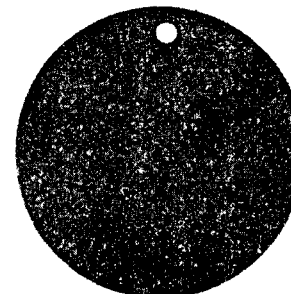
202247



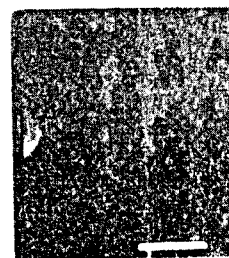
207080



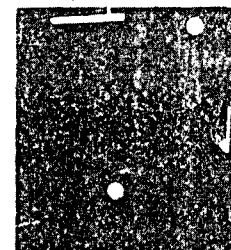
202632



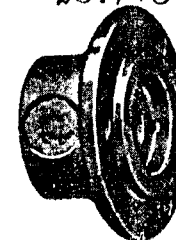
213750



240003



237748



210911

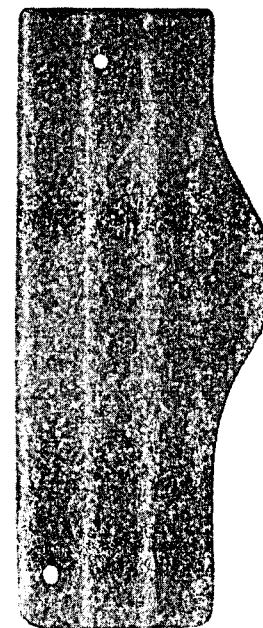




PLATE 14397—ONE-FOURTH SIZE

237702 238627 237728 202667 237766

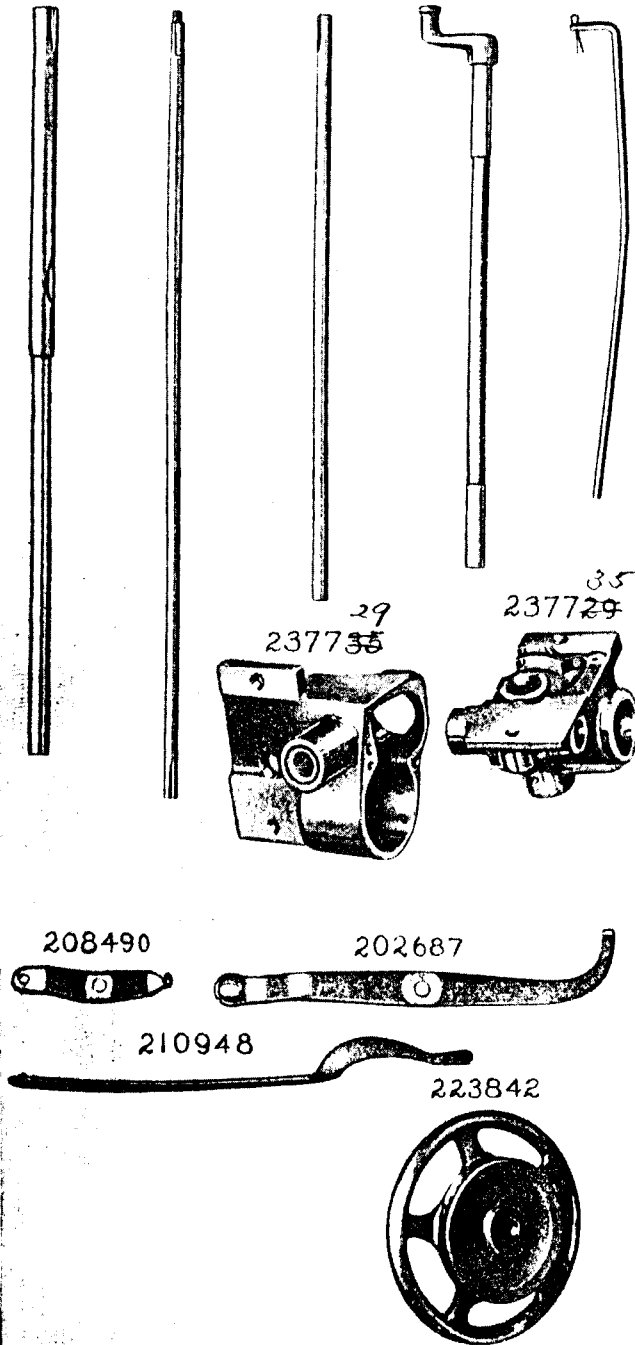


PLATE 14398—FULL SIZE

201235 238614 238629

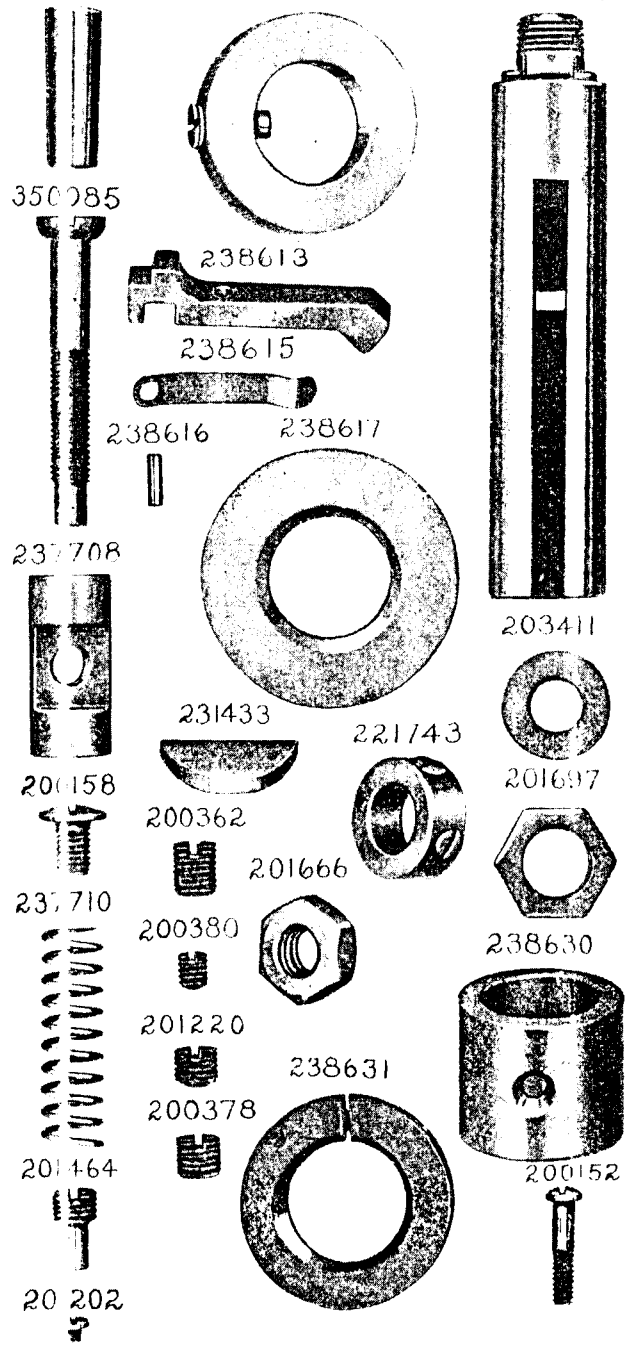


PLATE 14399—FULL SIZE

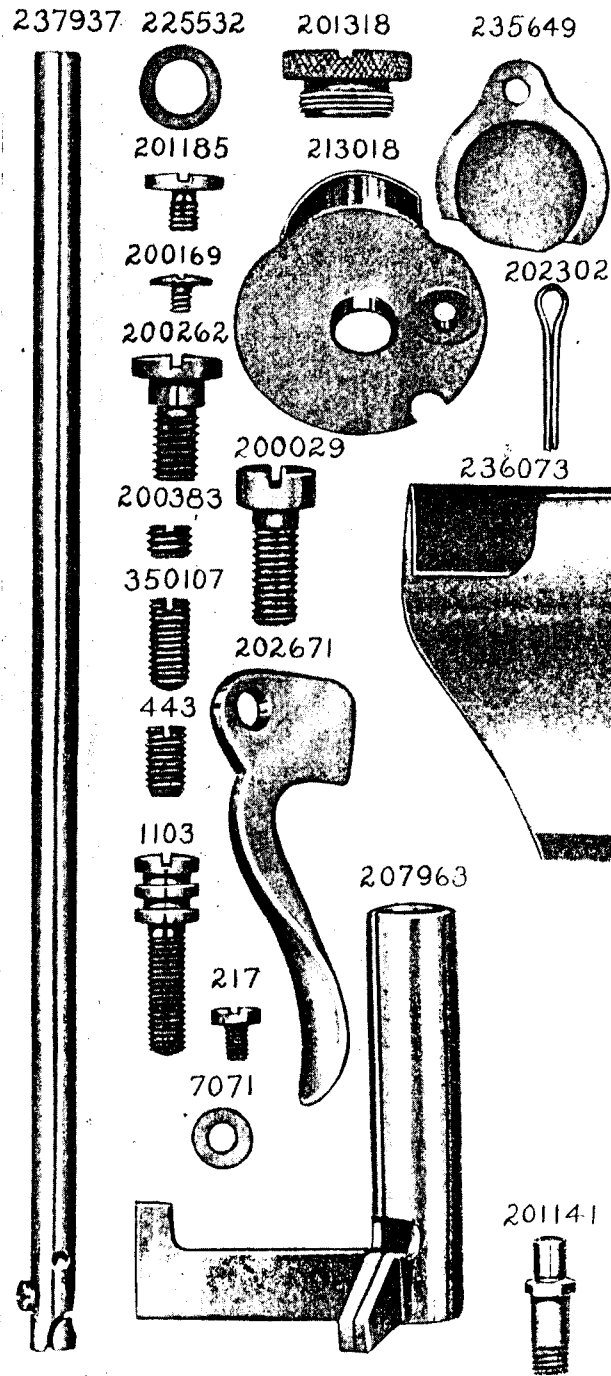


PLATE 14400—ONE-HALF SIZE

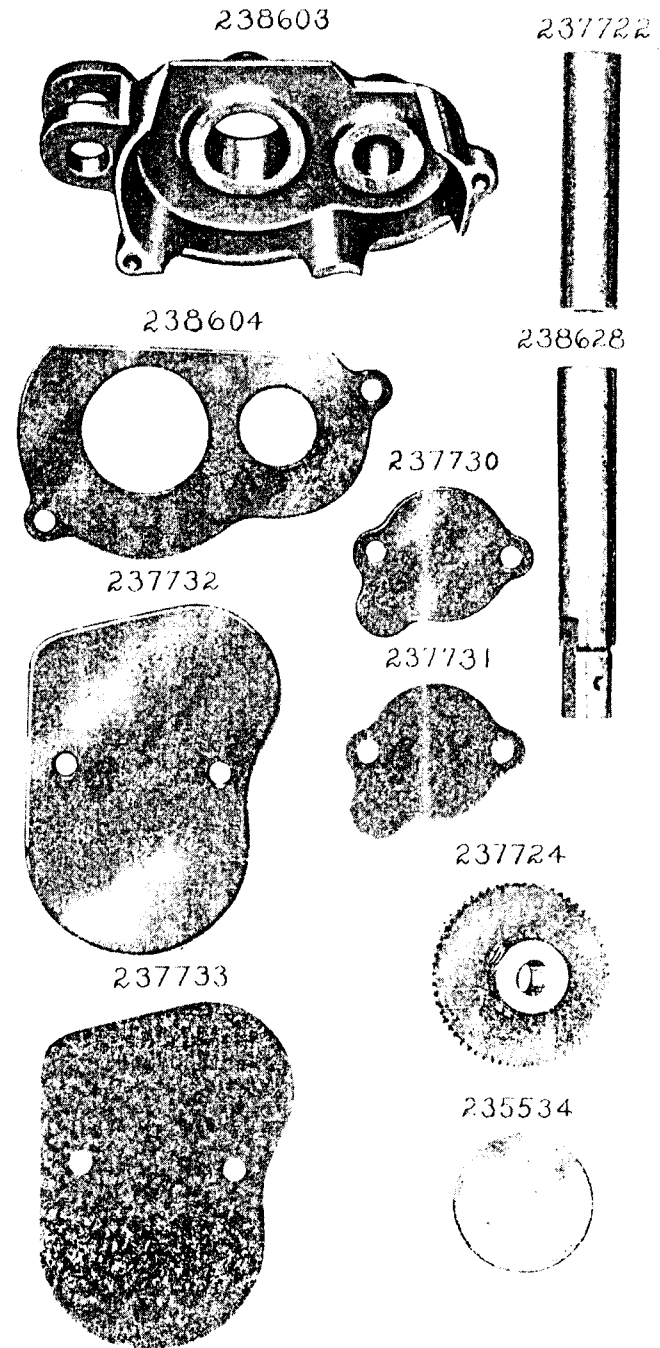


PLATE 14401—FULL SIZE

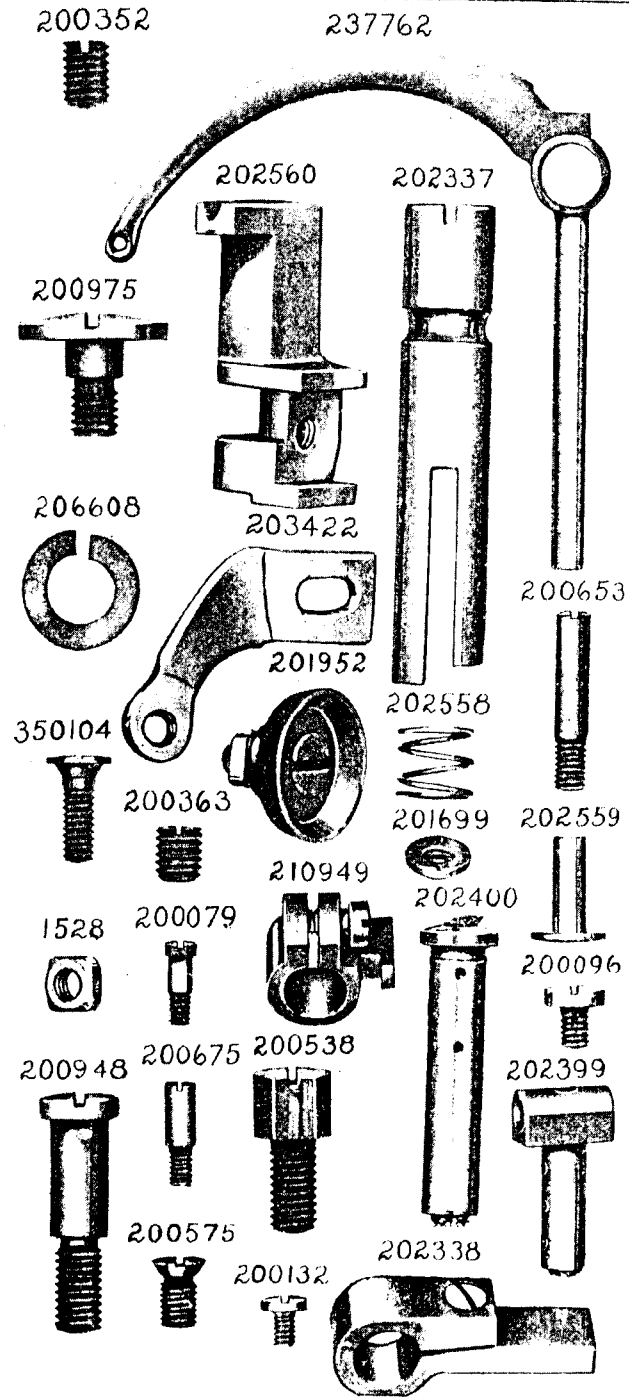


PLATE 14402—FULL SIZE

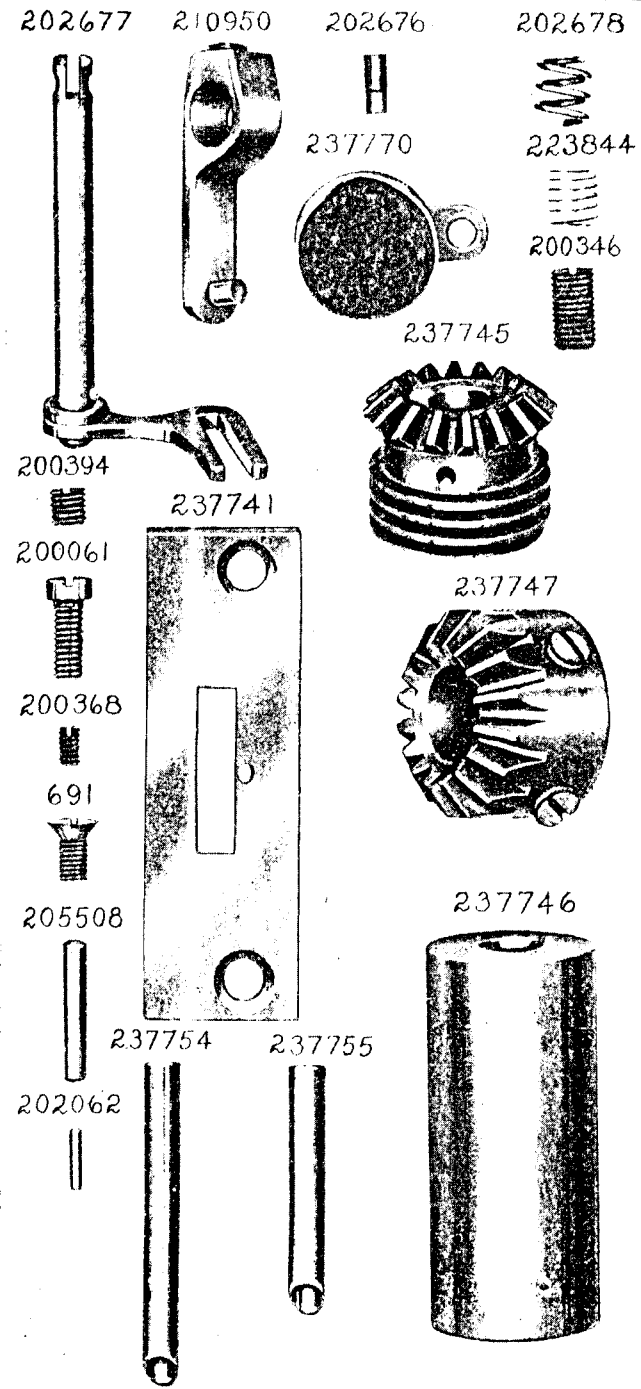


PLATE 14403—FULL SIZE

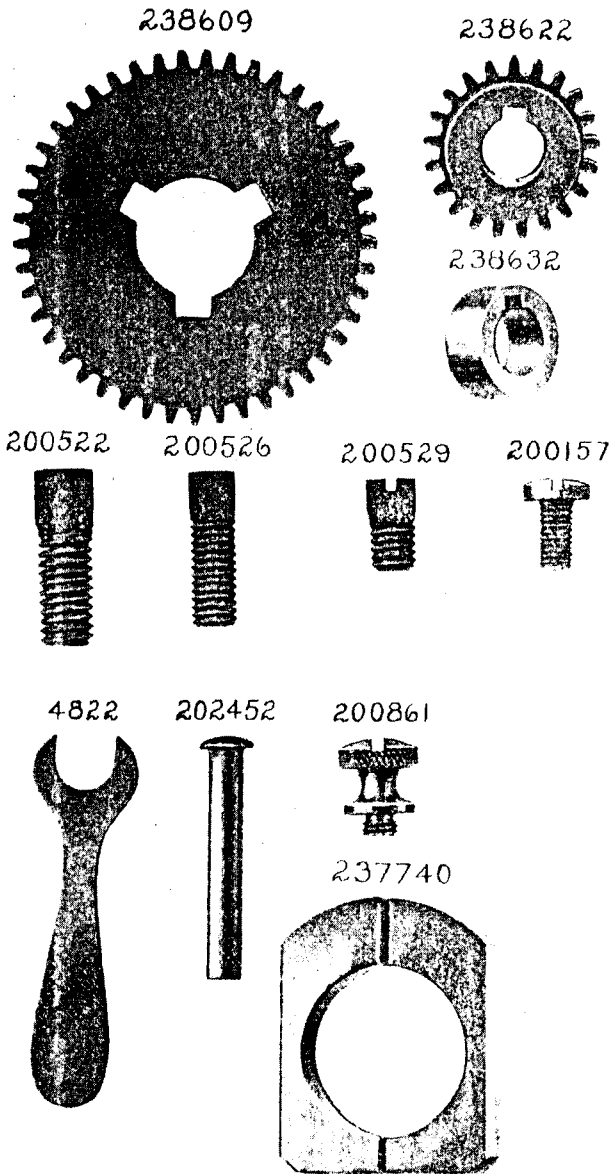
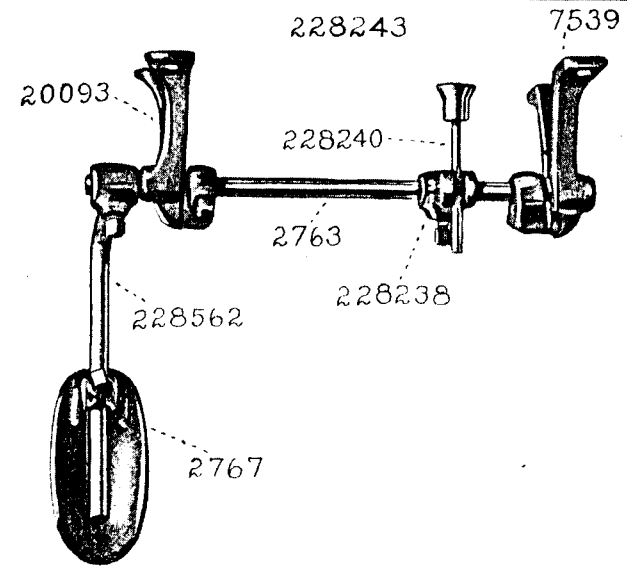


PLATE 14407—ONE-FOURTH SIZE



FULL SIZE

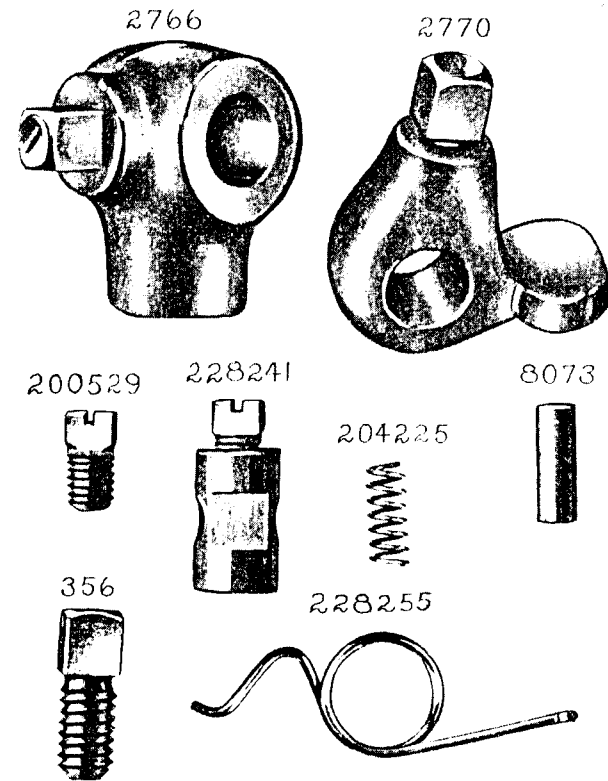
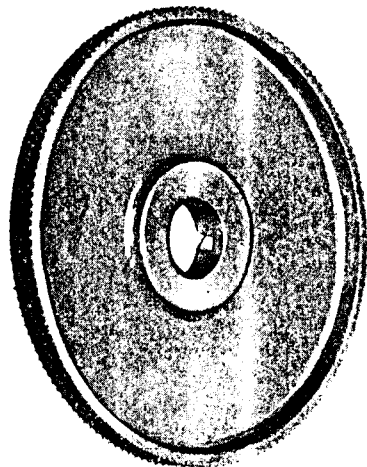


PLATE 14408—FULL SIZE

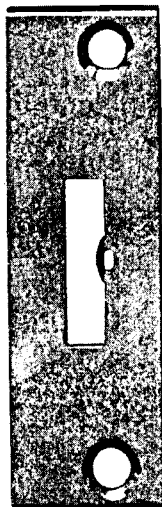
238636



238634



238635



201991

