

SINGER
111W114

LIST OF PARTS



MACHINE No. 111w114

THE SINGER MANUFACTURING COMPANY

INDEX

	Page
Accessories	14
Bobbin Winder	14
Feed Dogs	16
Foot Lifter	16
Knee Lifter	15
Machine No. 111w114	5
Miscellaneous Parts	17
Numerical List of Parts	19
Thread Unwinder	17
Throat Plates	16

INSTRUCTIONS FOR ORDERING

In ordering from this list, use **ONLY** the **PART** number in the **FIRST** column.

The number stamped on a Sewing Machine Part is the number of the Single Part only, except when the part includes Set Screws, Clamping Screws, Studs and Rollers Spun on, Small Wires riveted, or Parts soldered together, etc., which it is necessary to furnish in combination.

Every combination of parts sent out has its specific number which, although not stamped on Parts (except in above case), must be used when ordering the combination.

Each number always indicates the **SAME PART** in whatever list it appears, or for whatever Machine.

The letters after some of the numbers indicate the style of finish only, as follows:

- A. Hardened, Polished and Plated.
- B. Polished and Plated.
- C. Hardened only.
- D. Polished only.
- E. Soft, not polished.
- F. Hardened and Polished.
- H. Blued.
- J. Nickel Plated only.
- R. Merlized.
- Y. Black Nickel Plated only.

These letters **MUST BE USED** when they appear in the list and **AFTER** the number, as in the list.

In this series

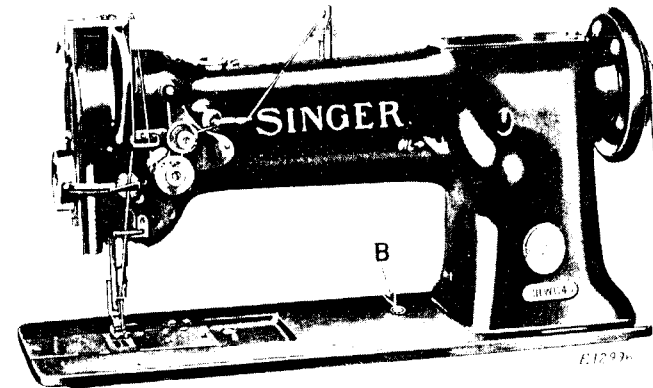
200001 to 201500 and 350001 to 351500 are Screw Numbers.
 201501 to 201800 and 351501 to 351800 are Nut Numbers.
 201801 to 202000 and 351801 to 352000 are Roller Numbers.
 202001 to 350000 are Numbers of Machine Parts.

The figures in the second column refer only to the plate in which the illustration of the part is shown and are **NOT TO BE USED** in ordering.

Two or more numbers over a cut indicate that the difference between such parts is not visible in an illustration.

Parts marked with an asterisk (*) are furnished only when repairs are made at the factory.

LIST OF PARTS COMPLETE FOR



MACHINE No. IIIwII4

HIGH SPEED. COMPOUND FEED. KNEE LIFTER.
SAFETY CLUTCH.

For Heavy Work such as stitching automobile
door pockets, ribbing cushions, etc.

No.	Plate	Name
*237175	-----	Arm with 202135
240069	16582	" Cap with 244071
244071	-----	" " Oil Wick
200278H	14327	" " Screw
202248	14327	" " " Washer
204235	14327	" Position Pin (2)
200004E	14327	" Screw (3)
202005	14327	" " Washer (3)
224102	16583	" Shaft with 200357E and 224392
240802	16582	" " Bushing (back) with 202244
202244	-----	" " " " Oil Packing (wick)
200338C	14327	" " " " Set Screw
207080	16582	" " " (front) with 202244
202244	-----	" " " " Oil Packing (wick)
200502B	14327	" " " " " " Thumb Screw
200341C	16585	Arm Shaft Bushing (front) Set Screw
224103	14348	" " Connection Belt

No.	Plate	Name
224104	16582	Arm Shaft Connection Belt Pulley with 200327C, 200602E and two 202253
200602E	14327	Arm Shaft Connection Belt Pulley Position Screw
200327C	14327	Arm Shaft Connection Belt Pulley Set Screw
202253	14327	Arm Shaft Connection Belt Pulley Spring Flange
224113	14327	Arm Shaft Connection Belt Timing Collar with 200113F
200113F	14327	Arm Shaft Connection Belt Timing Collar Set Screw
224139	14327	Arm Shaft Connection Belt Timing Plate
200164B	14327	" " " " " " " " Screw (2)
224392	-----	Arm Shaft Oil Packing (wick)
200357E	14327	" " " " " Stop Screw
235096	16583	Balance Wheel (disc) (belt groove 2-1/2 in.diam.) with 200328C and 200335C
200328C	14327	Balance Wheel Position Screw
200335C	14327	" " " Set Screw
*240218	-----	Bed
54897	14327	" Oil Cup
240003	16582	" Slide (back)
223811	14366	" " " Stop
223812	14366	" " " Spring
240004	16582	" " (front)
203470	14366	Bobbin
*235099	-----	" Case
203648	14366	" " Latch
*202056	-----	" " Pin
203473	14366	" " Plunger
203474	14366	" " Spring
241674	-----	" Oiling Felt
241675	14366	" " Retainer
350405C	14366	" " " " " Screw
224004	14366	" " Opener
224005	14366	" " Lever with 201349C, 201542C and 203101
201349C	14366	Bobbin Case Opener Lever Driving Screw Stud
201542C	14366	Bobbin Case Opener Lever Driving Screw Stud Nut
203101	-----	Bobbin Case Opener Lever Driving Screw Stud Oil Packing (wick)
223622	14366	Bobbin Case Opener Lever Hinge Stud with 202277
202277	-----	Bobbin Case Opener Lever Hinge Stud Oil Packing (wick)
200364C	14366	Bobbin Case Opener Lever Hinge Stud Set Screw

No.	Plate	Name
223623	14366	Bobbin Case Opener Lever Link
200118D	14366	" " " Screw
203214	14366	" " Tension Spring
200984C	14372	" " " Regulating Screw
200594C	14366	" " " Screw
203216	-----	" " Washer (cloth)
235100	14366	Bobbin Case complete, Nos. 200594C, 200984C, 202056, 203214, 203216, 203473, 203474, 203648, 235099, 241674, 241675 and two 350405C
237777	16583	Face Plate
202135	14366	" " Position Pin
200473B	14366	" " Thumb Screw
240037	16582	Feed Bar
240038	-----	" " 240037 with 224052, 225837 and 350197E
350393C	14366	Feed Bar Hinge Screw (driving)
201513E	14366	" " " Nut
240013	16588	" Dog, 40 needle hole, for needle size 20
200106E	14366	" " Screw (2)
224106	16583	" Driving Connection with 200049D and 202277
201171C	14366	Feed Driving Connection Hinge Screw
201517E	16218	" " " " " Nut
202277	-----	" " " " " Oil Packing (wick)
202277	-----	Feed Driving Connection Oil Packing (wick)
200049D	16577	Feed Driving Connection Pinch Screw
202300	16584	" " Eccentric Regulating Bracket
224107	-----	" " " " " " 202300 with 224108, two each 200256C and 201525E
224108	16584	Feed Driving Eccentric Regulating Bracket Flange with 200383C and 200437C
200437C	16585	Feed Driving Eccentric Regulating Bracket Flange Position Screw
200383C	16585	Feed Driving Eccentric Regulating Bracket Flange Set Screw
200256C	16585	Feed Driving Eccentric Regulating Bracket Hinge Screw
201525E	16585	Feed Driving Eccentric Regulating Bracket Hinge Screw Nut
202301	16585	Feed Driving Eccentric Regulating Bracket Plunger
202595	16585	Feed Driving Eccentric Regulating Bracket Plunger Spring
200607C	16585	Feed Driving Eccentric Regulating Bracket Plunger Spring Stop Screw

No.	Plate	Name
200256C	16585	Feed Driving Eccentric Regulating Bracket Stop Screw
201525E	16585	Feed Driving Eccentric Regulating Bracket Stop Screw Nut
200429C	16585	Feed Driving Eccentric Regulating Screw
200383C	16585	Feed Driving Eccentric Regulating Screw Check Screw
223650	14348	Feed Driving Rock Shaft
240031	-----	" " " " 223650 with 201518E,240038 and 350393C
223652	16584	Feed Driving Rock Shaft Crank with 200019E
200019E	16585	Feed Driving Rock Shaft Crank Pinch Screw
202625	16585	Feed Driving Rock Shaft Stop Collar with two 200383C (2)
200383C	16585	Feed Driving Rock Shaft Stop Collar Set Screw
224154	16585	Feed Lifting Cam with 201220C
224052	16585	" " " " Fork with 200173D and 223655
350197E	16585	Feed Lifting Cam Fork Screw
225837	16585	" " " " " Washer
223655	-----	" " " " Oiling Felt
200173D	16585	" " " " " Screw
201220C	16585	" " " " Set Screw
224122	16584	" Regulating Spindle with 202311, 202443 and 202619
*202311	-----	Feed Regulating Spindle Head
202443	16585	" " " " Pin
202619	16585	" " " " Position Pin
*240041	-----	Hook (sewing)
240042	14373	" 240041 with 203525,224025,two each 200590H and 201253F
240071	-----	Hook and Bobbin Case complete,Nos. 235100 and 240042
224019	16585	Hook Bushing (lower) (bronze)
200364C	14366	" " " " Set Screw
224020	16585	" " (upper) (bronze)
200446C	16585	" " " Position Screw
223867	13234	" Driving Gear (spiral) with 200362C and 201222C
201222C	13234	Hook Driving Gear Position Screw
200362C	13234	" " " " Set Screw
240167	14373	" " Pinion (spiral) with 200382C and 201220C
201220C	16585	Hook Driving Pinion Position Screw
200382C	14373	" " " " Set Screw

No.	Plate	Name
224022	14373	Hook Driving Pinion Thrust Washer
240216	16583	" " " Shaft
224111	16584	" " " Bushing (back) with 202244
202244	-----	Hook Driving Shaft Bushing (back) Oil Packing (wick)
237529	16576	Hook Driving Shaft Bushing (front)
200327C	14327	" " " " " Set Screw (2)
265314	16576	" " " " Lock Ratchet with 200354C and 200362C
200354C	14373	Hook Driving Shaft Lock Ratchet Position Screw
200362C	13234	Hook Driving Shaft Lock Ratchet Set Screw
240213	14373	Hook Driving Shaft Lock Stud
248423	14373	" " " " " Cotter Pin
240214	14373	" " " " " Socket
248425	14373	" " " " " Spring
240215	-----	Hook Driving Shaft Lock Stud complete, Nos.240213,240214,248423 and 248425
203525	14373	Hook Gib
201253F	13234	" " " Screw
223850	-----	" Saddle with 200009E
224024	16576	" " 223850 with 200364C,200446C, 224019 and 224020
223681	16576	Hook Saddle Bearing
200335C	14327	" " " " " Set Screw
240018	16576	" " " " Oil Guard
240019	-----	" " " " " Felt
200160D	14373	" " " " " Screw (2)
200009E	13234	" " " " Pinch Screw
200006E	13234	" " " " Screw
225585	13234	" " " " Washer
240044	-----	Hook Saddle complete,Nos. 200118D, 200364C,223622,223623,224004,224005 224022,224024,240071 and 240167
224025	14373	Hook Washer
200590H	14373	" " " " Screw
240067	16584	Knee Lifter Connection Lever
200262H	14373	" " " " " Hinge Screw
223684	16583	" " " " " Lifting Rod with 202302
202302	16585	Knee Lifter Connection Lever Lifting Rod Cotter Pin
206628	14373	Knee Lifter Connection Lever Lifting Rod Spring
227227	14373	Knee Lifter Connection Lever Lifting Rod Spring Collar with 200113F
200113F	14327	Knee Lifter Connection Lever Lifting Rod Spring Collar Set Screw

No.	Plate	Name
240068	16583	Knee Lifter Lifting Lever
200262H	14373	" " " " Hinge Screw
240020	16584	Needle Bar with 200125F, 200175D and 240039
202552	13234	Needle Bar Connecting Link
264718	16586	" " " " Oil Guard
200161D	16577	" " " " " Screw
202333	16577	" " " " Stud with 202254
202254	-----	Needle Bar Connecting Link Oil Packing (wick)
200374C	13234	Needle Bar Connecting Link Stud Set Screw
200383C	16585	Needle Bar Connecting Link Stud Set Screw
223688	16586	Needle Bar Connecting Stud with 200072C and 202330
202330	-----	Needle Bar Connecting Stud Oil Packing (wick)
200072C	16586	Needle Bar Connecting Stud Pinch Screw
202692	16576	" " Crank with 200335C, 200374C, 200383C, 200428C and 202333
240051	-----	Needle Bar Crank 202692 with 202399, 202400, 202552, 223688 and 241518
203172	16577	Needle Bar Crank Friction Washer
200428C	16577	" " " Position Screw
200335C	14327	" " " Set Screw
237339	16583	" " Rock Frame
210910	13234	" " " " Hinge Stud with 202277
202277	-----	Needle Bar Rock Frame Hinge Stud Oil Packing (wick)
200347C	16586	Needle Bar Rock Frame Hinge Stud Set Screw
202666	16577	Needle Bar Rock Frame Position Bracket
200098F	16577	" " " " " " Screw
223690	-----	Needle Bar Rock Frame Rock Shaft
223691	14348	" " " " " " 223690 with 200387C and 210920
223692	16576	Needle Bar Rock Frame Rock Shaft Crank with 200029E
223693	16576	Needle Bar Rock Frame Rock Shaft Crank Connection with 202277
200833C	16577	Needle Bar Rock Frame Rock Shaft Crank Connection Hinge Screw
201522E	16218	Needle Bar Rock Frame Rock Shaft Crank Connection Hinge Screw Nut
202277	-----	Needle Bar Rock Frame Rock Shaft Crank Connection Oil Packing (wick)

No.	Plate	Name
200029E	16577	Needle Bar Rock Frame Rock Shaft Crank Pinch Screw
202668	16577	Needle Bar Rock Frame Slide Block
210920	-----	" " " " " " 202668 with 201141C
201141C	16586	Needle Bar Rock Frame Slide Block Stud
200387C	16586	" " " " " " " " Set Screw
240039	16586	Needle Bar Thread Guide
200175D	16577	" " " " " Screw
200125F	16577	" Set Screw
208566	16584	Presser Bar with 200074F
207072	16577	" " Bushing (2)
200352C	16586	" " " Set Screw (2)
202671	16586	" " Lifter
200653C	16577	" " " Hinge Screw
207963	16586	" " Lifting Releasing Lever Bracket
200975F	16577	Presser Bar Lifting Releasing Lever Bracket Guide Screw
206608	16586	Presser Bar Lifting Releasing Lever Bracket Spring
202337	16577	Presser Bar Position Guide
202338	16577	" " " " Lever with 200086F
200086F	16218	Presser Bar Position Guide Lever Pinch Screw
200352C	16586	Presser Bar Position Guide Set Screw
207965	16583	" " Spring (flat)
210949	16218	" " " Bracket with 200086C
200086C	16218	" " " Pinch Screw
200538C	16218	" " " Regulating Screw
200948F	16577	" " " Support Screw
202090	16586	" Foot Hinge Pin
203013	-----	" " Plate
200074F	16218	" " Screw
215911	-----	" " Shank
229882	16586	Presser Foot (hinged) complete, Nos. 202090, 203013 and 215911
265032	16218	Safety Clutch Hook Driving Shaft Position Collar with two 201254C
201254C	16218	Safety Clutch Hook Driving Shaft Position Collar Set Screw
265056	16218	Safety Clutch Locking Lever
265050	16218	" " " " Connecting Link
200993C	16218	Safety Clutch Locking Lever Hinge Screw
265035	16218	" " " " Spring
200962C	16218	" " " " Adjusting Screw

No.	Plate	Name
200092D	16218	Safety Clutch Locking Lever Spring Screw
265036	16576	Safety Clutch Pulley with 200962C and 202253
202253	14327	Safety Clutch Pulley Spring Flange
256057	16218	" " Throw-in Latch
265052	16218	" " " " Pin
265051	16218	" " " " Spring
265040	-----	Safety Clutch complete, Nos. 200092D, 200993C, 265032, 265035, 265036, 265050 to 265052, 265056 and 265057
241518	16586	Take-up Lever
202399	16577	" " Driving Stud with 202277
202277	-----	" " " " Oil Packing (wick)
202400	16577	Take-up Lever Hinge Stud with 202423
202423	-----	" " " " Oil Packing (wick)
200363C	16578	Take-up Lever Hinge Stud Set Screw
202401	-----	" " Oiling Felt
200132E	16218	" " " " Screw
240023	14375	Tension Bracket with 201224B and 236060
200159F	16578	" " Screw
240446	-----	Tension Bracket Complete, Nos. 200978H, 201199F, 204271, 223438, 223703, 223704, 223706, 237174, 240023, two each 200309E, 201572B and 244048
244048	13234	Tension Disc
236060	16578	" " Position Pin
223703	16578	" Release Lever
235072	16586	" " " Rod
200309E	16578	" " " Screw
223704	16578	" " Plunger
204271	16578	" " Washer
223438	16578	" Spring
201224B	16578	" Stud
201572B	16586	" Thumb Nut
223706	16578	Thread Controller Disc
200978H	16218	" " " Screw
237174	16578	" " Spring
242117	16586	" " Stop
200132E	16518	" " " Screw
201199F	16578	" Stud with 204925
200061C	16578	" " " Set Screw
201572B	16586	" " " Thumb Nut
204925	16578	" " " Washer
202412	16578	" Guide
224040	16578	" "
210954	16586	" " (lower)
210955	16578	" " (upper)

No.	Plate	Name
200582H	16578	Thread Guide Screw (4)
241755	-----	" Lubricator Oil Pad (felt)
237779	16587	" " " " Holder
240439	16587	" " " " Retainer
241758	16587	" " " Reservoir
241759	-----	" " " Wick
350280F	16587	" " Screw
214838	16587	" " " Washer
237780	-----	Thread Lubricator complete, Nos. 214838, 237779, 240439, 241755, 241758, 241759 and 350280F
240034	16587	Thread Retainer
200355H	16578	" " Set Screw
240027	16588	Throat Plate
691F	16587	" " Screw (2)

Genuine Singer Needles should be used
in Singer Machines.
These Needles and their Containers
are marked with the
Company's Trade Mark "SIMANCO." 1

Needles in Containers marked
"For Singer Machines"
are not Singer made needles. 2

ACCESSORIES

No.	Plate	Name
200157B	16578	Attachment Screw
200861D	16587	Bed Slide (back) Locking Thumb Screw
203470	14366	Bobbin (5)
*225462	-----	Bobbin Case Screw Driver Blade
*225483	-----	" " " " Handle
225497	14334	Bobbin Case Screw Driver complete, Nos. 225482 and 225483
231337	16587	Cloth Guide
200861D	16587	" " Thumb Screw
135 x 17	-----	Needles, six, size 23
224121	-----	Drip Pan, 20 in. long, with four 1 in. wire nails
12361	14334	Machine Hinge Connection (2)
41400	14334	" Rest Pin (wood)
120342	14334	Oiler (copper plated) with 120343
120343	14334	" Spout, 3-1/2 in. long
*225484	-----	Screw Driver Blade
*225485	-----	" " Handle
225498	14334	Screw Driver complete (7-1/4 in. long), Nos. 225484 and 225485
225554	14334	Wrench (steel)

BOBBIN WINDER

(SWINGING AUTOMATIC, RIGHT HAND)

225453	10884	Frame with 202277 and 225438
225454	10884	" Hinge Pin
202277	-----	" Oil Packing (wick)
225438	10884	" " Well Cap
225455	10884	" Spring
225456	10884	" " Plunger
202473	10885	Pulley with 200380C
200380C	10884	" Set Screw
225381	10884	Spindle
225444	10884	Stop Latch
200056E	10884	" " Screw
225458	10884	" " Thumb Lever
225459	10884	" " " " Hinge Stud
225459	10884	" " " " Joint Stud
202478	10884	" " Trip Lever
200299H	10884	" " " " Hinge Screw
225461	10881	Tension Bracket with 201499B

No.	Plate	Name
200082D	10881	Tension Bracket Screw
228026	10884	" " " Washer
2102	10881	" Disc
202407	10881	" Spring
201499B	10881	" Stud
201572B	10881	" " Thumb Nut
225462	10881	Bobbin Winder Tension Bracket complete, Nos. 201572B, 202407, 225461 and two 2102
225433	10885	Bobbin Winder and Tension Bracket Base
225482	10885	Universal Bobbin Winder complete, Nos. 200056E, 200082D, 200299H, 202473, 202478, 225381, 225433, 225444, 225453 to 225456, 225458, 225462, 228026, two each 225459 and wood screws 3/4 in., No. 12, R. H. B.

KNEE LIFTER

228294	15911	Rock Lever with two 356C
228295	15911	" " Bracket with 356C and four wood screws 7/8 in., No. 12
228299	-----	Rock Lever Bracket 228295 with 228294 and 228297
228296	15911	Rock Lever Extension with 200529C
356C	15911	" " " Set Screw
228297	15911	" " Hinge Pin
356C	15911	" " " " Set Screw
228284	15911	" " Knee Plate with 356C
202455	15911	" " " " Arm
356C	15911	" " " " " Set Screw
356C	15911	" " " " " Set Screw
227728	15911	" " Rod with 227729
*227729	-----	" " " Cap
200529C	15911	" " " " Set Screw
228298	15911	Knee Lifter complete, Nos. 202455, 227728, 228284, 228296 and 228299

(Other Knee Lifter Parts are listed with parts of machine head)

FEED DOGS

No.	Plate	Name
240008	16588	Feed Dog, 46 needle hole, for needle sizes 16 and 18, for 240025
240009	16588	Feed Dog, 40 needle hole, for needle size 20, for 240025
240010	16588	Feed Dog, 50 needle hole, for needle sizes 14 and 15, for 240025
240011	16588	Feed Dog, 40 needle hole, for needle size 20, for 240027
240012	16588	Feed Dog, 46 needle hole, for needle sizes 16 and 18, for 240027
240013	16588	Feed Dog, 40 needle hole, for needle size 20, for 240027
240014	16588	Feed Dog, 50 needle hole, for needle sizes 14 and 15, for 240027

THROAT PLATES

240025	16588	Throat Plate, for 240008 to 240010
240027	16588	" " " 240011 to 240014

FOOT LIFTER

Parts Required for Changing from Knee Lifter to Foot Lifter

223733	16576	Lifting Lever Extension
200082D	10881	" " " Screw
227561	16578	" " Spring
200835D	16587	" " " Stop Screw

FOOT LIFTER

227952	15352	Lever (left or right) with 227954
227678	15352	" Chain, 48 in. long, with 202784
227954	16587	" " Hook (lower)
202784	16578	" " " (upper)
225016	16587	" Hinge Pin
227953	15352	" Stand with two wood screws 1 in. No. 12
227955	15352	Foot Lifter Lever (left or right) complete, Nos. 225016, 227678, 227952 and 227953

THREAD UNWINDER

No.	Plate	Name
225257	14363	Spool Rest (for two spools) with 201018C
150203	-----	Spool Rest Cushion (felt)
225388	14363	" " Rod
200383C	16585	" " " Set Screw
201018C	16578	" " Set Screw
202490	14363	" Stand with 200383C
225391	14363	Thread Guide
201696J	16578	" " Lock Nut
225326	16587	" " Position Cup
225324	14363	" " Rod with 208E and 225322
208E	16578	" " " Screw
225322	16587	" " " Washer
225258	14363	Thread Unwinder (for two spools) complete, Nos. 201696J, 202490, 225257, 225324, 225326, 225388 two each 150203, 225391 and three wood screws 7/8 in., No. 12

MISCELLANEOUS PARTS

USED IN CONJUNCTION WITH THREAD UNWINDER

60913	14363	Spool Weight with 60914
60914	-----	" " Center Pin
225377	14363	" Wire, for small spools
27739	14363	Thread Cone (wood)

NUMERICAL LIST OF PARTS

NUMERICAL LIST OF PARTS

No.	Plate	Name
208E	16578	Thread Unwinder Thread Guide Rod Screw, for 225324
356C	15911	Knee Lifter Rock Lever Extension Set Screw, for 228294
356C	15911	Knee Lifter Rock Lever Hinge Pin Set Screw, for 228295
356C	15911	Knee Lifter Rock Lever Knee Plate Arm Set Screw, for 228294
356C	15911	Knee Lifter Rock Lever Knee Plate Set Screw, for 228284
691F	16587	Throat Plate Screw
210F	10881	Bobbin Winder Tension Disc, for 225462
12361	14334	Machine Hinge Connection
27779	14363	Thread Cone (wood)
4140	14374	Machine Rest Pin (wood)
54897	14327	Bed Oil Cup
60913	14363	Spool Weight with 60914
60914	-----	" " Center Pin, for 60913
120342	14334	Oiler (copper plated) with 120343
120343	14334	" Spout, 3-1/2 in. long, for 120342
150203	-----	Thread Unwinder Spool Rest Cushion (felt), for 225258
200004E	14327	Arm Screw
200006E	13234	Hook Saddle Screw
200009E	13234	" " Pinch Screw, for 223850
200019E	16585	Feed Driving Rock Shaft Crank Pinch Screw, for 223652
200029E	16577	Needle Bar Rock Frame Rock Shaft Crank Pinch Screw, for 223692
200049D	16577	Feed Driving Connection Pinch Screw, for 224106
200056E	10884	Bobbin Winder Stop Latch Screw, for 225382
200061C	16578	Thread Controller Stud Set Screw
200072C	16586	Needle Bar Connecting Stud Pinch Screw, for 223688
200074F	16218	Presser Foot Screw, for 208566
200082D	10881	Bobbin Winder Tension Bracket Screw, for 225382
200082D	10881	Foot Lifter Lifting Lever Extension Screw
200086F	16218	Presser Bar Position Guide Lever Pinch Screw, for 20233E
200086C	16218	Presser Bar Spring Bracket Pinch Screw, for 210949
200092D	16218	Safety Clutch Locking Lever Spring Screw, for 265040

No.	Plate	Name
200098F	16577	Needle Bar Rock Frame Position Bracket Screw
200106E	14366	Feed Dog Screw
200113F	14327	Arm Shaft Connection Belt Timing Collar Set Screw, for 224113
200113F	14327	Knee Lifter Connection Lever Lifting Rod Spring Collar Set Screw, for 227227
200118D	14366	Bobbin Case Opener Screw, for 240014
200125F	16577	Needle Set Screw, for 240020
200132E	16218	Take-up Lever Oiling Felt Screw
200132E	16218	Thread Controller Spring Stop Screw
200157B	16578	Attachment Screw
200159F	16578	Tension Bracket Screw
200160D	14373	Hook Saddle Oil Guard Screw
200161D	16577	Needle Bar Connecting Link Oil Guard Screw
200164B	14327	Arm Shaft Connection Belt Timing Plate Screw
200173D	16585	Feed Lifting Cam Oiling Felt Screw, for 224052
200175D	16577	Needle Bar Thread Guide Screw, for 240020
200256C	16585	Feed Driving Eccentric Regulating Bracket Hinge Screw, for 224107
200256C	16585	Feed Driving Eccentric Regulating Bracket Stop Screw, for 224107
200262H	14373	Knee Lifter Connection Lever Hinge Screw
200262H	14373	Knee Lifter Lifting Lever Hinge Screw
200278H	14327	Arm Cap Screw
200299H	10884	Bobbin Winder Stop Latch Trip Lever Hinge Screw, for 225332
200309E	16578	Tension Release Lever Screw, for 240446
200327C	14327	Arm Shaft Connection Belt Pulley Set Screw, for 225104
200327C	14327	Hook Driving Shaft Bushing Set Screw
200328C	14327	Balance Wheel Position Screw, for 225096
200335C	14327	" " Set Screw, for 225096
200335C	14327	Hook Saddle Bearing Set Screw
200335C	14327	Needle Bar Crank Set Screw, for 202692
200338C	14327	Arm Shaft Bushing (back) Set Screw
200341C	16585	" " (front) Set Screw
200347C	16586	Needle Bar Rock Frame Hinge Stud Set Screw
200352C	16586	Presser Bar Bushing Set Screw
200352C	16586	" " Position Guide Set Screw
200354C	14373	Hook Driving Shaft Lock Ratchet Position Screw, for 265314
200355H	16578	Thread Retainer Set Screw

No.	Plate	Name
200357B	14327	Arm Shaft Oil Packing Stop Screw, for 224102
200362C	13234	Hook Driving Gear Set Screw, for 223867
200362C	13234	" " Shaft Lock Ratchet Set Screw, for 265314
200363C	16578	Take-up Lever Hinge Stud Set Screw
200364C	14366	Bobbin Case Opener Lever Hinge Stud Set Screw, for 240044
200364C	14366	Hook Bushing (lower) Set Screw, for 224024
200374C	13234	Needle Bar Connecting Link Stud Set Screw, for 202692
200380C	10884	Bobbin Winder Pulley Set Screw, for 202473
200382C	14373	Hook Driving Pinion Set Screw, for 240167
200383C	16585	Feed Driving Eccentric Regulating Bracket Flange Set Screw, for 224105
200383C	16585	Feed Driving Eccentric Regulating Screw Check Screw
200383C	16585	Feed Driving Rock Shaft Stop Collar Set Screw, for 202625
200383C	16585	Needle Bar Connecting Link Stud Set Screw, for 202692
200383C	16585	Thread Unwinder Spool Rest Rod Set Screw, for 202490
200387C	16585	Needle Bar Rock Frame Slide Block Stud Set Screw, for 223691
200429C	16577	Needle Bar Crank Position Screw, for 202692
200433C	16585	Feed Driving Eccentric Regulating Screw
200437C	16585	" " " " Bracket Flange Position Screw, for 224105
200446C	16585	Hook Bushing (upper) Position Screw, for 224024
200473B	14366	Face Plate Thumb Screw
200502B	14366	Arm Shaft Bushing (front) Oil Packing Thumb Screw
200543C	15911	Knee Lifter Rock Lever Rod Set Screw, for 223296
200529C	16218	Presser Bar Spring Regulating Screw
200527H	16578	Thread Guide Screw
200520H	14373	Hook Washer Screw, for 240042
200594C	14366	Bobbin Case Tension Spring Screw, for 231100
200602E	14373	Arm Shaft Connection Belt Pulley Position Screw, for 224104
200607C	16585	Feed Driving Eccentric Regulating Bracket Flange Spring Stop Screw
200653C	16577	Presser Bar Lifter Hinge Screw

No.	Plate	Name
200833C	16577	Needle Bar Rock Frame Rock Shaft Crank Connection Hinge Screw
200835D	16587	Foot Lifter Lifting Lever Spring Stop Screw
200861D	16587	Bed Slide (back) Locking Thumb Screw
200861D	16585	Cloth Guide Thumb Screw
200948F	16577	Presser Bar Spring Support Screw
200962C	16218	Safety Clutch Locking Lever Spring Adjusting Screw, for 265036
200975F	16577	Presser Bar Lifting Releasing Lever Bracket Guide Screw
200978H	16218	Thread Controller Disc Screw, for 240446
200984C	14372	Bobbin Case Tension Spring Regulating Screw, for 235100
200993C	16218	Safety Clutch Locking Lever Hinge Screw, for 265040
201018C	16578	Thread Unwinder Spool Rest Set Screw, for 235257
201141C	16586	Needle Bar Rock Frame Slide Block Stud, for 210930
201171C	14366	Feed Driving Connection Hinge Screw
201199F	16578	Thread Controller Stud with 204025, for 240446
201220C	16585	Feed Lifting Cam Set Screw, for 224154
201220C	16585	Hook Driving Pinion Position Screw, for 240167
201222C	13234	Hook Driving Gear Position Screw, for 223867
201224B	16578	Tension Stud, for 240033
201253F	13234	Hook Gib Screw, for 240042
201254C	16218	Safety Clutch Hook Driving Shaft Position Collar Set Screw, for 205030
201349C	14366	Bobbin Case Opener Lever Driving Screw Stud, for 224005
201499B	10881	Bobbin Winder Tension Stud, for 225461
201517E	16218	Feed Driving Connection Hinge Screw Nut
201518E	14366	" Bar Hinge Screw Nut, for 240031
201522E	16218	Needle Bar Rock Frame Rock Shaft Crank Connection Hinge Screw Nut
201525E	16585	Feed Driving Eccentric Regulating Bracket Hinge Screw Nut, for 224107
201525E	16585	Feed Driving Eccentric Regulating Bracket Stop Screw Nut, for 224107
201547C	14366	Bobbin Case Opener Lever Driving Screw Stud Nut, for 224005
201572B	10881	Bobbin Winder Tension Stud Thumb Nut, for 225462
201572B	16586	Tension Thumb Nut, for 240446
201572B	16586	Thread Controller Stud Thumb Nut, for 240446

No.	Plate	Name
201697I	16576	Thread Unwinder Thread Guide Lock Nut, for 235258
202007	14367	Arm Screw Washer
*202057	-----	Bobbin Case Latch Pin, for 235100
202099	16586	Presser Foot Hinge Pin, for 223882
202137	14366	Face Plate Position Pin, for 237175
20224	-----	Arm Shaft Bushing (back) Oil Packing (wick), for 240032
20224	-----	Arm Shaft Bushing (front) Oil Packing (wick), for 207030
20224	-----	Hook Driving Shaft Bushing (back) Oil Packing (wick), for 224111
20224	14367	Arm Cap Screw Washer
20224	14367	Hook Driving Shaft Connection Belt Pulley Spring Flange, for 224104
20224	14367	Safety Clutch Pulley Spring Flange, for 265033
20224	-----	Needle Bar Connecting Link Stud Oil Packing (wick), for 202333
20224	-----	Bobbin Case Opener Lever Hinge Stud Oil Packing (wick), for 223622
20224	-----	Bobbin Winder Frame Oil Packing (wick), for 225453
20224	-----	Feed Driving Connection Hinge Screw Oil Packing (wick)
20224	-----	Feed Driving Connection Oil Packing (wick), for 224106
20224	-----	Needle Bar Rock Frame Hinge Stud Oil Packing (wick), for 210910
20224	-----	Needle Bar Rock Frame Rock Shaft Crank Connection Oil Packing (wick), for 223833
20224	-----	Take-up Lever Driving Stud Oil Packing (wick), for 200099
20224	16584	Feed Driving Eccentric Regulating Bracket, for 224107
20224	16585	Feed Driving Eccentric Regulating Bracket Flange
20224	16585	Foot Lifter Connection Lever Lifting Rod Cotter Pin, for 223624
*20224	-----	Feed Regulating Grind Head, for 224102
20224	-----	Needle Bar Connecting Stud Oil Packing (wick), for 223833
20224	16577	Needle Bar Connecting Link Stud with 20224, for 200099
20224	16577	Presser Bar Position Guide
20224	16577	" " " " Lever with 200099F
20224	16577	Take-up Lever Driving Stud with 20224, for 240051

No.	Plate	Name
202400	16577	Take-up Lever Hinge Stud with 203423, for 240051
202401	-----	Take-up Lever Oiling Felt
202407	10881	Bobbin Winder Tension Spring, for 224402
202412	16578	Thread Guide
202423	-----	Take-up Lever Hinge Stud Oil Packing (wick), for 202400
202443	16585	Feed Regulating Spindle Head Pin, for 224102
202455	15911	Knee Lifter Rock Lever Knee Plate Arm, for 228299
202473	10885	Bobbin Winder Pulley with 203300, for 228292
202478	10884	Bobbin Winder Stop Latch Trip Lever, for 228301
202490	14363	Thread Unwinder Spool Stand with 200390, for 228340
202552	13234	Needle Bar Connecting Link, for 240051
202595	16585	Feed Driving Eccentric Regulator Bracket Plunger Spring
202619	16585	Feed Regulating Spindle Head Position Pin, for 224102
202625	16585	Feed Driving Rock Shaft Stop Collar with two 200383's
202666	16577	Needle Bar Rock Frame Position Bracket
202668	16577	" " " " Slide Block, for 210920
202671	16586	Presser Bar Lifter
202692	16576	Needle Bar Crank with 200340, 200340, 200342's and 200343, for 240051
202784	16578	Foot Lifter Lever Chain Hook (lower), for 227679
203013	-----	Presser Foot Plate, for 229287
203101	-----	Bobbin Case Opener Lever Driving Screw Stud Oil Packing (wick), for 224402
203172	16577	Needle Bar Crank Friction Washer
203214	14366	Bobbin Case Tension Spring, for 224402
203216	-----	" " Washer (cotton), for 224402
203470	14366	Bobbin
203473	14366	" Case Latch Plunger, for 224402
203474	14366	" " Spring, for 224402
203525	14373	Hook Gib, for 240042
203648	14366	Bobbin case latch, for 224402
204235	14327	Arm Position Pin
204271	16579	Tension Release Washer, for 240042
204925	16579	Thread Controller Stud Washer, for 201139
206608	16586	Presser Bar Lifting Releasing Lever Bracket Spring

No.	Plate	Name
206608	14373	Knee Lifter Connection Lever Lifting Rod Spring
207070	16577	Presser Bar Bushing
207080	16586	Cam Shaft Pushing (front) with 202244
207963	16586	Presser Bar Lifting Releasing Lever Bracket
207965	16586	Presser Bar Spring (flat)
209566	16584	" " with 200245
210910	13234	Needle Bar Rock Frame Hinge Stud with 202277
210920	-----	Needle Bar Rock Frame Slide Block 202668 with 201110, for 226691
210949	14312	Presser Bar Spring bracket with 200060
210954	16586	Thread Guide (lower)
210955	16578	" " (upper)
214339	16397	" Lubricator Screw Washer, for 227790
215911	-----	Presser Foot Shank for 229980
223433	16576	Tension Spring, for 240044
223432	14366	Bobbin Case Opener Lever Hinge Stud with 202177, for 240044
223623	14366	Bobbin Case Opener Lever Link, for 240044
223630	14348	Feed Driving Rock Shaft, for 240031
223632	16384	" " " " Crank with 200319E
223635	-----	" Lifting Cam Oiling Felt, for 224052
223639	16396	Hook Saddle Bearing
223694	16586	Knee Lifter Connection Lever Lifting Rod with 202302
223698	16586	Needle Bar Connecting Stud with 2000720 and 202337, for 240051
223699	-----	Needle Bar Rock Frame Rock Shaft, for 223691
223691	14349	Needle Bar Rock Frame Rock Shaft 223690 with 2003370 and 210920
223692	16576	Needle Bar Rock Frame Rock Shaft Crank with 200029E
223693	16576	Needle Bar Rock Frame Rock Shaft Crank Connection with 202277
223703	16529	Tension Release Lever, for 240044
223704	16529	" " Plunger, for 240044
223706	16579	Thread Controller Disc, for 240044
223733	16576	Foot Lifter Lifting Lever Extension
223811	14366	Foot Slide (back) Stop
223812	14366	" " " " Spring
223850	-----	Hook Saddle with 200029E, for 224024
223967	13234	Feed Driving Gear (central) with 2003620 and 201230
224004	14366	Bobbin Case Opener, for 240044
224005	14366	" " Lever with 2015430, 2015430 and 202101, for 240044
224019	16585	Hook Bushing (lower) (brass), for 224024

No.	Plate	Name
224020	16595	Hook Bushing (upper) (brass), for 224024
224022	14375	Hook Driving Pinion Thrust Washer, for 240044
224024	16575	Hook Saddle 223950 with 2003640, 2004460 224019 and 224020, for 240044
224025	14375	Hook Washer, for 240042
224040	16575	Thread Guide
224052	16585	Feed Lifting Cam Fork with 200133D and 223655, for 240039
224102	16583	Arm Shaft with 200357E and 204332
224103	14349	" " Connection Belt
224104	16583	" " " " Pulley with 200377C, 200600E and two 202253
224106	16583	Feed Driving Connection with 200049D and 202277
224107	-----	Feed Driving Eccentric Regulating Bracket 202300 with 204105, two each 200256C and 204255F
224108	16584	Feed Driving Eccentric Regulating Bracket Flange with 200373C, and 200437C, for 204107
224111	16584	Hook Driving Shaft Bushing (back) with 202244
224113	14327	Arm Shaft Connection Belt Timing Collar with 200113F
224121	-----	Drip Pan, 20 in. long, with four 1 in. wire nails
224122	16584	Feed Regulating Spindle with 2003311, 202443 and 200319
224139	14327	Arm Shaft Connection Belt Timing Plate
224154	16585	Feed Lifting Cam with 201270C
224392	-----	Arm Shaft Oil Packing (wick), for 224102
225016	16587	Foot Lifter Lever Hinge Pin, for 227955
225257	14363	Thread Unwinder Spool Rest (for two spools) with 201010C, for 225258
225258	14363	Thread Unwinder (for two spools) complete, Nos. 201690E, 202420, 225257, 225304, 225326, 225328, two each 150203, 225391 and three wood screws 7/8 in., No. 12
225322	16587	Thread Unwinder Thread Guide Rod Washer, for 225324
225324	14363	Thread Unwinder Thread Guide Rod with 200E and 225322, for 225322
225326	16587	Thread Unwinder Thread Guide Position Cup, for 225259
225377	14363	Spool Wire, for small spools
225381	10804	Bobbin Winder Spindle, for 225382

No.	Plate	Name
225382	10804	Universal Bobbin Winder complete, Nos. 2000564, 2000821, 200099H, 200473, 202478, 225391, 225433, 225444, 225453 to 225456, 225458, 225460, 229025, two each 225459 and wood screws 3/4 in., No. 12, R. H. B.
225383	14363	Thread Unwinder Spool Rest Rod, for 225259
225391	14363	Thread Unwinder Thread Guide, for 225259
225433	10805	Bobbin Winder and Tension Bracket Base, for 225382
225434	10804	Bobbin Winder Frame Oil Well Cap, for 225433
225444	10804	Bobbin Winder Stop Latch, for 225382
225453	10804	Nos. 225453 to 225456, for 225382
225458	10804	Bobbin Winder Frame with 201277 and 225439
225461	10804	Bobbin Winder Frame Hinge Pin
225463	10804	" " " Spring
225464	10804	" " " Plunger
225469	10804	" " Stop Latch Thumb Lever, for 225382
225470	10804	Bobbin Winder Stop Latch Thumb Lever Hinge Stud, for 225382
225471	10804	Bobbin Winder Stop Latch Thumb Lever Joint Stud, for 225382
225481	10804	Bobbin Winder Tension Bracket with 201493B, for 225482
225482	10804	Bobbin Winder Tension Bracket complete, Nos. 201527P, 202407, 225461 and two 2100, for 225382
* 225483	-----	Bobbin Case Screw Driver Blade, for 225492
* 225491	-----	Bobbin Case Screw Driver Handle, for 225492
* 225494	-----	Screw Driver Blade, for 225492
* 225495	-----	" " Handle, for 225492
225497	14374	Bobbin Case Screw Driver complete, Nos. 225492 and 225493
225498	14374	Screw Driver complete (7-1/4 in. long), Nos. 225494 and 225495
225504	14374	Wrench (steel)
225505	13214	Hook Saddle Screw Washer
225537	16595	Feed Lifting Cam Fork Screw Washer, for 240039
227227	14373	Knee Lifter Connection Lever Lifting Rod Spring Collar with 200113F
227591	16578	Foot Lifter Lifting Lever Spring
227678	15352	" " Lever Chain, 48 in. long, with 202784, for 227955

No.	Plate	Name
227728	15911	Knee Lifter Rock Lever Rod with 227729, for 228290
*227729	-----	Knee Lifter Rock Lever Rod Cap, for 227728
227952	15352	Foot Lifter Lever (left or right) with 227954, for 227955
227953	15352	Foot Lifter Lever Stand with two wood screws 1 in. No. 10, for 227955
227954	16587	Foot Lifter Lever (Chain Hook (lower), for 227952
227955	15352	Foot Lifter Lever (left or right) complete, Nos. 225019, 227058, 227952 and 227953
228026	10884	Bobbin Winder Tension Bracket Cover Washer, for 225392
228284	15911	Knee Lifter Rock Lever Knee Plate with 3560, for 227298
228294	15911	Knee Lifter Rock Lever with two 3560, for 228299
228295	15911	Knee Lifter Rock Lever Bracket with 3560 and four wood screws 1/2 in., No. 10, for 228299
228296	15911	Knee Lifter Rock Lever Extension with 200829C, for 228299
228297	15911	Knee Plate Rock Lever Hinge Pin, for 228299
228298	15911	Knee Lifter complete, Nos. 202444, 228294, 228296 and 228299
228299	-----	Knee Lifter Rock Lever Bracket 228295 with 228294 and 228297, for 228298
229382	16586	Presser Foot (hinged) complete, Nos. 202090, 203013 and 215011
231337	16587	Cloth Guide
235072	16586	Tension Release Lever Rod
235096	16583	Balance Wheel (disc) (bell grooved, 1 1/2 in. diam.) with 200298 and 200299
*235099	-----	Bobbin Case, for 235100
235100	14366	Bobbin Case complete, Nos. 200298, 200299, 200984C, 202056, 203214, 203219, 203220, 203474, 203648, 203650, 241674, 241685 and two 350405C, for 240071
236060	16578	Tension Disc Position Pin, for 240033
237174	16578	Thread Controller Spring, for 240449
*237175	-----	Arm with 202135
237339	16583	Needle Bar Rock Frame
237529	16576	Hook Driving Shaft Bushing (front)
237777	16583	Face Plate
237779	16587	Thread Lubricator Oil Pad Holder, for 237780
237780	-----	Thread Lubricator complete, Nos. 214271, 237779, 240439, 241535, 241539, 241540 and 350289F

No.	Plate	Name
240003	16582	Feed Slide (back)
240004	16582	" " (front) Nos. 240008 to 240010, for 240005
240008	16582	Feed Dog, 40 needle hole, for needle sizes 16 and 18
240009	16582	Feed Dog, 40 needle hole, for needle sizes 16 and 18
240010	16582	^{size 20} Thread Plate ^{Feed Dog} , 50 needle hole, for needle sizes 14 and 15 Nos. 240011 to 240014, for 240005
240011	16582	Feed Dog, 40 needle hole, for needle sizes 16 and 18
240012	16582	^{size 20} Thread Plate ^{Feed Dog} , 40 needle hole, for needle sizes 16 and 18
240013	16582	Feed Dog, 40 needle hole, for needle sizes 16 and 18
240014	16582	^{size 20} Thread Plate ^{Feed Dog} , 50 needle hole, for needle sizes 14 and 15
240018	14375	Hook Saddle Oil Guard
240019	-----	" " " " Fall
240020	16584	Needle Bar with 200129E, 200129D and 240039
240023	14375	Tension Bracket with 201204B and 226001, for 240446
240025	16582	Throat Plate, for 240005 to 240010
240027	16582	" " " " 240011 to 240014
240031	-----	Feed Driving Rock Shaft 223650 with 201518E, 240038 and 350393C
240034	16582	Thread Retainer
240037	16582	Feed Bar, for 240035
240038	-----	" " 240037 with 224052, 226897 and 350197E, for 240031
240039	16586	Needle Bar Thread Guide, for 240020
*240041	-----	Hook (sewing), for 240040
240042	14373	" 240041 with 203525, 224025, two each 200590H and 201233F, for 240071
240044	-----	Hook Saddle complete, Nos. 200119, 200364C, 223822, 223673, 224004, 224005, 224022, 224024, 240071 and 240167
240046	-----	Needle Bar Crank 202680 with 202219, 202400, 202452, 223689 and 241518
240047	16584	Knee Lifter Connection Lever
240048	16583	" " Lifting Lever
240049	16582	Arm Cap with 244071
240051	-----	Hook and Bobbin Case complete, Nos. 233100 and 240042, for 240044
240052	14373	Hook Driving Pinion (spiral) with 200282C and 201220C, for 240044
240053	14373	Hook Driving Shaft Lock Stud, for 240034

No.	Plate	Name
240214	14371	Hook Driving Shaft Lock Stud Socket, for 240215
240215	-----	Hook Driving Shaft Lock Stud complete, Nos. 240213, 240214, 249423 and 249427
240216	16583	Hook Driving Shaft
*240218	-----	Bed
240439	16587	Thread Lubricator Oil Pad Retainer, for 237780
240446	-----	Tension Bracket, complete, Nos. 200979B, 201199F, 204077, 223400, 223703, 233704, 233706, 233714, 240033, two each 200309E, 20157 B and 240440
240802	16582	Arm Shaft Pusher (back) with 202344
241518	16580	Take-up Lever, for 240051
241674	-----	Bobbin Case Oiling Felt, for 235100
241675	14369	" " " " Retainer, for 235100
241755	-----	Thread Lubricator Oil Pad (felt), for 237780
241758	16587	Thread Lubricator Oil Reservoir, for 237780
241759	-----	Thread Lubricator Oil Wick, for 237780
242117	16596	" Controller Spring Stop
244048	13234	Tension Disc, for 240446
244071	-----	Arm Cap Oil Wick, for 240033
248423	14373	Hook Driving Shaft Lock Stud Cotter Pin, for 240215
248425	14373	Hook Driving Shaft Lock Stud Spring, for 240215
264719	16590	Needle Bar Connecting Link Oil Guard
265032	16218	Safety Clutch Hook Driving Shaft Position Collar with two 2012140, for 265040
265035	16218	Safety Clutch Locking Lever Spring, for 265040
265036	16596	Safety Clutch Folley with 200970 and 202233, for 265040
265040	-----	Safety Clutch complete, Nos. 200923E, 200923C, 265052, 265053, 265054, 265055 to 265057, 265056 and 265057
		Nos. 265050 to 265051, for 265040
265050	16218	Safety Clutch Locking Lever Connecting Link
265051	16218	Safety Clutch Throw-In Latch Spring
265052	16218	" " " " Pin
265056	16218	" " Locking Lever, for 265040
265057	16218	" " Throw-In Latch, for 265040
265314	16576	Hook Driving Shaft Lock Ratchet with 200354C and 200362C
266197E	16185	Need Lifting Cam Fork Screw, for 240033

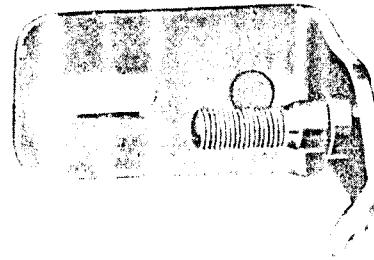
No.	Plate	Name
250090F	16587	Thread Lubricator Screw, for 237780
250093C	14366	Feed Bar Hinge Screw (driving), for 240031
250194C	14366	Bobbin Case Oiling Felt Retainer Screw, for 235100

Genuine Singer Needles should be used
in Singer Machines.
These Needles and their Containers
are marked with the
Company's Trade Mark "SIMANCO."

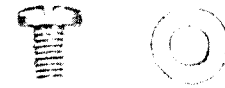
Needles in Containers marked
"For Singer Machines"
are not Singer made needles.

PLATE 1088J--FULL SIZE

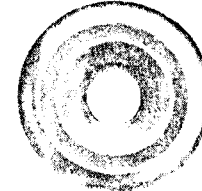
25461



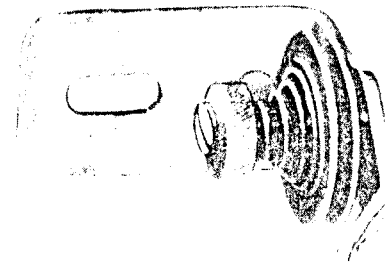
20032 202104



2176



25463



20147



20149



20150



ILLUSTRATIONS
OF
PARTS

PLATE 10884 FULL SIZE

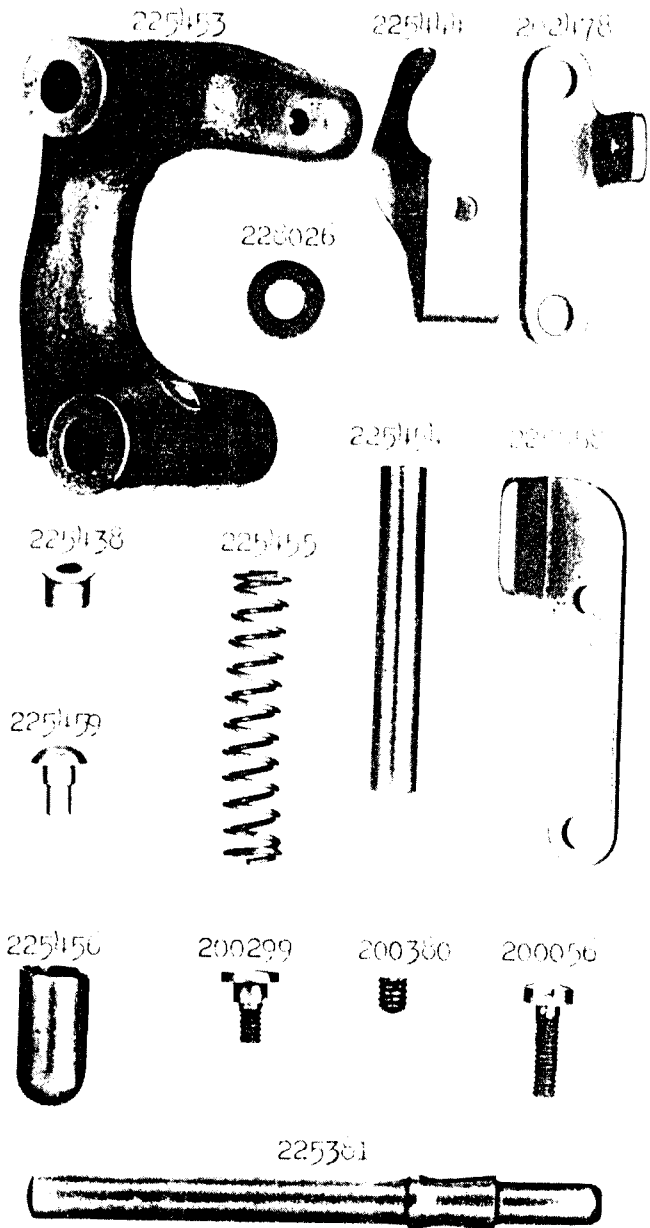


PLATE 10885 ONE-FOURTH SIZE

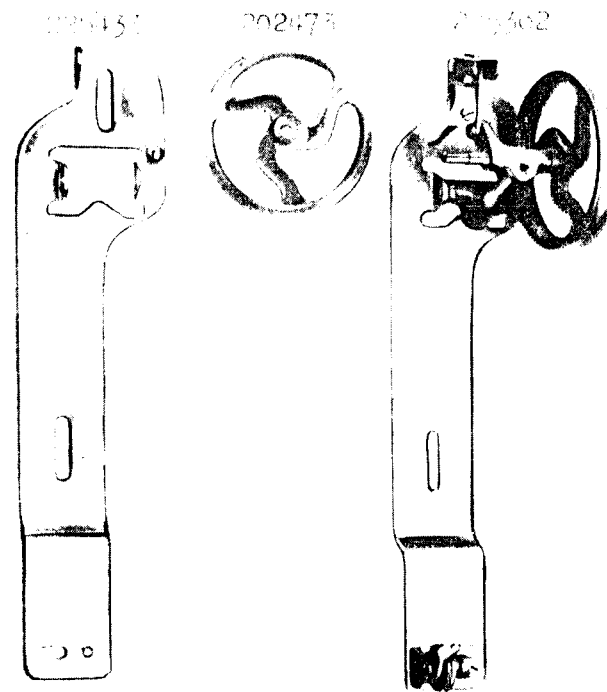


PLATE 13234 - FULL SIZE

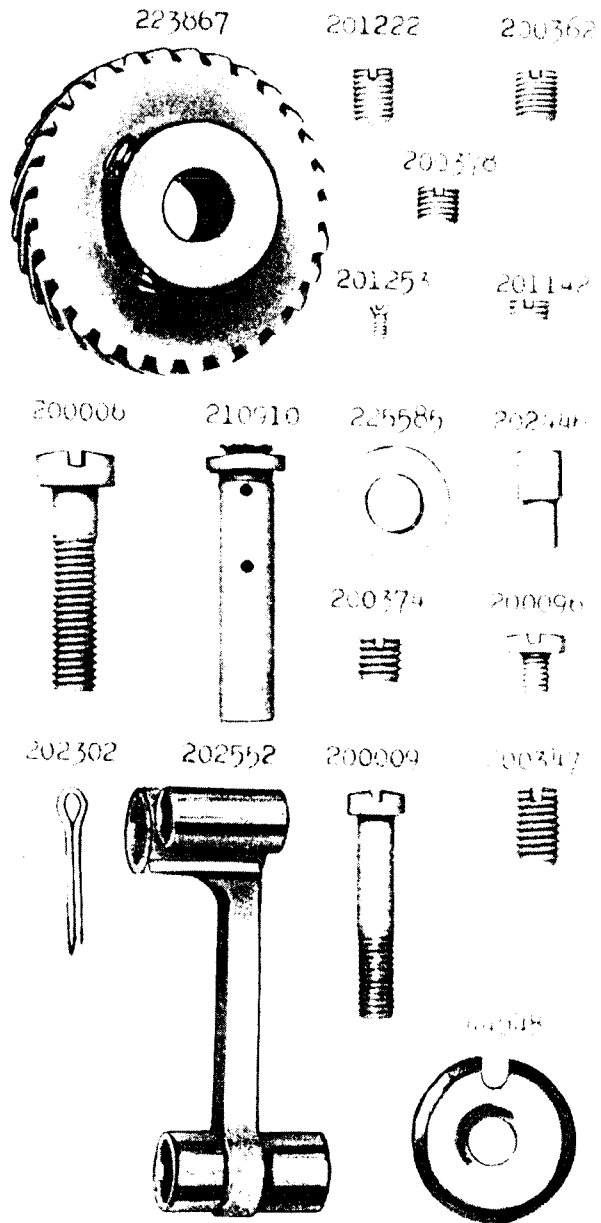


PLATE 14327 - FULL SIZE

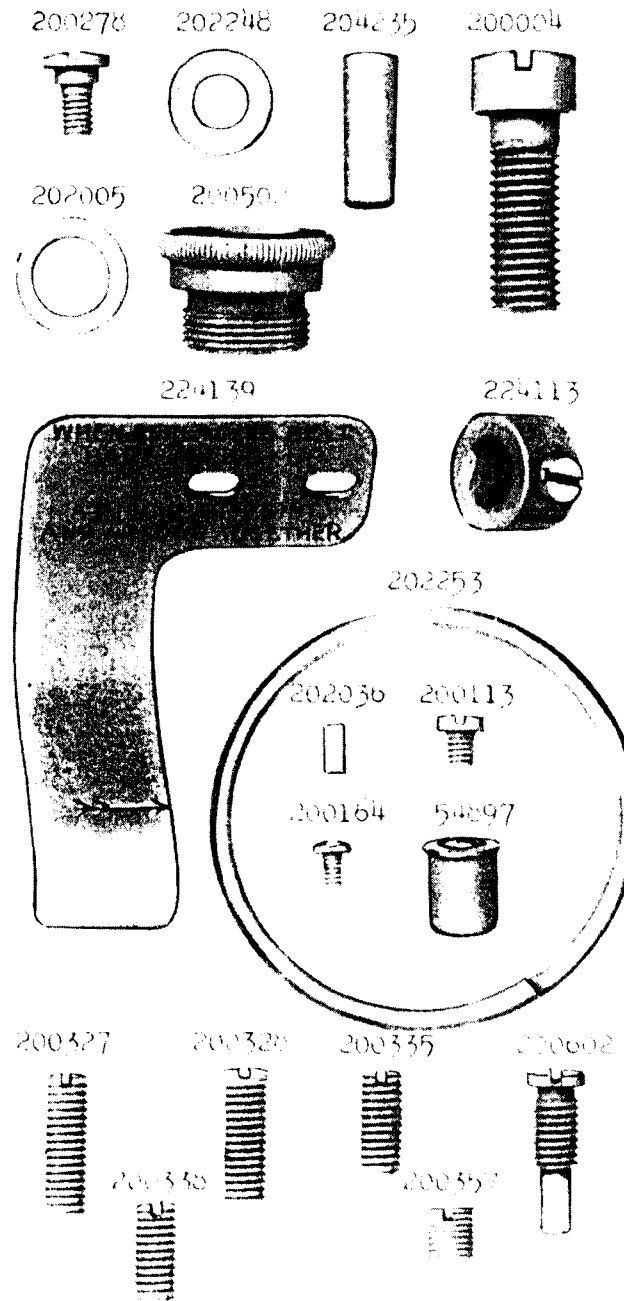


PLATE 14334 - ONE-HALF SIZE

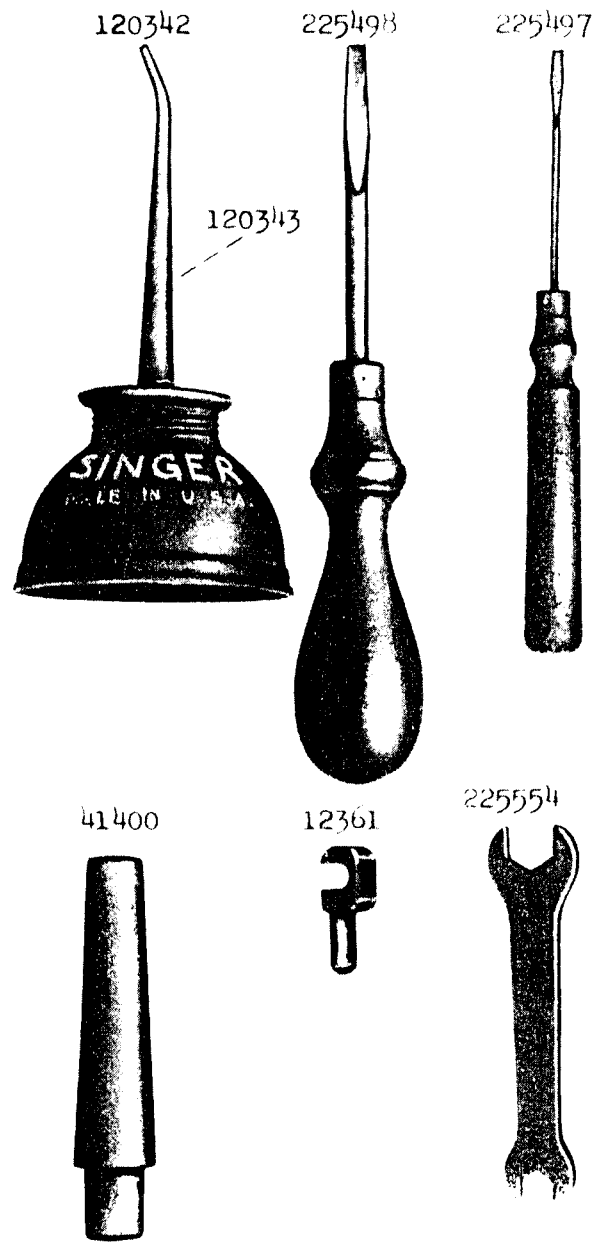


PLATE 14348 - ONE-HALF SIZE

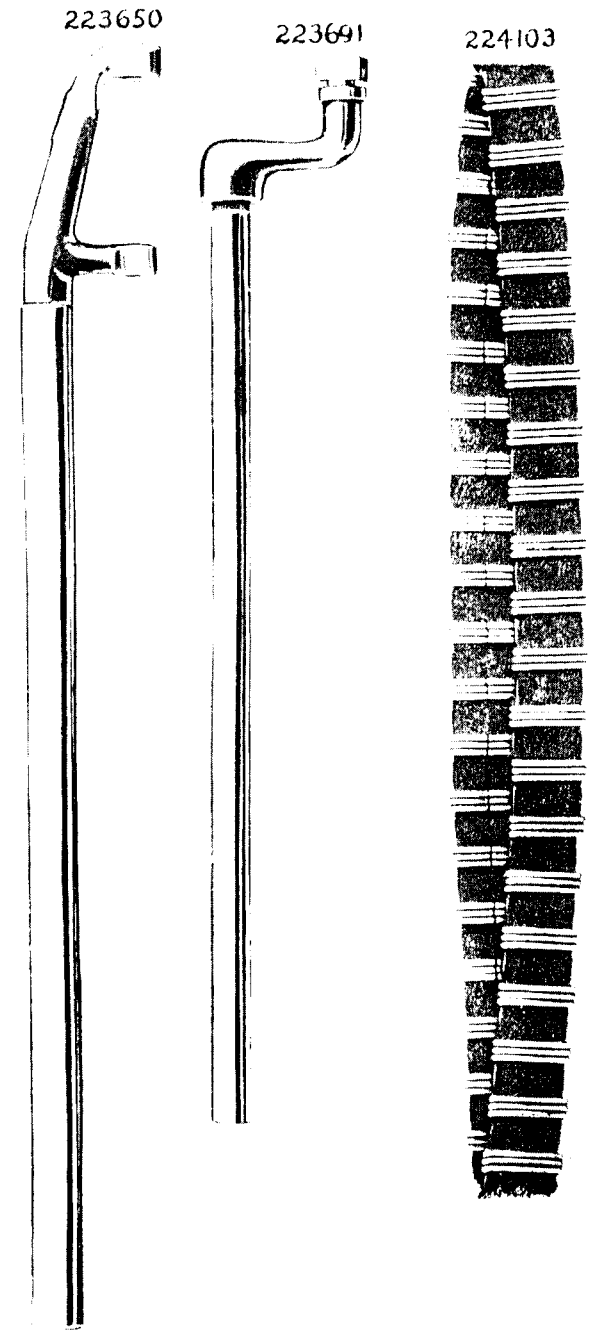


PLATE 14363—ONE-SIXTH SIZE

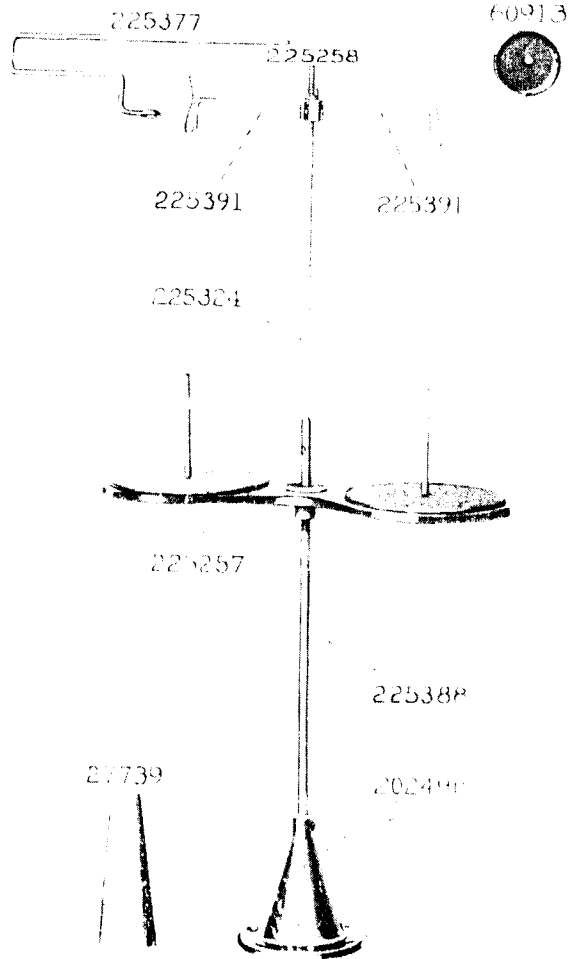


PLATE 14366 - FULL SIZE

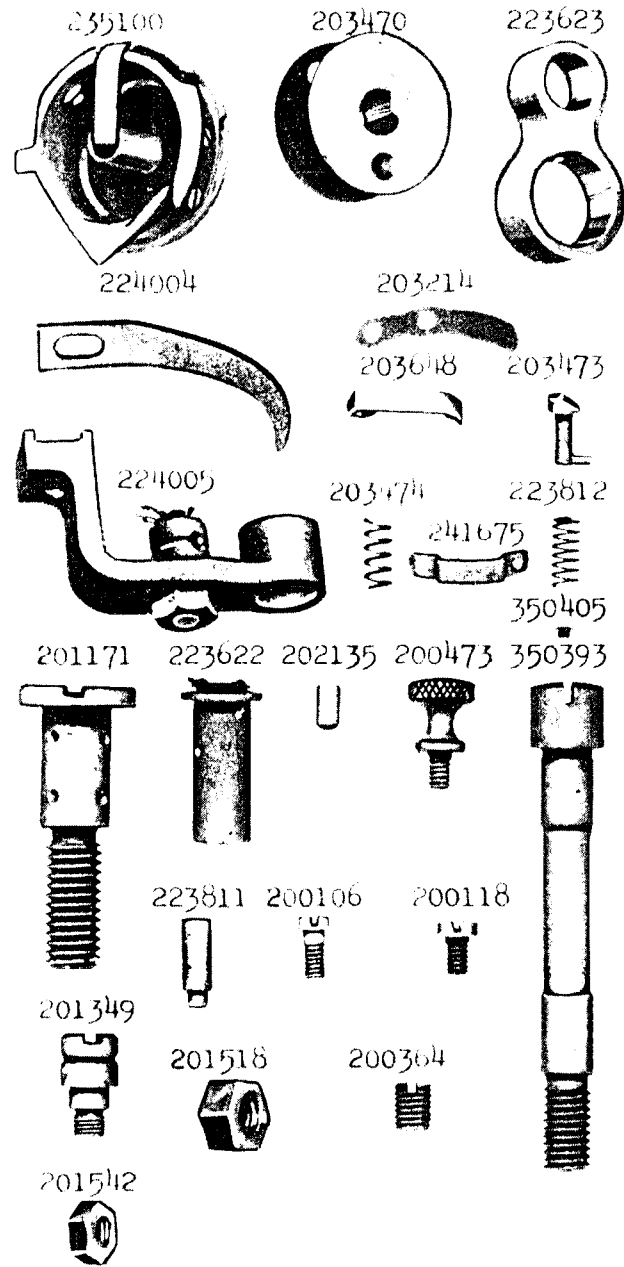


PLATE 14372 - FULL SIZE

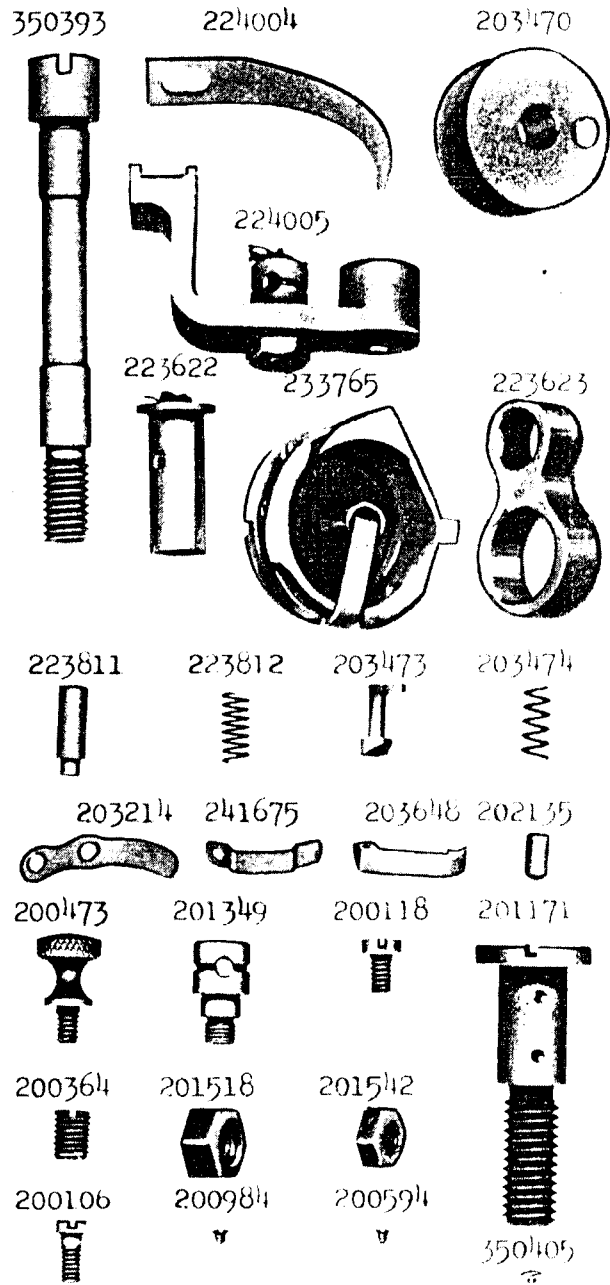


PLATE 14373 - FULL SIZE

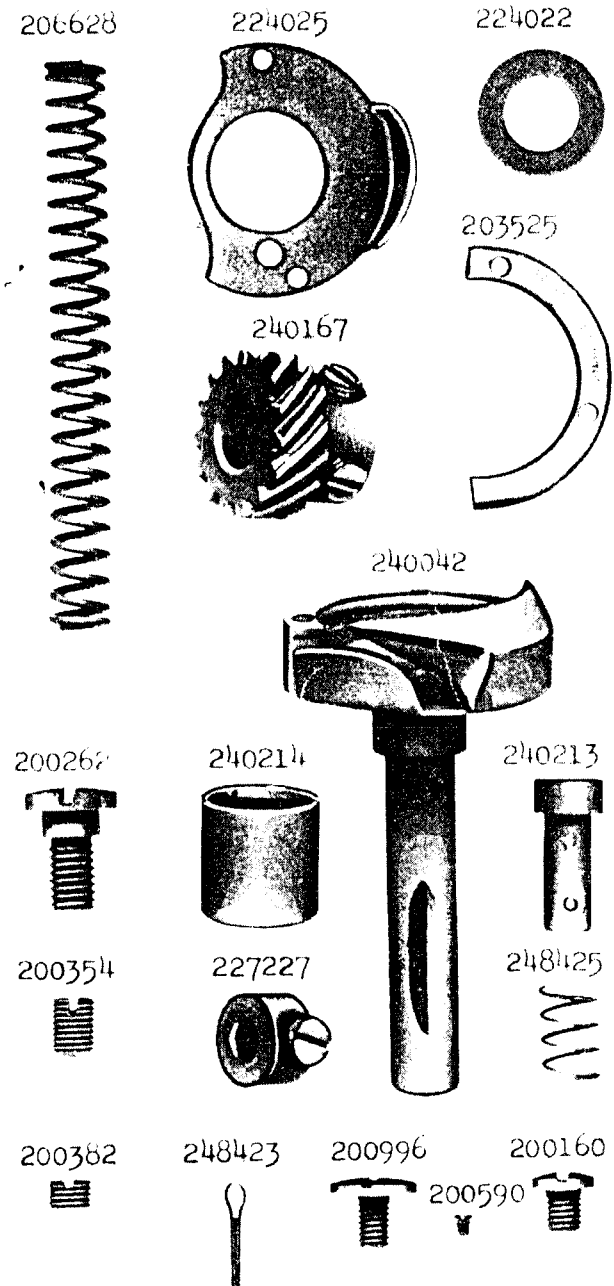


PLATE 14375 - FULL SIZE

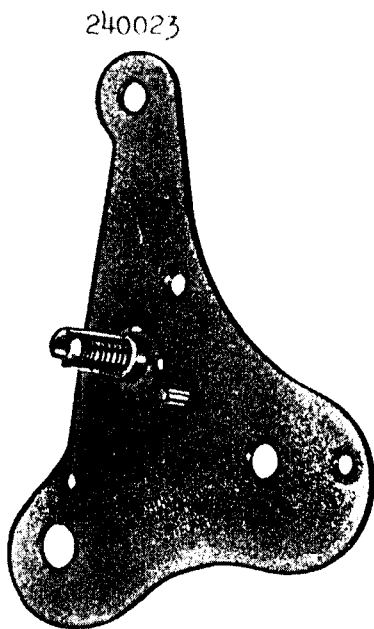
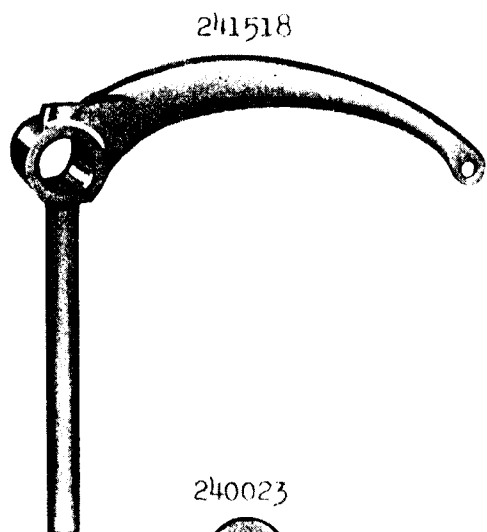
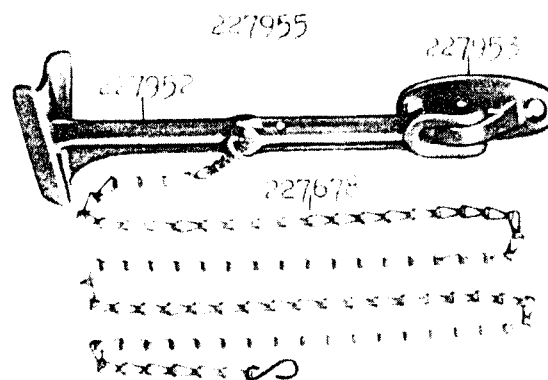


PLATE 15352 - ONE-FOURTH SIZE



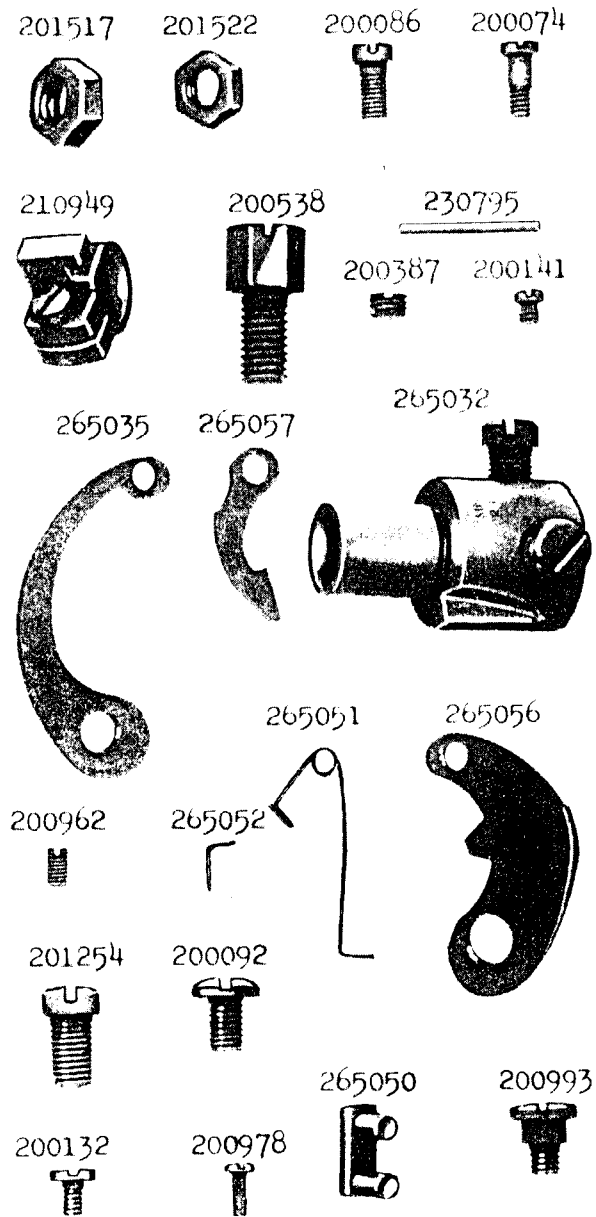
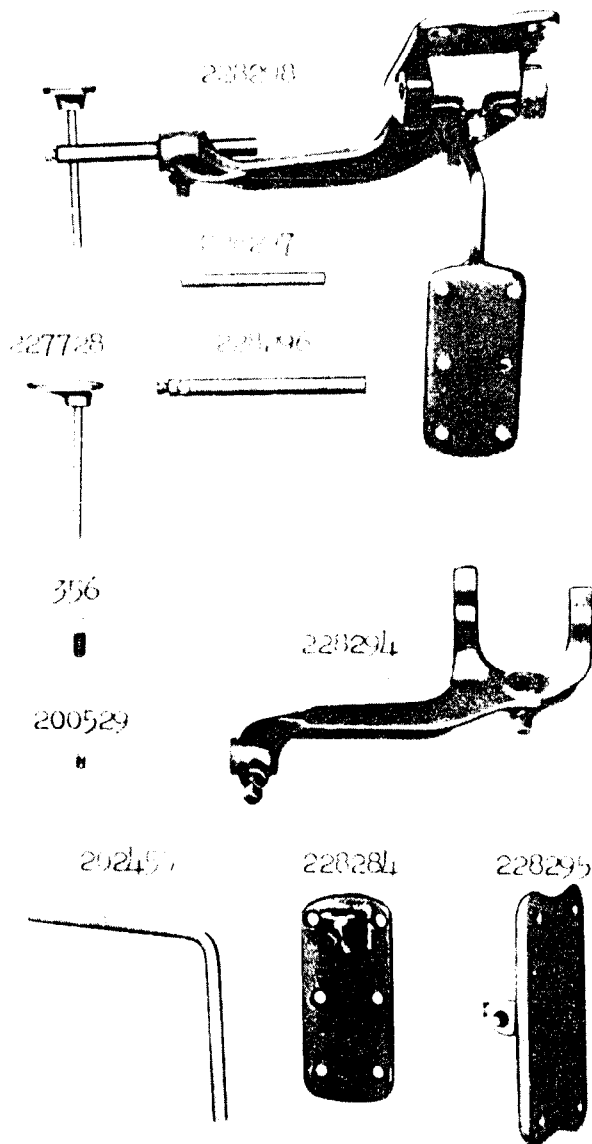


PLATE 16576 - ONE-HALF SIZE

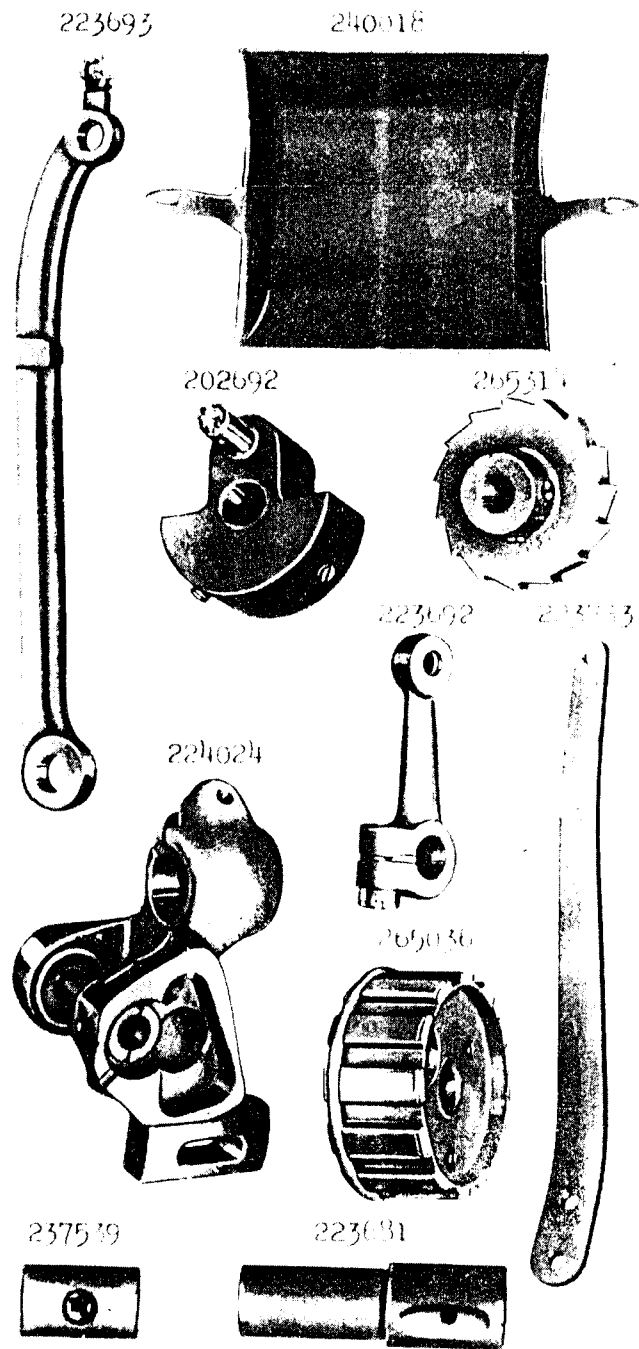


PLATE 16577 - FULL SIZE

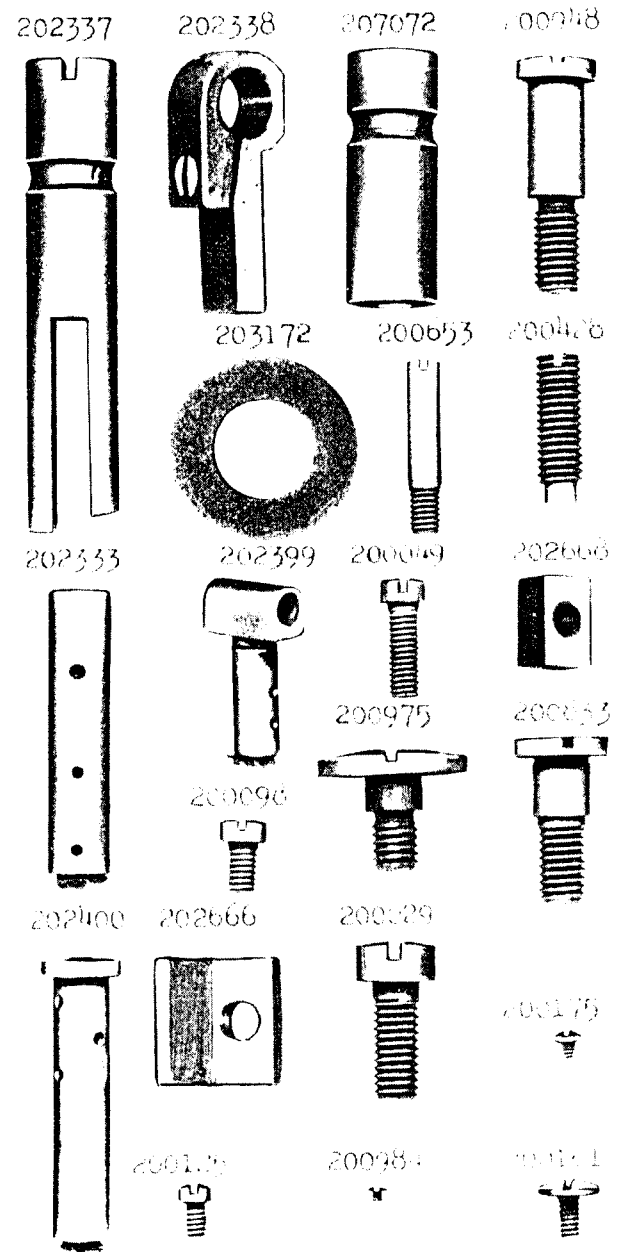


PLATE 16578 - FULL SIZE

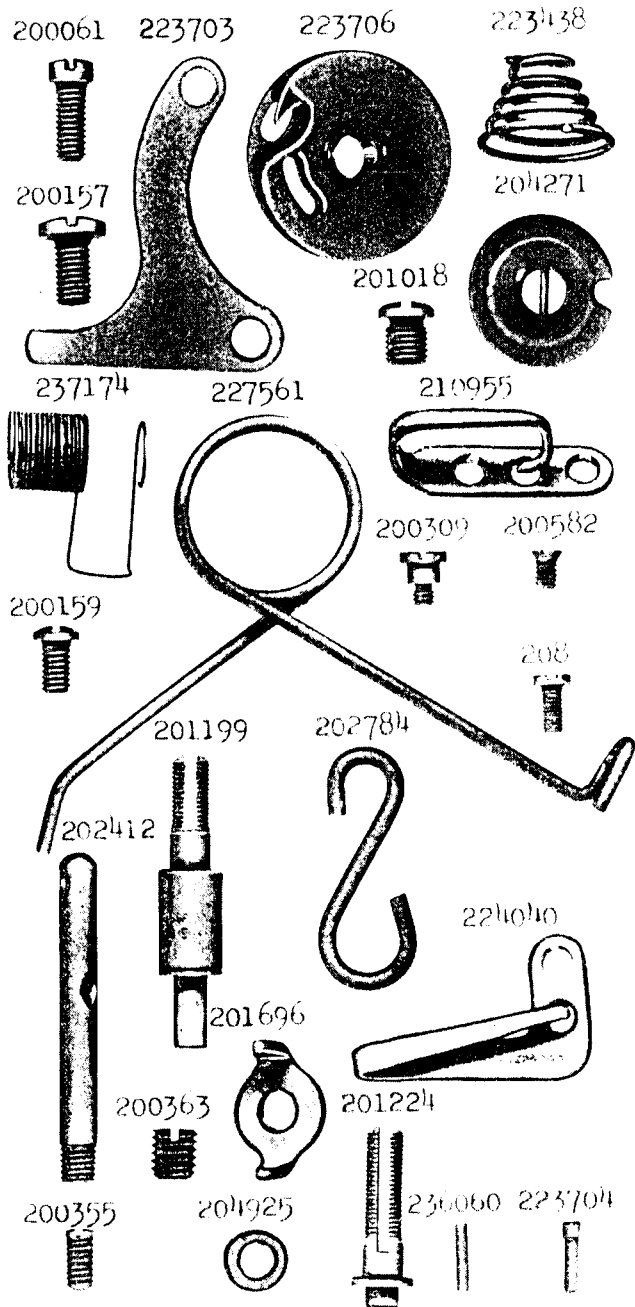


PLATE 16582 - ONE-HALF SIZE

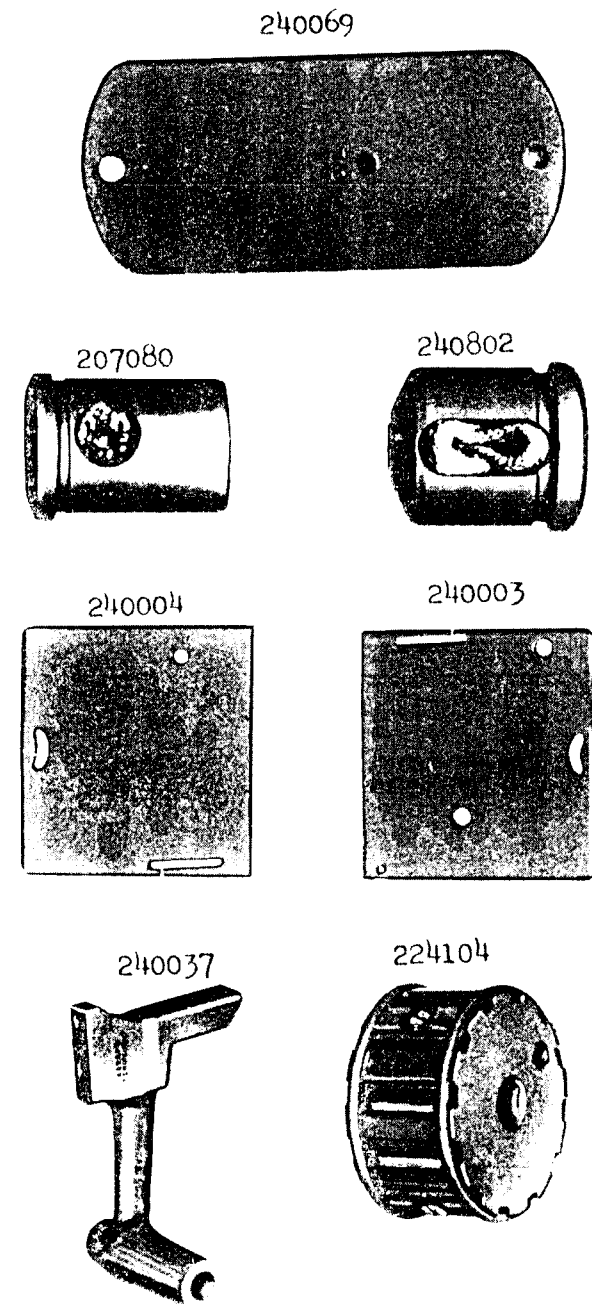
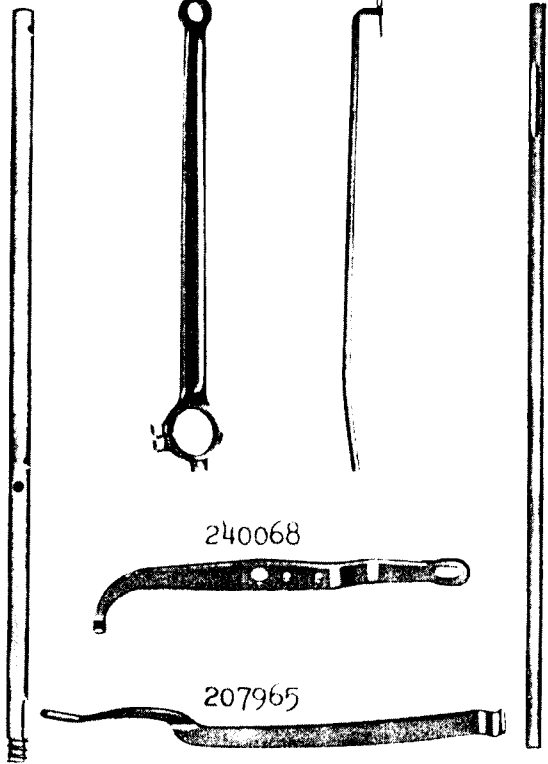
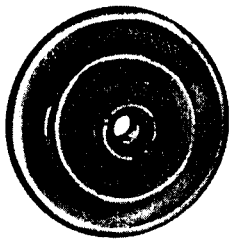


PLATE 16583 - ONE-FOURTH SIZE

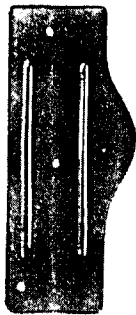
224102 224106 223684 240216



235096



237777

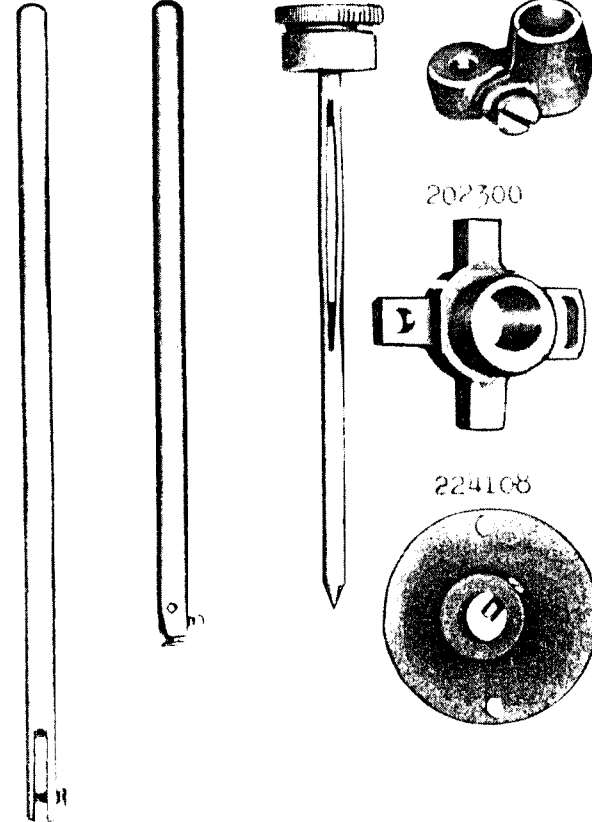


237339



PLATE 16584 - ONE-HALF SIZE

208566 240020 224122 223652



224111



240057



PLATE 16585 - FULL SIZE

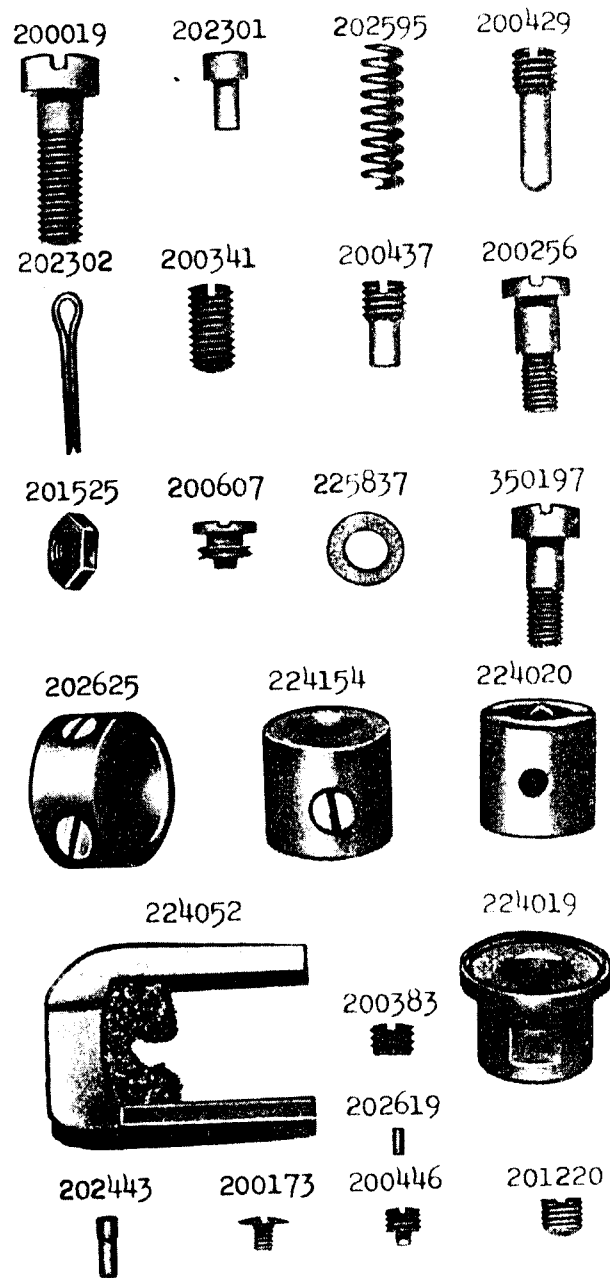


PLATE 16586 - FULL SIZE

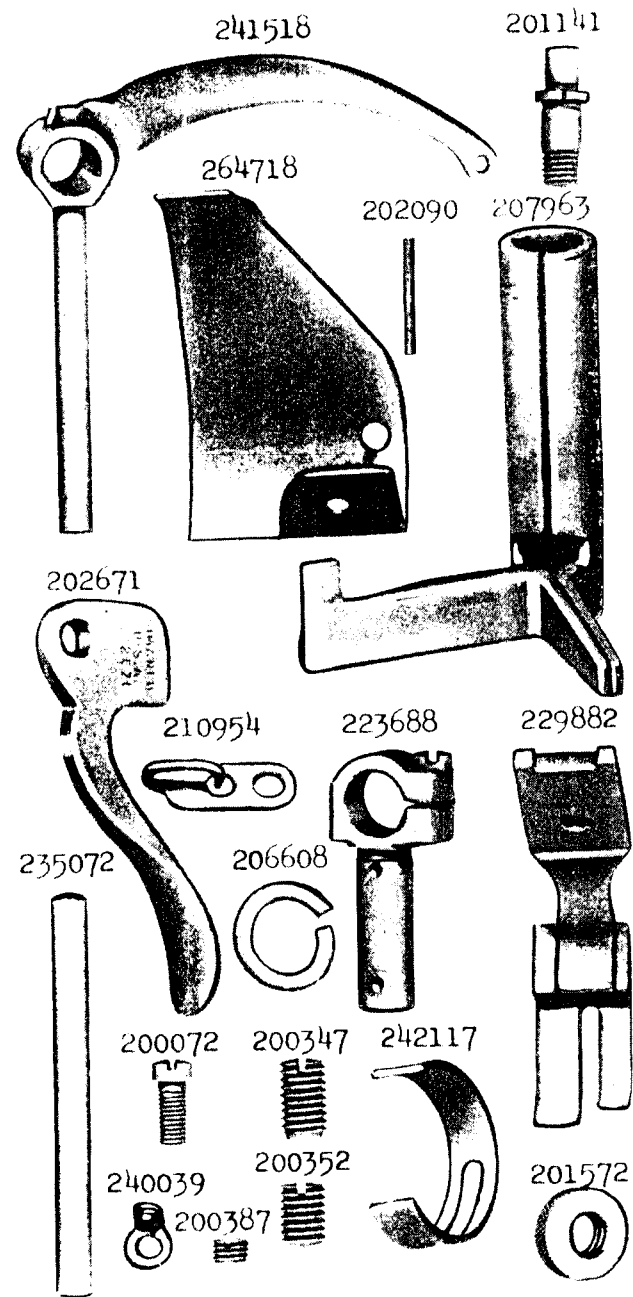


PLATE 16587 - FULL SIZE

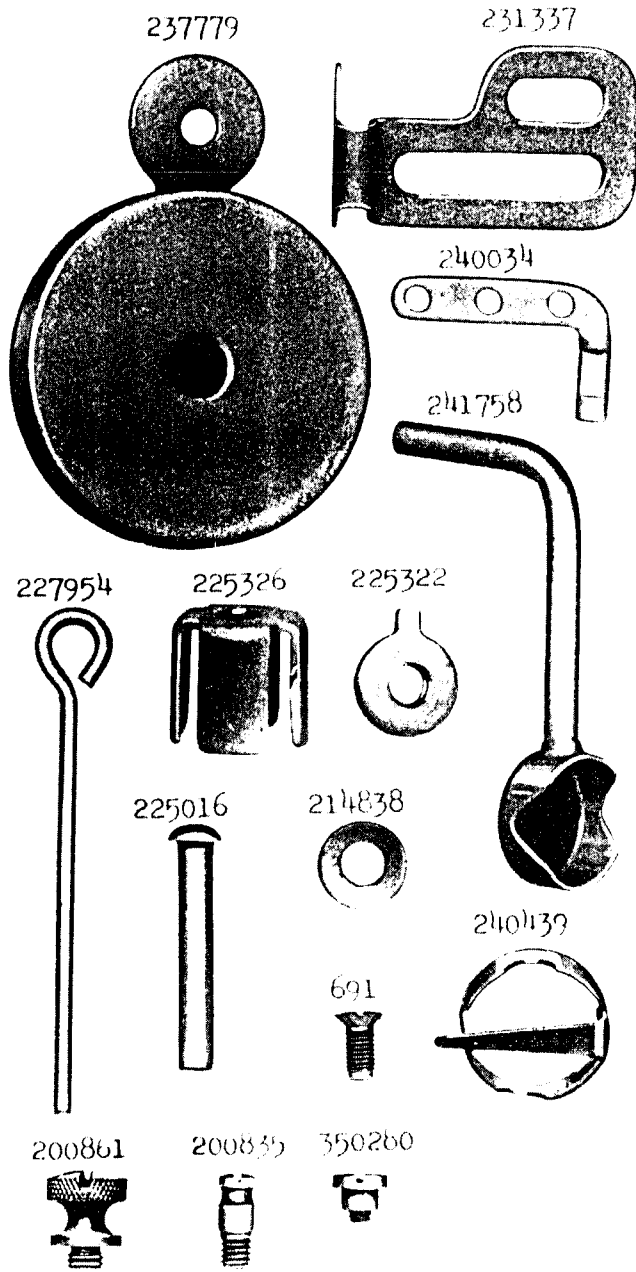


PLATE 16588 - FULL SIZE

