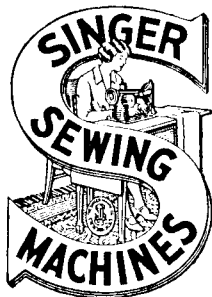


**SINGER**  
**114W120**

*Back Cabinet*

# LIST OF PARTS



## MACHINE No. 114w120

### INDEX

---

	PAGE
ACCESSORIES .....	18
MACHINE No. 114w120 .....	7
NUMERICAL LIST OF PARTS .....	25
OBSOLETE PARTS .....	23
PARTS FOR VARIOUS CLASSES OF WORK .....	19
SPOOL WINDING OUTFIT .....	23

---

THE SINGER MANUFACTURING COMPANY

# Instructions for Ordering

In ordering from this list, use **ONLY** the **PART** number in the **FIRST** column.

The number stamped on a Sewing Machine Part is the number of the Single Part only, except when the part includes Set Screws, Clamping Screws, Studs and Rollers Spun on, Small Wires riveted, or Parts soldered together, etc., which it is necessary to furnish in combination.

Every combination of part sent out has its specific number which, although not stamped on Parts (except in above cases) must be used when ordering the combination.

Each number always indicates the **SAME PART** in whatever list it appears, or for whatever Machine.

The letters after some of the numbers indicate the style of finish only, as follows:

- A. Hardened, Polished and Plated.
- B. Polished and Plated.
- C. Hardened only.
- D. Polished only.
- E. Soft, not polished.
- F. Hardened and Polished.
- H. Blued.

These letters **MUST BE USED** when they appear in the list and **AFTER** the number, as in the list.

In this series

- 200001 to 201500 are Screw Numbers.
- 201501 to 201800 are Nut Numbers.
- 201801 to 202000 are Roller Numbers.
- 202001 and upward are numbers of Machine Parts.

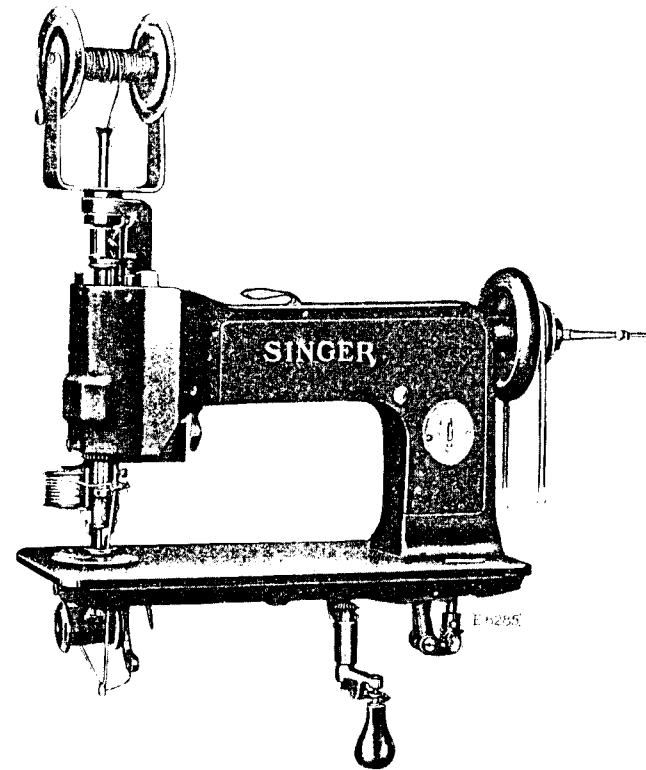
The figures in the second column refer only to the plate in which the illustration of the part is shown and are **NOT TO BE USED** in ordering.

Two or more numbers over a cut indicate that the difference between such parts is not visible in an illustration.

Parts marked with an asterisk (\*) are furnished only when repairs are made at the factory.

## LIST OF PARTS COMPLETE

FOR



## MACHINE No. 114w120

UNIVERSAL FEED CORDING MACHINE

For Ornamenting Ladies' Cloaks and Suits,  
Millinery, Uniforms, Draperies, etc.

No.	Plate	Name
*231841	---	Arm with 201048s, 231849 and two 10554 .....
231842	12937	Arm Head .....
10554	12961	" " Position Pin .....
200011b	12938	" " Screw (2) .....
231843	12937	" " Sleeve .....
231829	12937	" " " Bearing with two each 200355H, 231830 and four 200076D .....

No.	Plate	Name
231830	12937	Arm Head Sleeve Bearing Friction Gib .....
200355H	12938	Arm Head Sleeve Bearing Friction Gib Adjusting Screw .....
200076D	12938	Arm Head Sleeve Bearing Friction Gib Screw .....
200024D	12938	Arm Head Sleeve Bearing Screw (2) .....
231605	12938	Arm Head Sleeve Bevel Gear with 201052c .....
201052c	12941	Arm Head Sleeve Bevel Gear Set Screw .....
231606	12938	Arm Head Sleeve Collar with two 201021c .....
201021c	12938	Arm Head Sleeve Collar Set Screw 10554 12961 " Position Pin (2) .....
200029E	12938	" Screw (4) .....
231848	12937	" Shaft .....
203244	12938	" " Collar with two 200393c .....
200393c	12938	" " " Set Screw .....
222412	12938	" " Driving Flange with 200098F and 201032F .....
201032F	12938	Arm Shaft Driving Flange Position Screw .....
200098F	12938	Arm Shaft Driving Flange Set Screw .....
231849	—	Arm Side Cover .....
201048B	12938	" " " Thumb Screw ...
*222623	—	Bed .....
243110	12944	Cord Spool Bracket .....
231834	12938	" " " Ball Bearing with twelve 231835 .....
231835	12938	Cord Spool Bracket Ball Bearing Ball, $\frac{1}{4}$ in. diameter .....
231836	12938	Cord Spool Bracket Ball Bearing Friction Washer (2) .....
200055E	12961	Cord Spool Bracket Screw (3) ...
231852	12938	" " Friction Spring .....
200479F	12938	" " " Adjusting Thumb Screw .....
201215F	12961	Cord Spool Friction Spring Screw (2) .....
231853	12937	Cord Spool Spindle .....
231987	12939	Covering Thread Guide (lower section) .....
231995	12939	Covering Thread Guide (upper section) .....
231997	12939	Covering Thread Guide Pin (long)
231998	12939	" " " " (short)
231960	12939	" " " Position Pin

No.	Plate	Name
231996	12939	Covering Thread Guide Rod .....
231984	12939	" " " Spring .....
665D	12939	" " " Screw .....
200893D	12939	" " " Thumb Screw .....
231988	—	Covering Thread Guide complete, Nos. 231984, 231987, 231995, 231996, 231998, two 231997 and four 665D .....
222565	12940	Driving Pulley .....
222416	12940	" " Sleeve .....
200062H	12939	" " " Screw .....
231854	12940	Face Plate .....
200469B	12939	" " Thumb Screw .....
231734	12939	Feed Bell Crank with 201035F and 201864 .....
231828	12939	Feed Bell Crank Hinge Stud ....
200378c	12939	" " " " " Set Screw .....
201864	12939	Feed Bell Crank Roller .....
201035F	12939	" " " " Screw ....
243101	12939	" Lever .....
231736	12939	" " Bracket with 200125F ..
231737	12939	" " " Guide .....
231738	12939	" " " " Bearing ....
231739	—	" " " " " 231738 with 231737, 231740 and two 200581H .....
200072F	12939	Feed Lever Bracket Guide Bearing Screw (2) .....
231740	12939	Feed Lever Bracket Guide Cap ....
200581H	12939	" " " " " Screw .....
200125F	12939	" " " Set Screw .....
200680F	12939	" " Hinge Screw Stud ....
243102	12941	" Recovering Spring (left) ....
243103	12941	" " " (right) ...
201051D	12941	" " " Screw (2) ..
231839	12941	" Regulating Collar with 200692F ..
200692F	12941	" " " Screw Stud..
*231863	—	" Rotating Pinion .....
*231864	—	" " " Bevel Gear ...
231865	12941	" " " " " Stud (eccentric) .....
200337c	12941	Feed Rotating Pinion Bevel Gear Stud Set Screw .....
231866	12941	Feed Rotating Pinion and Bevel Gear complete, Nos. 231863 and 231864 .....

No.	Plate	Name
*231867	12940	Feed Rotating Shaft .....
243119	—	“ “ “ 231867 with 231831 and 231868 .....
227224	12941	Feed Rotating Shaft Collar with 201052c .....
201052c	12941	Feed Rotating Shaft Collar Set Screw .....
*231868	12941	Feed Rotating Shaft Gear (front)
231831	12941	“ “ “ “ “ Position Pin .....
231870	12941	Feed Rotating Shaft Gear (rear) with two 200098F .....
200098F	12938	Feed Rotating Shaft Gear (rear) Set Screw .....
231746	12942	Feed Slide Bar .....
231838	12942	“ “ Block .....
222433	12941	Looper .....
222434	12942	“ Bracket .....
222404	12938	“ “ Position Pin (2) ....
201058E	12941	“ “ Screw (2) .....
222435	12942	“ Operating Bell Crank with two 201057F .....
222436	12942	Looper Operating Bell Crank Bracket .....
222437	—	Looper Operating Bell Crank Bracket 222436 with 222596 and 222624 .....
202004	12941	Looper Operating Bell Crank Bracket Position Pin (2) .....
201058E	12941	Looper Operating Bell Crank Bracket Screw (short) (3) ....
231850	—	Looper Operating Bell Crank Bracket complete, Nos. 201047c, 201622c, 222437, 222445, 222644, 231875 and two 222438 .....
222438	12941	Looper Operating Bell Crank Hinge Block .....
201057F	12941	Looper Operating Bell Crank Hinge Block Screw Stud .....
201047c	12941	Looper Operating Bell Crank Hinge Screw .....
201622c	12941	Looper Operating Bell Crank Hinge Screw Nut .....
222439	12941	Looper Operating Cam .....
222526	12941	“ “ “ Position Pin
222640	12941	“ “ Collar with 350099c
350099c	12941	“ “ “ Set Screw ..
*231873	—	“ “ Connection (cam end) .....

No.	Plate	Name
231874	12942	Looper Operating Connection 231873 with 222620 and two 197D
231875	—	Looper Operating Connection 231874 with 222435, 222442 and two 205510 .....
*222620	—	Looper Operating Connection (swivel end) .....
2269	12941	Looper Operating Connection (swivel end) Position Pin .....
197D	12941	Looper Operating Connection (swivel end) Screw .....
222442	12941	Looper Operating Connection Swivel .....
205510	12941	Looper Operating Connection Swivel Hinge Pin .....
222641	12941	Looper Operating Gear (spiral) ..
222642	—	“ “ “ 222641 with 222640 and 222643 .....
222643	12943	Looper Operating Gear Spring ...
222644	12942	“ “ Shaft .....
222445	12943	“ “ “ Guide Block with 201052c .....
201052c	12941	Looper Operating Shaft Guide Block Set Screw .....
222624	12943	Looper Operating Shaft Sleeve and Gear .....
222447	12943	Looper Operating Shaft Sleeve Gear
222596	—	“ “ “ “ “ 222447 with 200119F .....
200119F	12943	Looper Operating Shaft Sleeve Gear Set Screw .....
222448	12943	Looper Position Plate .....
200099H	12943	“ “ “ Screw .....
231876	12942	Needle Bar .....
231877	12942	“ “ Operating Collar with 350041F .....
231878	12942	Needle Bar Operating Slide .....
231879	12943	“ “ Pinch Collar .....
350041F	12943	“ “ “ “ Thumb Set Screw .....
231880	12943	Needle Bar Position Bracket .....
201009c	12943	“ “ “ “ Screw (2) .....
231881	12943	Needle Driving Cam with 231753..
201836	12943	“ “ “ Roller .....
231753	12943	“ “ “ “ Stud ...
222574	12944	“ Plate, for needle sizes 1 to 12
201049D	12943	“ “ Clamping Thumb Screw

No.	Plate	Name
231887	12952	Nipple (three thread, $\frac{3}{8}$ inch) ...
231913	12944	" Carrier .....
231716	12944	" " Bell Crank .....
231717	12943	" " " " Hinge Stud
200346c	12943	" " " " " "
		Set Screw .....
231915	12943	Nipple Carrier Guide Block .....
200145c	12943	" " " " Screw
		(2) .....
231718	12944	Nipple Carrier Lifting Connection
231826	12944	" " " " "
		Extension .....
231719	12943	Nipple Carrier Lifting Connection
		Guide Stud .....
200364c	12943	Nipple Carrier Lifting Connection
		Guide Stud Set Screw .....
201412c	12943	Nipple Carrier Lifting Screw Stud
231989	12943	" " Spring .....
350077d	12943	" " Thumb Screw (pressure regulating) .....
200145c	12943	Nipple Screw .....
231986	—	Presser Foot with 222529 .....
243112	12961	" " Clamp with 200854c.
200854c	12961	" " " Set Screw ....
243113	12944	" " Lever .....
231761	12944	" " " Swivel .....
201191f	12945	" " " " Hinge
		Screw (2) .....
201185d	12945	Presser Foot Lever Swivel Stop
		Screw .....
231762	12945	Presser Foot Lifter with 201074c..
201074c	12945	" " " Position Screw.
231763	12945	" " " Stop Pin .....
231764	12945	" " " " " Spring
231765	12945	" " Lifting Lever .....
222529	—	" " Shoe (rubber) .....
231766	12944	" " Slide Bar .....
200047d	12945	" " " " Adjusting
		Screw .....
222582	12944	Presser Foot Slide Bar Guide ...
200364c	12943	" " " " " Set
		Screw .....
243105	12945	Presser Foot Slide Bar Spring
243106	12945	" " " " " "
		Plunger .....
222586	12945	Presser Foot Slide Bar Spring Stop
200145ff	12943	" " " " " "
		Screw .....
350127d	12945	Presser Foot Slide Bar Thumb
		Screw (pressure regulating) ...

No.	Plate	Name
231767	12944	Presser Foot Slide Bell Crank ....
243107	12945	" " " " " Hinge
		Stud (eccentric) .....
200362c	12945	Presser Foot Slide Bell Crank
		Hinge Stud Set Screw .....
231926	12947	Spool Carrier with 200145c, 231952
		and 231966 .....
243114	12947	Spool Carrier Bracket with 231929,
		231949 and 350042E .....
201215F	12961	Spool Carrier Bracket Screw ....
231929	12947	" " Cord Guide .....
243111	12961	" " Disengaging Lever with
		201945 and 350098c .....
231931	12947	Spool Carrier Disengaging Lever
		Friction Spring .....
231932	12947	Spool Carrier Disengaging Lever
		Friction Spring Plunger .....
200386c	12947	Spool Carrier Disengaging Lever
		Friction Spring Plunger Adjust-
		ing Screw .....
201945	12947	Spool Carrier Disengaging Lever
		Roller .....
350098c	12947	Spool Carrier Disengaging Lever
		Roller Screw Stud .....
231933	12947	Spool Carrier Driving Bevel Gear
		with two 200380c .....
200380c	12938	Spool Carrier Driving Bevel Gear
		Set Screw .....
231934	12947	Spool Carrier Driving Bevel Gear
		(intermediate) .....
231935	12947	Spool Carrier Driving Bevel Gear
		(intermediate) Bracket with
		201387F .....
201387F	12961	Spool Carrier Driving Bevel Gear
		(intermediate) Bracket Set Screw
200996c	12947	Spool Carrier Driving Bevel Gear
		(intermediate) Cap Screw ....
231936	12947	Spool Carrier Driving Bevel Pinion
231937	12947	" " " Collar with two
		200382c .....
200382c	12947	Spool Carrier Driving Collar Set
		Screw .....
231938	12947	Spool Carrier Driving Gear .....
231939	12948	" " " " (inter-
		mediate) .....
231940	12948	Spool Carrier Driving Gear (inter-
		mediate) Bracket with 200097c..
201058E	12941	Spool Carrier Driving Gear (inter-
		mediate) Bracket Screw (2) ...

No.	Plate	Name
231941	12948	Spool Carrier Driving Gear (intermediate) Stud (eccentric) .....
200097c	12948	Spool Carrier Driving Gear (intermediate) Stud (eccentric) Set Screw .....
231942	12948	Spool Carrier Driving Sleeve Gear
243115	12948	" " Gear with 231960 ....
231944	12948	" " " Driving Bevel Gear with 201052c .....
201052c	12941	Spool Carrier Gear Driving Bevel Gear Set Screw .....
231945	12948	Spool Carrier Gear Driving Gear with two 200380c .....
231947	12948	Spool Carrier Gear Driving Gear (intermediate) .....
350039E	12948	Spool Carrier Gear Driving Gear (intermediate) Screw Stud ....
231946	12946	Spool Carrier Gear Driving Gear Cover .....
200066D	12948	Spool Carrier Gear Driving Gear Cover Screw (2) .....
200380c	12938	Spool Carrier Gear Driving Gear Set Screw .....
231948	12948	Spool Carrier Gear Driving Gear Shaft .....
231949	12948	Spool Carrier Position Pin .....
350042E	12948	" " Screw Stud .....
231965	12948	" " Spring .....
201684D	12948	" " " Adjusting Thumb Nut .....
231950	12948	Spool Carrier Spring Adjusting Thumb Nut Stop Pin .....
231966	12948	Spool Carrier Spool Pin .....
231951	12948	" " Stop Collar with two 201416c .....
201416c	12948	Spool Carrier Stop Collar Set Screw
222485	12946	" Holder and Tension Bracket
201058E	12941	" " " " " Screw (2) .....
201036E	12948	Spool Screw Stud .....
222590	---	Spool Holder and Tension Bracket complete, Nos. 200132E, 200281D, 201036E, 201039E, 201040D, 202248, 222485, 222588, 222591, 222626 and 222627 .....
231952	12949	Spool Tension Spring .....
200145c	12943	" " " Screw .....
222487	12949	Starting Trip Lever with 201054c..
222488	12949	" " " Block .....
201054c	12949	" " " " Screw Stud

No.	Plate	Name
201035E	12939	Starting Trip Lever Hinge Screw..
222631	12946	" " " (intermediate)
201033D	12949	" " " " " Hinge Screw Stud .....
222490	12949	Starting Trip Lever Rod .....
231963	12946	" " " Slide .....
232492	12949	" " " " Cap ....
200110D	12949	" " " " " Screw
222493	12949	" " " " Spring ..
222494	12949	Stitch Rotating Gear (lower) (for vertical shaft) with 200119F ....
200119F	12943	Stitch Rotating Gear (lower) Set Screw .....
231956	12949	Stitch Rotating Gear (upper) (for vertical shaft) with two 200125F
200125F	12939	Stitch Rotating Gear (upper) Set Screw .....
222495	12946	Stitch Rotating Gear Bracket ....
202004	12941	" " " " " Position Pin (2) .....
201058E	12941	Stitch Rotating Gear Bracket Screw (2) .....
222496	12949	Stitch Rotating Gear Bracket Shaft (intermediate) .....
222428	12949	Stitch Rotating Gear Bracket Shaft (intermediate) Gear (back or front) with 200119F .....
200119F	12943	Stitch Rotating Gear Bracket Shaft (intermediate) Gear Set Screw..
222535	---	Stitch Rotating Gear Bracket complete, Nos. 201033D, 222490, 222495, 222496, 222503, 222504, 222596, 222631 and two 222428 ..
231955	12946	Stitch Rotating Gear Shaft (vertical) .....
227224	12941	Stitch Rotating Gear Shaft (vertical) Collar with 201052c .....
201052c	12941	Stitch Rotating Gear Shaft (vertical) Collar Set Screw .....
222498	12946	Stitch Rotating Hand Lever with 200084F .....
222503	---	Stitch Rotating Hand Lever 222498 with 201035E, 222487, 222488 and 222501 .....
222499	12946	Stitch Rotating Hand Lever Handle (wood) .....
222500	12946	Stitch Rotating Hand Lever Handle Sleeve .....

No.	Plate	Name
222501	—	Stitch Rotating Hand Lever Handle Sleeve 222500 with 206134 and 222499 .....
206134	12949	Stitch Rotating Hand Lever Handle Sleeve Washer .....
200084F	12949	Stitch Rotating Hand Lever Set Screw .....
222504	12946	Stitch Rotating Hand Lever Shaft
222447	12943	" " " " " Gear .....
222596	—	Stitch Rotating Hand Lever Shaft Gear 222447 with 200119F .....
200119F	12943	Stitch Rotating Hand Lever Shaft Gear Set Screw .....
231957	12950	Stop Bracket .....
222540	12949	" " Interlocking Rod .....
222613	12949	" " " " Spring
222541	12949	" " " " Stop Block .....
200076D	12938	Stop Bracket Interlocking Rod Stop Block Screw .....
222538	12949	Stop Bracket Position Pin (2) .....
350175E	12961	" " Screw (lower) .....
350040E	12949	" " " (upper) .....
231958	—	Stop Bracket complete, Nos. 200076D, 200110D, 201216C, 201863, 222492, 222493, 222540, 222541, 222594, 222613, 231957 and 231963
222628	12949	Stop Cam with 222629 .....
222629	12949	" " Driving Stud .....
222594	12949	" " Locking Lever with 201055F .....
201216C	12949	Stop Cam Locking Lever Hinge Screw .....
201863	12949	Stop Cam Roller .....
201055F	12949	" " " Screw Stud .....
222616	12961	" " Spring .....
222655	12961	" " " Collar with two 200382C .....
200382C	12947	Stop Cam Spring Collar Set Screw
222626	12951	Tension Regulating Lever .....
200281D	12951	" " " Hinge Screw .....
202248	12951	Tension Regulating Lever Hinge Screw Spring Washer .....

No.	Plate	Name
222627	12951	Tension Regulating Plate .....
201040D	12951	" " " Hinge Screw .....
222591	12951	Tension Regulating Spring .....
201039E	12951	" " " Screw Stud .....
222588	12951	Thread Controller Spring (light) ..
200132E	12951	" " " Screw ...



## ACCESSORIES

No.	Plate	Name
231971	—	Gimp Nipple, $\frac{1}{8}$ inch .....
231975	—	“ “ $\frac{1}{4}$ inch .....
231981	12952	“ “ Holder with 200391c ..
200391c	12952	“ “ Set Screw .....
231982	12952	“ Thread Guide (lower section)
231995	12939	“ “ “ (upper section)
231997	12939	“ “ “ Pin (long) ....
231998	12939	“ “ “ “ (short) ....
231996	12939	“ “ “ Rod .....
231984	12939	“ “ “ Spring .....
665D	12939	“ “ “ “ Screw ...
231985	—	Gimp Thread Guide complete, Nos. 231982, 231984, 231995, 231996, 231998, two 231997 and four 665D
231903	—	Nipple (plain cording), for No. 3 needle .....
231905	—	Nipple (plain cording), for No. 5 needle .....
231907	12952	Nipple (plain cording), for No. 7 needle .....
231909	—	Nipple (plain cording), for No. 9 needle .....
231911	—	Nipple (plain cording), for No. 11 needle .....
231967	12952	Nipple Holder, for plain cording nipple .....
231889	—	Nipple (three thread, $\frac{3}{8}$ inch) ....
231891	—	“ “ “ $\frac{1}{2}$ inch) ....
222516	12952	“ Wrench .....
222529	—	Presser Foot Shoe (rubber) (6) ..
*225482	—	Screw Driver Blade .....
*225483	—	“ “ Handle .....
225497	12469	Screw Driver complete, Nos. 225482 and 225483 .....
222520	12952	Spool Winder Spindle .....
222521	12469	“ “ “ Washer .....
222518	12469	Thread Knife .....
222519	12950	Threader Wire .....
231968	12950	Threading Chain, 15 $\frac{1}{2}$ in. long ....
120341	12469	Tweezers (curved) .....
137 x1	—	Needles, eleven, five, size 3, one each sizes 4 to 9 .....
201219e	12469	Bed Clamping Thumb Screw (2) ..
231704	12469	Cord Spool (6) .....

No.	Plate	Name
41564	12469	Machine Rest Pin (wood) .....
120342	12469	Oiler (copper plated) with 120343
120343	12469	“ Spout, 3 $\frac{1}{2}$ in. long .....
26346	12950	Pliers .....
*225484	—	Screw Driver Blade .....
*225485	—	“ “ Handle .....
225498	12469	Screw Driver complete (7 $\frac{1}{2}$ in. long), Nos. 225484 and 225485 ..
231925	12947	Spool (metal) (12) .....
222523	12950	“ (wood) (6) .....

## PARTS FOR VARIOUS CLASSES OF WORK

### FOR THREE THREAD CORDING

231987	12939	Covering Thread Guide (lower sec- tion) .....
231995	12939	Covering Thread Guide (upper sec- tion) .....
231997	12939	Covering Thread Guide Pin (long)
231998	12939	“ “ “ “ (short)
231996	12939	“ “ “ Rod .....
231984	12939	“ “ “ Spring .....
665D	12939	“ “ “ “ Screw
231988	—	Covering Thread Guide complete, Nos. 231984, 231987, 231995, 231996, 231998, two 231997 and four 665D .....
231887	12952	Nipple (three thread, $\frac{3}{8}$ inch) ....
231889	—	“ “ “ $\frac{1}{2}$ inch) ....
231891	—	“ “ “ $\frac{5}{8}$ inch) ....

### FOR TWO THREAD CORDING

231988	—	Covering Thread Guide complete, Nos. 231984, 231987, 231995, 231996, 231998, two 231997 and four 665D .....
231903	—	Nipple (plain cording), for No. 3 needle .....

No.	Plate	Name
231904	---	Nipple (plain cording), for No. 4 needle .....
231905	---	Nipple (plain cording), for No. 5 needle .....
231906	---	Nipple (plain cording), for No. 6 needle .....
231907	12952	Nipple (plain cording), for No. 7 needle .....
231908	---	Nipple (plain cording), for No. 8 needle .....
231909	---	Nipple (plain cording), for No. 9 needle .....
231910	---	Nipple (plain cording), for No. 10 needle .....
231911	---	Nipple (plain cording), for No. 11 needle .....
231912	---	Nipple (plain cording), for No. 12 needle .....
231967	12952	Nipple Holder, for plain cording nipples .....

## FOR GIMP EMBROIDERY

231969	---	Gimp Nipple, $\frac{1}{32}$ inch .....
231971	---	" " $\frac{1}{16}$ inch .....
231973	12952	" " $\frac{3}{32}$ inch .....
231975	---	" " $\frac{1}{4}$ inch .....
231977	---	" " $\frac{5}{32}$ inch .....
231981	12952	" " Holder with 200391c ..
200391c	12952	" " Set Screw .....
231982	12952	" Thread Guide (lower section)
231995	12939	" " (upper section)
231997	12939	" " " Pin (long) ....
231998	12939	" " " " (short) ....
231996	12939	" " " Rod .....
231984	12939	" " " Spring .....
665D	12939	" " " " Screw ...
231985	---	Gimp Thread Guide complete, Nos. 231982, 231984, 231995, 231996, 231998, two 231997 and four 665D
231918	12945	Presser Foot with 231961 to be used for long stitch .....
231961	---	Presser Foot Shoe (rubber) .....

## FOR FEATHER STITCHING

231988	---	Covering Thread Guide complete, Nos. 231984, 231987, 231995, 231996, 231998, two 231997 and four 665D .....
--------	-----	---

No.	Plate	Name
231969	---	Nipple, $\frac{1}{32}$ inch .....
231971	---	" " $\frac{1}{16}$ inch .....
231973	12952	" " $\frac{3}{32}$ inch .....
231975	---	" " $\frac{1}{4}$ inch .....
231977	---	" " $\frac{5}{32}$ inch .....
231981	12952	" Holder with 200391c .....
200391c	12952	" Set Screw .....
231918	12945	Presser Foot with 231961 to be used for long stitch .....
231961	---	Presser Foot Shoe (rubber) .....

## BRAIDING

243019	12952	Braid Guide Post .....
243020	12952	" " Spring .....
231981	12952	Nipple Holder with 200391c .....
200391c	12952	" Set Screw .....

## Guides for Stitching Through the Center of Soutache Braid

243041	---	Braid Guide, $\frac{1}{16}$ inch .....
243042	---	" " $\frac{5}{32}$ inch .....
243043	---	" " $\frac{3}{8}$ inch .....
243044	---	" " $\frac{7}{8}$ inch .....
243045	12952	" " $\frac{1}{4}$ inch .....
243046	---	" " $\frac{2}{3}$ inch .....
243047	---	" " $\frac{3}{8}$ inch .....
243048	---	" " $\frac{1}{4}$ inch .....
243049	---	" " $\frac{1}{16}$ inch .....

## Guides for Stitching on the Edge of Soutache Braid

243055	---	Braid Guide, $\frac{3}{8}$ inch .....
243056	---	" " $\frac{1}{8}$ inch .....
243057	---	" " $\frac{5}{8}$ inch .....
243058	12952	" " $\frac{3}{8}$ inch .....
243059	---	" " $\frac{7}{8}$ inch .....
243060	---	" " $\frac{1}{4}$ inch .....
243061	---	" " $\frac{3}{4}$ inch .....
243062	---	" " $\frac{5}{8}$ inch .....

## Guides for Stitching Through the Center of Thin Flat Braid

243003	---	Braid Guide, $\frac{1}{16}$ inch .....
243004	---	" " $\frac{5}{32}$ inch .....
243005	---	" " $\frac{3}{8}$ inch .....
243006	---	" " $\frac{7}{8}$ inch .....

No.	Plate	Name
243007	12952	Braid Guide, $\frac{1}{8}$ inch .....
243008	—	“ “ $\frac{3}{16}$ inch .....
243009	—	“ “ $\frac{1}{2}$ inch .....
243010	—	“ “ $\frac{5}{8}$ inch .....
243011	—	“ “ $\frac{7}{8}$ inch .....
243012	—	“ “ $\frac{1}{2}$ inch .....
243013	—	“ “ $\frac{3}{8}$ inch .....

## Guides for Stitching on Round Braid

243066	—	Braid Guide, $\frac{1}{8}$ inch .....
243067	—	“ “ $\frac{1}{16}$ inch .....
243068	—	“ “ $\frac{5}{16}$ inch .....
243069	—	“ “ $\frac{3}{8}$ inch .....
243070	—	“ “ $\frac{7}{8}$ inch .....
243071	12952	“ “ $\frac{1}{8}$ inch .....
243072	—	“ “ $\frac{5}{16}$ inch .....
243073	—	“ “ $\frac{3}{8}$ inch .....

## IMITATION TWO-NEEDLE CORDING

231990	12952	Braid Leader (lower section) ....
231995	12939	“ “ (upper section) .....
231997	12939	“ “ Pin (long) .....
231998	12939	“ “ “ (short) .....
231996	12939	“ “ Rod .....
231984	12939	“ “ Spring .....
665D	12939	“ “ “ Screw .....
231991	—	Braid Leader complete, Nos. 231990, 231995, 231996, 231998, two each 231984, 231997 and four 665D ..
243023	—	Nipple, $\frac{3}{8}$ inch .....
243024	—	“ $\frac{7}{8}$ inch .....
243025	—	“ $\frac{1}{2}$ inch .....
243026	—	“ $\frac{5}{8}$ inch .....
243027	—	“ $\frac{3}{4}$ inch .....
243028	—	“ $\frac{1}{4}$ inch .....
243029	12952	“ $\frac{3}{8}$ inch .....
243030	—	“ $\frac{1}{2}$ inch .....
243031	—	“ $\frac{5}{8}$ inch .....
243032	—	“ $\frac{3}{4}$ inch .....
243033	—	“ $\frac{1}{4}$ inch .....
243034	—	“ $\frac{1}{2}$ inch .....
243035	—	“ $\frac{3}{8}$ inch .....
231981	12952	“ Holder with 200391c .....
200391c	12952	“ Set Screw .....
231918	12945	Presser Foot with 231961 .....
231961	—	“ “ Shoe (rubber) .....

## SPOOL WINDING OUTFIT

No.	Plate	Name
231993	—	Spool Rack .....
231992	—	“ Winder .....
231994	—	Skein Unwinder .....

## OBSOLETE PARTS

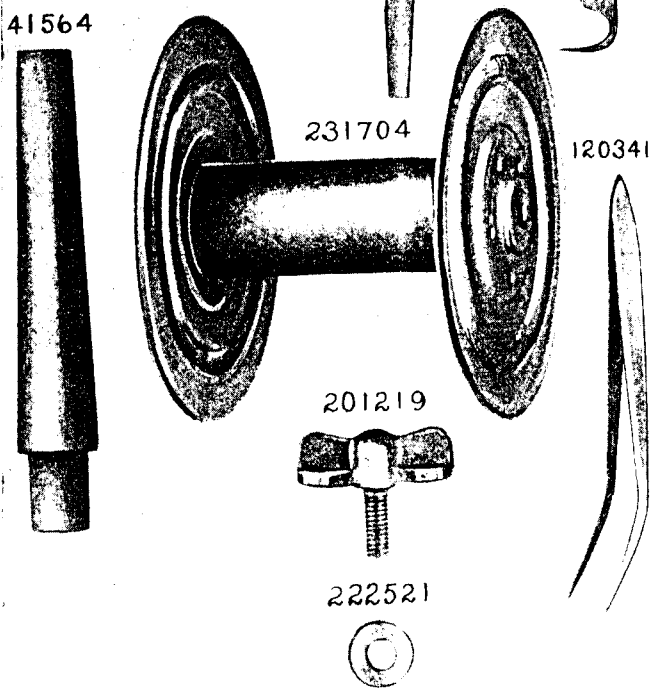
231735	12945	Feed Lever .....
222426	12941	“ Recovering Spring (left) ....
222427	12941	“ “ “ (right) ...
222584	12951	Presser Foot Slide Bar Spring
231827	12951	“ “ “ “ “
		Plunger .....
350078D	12945	Presser Foot Slide Bar Thumb Screw (pressure regulating) ....
231809	12945	Presser Foot Slide Bell Crank Hinge Stud .....
231930	12947	Spool Carrier Disengaging Lever with 201945 and 350098c .....
222509	12949	Stop Cam Driving Stud .....

PLATE 12469—ONE-HALF SIZE

120342    225497 225498    222518



120343



41564

231704

120341

201219

222521

PLATE 12937—ONE-HALF SIZE

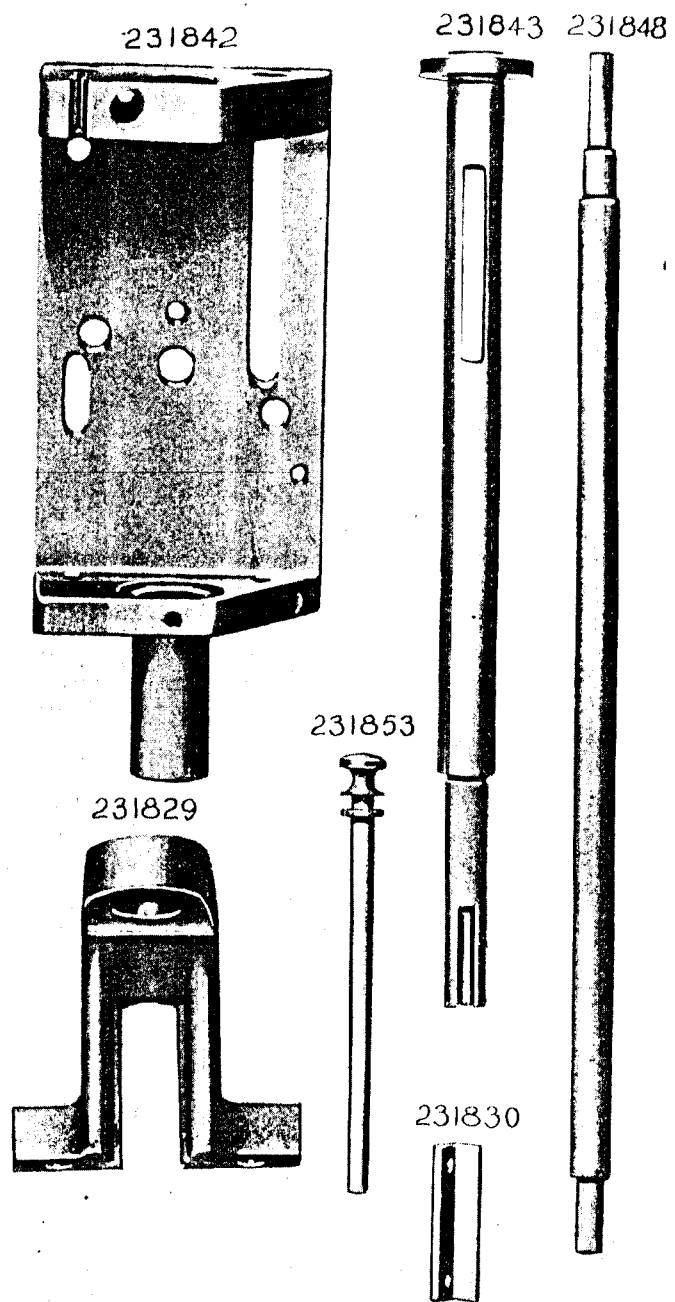


PLATE 12938—FULL SIZE

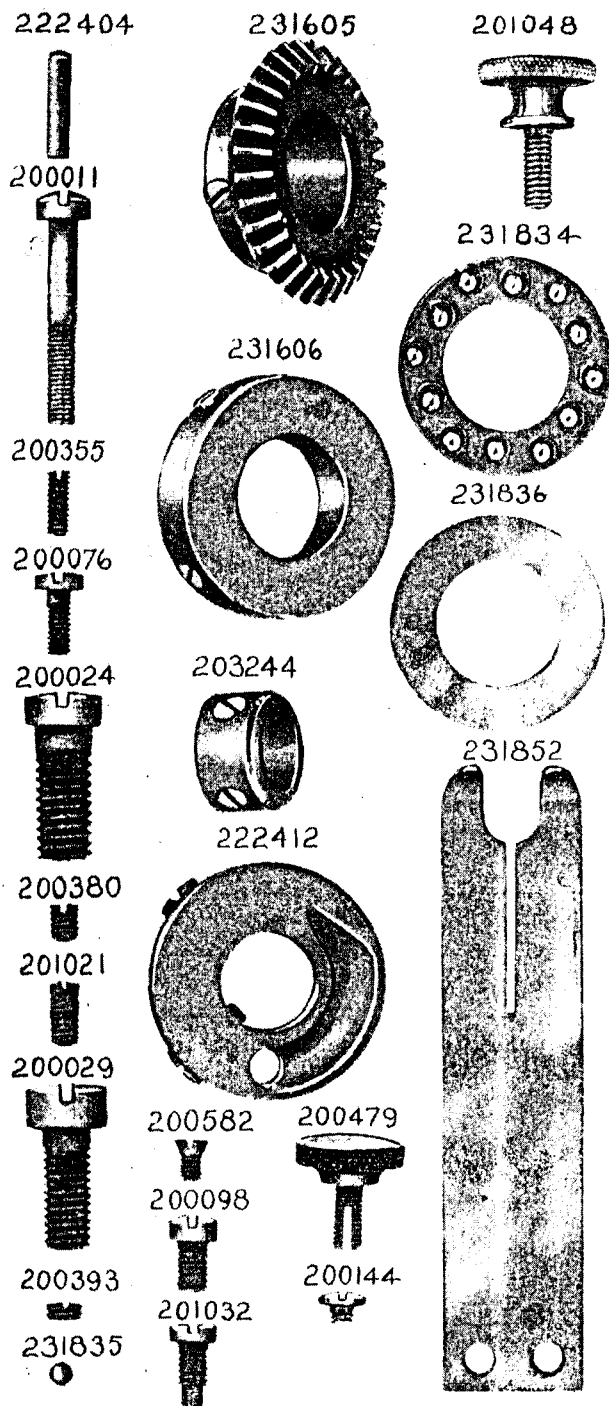


PLATE 12939—FULL SIZE

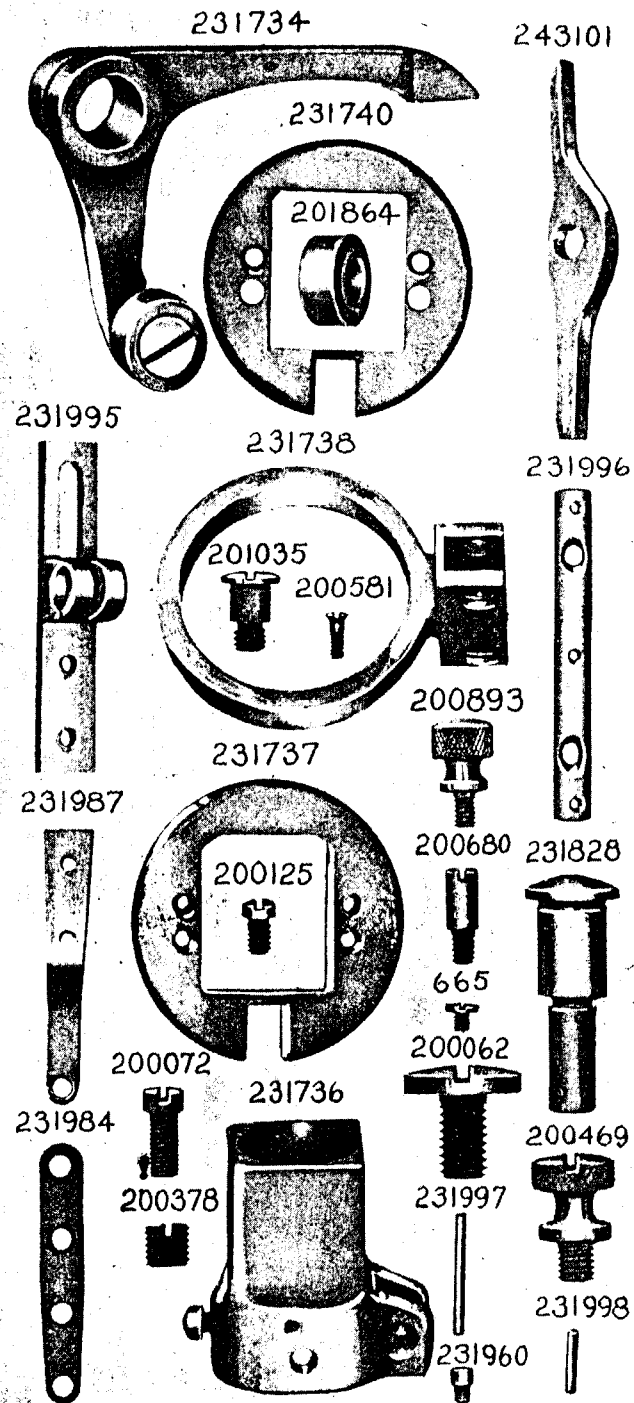


PLATE 12940—ONE-HALF SIZE

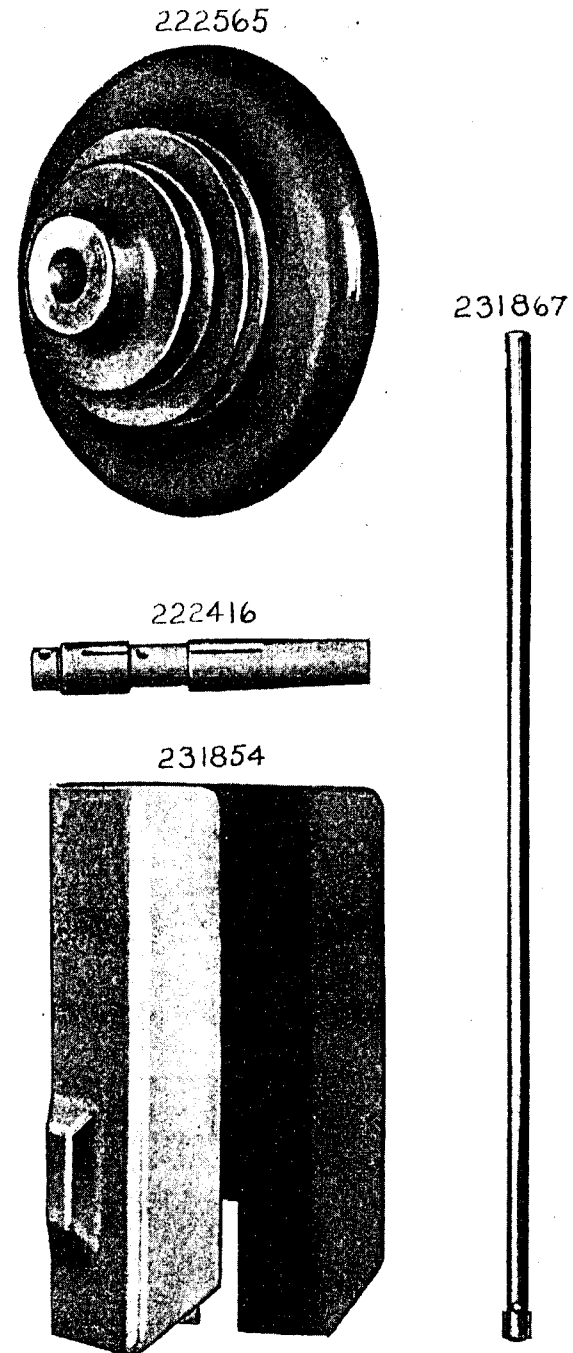


PLATE 12941—FULL SIZE

222426 222427 201051 200692 231865  
243102 243103

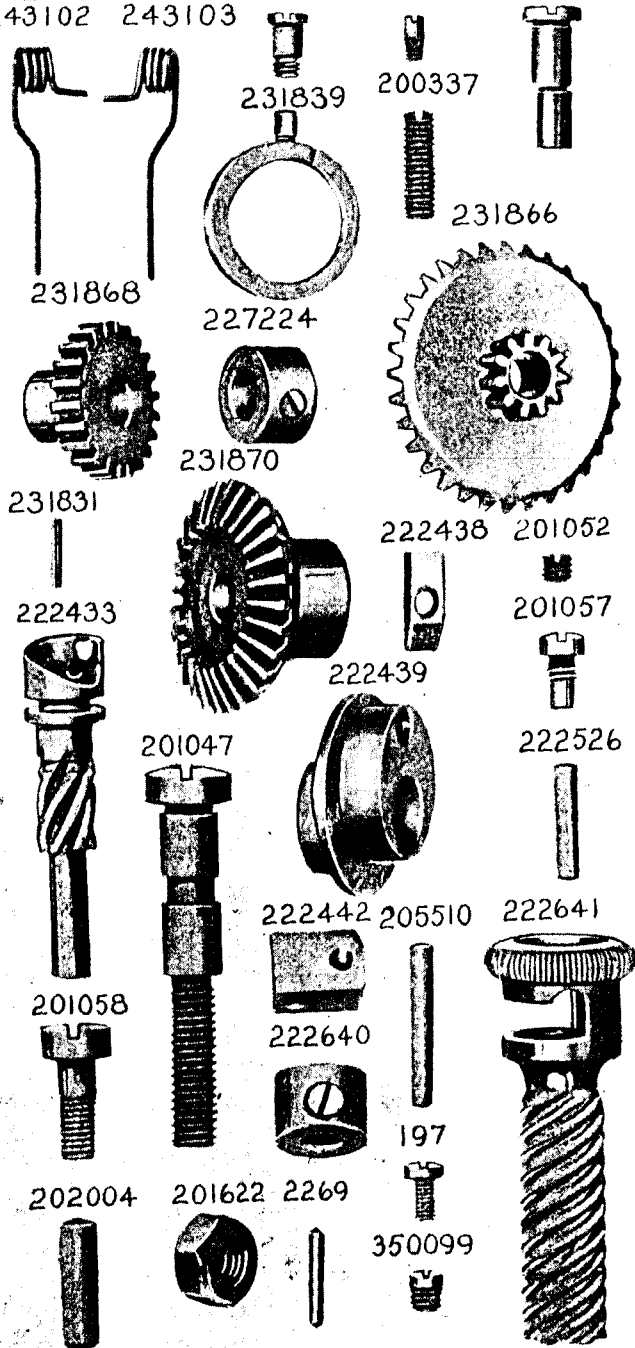


PLATE 12942—ONE-HALF SIZE

222644 222436 231874

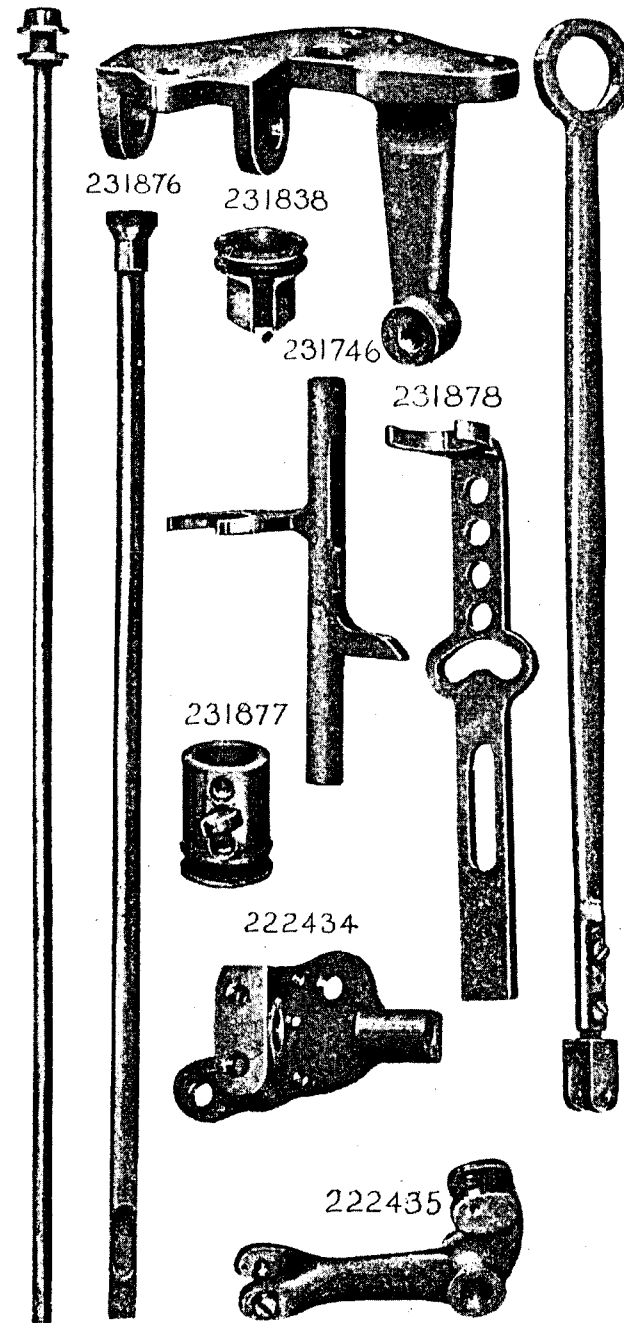


PLATE 12943—FULL SIZE

222643 222445 200099 231879 350041

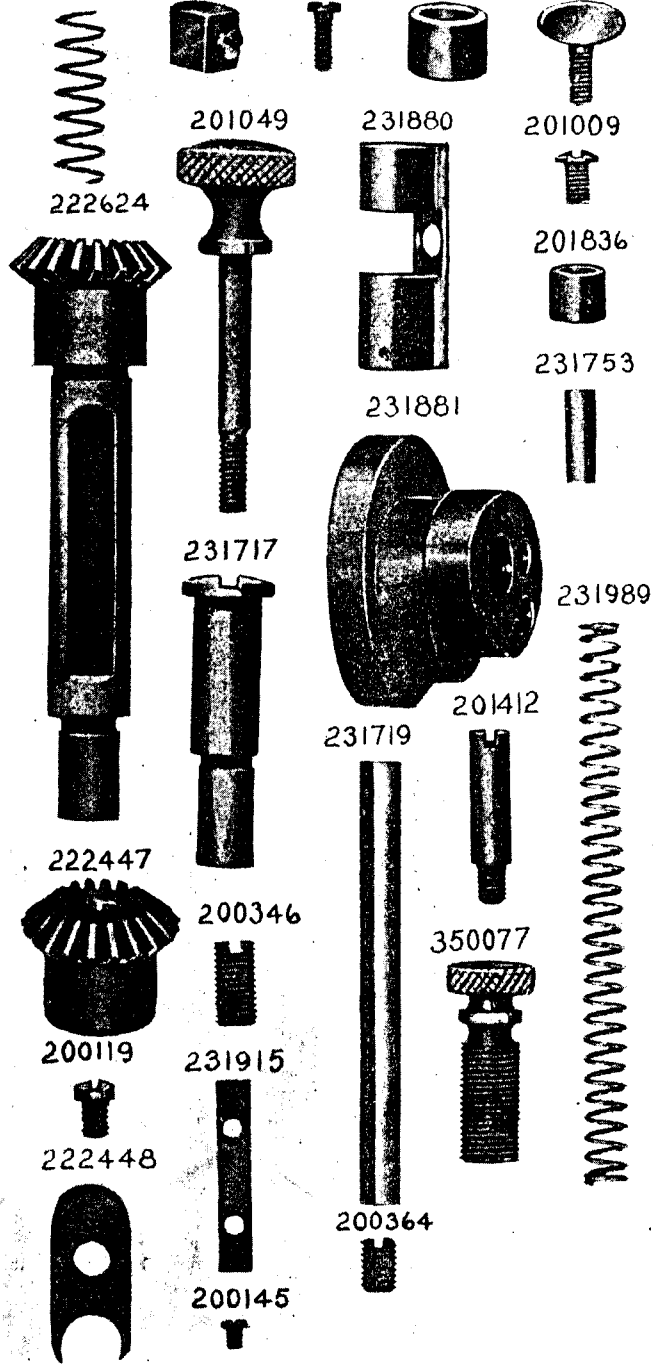


PLATE 12944—ONE-HALF SIZE

222574.

243113

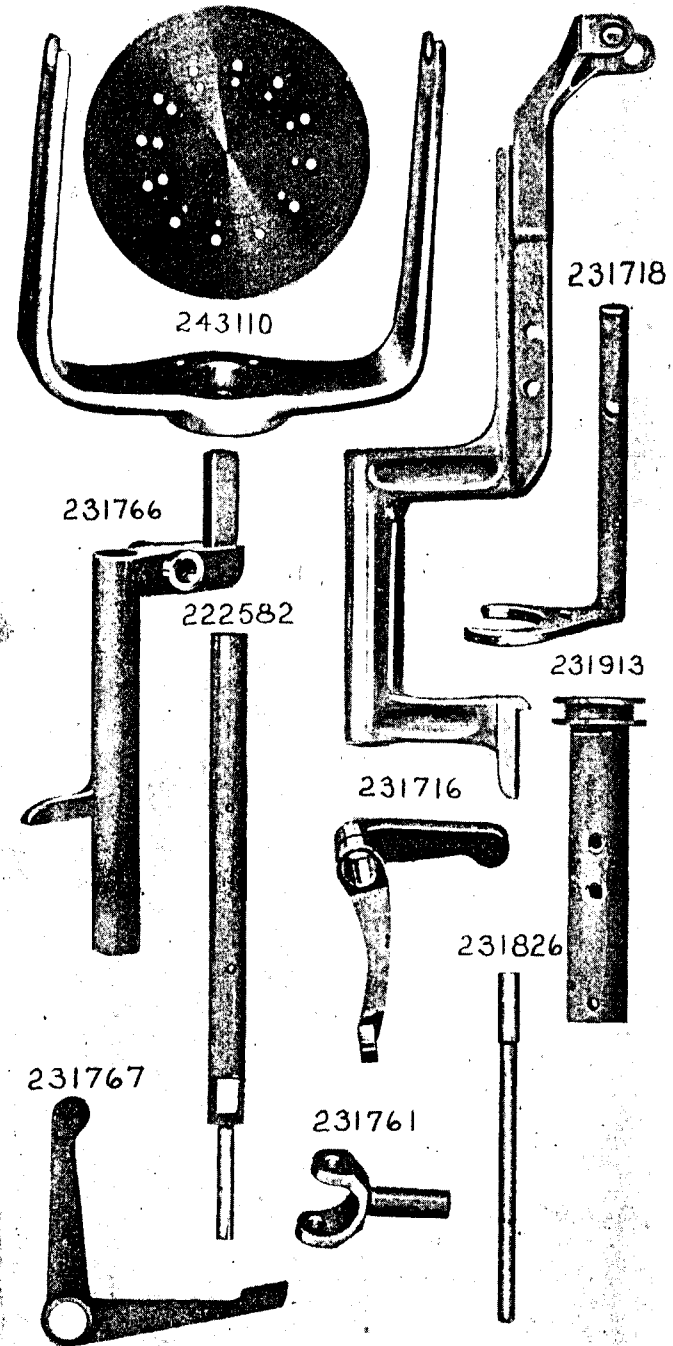




PLATE 12945—FULL SIZE

243106

231765



231735



222586 231918



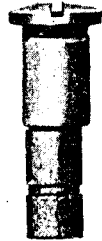
243105



350078  
350127



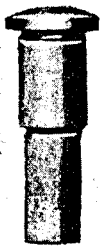
243107



231762



231809



200047



201191



201074



243108



200086



201185



200362



231763



200900 231928

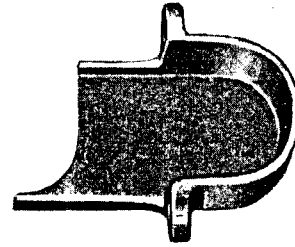


231764



PLATE 12946—ONE-HALF SIZE

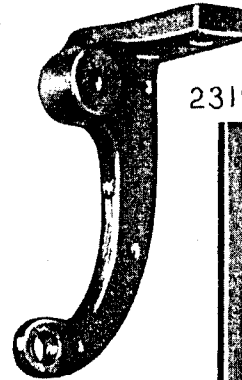
231946



222495



222485



222498



231963



231955



222499



222631



222500 222504



PLATE 12947—FULL SIZE

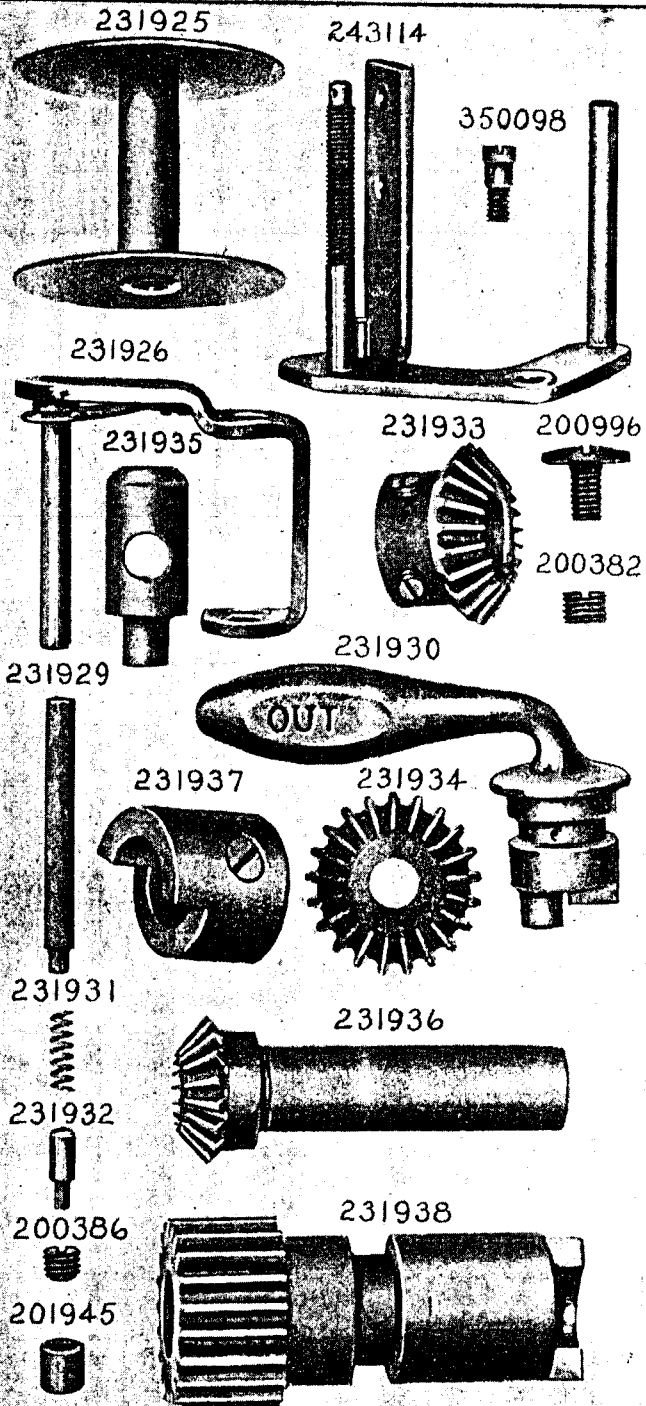


PLATE 12948—FULL SIZE

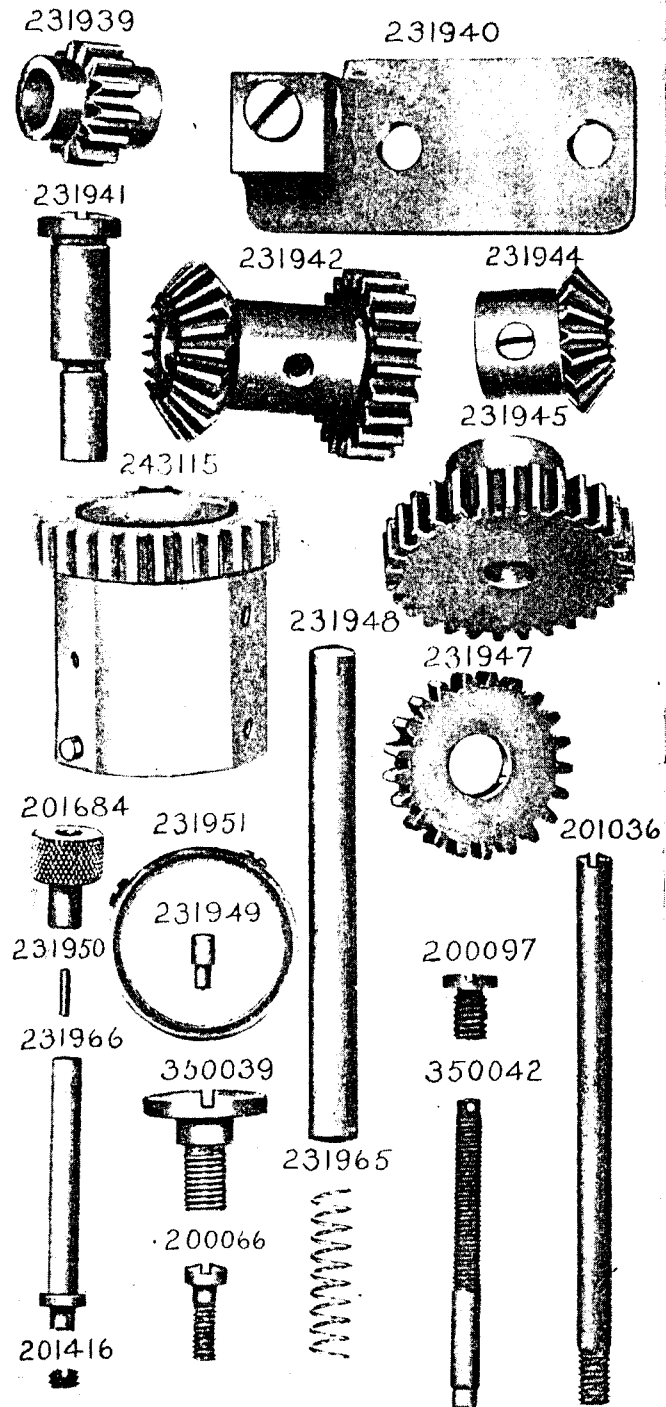


PLATE 12949—FULL SIZE

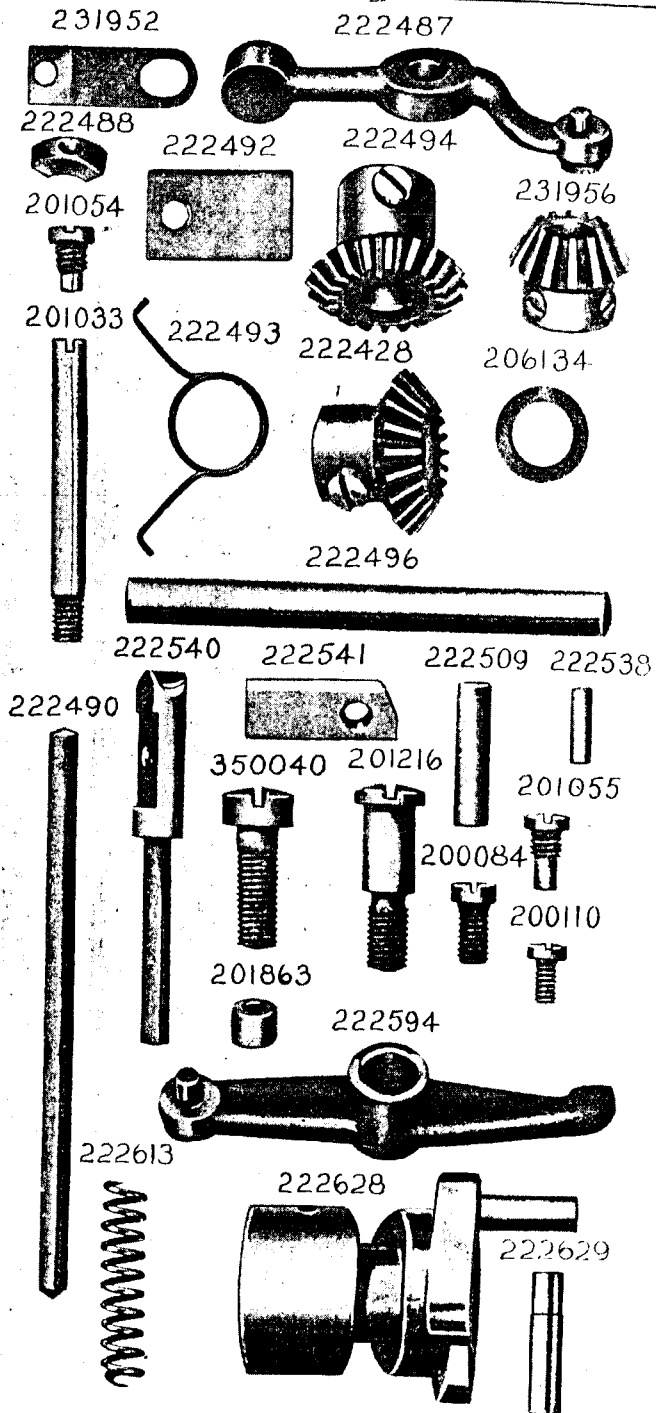


PLATE 12950—ONE-HALF SIZE

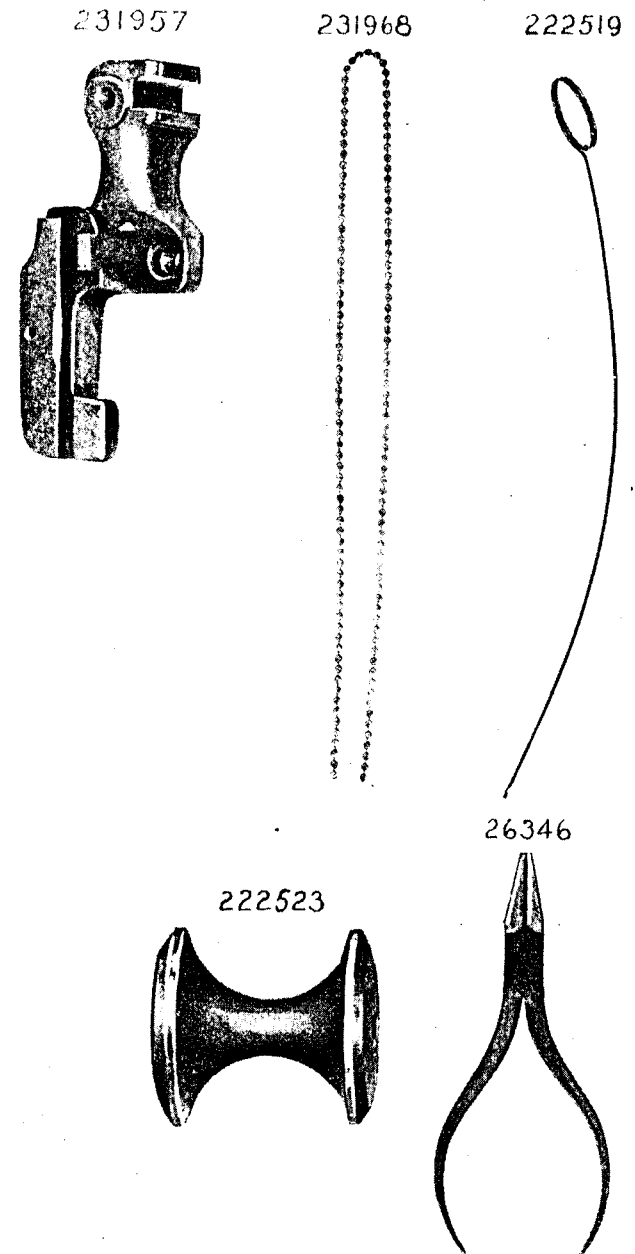


PLATE 12951—FULL SIZE

231827

222627

222626

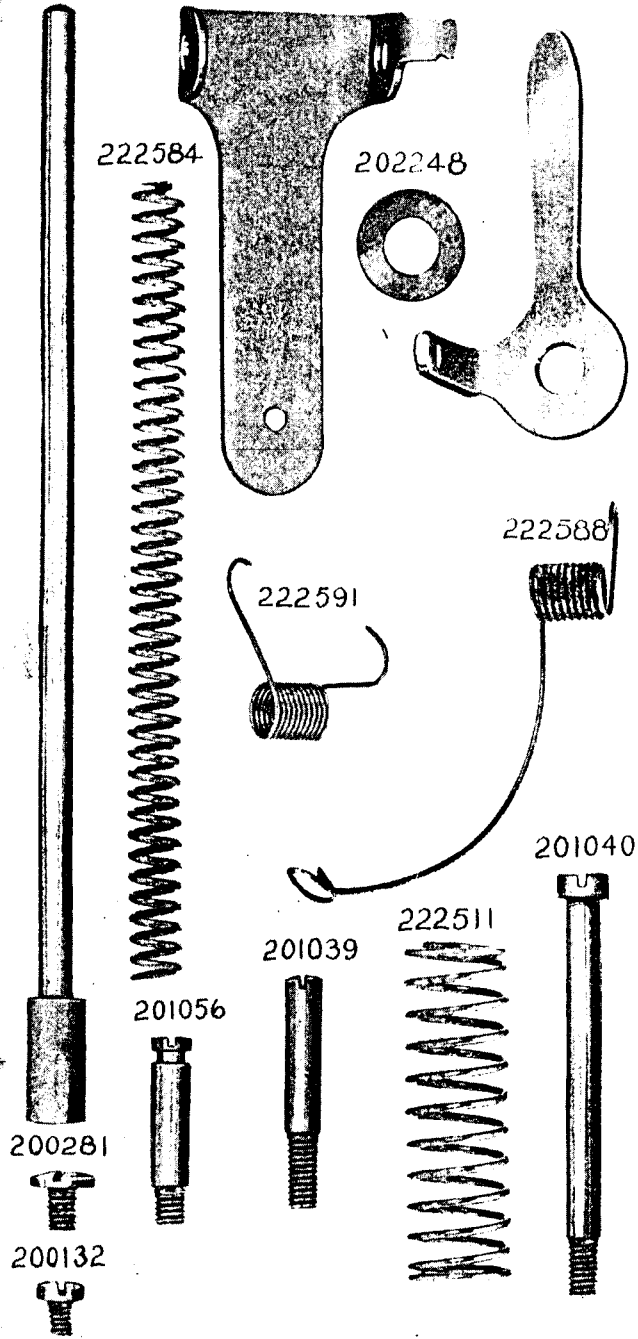


PLATE 12952—FULL SIZE

200391

231907

222516

231967

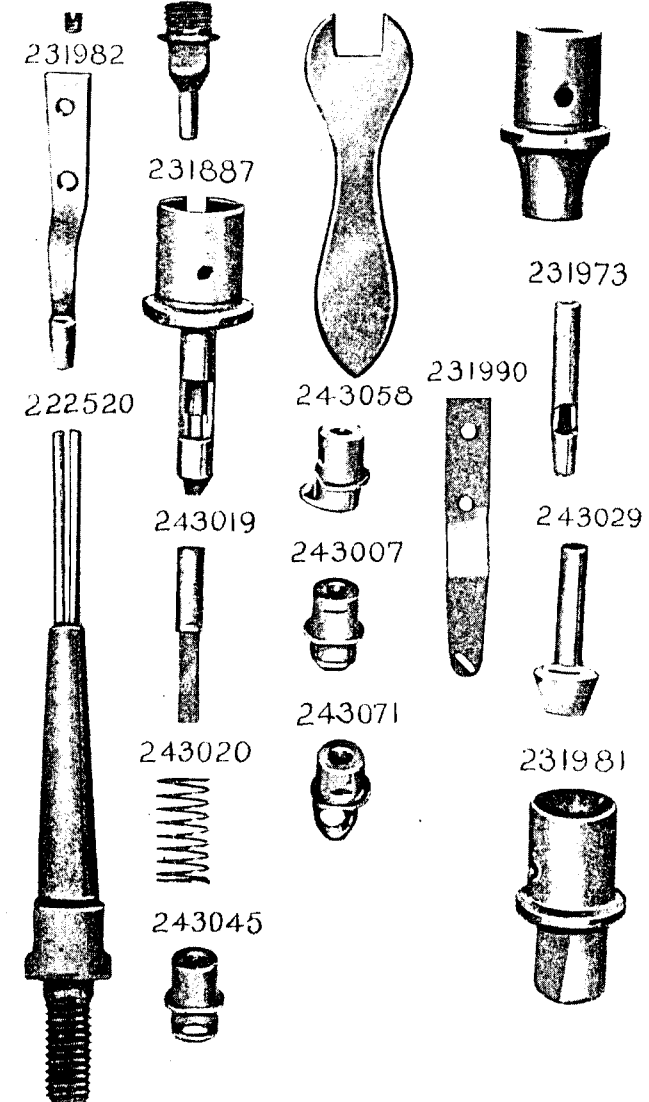


PLATE 12961—FULL SIZE

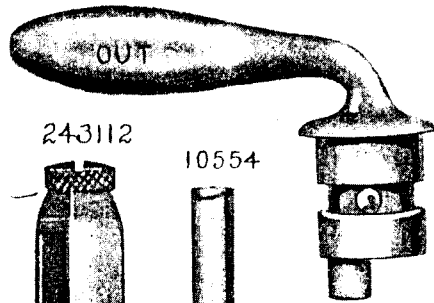
222616



200854



243111



243112



10554



201215



350175



200055



201387



222655

