

SINGER
135W1

Form 2677w

(141)

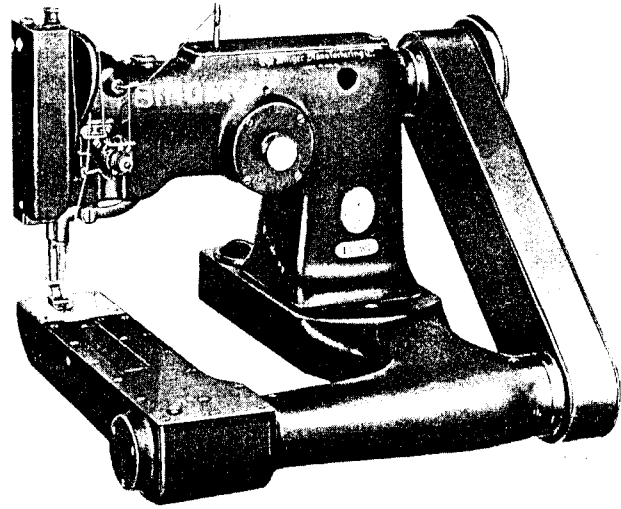
Printed in U. S. A.

SINGER

135w1

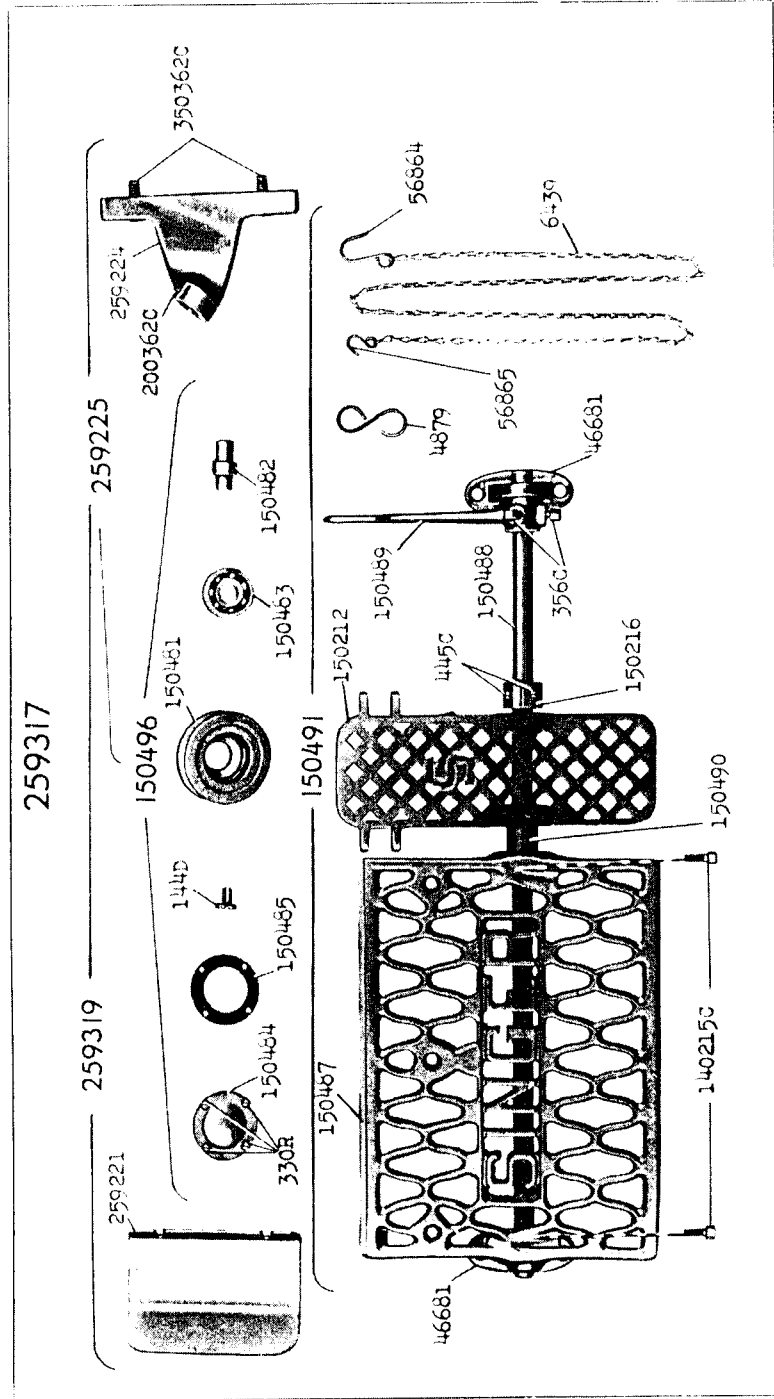


THE SINGER MANUFACTURING COMPANY

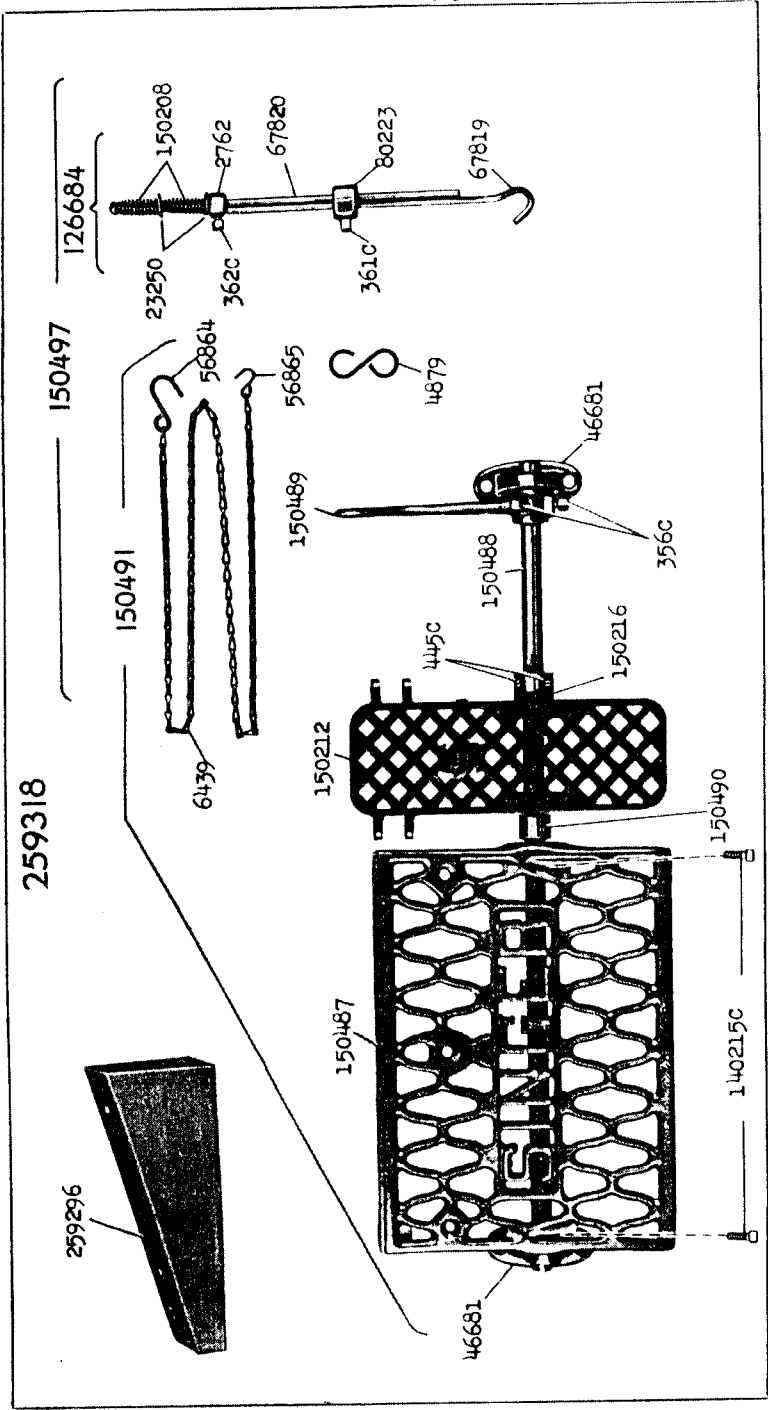


Copyright, U. S. A., 1938, 1939, 1940 and 1941
 by The Singer Manufacturing Co.
 All Rights Reserved for all Countries

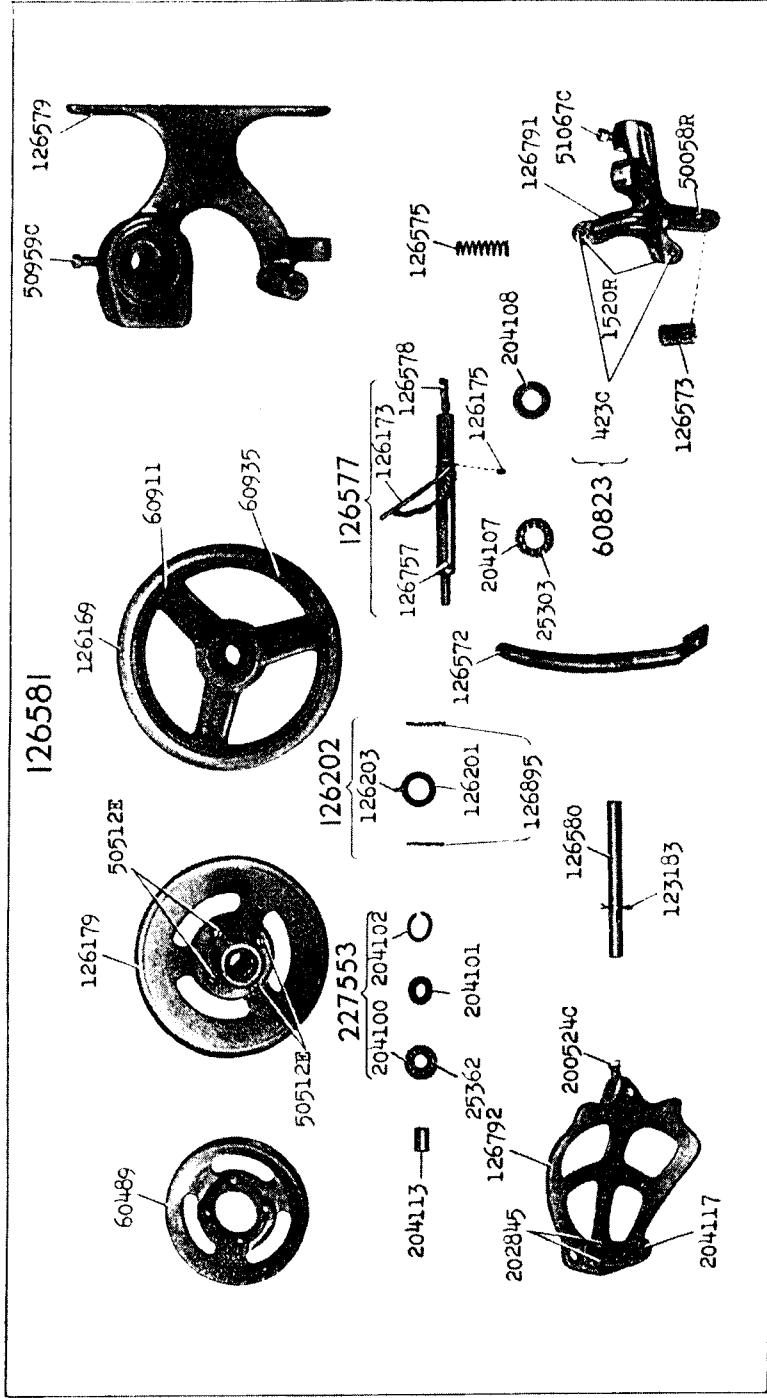
15851 - 1/6



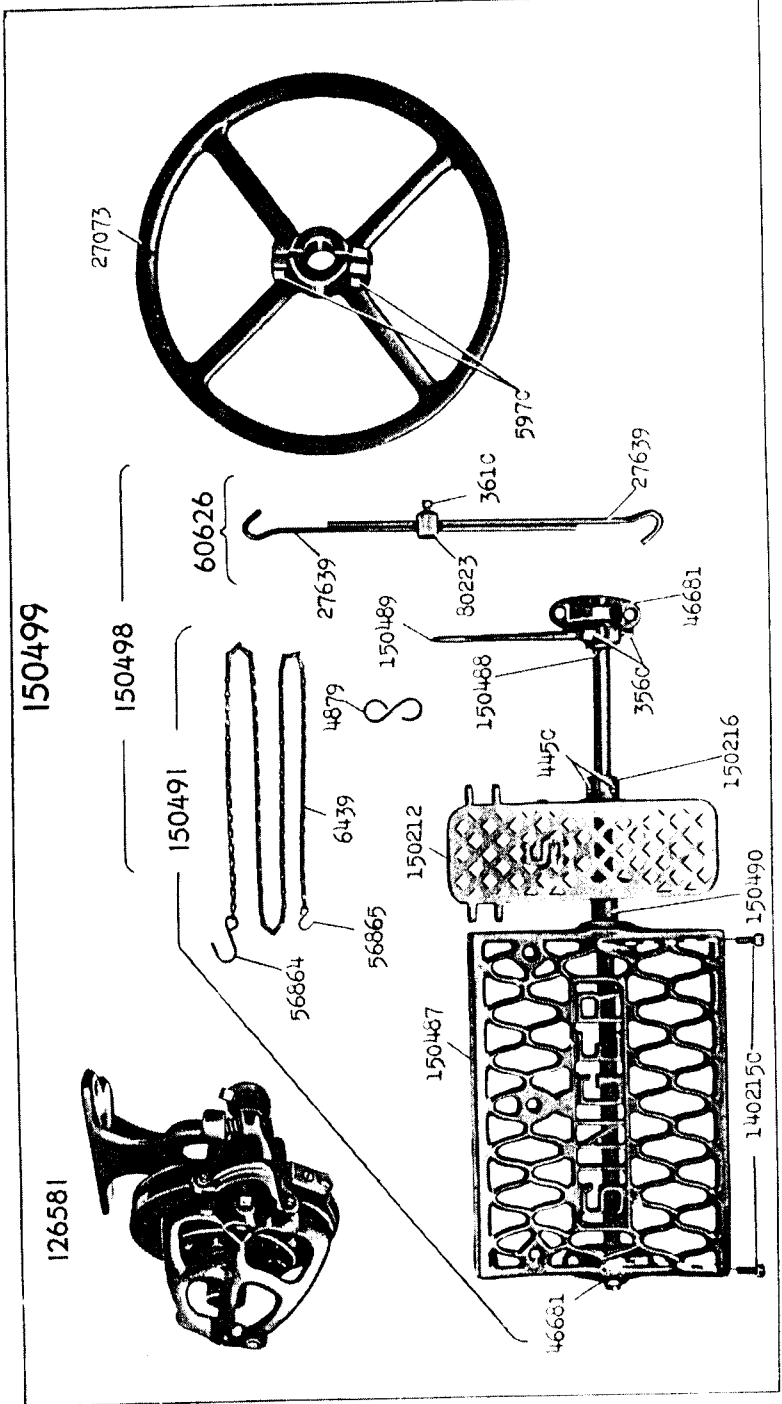
15852 - 1/6



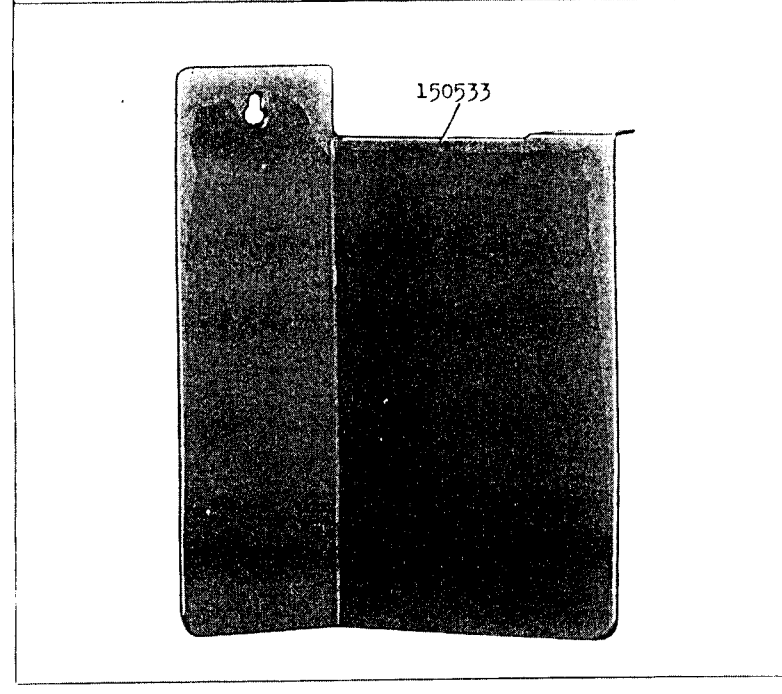
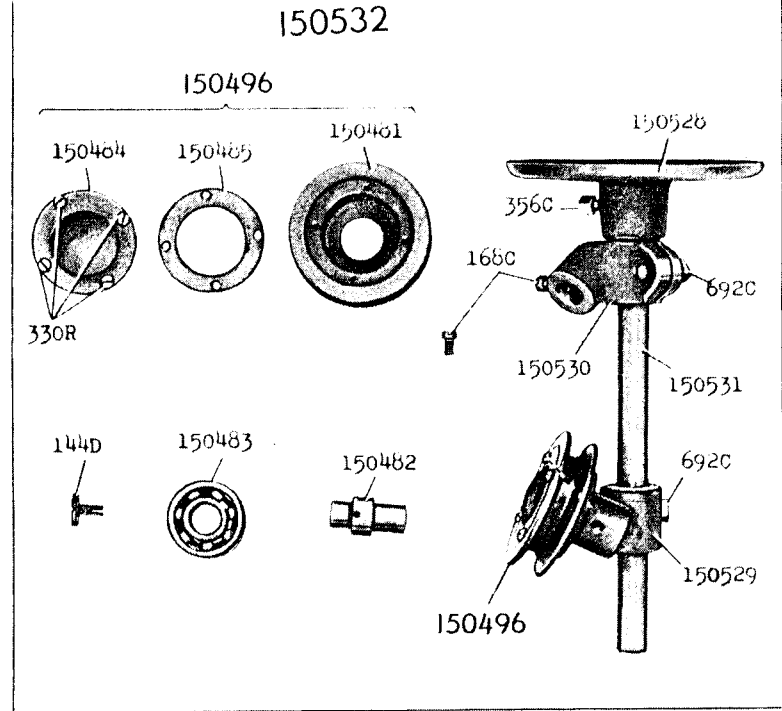
15853 - 1/6



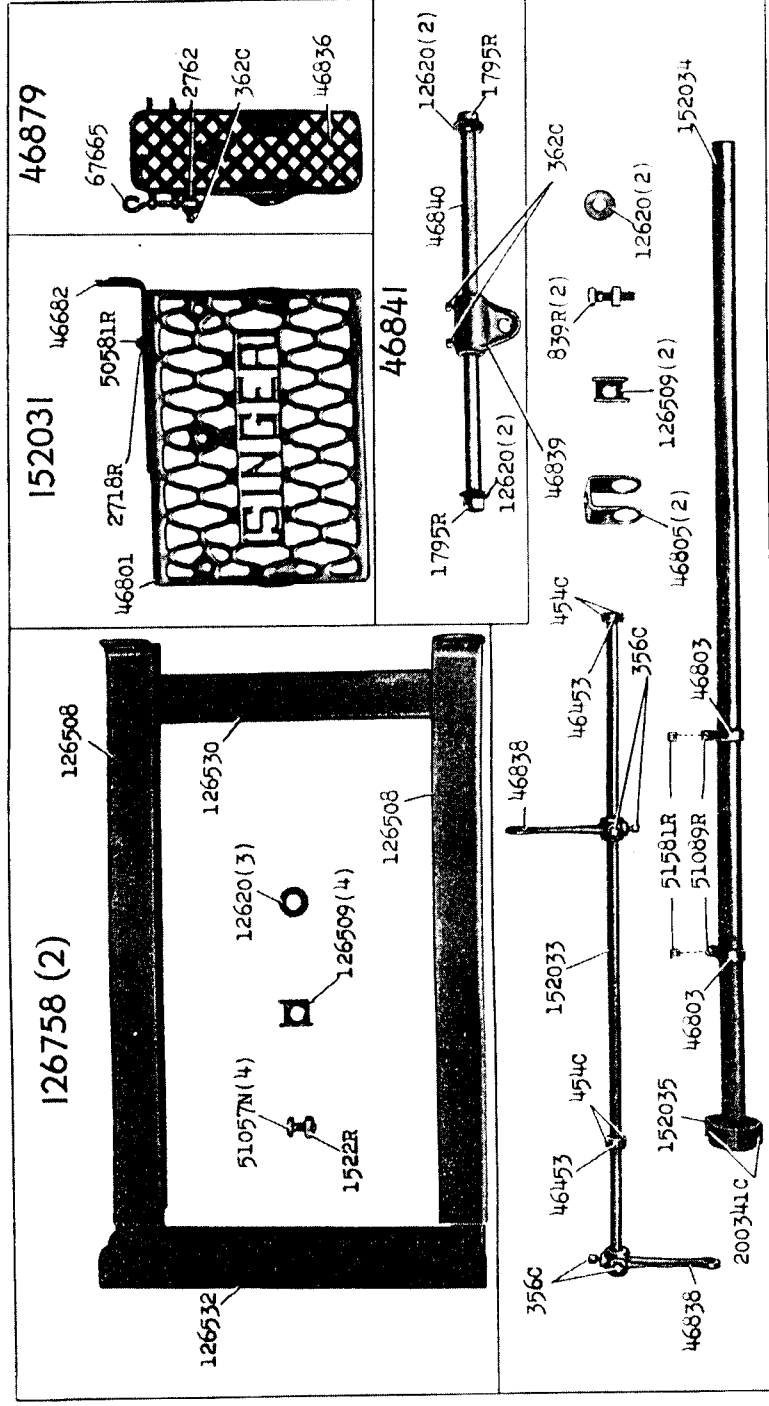
15854 - 1/7



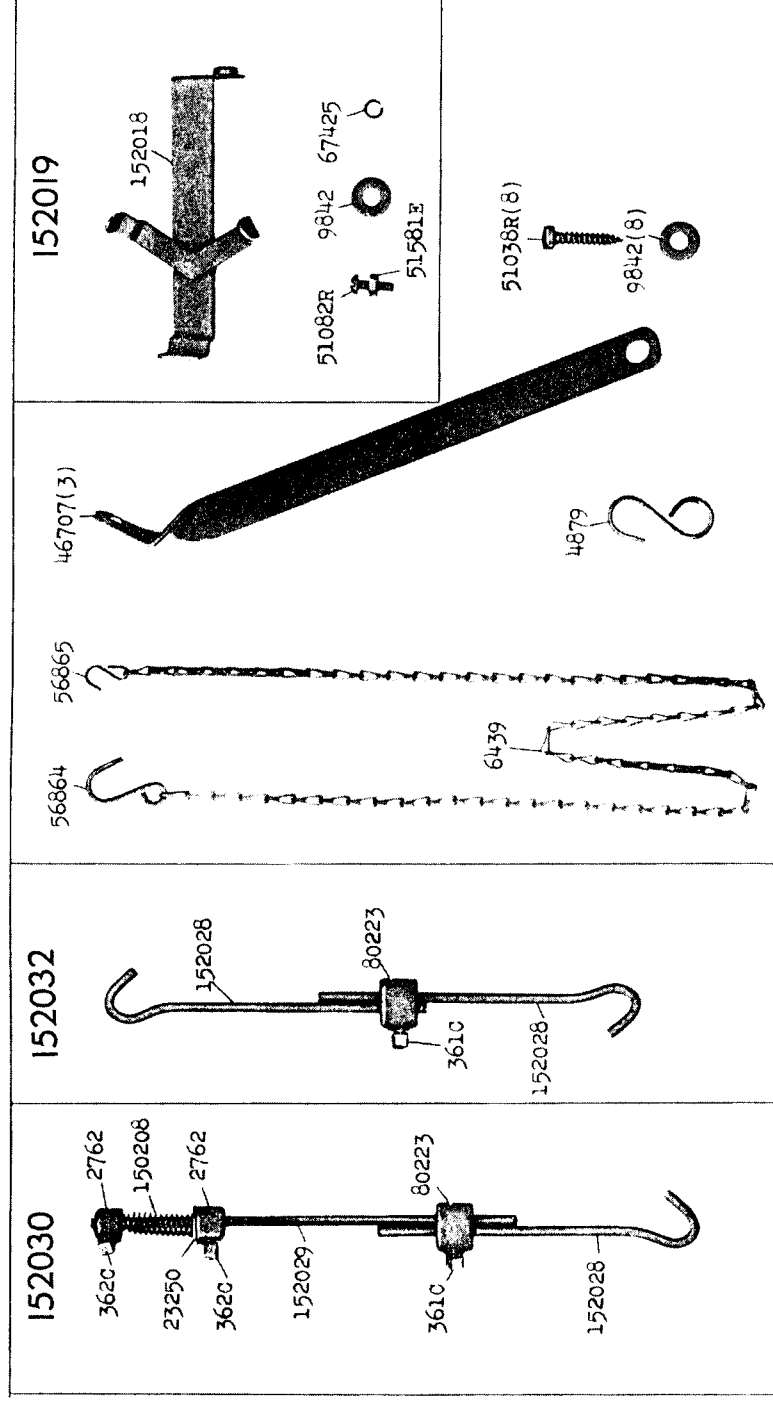
15855 - 1/4



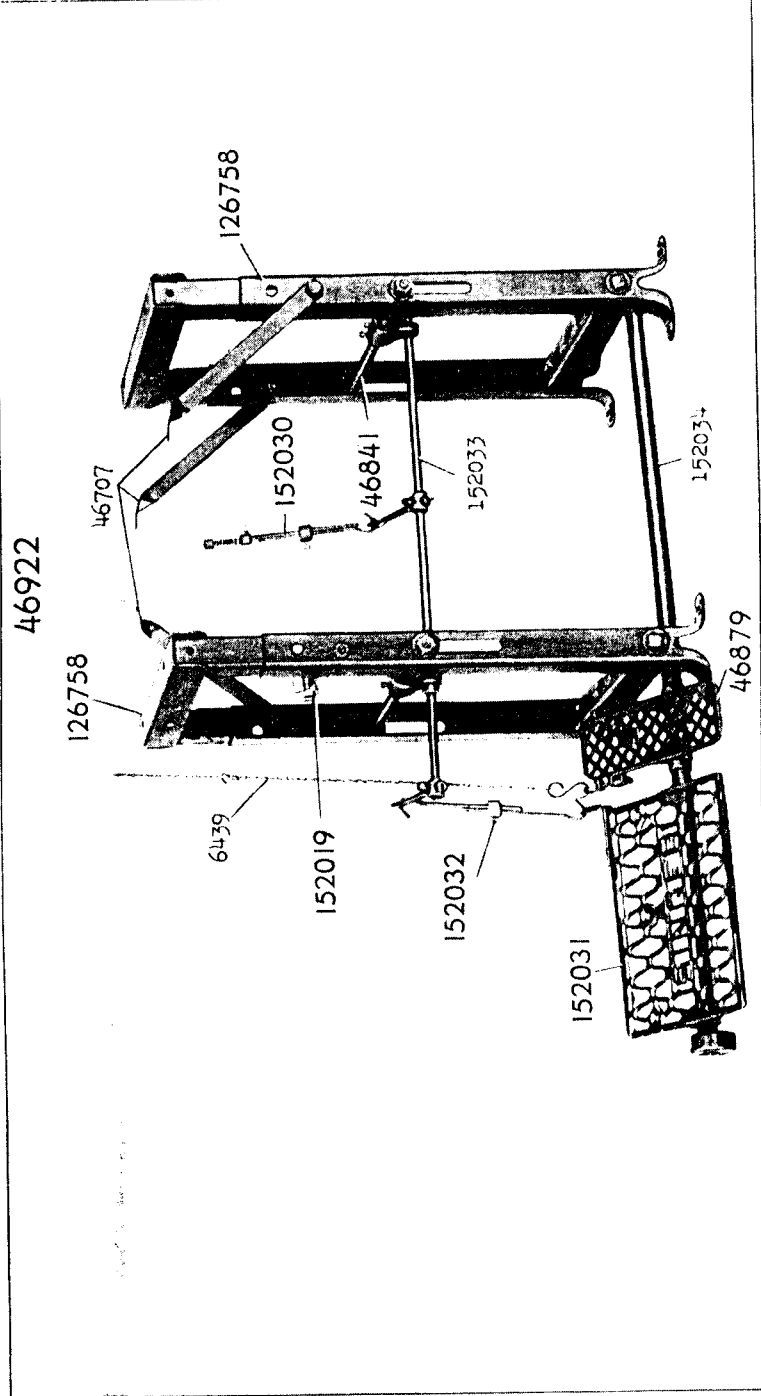
15856 - 1/8



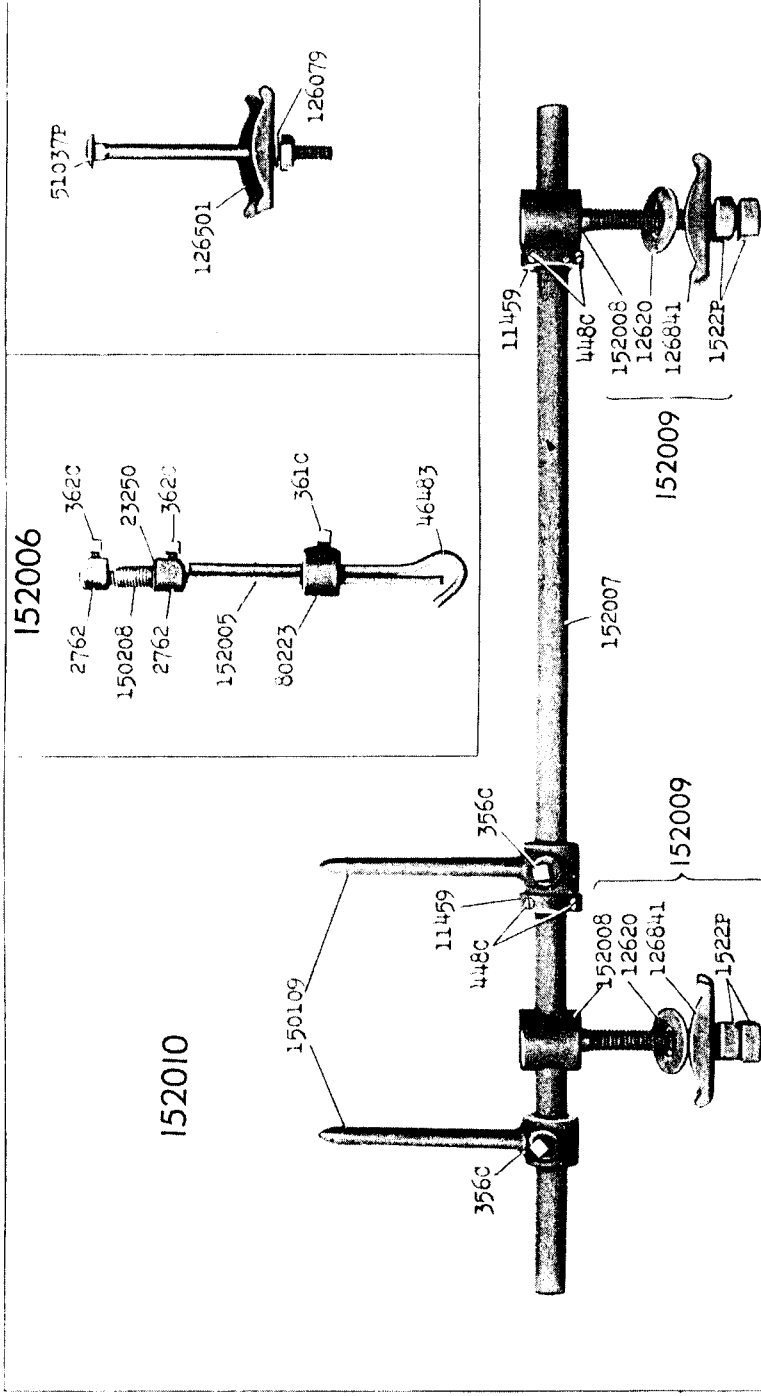
15857 - 1/4



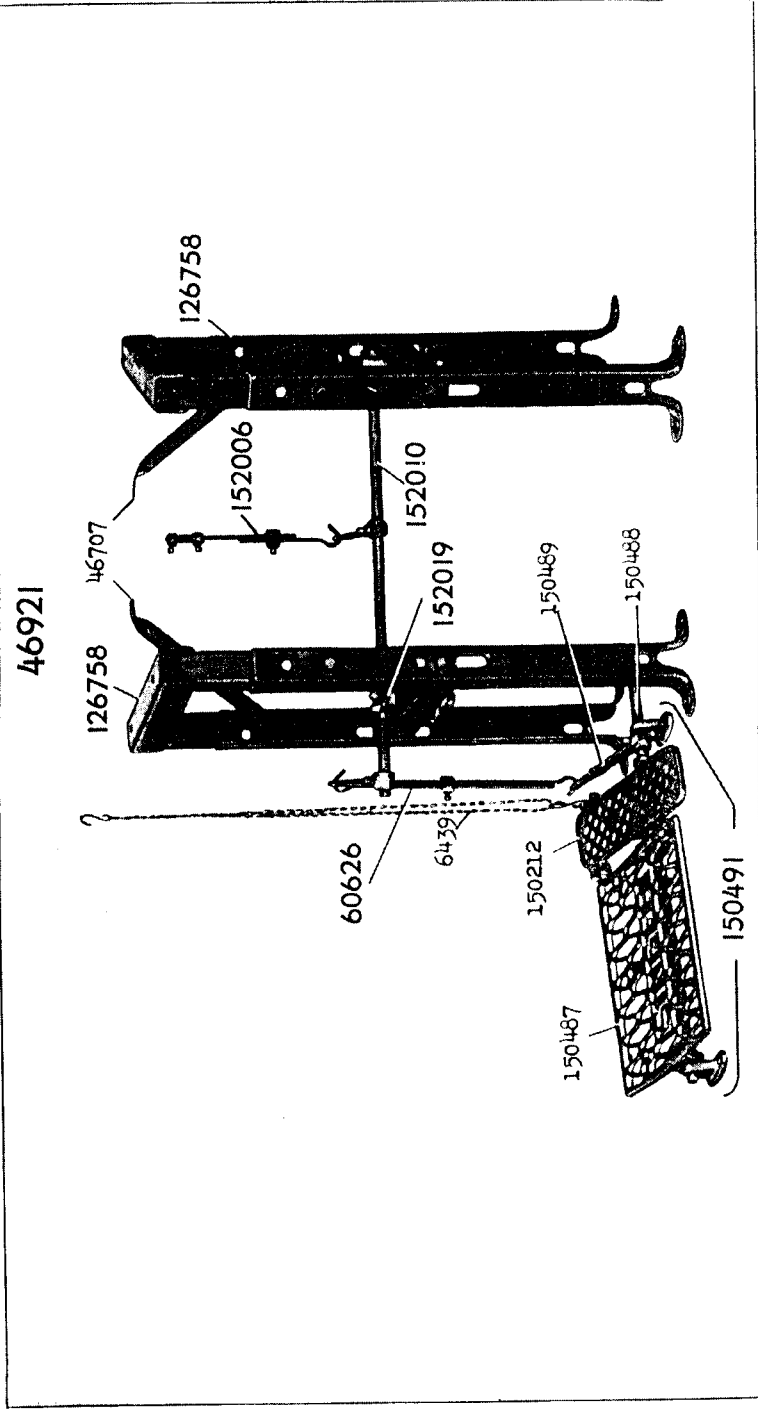
15858 - 1/10



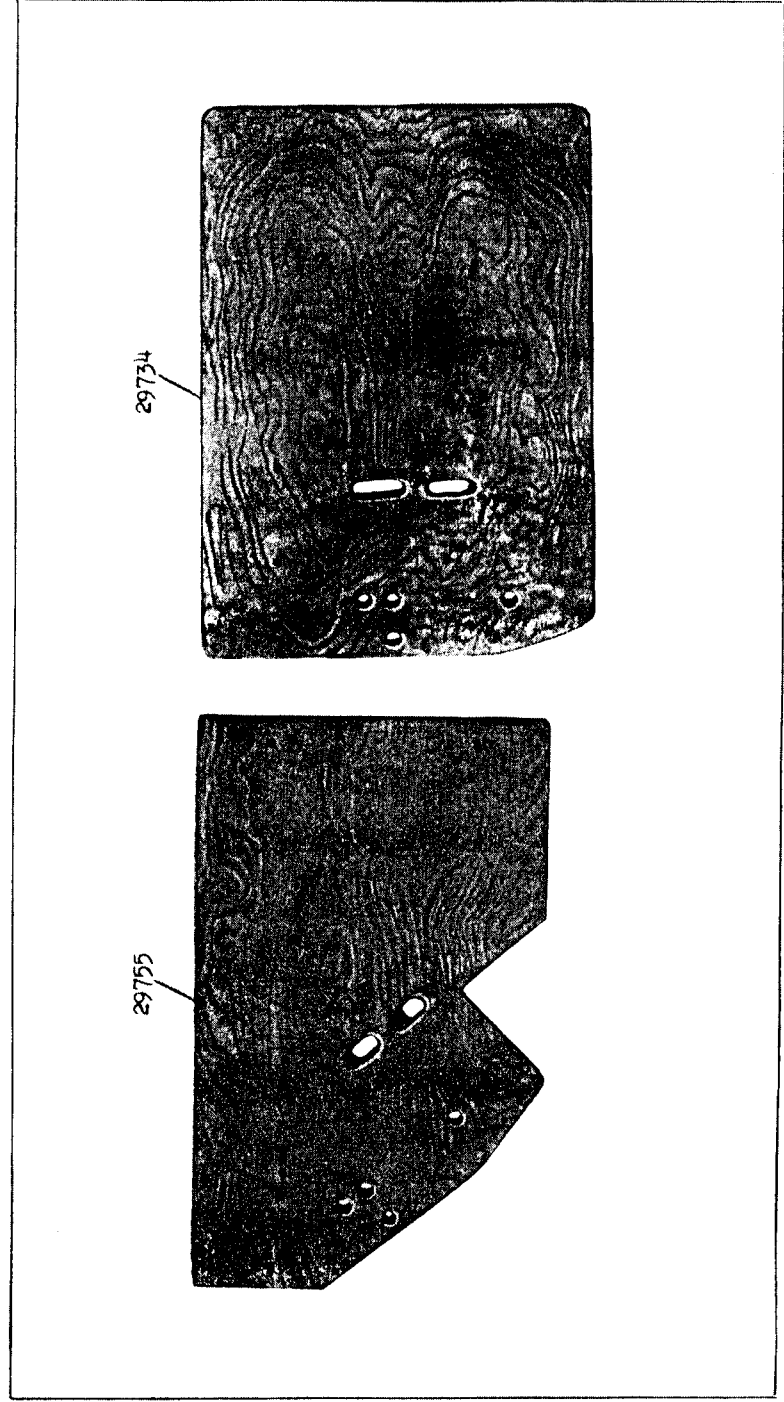
15859 - 1/4



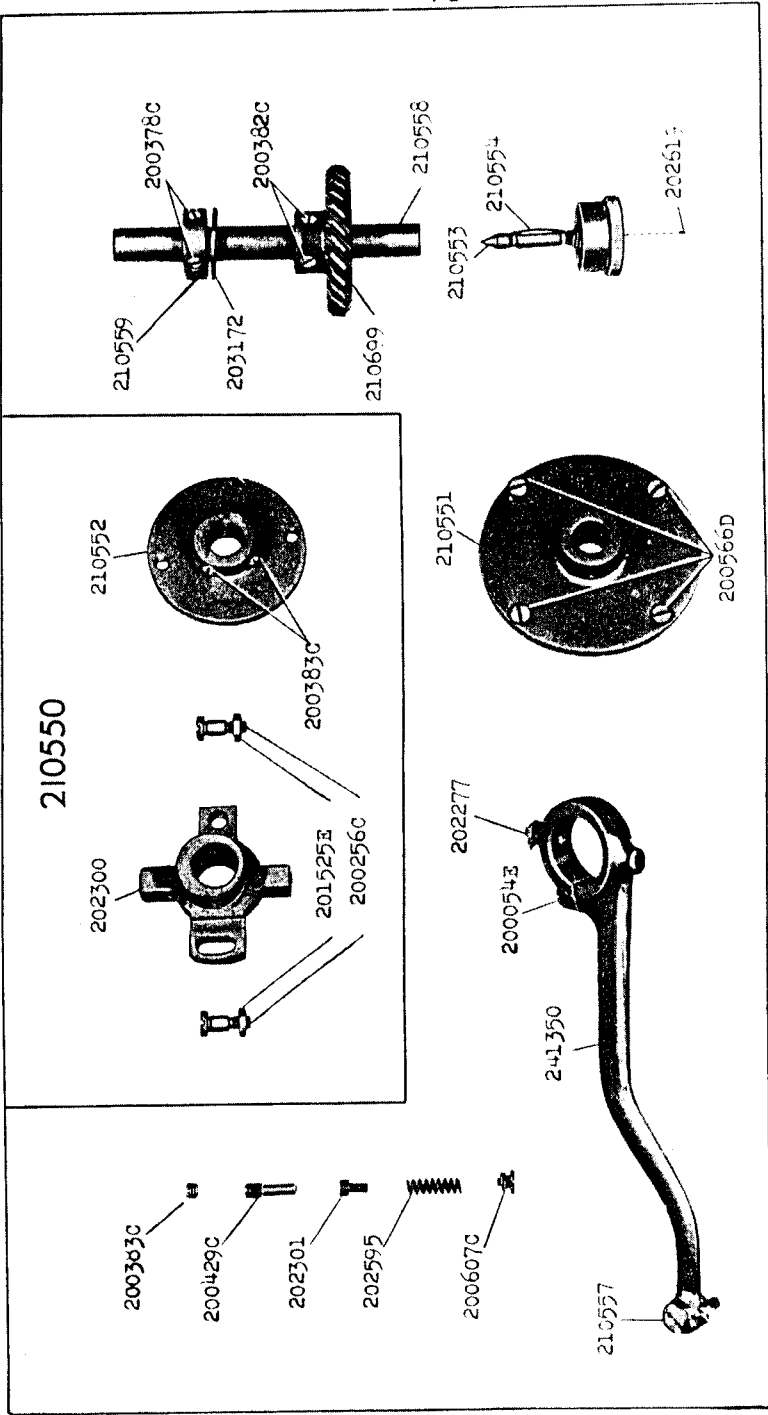
15860 - 1/10



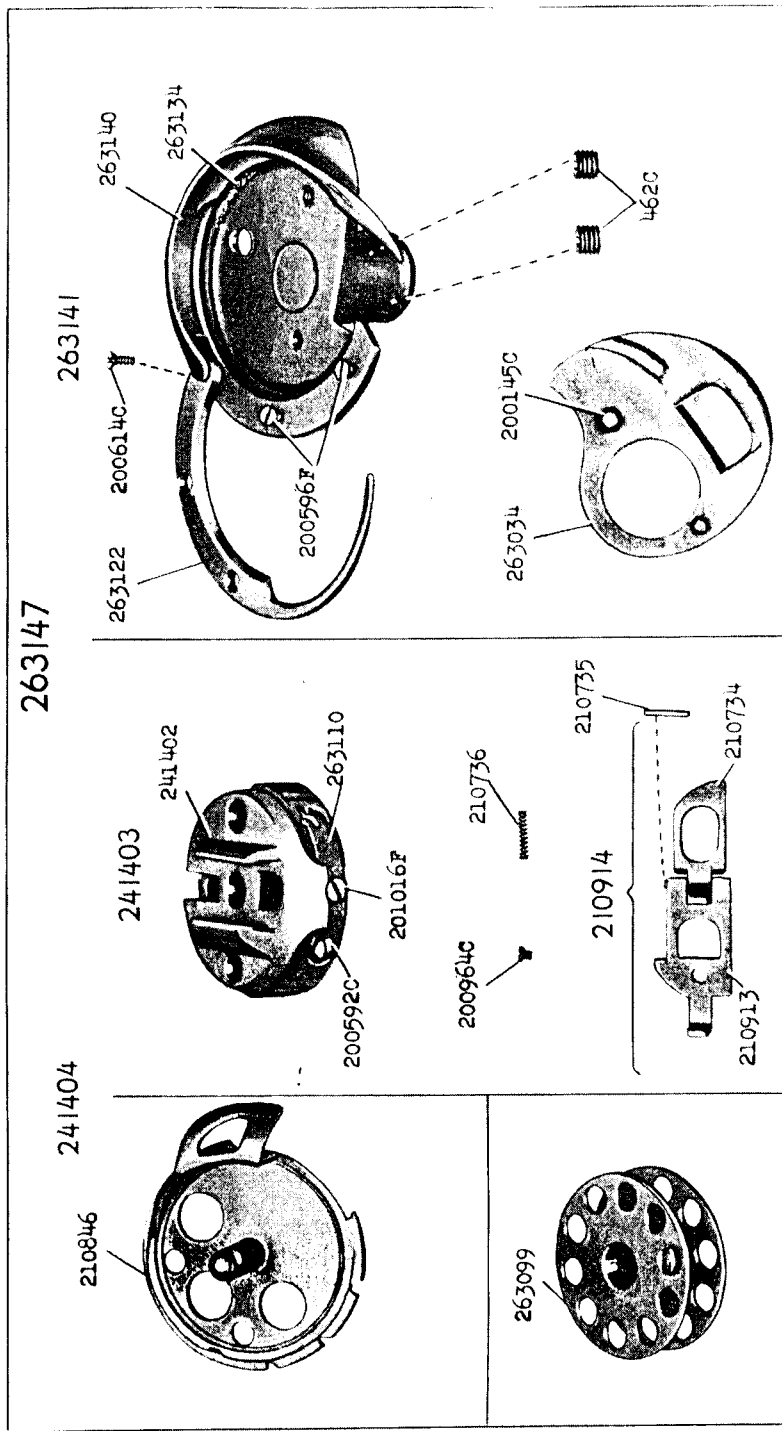
15873 - 1/10



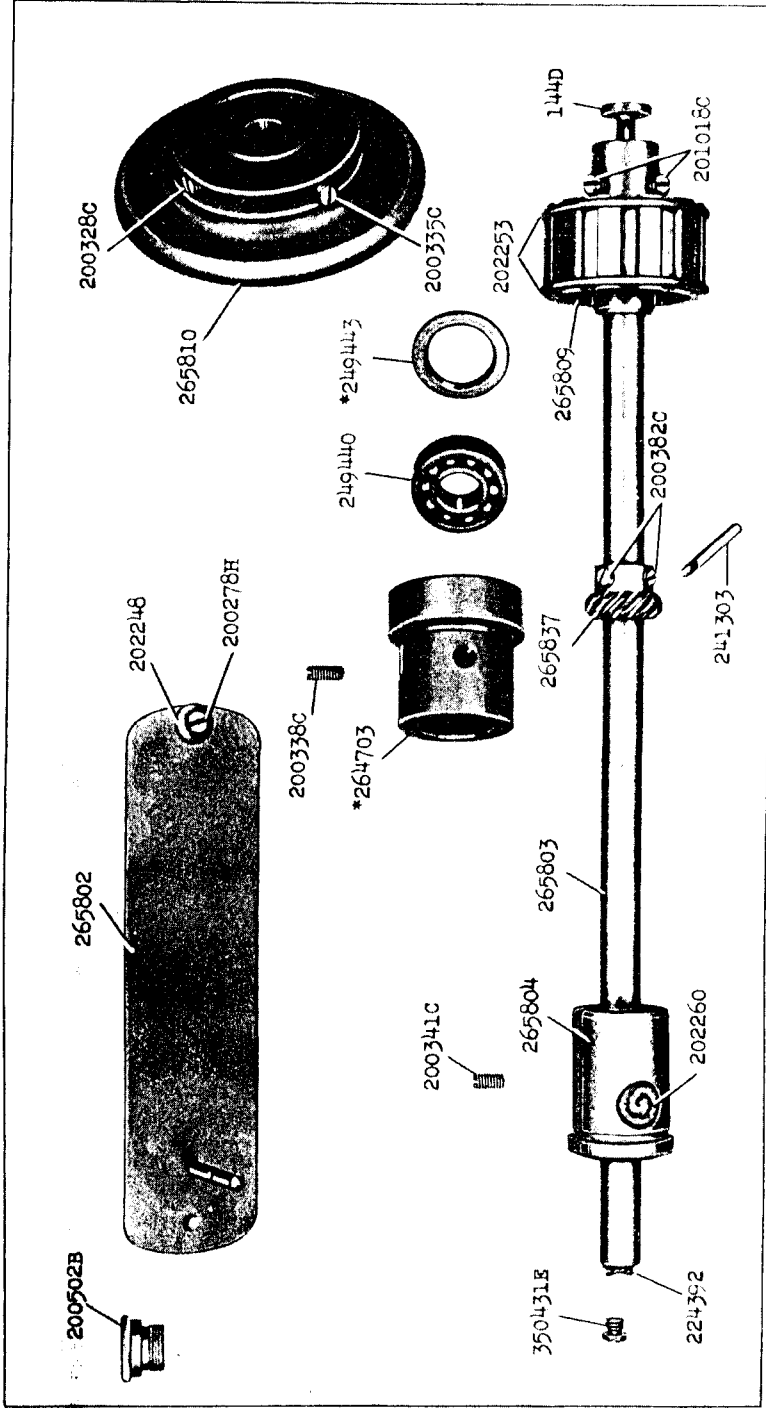
15974 - 3/8



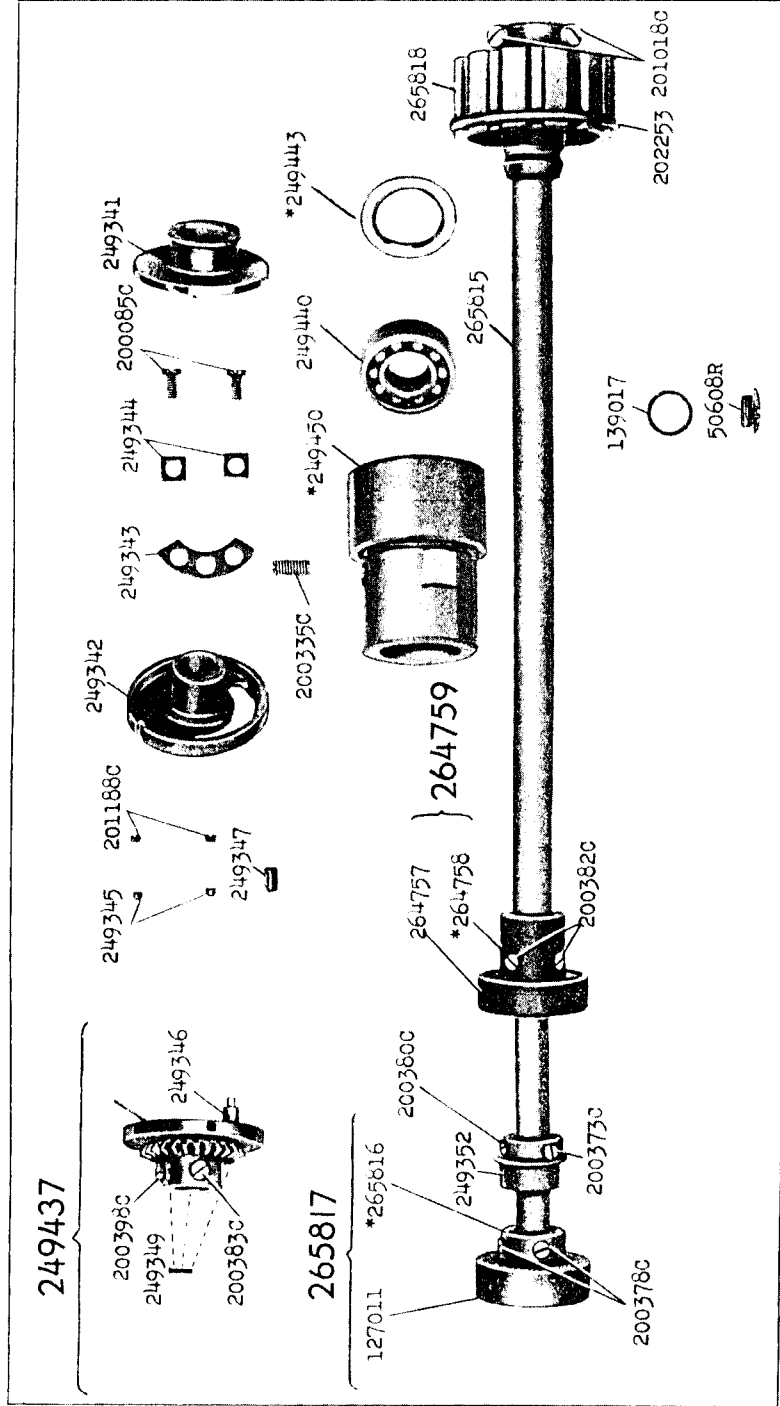
16518



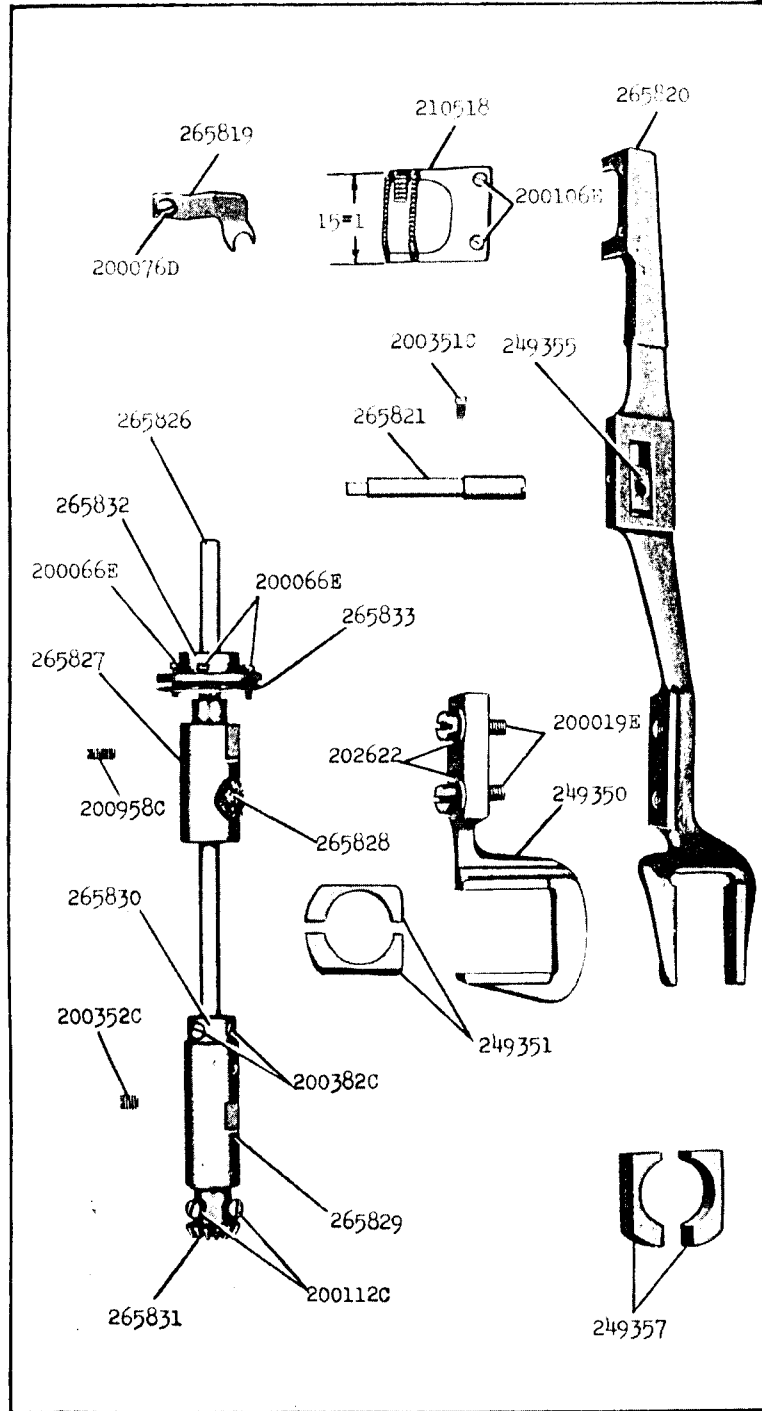
17301 - 3/8



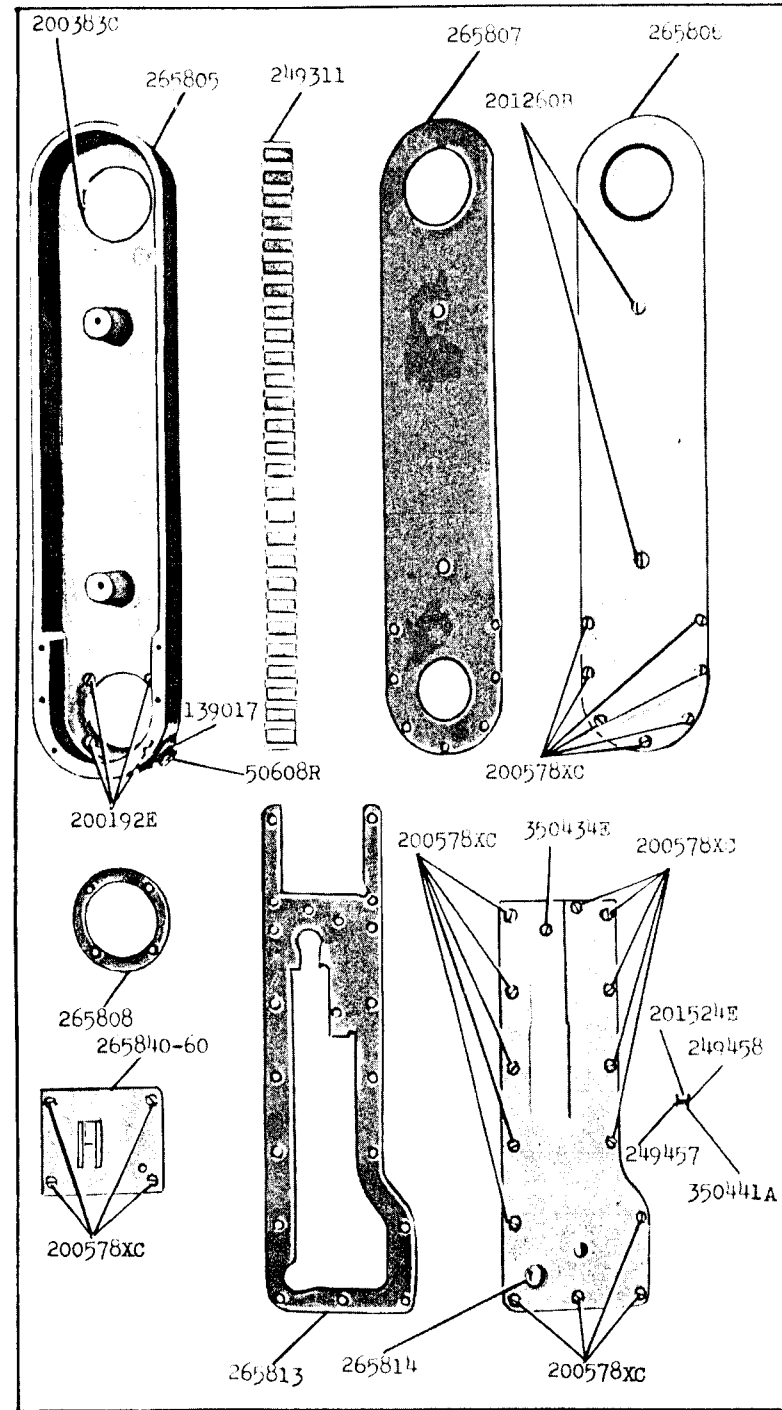
17302 - 3/8



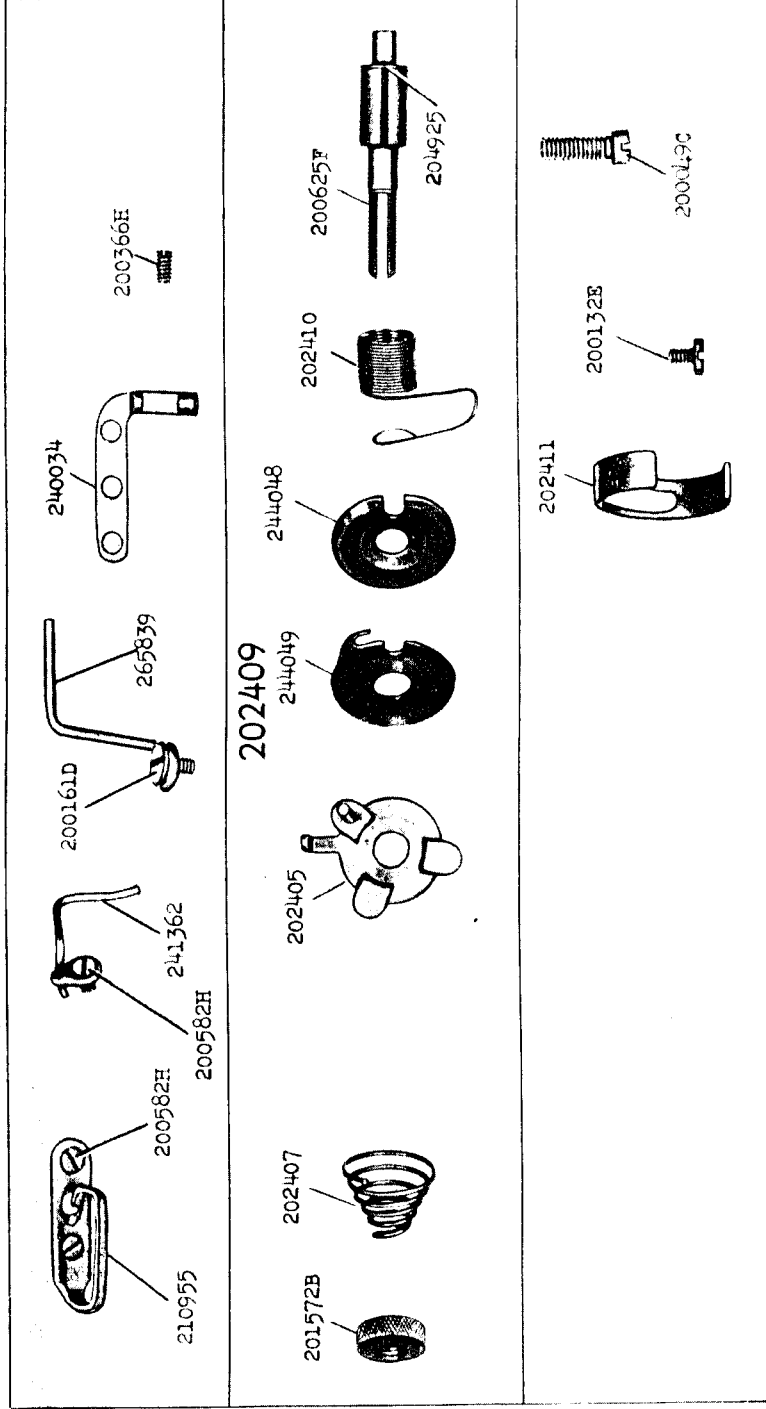
17303 - 3/8



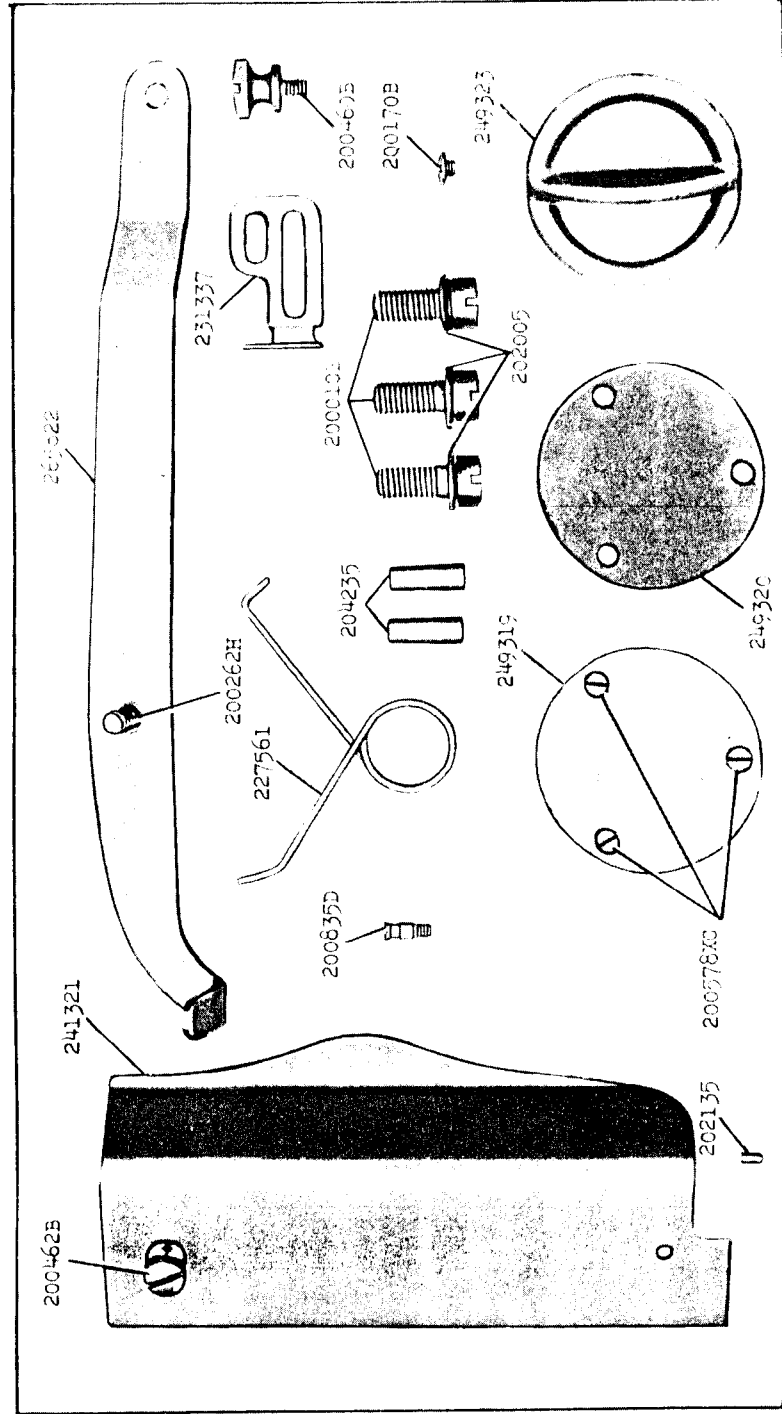
17304 - 1/5



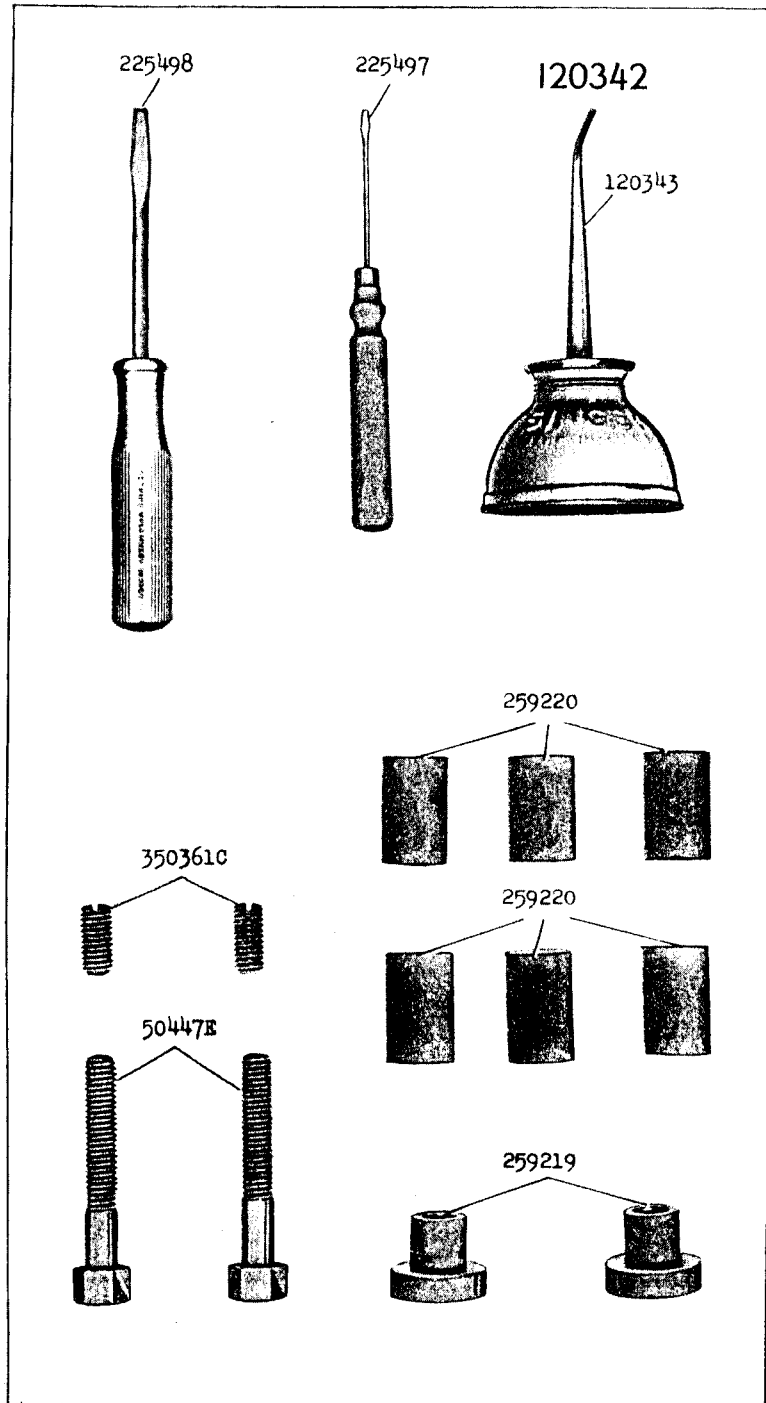
17307 - 3/4



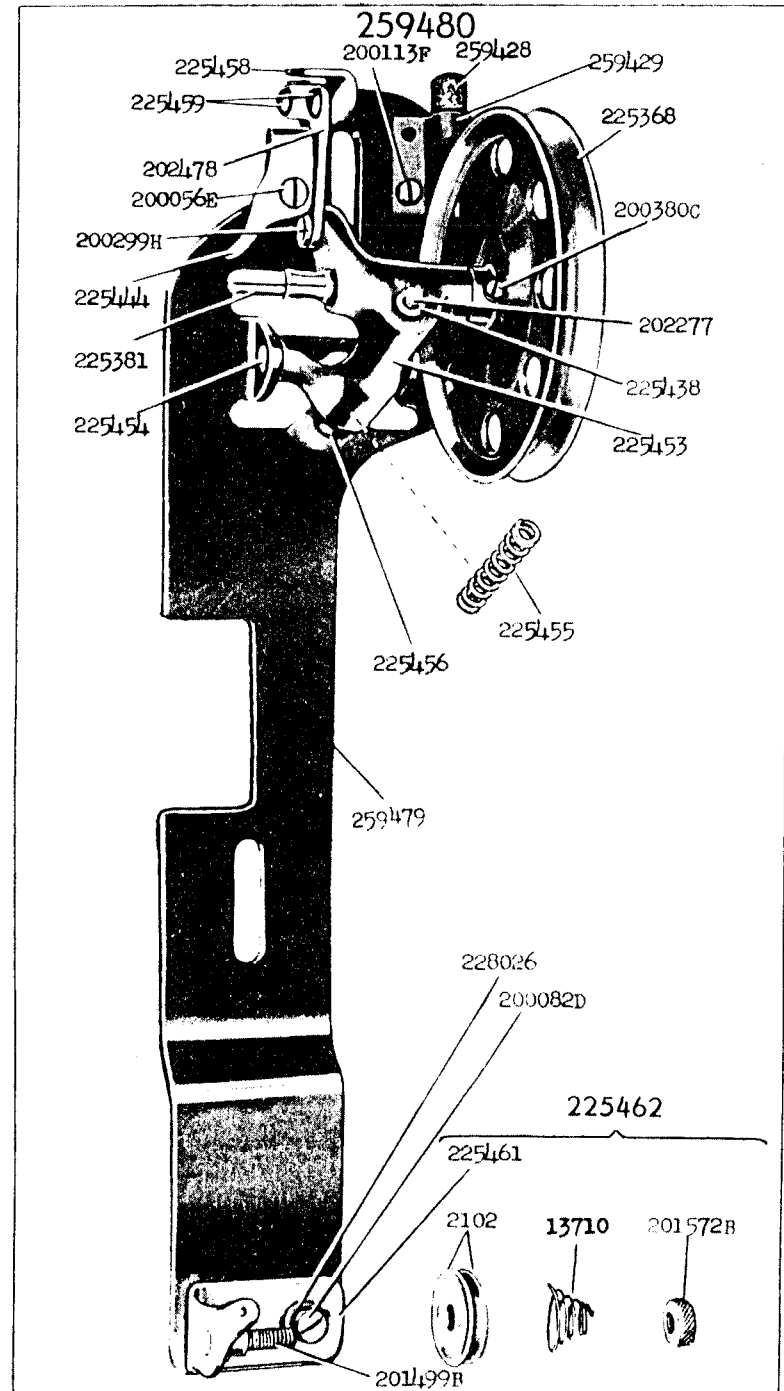
17308 - 1/2



17309 - 3/8

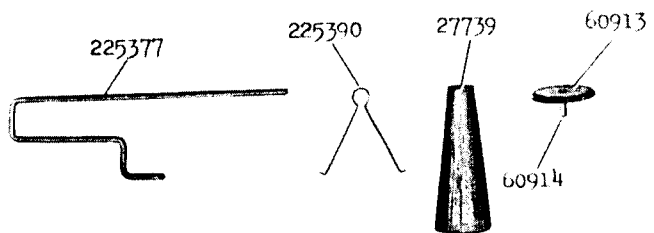
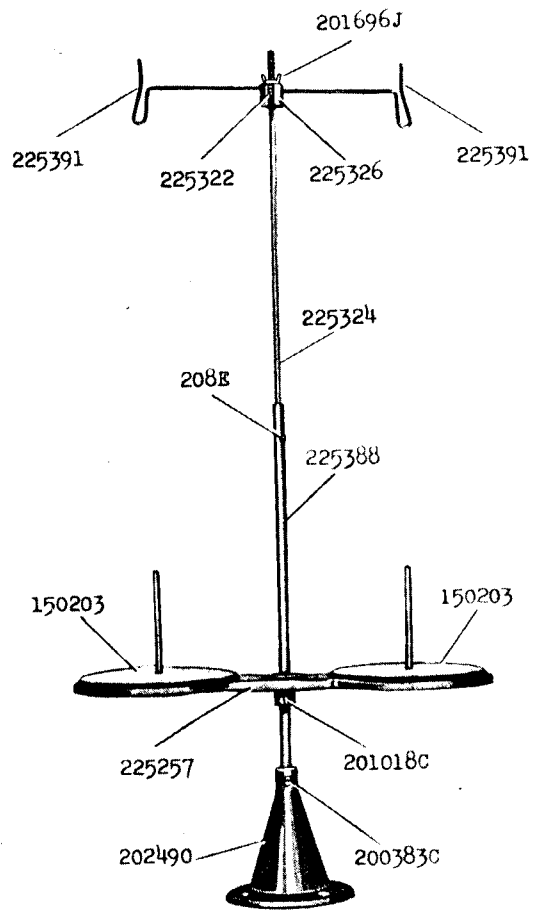


17310 - 1/2



17900 - 1/6

225258



RECEIVED
PER
MAR 26 1941
SINGER SEWING MACHINE CO.
GLOVERSVILLE, N. Y.